



Recommendation ITU-R M.1457-12
(02/2015)

**Detailed specifications of the terrestrial
radio interfaces of International Mobile
Telecommunications-2000 (IMT-2000)**

M Series
**Mobile, radiodetermination, amateur
and related satellite services**



Foreword

The role of the Radiocommunication Sector is to ensure the rational, equitable, efficient and economical use of the radio-frequency spectrum by all radiocommunication services, including satellite services, and carry out studies without limit of frequency range on the basis of which Recommendations are adopted.

The regulatory and policy functions of the Radiocommunication Sector are performed by World and Regional Radiocommunication Conferences and Radiocommunication Assemblies supported by Study Groups.

Policy on Intellectual Property Right (IPR)

ITU-R policy on IPR is described in the Common Patent Policy for ITU-T/ITU-R/ISO/IEC referenced in Annex 1 of Resolution ITU-R 1. Forms to be used for the submission of patent statements and licensing declarations by patent holders are available from <http://www.itu.int/ITU-R/go/patents/en> where the Guidelines for Implementation of the Common Patent Policy for ITU-T/ITU-R/ISO/IEC and the ITU-R patent information database can also be found.

Series of ITU-R Recommendations

(Also available online at <http://www.itu.int/publ/R-REC/en>)

| Series | Title |
|------------|--|
| BO | Satellite delivery |
| BR | Recording for production, archival and play-out; film for television |
| BS | Broadcasting service (sound) |
| BT | Broadcasting service (television) |
| F | Fixed service |
| M | Mobile, radiodetermination, amateur and related satellite services |
| P | Radiowave propagation |
| RA | Radio astronomy |
| RS | Remote sensing systems |
| S | Fixed-satellite service |
| SA | Space applications and meteorology |
| SF | Frequency sharing and coordination between fixed-satellite and fixed service systems |
| SM | Spectrum management |
| SNG | Satellite news gathering |
| TF | Time signals and frequency standards emissions |
| V | Vocabulary and related subjects |

Note: This ITU-R Recommendation was approved in English under the procedure detailed in Resolution ITU-R 1.

Electronic Publication
Geneva, 2015

RECOMMENDATION ITU-R M.1457-12*

Detailed specifications of the terrestrial radio interfaces of International Mobile Telecommunications-2000 (IMT-2000)**

(2000-2001-2004-2005-2006-2007-2009-2010-2011-2013-2015)

TABLE OF CONTENTS

| | Page |
|---|-------------|
| 1 Introduction | 2 |
| 2 Scope | 3 |
| 3 Related Recommendations | 4 |
| 4 Considerations | 5 |
| 4.1 Radio interfaces for IMT-2000 | 5 |
| 4.2 Incorporation of externally developed specification material | 5 |
| 5 Recommendations | 6 |
| 5.1 IMT-2000 CDMA Direct Spread | 6 |
| 5.1.1 Overview of the radio interface | 6 |
| 5.1.2 Detailed specification of the radio interface | 36 |
| 5.2 IMT-2000 CDMA Multi-Carrier | 491 |
| 5.2.1 Overview of the set of radio interface FDD/TDD components | 491 |
| 5.2.2 Detailed specification of the set of radio interface FDD/TDD components ... | 517 |
| 5.3 IMT-2000 CDMA TDD | 613 |
| 5.3.1 Overview of the radio interface | 613 |
| 5.3.2 Detailed specification of the radio interface | 647 |

* The Administration of China did not agree to the approval of the revision of this Recommendation for inclusion of OFDMA TDD WMAN during the Radiocommunication Assembly (Geneva, 2007) (RA-07). The reasons can be found in the summary record of RA-07.

** The recommended detailed specifications of the radio interfaces of IMT-2000 are contained in the core global specifications which form part of this Recommendation by means of references to uniform resource locators (URLs) at the ITU Web site. For those cases where recognized external organizations have converted these core global specifications or parts thereof into their own approved standards, a reference to the corresponding external text is included in this Recommendation by means of URLs at their Web sites. Such references do not give the external texts the status, as stand-alone texts, of ITU Recommendations. Any reference to an external text is accurate at the time of approval of this Recommendation. Since the external text may be revised, users of this Recommendation are advised to contact the source of the external text to determine whether the reference is still current. This Recommendation will be subject to periodic updates that will be coordinated with the appropriate recognized external organizations responsible for the external texts that are referenced.

| | | |
|-------|--|------|
| 5.4 | IMT-2000 TDMA Single-Carrier | 1064 |
| 5.4.1 | Overview of the radio interface | 1064 |
| 5.4.2 | Detailed specification of the radio interface | 1084 |
| 5.5 | IMT-2000 FDMA/TDMA | 1261 |
| 5.5.1 | Overview of the radio interface | 1261 |
| 5.5.2 | Detailed specification of the radio interface | 1274 |
| 5.6 | IMT-2000 OFDMA TDD WMAN | 1280 |
| 5.6.1 | Overview of the set of radio interface FDD/TDD components | 1280 |
| 5.6.2 | Detailed specification of the set of radio interface FDD/TDD components | 1301 |
| 6 | Recommendations on unwanted emission limits | 1312 |
| 6.1 | Terrestrial radio interfaces | 1312 |

1 Introduction¹

IMT-2000, third generation mobile systems started service around the year 2000, and provide access by means of one or more radio links to a wide range of telecommunications services supported by the fixed telecommunication networks (e.g. PSTN/ISDN/Internet protocol (IP)) and to other services specific to mobile users. Since then, IMT-2000 has been continually enhanced.

A range of mobile terminal types is encompassed, linking to terrestrial and/or satellite-based networks, and the terminals may be designed for mobile or fixed use.

Key features of IMT-2000 are:

- high degree of commonality of design worldwide;
- compatibility of services within IMT-2000 and with the fixed networks;
- high quality;
- small terminal for worldwide use;
- worldwide roaming capability;
- capability for multimedia applications, and a wide range of services and terminals.

IMT-2000 systems are defined by a set of interdependent Recommendations of which this is a member.

This Recommendation forms the final part of the process of specifying the radio interfaces of IMT-2000, as defined in Recommendation ITU-R M.1225. It identifies the detailed specifications for the IMT-2000 radio interfaces.

Besides Recommendation ITU-R M.1457, there are a number of other ITU-R Recommendations for IMT (Recommendations ITU-R M.1036, ITU-R M.1580, ITU-R M.1581, ITU-R M.1579, etc.) that provide relevant implementation aspects enabling the most effective and efficient use and deployment

¹ Abbreviations used in this Recommendation are listed in Annex 1.

of systems – while minimizing the impact on other systems or services in these and in adjacent bands – and facilitating the growth of IMT systems².

This Recommendation has been developed based on consideration of the results of a defined evaluation process employed by the ITU-R on IMT-2000 radio proposals that have been submitted in response to a set of defined requirements. Further consideration was given to consensus building, recognizing the need to minimize the number of different radio interfaces and maximize their commonality keeping in mind the end-user needs, while incorporating the best possible performance capabilities in the various IMT-2000 radio operating environments.

Revisions to this Recommendation have been developed jointly by the ITU and the radio interface technology proponent organizations, global partnership projects and standards development organizations. Updates, enhancements and additions to the radio interfaces incorporated in this Recommendation have undergone a defined process of development and review to ensure consistency with the original goals and objectives established for IMT-2000 while acknowledging the obligation to accommodate the changing requirements of the global marketplace.

By updating the existing technologies, harmonizing existing interfaces, and entertaining new mechanisms, IMT-2000 remains at the forefront of mobile radio technology.

2 Scope

This Recommendation identifies the IMT-2000 terrestrial radio interface specifications, based on the output of activities outside ITU.

These radio interfaces support the features and design parameters of IMT-2000, including the capability to ensure worldwide compatibility, international roaming, and access to high-speed data services.

This Recommendation is complemented by other ITU-R Recommendations and Reports on IMT-2000 that provide additional details on a number of aspects including frequency arrangements and unwanted emission characteristics.

² Recommendations ITU-R M.1457 and ITU-R M.2012 are two separate, independent, and self-contained Recommendations, each one with a specific Scope. Both Recommendations will evolve independently, and there could be some overlap reflected by commonality in content between the two documents.

3 Related Recommendations

The existing IMT-2000 Recommendations that are considered to be of importance in the development of this particular Recommendation are as follows:

- Recommendation ITU-R M.687: International Mobile Telecommunications-2000 (IMT-2000)
- Recommendation ITU-R M.816: Framework for services supported on International Mobile Telecommunications-2000 (IMT-2000)
- Recommendation ITU-R M.817: International Mobile Telecommunications-2000 (IMT-2000) – Network architectures
- Recommendation ITU-R M.819: International Mobile Telecommunications-2000 (IMT-2000) for developing countries
- Recommendation ITU-R M.1034: Requirements for the radio interface(s) for International Mobile Telecommunications-2000 (IMT-2000)
- Recommendation ITU-R M.1035: Framework for the radio interface(s) and radio sub-system functionality for International Mobile Telecommunications-2000 (IMT-2000)
- Recommendation ITU-R M.1036: Frequency arrangements for implementation of the terrestrial component of International Mobile Telecommunications (IMT) in the bands identified for IMT in the Radio Regulations (RR)
- Recommendation ITU-R M.1224: Vocabulary of terms for International Mobile Telecommunications (IMT)
- Recommendation ITU-R M.1225: Guidelines for evaluation of radio transmission technologies for IMT-2000
- Recommendation ITU-R M.1308: Evolution of land mobile systems towards IMT-2000
- Recommendation ITU-R M.1311: Framework for modularity and radio commonality within IMT-2000
- Recommendation ITU-R M.1579: Global circulation of IMT-2000 terminals
- Recommendation ITU-R M.1580: Generic unwanted emission characteristics of base stations using the terrestrial radio interfaces of IMT-2000
- Recommendation ITU-R M.1581: Generic unwanted emission characteristics of mobile stations using the terrestrial radio interfaces of IMT-2000
- Recommendation ITU-R M.1850: Detailed specifications of the radio interfaces for the satellite component of International Mobile Telecommunications-2000 (IMT-2000)
- Recommendation ITU-R M.2012: Detailed specifications of the terrestrial radio interfaces of International Mobile Telecommunications Advanced (IMT-Advanced)
- Recommendation ITU-R SM.329: Unwanted emissions in the spurious emissions
- Recommendation ITU-T Q.1701: Framework of IMT-2000 networks
- Recommendation ITU-T Q.1711: Network functional model for IMT-2000
- Recommendation ITU-T Q.1721: Information flows for IMT-2000 capability set 1

Recommendation ITU-T Q.1731: Radio-technology independent requirements for IMT-2000 layer 2 radio interface

Handbook on Land Mobile (including Wireless Access), Volume 2: Principles and Approaches on Evolution to IMT-2000/FPLMTS.

4 Considerations

4.1 Radio interfaces for IMT-2000

IMT-2000 consists of both terrestrial component and satellite component radio interfaces. In particular, the terrestrial radio interfaces are fully defined by information supplied within this Recommendation and by information incorporated by reference to external materials. The satellite radio interfaces are fully defined by information supplied with Recommendation ITU-R M.1850.

The radio interfaces for the terrestrial component are described in detail in § 5.

4.2 Incorporation of externally developed specification material

IMT-2000 is a system with global development activity and the IMT-2000 radio interface specifications identified in this Recommendation have been developed by the ITU in collaboration with the radio interface technology proponent organizations, global partnership projects and standards development organizations (SDOs). The ITU has provided the global and overall framework and requirements, and has developed the core global specifications jointly with these organizations. The detailed standardization has been undertaken within the recognized external organization (see Note 1), which operate in concert with the radio interface technology proponent organizations and global partnership projects. This Recommendation therefore makes extensive use of references to externally developed specifications.

NOTE 1 – A “recognized organization” in this context is defined to be a recognized SDO that has legal capacity, a permanent secretariat, a designated representative, and open, fair, and well-documented working methods.

This approach was considered to be the most appropriate solution to enable completion of this Recommendation within the aggressive schedules set by the ITU and by the needs of administrations, operators and manufacturers.

This Recommendation has therefore been constructed to take full advantage of this method of work and to allow the global standardization time-scales to be maintained. The main body of this Recommendation has been developed by the ITU, with references within each radio interface pointing to the location of the more detailed information. The sub-sections containing this detailed information have been developed by the ITU and the recognized external organizations. Such use of referencing has enabled timely completion of the high-level elements of this Recommendation, with change control procedures, transposition (conversion of the core specifications into SDO deliverables) and public enquiry procedures being undertaken within the recognized external organization.

The structure of the detailed specifications received from the recognized external organization has generally been adopted unchanged, recognizing the need to minimize duplication of work, and the need to facilitate and support an on-going maintenance and update process.

This general agreement, that the detailed specifications of the radio interface should to a large extent be achieved by reference to the work of recognized external organizations, highlights not only the ITU’s significant role as a catalyst in stimulating, coordinating and facilitating the development of advanced telecommunications technologies, but also its forward-looking and flexible approach to the development of this and other telecommunications standards for the 21st century.

5 Recommendations

The Radiocommunication Assembly recommends that the radio interfaces given in §§ 5.1 to 5.6 should be those of the terrestrial component of IMT-2000.

The terrestrial radio interface sections are identified as:

- IMT-2000 CDMA Direct Spread.
- IMT-2000 CDMA Multi-Carrier.
- IMT-2000 CDMA TDD.
- IMT-2000 TDMA Single-Carrier.
- IMT-2000 FDMA/TDMA.
- IMT-2000 OFDMA TDD WMAN.

An overview of each radio interface is provided in §§ 5.1.1, 5.2.1, 5.3.1, 5.4.1, 5.5.1 and 5.6.1.

The detailed information provided and/or referenced in §§ 5.1.2, 5.2.2, 5.3.2, 5.4.2, 5.5.2 and 5.6.2 is recommended as the complete definition of the radio interfaces of the terrestrial component of IMT-2000.

5.1 IMT-2000 CDMA Direct Spread

5.1.1 Overview of the radio interface

5.1.1.1 Introduction

The IMT-2000 radio-interface specifications for CDMA Direct Spread technology are developed by a partnership of SDOs (see Note 1). This radio interface is called Universal Terrestrial Radio Access (UTRA) FDD or Wideband CDMA (WCDMA).

NOTE 1 – Currently, these specifications are developed within the third generation partnership project (3GPP) where the participating SDOs are the Association of Radio Industries and Businesses (ARIB), China Communications Standards Association (CCSA), the European Telecommunications Standards Institute (ETSI), Alliance for Telecommunications Industry Solutions (ATIS Committee WTSC), Telecommunications Technology Association (TTA) and Telecommunication Technology Committee (TTC).

These radio-interface specifications have been developed with the strong objective of harmonization with the TDD component (see § 5.3) to achieve maximum commonality. This was achieved by harmonization of important parameters of the physical layer. Furthermore, a common set of protocols in the higher layers is specified for both FDD and TDD.

In the development of this radio interface the CN specifications are based on an evolved GSM-MAP. However, the specifications include the necessary capabilities for operation with an evolved ANSI-41-based CN.

The radio-access scheme is Direct-Sequence CDMA (DS-CDMA) with information spread over approximately 5 MHz bandwidth using a chip rate of 3.84 Mchip/s. The radio interface is defined to carry a wide range of services to efficiently support both circuit-switched services (e.g. PSTN- and ISDN-based networks) as well as packet-switched services (e.g. IP-based networks). A flexible radio protocol has been designed where several different services such as speech, data and multimedia can simultaneously be used by a user and multiplexed on a single carrier. The defined radio-bearer services provide support for both real-time and non-real-time services by employing transparent and/or

non-transparent data transport. The quality of service (QoS) can be adjusted in terms such as delay, bit error probability, and frame error ratio (FER).

The radio-interface specification includes enhanced features for High-Speed Downlink Packet Access (HSDPA), Multiple Input Multiple Output Antennas (MIMO), higher order modulation (64-QAM) and improved L2 support for high data rates allowing for downlink packet-data transmission with peak data rates approaching 42 Mbit/s and simultaneous high-speed packet data and other services such as speech on the single carrier. Features for enhanced uplink have been introduced, allowing for improved capacity and coverage, higher data rates, and reduced delay and delay variance for the uplink. The addition of higher order modulation (16-QAM) for the enhanced uplink, allows for peak data rates up to 11 Mbit/s. For efficient support of always-on connectivity whilst enabling battery saving in the UE and further increasing the air interface capacity, the specifications also include the Continuous Packet Connectivity feature (CPC). Similar to the downlink, the improved L2 support for uplink is supported to allow efficient support of high data rates and reduced L2 overhead. For fast state transitions between different states, the specifications also include Enhanced CELL_FACH state, supporting both HSDPA and Enhanced Uplink operation. The CS voice services are supported over HSPA. DC-HSDPA provides support for HSDPA operation on two adjacent carriers in combination with 64-QAM, supporting increased average user throughput and capacity as well as peak data rates reaching up to 42 Mbit/s. HSDPA mobility is further improved by the HS-DSCH serving cell change enhancement feature. The UE battery saving is further enhanced by introduction of DRX support to CELL_FACH state.

In the downlink, further enhancements of DC-HSDPA in combination with the multiple input multiple output antennas (MIMO) feature support peak data rates reaching up to 84 Mbit/s. Also DC-HSDPA combined with 64-QAM makes it possible to operate on two frequencies not being in the same band, but to the same terminal, further enabling operation with DC-HSDPA in different spectrum arrangements, while the introduction of 4C-HSDPA extends the multicarrier operation up to four carriers. Non-contiguous 4C-HSDPA and HSDPA dual band multi carrier provides additional flexibility to allow operators to fully utilize the allocated spectrum by configuring multicarrier frequencies in different bands.

As a further step in the multicarrier evolution, HSDPA supports eight carriers with peak rates reaching up to 336 Mbit/s. Multipoint transmission is introduced to support simultaneous transmission from up to four cells on up to two frequencies, with the potential to increase cell-edge performance. Both intra- and inter-NodeB multiframe are supported. The introduction of four branch MIMO transmission for HSDPA increases the downlink spectral efficiency up to 16.4 bits/s/Hz. Simultaneous transmission of up to four layers on up to four carriers to one UE is supported, offering a peak rate at 336 Mbit/s. Coverage gains are also experienced by means of enhanced beamforming capability.

In addition to these downlink enhancements for CELL_DCH state, CELL_FACH state has further improved the efficiency of downlink transmissions by allowing the UE to request a uplink common E-DCH resource and provide the CQI and ACK/NACK information.

In the uplink, the dual cell feature is also applicable to two adjacent frequencies in the same band with enhanced uplink in order to support peak data rates reaching up to 23 Mbit/s.

The uplink spectral efficiency is significantly increased by the introduction of MIMO with 64QAM for HSUPA, offering peak rates up to 34.5 Mbit/s. Uplink coverage improvements are facilitated by the introduction of uplink transmit diversity for HSPA. Both open- and closed-loop modes are supported.

Uplink efficiency and resource utilization in the uplink for CELL_FACH state have also been achieved by means of concurrent deployment of 2 and 10 ms E-DCH TTI in a cell, per HARQ process activation and deactivation and TTI alignment for 2 ms TTI common E-DCH resources. Fallback to

R99 PRACH i.e. explicitly indicating the UE to transmit on PRACH, also allows maximizing the resource utilization of the network resources. Interference control in CELL_FACH state is also improved by means of a common E-RGCH channel.

The radio access network architecture also provides support for multimedia broadcast and multicast services, i.e. allowing for multimedia content distribution to groups of users over a point-to-multipoint bearer. More efficient provision of MBMS is supported by Single Frequency Network (SFN) operation with MBSFN.

CDMA Direct Spread was originally specified for the IMT-2000 bands identified in WARC-92 and using 1 920-1 980 MHz as uplink and 2 110-2 170 MHz as downlink. At WRC-2000 additional spectrum for IMT-2000 was identified and subsequently as a complement to 3GPP Release 99 the relevant specifications have been updated to also include the 3.5 GHz, 2.6 GHz, 1 900 MHz, 1 800 MHz, 1 700 MHz, 1 500 MHz, 900 MHz, 850 MHz, and 800 MHz bands as well as a pairing of parts, or whole, of 1 710-1 770 MHz as uplink with whole, or parts, of 2 110-2 170 MHz as downlink. In addition a more general study has been performed considering the viable deployment of CDMA Direct Spread in additional and diverse spectrum arrangements.

Evolved UTRA (E-UTRA) has been introduced for the evolution of the radio-access technology towards a high-data-rate, low-latency and packet-optimized radio-access technology. Note that in 3GPP terminology, the term E-UTRA (Evolved-UTRA) is also used to indicate the LTE radio interface.

The downlink transmission scheme is based on conventional OFDM to provide a high degree of robustness against channel frequency selectivity while still allowing for low-complexity receiver implementations also at very large bandwidths.

The uplink transmission scheme is based on SC-FDMA (Single Carrier-FDMA), more specifically Discrete Fourier Transform-spread OFDM (DFTS-OFDM). It also supports multi-cluster assignment of DFTS-OFDM. The use of DFTS-OFDM transmission for the uplink is motivated by the lower Peak-to-Average Power Ratio (PAPR) of the transmitted signal compared to conventional OFDM. This allows for more efficient usage of the power amplifier at the terminal, which translates into an increased coverage and/or reduced terminal power consumption. The uplink numerology is aligned with the downlink numerology.

Channel coding is based on rate-1/3 Turbo coding and is complemented by Hybrid-ARQ with soft combining to handle decoding errors at the receiver side. Data modulation supports QPSK, 16QAM, and 64QAM for both the downlink and the uplink.

The E-UTRA supports bandwidths from approximately 1.4 MHz to 100 MHz, yielding peak data rates up to roughly 3 Gbit/s in the downlink and 1.5 Gbit/s in the uplink. Carrier aggregation, i.e. the simultaneous transmission of multiple component carriers in parallel to/from the same terminal, is used to support bandwidths larger than 20 MHz. Component carriers do not have to be contiguous in frequency and can even be located in different frequency bands in order to enable exploitation of fragmented spectrum allocations by means of spectrum aggregation. Carrier Aggregation has been further enhanced in Rel-11 to support additional deployment scenarios. The enhancements include the functionality to support multiple timing advancements.

Channel-dependent scheduling in both the time and frequency domains is supported for both downlink and uplink with the base-station scheduler being responsible for (dynamically) selecting the transmission resource as well as the data rate. The basic operation is dynamic scheduling, where the base-station scheduler takes a decision for each 1 ms Transmission Time Interval (TTI), but there is also a possibility for semi-persistent scheduling. Semi-persistent scheduling enables transmission

resources and data rates to be semi-statically allocated to a given User Equipment (UE) for a longer time period than one TTI to reduce the control-signalling overhead.

Multi-antenna transmission schemes are an integral part of this radio interface. Multi-antenna precoding with dynamic rank adaptation supports both spatial multiplexing (single-user MIMO) and beam-forming. Spatial multiplexing with up to eight layers in the downlink and four layers in the uplink is supported. Multi-user MIMO, where multiple users are assigned the same time-frequency resources, is also supported. Finally, transmit diversity based on Space-Frequency Block Coding (SFBC) or a combination of SFBC and Frequency Switched Transmit Diversity (FSTD) is supported. Coordinated MultiPoint (CoMP) operation is also supported, where multiple transmission points or reception points are coordinated in their transmission or reception respectively.

Inter-cell interference coordination (ICIC), where neighbour cells exchange information aiding the scheduling in order to reduce interference, is supported. ICIC can be used for homogenous deployments with non-overlapping cells of similar transmission power, as well as for heterogeneous deployments where a higher-power cell overlays one or several lower-power nodes. In order to increase the potential of cell range expansion, Rel-11 added functionality for terminal-side interference mitigation of reference and synchronization signals as well as the broadcast channel.

Relaying functionality is included. The relay node (RN, Relay Node) appears as a conventional base station (e-Node B) to terminals but is wirelessly backhauled to the remaining part of the radio-access network (RN connects to an eNB called Donor eNB, DeNB) using a modified version of the E-UTRA radio interface.

The Self Organizing Networks (SON) concept has been introduced and includes several different functions from eNB activation to radio parameter tuning for self-configuration/self-optimization functions. SON includes eNB self-configuration functions, that is Dynamic S1-MME/X2 interface configuration, PCI self-configuration, Automatic Neighbour Relations (ANR), PCI selection, and eNB self-optimisation functions, that is RACH optimisation, Mobility Load Balancing (MLB) and Mobility Robustness Optimisation (MRO).

SON has been extended to UTRAN as well, with the introduction of ANR UTRAN function. Inter-RAT self-configuration/optimisation functions are defined as well.

E-UTRA supports a full set of services ranging from real-time to non real-time packet data services, including optimizations for support of emergency call VoIP and support for location services.

Further, the technology includes RF requirements for multicarrier and multi-RAT base stations (MSR) enabling support of all 3GPP based technologies operating in the same base station equipment.

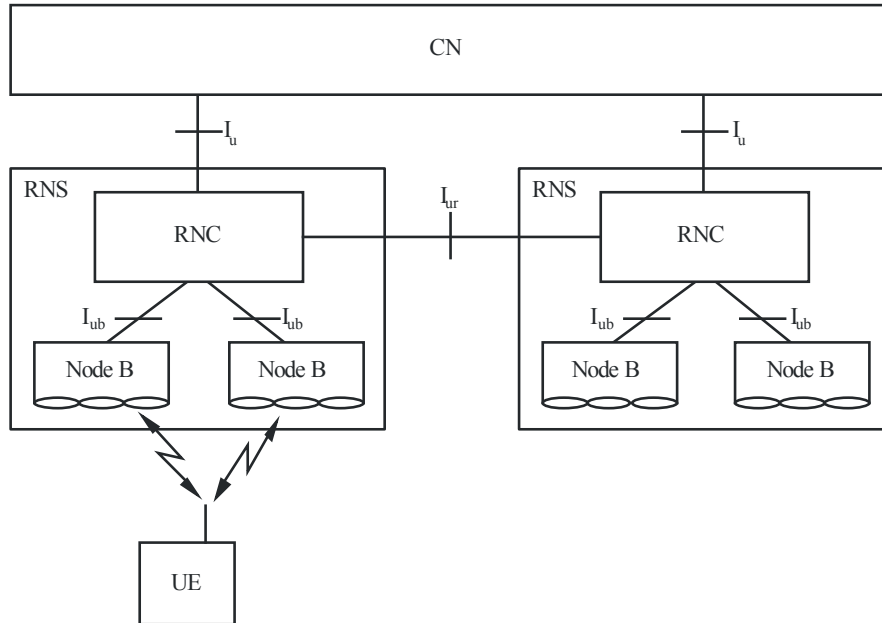
Features are also included in support of Minimization of Drive Tests, by means of collection of UE-specific measurements using Control Plane architecture, for both UTRAN and E-UTRAN.

Network Based Positioning Support has been introduced by means of uplink positioning method, where the UE position is estimated based on timing measurements of uplink radio signals taken at different LMUs (Location Measurement Unit), along with knowledge of the geographical coordinates of the LMUs. The LMU makes measurements and communicates these measurements to an E-SMLC (Enhanced Serving Mobile Location Centre). Both standalone LMU and LMU integrated into an eNB are supported.

5.1.1.2 Radio access network architecture

The overall architecture of the Universal Terrestrial Radio Access Network (UTRAN) is shown in Fig. 1.

FIGURE 1
UTRAN architecture
 (Cells are indicated by ellipses)



M.1457-01

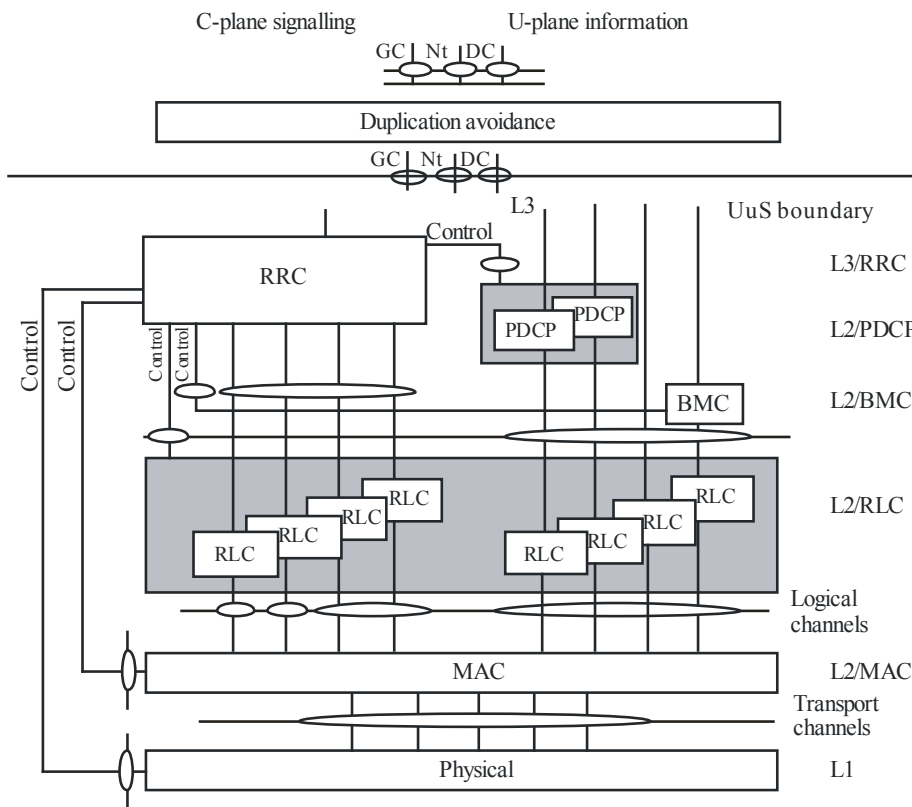
The architecture of the radio access network consists of a set of radio network subsystems (RNS) connected to the CN through the I_u interface. An RNS consists of a radio network controller (RNC) and one or more entities called Node B. Node B is connected to the RNC through the I_{ub} interface. Each Node B can handle one or more cells. The RNC is responsible for the handover decisions that require signalling to the user equipment (UE). In case macro diversity between different Node Bs is to be supported, the RNC comprises a combining/splitting function to support this. Node B can comprise an optional combining/splitting function to support macro diversity within a Node B. The RNCs of the RNS can be interconnected through the I_{ur} interface. I_u and I_{ur} are logical interfaces, i.e. the I_{ur} interface can be conveyed over a direct physical connection between RNCs or via any suitable transport network.

UTRAN architecture includes the HNB GW entity, in case of HNBs deployment. The HNB-GW appears to the CN as an RNC and serves as a concentrator of HNB connections.

Figure 2 shows the radio interface protocol architecture for the radio access network. On a general level, the protocol architecture is similar to the current ITU-R protocol architecture as described in Recommendation ITU-R M.1035. Layer 2 (L2) is split into the following sub-layers; radio link control (RLC), medium access control (MAC), Packet Data Convergence Protocol (PDCP) and Broadcast/Multicast Control (BMC). Layer 3 (L3) and RLC are divided into control (C-plane) and user (U-plane) planes. In the C-plane, L3 is partitioned into sub-layers where the lowest sub-layer, denoted as radio resource control (RRC), interfaces with L2. The higher-layer signalling such as mobility management (MM) and call control (CC) are assumed to belong to the CN. There are no L3 elements in this radio interface for the U-plane.

FIGURE 2

Radio interface protocol architecture of the RRC sublayer (L2 and L1)



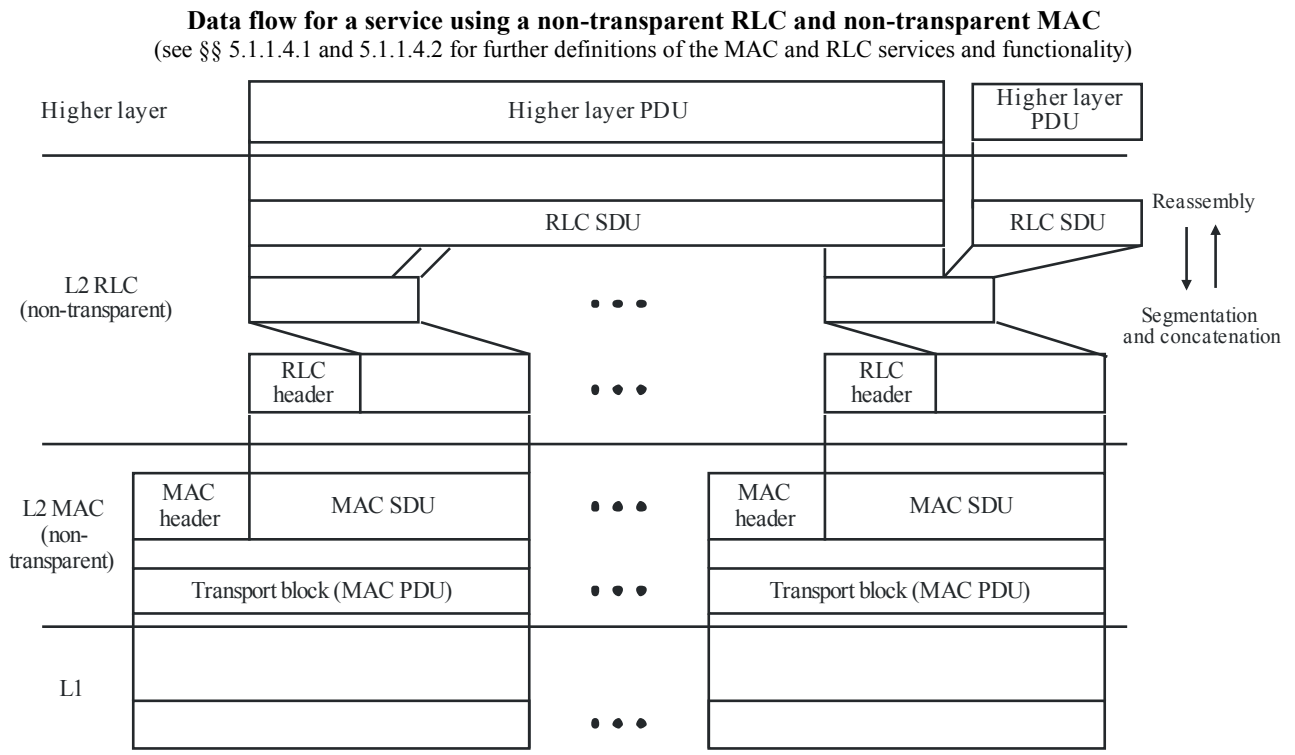
M.1457-02

Each block in Fig. 2 represents an instance of the respective protocol. Service access points (SAPs) for peer-to-peer communication are marked with circles at the interface between sub-layers. The SAP between MAC and the physical layer provides the transport channels. A transport channel is characterized by how the information is transferred over the radio interface (see § 5.1.1.3.1 for an overview of the types of transport channels defined). The SAPs between RLC and the MAC sub-layer provide the logical channels. A logical channel is characterized by the type of information that is transferred over the radio interface. The logical channels are divided into control channels and traffic channels. The different types of logical channels are not further described in this overview. In the C-plane, the interface between RRC and higher L3 sub-layers (CC, MM) is defined by the general control (GC), notification (Nt) and dedicated control (DC) SAPs. These SAPs are not further discussed in this overview.

Also shown in Fig. 2 are connections between RRC and MAC as well as RRC and L1 providing local inter-layer control services (including measurement results). An equivalent control interface exists between RRC and the RLC sub-layer. These interfaces allow the RRC to control the configuration of the lower layers. For this purpose separate control SAPs are defined between RRC and each lower layer (RLC, MAC, and L1).

Figure 3 shows the general structure and some additional terminology definitions of the channel formats at the various sub-layer interfaces indicated in Fig. 2. The figure indicates how higher layer service data units (SDUs) and protocol data units (PDUs) are segmented and multiplexed to transport blocks to be further treated by the physical layer (e.g. CRC handling). The transmission chain of the physical layer is exemplified in the next section.

FIGURE 3



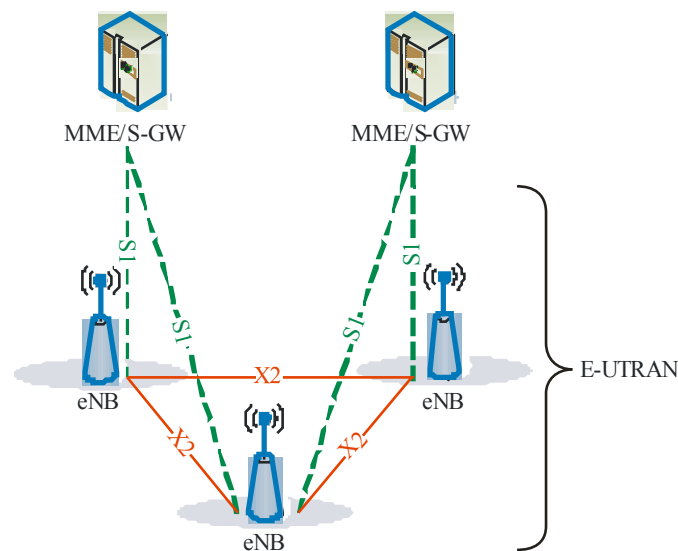
M.1457-03

The Evolved-UTRAN (E-UTRAN) has a flat architecture with a single type of node, the *eNodeB*, which is responsible for all radio-related functions in one or several cells, providing the user plane (PDCP/RLC/MAC/PHY) and control plane (RRC) protocol terminations towards the UE. The eNBs are interconnected with each other by means of the X2 interface. The eNBs are also connected by means of the S1 interface to the EPC (Evolved Packet Core), and more specifically to the MME (Mobility Management Entity) by means of the S1-MME and to the S-GW (Serving Gateway) by means of the S1-U. The S1 interface supports a many-to-many relation between MMEs/Serving Gateways and eNBs.

The E-UTRAN architecture may deploy a Home eNB Gateway (HeNB GW) to allow the S1 interface between the HeNB and the EPC to support a large number of HeNBs in a scalable manner. The HeNB GW serves as a concentrator for the C-Plane, specifically the S1-MME interface. The S1-U interface from the HeNB may be terminated at the HeNB GW, or a direct logical U-Plane connection between HeNB and S-GW may be used.

The E-UTRAN architecture (not including HeNB GW and RNs) is illustrated in Fig. 4.

FIGURE 4
Overall architecture



M.1457-04

The eNB hosts the following functions:

- functions for Radio Resource Management: Radio Bearer Control, Radio Admission Control, Connection Mobility Control, Dynamic allocation of resources to UEs in both uplink and downlink (scheduling);
- IP header compression and encryption of user data stream;
- selection of an MME at UE attachment when no routing to an MME can be determined from the information provided by the UE;
- routing of User Plane data towards S-GW;
- scheduling and transmission of paging messages (originated from the MME);
- scheduling and transmission of broadcast information (originated from the MME or O&M);
- measurement and measurement reporting configuration for mobility and scheduling;
- scheduling and transmission of PWS (which includes ETWS and CMAS) messages (originated from the MME);
- CSG handling;
- Transport level packet marking in the uplink.

The DeNB hosts the following functions in addition to the eNB functions:

- S1/X2 proxy functionality for supporting RNs;
- S11 termination and S-GW/P-GW functionality for supporting RNs.

The MME hosts the following functions:

- NAS signalling;
- NAS signalling security;
- Inter-CN node signalling for mobility between 3GPP access networks;
- Idle mode UE Reachability (including control and execution of paging retransmission);

- Tracking Area list management (for UE in idle and active mode);
- PDN GW and Serving GW selection;
- MME selection for handovers with MME change;
- SGSN selection for handovers to 2G or 3G 3GPP access networks;
- Roaming;
- Authentication;
- Bearer management functions including dedicated bearer establishment.

The S-GW hosts the following functions:

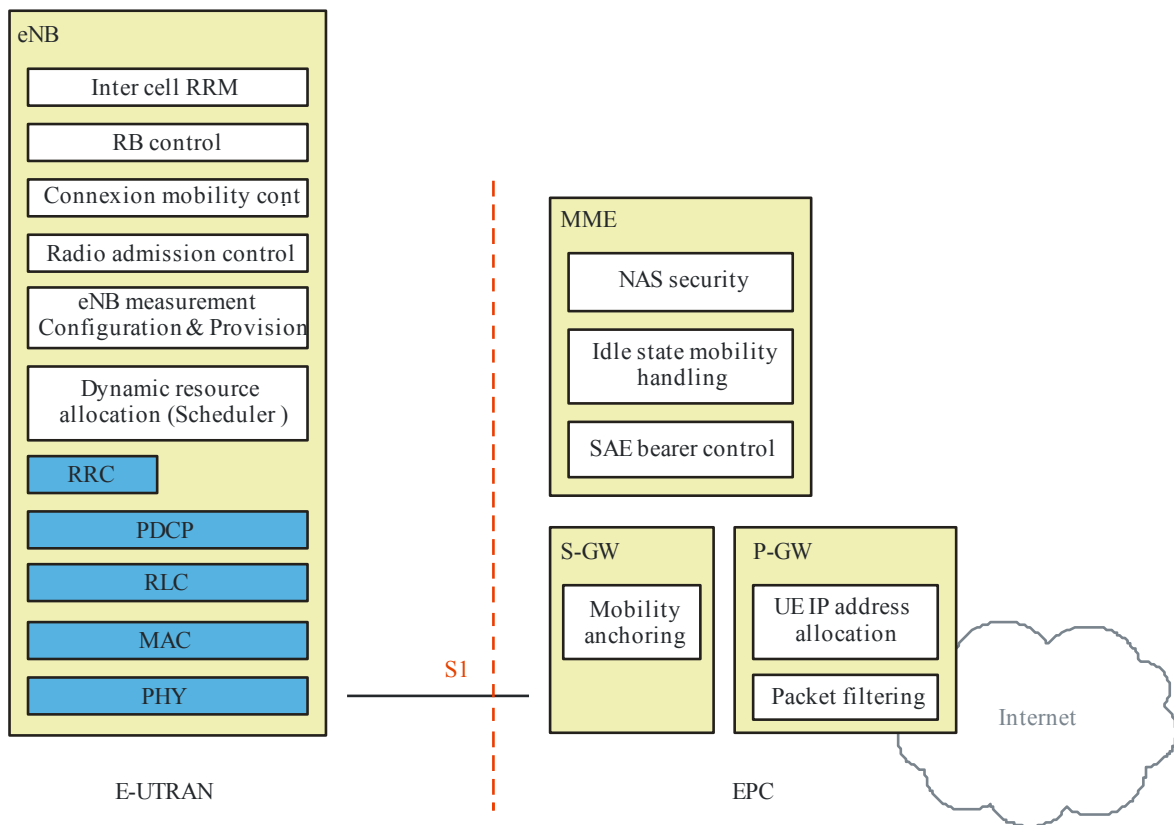
- The local Mobility Anchor point for inter-eNB handover;
- Mobility anchoring for inter-3GPP mobility;
- E-UTRAN idle mode downlink packet buffering and initiation of network triggered service request procedure;
- Lawful Interception;
- Packet routing and forwarding;
- Transport level packet marking in the uplink and the downlink;
- Accounting on user and QCI granularity for inter-operator charging;
- UL and DL charging per UE, PDN, and QCI.

The PDN Gateway (P-GW) hosts the following functions:

- Per-user based packet filtering (by, e.g. deep packet inspection);
- Lawful Interception;
- UE IP address allocation;
- Transport level packet marking in the downlink;
- UL and DL service level charging, gating and rate enforcement;
- DL rate enforcement based on AMBR.

This is summarized in Fig. 5 where yellow boxes depict the logical nodes, white boxes depict the functional entities of the control plane and blue boxes depict the radio protocol layers.

FIGURE 5
Overall architecture of the E-UTRAN radio access network



M.1457-05

5.1.1.3 Physical layer

5.1.1.3.1 Transport Channels

Transport channels are the services offered by the physical layer to MAC and higher layers.

For UTRA, the general classification of transport channels is into two groups:

- Common transport channels where there is a need for explicit UE identification when a particular UE is addressed or a particular group of UEs are addressed.
- Dedicated transport channels where a UE is implicitly identified by the physical channel, i.e. code and frequency.

Common transport channel types are:

- **Random Access Channel (RACH)**

A contention based uplink channel used for transmission of relatively small amounts of data, e.g. for initial access or non-real-time dedicated control or traffic data.

- **Common Packet Channel (CPCH)***
A contention based uplink channel used for transmission of bursty data traffic. The common packet channel is shared by the UEs in a cell and therefore, it is a common resource. The CPCH is fast power controlled.
- **Forward Access Channel (FACH)**
A common downlink channel without closed-loop power control used for transmission of relatively small amount of data.
- **Downlink Shared Channel (DSCH)**
A downlink channel shared by several UEs carrying dedicated control or traffic data.
- **High-speed Downlink Shared Channel (HS-DSCH)**
A downlink channel served by several UEs carrying dedicated control or traffic data. HS-DSCH offers the possibility for high-speed downlink packet access through the support of higher-order modulation, adaptive modulation and coding, fast channel-dependent scheduling, and hybrid ARQ with soft combining.
- **Broadcast Channel (BCH)**
A downlink channel used for broadcast of system information into an entire cell.
- **Paging Channel (PCH)**
A downlink channel used for broadcast of control information into an entire cell allowing efficient UE sleep mode procedures. Currently identified information types are paging and notification. Another use could be UTRAN notification of change of BCCH information.
- **Enhanced Dedicated Channel (E-DCH) (FDD and 1.28 Mcps TDD only)**
For FDD, in CELL_FACH state and IDLE mode, this channel is used for uplink transmission and is shared between UEs by allocation of individual codes, from a common pool of codes assigned for the channel. For 1.28 Mcps TDD, in CELL_FACH state and IDLE mode, this channel is used for uplink transmission and is shared by UEs in CELL_FACH, CELL_DCH and Idle mode.

Dedicated transport channel types are:

- **Dedicated Channel (DCH)**
A channel dedicated to one UE used in uplink or downlink.
- **Enhanced Dedicated Channel (E-DCH)**
A channel dedicated to one UE used in uplink, supporting hybrid ARQ and scheduling to provide high data rates.

On each transport channel, a number of Transport Blocks are delivered to/from the physical layer once every *Transmission Time Interval* (TTI). To each transport channel, there is an associated *Transport Format* or set of transport formats. The transport format describes the physical properties of the transport channel, such as the TTI, the number of transport blocks per TTI, the number of bits per transport blocks, the coding scheme and coding rate, and the modulation scheme.

For E-UTRA, the following transport channels are defined.

* Available only in 3GPP Rel99 and Rel4 Specifications.

Downlink transport channel types are:

- **Broadcast Channel (BCH)** characterized by:
 - fixed, pre-defined transport format;
 - requirement to be broadcast in the entire coverage area of the cell.
- **Downlink Shared Channel (DL-SCH)** characterized by:
 - support for HARQ;
 - support for dynamic link adaptation by varying the modulation, coding and transmit power;
 - possibility to be broadcast in the entire cell;
 - possibility to use beamforming;
 - support for both dynamic and semi-static resource allocation;
 - support for UE discontinuous reception (DRX) to enable UE power saving;
 - support for MBMS transmission (FFS).
- **Paging Channel (PCH)** characterized by:
 - support for UE discontinuous reception (DRX) to enable UE power saving (DRX cycle is indicated by the network to the UE);
 - requirement to be broadcast in the entire coverage area of the cell;
 - mapped to physical resources which can be used dynamically also for traffic/other control channels.
- **Multicast Channel (MCH)** characterized by:
 - requirement to be broadcast in the entire coverage area of the cell;
 - support for SFN combining of MBMS transmission on multiple cells;
 - support for semi-static resource allocation, e.g. with a time-frame of a long cyclic prefix.

Uplink transport channel types are:

- **Uplink Shared Channel (UL-SCH)** characterized by:
 - possibility to use beamforming (likely no impact on specifications);
 - support for dynamic link adaptation by varying the transmit power and potentially modulation and coding;
 - support for HARQ;
 - support for both dynamic and semi-static resource allocation.
- **Random Access Channel(s) (RACH)** characterized by:
 - limited control information;
 - collision risk.

5.1.1.3.2 Physical layer functionality and building blocks

For UTRA, the physical layer includes the following functionality:

- error detection on transport channels and indication to higher layers;
- forward error correction (FEC) encoding/decoding of transport channels;

- multiplexing of transport channels and demultiplexing of coded composite transport channels;
- rate matching;
- mapping of coded composite transport channels on physical channels;
- data modulation and demodulation of physical channels;
- spreading and de-spreading of physical channels;
- radio characteristics measurements including FER, Signal-to-Interference (SIR), Interference Power Level, etc. and indication to higher layers;
- frequency and time (chip, bit, slot, frame) synchronization;
- power weighting and combining of physical channels;
- closed-loop power control;
- RF processing;
- support of UE positioning methods;
- beamforming;
- MIMO antenna processing;
- macro-diversity distribution/combining and soft handover execution (excluding E-UTRAN).

For E-UTRA, the physical layer includes the following functionalities:

- error detection on the transport channel and indication to higher layers;
- FEC encoding/decoding of the transport channel;
- Hybrid ARQ soft-combining;
- rate matching of the coded transport channel to physical channels;
- mapping of the coded transport channel onto physical channels;
- power weighting of physical channels;
- modulation and demodulation of physical channels;
- frequency and time synchronization;
- radio characteristics measurements and indication to higher layers;
- Multiple Input Multiple Output (MIMO) antenna processing;
- Transmit Diversity (TX diversity);
- beamforming;
- RF processing;
- frequency domain multiplexing with users;
- single frequency combining from multiple cells.

Figure 6 gives the physical layer transmission chain for the UTRA DCH transport channel. The figure shows how several transport channels can be multiplexed onto one or more dedicated physical data channels (DPDCH).

The cyclic redundancy check (CRC) provides for error detection of the transport blocks for the particular transport channel. The CRC can take the length zero (no CRC), 8, 12, 16 or 24 bits depending on the service requirements.

The transport block concatenation and code block segmentation functionality performs serial concatenation of those transport blocks that will be sent in one transmission time interval and any code block segmentation if necessary.

The types of channel coding defined are convolutional coding, turbo coding and no coding. Real-time services use only FEC encoding while non-real-time services uses a combination of FEC and ARQ. The ARQ functionality resides in the RLC sub-layer of Layer 2. The convolutional coding rates are 1/2 or 1/3 while the rate is 1/3 for turbo codes. The possible interleaving depths are 10, 20, 40 or 80 ms.

The radio frame segmentation performs padding of bits. The rate matching adapts any remaining differences of the bit rate so the number of outgoing bits fit to the available bit rates of the physical channels. Repetition coding and/or puncturing is used for this purpose.

The transport channel multiplexing stage combines transport channels in a serial fashion. This is done every 10 ms. The output of this operation is also called coded composite transport channels.

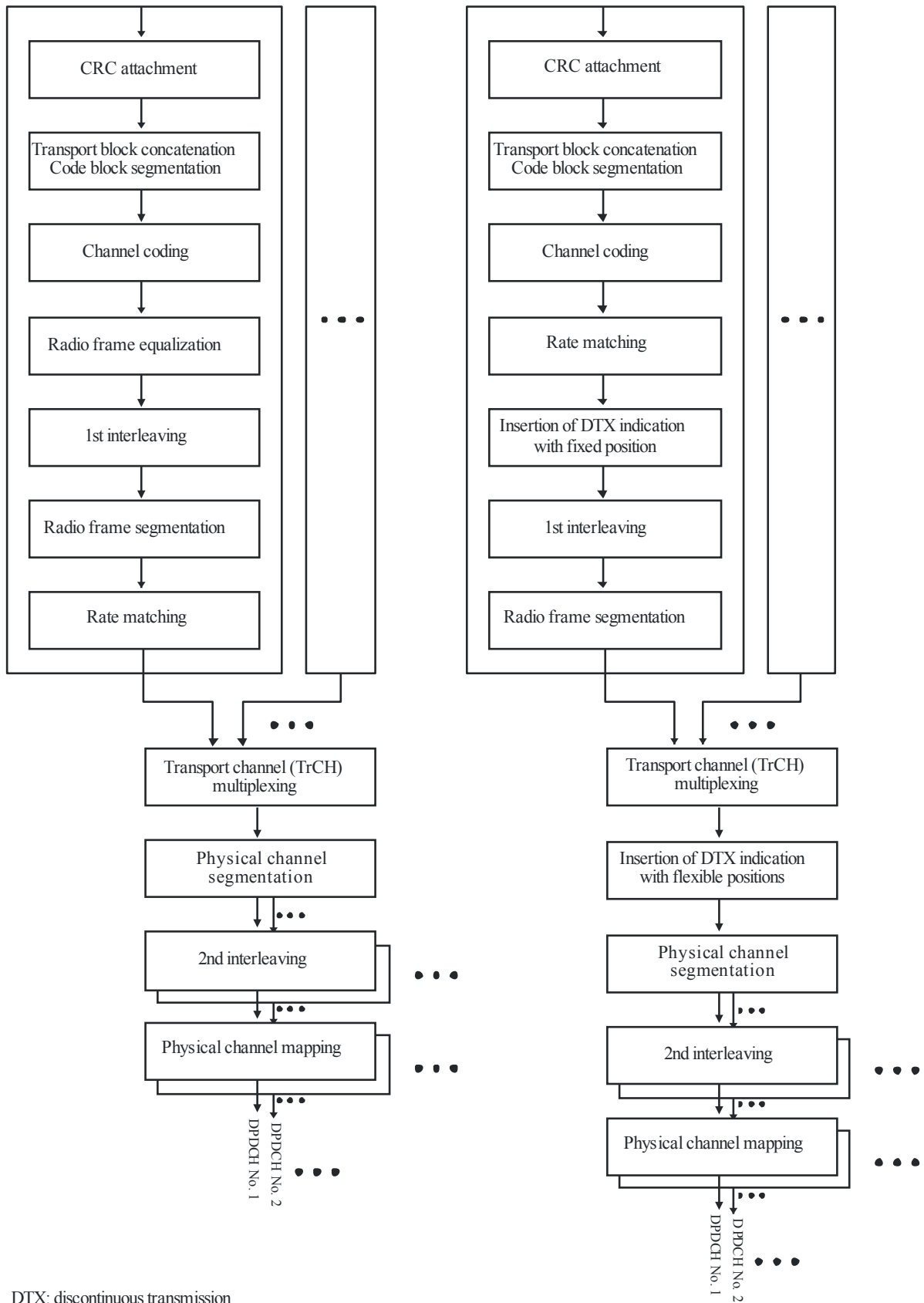
If several physical channels will be used to transmit the data, the split is made in the physical channel segmentation unit.

The downlink can use DTX on a slot-to-slot basis for variable rate transmission. The insertions could either be at fixed or at flexible positions.

For other transport-channel types, the physical-layer transmission chain is similar although not necessarily identical to that of DCH in Fig. 6.

FIGURE 6

DCH transport channel multiplexing structure (left: uplink; right: downlink)



DTX: discontinuous transmission

Figure 6A gives the physical transmission chain for the E-UTRA UL-SCH and DL-SCH transport channels (top and bottom respectively).

The following coding steps can be identified for each transport block of an UL cell:

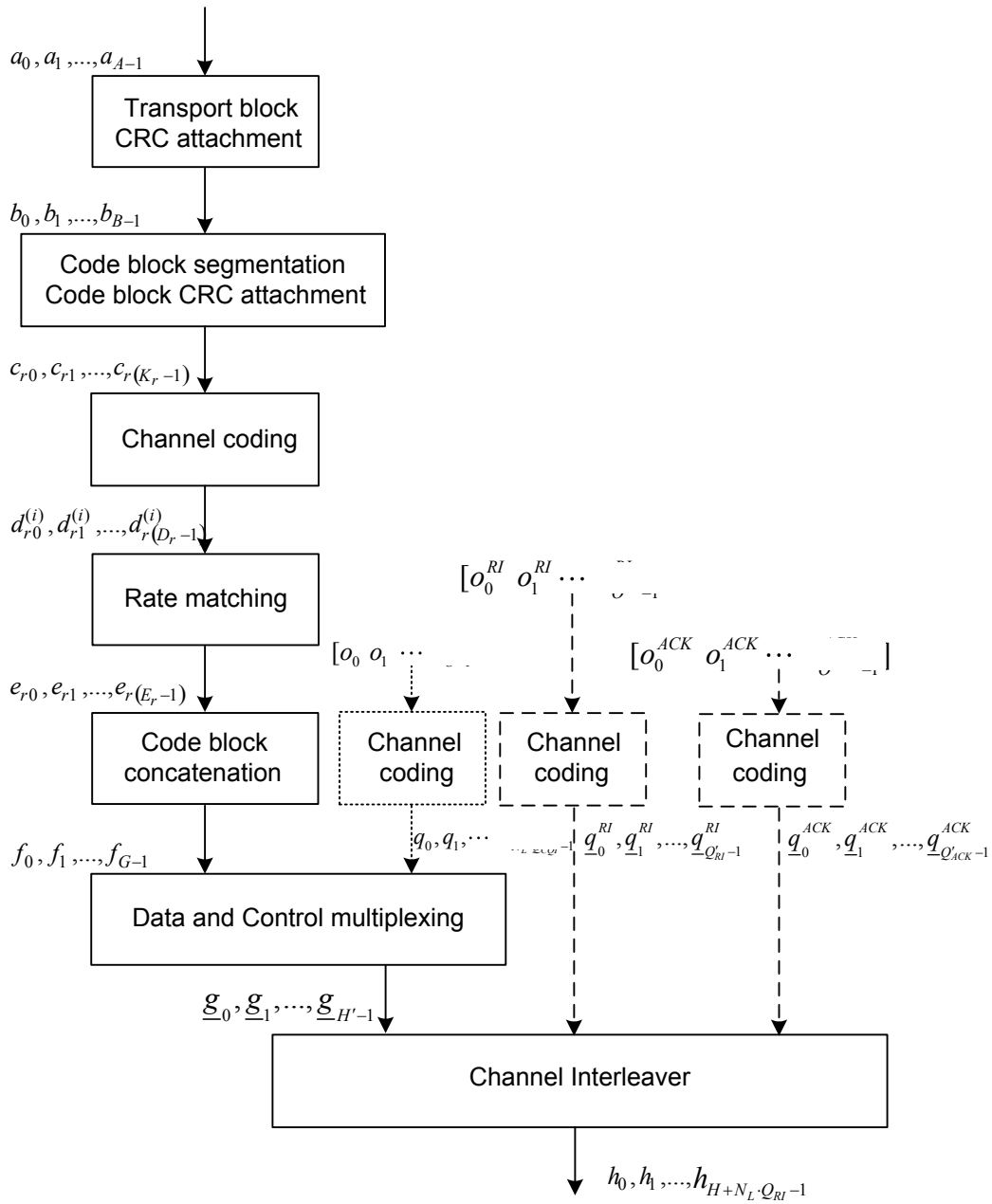
- Add CRC to the transport block.
- Code block segmentation and code block CRC attachment.
- Channel coding of data and control information.
- Rate matching.
- Code block concatenation.
- Multiplexing of data and control information.
- Channel interleaver.

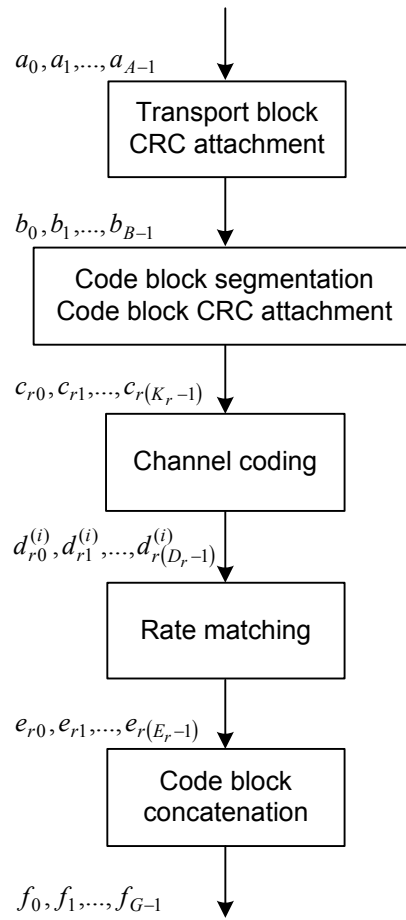
The following coding steps can be identified for each transport block of a DL cell:

- Add CRC to the transport block.
- Code block segmentation and code block CRC attachment.
- Channel coding.
- Rate matching.
- Code block concatenation.

FIGURE 6A

UL-SCH and DL-SCH transport channel multiplexing structure (top and bottom respectively)



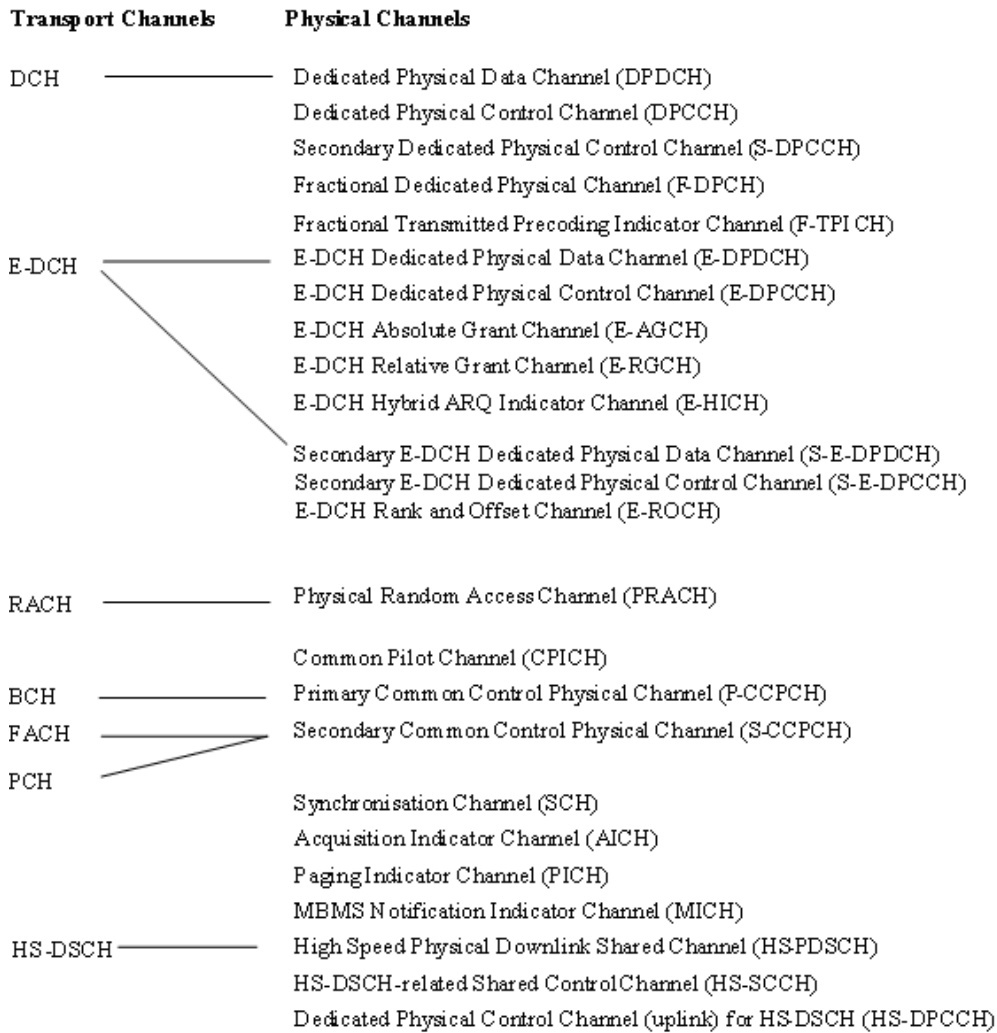


5.1.1.3.3 Transport channels to physical channel mapping

The transport channels are mapped onto the physical channels. Figure 7 shows the different physical channels and summarizes the mapping of transport channels onto physical channels for UTRA.

Each UTRA physical channel has its tailored slot content. The slot content for the uplink and downlink DPDCH/DPCCH, on to which the uplink and downlink DCH is mapped, is shown in § 5.1.1.3.4.

FIGURE 7

Transport channels, physical channels and their mapping

Figures 8 and 9 depict the mapping between transport and physical channels for E-UTRA:

FIGURE 8

Mapping between downlink transport channels and downlink physical channels

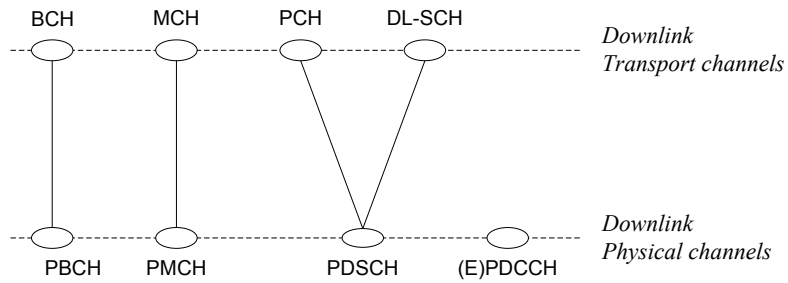
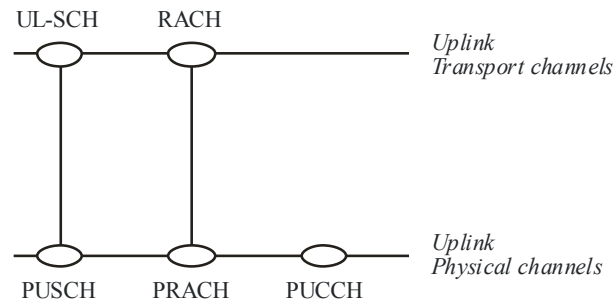


FIGURE 9

Mapping between uplink transport channels and uplink physical channels

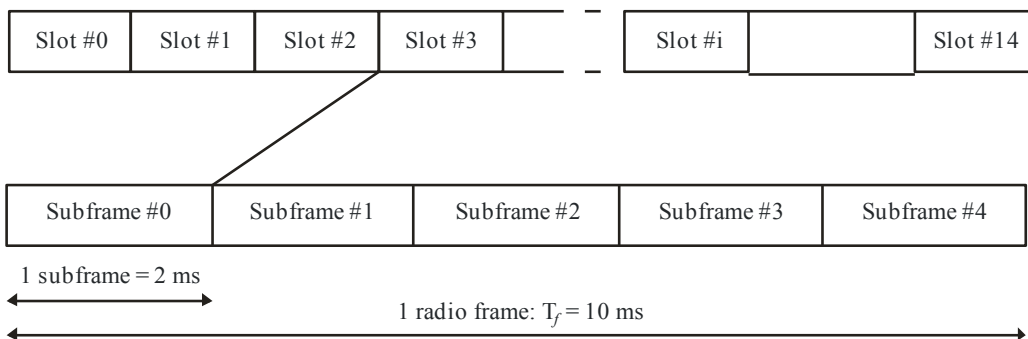


5.1.1.3.4 Physical frame structure

For UTRA the basic physical frame rate is 10 ms with 15 slots. Figure 10 shows the frame structure.

FIGURE 10

Basic frame structure

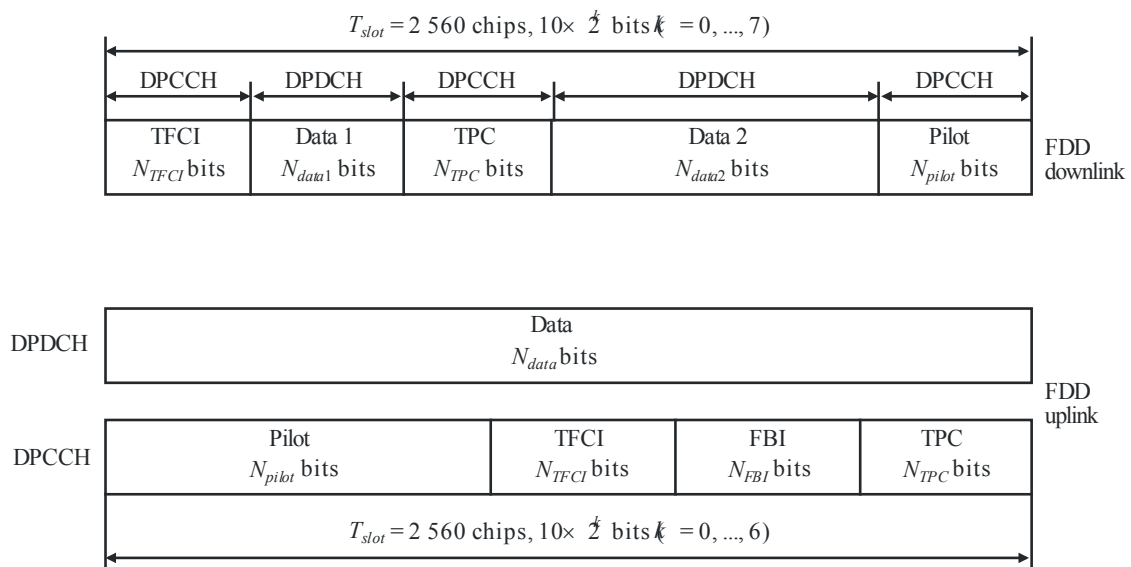


M.1457-10

Figure 11 shows the content for a slot used by the DCH. The uplink physical channels DPDCH and DPCCH are I/Q multiplexed while the downlink channels are time multiplexed. The DPDCH, the channel where the user data is transmitted on, is always associated with a DPCCH containing Layer 1 control information. The transport format combination indicator (TFCI) field is used for indicating the demultiplexing scheme of the data stream. The TFCI field does not exist for combinations that are static (i.e. fixed bit rate allocations) or blind transport format detection is employed. The feedback information (FBI) field is used for transmit functions. The transmit power control (TPC) bits are used for power control. HSDPA has a 2 ms frame structure and E-DCH supports both a 2 ms and 10 ms frame structure with corresponding TTIs.

FIGURE 11

Slot content for the DPDCH/DPCCH



M.1457-11

For the uplink, the DPDCH bit rate can vary between 15 up to 960 kbit/s using spreading factors (SFs) 256 down to 4. To obtain higher bit rates for a user several physical channels can be used. The bit rate of the DPCCH is fixed to 15 kbit/s. For the downlink the DPDCH bit rate is variable between 15 up to 1 920 kbit/s with a SF ranging from 512 down to 4. Note that the symbol bit rate is equal to the channel bit rate for the uplink while it is half of the channel bit rate for the downlink.

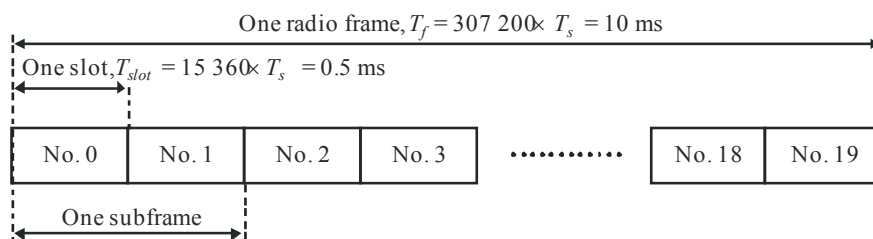
A CPICH is defined. It is an unmodulated downlink channel, that is the phase reference for other downlink physical channels. There is always one primary CPICH in each cell. There may also be additional secondary CPICHs in a cell.

To be able to support inter-frequency handover as well as measurements on other carrier frequencies or carriers of other systems, like GSM, a compressed mode of operation is defined. The function is implemented by having some slots empty, but without deleting any user data. Instead the user data is transmitted in the remaining slots. The number of slots that is not used can be variable with a minimum of three slots (giving minimum idle lengths of at least 1.73 ms). The slots can be empty either in the middle of a frame or at the end and in the beginning of the consecutive frame. If and how often is controlled by the RRC functionality in Layer 3.

E-UTRAN FDD uses frame structure type 1. Frame structure type 1 is applicable to both full duplex and half duplex FDD. Each radio frame is $T_f = 307200 \times T_s = 10 \text{ ms}$ long and consists of 20 slots of length $T_{slot} = 15360 \times T_s = 0.5 \text{ ms}$, numbered from 0 to 19. A subframe is defined as two consecutive slots where subframe i consists of slots $2i$ and $2i + 1$.

For FDD, 10 subframes are available for downlink transmission and 10 subframes are available for uplink transmissions in each 10 ms interval. Uplink and downlink transmissions are separated in the frequency domain.

FIGURE 12

Frame structure type 1

M.1457-12

5.1.1.3.5 Spreading, modulation and pulse shaping**Uplink**

In UTRA, spreading consists of two operations. The first is the channelization operation, which transforms every data symbol into a number of chips, thus increasing the bandwidth of the signal. The number of chips per data symbol is called the SF. The second operation is the scrambling operation, where a scrambling code is applied to the spread signal.

In the channelization operation, data symbols on so-called I- and Q-branches are independently multiplied with a code. The channelization codes are orthogonal variable spreading factor (OVSF) codes that preserve the orthogonality between a user's different physical channels. With the scrambling operation, the resultant signals on the I- and Q-branches are further multiplied by complex-valued scrambling code, where I and Q denote real and imaginary parts, respectively. Note that before complex multiplication binary values 0 and 1 are mapped to +1 and -1, respectively. Figure 13 illustrates the spreading and modulation for the case of multiple uplink DPDCHs. Note that this figure only shows the principle, and does not necessarily describe an actual implementation. Modulation is dual-channel QPSK (i.e. separate BPSK on I- and Q-channel), where the uplink DPDCH and DPCCH are mapped to the I and Q branch respectively. The I and Q branches are then spread to the chip rate with two different channelization codes and subsequently complex scrambled by a UE specific complex scrambling code C_{scramb} . There are 224 uplink-scrambling codes. Either short (256 chips from the family of S(2) codes) or long (38 400 chips equal to one frame length, gold code-based) scrambling codes is used on the uplink. The short scrambling code is typically used in cells where the BS is equipped with an advanced receiver, such as a multi-user detector or interference canceller whereas the long codes gives better interference averaging properties.

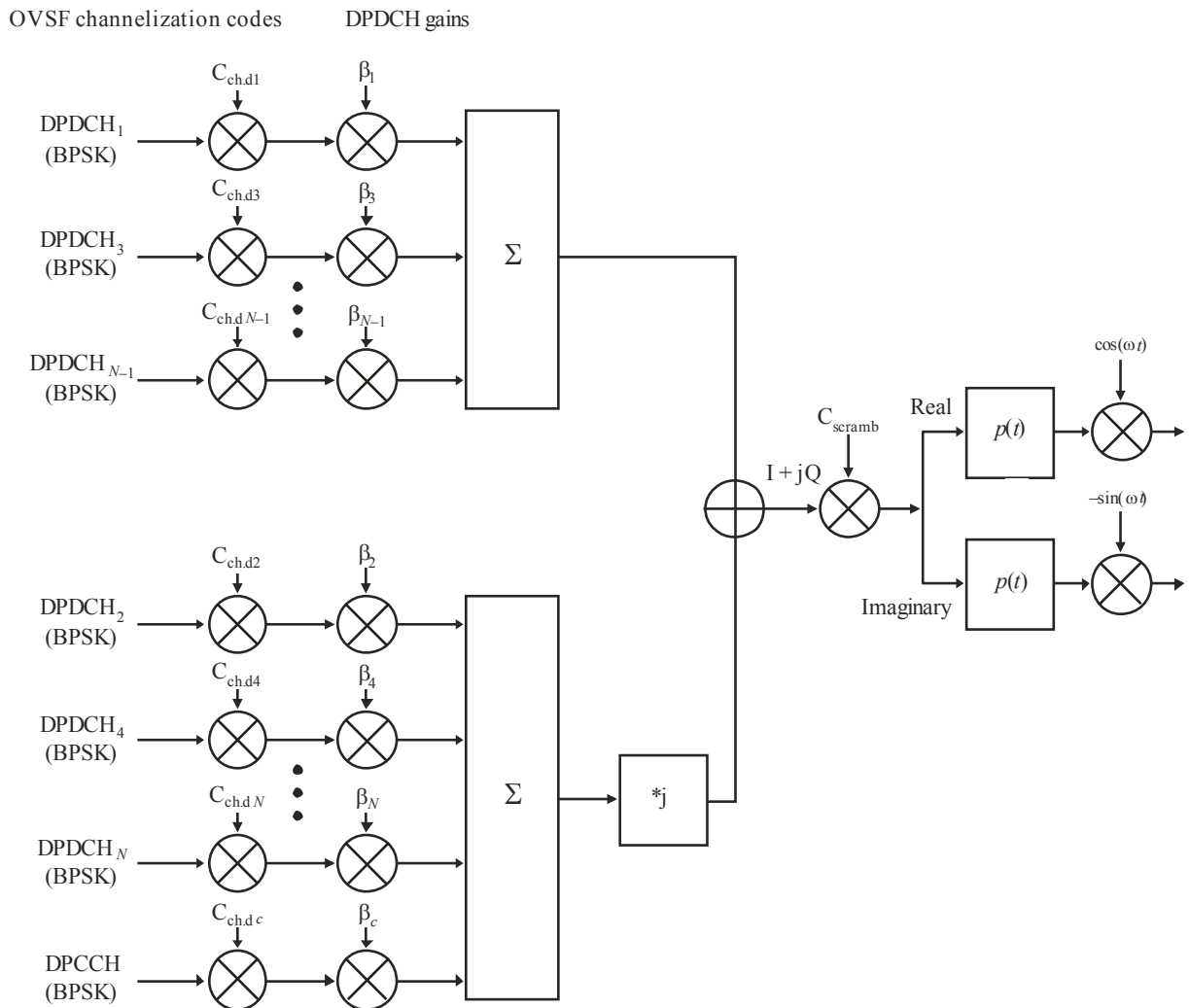
The pulse-shaping filters are root-raised cosine with roll-off $\alpha = 0.22$ in the frequency domain.

In E-UTRA, the uplink radio access scheme is based on Single Carrier FDMA, more specifically, DFTS-OFDM. It also supports multi-cluster assignment of DFTS-OFDM. The sub-carrier spacing is 15 kHz. The antenna configuration for uplink supports both SU-MIMO and MU-MIMO.

The modulation scheme for the uplink is up to 16-QAM and optionally 64-QAM.

FIGURE 13

Spreading/modulation for uplink DPDCH/DPCCH in UTRA



M.1457-13

Downlink

Figure 14 illustrates the spreading and modulation for the downlink DPDCH/DPCCH in UTRA. Data modulation is QPSK where each pair of two bits are serial-to-parallel (S/P) converted and mapped to the I- and Q-branch respectively. The I- and Q-branch are then spread to the chip rate with the same channelization code C_{ch} (real spreading) and subsequently scrambled by the scrambling code C_{scramb} (complex scrambling).

The channelization codes are the same codes as used in the uplink that preserve the orthogonality between downlink channels of different rates and SFs. There are a total of 512 x 512 = 262 144 scrambling codes, numbered 0 to 262 143. The scrambling codes are divided into 512 sets each of a primary scrambling code and 511 secondary scrambling codes. Each cell is allocated one and only one primary scrambling code. The primary CCPCCH is always transmitted using the primary scrambling code. The other downlink physical channels can be transmitted with either the primary scrambling code or a secondary scrambling code from the set associated with the primary scrambling code of the cell.

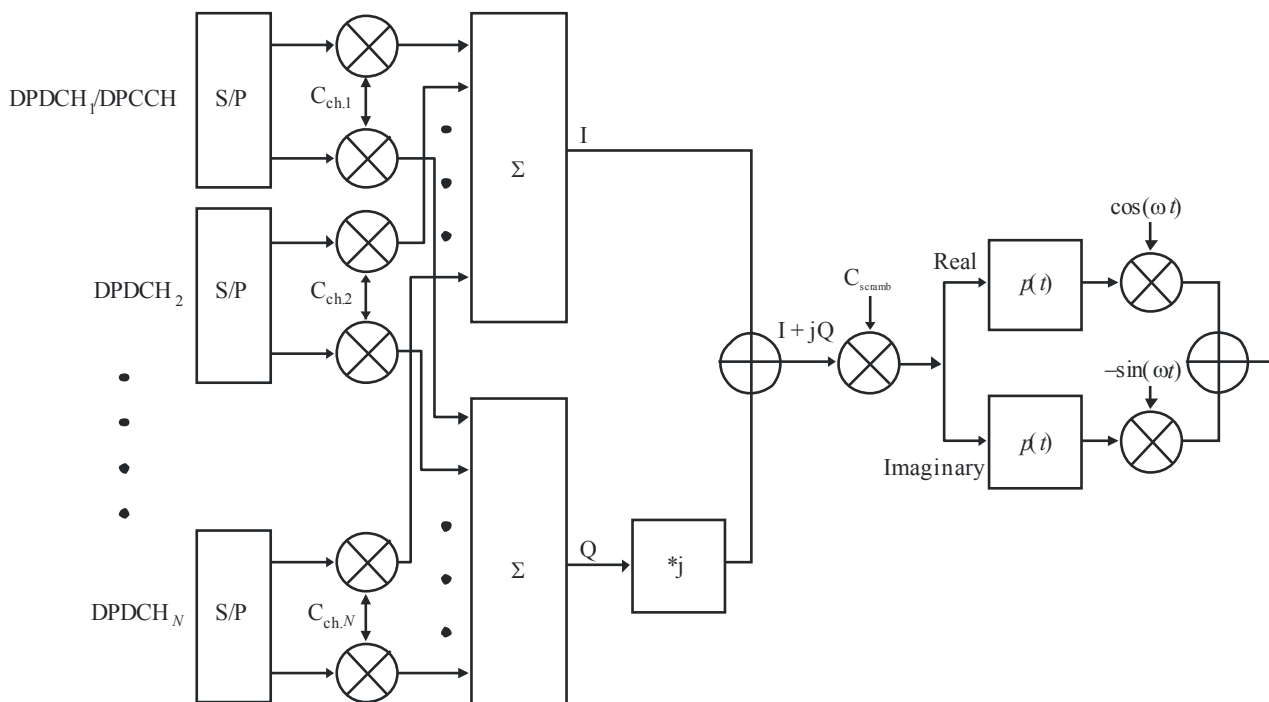
The pulse-shaping filters are root-raised cosine with roll-off α = 0.22 in the frequency domain.

Downlink spreading for downlink physical channels other than the downlink DPCH is very similar. For the physical channel to which HS-DSCH is mapped, higher-order data modulation can be used in addition to QPSK.

The downlink radio access scheme of E-UTRA is based on conventional OFDM using cyclic prefix. The OFDM sub-carrier spacing is 15 kHz. In addition, there is also a reduced sub-carrier spacing of 7.5 kHz only for MBMS-dedicated cell. Single-User MIMO and Multi-User MIMO with 2, 4 and 8 transmit antennas are supported.

FIGURE 14

Spreading/modulation for downlink DPDCH/DPCCCH in UTRA



M.1457-14

5.1.1.4 Layer 2

5.1.1.4.1 MAC sub-layer

The MAC sub-layer is responsible for the handling of the data streams coming from the RLC and RRC sub-layers. It provides an unacknowledged transfer mode service to the upper layers. The interface to the RLC sub-layer is through logical channel service access points. It also re-allocates radio resources on request by the RRC sub-layer as well as provides measurements to the upper layers. The logical channels are divided into control channels and traffic channels. Thus, the functionality handles issues like:

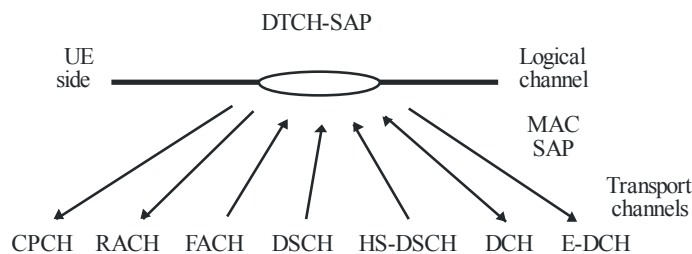
- mapping of the different logical channels to the appropriate transport channels and selection of appropriate transport format for the transport channels based on the instantaneous source bit rate, and optimization of the HS-DSCH, DL-SCH (E-UTRA) and UL-SCH (E-UTRA) transport channel;
- multiplexing/demultiplexing of the PDUs to/from transport blocks which are thereafter further treated by the physical layer;

- dynamic switching between common and dedicated transport channels based on information from the RRC sub-layer;
- priority issues for services to one UE according to information from higher layers and physical layer (e.g. available transmit power level) as well as priority handling between UEs by means of dynamic scheduling in order to increase spectrum efficiency;
- monitoring of traffic volume that can be used by the RRC sub-layer;
- hybrid ARQ with soft combining in case of the HS-DSCH, DL-SCH (E-UTRA) or UL-SCH (E-UTRA) transport channel;
- segmentation in case improved L2 support for high data rates is used;
- Padding (E-UTRA).

Figure 15 shows the possibilities of mapping the logical dedicated traffic channel (DTCH) onto transport channels. There are possibilities to map onto common transport channels as well as dedicated transport channels. The choice of mapping could be determined on, e.g. the DTCH traffic intensity.

FIGURE 15

The possible transport channel mappings of the dedicated traffic channel (DTCH)

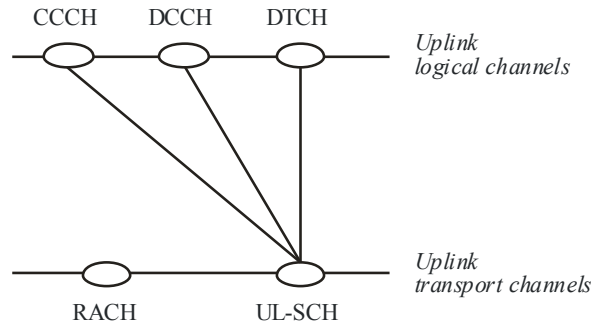


M.1457-15

Figures 16 and 17 similarly show the possibilities of mapping the logical channels onto transport channels for E-UTRA.

FIGURE 16

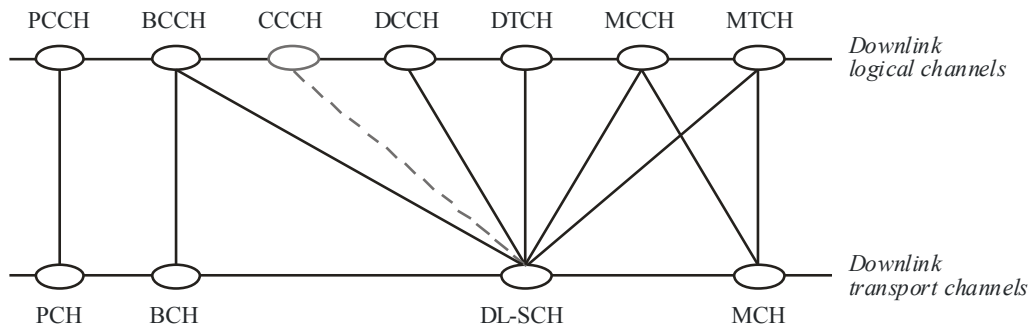
Possible transport channel mappings of the common control channel (CCCH), dedicated control channel (DCCH) and dedicated traffic channel (DTCH)



M.1457-16

FIGURE 17

Possible transport channel mappings of Paging Control Channel (PCCH), Broadcast Control Channel (BCCH), Common Control Channel (CCCH), Dedicated Control Channel (DCCH), Dedicated Traffic Channel (DTCH), Multicast Control Channel (MCCH), Multicast Traffic Channel (MTCH)



M.1457-17

5.1.1.4.2 RLC sub-layer

The RLC sub-layer provides three different types of data transfer modes:

- *Transparent data transfer.* This service transmits higher layer PDUs without adding any protocol information, possibly including segmentation/reassemble functionality.
- *Unacknowledged data transfer.* This service transmits higher layer PDUs without guaranteeing delivery to the peer entity. The unacknowledged data transfer mode has the following characteristics:
 - a) *Detection of erroneous data:* The RLC sub-layer shall deliver only those SDUs to the receiving higher layers that are free of transmission errors by using the sequence-number check function;
 - b) *Unique delivery:* The RLC sub-layer shall deliver each SDU only once to the receiving upper layer using duplication detection function;
 - c) *Immediate delivery:* The receiving RLC sub-layer entity shall deliver a SDU to the higher layer receiving entity as soon as it arrives at the receiver.

- *Acknowledged data transfer.* This service transmits higher layer PDUs and guarantees delivery to the peer entity. In case RLC is unable to deliver the data correctly, the user of RLC at the transmitting side is notified. For this service, both in-sequence and out-of-sequence delivery are supported. In many cases a higher layer protocol can restore the order of its PDUs. As long as the out-of-sequence properties of the lower layer are known and controlled (i.e. the higher layer protocol will not immediately request retransmission of a missing PDU) allowing out-of-sequence delivery can save memory space in the receiving RLC. The acknowledged data transfer mode has the following characteristics:
- a) *Error-free delivery:* error-free delivery is ensured by means of retransmission. The receiving RLC entity delivers only error-free SDUs to the higher layer;
 - b) *Unique delivery:* the RLC sub-layer shall deliver each SDU only once to the receiving upper layer using duplication detection function;
 - c) *In-sequence delivery:* RLC sub-layer shall provide support for in-order delivery of SDUs, i.e. RLC sub-layer should deliver SDUs to the receiving higher layer entity in the same order as the transmitting higher layer entity submits them to the RLC sub-layer;
 - d) *Out-of-sequence delivery:* alternatively to in-sequence delivery, it shall also be possible to allow that the receiving RLC entity delivers SDUs to higher layer in different order than submitted to RLC sub-layer at the transmitting side.

It also provides for RLC connection establishment/release, as well as QoS setting and notification to higher layers in case of unrecoverable errors.

An example of the data flow for non-transparent (acknowledged/unacknowledged) data transfer is shown in Fig. 3.

5.1.1.4.3 PDCP sub-layer

PDCP provides transmission and reception of Network PDUs in acknowledged, unacknowledged and transparent RLC mode.

It is responsible for the mapping of Network PDUs from one network protocol to one RLC entity and it provides compression in the transmitting entity and decompression in the receiving entity of redundant Network PDU control information (header compression/decompression).

For E-UTRAN, PDCP is also responsible for in-sequence delivery of upper layer PDUs at hand-over, duplicate detection of lower layer SDUs and retransmission of PDCP SDUs at handover.

5.1.1.4.4 BMC sub-layer

In UTRA, the BMC provides a broadcast/multicast transmission service in the user plane on the radio interface for common user data in transparent or unacknowledged mode.

It can handle functionalities such as storage, scheduling and transmission of BMC messages.

5.1.1.5 Layer 3 (RRC sub-layer)

The RRC sub-layer handles the control plane signalling of Layer 3 between the UEs and the radio interface. In addition to the relation with the upper layers (such as CN) the following main functions are performed:

- *Broadcast of information provided by the non-access stratum (CN)* – The RRC layer performs system information broadcasting from the network to all UEs. The system information is normally repeated on a regular basis. This function supports broadcast of higher layer (above RRC) information. This information may be cell specific or not. As an example RRC may broadcast CN location service area information related to some specific cells.
- *Broadcast of information related to the access stratum* – The RRC layer performs system information broadcasting from the network to all UEs. This function supports broadcast of typically cell-specific information.
- *Establishment, maintenance and release of an RRC connection between the UE and the radio access network* – The establishment of an RRC connection is initiated by a request from higher layers at the UE side to establish the first signalling connection for the UE. The establishment of an RRC connection includes an optional cell re-selection, an admission control, and a Layer 2 signalling link establishment.
- *Establishment, reconfiguration and release of radio access bearers* – The RRC layer will, on request from higher layers, perform the establishment, reconfiguration and release of radio access bearers in the user plane. A number of radio access bearers can be established to an UE at the same time. At establishment and reconfiguration, the RRC layer performs admission control and selects parameters describing the radio access bearer processing in Layer 2 and Layer 1, based on information from higher layers.
- *Assignment, reconfiguration and release of radio resources for the RRC connection* – The RRC layer handles the assignment of radio resources (e.g. codes) needed for the RRC connection including needs from both the control and user plane. The RRC layer may reconfigure radio resources during an established RRC connection. This function includes coordination of the radio resource allocation between multiple radio bearers related to the same RRC connection. RRC controls the radio resources in the uplink and downlink such that UE and the radio access network can communicate using unbalanced radio resources (asymmetric uplink and downlink). RRC signals to the UE to indicate resource allocations for purposes of handover to GSM or other radio systems.
- *RRC connection mobility functions* – The RRC layer performs evaluation, decision and execution related to RRC connection mobility during an established RRC connection, such as handover, preparation of handover to GSM or other systems, cell re-selection and cell/paging area update procedures, based on, e.g. measurements done by the UE.
- *Paging/notification* – The RRC layer can broadcast paging information from the network to selected UEs. The RRC layer can also initiate paging during an established RRC connection.
- *Control of requested QoS* – This function ensures that the QoS requested for the radio access bearers can be met. This includes the allocation of a sufficient number of radio resources.
- *UE measurement reporting and control of the reporting* – The measurements performed by the UE are controlled by the RRC layer, in terms of what to measure, when to measure and how to report, including both this radio interface and other systems. The RRC layer also performs the reporting of the measurements from the UE to the network.

- *Outer loop power control* – The RRC layer controls setting of the target of the closed-loop power control.
- *Control of ciphering* – The RRC layer provides procedures for setting of ciphering (on/off) between the UE and the radio access network.
- *Initial cell selection and re-selection in idle mode* – Selection of the most suitable cell based on idle mode measurements and cell selection criteria.
- *Arbitration of the radio resource allocation between the cells* – This function shall ensure optimal performance of the overall radio access network capacity.

5.1.1.6 Summary of major technical parameters

| Parameter | Value | Reference to § 5.1.2 |
|--|---|--|
| Multiple access technique and duplexing scheme | Multiple access: DS-CDMA (E-UTRAN) OFDM in DL. SC-FDMA in UL Duplexing: FDD | 5.1.2.1.1 5.1.2.3.1 |
| Chip rate (Mchip/s) | 3.84 | 5.1.2.1.4 |
| Frame length and structure | Frame length: 10 ms (E-UTRAN) Sub-frame length; 1 ms Slot length: 10/15 ms. (E-UTRAN) 0.5 ms TTI: 10 ms, 20 ms, 40 ms, 80 ms, 2 ms (E-UTRAN) 1 ms | 5.1.2.1.2 5.1.2.3.1 |
| Occupied bandwidth | Less than 5 MHz (E-UTRAN) 1.4 MHz, 3 MHz, 5 MHz, 10 MHz, 15 MHz and 20 MHz | 5.1.2.4.1, 5.1.2.4.4 5.1.2.9.1, 5.1.2.9.2 |
| Adjacent channel leakage power ratio (ACLR) (transmitter side) | UE (UE power class: 21 dBm and 24 dBm, (E-UTRAN) 23 dBm): ACLR (5 MHz) = 33 dB ACLR (10 MHz) = 43 dB BS: ACLR (5 MHz) = 45 dB ACLR (10 MHz) = 50 dB | 5.1.2.4.1, 5.1.2.9.1 5.1.2.4.4, 5.1.2.9.2 |
| Adjacent channel selectivity (ACS) (receiver side) | UE: ACS (5 MHz) = 33 dB BS: ACS (5 MHz) = 45 dB | 5.1.2.4.1, 5.1.2.9.1 5.1.2.4.4, 5.1.2.9.2 |
| Random access mechanism | Acquisition indication based random-access mechanism with power ramping on preamble followed by message | 5.1.2.1.2 5.1.2.1.5 |
| Pilot structure | Uplink: dedicated pilots Downlink: common and/or dedicated pilots | 5.1.2.1.2 |
| Inter-base station asynchronous/synchronous operation | Asynchronous; synchronous | 5.1.2.1.5 |

5.1.2 Detailed specification of the radio interface

The standards contained in this section are derived from the global core specifications for IMT 2000 contained at <http://ties.itu.int/u/itu-r/ede/rsg5/IMT-2000/GCS/GCSrev12>. Only the specifications listed below are relevant to this Recommendation.

The following notes apply to the sections below, where indicated:

- 1) The relevant SDOs should make their reference material available from their web site.
- 2) This information was supplied by the recognized external organizations and relates to their own deliverables of the transposed global core specification.

5.1.2.1 25.200 series

5.1.2.1.1 TS 25.201

Physical layer – General description

This specification gives a general description of the physical layer of the UTRA radio interface.

| SDO (2) | Document No. | Version | Status | Issued date | Location (1) |
|-------------------|---------------------------|---------|-----------|-------------|---|
| Release 99 | | | | | |
| ARIB | ARIB STD-T63-25.201 | 3.4.0 | Approved | Jul 13 | http://www.arib.or.jp/english/html/overview/doc/STD-T63v10_00/2_T63/ARIB-STD-T63/R99/25/A25201-340.pdf |
| ATIS | T1.3GPP.25.201V340-2003 | 3.4.0 | Approved | Mar 03 | https://www.atis.org/docstore/default.aspx |
| CCSA | CCSA-TSD-DS-25.201 | 3.4.0 | Published | Jul 02 | http://www.ccsa.org.cn/english/tc/files.php?docpath=/ITU-R/M.1457/M.1457-12/DS |
| ETSI | ETSI TS 125 201 | 3.4.0 | Published | Jul 02 | http://www.etsi.org/deliver/etsi_ts/125200_125299/125201/03.04.00_60/ |
| TTA | TTAT.3G-25.201(R99-3.4.0) | 3.4.0 | Approved | Mar 03 | http://www.tta.or.kr/data/ttasDown.jsp?where=14688&pk_num=TTAT.3G-25.201(R99-3.4.0) |
| Release 4 | | | | | |
| ARIB | ARIB STD-T63-25.201 | 4.3.0 | Approved | Jul 13 | http://www.arib.or.jp/english/html/overview/doc/STD-T63v10_00/2_T63/ARIB-STD-T63/Rel4/25/A25201-430.pdf |
| ATIS | T1.3GPP.25.201V430-2003 | 4.3.0 | Approved | Mar 03 | https://www.atis.org/docstore/default.aspx |
| CCSA | CCSA-TSD-DS-25.201 | 4.3.0 | Published | Jul 02 | http://www.ccsa.org.cn/english/tc/files.php?docpath=/ITU-R/M.1457/M.1457-12/DS |
| ETSI | ETSI TS 125 201 | 4.3.0 | Published | Jul 02 | http://www.etsi.org/deliver/etsi_ts/125200_125299/125201/04.03.00_60/ |
| TTA | TTAT.3G-25.201(R4-4.3.0) | 4.3.0 | Approved | Mar 03 | http://www.tta.or.kr/data/ttasDown.jsp?where=14688&pk_num=TTAT.3G-25.201(R4-4.3.0) |
| Release 5 | | | | | |
| ARIB | ARIB STD-T63-25.201 | 5.3.0 | Approved | Jul 13 | http://www.arib.or.jp/english/html/overview/doc/STD-T63v10_00/2_T63/ARIB-STD-T63/Rel5/25/A25201-530.pdf |
| ATIS | ATIS.3GPP.25.201V530-2006 | 5.3.0 | Approved | Apr 06 | https://www.atis.org/docstore/default.aspx |
| CCSA | CCSA-TSD-DS-25.201 | 5.3.0 | Published | Jul 05 | http://www.ccsa.org.cn/english/tc/files.php?docpath=/ITU-R/M.1457/M.1457-12/DS |
| ETSI | ETSI TS 125 201 | 5.3.0 | Published | Jul 05 | http://www.etsi.org/deliver/etsi_ts/125200_125299/125201/05.03.00_60/ |
| TTA | TTAT.3G-25.201(R5-5.3.0) | 5.3.0 | Approved | Apr 06 | http://www.tta.or.kr/data/ttasDown.jsp?where=14688&pk_num=TTAT.3G-25.201(R5-5.3.0) |
| Release 6 | | | | | |
| ARIB | ARIB STD-T63-25.201 | 6.2.0 | Approved | Jul 13 | http://www.arib.or.jp/english/html/overview/doc/STD-T63v10_00/2_T63/ARIB-STD-T63/Rel6/25/A25201-620.pdf |
| ATIS | ATIS.3GPP.25.201V620-2006 | 6.2.0 | Approved | Apr 06 | https://www.atis.org/docstore/default.aspx |
| CCSA | CCSA-TSD-DS-25.201 | 6.2.0 | Published | Jul 05 | http://www.ccsa.org.cn/english/tc/files.php?docpath=/ITU-R/M.1457/M.1457-12/DS |
| ETSI | ETSI TS 125 201 | 6.2.0 | Published | Jul 05 | http://www.etsi.org/deliver/etsi_ts/125200_125299/125201/06.02.00_60/ |
| TTA | TTAT.3G-25.201(R6-6.2.0) | 6.2.0 | Approved | Apr 06 | http://www.tta.or.kr/data/ttasDown.jsp?where=14688&pk_num=TTAT.3G-25.201(R6-6.2.0) |
| Release 7 | | | | | |

| | | | | | |
|-------------------|----------------------------|--------|-----------|--------|---|
| ARIB | ARIB STD-T63-25.201 | 7.5.0 | Approved | Jul 13 | http://www.arib.or.jp/english/html/overview/doc/STD-T63v10_00/2_T63/ARIB-STD-T63/Rel7/25/A25201-750.pdf |
| ATIS | ATIS.3GPP.25.201V750-2008 | 7.5.0 | Approved | Oct 08 | https://www.atis.org/docstore/default.aspx |
| CCSA | CCSA-TSD-DS-25.201 | 7.5.0 | Published | Jan 08 | http://www.ccsa.org.cn/english/tc/files.php?docpath=/ITU-R/M.1457/M.1457-12/DS |
| ETSI | ETSI TS 125 201 | 7.5.0 | Published | Jan 08 | http://www.etsi.org/deliver/etsi_ts/125200_125299/125201/07.05.00_60/ |
| TTA | TTAT.3G-25.201(R7-7.5.0) | 7.5.0 | Approved | Oct 08 | http://www.tta.or.kr/data/ttasDown.jsp?where=14688&pk_num=TTAT.3G-25.201(R7-7.5.0) |
| Release 8 | | | | | |
| ARIB | ARIB STD-T63-25.201 | 8.1.0 | Approved | Jul 13 | http://www.arib.or.jp/english/html/overview/doc/STD-T63v10_00/2_T63/ARIB-STD-T63/Rel8/25/A25201-810.pdf |
| ATIS | ATIS.3GPP.25.201V810-2008 | 8.1.0 | Approved | Oct 08 | https://www.atis.org/docstore/default.aspx |
| CCSA | CCSA-TSD-DS-25.201 | 8.1.0 | Published | Oct 08 | http://www.ccsa.org.cn/english/tc/files.php?docpath=/ITU-R/M.1457/M.1457-12/DS |
| ETSI | ETSI TS 125 201 | 8.1.0 | Published | Oct 08 | http://www.etsi.org/deliver/etsi_ts/125200_125299/125201/08.01.00_60/ |
| TTA | TTAT.3G-25.201(R8-8.1.0) | 8.1.0 | Approved | Oct 08 | http://www.tta.or.kr/data/ttasDown.jsp?where=14688&pk_num=TTAT.3G-25.201(R8-8.1.0) |
| Release 9 | | | | | |
| ARIB | ARIB STD-T63-25.201 | 9.0.0 | Approved | Jul 13 | http://www.arib.or.jp/english/html/overview/doc/STD-T63v10_00/2_T63/ARIB-STD-T63/Rel9/25/A25201-900.pdf |
| ATIS | ATIS.3GPP.25.201V900-2010 | 9.0.0 | Approved | Jul 10 | https://www.atis.org/docstore/default.aspx |
| CCSA | CCSA-TSD-DS-25.201 | 9.0.0 | Published | Mar 10 | http://www.ccsa.org.cn/english/tc/files.php?docpath=/ITU-R/M.1457/M.1457-12/DS |
| ETSI | ETSI TS 125 201 | 9.0.0 | Published | Jan 10 | http://www.etsi.org/deliver/etsi_ts/125200_125299/125201/09.00.00_60/ |
| TTA | TTAT.3G-25.201(R9-9.0.0) | 9.0.0 | Approved | Jul 10 | http://www.tta.or.kr/data/ttasDown.jsp?where=14688&pk_num=TTAT.3G-25.201(R9-9.0.0) |
| Release 10 | | | | | |
| ARIB | ARIB STD-T63-25.201 | 10.0.0 | Approved | Jul 13 | http://www.arib.or.jp/english/html/overview/doc/STD-T63v10_00/2_T63/ARIB-STD-T63/Rel10/25/A25201-a00.pdf |
| ATIS | ATIS.3GPP.25.201V1000-2012 | 10.0.0 | Approved | Jul 12 | https://www.atis.org/docstore/default.aspx |
| CCSA | CCSA-TSD-DS-25.201 | 10.0.0 | Published | Jun 12 | http://www.ccsa.org.cn/english/tc/files.php?docpath=/ITU-R/M.1457/M.1457-12/DS |
| ETSI | ETSI TS 125 201 | 10.0.0 | Published | Apr 11 | http://www.etsi.org/deliver/etsi_ts/125200_125299/125201/10.00.00_60/ |
| TTA | TTAT.3G-25.201(R10-10.0.0) | 10.0.0 | Approved | Aug 12 | http://www.tta.or.kr/data/ttasDown.jsp?where=14688&pk_num=TTAT.3G-25.201(R10-10.0.0) |
| Release 11 | | | | | |
| ARIB | ARIB STD-T63-25.201 | 11.1.0 | Approved | Jul 13 | http://www.arib.or.jp/english/html/overview/doc/STD-T63v10_00/2_T63/ARIB-STD-T63/Rel11/25/A25201-b10.pdf |
| ATIS | ATIS.3GPP.25.201V1110-2014 | 11.1.0 | Approved | May 14 | https://www.atis.org/docstore/default.aspx |
| CCSA | CCSA-TSD-DS-25.201 | 11.1.0 | Published | Jun 14 | http://www.ccsa.org.cn/english/tc/files.php?docpath=/ITU-R/M.1457/M.1457-12/DS |
| ETSI | ETSI TS 125 201 | 11.1.0 | Published | Jan 13 | http://www.etsi.org/deliver/etsi_ts/125200_125299/125201/11.01.00_60/ |
| TTA | TTAT.3G-25.201(R11-11.1.0) | 11.1.0 | published | Aug 14 | http://www.tta.or.kr/data/ttasDown.jsp?where=14688&pk_num=TTAT.3G-21.111(R11-11.0.1) |

5.1.2.1.2 TS 25.211

Physical channels and mapping of transport channels onto physical channels (FDD)

This specification describes the characteristics of the Layer 1 transport channels and physical channels in the FDD mode of UTRA. The main objectives of the specification are to be a part of the full description of the UTRA Layer 1, and to serve as a basis for the drafting of the actual technical specification.

| SDO (2) | Document No. | Version | Status | Issued date | Location (1) |
|-------------------|---------------------------|---------|-----------|-------------|---|
| Release 99 | | | | | |
| ARIB | ARIB STD-T63-25.211 | 3.12.0 | Approved | Jul 13 | http://www.arib.or.jp/english/html/overview/doc/STD-T63v10_00/2_T63/ARIB-STD-T63/R99/25/A25211-3c0.pdf |
| ATIS | T1.3GPP.25.211V3120-2003 | 3.12.0 | Approved | Mar 03 | https://www.atis.org/docstore/default.aspx |
| CCSA | CCSA-TSD-DS-25.211 | 3.12.0 | Published | Oct 02 | http://www.ccsa.org.cn/english/tc/files.php?docpath=/ITU-R/M.1457/M.1457-12/DS |
| ETSI | ETSI TS 125 211 | 3.12.0 | Published | Oct 02 | http://www.etsi.org/deliver/etsi_ts/125200_125299/125211/03.12.00_60/ |
| TTA | TTAT.3G-25.211(R99F-3120) | 3.12.0 | Approved | Mar 03 | http://www.tta.or.kr/data/ttasDown.jsp?where=14688&pk_num=TTAT.3G-25.211(R99F-3120) |

Release 4

| | | | | | |
|------|---------------------------|-------|-----------|--------|---|
| ARIB | ARIB STD-T63-25.211 | 4.6.0 | Approved | Jul 13 | http://www.arib.or.jp/english/html/overview/doc/STD-T63v10_00/2_T63/ARIB-STD-T63/Rel4/25/A25211-460.pdf |
| ATIS | T1.3GPP.25.211V460-2003 | 4.6.0 | Approved | Mar 03 | https://www.atis.org/docstore/default.aspx |
| CCSA | CCSA-TSD-DS-25.211 | 4.6.0 | Published | Oct 02 | http://www.ccsa.org.cn/english/tc/files.php?docpath=/ITU-R/M.1457/M.1457-12/DS |
| ETSI | ETSI TS 125 211 | 4.6.0 | Published | Oct 02 | http://www.etsi.org/deliver/etsi_ts/125200_125299/125211/04.06.00_60/ |
| TTA | TTAT.3G-25.211(R4F-4.6.0) | 4.6.0 | Approved | Mar 03 | http://www.tta.or.kr/data/ttasDown.jsp?where=14688&pk_num=TTAT.3G-25.211(R4F-4.6.0) |

Release 5

| | | | | | |
|------|---------------------------|-------|-----------|--------|---|
| ARIB | ARIB STD-T63-25.211 | 5.8.0 | Approved | Jul 13 | http://www.arib.or.jp/english/html/overview/doc/STD-T63v10_00/2_T63/ARIB-STD-T63/Rel5/25/A25211-580.pdf |
| ATIS | ATIS.3GPP.25.211V580-2006 | 5.8.0 | Approved | Apr 06 | https://www.atis.org/docstore/default.aspx |
| CCSA | CCSA-TSD-DS-25.211 | 5.8.0 | Published | Jan 06 | http://www.ccsa.org.cn/english/tc/files.php?docpath=/ITU-R/M.1457/M.1457-12/DS |
| ETSI | ETSI TS 125 211 | 5.8.0 | Published | Jan 06 | http://www.etsi.org/deliver/etsi_ts/125200_125299/125211/05.08.00_60/ |
| TTA | TTAT.3G-25.211(R5F-5.8.0) | 5.8.0 | Approved | Apr 06 | http://www.tta.or.kr/data/ttasDown.jsp?where=14688&pk_num=TTAT.3G-25.211(R5F-5.8.0) |

Release 6

| | | | | | |
|------|----------------------------|--------|-----------|--------|---|
| ARIB | ARIB STD-T63-25.211 | 6.10.0 | Approved | Jul 13 | http://www.arib.or.jp/english/html/overview/doc/STD-T63v10_00/2_T63/ARIB-STD-T63/Rel6/25/A25211-6a0.pdf |
| ATIS | ATIS.3GPP.25.211V6100-2010 | 6.10.0 | Approved | Jul 10 | https://www.atis.org/docstore/default.aspx |
| CCSA | CCSA-TSD-DS-25.211 | 6.10.0 | Published | Mar 10 | http://www.ccsa.org.cn/english/tc/files.php?docpath=/ITU-R/M.1457/M.1457-12/DS |
| ETSI | ETSI TS 125 211 | 6.10.0 | Published | Oct 09 | http://www.etsi.org/deliver/etsi_ts/125200_125299/125211/06.10.00_60/ |
| TTA | TTAT.3G-25.211(R6F-6.9.0) | 6.9.0 | Approved | Oct 08 | http://www.tta.or.kr/data/ttasDown.jsp?where=14688&pk_num=TTAT.3G-25.211(R6F-6.9.0) |

Release 7

| | | | | | |
|------|----------------------------|--------|-----------|--------|---|
| ARIB | ARIB STD-T63-25.211 | 7.10.0 | Approved | Jul 13 | http://www.arib.or.jp/english/html/overview/doc/STD-T63v10_00/2_T63/ARIB-STD-T63/Rel7/25/A25211-7a0.pdf |
| ATIS | ATIS.3GPP.25.211V7100-2012 | 7.10.0 | Approved | Jul 12 | https://www.atis.org/docstore/default.aspx |
| CCSA | CCSA-TSD-DS-25.211 | 7.10.0 | Published | Jun 12 | http://www.ccsa.org.cn/english/tc/files.php?docpath=/ITU-R/M.1457/M.1457-12/DS |
| ETSI | ETSI TS 125 211 | 7.10.0 | Published | Oct 10 | http://www.etsi.org/deliver/etsi_ts/125200_125299/125211/07.10.00_60/ |
| TTA | TTAT.3G-25.211(R7F-7.7.0) | 7.7.0 | Approved | Jul 09 | http://www.tta.or.kr/data/ttasDown.jsp?where=14688&pk_num=TTAT.3G-25.211(R7F-7.7.0) |

Release 8

| | | | | | |
|------|---------------------------|-------|-----------|--------|---|
| ARIB | ARIB STD-T63-25.211 | 8.7.0 | Approved | Jul 13 | http://www.arib.or.jp/english/html/overview/doc/STD-T63v10_00/2_T63/ARIB-STD-T63/Rel8/25/A25211-870.pdf |
| ATIS | ATIS.3GPP.25.211V870-2012 | 8.7.0 | Approved | Jul 12 | https://www.atis.org/docstore/default.aspx |
| CCSA | CCSA-TSD-DS-25.211 | 8.7.0 | Published | Jun 12 | http://www.ccsa.org.cn/english/tc/files.php?docpath=/ITU-R/M.1457/M.1457-12/DS |
| ETSI | ETSI TS 125 211 | 8.7.0 | Published | Oct 10 | http://www.etsi.org/deliver/etsi_ts/125200_125299/125211/08.07.00_60/ |
| TTA | TTAT.3G-25.211(R8F-8.4.0) | 8.4.0 | Approved | Jul 09 | http://www.tta.or.kr/data/ttasDown.jsp?where=14688&pk_num=TTAT.3G-25.211(R8F-8.4.0) |

Release 9

| | | | | | |
|------|---------------------------|-------|-----------|--------|---|
| ARIB | ARIB STD-T63-25.211 | 9.2.0 | Approved | Jul 13 | http://www.arib.or.jp/english/html/overview/doc/STD-T63v10_00/2_T63/ARIB-STD-T63/Rel9/25/A25211-920.pdf |
| ATIS | ATIS.3GPP.25.211V920-2012 | 9.2.0 | Approved | Jul 12 | https://www.atis.org/docstore/default.aspx |
| CCSA | CCSA-TSD-DS-25.211 | 9.2.0 | Published | Jun 12 | http://www.ccsa.org.cn/english/tc/files.php?docpath=/ITU-R/M.1457/M.1457-12/DS |
| ETSI | ETSI TS 125 211 | 9.2.0 | Published | Oct 10 | http://www.etsi.org/deliver/etsi_ts/125200_125299/125211/09.02.00_60/ |
| TTA | TTAT.3G-25.211(R9-9.1.0) | 9.1.0 | Approved | Jul 10 | http://www.tta.or.kr/data/ttasDown.jsp?where=14688&pk_num=TTAT.3G-25.211(R9-9.1.0) |

Release 10

| | | | | | |
|------|----------------------------|--------|-----------|--------|---|
| ARIB | ARIB STD-T63-25.211 | 10.0.0 | Approved | Jul 13 | http://www.arib.or.jp/english/html/overview/doc/STD-T63v10_00/2_T63/ARIB-STD-T63/Rel10/25/A25211-a00.pdf |
| ATIS | ATIS.3GPP.25.211V1000-2012 | 10.0.0 | Approved | Jul 12 | https://www.atis.org/docstore/default.aspx |
| CCSA | CCSA-TSD-DS-25.211 | 10.0.0 | Published | Jun 12 | http://www.ccsa.org.cn/english/tc/files.php?docpath=/ITU-R/M.1457/M.1457-12/DS |
| ETSI | ETSI TS 125 211 | 10.0.0 | Published | May 11 | http://www.etsi.org/deliver/etsi_ts/125200_125299/125211/10.00.00_60/ |
| TTA | TTAT.3G-25.211(R10-10.0.0) | 10.0.0 | Approved | Aug 12 | http://www.tta.or.kr/data/ttasDown.jsp?where=14688&pk_num=TTAT.3G-25.211(R10-10.0.0) |

Release 11

| | | | | | |
|------|---------------------|--------|----------|--------|---|
| ARIB | ARIB STD-T63-25.211 | 11.3.0 | Approved | Jul 13 | http://www.arib.or.jp/english/html/overview/doc/STD-T63v10_00/2_T63/ARIB-STD-T63/Rel11/25/A25211-b30.pdf |
|------|---------------------|--------|----------|--------|---|

| | | | | | |
|------|----------------------------|--------|-----------|--------|---|
| ATIS | ATIS.3GPP.25.211V1130-2014 | 11.3.0 | Approved | May 14 | https://www.atis.org/docstore/default.aspx |
| CCSA | CCSA-TSD-DS-25.211 | 11.4.0 | Published | Jun 14 | http://www.ccsa.org.cn/english/tc/files.php?docpath=/ITU-R/M.1457/M.1457-12/DS |
| ETSI | ETSI TS 125 211 | 11.3.0 | Published | Apr 13 | http://www.etsi.org/deliver/etsi_ts/125200_125299/125211/11.03.00_60/ |
| TTA | TTAT.3G-25.211(R11-11.3.0) | 11.3.0 | published | Aug 14 | http://www.tta.or.kr/data/ttasDown.jsp?where=14688&pk_num=TTAT.3G-21.201(R11-11.0.0) |

5.1.2.1.3 TS 25.212

Multiplexing and channel coding (FDD)

This specification describes the characteristics of the Layer 1 multiplexing and channel coding in the FDD mode of UTRA.

| SDO (2) | Document No. | Version | Status | Issued date | Location (1) |
|-------------------|----------------------------|---------|-----------|-------------|---|
| Release 99 | | | | | |
| ARIB | ARIB STD-T63-25.212 | 3.11.0 | Approved | Jul 13 | http://www.arib.or.jp/english/html/overview/doc/STD-T63v10_00/2_T63/ARIB-STD-T63/R99/25/A25212-3b0.pdf |
| ATIS | T1.3GPP.25.212V3110-2003 | 3.11.0 | Approved | Mar 03 | https://www.atis.org/docstore/default.aspx |
| CCSA | CCSA-TSD-DS-25.212 | 3.11.0 | Published | Oct 02 | http://www.ccsa.org.cn/english/tc/files.php?docpath=/ITU-R/M.1457/M.1457-12/DS |
| ETSI | ETSI TS 125 212 | 3.11.0 | Published | Oct 02 | http://www.etsi.org/deliver/etsi_ts/125200_125299/125212/03.11.00_60/ |
| TTA | TTAT.3G-25.212(R99F-3110) | 3.11.0 | Approved | Mar 03 | http://www.tta.or.kr/data/ttasDown.jsp?where=14688&pk_num=TTAT.3G-25.212(R99F-3110) |
| Release 4 | | | | | |
| ARIB | ARIB STD-T63-25.212 | 4.6.0 | Approved | Jul 13 | http://www.arib.or.jp/english/html/overview/doc/STD-T63v10_00/2_T63/ARIB-STD-T63/Rel4/25/A25212-460.pdf |
| ATIS | T1.3GPP.25.212V460-2003 | 4.6.0 | Approved | Mar 03 | https://www.atis.org/docstore/default.aspx |
| CCSA | CCSA-TSD-DS-25.212 | 4.6.0 | Published | Oct 02 | http://www.ccsa.org.cn/english/tc/files.php?docpath=/ITU-R/M.1457/M.1457-12/DS |
| ETSI | ETSI TS 125 212 | 4.6.0 | Published | Oct 02 | http://www.etsi.org/deliver/etsi_ts/125200_125299/125212/04.06.00_60/ |
| TTA | TTAT.3G-25.212(R4F-4.6.0) | 4.6.0 | Approved | Mar 03 | http://www.tta.or.kr/data/ttasDown.jsp?where=14688&pk_num=TTAT.3G-25.212(R4F-4.6.0) |
| Release 5 | | | | | |
| ARIB | ARIB STD-T63-25.212 | 5.10.0 | Approved | Jul 13 | http://www.arib.or.jp/english/html/overview/doc/STD-T63v10_00/2_T63/ARIB-STD-T63/Rel5/25/A25212-5a0.pdf |
| ATIS | ATIS.3GPP.25.212V5100-2006 | 5.10.0 | Approved | Apr 06 | https://www.atis.org/docstore/default.aspx |
| CCSA | CCSA-TSD-DS-25.212 | 5.10.0 | Published | Jul 05 | http://www.ccsa.org.cn/english/tc/files.php?docpath=/ITU-R/M.1457/M.1457-12/DS |
| ETSI | ETSI TS 125 212 | 5.10.0 | Published | Jul 05 | http://www.etsi.org/deliver/etsi_ts/125200_125299/125212/05.10.00_60/ |
| TTA | TTAT.3G-25.212(R5F-5.10.0) | 5.10.0 | Approved | Apr 06 | http://www.tta.or.kr/data/ttasDown.jsp?where=14688&pk_num=TTAT.3G-25.212(R5F-5.10.0) |
| Release 6 | | | | | |
| ARIB | ARIB STD-T63-25.212 | 6.10.0 | Approved | Jul 13 | http://www.arib.or.jp/english/html/overview/doc/STD-T63v10_00/2_T63/ARIB-STD-T63/Rel6/25/A25212-6a0.pdf |
| ATIS | ATIS.3GPP.25.212V6100-2007 | 6.10.0 | Approved | Oct 07 | https://www.atis.org/docstore/default.aspx |
| CCSA | CCSA-TSD-DS-25.212 | 6.10.0 | Published | Jan 07 | http://www.ccsa.org.cn/english/tc/files.php?docpath=/ITU-R/M.1457/M.1457-12/DS |
| ETSI | ETSI TS 125 212 | 6.10.0 | Published | Jan 07 | http://www.etsi.org/deliver/etsi_ts/125200_125299/125212/06.10.00_60/ |
| TTA | TTAT.3G-25.212(R6F-6.10.0) | 6.10.0 | Approved | Dec 07 | http://www.tta.or.kr/data/ttasDown.jsp?where=14688&pk_num=TTAT.3G-25.212(R6F-6.10.0) |
| Release 7 | | | | | |
| ARIB | ARIB STD-T63-25.212 | 7.11.0 | Approved | Jul 13 | http://www.arib.or.jp/english/html/overview/doc/STD-T63v10_00/2_T63/ARIB-STD-T63/Rel7/25/A25212-7b0.pdf |
| ATIS | ATIS.3GPP.25.212V7110-2010 | 7.11.0 | Approved | Jul 10 | https://www.atis.org/docstore/default.aspx |
| CCSA | CCSA-TSD-DS-25.212 | 7.11.0 | Published | Mar 10 | http://www.ccsa.org.cn/english/tc/files.php?docpath=/ITU-R/M.1457/M.1457-12/DS |
| ETSI | ETSI TS 125 212 | 7.11.0 | Published | Oct 09 | http://www.etsi.org/deliver/etsi_ts/125200_125299/125212/07.11.00_60/ |
| TTA | TTAT.3G-25.212(R7F-7.10.0) | 7.10.0 | Approved | Jul 09 | http://www.tta.or.kr/data/ttasDown.jsp?where=14688&pk_num=TTAT.3G-25.212(R7F-7.10.0) |

Release 8

| | | | | | |
|------|---------------------------|-------|-----------|--------|---|
| ARIB | ARIB STD-T63-25.212 | 8.7.0 | Approved | Jul 13 | http://www.arib.or.jp/english/html/overview/doc/STD-T63v10_00/2_T63/ARIB-STD-T63/Rel8/25/A25212-870.pdf |
| ATIS | ATIS.3GPP.25.212V870-2014 | 8.7.0 | Approved | May 14 | https://www.atis.org/docstore/default.aspx |
| CCSA | CCSA-TSD-DS-25.212 | 8.6.0 | Published | Mar 10 | http://www.ccsa.org.cn/english/tc/files.php?docpath=/ITU-R/M.1457/M.1457-12/DS |
| ETSI | ETSI TS 125 212 | 8.7.0 | Published | Mar 12 | http://www.etsi.org/deliver/etsi_ts/125200_125299/125212/08.07.00_60/ |
| TTA | TTAT.3G-25.212(R8F-8.5.0) | 8.5.0 | Approved | Jul 09 | http://www.tta.or.kr/data/ttasDown.jsp?where=14688&pk_num=TTAT.3G-25.212(R8F-8.5.0) |

Release 9

| | | | | | |
|------|---------------------------|-------|-----------|--------|---|
| ARIB | ARIB STD-T63-25.212 | 9.5.0 | Approved | Jul 13 | http://www.arib.or.jp/english/html/overview/doc/STD-T63v10_00/2_T63/ARIB-STD-T63/Rel9/25/A25212-950.pdf |
| ATIS | ATIS.3GPP.25.212V950-2014 | 9.5.0 | Approved | May 14 | https://www.atis.org/docstore/default.aspx |
| CCSA | CCSA-TSD-DS-25.212 | 9.4.0 | Published | Jun 12 | http://www.ccsa.org.cn/english/tc/files.php?docpath=/ITU-R/M.1457/M.1457-12/DS |
| ETSI | ETSI TS 125 212 | 9.5.0 | Published | Mar 12 | http://www.etsi.org/deliver/etsi_ts/125200_125299/125212/09.05.00_60/ |
| TTA | TTAT.3G-25.212(R9-9.2.0) | 9.2.0 | Approved | Jul 10 | http://www.tta.or.kr/data/ttasDown.jsp?where=14688&pk_num=TTAT.3G-25.212(R9-9.2.0) |

Release 10

| | | | | | |
|------|----------------------------|--------|-----------|--------|---|
| ARIB | ARIB STD-T63-25.212 | 10.4.0 | Approved | Jul 13 | http://www.arib.or.jp/english/html/overview/doc/STD-T63v10_00/2_T63/ARIB-STD-T63/Rel10/25/A25212-a40.pdf |
| ATIS | ATIS.3GPP.25.212V1040-2014 | 10.4.0 | Approved | May 14 | https://www.atis.org/docstore/default.aspx |
| CCSA | CCSA-TSD-DS-25.212 | 10.1.0 | Published | Jun 12 | http://www.ccsa.org.cn/english/tc/files.php?docpath=/ITU-R/M.1457/M.1457-12/DS |
| ETSI | ETSI TS 125 212 | 10.4.0 | Published | Jan 13 | http://www.etsi.org/deliver/etsi_ts/125200_125299/125212/10.04.00_60/ |
| TTA | TTAT.3G-25.212(R10-10.2.0) | 10.2.0 | Approved | Aug 12 | http://www.tta.or.kr/data/ttasDown.jsp?where=14688&pk_num=TTAT.3G-25.212(R10-10.2.0) |

Release 11

| | | | | | |
|------|----------------------------|--------|-----------|--------|---|
| ARIB | ARIB STD-T63-25.212 | 11.4.0 | Approved | Jul 13 | http://www.arib.or.jp/english/html/overview/doc/STD-T63v10_00/2_T63/ARIB-STD-T63/Rel11/25/A25212-b40.pdf |
| ATIS | ATIS.3GPP.25.212V1140-2014 | 11.4.0 | Approved | May 14 | https://www.atis.org/docstore/default.aspx |
| CCSA | CCSA-TSD-DS-25.212 | 11.7.0 | Published | Jun 14 | http://www.ccsa.org.cn/english/tc/files.php?docpath=/ITU-R/M.1457/M.1457-12/DS |
| ETSI | ETSI TS 125 212 | 11.4.0 | Published | Jan 13 | http://www.etsi.org/deliver/etsi_ts/125200_125299/125212/11.04.00_60/ |
| TTA | TTAT.3G-25.212(R11-11.4.0) | 11.4.0 | published | Aug 14 | http://www.tta.or.kr/data/ttasDown.jsp?where=14688&pk_num=TTAT.3G-21.202(R11-11.0.0) |

5.1.2.1.4 TS 25.213**Spreading and modulation (FDD)**

This specification describes spreading and modulation for UTRA physical layer FDD mode.

| SDO (2) | Document No. | Version | Status | Issued date | Location (1) |
|-------------------|----------------------------|---------|-----------|-------------|---|
| Release 99 | | | | | |
| ARIB | ARIB STD-T63-25.213 | 3.9.0 | Approved | Jul 13 | http://www.arib.or.jp/english/html/overview/doc/STD-T63v10_00/2_T63/ARIB-STD-T63/R99/25/A25213-390.pdf |
| ATIS | T1.3GPP.25.213V390-2004 | 3.9.0 | Approved | May 04 | https://www.atis.org/docstore/default.aspx |
| CCSA | CCSA-TSD-DS-25.213 | 3.9.0 | Published | Jan 04 | http://www.ccsa.org.cn/english/tc/files.php?docpath=/ITU-R/M.1457/M.1457-13/DS |
| ETSI | ETSI TS 125 213 | 3.9.0 | Published | Jan 04 | http://www.etsi.org/deliver/etsi_ts/125200_125299/125213/03.09.00_60/ |
| TTA | TTAT.3G-25.213(R99F-3.9.0) | 3.9.0 | Approved | May 04 | http://www.tta.or.kr/data/ttasDown.jsp?where=14688&pk_num=TTAT.3G-25.213(R99F-3.9.0) |
| Release 4 | | | | | |
| ARIB | ARIB STD-T63-25.213 | 4.4.0 | Approved | Jul 13 | http://www.arib.or.jp/english/html/overview/doc/STD-T63v10_00/2_T63/ARIB-STD-T63/Rel4/25/A25213-440.pdf |
| ATIS | T1.3GPP.25.213V440-2004 | 4.4.0 | Approved | May 04 | https://www.atis.org/docstore/default.aspx |
| CCSA | CCSA-TSD-DS-25.213 | 4.4.0 | Published | Jan 04 | http://www.ccsa.org.cn/english/tc/files.php?docpath=/ITU-R/M.1457/M.1457-12/DS |
| ETSI | ETSI TS 125 213 | 4.4.0 | Published | Jan 04 | http://www.etsi.org/deliver/etsi_ts/125200_125299/125213/04.04.00_60/ |

| | | | | | |
|-------------------|----------------------------|--------|-----------|--------|---|
| TTA | TTAT.3G-25.213(R4F-4.4.0) | 4.4.0 | Approved | May 04 | http://www.tta.or.kr/data/ttasDown.jsp?where=14688&pk_num=TTAT.3G-25.213(R4F-4.4.0) |
| Release 5 | | | | | |
| ARIB | ARIB STD-T63-25.213 | 5.6.0 | Approved | Jul 13 | http://www.arib.or.jp/english/html/overview/doc/STD-T63v10_00/2_T63/ARIB-STD-T63/Rel5/25/A25213-560.pdf |
| ATIS | ATIS.3GPP.25.213V560-2006 | 5.6.0 | Approved | Apr 06 | https://www.atis.org/docstore/default.aspx |
| CCSA | CCSA-TSD-DS-25.213 | 5.6.0 | Published | Jul 05 | http://www.ccsa.org.cn/english/tc/files.php?docpath=/ITU-R/M.1457/M.1457-12/DS |
| ETSI | ETSI TS 125 213 | 5.6.0 | Published | Jul 05 | http://www.etsi.org/deliver/etsi_ts/125200_125299/125213/05.06.00_60/ |
| TTA | TTAT.3G-25.213(R5F-5.6.0) | 5.6.0 | Approved | Apr 06 | http://www.tta.or.kr/data/ttasDown.jsp?where=14688&pk_num=TTAT.3G-25.213(R5F-5.6.0) |
| Release 6 | | | | | |
| ARIB | ARIB STD-T63-25.213 | 6.5.0 | Approved | Jul 13 | http://www.arib.or.jp/english/html/overview/doc/STD-T63v10_00/2_T63/ARIB-STD-T63/Rel6/25/A25213-650.pdf |
| ATIS | ATIS.3GPP.25.213V650-2007 | 6.5.0 | Approved | Oct 07 | https://www.atis.org/docstore/default.aspx |
| CCSA | CCSA-TSD-DS-25.213 | 6.5.0 | Published | May 06 | http://www.ccsa.org.cn/english/tc/files.php?docpath=/ITU-R/M.1457/M.1457-12/DS |
| ETSI | ETSI TS 125 213 | 6.5.0 | Published | May 06 | http://www.etsi.org/deliver/etsi_ts/125200_125299/125213/06.05.00_60/ |
| TTA | TTAT.3G-25.213(R6F-6.5.0) | 6.5.0 | Approved | Dec 07 | http://www.tta.or.kr/data/ttasDown.jsp?where=14688&pk_num=TTAT.3G-25.213(R6F-6.5.0) |
| Release 7 | | | | | |
| ARIB | ARIB STD-T63-25.213 | 7.7.0 | Approved | Jul 13 | http://www.arib.or.jp/english/html/overview/doc/STD-T63v10_00/2_T63/ARIB-STD-T63/Rel7/25/A25213-770.pdf |
| ATIS | ATIS.3GPP.25.213V770-2010 | 7.7.0 | Approved | Jul 10 | https://www.atis.org/docstore/default.aspx |
| CCSA | CCSA-TSD-DS-25.213 | 7.7.0 | Published | Mar 10 | http://www.ccsa.org.cn/english/tc/files.php?docpath=/ITU-R/M.1457/M.1457-12/DS |
| ETSI | ETSI TS 125 213 | 7.7.0 | Published | Jan 10 | http://www.etsi.org/deliver/etsi_ts/125200_125299/125213/07.07.00_60/ |
| TTA | TTAT.3G-25.213(R7F-7.6.0) | 7.6.0 | Approved | Jul 09 | http://www.tta.or.kr/data/ttasDown.jsp?where=14688&pk_num=TTAT.3G-25.213(R7F-7.6.0) |
| Release 8 | | | | | |
| ARIB | ARIB STD-T63-25.213 | 8.5.0 | Approved | Jul 13 | http://www.arib.or.jp/english/html/overview/doc/STD-T63v10_00/2_T63/ARIB-STD-T63/Rel8/25/A25213-850.pdf |
| ATIS | ATIS.3GPP.25.213V850-2010 | 8.5.0 | Approved | Jul 10 | https://www.atis.org/docstore/default.aspx |
| CCSA | CCSA-TSD-DS-25.213 | 8.5.0 | Published | Mar 10 | http://www.ccsa.org.cn/english/tc/files.php?docpath=/ITU-R/M.1457/M.1457-12/DS |
| ETSI | ETSI TS 125 213 | 8.5.0 | Published | Jan 10 | http://www.etsi.org/deliver/etsi_ts/125200_125299/125213/08.05.00_60/ |
| TTA | TTAT.3G-25.213(R8F-8.4.0) | 8.4.0 | Approved | Jul 09 | http://www.tta.or.kr/data/ttasDown.jsp?where=14688&pk_num=TTAT.3G-25.213(R8F-8.4.0) |
| Release 9 | | | | | |
| ARIB | ARIB STD-T63-25.213 | 9.2.0 | Approved | Jul 13 | http://www.arib.or.jp/english/html/overview/doc/STD-T63v10_00/2_T63/ARIB-STD-T63/Rel9/25/A25213-920.pdf |
| ATIS | ATIS.3GPP.25.213V920-2012 | 9.2.0 | Approved | Jul 12 | https://www.atis.org/docstore/default.aspx |
| CCSA | CCSA-TSD-DS-25.213 | 9.2.0 | Published | Jun 12 | http://www.ccsa.org.cn/english/tc/files.php?docpath=/ITU-R/M.1457/M.1457-12/DS |
| ETSI | ETSI TS 125 213 | 9.2.0 | Published | Oct 10 | http://www.etsi.org/deliver/etsi_ts/125200_125299/125213/09.02.00_60/ |
| TTA | TTAT.3G-25.213(R9-9.1.0) | 9.1.0 | Approved | Jul 10 | http://www.tta.or.kr/data/ttasDown.jsp?where=14688&pk_num=TTAT.3G-25.213(R9-9.1.0) |
| Release 10 | | | | | |
| ARIB | ARIB STD-T63-25.213 | 10.0.0 | Approved | Jul 13 | http://www.arib.or.jp/english/html/overview/doc/STD-T63v10_00/2_T63/ARIB-STD-T63/Rel10/25/A25213-a00.pdf |
| ATIS | ATIS.3GPP.25.213V1000-2012 | 10.0.0 | Approved | Jul 12 | https://www.atis.org/docstore/default.aspx |
| CCSA | CCSA-TSD-DS-25.213 | 10.0.0 | Published | Jun 12 | http://www.ccsa.org.cn/english/tc/files.php?docpath=/ITU-R/M.1457/M.1457-12/DS |
| ETSI | ETSI TS 125 213 | 10.0.0 | Published | May 11 | http://www.etsi.org/deliver/etsi_ts/125200_125299/125213/10.00.00_60/ |
| TTA | TTAT.3G-25.213(R10-10.0.0) | 10.0.0 | Approved | Aug 12 | http://www.tta.or.kr/data/ttasDown.jsp?where=14688&pk_num=TTAT.3G-25.213(R10-10.0.0) |
| Release 11 | | | | | |
| ARIB | ARIB STD-T63-25.213 | 11.4.0 | Approved | Jul 13 | http://www.arib.or.jp/english/html/overview/doc/STD-T63v10_00/2_T63/ARIB-STD-T63/Rel11/25/A25213-b40.pdf |
| ATIS | ATIS.3GPP.25.213V1140-2014 | 11.4.0 | Approved | May 14 | https://www.atis.org/docstore/default.aspx |
| CCSA | CCSA-TSD-DS-25.213 | 11.4.0 | Published | Jun 14 | http://www.ccsa.org.cn/english/tc/files.php?docpath=/ITU-R/M.1457/M.1457-14/DS |
| ETSI | ETSI TS 125 213 | 11.4.0 | Published | Jan 13 | http://www.etsi.org/deliver/etsi_ts/125200_125299/125213/11.04.00_60/ |
| TTA | TTAT.3G-25.213(R11-11.4.0) | 11.4.0 | published | Aug 14 | http://www.tta.or.kr/data/ttasDown.jsp?where=14688&pk_num=TTAT.3G-21.900(R11-11.0.0) |

5.1.2.1.5 TS 25.214

Physical layer procedures (FDD)

This specification describes and establishes the characteristics of the physical layer procedures in the FDD mode of UTRA.

| SDO (2) | Document No. | Version | Status | Issued date | Location (1) |
|-------------------|-----------------------------|---------|-----------|-------------|---|
| Release 99 | | | | | |
| ARIB | ARIB STD-T63-25.214 | 3.12.0 | Approved | Jul 13 | http://www.arib.or.jp/english/html/overview/doc/STD-T63v10_00/2_T63/ARIB-STD-T63/R99/25/A25214-3c0.pdf |
| ATIS | T1.3GPP.25.214V3120-2004 | 3.12.0 | Approved | May 04 | https://www.atis.org/docstore/default.aspx |
| CCSA | CCSA-TSD-DS-25.214 | 3.12.0 | Published | Apr 03 | http://www.ccsa.org.cn/english/tc/files.php?docpath=/ITU-R/M.1457/M.1457-12/DS |
| ETSI | ETSI TS 125 214 | 3.12.0 | Published | Apr 03 | http://www.etsi.org/deliver/etsi_ts/125200_125299/125214/03.12.00_60/ |
| TTA | TTAT.3G-25.214(R99F-3.12.0) | 3.12.0 | Approved | May 04 | http://www.tta.or.kr/data/ttasDown.jsp?where=14688&pk_num=TTAT.3G-25.214(R99F-3.12.0) |
| Release 4 | | | | | |
| ARIB | ARIB STD-T63-25.214 | 4.6.0 | Approved | Jul 13 | http://www.arib.or.jp/english/html/overview/doc/STD-T63v10_00/2_T63/ARIB-STD-T63/Rel4/25/A25214-460.pdf |
| ATIS | T1.3GPP.25.214V460-2004 | 4.6.0 | Approved | May 04 | https://www.atis.org/docstore/default.aspx |
| CCSA | CCSA-TSD-DS-25.214 | 4.6.0 | Published | Apr 03 | http://www.ccsa.org.cn/english/tc/files.php?docpath=/ITU-R/M.1457/M.1457-12/DS |
| ETSI | ETSI TS 125 214 | 4.6.0 | Published | Apr 03 | http://www.etsi.org/deliver/etsi_ts/125200_125299/125214/04.06.00_60/ |
| TTA | TTAT.3G-25.214(R4F-4.6.0) | 4.6.0 | Approved | May 04 | http://www.tta.or.kr/data/ttasDown.jsp?where=14688&pk_num=TTAT.3G-25.214(R4F-4.6.0) |
| Release 5 | | | | | |
| ARIB | ARIB STD-T63-25.214 | 5.11.0 | Approved | Jul 13 | http://www.arib.or.jp/english/html/overview/doc/STD-T63v10_00/2_T63/ARIB-STD-T63/Rel5/25/A25214-5b0.pdf |
| ATIS | ATIS.3GPP.25.214V5110-2006 | 5.11.0 | Approved | Apr 06 | https://www.atis.org/docstore/default.aspx |
| CCSA | CCSA-TSD-DS-25.214 | 5.11.0 | Published | Jul 05 | http://www.ccsa.org.cn/english/tc/files.php?docpath=/ITU-R/M.1457/M.1457-12/DS |
| ETSI | ETSI TS 125 214 | 5.11.0 | Published | Jul 05 | http://www.etsi.org/deliver/etsi_ts/125200_125299/125214/05.11.00_60/ |
| TTA | TTAT.3G-25.214(R5F-5.11.0) | 5.11.0 | Approved | Apr 06 | http://www.tta.or.kr/data/ttasDown.jsp?where=14688&pk_num=TTAT.3G-25.214(R5F-5.11.0) |
| Release 6 | | | | | |
| ARIB | ARIB STD-T63-25.214 | 6.11.0 | Approved | Jul 13 | http://www.arib.or.jp/english/html/overview/doc/STD-T63v10_00/2_T63/ARIB-STD-T63/Rel6/25/A25214-6b0.pdf |
| ATIS | ATIS.3GPP.25.214V6110-2007 | 6.11.0 | Approved | Oct 07 | https://www.atis.org/docstore/default.aspx |
| CCSA | CCSA-TSD-DS-25.214 | 6.11.0 | Published | Dec 06 | http://www.ccsa.org.cn/english/tc/files.php?docpath=/ITU-R/M.1457/M.1457-12/DS |
| ETSI | ETSI TS 125 214 | 6.11.0 | Published | Dec 06 | http://www.etsi.org/deliver/etsi_ts/125200_125299/125214/06.11.00_60/ |
| TTA | TTAT.3G-25.214(R6F-6.11.0) | 6.11.0 | Approved | Dec 07 | http://www.tta.or.kr/data/ttasDown.jsp?where=14688&pk_num=TTAT.3G-25.214(R6F-6.11.0) |
| Release 7 | | | | | |
| ARIB | ARIB STD-T63-25.214 | 7.17.0 | Approved | Jul 13 | http://www.arib.or.jp/english/html/overview/doc/STD-T63v10_00/2_T63/ARIB-STD-T63/Rel7/25/A25214-7h0.pdf |
| ATIS | ATIS.3GPP.25.214V7170-2012 | 7.17.0 | Approved | Jul 12 | https://www.atis.org/docstore/default.aspx |
| CCSA | CCSA-TSD-DS-25.214 | 7.17.0 | Published | Jun 12 | http://www.ccsa.org.cn/english/tc/files.php?docpath=/ITU-R/M.1457/M.1457-12/DS |
| ETSI | ETSI TS 125 214 | 7.17.0 | Published | Jan 11 | http://www.etsi.org/deliver/etsi_ts/125200_125299/125214/07.17.00_60/ |
| TTA | TTAT.3G-25.214(R7F-7.11.0) | 7.11.0 | Approved | Jul 09 | http://www.tta.or.kr/data/ttasDown.jsp?where=14688&pk_num=TTAT.3G-25.214(R7F-7.11.0) |
| Release 8 | | | | | |
| ARIB | ARIB STD-T63-25.214 | 8.13.0 | Approved | Jul 13 | http://www.arib.or.jp/english/html/overview/doc/STD-T63v10_00/2_T63/ARIB-STD-T63/Rel8/25/A25214-8d0.pdf |
| ATIS | ATIS.3GPP.25.214V8130-2014 | 8.13.0 | Approved | May 14 | https://www.atis.org/docstore/default.aspx |
| CCSA | CCSA-TSD-DS-25.214 | 8.12.0 | Published | Jun 12 | http://www.ccsa.org.cn/english/tc/files.php?docpath=/ITU-R/M.1457/M.1457-12/DS |
| ETSI | ETSI TS 125 214 | 8.13.0 | Published | Mar 12 | http://www.etsi.org/deliver/etsi_ts/125200_125299/125214/08.13.00_60/ |
| TTA | TTAT.3G-25.214(R8F-8.5.0) | 8.5.0 | Approved | Jul 09 | http://www.tta.or.kr/data/ttasDown.jsp?where=14688&pk_num=TTAT.3G-25.214(R8F-8.5.0) |

Release 9

| | | | | | |
|------|---------------------------|-------|-----------|--------|---|
| ARIB | ARIB STD-T63-25.214 | 9.8.0 | Approved | Jul 13 | http://www.arib.or.jp/english/html/overview/doc/STD-T63v10_00/2_T63/ARIB-STD-T63/Rel9/25/A25214-980.pdf |
| ATIS | ATIS.3GPP.25.214V980-2014 | 9.8.0 | Approved | May 14 | https://www.atis.org/docstore/default.aspx |
| CCSA | CCSA-TSD-DS-25.214 | 9.7.0 | Published | Jun 12 | http://www.ccsa.org.cn/english/tc/files.php?docpath=/ITU-R/M.1457/M.1457-12/DS |
| ETSI | ETSI TS 125 214 | 9.8.0 | Published | Mar 12 | http://www.etsi.org/deliver/etsi_ts/125200_125299/125214/09.08.00_60/ |
| TTA | TTAT.3G-25.214(R9-9.2.0) | 9.2.0 | Approved | Jul 10 | http://www.tta.or.kr/data/ttasDown.jsp?where=14688&pk_num=TTAT.3G-25.214(R9-9.2.0) |

Release 10

| | | | | | |
|------|----------------------------|--------|-----------|--------|---|
| ARIB | ARIB STD-T63-25.214 | 10.6.0 | Approved | Jul 13 | http://www.arib.or.jp/english/html/overview/doc/STD-T63v10_00/2_T63/ARIB-STD-T63/Rel10/25/A25214-a60.pdf |
| ATIS | ATIS.3GPP.25.214V1060-2014 | 10.6.0 | Approved | May 14 | https://www.atis.org/docstore/default.aspx |
| CCSA | CCSA-TSD-DS-25.214 | 10.5.0 | Published | Jun 12 | http://www.ccsa.org.cn/english/tc/files.php?docpath=/ITU-R/M.1457/M.1457-12/DS |
| ETSI | ETSI TS 125 214 | 10.6.0 | Published | Mar 12 | http://www.etsi.org/deliver/etsi_ts/125200_125299/125214/10.06.00_60/ |
| TTA | TTAT.3G-25.214(R10-10.6.0) | 10.6.0 | Approved | Aug 12 | http://www.tta.or.kr/data/ttasDown.jsp?where=14688&pk_num=TTAT.3G-25.214(R10-10.6.0) |

Release 11

| | | | | | |
|------|----------------------------|--------|-----------|--------|---|
| ARIB | ARIB STD-T63-25.214 | 11.5.0 | Approved | Jul 13 | http://www.arib.or.jp/english/html/overview/doc/STD-T63v10_00/2_T63/ARIB-STD-T63/Rel11/25/A25214-b50.pdf |
| ATIS | ATIS.3GPP.25.214V1150-2014 | 11.5.0 | Approved | May 14 | https://www.atis.org/docstore/default.aspx |
| ETSI | ETSI TS 125 214 | 11.5.0 | Published | Apr 13 | http://www.etsi.org/deliver/etsi_ts/125200_125299/125214/11.05.00_60/ |
| TTA | TTAT.3G-25.214(R11-11.0.0) | 11.0.0 | published | Aug 14 | http://www.tta.or.kr/data/ttasDown.jsp?where=14688&pk_num=TTAT.3G-21.905(R11-11.3.0) |

5.1.2.1.6 TS 25.215**Physical layer; Measurements (FDD)**

This specification describes the measurements done at the UE and network in order to support operation in idle mode and connected mode for FDD mode.

| SDO (2) | Document No. | Version | Status | Issued date | Location (1) |
|-------------------|-----------------------------|---------|-----------|-------------|---|
| Release 99 | | | | | |
| ARIB | ARIB STD-T63-25.215 | 3.13.0 | Approved | Jul 13 | http://www.arib.or.jp/english/html/overview/doc/STD-T63v10_00/2_T63/ARIB-STD-T63/R99/25/A25215-3d0.pdf |
| ATIS | ATIS.3GPP.25.215V3130-2006 | 3.13.0 | Approved | Apr 06 | https://www.atis.org/docstore/default.aspx |
| CCSA | CCSA-TSD-DS-25.215 | 3.13.0 | Published | Apr 05 | http://www.ccsa.org.cn/english/tc/files.php?docpath=/ITU-R/M.1457/M.1457-12/DS |
| ETSI | ETSI TS 125 215 | 3.13.0 | Published | Apr 05 | http://www.etsi.org/deliver/etsi_ts/125200_125299/125215/03.13.00_60/ |
| TTA | TTAT.3G-25.215(R99F-3.13.0) | 3.13.0 | Approved | Apr 06 | http://www.tta.or.kr/data/ttasDown.jsp?where=14688&pk_num=TTAT.3G-25.215(R99F-3.13.0) |
| Release 4 | | | | | |
| ARIB | ARIB STD-T63-25.215 | 4.8.0 | Approved | Jul 13 | http://www.arib.or.jp/english/html/overview/doc/STD-T63v10_00/2_T63/ARIB-STD-T63/Rel4/25/A25215-480.pdf |
| ATIS | ATIS.3GPP.25.215V480-2005 | 4.8.0 | Approved | Apr 06 | https://www.atis.org/docstore/default.aspx |
| CCSA | CCSA-TSD-DS-25.215 | 4.8.0 | Published | Apr 05 | http://www.ccsa.org.cn/english/tc/files.php?docpath=/ITU-R/M.1457/M.1457-12/DS |
| ETSI | ETSI TS 125 215 | 4.8.0 | Published | Apr 05 | http://www.etsi.org/deliver/etsi_ts/125200_125299/125215/04.08.00_60/ |
| TTA | TTAT.3G-25.215(R4F-4.8.0) | 4.8.0 | Approved | Apr 06 | http://www.tta.or.kr/data/ttasDown.jsp?where=14688&pk_num=TTAT.3G-25.215(R4F-4.8.0) |
| Release 5 | | | | | |
| ARIB | ARIB STD-T63-25.215 | 5.7.0 | Approved | Jul 13 | http://www.arib.or.jp/english/html/overview/doc/STD-T63v10_00/2_T63/ARIB-STD-T63/Rel5/25/A25215-570.pdf |
| ATIS | ATIS.3GPP.25.215V570-2006 | 5.7.0 | Approved | Apr 06 | https://www.atis.org/docstore/default.aspx |
| CCSA | CCSA-TSD-DS-25.215 | 5.7.0 | Published | Jul 05 | http://www.ccsa.org.cn/english/tc/files.php?docpath=/ITU-R/M.1457/M.1457-12/DS |
| ETSI | ETSI TS 125 215 | 5.7.0 | Published | Jul 05 | http://www.etsi.org/deliver/etsi_ts/125200_125299/125215/05.07.00_60/ |
| TTA | TTAT.3G-25.215(R5F-5.7.0) | 5.7.0 | Approved | Apr 06 | http://www.tta.or.kr/data/ttasDown.jsp?where=14688&pk_num=TTAT.3G-25.215(R5F-5.7.0) |

Release 6

| | | | | | |
|------|---------------------------|-------|-----------|--------|---|
| ARIB | ARIB STD-T63-25.215 | 6.4.0 | Approved | Jul 13 | http://www.arib.or.jp/english/html/overview/doc/STD-T63v10_00/2_T63/ARIB-STD-T63/Rel6/25/A25215-640.pdf |
| ATIS | ATIS.3GPP.25.215V640-2006 | 6.4.0 | Approved | Apr 06 | https://www.atis.org/docstore/default.aspx |
| CCSA | CCSA-TSD-DS-25.215 | 6.4.0 | Published | Oct 05 | http://www.ccsa.org.cn/english/tc/files.php?docpath=/ITU-R/M.1457/M.1457-12/DS |
| ETSI | ETSI TS 125 215 | 6.4.0 | Published | Oct 05 | http://www.etsi.org/deliver/etsi_ts/125200_125299/125215/06.04.00_60/ |
| TTA | TTAT.3G-25.215(R6F-6.4.0) | 6.4.0 | Approved | Apr 06 | http://www.tta.or.kr/data/ttasDown.jsp?where=14688&pk_num=TTAT.3G-25.215(R6F-6.4.0) |

Release 7

| | | | | | |
|------|---------------------------|-------|-----------|--------|---|
| ARIB | ARIB STD-T63-25.215 | 7.4.0 | Approved | Jul 13 | http://www.arib.or.jp/english/html/overview/doc/STD-T63v10_00/2_T63/ARIB-STD-T63/Rel7/25/A25215-740.pdf |
| ATIS | ATIS.3GPP.25.215V740-2008 | 7.4.0 | Approved | Oct 08 | https://www.atis.org/docstore/default.aspx |
| CCSA | CCSA-TSD-DS-25.215 | 7.4.0 | Published | Jan 08 | http://www.ccsa.org.cn/english/tc/files.php?docpath=/ITU-R/M.1457/M.1457-12/DS |
| ETSI | ETSI TS 125 215 | 7.4.0 | Published | Jan 08 | http://www.etsi.org/deliver/etsi_ts/125200_125299/125215/07.04.00_60/ |
| TTA | TTAT.3G-25.215(R7F-7.4.0) | 7.4.0 | Approved | Oct 08 | http://www.tta.or.kr/data/ttasDown.jsp?where=14688&pk_num=TTAT.3G-25.215(R7F-7.4.0) |

Release 8

| | | | | | |
|------|---------------------------|-------|-----------|--------|---|
| ARIB | ARIB STD-T63-25.215 | 8.4.0 | Approved | Jul 13 | http://www.arib.or.jp/english/html/overview/doc/STD-T63v10_00/2_T63/ARIB-STD-T63/Rel8/25/A25215-840.pdf |
| ATIS | ATIS.3GPP.25.215V840-2010 | 8.4.0 | Approved | Jul 10 | https://www.atis.org/docstore/default.aspx |
| CCSA | CCSA-TSD-DS-25.215 | 8.4.0 | Published | Mar 10 | http://www.ccsa.org.cn/english/tc/files.php?docpath=/ITU-R/M.1457/M.1457-12/DS |
| ETSI | ETSI TS 125 215 | 8.4.0 | Published | Oct 09 | http://www.etsi.org/deliver/etsi_ts/125200_125299/125215/08.04.00_60/ |
| TTA | TTAT.3G-25.215(R8F-8.3.0) | 8.3.0 | Approved | Jul 09 | http://www.tta.or.kr/data/ttasDown.jsp?where=14688&pk_num=TTAT.3G-25.215(R8F-8.3.0) |

Release 9

| | | | | | |
|------|---------------------------|-------|-----------|--------|---|
| ARIB | ARIB STD-T63-25.215 | 9.2.0 | Approved | Jul 13 | http://www.arib.or.jp/english/html/overview/doc/STD-T63v10_00/2_T63/ARIB-STD-T63/Rel9/25/A25215-920.pdf |
| ATIS | ATIS.3GPP.25.215V920-2010 | 9.2.0 | Approved | Jul 10 | https://www.atis.org/docstore/default.aspx |
| CCSA | CCSA-TSD-DS-25.215 | 9.2.0 | Published | Mar 10 | http://www.ccsa.org.cn/english/tc/files.php?docpath=/ITU-R/M.1457/M.1457-12/DS |
| ETSI | ETSI TS 125 215 | 9.2.0 | Published | Mar 10 | http://www.etsi.org/deliver/etsi_ts/125200_125299/125215/09.02.00_60/ |
| TTA | TTAT.3G-25.215(R9-9.2.0) | 9.2.0 | Approved | Jul 10 | http://www.tta.or.kr/data/ttasDown.jsp?where=14688&pk_num=TTAT.3G-25.215(R9-9.2.0) |

Release 10

| | | | | | |
|------|----------------------------|--------|-----------|--------|---|
| ARIB | ARIB STD-T63-25.215 | 10.0.0 | Approved | Jul 13 | http://www.arib.or.jp/english/html/overview/doc/STD-T63v10_00/2_T63/ARIB-STD-T63/Rel10/25/A25215-a00.pdf |
| ATIS | ATIS.3GPP.25.215V1000-2012 | 10.0.0 | Approved | Jul 12 | https://www.atis.org/docstore/default.aspx |
| CCSA | CCSA-TSD-DS-25.215 | 10.0.0 | Published | Jun 12 | http://www.ccsa.org.cn/english/tc/files.php?docpath=/ITU-R/M.1457/M.1457-12/DS |
| ETSI | ETSI TS 125 215 | 10.0.0 | Published | Apr 11 | http://www.etsi.org/deliver/etsi_ts/125200_125299/125215/10.00.00_60/ |
| TTA | TTAT.3G-25.215(R10-10.0.0) | 10.0.0 | Approved | Aug 12 | http://www.tta.or.kr/data/ttasDown.jsp?where=14688&pk_num=TTAT.3G-25.215(R10-10.0.0) |

Release 11

| | | | | | |
|------|----------------------------|--------|-----------|--------|---|
| ARIB | ARIB STD-T63-25.215 | 11.0.0 | Approved | Jul 13 | http://www.arib.or.jp/english/html/overview/doc/STD-T63v10_00/2_T63/ARIB-STD-T63/Rel11/25/A25215-b00.pdf |
| ATIS | ATIS.3GPP.25.215V1100-2014 | 11.0.0 | Approved | May 14 | https://www.atis.org/docstore/default.aspx |
| CCSA | CCSA-TSD-DS-25.215 | 11.0.0 | Published | Jun 14 | http://www.ccsa.org.cn/english/tc/files.php?docpath=/ITU-R/M.1457/M.1457-12/DS |
| CCSA | CCSA-TSD-DS-25.215 | 11.8.0 | Published | Jun 14 | http://www.ccsa.org.cn/english/tc/files.php?docpath=/ITU-R/M.1457/M.1457-12/DS |
| ETSI | ETSI TS 125 215 | 11.0.0 | Published | Nov 12 | http://www.etsi.org/deliver/etsi_ts/125200_125299/125215/11.00.00_60/ |
| TTA | TTAT.3G-25.215(R11-11.5.0) | 11.5.0 | published | Aug 14 | http://www.tta.or.kr/data/ttasDown.jsp?where=14688&pk_num=TTAT.3G-22.001(R11-11.0.0) |

5.1.2.2 25.300 series

5.1.2.2.1 TS 25.301

Radio interface protocol architecture

This specification describes an overview and overall description of the UE-UTRAN radio interface protocol architecture. Details of the radio protocols will be specified in companion documents.

| SDO (2) | Document No. | Version | Status | Issued date | Location (1) |
|-------------------|----------------------------|---------|-----------|-------------|---|
| Release 99 | | | | | |
| ARIB | ARIB STD-T63-25.301 | 3.11.0 | Approved | Jul 13 | http://www.arib.or.jp/english/html/overview/doc/STD-T63v10_00/2_T63/ARIB-STD-T63/R99/25/A25301-3b0.pdf |
| ATIS | T1.3GPP.25.301V3110-2003 | 3.11.0 | Approved | Mar 03 | https://www.atis.org/docstore/default.aspx |
| CCSA | CCSA-TSD-DS-25.301 | 3.11.0 | Published | Oct 02 | http://www.ccsa.org.cn/english/tc/files.php?docpath=/ITU-R/M.1457/M.1457-12/DS |
| ETSI | ETSI TS 125 301 | 3.11.0 | Published | Oct 02 | http://www.etsi.org/deliver/etsi_ts/125300_125399/125301/03.11.00_60/ |
| TTA | TTAT.3G-25.301(R99-3.11.0) | 3.11.0 | Approved | Mar 03 | http://www.tta.or.kr/data/ttasDown.jsp?where=14688&pk_num=TTAT.3G-25.301(R99-3.11.0) |
| Release 4 | | | | | |
| ARIB | ARIB STD-T63-25.301 | 4.4.0 | Approved | Jul 13 | http://www.arib.or.jp/english/html/overview/doc/STD-T63v10_00/2_T63/ARIB-STD-T63/Rel4/25/A25301-440.pdf |
| ATIS | T1.3GPP.25.301V440-2003 | 4.4.0 | Approved | Mar 03 | https://www.atis.org/docstore/default.aspx |
| CCSA | CCSA-TSD-DS-25.301 | 4.4.0 | Published | Oct 02 | http://www.ccsa.org.cn/english/tc/files.php?docpath=/ITU-R/M.1457/M.1457-12/DS |
| ETSI | ETSI TS 125 301 | 4.4.0 | Published | Oct 02 | http://www.etsi.org/deliver/etsi_ts/125300_125399/125301/04.04.00_60/ |
| TTA | TTAT.3G-25.301(R4-4.4.0) | 4.4.0 | Approved | Mar 03 | http://www.tta.or.kr/data/ttasDown.jsp?where=14688&pk_num=TTAT.3G-25.301(R4-4.4.0) |
| Release 5 | | | | | |
| ARIB | ARIB STD-T63-25.301 | 5.6.0 | Approved | Jul 13 | http://www.arib.or.jp/english/html/overview/doc/STD-T63v10_00/2_T63/ARIB-STD-T63/Rel5/25/A25301-560.pdf |
| ATIS | ATIS.3GPP.25.301V560-2006 | 5.6.0 | Approved | Apr 06 | https://www.atis.org/docstore/default.aspx |
| CCSA | CCSA-TSD-DS-25.301 | 5.6.0 | Published | Oct 05 | http://www.ccsa.org.cn/english/tc/files.php?docpath=/ITU-R/M.1457/M.1457-12/DS |
| ETSI | ETSI TS 125 301 | 5.6.0 | Published | Oct 05 | http://www.etsi.org/deliver/etsi_ts/125300_125399/125301/05.06.00_60/ |
| TTA | TTAT.3G-25.301(R5-5.6.0) | 5.6.0 | Approved | Apr 06 | http://www.tta.or.kr/data/ttasDown.jsp?where=14688&pk_num=TTAT.3G-25.301(R5-5.6.0) |
| Release 6 | | | | | |
| ARIB | ARIB STD-T63-25.301 | 6.6.0 | Approved | Jul 13 | http://www.arib.or.jp/english/html/overview/doc/STD-T63v10_00/2_T63/ARIB-STD-T63/Rel6/25/A25301-660.pdf |
| ATIS | ATIS.3GPP.25.301V660-2008 | 6.6.0 | Approved | Oct 08 | https://www.atis.org/docstore/default.aspx |
| CCSA | CCSA-TSD-DS-25.301 | 6.6.0 | Published | Apr 08 | http://www.ccsa.org.cn/english/tc/files.php?docpath=/ITU-R/M.1457/M.1457-12/DS |
| ETSI | ETSI TS 125 301 | 6.6.0 | Published | Apr 08 | http://www.etsi.org/deliver/etsi_ts/125300_125399/125301/06.06.00_60/ |
| TTA | TTAT.3G-25.301(R6-6.6.0) | 6.6.0 | Approved | Oct 08 | http://www.tta.or.kr/data/ttasDown.jsp?where=14688&pk_num=TTAT.3G-25.301(R6-6.6.0) |
| Release 7 | | | | | |
| ARIB | ARIB STD-T63-25.301 | 7.5.0 | Approved | Jul 13 | http://www.arib.or.jp/english/html/overview/doc/STD-T63v10_00/2_T63/ARIB-STD-T63/Rel7/25/A25301-750.pdf |
| ATIS | ATIS.3GPP.25.301V750-2012 | 7.5.0 | Approved | Jul 12 | https://www.atis.org/docstore/default.aspx |
| CCSA | CCSA-TSD-DS-25.301 | 7.5.0 | Published | Jun 12 | http://www.ccsa.org.cn/english/tc/files.php?docpath=/ITU-R/M.1457/M.1457-12/DS |
| ETSI | ETSI TS 125 301 | 7.5.0 | Published | Jun 10 | http://www.etsi.org/deliver/etsi_ts/125300_125399/125301/07.05.00_60/ |
| TTA | TTAT.3G-25.301(R7-7.4.0) | 7.4.0 | Approved | Oct 08 | http://www.tta.or.kr/data/ttasDown.jsp?where=14688&pk_num=TTAT.3G-25.301(R7-7.4.0) |
| Release 8 | | | | | |
| ARIB | ARIB STD-T63-25.301 | 8.7.0 | Approved | Jul 13 | http://www.arib.or.jp/english/html/overview/doc/STD-T63v10_00/2_T63/ARIB-STD-T63/Rel8/25/A25301-870.pdf |
| ATIS | ATIS.3GPP.25.301V870-2012 | 8.7.0 | Approved | Jul 12 | https://www.atis.org/docstore/default.aspx |
| CCSA | CCSA-TSD-DS-25.301 | 8.7.0 | Published | Jun 12 | http://www.ccsa.org.cn/english/tc/files.php?docpath=/ITU-R/M.1457/M.1457-12/DS |
| ETSI | ETSI TS 125 301 | 8.7.0 | Published | Jun 10 | http://www.etsi.org/deliver/etsi_ts/125300_125399/125301/08.07.00_60/ |

| | | | | | |
|-------------------|----------------------------|--------|-----------|--------|---|
| TTA | TTAT.3G-25.301(R8-8.5.0) | 8.5.0 | Approved | Jul 09 | http://www.tta.or.kr/data/ttasDown.jsp?where=14688&pk_num=TTAT.3G-25.301(R8-8.5.0) |
| Release 9 | | | | | |
| ARIB | ARIB STD-T63-25.301 | 9.2.0 | Approved | Jul 13 | http://www.arib.or.jp/english/html/overview/doc/STD-T63v10_00/2_T63/ARIB-STD-T63/Rel9/25/A25301-920.pdf |
| ATIS | ATIS.3GPP.25.301V920-2012 | 9.2.0 | Approved | Jul 12 | https://www.atis.org/docstore/default.aspx |
| CCSA | CCSA-TSD-DS-25.301 | 9.2.0 | Published | Jun 12 | http://www.ccsa.org.cn/english/tc/files.php?docpath=/ITU-R/M.1457/M.1457-12/DS |
| ETSI | ETSI TS 125 301 | 9.2.0 | Published | Jun 10 | http://www.etsi.org/deliver/etsi_ts/125300_125399/125301/09.02.00_60/ |
| TTA | TTAT.3G-25.301(R9-9.1.0) | 9.1.0 | Approved | Jul 10 | http://www.tta.or.kr/data/ttasDown.jsp?where=14688&pk_num=TTAT.3G-25.301(R9-9.1.0) |
| Release 10 | | | | | |
| ARIB | ARIB STD-T63-25.301 | 10.0.0 | Approved | Jul 13 | http://www.arib.or.jp/english/html/overview/doc/STD-T63v10_00/2_T63/ARIB-STD-T63/Rel10/25/A25301-a00.pdf |
| ATIS | ATIS.3GPP.25.301V1000-2012 | 10.0.0 | Approved | Jul 12 | https://www.atis.org/docstore/default.aspx |
| CCSA | CCSA-TSD-DS-25.301 | 10.0.0 | Published | Jun 12 | http://www.ccsa.org.cn/english/tc/files.php?docpath=/ITU-R/M.1457/M.1457-12/DS |
| ETSI | ETSI TS 125 301 | 10.0.0 | Published | Mar 11 | http://www.etsi.org/deliver/etsi_ts/125300_125399/125301/10.00.00_60/ |
| TTA | TTAT.3G-25.301(R10-10.0.0) | 10.0.0 | Approved | Aug 12 | http://www.tta.or.kr/data/ttasDown.jsp?where=14688&pk_num=TTAT.3G-25.301(R10-10.0.0) |
| Release 11 | | | | | |
| ARIB | ARIB STD-T63-25.301 | 11.0.0 | Approved | Jul 13 | http://www.arib.or.jp/english/html/overview/doc/STD-T63v10_00/2_T63/ARIB-STD-T63/Rel11/25/A25301-b00.pdf |
| ATIS | ATIS.3GPP.25.301V1100-2014 | 11.0.0 | Approved | May 14 | https://www.atis.org/docstore/default.aspx |
| CCSA | CCSA-TSD-DS-25.301 | 11.0.0 | Published | Jun 14 | http://www.ccsa.org.cn/english/tc/files.php?docpath=/ITU-R/M.1457/M.1457-12/DS |
| ETSI | ETSI TS 125 301 | 11.0.0 | Published | Sep 12 | http://www.etsi.org/deliver/etsi_ts/125300_125399/125301/11.00.00_60/ |
| TTA | TTAT.3G-25.301(R11-11.0.0) | 11.0.0 | published | Aug 14 | http://www.tta.or.kr/data/ttasDown.jsp?where=14688&pk_num=TTAT.3G-22.002(R11-11.0.0) |

5.1.2.2.2 TS 25.302

Services provided by the physical layer

This specification describes a technical specification of the services provided by the physical layer of UTRA to upper layers.

| SDO (2) | Document No. | Version | Status | Issued date | Location (1) |
|-------------------|----------------------------|---------|-----------|-------------|---|
| Release 99 | | | | | |
| ARIB | ARIB STD-T63-25.302 | 3.16.0 | Approved | Jul 13 | http://www.arib.or.jp/english/html/overview/doc/STD-T63v10_00/2_T63/ARIB-STD-T63/R99/25/A25302-3g0.pdf |
| ATIS | T1.3GPP.25.302V3160-2004 | 3.16.0 | Approved | May 04 | https://www.atis.org/docstore/default.aspx |
| CCSA | CCSA-TSD-DS-25.302 | 3.16.0 | Published | Oct 03 | http://www.ccsa.org.cn/english/tc/files.php?docpath=/ITU-R/M.1457/M.1457-12/DS |
| ETSI | ETSI TS 125 302 | 3.16.0 | Published | Oct 03 | http://www.etsi.org/deliver/etsi_ts/125300_125399/125302/03.16.00_60/ |
| TTA | TTAT.3G-25.302(R99-3.16.0) | 3.16.0 | Approved | May 04 | http://www.tta.or.kr/data/ttasDown.jsp?where=14688&pk_num=TTAT.3G-25.302(R99-3.16.0) |
| Release 4 | | | | | |
| ARIB | ARIB STD-T63-25.302 | 4.8.0 | Approved | Jul 13 | http://www.arib.or.jp/english/html/overview/doc/STD-T63v10_00/2_T63/ARIB-STD-T63/Rel4/25/A25302-480.pdf |
| ATIS | T1.3GPP.25.302V480-2004 | 4.8.0 | Approved | May 04 | https://www.atis.org/docstore/default.aspx |
| CCSA | CCSA-TSD-DS-25.302 | 4.8.0 | Published | Oct 03 | http://www.ccsa.org.cn/english/tc/files.php?docpath=/ITU-R/M.1457/M.1457-12/DS |
| ETSI | ETSI TS 125 302 | 4.8.0 | Published | Oct 03 | http://www.etsi.org/deliver/etsi_ts/125300_125399/125302/04.08.00_60/ |
| TTA | TTAT.3G-25.302(R4-4.8.0) | 4.8.0 | Approved | May 04 | http://www.tta.or.kr/data/ttasDown.jsp?where=14688&pk_num=TTAT.3G-25.302(R4-4.8.0) |
| Release 5 | | | | | |
| ARIB | ARIB STD-T63-25.302 | 5.9.0 | Approved | Jul 13 | http://www.arib.or.jp/english/html/overview/doc/STD-T63v10_00/2_T63/ARIB-STD-T63/Rel5/25/A25302-590.pdf |
| ATIS | ATIS.3GPP.25.302V590-2006 | 5.9.0 | Approved | Apr 06 | https://www.atis.org/docstore/default.aspx |
| CCSA | CCSA-TSD-DS-25.302 | 5.9.0 | Published | Oct 05 | http://www.ccsa.org.cn/english/tc/files.php?docpath=/ITU-R/M.1457/M.1457-12/DS |
| ETSI | ETSI TS 125 302 | 5.9.0 | Published | Oct 05 | http://www.etsi.org/deliver/etsi_ts/125300_125399/125302/05.09.00_60/ |

| | | | | | |
|-------------------|----------------------------|--------|-----------|--------|---|
| TTA | TTAT.3G-25.302(R5-5.9.0) | 5.9.0 | Approved | Apr 06 | http://www.tta.or.kr/data/ttasDown.jsp?where=14688&pk_num=TTAT.3G-25.302(R5-5.9.0) |
| Release 6 | | | | | |
| ARIB | ARIB STD-T63-25.302 | 6.8.0 | Approved | Jul 13 | http://www.arib.or.jp/english/html/overview/doc/STD-T63v10_00/2_T63/ARIB-STD-T63/Rel6/25/A25302-680.pdf |
| ATIS | ATIS.3GPP.25.302V680-2007 | 6.8.0 | Approved | Oct 07 | https://www.atis.org/docstore/default.aspx |
| CCSA | CCSA-TSD-DS-25.302 | 6.8.0 | Published | Oct 06 | http://www.ccsa.org.cn/english/tc/files.php?docpath=/ITU-R/M.1457/M.1457-12/DS |
| ETSI | ETSI TS 125 302 | 6.8.0 | Published | Oct 06 | http://www.etsi.org/deliver/etsi_ts/125300_125399/125302/06.08.00_60/ |
| TTA | TTAT.3G-25.302(R6-6.8.0) | 6.8.0 | Approved | Dec 07 | http://www.tta.or.kr/data/ttasDown.jsp?where=14688&pk_num=TTAT.3G-25.302(R6-6.8.0) |
| Release 7 | | | | | |
| ARIB | ARIB STD-T63-25.302 | 7.9.0 | Approved | Jul 13 | http://www.arib.or.jp/english/html/overview/doc/STD-T63v10_00/2_T63/ARIB-STD-T63/Rel7/25/A25302-790.pdf |
| ATIS | ATIS.3GPP.25.302V790-2012 | 7.9.0 | Approved | Jul 12 | https://www.atis.org/docstore/default.aspx |
| CCSA | CCSA-TSD-DS-25.302 | 7.9.0 | Published | Mar 10 | http://www.ccsa.org.cn/english/tc/files.php?docpath=/ITU-R/M.1457/M.1457-12/DS |
| ETSI | ETSI TS 125 302 | 7.9.0 | Published | Oct 10 | http://www.etsi.org/deliver/etsi_ts/125300_125399/125302/07.09.00_60/ |
| TTA | TTAT.3G-25.302(R7-7.6.0) | 7.6.0 | Approved | Oct 08 | http://www.tta.or.kr/data/ttasDown.jsp?where=14688&pk_num=TTAT.3G-25.302(R7-7.6.0) |
| Release 8 | | | | | |
| ARIB | ARIB STD-T63-25.302 | 8.7.0 | Approved | Jul 13 | http://www.arib.or.jp/english/html/overview/doc/STD-T63v10_00/2_T63/ARIB-STD-T63/Rel8/25/A25302-870.pdf |
| ATIS | ATIS.3GPP.25.302V870-2012 | 8.7.0 | Approved | Jul 12 | https://www.atis.org/docstore/default.aspx |
| CCSA | CCSA-TSD-DS-25.302 | 8.7.0 | Published | Mar 10 | http://www.ccsa.org.cn/english/tc/files.php?docpath=/ITU-R/M.1457/M.1457-12/DS |
| ETSI | ETSI TS 125 302 | 8.7.0 | Published | Oct 10 | http://www.etsi.org/deliver/etsi_ts/125300_125399/125302/08.07.00_60/ |
| TTA | TTAT.3G-25.302(R8-8.2.0) | 8.2.0 | Approved | Jul 09 | http://www.tta.or.kr/data/ttasDown.jsp?where=14688&pk_num=TTAT.3G-25.302(R8-8.2.0) |
| Release 9 | | | | | |
| ARIB | ARIB STD-T63-25.302 | 9.2.0 | Approved | Jul 13 | http://www.arib.or.jp/english/html/overview/doc/STD-T63v10_00/2_T63/ARIB-STD-T63/Rel9/25/A25302-920.pdf |
| ATIS | ATIS.3GPP.25.302V920-2012 | 9.2.0 | Approved | Jul 12 | https://www.atis.org/docstore/default.aspx |
| CCSA | CCSA-TSD-DS-25.302 | 9.2.0 | Published | Mar 10 | http://www.ccsa.org.cn/english/tc/files.php?docpath=/ITU-R/M.1457/M.1457-12/DS |
| ETSI | ETSI TS 125 302 | 9.2.0 | Published | Oct 10 | http://www.etsi.org/deliver/etsi_ts/125300_125399/125302/09.02.00_60/ |
| TTA | TTAT.3G-25.302(R9-9.1.0) | 9.1.0 | Approved | Jul 10 | http://www.tta.or.kr/data/ttasDown.jsp?where=14688&pk_num=TTAT.3G-25.302(R9-9.1.0) |
| Release 10 | | | | | |
| ARIB | ARIB STD-T63-25.302 | 10.2.0 | Approved | Jul 13 | http://www.arib.or.jp/english/html/overview/doc/STD-T63v10_00/2_T63/ARIB-STD-T63/Rel10/25/A25302-a20.pdf |
| ATIS | ATIS.3GPP.25.302V1020-2012 | 10.2.0 | Approved | Jul 12 | https://www.atis.org/docstore/default.aspx |
| CCSA | CCSA-TSD-DS-25.302 | 10.2.0 | Published | Jun 12 | http://www.ccsa.org.cn/english/tc/files.php?docpath=/ITU-R/M.1457/M.1457-12/DS |
| ETSI | ETSI TS 125 302 | 10.2.0 | Published | Oct 11 | http://www.etsi.org/deliver/etsi_ts/125300_125399/125302/10.02.00_60/ |
| TTA | TTAT.3G-25.302(R10-10.2.0) | 10.2.0 | Approved | Aug 12 | http://www.tta.or.kr/data/ttasDown.jsp?where=14688&pk_num=TTAT.3G-25.302(R10-10.2.0) |
| Release 11 | | | | | |
| ARIB | ARIB STD-T63-25.302 | 11.3.0 | Approved | Jul 13 | http://www.arib.or.jp/english/html/overview/doc/STD-T63v10_00/2_T63/ARIB-STD-T63/Rel11/25/A25302-b30.pdf |
| ATIS | ATIS.3GPP.25.302V1130-2014 | 11.3.0 | Approved | May 14 | https://www.atis.org/docstore/default.aspx |
| CCSA | CCSA-TSD-DS-25.302 | 11.4.0 | Published | Jun 14 | http://www.ccsa.org.cn/english/tc/files.php?docpath=/ITU-R/M.1457/M.1457-12/DS |
| ETSI | ETSI TS 125 302 | 11.3.0 | Published | Apr 13 | http://www.etsi.org/deliver/etsi_ts/125300_125399/125302/11.03.00_60/ |
| TTA | TTAT.3G-25.302(R11-11.3.0) | 11.3.0 | published | Aug 14 | http://www.tta.or.kr/data/ttasDown.jsp?where=14688&pk_num=TTAT.3G-22.003(R11-11.0.0) |

5.1.2.2.3 TS 25.303

Interlayer procedures in Connected Mode

This specification describes informative interlayer procedures to perform the required tasks. This specification attempts to provide a comprehensive overview of the different states and transitions within the connected mode of universal mobile telecommunications system (UMTS) terminal.

| SDO (2) | Document No. | Version | Status | Issued date | Location (1) |
|-------------------|----------------------------|---------|-----------|-------------|---|
| Release 99 | | | | | |
| ARIB | ARIB STD-T63-25.303 | 3.12.0 | Approved | Jul 13 | http://www.arib.or.jp/english/html/overview/doc/STD-T63v10_00/2_T63/ARIB-STD-T63/R99/25/A25303-3c0.pdf |
| ATIS | T1.3GPP.25.303V3120-2003 | 3.12.0 | Approved | Mar 03 | https://www.atis.org/docstore/default.aspx |
| CCSA | CCSA-TSD-DS-25.303 | 3.12.0 | Published | Jun 02 | http://www.ccsa.org.cn/english/tc/files.php?docpath=/ITU-R/M.1457/M.1457-12/DS |
| ETSI | ETSI TS 125 303 | 3.12.0 | Published | Jun 02 | http://www.etsi.org/deliver/etsi_ts/125300_125399/125303/03.12.00_60/ |
| TTA | TTAT.3G-25.303(R99-3.12.0) | 3.12.0 | Approved | Mar 03 | http://www.tta.or.kr/data/ttasDown.jsp?where=14688&pk_num=TTAT.3G-25.303(R99-3.12.0) |
| Release 4 | | | | | |
| ARIB | ARIB STD-T63-25.303 | 4.5.0 | Approved | Jul 13 | http://www.arib.or.jp/english/html/overview/doc/STD-T63v10_00/2_T63/ARIB-STD-T63/Rel4/25/A25303-450.pdf |
| ATIS | T1.3GPP.25.303V450-2003 | 4.5.0 | Approved | Mar 03 | https://www.atis.org/docstore/default.aspx |
| CCSA | CCSA-TSD-DS-25.303 | 4.5.0 | Published | Jun 02 | http://www.ccsa.org.cn/english/tc/files.php?docpath=/ITU-R/M.1457/M.1457-12/DS |
| ETSI | ETSI TS 125 303 | 4.5.0 | Published | Jun 02 | http://www.etsi.org/deliver/etsi_ts/125300_125399/125303/04.05.00_60/ |
| TTA | TTAT.3G-25.303(R4-4.5.0) | 4.5.0 | Approved | Mar 03 | http://www.tta.or.kr/data/ttasDown.jsp?where=14688&pk_num=TTAT.3G-25.303(R4-4.5.0) |
| Release 5 | | | | | |
| ARIB | ARIB STD-T63-25.303 | 5.3.0 | Approved | Jul 13 | http://www.arib.or.jp/english/html/overview/doc/STD-T63v10_00/2_T63/ARIB-STD-T63/Rel5/25/A25303-530.pdf |
| ATIS | ATIS.3GPP.25.303V530-2006 | 5.3.0 | Approved | Apr 06 | https://www.atis.org/docstore/default.aspx |
| CCSA | CCSA-TSD-DS-25.303 | 5.3.0 | Published | Jul 05 | http://www.ccsa.org.cn/english/tc/files.php?docpath=/ITU-R/M.1457/M.1457-12/DS |
| ETSI | ETSI TS 125 303 | 5.3.0 | Published | Jul 05 | http://www.etsi.org/deliver/etsi_ts/125300_125399/125303/05.03.00_60/ |
| TTA | TTAT.3G-25.303(R5-5.3.0) | 5.3.0 | Approved | Apr 06 | http://www.tta.or.kr/data/ttasDown.jsp?where=14688&pk_num=TTAT.3G-25.303(R5-5.3.0) |
| Release 6 | | | | | |
| ARIB | ARIB STD-T63-25.303 | 6.3.0 | Approved | Jul 13 | http://www.arib.or.jp/english/html/overview/doc/STD-T63v10_00/2_T63/ARIB-STD-T63/Rel6/25/A25303-630.pdf |
| ATIS | ATIS.3GPP.25.303V630-2006 | 6.3.0 | Approved | Apr 06 | https://www.atis.org/docstore/default.aspx |
| CCSA | CCSA-TSD-DS-25.303 | 6.3.0 | Published | Jul 05 | http://www.ccsa.org.cn/english/tc/files.php?docpath=/ITU-R/M.1457/M.1457-12/DS |
| ETSI | ETSI TS 125 303 | 6.3.0 | Published | Jul 05 | http://www.etsi.org/deliver/etsi_ts/125300_125399/125303/06.03.00_60/ |
| TTA | TTAT.3G-25.303(R6-6.3.0) | 6.3.0 | Approved | Apr 06 | http://www.tta.or.kr/data/ttasDown.jsp?where=14688&pk_num=TTAT.3G-25.303(R6-6.3.0) |
| Release 7 | | | | | |
| ARIB | ARIB STD-T63-25.303 | 7.0.0 | Approved | Jul 13 | http://www.arib.or.jp/english/html/overview/doc/STD-T63v10_00/2_T63/ARIB-STD-T63/Rel7/25/A25303-700.pdf |
| ATIS | ATIS.3GPP.25.303V700-2007 | 7.0.0 | Approved | Oct 07 | https://www.atis.org/docstore/default.aspx |
| CCSA | CCSA-TSD-DS-25.303 | 7.0.0 | Published | Jun 06 | http://www.ccsa.org.cn/english/tc/files.php?docpath=/ITU-R/M.1457/M.1457-12/DS |
| ETSI | ETSI TS 125 303 | 7.0.0 | Published | Jun 06 | http://www.etsi.org/deliver/etsi_ts/125300_125399/125303/07.00.00_60/ |
| TTA | TTAT.3G-25.303(R7-7.0.0) | 7.0.0 | Approved | Dec 07 | http://www.tta.or.kr/data/ttasDown.jsp?where=14688&pk_num=TTAT.3G-25.303(R7-7.0.0) |
| Release 8 | | | | | |
| ARIB | ARIB STD-T63-25.303 | 8.0.0 | Approved | Jul 13 | http://www.arib.or.jp/english/html/overview/doc/STD-T63v10_00/2_T63/ARIB-STD-T63/Rel8/25/A25303-800.pdf |
| ATIS | ATIS.3GPP.25.303V800-2008 | 8.0.0 | Approved | Oct 08 | https://www.atis.org/docstore/default.aspx |
| CCSA | CCSA-TSD-DS-25.303 | 8.0.0 | Published | Oct 08 | http://www.ccsa.org.cn/english/tc/files.php?docpath=/ITU-R/M.1457/M.1457-12/DS |
| ETSI | ETSI TS 125 303 | 8.0.0 | Published | Oct 08 | http://www.etsi.org/deliver/etsi_ts/125300_125399/125303/08.00.00_60/ |
| TTA | TTAT.3G-25.303(R8-8.0.0) | 8.0.0 | Approved | Oct 08 | http://www.tta.or.kr/data/ttasDown.jsp?where=14688&pk_num=TTAT.3G-25.303(R8-8.0.0) |
| Release 9 | | | | | |
| ARIB | ARIB STD-T63-25.303 | 9.0.0 | Approved | Jul 13 | http://www.arib.or.jp/english/html/overview/doc/STD-T63v10_00/2_T63/ARIB-STD-T63/Rel9/25/A25303-900.pdf |
| ATIS | ATIS.3GPP.25.303V900-2010 | 9.0.0 | Approved | Jul 10 | https://www.atis.org/docstore/default.aspx |
| CCSA | CCSA-TSD-DS-25.303 | 9.0.0 | Published | Mar 10 | http://www.ccsa.org.cn/english/tc/files.php?docpath=/ITU-R/M.1457/M.1457-12/DS |
| ETSI | ETSI TS 125 303 | 9.0.0 | Published | Feb 10 | http://www.etsi.org/deliver/etsi_ts/125300_125399/125303/09.00.00_60/ |
| TTA | TTAT.3G-25.303(R9-9.1.0) | 9.1.0 | Approved | Jul 10 | http://www.tta.or.kr/data/ttasDown.jsp?where=14688&pk_num=TTAT.3G-25.303(R9-9.1.0) |

Release 10

| | | | | | |
|------|----------------------------|--------|-----------|--------|---|
| ARIB | ARIB STD-T63-25.303 | 10.0.0 | Approved | Jul 13 | http://www.arib.or.jp/english/html/overview/doc/STD-T63v10_00/2_T63/ARIB-STD-T63/Rel10/25/A25303-a00.pdf |
| ATIS | ATIS.3GPP.25.303V1000-2012 | 10.0.0 | Approved | Jul 12 | https://www.atis.org/docstore/default.aspx |
| CCSA | CCSA-TSD-DS-25.303 | 10.0.0 | Published | Jun 12 | http://www.ccsa.org.cn/english/tc/files.php?docpath=/ITU-R/M.1457/M.1457-12/DS |
| ETSI | ETSI TS 125 303 | 10.0.0 | Published | Mar 11 | http://www.etsi.org/deliver/etsi_ts/125300_125399/125303/10.00.00_60/ |
| TTA | TTAT.3G-25.303(R10-10.0.0) | 10.0.0 | Approved | Aug 12 | http://www.tta.or.kr/data/ttasDown.jsp?where=14688&pk_num=TTAT.3G-25.303(R10-10.0.0) |

Release 11

| | | | | | |
|------|----------------------------|--------|-----------|--------|---|
| ARIB | ARIB STD-T63-25.303 | 11.0.0 | Approved | Jul 13 | http://www.arib.or.jp/english/html/overview/doc/STD-T63v10_00/2_T63/ARIB-STD-T63/Rel11/25/A25303-b00.pdf |
| ATIS | ATIS.3GPP.25.303V1100-2014 | 11.0.0 | Approved | May 14 | https://www.atis.org/docstore/default.aspx |
| CCSA | CCSA-TSD-DS-25.303 | 11.0.0 | Published | Jun 14 | http://www.ccsa.org.cn/english/tc/files.php?docpath=/ITU-R/M.1457/M.1457-12/DS |
| ETSI | ETSI TS 125 303 | 11.0.0 | Published | Sep 12 | http://www.etsi.org/deliver/etsi_ts/125300_125399/125303/11.00.00_60/ |
| TTA | TTAT.3G-25.303(R11-11.0.0) | 11.0.0 | published | Aug 14 | http://www.tta.or.kr/data/ttasDown.jsp?where=14688&pk_num=TTAT.3G-22.004(R11-11.0.0) |

5.1.2.2.4 TS 25.304**User Equipment (UE) procedures in idle mode and procedures for cell reselection in connected mode**

This specification describes the overall idle mode process for the UE and the functional division between the non-access stratum and access stratum in the UE. The UE is in idle mode when the connection of the UE is closed on all layers, e.g. there is neither an MM connection nor an RRC connection.

This specification presents also examples of inter-layer procedures related to the idle mode processes and describes idle mode functionality of a dual mode UMTS/GSM UE.

| SDO (2) | Document No. | Version | Status | Issued date | Location (1) |
|-------------------|----------------------------|---------|-----------|-------------|---|
| Release 99 | | | | | |
| ARIB | ARIB STD-T63-25.304 | 3.14.0 | Approved | Jul 13 | http://www.arib.or.jp/english/html/overview/doc/STD-T63v10_00/2_T63/ARIB-STD-T63/R99/25/A25304-3e0.pdf |
| ATIS | ATIS.3GPP.25.304V3140-2005 | 3.14.0 | Approved | Apr 05 | https://www.atis.org/docstore/default.aspx |
| CCSA | CCSA-TSD-DS-25.304 | 3.14.0 | Published | Jun 04 | http://www.ccsa.org.cn/english/tc/files.php?docpath=/ITU-R/M.1457/M.1457-12/DS |
| ETSI | ETSI TS 125 304 | 3.14.0 | Published | Jun 04 | http://www.etsi.org/deliver/etsi_ts/125300_125399/125304/03.14.00_60/ |
| TTA | TTAT.3G-25.304(R99-3.14.0) | 3.14.0 | Approved | May 05 | http://www.tta.or.kr/data/ttasDown.jsp?where=14688&pk_num=TTAT.3G-25.304(R99-3.14.0) |
| Release 4 | | | | | |
| ARIB | ARIB STD-T63-25.304 | 4.8.0 | Approved | Jul 13 | http://www.arib.or.jp/english/html/overview/doc/STD-T63v10_00/2_T63/ARIB-STD-T63/Rel4/25/A25304-480.pdf |
| ATIS | ATIS.3GPP.25.304V480-2005 | 4.8.0 | Approved | Apr 05 | https://www.atis.org/docstore/default.aspx |
| CCSA | CCSA-TSD-DS-25.304 | 4.8.0 | Published | Apr 04 | http://www.ccsa.org.cn/english/tc/files.php?docpath=/ITU-R/M.1457/M.1457-12/DS |
| ETSI | ETSI TS 125 304 | 4.8.0 | Published | Apr 04 | http://www.etsi.org/deliver/etsi_ts/125300_125399/125304/04.08.00_60/ |
| TTA | TTAT.3G-25.304(R4-4.8.0) | 4.8.0 | Approved | May 05 | http://www.tta.or.kr/data/ttasDown.jsp?where=14688&pk_num=TTAT.3G-25.304(R4-4.8.0) |
| Release 5 | | | | | |
| ARIB | ARIB STD-T63-25.304 | 5.9.0 | Approved | Jul 13 | http://www.arib.or.jp/english/html/overview/doc/STD-T63v10_00/2_T63/ARIB-STD-T63/Rel5/25/A25304-590.pdf |
| ATIS | ATIS.3GPP.25.304V590-2006 | 5.9.0 | Approved | Apr 06 | https://www.atis.org/docstore/default.aspx |
| CCSA | CCSA-TSD-DS-25.304 | 5.9.0 | Published | Oct 05 | http://www.ccsa.org.cn/english/tc/files.php?docpath=/ITU-R/M.1457/M.1457-12/DS |
| ETSI | ETSI TS 125 304 | 5.9.0 | Published | Oct 05 | http://www.etsi.org/deliver/etsi_ts/125300_125399/125304/05.09.00_60/ |
| TTA | TTAT.3G-25.304(R5-5.9.0) | 5.9.0 | Approved | Apr 06 | http://www.tta.or.kr/data/ttasDown.jsp?where=14688&pk_num=TTAT.3G-25.304(R5-5.9.0) |
| Release 6 | | | | | |
| ARIB | ARIB STD-T63-25.304 | 6.10.0 | Approved | Jul 13 | http://www.arib.or.jp/english/html/overview/doc/STD-T63v10_00/2_T63/ARIB-STD-T63/Rel6/25/A25304-6a0.pdf |
| ATIS | ATIS.3GPP.25.304V6100-2008 | 6.10.0 | Approved | Oct 08 | https://www.atis.org/docstore/default.aspx |

| | | | | | |
|-------------------|----------------------------|--------|-----------|--------|---|
| CCSA | CCSA-TSD-DS-25.304 | 6.10.0 | Published | Apr 08 | http://www.ccsa.org.cn/english/tc/files.php?docpath=/ITU-R/M.1457/M.1457-12/DS |
| ETSI | ETSI TS 125 304 | 6.10.0 | Published | Apr 08 | http://www.etsi.org/deliver/etsi_ts/125300_125399/125304/06.10.00_60/ |
| TTA | TTAT.3G-25.304(R6-6.10.0) | 6.10.0 | Approved | Oct 08 | http://www.tta.or.kr/data/ttasDown.jsp?where=14688&pk_num=TTAT.3G-25.304(R6-6.10.0) |
| Release 7 | | | | | |
| ARIB | ARIB STD-T63-25.304 | 7.8.0 | Approved | Jul 13 | http://www.arib.or.jp/english/html/overview/doc/STD-T63v10_00/2_T63/ARIB-STD-T63/Rel7/25/A25304-780.pdf |
| ATIS | ATIS.3GPP.25.304V780-2010 | 7.8.0 | Approved | Jul 10 | https://www.atis.org/docstore/default.aspx |
| CCSA | CCSA-TSD-DS-25.304 | 7.8.0 | Published | Mar 10 | http://www.ccsa.org.cn/english/tc/files.php?docpath=/ITU-R/M.1457/M.1457-12/DS |
| ETSI | ETSI TS 125 304 | 7.8.0 | Published | Oct 09 | http://www.etsi.org/deliver/etsi_ts/125300_125399/125304/07.08.00_60/ |
| TTA | TTAT.3G-25.304(R7-7.7.0) | 7.7.0 | Approved | Jul 09 | http://www.tta.or.kr/data/ttasDown.jsp?where=14688&pk_num=TTAT.3G-25.304(R7-7.7.0) |
| Release 8 | | | | | |
| ARIB | ARIB STD-T63-25.304 | 8.12.0 | Approved | Jul 13 | http://www.arib.or.jp/english/html/overview/doc/STD-T63v10_00/2_T63/ARIB-STD-T63/Rel8/25/A25304-8c0.pdf |
| ATIS | ATIS.3GPP.25.304V8120-2012 | 8.12.0 | Approved | Jul 12 | https://www.atis.org/docstore/default.aspx |
| CCSA | CCSA-TSD-DS-25.304 | 8.12.0 | Published | Jun 12 | http://www.ccsa.org.cn/english/tc/files.php?docpath=/ITU-R/M.1457/M.1457-12/DS |
| ETSI | ETSI TS 125 304 | 8.12.0 | Published | Jul 11 | http://www.etsi.org/deliver/etsi_ts/125300_125399/125304/08.12.00_60/ |
| TTA | TTAT.3G-25.304(R8-8.5.0) | 8.5.0 | Approved | Jul 09 | http://www.tta.or.kr/data/ttasDown.jsp?where=14688&pk_num=TTAT.3G-25.304(R8-8.5.0) |
| Release 9 | | | | | |
| ARIB | ARIB STD-T63-25.304 | 9.8.0 | Approved | Jul 13 | http://www.arib.or.jp/english/html/overview/doc/STD-T63v10_00/2_T63/ARIB-STD-T63/Rel9/25/A25304-980.pdf |
| ATIS | ATIS.3GPP.25.304V980-2014 | 9.8.0 | Approved | May 14 | https://www.atis.org/docstore/default.aspx |
| CCSA | CCSA-TSD-DS-25.304 | 9.7.0 | Published | Jun 12 | http://www.ccsa.org.cn/english/tc/files.php?docpath=/ITU-R/M.1457/M.1457-12/DS |
| ETSI | ETSI TS 125 304 | 9.8.0 | Published | Oct 12 | http://www.etsi.org/deliver/etsi_ts/125300_125399/125304/09.08.00_60/ |
| TTA | TTAT.3G-25.304(R9-9.1.0) | 9.1.0 | Approved | Jul 10 | http://www.tta.or.kr/data/ttasDown.jsp?where=14688&pk_num=TTAT.3G-25.304(R9-9.1.0) |
| Release 10 | | | | | |
| ARIB | ARIB STD-T63-25.304 | 10.7.0 | Approved | Jul 13 | http://www.arib.or.jp/english/html/overview/doc/STD-T63v10_00/2_T63/ARIB-STD-T63/Rel10/25/A25304-a70.pdf |
| ATIS | ATIS.3GPP.25.304V1070-2014 | 10.7.0 | Approved | May 14 | https://www.atis.org/docstore/default.aspx |
| CCSA | CCSA-TSD-DS-25.304 | 10.3.0 | Published | Jun 12 | http://www.ccsa.org.cn/english/tc/files.php?docpath=/ITU-R/M.1457/M.1457-12/DS |
| ETSI | ETSI TS 125 304 | 10.7.0 | Published | Jan 13 | http://www.etsi.org/deliver/etsi_ts/125300_125399/125304/10.07.00_60/ |
| TTA | TTAT.3G-25.304(R10-10.4.0) | 10.4.0 | Approved | Aug 12 | http://www.tta.or.kr/data/ttasDown.jsp?where=14688&pk_num=TTAT.3G-25.304(R10-10.4.0) |
| Release 11 | | | | | |
| ARIB | ARIB STD-T63-25.304 | 11.2.0 | Approved | Jul 13 | http://www.arib.or.jp/english/html/overview/doc/STD-T63v10_00/2_T63/ARIB-STD-T63/Rel11/25/A25304-b20.pdf |
| ATIS | ATIS.3GPP.25.304V1120-2014 | 11.2.0 | Approved | May 14 | https://www.atis.org/docstore/default.aspx |
| CCSA | CCSA-TSD-DS-25.304 | 11.5.0 | Published | Jun 14 | http://www.ccsa.org.cn/english/tc/files.php?docpath=/ITU-R/M.1457/M.1457-12/DS |
| ETSI | ETSI TS 125 304 | 11.2.0 | Published | Apr 13 | http://www.etsi.org/deliver/etsi_ts/125300_125399/125304/11.02.00_60/ |
| TTA | TTAT.3G-25.304(R11-11.2.0) | 11.2.0 | published | Aug 14 | http://www.tta.or.kr/data/ttasDown.jsp?where=14688&pk_num=TTAT.3G-22.011(R11-11.3.0) |

5.1.2.2.5 TS 25.305

Stage 2 functional specification of User Equipment (UE) positioning in UTRAN

This document specifies the Stage 2 of the UE Positioning function of UTRAN, which provides the mechanisms to support the calculation of the geographical position of a UE.

| SDO (2) | Document No. | Version | Status | Issued date | Location (1) |
|---------|--------------|---------|--------|-------------|--------------|
|---------|--------------|---------|--------|-------------|--------------|

Release 99

| | | | | | |
|-------------------|----------------------------|--------|-----------|--------|---|
| ARIB | ARIB STD-T63-25.305 | 3.11.0 | Approved | Jul 13 | http://www.arib.or.jp/english/html/overview/doc/STD-T63v10_00/2_T63/ARIB-STD-T63/R99/25/A25305-3b0.pdf |
| ATIS | T1.3GPP.25.305V3110-2004 | 3.11.0 | Approved | May 04 | https://www.atis.org/docstore/default.aspx |
| CCSA | CCSA-TSD-DS-25.305 | 3.11.0 | Published | Jan 04 | http://www.ccsa.org.cn/english/tc/files.php?docpath=/ITU-R/M.1457/M.1457-12/DS |
| ETSI | ETSI TS 125 305 | 3.11.0 | Published | Jan 04 | http://www.etsi.org/deliver/etsi_ts/125300_125399/125305/03.11.00_60/ |
| TTA | TTAT.3G-25.305(R99-3.11.0) | 3.11.0 | Approved | May 04 | http://www.tta.or.kr/data/ttasDown.jsp?where=14688&pk_num=TTAT.3G-25.305(R99-3.11.0) |
| Release 4 | | | | | |
| ARIB | ARIB STD-T63-25.305 | 4.7.0 | Approved | Jul 13 | http://www.arib.or.jp/english/html/overview/doc/STD-T63v10_00/2_T63/ARIB-STD-T63/Rel4/25/A25305-470.pdf |
| ATIS | T1.3GPP.25.305V470-2004 | 4.7.0 | Approved | May 04 | https://www.atis.org/docstore/default.aspx |
| CCSA | CCSA-TSD-DS-25.305 | 4.7.0 | Published | Jan 04 | http://www.ccsa.org.cn/english/tc/files.php?docpath=/ITU-R/M.1457/M.1457-12/DS |
| ETSI | ETSI TS 125 305 | 4.7.0 | Published | Jan 04 | http://www.etsi.org/deliver/etsi_ts/125300_125399/125305/04.07.00_60/ |
| TTA | TTAT.3G-25.305(R4-4.7.0) | 4.7.0 | Approved | May 04 | http://www.tta.or.kr/data/ttasDown.jsp?where=14688&pk_num=TTAT.3G-25.305(R4-4.7.0) |
| Release 5 | | | | | |
| ARIB | ARIB STD-T63-25.305 | 5.9.0 | Approved | Jul 13 | http://www.arib.or.jp/english/html/overview/doc/STD-T63v10_00/2_T63/ARIB-STD-T63/Rel5/25/A25305-590.pdf |
| ATIS | ATIS.3GPP.25.305V590-2005 | 5.9.0 | Approved | Apr 05 | https://www.atis.org/docstore/default.aspx |
| CCSA | CCSA-TSD-DS-25.305 | 5.9.0 | Published | Jul 04 | http://www.ccsa.org.cn/english/tc/files.php?docpath=/ITU-R/M.1457/M.1457-12/DS |
| ETSI | ETSI TS 125 305 | 5.9.0 | Published | Jul 04 | http://www.etsi.org/deliver/etsi_ts/125300_125399/125305/05.09.00_60/ |
| TTA | TTAT.3G-25.305(R5-5.9.0) | 5.9.0 | Approved | May 05 | http://www.tta.or.kr/data/ttasDown.jsp?where=14688&pk_num=TTAT.3G-25.305(R5-5.9.0) |
| Release 6 | | | | | |
| ARIB | ARIB STD-T63-25.305 | 6.1.0 | Approved | Jul 13 | http://www.arib.or.jp/english/html/overview/doc/STD-T63v10_00/2_T63/ARIB-STD-T63/Rel6/25/A25305-610.pdf |
| ATIS | ATIS.3GPP.25.305V610-2005 | 6.1.0 | Approved | Apr 05 | https://www.atis.org/docstore/default.aspx |
| CCSA | CCSA-TSD-DS-25.305 | 6.1.0 | Published | Jul 04 | http://www.ccsa.org.cn/english/tc/files.php?docpath=/ITU-R/M.1457/M.1457-12/DS |
| ETSI | ETSI TS 125 305 | 6.1.0 | Published | Jul 04 | http://www.etsi.org/deliver/etsi_ts/125300_125399/125305/06.01.00_60/ |
| TTA | TTAT.3G-25.305(R6-6.1.0) | 6.1.0 | Approved | May 05 | http://www.tta.or.kr/data/ttasDown.jsp?where=14688&pk_num=TTAT.3G-25.305(R6-6.1.0) |
| Release 7 | | | | | |
| ARIB | ARIB STD-T63-25.305 | 7.4.0 | Approved | Jul 13 | http://www.arib.or.jp/english/html/overview/doc/STD-T63v10_00/2_T63/ARIB-STD-T63/Rel7/25/A25305-740.pdf |
| ATIS | ATIS.3GPP.25.305V740-2007 | 7.4.0 | Approved | Oct 07 | https://www.atis.org/docstore/default.aspx |
| CCSA | CCSA-TSD-DS-25.305 | 7.4.0 | Published | Oct 07 | http://www.ccsa.org.cn/english/tc/files.php?docpath=/ITU-R/M.1457/M.1457-12/DS |
| ETSI | ETSI TS 125 305 | 7.4.0 | Published | Oct 07 | http://www.etsi.org/deliver/etsi_ts/125300_125399/125305/07.04.00_60/ |
| TTA | TTAT.3G-25.305(R7-7.4.0) | 7.4.0 | Approved | Oct 08 | http://www.tta.or.kr/data/ttasDown.jsp?where=14688&pk_num=TTAT.3G-25.305(R7-7.4.0) |
| Release 8 | | | | | |
| ARIB | ARIB STD-T63-25.305 | 8.1.0 | Approved | Jul 13 | http://www.arib.or.jp/english/html/overview/doc/STD-T63v10_00/2_T63/ARIB-STD-T63/Rel8/25/A25305-810.pdf |
| ATIS | ATIS.3GPP.25.305V810-2009 | 8.1.0 | Approved | Jul 09 | https://www.atis.org/docstore/default.aspx |
| CCSA | CCSA-TSD-DS-25.305 | 8.1.0 | Published | Jan 09 | http://www.ccsa.org.cn/english/tc/files.php?docpath=/ITU-R/M.1457/M.1457-12/DS |
| ETSI | ETSI TS 125 305 | 8.1.0 | Published | Jan 09 | http://www.etsi.org/deliver/etsi_ts/125300_125399/125305/08.01.00_60/ |
| TTA | TTAT.3G-25.305(R8-8.1.0) | 8.1.0 | Approved | Jul 09 | http://www.tta.or.kr/data/ttasDown.jsp?where=14688&pk_num=TTAT.3G-25.305(R8-8.1.0) |
| Release 9 | | | | | |
| ARIB | ARIB STD-T63-25.305 | 9.0.0 | Approved | Jul 13 | http://www.arib.or.jp/english/html/overview/doc/STD-T63v10_00/2_T63/ARIB-STD-T63/Rel9/25/A25305-900.pdf |
| ATIS | ATIS.3GPP.25.305V900-2010 | 9.0.0 | Approved | Jul 10 | https://www.atis.org/docstore/default.aspx |
| CCSA | CCSA-TSD-DS-25.305 | 9.0.0 | Published | Mar 10 | http://www.ccsa.org.cn/english/tc/files.php?docpath=/ITU-R/M.1457/M.1457-12/DS |
| ETSI | ETSI TS 125 305 | 9.0.0 | Published | Feb 10 | http://www.etsi.org/deliver/etsi_ts/125300_125399/125305/09.00.00_60/ |
| TTA | TTAT.3G-25.305(R9-9.0.0) | 9.0.0 | Approved | Jul 10 | http://www.tta.or.kr/data/ttasDown.jsp?where=14688&pk_num=TTAT.3G-25.305(R9-9.0.0) |
| Release 10 | | | | | |
| ARIB | ARIB STD-T63-25.305 | 10.0.0 | Approved | Jul 13 | http://www.arib.or.jp/english/html/overview/doc/STD-T63v10_00/2_T63/ARIB-STD-T63/Rel10/25/A25305-a00.pdf |
| ATIS | ATIS.3GPP.25.305V1000-2012 | 10.0.0 | Approved | Jul 12 | https://www.atis.org/docstore/default.aspx |
| CCSA | CCSA-TSD-DS-25.305 | 10.0.0 | Published | Jun 12 | http://www.ccsa.org.cn/english/tc/files.php?docpath=/ITU-R/M.1457/M.1457-12/DS |

| | | | | | |
|-------------------|----------------------------|--------|-----------|--------|---|
| ETSI | ETSI TS 125 305 | 10.0.0 | Published | May 11 | http://www.etsi.org/deliver/etsi_ts/125300_125399/125305/10.00.00_60/ |
| TTA | TTAT.3G-25.305(R10-10.0.0) | 10.0.0 | Approved | Aug 12 | http://www.tta.or.kr/data/ttasDown.jsp?where=14688&pk_num=TTAT.3G-25.305(R10-10.0.0) |
| Release 11 | | | | | |
| ARIB | ARIB STD-T63-25.305 | 11.0.0 | Approved | Jul 13 | http://www.arib.or.jp/english/html/overview/doc/STD-T63v10_00/2_T63/ARIB-STD-T63/Rel11/25/A25305-b00.pdf |
| ATIS | ATIS.3GPP.25.305V1100-2014 | 11.0.0 | Approved | May 14 | https://www.atis.org/docstore/default.aspx |
| CCSA | CCSA-TSD-DS-25.305 | 11.0.0 | Published | Jun 14 | http://www.ccsa.org.cn/english/tc/files.php?docpath=/ITU-R/M.1457/M.1457-12/DS |
| ETSI | ETSI TS 125 305 | 11.0.0 | Published | Sep 12 | http://www.etsi.org/deliver/etsi_ts/125300_125399/125305/11.00.00_60/ |
| TTA | TTAT.3G-25.305(R11-11.0.0) | 11.0.0 | published | Aug 14 | http://www.tta.or.kr/data/ttasDown.jsp?where=14688&pk_num=TTAT.3G-22.016(R11-11.0.0) |

5.1.2.2.6 TS 25.306

UE Radio Access capabilities

This document identifies the parameters of the access stratum part of the UE radio access capabilities. Furthermore, some reference configurations of these values are defined. The intention is that these configurations will be used for test specifications.

| SDO (2) | Document No. | Version | Status | Issued date | Location (1) |
|-------------------|----------------------------|---------|-----------|-------------|---|
| Release 99 | | | | | |
| ARIB | ARIB STD-T63-25.306 | 3.10.0 | Approved | Jul 13 | http://www.arib.or.jp/english/html/overview/doc/STD-T63v10_00/2_T63/ARIB-STD-T63/R99/25/A25306-3a0.pdf |
| ATIS | T1.3GPP.25.306V3100-2004 | 3.10.0 | Approved | May 04 | https://www.atis.org/docstore/default.aspx |
| CCSA | CCSA-TSD-DS-25.306 | 3.10.0 | Published | Jan 04 | http://www.ccsa.org.cn/english/tc/files.php?docpath=/ITU-R/M.1457/M.1457-12/DS |
| ETSI | ETSI TS 125 306 | 3.10.0 | Published | Jan 04 | http://www.etsi.org/deliver/etsi_ts/125300_125399/125306/03.10.00_60/ |
| TTA | TTAT.3G-25.306(R99-3.10.0) | 3.10.0 | Approved | May 04 | http://www.tta.or.kr/data/ttasDown.jsp?where=14688&pk_num=TTAT.3G-25.306(R99-3.10.0) |
| Release 4 | | | | | |
| ARIB | ARIB STD-T63-25.306 | 4.11.0 | Approved | Jul 13 | http://www.arib.or.jp/english/html/overview/doc/STD-T63v10_00/2_T63/ARIB-STD-T63/Rel4/25/A25306-4b0.pdf |
| ATIS | ATIS.3GPP.25.306V4110-2009 | 4.11.0 | Approved | Jul 09 | https://www.atis.org/docstore/default.aspx |
| CCSA | CCSA-TSD-DS-25.306 | 4.11.0 | Published | Apr 09 | http://www.ccsa.org.cn/english/tc/files.php?docpath=/ITU-R/M.1457/M.1457-12/DS |
| ETSI | ETSI TS 125 306 | 4.11.0 | Published | Apr 09 | http://www.etsi.org/deliver/etsi_ts/125300_125399/125306/04.11.00_60/ |
| TTA | TTAT.3G-25.306(R4-4.11.0) | 4.11.0 | Approved | Jul 09 | http://www.tta.or.kr/data/ttasDown.jsp?where=14688&pk_num=TTAT.3G-25.306(R4-4.11.0) |
| Release 5 | | | | | |
| ARIB | ARIB STD-T63-25.306 | 5.15.0 | Approved | Jul 13 | http://www.arib.or.jp/english/html/overview/doc/STD-T63v10_00/2_T63/ARIB-STD-T63/Rel5/25/A25306-5f0.pdf |
| ATIS | ATIS.3GPP.25.306V5150-2009 | 5.15.0 | Approved | Jul 09 | https://www.atis.org/docstore/default.aspx |
| CCSA | CCSA-TSD-DS-25.306 | 5.15.0 | Published | Apr 09 | http://www.ccsa.org.cn/english/tc/files.php?docpath=/ITU-R/M.1457/M.1457-12/DS |
| ETSI | ETSI TS 125 306 | 5.15.0 | Published | Apr 09 | http://www.etsi.org/deliver/etsi_ts/125300_125399/125306/05.15.00_60/ |
| TTA | TTAT.3G-25.306(R5-5.15.0) | 5.15.0 | Approved | Jul 09 | http://www.tta.or.kr/data/ttasDown.jsp?where=14688&pk_num=TTAT.3G-25.306(R5-5.15.0) |
| Release 6 | | | | | |
| ARIB | ARIB STD-T63-25.306 | 6.13.0 | Approved | Jul 13 | http://www.arib.or.jp/english/html/overview/doc/STD-T63v10_00/2_T63/ARIB-STD-T63/Rel6/25/A25306-6d0.pdf |
| ATIS | ATIS.3GPP.25.306V6130-2009 | 6.13.0 | Approved | Jul 09 | https://www.atis.org/docstore/default.aspx |
| CCSA | CCSA-TSD-DS-25.306 | 6.13.0 | Published | Apr 09 | http://www.ccsa.org.cn/english/tc/files.php?docpath=/ITU-R/M.1457/M.1457-12/DS |
| ETSI | ETSI TS 125 306 | 6.13.0 | Published | Apr 09 | http://www.etsi.org/deliver/etsi_ts/125300_125399/125306/06.13.00_60/ |
| TTA | TTAT.3G-25.306(R6-6.13.0) | 6.13.0 | Approved | Jul 09 | http://www.tta.or.kr/data/ttasDown.jsp?where=14688&pk_num=TTAT.3G-25.306(R6-6.13.0) |
| Release 7 | | | | | |
| ARIB | ARIB STD-T63-25.306 | 7.12.0 | Approved | Jul 13 | http://www.arib.or.jp/english/html/overview/doc/STD-T63v10_00/2_T63/ARIB-STD-T63/Rel7/25/A25306-7c0.pdf |

| | | | | | |
|-------------------|----------------------------|--------|-----------|--------|---|
| ATIS | ATIS.3GPP.25.306V7120-2014 | 7.12.0 | Approved | May 14 | https://www.atis.org/docstore/default.aspx |
| CCSA | CCSA-TSD-DS-25.306 | 7.12.0 | Published | Jun 12 | http://www.ccsa.org.cn/english/tc/files.php?docpath=/ITU-R/M.1457/M.1457-12/DS |
| ETSI | ETSI TS 125 306 | 7.12.0 | Published | Jan 12 | http://www.etsi.org/deliver/etsi_ts/125300_125399/125306/07.12.00_60/ |
| TTA | TTAT.3G-25.306(R7-7.9.0) | 7.9.0 | Approved | Jul 09 | http://www.tta.or.kr/data/ttasDown.jsp?where=14688&pk_num=TTAT.3G-25.306(R7-7.9.0) |
| Release 8 | | | | | |
| ARIB | ARIB STD-T63-25.306 | 8.12.0 | Approved | Jul 13 | http://www.arib.or.jp/english/html/overview/doc/STD-T63v10_00/2_T63/ARIB-STD-T63/Rel8/25/A25306-8c0.pdf |
| ATIS | ATIS.3GPP.25.306V8120-2012 | 8.12.0 | Approved | Jul 12 | https://www.atis.org/docstore/default.aspx |
| CCSA | CCSA-TSD-DS-25.306 | 8.12.0 | Published | Jun 12 | http://www.ccsa.org.cn/english/tc/files.php?docpath=/ITU-R/M.1457/M.1457-12/DS |
| ETSI | ETSI TS 125 306 | 8.12.0 | Published | Jul 11 | http://www.etsi.org/deliver/etsi_ts/125300_125399/125306/08.12.00_60/ |
| TTA | TTAT.3G-25.306(R8-8.6.0) | 8.6.0 | Approved | Jul 09 | http://www.tta.or.kr/data/ttasDown.jsp?where=14688&pk_num=TTAT.3G-25.306(R8-8.6.0) |
| Release 9 | | | | | |
| ARIB | ARIB STD-T63-25.306 | 9.10.0 | Approved | Jul 13 | http://www.arib.or.jp/english/html/overview/doc/STD-T63v10_00/2_T63/ARIB-STD-T63/Rel9/25/A25306-9a0.pdf |
| ATIS | ATIS.3GPP.25.306V9100-2014 | 9.10.0 | Approved | May 14 | https://www.atis.org/docstore/default.aspx |
| CCSA | CCSA-TSD-DS-25.306 | 9.8.1 | Published | Jun 12 | http://www.ccsa.org.cn/english/tc/files.php?docpath=/ITU-R/M.1457/M.1457-12/DS |
| ETSI | ETSI TS 125 306 | 9.10.0 | Published | Jan 13 | http://www.etsi.org/deliver/etsi_ts/125300_125399/125306/09.10.00_60/ |
| TTA | TTAT.3G-25.306(R9-9.2.0) | 9.2.0 | Approved | Jul 10 | http://www.tta.or.kr/data/ttasDown.jsp?where=14688&pk_num=TTAT.3G-25.306(R9-9.2.0) |
| Release 10 | | | | | |
| ARIB | ARIB STD-T63-25.306 | 10.9.0 | Approved | Jul 13 | http://www.arib.or.jp/english/html/overview/doc/STD-T63v10_00/2_T63/ARIB-STD-T63/Rel10/25/A25306-a90.pdf |
| ATIS | ATIS.3GPP.25.306V1090-2014 | 10.9.0 | Approved | May 14 | https://www.atis.org/docstore/default.aspx |
| CCSA | CCSA-TSD-DS-25.306 | 10.5.0 | Published | Jun 12 | http://www.ccsa.org.cn/english/tc/files.php?docpath=/ITU-R/M.1457/M.1457-12/DS |
| ETSI | ETSI TS 125 306 | 10.9.0 | Published | Jan 13 | http://www.etsi.org/deliver/etsi_ts/125300_125399/125306/10.09.00_60/ |
| TTA | TTAT.3G-25.306(R10-10.6.0) | 10.6.0 | Approved | Aug 12 | http://www.tta.or.kr/data/ttasDown.jsp?where=14688&pk_num=TTAT.3G-25.306(R10-10.6.0) |
| Release 11 | | | | | |
| ARIB | ARIB STD-T63-25.306 | 11.5.0 | Approved | Jul 13 | http://www.arib.or.jp/english/html/overview/doc/STD-T63v10_00/2_T63/ARIB-STD-T63/Rel11/25/A25306-b50.pdf |
| ATIS | ATIS.3GPP.25.306V1150-2014 | 11.5.0 | Approved | May 14 | https://www.atis.org/docstore/default.aspx |
| CCSA | CCSA-TSD-DS-25.306 | 11.8.0 | Published | Jun 14 | http://www.ccsa.org.cn/english/tc/files.php?docpath=/ITU-R/M.1457/M.1457-12/DS |
| ETSI | ETSI TS 125 306 | 11.5.0 | Published | Apr 13 | http://www.etsi.org/deliver/etsi_ts/125300_125399/125306/11.05.00_60/ |
| TTA | TTAT.3G-25.306(R11-11.5.0) | 11.5.0 | published | Aug 14 | http://www.tta.or.kr/data/ttasDown.jsp?where=14688&pk_num=TTAT.3G-22.022(R11-11.0.0) |

5.1.2.2.7 TS 25.307

Requirements on User Equipments (UEs) supporting a release-independent frequency band

This document specifies requirements on UEs supporting a frequency band that is independent of release.

| SDO (2) | Document No. | Version | Status | Issued date | Location (1) |
|-------------------|----------------------------|---------|-----------|-------------|---|
| Release 99 | | | | | |
| ARIB | ARIB STD-T63-25.307 | 3.11.0 | Approved | Jul 13 | http://www.arib.or.jp/english/html/overview/doc/STD-T63v10_00/2_T63/ARIB-STD-T63/R99/25/A25307-3b0.pdf |
| ATIS | ATIS.3GPP.25.307V3110-2008 | 3.11.0 | Approved | Oct 08 | https://www.atis.org/docstore/default.aspx |
| CCSA | CCSA-TSD-DS-25.307 | 3.11.0 | Published | Apr 08 | http://www.ccsa.org.cn/english/tc/files.php?docpath=/ITU-R/M.1457/M.1457-12/DS |
| ETSI | ETSI TS 125 307 | 3.11.0 | Published | Apr 08 | http://www.etsi.org/deliver/etsi_ts/125300_125399/125307/03.11.00_60/ |
| TTA | TTAT.3G-25.307(R99-3.11.0) | 3.11.0 | Approved | Oct 08 | http://www.tta.or.kr/data/ttasDown.jsp?where=14688&pk_num=TTAT.3G-25.307(R99-3.11.0) |
| Release 4 | | | | | |
| ARIB | ARIB STD-T63-25.307 | 4.20.0 | Approved | Jul 13 | http://www.arib.or.jp/english/html/overview/doc/STD-T63v10_00/2_T63/ARIB-STD-T63/Rel4/25/A25307-4k0.pdf |

| | | | | | |
|-------------------|----------------------------|--------|-----------|--------|---|
| ATIS | ATIS.3GPP.25.307V4160-2010 | 4.16.0 | Approved | Jul 10 | https://www.atis.org/docstore/default.aspx |
| CCSA | CCSA-TSD-DS-25.307 | 4.18.0 | Published | Jun 12 | http://www.ccsa.org.cn/english/tc/files.php?docpath=/ITU-R/M.1457/M.1457-12/DS |
| ETSI | ETSI TS 125 307 | 4.20.0 | Published | Jan 13 | http://www.etsi.org/deliver/etsi_ts/125300_125399/125307/04.20.00_60/ |
| TTA | TTAT.3G-25.307(R4-4.13.0) | 4.13.0 | Approved | Jul 09 | http://www.tta.or.kr/data/ttasDown.jsp?where=14688&pk_num=TTAT.3G-25.307(R4-4.13.0) |
| Release 5 | | | | | |
| ARIB | ARIB STD-T63-25.307 | 5.19.0 | Approved | Jul 13 | http://www.arib.or.jp/english/html/overview/doc/STD-T63v10_00/2_T63/ARIB-STD-T63/Rel5/25/A25307-5j0.pdf |
| ATIS | ATIS.3GPP.25.307V5190-2014 | 5.19.0 | Approved | May 14 | https://www.atis.org/docstore/default.aspx |
| CCSA | CCSA-TSD-DS-25.307 | 5.17.0 | Published | Jun 12 | http://www.ccsa.org.cn/english/tc/files.php?docpath=/ITU-R/M.1457/M.1457-12/DS |
| ETSI | ETSI TS 125 307 | 5.19.0 | Published | Jan 13 | http://www.etsi.org/deliver/etsi_ts/125300_125399/125307/05.19.00_60/ |
| TTA | TTAT.3G-25.307(R5-5.12.0) | 5.12.0 | Approved | Jul 09 | http://www.tta.or.kr/data/ttasDown.jsp?where=14688&pk_num=TTAT.3G-25.307(R5-5.12.0) |
| Release 6 | | | | | |
| ARIB | ARIB STD-T63-25.307 | 6.16.0 | Approved | Jul 13 | http://www.arib.or.jp/english/html/overview/doc/STD-T63v10_00/2_T63/ARIB-STD-T63/Rel6/25/A25307-6g0.pdf |
| ATIS | ATIS.3GPP.25.307V6160-2014 | 6.16.0 | Approved | May 14 | https://www.atis.org/docstore/default.aspx |
| CCSA | CCSA-TSD-DS-25.307 | 6.14.0 | Published | Jun 12 | http://www.ccsa.org.cn/english/tc/files.php?docpath=/ITU-R/M.1457/M.1457-12/DS |
| ETSI | ETSI TS 125 307 | 6.16.0 | Published | Jan 13 | http://www.etsi.org/deliver/etsi_ts/125300_125399/125307/06.16.00_60/ |
| TTA | TTAT.3G-25.307(R6-6.9.0) | 6.9.0 | Approved | Jul 09 | http://www.tta.or.kr/data/ttasDown.jsp?where=14688&pk_num=TTAT.3G-25.307(R6-6.9.0) |
| Release 7 | | | | | |
| ARIB | ARIB STD-T63-25.307 | 7.12.0 | Approved | Jul 13 | http://www.arib.or.jp/english/html/overview/doc/STD-T63v10_00/2_T63/ARIB-STD-T63/Rel7/25/A25307-7c0.pdf |
| ATIS | ATIS.3GPP.25.307V7120-2014 | 7.12.0 | Approved | May 14 | https://www.atis.org/docstore/default.aspx |
| CCSA | CCSA-TSD-DS-25.307 | 7.10.0 | Published | Jun 12 | http://www.ccsa.org.cn/english/tc/files.php?docpath=/ITU-R/M.1457/M.1457-12/DS |
| ETSI | ETSI TS 125 307 | 7.12.0 | Published | Jan 13 | http://www.etsi.org/deliver/etsi_ts/125300_125399/125307/07.12.00_60/ |
| TTA | TTAT.3G-25.307(R7-7.5.0) | 7.5.0 | Approved | Jul 09 | http://www.tta.or.kr/data/ttasDown.jsp?where=14688&pk_num=TTAT.3G-25.307(R7-7.5.0) |
| Release 8 | | | | | |
| ARIB | ARIB STD-T63-25.307 | 8.10.0 | Approved | Jul 13 | http://www.arib.or.jp/english/html/overview/doc/STD-T63v10_00/2_T63/ARIB-STD-T63/Rel8/25/A25307-8a0.pdf |
| ATIS | ATIS.3GPP.25.307V8100-2014 | 8.10.0 | Approved | May 14 | https://www.atis.org/docstore/default.aspx |
| CCSA | CCSA-TSD-DS-25.307 | 8.8.0 | Published | Jun 12 | http://www.ccsa.org.cn/english/tc/files.php?docpath=/ITU-R/M.1457/M.1457-12/DS |
| ETSI | ETSI TS 125 307 | 8.10.0 | Published | Jan 13 | http://www.etsi.org/deliver/etsi_ts/125300_125399/125307/08.10.00_60/ |
| TTA | TTAT.3G-25.307(R8-8.3.0) | 8.3.0 | Approved | Jul 09 | http://www.tta.or.kr/data/ttasDown.jsp?where=14688&pk_num=TTAT.3G-25.307(R8-8.3.0) |
| Release 9 | | | | | |
| ARIB | ARIB STD-T63-25.307 | 9.6.0 | Approved | Jul 13 | http://www.arib.or.jp/english/html/overview/doc/STD-T63v10_00/2_T63/ARIB-STD-T63/Rel9/25/A25307-960.pdf |
| ATIS | ATIS.3GPP.25.307V960-2014 | 9.6.0 | Approved | May 14 | https://www.atis.org/docstore/default.aspx |
| CCSA | CCSA-TSD-DS-25.307 | 9.4.0 | Published | Jun 12 | http://www.ccsa.org.cn/english/tc/files.php?docpath=/ITU-R/M.1457/M.1457-12/DS |
| ETSI | ETSI TS 125 307 | 9.6.0 | Published | Jan 13 | http://www.etsi.org/deliver/etsi_ts/125300_125399/125307/09.06.00_60/ |
| TTA | TTAT.3G-25.307(R9-9.2.0) | 9.2.0 | Approved | Jul 10 | http://www.tta.or.kr/data/ttasDown.jsp?where=14688&pk_num=TTAT.3G-25.307(R9-9.2.0) |
| Release 10 | | | | | |
| ARIB | ARIB STD-T63-25.307 | 10.4.0 | Approved | Jul 13 | http://www.arib.or.jp/english/html/overview/doc/STD-T63v10_00/2_T63/ARIB-STD-T63/Rel10/25/A25307-a40.pdf |
| ATIS | ATIS.3GPP.25.307V1040-2014 | 10.4.0 | Approved | May 14 | https://www.atis.org/docstore/default.aspx |
| CCSA | CCSA-TSD-DS-25.307 | 10.2.0 | Published | Jun 12 | http://www.ccsa.org.cn/english/tc/files.php?docpath=/ITU-R/M.1457/M.1457-12/DS |
| ETSI | ETSI TS 125 307 | 10.4.0 | Published | Jan 13 | http://www.etsi.org/deliver/etsi_ts/125300_125399/125307/10.04.00_60/ |
| TTA | TTAT.3G-25.307(R10-10.3.0) | 10.3.0 | Approved | Aug 12 | http://www.tta.or.kr/data/ttasDown.jsp?where=14688&pk_num=TTAT.3G-25.307(R10-10.3.0) |
| Release 11 | | | | | |
| ARIB | ARIB STD-T63-25.307 | 11.1.0 | Approved | Jul 13 | http://www.arib.or.jp/english/html/overview/doc/STD-T63v10_00/2_T63/ARIB-STD-T63/Rel11/25/A25307-b10.pdf |
| ATIS | ATIS.3GPP.25.307V1110-2014 | 11.1.0 | Approved | May 14 | https://www.atis.org/docstore/default.aspx |
| CCSA | CCSA-TSD-DS-25.307 | 11.2.0 | Published | Jun 14 | http://www.ccsa.org.cn/english/tc/files.php?docpath=/ITU-R/M.1457/M.1457-12/DS |

| | | | | | |
|------|----------------------------|--------|-----------|--------|---|
| ETSI | ETSI TS 125 307 | 11.1.0 | Published | Jan 13 | http://www.etsi.org/deliver/etsi_ts/125300_125399/125307/11.01.00_60/ |
| TTA | TTAT.3G-25.307(R11-11.1.0) | 11.1.0 | published | Aug 14 | http://www.tta.or.kr/data/ttasDown.jsp?where=14688&pk_num=TTAT.3G-22.024(R11-11.0.0) |

5.1.2.2.8 TS 25.308

UTRA High Speed Downlink Packet Access (HSDPA); Overall description; Stage 2

This document is a technical specification of the overall support of High Speed Downlink Packet Access in UTRA.

| SDO (2) | Document No. | Version | Status | Issued date | Location (1) |
|-------------------|----------------------------|---------|-----------|-------------|---|
| Release 5 | | | | | |
| ARIB | ARIB STD-T63-25.308 | 5.7.0 | Approved | Jul 13 | http://www.arib.or.jp/english/html/overview/doc/STD-T63v10_00/2_T63/ARIB-STD-T63/Rel5/25/A25308-570.pdf |
| ATIS | ATIS.3GPP.25.308V570-2005 | 5.7.0 | Approved | Apr 05 | https://www.atis.org/docstore/default.aspx |
| CCSA | CCSA-TSD-DS-25.308 | 5.7.0 | Published | Jan 05 | http://www.ccsa.org.cn/english/tc/files.php?docpath=/ITU-R/M.1457/M.1457-12/DS |
| ETSI | ETSI TS 125 308 | 5.7.0 | Published | Jan 05 | http://www.etsi.org/deliver/etsi_ts/125300_125399/125308/05.07.00_60/ |
| TTA | TTAT.3G-25.308(R5-5.7.0) | 5.7.0 | Approved | May 05 | http://www.tta.or.kr/data/ttasDown.jsp?where=14688&pk_num=TTAT.3G-25.308(R5-5.7.0) |
| Release 6 | | | | | |
| ARIB | ARIB STD-T63-25.308 | 6.4.0 | Approved | Jul 13 | http://www.arib.or.jp/english/html/overview/doc/STD-T63v10_00/2_T63/ARIB-STD-T63/Rel6/25/A25308-640.pdf |
| ATIS | ATIS.3GPP.25.308V640-2007 | 6.4.0 | Approved | Oct 07 | https://www.atis.org/docstore/default.aspx |
| CCSA | CCSA-TSD-DS-25.308 | 6.4.0 | Published | Apr 07 | http://www.ccsa.org.cn/english/tc/files.php?docpath=/ITU-R/M.1457/M.1457-12/DS |
| ETSI | ETSI TS 125 308 | 6.4.0 | Published | Apr 07 | http://www.etsi.org/deliver/etsi_ts/125300_125399/125308/06.04.00_60/ |
| TTA | TTAT.3G-25.308(R6-6.4.0) | 6.4.0 | Approved | Dec 07 | http://www.tta.or.kr/data/ttasDown.jsp?where=14688&pk_num=TTAT.3G-25.308(R6-6.4.0) |
| Release 7 | | | | | |
| ARIB | ARIB STD-T63-25.308 | 7.12.0 | Approved | Jul 13 | http://www.arib.or.jp/english/html/overview/doc/STD-T63v10_00/2_T63/ARIB-STD-T63/Rel7/25/A25308-7c0.pdf |
| ATIS | ATIS.3GPP.25.308V7120-2012 | 7.12.0 | Approved | Jul 12 | https://www.atis.org/docstore/default.aspx |
| CCSA | CCSA-TSD-DS-25.308 | 7.12.0 | Published | Jun 12 | http://www.ccsa.org.cn/english/tc/files.php?docpath=/ITU-R/M.1457/M.1457-12/DS |
| ETSI | ETSI TS 125 308 | 7.12.0 | Published | Mar 11 | http://www.etsi.org/deliver/etsi_ts/125300_125399/125308/07.12.00_60/ |
| TTA | TTAT.3G-25.308(R7-7.9.0) | 7.9.0 | Approved | Jul 09 | http://www.tta.or.kr/data/ttasDown.jsp?where=14688&pk_num=TTAT.3G-25.308(R7-7.9.0) |
| Release 8 | | | | | |
| ARIB | ARIB STD-T63-25.308 | 8.11.1 | Approved | Jul 13 | http://www.arib.or.jp/english/html/overview/doc/STD-T63v10_00/2_T63/ARIB-STD-T63/Rel8/25/A25308-8b1.pdf |
| ATIS | ATIS.3GPP.25.308V8111-2014 | 8.11.1 | Approved | May 14 | https://www.atis.org/docstore/default.aspx |
| CCSA | CCSA-TSD-DS-25.308 | 8.11.1 | Published | Jun 12 | http://www.ccsa.org.cn/english/tc/files.php?docpath=/ITU-R/M.1457/M.1457-12/DS |
| ETSI | ETSI TS 125 308 | 8.11.1 | Published | Jan 12 | http://www.etsi.org/deliver/etsi_ts/125300_125399/125308/08.11.01_60/ |
| TTA | TTAT.3G-25.308(R8-8.5.0) | 8.5.0 | Approved | Jul 09 | http://www.tta.or.kr/data/ttasDown.jsp?where=14688&pk_num=TTAT.3G-25.308(R8-8.5.0) |
| Release 9 | | | | | |
| ARIB | ARIB STD-T63-25.308 | 9.6.1 | Approved | Jul 13 | http://www.arib.or.jp/english/html/overview/doc/STD-T63v10_00/2_T63/ARIB-STD-T63/Rel9/25/A25308-961.pdf |
| ATIS | ATIS.3GPP.25.308V961-2014 | 9.6.1 | Approved | May 14 | https://www.atis.org/docstore/default.aspx |
| CCSA | CCSA-TSD-DS-25.308 | 9.6.1 | Published | Jun 12 | http://www.ccsa.org.cn/english/tc/files.php?docpath=/ITU-R/M.1457/M.1457-12/DS |
| ETSI | ETSI TS 125 308 | 9.6.1 | Published | Jan 12 | http://www.etsi.org/deliver/etsi_ts/125300_125399/125308/09.06.01_60/ |
| TTA | TTAT.3G-25.308(R9-9.2.0) | 9.2.0 | Approved | Jul 10 | http://www.tta.or.kr/data/ttasDown.jsp?where=14688&pk_num=TTAT.3G-25.308(R9-9.2.0) |
| Release 10 | | | | | |
| ARIB | ARIB STD-T63-25.308 | 10.6.0 | Approved | Jul 13 | http://www.arib.or.jp/english/html/overview/doc/STD-T63v10_00/2_T63/ARIB-STD-T63/Rel10/25/A25308-a60.pdf |
| ATIS | ATIS.3GPP.25.308V1060-2014 | 10.6.0 | Approved | May 14 | https://www.atis.org/docstore/default.aspx |
| CCSA | CCSA-TSD-DS-25.308 | 10.6.0 | Published | Jun 12 | http://www.ccsa.org.cn/english/tc/files.php?docpath=/ITU-R/M.1457/M.1457-12/DS |
| ETSI | ETSI TS 125 308 | 10.6.0 | Published | Jan 12 | http://www.etsi.org/deliver/etsi_ts/125300_125399/125308/10.06.00_60/ |

| | | | | | |
|-------------------|----------------------------|--------|-----------|--------|---|
| TTA | TTAT.3G-25.308(R10-10.6.0) | 10.6.0 | Approved | Aug 12 | http://www.tta.or.kr/data/ttasDown.jsp?where=14688&pk_num=TTAT.3G-25.308(R10-10.6.0) |
| Release 11 | | | | | |
| ARIB | ARIB STD-T63-25.308 | 11.4.0 | Approved | Jul 13 | http://www.arib.or.jp/english/html/overview/doc/STD-T63v10_00/2_T63/ARIB-STD-T63/Rel11/25/A25308-b40.pdf |
| ATIS | ATIS.3GPP.25.308V1140-2014 | 11.4.0 | Approved | May 14 | https://www.atis.org/docstore/default.aspx |
| CCSA | CCSA-TSD-DS-25.308 | 11.8.0 | Published | Jun 14 | http://www.ccsa.org.cn/english/tc/files.php?docpath=/ITU-R/M.1457/M.1457-12/DS |
| ETSI | ETSI TS 125 308 | 11.4.0 | Published | Apr 13 | http://www.etsi.org/deliver/etsi_ts/125300_125399/125308/11.04.00_60/ |
| TTA | TTAT.3G-25.308(R11-11.4.0) | 11.4.0 | published | Aug 14 | http://www.tta.or.kr/data/ttasDown.jsp?where=14688&pk_num=TTAT.3G-22.030(R11-11.0.0) |

5.1.2.2.9 TS 25.309

FDD enhanced uplink; Overall description; Stage 2

This document is a technical specification of the overall support of FDD Enhanced Uplink in UTRA.

| SDO (2) | Document No. | Version | Status | Issued date | Location (1) |
|------------------|---------------------------|---------|-----------|-------------|---|
| Release 6 | | | | | |
| ARIB | ARIB STD-T63-25.309 | 6.6.0 | Approved | Jul 13 | http://www.arib.or.jp/english/html/overview/doc/STD-T63v10_00/2_T63/ARIB-STD-T63/Rel6/25/A25309-660.pdf |
| ATIS | ATIS.3GPP.25.309V660-2007 | 6.6.0 | Approved | Oct 07 | https://www.atis.org/docstore/default.aspx |
| ETSI | ETSI TS 125 309 | 6.6.0 | Published | Jun 06 | http://www.etsi.org/deliver/etsi_ts/125300_125399/125309/06.06.00_60/ |

5.1.2.2.10 TS 25.317

High Speed Packet Access (HSPA); Requirements on User Equipments (UEs) supporting a release-independent frequency band combination

This document specifies requirements on UEs supporting a frequency band combination that is independent of release.

This document specifies requirements on UEs supporting a frequency band combination that is independent of release.

| SDO (2) | Document No. | Version | Status | Issued date | Location (1) |
|-------------------|----------------------------|---------|-----------|-------------|---|
| Release 9 | | | | | |
| ARIB | ARIB STD-T63-25.317 | 9.0.0 | Approved | Jul 13 | http://www.arib.or.jp/english/html/overview/doc/STD-T63v10_00/2_T63/ARIB-STD-T63/Rel9/25/A25317-900.pdf |
| CCSA | CCSA-TSD-DS-25.317 | 9.0.0 | Published | Jun 12 | http://www.ccsa.org.cn/english/tc/files.php?docpath=/ITU-R/M.1457/M.1457-12/DS |
| ETSI | ETSI TS 125 317 | 9.0.0 | Published | Apr 11 | http://www.etsi.org/deliver/etsi_ts/125300_125399/125317/09.00.00_60/ |
| Release 10 | | | | | |
| ARIB | ARIB STD-T63-25.317 | 10.1.0 | Approved | Jul 13 | http://www.arib.or.jp/english/html/overview/doc/STD-T63v10_00/2_T63/ARIB-STD-T63/Rel10/25/A25317-a10.pdf |
| ATIS | ATIS.3GPP.25.317V1010-2012 | 10.1.0 | Approved | Jul 12 | https://www.atis.org/docstore/default.aspx |
| CCSA | CCSA-TSD-DS-25.317 | 10.1.0 | Published | Jun 12 | http://www.ccsa.org.cn/english/tc/files.php?docpath=/ITU-R/M.1457/M.1457-12/DS |
| ETSI | ETSI TS 125 317 | 10.1.0 | Published | Jul 11 | http://www.etsi.org/deliver/etsi_ts/125300_125399/125317/10.01.00_60/ |
| TTA | TTAT.3G-25.317(R10-10.1.0) | 10.1.0 | Approved | Aug 12 | http://www.tta.or.kr/data/ttasDown.jsp?where=14688&pk_num=TTAT.3G-25.317(R10-10.1.0) |
| Release 11 | | | | | |
| ARIB | ARIB STD-T63-25.317 | 11.0.0 | Approved | Jul 13 | http://www.arib.or.jp/english/html/overview/doc/STD-T63v10_00/2_T63/ARIB-STD-T63/Rel11/25/A25317-b00.pdf |
| ATIS | ATIS.3GPP.25.317V1100-2014 | 11.0.0 | Approved | May 14 | https://www.atis.org/docstore/default.aspx |
| CCSA | CCSA-TSD-DS-25.317 | 11.0.0 | Published | Jun 14 | http://www.ccsa.org.cn/english/tc/files.php?docpath=/ITU-R/M.1457/M.1457-12/DS |
| ETSI | ETSI TS 125 317 | 11.0.0 | Published | Sep 12 | http://www.etsi.org/deliver/etsi_ts/125300_125399/125317/11.00.00_60/ |

TTA TTAT.3G-25.317(R11-11.0.0) 11.0.0 published Aug 14 [http://www.tta.or.kr/data/ttasDown.jsp?where=14688&pk_num=TTAT.3G-22.031\(R11-11.0.0\)](http://www.tta.or.kr/data/ttasDown.jsp?where=14688&pk_num=TTAT.3G-22.031(R11-11.0.0))

5.1.2.2.11 TS 25.319

Enhanced uplink; Overall description; Stage 2

This document is a technical specification of the overall support of FDD and TDD Enhanced Uplink in UTRA.

| SDO (2) | Document No. | Version | Status | Issued date | Location (1) |
|-------------------|----------------------------|---------|------------------|-------------|---|
| Release 7 | | | | | |
| ARIB | ARIB STD-T63-25.319 | 7.8.0 | Approved | Jul 13 | http://www.arib.or.jp/english/html/overview/doc/STD-T63v10_00/2_T63/ARIB-STD-T63/Rel7/25/A25319-780.pdf |
| ATIS | ATIS.3GPP.25.319V780-2010 | 7.8.0 | Approved | Jul 10 | https://www.atis.org/docstore/default.aspx |
| CCSA | CCSA-TSD-DS-25.319 | 7.8.0 | Published | Mar 10 | http://www.ccsa.org.cn/english/tc/files.php?docpath=/ITU-R/M.1457/M.1457-12/DS |
| ETSI | ETSI TS 125 319 | 7.8.0 | Published | Feb 10 | http://www.etsi.org/deliver/etsi_ts/125300_125399/125319/07.08.00_60/ |
| TTA | TTAT.3G-25.319(R7-7.6.0) | 7.6.0 | Approved | Oct 08 | http://www.tta.or.kr/data/ttasDown.jsp?where=14688&pk_num=TTAT.3G-25.319(R7-7.6.0) |
| Release 8 | | | | | |
| ARIB | ARIB STD-T63-25.319 | 8.12.0 | Approved | Jul 13 | http://www.arib.or.jp/english/html/overview/doc/STD-T63v10_00/2_T63/ARIB-STD-T63/Rel8/25/A25319-8c0.pdf |
| ATIS | ATIS.3GPP.25.319V8120-2014 | 8.12.0 | Approved | May 14 | https://www.atis.org/docstore/default.aspx |
| CCSA | CCSA-TSD-DS-25.319 | 8.12.0 | Published | Jun 12 | http://www.ccsa.org.cn/english/tc/files.php?docpath=/ITU-R/M.1457/M.1457-12/DS |
| ETSI | ETSI TS 125 319 | 8.12.0 | Published | Jan 12 | http://www.etsi.org/deliver/etsi_ts/125300_125399/125319/08.12.00_60/ |
| TTA | TTAT.3G-25.319(R8-8.5.0) | 8.5.0 | Approved | Jul 09 | http://www.tta.or.kr/data/ttasDown.jsp?where=14688&pk_num=TTAT.3G-25.319(R8-8.5.0) |
| Release 9 | | | | | |
| ARIB | ARIB STD-T63-25.319 | 9.7.0 | Approved | Jul 13 | http://www.arib.or.jp/english/html/overview/doc/STD-T63v10_00/2_T63/ARIB-STD-T63/Rel9/25/A25319-970.pdf |
| ATIS | ATIS.3GPP.25.319V970-2014 | 9.7.0 | Approved | May 14 | https://www.atis.org/docstore/default.aspx |
| CCSA | CCSA-TSD-DS-25.319 | 9.7.0 | Published | Jun 12 | http://www.ccsa.org.cn/english/tc/files.php?docpath=/ITU-R/M.1457/M.1457-12/DS |
| ETSI | ETSI TS 125 319 | 9.7.0 | Published | Jan 12 | http://www.etsi.org/deliver/etsi_ts/125300_125399/125319/09.07.00_60/ |
| TTA | TTAT.3G-25.319(R9-9.3.0) | 9.3.0 | Approved | Jul 10 | http://www.tta.or.kr/data/ttasDown.jsp?where=14688&pk_num=TTAT.3G-25.319(R9-9.3.0) |
| Release 10 | | | | | |
| ARIB | ARIB STD-T63-25.319 | 10.7.0 | Approved | Jul 13 | http://www.arib.or.jp/english/html/overview/doc/STD-T63v10_00/2_T63/ARIB-STD-T63/Rel10/25/A25319-a70.pdf |
| ATIS | ATIS.3GPP.25.319V1070-2014 | 10.7.0 | Approved | May 14 | https://www.atis.org/docstore/default.aspx |
| CCSA | CCSA-TSD-DS-25.319 | 10.2.0 | Published | Jun 12 | http://www.ccsa.org.cn/english/tc/files.php?docpath=/ITU-R/M.1457/M.1457-12/DS |
| ETSI | ETSI TS 125 319 | 10.7.0 | Published | Jan 12 | http://www.etsi.org/deliver/etsi_ts/125300_125399/125319/10.07.00_60/ |
| TTA | TTAT.3G-25.319(R10-10.7.0) | 10.7.0 | Approved | Aug 12 | http://www.tta.or.kr/data/ttasDown.jsp?where=14688&pk_num=TTAT.3G-25.319(R10-10.7.0) |
| Release 11 | | | | | |
| ARIB | ARIB STD-T63-25.319 | 11.6.0 | Approved | Jul 13 | http://www.arib.or.jp/english/html/overview/doc/STD-T63v10_00/2_T63/ARIB-STD-T63/Rel11/25/A25319-b60.pdf |
| ATIS | ATIS.3GPP.25.319V1160-2014 | 11.6.0 | Approved | May 14 | https://www.atis.org/docstore/default.aspx |
| CCSA | CCSA-TSD-DS-25.319 | 11.8.0 | Published | Jun 14 | http://www.ccsa.org.cn/english/tc/files.php?docpath=/ITU-R/M.1457/M.1457-12/DS |
| ETSI | ETSI TS 125 319 | 11.6.0 | Published | Jan 13 | http://www.etsi.org/deliver/etsi_ts/125300_125399/125319/11.06.00_60/ |
| TTA | TTAT.3G-25.319(R11-11.6.0) | 11.6.0 | published Aug 14 | | http://www.tta.or.kr/data/ttasDown.jsp?where=14688&pk_num=TTAT.3G-22.032(R11-11.0.0) |

5.1.2.2.12 TS 25.321

Medium Access Control (MAC) protocol specification

This specification describes the MAC protocol.

| SDO (2) | Document No. | Version | Status | Issued date | Location (1) |
|-------------------|----------------------------|---------|-----------|-------------|---|
| Release 99 | | | | | |
| ARIB | ARIB STD-T63-25.321 | 3.17.0 | Approved | Jul 13 | http://www.arib.or.jp/english/html/overview/doc/STD-T63v10_00/2_T63/ARIB-STD-T63/R99/25/A25321-3h0.pdf |
| ATIS | ATIS.3GPP.25.321V3170-2005 | 3.17.0 | Approved | Apr 05 | https://www.atis.org/docstore/default.aspx |
| CCSA | CCSA-TSD-DS-25.321 | 3.17.0 | Published | Jul 04 | http://www.ccsa.org.cn/english/tc/files.php?docpath=/ITU-R/M.1457/M.1457-12/DS |
| ETSI | ETSI TS 125 321 | 3.17.0 | Published | Jul 04 | http://www.etsi.org/deliver/etsi_ts/125300_125399/125321/03.17.00_60/ |
| TTA | TTAT.3G-25.321(R99-3.17.0) | 3.17.0 | Approved | May 05 | http://www.tta.or.kr/data/ttasDown.jsp?where=14688&pk_num=TTAT.3G-25.321(R99-3.17.0) |
| Release 4 | | | | | |
| ARIB | ARIB STD-T63-25.321 | 4.10.0 | Approved | Jul 13 | http://www.arib.or.jp/english/html/overview/doc/STD-T63v10_00/2_T63/ARIB-STD-T63/Rel4/25/A25321-4a0.pdf |
| ATIS | ATIS.3GPP.25.321V4100-2005 | 4.10.0 | Approved | Apr 05 | https://www.atis.org/docstore/default.aspx |
| CCSA | CCSA-TSD-DS-25.321 | 4.10.0 | Published | Jul 04 | http://www.ccsa.org.cn/english/tc/files.php?docpath=/ITU-R/M.1457/M.1457-12/DS |
| ETSI | ETSI TS 125 321 | 4.10.0 | Published | Jul 04 | http://www.etsi.org/deliver/etsi_ts/125300_125399/125321/04.10.00_60/ |
| TTA | TTAT.3G-25.321(R4-4.10.0) | 4.10.0 | Approved | May 05 | http://www.tta.or.kr/data/ttasDown.jsp?where=14688&pk_num=TTAT.3G-25.321(R4-4.10.0) |
| Release 5 | | | | | |
| ARIB | ARIB STD-T63-25.321 | 5.14.0 | Approved | Jul 13 | http://www.arib.or.jp/english/html/overview/doc/STD-T63v10_00/2_T63/ARIB-STD-T63/Rel5/25/A25321-5e0.pdf |
| ATIS | ATIS.3GPP.25.321V5140-2009 | 5.14.0 | Approved | Jul 09 | https://www.atis.org/docstore/default.aspx |
| CCSA | CCSA-TSD-DS-25.321 | 5.14.0 | Published | Oct 08 | http://www.ccsa.org.cn/english/tc/files.php?docpath=/ITU-R/M.1457/M.1457-12/DS |
| ETSI | ETSI TS 125 321 | 5.14.0 | Published | Oct 08 | http://www.etsi.org/deliver/etsi_ts/125300_125399/125321/05.14.00_60/ |
| TTA | TTAT.3G-25.321(R5-5.14.0) | 5.14.0 | Approved | Jul 09 | http://www.tta.or.kr/data/ttasDown.jsp?where=14688&pk_num=TTAT.3G-25.321(R5-5.14.0) |
| Release 6 | | | | | |
| ARIB | ARIB STD-T63-25.321 | 6.18.0 | Approved | Jul 13 | http://www.arib.or.jp/english/html/overview/doc/STD-T63v10_00/2_T63/ARIB-STD-T63/Rel6/25/A25321-6i0.pdf |
| ATIS | ATIS.3GPP.25.321V6180-2009 | 6.18.0 | Approved | Jul 09 | https://www.atis.org/docstore/default.aspx |
| CCSA | CCSA-TSD-DS-25.321 | 6.18.0 | Published | Apr 09 | http://www.ccsa.org.cn/english/tc/files.php?docpath=/ITU-R/M.1457/M.1457-12/DS |
| ETSI | ETSI TS 125 321 | 6.18.0 | Published | Apr 09 | http://www.etsi.org/deliver/etsi_ts/125300_125399/125321/06.18.00_60/ |
| TTA | TTAT.3G-25.321(R6-6.18.0) | 6.18.0 | Approved | Jul 09 | http://www.tta.or.kr/data/ttasDown.jsp?where=14688&pk_num=TTAT.3G-25.321(R6-6.18.0) |
| Release 7 | | | | | |
| ARIB | ARIB STD-T63-25.321 | 7.19.0 | Approved | Jul 13 | http://www.arib.or.jp/english/html/overview/doc/STD-T63v10_00/2_T63/ARIB-STD-T63/Rel7/25/A25321-7j0.pdf |
| ATIS | ATIS.3GPP.25.321V7190-2012 | 7.19.0 | Approved | Jul 12 | https://www.atis.org/docstore/default.aspx |
| CCSA | CCSA-TSD-DS-25.321 | 7.19.0 | Published | Jun 12 | http://www.ccsa.org.cn/english/tc/files.php?docpath=/ITU-R/M.1457/M.1457-12/DS |
| ETSI | ETSI TS 125 321 | 7.19.0 | Published | Jan 11 | http://www.etsi.org/deliver/etsi_ts/125300_125399/125321/07.19.00_60/ |
| TTA | TTAT.3G-25.321(R7-7.12.0) | 7.12.0 | Approved | Jul 09 | http://www.tta.or.kr/data/ttasDown.jsp?where=14688&pk_num=TTAT.3G-25.321(R7-7.12.0) |
| Release 8 | | | | | |
| ARIB | ARIB STD-T63-25.321 | 8.17.0 | Approved | Jul 13 | http://www.arib.or.jp/english/html/overview/doc/STD-T63v10_00/2_T63/ARIB-STD-T63/Rel8/25/A25321-8h0.pdf |
| ATIS | ATIS.3GPP.25.321V8170-2014 | 8.17.0 | Approved | May 14 | https://www.atis.org/docstore/default.aspx |
| CCSA | CCSA-TSD-DS-25.321 | 8.14.0 | Published | Jun 12 | http://www.ccsa.org.cn/english/tc/files.php?docpath=/ITU-R/M.1457/M.1457-12/DS |
| ETSI | ETSI TS 125 321 | 8.17.0 | Published | Jan 13 | http://www.etsi.org/deliver/etsi_ts/125300_125399/125321/08.17.00_60/ |
| TTA | TTAT.3G-25.321(R8-8.5.0) | 8.5.0 | Approved | Jul 09 | http://www.tta.or.kr/data/ttasDown.jsp?where=14688&pk_num=TTAT.3G-25.321(R8-8.5.0) |
| Release 9 | | | | | |
| ARIB | ARIB STD-T63-25.321 | 9.10.0 | Approved | Jul 13 | http://www.arib.or.jp/english/html/overview/doc/STD-T63v10_00/2_T63/ARIB-STD-T63/Rel9/25/A25321-9a0.pdf |
| ATIS | ATIS.3GPP.25.321V9100-2014 | 9.10.0 | Approved | May 14 | https://www.atis.org/docstore/default.aspx |
| CCSA | CCSA-TSD-DS-25.321 | 9.7.0 | Published | Jun 12 | http://www.ccsa.org.cn/english/tc/files.php?docpath=/ITU-R/M.1457/M.1457-12/DS |
| ETSI | ETSI TS 125 321 | 9.10.0 | Published | Jan 13 | http://www.etsi.org/deliver/etsi_ts/125300_125399/125321/09.10.00_60/ |
| TTA | TTAT.3G-25.321(R9-9.2.0) | 9.2.0 | Approved | Jul 10 | http://www.tta.or.kr/data/ttasDown.jsp?where=14688&pk_num=TTAT.3G-25.321(R9-9.2.0) |

Release 10

| | | | | | |
|------|----------------------------|--------|-----------|--------|---|
| ARIB | ARIB STD-T63-25.321 | 10.8.0 | Approved | Jul 13 | http://www.arib.or.jp/english/html/overview/doc/STD-T63v10_00/2_T63/ARIB-STD-T63/Rel10/25/A25321-a80.pdf |
| ATIS | ATIS.3GPP.25.321V1080-2014 | 10.8.0 | Approved | May 14 | https://www.atis.org/docstore/default.aspx |
| CCSA | CCSA-TSD-DS-25.321 | 10.5.0 | Published | Jun 12 | http://www.ccsa.org.cn/english/tc/files.php?docpath=/ITU-R/M.1457/M.1457-12/DS |
| ETSI | ETSI TS 125 321 | 10.8.0 | Published | Jan 13 | http://www.etsi.org/deliver/etsi_ts/125300_125399/125321/10.08.00_60/ |
| TTA | TTAT.3G-25.321(R10-10.5.0) | 10.5.0 | Approved | Aug 12 | http://www.tta.or.kr/data/ttasDown.jsp?where=14688&pk_num=TTAT.3G-25.321(R10-10.5.0) |

Release 11

| | | | | | |
|------|----------------------------|--------|-----------|--------|---|
| ARIB | ARIB STD-T63-25.321 | 11.3.0 | Approved | Jul 13 | http://www.arib.or.jp/english/html/overview/doc/STD-T63v10_00/2_T63/ARIB-STD-T63/Rel11/25/A25321-b30.pdf |
| ATIS | ATIS.3GPP.25.321V1130-2014 | 11.3.0 | Approved | May 14 | https://www.atis.org/docstore/default.aspx |
| CCSA | CCSA-TSD-DS-25.321 | 11.5.0 | Published | Jun 14 | http://www.ccsa.org.cn/english/tc/files.php?docpath=/ITU-R/M.1457/M.1457-12/DS |
| ETSI | ETSI TS 125 321 | 11.3.0 | Published | Jan 13 | http://www.etsi.org/deliver/etsi_ts/125300_125399/125321/11.03.00_60/ |
| TTA | TTAT.3G-25.321(R11-11.3.0) | 11.3.0 | published | Aug 14 | http://www.tta.or.kr/data/ttasDown.jsp?where=14688&pk_num=TTAT.3G-22.034(R11-11.0.0) |

5.1.2.2.13 TS 25.322**Radio Link Control (RLC) protocol specification**

This specification describes the RLC protocol.

| SDO (2) | Document No. | Version | Status | Issued date | Location (1) |
|-------------------|----------------------------|---------|-----------|-------------|---|
| Release 99 | | | | | |
| ATIS | ATIS.3GPP.25.322V3180-2005 | 3.18.0 | Approved | Apr 05 | https://www.atis.org/docstore/default.aspx |
| CCSA | CCSA-TSD-DS-25.322 | 3.18.0 | Published | Jul 04 | http://www.ccsa.org.cn/english/tc/files.php?docpath=/ITU-R/M.1457/M.1457-12/DS |
| ETSI | ETSI TS 125 322 | 3.18.0 | Published | Jul 04 | http://www.etsi.org/deliver/etsi_ts/125300_125399/125322/03.18.00_60/ |
| TTA | TTAT.3G-25.322(R99-3.18.0) | 3.18.0 | Approved | May 05 | http://www.tta.or.kr/data/ttasDown.jsp?where=14688&pk_num=TTAT.3G-25.322(R99-3.18.0) |
| TTC | TS-3GA-25.322(R99)v3.18.0 | 3.18.0 | Approved | Aug 04 | http://www.ttc.or.jp/j/document_list/free/TS/TS-3GA-25.322(R99)v3.18.0.pdf |
| Release 4 | | | | | |
| ATIS | ATIS.3GPP.25.322V4120-2005 | 4.12.0 | Approved | Apr 05 | https://www.atis.org/docstore/default.aspx |
| CCSA | CCSA-TSD-DS-25.322 | 4.12.0 | Published | Jul 04 | http://www.ccsa.org.cn/english/tc/files.php?docpath=/ITU-R/M.1457/M.1457-12/DS |
| ETSI | ETSI TS 125 322 | 4.12.0 | Published | Jul 04 | http://www.etsi.org/deliver/etsi_ts/125300_125399/125322/04.12.00_60/ |
| TTA | TTAT.3G-25.322(R4-4.12.0) | 4.12.0 | Approved | May 05 | http://www.tta.or.kr/data/ttasDown.jsp?where=14688&pk_num=TTAT.3G-25.322(R4-4.12.0) |
| TTC | TS-3GA-25.322(Rel4)v4.12.0 | 4.12.0 | Approved | Aug 04 | http://www.ttc.or.jp/j/document_list/free/TS/TS-3GA-25.322(Rel4)v4.12.0.pdf |
| Release 5 | | | | | |
| ATIS | ATIS.3GPP.25.322V5130-2006 | 5.13.0 | Approved | Apr 06 | https://www.atis.org/docstore/default.aspx |
| CCSA | CCSA-TSD-DS-25.322 | 5.13.0 | Published | Jan 06 | http://www.ccsa.org.cn/english/tc/files.php?docpath=/ITU-R/M.1457/M.1457-12/DS |
| ETSI | ETSI TS 125 322 | 5.13.0 | Published | Jan 06 | http://www.etsi.org/deliver/etsi_ts/125300_125399/125322/05.13.00_60/ |
| TTA | TTAT.3G-25.322(R5-5.13.0) | 5.13.0 | Approved | Apr 06 | http://www.tta.or.kr/data/ttasDown.jsp?where=14688&pk_num=TTAT.3G-25.322(R5-5.13.0) |
| TTC | TS-3GA-25.322(Rel5)v5.13.0 | 5.13.0 | Approved | Feb 06 | http://www.ttc.or.jp/j/document_list/free/TS/TS-3GA-25.322(Rel5)v5.13.0.pdf |

Release 6

| | | | | | |
|------|----------------------------|--------|-----------|--------|---|
| ATIS | ATIS.3GPP.25.322V6120-2008 | 6.12.0 | Approved | Oct 08 | https://www.atis.org/docstore/default.aspx |
| CCSA | CCSA-TSD-DS-25.322 | 6.12.0 | Published | Jul 08 | http://www.ccsa.org.cn/english/tc/files.php?docpath=/ITU-R/M.1457/M.1457-12/DS |
| ETSI | ETSI TS 125 322 | 6.12.0 | Published | Jul 08 | http://www.etsi.org/deliver/etsi_ts/125300_125399/125322/06.12.00_60/ |
| TTA | TTAT.3G-25.322(R6-6.12.0) | 6.12.0 | Approved | Oct 08 | http://www.tta.or.kr/data/ttasDown.jsp?where=14688&pk_num=TTAT.3G-25.322(R6-6.12.0) |
| TTC | TS-3GA-25.322(Rel6)v6.12.0 | 6.12.0 | Approved | Feb 09 | http://www.ttc.or.jp/j/document_list/free/3gpps2009/TS/TS-3GA-25.322(Rel6)v6.12.0.pdf |

Release 7

| | | | | | |
|------|----------------------------|--------|-----------|--------|---|
| ATIS | ATIS.3GPP.25.322V7100-2010 | 7.10.0 | Approved | Jul 10 | https://www.atis.org/docstore/default.aspx |
| CCSA | CCSA-TSD-DS-25.322 | 7.10.0 | Published | Mar 10 | http://www.ccsa.org.cn/english/tc/files.php?docpath=/ITU-R/M.1457/M.1457-12/DS |
| ETSI | ETSI TS 125 322 | 7.10.0 | Published | Jul 09 | http://www.etsi.org/deliver/etsi_ts/125300_125399/125322/07.10.00_60/ |
| TTA | TTAT.3G-25.322(R7-7.9.0) | 7.9.0 | Approved | Jul 09 | http://www.tta.or.kr/data/ttasDown.jsp?where=14688&pk_num=TTAT.3G-25.322(R7-7.9.0) |
| TTC | TS-3GA-25.322(Rel7)v7.10.0 | 7.10.0 | Approved | Oct 09 | http://www.ttc.or.jp/j/document_list/free/3gpps2009/TS/TS-3GA-25.322(Rel7)v7.10.0.pdf |

Release 8

| | | | | | |
|------|---------------------------|-------|-----------|--------|---|
| ATIS | ATIS.3GPP.25.322V890-2012 | 8.9.0 | Approved | Jul 12 | https://www.atis.org/docstore/default.aspx |
| CCSA | CCSA-TSD-DS-25.322 | 8.9.0 | Published | Jun 12 | http://www.ccsa.org.cn/english/tc/files.php?docpath=/ITU-R/M.1457/M.1457-12/DS |
| ETSI | ETSI TS 125 322 | 8.9.0 | Published | Jun 10 | http://www.etsi.org/deliver/etsi_ts/125300_125399/125322/08.09.00_60/ |
| TTA | TTAT.3G-25.322(R8-8.4.0) | 8.4.0 | Approved | Jul 09 | http://www.tta.or.kr/data/ttasDown.jsp?where=14688&pk_num=TTAT.3G-25.322(R8-8.4.0) |
| TTC | TS-3GA-25.322(Rel8)v8.9.0 | 8.9.0 | Approved | Oct 10 | http://www.ttc.or.jp/j/document_list/free/3gpps2010/TS/TS-3GA-25.322(Rel8)v8.9.0.pdf |

Release 9

| | | | | | |
|------|---------------------------|--------|-----------|--------|---|
| ATIS | ATIS.3GPP.25.322V930-2012 | 9.3.0 | Approved | Jul 12 | https://www.atis.org/docstore/default.aspx |
| CCSA | CCSA-TSD-DS-25.322 | 9.3.0 | Published | Jun 12 | http://www.ccsa.org.cn/english/tc/files.php?docpath=/ITU-R/M.1457/M.1457-12/DS |
| CCSA | CCSA-TSD-DS-25.322 | 10.1.0 | Published | Jun 12 | http://www.ccsa.org.cn/english/tc/files.php?docpath=/ITU-R/M.1457/M.1457-12/DS |
| ETSI | ETSI TS 125 322 | 9.3.0 | Published | Jul 11 | http://www.etsi.org/deliver/etsi_ts/125300_125399/125322/09.03.00_60/ |
| TTA | TTAT.3G-25.322(R9-9.1.0) | 9.1.0 | Approved | Jul 10 | http://www.tta.or.kr/data/ttasDown.jsp?where=14688&pk_num=TTAT.3G-25.322(R9-9.1.0) |
| TTC | TS-3GA-25.322(Rel9)v9.3.0 | 9.3.0 | Approved | Aug 11 | http://www.ttc.or.jp/j/document_list/free/3gpps2011/TS/TS-3GA-25.322(Rel9)v9.3.0.pdf |

Release 10

| | | | | | |
|------|-----------------------------|--------|-----------|--------|---|
| ATIS | ATIS.3GPP.25.322V1010-2012 | 10.1.0 | Approved | Jul 12 | https://www.atis.org/docstore/default.aspx |
| ETSI | ETSI TS 125 322 | 10.1.0 | Published | Jul 11 | http://www.etsi.org/deliver/etsi_ts/125300_125399/125322/10.01.00_60/ |
| TTA | TTAT.3G-25.322(R10-10.1.0) | 10.1.0 | Approved | Aug 12 | http://www.tta.or.kr/data/ttasDown.jsp?where=14688&pk_num=TTAT.3G-25.322(R10-10.1.0) |
| TTC | TS-3GA-25.322(Rel10)v10.1.0 | 10.1.0 | Approved | Aug 11 | http://www.ttc.or.jp/j/document_list/free/3gpps2011/TS/TS-3GA-25.322(Rel10)v10.1.0.pdf |

Release 11

| | | | | | |
|------|-----------------------------|--------|-----------|--------|---|
| ATIS | ATIS.3GPP.25.322V1120-2014 | 11.2.0 | Approved | May 14 | https://www.atis.org/docstore/default.aspx |
| CCSA | CCSA-TSD-DS-25.322 | 11.2.0 | Published | Jun 14 | http://www.ccsa.org.cn/english/tc/files.php?docpath=/ITU-R/M.1457/M.1457-12/DS |
| ETSI | ETSI TS 125 322 | 11.2.0 | Published | Apr 13 | http://www.etsi.org/deliver/etsi_ts/125300_125399/125322/11.02.00_60/ |
| TTA | TTAT.3G-25.322(R11-11.2.0) | 11.2.0 | published | Aug 14 | http://www.tta.or.kr/data/ttasDown.jsp?where=14688&pk_num=TTAT.3G-22.038(R11-11.0.0) |
| TTC | TS-3GA-25.322(Rel11)v11.2.0 | 11.2.0 | Approved | Jun 13 | http://www.ttc.or.jp/j/document_list/free/3gpps2013/TS/TS-3GA-25.322(Rel11)v11.2.0.pdf |

5.1.2.2.14 TS 25.323**Packet Data Convergence Protocol (PDCP) specification**

This document provides the description of the Packet Data Convergence Protocol (PDCP). PDCP provides its services to the NAS at the UE or the relay at the Radio Network Controller (RNC). PDCP uses the services provided by the Radio Link Control (RLC) sublayer.

| SDO (2) | Document No. | Version | Status | Issued date | Location (1) |
|-------------------|----------------------------|---------|-----------|-------------|---|
| Release 99 | | | | | |
| ATIS | T1.3GPP.25.323V3100-2003 | 3.10.0 | Approved | Mar 03 | https://www.atis.org/docstore/default.aspx |
| CCSA | CCSA-TSD-DS-25.323 | 3.10.0 | Published | Oct 02 | http://www.ccsa.org.cn/english/tc/files.php?docpath=/ITU-R/M.1457/M.1457-12/DS |
| ETSI | ETSI TS 125 323 | 3.10.0 | Published | Oct 02 | http://www.etsi.org/deliver/etsi_ts/125300_125399/125323/03.10.00_60/ |
| TTA | TTAT.3G-25.323(R99-3.10.0) | 3.10.0 | Approved | Mar 03 | http://www.tta.or.kr/data/ttasDown.jsp?where=14688&pk_num=TTAT.3G-25.323(R99-3.10.0) |
| TTC | TS-3GA-25.323(R99)v3.10.0 | 3.10.0 | Approved | Nov 02 | http://www.ttc.or.jp/j/document_list/free/TS/TS-3GA-25.323(R99)v3.10.0.pdf |
| Release 4 | | | | | |
| ATIS | T1.3GPP.25.323V460-2003 | 4.6.0 | Approved | Mar 03 | https://www.atis.org/docstore/default.aspx |
| CCSA | CCSA-TSD-DS-25.323 | 4.6.0 | Published | Oct 02 | http://www.ccsa.org.cn/english/tc/files.php?docpath=/ITU-R/M.1457/M.1457-12/DS |
| ETSI | ETSI TS 125 323 | 4.6.0 | Published | Oct 02 | http://www.etsi.org/deliver/etsi_ts/125300_125399/125323/04.06.00_60/ |
| TTA | TTAT.3G-25.323(R4-4.6.0) | 4.6.0 | Approved | Mar 03 | http://www.tta.or.kr/data/ttasDown.jsp?where=14688&pk_num=TTAT.3G-25.323(R4-4.6.0) |
| TTC | TS-3GA-25.323(Rel4)v4.6.0 | 4.6.0 | Approved | Nov 02 | http://www.ttc.or.jp/j/document_list/free/TS/TS-3GA-25.323(Rel4)v4.6.0.pdf |
| Release 5 | | | | | |
| ATIS | ATIS.3GPP.25.323V5100-2008 | 5.10.0 | Approved | Oct 08 | https://www.atis.org/docstore/default.aspx |
| CCSA | CCSA-TSD-DS-25.323 | 5.10.0 | Published | Jan 08 | http://www.ccsa.org.cn/english/tc/files.php?docpath=/ITU-R/M.1457/M.1457-12/DS |
| ETSI | ETSI TS 125 323 | 5.10.0 | Published | Jan 08 | http://www.etsi.org/deliver/etsi_ts/125300_125399/125323/05.10.00_60/ |
| TTA | TTAT.3G-25.323(R5-5.10.0) | 5.10.0 | Approved | Oct 08 | http://www.tta.or.kr/data/ttasDown.jsp?where=14688&pk_num=TTAT.3G-25.323(R5-5.10.0) |
| TTC | TS-3GA-25.323(Rel5)v5.10.0 | 5.10.0 | Approved | Feb 09 | http://www.ttc.or.jp/j/document_list/free/3gpps2009/TS/TS-3GA-25.323(Rel5)v5.10.0.pdf |
| Release 6 | | | | | |
| ATIS | ATIS.3GPP.25.323V6110-2008 | 6.11.0 | Approved | Oct 08 | https://www.atis.org/docstore/default.aspx |
| CCSA | CCSA-TSD-DS-25.323 | 6.11.0 | Published | Jan 08 | http://www.ccsa.org.cn/english/tc/files.php?docpath=/ITU-R/M.1457/M.1457-12/DS |
| ETSI | ETSI TS 125 323 | 6.11.0 | Published | Jan 08 | http://www.etsi.org/deliver/etsi_ts/125300_125399/125323/06.11.00_60/ |
| TTA | TTAT.3G-25.323(R6-6.11.0) | 6.11.0 | Approved | Oct 08 | http://www.tta.or.kr/data/ttasDown.jsp?where=14688&pk_num=TTAT.3G-25.323(R6-6.11.0) |
| TTC | TS-3GA-25.323(Rel6)v6.11.0 | 6.11.0 | Approved | Feb 09 | http://www.ttc.or.jp/j/document_list/free/3gpps2009/TS/TS-3GA-25.323(Rel6)v6.11.0.pdf |
| Release 7 | | | | | |
| ATIS | ATIS.3GPP.25.323V770-2008 | 7.7.0 | Approved | Oct 08 | https://www.atis.org/docstore/default.aspx |
| CCSA | CCSA-TSD-DS-25.323 | 7.7.0 | Published | Jan 08 | http://www.ccsa.org.cn/english/tc/files.php?docpath=/ITU-R/M.1457/M.1457-12/DS |
| ETSI | ETSI TS 125 323 | 7.7.0 | Published | Jan 08 | http://www.etsi.org/deliver/etsi_ts/125300_125399/125323/07.07.00_60/ |
| TTA | TTAT.3G-25.323(R7-7.7.0) | 7.7.0 | Approved | Oct 08 | http://www.tta.or.kr/data/ttasDown.jsp?where=14688&pk_num=TTAT.3G-25.323(R7-7.7.0) |
| TTC | TS-3GA-25.323(Rel7)v7.7.0 | 7.7.0 | Approved | Feb 09 | http://www.ttc.or.jp/j/document_list/free/3gpps2009/TS/TS-3GA-25.323(Rel7)v7.7.0.pdf |
| Release 8 | | | | | |
| ATIS | ATIS.3GPP.25.323V850-2010 | 8.5.0 | Approved | Jul 10 | https://www.atis.org/docstore/default.aspx |
| CCSA | CCSA-TSD-DS-25.323 | 8.5.0 | Published | Mar 10 | http://www.ccsa.org.cn/english/tc/files.php?docpath=/ITU-R/M.1457/M.1457-12/DS |
| ETSI | ETSI TS 125 323 | 8.5.0 | Published | Feb 10 | http://www.etsi.org/deliver/etsi_ts/125300_125399/125323/08.05.00_60/ |
| TTA | TTAT.3G-25.323(R8-8.4.0) | 8.4.0 | Approved | Jul 09 | http://www.tta.or.kr/data/ttasDown.jsp?where=14688&pk_num=TTAT.3G-25.323(R8-8.4.0) |
| TTC | TS-3GA-25.323(Rel8)v8.5.0 | 8.5.0 | Approved | Apr 10 | http://www.ttc.or.jp/j/document_list/free/3gpps2010/TS/TS-3GA-25.323(Rel8)v8.5.0.pdf |
| Release 9 | | | | | |
| ATIS | ATIS.3GPP.25.323V910-2012 | 9.1.0 | Approved | Jul 12 | https://www.atis.org/docstore/default.aspx |
| CCSA | CCSA-TSD-DS-25.323 | 9.1.0 | Published | Jun 12 | http://www.ccsa.org.cn/english/tc/files.php?docpath=/ITU-R/M.1457/M.1457-12/DS |
| ETSI | ETSI TS 125 323 | 9.1.0 | Published | Oct 10 | http://www.etsi.org/deliver/etsi_ts/125300_125399/125323/09.01.00_60/ |

| | | | | | |
|-------------------|-----------------------------|--------|-----------|--------|---|
| TTA | TTAT.3G-25.323(R9-9.0.0) | 9.0.0 | Approved | Jul 10 | http://www.tta.or.kr/data/ttasDown.jsp?where=14688&pk_num=TTAT.3G-25.323(R9-9.0.0) |
| TTC | TS-3GA-25.323(Rel9)v9.1.0 | 9.1.0 | Approved | Dec 10 | http://www.ttc.or.jp/j/document_list/free/3gpps2010/TS/TS-3GA-25.323(Rel9)v9.1.0.pdf |
| Release 10 | | | | | |
| ATIS | ATIS.3GPP.25.323V1010-2012 | 10.1.0 | Approved | Jul 12 | https://www.atis.org/docstore/default.aspx |
| CCSA | CCSA-TSD-DS-25.323 | 10.1.0 | Published | Jun 12 | http://www.ccsa.org.cn/english/tc/files.php?docpath=/ITU-R/M.1457/M.1457-12/DS |
| ETSI | ETSI TS 125 323 | 10.1.0 | Published | Jul 11 | http://www.etsi.org/deliver/etsi_ts/125300_125399/125323/10.01.00_60/ |
| TTA | TTAT.3G-25.323(R10-10.1.0) | 10.1.0 | Approved | Aug 12 | http://www.tta.or.kr/data/ttasDown.jsp?where=14688&pk_num=TTAT.3G-25.323(R10-10.1.0) |
| TTC | TS-3GA-25.323(Rel10)v10.1.0 | 10.1.0 | Approved | Aug 11 | http://www.ttc.or.jp/j/document_list/free/3gpps2011/TS/TS-3GA-25.323(Rel10)v10.1.0.pdf |
| Release 11 | | | | | |
| ATIS | ATIS.3GPP.25.323V1100-2014 | 11.0.0 | Approved | May 14 | https://www.atis.org/docstore/default.aspx |
| CCSA | CCSA-TSD-DS-25.323 | 11.1.0 | Published | Jun 14 | http://www.ccsa.org.cn/english/tc/files.php?docpath=/ITU-R/M.1457/M.1457-12/DS |
| ETSI | ETSI TS 125 323 | 11.0.0 | Published | Sep 12 | http://www.etsi.org/deliver/etsi_ts/125300_125399/125323/11.00.00_60/ |
| TTA | TTAT.3G-25.323(R11-11.0.0) | 11.0.0 | published | Aug 14 | http://www.tta.or.kr/data/ttasDown.jsp?where=14688&pk_num=TTAT.3G-22.041(R11-11.2.0) |
| TTC | TS-3GA-25.323(Rel11)v11.0.0 | 11.0.0 | Approved | Jun 13 | http://www.ttc.or.jp/j/document_list/free/3gpps2013/TS/TS-3GA-25.323(Rel11)v11.0.0.pdf |

5.1.2.2.15 TS 25.324

Broadcast/Multicast Control (BMC)

This document provides the description of the Broadcast/Multicast Control Protocol (BMC). This protocol adapts broadcast and multicast services on the radio interface.

| SDO (2) | Document No. | Version | Status | Issued date | Location (1) |
|-------------------|---------------------------|---------|-----------|-------------|---|
| Release 99 | | | | | |
| ATIS | ATIS.3GPP.25.324V390-2005 | 3.9.0 | Approved | Apr 05 | https://www.atis.org/docstore/default.aspx |
| CCSA | CCSA-TSD-DS-25.324 | 3.9.0 | Published | Jan 05 | http://www.ccsa.org.cn/english/tc/files.php?docpath=/ITU-R/M.1457/M.1457-12/DS |
| ETSI | ETSI TS 125 324 | 3.9.0 | Published | Jan 05 | http://www.etsi.org/deliver/etsi_ts/125300_125399/125324/03.09.00_60/ |
| TTA | TTAT.3G-25.324(R99-3.9.0) | 3.9.0 | Approved | May 05 | http://www.tta.or.kr/data/ttasDown.jsp?where=14688&pk_num=TTAT.3G-25.324(R99-3.9.0) |
| TTC | TS-3GA-25.324(R99)v3.9.0 | 3.9.0 | Approved | Mar 05 | http://www.ttc.or.jp/j/document_list/free/TS/TS-3GA-25.324(R99)v3.9.0.pdf |
| Release 4 | | | | | |
| ATIS | ATIS.3GPP.25.324V450-2005 | 4.5.0 | Approved | Apr 05 | https://www.atis.org/docstore/default.aspx |
| CCSA | CCSA-TSD-DS-25.324 | 4.5.0 | Published | Jan 05 | http://www.ccsa.org.cn/english/tc/files.php?docpath=/ITU-R/M.1457/M.1457-12/DS |
| ETSI | ETSI TS 125 324 | 4.5.0 | Published | Jan 05 | http://www.etsi.org/deliver/etsi_ts/125300_125399/125324/04.05.00_60/ |
| TTA | TTAT.3G-25.324(R4-4.5.0) | 4.5.0 | Approved | May 05 | http://www.tta.or.kr/data/ttasDown.jsp?where=14688&pk_num=TTAT.3G-25.324(R4-4.5.0) |
| TTC | TS-3GA-25.324(Rel4)v4.5.0 | 4.5.0 | Approved | Mar 05 | http://www.ttc.or.jp/j/document_list/free/TS/TS-3GA-25.324(Rel4)v4.5.0.pdf |
| Release 5 | | | | | |
| ATIS | ATIS.3GPP.25.324V560-2006 | 5.6.0 | Approved | Apr 06 | https://www.atis.org/docstore/default.aspx |
| CCSA | CCSA-TSD-DS-25.324 | 5.6.0 | Published | Oct 05 | http://www.ccsa.org.cn/english/tc/files.php?docpath=/ITU-R/M.1457/M.1457-12/DS |
| ETSI | ETSI TS 125 324 | 5.6.0 | Published | Oct 05 | http://www.etsi.org/deliver/etsi_ts/125300_125399/125324/05.06.00_60/ |
| TTA | TTAT.3G-25.324(R5-5.6.0) | 5.6.0 | Approved | Apr 06 | http://www.tta.or.kr/data/ttasDown.jsp?where=14688&pk_num=TTAT.3G-25.324(R5-5.6.0) |
| TTC | TS-3GA-25.324(Rel5)v5.6.0 | 5.6.0 | Approved | Nov 05 | http://www.ttc.or.jp/j/document_list/free/TS/TS-3GA-25.324(Rel5)v5.6.0.pdf |
| Release 6 | | | | | |
| ATIS | ATIS.3GPP.25.324V660-2007 | 6.6.0 | Approved | Oct 07 | https://www.atis.org/docstore/default.aspx |

| | | | | | |
|-------------------|-----------------------------|--------|-----------|--------|---|
| CCSA | CCSA-TSD-DS-25.324 | 6.6.0 | Published | Jul 06 | http://www.ccsa.org.cn/english/tc/files.php?docpath=/ITU-R/M.1457/M.1457-12/DS |
| ETSI | ETSI TS 125 324 | 6.6.0 | Published | Jul 06 | http://www.etsi.org/deliver/etsi_ts/125300_125399/125324/06.06.00_60/ |
| TTA | TTAT.3G-25.324(R6-6.6.0) | 6.6.0 | Approved | Dec 07 | http://www.tta.or.kr/data/ttasDown.jsp?where=14688&pk_num=TTAT.3G-25.324(R6-6.6.0) |
| TTC | TS-3GA-25.324(Rel6)v6.6.0 | 6.6.0 | Approved | Mar 07 | http://www.ttc.or.jp/j/document_list/free/TS/TS-3GA-25.324(Rel6)v6.6.0.pdf |
| Release 7 | | | | | |
| ATIS | ATIS.3GPP.25.324V710-2007 | 7.1.0 | Approved | Oct 07 | https://www.atis.org/docstore/default.aspx |
| CCSA | CCSA-TSD-DS-25.324 | 7.1.0 | Published | Jul 06 | http://www.ccsa.org.cn/english/tc/files.php?docpath=/ITU-R/M.1457/M.1457-12/DS |
| ETSI | ETSI TS 125 324 | 7.1.0 | Published | Jul 06 | http://www.etsi.org/deliver/etsi_ts/125300_125399/125324/07.01.00_60/ |
| TTA | TTAT.3G-25.324(R7-7.1.0) | 7.1.0 | Approved | Dec 07 | http://www.tta.or.kr/data/ttasDown.jsp?where=14688&pk_num=TTAT.3G-25.324(R7-7.1.0) |
| TTC | TS-3GA-25.324(Rel7)v7.1.0 | 7.1.0 | Approved | Mar 08 | http://www.ttc.or.jp/j/document_list/free/TS/TS-3GA-25.324(Rel7)v7.1.0.pdf |
| Release 8 | | | | | |
| ATIS | ATIS.3GPP.25.324V800-2008 | 8.0.0 | Approved | Oct 08 | https://www.atis.org/docstore/default.aspx |
| CCSA | CCSA-TSD-DS-25.324 | 8.0.0 | Published | Oct 08 | http://www.ccsa.org.cn/english/tc/files.php?docpath=/ITU-R/M.1457/M.1457-12/DS |
| ETSI | ETSI TS 125 324 | 8.0.0 | Published | Oct 08 | http://www.etsi.org/deliver/etsi_ts/125300_125399/125324/08.00.00_60/ |
| TTA | TTAT.3G-25.324(R8-8.0.0) | 8.0.0 | Approved | Oct 08 | http://www.tta.or.kr/data/ttasDown.jsp?where=14688&pk_num=TTAT.3G-25.324(R8-8.0.0) |
| TTC | TS-3GA-25.324(Rel8)v8.0.0 | 8.0.0 | Approved | Feb 09 | http://www.ttc.or.jp/j/document_list/free/3gpps2009/TS/TS-3GA-25.324(Rel8)v8.0.0.pdf |
| Release 9 | | | | | |
| ATIS | ATIS.3GPP.25.324V900-2010 | 9.0.0 | Approved | Jul 10 | https://www.atis.org/docstore/default.aspx |
| CCSA | CCSA-TSD-DS-25.324 | 9.0.0 | Published | Mar 10 | http://www.ccsa.org.cn/english/tc/files.php?docpath=/ITU-R/M.1457/M.1457-12/DS |
| ETSI | ETSI TS 125 324 | 9.0.0 | Published | Feb 10 | http://www.etsi.org/deliver/etsi_ts/125300_125399/125324/09.00.00_60/ |
| TTA | TTAT.3G-25.324(R9-9.0.0) | 9.0.0 | Approved | Jul 10 | http://www.tta.or.kr/data/ttasDown.jsp?where=14688&pk_num=TTAT.3G-25.324(R9-9.0.0) |
| TTC | TS-3GA-25.324(Rel9)v9.0.0 | 9.0.0 | Approved | Jul 10 | http://www.ttc.or.jp/j/document_list/free/3gpps2010/TS/TS-3GA-25.324(Rel9)v9.0.0.pdf |
| Release 10 | | | | | |
| ATIS | ATIS.3GPP.25.324V1000-2012 | 10.0.0 | Approved | Jul 12 | https://www.atis.org/docstore/default.aspx |
| CCSA | CCSA-TSD-DS-25.324 | 10.0.0 | Published | Jun 10 | http://www.ccsa.org.cn/english/tc/files.php?docpath=/ITU-R/M.1457/M.1457-12/DS |
| ETSI | ETSI TS 125 324 | 10.0.0 | Published | Apr 11 | http://www.etsi.org/deliver/etsi_ts/125300_125399/125324/10.00.00_60/ |
| TTA | TTAT.3G-25.324(R10-10.0.0) | 10.0.0 | Approved | Aug 12 | http://www.tta.or.kr/data/ttasDown.jsp?where=14688&pk_num=TTAT.3G-25.324(R10-10.0.0) |
| TTC | TS-3GA-25.324(Rel10)v10.0.0 | 10.0.0 | Approved | Jun 11 | http://www.ttc.or.jp/j/document_list/free/3gpps2011/TS/TS-3GA-25.324(Rel10)v10.0.0.pdf |
| Release 11 | | | | | |
| ATIS | ATIS.3GPP.25.324V1100-2014 | 11.0.0 | Approved | May 14 | https://www.atis.org/docstore/default.aspx |
| CCSA | CCSA-TSD-DS-25.324 | 11.1.0 | Published | Jun 14 | http://www.ccsa.org.cn/english/tc/files.php?docpath=/ITU-R/M.1457/M.1457-12/DS |
| ETSI | ETSI TS 125 324 | 11.0.0 | Published | Sep 12 | http://www.etsi.org/deliver/etsi_ts/125300_125399/125324/11.00.00_60/ |
| TTA | TTAT.3G-25.324(R11-11.0.0) | 11.0.0 | published | Aug 14 | http://www.tta.or.kr/data/ttasDown.jsp?where=14688&pk_num=TTAT.3G-22.042(R11-11.0.0) |
| TTC | TS-3GA-25.324(Rel11)v11.0.0 | 11.0.0 | Approved | Jun 13 | http://www.ttc.or.jp/j/document_list/free/3gpps2013/TS/TS-3GA-25.324(Rel11)v11.0.0.pdf |

5.1.2.2.16 TS 25.327

High Speed Packet Access (HSPA); Requirements on User Equipments (UEs) supporting a release-independent frequency band and multi-carrier configuration

This document specifies requirements on UEs supporting a DB-DC-HSDPA configuration that is independent of release. TSG-RAN has agreed that the standardisation of new configurations may be independent of a release. However, in order to implement a UE that conforms to a particular release but supports a configuration that is specified in a later release, it is necessary to specify some extra requirements.

| SDO (2) | Document No. | Version | Status | Issued date | Location (1) |
|-------------------|----------------------------|---------|-----------|-------------|---|
| Release 11 | | | | | |
| TTA | TTAT.3G-25.327(R11-11.0.0) | 11.0.0 | published | Aug 14 | http://www.tta.or.kr/data/ttasDown.jsp?where=14688&pk_num=TTAT.3G-22.053(R11-11.0.0) |

5.1.2.2.17 TS 25.331

Radio Resource Control (RRC); Protocol specification

This specification describes the RRC protocol for the radio system. The scope of this specification contains also the information to be transported in a transparent container between source RNC and target RNC in connection to SRNC relocation.

| SDO (2) | Document No. | Version | Status | Issued date | Location (1) |
|-------------------|----------------------------|---------|-----------|-------------|---|
| Release 99 | | | | | |
| ATIS | ATIS.3GPP.25.331V3210-2005 | 3.21.0 | Approved | Apr 05 | https://www.atis.org/docstore/default.aspx |
| CCSA | CCSA-TSD-DS-25.331 | 3.21.0 | Published | Jan 05 | http://www.ccsa.org.cn/english/tc/files.php?docpath=/ITU-R/M.1457/M.1457-12/DS |
| ETSI | ETSI TS 125 331 | 3.21.0 | Published | Jan 05 | http://www.etsi.org/deliver/etsi_ts/125300_125399/125331/03.21.00_60/ |
| TTA | TTAT.3G-25.331(R99-3.21.0) | 3.21.0 | Approved | May 05 | http://www.tta.or.kr/data/ttasDown.jsp?where=14688&pk_num=TTAT.3G-25.331(R99-3.21.0) |
| TTC | TS-3GA-25.331(R99)v3.21.0 | 3.21.0 | Approved | Mar 05 | http://www.ttc.or.jp/j/document_list/free/TS/TS-3GA-25.331(R99)v3.21.0.pdf |
| Release 4 | | | | | |
| ATIS | ATIS.3GPP.25.331V4210-2014 | 4.21.0 | Approved | May 14 | https://www.atis.org/docstore/default.aspx |
| CCSA | CCSA-TSD-DS-25.331 | 4.21.0 | Published | Jun 12 | http://www.ccsa.org.cn/english/tc/files.php?docpath=/ITU-R/M.1457/M.1457-12/DS |
| ETSI | ETSI TS 125 331 | 4.21.0 | Published | Jan 12 | http://www.etsi.org/deliver/etsi_ts/125300_125399/125331/04.21.00_60/ |
| TTA | TTAT.3G-25.331(R4-4.20.0) | 4.20.0 | Approved | Jul 09 | http://www.tta.or.kr/data/ttasDown.jsp?where=14688&pk_num=TTAT.3G-25.331(R4-4.20.0) |
| TTC | TS-3GA-25.331(Rel4)v4.21.0 | 4.21.0 | Approved | Feb 12 | http://www.ttc.or.jp/j/document_list/free/3gpps2012/TS/TS-3GA-25.331(Rel4)v4.21.0.pdf |
| Release 5 | | | | | |
| ATIS | ATIS.3GPP.25.331V5250-2014 | 5.25.0 | Approved | May 14 | https://www.atis.org/docstore/default.aspx |
| CCSA | CCSA-TSD-DS-25.331 | 5.25.0 | Published | Jun 12 | http://www.ccsa.org.cn/english/tc/files.php?docpath=/ITU-R/M.1457/M.1457-12/DS |
| ETSI | ETSI TS 125 331 | 5.25.0 | Published | Jan 12 | http://www.etsi.org/deliver/etsi_ts/125300_125399/125331/05.25.00_60/ |
| TTA | TTAT.3G-25.331(R5-5.23.0) | 5.23.0 | Approved | Jul 09 | http://www.tta.or.kr/data/ttasDown.jsp?where=14688&pk_num=TTAT.3G-25.331(R5-5.23.0) |
| TTC | TS-3GA-25.331(Rel5)v5.25.0 | 5.25.0 | Approved | Feb 12 | http://www.ttc.or.jp/j/document_list/free/3gpps2012/TS/TS-3GA-25.331(Rel5)v5.25.0.pdf |
| Release 6 | | | | | |
| ATIS | ATIS.3GPP.25.331V6260-2014 | 6.26.0 | Approved | May 14 | https://www.atis.org/docstore/default.aspx |
| CCSA | CCSA-TSD-DS-25.331 | 6.26.0 | Published | Jun 12 | http://www.ccsa.org.cn/english/tc/files.php?docpath=/ITU-R/M.1457/M.1457-12/DS |
| ETSI | ETSI TS 125 331 | 6.26.0 | Published | Jan 12 | http://www.etsi.org/deliver/etsi_ts/125300_125399/125331/06.26.00_60/ |
| TTA | TTAT.3G-25.331(R6-6.21.0) | 6.21.0 | Approved | Jul 09 | http://www.tta.or.kr/data/ttasDown.jsp?where=14688&pk_num=TTAT.3G-25.331(R6-6.21.0) |
| TTC | TS-3GA-25.331(Rel6)v6.26.0 | 6.26.0 | Approved | Feb 12 | http://www.ttc.or.jp/j/document_list/free/3gpps2012/TS/TS-3GA-25.331(Rel6)v6.26.0.pdf |
| Release 7 | | | | | |
| ATIS | ATIS.3GPP.25.331V7230-2012 | 7.23.0 | Approved | May 14 | https://www.atis.org/docstore/default.aspx |
| CCSA | CCSA-TSD-DS-25.331 | 7.21.0 | Published | Jun 12 | http://www.ccsa.org.cn/english/tc/files.php?docpath=/ITU-R/M.1457/M.1457-12/DS |
| ETSI | ETSI TS 125 331 | 7.23.0 | Published | Feb 13 | http://www.etsi.org/deliver/etsi_ts/125300_125399/125331/07.23.00_60/ |
| TTA | TTAT.3G-25.331(R7-7.12.0) | 7.12.0 | Approved | Jul 09 | http://www.tta.or.kr/data/ttasDown.jsp?where=14688&pk_num=TTAT.3G-25.331(R7-7.12.0) |
| TTC | TS-3GA-25.331(Rel7)v7.23.0 | 7.23.0 | Approved | Jun 13 | http://www.ttc.or.jp/j/document_list/free/3gpps2013/TS/TS-3GA-25.331(Rel7)v7.23.0.pdf |

Release 8

| | | | | | |
|------|----------------------------|--------|-----------|--------|---|
| ATIS | ATIS.3GPP.25.331V8220-2014 | 8.22.0 | Approved | May 14 | https://www.atis.org/docstore/default.aspx |
| CCSA | CCSA-TSD-DS-25.331 | 8.17.0 | Published | Jun 12 | http://www.ccsa.org.cn/english/tc/files.php?docpath=/ITU-R/M.1457/M.1457-12/DS |
| ETSI | ETSI TS 125 331 | 8.22.0 | Published | Apr 13 | http://www.etsi.org/deliver/etsi_ts/125300_125399/125331/08.22.00_60/ |
| TTA | TTAT.3G-25.331(R8-8.6.0) | 8.6.0 | Approved | Jul 09 | http://www.tta.or.kr/data/ttasDown.jsp?where=14688&pk_num=TTAT.3G-25.331(R8-8.6.0) |
| TTC | TS-3GA-25.331(Rel8)v8.22.0 | 8.22.0 | Approved | Jun 13 | http://www.ttc.or.jp/jp/document_list/free/3gpps2013/TS/TS-3GA-25.331(Rel8)v8.22.0.pdf |

Release 9

| | | | | | |
|------|----------------------------|--------|-----------|--------|---|
| ATIS | ATIS.3GPP.25.331V9140-2014 | 9.14.0 | Approved | May 14 | https://www.atis.org/docstore/default.aspx |
| CCSA | CCSA-TSD-DS-25.331 | 9.9.0 | Published | Jun 12 | http://www.ccsa.org.cn/english/tc/files.php?docpath=/ITU-R/M.1457/M.1457-12/DS |
| ETSI | ETSI TS 125 331 | 9.14.0 | Published | Apr 13 | http://www.etsi.org/deliver/etsi_ts/125300_125399/125331/09.14.00_60/ |
| TTA | TTAT.3G-25.331(R9-9.2.1) | 9.2.1 | Approved | Jul 10 | http://www.tta.or.kr/data/ttasDown.jsp?where=14688&pk_num=TTAT.3G-25.331(R9-9.2.1) |
| TTC | TS-3GA-25.331(Rel9)v9.14.0 | 9.14.0 | Approved | Jun 13 | http://www.ttc.or.jp/jp/document_list/free/3gpps2013/TS/TS-3GA-25.331(Rel9)v9.14.0.pdf |

Release 10

| | | | | | |
|------|------------------------------|---------|-----------|--------|---|
| ATIS | ATIS.3GPP.25.331V10110- | 10.11.0 | Approved | May 14 | https://www.atis.org/docstore/default.aspx |
| CCSA | CCSA-TSD-DS-25.331 | 10.6.0 | Published | Jun 12 | http://www.ccsa.org.cn/english/tc/files.php?docpath=/ITU-R/M.1457/M.1457-12/DS |
| ETSI | ETSI TS 125 331 | 10.11.0 | Published | Apr 13 | http://www.etsi.org/deliver/etsi_ts/125300_125399/125331/10.11.00_60/ |
| TTA | TTAT.3G-25.331(R10-10.7.0) | 10.7.0 | Approved | Aug 12 | http://www.tta.or.kr/data/ttasDown.jsp?where=14688&pk_num=TTAT.3G-25.331(R10-10.7.0) |
| TTC | TS-3GA-25.331(Rel10)v10.11.0 | 10.11.0 | Approved | Jun 13 | http://www.ttc.or.jp/jp/document_list/free/3gpps2013/TS/TS-3GA-25.331(Rel10)v10.11.0.pdf |

Release 11

| | | | | | |
|------|-----------------------------|--------|-----------|--------|---|
| ATIS | ATIS.3GPP.25.331V1150-2014 | 11.5.0 | Approved | May 14 | https://www.atis.org/docstore/default.aspx |
| CCSA | CCSA-TSD-DS-25.331 | 11.9.0 | Published | Jun 14 | http://www.ccsa.org.cn/english/tc/files.php?docpath=/ITU-R/M.1457/M.1457-12/DS |
| ETSI | ETSI TS 125 331 | 11.5.0 | Published | Apr 13 | http://www.etsi.org/deliver/etsi_ts/125300_125399/125331/11.05.00_60/ |
| TTA | TTAT.3G-25.331(R11-11.5.0) | 11.5.0 | published | Aug 14 | http://www.tta.or.kr/data/ttasDown.jsp?where=14688&pk_num=TTAT.3G-22.057(R11-11.0.0) |
| TTC | TS-3GA-25.331(Rel11)v11.5.0 | 11.5.0 | Approved | Jun 13 | http://www.ttc.or.jp/jp/document_list/free/3gpps2013/TS/TS-3GA-25.331(Rel11)v11.5.0.pdf |

5.1.2.2.18 TS 25.346**Introduction of the Multimedia Broadcast/Multicast Service (MBMS) in the Radio Access Network (RAN); Stage 2**

This document is a technical specification of the overall support of Multimedia Broadcast and Multicast Services in UTRA.

| SDO (2) | Document No. | Version | Status | Issued date | Location (1) |
|------------------|----------------------------|---------|-----------|-------------|---|
| Release 6 | | | | | |
| ATIS | ATIS.3GPP.25.346V6130-2008 | 6.13.0 | Approved | Oct 08 | https://www.atis.org/docstore/default.aspx |
| CCSA | CCSA-TSD-DS-25.346 | 6.13.0 | Published | Apr 08 | http://www.ccsa.org.cn/english/tc/files.php?docpath=/ITU-R/M.1457/M.1457-12/DS |
| ETSI | ETSI TS 125 346 | 6.13.0 | Published | Apr 08 | http://www.etsi.org/deliver/etsi_ts/125300_125399/125346/06.13.00_60/ |
| TTA | TTAT.3G-25.346(R6-6.13.0) | 6.13.0 | Approved | Oct 08 | http://www.tta.or.kr/data/ttasDown.jsp?where=14688&pk_num=TTAT.3G-25.346(R6-6.13.0) |
| TTC | TS-3GA-25.346(Rel6)v6.13.0 | 6.13.0 | Approved | Feb 09 | http://www.ttc.or.jp/jp/document_list/free/3gpps2009/TS/TS-3GA-25.346(Rel6)v6.13.0.pdf |
| Release 7 | | | | | |
| ATIS | ATIS.3GPP.25.346V770-2008 | 7.7.0 | Approved | Oct 08 | https://www.atis.org/docstore/default.aspx |
| CCSA | CCSA-TSD-DS-25.346 | 7.7.0 | Published | Apr 08 | http://www.ccsa.org.cn/english/tc/files.php?docpath=/ITU-R/M.1457/M.1457-12/DS |
| ETSI | ETSI TS 125 346 | 7.7.0 | Published | Apr 08 | http://www.etsi.org/deliver/etsi_ts/125300_125399/125346/07.07.00_60/ |
| TTA | TTAT.3G-25.346(R7-7.7.0) | 7.7.0 | Approved | Oct 08 | http://www.tta.or.kr/data/ttasDown.jsp?where=14688&pk_num=TTAT.3G-25.346(R7-7.7.0) |
| TTC | TS-3GA-25.346(Rel7)v7.7.0 | 7.7.0 | Approved | Feb 09 | http://www.ttc.or.jp/jp/document_list/free/3gpps2009/TS/TS-3GA-25.346(Rel7)v7.7.0.pdf |

Release 8

| | | | | | |
|------|---------------------------|-------|-----------|--------|---|
| ATIS | ATIS.3GPP.25.346V840-2010 | 8.4.0 | Approved | Jul 10 | https://www.atis.org/docstore/default.aspx |
| CCSA | CCSA-TSD-DS-25.346 | 8.4.0 | Published | Mar 10 | http://www.ccsa.org.cn/english/tc/files.php?docpath=/ITU-R/M.1457/M.1457-12/DS |
| ETSI | ETSI TS 125 346 | 8.4.0 | Published | Feb 10 | http://www.etsi.org/deliver/etsi_ts/125300_125399/125346/08.04.00_60/ |
| TTA | TTAT.3G-25.346(R8-8.3.0) | 8.3.0 | Approved | Jul 09 | http://www.tta.or.kr/data/ttasDown.jsp?where=14688&pk_num=TTAT.3G-25.346(R8-8.3.0) |
| TTC | TS-3GA-25.346(Rel8)v8.4.0 | 8.4.0 | Approved | Apr 10 | http://www.ttc.or.jp/j/document_list/free/3gpps2010/TS/TS-3GA-25.346(Rel8)v8.4.0.pdf |

Release 9

| | | | | | |
|------|---------------------------|-------|-----------|--------|---|
| ATIS | ATIS.3GPP.25.346V910-2010 | 9.1.0 | Approved | Jul 10 | https://www.atis.org/docstore/default.aspx |
| CCSA | CCSA-TSD-DS-25.346 | 9.1.0 | Published | Jun 12 | http://www.ccsa.org.cn/english/tc/files.php?docpath=/ITU-R/M.1457/M.1457-12/DS |
| ETSI | ETSI TS 125 346 | 9.1.0 | Published | Apr 10 | http://www.etsi.org/deliver/etsi_ts/125300_125399/125346/09.01.00_60/ |
| TTA | TTAT.3G-25.346(R9-9.1.0) | 9.1.0 | Approved | Jul 10 | http://www.tta.or.kr/data/ttasDown.jsp?where=14688&pk_num=TTAT.3G-25.346(R9-9.1.0) |
| TTC | TS-3GA-25.346(Rel9)v9.1.0 | 9.1.0 | Approved | Jul 10 | http://www.ttc.or.jp/j/document_list/free/3gpps2010/TS/TS-3GA-25.346(Rel9)v9.1.0.pdf |

Release 10

| | | | | | |
|------|-----------------------------|--------|-----------|--------|---|
| ATIS | ATIS.3GPP.25.346V1000-2012 | 10.0.0 | Approved | Jul 12 | https://www.atis.org/docstore/default.aspx |
| CCSA | CCSA-TSD-DS-25.346 | 10.0.0 | Published | Jun 12 | http://www.ccsa.org.cn/english/tc/files.php?docpath=/ITU-R/M.1457/M.1457-12/DS |
| ETSI | ETSI TS 125 346 | 10.0.0 | Published | Mar 11 | http://www.etsi.org/deliver/etsi_ts/125300_125399/125346/10.00.00_60/ |
| TTA | TTAT.3G-25.346(R10-10.0.0) | 10.0.0 | Approved | Aug 12 | http://www.tta.or.kr/data/ttasDown.jsp?where=14688&pk_num=TTAT.3G-25.346(R10-10.0.0) |
| TTC | TS-3GA-25.346(Rel10)v10.0.0 | 10.0.0 | Approved | Jun 11 | http://www.ttc.or.jp/j/document_list/free/3gpps2011/TS/TS-3GA-25.346(Rel10)v10.0.0.pdf |

Release 11

| | | | | | |
|------|-----------------------------|--------|-----------|--------|---|
| ATIS | ATIS.3GPP.25.346V1100-2014 | 11.0.0 | Approved | May 14 | https://www.atis.org/docstore/default.aspx |
| CCSA | CCSA-TSD-DS-25.346 | 11.0.0 | Published | Jun 14 | http://www.ccsa.org.cn/english/tc/files.php?docpath=/ITU-R/M.1457/M.1457-12/DS |
| ETSI | ETSI TS 125 346 | 11.0.0 | Published | Sep 12 | http://www.etsi.org/deliver/etsi_ts/125300_125399/125346/11.00.00_60/ |
| TTA | TTAT.3G-25.346(R11-11.1.0) | 11.1.0 | published | Aug 14 | http://www.tta.or.kr/data/ttasDown.jsp?where=14688&pk_num=TTAT.3G-22.060(R11-11.0.0) |
| TTC | TS-3GA-25.346(Rel11)v11.0.0 | 11.0.0 | Approved | Jun 13 | http://www.ttc.or.jp/j/document_list/free/3gpps2013/TS/TS-3GA-25.346(Rel11)v11.0.0.pdf |

5.1.2.2.19 TS 25.367**Mobility procedures for Home Node B (HNB); Overall description; Stage 2**

This document provides a high level description of the mobility procedures applicable to Home NodeB support.

| SDO (2) | Document No. | Version | Status | Issued date | Location (1) |
|------------------|---------------------------|---------|-----------|-------------|---|
| Release 8 | | | | | |
| ARIB | ARIB STD-T63-25.367 | 8.3.0 | Approved | Jul 13 | http://www.arib.or.jp/english/html/overview/doc/STD-T63v10_00/2_T63/ARIB-STD-T63/Rel8/25/A25367-830.pdf |
| ATIS | ATIS.3GPP.25.367V830-2010 | 8.3.0 | Approved | Jul 10 | https://www.atis.org/docstore/default.aspx |
| CCSA | CCSA-TSD-DS-25.367 | 8.3.0 | Published | Mar 10 | http://www.ccsa.org.cn/english/tc/files.php?docpath=/ITU-R/M.1457/M.1457-12/DS |
| ETSI | ETSI TS 125 367 | 8.3.0 | Published | Feb 10 | http://www.etsi.org/deliver/etsi_ts/125300_125399/125367/08.03.00_60/ |
| TTA | TTAT.3G-25.367(R8-8.1.0) | 8.1.0 | Approved | Jul 09 | http://www.tta.or.kr/data/ttasDown.jsp?where=14688&pk_num=TTAT.3G-25.367(R8-8.1.0) |
| Release 9 | | | | | |
| ARIB | ARIB STD-T63-25.367 | 9.5.0 | Approved | Jul 13 | http://www.arib.or.jp/english/html/overview/doc/STD-T63v10_00/2_T63/ARIB-STD-T63/Rel9/25/A25367-950.pdf |
| ATIS | ATIS.3GPP.25.367V950-2012 | 9.5.0 | Approved | Jul 12 | https://www.atis.org/docstore/default.aspx |
| CCSA | CCSA-TSD-DS-25.367 | 9.5.0 | Published | Jun 12 | http://www.ccsa.org.cn/english/tc/files.php?docpath=/ITU-R/M.1457/M.1457-12/DS |
| ETSI | ETSI TS 125 367 | 9.5.0 | Published | Jan 11 | http://www.etsi.org/deliver/etsi_ts/125300_125399/125367/09.05.00_60/ |
| TTA | TTAT.3G-25.367(R9-9.3.0) | 9.3.0 | Approved | Jul 10 | http://www.tta.or.kr/data/ttasDown.jsp?where=14688&pk_num=TTAT.3G-25.367(R9-9.3.0) |

Release 10

| | | | | | |
|------|----------------------------|--------|-----------|--------|---|
| ARIB | ARIB STD-T63-25.367 | 10.0.0 | Approved | Jul 13 | http://www.arib.or.jp/english/html/overview/doc/STD-T63v10_00/2_T63/ARIB-STD-T63/Rel10/25/A25367-a00.pdf |
| ATIS | ATIS.3GPP.25.367V1000-2012 | 10.0.0 | Approved | Jul 12 | https://www.atis.org/docstore/default.aspx |
| CCSA | CCSA-TSD-DS-25.367 | 10.0.0 | Published | Jun 12 | http://www.ccsa.org.cn/english/tc/files.php?docpath=/ITU-R/M.1457/M.1457-12/DS |
| ETSI | ETSI TS 125 367 | 10.0.0 | Published | Mar 11 | http://www.etsi.org/deliver/etsi_ts/125300_125399/125367/10.00.00_60/ |
| TTA | TTAT.3G-25.367(R10-10.0.0) | 10.0.0 | Approved | Aug 12 | http://www.tta.or.kr/data/ttasDown.jsp?where=14688&pk_num=TTAT.3G-25.367(R10-10.0.0) |

Release 11

| | | | | | |
|------|----------------------------|--------|-----------|--------|---|
| ARIB | ARIB STD-T63-25.367 | 11.1.0 | Approved | Jul 13 | http://www.arib.or.jp/english/html/overview/doc/STD-T63v10_00/2_T63/ARIB-STD-T63/Rel11/25/A25367-b10.pdf |
| ATIS | ATIS.3GPP.25.367V1110-2014 | 11.1.0 | Approved | May 14 | https://www.atis.org/docstore/default.aspx |
| CCSA | CCSA-TSD-DS-25.367 | 11.1.0 | Published | Jun 14 | http://www.ccsa.org.cn/english/tc/files.php?docpath=/ITU-R/M.1457/M.1457-12/DS |
| ETSI | ETSI TS 125 367 | 11.1.0 | Published | Apr 13 | http://www.etsi.org/deliver/etsi_ts/125300_125399/125367/11.01.00_60/ |
| TTA | TTAT.3G-25.367(R11-11.0.0) | 11.0.0 | published | Aug 14 | http://www.tta.or.kr/data/ttasDown.jsp?where=14688&pk_num=TTAT.3G-22.066(R11-11.0.0) |

5.1.2.3 25.400 series**5.1.2.3.1 TS 25.401****UTRAN overall description**

This specification describes the overall architecture of the UTRAN, including internal interfaces and assumptions on the radio and Iu interfaces.

| SDO (2) | Document No. | Version | Status | Issued date | Location (1) |
|-------------------|----------------------------|---------|-----------|-------------|---|
| Release 99 | | | | | |
| ARIB | ARIB STD-T63-25.401 | 3.10.0 | Approved | Jul 13 | http://www.arib.or.jp/english/html/overview/doc/STD-T63v10_00/2_T63/ARIB-STD-T63/R99/25/A25401-3a0.pdf |
| ATIS | T1.3GPP.25.401V3100-2003 | 3.10.0 | Approved | Mar 03 | https://www.atis.org/docstore/default.aspx |
| CCSA | CCSA-TSD-DS-25.401 | 3.10.0 | Published | Jul 02 | http://www.ccsa.org.cn/english/tc/files.php?docpath=/ITU-R/M.1457/M.1457-12/DS |
| ETSI | ETSI TS 125 401 | 3.10.0 | Published | Jul 02 | http://www.etsi.org/deliver/etsi_ts/125400_125499/125401/03.10.00_60/ |
| TTA | TTAT.3G-25.401(R99-3.10.0) | 3.10.0 | Approved | Mar 03 | http://www.tta.or.kr/data/ttasDown.jsp?where=14688&pk_num=TTAT.3G-25.401(R99-3.10.0) |
| Release 4 | | | | | |
| ARIB | ARIB STD-T63-25.401 | 4.6.0 | Approved | Jul 13 | http://www.arib.or.jp/english/html/overview/doc/STD-T63v10_00/2_T63/ARIB-STD-T63/Rel4/25/A25401-460.pdf |
| ATIS | T1.3GPP.25.401V460-2003 | 4.6.0 | Approved | Mar 03 | https://www.atis.org/docstore/default.aspx |
| CCSA | CCSA-TSD-DS-25.401 | 4.6.0 | Published | Jan 03 | http://www.ccsa.org.cn/english/tc/files.php?docpath=/ITU-R/M.1457/M.1457-12/DS |
| ETSI | ETSI TS 125 401 | 4.6.0 | Published | Jan 03 | http://www.etsi.org/deliver/etsi_ts/125400_125499/125401/04.06.00_60/ |
| TTA | TTAT.3G-25.401(R4-4.6.0) | 4.6.0 | Approved | Mar 03 | http://www.tta.or.kr/data/ttasDown.jsp?where=14688&pk_num=TTAT.3G-25.401(R4-4.6.0) |
| Release 5 | | | | | |
| ARIB | ARIB STD-T63-25.401 | 5.10.0 | Approved | Jul 13 | http://www.arib.or.jp/english/html/overview/doc/STD-T63v10_00/2_T63/ARIB-STD-T63/Rel5/25/A25401-5a0.pdf |
| ATIS | ATIS.3GPP.25.401V5100-2006 | 5.10.0 | Approved | Apr 06 | https://www.atis.org/docstore/default.aspx |
| CCSA | CCSA-TSD-DS-25.401 | 5.10.0 | Published | Jul 05 | http://www.ccsa.org.cn/english/tc/files.php?docpath=/ITU-R/M.1457/M.1457-12/DS |
| ETSI | ETSI TS 125 401 | 5.10.0 | Published | Jul 05 | http://www.etsi.org/deliver/etsi_ts/125400_125499/125401/05.10.00_60/ |
| TTA | TTAT.3G-25.401(R5-5.10.0) | 5.10.0 | Approved | Apr 06 | http://www.tta.or.kr/data/ttasDown.jsp?where=14688&pk_num=TTAT.3G-25.401(R5-5.10.0) |
| Release 6 | | | | | |
| ARIB | ARIB STD-T63-25.401 | 6.9.0 | Approved | Jul 13 | http://www.arib.or.jp/english/html/overview/doc/STD-T63v10_00/2_T63/ARIB-STD-T63/Rel6/25/A25401-690.pdf |
| ATIS | ATIS.3GPP.25.401V690-2007 | 6.9.0 | Approved | Oct 07 | https://www.atis.org/docstore/default.aspx |
| CCSA | CCSA-TSD-DS-25.401 | 6.9.0 | Published | Dec 06 | http://www.ccsa.org.cn/english/tc/files.php?docpath=/ITU-R/M.1457/M.1457-12/DS |

| | | | | | |
|-------------------|----------------------------|--------|-----------|--------|---|
| ETSI | ETSI TS 125 401 | 6.9.0 | Published | Dec 06 | http://www.etsi.org/deliver/etsi_ts/125400_125499/125401/06.09.00_60/ |
| TTA | TTAT.3G-25.401(R6-6.9.0) | 6.9.0 | Approved | Dec 07 | http://www.tta.or.kr/data/ttasDown.jsp?where=14688&pk_num=TTAT.3G-25.401(R6-6.9.0) |
| Release 7 | | | | | |
| ARIB | ARIB STD-T63-25.401 | 7.6.0 | Approved | Jul 13 | http://www.arib.or.jp/english/html/overview/doc/STD-T63v10_00/2_T63/ARIB-STD-T63/Rel7/25/A25401-760.pdf |
| ATIS | ATIS.3GPP.25.401V760-2009 | 7.6.0 | Approved | Jul 09 | https://www.atis.org/docstore/default.aspx |
| CCSA | CCSA-TSD-DS-25.401 | 7.6.0 | Published | Jul 08 | http://www.ccsa.org.cn/english/tc/files.php?docpath=/ITU-R/M.1457/M.1457-12/DS |
| ETSI | ETSI TS 125 401 | 7.6.0 | Published | Jul 08 | http://www.etsi.org/deliver/etsi_ts/125400_125499/125401/07.06.00_60/ |
| TTA | TTAT.3G-25.401(R7-7.6.0) | 7.6.0 | Approved | Oct 08 | http://www.tta.or.kr/data/ttasDown.jsp?where=14688&pk_num=TTAT.3G-25.401(R7-7.6.0) |
| Release 8 | | | | | |
| ARIB | ARIB STD-T63-25.401 | 8.2.0 | Approved | Jul 13 | http://www.arib.or.jp/english/html/overview/doc/STD-T63v10_00/2_T63/ARIB-STD-T63/Rel8/25/A25401-820.pdf |
| ATIS | ATIS.3GPP.25.401V820-2009 | 8.2.0 | Approved | Jul 09 | https://www.atis.org/docstore/default.aspx |
| CCSA | CCSA-TSD-DS-25.401 | 8.2.0 | Published | Jan 09 | http://www.ccsa.org.cn/english/tc/files.php?docpath=/ITU-R/M.1457/M.1457-12/DS |
| ETSI | ETSI TS 125 401 | 8.2.0 | Published | Jan 09 | http://www.etsi.org/deliver/etsi_ts/125400_125499/125401/08.02.00_60/ |
| TTA | TTAT.3G-25.401(R8-8.2.0) | 8.2.0 | Approved | Jul 09 | http://www.tta.or.kr/data/ttasDown.jsp?where=14688&pk_num=TTAT.3G-25.401(R8-8.2.0) |
| Release 9 | | | | | |
| ARIB | ARIB STD-T63-25.401 | 9.1.1 | Approved | Jul 13 | http://www.arib.or.jp/english/html/overview/doc/STD-T63v10_00/2_T63/ARIB-STD-T63/Rel9/25/A25401-911.pdf |
| ATIS | ATIS.3GPP.25.401V911-2012 | 9.1.1 | Approved | Jul 12 | https://www.atis.org/docstore/default.aspx |
| CCSA | CCSA-TSD-DS-25.401 | 9.1.1 | Published | Jun 12 | http://www.ccsa.org.cn/english/tc/files.php?docpath=/ITU-R/M.1457/M.1457-12/DS |
| ETSI | ETSI TS 125 401 | 9.1.1 | Published | Apr 11 | http://www.etsi.org/deliver/etsi_ts/125400_125499/125401/09.01.01_60/ |
| TTA | TTAT.3G-25.401(R9-9.1.0) | 9.1.0 | Approved | Jul 10 | http://www.tta.or.kr/data/ttasDown.jsp?where=14688&pk_num=TTAT.3G-25.401(R9-9.1.0) |
| Release 10 | | | | | |
| ARIB | ARIB STD-T63-25.401 | 10.2.0 | Approved | Jul 13 | http://www.arib.or.jp/english/html/overview/doc/STD-T63v10_00/2_T63/ARIB-STD-T63/Rel10/25/A25401-a20.pdf |
| ATIS | ATIS.3GPP.25.401V1020-2012 | 10.2.0 | Approved | Jul 12 | https://www.atis.org/docstore/default.aspx |
| CCSA | CCSA-TSD-DS-25.401 | 10.2.0 | Published | Jun 12 | http://www.ccsa.org.cn/english/tc/files.php?docpath=/ITU-R/M.1457/M.1457-12/DS |
| ETSI | ETSI TS 125 401 | 10.2.0 | Published | Jul 11 | http://www.etsi.org/deliver/etsi_ts/125400_125499/125401/10.02.00_60/ |
| TTA | TTAT.3G-25.401(R10-10.2.0) | 10.2.0 | Approved | Aug 12 | http://www.tta.or.kr/data/ttasDown.jsp?where=14688&pk_num=TTAT.3G-25.401(R10-10.2.0) |
| Release 11 | | | | | |
| ARIB | ARIB STD-T63-25.401 | 11.1.0 | Approved | Jul 13 | http://www.arib.or.jp/english/html/overview/doc/STD-T63v10_00/2_T63/ARIB-STD-T63/Rel11/25/A25401-b10.pdf |
| ATIS | ATIS.3GPP.25.401V1110-2014 | 11.1.0 | Approved | May 14 | https://www.atis.org/docstore/default.aspx |
| CCSA | CCSA-TSD-DS-25.401 | 11.1.0 | Published | Jun 14 | http://www.ccsa.org.cn/english/tc/files.php?docpath=/ITU-R/M.1457/M.1457-12/DS |
| ETSI | ETSI TS 125 401 | 11.1.0 | Published | Jan 13 | http://www.etsi.org/deliver/etsi_ts/125400_125499/125401/11.01.00_60/ |
| TTA | TTAT.3G-25.401(R11-11.1.0) | 11.1.0 | published | Aug 14 | http://www.tta.or.kr/data/ttasDown.jsp?where=14688&pk_num=TTAT.3G-22.067(R11-11.0.0) |

5.1.2.3.2 TS 25.402

Synchronisation in UTRAN Stage 2

This document constitutes the Stage 2 specification of different synchronisation mechanisms in UTRAN and on Uu.

| SDO (2) | Document No. | Version | Status | Issued date | Location (1) |
|-------------------|--------------------------|---------|-----------|-------------|---|
| Release 99 | | | | | |
| ARIB | ARIB STD-T63-25.402 | 3.10.0 | Approved | Jul 13 | http://www.arib.or.jp/english/html/overview/doc/STD-T63v10_00/2_T63/ARIB-STD-T63/R99/25/A25402-3a0.pdf |
| ATIS | T1.3GPP.25.402V3100-2003 | 3.10.0 | Approved | Mar 03 | https://www.atis.org/docstore/default.aspx |
| CCSA | CCSA-TSD-DS-25.402 | 3.10.0 | Published | Jul 02 | http://www.ccsa.org.cn/english/tc/files.php?docpath=/ITU-R/M.1457/M.1457-12/DS |

| | | | | | |
|-------------------|----------------------------|--------|-----------|--------|---|
| ETSI | ETSI TS 125 402 | 3.10.0 | Published | Jul 02 | http://www.etsi.org/deliver/etsi_ts/125400_125499/125402/03.10.00_60/ |
| TTA | TTAT.3G-25.402(R99-3.10.0) | 3.10.0 | Approved | Mar 03 | http://www.tta.or.kr/data/ttasDown.jsp?where=14688&pk_num=TTAT.3G-25.402(R99-3.10.0) |
| Release 4 | | | | | |
| ARIB | ARIB STD-T63-25.402 | 4.6.0 | Approved | Jul 13 | http://www.arib.or.jp/english/html/overview/doc/STD-T63v10_00/2_T63/ARIB-STD-T63/Rel4/25/A25402-460.pdf |
| ATIS | T1.3GPP.25.402V460-2003 | 4.6.0 | Approved | Mar 03 | https://www.atis.org/docstore/default.aspx |
| CCSA | CCSA-TSD-DS-25.402 | 4.6.0 | Published | Jan 03 | http://www.ccsa.org.cn/english/tc/files.php?docpath=/ITU-R/M.1457/M.1457-12/DS |
| ETSI | ETSI TS 125 402 | 4.6.0 | Published | Jan 03 | http://www.etsi.org/deliver/etsi_ts/125400_125499/125402/04.06.00_60/ |
| TTA | TTAT.3G-25.402(R4-4.6.0) | 4.6.0 | Approved | Mar 03 | http://www.tta.or.kr/data/ttasDown.jsp?where=14688&pk_num=TTAT.3G-25.402(R4-4.6.0) |
| Release 5 | | | | | |
| ARIB | ARIB STD-T63-25.402 | 5.4.0 | Approved | Jul 13 | http://www.arib.or.jp/english/html/overview/doc/STD-T63v10_00/2_T63/ARIB-STD-T63/Rel5/25/A25402-540.pdf |
| ATIS | ATIS.3GPP.25.402V540-2006 | 5.4.0 | Approved | Apr 06 | https://www.atis.org/docstore/default.aspx |
| CCSA | CCSA-TSD-DS-25.402 | 5.4.0 | Published | Jul 05 | http://www.ccsa.org.cn/english/tc/files.php?docpath=/ITU-R/M.1457/M.1457-12/DS |
| ETSI | ETSI TS 125 402 | 5.4.0 | Published | Jul 05 | http://www.etsi.org/deliver/etsi_ts/125400_125499/125402/05.04.00_60/ |
| TTA | TTAT.3G-25.402(R5-5.4.0) | 5.4.0 | Approved | Apr 06 | http://www.tta.or.kr/data/ttasDown.jsp?where=14688&pk_num=TTAT.3G-25.402(R5-5.4.0) |
| Release 6 | | | | | |
| ARIB | ARIB STD-T63-25.402 | 6.6.0 | Approved | Jul 13 | http://www.arib.or.jp/english/html/overview/doc/STD-T63v10_00/2_T63/ARIB-STD-T63/Rel6/25/A25402-660.pdf |
| ATIS | ATIS.3GPP.25.402V660-2009 | 6.6.0 | Approved | Jul 09 | https://www.atis.org/docstore/default.aspx |
| CCSA | CCSA-TSD-DS-25.402 | 6.6.0 | Published | Oct 08 | http://www.ccsa.org.cn/english/tc/files.php?docpath=/ITU-R/M.1457/M.1457-12/DS |
| ETSI | ETSI TS 125 402 | 6.6.0 | Published | Oct 08 | http://www.etsi.org/deliver/etsi_ts/125400_125499/125402/06.06.00_60/ |
| TTA | TTAT.3G-25.402(R6-6.6.0) | 6.6.0 | Approved | Jul 09 | http://www.tta.or.kr/data/ttasDown.jsp?where=14688&pk_num=TTAT.3G-25.402(R6-6.6.0) |
| Release 7 | | | | | |
| ARIB | ARIB STD-T63-25.402 | 7.6.0 | Approved | Jul 13 | http://www.arib.or.jp/english/html/overview/doc/STD-T63v10_00/2_T63/ARIB-STD-T63/Rel7/25/A25402-760.pdf |
| ATIS | ATIS.3GPP.25.402V760-2009 | 7.6.0 | Approved | Jul 09 | https://www.atis.org/docstore/default.aspx |
| CCSA | CCSA-TSD-DS-25.402 | 7.6.0 | Published | Oct 08 | http://www.ccsa.org.cn/english/tc/files.php?docpath=/ITU-R/M.1457/M.1457-12/DS |
| ETSI | ETSI TS 125 402 | 7.6.0 | Published | Oct 08 | http://www.etsi.org/deliver/etsi_ts/125400_125499/125402/07.06.00_60/ |
| TTA | TTAT.3G-25.402(R7-7.6.0) | 7.6.0 | Approved | Jul 09 | http://www.tta.or.kr/data/ttasDown.jsp?where=14688&pk_num=TTAT.3G-25.402(R7-7.6.0) |
| Release 8 | | | | | |
| ARIB | ARIB STD-T63-25.402 | 8.1.0 | Approved | Jul 13 | http://www.arib.or.jp/english/html/overview/doc/STD-T63v10_00/2_T63/ARIB-STD-T63/Rel8/25/A25402-810.pdf |
| ATIS | ATIS.3GPP.25.402V810-2010 | 8.1.0 | Approved | Jul 10 | https://www.atis.org/docstore/default.aspx |
| CCSA | CCSA-TSD-DS-25.402 | 8.1.0 | Published | Mar 10 | http://www.ccsa.org.cn/english/tc/files.php?docpath=/ITU-R/M.1457/M.1457-12/DS |
| ETSI | ETSI TS 125 402 | 8.1.0 | Published | Jul 09 | http://www.etsi.org/deliver/etsi_ts/125400_125499/125402/08.01.00_60/ |
| TTA | TTAT.3G-25.402(R8-8.0.0) | 8.0.0 | Approved | Jul 09 | http://www.tta.or.kr/data/ttasDown.jsp?where=14688&pk_num=TTAT.3G-25.402(R8-8.0.0) |
| Release 9 | | | | | |
| ARIB | ARIB STD-T63-25.402 | 9.0.1 | Approved | Jul 13 | http://www.arib.or.jp/english/html/overview/doc/STD-T63v10_00/2_T63/ARIB-STD-T63/Rel9/25/A25402-901.pdf |
| ATIS | ATIS.3GPP.25.402V901-2012 | 9.0.1 | Approved | Jul 12 | https://www.atis.org/docstore/default.aspx |
| CCSA | CCSA-TSD-DS-25.402 | 9.0.1 | Published | Jun 12 | http://www.ccsa.org.cn/english/tc/files.php?docpath=/ITU-R/M.1457/M.1457-12/DS |
| ETSI | ETSI TS 125 402 | 9.0.1 | Published | Apr 11 | http://www.etsi.org/deliver/etsi_ts/125400_125499/125402/09.00.01_60/ |
| TTA | TTAT.3G-25.402(R9-9.0.0) | 9.0.0 | Approved | Jul 10 | http://www.tta.or.kr/data/ttasDown.jsp?where=14688&pk_num=TTAT.3G-25.402(R9-9.0.0) |
| Release 10 | | | | | |
| ARIB | ARIB STD-T63-25.402 | 10.1.0 | Approved | Jul 13 | http://www.arib.or.jp/english/html/overview/doc/STD-T63v10_00/2_T63/ARIB-STD-T63/Rel10/25/A25402-a10.pdf |
| ATIS | ATIS.3GPP.25.402V1010-2012 | 10.1.0 | Approved | Jul 12 | https://www.atis.org/docstore/default.aspx |
| CCSA | CCSA-TSD-DS-25.402 | 10.1.0 | Published | Jun 12 | http://www.ccsa.org.cn/english/tc/files.php?docpath=/ITU-R/M.1457/M.1457-12/DS |
| ETSI | ETSI TS 125 402 | 10.1.0 | Published | Jul 11 | http://www.etsi.org/deliver/etsi_ts/125400_125499/125402/10.01.00_60/ |
| TTA | TTAT.3G-25.402(R10-10.1.0) | 10.1.0 | Approved | Aug 12 | http://www.tta.or.kr/data/ttasDown.jsp?where=14688&pk_num=TTAT.3G-25.402(R10-10.1.0) |

Release 11

| | | | | | |
|------|----------------------------|--------|-----------|--------|---|
| ARIB | ARIB STD-T63-25.402 | 11.0.0 | Approved | Jul 13 | http://www.arib.or.jp/english/html/overview/doc/STD-T63v10_00/2_T63/ARIB-STD-T63/Rel11/25/A25402-b00.pdf |
| ATIS | ATIS.3GPP.25.402V1100-2014 | 11.0.0 | Approved | May 14 | https://www.atis.org/docstore/default.aspx |
| CCSA | CCSA-TSD-DS-25.402 | 11.0.0 | Published | Jun 14 | http://www.ccsa.org.cn/english/tc/files.php?docpath=/ITU-R/M.1457/M.1457-12/DS |
| ETSI | ETSI TS 125 402 | 11.0.0 | Published | Oct 12 | http://www.etsi.org/deliver/etsi_ts/125400_125499/125402/11.00.00_60/ |
| TTA | TTAT.3G-25.402(R11-11.0.0) | 11.0.0 | published | Aug 14 | http://www.tta.or.kr/data/ttasDown.jsp?where=14688&pk_num=TTAT.3G-22.071(R11-11.0.0) |

5.1.2.3.3 TS 25.410**UTRAN Iu interface: General aspects and principles**

This specification describes an introduction to the 25.41x series of technical specifications that define the Iu interface for the interconnection of RNC component of the UTRAN to the CN.

| SDO (2) | Document No. | Version | Status | Issued date | Location (1) |
|-------------------|---------------------------|---------|-----------|-------------|---|
| Release 99 | | | | | |
| ATIS | T1.3GPP.25.410V380-2003 | 3.8.0 | Approved | Mar 03 | https://www.atis.org/docstore/default.aspx |
| CCSA | CCSA-TSD-DS-25.410 | 3.8.0 | Published | Oct 02 | http://www.ccsa.org.cn/english/tc/files.php?docpath=/ITU-R/M.1457/M.1457-12/DS |
| ETSI | ETSI TS 125 410 | 3.8.0 | Published | Oct 02 | http://www.etsi.org/deliver/etsi_ts/125400_125499/125410/03.08.00_60/ |
| TTA | TTAT.3G-25.410(R99-3.8.0) | 3.8.0 | Approved | Mar 03 | http://www.tta.or.kr/data/ttasDown.jsp?where=14688&pk_num=TTAT.3G-25.410(R99-3.8.0) |
| TTC | TS-3GA-25.410(R99)v3.8.0 | 3.8.0 | Approved | Nov 02 | http://www.ttc.or.jp/j/document_list/free/TS/TS-3GA-25.410(R99)v3.8.0.pdf |
| Release 4 | | | | | |
| ATIS | T1.3GPP.25.410V450-2003 | 4.5.0 | Approved | Mar 03 | https://www.atis.org/docstore/default.aspx |
| CCSA | CCSA-TSD-DS-25.410 | 4.5.0 | Published | Oct 02 | http://www.ccsa.org.cn/english/tc/files.php?docpath=/ITU-R/M.1457/M.1457-12/DS |
| ETSI | ETSI TS 125 410 | 4.5.0 | Published | Oct 02 | http://www.etsi.org/deliver/etsi_ts/125400_125499/125410/04.05.00_60/ |
| TTA | TTAT.3G-25.410(R4-4.5.0) | 4.5.0 | Approved | Mar 03 | http://www.tta.or.kr/data/ttasDown.jsp?where=14688&pk_num=TTAT.3G-25.410(R4-4.5.0) |
| TTC | TS-3GA-25.410(Rel4)v4.5.0 | 4.5.0 | Approved | Nov 02 | http://www.ttc.or.jp/j/document_list/free/TS/TS-3GA-25.410(Rel4)v4.5.0.pdf |
| Release 5 | | | | | |
| ATIS | ATIS.3GPP.25.410V540-2005 | 5.4.0 | Approved | Apr 05 | https://www.atis.org/docstore/default.aspx |
| CCSA | CCSA-TSD-DS-25.410 | 5.4.0 | Published | Jul 04 | http://www.ccsa.org.cn/english/tc/files.php?docpath=/ITU-R/M.1457/M.1457-12/DS |
| ETSI | ETSI TS 125 410 | 5.4.0 | Published | Jul 04 | http://www.etsi.org/deliver/etsi_ts/125400_125499/125410/05.04.00_60/ |
| TTA | TTAT.3G-25.410(R5-5.4.0) | 5.4.0 | Approved | May 05 | http://www.tta.or.kr/data/ttasDown.jsp?where=14688&pk_num=TTAT.3G-25.410(R5-5.4.0) |
| TTC | TS-3GA-25.410(Rel5)v5.4.0 | 5.4.0 | Approved | Aug 04 | http://www.ttc.or.jp/j/document_list/free/TS/TS-3GA-25.410(Rel5)v5.4.0.pdf |
| Release 6 | | | | | |
| ATIS | ATIS.3GPP.25.410V650-2007 | 6.5.0 | Approved | Oct 07 | https://www.atis.org/docstore/default.aspx |
| CCSA | CCSA-TSD-DS-25.410 | 6.5.0 | Published | May 06 | http://www.ccsa.org.cn/english/tc/files.php?docpath=/ITU-R/M.1457/M.1457-12/DS |
| ETSI | ETSI TS 125 410 | 6.5.0 | Published | May 06 | http://www.etsi.org/deliver/etsi_ts/125400_125499/125410/06.05.00_60/ |
| TTA | TTAT.3G-25.410(R6-6.5.0) | 6.5.0 | Approved | Dec 07 | http://www.tta.or.kr/data/ttasDown.jsp?where=14688&pk_num=TTAT.3G-25.410(R6-6.5.0) |
| TTC | TS-3GA-25.410(Rel6)v6.5.0 | 6.5.0 | Approved | Mar 07 | http://www.ttc.or.jp/j/document_list/free/TS/TS-3GA-25.410(Rel6)v6.5.0.pdf |
| Release 7 | | | | | |
| ATIS | ATIS.3GPP.25.410V700-2007 | 7.0.0 | Approved | Oct 07 | https://www.atis.org/docstore/default.aspx |
| CCSA | CCSA-TSD-DS-25.410 | 7.0.0 | Published | May 06 | http://www.ccsa.org.cn/english/tc/files.php?docpath=/ITU-R/M.1457/M.1457-12/DS |

| | | | | | |
|-------------------|-----------------------------|--------|-----------|--------|---|
| ETSI | ETSI TS 125 410 | 7.0.0 | Published | May 06 | http://www.etsi.org/deliver/etsi_ts/125400_125499/125410/07.00.00_60/ |
| TTA | TTAT.3G-25.410(R7-7.0.0) | 7.0.0 | Approved | Dec 07 | http://www.tta.or.kr/data/ttasDown.jsp?where=14688&pk_num=TTAT.3G-25.410(R7-7.0.0) |
| TTC | TS-3GA-25.410(Rel7)v7.0.0 | 7.0.0 | Approved | Mar 08 | http://www.ttc.or.jp/j/document_list/free/TS/TS-3GA-25.410(Rel7)v7.0.0.pdf |
| Release 8 | | | | | |
| ATIS | ATIS.3GPP.25.410V810-2009 | 8.1.0 | Approved | Jul 09 | https://www.atis.org/docstore/default.aspx |
| CCSA | CCSA-TSD-DS-25.410 | 8.1.0 | Published | Apr 09 | http://www.ccsa.org.cn/english/tc/files.php?docpath=/ITU-R/M.1457/M.1457-12/DS |
| ETSI | ETSI TS 125 410 | 8.1.0 | Published | Apr 09 | http://www.etsi.org/deliver/etsi_ts/125400_125499/125410/08.01.00_60/ |
| TTA | TTAT.3G-25.410(R8-8.1.0) | 8.1.0 | Approved | Jul 09 | http://www.tta.or.kr/data/ttasDown.jsp?where=14688&pk_num=TTAT.3G-25.410(R8-8.1.0) |
| TTC | TS-3GA-25.410(Rel8)v8.1.0 | 8.1.0 | Approved | Jul 09 | http://www.ttc.or.jp/j/document_list/free/3gpps2009/TS/TS-3GA-25.410(Rel8)v8.1.0.pdf |
| Release 9 | | | | | |
| ATIS | ATIS.3GPP.25.410V901-2012 | 9.0.1 | Approved | Jul 12 | https://www.atis.org/docstore/default.aspx |
| CCSA | CCSA-TSD-DS-25.410 | 9.0.1 | Published | Jun 12 | http://www.ccsa.org.cn/english/tc/files.php?docpath=/ITU-R/M.1457/M.1457-12/DS |
| ETSI | ETSI TS 125 410 | 9.0.1 | Published | Apr 11 | http://www.etsi.org/deliver/etsi_ts/125400_125499/125410/09.00.01_60/ |
| TTA | TTAT.3G-25.410(R9-9.0.0) | 9.0.0 | Approved | Jul 10 | http://www.tta.or.kr/data/ttasDown.jsp?where=14688&pk_num=TTAT.3G-25.410(R9-9.0.0) |
| TTC | TS-3GA-25.410(Rel9)v9.0.0 | 9.0.0 | Approved | Jul 10 | http://www.ttc.or.jp/j/document_list/free/3gpps2010/TS/TS-3GA-25.410(Rel9)v9.0.0.pdf |
| Release 10 | | | | | |
| ATIS | ATIS.3GPP.25.410V1020-2012 | 10.2.0 | Approved | Jul 12 | https://www.atis.org/docstore/default.aspx |
| CCSA | CCSA-TSD-DS-25.410 | 10.2.0 | Published | Jun 12 | http://www.ccsa.org.cn/english/tc/files.php?docpath=/ITU-R/M.1457/M.1457-12/DS |
| ETSI | ETSI TS 125 410 | 10.2.0 | Published | Jul 11 | http://www.etsi.org/deliver/etsi_ts/125400_125499/125410/10.02.00_60/ |
| TTA | TTAT.3G-25.410(R10-10.2.0) | 10.2.0 | Approved | Aug 12 | http://www.tta.or.kr/data/ttasDown.jsp?where=14688&pk_num=TTAT.3G-25.410(R10-10.2.0) |
| TTC | TS-3GA-25.410(Rel10)v10.2.0 | 10.2.0 | Approved | Aug 11 | http://www.ttc.or.jp/j/document_list/free/3gpps2011/TS/TS-3GA-25.410(Rel10)v10.2.0.pdf |
| Release 11 | | | | | |
| ATIS | ATIS.3GPP.25.410V1100-2014 | 11.0.0 | Approved | May 14 | https://www.atis.org/docstore/default.aspx |
| CCSA | CCSA-TSD-DS-25.410 | 11.0.0 | Published | Jun 14 | http://www.ccsa.org.cn/english/tc/files.php?docpath=/ITU-R/M.1457/M.1457-12/DS |
| ETSI | ETSI TS 125 410 | 11.0.0 | Published | Oct 12 | http://www.etsi.org/deliver/etsi_ts/125400_125499/125410/11.00.00_60/ |
| TTA | TTAT.3G-25.410(R11-11.0.0) | 11.0.0 | published | Aug 14 | http://www.tta.or.kr/data/ttasDown.jsp?where=14688&pk_num=TTAT.3G-22.072(R11-11.0.0) |
| TTC | TS-3GA-25.410(Rel11)v11.0.0 | 11.0.0 | Approved | Jun 13 | http://www.ttc.or.jp/j/document_list/free/3gpps2013/TS/TS-3GA-25.410(Rel11)v11.0.0.pdf |

5.1.2.3.4 TS 25.411

UTRAN Iu interface layer 1

This specification describes the standards allowed to implement Layer 1 on the Iu interface. The specification of transmission delay requirements and O&M requirements are not in the scope of this specification.

| SDO (2) | Document No. | Version | Status | Issued date | Location (1) |
|-------------------|---------------------------|---------|-----------|-------------|---|
| Release 99 | | | | | |
| ATIS | T1.3GPP.25.411V350-2002 | 3.5.0 | Approved | May 02 | https://www.atis.org/docstore/default.aspx |
| CCSA | CCSA-TSD-DS-25.411 | 3.5.0 | Published | Aug 01 | http://www.ccsa.org.cn/english/tc/files.php?docpath=/ITU-R/M.1457/M.1457-12/DS |
| ETSI | ETSI TS 125 411 | 3.5.0 | Published | Aug 01 | http://www.etsi.org/deliver/etsi_ts/125400_125499/125411/03.05.00_60/ |
| TTA | TTAE.3G-25.411(R99-3.5.0) | 3.5.0 | Approved | May 02 | http://www.tta.or.kr/data/ttasDown.jsp?where=14688&pk_num=TTAE.3G-25.411(R99-3.5.0) |
| TTC | TS-3GA-25.411(R99)v3.5.0 | 3.5.0 | Approved | Aug 01 | http://www.ttc.or.jp/j/document_list/free/TS/TS-3GA-25.411(R99)v3.5.0.pdf |
| Release 4 | | | | | |
| ATIS | T1.3GPP.25.411V410-2002 | 4.1.0 | Approved | May 02 | https://www.atis.org/docstore/default.aspx |
| CCSA | CCSA-TSD-DS-25.411 | 4.1.0 | Published | Aug 01 | http://www.ccsa.org.cn/english/tc/files.php?docpath=/ITU-R/M.1457/M.1457-12/DS |

| | | | | | |
|-------------------|-----------------------------|--------|-----------|--------|---|
| ETSI | ETSI TS 125 411 | 4.1.0 | Published | Aug 01 | http://www.etsi.org/deliver/etsi_ts/125400_125499/125411/04.01.00_60/ |
| TTA | TTAE.3G-25.411(R4-4.1.0) | 4.1.0 | Approved | May 02 | http://www.tta.or.kr/data/ttasDown.jsp?where=14688&pk_num=TTAE.3G-25.411(R4-4.1.0) |
| TTC | TS-3GA-25.411(Rel4)v4.1.0 | 4.1.0 | Approved | Aug 01 | http://www.ttc.or.jp/j/document_list/free/TS/TS-3GA-25.411(Rel4)v4.1.0.pdf |
| Release 5 | | | | | |
| ATIS | ATIS.3GPP.25.411V510-2005 | 5.1.0 | Approved | Apr 05 | https://www.atis.org/docstore/default.aspx |
| CCSA | CCSA-TSD-DS-25.411 | 5.1.0 | Published | Oct 04 | http://www.ccsa.org.cn/english/tc/files.php?docpath=/ITU-R/M.1457/M.1457-12/DS |
| ETSI | ETSI TS 125 411 | 5.1.0 | Published | Oct 04 | http://www.etsi.org/deliver/etsi_ts/125400_125499/125411/05.01.00_60/ |
| TTA | TTAT.3G-25.411(R5-5.1.0) | 5.1.0 | Approved | May 05 | http://www.tta.or.kr/data/ttasDown.jsp?where=14688&pk_num=TTAT.3G-25.411(R5-5.1.0) |
| TTC | TS-3GA-25.411(Rel5)v5.1.0 | 5.1.0 | Approved | Nov 04 | http://www.ttc.or.jp/j/document_list/free/TS/TS-3GA-25.411(Rel5)v5.1.0.pdf |
| Release 6 | | | | | |
| ATIS | ATIS.3GPP.25.411V610-2005 | 6.1.0 | Approved | Apr 05 | https://www.atis.org/docstore/default.aspx |
| CCSA | CCSA-TSD-DS-25.411 | 6.1.0 | Published | Oct 04 | http://www.ccsa.org.cn/english/tc/files.php?docpath=/ITU-R/M.1457/M.1457-12/DS |
| ETSI | ETSI TS 125 411 | 6.1.0 | Published | Oct 04 | http://www.etsi.org/deliver/etsi_ts/125400_125499/125411/06.01.00_60/ |
| TTA | TTAT.3G-25.411(R6-6.1.0) | 6.1.0 | Approved | May 05 | http://www.tta.or.kr/data/ttasDown.jsp?where=14688&pk_num=TTAT.3G-25.411(R6-6.1.0) |
| TTC | TS-3GA-25.411(Rel6)v6.1.0 | 6.1.0 | Approved | Nov 04 | http://www.ttc.or.jp/j/document_list/free/TS/TS-3GA-25.411(Rel6)v6.1.0.pdf |
| Release 7 | | | | | |
| ATIS | ATIS.3GPP.25.411V710-2007 | 7.1.0 | Approved | Oct 07 | https://www.atis.org/docstore/default.aspx |
| CCSA | CCSA-TSD-DS-25.411 | 7.1.0 | Published | Oct 07 | http://www.ccsa.org.cn/english/tc/files.php?docpath=/ITU-R/M.1457/M.1457-12/DS |
| ETSI | ETSI TS 125 411 | 7.1.0 | Published | Oct 07 | http://www.etsi.org/deliver/etsi_ts/125400_125499/125411/07.01.00_60/ |
| TTA | TTAT.3G-25.411(R7-7.1.0) | 7.1.0 | Approved | Dec 07 | http://www.tta.or.kr/data/ttasDown.jsp?where=14688&pk_num=TTAT.3G-25.411(R7-7.1.0) |
| TTC | TS-3GA-25.411(Rel7)v7.1.0 | 7.1.0 | Approved | Mar 08 | http://www.ttc.or.jp/j/document_list/free/TS/TS-3GA-25.411(Rel7)v7.1.0.pdf |
| Release 8 | | | | | |
| ATIS | ATIS.3GPP.25.411V800-2009 | 8.0.0 | Approved | Jul 09 | https://www.atis.org/docstore/default.aspx |
| CCSA | CCSA-TSD-DS-25.411 | 8.0.0 | Published | Jan 09 | http://www.ccsa.org.cn/english/tc/files.php?docpath=/ITU-R/M.1457/M.1457-12/DS |
| ETSI | ETSI TS 125 411 | 8.0.0 | Published | Jan 09 | http://www.etsi.org/deliver/etsi_ts/125400_125499/125411/08.00.00_60/ |
| TTA | TTAT.3G-25.411(R8-8.0.0) | 8.0.0 | Approved | Jul 09 | http://www.tta.or.kr/data/ttasDown.jsp?where=14688&pk_num=TTAT.3G-25.411(R8-8.0.0) |
| TTC | TS-3GA-25.411(Rel8)v8.0.0 | 8.0.0 | Approved | Feb 09 | http://www.ttc.or.jp/j/document_list/free/3gpps2009/TS/TS-3GA-25.411(Rel8)v8.0.0.pdf |
| Release 9 | | | | | |
| ATIS | ATIS.3GPP.25.411V901-2012 | 9.0.1 | Approved | Jul 12 | https://www.atis.org/docstore/default.aspx |
| CCSA | CCSA-TSD-DS-25.411 | 9.0.1 | Published | Jun 12 | http://www.ccsa.org.cn/english/tc/files.php?docpath=/ITU-R/M.1457/M.1457-12/DS |
| ETSI | ETSI TS 125 411 | 9.0.1 | Published | Apr 11 | http://www.etsi.org/deliver/etsi_ts/125400_125499/125411/09.00.01_60/ |
| TTA | TTAT.3G-25.411(R9-9.0.0) | 9.0.0 | Approved | Jul 10 | http://www.tta.or.kr/data/ttasDown.jsp?where=14688&pk_num=TTAT.3G-25.411(R9-9.0.0) |
| TTC | TS-3GA-25.411(Rel9)v9.0.0 | 9.0.0 | Approved | Jul 10 | http://www.ttc.or.jp/j/document_list/free/3gpps2010/TS/TS-3GA-25.411(Rel9)v9.0.0.pdf |
| Release 10 | | | | | |
| ATIS | ATIS.3GPP.25.411V1010-2012 | 10.1.0 | Approved | Jul 12 | https://www.atis.org/docstore/default.aspx |
| CCSA | CCSA-TSD-DS-25.411 | 10.1.0 | Published | Jun 12 | http://www.ccsa.org.cn/english/tc/files.php?docpath=/ITU-R/M.1457/M.1457-12/DS |
| ETSI | ETSI TS 125 411 | 10.1.0 | Published | Jul 11 | http://www.etsi.org/deliver/etsi_ts/125400_125499/125411/10.01.00_60/ |
| TTA | TTAT.3G-25.411(R10-10.1.0) | 10.1.0 | Approved | Aug 12 | http://www.tta.or.kr/data/ttasDown.jsp?where=14688&pk_num=TTAT.3G-25.411(R10-10.1.0) |
| TTC | TS-3GA-25.411(Rel10)v10.1.0 | 10.1.0 | Approved | Aug 11 | http://www.ttc.or.jp/j/document_list/free/3gpps2011/TS/TS-3GA-25.411(Rel10)v10.1.0.pdf |
| Release 11 | | | | | |
| ATIS | ATIS.3GPP.25.411V1100-2014 | 11.0.0 | Approved | May 14 | https://www.atis.org/docstore/default.aspx |
| CCSA | CCSA-TSD-DS-25.411 | 11.0.0 | Published | Jun 14 | http://www.ccsa.org.cn/english/tc/files.php?docpath=/ITU-R/M.1457/M.1457-12/DS |
| ETSI | ETSI TS 125 411 | 11.0.0 | Published | Oct 12 | http://www.etsi.org/deliver/etsi_ts/125400_125499/125411/11.00.00_60/ |
| TTA | TTAT.3G-25.411(R11-11.0.0) | 11.0.0 | published | Aug 14 | http://www.tta.or.kr/data/ttasDown.jsp?where=14688&pk_num=TTAT.3G-22.076(R11-11.0.0) |

TTC TS-3GA-25.411(Rel11)v11.0.0 11.0.0 Approved Jun 13 [http://www.ttc.or.jp/j/document_list/free/3gpps2013/TS/TS-3GA-25.411\(Rel11\)v11.0.0.pdf](http://www.ttc.or.jp/j/document_list/free/3gpps2013/TS/TS-3GA-25.411(Rel11)v11.0.0.pdf)

5.1.2.3.5 TS 25.412

UTRAN Iu interface signalling transport

This specification describes the standards for Signalling Transport to be used across Iu Interface.

| SDO (2) | Document No. | Version | Status | Issued date | Location (1) |
|-------------------|---------------------------|---------|-----------|-------------|---|
| Release 99 | | | | | |
| ATIS | T1.3GPP.25.412V360-2002 | 3.6.0 | Approved | May 02 | https://www.atis.org/docstore/default.aspx |
| CCSA | CCSA-TSD-DS-25.412 | 3.6.0 | Published | Feb 01 | http://www.ccsa.org.cn/english/tc/files.php?docpath=/ITU-R/M.1457/M.1457-12/DS |
| ETSI | ETSI TS 125 412 | 3.6.0 | Published | Feb 01 | http://www.etsi.org/deliver/etsi_ts/125400_125499/125412/03.06.00_60/ |
| TTA | TTAE.3G-25.412(R99-3.6.0) | 3.6.0 | Approved | May 02 | http://www.tta.or.kr/data/ttasDown.jsp?where=14688&pk_num=TTAE.3G-25.412(R99-3.6.0) |
| TTC | JP-3GA-25.412(R99) | 3.6.0 | Approved | May 01 | http://www.ttc.or.jp/j/document_list/pdf/j/STD/JP-3GA-25.412(R99)v3.pdf |
| Release 4 | | | | | |
| ATIS | T1.3GPP.25.412V410-2003 | 4.1.0 | Approved | Mar 03 | https://www.atis.org/docstore/default.aspx |
| CCSA | CCSA-TSD-DS-25.412 | 4.1.0 | Published | Oct 02 | http://www.ccsa.org.cn/english/tc/files.php?docpath=/ITU-R/M.1457/M.1457-12/DS |
| ETSI | ETSI TS 125 412 | 4.1.0 | Published | Oct 02 | http://www.etsi.org/deliver/etsi_ts/125400_125499/125412/04.01.00_60/ |
| TTA | TTAT.3G-25.412(R4-4.1.0) | 4.1.0 | Approved | Mar 03 | http://www.tta.or.kr/data/ttasDown.jsp?where=14688&pk_num=TTAT.3G-25.412(R4-4.1.0) |
| TTC | TS-3GA-25.412(Rel4)v4.1.0 | 4.1.0 | Approved | Nov 02 | http://www.ttc.or.jp/j/document_list/free/TS/TS-3GA-25.412(Rel4)v4.1.0.pdf |
| Release 5 | | | | | |
| ATIS | ATIS.3GPP.25.412V520-2005 | 5.2.0 | Approved | Apr 05 | https://www.atis.org/docstore/default.aspx |
| CCSA | CCSA-TSD-DS-25.412 | 5.2.0 | Published | Jan 05 | http://www.ccsa.org.cn/english/tc/files.php?docpath=/ITU-R/M.1457/M.1457-12/DS |
| ETSI | ETSI TS 125 412 | 5.2.0 | Published | Jan 05 | http://www.etsi.org/deliver/etsi_ts/125400_125499/125412/05.02.00_60/ |
| TTA | TTAT.3G-25.412(R5-5.2.0) | 5.2.0 | Approved | May 05 | http://www.tta.or.kr/data/ttasDown.jsp?where=14688&pk_num=TTAT.3G-25.412(R5-5.2.0) |
| TTC | TS-3GA-25.412(Rel5)v5.2.0 | 5.2.0 | Approved | Mar 05 | http://www.ttc.or.jp/j/document_list/free/TS/TS-3GA-25.412(Rel5)v5.2.0.pdf |
| Release 6 | | | | | |
| ATIS | ATIS.3GPP.25.412V640-2007 | 6.4.0 | Approved | Oct 07 | https://www.atis.org/docstore/default.aspx |
| CCSA | CCSA-TSD-DS-25.412 | 6.4.0 | Published | Jul 06 | http://www.ccsa.org.cn/english/tc/files.php?docpath=/ITU-R/M.1457/M.1457-12/DS |
| ETSI | ETSI TS 125 412 | 6.4.0 | Published | Jul 06 | http://www.etsi.org/deliver/etsi_ts/125400_125499/125412/06.04.00_60/ |
| TTA | TTAT.3G-25.412(R6-6.4.0) | 6.4.0 | Approved | Dec 07 | http://www.tta.or.kr/data/ttasDown.jsp?where=14688&pk_num=TTAT.3G-25.412(R6-6.4.0) |
| TTC | TS-3GA-25.412(Rel6)v6.4.0 | 6.4.0 | Approved | Mar 07 | http://www.ttc.or.jp/j/document_list/free/TS/TS-3GA-25.412(Rel6)v6.4.0.pdf |
| Release 7 | | | | | |
| ATIS | ATIS.3GPP.25.412V710-2007 | 7.1.0 | Approved | Oct 07 | https://www.atis.org/docstore/default.aspx |
| CCSA | CCSA-TSD-DS-25.412 | 7.1.0 | Published | Jul 06 | http://www.ccsa.org.cn/english/tc/files.php?docpath=/ITU-R/M.1457/M.1457-12/DS |
| ETSI | ETSI TS 125 412 | 7.1.0 | Published | Jul 06 | http://www.etsi.org/deliver/etsi_ts/125400_125499/125412/07.01.00_60/ |
| TTA | TTAT.3G-25.412(R7-7.1.0) | 7.1.0 | Approved | Dec 07 | http://www.tta.or.kr/data/ttasDown.jsp?where=14688&pk_num=TTAT.3G-25.412(R7-7.1.0) |
| TTC | TS-3GA-25.412(Rel7)v7.1.0 | 7.1.0 | Approved | Mar 08 | http://www.ttc.or.jp/j/document_list/free/TS/TS-3GA-25.412(Rel7)v7.1.0.pdf |
| Release 8 | | | | | |
| ATIS | ATIS.3GPP.25.412V800-2009 | 8.0.0 | Approved | Jul 09 | https://www.atis.org/docstore/default.aspx |
| CCSA | CCSA-TSD-DS-25.412 | 8.0.0 | Published | Jan 09 | http://www.ccsa.org.cn/english/tc/files.php?docpath=/ITU-R/M.1457/M.1457-12/DS |
| ETSI | ETSI TS 125 412 | 8.0.0 | Published | Jan 09 | http://www.etsi.org/deliver/etsi_ts/125400_125499/125412/08.00.00_60/ |
| TTA | TTAT.3G-25.412(R8-8.0.0) | 8.0.0 | Approved | Jul 09 | http://www.tta.or.kr/data/ttasDown.jsp?where=14688&pk_num=TTAT.3G-25.412(R8-8.0.0) |
| TTC | TS-3GA-25.412(Rel8)v8.0.0 | 8.0.0 | Approved | Feb 09 | http://www.ttc.or.jp/j/document_list/free/3gpps2009/TS/TS-3GA-25.412(Rel8)v8.0.0.pdf |

Release 9

| | | | | | |
|------|---------------------------|-------|-----------|--------|---|
| ATIS | ATIS.3GPP.25.412V901-2012 | 9.0.1 | Approved | Jul 12 | https://www.atis.org/docstore/default.aspx |
| CCSA | CCSA-TSD-DS-25.412 | 9.0.1 | Published | Jun 12 | http://www.ccsa.org.cn/english/tc/files.php?docpath=/ITU-R/M.1457/M.1457-12/DS |
| ETSI | ETSI TS 125 412 | 9.0.1 | Published | Apr 11 | http://www.etsi.org/deliver/etsi_ts/125400_125499/125412/09.00.01_60/ |
| TTA | TTAT.3G-25.412(R9-9.0.0) | 9.0.0 | Approved | Jul 10 | http://www.tta.or.kr/data/ttasDown.jsp?where=14688&pk_num=TTAT.3G-25.412(R9-9.0.0) |
| TTC | TS-3GA-25.412(Rel9)v9.0.0 | 9.0.0 | Approved | Jul 10 | http://www.ttc.or.jp/j/document_list/free/3gpps2010/TS/TS-3GA-25.412(Rel9)v9.0.0.pdf |

Release 10

| | | | | | |
|------|-----------------------------|--------|-----------|--------|---|
| ATIS | ATIS.3GPP.25.412V1010-2012 | 10.1.0 | Approved | Jul 12 | https://www.atis.org/docstore/default.aspx |
| CCSA | CCSA-TSD-DS-25.412 | 10.1.0 | Published | Jun 12 | http://www.ccsa.org.cn/english/tc/files.php?docpath=/ITU-R/M.1457/M.1457-12/DS |
| ETSI | ETSI TS 125 412 | 10.1.0 | Published | Jul 11 | http://www.etsi.org/deliver/etsi_ts/125400_125499/125412/10.01.00_60/ |
| TTA | TTAT.3G-25.412(R10-10.1.0) | 10.1.0 | Approved | Aug 12 | http://www.tta.or.kr/data/ttasDown.jsp?where=14688&pk_num=TTAT.3G-25.412(R10-10.1.0) |
| TTC | TS-3GA-25.412(Rel10)v10.1.0 | 10.1.0 | Approved | Aug 11 | http://www.ttc.or.jp/j/document_list/free/3gpps2011/TS/TS-3GA-25.412(Rel10)v10.1.0.pdf |

Release 11

| | | | | | |
|------|-----------------------------|--------|-----------|--------|---|
| ATIS | ATIS.3GPP.25.412V1100-2014 | 11.0.0 | Approved | May 14 | https://www.atis.org/docstore/default.aspx |
| CCSA | CCSA-TSD-DS-25.412 | 11.0.0 | Published | Jun 14 | http://www.ccsa.org.cn/english/tc/files.php?docpath=/ITU-R/M.1457/M.1457-12/DS |
| ETSI | ETSI TS 125 412 | 11.0.0 | Published | Oct 12 | http://www.etsi.org/deliver/etsi_ts/125400_125499/125412/11.00.00_60/ |
| TTA | TTAT.3G-25.412(R11-11.0.0) | 11.0.0 | published | Aug 14 | http://www.tta.or.kr/data/ttasDown.jsp?where=14688&pk_num=TTAT.3G-22.078(R11-11.0.0) |
| TTC | TS-3GA-25.412(Rel11)v11.0.0 | 11.0.0 | Approved | Jun 13 | http://www.ttc.or.jp/j/document_list/free/3gpps2013/TS/TS-3GA-25.412(Rel11)v11.0.0.pdf |

5.1.2.3.6 TS 25.413**UTRAN Iu interface Radio Access Network Application Part (RANAP) signalling**

This specification describes the signalling between the CN and the UTRAN over the Iu interface.

| SDO (2) | Document No. | Version | Status | Issued date | Location (1) |
|-------------------|----------------------------|---------|-----------|-------------|---|
| Release 99 | | | | | |
| ATIS | T1.3GPP.25.413V3140-2004 | 3.14.0 | Approved | May 04 | https://www.atis.org/docstore/default.aspx |
| CCSA | CCSA-TSD-DS-25.413 | 3.14.0 | Published | Oct 03 | http://www.ccsa.org.cn/english/tc/files.php?docpath=/ITU-R/M.1457/M.1457-12/DS |
| ETSI | ETSI TS 125 413 | 3.14.0 | Published | Oct 03 | http://www.etsi.org/deliver/etsi_ts/125400_125499/125413/03.14.00_60/ |
| TTA | TTAT.3G-25.413(R99-3.14.0) | 3.14.0 | Approved | May 04 | http://www.tta.or.kr/data/ttasDown.jsp?where=14688&pk_num=TTAT.3G-25.413(R99-3.14.0) |
| TTC | TS-3GA-25.413(R99)v3.14.0 | 3.14.0 | Approved | Nov 03 | http://www.ttc.or.jp/j/document_list/free/TS/TS-3GA-25.413(R99)v3.14.0.pdf |
| Release 4 | | | | | |
| ATIS | ATIS.3GPP.25.413V4120-2005 | 4.12.0 | Approved | Apr 05 | https://www.atis.org/docstore/default.aspx |
| CCSA | CCSA-TSD-DS-25.413 | 4.12.0 | Published | Apr 04 | http://www.ccsa.org.cn/english/tc/files.php?docpath=/ITU-R/M.1457/M.1457-12/DS |
| ETSI | ETSI TS 125 413 | 4.12.0 | Published | Apr 04 | http://www.etsi.org/deliver/etsi_ts/125400_125499/125413/04.12.00_60/ |
| TTA | TTAT.3G-25.413(R4-4.12.0) | 4.12.0 | Approved | May 05 | http://www.tta.or.kr/data/ttasDown.jsp?where=14688&pk_num=TTAT.3G-25.413(R4-4.12.0) |
| TTC | TS-3GA-25.413(Rel4)v4.12.0 | 4.12.0 | Approved | May 04 | http://www.ttc.or.jp/j/document_list/free/TS/TS-3GA-25.413(Rel4)v4.12.0.pdf |
| Release 5 | | | | | |
| ATIS | ATIS.3GPP.25.413V5120-2006 | 5.12.0 | Approved | Apr 06 | https://www.atis.org/docstore/default.aspx |
| CCSA | CCSA-TSD-DS-25.413 | 5.12.0 | Published | Jul 05 | http://www.ccsa.org.cn/english/tc/files.php?docpath=/ITU-R/M.1457/M.1457-12/DS |
| ETSI | ETSI TS 125 413 | 5.12.0 | Published | Jul 05 | http://www.etsi.org/deliver/etsi_ts/125400_125499/125413/05.12.00_60/ |
| TTA | TTAT.3G-25.413(R5-5.12.0) | 5.12.0 | Approved | Apr 06 | http://www.tta.or.kr/data/ttasDown.jsp?where=14688&pk_num=TTAT.3G-25.413(R5-5.12.0) |

| | | | | | |
|-------------------|-----------------------------|--------|-----------|--------|---|
| TTC | TS-3GA-25.413(Rel5)v5.12.0 | 5.12.0 | Approved | Mar 08 | http://www.ttc.or.jp/j/document_list/free/TS/TS-3GA-25.413(Rel5)v5.12.0.pdf |
| Release 6 | | | | | |
| ATIS | ATIS.3GPP.25.413V6160-2008 | 6.16.0 | Approved | Oct 08 | https://www.atis.org/docstore/default.aspx |
| CCSA | CCSA-TSD-DS-25.413 | 6.16.0 | Published | Jan 08 | http://www.ccsa.org.cn/english/tc/files.php?docpath=/ITU-R/M.1457/M.1457-12/DS |
| ETSI | ETSI TS 125 413 | 6.16.0 | Published | Jan 08 | http://www.etsi.org/deliver/etsi_ts/125400_125499/125413/06.16.00_60/ |
| TTA | TTAT.3G-25.413(R6-6.16.0) | 6.16.0 | Approved | Oct 08 | http://www.tta.or.kr/data/ttasDown.jsp?where=14688&pk_num=TTAT.3G-25.413(R6-6.16.0) |
| TTC | TS-3GA-25.413(Rel6)v6.16.0 | 6.16.0 | Approved | Feb 09 | http://www.ttc.or.jp/j/document_list/free/3gpps2009/TS/TS-3GA-25.413(Rel6)v6.16.0.pdf |
| Release 7 | | | | | |
| ATIS | ATIS.3GPP.25.413V7100-2009 | 7.10.0 | Approved | Jul 09 | https://www.atis.org/docstore/default.aspx |
| CCSA | CCSA-TSD-DS-25.413 | 7.10.0 | Published | Apr 09 | http://www.ccsa.org.cn/english/tc/files.php?docpath=/ITU-R/M.1457/M.1457-12/DS |
| ETSI | ETSI TS 125 413 | 7.10.0 | Published | Apr 09 | http://www.etsi.org/deliver/etsi_ts/125400_125499/125413/07.10.00_60/ |
| TTA | TTAT.3G-25.413(R7-7.10.0) | 7.10.0 | Approved | Jul 09 | http://www.tta.or.kr/data/ttasDown.jsp?where=14688&pk_num=TTAT.3G-25.413(R7-7.10.0) |
| TTC | TS-3GA-25.413(Rel7)v7.10.0 | 7.10.0 | Approved | Jul 09 | http://www.ttc.or.jp/j/document_list/free/3gpps2009/TS/TS-3GA-25.413(Rel7)v7.10.0.pdf |
| Release 8 | | | | | |
| ATIS | ATIS.3GPP.25.413V880-2012 | 8.8.0 | Approved | Jul 12 | https://www.atis.org/docstore/default.aspx |
| CCSA | CCSA-TSD-DS-25.413 | 8.8.0 | Published | Jun 12 | http://www.ccsa.org.cn/english/tc/files.php?docpath=/ITU-R/M.1457/M.1457-12/DS |
| ETSI | ETSI TS 125 413 | 8.8.0 | Published | Jul 11 | http://www.etsi.org/deliver/etsi_ts/125400_125499/125413/08.08.00_60/ |
| TTA | TTAT.3G-25.413(R8-8.2.1) | 8.2.1 | Approved | Jul 09 | http://www.tta.or.kr/data/ttasDown.jsp?where=14688&pk_num=TTAT.3G-25.413(R8-8.2.1) |
| TTC | TS-3GA-25.413(Rel8)v8.8.0 | 8.8.0 | Approved | Aug 11 | http://www.ttc.or.jp/j/document_list/free/3gpps2011/TS/TS-3GA-25.413(Rel8)v8.8.0.pdf |
| Release 9 | | | | | |
| ATIS | ATIS.3GPP.25.413V990-2014 | 9.9.0 | Approved | May 14 | https://www.atis.org/docstore/default.aspx |
| CCSA | CCSA-TSD-DS-25.413 | 9.8.0 | Published | Jun 12 | http://www.ccsa.org.cn/english/tc/files.php?docpath=/ITU-R/M.1457/M.1457-12/DS |
| ETSI | ETSI TS 125 413 | 9.9.0 | Published | Oct 12 | http://www.etsi.org/deliver/etsi_ts/125400_125499/125413/09.09.00_60/ |
| TTA | TTAT.3G-25.413(R9-9.2.0) | 9.2.0 | Approved | Jul 10 | http://www.tta.or.kr/data/ttasDown.jsp?where=14688&pk_num=TTAT.3G-25.413(R9-9.2.0) |
| TTC | TS-3GA-25.413(Rel9)v9.9.0 | 9.9.0 | Approved | Dec 12 | http://www.ttc.or.jp/jp/document_list/free/3gpps2012/TS/TS-3GA-25.413(Rel9)v9.9.0.pdf |
| Release 10 | | | | | |
| ATIS | ATIS.3GPP.25.413V1090-2014 | 10.9.0 | Approved | May 14 | https://www.atis.org/docstore/default.aspx |
| CCSA | CCSA-TSD-DS-25.413 | 10.4.0 | Published | Jun 12 | http://www.ccsa.org.cn/english/tc/files.php?docpath=/ITU-R/M.1457/M.1457-12/DS |
| ETSI | ETSI TS 125 413 | 10.9.0 | Published | Apr 13 | http://www.etsi.org/deliver/etsi_ts/125400_125499/125413/10.09.00_60/ |
| TTA | TTAT.3G-25.413(R10-10.5.0) | 10.5.0 | Approved | Aug 12 | http://www.tta.or.kr/data/ttasDown.jsp?where=14688&pk_num=TTAT.3G-25.413(R10-10.5.0) |
| TTC | TS-3GA-25.413(Rel10)v10.9.0 | 10.9.0 | Approved | Jun 13 | http://www.ttc.or.jp/jp/document_list/free/3gpps2013/TS/TS-3GA-25.413(Rel10)v10.9.0.pdf |
| Release 11 | | | | | |
| ATIS | ATIS.3GPP.25.413V1130-2014 | 11.3.0 | Approved | May 14 | https://www.atis.org/docstore/default.aspx |
| CCSA | CCSA-TSD-DS-25.413 | 11.6.0 | Published | Jun 14 | http://www.ccsa.org.cn/english/tc/files.php?docpath=/ITU-R/M.1457/M.1457-12/DS |
| ETSI | ETSI TS 125 413 | 11.3.0 | Published | Apr 13 | http://www.etsi.org/deliver/etsi_ts/125400_125499/125413/11.03.00_60/ |
| TTA | TTAT.3G-25.413(R11-11.3.0) | 11.3.0 | published | Aug 14 | http://www.tta.or.kr/data/ttasDown.jsp?where=14688&pk_num=TTAT.3G-22.079(R11-11.0.0) |
| TTC | TS-3GA-25.413(Rel11)v11.3.0 | 11.3.0 | Approved | Jun 13 | http://www.ttc.or.jp/jp/document_list/free/3gpps2013/TS/TS-3GA-25.413(Rel11)v11.3.0.pdf |

5.1.2.3.7 TS 25.414

UTRAN Iu interface data transport and transport signalling

This specification describes the standards for user data transport protocols and related signalling protocols to establish user plane transport bearers over the Iu interface.

| SDO (2) | Document No. | Version | Status | Issued date | Location (1) |
|-------------------|----------------------------|---------|-----------|-------------|---|
| Release 99 | | | | | |
| ATIS | T1.3GPP.25.414V3130-2004 | 3.13.0 | Approved | May 04 | https://www.atis.org/docstore/default.aspx |
| CCSA | CCSA-TSD-DS-25.414 | 3.13.0 | Published | Apr 03 | http://www.ccsa.org.cn/english/tc/files.php?docpath=/ITU-R/M.1457/M.1457-12/DS |
| ETSI | ETSI TS 125 414 | 3.13.0 | Published | Apr 03 | http://www.etsi.org/deliver/etsi_ts/125400_125499/125414/03.13.00_60/ |
| TTA | TTAT.3G-25.414(R99-3.13.0) | 3.13.0 | Approved | May 04 | http://www.tta.or.kr/data/ttasDown.jsp?where=14688&pk_num=TTAT.3G-25.414(R99-3.13.0) |
| TTC | TS-3GA-25.414(R99)v3.13.0 | 3.13.0 | Approved | May 03 | http://www.ttc.or.jp/j/document_list/free/TS/TS-3GA-25.414(R99)v3.13.0.pdf |
| Release 4 | | | | | |
| ATIS | T1.3GPP.25.414V470-2004 | 4.7.0 | Approved | May 04 | https://www.atis.org/docstore/default.aspx |
| CCSA | CCSA-TSD-DS-25.414 | 4.7.0 | Published | Jan 04 | http://www.ccsa.org.cn/english/tc/files.php?docpath=/ITU-R/M.1457/M.1457-12/DS |
| ETSI | ETSI TS 125 414 | 4.7.0 | Published | Jan 04 | http://www.etsi.org/deliver/etsi_ts/125400_125499/125414/04.07.00_60/ |
| TTA | TTAT.3G-25.414(R4-4.7.0) | 4.7.0 | Approved | May 04 | http://www.tta.or.kr/data/ttasDown.jsp?where=14688&pk_num=TTAT.3G-25.414(R4-4.7.0) |
| TTC | TS-3GA-25.414(Rel4)v4.7.0 | 4.7.0 | Approved | Feb 04 | http://www.ttc.or.jp/j/document_list/free/TS/TS-3GA-25.414(Rel4)v4.7.0.pdf |
| Release 5 | | | | | |
| ATIS | ATIS.3GPP.25.414V570-2005 | 5.7.0 | Approved | Apr 05 | https://www.atis.org/docstore/default.aspx |
| CCSA | CCSA-TSD-DS-25.414 | 5.7.0 | Published | Oct 04 | http://www.ccsa.org.cn/english/tc/files.php?docpath=/ITU-R/M.1457/M.1457-12/DS |
| ETSI | ETSI TS 125 414 | 5.7.0 | Published | Oct 04 | http://www.etsi.org/deliver/etsi_ts/125400_125499/125414/05.07.00_60/ |
| TTA | TTAT.3G-25.414(R5-5.7.0) | 5.7.0 | Approved | May 05 | http://www.tta.or.kr/data/ttasDown.jsp?where=14688&pk_num=TTAT.3G-25.414(R5-5.7.0) |
| TTC | TS-3GA-25.414(Rel5)v5.7.0 | 5.7.0 | Approved | Nov 04 | http://www.ttc.or.jp/j/document_list/free/TS/TS-3GA-25.414(Rel5)v5.7.0.pdf |
| Release 6 | | | | | |
| ATIS | ATIS.3GPP.25.414V640-2007 | 6.4.0 | Approved | Oct 07 | https://www.atis.org/docstore/default.aspx |
| CCSA | CCSA-TSD-DS-25.414 | 6.4.0 | Published | Oct 06 | http://www.ccsa.org.cn/english/tc/files.php?docpath=/ITU-R/M.1457/M.1457-12/DS |
| ETSI | ETSI TS 125 414 | 6.4.0 | Published | Oct 06 | http://www.etsi.org/deliver/etsi_ts/125400_125499/125414/06.04.00_60/ |
| TTA | TTAT.3G-25.414(R6-6.4.0) | 6.4.0 | Approved | Dec 07 | http://www.tta.or.kr/data/ttasDown.jsp?where=14688&pk_num=TTAT.3G-25.414(R6-6.4.0) |
| TTC | TS-3GA-25.414(Rel6)v6.4.0 | 6.4.0 | Approved | Mar 07 | http://www.ttc.or.jp/j/document_list/free/TS/TS-3GA-25.414(Rel6)v6.4.0.pdf |
| Release 7 | | | | | |
| ATIS | ATIS.3GPP.25.414V710-2007 | 7.1.0 | Approved | Oct 07 | https://www.atis.org/docstore/default.aspx |
| CCSA | CCSA-TSD-DS-25.414 | 7.1.0 | Published | Oct 06 | http://www.ccsa.org.cn/english/tc/files.php?docpath=/ITU-R/M.1457/M.1457-12/DS |
| ETSI | ETSI TS 125 414 | 7.1.0 | Published | Oct 06 | http://www.etsi.org/deliver/etsi_ts/125400_125499/125414/07.01.00_60/ |
| TTA | TTAT.3G-25.414(R7-7.1.0) | 7.1.0 | Approved | Dec 07 | http://www.tta.or.kr/data/ttasDown.jsp?where=14688&pk_num=TTAT.3G-25.414(R7-7.1.0) |
| TTC | TS-3GA-25.414(Rel7)v7.1.0 | 7.1.0 | Approved | Mar 08 | http://www.ttc.or.jp/j/document_list/free/TS/TS-3GA-25.414(Rel7)v7.1.0.pdf |
| Release 8 | | | | | |
| ATIS | ATIS.3GPP.25.414V800-2009 | 8.0.0 | Approved | Jul 09 | https://www.atis.org/docstore/default.aspx |
| CCSA | CCSA-TSD-DS-25.414 | 8.0.0 | Published | Jan 09 | http://www.ccsa.org.cn/english/tc/files.php?docpath=/ITU-R/M.1457/M.1457-12/DS |
| ETSI | ETSI TS 125 414 | 8.0.0 | Published | Jan 09 | http://www.etsi.org/deliver/etsi_ts/125400_125499/125414/08.00.00_60/ |
| TTA | TTAT.3G-25.414(R8-8.0.0) | 8.0.0 | Approved | Jul 09 | http://www.tta.or.kr/data/ttasDown.jsp?where=14688&pk_num=TTAT.3G-25.414(R8-8.0.0) |
| TTC | TS-3GA-25.414(Rel8)v8.0.0 | 8.0.0 | Approved | Feb 09 | http://www.ttc.or.jp/j/document_list/free/3gpps2009/TS/TS-3GA-25.414(Rel8)v8.0.0.pdf |
| Release 9 | | | | | |
| ATIS | ATIS.3GPP.25.414V901-2012 | 9.0.1 | Approved | Jul 12 | https://www.atis.org/docstore/default.aspx |
| CCSA | CCSA-TSD-DS-25.414 | 9.0.1 | Published | Jun 12 | http://www.ccsa.org.cn/english/tc/files.php?docpath=/ITU-R/M.1457/M.1457-12/DS |
| ETSI | ETSI TS 125 414 | 9.0.1 | Published | Apr 11 | http://www.etsi.org/deliver/etsi_ts/125400_125499/125414/09.00.01_60/ |
| TTA | TTAT.3G-25.414(R9-9.0.0) | 9.0.0 | Approved | Jul 10 | http://www.tta.or.kr/data/ttasDown.jsp?where=14688&pk_num=TTAT.3G-25.414(R9-9.0.0) |
| TTC | TS-3GA-25.414(Rel9)v9.0.0 | 9.0.0 | Approved | Jul 10 | http://www.ttc.or.jp/j/document_list/free/3gpps2010/TS/TS-3GA-25.414(Rel9)v9.0.0.pdf |

Release 10

| | | | | | |
|------|-----------------------------|--------|-----------|--------|---|
| ATIS | ATIS.3GPP.25.414V1010-2012 | 10.1.0 | Approved | Jul 12 | https://www.atis.org/docstore/default.aspx |
| CCSA | CCSA-TSD-DS-25.414 | 10.1.0 | Published | Jun 12 | http://www.ccsa.org.cn/english/tc/files.php?docpath=/ITU-R/M.1457/M.1457-12/DS |
| ETSI | ETSI TS 125 414 | 10.1.0 | Published | Jul 11 | http://www.etsi.org/deliver/etsi_ts/125400_125499/125414/10.01.00_60/ |
| TTA | TTAT.3G-25.414(R10-10.1.0) | 10.1.0 | Approved | Aug 12 | http://www.tta.or.kr/data/ttasDown.jsp?where=14688&pk_num=TTAT.3G-25.414(R10-10.1.0) |
| TTC | TS-3GA-25.414(Rel10)v10.1.0 | 10.1.0 | Approved | Aug 11 | http://www.ttc.or.jp/j/document_list/free/3gpps2011/TS/TS-3GA-25.414(Rel10)v10.1.0.pdf |

Release 11

| | | | | | |
|------|-----------------------------|--------|-----------|--------|---|
| ATIS | ATIS.3GPP.25.414V1100-2014 | 11.0.0 | Approved | May 14 | https://www.atis.org/docstore/default.aspx |
| CCSA | CCSA-TSD-DS-25.414 | 11.0.0 | Published | Jun 14 | http://www.ccsa.org.cn/english/tc/files.php?docpath=/ITU-R/M.1457/M.1457-12/DS |
| ETSI | ETSI TS 125 414 | 11.0.0 | Published | Oct 12 | http://www.etsi.org/deliver/etsi_ts/125400_125499/125414/11.00.00_60/ |
| TTA | TTAT.3G-25.414(R11-11.0.0) | 11.0.0 | published | Aug 14 | http://www.tta.or.kr/data/ttasDown.jsp?where=14688&pk_num=TTAT.3G-22.081(R11-11.1.0) |
| TTC | TS-3GA-25.414(Rel11)v11.0.0 | 11.0.0 | Approved | Jun 13 | http://www.ttc.or.jp/j/document_list/free/3gpps2013/TS/TS-3GA-25.414(Rel11)v11.0.0.pdf |

5.1.2.3.8 TS 25.415**UTRAN Iu interface user plane protocols**

This specification describes the protocols being used to transport and control over the Iu interface, the Iu user data streams.

| SDO (2) | Document No. | Version | Status | Issued date | Location (1) |
|-------------------|----------------------------|---------|-----------|-------------|---|
| Release 99 | | | | | |
| ATIS | T1.3GPP.25.415V3120-2003 | 3.12.0 | Approved | Mar 03 | https://www.atis.org/docstore/default.aspx |
| CCSA | CCSA-TSD-DS-25.415 | 3.12.0 | Published | Oct 02 | http://www.ccsa.org.cn/english/tc/files.php?docpath=/ITU-R/M.1457/M.1457-12/DS |
| ETSI | ETSI TS 125 415 | 3.12.0 | Published | Oct 02 | http://www.etsi.org/deliver/etsi_ts/125400_125499/125415/03.12.00_60/ |
| TTA | TTAT.3G-25.415(R99-3.12.0) | 3.12.0 | Approved | Mar 03 | http://www.tta.or.kr/data/ttasDown.jsp?where=14688&pk_num=TTAT.3G-25.415(R99-3.12.0) |
| TTC | TS-3GA-25.415(R99)v3.12.0 | 3.12.0 | Approved | Nov 02 | http://www.ttc.or.jp/j/document_list/free/TS/TS-3GA-25.415(R99)v3.12.0.pdf |
| Release 4 | | | | | |
| ATIS | T1.3GPP.25.415V470-2003 | 4.7.0 | Approved | Mar 03 | https://www.atis.org/docstore/default.aspx |
| CCSA | CCSA-TSD-DS-25.415 | 4.7.0 | Published | Jan 03 | http://www.ccsa.org.cn/english/tc/files.php?docpath=/ITU-R/M.1457/M.1457-12/DS |
| ETSI | ETSI TS 125 415 | 4.7.0 | Published | Jan 03 | http://www.etsi.org/deliver/etsi_ts/125400_125499/125415/04.07.00_60/ |
| TTA | TTAT.3G-25.415(R4-4.7.0) | 4.7.0 | Approved | Mar 03 | http://www.tta.or.kr/data/ttasDown.jsp?where=14688&pk_num=TTAT.3G-25.415(R4-4.7.0) |
| TTC | TS-3GA-25.415(Rel4)v4.7.0 | 4.7.0 | Approved | Feb 03 | http://www.ttc.or.jp/j/document_list/free/TS/TS-3GA-25.415(Rel4)v4.7.0.pdf |
| Release 5 | | | | | |
| ATIS | ATIS.3GPP.25.415V550-2006 | 5.5.0 | Approved | Apr 06 | https://www.atis.org/docstore/default.aspx |
| CCSA | CCSA-TSD-DS-25.415 | 5.5.0 | Published | Apr 05 | http://www.ccsa.org.cn/english/tc/files.php?docpath=/ITU-R/M.1457/M.1457-12/DS |
| ETSI | ETSI TS 125 415 | 5.5.0 | Published | Apr 05 | http://www.etsi.org/deliver/etsi_ts/125400_125499/125415/05.05.00_60/ |
| TTA | TTAT.3G-25.415(R5-5.5.0) | 5.5.0 | Approved | Apr 06 | http://www.tta.or.kr/data/ttasDown.jsp?where=14688&pk_num=TTAT.3G-25.415(R5-5.5.0) |
| TTC | TS-3GA-25.415(Rel5)v5.5.0 | 5.5.0 | Approved | May 05 | http://www.ttc.or.jp/j/document_list/free/TS/TS-3GA-25.415(Rel5)v5.5.0.pdf |
| Release 6 | | | | | |
| ATIS | ATIS.3GPP.25.415V630-2007 | 6.3.0 | Approved | Oct 07 | https://www.atis.org/docstore/default.aspx |
| CCSA | CCSA-TSD-DS-25.415 | 6.3.0 | Published | Jul 06 | http://www.ccsa.org.cn/english/tc/files.php?docpath=/ITU-R/M.1457/M.1457-12/DS |
| ETSI | ETSI TS 125 415 | 6.3.0 | Published | Jul 06 | http://www.etsi.org/deliver/etsi_ts/125400_125499/125415/06.03.00_60/ |
| TTA | TTAT.3G-25.415(R6-6.3.0) | 6.3.0 | Approved | Dec 07 | http://www.tta.or.kr/data/ttasDown.jsp?where=14688&pk_num=TTAT.3G-25.415(R6-6.3.0) |
| TTC | TS-3GA-25.415(Rel6)v6.3.0 | 6.3.0 | Approved | Mar 07 | http://www.ttc.or.jp/j/document_list/free/TS/TS-3GA-25.415(Rel6)v6.3.0.pdf |

Release 7

| | | | | | |
|------|---------------------------|-------|-----------|--------|---|
| ATIS | ATIS.3GPP.25.415V730-2007 | 7.3.0 | Approved | Oct 07 | https://www.atis.org/docstore/default.aspx |
| CCSA | CCSA-TSD-DS-25.415 | 7.3.0 | Published | Jan 07 | http://www.ccsa.org.cn/english/tc/files.php?docpath=/ITU-R/M.1457/M.1457-12/DS |
| ETSI | ETSI TS 125 415 | 7.3.0 | Published | Jan 07 | http://www.etsi.org/deliver/etsi_ts/125400_125499/125415/07.03.00_60/ |
| TTA | TTAT.3G-25.415(R7-7.3.0) | 7.3.0 | Approved | Dec 07 | http://www.tta.or.kr/data/ttasDown.jsp?where=14688&pk_num=TTAT.3G-25.415(R7-7.3.0) |
| TTC | TS-3GA-25.415(Rel7)v7.3.0 | 7.3.0 | Approved | Mar 08 | http://www.ttc.or.jp/j/document_list/free/TS/TS-3GA-25.415(Rel7)v7.3.0.pdf |

Release 8

| | | | | | |
|------|---------------------------|-------|-----------|--------|---|
| ATIS | ATIS.3GPP.25.415V800-2009 | 8.0.0 | Approved | Jul 09 | https://www.atis.org/docstore/default.aspx |
| CCSA | CCSA-TSD-DS-25.415 | 8.0.0 | Published | Jan 09 | http://www.ccsa.org.cn/english/tc/files.php?docpath=/ITU-R/M.1457/M.1457-12/DS |
| ETSI | ETSI TS 125 415 | 8.0.0 | Published | Jan 09 | http://www.etsi.org/deliver/etsi_ts/125400_125499/125415/08.00.00_60/ |
| TTA | TTAT.3G-25.415(R8-8.0.0) | 8.0.0 | Approved | Jul 09 | http://www.tta.or.kr/data/ttasDown.jsp?where=14688&pk_num=TTAT.3G-25.415(R8-8.0.0) |
| TTC | TS-3GA-25.415(Rel8)v8.0.0 | 8.0.0 | Approved | Feb 09 | http://www.ttc.or.jp/j/document_list/free/3gpps2009/TS/TS-3GA-25.415(Rel8)v8.0.0.pdf |

Release 9

| | | | | | |
|------|---------------------------|-------|-----------|--------|---|
| ATIS | ATIS.3GPP.25.415V901-2012 | 9.0.1 | Approved | Jul 12 | https://www.atis.org/docstore/default.aspx |
| CCSA | CCSA-TSD-DS-25.415 | 9.0.1 | Published | Jun 12 | http://www.ccsa.org.cn/english/tc/files.php?docpath=/ITU-R/M.1457/M.1457-12/DS |
| ETSI | ETSI TS 125 415 | 9.0.1 | Published | Apr 11 | http://www.etsi.org/deliver/etsi_ts/125400_125499/125415/09.00.01_60/ |
| TTA | TTAT.3G-25.415(R9-9.0.0) | 9.0.0 | Approved | Jul 10 | http://www.tta.or.kr/data/ttasDown.jsp?where=14688&pk_num=TTAT.3G-25.415(R9-9.0.0) |
| TTC | TS-3GA-25.415(Rel9)v9.0.0 | 9.0.0 | Approved | Jul 10 | http://www.ttc.or.jp/j/document_list/free/3gpps2010/TS/TS-3GA-25.415(Rel9)v9.0.0.pdf |

Release 10

| | | | | | |
|------|-----------------------------|--------|-----------|--------|---|
| ATIS | ATIS.3GPP.25.415V1010-2012 | 10.1.0 | Approved | Jul 12 | https://www.atis.org/docstore/default.aspx |
| CCSA | CCSA-TSD-DS-25.415 | 10.1.0 | Published | Jun 12 | http://www.ccsa.org.cn/english/tc/files.php?docpath=/ITU-R/M.1457/M.1457-12/DS |
| ETSI | ETSI TS 125 415 | 10.1.0 | Published | Jul 11 | http://www.etsi.org/deliver/etsi_ts/125400_125499/125415/10.01.00_60/ |
| TTA | TTAT.3G-25.415(R10-10.1.0) | 10.1.0 | Approved | Aug 12 | http://www.tta.or.kr/data/ttasDown.jsp?where=14688&pk_num=TTAT.3G-25.415(R10-10.1.0) |
| TTC | TS-3GA-25.415(Rel10)v10.1.0 | 10.1.0 | Approved | Aug 11 | http://www.ttc.or.jp/j/document_list/free/3gpps2011/TS/TS-3GA-25.415(Rel10)v10.1.0.pdf |

Release 11

| | | | | | |
|------|-----------------------------|--------|-----------|--------|---|
| ATIS | ATIS.3GPP.25.415V1100-2014 | 11.0.0 | Approved | May 14 | https://www.atis.org/docstore/default.aspx |
| CCSA | CCSA-TSD-DS-25.415 | 11.0.0 | Published | Jun 14 | http://www.ccsa.org.cn/english/tc/files.php?docpath=/ITU-R/M.1457/M.1457-12/DS |
| ETSI | ETSI TS 125 415 | 11.0.0 | Published | Oct 12 | http://www.etsi.org/deliver/etsi_ts/125400_125499/125415/11.00.00_60/ |
| TTA | TTAT.3G-25.415(R11-11.0.0) | 11.0.0 | published | Aug 14 | http://www.tta.or.kr/data/ttasDown.jsp?where=14688&pk_num=TTAT.3G-22.082(R11-11.0.0) |
| TTC | TS-3GA-25.415(Rel11)v11.0.0 | 11.0.0 | Approved | Jun 13 | http://www.ttc.or.jp/j/document_list/free/3gpps2013/TS/TS-3GA-25.415(Rel11)v11.0.0.pdf |

5.1.2.3.9 TS 25.419**UTRAN Iu-BC interface: Service Area Broadcast Protocol (SABP)**

This document specifies the Service Area Broadcast Protocol (SABP) between the Cell Broadcast Centre (CBC) and the Radio Network Controller (RNC).

| SDO (2) | Document No. | Version | Status | Issued date | Location (1) |
|---------|--------------|---------|--------|-------------|--------------|
|---------|--------------|---------|--------|-------------|--------------|

Release 99

| | | | | | |
|------|----------------------------|--------|-----------|--------|---|
| ATIS | T1.3GPP.25.419V3110-2004 | 3.11.0 | Approved | May 04 | https://www.atis.org/docstore/default.aspx |
| CCSA | CCSA-TSD-DS-25.419 | 3.11.0 | Published | Jun 03 | http://www.ccsa.org.cn/english/tc/files.php?docpath=/ITU-R/M.1457/M.1457-12/DS |
| ETSI | ETSI TS 125 419 | 3.11.0 | Published | Jun 03 | http://www.etsi.org/deliver/etsi_ts/125400_125499/125419/03.11.00_60/ |
| TTA | TTAT.3G-25.419(R99-3.11.0) | 3.11.0 | Approved | May 04 | http://www.tta.or.kr/data/ttasDown.jsp?where=14688&pk_num=TTAT.3G-25.419(R99-3.11.0) |
| TTC | TS-3GA-25.419(R99)v3.11.0 | 3.11.0 | Approved | Aug 03 | http://www.ttc.or.jp/j/document_list/free/TS/TS-3GA-25.419(R99)v3.11.0.pdf |

Release 4

| | | | | | |
|------|----------------------------|--------|-----------|--------|---|
| ATIS | T1.3GPP.25.419V4100-2004 | 4.10.0 | Approved | May 04 | https://www.atis.org/docstore/default.aspx |
| CCSA | CCSA-TSD-DS-25.419 | 4.10.0 | Published | Jan 04 | http://www.ccsa.org.cn/english/tc/files.php?docpath=/ITU-R/M.1457/M.1457-12/DS |
| ETSI | ETSI TS 125 419 | 4.10.0 | Published | Jan 04 | http://www.etsi.org/deliver/etsi_ts/125400_125499/125419/04.10.00_60/ |
| TTA | TTAT.3G-25.419(R4-4.10.0) | 4.10.0 | Approved | May 04 | http://www.tta.or.kr/data/ttasDown.jsp?where=14688&pk_num=TTAT.3G-25.419(R4-4.10.0) |
| TTC | TS-3GA-25.419(Rel4)v4.10.0 | 4.10.0 | Approved | Feb 04 | http://www.ttc.or.jp/j/document_list/free/TS/TS-3GA-25.419(Rel4)v4.10.0.pdf |

Release 5

| | | | | | |
|------|---------------------------|-------|-----------|--------|---|
| ATIS | ATIS.3GPP.25.419V570-2005 | 5.7.0 | Approved | Apr 05 | https://www.atis.org/docstore/default.aspx |
| CCSA | CCSA-TSD-DS-25.419 | 5.7.0 | Published | Apr 04 | http://www.ccsa.org.cn/english/tc/files.php?docpath=/ITU-R/M.1457/M.1457-12/DS |
| ETSI | ETSI TS 125 419 | 5.7.0 | Published | Apr 04 | http://www.etsi.org/deliver/etsi_ts/125400_125499/125419/05.07.00_60/ |
| TTA | TTAT.3G-25.419(R5-5.7.0) | 5.7.0 | Approved | May 05 | http://www.tta.or.kr/data/ttasDown.jsp?where=14688&pk_num=TTAT.3G-25.419(R5-5.7.0) |
| TTC | TS-3GA-25.419(Rel5)v5.7.0 | 5.7.0 | Approved | May 04 | http://www.ttc.or.jp/j/document_list/free/TS/TS-3GA-25.419(Rel5)v5.7.0.pdf |

Release 6

| | | | | | |
|------|---------------------------|-------|-----------|--------|---|
| ATIS | ATIS.3GPP.25.419V620-2005 | 6.2.0 | Approved | Apr 05 | https://www.atis.org/docstore/default.aspx |
| CCSA | CCSA-TSD-DS-25.419 | 6.2.0 | Published | Jan 05 | http://www.ccsa.org.cn/english/tc/files.php?docpath=/ITU-R/M.1457/M.1457-12/DS |
| ETSI | ETSI TS 125 419 | 6.2.0 | Published | Jan 05 | http://www.etsi.org/deliver/etsi_ts/125400_125499/125419/06.02.00_60/ |
| TTA | TTAT.3G-25.419(R6-6.2.0) | 6.2.0 | Approved | May 05 | http://www.tta.or.kr/data/ttasDown.jsp?where=14688&pk_num=TTAT.3G-25.419(R6-6.2.0) |
| TTC | TS-3GA-25.419(Rel6)v6.2.0 | 6.2.0 | Approved | Mar 05 | http://www.ttc.or.jp/j/document_list/free/TS/TS-3GA-25.419(Rel6)v6.2.0.pdf |

Release 7

| | | | | | |
|------|---------------------------|-------|-----------|--------|---|
| ATIS | ATIS.3GPP.25.419V700-2007 | 7.0.0 | Approved | Oct 07 | https://www.atis.org/docstore/default.aspx |
| CCSA | CCSA-TSD-DS-25.419 | 7.0.0 | Published | May 06 | http://www.ccsa.org.cn/english/tc/files.php?docpath=/ITU-R/M.1457/M.1457-12/DS |
| ETSI | ETSI TS 125 419 | 7.0.0 | Published | May 06 | http://www.etsi.org/deliver/etsi_ts/125400_125499/125419/07.00.00_60/ |
| TTA | TTAT.3G-25.419(R7-7.0.0) | 7.0.0 | Approved | Dec 07 | http://www.tta.or.kr/data/ttasDown.jsp?where=14688&pk_num=TTAT.3G-25.419(R7-7.0.0) |
| TTC | TS-3GA-25.419(Rel7)v7.0.0 | 7.0.0 | Approved | Mar 08 | http://www.ttc.or.jp/j/document_list/free/TS/TS-3GA-25.419(Rel7)v7.0.0.pdf |

Release 8

| | | | | | |
|------|---------------------------|-------|-----------|--------|---|
| ATIS | ATIS.3GPP.25.419V820-2012 | 8.2.0 | Approved | Jul 12 | https://www.atis.org/docstore/default.aspx |
| CCSA | CCSA-TSD-DS-25.419 | 8.2.0 | Published | Jun 12 | http://www.ccsa.org.cn/english/tc/files.php?docpath=/ITU-R/M.1457/M.1457-12/DS |
| ETSI | ETSI TS 125 419 | 8.2.0 | Published | Oct 11 | http://www.etsi.org/deliver/etsi_ts/125400_125499/125419/08.02.00_60/ |
| TTA | TTAT.3G-25.419(R8-8.0.0) | 8.0.0 | Approved | Jul 09 | http://www.tta.or.kr/data/ttasDown.jsp?where=14688&pk_num=TTAT.3G-25.419(R8-8.0.0) |
| TTC | TS-3GA-25.419(Rel8)v8.2.0 | 8.2.0 | Approved | Dec 11 | http://www.ttc.or.jp/j/document_list/free/3gpps2011/TS/TS-3GA-25.419(Rel8)v8.2.0.pdf |

Release 9

| | | | | | |
|------|---------------------------|-------|-----------|--------|---|
| ATIS | ATIS.3GPP.25.419V910-2012 | 9.1.0 | Approved | Jul 12 | https://www.atis.org/docstore/default.aspx |
| CCSA | CCSA-TSD-DS-25.419 | 9.1.0 | Published | Jun 12 | http://www.ccsa.org.cn/english/tc/files.php?docpath=/ITU-R/M.1457/M.1457-12/DS |
| ETSI | ETSI TS 125 419 | 9.1.0 | Published | Oct 11 | http://www.etsi.org/deliver/etsi_ts/125400_125499/125419/09.01.00_60/ |
| TTA | TTAT.3G-25.419(R9-9.0.0) | 9.0.0 | Approved | Jul 10 | http://www.tta.or.kr/data/ttasDown.jsp?where=14688&pk_num=TTAT.3G-25.419(R9-9.0.0) |
| TTC | TS-3GA-25.419(Rel9)v9.1.0 | 9.1.0 | Approved | Dec 11 | http://www.ttc.or.jp/j/document_list/free/3gpps2011/TS/TS-3GA-25.419(Rel9)v9.1.0.pdf |

Release 10

| | | | | | |
|------|-----------------------------|--------|-----------|--------|---|
| ATIS | ATIS.3GPP.25.419V1020-2012 | 10.2.0 | Approved | Jul 12 | https://www.atis.org/docstore/default.aspx |
| CCSA | CCSA-TSD-DS-25.419 | 10.2.0 | Published | Jun 12 | http://www.ccsa.org.cn/english/tc/files.php?docpath=/ITU-R/M.1457/M.1457-12/DS |
| ETSI | ETSI TS 125 419 | 10.2.0 | Published | Apr 12 | http://www.etsi.org/deliver/etsi_ts/125400_125499/125419/10.02.00_60/ |
| TTA | TTAT.3G-25.419(R10-10.2.0) | 10.2.0 | Approved | Aug 12 | http://www.tta.or.kr/data/ttasDown.jsp?where=14688&pk_num=TTAT.3G-25.419(R10-10.2.0) |
| TTC | TS-3GA-25.419(Rel10)v10.2.0 | 10.2.0 | Approved | Dec 11 | http://www.ttc.or.jp/j/document_list/free/3gpps2011/TS/TS-3GA-25.419(Rel10)v10.2.0.pdf |

Release 11

| | | | | | |
|------|----------------------------|--------|-----------|--------|---|
| ATIS | ATIS.3GPP.25.419V1110-2014 | 11.1.0 | Approved | May 14 | https://www.atis.org/docstore/default.aspx |
| CCSA | CCSA-TSD-DS-25.419 | 11.1.0 | Published | Jun 14 | http://www.ccsa.org.cn/english/tc/files.php?docpath=/ITU-R/M.1457/M.1457-12/DS |

| | | | | | |
|------|-----------------------------|--------|-----------|--------|---|
| ETSI | ETSI TS 125 419 | 11.1.0 | Published | Apr 13 | http://www.etsi.org/deliver/etsi_ts/125400_125499/125419/11.01.00_60/ |
| TTA | TTAT.3G-25.419(R11-11.1.0) | 11.1.0 | published | Aug 14 | http://www.tta.or.kr/data/ttasDown.jsp?where=14688&pk_num=TTAT.3G-22.083(R11-11.0.0) |
| TTC | TS-3GA-25.419(Rel11)v11.1.0 | 11.1.0 | Approved | Jun 13 | http://www.ttc.or.jp/j/document_list/free/3gpps2013/TS/TS-3GA-25.419(Rel11)v11.1.0.pdf |

5.1.2.3.10 TS 25.420

UTRAN Iur interface general aspects and principles

This specification describes an introduction to the TSG RAN TS 25.42x series of technical specifications that define the Iur interface. It is a logical interface for the interconnection of two RNC components of the UTRAN.

| SDO (2) | Document No. | Version | Status | Issued date | Location (1) |
|-------------------|---------------------------|---------|-----------|-------------|---|
| Release 99 | | | | | |
| ARIB | ARIB STD-T63-25.420 | 3.5.0 | Approved | Jul 13 | http://www.arib.or.jp/english/html/overview/doc/STD-T63v10_00/2_T63/ARIB-STD-T63/R99/25/A25420-350.pdf |
| ATIS | T1.3GPP.25.420V350-2002 | 3.5.0 | Approved | May 02 | https://www.atis.org/docstore/default.aspx |
| CCSA | CCSA-TSD-DS-25.420 | 3.5.0 | Published | Apr 02 | http://www.ccsa.org.cn/english/tc/files.php?docpath=/ITU-R/M.1457/M.1457-12/DS |
| ETSI | ETSI TS 125 420 | 3.5.0 | Published | Apr 02 | http://www.etsi.org/deliver/etsi_ts/125400_125499/125420/03.05.00_60/ |
| TTA | TTAE.3G-25.420(R99-3.5.0) | 3.5.0 | Approved | May 02 | http://www.tta.or.kr/data/ttasDown.jsp?where=14688&pk_num=TTAE.3G-25.420(R99-3.5.0) |
| Release 4 | | | | | |
| ARIB | ARIB STD-T63-25.420 | 4.2.0 | Approved | Jul 13 | http://www.arib.or.jp/english/html/overview/doc/STD-T63v10_00/2_T63/ARIB-STD-T63/Rel4/25/A25420-420.pdf |
| ATIS | T1.3GPP.25.420V420-2002 | 4.2.0 | Approved | May 02 | https://www.atis.org/docstore/default.aspx |
| CCSA | CCSA-TSD-DS-25.420 | 4.2.0 | Published | Apr 02 | http://www.ccsa.org.cn/english/tc/files.php?docpath=/ITU-R/M.1457/M.1457-12/DS |
| ETSI | ETSI TS 125 420 | 4.2.0 | Published | Apr 02 | http://www.etsi.org/deliver/etsi_ts/125400_125499/125420/04.02.00_60/ |
| TTA | TTAE.3G-25.420(R4-4.2.0) | 4.2.0 | Approved | May 02 | http://www.tta.or.kr/data/ttasDown.jsp?where=14688&pk_num=TTAE.3G-25.420(R4-4.2.0) |
| Release 5 | | | | | |
| ARIB | ARIB STD-T63-25.420 | 5.3.0 | Approved | Jul 13 | http://www.arib.or.jp/english/html/overview/doc/STD-T63v10_00/2_T63/ARIB-STD-T63/Rel5/25/A25420-530.pdf |
| ATIS | ATIS.3GPP.25.420V530-2006 | 5.3.0 | Approved | Apr 06 | https://www.atis.org/docstore/default.aspx |
| CCSA | CCSA-TSD-DS-25.420 | 5.3.0 | Published | Jul 05 | http://www.ccsa.org.cn/english/tc/files.php?docpath=/ITU-R/M.1457/M.1457-12/DS |
| ETSI | ETSI TS 125 420 | 5.3.0 | Published | Jul 05 | http://www.etsi.org/deliver/etsi_ts/125400_125499/125420/05.03.00_60/ |
| TTA | TTAT.3G-25.420(R5-5.3.0) | 5.3.0 | Approved | Apr 06 | http://www.tta.or.kr/data/ttasDown.jsp?where=14688&pk_num=TTAT.3G-25.420(R5-5.3.0) |
| Release 6 | | | | | |
| ARIB | ARIB STD-T63-25.420 | 6.4.0 | Approved | Jul 13 | http://www.arib.or.jp/english/html/overview/doc/STD-T63v10_00/2_T63/ARIB-STD-T63/Rel6/25/A25420-640.pdf |
| ATIS | ATIS.3GPP.25.420V640-2006 | 6.4.0 | Approved | Apr 06 | https://www.atis.org/docstore/default.aspx |
| CCSA | CCSA-TSD-DS-25.420 | 6.4.0 | Published | Jul 05 | http://www.ccsa.org.cn/english/tc/files.php?docpath=/ITU-R/M.1457/M.1457-12/DS |
| ETSI | ETSI TS 125 420 | 6.4.0 | Published | Jul 05 | http://www.etsi.org/deliver/etsi_ts/125400_125499/125420/06.04.00_60/ |
| TTA | TTAT.3G-25.420(R6-6.4.0) | 6.4.0 | Approved | Apr 06 | http://www.tta.or.kr/data/ttasDown.jsp?where=14688&pk_num=TTAT.3G-25.420(R6-6.4.0) |
| Release 7 | | | | | |
| ARIB | ARIB STD-T63-25.420 | 7.3.0 | Approved | Jul 13 | http://www.arib.or.jp/english/html/overview/doc/STD-T63v10_00/2_T63/ARIB-STD-T63/Rel7/25/A25420-730.pdf |
| ATIS | ATIS.3GPP.25.420V730-2007 | 7.3.0 | Approved | Oct 07 | https://www.atis.org/docstore/default.aspx |
| CCSA | CCSA-TSD-DS-25.420 | 7.3.0 | Published | Mar 07 | http://www.ccsa.org.cn/english/tc/files.php?docpath=/ITU-R/M.1457/M.1457-12/DS |
| ETSI | ETSI TS 125 420 | 7.3.0 | Published | Mar 07 | http://www.etsi.org/deliver/etsi_ts/125400_125499/125420/07.03.00_60/ |
| TTA | TTAT.3G-25.420(R7-7.3.0) | 7.3.0 | Approved | Dec 07 | http://www.tta.or.kr/data/ttasDown.jsp?where=14688&pk_num=TTAT.3G-25.420(R7-7.3.0) |
| Release 8 | | | | | |

| | | | | | |
|-------------------|----------------------------|--------|-----------|--------|---|
| ARIB | ARIB STD-T63-25.420 | 8.1.0 | Approved | Jul 13 | http://www.arib.or.jp/english/html/overview/doc/STD-T63v10_00/2_T63/ARIB-STD-T63/Rel8/25/A25420-810.pdf |
| ATIS | ATIS.3GPP.25.420V810-2009 | 8.1.0 | Approved | Jul 09 | https://www.atis.org/docstore/default.aspx |
| CCSA | CCSA-TSD-DS-25.420 | 8.1.0 | Published | Apr 09 | http://www.ccsa.org.cn/english/tc/files.php?docpath=/ITU-R/M.1457/M.1457-12/DS |
| ETSI | ETSI TS 125 420 | 8.1.0 | Published | Apr 09 | http://www.etsi.org/deliver/etsi_ts/125400_125499/125420/08.01.00_60/ |
| TTA | TTAT.3G-25.420(R8-8.1.0) | 8.1.0 | Approved | Jul 09 | http://www.tta.or.kr/data/ttasDown.jsp?where=14688&pk_num=TTAT.3G-25.420(R8-8.1.0) |
| Release 9 | | | | | |
| ARIB | ARIB STD-T63-25.420 | 9.1.1 | Approved | Jul 13 | http://www.arib.or.jp/english/html/overview/doc/STD-T63v10_00/2_T63/ARIB-STD-T63/Rel9/25/A25420-911.pdf |
| ATIS | ATIS.3GPP.25.420V911-2012 | 9.1.1 | Approved | Jul 12 | https://www.atis.org/docstore/default.aspx |
| CCSA | CCSA-TSD-DS-25.420 | 9.1.1 | Published | Jun 12 | http://www.ccsa.org.cn/english/tc/files.php?docpath=/ITU-R/M.1457/M.1457-12/DS |
| ETSI | ETSI TS 125 420 | 9.1.1 | Published | Apr 11 | http://www.etsi.org/deliver/etsi_ts/125400_125499/125420/09.01.01_60/ |
| TTA | TTAT.3G-25.420(R9-9.0.0) | 9.0.0 | Approved | Jul 10 | http://www.tta.or.kr/data/ttasDown.jsp?where=14688&pk_num=TTAT.3G-25.420(R9-9.0.0) |
| Release 10 | | | | | |
| ARIB | ARIB STD-T63-25.420 | 10.1.0 | Approved | Jul 13 | http://www.arib.or.jp/english/html/overview/doc/STD-T63v10_00/2_T63/ARIB-STD-T63/Rel10/25/A25420-a10.pdf |
| ATIS | ATIS.3GPP.25.420V1010-2012 | 10.1.0 | Approved | Jul 12 | https://www.atis.org/docstore/default.aspx |
| CCSA | CCSA-TSD-DS-25.420 | 10.1.0 | Published | Jun 12 | http://www.ccsa.org.cn/english/tc/files.php?docpath=/ITU-R/M.1457/M.1457-12/DS |
| ETSI | ETSI TS 125 420 | 10.1.0 | Published | Jul 11 | http://www.etsi.org/deliver/etsi_ts/125400_125499/125420/10.01.00_60/ |
| TTA | TTAT.3G-25.420(R10-10.1.0) | 10.1.0 | Approved | Aug 12 | http://www.tta.or.kr/data/ttasDown.jsp?where=14688&pk_num=TTAT.3G-25.420(R10-10.1.0) |
| Release 11 | | | | | |
| ARIB | ARIB STD-T63-25.420 | 11.0.0 | Approved | Jul 13 | http://www.arib.or.jp/english/html/overview/doc/STD-T63v10_00/2_T63/ARIB-STD-T63/Rel11/25/A25420-b00.pdf |
| ATIS | ATIS.3GPP.25.420V1100-2014 | 11.0.0 | Approved | May 14 | https://www.atis.org/docstore/default.aspx |
| CCSA | CCSA-TSD-DS-25.420 | 11.0.0 | Published | Jun 14 | http://www.ccsa.org.cn/english/tc/files.php?docpath=/ITU-R/M.1457/M.1457-12/DS |
| ETSI | ETSI TS 125 420 | 11.0.0 | Published | Oct 12 | http://www.etsi.org/deliver/etsi_ts/125400_125499/125420/11.00.00_60/ |
| TTA | TTAT.3G-25.420(R11-11.0.0) | 11.0.0 | published | Aug 14 | http://www.tta.or.kr/data/ttasDown.jsp?where=14688&pk_num=TTAT.3G-22.084(R11-11.0.0) |

5.1.2.3.11 TS 25.421

UTRAN Iur interface layer 1

This specification describes the standards allowed to implement Layer 1 on the Iur interface. The specification of transmission delay requirements and O&M requirements are not in the scope of this specification.

| SDO (2) | Document No. | Version | Status | Issued date | Location (1) |
|-------------------|---------------------------|---------|-----------|-------------|---|
| Release 99 | | | | | |
| ARIB | ARIB STD-T63-25.421 | 3.1.0 | Approved | Jul 13 | http://www.arib.or.jp/english/html/overview/doc/STD-T63v10_00/2_T63/ARIB-STD-T63/R99/25/A25421-310.pdf |
| ATIS | T1.3GPP.25.421V310-2002 | 3.1.0 | Approved | May 02 | https://www.atis.org/docstore/default.aspx |
| CCSA | CCSA-TSD-DS-25.421 | 3.1.0 | Published | Apr 01 | http://www.ccsa.org.cn/english/tc/files.php?docpath=/ITU-R/M.1457/M.1457-12/DS |
| ETSI | ETSI TS 125 421 | 3.1.0 | Published | Apr 01 | http://www.etsi.org/deliver/etsi_ts/125400_125499/125421/03.01.00_60/ |
| TTA | TTAE.3G-25.421(R99-3.1.0) | 3.1.0 | Approved | May 02 | http://www.tta.or.kr/data/ttasDown.jsp?where=14688&pk_num=TTAE.3G-25.421(R99-3.1.0) |
| Release 4 | | | | | |
| ARIB | ARIB STD-T63-25.421 | 4.0.0 | Approved | Jul 13 | http://www.arib.or.jp/english/html/overview/doc/STD-T63v10_00/2_T63/ARIB-STD-T63/Rel4/25/A25421-400.pdf |
| ATIS | T1.3GPP.25.421V400-2002 | 4.0.0 | Approved | May 02 | https://www.atis.org/docstore/default.aspx |
| CCSA | CCSA-TSD-DS-25.421 | 4.0.0 | Published | Apr 01 | http://www.ccsa.org.cn/english/tc/files.php?docpath=/ITU-R/M.1457/M.1457-12/DS |
| ETSI | ETSI TS 125 421 | 4.0.0 | Published | Apr 01 | http://www.etsi.org/deliver/etsi_ts/125400_125499/125421/04.00.00_60/ |
| TTA | TTAE.3G-25.421(R4-4.0.0) | 4.0.0 | Approved | May 02 | http://www.tta.or.kr/data/ttasDown.jsp?where=14688&pk_num=TTAE.3G-25.421(R4-4.0.0) |

Release 5

| | | | | | |
|------|--------------------------|-------|-----------|--------|---|
| ARIB | ARIB STD-T63-25.421 | 5.0.0 | Approved | Jul 13 | http://www.arib.or.jp/english/html/overview/doc/STD-T63v10_00/2_T63/ARIB-STD-T63/Rel5/25/A25421-500.pdf |
| ATIS | T1.3GPP.25.421V500-2002 | 5.0.0 | Approved | May 02 | https://www.atis.org/docstore/default.aspx |
| CCSA | CCSA-TSD-DS-25.421 | 5.0.0 | Published | Apr 02 | http://www.ccsa.org.cn/english/tc/files.php?docpath=/ITU-R/M.1457/M.1457-12/DS |
| ETSI | ETSI TS 125 421 | 5.0.0 | Published | Apr 02 | http://www.etsi.org/deliver/etsi_ts/125400_125499/125421/05.00.00_60/ |
| TTA | TTAE.3G-25.421(R5-5.0.0) | 5.0.0 | Approved | May 02 | http://www.tta.or.kr/data/ttasDown.jsp?where=14688&pk_num=TTAE.3G-25.421(R5-5.0.0) |

Release 6

| | | | | | |
|------|--------------------------|-------|-----------|--------|---|
| ARIB | ARIB STD-T63-25.421 | 6.0.0 | Approved | Jul 13 | http://www.arib.or.jp/english/html/overview/doc/STD-T63v10_00/2_T63/ARIB-STD-T63/Rel6/25/A25421-600.pdf |
| ATIS | T1.3GPP.25.421V600-2004 | 6.0.0 | Approved | May 04 | https://www.atis.org/docstore/default.aspx |
| CCSA | CCSA-TSD-DS-25.421 | 6.0.0 | Published | Jan 04 | http://www.ccsa.org.cn/english/tc/files.php?docpath=/ITU-R/M.1457/M.1457-12/DS |
| ETSI | ETSI TS 125 421 | 6.0.0 | Published | Jan 04 | http://www.etsi.org/deliver/etsi_ts/125400_125499/125421/06.00.00_60/ |
| TTA | TTAT.3G-25.421(R6-6.0.0) | 6.0.0 | Approved | May 04 | http://www.tta.or.kr/data/ttasDown.jsp?where=14688&pk_num=TTAT.3G-25.421(R6-6.0.0) |

Release 7

| | | | | | |
|------|---------------------------|-------|-----------|--------|---|
| ARIB | ARIB STD-T63-25.421 | 7.0.0 | Approved | Jul 13 | http://www.arib.or.jp/english/html/overview/doc/STD-T63v10_00/2_T63/ARIB-STD-T63/Rel7/25/A25421-700.pdf |
| ATIS | ATIS.3GPP.25.421V700-2007 | 7.0.0 | Approved | Oct 07 | https://www.atis.org/docstore/default.aspx |
| CCSA | CCSA-TSD-DS-25.421 | 7.0.0 | Published | May 06 | http://www.ccsa.org.cn/english/tc/files.php?docpath=/ITU-R/M.1457/M.1457-12/DS |
| ETSI | ETSI TS 125 421 | 7.0.0 | Published | May 06 | http://www.etsi.org/deliver/etsi_ts/125400_125499/125421/07.00.00_60/ |
| TTA | TTAT.3G-25.421(R7-7.0.0) | 7.0.0 | Approved | Dec 07 | http://www.tta.or.kr/data/ttasDown.jsp?where=14688&pk_num=TTAT.3G-25.421(R7-7.0.0) |

Release 8

| | | | | | |
|------|---------------------------|-------|-----------|--------|---|
| ARIB | ARIB STD-T63-25.421 | 8.0.0 | Approved | Jul 13 | http://www.arib.or.jp/english/html/overview/doc/STD-T63v10_00/2_T63/ARIB-STD-T63/Rel8/25/A25421-800.pdf |
| ATIS | ATIS.3GPP.25.421V800-2009 | 8.0.0 | Approved | Jul 09 | https://www.atis.org/docstore/default.aspx |
| CCSA | CCSA-TSD-DS-25.421 | 8.0.0 | Published | Jan 09 | http://www.ccsa.org.cn/english/tc/files.php?docpath=/ITU-R/M.1457/M.1457-12/DS |
| ETSI | ETSI TS 125 421 | 8.0.0 | Published | Jan 09 | http://www.etsi.org/deliver/etsi_ts/125400_125499/125421/08.00.00_60/ |
| TTA | TTAT.3G-25.421(R8-8.0.0) | 8.0.0 | Approved | Jul 09 | http://www.tta.or.kr/data/ttasDown.jsp?where=14688&pk_num=TTAT.3G-25.421(R8-8.0.0) |

Release 9

| | | | | | |
|------|---------------------------|-------|-----------|--------|---|
| ARIB | ARIB STD-T63-25.421 | 9.0.1 | Approved | Jul 13 | http://www.arib.or.jp/english/html/overview/doc/STD-T63v10_00/2_T63/ARIB-STD-T63/Rel9/25/A25421-901.pdf |
| ATIS | ATIS.3GPP.25.421V901-2012 | 9.0.1 | Approved | Jul 12 | https://www.atis.org/docstore/default.aspx |
| CCSA | CCSA-TSD-DS-25.421 | 9.0.1 | Published | Jun 12 | http://www.ccsa.org.cn/english/tc/files.php?docpath=/ITU-R/M.1457/M.1457-12/DS |
| ETSI | ETSI TS 125 421 | 9.0.1 | Published | May 11 | http://www.etsi.org/deliver/etsi_ts/125400_125499/125421/09.00.01_60/ |
| TTA | TTAT.3G-25.421(R9-9.0.0) | 9.0.0 | Approved | Jul 10 | http://www.tta.or.kr/data/ttasDown.jsp?where=14688&pk_num=TTAT.3G-25.421(R9-9.0.0) |

Release 10

| | | | | | |
|------|----------------------------|--------|-----------|--------|---|
| ARIB | ARIB STD-T63-25.421 | 10.1.0 | Approved | Jul 13 | http://www.arib.or.jp/english/html/overview/doc/STD-T63v10_00/2_T63/ARIB-STD-T63/Rel10/25/A25421-a10.pdf |
| ATIS | ATIS.3GPP.25.421V1010-2012 | 10.1.0 | Approved | Jul 12 | https://www.atis.org/docstore/default.aspx |
| CCSA | CCSA-TSD-DS-25.421 | 10.1.0 | Published | Jun 12 | http://www.ccsa.org.cn/english/tc/files.php?docpath=/ITU-R/M.1457/M.1457-12/DS |
| ETSI | ETSI TS 125 421 | 10.1.0 | Published | Jul 11 | http://www.etsi.org/deliver/etsi_ts/125400_125499/125421/10.01.00_60/ |
| TTA | TTAT.3G-25.421(R10-10.1.0) | 10.1.0 | Approved | Aug 12 | http://www.tta.or.kr/data/ttasDown.jsp?where=14688&pk_num=TTAT.3G-25.421(R10-10.1.0) |

Release 11

| | | | | | |
|------|----------------------------|--------|-----------|--------|---|
| ARIB | ARIB STD-T63-25.421 | 11.0.0 | Approved | Jul 13 | http://www.arib.or.jp/english/html/overview/doc/STD-T63v10_00/2_T63/ARIB-STD-T63/Rel11/25/A25421-b00.pdf |
| ATIS | ATIS.3GPP.25.421V1100-2014 | 11.0.0 | Approved | May 14 | https://www.atis.org/docstore/default.aspx |
| CCSA | CCSA-TSD-DS-25.421 | 11.0.0 | Published | Jun 14 | http://www.ccsa.org.cn/english/tc/files.php?docpath=/ITU-R/M.1457/M.1457-12/DS |
| ETSI | ETSI TS 125 421 | 11.0.0 | Published | Oct 12 | http://www.etsi.org/deliver/etsi_ts/125400_125499/125421/11.00.00_60/ |
| TTA | TTAT.3G-25.421(R11-11.0.0) | 11.0.0 | published | Aug 14 | http://www.tta.or.kr/data/ttasDown.jsp?where=14688&pk_num=TTAT.3G-22.085(R11-11.0.0) |

5.1.2.3.12 TS 25.422

UTRAN Iur interface signalling transport

This specification describes the standards for Signalling Transport to be used across Iur Interface.

| SDO (2) | Document No. | Version | Status | Issued date | Location (1) |
|-------------------|---------------------------|---------|-----------|-------------|---|
| Release 99 | | | | | |
| ARIB | ARIB STD-T63-25.422 | 3.6.1 | Approved | Jul 13 | http://www.arib.or.jp/english/html/overview/doc/STD-T63v10_00/2_T63/ARIB-STD-T63/R99/25/A25422-361.pdf |
| ATIS | T1.3GPP.25.422V361-2002 | 3.6.1 | Approved | May 02 | https://www.atis.org/docstore/default.aspx |
| CCSA | CCSA-TSD-DS-25.422 | 3.6.1 | Published | Apr 02 | http://www.ccsa.org.cn/english/tc/files.php?docpath=/ITU-R/M.1457/M.1457-12/DS |
| ETSI | ETSI TS 125 422 | 3.6.1 | Published | Apr 02 | http://www.etsi.org/deliver/etsi_ts/125400_125499/125422/03.06.01_60/ |
| TTA | TTAT.3G-25.422(R99-3.6.1) | 3.6.1 | Approved | Mar 03 | http://www.tta.or.kr/data/ttasDown.jsp?where=14688&pk_num=TTAT.3G-25.422(R99-3.6.1) |
| Release 4 | | | | | |
| ARIB | ARIB STD-T63-25.422 | 4.2.0 | Approved | Jul 13 | http://www.arib.or.jp/english/html/overview/doc/STD-T63v10_00/2_T63/ARIB-STD-T63/Rel4/25/A25422-420.pdf |
| ATIS | T1.3GPP.25.422V420-2003 | 4.2.0 | Approved | Mar 03 | https://www.atis.org/docstore/default.aspx |
| CCSA | CCSA-TSD-DS-25.422 | 4.2.0 | Published | Oct 02 | http://www.ccsa.org.cn/english/tc/files.php?docpath=/ITU-R/M.1457/M.1457-12/DS |
| ETSI | ETSI TS 125 422 | 4.2.0 | Published | Oct 02 | http://www.etsi.org/deliver/etsi_ts/125400_125499/125422/04.02.00_60/ |
| TTA | TTAT.3G-25.422(R4-4.2.0) | 4.2.0 | Approved | Mar 03 | http://www.tta.or.kr/data/ttasDown.jsp?where=14688&pk_num=TTAT.3G-25.422(R4-4.2.0) |
| Release 5 | | | | | |
| ARIB | ARIB STD-T63-25.422 | 5.1.0 | Approved | Jul 13 | http://www.arib.or.jp/english/html/overview/doc/STD-T63v10_00/2_T63/ARIB-STD-T63/Rel5/25/A25422-510.pdf |
| ATIS | T1.3GPP.25.422V510-2003 | 5.1.0 | Approved | Mar 03 | https://www.atis.org/docstore/default.aspx |
| CCSA | CCSA-TSD-DS-25.422 | 5.1.0 | Published | Oct 02 | http://www.ccsa.org.cn/english/tc/files.php?docpath=/ITU-R/M.1457/M.1457-12/DS |
| ETSI | ETSI TS 125 422 | 5.1.0 | Published | Oct 02 | http://www.etsi.org/deliver/etsi_ts/125400_125499/125422/05.01.00_60/ |
| TTA | TTAT.3G-25.422(R5-5.1.0)) | 5.1.0 | Approved | Mar 03 | http://www.tta.or.kr/data/ttasDown.jsp?where=14688&pk_num=TTAT.3G-25.422(R5-5.1.0)) |
| Release 6 | | | | | |
| ARIB | ARIB STD-T63-25.422 | 6.2.0 | Approved | Jul 13 | http://www.arib.or.jp/english/html/overview/doc/STD-T63v10_00/2_T63/ARIB-STD-T63/Rel6/25/A25422-620.pdf |
| ATIS | ATIS.3GPP.25.422V620-2006 | 6.2.0 | Approved | Apr 06 | https://www.atis.org/docstore/default.aspx |
| CCSA | CCSA-TSD-DS-25.422 | 6.2.0 | Published | Jan 06 | http://www.ccsa.org.cn/english/tc/files.php?docpath=/ITU-R/M.1457/M.1457-12/DS |
| ETSI | ETSI TS 125 422 | 6.2.0 | Published | Jan 06 | http://www.etsi.org/deliver/etsi_ts/125400_125499/125422/06.02.00_60/ |
| TTA | TTAT.3G-25.422(R6-6.2.0) | 6.2.0 | Approved | Apr 06 | http://www.tta.or.kr/data/ttasDown.jsp?where=14688&pk_num=TTAT.3G-25.422(R6-6.2.0) |
| Release 7 | | | | | |
| ARIB | ARIB STD-T63-25.422 | 7.1.0 | Approved | Jul 13 | http://www.arib.or.jp/english/html/overview/doc/STD-T63v10_00/2_T63/ARIB-STD-T63/Rel7/25/A25422-710.pdf |
| ATIS | ATIS.3GPP.25.422V710-2007 | 7.1.0 | Approved | Oct 07 | https://www.atis.org/docstore/default.aspx |
| CCSA | CCSA-TSD-DS-25.422 | 7.1.0 | Published | Oct 07 | http://www.ccsa.org.cn/english/tc/files.php?docpath=/ITU-R/M.1457/M.1457-12/DS |
| ETSI | ETSI TS 125 422 | 7.1.0 | Published | Oct 07 | http://www.etsi.org/deliver/etsi_ts/125400_125499/125422/07.01.00_60/ |
| TTA | TTAT.3G-25.422(R7-7.1.0) | 7.1.0 | Approved | Dec 07 | http://www.tta.or.kr/data/ttasDown.jsp?where=14688&pk_num=TTAT.3G-25.422(R7-7.1.0) |
| Release 8 | | | | | |
| ARIB | ARIB STD-T63-25.422 | 8.0.0 | Approved | Jul 13 | http://www.arib.or.jp/english/html/overview/doc/STD-T63v10_00/2_T63/ARIB-STD-T63/Rel8/25/A25422-800.pdf |
| ATIS | ATIS.3GPP.25.422V800-2009 | 8.0.0 | Approved | Jul 09 | https://www.atis.org/docstore/default.aspx |
| CCSA | CCSA-TSD-DS-25.422 | 8.0.0 | Published | Jan 09 | http://www.ccsa.org.cn/english/tc/files.php?docpath=/ITU-R/M.1457/M.1457-12/DS |
| ETSI | ETSI TS 125 422 | 8.0.0 | Published | Jan 09 | http://www.etsi.org/deliver/etsi_ts/125400_125499/125422/08.00.00_60/ |
| TTA | TTAT.3G-25.422(R8-8.0.0) | 8.0.0 | Approved | Jul 09 | http://www.tta.or.kr/data/ttasDown.jsp?where=14688&pk_num=TTAT.3G-25.422(R8-8.0.0) |
| Release 9 | | | | | |
| ARIB | ARIB STD-T63-25.422 | 9.0.1 | Approved | Jul 13 | http://www.arib.or.jp/english/html/overview/doc/STD-T63v10_00/2_T63/ARIB-STD-T63/Rel9/25/A25422-901.pdf |

| | | | | | |
|-------------------|----------------------------|--------|-----------|--------|---|
| ATIS | ATIS.3GPP.25.422V901-2012 | 9.0.1 | Approved | Jul 12 | https://www.atis.org/docstore/default.aspx |
| CCSA | CCSA-TSD-DS-25.422 | 9.0.1 | Published | Jun 12 | http://www.ccsa.org.cn/english/tc/files.php?docpath=/ITU-R/M.1457/M.1457-12/DS |
| ETSI | ETSI TS 125 422 | 9.0.1 | Published | Apr 11 | http://www.etsi.org/deliver/etsi_ts/125400_125499/125422/09.00.01_60/ |
| TTA | TTAT.3G-25.422(R9-9.0.0) | 9.0.0 | Approved | Jul 10 | http://www.tta.or.kr/data/ttasDown.jsp?where=14688&pk_num=TTAT.3G-25.422(R9-9.0.0) |
| Release 10 | | | | | |
| ARIB | ARIB STD-T63-25.422 | 10.1.0 | Approved | Jul 13 | http://www.arib.or.jp/english/html/overview/doc/STD-T63v10_00/2_T63/ARIB-STD-T63/Rel10/25/A25422-a10.pdf |
| ATIS | ATIS.3GPP.25.422V1010-2012 | 10.1.0 | Approved | Jul 12 | https://www.atis.org/docstore/default.aspx |
| CCSA | CCSA-TSD-DS-25.422 | 10.1.0 | Published | Jun 12 | http://www.ccsa.org.cn/english/tc/files.php?docpath=/ITU-R/M.1457/M.1457-12/DS |
| ETSI | ETSI TS 125 422 | 10.1.0 | Published | Jul 11 | http://www.etsi.org/deliver/etsi_ts/125400_125499/125422/10.01.00_60/ |
| TTA | TTAT.3G-25.422(R10-10.1.0) | 10.1.0 | Approved | Aug 12 | http://www.tta.or.kr/data/ttasDown.jsp?where=14688&pk_num=TTAT.3G-25.422(R10-10.1.0) |
| Release 11 | | | | | |
| ARIB | ARIB STD-T63-25.422 | 11.0.0 | Approved | Jul 13 | http://www.arib.or.jp/english/html/overview/doc/STD-T63v10_00/2_T63/ARIB-STD-T63/Rel11/25/A25422-b00.pdf |
| ATIS | ATIS.3GPP.25.422V1100-2014 | 11.0.0 | Approved | May 14 | https://www.atis.org/docstore/default.aspx |
| CCSA | CCSA-TSD-DS-25.422 | 11.0.0 | Published | Jun 14 | http://www.ccsa.org.cn/english/tc/files.php?docpath=/ITU-R/M.1457/M.1457-12/DS |
| ETSI | ETSI TS 125 422 | 11.0.0 | Published | Oct 12 | http://www.etsi.org/deliver/etsi_ts/125400_125499/125422/11.00.00_60/ |
| TTA | TTAT.3G-25.422(R11-11.0.0) | 11.0.0 | published | Aug 14 | http://www.tta.or.kr/data/ttasDown.jsp?where=14688&pk_num=TTAT.3G-22.086(R11-11.0.0) |

5.1.2.3.13 TS 25.423

UTRAN Iur interface Radio Network Subsystem Application Part (RNSAP) signalling

This specification describes the radio network layer signalling procedures between RNCs in UTRAN.

| SDO (2) | Document No. | Version | Status | Issued date | Location (1) |
|-------------------|----------------------------|---------|-----------|-------------|---|
| Release 99 | | | | | |
| ARIB | ARIB STD-T63-25.423 | 3.14.2 | Approved | Jul 13 | http://www.arib.or.jp/english/html/overview/doc/STD-T63v10_00/2_T63/ARIB-STD-T63/R99/25/A25423-3e2.pdf |
| ATIS | ATIS.3GPP.25.423V3142-2005 | 3.14.2 | Approved | Apr 05 | https://www.atis.org/docstore/default.aspx |
| CCSA | CCSA-TSD-DS-25.423 | 3.14.2 | Published | Jul 04 | http://www.ccsa.org.cn/english/tc/files.php?docpath=/ITU-R/M.1457/M.1457-12/DS |
| ETSI | ETSI TS 125 423 | 3.14.2 | Published | Jul 04 | http://www.etsi.org/deliver/etsi_ts/125400_125499/125423/03.14.02_60/ |
| TTA | TTAT.3G-25.423(R99-3.14.2) | 3.14.2 | Approved | May 05 | http://www.tta.or.kr/data/ttasDown.jsp?where=14688&pk_num=TTAT.3G-25.423(R99-3.14.2) |
| Release 4 | | | | | |
| ARIB | ARIB STD-T63-25.423 | 4.13.0 | Approved | Jul 13 | http://www.arib.or.jp/english/html/overview/doc/STD-T63v10_00/2_T63/ARIB-STD-T63/Rel4/25/A25423-4d0.pdf |
| ATIS | ATIS.3GPP.25.423V4130-2006 | 4.13.0 | Approved | Apr 06 | https://www.atis.org/docstore/default.aspx |
| CCSA | CCSA-TSD-DS-25.423 | 4.13.0 | Published | Jan 06 | http://www.ccsa.org.cn/english/tc/files.php?docpath=/ITU-R/M.1457/M.1457-12/DS |
| ETSI | ETSI TS 125 423 | 4.13.0 | Published | Jan 06 | http://www.etsi.org/deliver/etsi_ts/125400_125499/125423/04.13.00_60/ |
| TTA | TTAT.3G-25.423(R4-4.13.0) | 4.13.0 | Approved | Apr 06 | http://www.tta.or.kr/data/ttasDown.jsp?where=14688&pk_num=TTAT.3G-25.423(R4-4.13.0) |
| Release 5 | | | | | |
| ARIB | ARIB STD-T63-25.423 | 5.17.0 | Approved | Jul 13 | http://www.arib.or.jp/english/html/overview/doc/STD-T63v10_00/2_T63/ARIB-STD-T63/Rel5/25/A25423-5h0.pdf |
| ATIS | ATIS.3GPP.25.423V5170-2007 | 5.17.0 | Approved | Oct 07 | https://www.atis.org/docstore/default.aspx |
| CCSA | CCSA-TSD-DS-25.423 | 5.17.0 | Published | May 06 | http://www.ccsa.org.cn/english/tc/files.php?docpath=/ITU-R/M.1457/M.1457-12/DS |
| ETSI | ETSI TS 125 423 | 5.17.0 | Published | May 06 | http://www.etsi.org/deliver/etsi_ts/125400_125499/125423/05.17.00_60/ |
| TTA | TTAT.3G-25.423(R5-5.17.0) | 5.17.0 | Approved | Dec 07 | http://www.tta.or.kr/data/ttasDown.jsp?where=14688&pk_num=TTAT.3G-25.423(R5-5.17.0) |
| Release 6 | | | | | |
| ARIB | ARIB STD-T63-25.423 | 6.17.0 | Approved | Jul 13 | http://www.arib.or.jp/english/html/overview/doc/STD-T63v10_00/2_T63/ARIB-STD-T63/Rel6/25/A25423-6h0.pdf |

| | | | | | |
|-------------------|----------------------------|--------|-----------|--------|---|
| ATIS | ATIS.3GPP.25.423V6170-2008 | 6.17.0 | Approved | Oct 08 | https://www.atis.org/docstore/default.aspx |
| CCSA | CCSA-TSD-DS-25.423 | 6.17.0 | Published | Jul 08 | http://www.ccsa.org.cn/english/tc/files.php?docpath=/ITU-R/M.1457/M.1457-12/DS |
| ETSI | ETSI TS 125 423 | 6.17.0 | Published | Jul 08 | http://www.etsi.org/deliver/etsi_ts/125400_125499/125423/06.17.00_60/ |
| TTA | TTAT.3G-25.423(R6-6.17.0) | 6.17.0 | Approved | Oct 08 | http://www.tta.or.kr/data/ttasDown.jsp?where=14688&pk_num=TTAT.3G-25.423(R6-6.17.0) |
| Release 7 | | | | | |
| ARIB | ARIB STD-T63-25.423 | 7.16.0 | Approved | Jul 13 | http://www.arib.or.jp/english/html/overview/doc/STD-T63v10_00/2_T63/ARIB-STD-T63/Rel7/25/A25423-7g0.pdf |
| ATIS | ATIS.3GPP.25.423V7160-2010 | 7.16.0 | Approved | Jul 10 | https://www.atis.org/docstore/default.aspx |
| CCSA | CCSA-TSD-DS-25.423 | 7.16.0 | Published | Jun 12 | http://www.ccsa.org.cn/english/tc/files.php?docpath=/ITU-R/M.1457/M.1457-12/DS |
| ETSI | ETSI TS 125 423 | 7.16.0 | Published | Apr 10 | http://www.etsi.org/deliver/etsi_ts/125400_125499/125423/07.16.00_60/ |
| TTA | TTAT.3G-25.423(R7-7.12.0) | 7.12.0 | Approved | Jul 09 | http://www.tta.or.kr/data/ttasDown.jsp?where=14688&pk_num=TTAT.3G-25.423(R7-7.12.0) |
| Release 8 | | | | | |
| ARIB | ARIB STD-T63-25.423 | 8.13.0 | Approved | Jul 13 | http://www.arib.or.jp/english/html/overview/doc/STD-T63v10_00/2_T63/ARIB-STD-T63/Rel8/25/A25423-8d0.pdf |
| ATIS | ATIS.3GPP.25.423V8130-2014 | 8.13.0 | Approved | May 14 | https://www.atis.org/docstore/default.aspx |
| CCSA | CCSA-TSD-DS-25.423 | 8.12.0 | Published | Jun 12 | http://www.ccsa.org.cn/english/tc/files.php?docpath=/ITU-R/M.1457/M.1457-12/DS |
| ETSI | ETSI TS 125 423 | 8.13.0 | Published | Apr 12 | http://www.etsi.org/deliver/etsi_ts/125400_125499/125423/08.13.00_60/ |
| TTA | TTAT.3G-25.423(R8-8.4.0) | 8.4.0 | Approved | Jul 09 | http://www.tta.or.kr/data/ttasDown.jsp?where=14688&pk_num=TTAT.3G-25.423(R8-8.4.0) |
| Release 9 | | | | | |
| ARIB | ARIB STD-T63-25.423 | 9.9.0 | Approved | Jul 13 | http://www.arib.or.jp/english/html/overview/doc/STD-T63v10_00/2_T63/ARIB-STD-T63/Rel9/25/A25423-990.pdf |
| ATIS | ATIS.3GPP.25.423V990-2014 | 9.9.0 | Approved | May 14 | https://www.atis.org/docstore/default.aspx |
| CCSA | CCSA-TSD-DS-25.423 | 9.8.0 | Published | Jun 12 | http://www.ccsa.org.cn/english/tc/files.php?docpath=/ITU-R/M.1457/M.1457-12/DS |
| ETSI | ETSI TS 125 423 | 9.9.0 | Published | Apr 12 | http://www.etsi.org/deliver/etsi_ts/125400_125499/125423/09.09.00_60/ |
| TTA | TTAT.3G-25.423(R9-9.2.3) | 9.2.3 | Approved | Jul 10 | http://www.tta.or.kr/data/ttasDown.jsp?where=14688&pk_num=TTAT.3G-25.423(R9-9.2.3) |
| Release 10 | | | | | |
| ARIB | ARIB STD-T63-25.423 | 10.9.0 | Approved | Jul 13 | http://www.arib.or.jp/english/html/overview/doc/STD-T63v10_00/2_T63/ARIB-STD-T63/Rel10/25/A25423-a90.pdf |
| ATIS | ATIS.3GPP.25.423V1090-2014 | 10.9.0 | Approved | May 14 | https://www.atis.org/docstore/default.aspx |
| CCSA | CCSA-TSD-DS-25.423 | 10.5.0 | Published | Jun 12 | http://www.ccsa.org.cn/english/tc/files.php?docpath=/ITU-R/M.1457/M.1457-12/DS |
| ETSI | ETSI TS 125 423 | 10.9.0 | Published | Apr 13 | http://www.etsi.org/deliver/etsi_ts/125400_125499/125423/10.09.00_60/ |
| TTA | TTAT.3G-25.423(R10-10.6.0) | 10.6.0 | Approved | Aug 12 | http://www.tta.or.kr/data/ttasDown.jsp?where=14688&pk_num=TTAT.3G-25.423(R10-10.6.0) |
| Release 11 | | | | | |
| ARIB | ARIB STD-T63-25.423 | 11.5.0 | Approved | Jul 13 | http://www.arib.or.jp/english/html/overview/doc/STD-T63v10_00/2_T63/ARIB-STD-T63/Rel11/25/A25423-b50.pdf |
| ATIS | ATIS.3GPP.25.423V1150-2014 | 11.5.0 | Approved | May 14 | https://www.atis.org/docstore/default.aspx |
| CCSA | CCSA-TSD-DS-25.423 | 11.7.0 | Published | Jun 14 | http://www.ccsa.org.cn/english/tc/files.php?docpath=/ITU-R/M.1457/M.1457-12/DS |
| ETSI | ETSI TS 125 423 | 11.5.0 | Published | Apr 13 | http://www.etsi.org/deliver/etsi_ts/125400_125499/125423/11.05.00_60/ |
| TTA | TTAT.3G-25.423(R11-11.5.0) | 11.5.0 | published | Aug 14 | http://www.tta.or.kr/data/ttasDown.jsp?where=14688&pk_num=TTAT.3G-22.087(R11-11.0.0) |

5.1.2.3.14 TS 25.424

UTRAN Iur interface data transport & transport signalling for Common Transport Channel data streams

This specification describes the UTRAN RNS-RNS (Iur) interface data transport and transport signalling for common transport channel data streams.

| SDO (2) | Document No. | Version | Status | Issued date | Location (1) |
|-------------------|-------------------------|---------|----------|-------------|---|
| Release 99 | | | | | |
| ARIB | ARIB STD-T63-25.424 | 3.9.0 | Approved | Jul 13 | http://www.arib.or.jp/english/html/overview/doc/STD-T63v10_00/2_T63/ARIB-STD-T63/R99/25/A25424-390.pdf |
| ATIS | T1.3GPP.25.424V390-2003 | 3.9.0 | Approved | Mar 03 | https://www.atis.org/docstore/default.aspx |

| | | | | | |
|-------------------|----------------------------|--------|-----------|--------|---|
| CCSA | CCSA-TSD-DS-25.424 | 3.9.0 | Published | Jul 02 | http://www.ccsa.org.cn/english/tc/files.php?docpath=/ITU-R/M.1457/M.1457-12/DS |
| ETSI | ETSI TS 125 424 | 3.9.0 | Published | Jul 02 | http://www.etsi.org/deliver/etsi_ts/125400_125499/125424/03.09.00_60/ |
| TTA | TTAT.3G-25.424(R99-3.9.0) | 3.9.0 | Approved | Mar 03 | http://www.tta.or.kr/data/ttasDown.jsp?where=14688&pk_num=TTAT.3G-25.424(R99-3.9.0) |
| Release 4 | | | | | |
| ARIB | ARIB STD-T63-25.424 | 4.3.0 | Approved | Jul 13 | http://www.arib.or.jp/english/html/overview/doc/STD-T63v10_00/2_T63/ARIB-STD-T63/Rel4/25/A25424-430.pdf |
| ATIS | T1.3GPP.25.424V430-2003 | 4.3.0 | Approved | Mar 03 | https://www.atis.org/docstore/default.aspx |
| CCSA | CCSA-TSD-DS-25.424 | 4.3.0 | Published | Jul 02 | http://www.ccsa.org.cn/english/tc/files.php?docpath=/ITU-R/M.1457/M.1457-12/DS |
| ETSI | ETSI TS 125 424 | 4.3.0 | Published | Jul 02 | http://www.etsi.org/deliver/etsi_ts/125400_125499/125424/04.03.00_60/ |
| TTA | TTAT.3G-25.424(R4-4.3.0) | 4.3.0 | Approved | Mar 03 | http://www.tta.or.kr/data/ttasDown.jsp?where=14688&pk_num=TTAT.3G-25.424(R4-4.3.0) |
| Release 5 | | | | | |
| ARIB | ARIB STD-T63-25.424 | 5.6.0 | Approved | Jul 13 | http://www.arib.or.jp/english/html/overview/doc/STD-T63v10_00/2_T63/ARIB-STD-T63/Rel5/25/A25424-560.pdf |
| ATIS | ATIS.3GPP.25.424V560-2006 | 5.6.0 | Approved | Apr 06 | https://www.atis.org/docstore/default.aspx |
| CCSA | CCSA-TSD-DS-25.424 | 5.6.0 | Published | Oct 05 | http://www.ccsa.org.cn/english/tc/files.php?docpath=/ITU-R/M.1457/M.1457-12/DS |
| ETSI | ETSI TS 125 424 | 5.6.0 | Published | Oct 05 | http://www.etsi.org/deliver/etsi_ts/125400_125499/125424/05.06.00_60/ |
| TTA | TTAT.3G-25.424(R5-5.6.0) | 5.6.0 | Approved | Apr 06 | http://www.tta.or.kr/data/ttasDown.jsp?where=14688&pk_num=TTAT.3G-25.424(R5-5.6.0) |
| Release 6 | | | | | |
| ARIB | ARIB STD-T63-25.424 | 6.3.0 | Approved | Jul 13 | http://www.arib.or.jp/english/html/overview/doc/STD-T63v10_00/2_T63/ARIB-STD-T63/Rel6/25/A25424-630.pdf |
| ATIS | ATIS.3GPP.25.424V630-2006 | 6.3.0 | Approved | Apr 06 | https://www.atis.org/docstore/default.aspx |
| CCSA | CCSA-TSD-DS-25.424 | 6.3.0 | Published | Oct 05 | http://www.ccsa.org.cn/english/tc/files.php?docpath=/ITU-R/M.1457/M.1457-12/DS |
| ETSI | ETSI TS 125 424 | 6.3.0 | Published | Oct 05 | http://www.etsi.org/deliver/etsi_ts/125400_125499/125424/06.03.00_60/ |
| TTA | TTAT.3G-25.424(R6-6.3.0) | 6.3.0 | Approved | Apr 06 | http://www.tta.or.kr/data/ttasDown.jsp?where=14688&pk_num=TTAT.3G-25.424(R6-6.3.0) |
| Release 7 | | | | | |
| ARIB | ARIB STD-T63-25.424 | 7.1.0 | Approved | Jul 13 | http://www.arib.or.jp/english/html/overview/doc/STD-T63v10_00/2_T63/ARIB-STD-T63/Rel7/25/A25424-710.pdf |
| ATIS | ATIS.3GPP.25.424V710-2007 | 7.1.0 | Approved | Oct 07 | https://www.atis.org/docstore/default.aspx |
| CCSA | CCSA-TSD-DS-25.424 | 7.1.0 | Published | Jan 07 | http://www.ccsa.org.cn/english/tc/files.php?docpath=/ITU-R/M.1457/M.1457-12/DS |
| ETSI | ETSI TS 125 424 | 7.1.0 | Published | Jan 07 | http://www.etsi.org/deliver/etsi_ts/125400_125499/125424/07.01.00_60/ |
| TTA | TTAT.3G-25.424(R7-7.1.0) | 7.1.0 | Approved | Dec 07 | http://www.tta.or.kr/data/ttasDown.jsp?where=14688&pk_num=TTAT.3G-25.424(R7-7.1.0) |
| Release 8 | | | | | |
| ARIB | ARIB STD-T63-25.424 | 8.0.0 | Approved | Jul 13 | http://www.arib.or.jp/english/html/overview/doc/STD-T63v10_00/2_T63/ARIB-STD-T63/Rel8/25/A25424-800.pdf |
| ATIS | ATIS.3GPP.25.424V800-2009 | 8.0.0 | Approved | Jul 09 | https://www.atis.org/docstore/default.aspx |
| CCSA | CCSA-TSD-DS-25.424 | 8.0.0 | Published | Jan 09 | http://www.ccsa.org.cn/english/tc/files.php?docpath=/ITU-R/M.1457/M.1457-12/DS |
| ETSI | ETSI TS 125 424 | 8.0.0 | Published | Jan 09 | http://www.etsi.org/deliver/etsi_ts/125400_125499/125424/08.00.00_60/ |
| TTA | TTAT.3G-25.424(R8-8.0.0) | 8.0.0 | Approved | Jul 09 | http://www.tta.or.kr/data/ttasDown.jsp?where=14688&pk_num=TTAT.3G-25.424(R8-8.0.0) |
| Release 9 | | | | | |
| ARIB | ARIB STD-T63-25.424 | 9.0.1 | Approved | Jul 13 | http://www.arib.or.jp/english/html/overview/doc/STD-T63v10_00/2_T63/ARIB-STD-T63/Rel9/25/A25424-901.pdf |
| ATIS | ATIS.3GPP.25.424V901-2012 | 9.0.1 | Approved | Jul 12 | https://www.atis.org/docstore/default.aspx |
| CCSA | CCSA-TSD-DS-25.424 | 9.0.1 | Published | Jun 12 | http://www.ccsa.org.cn/english/tc/files.php?docpath=/ITU-R/M.1457/M.1457-12/DS |
| ETSI | ETSI TS 125 424 | 9.0.1 | Published | Apr 11 | http://www.etsi.org/deliver/etsi_ts/125400_125499/125424/09.00.01_60/ |
| TTA | TTAT.3G-25.424(R9-9.0.0) | 9.0.0 | Approved | Jul 10 | http://www.tta.or.kr/data/ttasDown.jsp?where=14688&pk_num=TTAT.3G-25.424(R9-9.0.0) |
| Release 10 | | | | | |
| ARIB | ARIB STD-T63-25.424 | 10.1.0 | Approved | Jul 13 | http://www.arib.or.jp/english/html/overview/doc/STD-T63v10_00/2_T63/ARIB-STD-T63/Rel10/25/A25424-a10.pdf |
| ATIS | ATIS.3GPP.25.424V1010-2012 | 10.1.0 | Approved | Jul 12 | https://www.atis.org/docstore/default.aspx |
| CCSA | CCSA-TSD-DS-25.424 | 10.1.0 | Published | Jun 12 | http://www.ccsa.org.cn/english/tc/files.php?docpath=/ITU-R/M.1457/M.1457-12/DS |
| ETSI | ETSI TS 125 424 | 10.1.0 | Published | Jul 11 | http://www.etsi.org/deliver/etsi_ts/125400_125499/125424/10.01.00_60/ |

| | | | | | |
|-------------------|----------------------------|--------|-----------|--------|---|
| TTA | TTAT.3G-25.424(R10-10.1.0) | 10.1.0 | Approved | Aug 12 | http://www.tta.or.kr/data/ttasDown.jsp?where=14688&pk_num=TTAT.3G-25.424(R10-10.1.0) |
| Release 11 | | | | | |
| ARIB | ARIB STD-T63-25.424 | 11.0.0 | Approved | Jul 13 | http://www.arib.or.jp/english/html/overview/doc/STD-T63v10_00/2_T63/ARIB-STD-T63/Rel11/25/A25424-b00.pdf |
| ATIS | ATIS.3GPP.25.424V1100-2014 | 11.0.0 | Approved | May 14 | https://www.atis.org/docstore/default.aspx |
| CCSA | CCSA-TSD-DS-25.424 | 11.0.0 | Published | Jun 14 | http://www.ccsa.org.cn/english/tc/files.php?docpath=/ITU-R/M.1457/M.1457-12/DS |
| ETSI | ETSI TS 125 424 | 11.0.0 | Published | Oct 12 | http://www.etsi.org/deliver/etsi_ts/125400_125499/125424/11.00.00_60/ |
| TTA | TTAT.3G-25.424(R11-11.0.0) | 11.0.0 | published | Aug 14 | http://www.tta.or.kr/data/ttasDown.jsp?where=14688&pk_num=TTAT.3G-22.088(R11-11.0.0) |

5.1.2.3.15 TS 25.425

UTRAN Iur interface user plane protocols for Common Transport Channel data streams

This specification describes the UTRAN RNS-RNS (Iur) interface user plane protocols for common transport channel data streams.

| SDO (2) | Document No. | Version | Status | Issued date | Location (1) |
|-------------------|----------------------------|---------|-----------|-------------|---|
| Release 99 | | | | | |
| ARIB | ARIB STD-T63-25.425 | 3.8.0 | Approved | Jul 13 | http://www.arib.or.jp/english/html/overview/doc/STD-T63v10_00/2_T63/ARIB-STD-T63/R99/25/A25425-380.pdf |
| ATIS | T1.3GPP.25.425V380-2004 | 3.8.0 | Approved | May 04 | https://www.atis.org/docstore/default.aspx |
| CCSA | CCSA-TSD-DS-25.425 | 3.8.0 | Published | Jan 04 | http://www.ccsa.org.cn/english/tc/files.php?docpath=/ITU-R/M.1457/M.1457-12/DS |
| ETSI | ETSI TS 125 425 | 3.8.0 | Published | Jan 04 | http://www.etsi.org/deliver/etsi_ts/125400_125499/125425/03.08.00_60/ |
| TTA | TTAT.3G-25.425(R99-3.8.0) | 3.8.0 | Approved | May 04 | http://www.tta.or.kr/data/ttasDown.jsp?where=14688&pk_num=TTAT.3G-25.425(R99-3.8.0) |
| Release 4 | | | | | |
| ARIB | ARIB STD-T63-25.425 | 4.4.0 | Approved | Jul 13 | http://www.arib.or.jp/english/html/overview/doc/STD-T63v10_00/2_T63/ARIB-STD-T63/Rel4/25/A25425-440.pdf |
| ATIS | T1.3GPP.25.425V440-2004 | 4.4.0 | Approved | May 04 | https://www.atis.org/docstore/default.aspx |
| CCSA | CCSA-TSD-DS-25.425 | 4.4.0 | Published | Jan 04 | http://www.ccsa.org.cn/english/tc/files.php?docpath=/ITU-R/M.1457/M.1457-12/DS |
| ETSI | ETSI TS 125 425 | 4.4.0 | Published | Jan 04 | http://www.etsi.org/deliver/etsi_ts/125400_125499/125425/04.04.00_60/ |
| TTA | TTAT.3G-25.425(R4-4.4.0) | 4.4.0 | Approved | May 04 | http://www.tta.or.kr/data/ttasDown.jsp?where=14688&pk_num=TTAT.3G-25.425(R4-4.4.0) |
| Release 5 | | | | | |
| ARIB | ARIB STD-T63-25.425 | 5.8.0 | Approved | Jul 13 | http://www.arib.or.jp/english/html/overview/doc/STD-T63v10_00/2_T63/ARIB-STD-T63/Rel5/25/A25425-580.pdf |
| ATIS | ATIS.3GPP.25.425V580-2006 | 5.8.0 | Approved | Apr 06 | https://www.atis.org/docstore/default.aspx |
| CCSA | CCSA-TSD-DS-25.425 | 5.8.0 | Published | Jul 05 | http://www.ccsa.org.cn/english/tc/files.php?docpath=/ITU-R/M.1457/M.1457-12/DS |
| ETSI | ETSI TS 125 425 | 5.8.0 | Published | Jul 05 | http://www.etsi.org/deliver/etsi_ts/125400_125499/125425/05.08.00_60/ |
| TTA | TTAT.3G-25.425(R5-5.8.0) | 5.8.0 | Approved | Apr 06 | http://www.tta.or.kr/data/ttasDown.jsp?where=14688&pk_num=TTAT.3G-25.425(R5-5.8.0) |
| Release 6 | | | | | |
| ARIB | ARIB STD-T63-25.425 | 6.6.0 | Approved | Jul 13 | http://www.arib.or.jp/english/html/overview/doc/STD-T63v10_00/2_T63/ARIB-STD-T63/Rel6/25/A25425-660.pdf |
| ATIS | ATIS.3GPP.25.425V660-2009 | 6.6.0 | Approved | Jul 09 | https://www.atis.org/docstore/default.aspx |
| CCSA | CCSA-TSD-DS-25.425 | 6.6.0 | Published | Jan 09 | http://www.ccsa.org.cn/english/tc/files.php?docpath=/ITU-R/M.1457/M.1457-12/DS |
| ETSI | ETSI TS 125 425 | 6.6.0 | Published | Jan 09 | http://www.etsi.org/deliver/etsi_ts/125400_125499/125425/06.06.00_60/ |
| TTA | TTAT.3G-25.425(R6-6.6.0) | 6.6.0 | Approved | Jul 09 | http://www.tta.or.kr/data/ttasDown.jsp?where=14688&pk_num=TTAT.3G-25.425(R6-6.6.0) |
| Release 7 | | | | | |
| ARIB | ARIB STD-T63-25.425 | 7.11.0 | Approved | Jul 13 | http://www.arib.or.jp/english/html/overview/doc/STD-T63v10_00/2_T63/ARIB-STD-T63/Rel7/25/A25425-7b0.pdf |
| ATIS | ATIS.3GPP.25.425V7110-2010 | 7.11.0 | Approved | Jul 10 | https://www.atis.org/docstore/default.aspx |
| CCSA | CCSA-TSD-DS-25.425 | 7.11.0 | Published | Mar 10 | http://www.ccsa.org.cn/english/tc/files.php?docpath=/ITU-R/M.1457/M.1457-12/DS |
| ETSI | ETSI TS 125 425 | 7.11.0 | Published | Jul 09 | http://www.etsi.org/deliver/etsi_ts/125400_125499/125425/07.11.00_60/ |
| TTA | TTAT.3G-25.425(R7-7.10.0) | 7.10.0 | Approved | Jul 09 | http://www.tta.or.kr/data/ttasDown.jsp?where=14688&pk_num=TTAT.3G-25.425(R7-7.10.0) |

Release 8

| | | | | | |
|------|---------------------------|-------|-----------|--------|---|
| ARIB | ARIB STD-T63-25.425 | 8.6.0 | Approved | Jul 13 | http://www.arib.or.jp/english/html/overview/doc/STD-T63v10_00/2_T63/ARIB-STD-T63/Rel8/25/A25425-860.pdf |
| ATIS | ATIS.3GPP.25.425V860-2012 | 8.6.0 | Approved | Jul 12 | https://www.atis.org/docstore/default.aspx |
| CCSA | CCSA-TSD-DS-25.425 | 8.6.0 | Published | Jun 12 | http://www.ccsa.org.cn/english/tc/files.php?docpath=/ITU-R/M.1457/M.1457-12/DS |
| ETSI | ETSI TS 125 425 | 8.6.0 | Published | Jul 11 | http://www.etsi.org/deliver/etsi_ts/125400_125499/125425/08.06.00_60/ |
| TTA | TTAT.3G-25.425(R8-8.2.0) | 8.2.0 | Approved | Jul 09 | http://www.tta.or.kr/data/ttasDown.jsp?where=14688&pk_num=TTAT.3G-25.425(R8-8.2.0) |

Release 9

| | | | | | |
|------|---------------------------|-------|-----------|--------|---|
| ARIB | ARIB STD-T63-25.425 | 9.3.0 | Approved | Jul 13 | http://www.arib.or.jp/english/html/overview/doc/STD-T63v10_00/2_T63/ARIB-STD-T63/Rel9/25/A25425-930.pdf |
| ATIS | ATIS.3GPP.25.425V930-2014 | 9.3.0 | Approved | May 14 | https://www.atis.org/docstore/default.aspx |
| CCSA | CCSA-TSD-DS-25.425 | 9.3.0 | Published | Jun 12 | http://www.ccsa.org.cn/english/tc/files.php?docpath=/ITU-R/M.1457/M.1457-12/DS |
| ETSI | ETSI TS 125 425 | 9.3.0 | Published | Jan 12 | http://www.etsi.org/deliver/etsi_ts/125400_125499/125425/09.03.00_60/ |
| TTA | TTAT.3G-25.425(R9-9.1.0) | 9.1.0 | Approved | Jul 10 | http://www.tta.or.kr/data/ttasDown.jsp?where=14688&pk_num=TTAT.3G-25.425(R9-9.1.0) |

Release 10

| | | | | | |
|------|----------------------------|--------|-----------|--------|---|
| ARIB | ARIB STD-T63-25.425 | 10.2.0 | Approved | Jul 13 | http://www.arib.or.jp/english/html/overview/doc/STD-T63v10_00/2_T63/ARIB-STD-T63/Rel10/25/A25425-a20.pdf |
| ATIS | ATIS.3GPP.25.425V1020-2014 | 10.2.0 | Approved | May 14 | https://www.atis.org/docstore/default.aspx |
| CCSA | CCSA-TSD-DS-25.425 | 10.2.0 | Published | Jun 12 | http://www.ccsa.org.cn/english/tc/files.php?docpath=/ITU-R/M.1457/M.1457-12/DS |
| ETSI | ETSI TS 125 425 | 10.2.0 | Published | Jan 12 | http://www.etsi.org/deliver/etsi_ts/125400_125499/125425/10.02.00_60/ |
| TTA | TTAT.3G-25.425(R10-10.2.0) | 10.2.0 | Approved | Aug 12 | http://www.tta.or.kr/data/ttasDown.jsp?where=14688&pk_num=TTAT.3G-25.425(R10-10.2.0) |

Release 11

| | | | | | |
|------|----------------------------|--------|-----------|--------|---|
| ARIB | ARIB STD-T63-25.425 | 11.2.0 | Approved | Jul 13 | http://www.arib.or.jp/english/html/overview/doc/STD-T63v10_00/2_T63/ARIB-STD-T63/Rel11/25/A25425-b20.pdf |
| ATIS | ATIS.3GPP.25.425V1120-2014 | 11.2.0 | Approved | May 14 | https://www.atis.org/docstore/default.aspx |
| CCSA | CCSA-TSD-DS-25.425 | 11.3.0 | Published | Jun 14 | http://www.ccsa.org.cn/english/tc/files.php?docpath=/ITU-R/M.1457/M.1457-12/DS |
| ETSI | ETSI TS 125 425 | 11.2.0 | Published | Apr 13 | http://www.etsi.org/deliver/etsi_ts/125400_125499/125425/11.02.00_60/ |
| TTA | TTAT.3G-25.425(R11-11.2.0) | 11.2.0 | published | Aug 14 | http://www.tta.or.kr/data/ttasDown.jsp?where=14688&pk_num=TTAT.3G-22.090(R11-11.0.0) |

5.1.2.3.16 TS 25.426**UTRAN Iur and Iub interface data transport & transport signalling for DCH data streams**

This specification describes the transport bearers for the DCH data streams on UTRAN Iur and Iub interfaces. The corresponding transport network control plane is also specified. The physical layer for the transport bearers is outside the scope of this TS.

| SDO (2) | Document No. | Version | Status | Issued date | Location (1) |
|-------------------|---------------------------|---------|-----------|-------------|---|
| Release 99 | | | | | |
| ARIB | ARIB STD-T63-25.426 | 3.9.0 | Approved | Jul 13 | http://www.arib.or.jp/english/html/overview/doc/STD-T63v10_00/2_T63/ARIB-STD-T63/R99/25/A25426-390.pdf |
| ATIS | T1.3GPP.25.426V390-2003 | 3.9.0 | Approved | Mar 03 | https://www.atis.org/docstore/default.aspx |
| CCSA | CCSA-TSD-DS-25.426 | 3.9.0 | Published | Jul 02 | http://www.ccsa.org.cn/english/tc/files.php?docpath=/ITU-R/M.1457/M.1457-12/DS |
| ETSI | ETSI TS 125 426 | 3.9.0 | Published | Jul 02 | http://www.etsi.org/deliver/etsi_ts/125400_125499/125426/03.09.00_60/ |
| TTA | TTAT.3G-25.426(R99-3.9.0) | 3.9.0 | Approved | Mar 03 | http://www.tta.or.kr/data/ttasDown.jsp?where=14688&pk_num=TTAT.3G-25.426(R99-3.9.0) |
| Release 4 | | | | | |
| ARIB | ARIB STD-T63-25.426 | 4.4.0 | Approved | Jul 13 | http://www.arib.or.jp/english/html/overview/doc/STD-T63v10_00/2_T63/ARIB-STD-T63/Rel4/25/A25426-440.pdf |
| ATIS | T1.3GPP.25.426V440-2003 | 4.4.0 | Approved | Mar 03 | https://www.atis.org/docstore/default.aspx |
| CCSA | CCSA-TSD-DS-25.426 | 4.4.0 | Published | Oct 02 | http://www.ccsa.org.cn/english/tc/files.php?docpath=/ITU-R/M.1457/M.1457-12/DS |

| | | | | | |
|-------------------|----------------------------|--------|-----------|--------|---|
| ETSI | ETSI TS 125 426 | 4.4.0 | Published | Oct 02 | http://www.etsi.org/deliver/etsi_ts/125400_125499/125426/04.04.00_60/ |
| TTA | TTAT.3G-25.426(R4-4.4.0) | 4.4.0 | Approved | Mar 03 | http://www.tta.or.kr/data/ttasDown.jsp?where=14688&pk_num=TTAT.3G-25.426(R4-4.4.0) |
| Release 5 | | | | | |
| ARIB | ARIB STD-T63-25.426 | 5.6.0 | Approved | Jul 13 | http://www.arib.or.jp/english/html/overview/doc/STD-T63v10_00/2_T63/ARIB-STD-T63/Rel5/25/A25426-560.pdf |
| ATIS | ATIS.3GPP.25.426V560-2005 | 5.6.0 | Approved | Apr 05 | https://www.atis.org/docstore/default.aspx |
| CCSA | CCSA-TSD-DS-25.426 | 5.6.0 | Published | Oct 04 | http://www.ccsa.org.cn/english/tc/files.php?docpath=/ITU-R/M.1457/M.1457-12/DS |
| ETSI | ETSI TS 125 426 | 5.6.0 | Published | Oct 04 | http://www.etsi.org/deliver/etsi_ts/125400_125499/125426/05.06.00_60/ |
| TTA | TTAT.3G-25.426(R5-5.6.0) | 5.6.0 | Approved | May 05 | http://www.tta.or.kr/data/ttasDown.jsp?where=14688&pk_num=TTAT.3G-25.426(R5-5.6.0) |
| Release 6 | | | | | |
| ARIB | ARIB STD-T63-25.426 | 6.5.0 | Approved | Jul 13 | http://www.arib.or.jp/english/html/overview/doc/STD-T63v10_00/2_T63/ARIB-STD-T63/Rel6/25/A25426-650.pdf |
| ATIS | ATIS.3GPP.25.426V650-2007 | 6.5.0 | Approved | Oct 07 | https://www.atis.org/docstore/default.aspx |
| CCSA | CCSA-TSD-DS-25.426 | 6.5.0 | Published | Jul 06 | http://www.ccsa.org.cn/english/tc/files.php?docpath=/ITU-R/M.1457/M.1457-12/DS |
| ETSI | ETSI TS 125 426 | 6.5.0 | Published | Jul 06 | http://www.etsi.org/deliver/etsi_ts/125400_125499/125426/06.05.00_60/ |
| TTA | TTAT.3G-25.426(R6-6.5.0) | 6.5.0 | Approved | Dec 07 | http://www.tta.or.kr/data/ttasDown.jsp?where=14688&pk_num=TTAT.3G-25.426(R6-6.5.0) |
| Release 7 | | | | | |
| ARIB | ARIB STD-T63-25.426 | 7.1.0 | Approved | Jul 13 | http://www.arib.or.jp/english/html/overview/doc/STD-T63v10_00/2_T63/ARIB-STD-T63/Rel7/25/A25426-710.pdf |
| ATIS | ATIS.3GPP.25.426V710-2007 | 7.1.0 | Approved | Oct 07 | https://www.atis.org/docstore/default.aspx |
| CCSA | CCSA-TSD-DS-25.426 | 7.1.0 | Published | Jul 06 | http://www.ccsa.org.cn/english/tc/files.php?docpath=/ITU-R/M.1457/M.1457-12/DS |
| ETSI | ETSI TS 125 426 | 7.1.0 | Published | Jul 06 | http://www.etsi.org/deliver/etsi_ts/125400_125499/125426/07.01.00_60/ |
| TTA | TTAT.3G-25.426(R7-7.1.0) | 7.1.0 | Approved | Dec 07 | http://www.tta.or.kr/data/ttasDown.jsp?where=14688&pk_num=TTAT.3G-25.426(R7-7.1.0) |
| Release 8 | | | | | |
| ARIB | ARIB STD-T63-25.426 | 8.0.0 | Approved | Jul 13 | http://www.arib.or.jp/english/html/overview/doc/STD-T63v10_00/2_T63/ARIB-STD-T63/Rel8/25/A25426-800.pdf |
| ATIS | ATIS.3GPP.25.426V800-2009 | 8.0.0 | Approved | Jul 09 | https://www.atis.org/docstore/default.aspx |
| CCSA | CCSA-TSD-DS-25.426 | 8.0.0 | Published | Jan 09 | http://www.ccsa.org.cn/english/tc/files.php?docpath=/ITU-R/M.1457/M.1457-12/DS |
| ETSI | ETSI TS 125 426 | 8.0.0 | Published | Jan 09 | http://www.etsi.org/deliver/etsi_ts/125400_125499/125426/08.00.00_60/ |
| TTA | TTAT.3G-25.426(R8-8.0.0) | 8.0.0 | Approved | Jul 09 | http://www.tta.or.kr/data/ttasDown.jsp?where=14688&pk_num=TTAT.3G-25.426(R8-8.0.0) |
| Release 9 | | | | | |
| ARIB | ARIB STD-T63-25.426 | 9.0.1 | Approved | Jul 13 | http://www.arib.or.jp/english/html/overview/doc/STD-T63v10_00/2_T63/ARIB-STD-T63/Rel9/25/A25426-901.pdf |
| ATIS | ATIS.3GPP.25.426V901-2012 | 9.0.1 | Approved | Jul 12 | https://www.atis.org/docstore/default.aspx |
| CCSA | CCSA-TSD-DS-25.426 | 9.0.1 | Published | Jun 12 | http://www.ccsa.org.cn/english/tc/files.php?docpath=/ITU-R/M.1457/M.1457-12/DS |
| ETSI | ETSI TS 125 426 | 9.0.1 | Published | Apr 11 | http://www.etsi.org/deliver/etsi_ts/125400_125499/125426/09.00.01_60/ |
| TTA | TTAT.3G-25.426(R9-9.0.0) | 9.0.0 | Approved | Jul 10 | http://www.tta.or.kr/data/ttasDown.jsp?where=14688&pk_num=TTAT.3G-25.426(R9-9.0.0) |
| Release 10 | | | | | |
| ARIB | ARIB STD-T63-25.426 | 10.1.0 | Approved | Jul 13 | http://www.arib.or.jp/english/html/overview/doc/STD-T63v10_00/2_T63/ARIB-STD-T63/Rel10/25/A25426-a10.pdf |
| ATIS | ATIS.3GPP.25.426V1010-2012 | 10.1.0 | Approved | Jul 12 | https://www.atis.org/docstore/default.aspx |
| CCSA | CCSA-TSD-DS-25.426 | 10.1.0 | Published | Jun 12 | http://www.ccsa.org.cn/english/tc/files.php?docpath=/ITU-R/M.1457/M.1457-12/DS |
| ETSI | ETSI TS 125 426 | 10.1.0 | Published | Jul 11 | http://www.etsi.org/deliver/etsi_ts/125400_125499/125426/10.01.00_60/ |
| TTA | TTAT.3G-25.426(R10-10.1.0) | 10.1.0 | Approved | Aug 12 | http://www.tta.or.kr/data/ttasDown.jsp?where=14688&pk_num=TTAT.3G-25.426(R10-10.1.0) |
| Release 11 | | | | | |
| ARIB | ARIB STD-T63-25.426 | 11.0.0 | Approved | Jul 13 | http://www.arib.or.jp/english/html/overview/doc/STD-T63v10_00/2_T63/ARIB-STD-T63/Rel11/25/A25426-b00.pdf |
| ATIS | ATIS.3GPP.25.426V1100-2014 | 11.0.0 | Approved | May 14 | https://www.atis.org/docstore/default.aspx |
| CCSA | CCSA-TSD-DS-25.426 | 11.0.0 | Published | Jun 14 | http://www.ccsa.org.cn/english/tc/files.php?docpath=/ITU-R/M.1457/M.1457-12/DS |
| ETSI | ETSI TS 125 426 | 11.0.0 | Published | Oct 12 | http://www.etsi.org/deliver/etsi_ts/125400_125499/125426/11.00.00_60/ |
| TTA | TTAT.3G-25.426(R11-11.0.0) | 11.0.0 | published | Aug 14 | http://www.tta.or.kr/data/ttasDown.jsp?where=14688&pk_num=TTAT.3G-22.091(R11-11.0.0) |

5.1.2.3.17 TS 25.427

UTRAN Iub/Iur interface user plane protocol for DCH data streams

This specification describes the UTRAN Iur and Iub interfaces user plane protocols for dedicated transport channel data streams.

| SDO (2) | Document No. | Version | Status | Issued date | Location (1) |
|-------------------|----------------------------|---------|-----------|-------------|---|
| Release 99 | | | | | |
| ARIB | ARIB STD-T63-25.427 | 3.11.0 | Approved | Jul 13 | http://www.arib.or.jp/english/html/overview/doc/STD-T63v10_00/2_T63/ARIB-STD-T63/R99/25/A25427-3b0.pdf |
| ATIS | T1.3GPP.25.427V3110-2004 | 3.11.0 | Approved | May 04 | https://www.atis.org/docstore/default.aspx |
| CCSA | CCSA-TSD-DS-25.427 | 3.11.0 | Published | Jan 04 | http://www.ccsa.org.cn/english/tc/files.php?docpath=/ITU-R/M.1457/M.1457-12/DS |
| ETSI | ETSI TS 125 427 | 3.11.0 | Published | Jan 04 | http://www.etsi.org/deliver/etsi_ts/125400_125499/125427/03.11.00_60/ |
| TTA | TTAT.3G-25.427(R99-3.11.0) | 3.11.0 | Approved | May 04 | http://www.tta.or.kr/data/ttasDown.jsp?where=14688&pk_num=TTAT.3G-25.427(R99-3.11.0) |
| Release 4 | | | | | |
| ARIB | ARIB STD-T63-25.427 | 4.5.0 | Approved | Jul 13 | http://www.arib.or.jp/english/html/overview/doc/STD-T63v10_00/2_T63/ARIB-STD-T63/Rel4/25/A25427-450.pdf |
| ATIS | T1.3GPP.25.427V450-2004 | 4.5.0 | Approved | May 04 | https://www.atis.org/docstore/default.aspx |
| CCSA | CCSA-TSD-DS-25.427 | 4.5.0 | Published | Jan 04 | http://www.ccsa.org.cn/english/tc/files.php?docpath=/ITU-R/M.1457/M.1457-12/DS |
| ETSI | ETSI TS 125 427 | 4.5.0 | Published | Jan 04 | http://www.etsi.org/deliver/etsi_ts/125400_125499/125427/04.05.00_60/ |
| TTA | TTAT.3G-25.427(R4-4.5.0) | 4.5.0 | Approved | May 04 | http://www.tta.or.kr/data/ttasDown.jsp?where=14688&pk_num=TTAT.3G-25.427(R4-4.5.0) |
| Release 5 | | | | | |
| ARIB | ARIB STD-T63-25.427 | 5.5.0 | Approved | Jul 13 | http://www.arib.or.jp/english/html/overview/doc/STD-T63v10_00/2_T63/ARIB-STD-T63/Rel5/25/A25427-550.pdf |
| ATIS | ATIS.3GPP.25.427V550-2006 | 5.5.0 | Approved | Apr 06 | https://www.atis.org/docstore/default.aspx |
| CCSA | CCSA-TSD-DS-25.427 | 5.5.0 | Published | Jul 05 | http://www.ccsa.org.cn/english/tc/files.php?docpath=/ITU-R/M.1457/M.1457-12/DS |
| ETSI | ETSI TS 125 427 | 5.5.0 | Published | Jul 05 | http://www.etsi.org/deliver/etsi_ts/125400_125499/125427/05.05.00_60/ |
| TTA | TTAT.3G-25.427(R5-5.5.0) | 5.5.0 | Approved | Apr 06 | http://www.tta.or.kr/data/ttasDown.jsp?where=14688&pk_num=TTAT.3G-25.427(R5-5.5.0) |
| Release 6 | | | | | |
| ARIB | ARIB STD-T63-25.427 | 6.8.0 | Approved | Jul 13 | http://www.arib.or.jp/english/html/overview/doc/STD-T63v10_00/2_T63/ARIB-STD-T63/Rel6/25/A25427-680.pdf |
| ATIS | ATIS.3GPP.25.427V680-2007 | 6.8.0 | Approved | Oct 07 | https://www.atis.org/docstore/default.aspx |
| CCSA | CCSA-TSD-DS-25.427 | 6.8.0 | Published | Jan 07 | http://www.ccsa.org.cn/english/tc/files.php?docpath=/ITU-R/M.1457/M.1457-12/DS |
| ETSI | ETSI TS 125 427 | 6.8.0 | Published | Jan 07 | http://www.etsi.org/deliver/etsi_ts/125400_125499/125427/06.08.00_60/ |
| TTA | TTAT.3G-25.427(R6-6.8.0) | 6.8.0 | Approved | Dec 07 | http://www.tta.or.kr/data/ttasDown.jsp?where=14688&pk_num=TTAT.3G-25.427(R6-6.8.0) |
| Release 7 | | | | | |
| ARIB | ARIB STD-T63-25.427 | 7.5.0 | Approved | Jul 13 | http://www.arib.or.jp/english/html/overview/doc/STD-T63v10_00/2_T63/ARIB-STD-T63/Rel7/25/A25427-750.pdf |
| ATIS | ATIS.3GPP.25.427V750-2007 | 7.5.0 | Approved | Oct 07 | https://www.atis.org/docstore/default.aspx |
| CCSA | CCSA-TSD-DS-25.427 | 7.5.0 | Published | Oct 07 | http://www.ccsa.org.cn/english/tc/files.php?docpath=/ITU-R/M.1457/M.1457-12/DS |
| ETSI | ETSI TS 125 427 | 7.5.0 | Published | Oct 07 | http://www.etsi.org/deliver/etsi_ts/125400_125499/125427/07.05.00_60/ |
| TTA | TTAT.3G-25.427(R7-7.5.0) | 7.5.0 | Approved | Dec 07 | http://www.tta.or.kr/data/ttasDown.jsp?where=14688&pk_num=TTAT.3G-25.427(R7-7.5.0) |
| Release 8 | | | | | |
| ARIB | ARIB STD-T63-25.427 | 8.2.0 | Approved | Jul 13 | http://www.arib.or.jp/english/html/overview/doc/STD-T63v10_00/2_T63/ARIB-STD-T63/Rel8/25/A25427-820.pdf |
| ATIS | ATIS.3GPP.25.427V820-2010 | 8.2.0 | Approved | Jul 10 | https://www.atis.org/docstore/default.aspx |
| CCSA | CCSA-TSD-DS-25.427 | 8.2.0 | Published | Mar 10 | http://www.ccsa.org.cn/english/tc/files.php?docpath=/ITU-R/M.1457/M.1457-12/DS |
| ETSI | ETSI TS 125 427 | 8.2.0 | Published | Jan 10 | http://www.etsi.org/deliver/etsi_ts/125400_125499/125427/08.02.00_60/ |
| TTA | TTAT.3G-25.427(R8-8.1.0) | 8.1.0 | Approved | Jul 09 | http://www.tta.or.kr/data/ttasDown.jsp?where=14688&pk_num=TTAT.3G-25.427(R8-8.1.0) |

Release 9

| | | | | | |
|------|---------------------------|-------|-----------|--------|---|
| ARIB | ARIB STD-T63-25.427 | 9.0.1 | Approved | Jul 13 | http://www.arib.or.jp/english/html/overview/doc/STD-T63v10_00/2_T63/ARIB-STD-T63/Rel9/25/A25427-901.pdf |
| ATIS | ATIS.3GPP.25.427V901-2012 | 9.0.1 | Approved | Jul 12 | https://www.atis.org/docstore/default.aspx |
| CCSA | CCSA-TSD-DS-25.427 | 9.0.1 | Published | Jun 12 | http://www.ccsa.org.cn/english/tc/files.php?docpath=/ITU-R/M.1457/M.1457-12/DS |
| ETSI | ETSI TS 125 427 | 9.0.1 | Published | Apr 11 | http://www.etsi.org/deliver/etsi_ts/125400_125499/125427/09.00.01_60/ |
| TTA | TTAT.3G-25.427(R9-9.0.0) | 9.0.0 | Approved | Jul 10 | http://www.tta.or.kr/data/ttasDown.jsp?where=14688&pk_num=TTAT.3G-25.427(R9-9.0.0) |

Release 10

| | | | | | |
|------|----------------------------|--------|-----------|--------|---|
| ARIB | ARIB STD-T63-25.427 | 10.1.0 | Approved | Jul 13 | http://www.arib.or.jp/english/html/overview/doc/STD-T63v10_00/2_T63/ARIB-STD-T63/Rel10/25/A25427-a10.pdf |
| ATIS | ATIS.3GPP.25.427V1010-2012 | 10.1.0 | Approved | Jul 12 | https://www.atis.org/docstore/default.aspx |
| CCSA | CCSA-TSD-DS-25.427 | 10.1.0 | Published | Jun 12 | http://www.ccsa.org.cn/english/tc/files.php?docpath=/ITU-R/M.1457/M.1457-12/DS |
| ETSI | ETSI TS 125 427 | 10.1.0 | Published | Jul 11 | http://www.etsi.org/deliver/etsi_ts/125400_125499/125427/10.01.00_60/ |
| TTA | TTAT.3G-25.427(R10-10.1.0) | 10.1.0 | Approved | Aug 12 | http://www.tta.or.kr/data/ttasDown.jsp?where=14688&pk_num=TTAT.3G-25.427(R10-10.1.0) |

Release 11

| | | | | | |
|------|----------------------------|--------|-----------|--------|---|
| ARIB | ARIB STD-T63-25.427 | 11.0.0 | Approved | Jul 13 | http://www.arib.or.jp/english/html/overview/doc/STD-T63v10_00/2_T63/ARIB-STD-T63/Rel11/25/A25427-b00.pdf |
| ATIS | ATIS.3GPP.25.427V1100-2014 | 11.0.0 | Approved | May 14 | https://www.atis.org/docstore/default.aspx |
| CCSA | CCSA-TSD-DS-25.427 | 11.0.0 | Published | Jun 14 | http://www.ccsa.org.cn/english/tc/files.php?docpath=/ITU-R/M.1457/M.1457-12/DS |
| ETSI | ETSI TS 125 427 | 11.0.0 | Published | Nov 12 | http://www.etsi.org/deliver/etsi_ts/125400_125499/125427/11.00.00_60/ |
| TTA | TTAT.3G-25.427(R11-11.0.0) | 11.0.0 | published | Aug 14 | http://www.tta.or.kr/data/ttasDown.jsp?where=14688&pk_num=TTAT.3G-22.093(R11-11.0.0) |

5.1.2.3.18 TS 25.430**UTRAN Iub Interface: general aspects and principles**

This specification describes the TSG RAN TS 25.43x series of UMTS technical specifications that define the Iub interface. The Iub interface is a logical interface for the interconnection of Node B and RNC components of the UTRAN.

| SDO (2) | Document No. | Version | Status | Issued date | Location (1) |
|-------------------|---------------------------|---------|-----------|-------------|---|
| Release 99 | | | | | |
| ARIB | ARIB STD-T63-25.430 | 3.8.0 | Approved | Jul 13 | http://www.arib.or.jp/english/html/overview/doc/STD-T63v10_00/2_T63/ARIB-STD-T63/R99/25/A25430-380.pdf |
| ATIS | T1.3GPP.25.430V380-2003 | 3.8.0 | Approved | Mar 03 | https://www.atis.org/docstore/default.aspx |
| CCSA | CCSA-TSD-DS-25.430 | 3.8.0 | Published | Jul 02 | http://www.ccsa.org.cn/english/tc/files.php?docpath=/ITU-R/M.1457/M.1457-12/DS |
| ETSI | ETSI TS 125 430 | 3.8.0 | Published | Jul 02 | http://www.etsi.org/deliver/etsi_ts/125400_125499/125430/03.08.00_60/ |
| TTA | TTAT.3G-25.430(R99-3.8.0) | 3.8.0 | Approved | Mar 03 | http://www.tta.or.kr/data/ttasDown.jsp?where=14688&pk_num=TTAT.3G-25.430(R99-3.8.0) |
| Release 4 | | | | | |
| ARIB | ARIB STD-T63-25.430 | 4.4.0 | Approved | Jul 13 | http://www.arib.or.jp/english/html/overview/doc/STD-T63v10_00/2_T63/ARIB-STD-T63/Rel4/25/A25430-440.pdf |
| ATIS | T1.3GPP.25.430V440-2003 | 4.4.0 | Approved | Mar 03 | https://www.atis.org/docstore/default.aspx |
| CCSA | CCSA-TSD-DS-25.430 | 4.4.0 | Published | Oct 02 | http://www.ccsa.org.cn/english/tc/files.php?docpath=/ITU-R/M.1457/M.1457-12/DS |
| ETSI | ETSI TS 125 430 | 4.4.0 | Published | Oct 02 | http://www.etsi.org/deliver/etsi_ts/125400_125499/125430/04.04.00_60/ |
| TTA | TTAT.3G-25.430(R4-4.4.0) | 4.4.0 | Approved | Mar 03 | http://www.tta.or.kr/data/ttasDown.jsp?where=14688&pk_num=TTAT.3G-25.430(R4-4.4.0) |
| Release 5 | | | | | |
| ARIB | ARIB STD-T63-25.430 | 5.5.0 | Approved | Jul 13 | http://www.arib.or.jp/english/html/overview/doc/STD-T63v10_00/2_T63/ARIB-STD-T63/Rel5/25/A25430-550.pdf |
| ATIS | ATIS.3GPP.25.430V550-2006 | 5.5.0 | Approved | Apr 06 | https://www.atis.org/docstore/default.aspx |
| CCSA | CCSA-TSD-DS-25.430 | 5.5.0 | Published | Jul 05 | http://www.ccsa.org.cn/english/tc/files.php?docpath=/ITU-R/M.1457/M.1457-12/DS |
| ETSI | ETSI TS 125 430 | 5.5.0 | Published | Jul 05 | http://www.etsi.org/deliver/etsi_ts/125400_125499/125430/05.05.00_60/ |

| | | | | | |
|-------------------|----------------------------|--------|-----------|--------|---|
| TTA | TTAT.3G-25.430(R5-5.5.0) | 5.5.0 | Approved | Apr 06 | http://www.tta.or.kr/data/ttasDown.jsp?where=14688&pk_num=TTAT.3G-25.430(R5-5.5.0) |
| Release 6 | | | | | |
| ARIB | ARIB STD-T63-25.430 | 6.5.0 | Approved | Jul 13 | http://www.arib.or.jp/english/html/overview/doc/STD-T63v10_00/2_T63/ARIB-STD-T63/Rel6/25/A25430-650.pdf |
| ATIS | ATIS.3GPP.25.430V650-2006 | 6.5.0 | Approved | Apr 06 | https://www.atis.org/docstore/default.aspx |
| CCSA | CCSA-TSD-DS-25.430 | 6.5.0 | Published | Jul 05 | http://www.ccsa.org.cn/english/tc/files.php?docpath=/ITU-R/M.1457/M.1457-12/DS |
| ETSI | ETSI TS 125 430 | 6.5.0 | Published | Jul 05 | http://www.etsi.org/deliver/etsi_ts/125400_125499/125430/06.05.00_60/ |
| TTA | TTAT.3G-25.430(R6-6.5.0) | 6.5.0 | Approved | Apr 06 | http://www.tta.or.kr/data/ttasDown.jsp?where=14688&pk_num=TTAT.3G-25.430(R6-6.5.0) |
| Release 7 | | | | | |
| ARIB | ARIB STD-T63-25.430 | 7.5.0 | Approved | Jul 13 | http://www.arib.or.jp/english/html/overview/doc/STD-T63v10_00/2_T63/ARIB-STD-T63/Rel7/25/A25430-750.pdf |
| ATIS | ATIS.3GPP.25.430V750-2007 | 7.5.0 | Approved | Oct 07 | https://www.atis.org/docstore/default.aspx |
| CCSA | CCSA-TSD-DS-25.430 | 7.5.0 | Published | Oct 07 | http://www.ccsa.org.cn/english/tc/files.php?docpath=/ITU-R/M.1457/M.1457-12/DS |
| ETSI | ETSI TS 125 430 | 7.5.0 | Published | Oct 07 | http://www.etsi.org/deliver/etsi_ts/125400_125499/125430/07.05.00_60/ |
| TTA | TTAT.3G-25.430(R7-7.5.0) | 7.5.0 | Approved | Dec 07 | http://www.tta.or.kr/data/ttasDown.jsp?where=14688&pk_num=TTAT.3G-25.430(R7-7.5.0) |
| Release 8 | | | | | |
| ARIB | ARIB STD-T63-25.430 | 8.0.0 | Approved | Jul 13 | http://www.arib.or.jp/english/html/overview/doc/STD-T63v10_00/2_T63/ARIB-STD-T63/Rel8/25/A25430-800.pdf |
| ATIS | ATIS.3GPP.25.430V800-2009 | 8.0.0 | Approved | Jul 09 | https://www.atis.org/docstore/default.aspx |
| CCSA | CCSA-TSD-DS-25.430 | 8.0.0 | Published | Jan 09 | http://www.ccsa.org.cn/english/tc/files.php?docpath=/ITU-R/M.1457/M.1457-12/DS |
| ETSI | ETSI TS 125 430 | 8.0.0 | Published | Jan 09 | http://www.etsi.org/deliver/etsi_ts/125400_125499/125430/08.00.00_60/ |
| TTA | TTAT.3G-25.430(R8-8.0.0) | 8.0.0 | Approved | Jul 09 | http://www.tta.or.kr/data/ttasDown.jsp?where=14688&pk_num=TTAT.3G-25.430(R8-8.0.0) |
| Release 9 | | | | | |
| ARIB | ARIB STD-T63-25.430 | 9.0.1 | Approved | Jul 13 | http://www.arib.or.jp/english/html/overview/doc/STD-T63v10_00/2_T63/ARIB-STD-T63/Rel9/25/A25430-901.pdf |
| ATIS | ATIS.3GPP.25.430V901-2012 | 9.0.1 | Approved | Jul 12 | https://www.atis.org/docstore/default.aspx |
| CCSA | CCSA-TSD-DS-25.430 | 9.0.1 | Published | Jun 12 | http://www.ccsa.org.cn/english/tc/files.php?docpath=/ITU-R/M.1457/M.1457-12/DS |
| ETSI | ETSI TS 125 430 | 9.0.1 | Published | Apr 11 | http://www.etsi.org/deliver/etsi_ts/125400_125499/125430/09.00.01_60/ |
| TTA | TTAT.3G-25.430(R9-9.0.0) | 9.0.0 | Approved | Jul 10 | http://www.tta.or.kr/data/ttasDown.jsp?where=14688&pk_num=TTAT.3G-25.430(R9-9.0.0) |
| Release 10 | | | | | |
| ARIB | ARIB STD-T63-25.430 | 10.1.0 | Approved | Jul 13 | http://www.arib.or.jp/english/html/overview/doc/STD-T63v10_00/2_T63/ARIB-STD-T63/Rel10/25/A25430-a10.pdf |
| ATIS | ATIS.3GPP.25.430V1010-2012 | 10.1.0 | Approved | Jul 12 | https://www.atis.org/docstore/default.aspx |
| CCSA | CCSA-TSD-DS-25.430 | 10.1.0 | Published | Jun 12 | http://www.ccsa.org.cn/english/tc/files.php?docpath=/ITU-R/M.1457/M.1457-12/DS |
| ETSI | ETSI TS 125 430 | 10.1.0 | Published | Jul 11 | http://www.etsi.org/deliver/etsi_ts/125400_125499/125430/10.01.00_60/ |
| TTA | TTAT.3G-25.430(R10-10.1.0) | 10.1.0 | Approved | Aug 12 | http://www.tta.or.kr/data/ttasDown.jsp?where=14688&pk_num=TTAT.3G-25.430(R10-10.1.0) |
| Release 11 | | | | | |
| ARIB | ARIB STD-T63-25.430 | 11.0.0 | Approved | Jul 13 | http://www.arib.or.jp/english/html/overview/doc/STD-T63v10_00/2_T63/ARIB-STD-T63/Rel11/25/A25430-b00.pdf |
| ATIS | ATIS.3GPP.25.430V1100-2014 | 11.0.0 | Approved | May 14 | https://www.atis.org/docstore/default.aspx |
| CCSA | CCSA-TSD-DS-25.430 | 11.0.0 | Published | Jun 14 | http://www.ccsa.org.cn/english/tc/files.php?docpath=/ITU-R/M.1457/M.1457-12/DS |
| ETSI | ETSI TS 125 430 | 11.0.0 | Published | Oct 12 | http://www.etsi.org/deliver/etsi_ts/125400_125499/125430/11.00.00_60/ |
| TTA | TTAT.3G-25.430(R11-11.0.0) | 11.0.0 | published | Aug 14 | http://www.tta.or.kr/data/ttasDown.jsp?where=14688&pk_num=TTAT.3G-22.094(R11-11.0.0) |

5.1.2.3.19 TS 25.431

UTRAN Iub interface Layer 1

This specification describes the standards allowed to implement Layer 1 on the Iub interface. The specification of transmission delay requirements and O&M requirements is not in the scope of this specification.

| SDO (2) | Document No. | Version | Status | Issued date | Location (1) |
|-------------------|---------------------------|---------|-----------|-------------|---|
| Release 99 | | | | | |
| ARIB | ARIB STD-T63-25.431 | 3.1.0 | Approved | Jul 13 | http://www.arib.or.jp/english/html/overview/doc/STD-T63v10_00/2_T63/ARIB-STD-T63/R99/25/A25431-310.pdf |
| ATIS | T1.3GPP.25.431V310-2002 | 3.1.0 | Approved | May 02 | https://www.atis.org/docstore/default.aspx |
| CCSA | CCSA-TSD-DS-25.431 | 3.1.0 | Published | Apr 01 | http://www.ccsa.org.cn/english/tc/files.php?docpath=/ITU-R/M.1457/M.1457-12/DS |
| ETSI | ETSI TS 125 431 | 3.1.0 | Published | Apr 01 | http://www.etsi.org/deliver/etsi_ts/125400_125499/125431/03.01.00_60/ |
| TTA | TTAE.3G-25.431(R99-3.1.0) | 3.1.0 | Approved | May 02 | http://www.tta.or.kr/data/ttasDown.jsp?where=14688&pk_num=TTAE.3G-25.431(R99-3.1.0) |
| Release 4 | | | | | |
| ARIB | ARIB STD-T63-25.431 | 4.0.0 | Approved | Jul 13 | http://www.arib.or.jp/english/html/overview/doc/STD-T63v10_00/2_T63/ARIB-STD-T63/Rel4/25/A25431-400.pdf |
| ATIS | T1.3GPP.25.431V400-2002 | 4.0.0 | Approved | May 02 | https://www.atis.org/docstore/default.aspx |
| CCSA | CCSA-TSD-DS-25.431 | 4.0.0 | Published | Apr 01 | http://www.ccsa.org.cn/english/tc/files.php?docpath=/ITU-R/M.1457/M.1457-12/DS |
| ETSI | ETSI TS 125 431 | 4.0.0 | Published | Apr 01 | http://www.etsi.org/deliver/etsi_ts/125400_125499/125431/04.00.00_60/ |
| TTA | TTAE.3G-25.431(R4-4.0.0) | 4.0.0 | Approved | May 02 | http://www.tta.or.kr/data/ttasDown.jsp?where=14688&pk_num=TTAE.3G-25.431(R4-4.0.0) |
| Release 5 | | | | | |
| ARIB | ARIB STD-T63-25.431 | 5.0.0 | Approved | Jul 13 | http://www.arib.or.jp/english/html/overview/doc/STD-T63v10_00/2_T63/ARIB-STD-T63/Rel5/25/A25431-500.pdf |
| ATIS | T1.3GPP.25.431V500-2002 | 5.0.0 | Approved | May 02 | https://www.atis.org/docstore/default.aspx |
| CCSA | CCSA-TSD-DS-25.431 | 5.0.0 | Published | Apr 02 | http://www.ccsa.org.cn/english/tc/files.php?docpath=/ITU-R/M.1457/M.1457-12/DS |
| ETSI | ETSI TS 125 431 | 5.0.0 | Published | Apr 02 | http://www.etsi.org/deliver/etsi_ts/125400_125499/125431/05.00.00_60/ |
| TTA | TTAE.3G-25.431(R5-5.0.0) | 5.0.0 | Approved | May 02 | http://www.tta.or.kr/data/ttasDown.jsp?where=14688&pk_num=TTAE.3G-25.431(R5-5.0.0) |
| Release 6 | | | | | |
| ARIB | ARIB STD-T63-25.431 | 6.0.0 | Approved | Jul 13 | http://www.arib.or.jp/english/html/overview/doc/STD-T63v10_00/2_T63/ARIB-STD-T63/Rel6/25/A25431-600.pdf |
| ATIS | T1.3GPP.25.431V600-2004 | 6.0.0 | Approved | May 04 | https://www.atis.org/docstore/default.aspx |
| CCSA | CCSA-TSD-DS-25.431 | 6.0.0 | Published | Jan 04 | http://www.ccsa.org.cn/english/tc/files.php?docpath=/ITU-R/M.1457/M.1457-12/DS |
| ETSI | ETSI TS 125 431 | 6.0.0 | Published | Jan 04 | http://www.etsi.org/deliver/etsi_ts/125400_125499/125431/06.00.00_60/ |
| TTA | TTAT.3G-25.431(R6-6.0.0) | 6.0.0 | Approved | May 04 | http://www.tta.or.kr/data/ttasDown.jsp?where=14688&pk_num=TTAT.3G-25.431(R6-6.0.0) |
| Release 7 | | | | | |
| ARIB | ARIB STD-T63-25.431 | 7.0.0 | Approved | Jul 13 | http://www.arib.or.jp/english/html/overview/doc/STD-T63v10_00/2_T63/ARIB-STD-T63/Rel7/25/A25431-700.pdf |
| ATIS | ATIS.3GPP.25.431V700-2007 | 7.0.0 | Approved | Oct 07 | https://www.atis.org/docstore/default.aspx |
| CCSA | CCSA-TSD-DS-25.431 | 7.0.0 | Published | May 06 | http://www.ccsa.org.cn/english/tc/files.php?docpath=/ITU-R/M.1457/M.1457-12/DS |
| ETSI | ETSI TS 125 431 | 7.0.0 | Published | May 06 | http://www.etsi.org/deliver/etsi_ts/125400_125499/125431/07.00.00_60/ |
| TTA | TTAT.3G-25.431(R7-7.0.0) | 7.0.0 | Approved | Dec 07 | http://www.tta.or.kr/data/ttasDown.jsp?where=14688&pk_num=TTAT.3G-25.431(R7-7.0.0) |
| Release 8 | | | | | |
| ARIB | ARIB STD-T63-25.431 | 8.0.0 | Approved | Jul 13 | http://www.arib.or.jp/english/html/overview/doc/STD-T63v10_00/2_T63/ARIB-STD-T63/Rel8/25/A25431-800.pdf |
| ATIS | ATIS.3GPP.25.431V800-2009 | 8.0.0 | Approved | Jul 09 | https://www.atis.org/docstore/default.aspx |
| CCSA | CCSA-TSD-DS-25.431 | 8.0.0 | Published | Jan 09 | http://www.ccsa.org.cn/english/tc/files.php?docpath=/ITU-R/M.1457/M.1457-12/DS |
| ETSI | ETSI TS 125 431 | 8.0.0 | Published | Jan 09 | http://www.etsi.org/deliver/etsi_ts/125400_125499/125431/08.00.00_60/ |
| TTA | TTAT.3G-25.431(R8-8.0.0) | 8.0.0 | Approved | Jul 09 | http://www.tta.or.kr/data/ttasDown.jsp?where=14688&pk_num=TTAT.3G-25.431(R8-8.0.0) |
| Release 9 | | | | | |
| ARIB | ARIB STD-T63-25.431 | 9.0.1 | Approved | Jul 13 | http://www.arib.or.jp/english/html/overview/doc/STD-T63v10_00/2_T63/ARIB-STD-T63/Rel9/25/A25431-901.pdf |
| ATIS | ATIS.3GPP.25.431V901-2012 | 9.0.1 | Approved | Jul 12 | https://www.atis.org/docstore/default.aspx |
| CCSA | CCSA-TSD-DS-25.431 | 9.0.1 | Published | Jun 12 | http://www.ccsa.org.cn/english/tc/files.php?docpath=/ITU-R/M.1457/M.1457-12/DS |
| ETSI | ETSI TS 125 431 | 9.0.1 | Published | Apr 11 | http://www.etsi.org/deliver/etsi_ts/125400_125499/125431/09.00.01_60/ |
| TTA | TTAT.3G-25.431(R8-8.0.0) | 9.0.0 | Approved | Jul 10 | http://www.tta.or.kr/data/ttasDown.jsp?where=14688&pk_num=TTAT.3G-25.431(R8-8.0.0) |

Release 10

| | | | | | |
|------|----------------------------|--------|-----------|--------|---|
| ARIB | ARIB STD-T63-25.431 | 10.1.0 | Approved | Jul 13 | http://www.arib.or.jp/english/html/overview/doc/STD-T63v10_00/2_T63/ARIB-STD-T63/Rel10/25/A25431-a10.pdf |
| ATIS | ATIS.3GPP.25.431V1010-2012 | 10.1.0 | Approved | Jul 12 | https://www.atis.org/docstore/default.aspx |
| CCSA | CCSA-TSD-DS-25.431 | 10.1.0 | Published | Jun 12 | http://www.ccsa.org.cn/english/tc/files.php?docpath=/ITU-R/M.1457/M.1457-12/DS |
| ETSI | ETSI TS 125 431 | 10.1.0 | Published | Jul 11 | http://www.etsi.org/deliver/etsi_ts/125400_125499/125431/10.01.00_60/ |
| TTA | TTAT.3G-25.431(R10-10.1.0) | 10.1.0 | Approved | Aug 12 | http://www.tta.or.kr/data/ttasDown.jsp?where=14688&pk_num=TTAT.3G-25.431(R10-10.1.0) |

Release 11

| | | | | | |
|------|----------------------------|--------|-----------|--------|---|
| ARIB | ARIB STD-T63-25.431 | 11.0.0 | Approved | Jul 13 | http://www.arib.or.jp/english/html/overview/doc/STD-T63v10_00/2_T63/ARIB-STD-T63/Rel11/25/A25431-b00.pdf |
| ATIS | ATIS.3GPP.25.431V1100-2014 | 11.0.0 | Approved | May 14 | https://www.atis.org/docstore/default.aspx |
| CCSA | CCSA-TSD-DS-25.431 | 11.0.0 | Published | Jun 14 | http://www.ccsa.org.cn/english/tc/files.php?docpath=/ITU-R/M.1457/M.1457-12/DS |
| ETSI | ETSI TS 125 431 | 11.0.0 | Published | Oct 12 | http://www.etsi.org/deliver/etsi_ts/125400_125499/125431/11.00.00_60/ |
| TTA | TTAT.3G-25.431(R11-11.0.0) | 11.0.0 | published | Aug 14 | http://www.tta.or.kr/data/ttasDown.jsp?where=14688&pk_num=TTAT.3G-22.096(R11-11.0.0) |

5.1.2.3.20 TS 25.432**UTRAN Iub interface: signalling transport**

This specification describes the signalling transport related to the Node B application part (NBAP) signalling to be used across the Iub interface. The Iub interface is a logical interface for the interconnection of Node B and RNC components of the UTRAN. The RNC signalling between these nodes is based on NBAP.

| SDO (2) | Document No. | Version | Status | Issued date | Location (1) |
|-------------------|--------------------------|---------|-----------|-------------|---|
| Release 99 | | | | | |
| ARIB | ARIB STD-T63-25.432 | 3.1.0 | Approved | Jul 13 | http://www.arib.or.jp/english/html/overview/doc/STD-T63v10_00/2_T63/ARIB-STD-T63/R99/25/A25432-310.pdf |
| ATIS | T1.3GPP.25.432V310-2002 | 3.1.0 | Approved | May 02 | https://www.atis.org/docstore/default.aspx |
| CCSA | CCSA-TSD-DS-25.432 | 3.1.0 | Published | Feb 00 | http://www.ccsa.org.cn/english/tc/files.php?docpath=/ITU-R/M.1457/M.1457-12/DS |
| ETSI | ETSI TS 125 432 | 3.1.0 | Published | Feb 00 | http://www.etsi.org/deliver/etsi_ts/125400_125499/125432/03.01.00_60/ |
| TTA | TTAE.3G-25.432(F) | 3.1.0 | Approved | Mar 00 | http://www.tta.or.kr/data/ttasDown.jsp?where=14688&pk_num=TTAE.3G-25.432(F) |
| Release 4 | | | | | |
| ARIB | ARIB STD-T63-25.432 | 4.0.0 | Approved | Jul 13 | http://www.arib.or.jp/english/html/overview/doc/STD-T63v10_00/2_T63/ARIB-STD-T63/Rel4/25/A25432-400.pdf |
| ATIS | T1.3GPP.25.432V400-2002 | 4.0.0 | Approved | May 02 | https://www.atis.org/docstore/default.aspx |
| CCSA | CCSA-TSD-DS-25.432 | 4.0.0 | Published | Apr 01 | http://www.ccsa.org.cn/english/tc/files.php?docpath=/ITU-R/M.1457/M.1457-12/DS |
| ETSI | ETSI TS 125 432 | 4.0.0 | Published | Apr 01 | http://www.etsi.org/deliver/etsi_ts/125400_125499/125432/04.00.00_60/ |
| TTA | TTAE.3G-25.432(R4-4.0.0) | 4.0.0 | Approved | May 02 | http://www.tta.or.kr/data/ttasDown.jsp?where=14688&pk_num=TTAE.3G-25.432(R4-4.0.0) |
| Release 5 | | | | | |
| ARIB | ARIB STD-T63-25.432 | 5.1.0 | Approved | Jul 13 | http://www.arib.or.jp/english/html/overview/doc/STD-T63v10_00/2_T63/ARIB-STD-T63/Rel5/25/A25432-510.pdf |
| ATIS | T1.3GPP.25.432V510-2003 | 5.1.0 | Approved | Mar 03 | https://www.atis.org/docstore/default.aspx |
| CCSA | CCSA-TSD-DS-25.432 | 5.1.0 | Published | Oct 02 | http://www.ccsa.org.cn/english/tc/files.php?docpath=/ITU-R/M.1457/M.1457-12/DS |
| ETSI | ETSI TS 125 432 | 5.1.0 | Published | Oct 02 | http://www.etsi.org/deliver/etsi_ts/125400_125499/125432/05.01.00_60/ |
| TTA | TTAT.3G-25.432(R5-5.1.0) | 5.1.0 | Approved | Mar 03 | http://www.tta.or.kr/data/ttasDown.jsp?where=14688&pk_num=TTAT.3G-25.432(R5-5.1.0) |
| Release 6 | | | | | |
| ARIB | ARIB STD-T63-25.432 | 6.0.0 | Approved | Jul 13 | http://www.arib.or.jp/english/html/overview/doc/STD-T63v10_00/2_T63/ARIB-STD-T63/Rel6/25/A25432-600.pdf |
| ATIS | T1.3GPP.25.432V600-2004 | 6.0.0 | Approved | May 04 | https://www.atis.org/docstore/default.aspx |

| | | | | | |
|-------------------|----------------------------|--------|-----------|--------|---|
| CCSA | CCSA-TSD-DS-25.432 | 6.0.0 | Published | Jan 04 | http://www.ccsa.org.cn/english/tc/files.php?docpath=/ITU-R/M.1457/M.1457-12/DS |
| ETSI | ETSI TS 125 432 | 6.0.0 | Published | Jan 04 | http://www.etsi.org/deliver/etsi_ts/125400_125499/125432/06.00.00_60/ |
| TTA | TTAT.3G-25.432(R6-6.0.0) | 6.0.0 | Approved | May 04 | http://www.tta.or.kr/data/ttasDown.jsp?where=14688&pk_num=TTAT.3G-25.432(R6-6.0.0) |
| Release 7 | | | | | |
| ARIB | ARIB STD-T63-25.432 | 7.1.0 | Approved | Jul 13 | http://www.arib.or.jp/english/html/overview/doc/STD-T63v10_00/2_T63/ARIB-STD-T63/Rel7/25/A25432-710.pdf |
| ATIS | ATIS.3GPP.25.432V710-2007 | 7.1.0 | Approved | Oct 07 | https://www.atis.org/docstore/default.aspx |
| CCSA | CCSA-TSD-DS-25.432 | 7.1.0 | Published | Mar 07 | http://www.ccsa.org.cn/english/tc/files.php?docpath=/ITU-R/M.1457/M.1457-12/DS |
| ETSI | ETSI TS 125 432 | 7.1.0 | Published | Mar 07 | http://www.etsi.org/deliver/etsi_ts/125400_125499/125432/07.01.00_60/ |
| TTA | TTAT.3G-25.432(R7-7.1.0) | 7.1.0 | Approved | Dec 07 | http://www.tta.or.kr/data/ttasDown.jsp?where=14688&pk_num=TTAT.3G-25.432(R7-7.1.0) |
| Release 8 | | | | | |
| ARIB | ARIB STD-T63-25.432 | 8.0.0 | Approved | Jul 13 | http://www.arib.or.jp/english/html/overview/doc/STD-T63v10_00/2_T63/ARIB-STD-T63/Rel8/25/A25432-800.pdf |
| ATIS | ATIS.3GPP.25.432V800-2009 | 8.0.0 | Approved | Jul 09 | https://www.atis.org/docstore/default.aspx |
| CCSA | CCSA-TSD-DS-25.432 | 8.0.0 | Published | Jan 09 | http://www.ccsa.org.cn/english/tc/files.php?docpath=/ITU-R/M.1457/M.1457-12/DS |
| ETSI | ETSI TS 125 432 | 8.0.0 | Published | Jan 09 | http://www.etsi.org/deliver/etsi_ts/125400_125499/125432/08.00.00_60/ |
| TTA | TTAT.3G-25.432(R8-8.0.0) | 8.0.0 | Approved | Jul 09 | http://www.tta.or.kr/data/ttasDown.jsp?where=14688&pk_num=TTAT.3G-25.432(R8-8.0.0) |
| Release 9 | | | | | |
| ARIB | ARIB STD-T63-25.432 | 9.0.1 | Approved | Jul 13 | http://www.arib.or.jp/english/html/overview/doc/STD-T63v10_00/2_T63/ARIB-STD-T63/Rel9/25/A25432-901.pdf |
| ATIS | ATIS.3GPP.25.432V901-2012 | 9.0.1 | Approved | Jul 12 | https://www.atis.org/docstore/default.aspx |
| CCSA | CCSA-TSD-DS-25.432 | 9.0.1 | Published | Jun 12 | http://www.ccsa.org.cn/english/tc/files.php?docpath=/ITU-R/M.1457/M.1457-12/DS |
| ETSI | ETSI TS 125 432 | 9.0.1 | Published | Apr 11 | http://www.etsi.org/deliver/etsi_ts/125400_125499/125432/09.00.01_60/ |
| TTA | TTAT.3G-25.432(R9-9.0.0) | 9.0.0 | Approved | Jul 10 | http://www.tta.or.kr/data/ttasDown.jsp?where=14688&pk_num=TTAT.3G-25.432(R9-9.0.0) |
| Release 10 | | | | | |
| ARIB | ARIB STD-T63-25.432 | 10.1.0 | Approved | Jul 13 | http://www.arib.or.jp/english/html/overview/doc/STD-T63v10_00/2_T63/ARIB-STD-T63/Rel10/25/A25432-a10.pdf |
| ATIS | ATIS.3GPP.25.432V1010-2012 | 10.1.0 | Approved | Jul 12 | https://www.atis.org/docstore/default.aspx |
| CCSA | CCSA-TSD-DS-25.432 | 10.1.0 | Published | Jun 12 | http://www.ccsa.org.cn/english/tc/files.php?docpath=/ITU-R/M.1457/M.1457-12/DS |
| ETSI | ETSI TS 125 432 | 10.1.0 | Published | Jul 11 | http://www.etsi.org/deliver/etsi_ts/125400_125499/125432/10.01.00_60/ |
| TTA | TTAT.3G-25.432(R10-10.1.0) | 10.1.0 | Approved | Aug 12 | http://www.tta.or.kr/data/ttasDown.jsp?where=14688&pk_num=TTAT.3G-25.432(R10-10.1.0) |
| Release 11 | | | | | |
| ARIB | ARIB STD-T63-25.432 | 11.0.0 | Approved | Jul 13 | http://www.arib.or.jp/english/html/overview/doc/STD-T63v10_00/2_T63/ARIB-STD-T63/Rel11/25/A25432-b00.pdf |
| ATIS | ATIS.3GPP.25.432V1100-2014 | 11.0.0 | Approved | May 14 | https://www.atis.org/docstore/default.aspx |
| CCSA | CCSA-TSD-DS-25.432 | 11.0.0 | Published | Jun 14 | http://www.ccsa.org.cn/english/tc/files.php?docpath=/ITU-R/M.1457/M.1457-12/DS |
| ETSI | ETSI TS 125 432 | 11.0.0 | Published | Oct 12 | http://www.etsi.org/deliver/etsi_ts/125400_125499/125432/11.00.00_60/ |
| TTA | TTAT.3G-25.432(R11-11.0.0) | 11.0.0 | published | Aug 14 | http://www.tta.or.kr/data/ttasDown.jsp?where=14688&pk_num=TTAT.3G-22.097(R11-11.0.0) |

5.1.2.3.21 TS 25.433

UTRAN Iub interface Node B Application Part (NBAP) signalling

This specification describes the standards for NBAP specification to be used over Iub interface.

| SDO (2) | Document No. | Version | Status | Issued date | Location (1) |
|-------------------|----------------------------|---------|----------|-------------|---|
| Release 99 | | | | | |
| ARIB | ARIB STD-T63-25.433 | 3.14.2 | Approved | Jul 13 | http://www.arib.or.jp/english/html/overview/doc/STD-T63v10_00/2_T63/ARIB-STD-T63/R99/25/A25433-3e2.pdf |
| ATIS | ATIS.3GPP.25.433V3142-2005 | 3.14.2 | Approved | Apr 05 | https://www.atis.org/docstore/default.aspx |

| | | | | | |
|-------------------|----------------------------|--------|-----------|--------|---|
| CCSA | CCSA-TSD-DS-25.433 | 3.14.2 | Published | Oct 04 | http://www.ccsa.org.cn/english/tc/files.php?docpath=/ITU-R/M.1457/M.1457-12/DS |
| ETSI | ETSI TS 125 433 | 3.14.2 | Published | Oct 04 | http://www.etsi.org/deliver/etsi_ts/125400_125499/125433/03.14.02_60/ |
| TTA | TTAT.3G-25.433(R99-3.14.2) | 3.14.2 | Approved | May 05 | http://www.tta.or.kr/data/ttasDown.jsp?where=14688&pk_num=TTAT.3G-25.433(R99-3.14.2) |
| Release 4 | | | | | |
| ARIB | ARIB STD-T63-25.433 | 4.13.0 | Approved | Jul 13 | http://www.arib.or.jp/english/html/overview/doc/STD-T63v10_00/2_T63/ARIB-STD-T63/Rel4/25/A25433-4d0.pdf |
| ATIS | ATIS.3GPP.25.433V4130-2005 | 4.13.0 | Approved | Apr 05 | https://www.atis.org/docstore/default.aspx |
| CCSA | CCSA-TSD-DS-25.433 | 4.13.0 | Published | Oct 04 | http://www.ccsa.org.cn/english/tc/files.php?docpath=/ITU-R/M.1457/M.1457-12/DS |
| ETSI | ETSI TS 125 433 | 4.13.0 | Published | Oct 04 | http://www.etsi.org/deliver/etsi_ts/125400_125499/125433/04.13.00_60/ |
| TTA | TTAT.3G-25.433(R4-4.13.0) | 4.13.0 | Approved | May 05 | http://www.tta.or.kr/data/ttasDown.jsp?where=14688&pk_num=TTAT.3G-25.433(R4-4.13.0) |
| Release 5 | | | | | |
| ARIB | ARIB STD-T63-25.433 | 5.16.0 | Approved | Jul 13 | http://www.arib.or.jp/english/html/overview/doc/STD-T63v10_00/2_T63/ARIB-STD-T63/Rel5/25/A25433-5g0.pdf |
| ATIS | ATIS.3GPP.25.433V5160-2007 | 5.16.0 | Approved | Oct 07 | https://www.atis.org/docstore/default.aspx |
| CCSA | CCSA-TSD-DS-25.433 | 5.16.0 | Published | Oct 06 | http://www.ccsa.org.cn/english/tc/files.php?docpath=/ITU-R/M.1457/M.1457-12/DS |
| ETSI | ETSI TS 125 433 | 5.16.0 | Published | Oct 06 | http://www.etsi.org/deliver/etsi_ts/125400_125499/125433/05.16.00_60/ |
| TTA | TTAT.3G-25.433(R5-5.16.0) | 5.16.0 | Approved | Dec 07 | http://www.tta.or.kr/data/ttasDown.jsp?where=14688&pk_num=TTAT.3G-25.433(R5-5.16.0) |
| Release 6 | | | | | |
| ARIB | ARIB STD-T63-25.433 | 6.17.0 | Approved | Jul 13 | http://www.arib.or.jp/english/html/overview/doc/STD-T63v10_00/2_T63/ARIB-STD-T63/Rel6/25/A25433-6h0.pdf |
| ATIS | ATIS.3GPP.25.433V6170-2008 | 6.17.0 | Approved | Oct 08 | https://www.atis.org/docstore/default.aspx |
| CCSA | CCSA-TSD-DS-25.433 | 6.17.0 | Published | Jul 08 | http://www.ccsa.org.cn/english/tc/files.php?docpath=/ITU-R/M.1457/M.1457-12/DS |
| ETSI | ETSI TS 125 433 | 6.17.0 | Published | Jul 08 | http://www.etsi.org/deliver/etsi_ts/125400_125499/125433/06.17.00_60/ |
| TTA | TTAT.3G-25.433(R6-6.17.0) | 6.17.0 | Approved | Oct 08 | http://www.tta.or.kr/data/ttasDown.jsp?where=14688&pk_num=TTAT.3G-25.433(R6-6.17.0) |
| Release 7 | | | | | |
| ARIB | ARIB STD-T63-25.433 | 7.16.0 | Approved | Jul 13 | http://www.arib.or.jp/english/html/overview/doc/STD-T63v10_00/2_T63/ARIB-STD-T63/Rel7/25/A25433-7g0.pdf |
| ATIS | ATIS.3GPP.25.433V7160-2010 | 7.16.0 | Approved | Jul 10 | https://www.atis.org/docstore/default.aspx |
| CCSA | CCSA-TSD-DS-25.433 | 7.16.0 | Published | Jun 12 | http://www.ccsa.org.cn/english/tc/files.php?docpath=/ITU-R/M.1457/M.1457-12/DS |
| ETSI | ETSI TS 125 433 | 7.16.0 | Published | May 10 | http://www.etsi.org/deliver/etsi_ts/125400_125499/125433/07.16.00_60/ |
| TTA | TTAT.3G-25.433(R7-7.12.0) | 7.12.0 | Approved | Jul 09 | http://www.tta.or.kr/data/ttasDown.jsp?where=14688&pk_num=TTAT.3G-25.433(R7-7.12.0) |
| Release 8 | | | | | |
| ARIB | ARIB STD-T63-25.433 | 8.13.0 | Approved | Jul 13 | http://www.arib.or.jp/english/html/overview/doc/STD-T63v10_00/2_T63/ARIB-STD-T63/Rel8/25/A25433-8d0.pdf |
| ATIS | ATIS.3GPP.25.433V8130-2014 | 8.13.0 | Approved | May 14 | https://www.atis.org/docstore/default.aspx |
| CCSA | CCSA-TSD-DS-25.433 | 8.12.0 | Published | Jun 12 | http://www.ccsa.org.cn/english/tc/files.php?docpath=/ITU-R/M.1457/M.1457-12/DS |
| ETSI | ETSI TS 125 433 | 8.13.0 | Published | Jan 13 | http://www.etsi.org/deliver/etsi_ts/125400_125499/125433/08.13.00_60/ |
| TTA | TTAT.3G-25.433(R8-8.4.0) | 8.4.0 | Approved | Jul 09 | http://www.tta.or.kr/data/ttasDown.jsp?where=14688&pk_num=TTAT.3G-25.433(R8-8.4.0) |
| Release 9 | | | | | |
| ARIB | ARIB STD-T63-25.433 | 9.9.0 | Approved | Jul 13 | http://www.arib.or.jp/english/html/overview/doc/STD-T63v10_00/2_T63/ARIB-STD-T63/Rel9/25/A25433-990.pdf |
| ATIS | ATIS.3GPP.25.433V990-2014 | 9.9.0 | Approved | May 14 | https://www.atis.org/docstore/default.aspx |
| CCSA | CCSA-TSD-DS-25.433 | 9.8.0 | Published | Jun 12 | http://www.ccsa.org.cn/english/tc/files.php?docpath=/ITU-R/M.1457/M.1457-12/DS |
| ETSI | ETSI TS 125 433 | 9.9.0 | Published | Jan 13 | http://www.etsi.org/deliver/etsi_ts/125400_125499/125433/09.09.00_60/ |
| TTA | TTAT.3G-25.433(R9-9.2.0) | 9.2.0 | Approved | Jul 10 | http://www.tta.or.kr/data/ttasDown.jsp?where=14688&pk_num=TTAT.3G-25.433(R9-9.2.0) |
| Release 10 | | | | | |
| ARIB | ARIB STD-T63-25.433 | 10.9.0 | Approved | Jul 13 | http://www.arib.or.jp/english/html/overview/doc/STD-T63v10_00/2_T63/ARIB-STD-T63/Rel10/25/A25433-a90.pdf |
| ATIS | ATIS.3GPP.25.433V1090-2014 | 10.9.0 | Approved | May 14 | https://www.atis.org/docstore/default.aspx |
| CCSA | CCSA-TSD-DS-25.433 | 10.5.0 | Published | Jun 12 | http://www.ccsa.org.cn/english/tc/files.php?docpath=/ITU-R/M.1457/M.1457-12/DS |
| ETSI | ETSI TS 125 433 | 10.9.0 | Published | Apr 13 | http://www.etsi.org/deliver/etsi_ts/125400_125499/125433/10.09.00_60/ |

| | | | | | |
|-------------------|----------------------------|--------|-----------|--------|---|
| TTA | TTAT.3G-25.433(R10-10.5.0) | 10.5.0 | Approved | Aug 12 | http://www.tta.or.kr/data/ttasDown.jsp?where=14688&pk_num=TTAT.3G-25.433(R10-10.5.0) |
| Release 11 | | | | | |
| ARIB | ARIB STD-T63-25.433 | 11.4.0 | Approved | Jul 13 | http://www.arib.or.jp/english/html/overview/doc/STD-T63v10_00/2_T63/ARIB-STD-T63/Rel11/25/A25433-b40.pdf |
| ATIS | ATIS.3GPP.25.433V1140-2014 | 11.4.0 | Approved | May 14 | https://www.atis.org/docstore/default.aspx |
| CCSA | CCSA-TSD-DS-25.433 | 11.7.0 | Published | Jun 14 | http://www.ccsa.org.cn/english/tc/files.php?docpath=/ITU-R/M.1457/M.1457-12/DS |
| ETSI | ETSI TS 125 433 | 11.4.0 | Published | Apr 13 | http://www.etsi.org/deliver/etsi_ts/125400_125499/125433/11.04.00_60/ |
| TTA | TTAT.3G-25.433(R11-11.4.0) | 11.4.0 | published | Aug 14 | http://www.tta.or.kr/data/ttasDown.jsp?where=14688&pk_num=TTAT.3G-22.101(R11-11.8.0) |

5.1.2.3.22 TS 25.434

UTRAN Iub interface data transport and transport signalling for Common Transport Channel data streams

This specification describes the UTRAN RNC-Node B (Iub) interface data transport and transport signalling for CCH data streams.

| SDO (2) | Document No. | Version | Status | Issued date | Location (1) |
|-------------------|---------------------------|---------|-----------|-------------|---|
| Release 99 | | | | | |
| ARIB | ARIB STD-T63-25.434 | 3.8.0 | Approved | Jul 13 | http://www.arib.or.jp/english/html/overview/doc/STD-T63v10_00/2_T63/ARIB-STD-T63/R99/25/A25434-380.pdf |
| ATIS | T1.3GPP.25.434V380-2003 | 3.8.0 | Approved | Mar 03 | https://www.atis.org/docstore/default.aspx |
| CCSA | CCSA-TSD-DS-25.434 | 3.8.0 | Published | Jul 02 | http://www.ccsa.org.cn/english/tc/files.php?docpath=/ITU-R/M.1457/M.1457-12/DS |
| ETSI | ETSI TS 125 434 | 3.8.0 | Published | Jul 02 | http://www.etsi.org/deliver/etsi_ts/125400_125499/125434/03.08.00_60/ |
| TTA | TTAT.3G-25.434(R99-3.8.0) | 3.8.0 | Approved | Mar 03 | http://www.tta.or.kr/data/ttasDown.jsp?where=14688&pk_num=TTAT.3G-25.434(R99-3.8.0) |
| Release 4 | | | | | |
| ARIB | ARIB STD-T63-25.434 | 4.4.0 | Approved | Jul 13 | http://www.arib.or.jp/english/html/overview/doc/STD-T63v10_00/2_T63/ARIB-STD-T63/Rel4/25/A25434-440.pdf |
| ATIS | T1.3GPP.25.434V440-2003 | 4.4.0 | Approved | Mar 03 | https://www.atis.org/docstore/default.aspx |
| CCSA | CCSA-TSD-DS-25.434 | 4.4.0 | Published | Jul 02 | http://www.ccsa.org.cn/english/tc/files.php?docpath=/ITU-R/M.1457/M.1457-12/DS |
| ETSI | ETSI TS 125 434 | 4.4.0 | Published | Jul 02 | http://www.etsi.org/deliver/etsi_ts/125400_125499/125434/04.04.00_60/ |
| TTA | TTAT.3G-25.434(R4-4.4.0) | 4.4.0 | Approved | Mar 03 | http://www.tta.or.kr/data/ttasDown.jsp?where=14688&pk_num=TTAT.3G-25.434(R4-4.4.0) |
| Release 5 | | | | | |
| ARIB | ARIB STD-T63-25.434 | 5.5.0 | Approved | Jul 13 | http://www.arib.or.jp/english/html/overview/doc/STD-T63v10_00/2_T63/ARIB-STD-T63/Rel5/25/A25434-550.pdf |
| ATIS | ATIS.3GPP.25.434V550-2006 | 5.5.0 | Approved | Apr 06 | https://www.atis.org/docstore/default.aspx |
| CCSA | CCSA-TSD-DS-25.434 | 5.5.0 | Published | Jul 05 | http://www.ccsa.org.cn/english/tc/files.php?docpath=/ITU-R/M.1457/M.1457-12/DS |
| ETSI | ETSI TS 125 434 | 5.5.0 | Published | Jul 05 | http://www.etsi.org/deliver/etsi_ts/125400_125499/125434/05.05.00_60/ |
| TTA | TTAT.3G-25.434(R5-5.5.0) | 5.5.0 | Approved | Apr 06 | http://www.tta.or.kr/data/ttasDown.jsp?where=14688&pk_num=TTAT.3G-25.434(R5-5.5.0) |
| Release 6 | | | | | |
| ARIB | ARIB STD-T63-25.434 | 6.2.0 | Approved | Jul 13 | http://www.arib.or.jp/english/html/overview/doc/STD-T63v10_00/2_T63/ARIB-STD-T63/Rel6/25/A25434-620.pdf |
| ATIS | ATIS.3GPP.25.434V620-2006 | 6.2.0 | Approved | Apr 06 | https://www.atis.org/docstore/default.aspx |
| CCSA | CCSA-TSD-DS-25.434 | 6.2.0 | Published | Jul 05 | http://www.ccsa.org.cn/english/tc/files.php?docpath=/ITU-R/M.1457/M.1457-12/DS |
| ETSI | ETSI TS 125 434 | 6.2.0 | Published | Jul 05 | http://www.etsi.org/deliver/etsi_ts/125400_125499/125434/06.02.00_60/ |
| TTA | TTAT.3G-25.434(R6-6.2.0) | 6.2.0 | Approved | Apr 06 | http://www.tta.or.kr/data/ttasDown.jsp?where=14688&pk_num=TTAT.3G-25.434(R6-6.2.0) |
| Release 7 | | | | | |
| ARIB | ARIB STD-T63-25.434 | 7.2.0 | Approved | Jul 13 | http://www.arib.or.jp/english/html/overview/doc/STD-T63v10_00/2_T63/ARIB-STD-T63/Rel7/25/A25434-720.pdf |
| ATIS | ATIS.3GPP.25.434V720-2008 | 7.2.0 | Approved | Oct 08 | https://www.atis.org/docstore/default.aspx |
| CCSA | CCSA-TSD-DS-25.434 | 7.2.0 | Published | Jan 08 | http://www.ccsa.org.cn/english/tc/files.php?docpath=/ITU-R/M.1457/M.1457-12/DS |
| ETSI | ETSI TS 125 434 | 7.2.0 | Published | Jan 08 | http://www.etsi.org/deliver/etsi_ts/125400_125499/125434/07.02.00_60/ |
| TTA | TTAT.3G-25.434(R7-7.2.0) | 7.2.0 | Approved | Oct 08 | http://www.tta.or.kr/data/ttasDown.jsp?where=14688&pk_num=TTAT.3G-25.434(R7-7.2.0) |

Release 8

| | | | | | |
|------|---------------------------|-------|-----------|--------|---|
| ARIB | ARIB STD-T63-25.434 | 8.0.0 | Approved | Jul 13 | http://www.arib.or.jp/english/html/overview/doc/STD-T63v10_00/2_T63/ARIB-STD-T63/Rel8/25/A25434-800.pdf |
| ATIS | ATIS.3GPP.25.434V800-2009 | 8.0.0 | Approved | Jul 09 | https://www.atis.org/docstore/default.aspx |
| CCSA | CCSA-TSD-DS-25.434 | 8.0.0 | Published | Jan 09 | http://www.ccsa.org.cn/english/tc/files.php?docpath=/ITU-R/M.1457/M.1457-12/DS |
| ETSI | ETSI TS 125 434 | 8.0.0 | Published | Jan 09 | http://www.etsi.org/deliver/etsi_ts/125400_125499/125434/08.00.00_60/ |
| TTA | TTAT.3G-25.434(R8-8.0.0) | 8.0.0 | Approved | Jul 09 | http://www.tta.or.kr/data/ttasDown.jsp?where=14688&pk_num=TTAT.3G-25.434(R8-8.0.0) |

Release 9

| | | | | | |
|------|---------------------------|-------|-----------|--------|---|
| ARIB | ARIB STD-T63-25.434 | 9.0.1 | Approved | Jul 13 | http://www.arib.or.jp/english/html/overview/doc/STD-T63v10_00/2_T63/ARIB-STD-T63/Rel9/25/A25434-901.pdf |
| ATIS | ATIS.3GPP.25.434V901-2012 | 9.0.1 | Approved | Jul 12 | https://www.atis.org/docstore/default.aspx |
| CCSA | CCSA-TSD-DS-25.434 | 9.0.1 | Published | Jun 12 | http://www.ccsa.org.cn/english/tc/files.php?docpath=/ITU-R/M.1457/M.1457-12/DS |
| ETSI | ETSI TS 125 434 | 9.0.1 | Published | Apr 11 | http://www.etsi.org/deliver/etsi_ts/125400_125499/125434/09.00.01_60/ |
| TTA | TTAT.3G-25.434(R9-9.0.0) | 9.0.0 | Approved | Jul 10 | http://www.tta.or.kr/data/ttasDown.jsp?where=14688&pk_num=TTAT.3G-25.434(R9-9.0.0) |

Release 10

| | | | | | |
|------|----------------------------|--------|-----------|--------|---|
| ARIB | ARIB STD-T63-25.434 | 10.1.0 | Approved | Jul 13 | http://www.arib.or.jp/english/html/overview/doc/STD-T63v10_00/2_T63/ARIB-STD-T63/Rel10/25/A25434-a10.pdf |
| ATIS | ATIS.3GPP.25.434V1010-2012 | 10.1.0 | Approved | Jul 12 | https://www.atis.org/docstore/default.aspx |
| CCSA | CCSA-TSD-DS-25.434 | 10.1.0 | Published | Jun 12 | http://www.ccsa.org.cn/english/tc/files.php?docpath=/ITU-R/M.1457/M.1457-12/DS |
| ETSI | ETSI TS 125 434 | 10.1.0 | Published | Jul 11 | http://www.etsi.org/deliver/etsi_ts/125400_125499/125434/10.01.00_60/ |
| TTA | TTAT.3G-25.434(R10-10.1.0) | 10.1.0 | Approved | Aug 12 | http://www.tta.or.kr/data/ttasDown.jsp?where=14688&pk_num=TTAT.3G-25.434(R10-10.1.0) |

Release 11

| | | | | | |
|------|----------------------------|--------|-----------|--------|---|
| ARIB | ARIB STD-T63-25.434 | 11.0.0 | Approved | Jul 13 | http://www.arib.or.jp/english/html/overview/doc/STD-T63v10_00/2_T63/ARIB-STD-T63/Rel11/25/A25434-b00.pdf |
| ATIS | ATIS.3GPP.25.434V1100-2014 | 11.0.0 | Approved | May 14 | https://www.atis.org/docstore/default.aspx |
| CCSA | CCSA-TSD-DS-25.434 | 11.0.0 | Published | Jun 14 | http://www.ccsa.org.cn/english/tc/files.php?docpath=/ITU-R/M.1457/M.1457-12/DS |
| ETSI | ETSI TS 125 434 | 11.0.0 | Published | Oct 12 | http://www.etsi.org/deliver/etsi_ts/125400_125499/125434/11.00.00_60/ |
| TTA | TTAT.3G-25.434(R11-11.0.0) | 11.0.0 | published | Aug 14 | http://www.tta.or.kr/data/ttasDown.jsp?where=14688&pk_num=TTAT.3G-22.105(R11-11.0.1) |

5.1.2.3.23 TS 25.435**UTRAN Iub interface user plane protocols for Common Transport Channel data streams**

This specification describes the UTRAN RNC-Node B (Iub) interface user plane protocols for common transport channel data streams.

| SDO (2) | Document No. | Version | Status | Issued date | Location (1) |
|-------------------|----------------------------|---------|-----------|-------------|---|
| Release 99 | | | | | |
| ARIB | ARIB STD-T63-25.435 | 3.11.0 | Approved | Jul 13 | http://www.arib.or.jp/english/html/overview/doc/STD-T63v10_00/2_T63/ARIB-STD-T63/R99/25/A25435-3b0.pdf |
| ATIS | T1.3GPP.25.435V3110-2004 | 3.11.0 | Approved | May 04 | https://www.atis.org/docstore/default.aspx |
| CCSA | CCSA-TSD-DS-25.435 | 3.11.0 | Published | Jan 04 | http://www.ccsa.org.cn/english/tc/files.php?docpath=/ITU-R/M.1457/M.1457-12/DS |
| ETSI | ETSI TS 125 435 | 3.11.0 | Published | Jan 04 | http://www.etsi.org/deliver/etsi_ts/125400_125499/125435/03.11.00_60/ |
| TTA | TTAT.3G-25.435(R99-3.11.0) | 3.11.0 | Approved | May 04 | http://www.tta.or.kr/data/ttasDown.jsp?where=14688&pk_num=TTAT.3G-25.435(R99-3.11.0) |
| Release 4 | | | | | |
| ARIB | ARIB STD-T63-25.435 | 4.6.0 | Approved | Jul 13 | http://www.arib.or.jp/english/html/overview/doc/STD-T63v10_00/2_T63/ARIB-STD-T63/Rel4/25/A25435-460.pdf |
| ATIS | T1.3GPP.25.435V460-2004 | 4.6.0 | Approved | May 04 | https://www.atis.org/docstore/default.aspx |
| CCSA | CCSA-TSD-DS-25.435 | 4.6.0 | Published | Jan 04 | http://www.ccsa.org.cn/english/tc/files.php?docpath=/ITU-R/M.1457/M.1457-12/DS |
| ETSI | ETSI TS 125 435 | 4.6.0 | Published | Jan 04 | http://www.etsi.org/deliver/etsi_ts/125400_125499/125435/04.06.00_60/ |
| TTA | TTAT.3G-25.435(R4-4.6.0) | 4.6.0 | Approved | May 04 | http://www.tta.or.kr/data/ttasDown.jsp?where=14688&pk_num=TTAT.3G-25.435(R4-4.6.0) |

Release 5

| | | | | | |
|------|---------------------------|-------|-----------|--------|---|
| ARIB | ARIB STD-T63-25.435 | 5.9.0 | Approved | Jul 13 | http://www.arib.or.jp/english/html/overview/doc/STD-T63v10_00/2_T63/ARIB-STD-T63/Rel5/25/A25435-590.pdf |
| ATIS | ATIS.3GPP.25.435V590-2007 | 5.9.0 | Approved | Oct 07 | https://www.atis.org/docstore/default.aspx |
| CCSA | CCSA-TSD-DS-25.435 | 5.9.0 | Published | Oct 06 | http://www.ccsa.org.cn/english/tc/files.php?docpath=/ITU-R/M.1457/M.1457-12/DS |
| ETSI | ETSI TS 125 435 | 5.9.0 | Published | Oct 06 | http://www.etsi.org/deliver/etsi_ts/125400_125499/125435/05.09.00_60/ |
| TTA | TTAT.3G-25.435(R5-5.9.0) | 5.9.0 | Approved | Dec 07 | http://www.tta.or.kr/data/ttasDown.jsp?where=14688&pk_num=TTAT.3G-25.435(R5-5.9.0) |

Release 6

| | | | | | |
|------|---------------------------|-------|-----------|--------|---|
| ARIB | ARIB STD-T63-25.435 | 6.5.0 | Approved | Jul 13 | http://www.arib.or.jp/english/html/overview/doc/STD-T63v10_00/2_T63/ARIB-STD-T63/Rel6/25/A25435-650.pdf |
| ATIS | ATIS.3GPP.25.435V650-2009 | 6.5.0 | Approved | Jul 09 | https://www.atis.org/docstore/default.aspx |
| CCSA | CCSA-TSD-DS-25.435 | 6.5.0 | Published | Oct 08 | http://www.ccsa.org.cn/english/tc/files.php?docpath=/ITU-R/M.1457/M.1457-12/DS |
| ETSI | ETSI TS 125 435 | 6.5.0 | Published | Oct 08 | http://www.etsi.org/deliver/etsi_ts/125400_125499/125435/06.05.00_60/ |
| TTA | TTAT.3G-25.435(R6-6.5.0) | 6.5.0 | Approved | Jul 09 | http://www.tta.or.kr/data/ttasDown.jsp?where=14688&pk_num=TTAT.3G-25.435(R6-6.5.0) |

Release 7

| | | | | | |
|------|----------------------------|--------|-----------|--------|---|
| ARIB | ARIB STD-T63-25.435 | 7.12.0 | Approved | Jul 13 | http://www.arib.or.jp/english/html/overview/doc/STD-T63v10_00/2_T63/ARIB-STD-T63/Rel7/25/A25435-7c0.pdf |
| ATIS | ATIS.3GPP.25.435V7120-2010 | 7.12.0 | Approved | Jul 10 | https://www.atis.org/docstore/default.aspx |
| CCSA | CCSA-TSD-DS-25.435 | 7.12.0 | Published | Mar 10 | http://www.ccsa.org.cn/english/tc/files.php?docpath=/ITU-R/M.1457/M.1457-12/DS |
| ETSI | ETSI TS 125 435 | 7.12.0 | Published | Jul 09 | http://www.etsi.org/deliver/etsi_ts/125400_125499/125435/07.12.00_60/ |
| TTA | TTAT.3G-25.435(R7-7.11.0) | 7.11.0 | Approved | Jul 09 | http://www.tta.or.kr/data/ttasDown.jsp?where=14688&pk_num=TTAT.3G-25.435(R7-7.11.0) |

Release 8

| | | | | | |
|------|---------------------------|-------|-----------|--------|---|
| ARIB | ARIB STD-T63-25.435 | 8.7.0 | Approved | Jul 13 | http://www.arib.or.jp/english/html/overview/doc/STD-T63v10_00/2_T63/ARIB-STD-T63/Rel8/25/A25435-870.pdf |
| ATIS | ATIS.3GPP.25.435V870-2012 | 8.7.0 | Approved | Jul 12 | https://www.atis.org/docstore/default.aspx |
| CCSA | CCSA-TSD-DS-25.435 | 8.7.0 | Published | Jun 12 | http://www.ccsa.org.cn/english/tc/files.php?docpath=/ITU-R/M.1457/M.1457-12/DS |
| ETSI | ETSI TS 125 435 | 8.7.0 | Published | Jul 11 | http://www.etsi.org/deliver/etsi_ts/125400_125499/125435/08.07.00_60/ |
| TTA | TTAT.3G-25.435(R8-8.2.0) | 8.2.0 | Approved | Jul 09 | http://www.tta.or.kr/data/ttasDown.jsp?where=14688&pk_num=TTAT.3G-25.435(R8-8.2.0) |

Release 9

| | | | | | |
|------|---------------------------|-------|-----------|--------|---|
| ARIB | ARIB STD-T63-25.435 | 9.5.0 | Approved | Jul 13 | http://www.arib.or.jp/english/html/overview/doc/STD-T63v10_00/2_T63/ARIB-STD-T63/Rel9/25/A25435-950.pdf |
| ATIS | ATIS.3GPP.25.435V950-2014 | 9.5.0 | Approved | May 14 | https://www.atis.org/docstore/default.aspx |
| CCSA | CCSA-TSD-DS-25.435 | 9.5.0 | Published | Jun 12 | http://www.ccsa.org.cn/english/tc/files.php?docpath=/ITU-R/M.1457/M.1457-12/DS |
| ETSI | ETSI TS 125 435 | 9.5.0 | Published | Jan 12 | http://www.etsi.org/deliver/etsi_ts/125400_125499/125435/09.05.00_60/ |
| TTA | TTAT.3G-25.435(R9-9.1.0) | 9.1.0 | Approved | Jul 10 | http://www.tta.or.kr/data/ttasDown.jsp?where=14688&pk_num=TTAT.3G-25.435(R9-9.1.0) |

Release 10

| | | | | | |
|------|----------------------------|--------|-----------|--------|---|
| ARIB | ARIB STD-T63-25.435 | 10.5.0 | Approved | Jul 13 | http://www.arib.or.jp/english/html/overview/doc/STD-T63v10_00/2_T63/ARIB-STD-T63/Rel10/25/A25435-a50.pdf |
| ATIS | ATIS.3GPP.25.435V1050-2014 | 10.5.0 | Approved | May 14 | https://www.atis.org/docstore/default.aspx |
| CCSA | CCSA-TSD-DS-25.435 | 10.4.0 | Published | Jun 12 | http://www.ccsa.org.cn/english/tc/files.php?docpath=/ITU-R/M.1457/M.1457-12/DS |
| ETSI | ETSI TS 125 435 | 10.5.0 | Published | Jan 13 | http://www.etsi.org/deliver/etsi_ts/125400_125499/125435/10.05.00_60/ |
| TTA | TTAT.3G-25.435(R10-10.4.0) | 10.4.0 | Approved | Aug 12 | http://www.tta.or.kr/data/ttasDown.jsp?where=14688&pk_num=TTAT.3G-25.435(R10-10.4.0) |

Release 11

| | | | | | |
|------|----------------------------|--------|-----------|--------|---|
| ARIB | ARIB STD-T63-25.435 | 11.2.0 | Approved | Jul 13 | http://www.arib.or.jp/english/html/overview/doc/STD-T63v10_00/2_T63/ARIB-STD-T63/Rel11/25/A25435-b20.pdf |
| ATIS | ATIS.3GPP.25.435V1120-2014 | 11.2.0 | Approved | May 14 | https://www.atis.org/docstore/default.aspx |
| CCSA | CCSA-TSD-DS-25.435 | 11.2.0 | Published | Jun 14 | http://www.ccsa.org.cn/english/tc/files.php?docpath=/ITU-R/M.1457/M.1457-12/DS |
| ETSI | ETSI TS 125 435 | 11.2.0 | Published | Apr 13 | http://www.etsi.org/deliver/etsi_ts/125400_125499/125435/11.02.00_60/ |
| TTA | TTAT.3G-25.435(R11-11.2.0) | 11.2.0 | published | Aug 14 | http://www.tta.or.kr/data/ttasDown.jsp?where=14688&pk_num=TTAT.3G-22.115(R11-11.6.0) |

5.1.2.3.24 TS 25.442

UTRAN implementation-specific O&M transport

This specification describes the transport of implementation specific O&M signalling between Node B and the management platform in case that the transport is routed via the RNC.

| SDO (2) | Document No. | Version | Status | Issued date | Location (1) |
|-------------------|---------------------------|---------|-----------|-------------|---|
| Release 99 | | | | | |
| ARIB | ARIB STD-T63-25.442 | 3.1.0 | Approved | Jul 13 | http://www.arib.or.jp/english/html/overview/doc/STD-T63v10_00/2_T63/ARIB-STD-T63/R99/25/A25442-310.pdf |
| ATIS | T1.3GPP.25.442V310-2002 | 3.1.0 | Approved | May 02 | https://www.atis.org/docstore/default.aspx |
| CCSA | CCSA-TSD-DS-25.442 | 3.1.0 | Published | May 00 | http://www.ccsa.org.cn/english/tc/files.php?docpath=/ITU-R/M.1457/M.1457-12/DS |
| ETSI | ETSI TS 125 442 | 3.1.0 | Published | May 00 | http://www.etsi.org/deliver/etsi_ts/125400_125499/125442/03.01.00_60/ |
| TTA | TTAE.3G-25.442(R99-3.1.0) | 3.1.0 | Approved | May 02 | http://www.tta.or.kr/data/ttasDown.jsp?where=14688&pk_num=TTAE.3G-25.442(R99-3.1.0) |
| Release 4 | | | | | |
| ARIB | ARIB STD-T63-25.442 | 4.0.0 | Approved | Jul 13 | http://www.arib.or.jp/english/html/overview/doc/STD-T63v10_00/2_T63/ARIB-STD-T63/Rel4/25/A25442-400.pdf |
| ATIS | T1.3GPP.25.442V400-2002 | 4.0.0 | Approved | May 02 | https://www.atis.org/docstore/default.aspx |
| CCSA | CCSA-TSD-DS-25.442 | 4.0.0 | Published | Apr 01 | http://www.ccsa.org.cn/english/tc/files.php?docpath=/ITU-R/M.1457/M.1457-12/DS |
| ETSI | ETSI TS 125 442 | 4.0.0 | Published | Apr 01 | http://www.etsi.org/deliver/etsi_ts/125400_125499/125442/04.00.00_60/ |
| TTA | TTAE.3G-25.442(R4-4.0.0) | 4.0.0 | Approved | May 02 | http://www.tta.or.kr/data/ttasDown.jsp?where=14688&pk_num=TTAE.3G-25.442(R4-4.0.0) |
| Release 5 | | | | | |
| ARIB | ARIB STD-T63-25.442 | 5.1.0 | Approved | Jul 13 | http://www.arib.or.jp/english/html/overview/doc/STD-T63v10_00/2_T63/ARIB-STD-T63/Rel5/25/A25442-510.pdf |
| ATIS | T1.3GPP.25.442V510-2003 | 5.1.0 | Approved | Mar 03 | https://www.atis.org/docstore/default.aspx |
| CCSA | CCSA-TSD-DS-25.442 | 5.1.0 | Published | Oct 02 | http://www.ccsa.org.cn/english/tc/files.php?docpath=/ITU-R/M.1457/M.1457-12/DS |
| ETSI | ETSI TS 125 442 | 5.1.0 | Published | Oct 02 | http://www.etsi.org/deliver/etsi_ts/125400_125499/125442/05.01.00_60/ |
| TTA | TTAT.3G-25.442(R5-5.1.0) | 5.1.0 | Approved | Mar 03 | http://www.tta.or.kr/data/ttasDown.jsp?where=14688&pk_num=TTAT.3G-25.442(R5-5.1.0) |
| Release 6 | | | | | |
| ARIB | ARIB STD-T63-25.442 | 6.0.0 | Approved | Jul 13 | http://www.arib.or.jp/english/html/overview/doc/STD-T63v10_00/2_T63/ARIB-STD-T63/Rel6/25/A25442-600.pdf |
| ATIS | T1.3GPP.25.442V600-2004 | 6.0.0 | Approved | May 04 | https://www.atis.org/docstore/default.aspx |
| CCSA | CCSA-TSD-DS-25.442 | 6.0.0 | Published | Jan 04 | http://www.ccsa.org.cn/english/tc/files.php?docpath=/ITU-R/M.1457/M.1457-12/DS |
| ETSI | ETSI TS 125 442 | 6.0.0 | Published | Jan 04 | http://www.etsi.org/deliver/etsi_ts/125400_125499/125442/06.00.00_60/ |
| TTA | TTAT.3G-25.442(R6-6.0.0) | 6.0.0 | Approved | May 04 | http://www.tta.or.kr/data/ttasDown.jsp?where=14688&pk_num=TTAT.3G-25.442(R6-6.0.0) |
| Release 7 | | | | | |
| ARIB | ARIB STD-T63-25.442 | 7.0.0 | Approved | Jul 13 | http://www.arib.or.jp/english/html/overview/doc/STD-T63v10_00/2_T63/ARIB-STD-T63/Rel7/25/A25442-700.pdf |
| ATIS | ATIS.3GPP.25.442V700-2007 | 7.0.0 | Approved | Oct 07 | https://www.atis.org/docstore/default.aspx |
| CCSA | CCSA-TSD-DS-25.442 | 7.0.0 | Published | May 06 | http://www.ccsa.org.cn/english/tc/files.php?docpath=/ITU-R/M.1457/M.1457-12/DS |
| ETSI | ETSI TS 125 442 | 7.0.0 | Published | May 06 | http://www.etsi.org/deliver/etsi_ts/125400_125499/125442/07.00.00_60/ |
| TTA | TTAT.3G-25.442(R7-7.0.0) | 7.0.0 | Approved | Dec 07 | http://www.tta.or.kr/data/ttasDown.jsp?where=14688&pk_num=TTAT.3G-25.442(R7-7.0.0) |
| Release 8 | | | | | |
| ARIB | ARIB STD-T63-25.442 | 8.0.0 | Approved | Jul 13 | http://www.arib.or.jp/english/html/overview/doc/STD-T63v10_00/2_T63/ARIB-STD-T63/Rel8/25/A25442-800.pdf |
| ATIS | ATIS.3GPP.25.442V800-2009 | 8.0.0 | Approved | Jul 09 | https://www.atis.org/docstore/default.aspx |
| CCSA | CCSA-TSD-DS-25.442 | 8.0.0 | Published | Jan 09 | http://www.ccsa.org.cn/english/tc/files.php?docpath=/ITU-R/M.1457/M.1457-12/DS |
| ETSI | ETSI TS 125 442 | 8.0.0 | Published | Jan 09 | http://www.etsi.org/deliver/etsi_ts/125400_125499/125442/08.00.00_60/ |
| TTA | TTAT.3G-25.442(R8-8.0.0) | 8.0.0 | Approved | Jul 09 | http://www.tta.or.kr/data/ttasDown.jsp?where=14688&pk_num=TTAT.3G-25.442(R8-8.0.0) |
| Release 9 | | | | | |
| ARIB | ARIB STD-T63-25.442 | 9.0.1 | Approved | Jul 13 | http://www.arib.or.jp/english/html/overview/doc/STD-T63v10_00/2_T63/ARIB-STD-T63/Rel9/25/A25442-901.pdf |

| | | | | | |
|-------------------|----------------------------|--------|-----------|--------|---|
| ATIS | ATIS.3GPP.25.442V901-2012 | 9.0.1 | Approved | Jul 12 | https://www.atis.org/docstore/default.aspx |
| CCSA | CCSA-TSD-DS-25.442 | 9.0.1 | Published | Jun 12 | http://www.ccsa.org.cn/english/tc/files.php?docpath=/ITU-R/M.1457/M.1457-12/DS |
| ETSI | ETSI TS 125 442 | 9.0.1 | Published | May 11 | http://www.etsi.org/deliver/etsi_ts/125400_125499/125442/09.00.01_60/ |
| TTA | TTAT.3G-25.442(R9-9.0.0) | 9.0.0 | Approved | Jul 10 | http://www.tta.or.kr/data/ttasDown.jsp?where=14688&pk_num=TTAT.3G-25.442(R9-9.0.0) |
| Release 10 | | | | | |
| ARIB | ARIB STD-T63-25.442 | 10.1.0 | Approved | Jul 13 | http://www.arib.or.jp/english/html/overview/doc/STD-T63v10_00/2_T63/ARIB-STD-T63/Rel10/25/A25442-a10.pdf |
| ATIS | ATIS.3GPP.25.442V1010-2012 | 10.1.0 | Approved | Jul 12 | https://www.atis.org/docstore/default.aspx |
| CCSA | CCSA-TSD-DS-25.442 | 10.1.0 | Published | Jun 12 | http://www.ccsa.org.cn/english/tc/files.php?docpath=/ITU-R/M.1457/M.1457-12/DS |
| ETSI | ETSI TS 125 442 | 10.1.0 | Published | Jul 11 | http://www.etsi.org/deliver/etsi_ts/125400_125499/125442/10.01.00_60/ |
| TTA | TTAT.3G-25.442(R10-10.1.0) | 10.1.0 | Approved | Aug 12 | http://www.tta.or.kr/data/ttasDown.jsp?where=14688&pk_num=TTAT.3G-25.442(R10-10.1.0) |
| Release 11 | | | | | |
| ARIB | ARIB STD-T63-25.442 | 11.0.0 | Approved | Jul 13 | http://www.arib.or.jp/english/html/overview/doc/STD-T63v10_00/2_T63/ARIB-STD-T63/Rel11/25/A25442-b00.pdf |
| ATIS | ATIS.3GPP.25.442V1100-2014 | 11.0.0 | Approved | May 14 | https://www.atis.org/docstore/default.aspx |
| CCSA | CCSA-TSD-DS-25.442 | 11.0.0 | Published | Jun 14 | http://www.ccsa.org.cn/english/tc/files.php?docpath=/ITU-R/M.1457/M.1457-12/DS |
| ETSI | ETSI TS 125 442 | 11.0.0 | Published | Oct 12 | http://www.etsi.org/deliver/etsi_ts/125400_125499/125442/11.00.00_60/ |
| TTA | TTAT.3G-25.442(R11-11.0.0) | 11.0.0 | published | Aug 14 | http://www.tta.or.kr/data/ttasDown.jsp?where=14688&pk_num=TTAT.3G-22.129(R11-11.0.0) |

5.1.2.3.25 TS 25.446

MBMS synchronisation protocol (SYNC)

This specification describes the MBMS Synchronisation Protocol. For the release of this specification it is used on Iu towards UTRAN.

| SDO (2) | Document No. | Version | Status | Issued date | Location (1) |
|-------------------|----------------------------|---------|-----------|-------------|---|
| Release 8 | | | | | |
| ARIB | ARIB STD-T63-25.446 | 8.2.0 | Approved | Jul 13 | http://www.arib.or.jp/english/html/overview/doc/STD-T63v10_00/2_T63/ARIB-STD-T63/Rel8/25/A25446-820.pdf |
| ATIS | ATIS.3GPP.25.446V820-2010 | 8.2.0 | Approved | Jul 10 | https://www.atis.org/docstore/default.aspx |
| CCSA | CCSA-TSD-DS-25.446 | 8.2.0 | Published | Jun 12 | http://www.ccsa.org.cn/english/tc/files.php?docpath=/ITU-R/M.1457/M.1457-12/DS |
| ETSI | ETSI TS 125 446 | 8.2.0 | Published | Apr 10 | http://www.etsi.org/deliver/etsi_ts/125400_125499/125446/08.02.00_60/ |
| TTA | TTAE.3G-25.446(R8-8.0.0) | 8.0.0 | Approved | Jul 09 | http://www.tta.or.kr/data/ttasDown.jsp?where=14688&pk_num=TTAE.3G-25.446(R8-8.0.0) |
| Release 9 | | | | | |
| ARIB | ARIB STD-T63-25.446 | 9.2.1 | Approved | Jul 13 | http://www.arib.or.jp/english/html/overview/doc/STD-T63v10_00/2_T63/ARIB-STD-T63/Rel9/25/A25446-921.pdf |
| ATIS | ATIS.3GPP.25.446V921-2012 | 9.2.1 | Approved | Jul 12 | https://www.atis.org/docstore/default.aspx |
| CCSA | CCSA-TSD-DS-25.446 | 9.2.1 | Published | Jun 12 | http://www.ccsa.org.cn/english/tc/files.php?docpath=/ITU-R/M.1457/M.1457-12/DS |
| ETSI | ETSI TS 125 446 | 9.2.1 | Published | Apr 11 | http://www.etsi.org/deliver/etsi_ts/125400_125499/125446/09.02.01_60/ |
| TTA | TTAE.3G-25.446(R9-9.1.0) | 9.1.0 | Approved | Jul 10 | http://www.tta.or.kr/data/ttasDown.jsp?where=14688&pk_num=TTAE.3G-25.446(R9-9.1.0) |
| Release 10 | | | | | |
| ARIB | ARIB STD-T63-25.446 | 10.2.0 | Approved | Jul 13 | http://www.arib.or.jp/english/html/overview/doc/STD-T63v10_00/2_T63/ARIB-STD-T63/Rel10/25/A25446-a20.pdf |
| ATIS | ATIS.3GPP.25.446V1020-2014 | 10.2.0 | Approved | May 14 | https://www.atis.org/docstore/default.aspx |
| CCSA | CCSA-TSD-DS-25.446 | 10.2.0 | Published | Jun 12 | http://www.ccsa.org.cn/english/tc/files.php?docpath=/ITU-R/M.1457/M.1457-12/DS |
| ETSI | ETSI TS 125 446 | 10.2.0 | Published | Jan 12 | http://www.etsi.org/deliver/etsi_ts/125400_125499/125446/10.02.00_60/ |
| TTA | TTAT.3G-25.446(R10-10.2.0) | 10.2.0 | Approved | Aug 12 | http://www.tta.or.kr/data/ttasDown.jsp?where=14688&pk_num=TTAT.3G-25.446(R10-10.2.0) |
| Release 11 | | | | | |
| ARIB | ARIB STD-T63-25.446 | 11.0.0 | Approved | Jul 13 | http://www.arib.or.jp/english/html/overview/doc/STD-T63v10_00/2_T63/ARIB-STD-T63/Rel11/25/A25446-b00.pdf |
| ATIS | ATIS.3GPP.25.446V1100-2014 | 11.0.0 | Approved | May 14 | https://www.atis.org/docstore/default.aspx |

| | | | | | |
|------|----------------------------|--------|-----------|--------|---|
| CCSA | CCSA-TSD-DS-25.446 | 11.0.0 | Published | Jun 14 | http://www.ccsa.org.cn/english/tc/files.php?docpath=/ITU-R/M.1457/M.1457-12/DS |
| ETSI | ETSI TS 125 446 | 11.0.0 | Published | Oct 12 | http://www.etsi.org/deliver/etsi_ts/125400_125499/125446/11.00.00_60/ |
| TTA | TTAT.3G-25.446(R11-11.0.0) | 11.0.0 | published | Aug 14 | http://www.tta.or.kr/data/ttasDown.jsp?where=14688&pk_num=TTAT.3G-22.135(R11-11.0.0) |

5.1.2.3.26 TS 25.450

UTRAN Iupc interface general aspects and principles

This document is an introduction to the TSG RAN TS 25.45z series of UMTS Technical Specifications that define the Iupc Interface. The Iupc interface is a logical interface for the interconnection of Standalone SMLC (SAS) and Radio Network Controller (RNC) components of the Universal Terrestrial Radio Access Network (UTRAN) for the UMTS system.

| SDO (2) | Document No. | Version | Status | Issued date | Location (1) |
|------------------|---------------------------|---------|-----------|-------------|---|
| Release 5 | | | | | |
| ARIB | ARIB STD-T63-25.450 | 5.2.0 | Approved | Jul 13 | http://www.arib.or.jp/english/html/overview/doc/STD-T63v10_00/2_T63/ARIB-STD-T63/Rel5/25/A25450-520.pdf |
| ATIS | ATIS.3GPP.25.450V520-2006 | 5.2.0 | Approved | Apr 06 | https://www.atis.org/docstore/default.aspx |
| CCSA | CCSA-TSD-DS-25.450 | 5.2.0 | Published | Jul 05 | http://www.ccsa.org.cn/english/tc/files.php?docpath=/ITU-R/M.1457/M.1457-12/DS |
| ETSI | ETSI TS 125 450 | 5.2.0 | Published | Jul 05 | http://www.etsi.org/deliver/etsi_ts/125400_125499/125450/05.02.00_60/ |
| TTA | TTAE.3G-25.450(R5-5.2.0) | 5.2.0 | Approved | Apr 06 | http://www.tta.or.kr/data/ttasDown.jsp?where=14688&pk_num=TTAE.3G-25.450(R5-5.2.0) |
| Release 6 | | | | | |
| ARIB | ARIB STD-T63-25.450 | 6.2.0 | Approved | Jul 13 | http://www.arib.or.jp/english/html/overview/doc/STD-T63v10_00/2_T63/ARIB-STD-T63/Rel6/25/A25450-620.pdf |
| ATIS | ATIS.3GPP.25.450V620-2006 | 6.2.0 | Approved | Apr 06 | https://www.atis.org/docstore/default.aspx |
| CCSA | CCSA-TSD-DS-25.450 | 6.2.0 | Published | Oct 05 | http://www.ccsa.org.cn/english/tc/files.php?docpath=/ITU-R/M.1457/M.1457-12/DS |
| ETSI | ETSI TS 125 450 | 6.2.0 | Published | Oct 05 | http://www.etsi.org/deliver/etsi_ts/125400_125499/125450/06.02.00_60/ |
| TTA | TTAT.3G-25.450(R6-6.2.0) | 6.2.0 | Approved | Apr 06 | http://www.tta.or.kr/data/ttasDown.jsp?where=14688&pk_num=TTAT.3G-25.450(R6-6.2.0) |
| Release 7 | | | | | |
| ARIB | ARIB STD-T63-25.450 | 7.2.0 | Approved | Jul 13 | http://www.arib.or.jp/english/html/overview/doc/STD-T63v10_00/2_T63/ARIB-STD-T63/Rel7/25/A25450-720.pdf |
| ATIS | ATIS.3GPP.25.450V720-2007 | 7.2.0 | Approved | Oct 07 | https://www.atis.org/docstore/default.aspx |
| CCSA | CCSA-TSD-DS-25.450 | 7.2.0 | Published | Oct 07 | http://www.ccsa.org.cn/english/tc/files.php?docpath=/ITU-R/M.1457/M.1457-12/DS |
| ETSI | ETSI TS 125 450 | 7.2.0 | Published | Oct 07 | http://www.etsi.org/deliver/etsi_ts/125400_125499/125450/07.02.00_60/ |
| TTA | TTAT.3G-25.450(R7-7.2.0) | 7.2.0 | Approved | Dec 07 | http://www.tta.or.kr/data/ttasDown.jsp?where=14688&pk_num=TTAT.3G-25.450(R7-7.2.0) |
| Release 8 | | | | | |
| ARIB | ARIB STD-T63-25.450 | 8.0.0 | Approved | Jul 13 | http://www.arib.or.jp/english/html/overview/doc/STD-T63v10_00/2_T63/ARIB-STD-T63/Rel8/25/A25450-800.pdf |
| ATIS | ATIS.3GPP.25.450V800-2009 | 8.0.0 | Approved | Jul 09 | https://www.atis.org/docstore/default.aspx |
| CCSA | CCSA-TSD-DS-25.450 | 8.0.0 | Published | Jan 09 | http://www.ccsa.org.cn/english/tc/files.php?docpath=/ITU-R/M.1457/M.1457-12/DS |
| ETSI | ETSI TS 125 450 | 8.0.0 | Published | Jan 09 | http://www.etsi.org/deliver/etsi_ts/125400_125499/125450/08.00.00_60/ |
| TTA | TTAT.3G-25.450(R8-8.0.0) | 8.0.0 | Approved | Jul 09 | http://www.tta.or.kr/data/ttasDown.jsp?where=14688&pk_num=TTAT.3G-25.450(R8-8.0.0) |
| Release 9 | | | | | |
| ARIB | ARIB STD-T63-25.450 | 9.0.1 | Approved | Jul 13 | http://www.arib.or.jp/english/html/overview/doc/STD-T63v10_00/2_T63/ARIB-STD-T63/Rel9/25/A25450-901.pdf |
| ATIS | ATIS.3GPP.25.450V901-2012 | 9.0.1 | Approved | Jul 12 | https://www.atis.org/docstore/default.aspx |
| CCSA | CCSA-TSD-DS-25.450 | 9.0.1 | Published | Jun 12 | http://www.ccsa.org.cn/english/tc/files.php?docpath=/ITU-R/M.1457/M.1457-12/DS |
| ETSI | ETSI TS 125 450 | 9.0.1 | Published | Apr 11 | http://www.etsi.org/deliver/etsi_ts/125400_125499/125450/09.00.01_60/ |
| TTA | TTAT.3G-25.450(R9-9.0.0) | 9.0.0 | Approved | Jul 10 | http://www.tta.or.kr/data/ttasDown.jsp?where=14688&pk_num=TTAT.3G-25.450(R9-9.0.0) |

Release 10

| | | | | | |
|------|----------------------------|--------|-----------|--------|---|
| ARIB | ARIB STD-T63-25.450 | 10.1.0 | Approved | Jul 13 | http://www.arib.or.jp/english/html/overview/doc/STD-T63v10_00/2_T63/ARIB-STD-T63/Rel10/25/A25450-a10.pdf |
| ATIS | ATIS.3GPP.25.450V1010-2012 | 10.1.0 | Approved | Jul 12 | https://www.atis.org/docstore/default.aspx |
| CCSA | CCSA-TSD-DS-25.450 | 10.1.0 | Published | Jun 12 | http://www.ccsa.org.cn/english/tc/files.php?docpath=/ITU-R/M.1457/M.1457-12/DS |
| ETSI | ETSI TS 125 450 | 10.1.0 | Published | Jul 11 | http://www.etsi.org/deliver/etsi_ts/125400_125499/125450/10.01.00_60/ |
| TTA | TTAT.3G-25.450(R10-10.1.0) | 10.1.0 | Approved | Aug 12 | http://www.tta.or.kr/data/ttasDown.jsp?where=14688&pk_num=TTAT.3G-25.450(R10-10.1.0) |

Release 11

| | | | | | |
|------|----------------------------|--------|-----------|--------|---|
| ARIB | ARIB STD-T63-25.450 | 11.0.0 | Approved | Jul 13 | http://www.arib.or.jp/english/html/overview/doc/STD-T63v10_00/2_T63/ARIB-STD-T63/Rel11/25/A25450-b00.pdf |
| ATIS | ATIS.3GPP.25.450V1100-2014 | 11.0.0 | Approved | May 14 | https://www.atis.org/docstore/default.aspx |
| CCSA | CCSA-TSD-DS-25.450 | 11.0.0 | Published | Jun 14 | http://www.ccsa.org.cn/english/tc/files.php?docpath=/ITU-R/M.1457/M.1457-12/DS |
| ETSI | ETSI TS 125 450 | 11.0.0 | Published | Oct 12 | http://www.etsi.org/deliver/etsi_ts/125400_125499/125450/11.00.00_60/ |
| TTA | TTAT.3G-25.450(R11-11.0.0) | 11.0.0 | published | Aug 14 | http://www.tta.or.kr/data/ttasDown.jsp?where=14688&pk_num=TTAT.3G-22.140(R11-11.0.0) |

5.1.2.3.27 TS 25.451**UTRAN Iupc interface layer 1**

This document specifies the standards allowed to implement Layer 1 on the Iupc interface.

| SDO (2) | Document No. | Version | Status | Issued date | Location (1) |
|------------------|---------------------------|---------|-----------|-------------|---|
| Release 5 | | | | | |
| ARIB | ARIB STD-T63-25.451 | 5.0.1 | Approved | Jul 13 | http://www.arib.or.jp/english/html/overview/doc/STD-T63v10_00/2_T63/ARIB-STD-T63/Rel5/25/A25451-501.pdf |
| ATIS | T1.3GPP.25.451V501-2002 | 5.0.1 | Approved | May 02 | https://www.atis.org/docstore/default.aspx |
| CCSA | CCSA-TSD-DS-25.451 | 5.0.1 | Published | Apr 02 | http://www.ccsa.org.cn/english/tc/files.php?docpath=/ITU-R/M.1457/M.1457-12/DS |
| ETSI | ETSI TS 125 451 | 5.0.1 | Published | Apr 02 | http://www.etsi.org/deliver/etsi_ts/125400_125499/125451/05.00.01_60/ |
| TTA | TTAT.3G-25.451(R5-5.0.1) | 5.0.1 | Approved | Mar 03 | http://www.tta.or.kr/data/ttasDown.jsp?where=14688&pk_num=TTAT.3G-25.451(R5-5.0.1) |
| Release 6 | | | | | |
| ARIB | ARIB STD-T63-25.451 | 6.0.0 | Approved | Jul 13 | http://www.arib.or.jp/english/html/overview/doc/STD-T63v10_00/2_T63/ARIB-STD-T63/Rel6/25/A25451-600.pdf |
| ATIS | T1.3GPP.25.451V600-2004 | 6.0.0 | Approved | May 04 | https://www.atis.org/docstore/default.aspx |
| CCSA | CCSA-TSD-DS-25.451 | 6.0.0 | Published | Jan 04 | http://www.ccsa.org.cn/english/tc/files.php?docpath=/ITU-R/M.1457/M.1457-12/DS |
| ETSI | ETSI TS 125 451 | 6.0.0 | Published | Jan 04 | http://www.etsi.org/deliver/etsi_ts/125400_125499/125451/06.00.00_60/ |
| TTA | TTAT.3G-25.451(R6-6.0.0) | 6.0.0 | Approved | May 05 | http://www.tta.or.kr/data/ttasDown.jsp?where=14688&pk_num=TTAT.3G-25.451(R6-6.0.0) |
| Release 7 | | | | | |
| ARIB | ARIB STD-T63-25.451 | 7.0.0 | Approved | Jul 13 | http://www.arib.or.jp/english/html/overview/doc/STD-T63v10_00/2_T63/ARIB-STD-T63/Rel7/25/A25451-700.pdf |
| ATIS | ATIS.3GPP.25.451V700-2007 | 7.0.0 | Approved | Oct 07 | https://www.atis.org/docstore/default.aspx |
| CCSA | CCSA-TSD-DS-25.451 | 7.0.0 | Published | May 06 | http://www.ccsa.org.cn/english/tc/files.php?docpath=/ITU-R/M.1457/M.1457-12/DS |
| ETSI | ETSI TS 125 451 | 7.0.0 | Published | May 06 | http://www.etsi.org/deliver/etsi_ts/125400_125499/125451/07.00.00_60/ |
| TTA | TTAT.3G-25.451(R7-7.0.0) | 7.0.0 | Approved | Dec 07 | http://www.tta.or.kr/data/ttasDown.jsp?where=14688&pk_num=TTAT.3G-25.451(R7-7.0.0) |
| Release 8 | | | | | |
| ARIB | ARIB STD-T63-25.451 | 8.0.0 | Approved | Jul 13 | http://www.arib.or.jp/english/html/overview/doc/STD-T63v10_00/2_T63/ARIB-STD-T63/Rel8/25/A25451-800.pdf |
| ATIS | ATIS.3GPP.25.451V800-2009 | 8.0.0 | Approved | Jul 09 | https://www.atis.org/docstore/default.aspx |
| CCSA | CCSA-TSD-DS-25.451 | 8.0.0 | Published | Jan 09 | http://www.ccsa.org.cn/english/tc/files.php?docpath=/ITU-R/M.1457/M.1457-12/DS |
| ETSI | ETSI TS 125 451 | 8.0.0 | Published | Jan 09 | http://www.etsi.org/deliver/etsi_ts/125400_125499/125451/08.00.00_60/ |
| TTA | TTAT.3G-25.451(R8-8.0.0) | 8.0.0 | Approved | Jul 09 | http://www.tta.or.kr/data/ttasDown.jsp?where=14688&pk_num=TTAT.3G-25.451(R8-8.0.0) |
| Release 9 | | | | | |

| | | | | | |
|-------------------|----------------------------|--------|-----------|--------|---|
| ARIB | ARIB STD-T63-25.451 | 9.0.0 | Approved | Jul 13 | http://www.arib.or.jp/english/html/overview/doc/STD-T63v10_00/2_T63/ARIB-STD-T63/Rel9/25/A25451-900.pdf |
| ATIS | ATIS.3GPP.25.451V900-2010 | 9.0.0 | Approved | Jul 10 | https://www.atis.org/docstore/default.aspx |
| CCSA | CCSA-TSD-DS-25.451 | 9.0.0 | Published | Mar 10 | http://www.ccsa.org.cn/english/tc/files.php?docpath=/ITU-R/M.1457/M.1457-12/DS |
| ETSI | ETSI TS 125 451 | 9.0.0 | Published | Jan 10 | http://www.etsi.org/deliver/etsi_ts/125400_125499/125451/09.00.00_60/ |
| TTA | TTAT.3G-25.451(R9-9.0.0) | 9.0.0 | Approved | Jul 10 | http://www.tta.or.kr/data/ttasDown.jsp?where=14688&pk_num=TTAT.3G-25.451(R9-9.0.0) |
| Release 10 | | | | | |
| ARIB | ARIB STD-T63-25.451 | 10.0.0 | Approved | Jul 13 | http://www.arib.or.jp/english/html/overview/doc/STD-T63v10_00/2_T63/ARIB-STD-T63/Rel10/25/A25451-a00.pdf |
| ATIS | ATIS.3GPP.25.451V1000-2012 | 10.0.0 | Approved | Jul 12 | https://www.atis.org/docstore/default.aspx |
| CCSA | CCSA-TSD-DS-25.451 | 10.0.0 | Published | Jun 12 | http://www.ccsa.org.cn/english/tc/files.php?docpath=/ITU-R/M.1457/M.1457-12/DS |
| CCSA | CCSA-TSD-DS-25.451 | 10.0.0 | Published | Jun 12 | http://www.ccsa.org.cn/english/tc/files.php?docpath=/ITU-R/M.1457/M.1457-12/DS |
| ETSI | ETSI TS 125 451 | 10.0.0 | Published | Apr 11 | http://www.etsi.org/deliver/etsi_ts/125400_125499/125451/10.00.00_60/ |
| TTA | TTAT.3G-25.451(R10-10.0.0) | 10.0.0 | Approved | Aug 12 | http://www.tta.or.kr/data/ttasDown.jsp?where=14688&pk_num=TTAT.3G-25.451(R10-10.0.0) |
| Release 11 | | | | | |
| ARIB | ARIB STD-T63-25.451 | 11.0.0 | Approved | Jul 13 | http://www.arib.or.jp/english/html/overview/doc/STD-T63v10_00/2_T63/ARIB-STD-T63/Rel11/25/A25451-b00.pdf |
| ATIS | ATIS.3GPP.25.451V1100-2014 | 11.0.0 | Approved | May 14 | https://www.atis.org/docstore/default.aspx |
| ETSI | ETSI TS 125 451 | 11.0.0 | Published | Oct 12 | http://www.etsi.org/deliver/etsi_ts/125400_125499/125451/11.00.00_60/ |
| TTA | TTAT.3G-25.451(R11-11.0.0) | 11.0.0 | published | Aug 14 | http://www.tta.or.kr/data/ttasDown.jsp?where=14688&pk_num=TTAT.3G-22.141(R11-11.0.0) |

5.1.2.3.28

TS 25.452

UTRAN Iupc interface: signalling transport

This document specifies the signalling transport related to PCAP signalling to be used across the Iupc interface.

| SDO (2) | Document No. | Version | Status | Issued date | Location (1) |
|------------------|---------------------------|---------|-----------|-------------|---|
| Release 5 | | | | | |
| ARIB | ARIB STD-T63-25.452 | 5.0.0 | Approved | Jul 13 | http://www.arib.or.jp/english/html/overview/doc/STD-T63v10_00/2_T63/ARIB-STD-T63/Rel5/25/A25452-500.pdf |
| ATIS | T1.3GPP.25.452V500-2002 | 5.0.0 | Approved | May 02 | https://www.atis.org/docstore/default.aspx |
| CCSA | CCSA-TSD-DS-25.452 | 5.0.0 | Published | Apr 02 | http://www.ccsa.org.cn/english/tc/files.php?docpath=/ITU-R/M.1457/M.1457-12/DS |
| ETSI | ETSI TS 125 452 | 5.0.0 | Published | Apr 02 | http://www.etsi.org/deliver/etsi_ts/125400_125499/125452/05.00.00_60/ |
| TTA | TTAE.3G-25.452(R5-5.0.0) | 5.0.0 | Approved | May 02 | http://www.tta.or.kr/data/ttasDown.jsp?where=14688&pk_num=TTAE.3G-25.452(R5-5.0.0) |
| Release 6 | | | | | |
| ARIB | ARIB STD-T63-25.452 | 6.0.0 | Approved | Jul 13 | http://www.arib.or.jp/english/html/overview/doc/STD-T63v10_00/2_T63/ARIB-STD-T63/Rel6/25/A25452-600.pdf |
| ATIS | T1.3GPP.25.452V600-2004 | 6.0.0 | Approved | May 04 | https://www.atis.org/docstore/default.aspx |
| CCSA | CCSA-TSD-DS-25.452 | 6.0.0 | Published | Jan 04 | http://www.ccsa.org.cn/english/tc/files.php?docpath=/ITU-R/M.1457/M.1457-12/DS |
| ETSI | ETSI TS 125 452 | 6.0.0 | Published | Jan 04 | http://www.etsi.org/deliver/etsi_ts/125400_125499/125452/06.00.00_60/ |
| TTA | TTAT.3G-25.452(R6-6.0.0) | 6.0.0 | Approved | May 04 | http://www.tta.or.kr/data/ttasDown.jsp?where=14688&pk_num=TTAT.3G-25.452(R6-6.0.0) |
| Release 7 | | | | | |
| ARIB | ARIB STD-T63-25.452 | 7.1.0 | Approved | Jul 13 | http://www.arib.or.jp/english/html/overview/doc/STD-T63v10_00/2_T63/ARIB-STD-T63/Rel7/25/A25452-710.pdf |
| ATIS | ATIS.3GPP.25.452V710-2007 | 7.1.0 | Approved | Oct 07 | https://www.atis.org/docstore/default.aspx |
| CCSA | CCSA-TSD-DS-25.452 | 7.1.0 | Published | Oct 07 | http://www.ccsa.org.cn/english/tc/files.php?docpath=/ITU-R/M.1457/M.1457-12/DS |
| ETSI | ETSI TS 125 452 | 7.1.0 | Published | Oct 07 | http://www.etsi.org/deliver/etsi_ts/125400_125499/125452/07.01.00_60/ |
| TTA | TTAT.3G-25.452(R7-7.1.0) | 7.1.0 | Approved | Dec 07 | http://www.tta.or.kr/data/ttasDown.jsp?where=14688&pk_num=TTAT.3G-25.452(R7-7.1.0) |

Release 8

| | | | | | |
|------|---------------------------|-------|-----------|--------|---|
| ARIB | ARIB STD-T63-25.452 | 8.0.0 | Approved | Jul 13 | http://www.arib.or.jp/english/html/overview/doc/STD-T63v10_00/2_T63/ARIB-STD-T63/Rel8/25/A25452-800.pdf |
| ATIS | ATIS.3GPP.25.452V800-2009 | 8.0.0 | Approved | Jul 09 | https://www.atis.org/docstore/default.aspx |
| CCSA | CCSA-TSD-DS-25.452 | 8.0.0 | Published | Jan 09 | http://www.ccsa.org.cn/english/tc/files.php?docpath=/ITU-R/M.1457/M.1457-12/DS |
| ETSI | ETSI TS 125 452 | 8.0.0 | Published | Jan 09 | http://www.etsi.org/deliver/etsi_ts/125400_125499/125452/08.00.00_60/ |
| TTA | TTAT.3G-25.452(R8-8.0.0) | 8.0.0 | Approved | Jul 09 | http://www.tta.or.kr/data/ttasDown.jsp?where=14688&pk_num=TTAT.3G-25.452(R8-8.0.0) |

Release 9

| | | | | | |
|------|---------------------------|-------|-----------|--------|---|
| ARIB | ARIB STD-T63-25.452 | 9.0.1 | Approved | Jul 13 | http://www.arib.or.jp/english/html/overview/doc/STD-T63v10_00/2_T63/ARIB-STD-T63/Rel9/25/A25452-901.pdf |
| ATIS | ATIS.3GPP.25.452V901-2012 | 9.0.1 | Approved | Jul 12 | https://www.atis.org/docstore/default.aspx |
| CCSA | CCSA-TSD-DS-25.452 | 9.0.1 | Published | Jun 12 | http://www.ccsa.org.cn/english/tc/files.php?docpath=/ITU-R/M.1457/M.1457-12/DS |
| ETSI | ETSI TS 125 452 | 9.0.1 | Published | Apr 11 | http://www.etsi.org/deliver/etsi_ts/125400_125499/125452/09.00.01_60/ |
| TTA | TTAT.3G-25.452(R9-9.0.0) | 9.0.0 | Approved | Jul 10 | http://www.tta.or.kr/data/ttasDown.jsp?where=14688&pk_num=TTAT.3G-25.452(R9-9.0.0) |

Release 10

| | | | | | |
|------|----------------------------|--------|-----------|--------|---|
| ARIB | ARIB STD-T63-25.452 | 10.1.0 | Approved | Jul 13 | http://www.arib.or.jp/english/html/overview/doc/STD-T63v10_00/2_T63/ARIB-STD-T63/Rel10/25/A25452-a10.pdf |
| ATIS | ATIS.3GPP.25.452V1010-2012 | 10.1.0 | Approved | Jul 12 | https://www.atis.org/docstore/default.aspx |
| CCSA | CCSA-TSD-DS-25.452 | 10.1.0 | Published | Jun 12 | http://www.ccsa.org.cn/english/tc/files.php?docpath=/ITU-R/M.1457/M.1457-12/DS |
| ETSI | ETSI TS 125 452 | 10.1.0 | Published | Jul 11 | http://www.etsi.org/deliver/etsi_ts/125400_125499/125452/10.01.00_60/ |
| TTA | TTAT.3G-25.452(R10-10.1.0) | 10.1.0 | Approved | Aug 12 | http://www.tta.or.kr/data/ttasDown.jsp?where=14688&pk_num=TTAT.3G-25.452(R10-10.1.0) |

Release 11

| | | | | | |
|------|----------------------------|--------|-----------|--------|---|
| ARIB | ARIB STD-T63-25.452 | 11.0.0 | Approved | Jul 13 | http://www.arib.or.jp/english/html/overview/doc/STD-T63v10_00/2_T63/ARIB-STD-T63/Rel11/25/A25452-b00.pdf |
| ATIS | ATIS.3GPP.25.452V1100-2014 | 11.0.0 | Approved | May 14 | https://www.atis.org/docstore/default.aspx |
| CCSA | CCSA-TSD-DS-25.452 | 11.0.0 | Published | Jun 14 | http://www.ccsa.org.cn/english/tc/files.php?docpath=/ITU-R/M.1457/M.1457-12/DS |
| ETSI | ETSI TS 125 452 | 11.0.0 | Published | Oct 12 | http://www.etsi.org/deliver/etsi_ts/125400_125499/125452/11.00.00_60/ |
| TTA | TTAT.3G-25.452(R11-11.0.0) | 11.0.0 | published | Aug 14 | http://www.tta.or.kr/data/ttasDown.jsp?where=14688&pk_num=TTAT.3G-22.142(R11-11.0.0) |

5.1.2.3.29 TS 25.453**UTRAN Iupc interface Positioning Calculation Application Part (PCAP) signalling**

This document specifies the Positioning Calculation Application Part (PCAP) between the Radio Network Controller (RNC) and the Stand-alone SMLC (SAS).

| SDO (2) | Document No. | Version | Status | Issued date | Location (1) |
|------------------|----------------------------|---------|-----------|-------------|---|
| Release 5 | | | | | |
| ARIB | ARIB STD-T63-25.453 | 5.12.0 | Approved | Jul 13 | http://www.arib.or.jp/english/html/overview/doc/STD-T63v10_00/2_T63/ARIB-STD-T63/Rel5/25/A25453-5c0.pdf |
| ATIS | ATIS.3GPP.25.453V5120-2007 | 5.12.0 | Approved | Oct 07 | https://www.atis.org/docstore/default.aspx |
| CCSA | CCSA-TSD-DS-25.453 | 5.12.0 | Published | Mar 07 | http://www.ccsa.org.cn/english/tc/files.php?docpath=/ITU-R/M.1457/M.1457-12/DS |
| ETSI | ETSI TS 125 453 | 5.12.0 | Published | Mar 07 | http://www.etsi.org/deliver/etsi_ts/125400_125499/125453/05.12.00_60/ |
| TTA | TTAT.3G-25.453(R5-5.12.0) | 5.12.0 | Approved | Dec 07 | http://www.tta.or.kr/data/ttasDown.jsp?where=14688&pk_num=TTAT.3G-25.453(R5-5.12.0) |
| Release 6 | | | | | |
| ARIB | ARIB STD-T63-25.453 | 6.11.0 | Approved | Jul 13 | http://www.arib.or.jp/english/html/overview/doc/STD-T63v10_00/2_T63/ARIB-STD-T63/Rel6/25/A25453-6b0.pdf |
| ATIS | ATIS.3GPP.25.453V6110-2007 | 6.11.0 | Approved | Oct 07 | https://www.atis.org/docstore/default.aspx |
| CCSA | CCSA-TSD-DS-25.453 | 6.11.0 | Published | Mar 07 | http://www.ccsa.org.cn/english/tc/files.php?docpath=/ITU-R/M.1457/M.1457-12/DS |
| ETSI | ETSI TS 125 453 | 6.11.0 | Published | Mar 07 | http://www.etsi.org/deliver/etsi_ts/125400_125499/125453/06.11.00_60/ |

| | | | | | |
|-------------------|----------------------------|--------|-----------|--------|---|
| TTA | TTAT.3G-25.453(R6-6.11.0) | 6.11.0 | Approved | Dec 07 | http://www.tta.or.kr/data/ttasDown.jsp?where=14688&pk_num=TTAT.3G-25.453(R6-6.11.0) |
| Release 7 | | | | | |
| ARIB | ARIB STD-T63-25.453 | 7.12.0 | Approved | Jul 13 | http://www.arib.or.jp/english/html/overview/doc/STD-T63v10_00/2_T63/ARIB-STD-T63/Rel7/25/A25453-7c0.pdf |
| ATIS | ATIS.3GPP.25.453V7120-2009 | 7.12.0 | Approved | Jul 09 | https://www.atis.org/docstore/default.aspx |
| CCSA | CCSA-TSD-DS-25.453 | 7.12.0 | Published | Jan 09 | http://www.ccsa.org.cn/english/tc/files.php?docpath=/ITU-R/M.1457/M.1457-12/DS |
| ETSI | ETSI TS 125 453 | 7.12.0 | Published | Jan 09 | http://www.etsi.org/deliver/etsi_ts/125400_125499/125453/07.12.00_60/ |
| TTA | TTAT.3G-25.453(R7-7.12.0) | 7.12.0 | Approved | Jul 09 | http://www.tta.or.kr/data/ttasDown.jsp?where=14688&pk_num=TTAT.3G-25.453(R7-7.12.0) |
| Release 8 | | | | | |
| ARIB | ARIB STD-T63-25.453 | 8.2.0 | Approved | Jul 13 | http://www.arib.or.jp/english/html/overview/doc/STD-T63v10_00/2_T63/ARIB-STD-T63/Rel8/25/A25453-820.pdf |
| ATIS | ATIS.3GPP.25.453V820-2010 | 8.2.0 | Approved | Jul 10 | https://www.atis.org/docstore/default.aspx |
| CCSA | CCSA-TSD-DS-25.453 | 8.2.0 | Published | Mar 10 | http://www.ccsa.org.cn/english/tc/files.php?docpath=/ITU-R/M.1457/M.1457-12/DS |
| ETSI | ETSI TS 125 453 | 8.2.0 | Published | Oct 09 | http://www.etsi.org/deliver/etsi_ts/125400_125499/125453/08.02.00_60/ |
| TTA | TTAT.3G-25.453(R8-8.1.0) | 8.1.0 | Approved | Jul 09 | http://www.tta.or.kr/data/ttasDown.jsp?where=14688&pk_num=TTAT.3G-25.453(R8-8.1.0) |
| Release 9 | | | | | |
| ARIB | ARIB STD-T63-25.453 | 9.2.1 | Approved | Jul 13 | http://www.arib.or.jp/english/html/overview/doc/STD-T63v10_00/2_T63/ARIB-STD-T63/Rel9/25/A25453-921.pdf |
| ATIS | ATIS.3GPP.25.453V921-2012 | 9.2.1 | Approved | Jul 12 | https://www.atis.org/docstore/default.aspx |
| CCSA | CCSA-TSD-DS-25.453 | 9.2.1 | Published | Jun 12 | http://www.ccsa.org.cn/english/tc/files.php?docpath=/ITU-R/M.1457/M.1457-12/DS |
| ETSI | ETSI TS 125 453 | 9.2.1 | Published | Apr 11 | http://www.etsi.org/deliver/etsi_ts/125400_125499/125453/09.02.01_60/ |
| TTA | TTAT.3G-25.453(R9-9.1.0) | 9.1.0 | Approved | Jul 10 | http://www.tta.or.kr/data/ttasDown.jsp?where=14688&pk_num=TTAT.3G-25.453(R9-9.1.0) |
| Release 10 | | | | | |
| ARIB | ARIB STD-T63-25.453 | 10.3.0 | Approved | Jul 13 | http://www.arib.or.jp/english/html/overview/doc/STD-T63v10_00/2_T63/ARIB-STD-T63/Rel10/25/A25453-a30.pdf |
| ATIS | ATIS.3GPP.25.453V1030-2012 | 10.3.0 | Approved | Jul 12 | https://www.atis.org/docstore/default.aspx |
| CCSA | CCSA-TSD-DS-25.453 | 10.3.0 | Published | Jun 12 | http://www.ccsa.org.cn/english/tc/files.php?docpath=/ITU-R/M.1457/M.1457-12/DS |
| ETSI | ETSI TS 125 453 | 10.3.0 | Published | Jul 11 | http://www.etsi.org/deliver/etsi_ts/125400_125499/125453/10.03.00_60/ |
| TTA | TTAT.3G-25.453(R10-10.3.0) | 10.3.0 | Approved | Aug 12 | http://www.tta.or.kr/data/ttasDown.jsp?where=14688&pk_num=TTAT.3G-25.453(R10-10.3.0) |
| Release 11 | | | | | |
| ARIB | ARIB STD-T63-25.453 | 11.0.0 | Approved | Jul 13 | http://www.arib.or.jp/english/html/overview/doc/STD-T63v10_00/2_T63/ARIB-STD-T63/Rel11/25/A25453-b00.pdf |
| ATIS | ATIS.3GPP.25.453V1100-2014 | 11.0.0 | Approved | May 14 | https://www.atis.org/docstore/default.aspx |
| CCSA | CCSA-TSD-DS-25.453 | 11.0.0 | Published | Jun 14 | http://www.ccsa.org.cn/english/tc/files.php?docpath=/ITU-R/M.1457/M.1457-12/DS |
| ETSI | ETSI TS 125 453 | 11.0.0 | Published | Oct 12 | http://www.etsi.org/deliver/etsi_ts/125400_125499/125453/11.00.00_60/ |
| TTA | TTAT.3G-25.453(R11-11.0.0) | 11.0.0 | published | Aug 14 | http://www.tta.or.kr/data/ttasDown.jsp?where=14688&pk_num=TTAT.3G-22.146(R11-11.1.0) |

5.1.2.3.30 TS 25.460

UTRAN Iuant interface: General aspects and principles

This document is an introduction to the TSG RAN TS 25.46x series of UMTS Technical Specifications that define the Iuant Interface. The logical Iuant interface is a Node B internal interface between the implementation specific O&M function and the Remote Electrical Tilting (RET) Antenna Control unit function of the Node B.

| SDO (2) | Document No. | Version | Status | Issued date | Location (1) |
|------------------|---------------------------|---------|-----------|-------------|---|
| Release 6 | | | | | |
| ATIS | ATIS.3GPP.25.460V620-2006 | 6.2.0 | Approved | Apr 06 | https://www.atis.org/docstore/default.aspx |
| CCSA | CCSA-TSD-DS-25.460 | 6.2.0 | Published | Apr 05 | http://www.ccsa.org.cn/english/tc/files.php?docpath=/ITU-R/M.1457/M.1457-12/DS |

| | | | | | |
|-------------------|----------------------------|--------|-----------|--------|---|
| ETSI | ETSI TS 125 460 | 6.2.0 | Published | Apr 05 | http://www.etsi.org/deliver/etsi_ts/125400_125499/125460/06.02.00_60/ |
| TTA | TTAT.3G-25.460(R6-6.2.0) | 6.2.0 | Approved | Apr 06 | http://www.tta.or.kr/data/ttasDown.jsp?where=14688&pk_num=TTAT.3G-25.460(R6-6.2.0) |
| Release 7 | | | | | |
| ATIS | ATIS.3GPP.25.460V710-2007 | 7.1.0 | Approved | Oct 07 | https://www.atis.org/docstore/default.aspx |
| CCSA | CCSA-TSD-DS-25.460 | 7.1.0 | Published | Mar 07 | http://www.ccsa.org.cn/english/tc/files.php?docpath=/ITU-R/M.1457/M.1457-12/DS |
| ETSI | ETSI TS 125 460 | 7.1.0 | Published | Mar 07 | http://www.etsi.org/deliver/etsi_ts/125400_125499/125460/07.01.00_60/ |
| TTA | TTAT.3G-25.460(R7-7.1.0) | 7.1.0 | Approved | Dec 07 | http://www.tta.or.kr/data/ttasDown.jsp?where=14688&pk_num=TTAT.3G-25.460(R7-7.1.0) |
| Release 8 | | | | | |
| ATIS | ATIS.3GPP.25.460V810-2009 | 8.1.0 | Approved | Jul 09 | https://www.atis.org/docstore/default.aspx |
| CCSA | CCSA-TSD-DS-25.460 | 8.1.0 | Published | Apr 09 | http://www.ccsa.org.cn/english/tc/files.php?docpath=/ITU-R/M.1457/M.1457-12/DS |
| ETSI | ETSI TS 125 460 | 8.1.0 | Published | Apr 09 | http://www.etsi.org/deliver/etsi_ts/125400_125499/125460/08.01.00_60/ |
| TTA | TTAT.3G-25.460(R8-8.1.0) | 8.1.0 | Approved | Jul 09 | http://www.tta.or.kr/data/ttasDown.jsp?where=14688&pk_num=TTAT.3G-25.460(R8-8.1.0) |
| Release 9 | | | | | |
| ATIS | ATIS.3GPP.25.460V901-2012 | 9.0.1 | Approved | Jul 12 | https://www.atis.org/docstore/default.aspx |
| CCSA | CCSA-TSD-DS-25.460 | 9.0.1 | Published | Jun 12 | http://www.ccsa.org.cn/english/tc/files.php?docpath=/ITU-R/M.1457/M.1457-12/DS |
| ETSI | ETSI TS 125 460 | 9.0.1 | Published | May 11 | http://www.etsi.org/deliver/etsi_ts/125400_125499/125460/09.00.01_60/ |
| TTA | TTAT.3G-25.460(R9-9.0.0) | 9.0.0 | Approved | Jul 10 | http://www.tta.or.kr/data/ttasDown.jsp?where=14688&pk_num=TTAT.3G-25.460(R9-9.0.0) |
| Release 10 | | | | | |
| ATIS | ATIS.3GPP.25.460V1001-2011 | 10.0.1 | Approved | Jul 11 | https://www.atis.org/docstore/default.aspx |
| CCSA | CCSA-TSD-DS-25.460 | 10.0.1 | Published | Jun 12 | http://www.ccsa.org.cn/english/tc/files.php?docpath=/ITU-R/M.1457/M.1457-12/DS |
| ETSI | ETSI TS 125 460 | 10.0.1 | Published | Apr 11 | http://www.etsi.org/deliver/etsi_ts/125400_125499/125460/10.00.01_60/ |
| TTA | TTAT.3G-25.460(R10-10.0.1) | 10.0.1 | Approved | Aug 11 | http://www.tta.or.kr/data/ttasDown.jsp?where=14688&pk_num=TTAT.3G-25.460(R10-10.0.1) |
| Release 11 | | | | | |
| ATIS | ATIS.3GPP.25.460V1100-2013 | 11.0.0 | Approved | Jun 13 | https://www.atis.org/docstore/default.aspx |
| CCSA | CCSA-TSD-DS-25.460 | 11.0.0 | Published | Jun 14 | http://www.ccsa.org.cn/english/tc/files.php?docpath=/ITU-R/M.1457/M.1457-12/DS |
| ETSI | ETSI TS 125 460 | 11.0.0 | Published | Oct 12 | http://www.etsi.org/deliver/etsi_ts/125400_125499/125460/11.00.00_60/ |
| TTA | TTAT.3G-25.460(R11-11.0.0) | 11.0.0 | published | | http://www.tta.or.kr/data/ttasDown.jsp?where=14688&pk_num=TTAT.3G-25.460(R11-11.0.0) |

5.1.2.3.31 TS 25.461

UTRAN Iuant interface: Layer 1

This document specifies the standards allowed to implement Layer 1 on the Iuant interface. The specification of transmission delay requirements and O&M requirements are not in the scope of this document.

| SDO (2) | Document No. | Version | Status | Issued date | Location (1) |
|------------------|---------------------------|---------|-----------|-------------|---|
| Release 6 | | | | | |
| ATIS | ATIS.3GPP.25.461V650-2006 | 6.5.0 | Approved | Apr 06 | https://www.atis.org/docstore/default.aspx |
| CCSA | CCSA-TSD-DS-25.461 | 6.5.0 | Published | Jan 06 | http://www.ccsa.org.cn/english/tc/files.php?docpath=/ITU-R/M.1457/M.1457-12/DS |
| ETSI | ETSI TS 125 461 | 6.5.0 | Published | Jan 06 | http://www.etsi.org/deliver/etsi_ts/125400_125499/125461/06.05.00_60/ |
| TTA | TTAT.3G-25.461(R6-6.5.0) | 6.5.0 | Approved | Apr 06 | http://www.tta.or.kr/data/ttasDown.jsp?where=14688&pk_num=TTAT.3G-25.461(R6-6.5.0) |
| Release 7 | | | | | |
| ATIS | ATIS.3GPP.25.461V750-2007 | 7.5.0 | Approved | Oct 07 | https://www.atis.org/docstore/default.aspx |
| CCSA | CCSA-TSD-DS-25.461 | 7.5.0 | Published | Jul 07 | http://www.ccsa.org.cn/english/tc/files.php?docpath=/ITU-R/M.1457/M.1457-12/DS |

| | | | | | |
|-------------------|----------------------------|--------|-----------|--------|---|
| ETSI | ETSI TS 125 461 | 7.5.0 | Published | Jul 07 | http://www.etsi.org/deliver/etsi_ts/125400_125499/125461/07.05.00_60/ |
| TTA | TTAT.3G-25.461(R7-7.5.0) | 7.5.0 | Approved | Dec 07 | http://www.tta.or.kr/data/ttasDown.jsp?where=14688&pk_num=TTAT.3G-25.461(R7-7.5.0) |
| Release 8 | | | | | |
| ATIS | ATIS.3GPP.25.461V840-2012 | 8.4.0 | Approved | Jul 12 | https://www.atis.org/docstore/default.aspx |
| CCSA | CCSA-TSD-DS-25.461 | 8.4.0 | Published | Jun 12 | http://www.ccsa.org.cn/english/tc/files.php?docpath=/ITU-R/M.1457/M.1457-12/DS |
| ETSI | ETSI TS 125 461 | 8.4.0 | Published | Jan 11 | http://www.etsi.org/deliver/etsi_ts/125400_125499/125461/08.04.00_60/ |
| TTA | TTAT.3G-25.461(R8-8.1.0) | 8.1.0 | Approved | Oct 08 | http://www.tta.or.kr/data/ttasDown.jsp?where=14688&pk_num=TTAT.3G-25.461(R8-8.1.0) |
| Release 9 | | | | | |
| ATIS | ATIS.3GPP.25.461V931-2012 | 9.3.1 | Approved | Jul 12 | https://www.atis.org/docstore/default.aspx |
| CCSA | CCSA-TSD-DS-25.461 | 9.3.1 | Published | Jun 12 | http://www.ccsa.org.cn/english/tc/files.php?docpath=/ITU-R/M.1457/M.1457-12/DS |
| CCSA | CCSA-TSD-DS-25.461 | 10.3.0 | Published | Jun 12 | http://www.ccsa.org.cn/english/tc/files.php?docpath=/ITU-R/M.1457/M.1457-12/DS |
| ETSI | ETSI TS 125 461 | 9.3.1 | Published | Apr 11 | http://www.etsi.org/deliver/etsi_ts/125400_125499/125461/09.03.01_60/ |
| TTA | TTAT.3G-25.461(R9-9.2.0) | 9.2.0 | Approved | Jul 10 | http://www.tta.or.kr/data/ttasDown.jsp?where=14688&pk_num=TTAT.3G-25.461(R9-9.2.0) |
| Release 10 | | | | | |
| ATIS | ATIS.3GPP.25.461V1030-2013 | 10.3.0 | Approved | Jun 13 | https://www.atis.org/docstore/default.aspx |
| ETSI | ETSI TS 125 461 | 10.3.0 | Published | Jan 12 | http://www.etsi.org/deliver/etsi_ts/125400_125499/125461/10.03.00_60/ |
| TTA | TTAT.3G-25.461(R10-10.3.0) | 10.3.0 | Approved | Aug 12 | http://www.tta.or.kr/data/ttasDown.jsp?where=14688&pk_num=TTAT.3G-25.461(R10-10.3.0) |
| Release 11 | | | | | |
| ATIS | ATIS.3GPP.25.461V1120-2013 | 11.2.0 | Approved | Jun 13 | https://www.atis.org/docstore/default.aspx |
| CCSA | CCSA-TSD-DS-25.461 | 11.2.0 | Published | Jun 14 | http://www.ccsa.org.cn/english/tc/files.php?docpath=/ITU-R/M.1457/M.1457-12/DS |
| ETSI | ETSI TS 125 461 | 11.2.0 | Published | Jan 13 | http://www.etsi.org/deliver/etsi_ts/125400_125499/125461/11.02.00_60/ |
| TTA | TTAT.3G-25.461(R11-11.2.0) | 11.2.0 | published | | http://www.tta.or.kr/data/ttasDown.jsp?where=14688&pk_num=TTAT.3G-25.461(R11-11.2.0) |

5.1.2.3.32 TS 25.462

UTRAN Iuant interface: Signalling transport

This document specifies the signalling transport related to RETAP signalling to be used across the Iuant interface.

| SDO (2) | Document No. | Version | Status | Issued date | Location (1) |
|------------------|---------------------------|---------|-----------|-------------|---|
| Release 6 | | | | | |
| ATIS | ATIS.3GPP.25.462V651-2007 | 6.5.1 | Approved | Oct 07 | https://www.atis.org/docstore/default.aspx |
| CCSA | CCSA-TSD-DS-25.462 | 6.5.1 | Published | Jul 07 | http://www.ccsa.org.cn/english/tc/files.php?docpath=/ITU-R/M.1457/M.1457-12/DS |
| ETSI | ETSI TS 125 462 | 6.5.1 | Published | Jul 07 | http://www.etsi.org/deliver/etsi_ts/125400_125499/125462/06.05.01_60/ |
| TTA | TTAT.3G-25.462(R6-6.5.1) | 6.5.1 | Approved | Dec 07 | http://www.tta.or.kr/data/ttasDown.jsp?where=14688&pk_num=TTAT.3G-25.462(R6-6.5.1) |
| Release 7 | | | | | |
| ATIS | ATIS.3GPP.25.462V740-2007 | 7.4.0 | Approved | Oct 07 | https://www.atis.org/docstore/default.aspx |
| CCSA | CCSA-TSD-DS-25.462 | 7.4.0 | Published | Oct 07 | http://www.ccsa.org.cn/english/tc/files.php?docpath=/ITU-R/M.1457/M.1457-12/DS |
| ETSI | ETSI TS 125 462 | 7.4.0 | Published | Oct 07 | http://www.etsi.org/deliver/etsi_ts/125400_125499/125462/07.04.00_60/ |
| TTA | TTAT.3G-25.462(R7-7.4.0) | 7.4.0 | Approved | Dec 07 | http://www.tta.or.kr/data/ttasDown.jsp?where=14688&pk_num=TTAT.3G-25.462(R7-7.4.0) |
| Release 8 | | | | | |
| ATIS | ATIS.3GPP.25.462V810-2009 | 8.1.0 | Approved | Jul 09 | https://www.atis.org/docstore/default.aspx |
| CCSA | CCSA-TSD-DS-25.462 | 8.1.0 | Published | Apr 09 | http://www.ccsa.org.cn/english/tc/files.php?docpath=/ITU-R/M.1457/M.1457-12/DS |
| ETSI | ETSI TS 125 462 | 8.1.0 | Published | Apr 09 | http://www.etsi.org/deliver/etsi_ts/125400_125499/125462/08.01.00_60/ |

| | | | | | |
|-------------------|----------------------------|--------|-----------|--------|---|
| TTA | TTAT.3G-25.462(R8-8.1.0) | 8.1.0 | Approved | Jul 09 | http://www.tta.or.kr/data/ttasDown.jsp?where=14688&pk_num=TTAT.3G-25.462(R8-8.1.0) |
| Release 9 | | | | | |
| ATIS | ATIS.3GPP.25.462V901-2012 | 9.0.1 | Approved | Jul 12 | https://www.atis.org/docstore/default.aspx |
| CCSA | CCSA-TSD-DS-25.462 | 9.0.1 | Published | Jun 12 | http://www.ccsa.org.cn/english/tc/files.php?docpath=/ITU-R/M.1457/M.1457-12/DS |
| ETSI | ETSI TS 125 462 | 9.0.1 | Published | Apr 11 | http://www.etsi.org/deliver/etsi_ts/125400_125499/125462/09.00.01_60/ |
| TTA | TTAT.3G-25.462(R9-9.0.0) | 9.0.0 | Approved | Jul 10 | http://www.tta.or.kr/data/ttasDown.jsp?where=14688&pk_num=TTAT.3G-25.462(R9-9.0.0) |
| Release 10 | | | | | |
| ATIS | ATIS.3GPP.25.462V1010-2011 | 10.1.0 | Approved | Jul 11 | https://www.atis.org/docstore/default.aspx |
| CCSA | CCSA-TSD-DS-25.462 | 10.1.0 | Published | Jun 12 | http://www.ccsa.org.cn/english/tc/files.php?docpath=/ITU-R/M.1457/M.1457-12/DS |
| ETSI | ETSI TS 125 462 | 10.1.0 | Published | Jun 11 | http://www.etsi.org/deliver/etsi_ts/125400_125499/125462/10.01.00_60/ |
| TTA | TTAT.3G-25.462(R10-10.1.0) | 10.1.0 | Approved | Aug 11 | http://www.tta.or.kr/data/ttasDown.jsp?where=14688&pk_num=TTAT.3G-25.462(R10-10.1.0) |
| Release 11 | | | | | |
| ATIS | ATIS.3GPP.25.462V1100-2013 | 11.0.0 | Approved | Jun 13 | https://www.atis.org/docstore/default.aspx |
| CCSA | CCSA-TSD-DS-25.462 | 11.0.0 | Published | Jun 14 | http://www.ccsa.org.cn/english/tc/files.php?docpath=/ITU-R/M.1457/M.1457-12/DS |
| ETSI | ETSI TS 125 462 | 11.0.0 | Published | Oct 12 | http://www.etsi.org/deliver/etsi_ts/125400_125499/125462/11.00.00_60/ |
| TTA | TTAT.3G-25.462(R11-11.0.0) | 11.0.0 | published | | http://www.tta.or.kr/data/ttasDown.jsp?where=14688&pk_num=TTAT.3G-25.462(R11-11.0.0) |

5.1.2.3.33 TS 25.466

UTRAN Iuant interface: Application part

This document specifies the Remote Electrical Tilting Application Part (RETAP) between the implementation specific O&M transport function and the RET Antenna Control unit function of the Node B. The document also specifies the Tower Mounted Amplifier Application Part (TMAAP) between the implementation specific O&M transport function and the TMA control function of the Node B. It defines the Iuant interface and its associated signaling procedures.

| SDO (2) | Document No. | Version | Status | Issued date | Location (1) |
|-------------------|----------------------------|---------|-----------|-------------|---|
| Release 7 | | | | | |
| ATIS | ATIS.3GPP.25.466V730-2008 | 7.3.0 | Approved | Oct 08 | https://www.atis.org/docstore/default.aspx |
| CCSA | CCSA-TSD-DS-25.466 | 7.3.0 | Published | Jan 08 | http://www.ccsa.org.cn/english/tc/files.php?docpath=/ITU-R/M.1457/M.1457-12/DS |
| ETSI | ETSI TS 125 466 | 7.3.0 | Published | Jan 08 | http://www.etsi.org/deliver/etsi_ts/125400_125499/125466/07.03.00_60/ |
| TTA | TTAT.3G-25.466(R7-7.3.0) | 7.3.0 | Approved | Oct 08 | http://www.tta.or.kr/data/ttasDown.jsp?where=14688&pk_num=TTAT.3G-25.466(R7-7.3.0) |
| Release 8 | | | | | |
| ATIS | ATIS.3GPP.25.466V830-2009 | 8.3.0 | Approved | Jul 09 | https://www.atis.org/docstore/default.aspx |
| CCSA | CCSA-TSD-DS-25.466 | 8.3.0 | Published | Apr 09 | http://www.ccsa.org.cn/english/tc/files.php?docpath=/ITU-R/M.1457/M.1457-12/DS |
| ETSI | ETSI TS 125 466 | 8.3.0 | Published | Apr 09 | http://www.etsi.org/deliver/etsi_ts/125400_125499/125466/08.03.00_60/ |
| TTA | TTAT.3G-25.466(R8-8.3.0) | 8.3.0 | Approved | | http://www.tta.or.kr/data/ttasDown.jsp?where=14688&pk_num=TTAT.3G-25.466(R8-8.3.0) |
| Release 9 | | | | | |
| ATIS | ATIS.3GPP.25.466V921-2012 | 9.2.1 | Approved | Jul 12 | https://www.atis.org/docstore/default.aspx |
| CCSA | CCSA-TSD-DS-25.466 | 9.2.1 | Published | Jun 12 | http://www.ccsa.org.cn/english/tc/files.php?docpath=/ITU-R/M.1457/M.1457-12/DS |
| ETSI | ETSI TS 125 466 | 9.2.1 | Published | Apr 11 | http://www.etsi.org/deliver/etsi_ts/125400_125499/125466/09.02.01_60/ |
| TTA | TTAT.3G-25.466(R9-9.2.0) | 9.2.0 | Approved | Jul 10 | http://www.tta.or.kr/data/ttasDown.jsp?where=14688&pk_num=TTAT.3G-25.466(R9-9.2.0) |
| Release 10 | | | | | |
| ATIS | ATIS.3GPP.25.466V1030-2013 | 10.3.0 | Approved | Jun 13 | https://www.atis.org/docstore/default.aspx |

| | | | | | |
|-------------------|----------------------------|--------|-----------|--------|---|
| CCSA | CCSA-TSD-DS-25.466 | 10.3.0 | Published | Jun 12 | http://www.ccsa.org.cn/english/tc/files.php?docpath=/ITU-R/M.1457/M.1457-12/DS |
| ETSI | ETSI TS 125 466 | 10.3.0 | Published | Jan 12 | http://www.etsi.org/deliver/etsi_ts/125400_125499/125466/10.03.00_60/ |
| TTA | TTAT.3G-25.466(R10-10.3.0) | 10.3.0 | Approved | Aug 12 | http://www.tta.or.kr/data/ttasDown.jsp?where=14688&pk_num=TTAT.3G-25.466(R10-10.3.0) |
| Release 11 | | | | | |
| ATIS | ATIS.3GPP.25.466V1130-2013 | 11.3.0 | Approved | Jun 13 | https://www.atis.org/docstore/default.aspx |
| CCSA | CCSA-TSD-DS-25.466 | 11.3.0 | Published | Jun 14 | http://www.ccsa.org.cn/english/tc/files.php?docpath=/ITU-R/M.1457/M.1457-12/DS |
| ETSI | ETSI TS 125 466 | 11.3.0 | Published | Jan 13 | http://www.etsi.org/deliver/etsi_ts/125400_125499/125466/11.03.00_60/ |
| TTA | TTAT.3G-25.466(R11-11.3.0) | 11.3.0 | published | | http://www.tta.or.kr/data/ttasDown.jsp?where=14688&pk_num=TTAT.3G-25.466(R11-11.3.0) |

5.1.2.3.34 TS 25.467

UTRAN architecture for 3G Home Node B (HNB); Stage 2

This document specifies the UTRAN architecture for 3G Home NodeB (3G HNB).

| SDO (2) | Document No. | Version | Status | Issued date | Location (1) |
|-------------------|----------------------------|---------|-----------|-------------|---|
| Release 8 | | | | | |
| ARIB | ARIB STD-T63-25.467 | 8.6.0 | Approved | Jul 13 | http://www.arib.or.jp/english/html/overview/doc/STD-T63v10_00/2_T63/ARIB-STD-T63/Rel8/25/A25467-860.pdf |
| ATIS | ATIS.3GPP.25.467V860-2012 | 8.6.0 | Approved | Jul 12 | https://www.atis.org/docstore/default.aspx |
| CCSA | CCSA-TSD-DS-25.467 | 8.6.0 | Published | Jun 12 | http://www.ccsa.org.cn/english/tc/files.php?docpath=/ITU-R/M.1457/M.1457-12/DS |
| ETSI | ETSI TS 125 467 | 8.6.0 | Published | Jan 11 | http://www.etsi.org/deliver/etsi_ts/125400_125499/125467/08.06.00_60/ |
| TTA | TTAT.3G-25.467(R8-8.1.0) | 8.1.0 | Approved | Jul 09 | http://www.tta.or.kr/data/ttasDown.jsp?where=14688&pk_num=TTAT.3G-25.467(R8-8.1.0) |
| Release 9 | | | | | |
| ARIB | ARIB STD-T63-25.467 | 9.6.0 | Approved | Jul 13 | http://www.arib.or.jp/english/html/overview/doc/STD-T63v10_00/2_T63/ARIB-STD-T63/Rel9/25/A25467-960.pdf |
| ATIS | ATIS.3GPP.25.467V960-2014 | 9.6.0 | Approved | May 14 | https://www.atis.org/docstore/default.aspx |
| CCSA | CCSA-TSD-DS-25.467 | 9.6.0 | Published | Jun 12 | http://www.ccsa.org.cn/english/tc/files.php?docpath=/ITU-R/M.1457/M.1457-12/DS |
| ETSI | ETSI TS 125 467 | 9.6.0 | Published | Jan 12 | http://www.etsi.org/deliver/etsi_ts/125400_125499/125467/09.06.00_60/ |
| TTA | TTAT.3G-25.467(R9-9.2.0) | 9.2.0 | Approved | Jul 10 | http://www.tta.or.kr/data/ttasDown.jsp?where=14688&pk_num=TTAT.3G-25.467(R9-9.2.0) |
| Release 10 | | | | | |
| ARIB | ARIB STD-T63-25.467 | 10.6.0 | Approved | Jul 13 | http://www.arib.or.jp/english/html/overview/doc/STD-T63v10_00/2_T63/ARIB-STD-T63/Rel10/25/A25467-a60.pdf |
| ATIS | ATIS.3GPP.25.467V1060-2014 | 10.6.0 | Approved | May 14 | https://www.atis.org/docstore/default.aspx |
| CCSA | CCSA-TSD-DS-25.467 | 10.4.0 | Published | Jun 12 | http://www.ccsa.org.cn/english/tc/files.php?docpath=/ITU-R/M.1457/M.1457-12/DS |
| ETSI | ETSI TS 125 467 | 10.6.0 | Published | Oct 12 | http://www.etsi.org/deliver/etsi_ts/125400_125499/125467/10.06.00_60/ |
| TTA | TTAT.3G-25.467(R10-10.4.0) | 10.4.0 | Approved | Aug 12 | http://www.tta.or.kr/data/ttasDown.jsp?where=14688&pk_num=TTAT.3G-25.467(R10-10.4.0) |
| Release 11 | | | | | |
| ARIB | ARIB STD-T63-25.467 | 11.2.0 | Approved | Jul 13 | http://www.arib.or.jp/english/html/overview/doc/STD-T63v10_00/2_T63/ARIB-STD-T63/Rel11/25/A25467-b20.pdf |
| ATIS | ATIS.3GPP.25.467V1120-2014 | 11.2.0 | Approved | May 14 | https://www.atis.org/docstore/default.aspx |
| CCSA | CCSA-TSD-DS-25.467 | 11.5.0 | Published | Jun 14 | http://www.ccsa.org.cn/english/tc/files.php?docpath=/ITU-R/M.1457/M.1457-12/DS |
| ETSI | ETSI TS 125 467 | 11.2.0 | Published | Apr 13 | http://www.etsi.org/deliver/etsi_ts/125400_125499/125467/11.02.00_60/ |
| TTA | TTAT.3G-25.467(R11-11.2.0) | 11.2.0 | published | Aug 14 | http://www.tta.or.kr/data/ttasDown.jsp?where=14688&pk_num=TTAT.3G-22.153(R11-11.1.0) |

5.1.2.3.35 TS 25.468**UTRAN Iuh Interface RANAP User Adaption (RUA) signalling**

This document specifies the RANAP User Adaption (RUA) between the Home Node B (HNB) and the Home Node B Gateway (HNB-GW).

| SDO (2) | Document No. | Version | Status | Issued date | Location (1) |
|-------------------|----------------------------|---------|-----------|-------------|---|
| Release 8 | | | | | |
| ARIB | ARIB STD T63-25.468 | 8.2.0 | Approved | Jul 13 | http://www.arib.or.jp/english/html/overview/doc/STD-T63v10_00/2_T63/ARIB-STD-T63/Rel8/25/A25468-820.pdf |
| ATIS | ATIS.3GPP.25.468V820-2010 | 8.2.0 | Approved | Jul 10 | https://www.atis.org/docstore/default.aspx |
| CCSA | CCSA-TSD-DS-25.468 | 8.2.0 | Published | Jun 12 | http://www.ccsa.org.cn/english/tc/files.php?docpath=/ITU-R/M.1457/M.1457-12/DS |
| ETSI | ETSI TS 125 468 | 8.2.0 | Published | Apr 10 | http://www.etsi.org/deliver/etsi_ts/125400_125499/125468/08.02.00_60/ |
| TTA | TTAT.3G-25.468(R8-8.1.0) | 8.1.0 | Approved | Jul 09 | http://www.tta.or.kr/data/ttasDown.jsp?where=14688&pk_num=TTAT.3G-25.468(R8-8.1.0) |
| Release 9 | | | | | |
| ARIB | ARIB STD T63-25.468 | 9.4.0 | Approved | Jul 13 | http://www.arib.or.jp/english/html/overview/doc/STD-T63v10_00/2_T63/ARIB-STD-T63/Rel9/25/A25468-940.pdf |
| ATIS | ATIS.3GPP.25.468V940-2012 | 9.4.0 | Approved | Jul 12 | https://www.atis.org/docstore/default.aspx |
| CCSA | CCSA-TSD-DS-25.468 | 9.4.0 | Published | Jun 12 | http://www.ccsa.org.cn/english/tc/files.php?docpath=/ITU-R/M.1457/M.1457-12/DS |
| ETSI | ETSI TS 125 468 | 9.4.0 | Published | Oct 11 | http://www.etsi.org/deliver/etsi_ts/125400_125499/125468/09.04.00_60/ |
| TTA | TTAT.3G-25.468(R9-9.1.0) | 9.1.0 | Approved | Jul 10 | http://www.tta.or.kr/data/ttasDown.jsp?where=14688&pk_num=TTAT.3G-25.468(R9-9.1.0) |
| Release 10 | | | | | |
| ARIB | ARIB STD T63-25.468 | 10.2.0 | Approved | Jul 13 | http://www.arib.or.jp/english/html/overview/doc/STD-T63v10_00/2_T63/ARIB-STD-T63/Rel10/25/A25468-a20.pdf |
| ATIS | ATIS.3GPP.25.468V1020-2012 | 10.2.0 | Approved | Jul 12 | https://www.atis.org/docstore/default.aspx |
| CCSA | CCSA-TSD-DS-25.468 | 10.2.0 | Published | Jun 12 | http://www.ccsa.org.cn/english/tc/files.php?docpath=/ITU-R/M.1457/M.1457-12/DS |
| ETSI | ETSI TS 125 468 | 10.2.0 | Published | Oct 11 | http://www.etsi.org/deliver/etsi_ts/125400_125499/125468/10.02.00_60/ |
| TTA | TTAT.3G-25.468(R10-10.2.0) | 10.2.0 | Approved | Aug 12 | http://www.tta.or.kr/data/ttasDown.jsp?where=14688&pk_num=TTAT.3G-25.468(R10-10.2.0) |
| Release 11 | | | | | |
| ARIB | ARIB STD T63-25.468 | 11.2.0 | Approved | Jul 13 | http://www.arib.or.jp/english/html/overview/doc/STD-T63v10_00/2_T63/ARIB-STD-T63/Rel11/25/A25468-b20.pdf |
| ATIS | ATIS.3GPP.25.468V1120-2014 | 11.2.0 | Approved | May 14 | https://www.atis.org/docstore/default.aspx |
| CCSA | CCSA-TSD-DS-25.468 | 11.2.0 | Published | Jun 14 | http://www.ccsa.org.cn/english/tc/files.php?docpath=/ITU-R/M.1457/M.1457-12/DS |
| ETSI | ETSI TS 125 468 | 11.2.0 | Published | Apr 13 | http://www.etsi.org/deliver/etsi_ts/125400_125499/125468/11.02.00_60/ |
| TTA | TTAT.3G-25.468(R11-11.2.0) | 11.2.0 | published | Aug 14 | http://www.tta.or.kr/data/ttasDown.jsp?where=14688&pk_num=TTAT.3G-22.173(R11-11.4.0) |

5.1.2.3.36 TS 25.469**UTRAN Iuh interface Home Node B (HNB) Application Part (HNBAP) signalling**

This document specifies the Home Node B Application Part (HNBAP) between the Home Node B (HNB) and the Home Node B Gateway (HNB_GW).

| SDO (2) | Document No. | Version | Status | Issued date | Location (1) |
|------------------|---------------------------|---------|-----------|-------------|---|
| Release 8 | | | | | |
| ARIB | ARIB STD T63-25.469 | 8.5.0 | Approved | Jul 13 | http://www.arib.or.jp/english/html/overview/doc/STD-T63v10_00/2_T63/ARIB-STD-T63/Rel8/25/A25469-850.pdf |
| ATIS | ATIS.3GPP.25.469V850-2010 | 8.5.0 | Approved | Jul 10 | https://www.atis.org/docstore/default.aspx |
| CCSA | CCSA-TSD-DS-25.469 | 8.5.0 | Published | Jun 12 | http://www.ccsa.org.cn/english/tc/files.php?docpath=/ITU-R/M.1457/M.1457-12/DS |
| ETSI | ETSI TS 125 469 | 8.5.0 | Published | Apr 10 | http://www.etsi.org/deliver/etsi_ts/125400_125499/125469/08.05.00_60/ |
| TTA | TTAT.3G-25.469(R8-8.1.0) | 8.1.0 | Approved | Jul 09 | http://www.tta.or.kr/data/ttasDown.jsp?where=14688&pk_num=TTAT.3G-25.469(R8-8.1.0) |

Release 9

| | | | | | |
|------|---------------------------|-------|-----------|--------|---|
| ARIB | ARIB STD T63-25.469 | 9.3.0 | Approved | Jul 13 | http://www.arib.or.jp/english/html/overview/doc/STD-T63v10_00/2_T63/ARIB-STD-T63/Rel9/25/A25469-930.pdf |
| ATIS | ATIS.3GPP.25.469V930-2012 | 9.3.0 | Approved | Jul 12 | https://www.atis.org/docstore/default.aspx |
| CCSA | CCSA-TSD-DS-25.469 | 9.3.0 | Published | Jun 12 | http://www.ccsa.org.cn/english/tc/files.php?docpath=/ITU-R/M.1457/M.1457-12/DS |
| ETSI | ETSI TS 125 469 | 9.3.0 | Published | Oct 10 | http://www.etsi.org/deliver/etsi_ts/125400_125499/125469/09.03.00_60/ |
| TTA | TTAT.3G-25.469(R9-9.1.0) | 9.1.0 | Approved | Jul 10 | http://www.tta.or.kr/data/ttasDown.jsp?where=14688&pk_num=TTAT.3G-25.469(R9-9.1.0) |

Release 10

| | | | | | |
|------|----------------------------|--------|-----------|--------|---|
| ARIB | ARIB STD T63-25.469 | 10.3.0 | Approved | Jul 13 | http://www.arib.or.jp/english/html/overview/doc/STD-T63v10_00/2_T63/ARIB-STD-T63/Rel10/25/A25469-a30.pdf |
| ATIS | ATIS.3GPP.25.469V1030-2014 | 10.3.0 | Approved | May 14 | https://www.atis.org/docstore/default.aspx |
| CCSA | CCSA-TSD-DS-25.469 | 10.1.0 | Published | Jun 12 | http://www.ccsa.org.cn/english/tc/files.php?docpath=/ITU-R/M.1457/M.1457-12/DS |
| ETSI | ETSI TS 125 469 | 10.3.0 | Published | Jan 13 | http://www.etsi.org/deliver/etsi_ts/125400_125499/125469/10.03.00_60/ |
| TTA | TTAT.3G-25.469(R10-10.1.0) | 10.1.0 | Approved | Aug 12 | http://www.tta.or.kr/data/ttasDown.jsp?where=14688&pk_num=TTAT.3G-25.469(R10-10.1.0) |

Release 11

| | | | | | |
|------|----------------------------|--------|-----------|--------|---|
| ARIB | ARIB STD T63-25.469 | 11.2.0 | Approved | Jul 13 | http://www.arib.or.jp/english/html/overview/doc/STD-T63v10_00/2_T63/ARIB-STD-T63/Rel11/25/A25469-b20.pdf |
| ATIS | ATIS.3GPP.25.469V1120-2014 | 11.2.0 | Approved | May 14 | https://www.atis.org/docstore/default.aspx |
| CCSA | CCSA-TSD-DS-25.469 | 11.2.0 | Published | Jun 14 | http://www.ccsa.org.cn/english/tc/files.php?docpath=/ITU-R/M.1457/M.1457-12/DS |
| ETSI | ETSI TS 125 469 | 11.2.0 | Published | Apr 13 | http://www.etsi.org/deliver/etsi_ts/125400_125499/125469/11.02.00_60/ |
| TTA | TTAT.3G-25.469(R11-11.2.0) | 11.2.0 | published | Aug 14 | http://www.tta.or.kr/data/ttasDown.jsp?where=14688&pk_num=TTAT.3G-22.174(R11-11.0.0) |

5.1.2.3.37 TS 25.484**Automatic Neighbour Relation (ANR) for UTRAN; Stage 2**

This document specifies the Automatic Neighbour Relation (ANR) function for UTRAN.

| SDO (2) | Document No. | Version | Status | Issued date | Location (1) |
|-------------------|-----------------------------|---------|-----------|-------------|---|
| Release 10 | | | | | |
| ATIS | ATIS.3GPP.25.484V1020-2014 | 10.2.0 | Approved | May 14 | https://www.atis.org/docstore/default.aspx |
| CCSA | CCSA-TSD-DS-25.484 | 10.0.1 | Published | Jun 12 | http://www.ccsa.org.cn/english/tc/files.php?docpath=/ITU-R/M.1457/M.1457-12/DS |
| ETSI | ETSI TS 125 484 | 10.2.0 | Published | Oct 12 | http://www.etsi.org/deliver/etsi_ts/125400_125499/125484/10.02.00_60/ |
| TTA | TTAT.3G-25.484(R10-10.0.1) | 10.0.1 | Approved | Aug 12 | http://www.tta.or.kr/data/ttasDown.jsp?where=14688&pk_num=TTAT.3G-25.484(R10-10.0.1) |
| TTC | TS-3GA-25.484(Rel10)v10.2.0 | 10.2.0 | Approved | Dec 12 | http://www.ttc.or.jp/j/document_list/free/3gpps2012/TS/TS-3GA-25.484(Rel10)v10.2.0.pdf |
| Release 11 | | | | | |
| ATIS | ATIS.3GPP.25.484V1110-2014 | 11.1.0 | Approved | May 14 | https://www.atis.org/docstore/default.aspx |
| CCSA | CCSA-TSD-DS-25.484 | 11.1.0 | Published | Jun 14 | http://www.ccsa.org.cn/english/tc/files.php?docpath=/ITU-R/M.1457/M.1457-12/DS |
| ETSI | ETSI TS 125 484 | 11.1.0 | Published | Apr 13 | http://www.etsi.org/deliver/etsi_ts/125400_125499/125484/11.01.00_60/ |
| TTA | TTAT.3G-25.484(R11-11.1.0) | 11.1.0 | published | Aug 14 | http://www.tta.or.kr/data/ttasDown.jsp?where=14688&pk_num=TTAT.3G-22.182(R11-11.0.0) |
| TTC | TS-3GA-25.484(Rel11)v11.1.0 | 11.1.0 | Approved | Jun 13 | http://www.ttc.or.jp/j/document_list/free/3gpps2013/TS/TS-3GA-25.484(Rel11)v11.1.0.pdf |

5.1.2.4 25.100 series

5.1.2.4.1 TS 25.101

User Equipment (UE) radio transmission and reception (FDD)

This document establishes the minimum RF characteristics of the UTRA User Equipment (UE) operating in the FDD mode. The values in the TS make no allowance for measurement uncertainty in conformance testing. Test limits to be used for conformance testing are specified separately in the UE conformance test specifications TS 34.121.

| SDO (2) | Document No. | Version | Status | Issued date | Location (1) |
|-------------------|-----------------------------|---------|-----------|-------------|---|
| Release 99 | | | | | |
| ARIB | ARIB STD-T63-25.101 | 3.19.0 | Approved | Jul 13 | http://www.arib.or.jp/english/html/overview/doc/STD-T63v10_00/2_T63/ARIB-STD-T63/R99/25/A25101-3j0.pdf |
| ATIS | ATIS.3GPP.25.101V3190-2007 | 3.19.0 | Approved | Oct 07 | https://www.atis.org/docstore/default.aspx |
| CCSA | CCSA-TSD-DS-25.101 | 3.19.0 | Published | Jan 07 | http://www.ccsa.org.cn/english/tc/files.php?docpath=/ITU-R/M.1457/M.1457-12/DS |
| ETSI | ETSI TS 125 101 | 3.19.0 | Published | Jan 07 | http://www.etsi.org/deliver/etsi_ts/125100_125199/125101/03.19.00_60/ |
| TTA | TTAT.3G-25.101(R99F-3.19.0) | 3.19.0 | Approved | Dec 07 | http://www.tta.or.kr/data/ttasDown.jsp?where=14688&pk_num=TTAT.3G-25.101(R99F-3.19.0) |
| Release 4 | | | | | |
| ARIB | ARIB STD-T63-25.101 | 4.13.0 | Approved | Jul 13 | http://www.arib.or.jp/english/html/overview/doc/STD-T63v10_00/2_T63/ARIB-STD-T63/Rel4/25/A25101-4d0.pdf |
| ATIS | ATIS.3GPP.25.101V4130-2007 | 4.13.0 | Approved | Oct 07 | https://www.atis.org/docstore/default.aspx |
| CCSA | CCSA-TSD-DS-25.101 | 4.13.0 | Published | Jan 07 | http://www.ccsa.org.cn/english/tc/files.php?docpath=/ITU-R/M.1457/M.1457-12/DS |
| ETSI | ETSI TS 125 101 | 4.13.0 | Published | Jan 07 | http://www.etsi.org/deliver/etsi_ts/125100_125199/125101/04.13.00_60/ |
| TTA | TTAT.3G-25.101(R4F-4.13.0) | 4.13.0 | Approved | Dec 07 | http://www.tta.or.kr/data/ttasDown.jsp?where=14688&pk_num=TTAT.3G-25.101(R4F-4.13.0) |
| Release 5 | | | | | |
| ARIB | ARIB STD-T63-25.101 | 5.20.0 | Approved | Jul 13 | http://www.arib.or.jp/english/html/overview/doc/STD-T63v10_00/2_T63/ARIB-STD-T63/Rel5/25/A25101-5k0.pdf |
| ATIS | ATIS.3GPP.25.101V5200-2007 | 5.20.0 | Approved | Oct 07 | https://www.atis.org/docstore/default.aspx |
| CCSA | CCSA-TSD-DS-25.101 | 5.20.0 | Published | Jan 07 | http://www.ccsa.org.cn/english/tc/files.php?docpath=/ITU-R/M.1457/M.1457-12/DS |
| ETSI | ETSI TS 125 101 | 5.20.0 | Published | Jan 07 | http://www.etsi.org/deliver/etsi_ts/125100_125199/125101/05.20.00_60/ |
| TTA | TTAT.3G-25.101(R5F-5.20.0) | 5.20.0 | Approved | Dec 07 | http://www.tta.or.kr/data/ttasDown.jsp?where=14688&pk_num=TTAT.3G-25.101(R5F-5.20.0) |
| Release 6 | | | | | |
| ARIB | ARIB STD-T63-25.101 | 6.19.0 | Approved | Jul 13 | http://www.arib.or.jp/english/html/overview/doc/STD-T63v10_00/2_T63/ARIB-STD-T63/Rel6/25/A25101-6j0.pdf |
| ATIS | ATIS.3GPP.25.101V6190-2009 | 6.19.0 | Approved | Jul 09 | https://www.atis.org/docstore/default.aspx |
| CCSA | CCSA-TSD-DS-25.101 | 6.19.0 | Published | Mar 09 | http://www.ccsa.org.cn/english/tc/files.php?docpath=/ITU-R/M.1457/M.1457-12/DS |
| ETSI | ETSI TS 125 101 | 6.19.0 | Published | Mar 09 | http://www.etsi.org/deliver/etsi_ts/125100_125199/125101/06.19.00_60/ |
| TTA | TTAT.3G-25.101(R6F-6.19.0) | 6.19.0 | Approved | Jul 09 | http://www.tta.or.kr/data/ttasDown.jsp?where=14688&pk_num=TTAT.3G-25.101(R6F-6.19.0) |
| Release 7 | | | | | |
| ARIB | ARIB STD-T63-25.101 | 7.18.0 | Approved | Jul 13 | http://www.arib.or.jp/english/html/overview/doc/STD-T63v10_00/2_T63/ARIB-STD-T63/Rel7/25/A25101-7i0.pdf |
| ATIS | ATIS.3GPP.25.101V7180-2012 | 7.18.0 | Approved | Jul 12 | https://www.atis.org/docstore/default.aspx |
| CCSA | CCSA-TSD-DS-25.101 | 7.18.0 | Published | Jun 12 | http://www.ccsa.org.cn/english/tc/files.php?docpath=/ITU-R/M.1457/M.1457-12/DS |
| ETSI | ETSI TS 125 101 | 7.18.0 | Published | Oct 10 | http://www.etsi.org/deliver/etsi_ts/125100_125199/125101/07.18.00_60/ |
| TTA | TTAT.3G-25.101(R7F-7.15.0) | 7.15.0 | Approved | Jul 09 | http://www.tta.or.kr/data/ttasDown.jsp?where=14688&pk_num=TTAT.3G-25.101(R7F-7.15.0) |
| Release 8 | | | | | |
| ARIB | ARIB STD-T63-25.101 | 8.16.0 | Approved | Jul 13 | http://www.arib.or.jp/english/html/overview/doc/STD-T63v10_40/2_T63/ARIB-STD-T63/Rel8/25/A25101-8g0.pdf |
| ATIS | ATIS.3GPP.25.101V8160-2014 | 8.16.0 | Approved | May 14 | https://www.atis.org/docstore/default.aspx |

| | | | | | |
|-------------------|----------------------------|--------|-----------|--------|---|
| CCSA | CCSA-TSD-DS-25.101 | 8.15.0 | Published | Jun 12 | http://www.ccsa.org.cn/english/tc/files.php?docpath=/ITU-R/M.1457/M.1457-12/DS |
| ETSI | ETSI TS 125 101 | 8.16.0 | Published | Jul 12 | http://www.etsi.org/deliver/etsi_ts/125100_125199/125101/08.16.00_60/ |
| TTA | TTAT.3G-25.101(R8F-8.6.0) | 8.6.0 | Approved | Jul 09 | http://www.tta.or.kr/data/ttasDown.jsp?where=14688&pk_num=TTAT.3G-25.101(R8F-8.6.0) |
| Release 9 | | | | | |
| ARIB | ARIB STD-T63-25.101 | 9.11.0 | Approved | Jul 13 | http://www.arib.or.jp/english/html/overview/doc/STD-T63v10_00/2_T63/ARIB-STD-T63/Rel9/25/A25101-9b0.pdf |
| ATIS | ATIS.3GPP.25.101V9110-2014 | 9.11.0 | Approved | May 14 | https://www.atis.org/docstore/default.aspx |
| CCSA | CCSA-TSD-DS-25.101 | 9.8.0 | Published | Jun 12 | http://www.ccsa.org.cn/english/tc/files.php?docpath=/ITU-R/M.1457/M.1457-12/DS |
| ETSI | ETSI TS 125 101 | 9.11.0 | Published | Feb 13 | http://www.etsi.org/deliver/etsi_ts/125100_125199/125101/09.11.00_60/ |
| TTA | TTAT.3G-25.101(R9-9.3.0) | 9.3.0 | Approved | Jul 10 | http://www.tta.or.kr/data/ttasDown.jsp?where=14688&pk_num=TTAT.3G-25.101(R9-9.3.0) |
| Release 10 | | | | | |
| ARIB | ARIB STD-T63-25.101 | 10.8.0 | Approved | Jul 13 | http://www.arib.or.jp/english/html/overview/doc/STD-T63v10_00/2_T63/ARIB-STD-T63/Rel10/25/A25101-a80.pdf |
| ATIS | ATIS.3GPP.25.101V1080-2014 | 10.8.0 | Approved | May 14 | https://www.atis.org/docstore/default.aspx |
| CCSA | CCSA-TSD-DS-25.101 | 10.4.0 | Published | Jun 12 | http://www.ccsa.org.cn/english/tc/files.php?docpath=/ITU-R/M.1457/M.1457-12/DS |
| ETSI | ETSI TS 125 101 | 10.8.0 | Published | Feb 13 | http://www.etsi.org/deliver/etsi_ts/125100_125199/125101/10.08.00_60/ |
| TTA | TTAT.3G-25.101(R10-10.5.0) | 10.5.0 | Approved | Aug 12 | http://www.tta.or.kr/data/ttasDown.jsp?where=14688&pk_num=TTAT.3G-25.101(R10-10.5.0) |
| Release 11 | | | | | |
| ARIB | ARIB STD-T63-25.101 | 11.5.0 | Approved | Jul 13 | http://www.arib.or.jp/english/html/overview/doc/STD-T63v10_00/2_T63/ARIB-STD-T63/Rel11/25/A25101-b50.pdf |
| ATIS | ATIS.3GPP.25.101V1150-2014 | 11.5.0 | Approved | May 14 | https://www.atis.org/docstore/default.aspx |
| CCSA | CCSA-TSD-DS-25.101 | 11.9.2 | Published | Jun 14 | http://www.ccsa.org.cn/english/tc/files.php?docpath=/ITU-R/M.1457/M.1457-12/DS |
| ETSI | ETSI TS 125 101 | 11.5.0 | Published | Apr 13 | http://www.etsi.org/deliver/etsi_ts/125100_125199/125101/11.05.00_60/ |
| TTA | TTAT.3G-25.101(R11-11.5.0) | 11.5.0 | published | Aug 14 | http://www.tta.or.kr/data/ttasDown.jsp?where=14688&pk_num=TTAT.3G-22.183(R11-11.0.0) |

5.1.2.4.2 TS 25.106

UTRA repeater radio transmission and reception

This document establishes the minimum radio frequency performance of UTRA repeaters.

| SDO (2) | Document No. | Version | Status | Issued date | Location (1) |
|------------------|----------------------------|---------|-----------|-------------|---|
| Release 4 | | | | | |
| ATIS | ATIS.3GPP.25.106V4100-2007 | 4.10.0 | Approved | Oct 07 | https://www.atis.org/docstore/default.aspx |
| CCSA | CCSA-TSD-DS-25.106 | 4.10.0 | Published | Jun 07 | http://www.ccsa.org.cn/english/tc/files.php?docpath=/ITU-R/M.1457/M.1457-12/DS |
| ETSI | ETSI TS 125 106 | 4.10.0 | Published | Jun 07 | http://www.etsi.org/deliver/etsi_ts/125100_125199/125106/04.10.00_60/ |
| TTA | TTAT.3G-25.106(R4-4.10.0) | 4.10.0 | Approved | Dec 07 | http://www.tta.or.kr/data/ttasDown.jsp?where=14688&pk_num=TTAT.3G-25.106(R4-4.10.0) |
| Release 5 | | | | | |
| ATIS | ATIS.3GPP.25.106V5130-2007 | 5.13.0 | Approved | Oct 07 | https://www.atis.org/docstore/default.aspx |
| CCSA | CCSA-TSD-DS-25.106 | 5.13.0 | Published | Jun 07 | http://www.ccsa.org.cn/english/tc/files.php?docpath=/ITU-R/M.1457/M.1457-12/DS |
| ETSI | ETSI TS 125 106 | 5.13.0 | Published | Jun 07 | http://www.etsi.org/deliver/etsi_ts/125100_125199/125106/05.13.00_60/ |
| TTA | TTAT.3G-25.106(R5-5.13.0) | 5.13.0 | Approved | Dec 07 | http://www.tta.or.kr/data/ttasDown.jsp?where=14688&pk_num=TTAT.3G-25.106(R5-5.13.0) |
| Release 6 | | | | | |
| ATIS | ATIS.3GPP.25.106V670-2007 | 6.7.0 | Approved | Oct 07 | https://www.atis.org/docstore/default.aspx |
| CCSA | CCSA-TSD-DS-25.106 | 6.7.0 | Published | Jul 07 | http://www.ccsa.org.cn/english/tc/files.php?docpath=/ITU-R/M.1457/M.1457-12/DS |
| ETSI | ETSI TS 125 106 | 6.7.0 | Published | Jul 07 | http://www.etsi.org/deliver/etsi_ts/125100_125199/125106/06.07.00_60/ |
| TTA | TTAT.3G-25.106(R6-6.7.0) | 6.7.0 | Approved | Dec 07 | http://www.tta.or.kr/data/ttasDown.jsp?where=14688&pk_num=TTAT.3G-25.106(R6-6.7.0) |

Release 7

| | | | | | |
|------|---------------------------|-------|-----------|--------|---|
| ATIS | ATIS.3GPP.25.106V740-2012 | 7.4.0 | Approved | Jul 12 | https://www.atis.org/docstore/default.aspx |
| CCSA | CCSA-TSD-DS-25.106 | 7.4.0 | Published | Jun 12 | http://www.ccsa.org.cn/english/tc/files.php?docpath=/ITU-R/M.1457/M.1457-12/DS |
| ETSI | ETSI TS 125 106 | 7.4.0 | Published | Oct 10 | http://www.etsi.org/deliver/etsi_ts/125100_125199/125106/07.04.00_60/ |
| TTA | TTAT.3G-25.106(R7-7.3.0) | 7.3.0 | Approved | Dec 07 | http://www.tta.or.kr/data/ttasDown.jsp?where=14688&pk_num=TTAT.3G-25.106(R7-7.3.0) |

Release 8

| | | | | | |
|------|---------------------------|-------|-----------|--------|---|
| ATIS | ATIS.3GPP.25.106V860-2014 | 8.6.0 | Approved | May 14 | https://www.atis.org/docstore/default.aspx |
| CCSA | CCSA-TSD-DS-25.106 | 8.5.0 | Published | Jun 12 | http://www.ccsa.org.cn/english/tc/files.php?docpath=/ITU-R/M.1457/M.1457-12/DS |
| ETSI | ETSI TS 125 106 | 8.6.0 | Published | Jul 12 | http://www.etsi.org/deliver/etsi_ts/125100_125199/125106/08.06.00_60/ |
| TTA | TTAT.3G-25.106(R8-8.1.0) | 8.1.0 | Approved | Jul 09 | http://www.tta.or.kr/data/ttasDown.jsp?where=14688&pk_num=TTAT.3G-25.106(R8-8.1.0) |

Release 9

| | | | | | |
|------|---------------------------|-------|-----------|--------|---|
| ATIS | ATIS.3GPP.25.106V931-2014 | 9.3.1 | Approved | May 14 | https://www.atis.org/docstore/default.aspx |
| CCSA | CCSA-TSD-DS-25.106 | 9.2.0 | Published | Jun 12 | http://www.ccsa.org.cn/english/tc/files.php?docpath=/ITU-R/M.1457/M.1457-12/DS |
| ETSI | ETSI TS 125 106 | 9.3.1 | Published | Aug 12 | http://www.etsi.org/deliver/etsi_ts/125100_125199/125106/09.03.01_60/ |
| TTA | TTAT.3G-25.106(R9-9.0.0) | 9.0.0 | Approved | Jul 10 | http://www.tta.or.kr/data/ttasDown.jsp?where=14688&pk_num=TTAT.3G-25.106(R9-9.0.0) |

Release 10

| | | | | | |
|------|----------------------------|--------|-----------|--------|---|
| ATIS | ATIS.3GPP.25.106V1040-2014 | 10.4.0 | Approved | May 14 | https://www.atis.org/docstore/default.aspx |
| CCSA | CCSA-TSD-DS-25.106 | 10.0.0 | Published | Jun 12 | http://www.ccsa.org.cn/english/tc/files.php?docpath=/ITU-R/M.1457/M.1457-12/DS |
| ETSI | ETSI TS 125 106 | 10.4.0 | Published | Feb 13 | http://www.etsi.org/deliver/etsi_ts/125100_125199/125106/10.04.00_60/ |
| TTA | TTAT.3G-25.106(R10-10.1.0) | 10.1.0 | Approved | Aug 12 | http://www.tta.or.kr/data/ttasDown.jsp?where=14688&pk_num=TTAT.3G-25.106(R10-10.1.0) |

Release 11

| | | | | | |
|------|----------------------------|--------|-----------|--------|---|
| ATIS | ATIS.3GPP.25.106V1110-2014 | 11.1.0 | Approved | May 14 | https://www.atis.org/docstore/default.aspx |
| CCSA | CCSA-TSD-DS-25.106 | 11.1.0 | Published | Jun 14 | http://www.ccsa.org.cn/english/tc/files.php?docpath=/ITU-R/M.1457/M.1457-12/DS |
| ETSI | ETSI TS 125 106 | 11.1.0 | Published | Feb 13 | http://www.etsi.org/deliver/etsi_ts/125100_125199/125106/11.01.00_60/ |
| TTA | TTAT.3G-25.106(R11-11.1.0) | 11.1.0 | published | Aug 14 | http://www.tta.or.kr/data/ttasDown.jsp?where=14688&pk_num=TTAT.3G-22.220(R11-11.6.0) |

5.1.2.4.3 TS 25.133**Requirements for support of radio resource management (FDD)**

This specification describes the requirements for support of radio resource management for FDD including requirements on measurements in UTRAN and the UE as well as on node dynamic behaviour and interaction, in terms of delay and response characteristics.

| SDO (2) | Document No. | Version | Status | Issued date | Location (1) |
|-------------------|-----------------------------|---------|-----------|-------------|---|
| Release 99 | | | | | |
| ARIB | ARIB STD-T63-25.133 | 3.22.0 | Approved | Jul 13 | http://www.arib.or.jp/english/html/overview/doc/STD-T63v10_00/2_T63/ARIB-STD-T63/R99/25/A25133-3m0.pdf |
| ATIS | ATIS.3GPP.25.133V3220-2006 | 3.22.0 | Approved | Apr 06 | https://www.atis.org/docstore/default.aspx |
| CCSA | CCSA-TSD-DS-25.133 | 3.22.0 | Published | Oct 05 | http://www.ccsa.org.cn/english/tc/files.php?docpath=/ITU-R/M.1457/M.1457-12/DS |
| ETSI | ETSI TS 125 133 | 3.22.0 | Published | Oct 05 | http://www.etsi.org/deliver/etsi_ts/125100_125199/125133/03.22.00_60/ |
| TTA | TTAT.3G-25.133(R99F-3.22.0) | 3.22.0 | Approved | Apr 06 | http://www.tta.or.kr/data/ttasDown.jsp?where=14688&pk_num=TTAT.3G-25.133(R99F-3.22.0) |
| Release 4 | | | | | |
| ARIB | ARIB STD-T63-25.133 | 4.17.0 | Approved | Jul 13 | http://www.arib.or.jp/english/html/overview/doc/STD-T63v10_00/2_T63/ARIB-STD-T63/Rel4/25/A25133-4h0.pdf |
| ATIS | ATIS.3GPP.25.133V4170-2007 | 4.17.0 | Approved | Oct 07 | https://www.atis.org/docstore/default.aspx |
| CCSA | CCSA-TSD-DS-25.133 | 4.17.0 | Published | Jun 06 | http://www.ccsa.org.cn/english/tc/files.php?docpath=/ITU-R/M.1457/M.1457-12/DS |

| | | | | | |
|-------------------|----------------------------|--------|-----------|--------|---|
| ETSI | ETSI TS 125 133 | 4.17.0 | Published | Jun 06 | http://www.etsi.org/deliver/etsi_ts/125100_125199/125133/04.17.00_60/ |
| TTA | TTAT.3G-25.133(R4F-4.17.0) | 4.17.0 | Approved | Dec 07 | http://www.tta.or.kr/data/ttasDown.jsp?where=14688&pk_num=TTAT.3G-25.133(R4F-4.17.0) |
| Release 5 | | | | | |
| ARIB | ARIB STD-T63-25.133 | 5.18.0 | Approved | Jul 13 | http://www.arib.or.jp/english/html/overview/doc/STD-T63v10_00/2_T63/ARIB-STD-T63/Rel5/25/A25133-5i0.pdf |
| ATIS | ATIS.3GPP.25.133V5180-2007 | 5.18.0 | Approved | Oct 07 | https://www.atis.org/docstore/default.aspx |
| CCSA | CCSA-TSD-DS-25.133 | 5.18.0 | Published | Oct 07 | http://www.ccsa.org.cn/english/tc/files.php?docpath=/ITU-R/M.1457/M.1457-12/DS |
| ETSI | ETSI TS 125 133 | 5.18.0 | Published | Oct 07 | http://www.etsi.org/deliver/etsi_ts/125100_125199/125133/05.18.00_60/ |
| TTA | TTAT.3G-25.133(R5F-5.18.0) | 5.18.0 | Approved | Dec 07 | http://www.tta.or.kr/data/ttasDown.jsp?where=14688&pk_num=TTAT.3G-25.133(R5F-5.18.0) |
| Release 6 | | | | | |
| ARIB | ARIB STD-T63-25.133 | 6.24.0 | Approved | Jul 13 | http://www.arib.or.jp/english/html/overview/doc/STD-T63v10_00/2_T63/ARIB-STD-T63/Rel6/25/A25133-6o0.pdf |
| ATIS | ATIS.3GPP.25.133V6240-2009 | 6.24.0 | Approved | Jul 09 | https://www.atis.org/docstore/default.aspx |
| CCSA | CCSA-TSD-DS-25.133 | 6.24.0 | Published | Mar 09 | http://www.ccsa.org.cn/english/tc/files.php?docpath=/ITU-R/M.1457/M.1457-12/DS |
| ETSI | ETSI TS 125 133 | 6.24.0 | Published | Mar 09 | http://www.etsi.org/deliver/etsi_ts/125100_125199/125133/06.24.00_60/ |
| TTA | TTAT.3G-25.133(R6F-6.24.0) | 6.24.0 | Approved | Jul 09 | http://www.tta.or.kr/data/ttasDown.jsp?where=14688&pk_num=TTAT.3G-25.133(R6F-6.24.0) |
| Release 7 | | | | | |
| ARIB | ARIB STD-T63-25.133 | 7.15.0 | Approved | Jul 13 | http://www.arib.or.jp/english/html/overview/doc/STD-T63v10_00/2_T63/ARIB-STD-T63/Rel7/25/A25133-7f0.pdf |
| ATIS | ATIS.3GPP.25.133V7150-2010 | 7.15.0 | Approved | Jul 10 | https://www.atis.org/docstore/default.aspx |
| CCSA | CCSA-TSD-DS-25.133 | 7.15.0 | Published | Mar 10 | http://www.ccsa.org.cn/english/tc/files.php?docpath=/ITU-R/M.1457/M.1457-12/DS |
| ETSI | ETSI TS 125 133 | 7.15.0 | Published | Oct 09 | http://www.etsi.org/deliver/etsi_ts/125100_125199/125133/07.15.00_60/ |
| TTA | TTAT.3G-25.133(R7F-7.14.0) | 7.14.0 | Approved | Jul 09 | http://www.tta.or.kr/data/ttasDown.jsp?where=14688&pk_num=TTAT.3G-25.133(R7F-7.14.0) |
| Release 8 | | | | | |
| ARIB | ARIB STD-T63-25.133 | 8.19.0 | Approved | Jul 13 | http://www.arib.or.jp/english/html/overview/doc/STD-T63v10_00/2_T63/ARIB-STD-T63/Rel8/25/A25133-8j0.pdf |
| ATIS | ATIS.3GPP.25.133V8190-2014 | 8.19.0 | Approved | May 14 | https://www.atis.org/docstore/default.aspx |
| CCSA | CCSA-TSD-DS-25.133 | 8.15.0 | Published | Jun 12 | http://www.ccsa.org.cn/english/tc/files.php?docpath=/ITU-R/M.1457/M.1457-12/DS |
| ETSI | ETSI TS 125 133 | 8.19.0 | Published | Apr 13 | http://www.etsi.org/deliver/etsi_ts/125100_125199/125133/08.19.00_60/ |
| TTA | TTAT.3G-25.133(R8F-8.6.0) | 8.6.0 | Approved | Jul 09 | http://www.tta.or.kr/data/ttasDown.jsp?where=14688&pk_num=TTAT.3G-25.133(R8F-8.6.0) |
| Release 9 | | | | | |
| ARIB | ARIB STD-T63-25.133 | 9.15.0 | Approved | Jul 13 | http://www.arib.or.jp/english/html/overview/doc/STD-T63v10_00/2_T63/ARIB-STD-T63/Rel9/25/A25133-9f0.pdf |
| ATIS | ATIS.3GPP.25.133V9150-2014 | 9.15.0 | Approved | May 14 | https://www.atis.org/docstore/default.aspx |
| CCSA | CCSA-TSD-DS-25.133 | 9.10.0 | Published | Jun 12 | http://www.ccsa.org.cn/english/tc/files.php?docpath=/ITU-R/M.1457/M.1457-12/DS |
| ETSI | ETSI TS 125 133 | 9.15.0 | Published | Apr 13 | http://www.etsi.org/deliver/etsi_ts/125100_125199/125133/09.15.00_60/ |
| TTA | TTAT.3G-25.133(R9-9.3.0) | 9.3.0 | Approved | Jul 10 | http://www.tta.or.kr/data/ttasDown.jsp?where=14688&pk_num=TTAT.3G-25.133(R9-9.3.0) |
| Release 10 | | | | | |
| ARIB | ARIB STD-T63-25.133 | 10.9.0 | Approved | Jul 13 | http://www.arib.or.jp/english/html/overview/doc/STD-T63v10_00/2_T63/ARIB-STD-T63/Rel10/25/A25133-a90.pdf |
| ATIS | ATIS.3GPP.25.133V1090-2014 | 10.9.0 | Approved | May 14 | https://www.atis.org/docstore/default.aspx |
| CCSA | CCSA-TSD-DS-25.133 | 10.4.0 | Published | Jun 12 | http://www.ccsa.org.cn/english/tc/files.php?docpath=/ITU-R/M.1457/M.1457-12/DS |
| ETSI | ETSI TS 125 133 | 10.9.0 | Published | Apr 13 | http://www.etsi.org/deliver/etsi_ts/125100_125199/125133/10.09.00_60/ |
| TTA | TTAT.3G-25.133(R10-10.5.0) | 10.5.0 | Approved | Aug 12 | http://www.tta.or.kr/data/ttasDown.jsp?where=14688&pk_num=TTAT.3G-25.133(R10-10.5.0) |
| Release 11 | | | | | |
| ARIB | ARIB STD-T63-25.133 | 11.4.0 | Approved | Jul 13 | http://www.arib.or.jp/english/html/overview/doc/STD-T63v10_00/2_T63/ARIB-STD-T63/Rel11/25/A25133-b40.pdf |
| ATIS | ATIS.3GPP.25.133V1140-2014 | 11.4.0 | Approved | May 14 | https://www.atis.org/docstore/default.aspx |
| CCSA | CCSA-TSD-DS-25.133 | 11.8.0 | Published | Jun 14 | http://www.ccsa.org.cn/english/tc/files.php?docpath=/ITU-R/M.1457/M.1457-12/DS |
| ETSI | ETSI TS 125 133 | 11.4.0 | Published | Apr 13 | http://www.etsi.org/deliver/etsi_ts/125100_125199/125133/11.04.00_60/ |
| TTA | TTAT.3G-25.133(R11-11.4.0) | 11.4.0 | published | Aug 14 | http://www.tta.or.kr/data/ttasDown.jsp?where=14688&pk_num=TTAT.3G-22.226(R11-11.0.0) |

5.1.2.4.4 TS 25.104

Base Station (BS) radio transmission and reception (FDD)

This specification describes the base station minimum RF characteristics of the FDD mode of UTRA. The values in the TS make no allowance for measurements uncertainties in conformance testing. Test limit to be used for conformance testing are specified separately in the BS conformance test Specification TS 25.141.

| SDO (2) | Document No. | Version | Status | Issued date | Location (1) |
|-------------------|-----------------------------|---------|-----------|-------------|---|
| Release 99 | | | | | |
| ARIB | ARIB STD-T63-25.104 | 3.14.0 | Approved | Jul 13 | http://www.arib.or.jp/english/html/overview/doc/STD-T63v10_00/2_T63/ARIB-STD-T63/R99/25/A25104-3e0.pdf |
| ATIS | ATIS.3GPP.25.104V3140-2007 | 3.14.0 | Approved | Oct 07 | https://www.atis.org/docstore/default.aspx |
| CCSA | CCSA-TSD-DS-25.104 | 3.14.0 | Published | Mar 07 | http://www.ccsa.org.cn/english/tc/files.php?docpath=/ITU-R/M.1457/M.1457-12/DS |
| ETSI | ETSI TS 125 104 | 3.14.0 | Published | Mar 07 | http://www.etsi.org/deliver/etsi_ts/125100_125199/125104/03.14.00_60/ |
| TTA | TTAT.3G-25.104(R99F-3.14.0) | 3.14.0 | Approved | Dec 07 | http://www.tta.or.kr/data/ttasDown.jsp?where=14688&pk_num=TTAT.3G-25.104(R99F-3.14.0) |
| Release 4 | | | | | |
| ARIB | ARIB STD-T63-25.104 | 4.9.0 | Approved | Jul 13 | http://www.arib.or.jp/english/html/overview/doc/STD-T63v10_00/2_T63/ARIB-STD-T63/Rel4/25/A25104-490.pdf |
| ATIS | ATIS.3GPP.25.104V490-2007 | 4.9.0 | Approved | Oct 07 | https://www.atis.org/docstore/default.aspx |
| CCSA | CCSA-TSD-DS-25.104 | 4.9.0 | Published | Mar 07 | http://www.ccsa.org.cn/english/tc/files.php?docpath=/ITU-R/M.1457/M.1457-12/DS |
| ETSI | ETSI TS 125 104 | 4.9.0 | Published | Mar 07 | http://www.etsi.org/deliver/etsi_ts/125100_125199/125104/04.09.00_60/ |
| TTA | TTAT.3G-25.104(R4F-4.9.0) | 4.9.0 | Approved | Dec 07 | http://www.tta.or.kr/data/ttasDown.jsp?where=14688&pk_num=TTAT.3G-25.104(R4F-4.9.0) |
| Release 5 | | | | | |
| ARIB | ARIB STD-T63-25.104 | 5.13.0 | Approved | Jul 13 | http://www.arib.or.jp/english/html/overview/doc/STD-T63v10_00/2_T63/ARIB-STD-T63/Rel5/25/A25104-5d0.pdf |
| ATIS | ATIS.3GPP.25.104V5130-2007 | 5.13.0 | Approved | Oct 07 | https://www.atis.org/docstore/default.aspx |
| CCSA | CCSA-TSD-DS-25.104 | 5.13.0 | Published | Mar 07 | http://www.ccsa.org.cn/english/tc/files.php?docpath=/ITU-R/M.1457/M.1457-12/DS |
| ETSI | ETSI TS 125 104 | 5.13.0 | Published | Mar 07 | http://www.etsi.org/deliver/etsi_ts/125100_125199/125104/05.13.00_60/ |
| TTA | TTAT.3G-25.104(R5F-5.13.0) | 5.13.0 | Approved | Dec 07 | http://www.tta.or.kr/data/ttasDown.jsp?where=14688&pk_num=TTAT.3G-25.104(R5F-5.13.0) |
| Release 6 | | | | | |
| ARIB | ARIB STD-T63-25.104 | 6.18.0 | Approved | Jul 13 | http://www.arib.or.jp/english/html/overview/doc/STD-T63v10_00/2_T63/ARIB-STD-T63/Rel6/25/A25104-6i0.pdf |
| ATIS | ATIS.3GPP.25.104V6180-2010 | 6.18.0 | Approved | Jul 10 | https://www.atis.org/docstore/default.aspx |
| CCSA | CCSA-TSD-DS-25.104 | 6.18.0 | Published | Mar 10 | http://www.ccsa.org.cn/english/tc/files.php?docpath=/ITU-R/M.1457/M.1457-12/DS |
| ETSI | ETSI TS 125 104 | 6.18.0 | Published | Jul 09 | http://www.etsi.org/deliver/etsi_ts/125100_125199/125104/06.18.00_60/ |
| TTA | TTAT.3G-25.104(R6F-6.17.0) | 6.17.0 | Approved | Oct 08 | http://www.tta.or.kr/data/ttasDown.jsp?where=14688&pk_num=TTAT.3G-25.104(R6F-6.17.0) |
| Release 7 | | | | | |
| ARIB | ARIB STD-T63-25.104 | 7.13.0 | Approved | Jul 13 | http://www.arib.or.jp/english/html/overview/doc/STD-T63v10_00/2_T63/ARIB-STD-T63/Rel7/25/A25104-7d0.pdf |
| ATIS | ATIS.3GPP.25.104V7130-2010 | 7.13.0 | Approved | Jul 10 | https://www.atis.org/docstore/default.aspx |
| CCSA | CCSA-TSD-DS-25.104 | 7.13.0 | Published | Mar 10 | http://www.ccsa.org.cn/english/tc/files.php?docpath=/ITU-R/M.1457/M.1457-12/DS |
| ETSI | ETSI TS 125 104 | 7.13.0 | Published | Oct 09 | http://www.etsi.org/deliver/etsi_ts/125100_125199/125104/07.13.00_60/ |
| TTA | TTAT.3G-25.104(R7F-7.11.0) | 7.11.0 | Approved | Jul 09 | http://www.tta.or.kr/data/ttasDown.jsp?where=14688&pk_num=TTAT.3G-25.104(R7F-7.11.0) |
| Release 8 | | | | | |
| ARIB | ARIB STD-T63-25.104 | 8.14.0 | Approved | Jul 13 | http://www.arib.or.jp/english/html/overview/doc/STD-T63v10_40/2_T63/ARIB-STD-T63/Rel8/25/A25104-8e0.pdf |
| ATIS | ATIS.3GPP.25.104V8140-2014 | 8.14.0 | Approved | May 14 | https://www.atis.org/docstore/default.aspx |
| CCSA | CCSA-TSD-DS-25.104 | 8.13.0 | Published | Jun 12 | http://www.ccsa.org.cn/english/tc/files.php?docpath=/ITU-R/M.1457/M.1457-12/DS |
| ETSI | ETSI TS 125 104 | 8.14.0 | Published | Jul 12 | http://www.etsi.org/deliver/etsi_ts/125100_125199/125104/08.14.00_60/ |

| | | | | | |
|-------------------|----------------------------|--------|-----------|--------|---|
| TTA | TTAT.3G-25.104(R8F-8.6.0) | 8.6.0 | Approved | Jul 09 | http://www.tta.or.kr/data/ttasDown.jsp?where=14688&pk_num=TTAT.3G-25.104(R8F-8.6.0) |
| Release 9 | | | | | |
| ARIB | ARIB STD-T63-25.104 | 9.9.0 | Approved | Jul 13 | http://www.arib.or.jp/english/html/overview/doc/STD-T63v10_00/2_T63/ARIB-STD-T63/Rel9/25/A25104-990.pdf |
| ATIS | ATIS.3GPP.25.104V990-2014 | 9.9.0 | Approved | May 14 | https://www.atis.org/docstore/default.aspx |
| CCSA | CCSA-TSD-DS-25.104 | 9.7.0 | Published | Jun 12 | http://www.ccsa.org.cn/english/tc/files.php?docpath=/ITU-R/M.1457/M.1457-12/DS |
| ETSI | ETSI TS 125 104 | 9.9.0 | Published | Feb 13 | http://www.etsi.org/deliver/etsi_ts/125100_125199/125104/09.09.00_60/ |
| TTA | TTAT.3G-25.104(R9-9.3.0) | 9.3.0 | Approved | Jul 10 | http://www.tta.or.kr/data/ttasDown.jsp?where=14688&pk_num=TTAT.3G-25.104(R9-9.3.0) |
| Release 10 | | | | | |
| ARIB | ARIB STD-T63-25.104 | 10.8.0 | Approved | Jul 13 | http://www.arib.or.jp/english/html/overview/doc/STD-T63v10_00/2_T63/ARIB-STD-T63/Rel10/25/A25104-a80.pdf |
| ATIS | ATIS.3GPP.25.104V1080-2014 | 10.8.0 | Approved | May 14 | https://www.atis.org/docstore/default.aspx |
| CCSA | CCSA-TSD-DS-25.104 | 10.4.0 | Published | Jun 12 | http://www.ccsa.org.cn/english/tc/files.php?docpath=/ITU-R/M.1457/M.1457-12/DS |
| ETSI | ETSI TS 125 104 | 10.8.0 | Published | Feb 13 | http://www.etsi.org/deliver/etsi_ts/125100_125199/125104/10.08.00_60/ |
| TTA | TTAT.3G-25.104(R10-10.5.0) | 10.5.0 | Approved | Aug 12 | http://www.tta.or.kr/data/ttasDown.jsp?where=14688&pk_num=TTAT.3G-25.104(R10-10.5.0) |
| Release 11 | | | | | |
| ARIB | ARIB STD-T63-25.104 | 11.5.0 | Approved | Jul 13 | http://www.arib.or.jp/english/html/overview/doc/STD-T63v10_00/2_T63/ARIB-STD-T63/Rel11/25/A25104-b50.pdf |
| ATIS | ATIS.3GPP.25.104V1150-2014 | 11.5.0 | Approved | May 14 | https://www.atis.org/docstore/default.aspx |
| CCSA | CCSA-TSD-DS-25.104 | 11.8.0 | Published | Jun 14 | http://www.ccsa.org.cn/english/tc/files.php?docpath=/ITU-R/M.1457/M.1457-12/DS |
| ETSI | ETSI TS 125 104 | 11.5.0 | Published | Apr 13 | http://www.etsi.org/deliver/etsi_ts/125100_125199/125104/11.05.00_60/ |
| TTA | TTAT.3G-25.104(R11-11.5.0) | 11.5.0 | published | Aug 14 | http://www.tta.or.kr/data/ttasDown.jsp?where=14688&pk_num=TTAT.3G-22.228(R11-11.6.0) |

5.1.2.4.5 TS 25.141

Base Station (BS) conformance testing (FDD)

This specification describes the RF test methods and conformance requirements for UTRA base transceiver stations (BTS) operating in the FDD mode. These have been derived from, and are consistent with, the core UTRA specifications specified in the requirements reference subclause of each test. The maximum acceptable measurement uncertainty is specified in the TS for each test, where appropriate.

| SDO (2) | Document No. | Version | Status | Issued date | Location (1) |
|-------------------|-----------------------------|---------|-----------|-------------|---|
| Release 99 | | | | | |
| ARIB | ARIB STD-T63-25.141 | 3.15.0 | Approved | Jul 13 | http://www.arib.or.jp/english/html/overview/doc/STD-T63v10_00/2_T63/ARIB-STD-T63/R99/25/A25141-3f0.pdf |
| ATIS | ATIS.3GPP.25.141V3150-2007 | 3.15.0 | Approved | Oct 07 | https://www.atis.org/docstore/default.aspx |
| CCSA | CCSA-TSD-DS-25.141 | 3.15.0 | Published | Mar 07 | http://www.ccsa.org.cn/english/tc/files.php?docpath=/ITU-R/M.1457/M.1457-12/DS |
| ETSI | ETSI TS 125 141 | 3.15.0 | Published | Mar 07 | http://www.etsi.org/deliver/etsi_ts/125100_125199/125141/03.15.00_60/ |
| TTA | TTAT.3G-25.141(R99F-3.15.0) | 3.15.0 | Approved | Dec 07 | http://www.tta.or.kr/data/ttasDown.jsp?where=14688&pk_num=TTAT.3G-25.141(R99F-3.15.0) |
| Release 4 | | | | | |
| ARIB | ARIB STD-T63-25.141 | 4.10.0 | Approved | Jul 13 | http://www.arib.or.jp/english/html/overview/doc/STD-T63v10_00/2_T63/ARIB-STD-T63/Rel4/25/A25141-4a0.pdf |
| ATIS | ATIS.3GPP.25.141V4100-2007 | 4.10.0 | Approved | Oct 07 | https://www.atis.org/docstore/default.aspx |
| CCSA | CCSA-TSD-DS-25.141 | 4.10.0 | Published | Mar 07 | http://www.ccsa.org.cn/english/tc/files.php?docpath=/ITU-R/M.1457/M.1457-12/DS |
| ETSI | ETSI TS 125 141 | 4.10.0 | Published | Mar 07 | http://www.etsi.org/deliver/etsi_ts/125100_125199/125141/04.10.00_60/ |
| TTA | TTAT.3G-25.141(R4F-4.10.0) | 4.10.0 | Approved | Dec 07 | http://www.tta.or.kr/data/ttasDown.jsp?where=14688&pk_num=TTAT.3G-25.141(R4F-4.10.0) |
| Release 5 | | | | | |
| ARIB | ARIB STD-T63-25.141 | 5.15.0 | Approved | Jul 13 | http://www.arib.or.jp/english/html/overview/doc/STD-T63v10_00/2_T63/ARIB-STD-T63/Rel5/25/A25141-5f0.pdf |
| ATIS | ATIS.3GPP.25.141V5150-2007 | 5.15.0 | Approved | Oct 07 | https://www.atis.org/docstore/default.aspx |

| | | | | | |
|-------------------|----------------------------|--------|-----------|--------|---|
| CCSA | CCSA-TSD-DS-25.141 | 5.15.0 | Published | Oct 07 | http://www.ccsa.org.cn/english/tc/files.php?docpath=/ITU-R/M.1457/M.1457-12/DS |
| ETSI | ETSI TS 125 141 | 5.15.0 | Published | Oct 07 | http://www.etsi.org/deliver/etsi_ts/125100_125199/125141/05.15.00_60/ |
| TTA | TTAT.3G-25.141(R5F-5.15.0) | 5.15.0 | Approved | Dec 07 | http://www.tta.or.kr/data/ttasDown.jsp?where=14688&pk_num=TTAT.3G-25.141(R5F-5.15.0) |
| Release 6 | | | | | |
| ARIB | ARIB STD-T63-25.141 | 6.20.0 | Approved | Jul 13 | http://www.arib.or.jp/english/html/overview/doc/STD-T63v10_00/2_T63/ARIB-STD-T63/Rel6/25/A25141-6k0.pdf |
| ATIS | ATIS.3GPP.25.141V6200-2010 | 6.24.0 | Approved | Jul 10 | https://www.atis.org/docstore/default.aspx |
| CCSA | CCSA-TSD-DS-25.141 | 6.20.0 | Published | Mar 10 | http://www.ccsa.org.cn/english/tc/files.php?docpath=/ITU-R/M.1457/M.1457-12/DS |
| ETSI | ETSI TS 125 141 | 6.20.0 | Published | Jul 09 | http://www.etsi.org/deliver/etsi_ts/125100_125199/125141/06.20.00_60/ |
| TTA | TTAT.3G-25.141(R6F-6.19.0) | 6.19.0 | Approved | Oct 08 | http://www.tta.or.kr/data/ttasDown.jsp?where=14688&pk_num=TTAT.3G-25.141(R6F-6.19.0) |
| Release 7 | | | | | |
| ARIB | ARIB STD-T63-25.141 | 7.15.0 | Approved | Jul 13 | http://www.arib.or.jp/english/html/overview/doc/STD-T63v10_00/2_T63/ARIB-STD-T63/Rel7/25/A25141-7f0.pdf |
| ATIS | ATIS.3GPP.25.141V7150-2010 | 7.15.0 | Approved | Jul 10 | https://www.atis.org/docstore/default.aspx |
| CCSA | CCSA-TSD-DS-25.141 | 7.15.0 | Published | Mar 10 | http://www.ccsa.org.cn/english/tc/files.php?docpath=/ITU-R/M.1457/M.1457-12/DS |
| ETSI | ETSI TS 125 141 | 7.15.0 | Published | Feb 10 | http://www.etsi.org/deliver/etsi_ts/125100_125199/125141/07.15.00_60/ |
| TTA | TTAT.3G-25.141(R7F-7.12.0) | 7.12.0 | Approved | Jul 09 | http://www.tta.or.kr/data/ttasDown.jsp?where=14688&pk_num=TTAT.3G-25.141(R7F-7.12.0) |
| Release 8 | | | | | |
| ARIB | ARIB STD-T63-25.141 | 8.15.0 | Approved | Jul 13 | http://www.arib.or.jp/english/html/overview/doc/STD-T63v10_40/2_T63/ARIB-STD-T63/Rel8/25/A25141-8f0.pdf |
| ATIS | ATIS.3GPP.25.141V8150-2014 | 8.15.0 | Approved | May 14 | https://www.atis.org/docstore/default.aspx |
| CCSA | CCSA-TSD-DS-25.141 | 8.14.0 | Published | Jun 12 | http://www.ccsa.org.cn/english/tc/files.php?docpath=/ITU-R/M.1457/M.1457-12/DS |
| ETSI | ETSI TS 125 141 | 8.15.0 | Published | Jul 12 | http://www.etsi.org/deliver/etsi_ts/125100_125199/125141/08.15.00_60/ |
| TTA | TTAT.3G-25.141(R8F-8.6.0) | 8.6.0 | Approved | Jul 09 | http://www.tta.or.kr/data/ttasDown.jsp?where=14688&pk_num=TTAT.3G-25.141(R8F-8.6.0) |
| Release 9 | | | | | |
| ARIB | ARIB STD-T63-25.141 | 9.11.0 | Approved | Jul 13 | http://www.arib.or.jp/english/html/overview/doc/STD-T63v10_00/2_T63/ARIB-STD-T63/Rel9/25/A25141-9b0.pdf |
| ATIS | ATIS.3GPP.25.141V9110-2014 | 9.11.0 | Approved | May 14 | https://www.atis.org/docstore/default.aspx |
| CCSA | CCSA-TSD-DS-25.141 | 9.8.0 | Published | Jun 12 | http://www.ccsa.org.cn/english/tc/files.php?docpath=/ITU-R/M.1457/M.1457-12/DS |
| ETSI | ETSI TS 125 141 | 9.11.0 | Published | Feb 13 | http://www.etsi.org/deliver/etsi_ts/125100_125199/125141/09.11.00_60/ |
| TTA | TTAT.3G-25.141(R9-9.3.0) | 9.3.0 | Approved | Jul 10 | http://www.tta.or.kr/data/ttasDown.jsp?where=14688&pk_num=TTAT.3G-25.141(R9-9.3.0) |
| Release 10 | | | | | |
| ARIB | ARIB STD-T63-25.141 | 10.8.0 | Approved | Jul 13 | http://www.arib.or.jp/english/html/overview/doc/STD-T63v10_00/2_T63/ARIB-STD-T63/Rel10/25/A25141-a80.pdf |
| ATIS | ATIS.3GPP.25.141V1080-2014 | 10.8.0 | Approved | May 14 | https://www.atis.org/docstore/default.aspx |
| CCSA | CCSA-TSD-DS-25.141 | 10.4.0 | Published | Jun 12 | http://www.ccsa.org.cn/english/tc/files.php?docpath=/ITU-R/M.1457/M.1457-12/DS |
| ETSI | ETSI TS 125 141 | 10.8.0 | Published | Feb 13 | http://www.etsi.org/deliver/etsi_ts/125100_125199/125141/10.08.00_60/ |
| TTA | TTAT.3G-25.141(R10-10.5.0) | 10.5.0 | Approved | Aug 12 | http://www.tta.or.kr/data/ttasDown.jsp?where=14688&pk_num=TTAT.3G-25.141(R10-10.5.0) |
| Release 11 | | | | | |
| ARIB | ARIB STD-T63-25.141 | 11.4.0 | Approved | Jul 13 | http://www.arib.or.jp/english/html/overview/doc/STD-T63v10_00/2_T63/ARIB-STD-T63/Rel11/25/A25141-b40.pdf |
| ATIS | ATIS.3GPP.25.141V1140-2014 | 11.4.0 | Approved | May 14 | https://www.atis.org/docstore/default.aspx |
| CCSA | CCSA-TSD-DS-25.141 | 11.8.0 | Published | Jun 14 | http://www.ccsa.org.cn/english/tc/files.php?docpath=/ITU-R/M.1457/M.1457-12/DS |
| ETSI | ETSI TS 125 141 | 11.4.0 | Published | Feb 13 | http://www.etsi.org/deliver/etsi_ts/125100_125199/125141/11.04.00_60/ |
| TTA | TTAT.3G-25.141(R11-11.4.0) | 11.4.0 | published | Aug 14 | http://www.tta.or.kr/data/ttasDown.jsp?where=14688&pk_num=TTAT.3G-22.233(R11-11.0.0) |

5.1.2.4.6 TS 25.113

Base station (BS) and repeater electromagnetic compatibility (EMC)

This specification describes the assessment of base stations and associated ancillary equipment in respect of EMC. This specification does not include the

antenna port immunity and emissions.

| SDO (2) | Document No. | Version | Status | Issued date | Location (1) |
|-------------------|---------------------------|---------|-----------|-------------|---|
| Release 99 | | | | | |
| ARIB | ARIB STD-T63-25.113 | 3.5.0 | Approved | Jul 13 | http://www.arib.or.jp/english/html/overview/doc/STD-T63v10_00/2_T63/ARIB-STD-T63/R99/25/A25113-350.pdf |
| ATIS | T1.3GPP.25.113V350-2002 | 3.5.0 | Approved | May 02 | https://www.atis.org/docstore/default.aspx |
| CCSA | CCSA-TSD-DS-25.113 | 3.5.0 | Published | May 01 | http://www.ccsa.org.cn/english/tc/files.php?docpath=/ITU-R/M.1457/M.1457-12/DS |
| ETSI | ETSI TS 125 113 | 3.5.0 | Published | May 01 | http://www.etsi.org/deliver/etsi_ts/125100_125199/125113/03.05.00_60/ |
| TTA | TTAE.3G-25.113(R99-3.5.0) | 3.5.0 | Approved | May 02 | http://www.tta.or.kr/data/ttasDown.jsp?where=14688&pk_num=TTAE.3G-25.113(R99-3.5.0) |
| Release 4 | | | | | |
| ARIB | ARIB STD-T63-25.113 | 4.4.0 | Approved | Jul 13 | http://www.arib.or.jp/english/html/overview/doc/STD-T63v10_00/2_T63/ARIB-STD-T63/Rel4/25/A25113-440.pdf |
| ATIS | T1.3GPP.25.113V440-2003 | 4.4.0 | Approved | Mar 03 | https://www.atis.org/docstore/default.aspx |
| CCSA | CCSA-TSD-DS-25.113 | 4.4.0 | Published | Jan 03 | http://www.ccsa.org.cn/english/tc/files.php?docpath=/ITU-R/M.1457/M.1457-12/DS |
| ETSI | ETSI TS 125 113 | 4.4.0 | Published | Jan 03 | http://www.etsi.org/deliver/etsi_ts/125100_125199/125113/04.04.00_60/ |
| TTA | TTAT.3G-25.113(R4-4.4.0) | 4.4.0 | Approved | Mar 03 | http://www.tta.or.kr/data/ttasDown.jsp?where=14688&pk_num=TTAT.3G-25.113(R4-4.4.0) |
| Release 5 | | | | | |
| ARIB | ARIB STD-T63-25.113 | 5.5.0 | Approved | Jul 13 | http://www.arib.or.jp/english/html/overview/doc/STD-T63v10_00/2_T63/ARIB-STD-T63/Rel5/25/A25113-550.pdf |
| ATIS | T1.3GPP.25.113V550-2004 | 5.5.0 | Approved | May 04 | https://www.atis.org/docstore/default.aspx |
| CCSA | CCSA-TSD-DS-25.113 | 5.5.0 | Published | Jan 04 | http://www.ccsa.org.cn/english/tc/files.php?docpath=/ITU-R/M.1457/M.1457-12/DS |
| ETSI | ETSI TS 125 113 | 5.5.0 | Published | Jan 04 | http://www.etsi.org/deliver/etsi_ts/125100_125199/125113/05.05.00_60/ |
| TTA | TTAT.3G-25.113(R5-5.5.0) | 5.5.0 | Approved | May 04 | http://www.tta.or.kr/data/ttasDown.jsp?where=14688&pk_num=TTAT.3G-25.113(R5-5.5.0) |
| Release 6 | | | | | |
| ARIB | ARIB STD-T63-25.113 | 6.24.0 | Approved | Jul 13 | http://www.arib.or.jp/english/html/overview/doc/STD-T63v10_00/2_T63/ARIB-STD-T63/Rel6/25/A25113-640.pdf |
| ATIS | ATIS.3GPP.25.113V640-2007 | 6.4.0 | Approved | Oct 07 | https://www.atis.org/docstore/default.aspx |
| CCSA | CCSA-TSD-DS-25.113 | 6.4.0 | Published | Jun 06 | http://www.ccsa.org.cn/english/tc/files.php?docpath=/ITU-R/M.1457/M.1457-12/DS |
| ETSI | ETSI TS 125 113 | 6.4.0 | Published | Jun 06 | http://www.etsi.org/deliver/etsi_ts/125100_125199/125113/06.04.00_60/ |
| TTA | TTAT.3G-25.113(R6-6.4.0) | 6.4.0 | Approved | Dec 07 | http://www.tta.or.kr/data/ttasDown.jsp?where=14688&pk_num=TTAT.3G-25.113(R6-6.4.0) |
| Release 7 | | | | | |
| ARIB | ARIB STD-T63-25.113 | 7.6.0 | Approved | Jul 13 | http://www.arib.or.jp/english/html/overview/doc/STD-T63v10_00/2_T63/ARIB-STD-T63/Rel7/25/A25113-760.pdf |
| ATIS | ATIS.3GPP.25.113V760-2007 | 7.6.0 | Approved | Oct 07 | https://www.atis.org/docstore/default.aspx |
| CCSA | CCSA-TSD-DS-25.113 | 7.6.0 | Published | Mar 07 | http://www.ccsa.org.cn/english/tc/files.php?docpath=/ITU-R/M.1457/M.1457-12/DS |
| ETSI | ETSI TS 125 113 | 7.6.0 | Published | Mar 07 | http://www.etsi.org/deliver/etsi_ts/125100_125199/125113/07.06.00_60/ |
| TTA | TTAT.3G-25.113(R7-7.6.0) | 7.6.0 | Approved | Dec 07 | http://www.tta.or.kr/data/ttasDown.jsp?where=14688&pk_num=TTAT.3G-25.113(R7-7.6.0) |
| Release 8 | | | | | |
| ARIB | ARIB STD-T63-25.113 | 8.6.0 | Approved | Jul 13 | http://www.arib.or.jp/english/html/overview/doc/STD-T63v10_00/2_T63/ARIB-STD-T63/Rel8/25/A25113-860.pdf |
| ATIS | ATIS.3GPP.25.113V860-2012 | 8.6.0 | Approved | Jul 12 | https://www.atis.org/docstore/default.aspx |
| CCSA | CCSA-TSD-DS-25.113 | 8.6.0 | Published | Jun 12 | http://www.ccsa.org.cn/english/tc/files.php?docpath=/ITU-R/M.1457/M.1457-12/DS |
| ETSI | ETSI TS 125 113 | 8.6.0 | Published | Jan 11 | http://www.etsi.org/deliver/etsi_ts/125100_125199/125113/08.06.00_60/ |
| TTA | TTAT.3G-25.113(R8-8.4.0) | 8.4.0 | Approved | Jul 09 | http://www.tta.or.kr/data/ttasDown.jsp?where=14688&pk_num=TTAT.3G-25.113(R8-8.4.0) |
| Release 9 | | | | | |
| ARIB | ARIB STD-T63-25.113 | 9.5.0 | Approved | Jul 13 | http://www.arib.or.jp/english/html/overview/doc/STD-T63v10_00/2_T63/ARIB-STD-T63/Rel9/25/A25113-950.pdf |
| ATIS | ATIS.3GPP.25.113V950-2012 | 9.5.0 | Approved | Jul 12 | https://www.atis.org/docstore/default.aspx |
| CCSA | CCSA-TSD-DS-25.113 | 9.5.0 | Published | Jun 12 | http://www.ccsa.org.cn/english/tc/files.php?docpath=/ITU-R/M.1457/M.1457-12/DS |
| ETSI | ETSI TS 125 113 | 9.5.0 | Published | May 11 | http://www.etsi.org/deliver/etsi_ts/125100_125199/125113/09.05.00_60/ |

| | | | | | |
|-------------------|----------------------------|--------|-----------|--------|---|
| TTA | TTAT.3G-25.113(R9-9.2.0) | 9.2.0 | Approved | Jul 10 | http://www.tta.or.kr/data/ttasDown.jsp?where=14688&pk_num=TTAT.3G-25.113(R9-9.2.0) |
| Release 10 | | | | | |
| ARIB | ARIB STD-T63-25.113 | 10.2.0 | Approved | Jul 13 | http://www.arib.or.jp/english/html/overview/doc/STD-T63v10_10/2_T63/ARIB-STD-T63/Rel10/25/A25113-a20.pdf |
| ATIS | ATIS.3GPP.25.113V1020-2012 | 10.2.0 | Approved | Jul 12 | https://www.atis.org/docstore/default.aspx |
| CCSA | CCSA-TSD-DS-25.113 | 10.2.0 | Published | Jun 12 | http://www.ccsa.org.cn/english/tc/files.php?docpath=/ITU-R/M.1457/M.1457-12/DS |
| ETSI | ETSI TS 125 113 | 10.2.0 | Published | Oct 11 | http://www.etsi.org/deliver/etsi_ts/125100_125199/125113/10.02.00_60/ |
| TTA | TTAT.3G-25.113(R10-10.2.0) | 10.2.0 | Approved | Aug 12 | http://www.tta.or.kr/data/ttasDown.jsp?where=14688&pk_num=TTAT.3G-25.113(R10-10.2.0) |
| Release 11 | | | | | |
| ARIB | ARIB STD-T63-25.113 | 11.0.0 | Approved | Jul 13 | http://www.arib.or.jp/english/html/overview/doc/STD-T63v10_00/2_T63/ARIB-STD-T63/Rel11/25/A25113-b00.pdf |
| ATIS | ATIS.3GPP.25.113V1100-2014 | 11.0.0 | Approved | May 14 | https://www.atis.org/docstore/default.aspx |
| CCSA | CCSA-TSD-DS-25.113 | 11.0.0 | Published | Jun 14 | http://www.ccsa.org.cn/english/tc/files.php?docpath=/ITU-R/M.1457/M.1457-12/DS |
| ETSI | ETSI TS 125 113 | 11.0.0 | Published | Nov 12 | http://www.etsi.org/deliver/etsi_ts/125100_125199/125113/11.00.00_60/ |
| TTA | TTAT.3G-25.113(R11-11.0.0) | 11.0.0 | published | Aug 14 | http://www.tta.or.kr/data/ttasDown.jsp?where=14688&pk_num=TTAT.3G-22.234(R11-11.0.0) |

5.1.2.4.7 TS 25.143

UTRA repeater conformance testing

This document specifies the Radio Frequency (RF) test methods and Minimum Requirements for UTRA Repeaters. These have been derived from, and are consistent with the UTRA Repeater specifications defined in TS 25.106.

| SDO (2) | Document No. | Version | Status | Issued date | Location (1) |
|------------------|----------------------------|---------|-----------|-------------|---|
| Release 4 | | | | | |
| ATIS | ATIS.3GPP.25.143V4120-2007 | 4.12.0 | Approved | Oct 07 | https://www.atis.org/docstore/default.aspx |
| CCSA | CCSA-TSD-DS-25.143 | 4.12.0 | Published | Jun 07 | http://www.ccsa.org.cn/english/tc/files.php?docpath=/ITU-R/M.1457/M.1457-12/DS |
| ETSI | ETSI TS 125 143 | 4.12.0 | Published | Jun 07 | http://www.etsi.org/deliver/etsi_ts/125100_125199/125143/04.12.00_60/ |
| TTA | TTAT.3G-25.143(R4-4.12.0) | 4.12.0 | Approved | Dec 07 | http://www.tta.or.kr/data/ttasDown.jsp?where=14688&pk_num=TTAT.3G-25.143(R4-4.12.0) |
| Release 5 | | | | | |
| ATIS | ATIS.3GPP.25.143V5130-2007 | 5.13.0 | Approved | Oct 07 | https://www.atis.org/docstore/default.aspx |
| CCSA | CCSA-TSD-DS-25.143 | 5.13.0 | Published | Jun 07 | http://www.ccsa.org.cn/english/tc/files.php?docpath=/ITU-R/M.1457/M.1457-12/DS |
| ETSI | ETSI TS 125 143 | 5.13.0 | Published | Jun 07 | http://www.etsi.org/deliver/etsi_ts/125100_125199/125143/05.13.00_60/ |
| TTA | TTAT.3G-25.143(R5-5.13.0) | 5.13.0 | Approved | Dec 07 | http://www.tta.or.kr/data/ttasDown.jsp?where=14688&pk_num=TTAT.3G-25.143(R5-5.13.0) |
| Release 6 | | | | | |
| ATIS | ATIS.3GPP.25.143V670-2007 | 6.7.0 | Approved | Oct 07 | https://www.atis.org/docstore/default.aspx |
| CCSA | CCSA-TSD-DS-25.143 | 6.7.0 | Published | Jun 07 | http://www.ccsa.org.cn/english/tc/files.php?docpath=/ITU-R/M.1457/M.1457-12/DS |
| ETSI | ETSI TS 125 143 | 6.7.0 | Published | Jun 07 | http://www.etsi.org/deliver/etsi_ts/125100_125199/125143/06.07.00_60/ |
| TTA | TTAT.3G-25.143(R6-6.7.0) | 6.7.0 | Approved | Dec 07 | http://www.tta.or.kr/data/ttasDown.jsp?where=14688&pk_num=TTAT.3G-25.143(R6-6.7.0) |
| Release 7 | | | | | |
| ATIS | ATIS.3GPP.25.143V740-2012 | 7.4.0 | Approved | Jul 12 | https://www.atis.org/docstore/default.aspx |
| CCSA | CCSA-TSD-DS-25.143 | 7.4.0 | Published | Jun 12 | http://www.ccsa.org.cn/english/tc/files.php?docpath=/ITU-R/M.1457/M.1457-12/DS |
| ETSI | ETSI TS 125 143 | 7.4.0 | Published | Oct 10 | http://www.etsi.org/deliver/etsi_ts/125100_125199/125143/07.04.00_60/ |
| TTA | TTAT.3G-25.143(R7-7.3.0) | 7.3.0 | Approved | Dec 07 | http://www.tta.or.kr/data/ttasDown.jsp?where=14688&pk_num=TTAT.3G-25.143(R7-7.3.0) |
| Release 8 | | | | | |
| ATIS | ATIS.3GPP.25.143V870-2014 | 8.7.0 | Approved | May 14 | https://www.atis.org/docstore/default.aspx |

| | | | | | |
|-------------------|----------------------------|--------|-----------|--------|---|
| CCSA | CCSA-TSD-DS-25.143 | 8.6.0 | Published | Jun 12 | http://www.ccsa.org.cn/english/tc/files.php?docpath=/ITU-R/M.1457/M.1457-12/DS |
| ETSI | ETSI TS 125 143 | 8.7.0 | Published | Jul 12 | http://www.etsi.org/deliver/etsi_ts/125100_125199/125143/08.07.00_60/ |
| TTA | TTAT.3G-25.143(R8-8.1.0) | 8.1.0 | Approved | Jul 09 | http://www.tta.or.kr/data/ttasDown.jsp?where=14688&pk_num=TTAT.3G-25.143(R8-8.1.0) |
| Release 9 | | | | | |
| ATIS | ATIS.3GPP.25.143V930-2014 | 9.3.0 | Approved | May 14 | https://www.atis.org/docstore/default.aspx |
| CCSA | CCSA-TSD-DS-25.143 | 9.2.0 | Published | Jun 12 | http://www.ccsa.org.cn/english/tc/files.php?docpath=/ITU-R/M.1457/M.1457-12/DS |
| ETSI | ETSI TS 125 143 | 9.3.0 | Published | Jul 12 | http://www.etsi.org/deliver/etsi_ts/125100_125199/125143/09.03.00_60/ |
| TTA | TTAT.3G-25.143(R9-9.0.0) | 9.0.0 | Approved | Jul 10 | http://www.tta.or.kr/data/ttasDown.jsp?where=14688&pk_num=TTAT.3G-25.143(R9-9.0.0) |
| Release 10 | | | | | |
| TIS | ATIS.3GPP.25.143V1040-2014 | 10.4.0 | Approved | May 14 | https://www.atis.org/docstore/default.aspx |
| CCSA | CCSA-TSD-DS-25.143 | 10.0.0 | Published | Jun 12 | http://www.ccsa.org.cn/english/tc/files.php?docpath=/ITU-R/M.1457/M.1457-12/DS |
| ETSI | ETSI TS 125 143 | 10.4.0 | Published | Feb 13 | http://www.etsi.org/deliver/etsi_ts/125100_125199/125143/10.04.00_60/ |
| TTA | TTAT.3G-25.143(R10-10.1.0) | 10.1.0 | Approved | Aug 12 | http://www.tta.or.kr/data/ttasDown.jsp?where=14688&pk_num=TTAT.3G-25.143(R10-10.1.0) |
| Release 11 | | | | | |
| ATIS | ATIS.3GPP.25.143V1110-2014 | 11.1.0 | Approved | May 14 | https://www.atis.org/docstore/default.aspx |
| CCSA | CCSA-TSD-DS-25.143 | 11.1.0 | Published | Jun 14 | http://www.ccsa.org.cn/english/tc/files.php?docpath=/ITU-R/M.1457/M.1457-12/DS |
| ETSI | ETSI TS 125 143 | 11.1.0 | Published | Feb 13 | http://www.etsi.org/deliver/etsi_ts/125100_125199/125143/11.01.00_60/ |
| TTA | TTAT.3G-25.143(R11-11.1.0) | 11.1.0 | published | Aug 14 | http://www.tta.or.kr/data/ttasDown.jsp?where=14688&pk_num=TTAT.3G-22.240(R11-11.0.0) |

5.1.2.4.8 TS 25.171

Requirements for support of Assisted Global Positioning System (A-GPS); Frequency Division Duplex (FDD)

This document establishes the minimum performance requirements for A-GPS for FDD mode of UTRA for the User Equipment (UE).

| SDO (2) | Document No. | Version | Status | Issued date | Location (1) |
|------------------|---------------------------|---------|-----------|-------------|---|
| Release 6 | | | | | |
| ARIB | ARIB STD-T63-25.171 | 6.3.0 | Approved | Jul 13 | http://www.arib.or.jp/english/html/overview/doc/STD-T63v10_00/2_T63/ARIB-STD-T63/Rel6/25/A25171-630.pdf |
| ATIS | ATIS.3GPP.25.171V630-2007 | 6.3.0 | Approved | Oct 07 | https://www.atis.org/docstore/default.aspx |
| CCSA | CCSA-TSD-DS-25.171 | 6.3.0 | Published | Jul 06 | http://www.ccsa.org.cn/english/tc/files.php?docpath=/ITU-R/M.1457/M.1457-12/DS |
| ETSI | ETSI TS 125 171 | 6.3.0 | Published | Jul 06 | http://www.etsi.org/deliver/etsi_ts/125100_125199/125171/06.03.00_60/ |
| TTA | TTAT.3G-25.171(R6F-6.3.0) | 6.3.0 | Approved | Dec 07 | http://www.tta.or.kr/data/ttasDown.jsp?where=14688&pk_num=TTAT.3G-25.171(R6F-6.3.0) |
| Release 7 | | | | | |
| ARIB | ARIB STD-T63-25.171 | 7.1.0 | Approved | Jul 13 | http://www.arib.or.jp/english/html/overview/doc/STD-T63v10_00/2_T63/ARIB-STD-T63/Rel7/25/A25171-710.pdf |
| ATIS | ATIS.3GPP.25.171V710-2007 | 7.1.0 | Approved | Oct 07 | https://www.atis.org/docstore/default.aspx |
| CCSA | CCSA-TSD-DS-25.171 | 7.1.0 | Published | Jul 06 | http://www.ccsa.org.cn/english/tc/files.php?docpath=/ITU-R/M.1457/M.1457-12/DS |
| ETSI | ETSI TS 125 171 | 7.1.0 | Published | Jul 06 | http://www.etsi.org/deliver/etsi_ts/125100_125199/125171/07.01.00_60/ |
| TTA | TTAT.3G-25.171(R7F-7.1.0) | 7.1.0 | Approved | Dec 07 | http://www.tta.or.kr/data/ttasDown.jsp?where=14688&pk_num=TTAT.3G-25.171(R7F-7.1.0) |
| Release 8 | | | | | |
| ARIB | ARIB STD-T63-25.171 | 8.0.0 | Approved | Jul 13 | http://www.arib.or.jp/english/html/overview/doc/STD-T63v10_00/2_T63/ARIB-STD-T63/Rel8/25/A25171-800.pdf |
| ATIS | ATIS.3GPP.25.171V800-2009 | 8.0.0 | Approved | Jul 09 | https://www.atis.org/docstore/default.aspx |
| CCSA | CCSA-TSD-DS-25.171 | 8.0.0 | Published | Jan 09 | http://www.ccsa.org.cn/english/tc/files.php?docpath=/ITU-R/M.1457/M.1457-12/DS |
| ETSI | ETSI TS 125 171 | 8.0.0 | Published | Jan 09 | http://www.etsi.org/deliver/etsi_ts/125100_125199/125171/08.00.00_60/ |
| TTA | TTAT.3G-25.171(R8F-8.0.0) | 8.0.0 | Approved | Jul 09 | http://www.tta.or.kr/data/ttasDown.jsp?where=14688&pk_num=TTAT.3G-25.171(R8F-8.0.0) |

Release 9

| | | | | | |
|------|---------------------------|-------|-----------|--------|---|
| ARIB | ARIB STD-T63-25.171 | 9.0.0 | Approved | Jul 13 | http://www.arib.or.jp/english/html/overview/doc/STD-T63v10_00/2_T63/ARIB-STD-T63/Rel9/25/A25171-900.pdf |
| ATIS | ATIS.3GPP.25.171V900-2010 | 9.0.0 | Approved | Jul 10 | https://www.atis.org/docstore/default.aspx |
| CCSA | CCSA-TSD-DS-25.171 | 9.0.0 | Published | Mar 10 | http://www.ccsa.org.cn/english/tc/files.php?docpath=/ITU-R/M.1457/M.1457-12/DS |
| ETSI | ETSI TS 125 171 | 9.0.0 | Published | Feb 10 | http://www.etsi.org/deliver/etsi_ts/125100_125199/125171/09.00.00_60/ |
| TTA | TTAT.3G-25.171(R9-9.0.0) | 9.0.0 | Approved | Jul 10 | http://www.tta.or.kr/data/ttasDown.jsp?where=14688&pk_num=TTAT.3G-25.171(R9-9.0.0) |

Release 10

| | | | | | |
|------|----------------------------|--------|-----------|--------|---|
| ARIB | ARIB STD-T63-25.171 | 10.0.0 | Approved | Jul 13 | http://www.arib.or.jp/english/html/overview/doc/STD-T63v10_00/2_T63/ARIB-STD-T63/Rel10/25/A25171-a00.pdf |
| ATIS | ATIS.3GPP.25.171V1000-2012 | 10.0.0 | Approved | Jul 12 | https://www.atis.org/docstore/default.aspx |
| CCSA | CCSA-TSD-DS-25.171 | 10.0.0 | Published | Jun 12 | http://www.ccsa.org.cn/english/tc/files.php?docpath=/ITU-R/M.1457/M.1457-12/DS |
| ETSI | ETSI TS 125 171 | 10.0.0 | Published | May 11 | http://www.etsi.org/deliver/etsi_ts/125100_125199/125171/10.00.00_60/ |
| TTA | TTAT.3G-25.171(R10-10.0.0) | 10.0.0 | Approved | Aug 12 | http://www.tta.or.kr/data/ttasDown.jsp?where=14688&pk_num=TTAT.3G-25.171(R10-10.0.0) |

Release 11

| | | | | | |
|------|----------------------------|--------|-----------|--------|---|
| ARIB | ARIB STD-T63-25.171 | 11.0.0 | Approved | Jul 13 | http://www.arib.or.jp/english/html/overview/doc/STD-T63v10_00/2_T63/ARIB-STD-T63/Rel11/25/A25171-b00.pdf |
| ATIS | ATIS.3GPP.25.171V1100-2014 | 11.0.0 | Approved | May 14 | https://www.atis.org/docstore/default.aspx |
| CCSA | CCSA-TSD-DS-25.171 | 11.0.0 | Published | Jun 14 | http://www.ccsa.org.cn/english/tc/files.php?docpath=/ITU-R/M.1457/M.1457-12/DS |
| ETSI | ETSI TS 125 171 | 11.0.0 | Published | Oct 12 | http://www.etsi.org/deliver/etsi_ts/125100_125199/125171/11.00.00_60/ |
| TTA | TTAT.3G-25.171(R11-11.0.0) | 11.0.0 | published | Aug 14 | http://www.tta.or.kr/data/ttasDown.jsp?where=14688&pk_num=TTAT.3G-22.242(R11-11.0.0) |

5.1.2.4.9 TS 25.144**User Equipment (UE) and Mobile Station (MS) over the air performance requirements**

This document establishes Over the Air antenna minimum requirements for User Equipment (UE) and Mobile Station (MS).

| SDO (2) | Document No. | Version | Status | Issued date | Location (1) |
|-------------------|----------------------------|---------|-----------|-------------|---|
| Release 7 | | | | | |
| ARIB | ARIB STD-T63-25.144 | 7.0.0 | Approved | Jul 13 | http://www.arib.or.jp/english/html/overview/doc/STD-T63v10_00/2_T63/ARIB-STD-T63/Rel7/25/A25144-700.pdf |
| CCSA | CCSA-TSD-DS-25.144 | 7.0.0 | Published | Jun 07 | http://www.ccsa.org.cn/english/tc/files.php?docpath=/ITU-R/M.1457/M.1457-12/DS |
| ETSI | ETSI TS 125 144 | 7.0.0 | Published | Jun 07 | http://www.etsi.org/deliver/etsi_ts/125100_125199/125144/07.00.00_60/ |
| Release 8 | | | | | |
| ARIB | ARIB STD-T63-25.144 | 8.1.0 | Approved | Jul 13 | http://www.arib.or.jp/english/html/overview/doc/STD-T63v10_00/2_T63/ARIB-STD-T63/Rel8/25/A25144-810.pdf |
| ATIS | ATIS.3GPP.25.144V810-2009 | 8.1.0 | Approved | Jul 09 | https://www.atis.org/docstore/default.aspx |
| CCSA | CCSA-TSD-DS-25.144 | 8.1.0 | Published | Mar 09 | http://www.ccsa.org.cn/english/tc/files.php?docpath=/ITU-R/M.1457/M.1457-12/DS |
| ETSI | ETSI TS 125 144 | 8.1.0 | Published | Mar 09 | http://www.etsi.org/deliver/etsi_ts/125100_125199/125144/08.01.00_60/ |
| TTA | TTAT.3G-25.144(R8-8.1.0) | 8.1.0 | Approved | Jul 09 | http://www.tta.or.kr/data/ttasDown.jsp?where=14688&pk_num=TTAT.3G-25.144(R8-8.1.0) |
| Release 9 | | | | | |
| ARIB | ARIB STD-T63-25.144 | 9.3.0 | Approved | Jul 13 | http://www.arib.or.jp/english/html/overview/doc/STD-T63v10_00/2_T63/ARIB-STD-T63/Rel9/25/A25144-930.pdf |
| ATIS | ATIS.3GPP.25.144V930-2012 | 9.3.0 | Approved | Jul 12 | https://www.atis.org/docstore/default.aspx |
| CCSA | CCSA-TSD-DS-25.144 | 9.3.0 | Published | Jun 12 | http://www.ccsa.org.cn/english/tc/files.php?docpath=/ITU-R/M.1457/M.1457-12/DS |
| ETSI | ETSI TS 125 144 | 9.3.0 | Published | Jan 11 | http://www.etsi.org/deliver/etsi_ts/125100_125199/125144/09.03.00_60/ |
| TTA | TTAT.3G-25.144(R9-9.2.0) | 9.2.0 | Approved | Jul 10 | http://www.tta.or.kr/data/ttasDown.jsp?where=14688&pk_num=TTAT.3G-25.144(R9-9.2.0) |
| Release 10 | | | | | |
| ARIB | ARIB STD-T63-25.144 | 10.2.0 | Approved | Jul 13 | http://www.arib.or.jp/english/html/overview/doc/STD-T63v10_00/2_T63/ARIB-STD-T63/Rel10/25/A25144-a20.pdf |
| ATIS | ATIS.3GPP.25.144V1020-2014 | 10.2.0 | Approved | May 14 | https://www.atis.org/docstore/default.aspx |

| | | | | | |
|-------------------|----------------------------|--------|-----------|--------|---|
| CCSA | CCSA-TSD-DS-25.144 | 10.0.0 | Published | Jun 12 | http://www.ccsa.org.cn/english/tc/files.php?docpath=/ITU-R/M.1457/M.1457-12/DS |
| ETSI | ETSI TS 125 144 | 10.2.0 | Published | Jul 12 | http://www.etsi.org/deliver/etsi_ts/125100_125199/125144/10.02.00_60/ |
| TTA | TTAT.3G-25.144(R10-10.1.0) | 10.1.0 | Approved | Aug 12 | http://www.tta.or.kr/data/ttasDown.jsp?where=14688&pk_num=TTAT.3G-25.144(R10-10.1.0) |
| Release 11 | | | | | |
| ARIB | ARIB STD-T63-25.144 | 11.2.0 | Approved | Jul 13 | http://www.arib.or.jp/english/html/overview/doc/STD-T63v10_00/2_T63/ARIB-STD-T63/Rel11/25/A25144-b20.pdf |
| ATIS | ATIS.3GPP.25.144V1120-2014 | 11.2.0 | Approved | May 14 | https://www.atis.org/docstore/default.aspx |
| CCSA | CCSA-TSD-DS-25.144 | 11.2.0 | Published | Jun 14 | http://www.ccsa.org.cn/english/tc/files.php?docpath=/ITU-R/M.1457/M.1457-12/DS |
| ETSI | ETSI TS 125 144 | 11.2.0 | Published | Nov 12 | http://www.etsi.org/deliver/etsi_ts/125100_125199/125144/11.02.00_60/ |
| TTA | TTAT.3G-25.144(R11-11.2.0) | 11.2.0 | published | Aug 14 | http://www.tta.or.kr/data/ttasDown.jsp?where=14688&pk_num=TTAT.3G-22.243(R11-11.0.0) |

5.1.2.4.10 TS 25.111

Location Measurement Unit (LMU) performance specification; User Equipment (UE) positioning in UTRAN

This document establishes the Location Measurement Unit (LMU) minimum RF characteristics of the FDD mode of UTRA.

| SDO (2) | Document No. | Version | Status | Issued date | Location (1) |
|-------------------|----------------------------|---------|-----------|-------------|---|
| Release 7 | | | | | |
| ARIB | ARIB STD-T63-25.111 | 7.1.0 | Approved | Jul 13 | http://www.arib.or.jp/english/html/overview/doc/STD-T63v10_00/2_T63/ARIB-STD-T63/Rel7/25/A25111-710.pdf |
| CCSA | CCSA-TSD-DS-25.111 | 7.1.0 | Published | Apr 08 | http://www.ccsa.org.cn/english/tc/files.php?docpath=/ITU-R/M.1457/M.1457-12/DS |
| ETSI | ETSI TS 125 111 | 7.1.0 | Published | Apr 08 | http://www.etsi.org/deliver/etsi_ts/125100_125199/125111/07.01.00_60/ |
| Release 8 | | | | | |
| ARIB | ARIB STD-T63-25.111 | 8.0.0 | Approved | Jul 13 | http://www.arib.or.jp/english/html/overview/doc/STD-T63v10_00/2_T63/ARIB-STD-T63/Rel8/25/A25111-800.pdf |
| ATIS | ATIS.3GPP.25.111V800-2009 | 8.0.0 | Approved | Jul 09 | https://www.atis.org/docstore/default.aspx |
| CCSA | CCSA-TSD-DS-25.111 | 8.0.0 | Published | Jan 09 | http://www.ccsa.org.cn/english/tc/files.php?docpath=/ITU-R/M.1457/M.1457-12/DS |
| ETSI | ETSI TS 125 111 | 8.0.0 | Published | Jan 09 | http://www.etsi.org/deliver/etsi_ts/125100_125199/125111/08.00.00_60/ |
| TTA | TTAT.3G-25.111(R8-8.0.0) | 8.0.0 | Approved | Jul 09 | http://www.tta.or.kr/data/ttasDown.jsp?where=14688&pk_num=TTAT.3G-25.111(R8-8.0.0) |
| Release 9 | | | | | |
| ARIB | ARIB STD-T63-25.111 | 9.0.0 | Approved | Jul 13 | http://www.arib.or.jp/english/html/overview/doc/STD-T63v10_00/2_T63/ARIB-STD-T63/Rel9/25/A25111-900.pdf |
| ATIS | ATIS.3GPP.25.111V900-2010 | 9.0.0 | Approved | Jul 10 | https://www.atis.org/docstore/default.aspx |
| CCSA | CCSA-TSD-DS-25.111 | 9.0.0 | Published | Mar 10 | http://www.ccsa.org.cn/english/tc/files.php?docpath=/ITU-R/M.1457/M.1457-12/DS |
| ETSI | ETSI TS 125 111 | 9.0.0 | Published | Feb 10 | http://www.etsi.org/deliver/etsi_ts/125100_125199/125111/09.00.00_60/ |
| TTA | TTAT.3G-25.111(R9-9.0.0) | 9.0.0 | Approved | Jul 10 | http://www.tta.or.kr/data/ttasDown.jsp?where=14688&pk_num=TTAT.3G-25.111(R9-9.0.0) |
| Release 10 | | | | | |
| ARIB | ARIB STD-T63-25.111 | 10.0.0 | Approved | Jul 13 | http://www.arib.or.jp/english/html/overview/doc/STD-T63v10_00/2_T63/ARIB-STD-T63/Rel10/25/A25111-a00.pdf |
| ATIS | ATIS.3GPP.25.111V1000-2012 | 10.0.0 | Approved | Jul 12 | https://www.atis.org/docstore/default.aspx |
| CCSA | CCSA-TSD-DS-25.111 | 10.0.0 | Published | Jun 12 | http://www.ccsa.org.cn/english/tc/files.php?docpath=/ITU-R/M.1457/M.1457-12/DS |
| ETSI | ETSI TS 125 111 | 10.0.0 | Published | May 11 | http://www.etsi.org/deliver/etsi_ts/125100_125199/125111/10.00.00_60/ |
| TTA | TTAT.3G-25.111(R10-10.0.0) | 10.0.0 | Approved | Aug 12 | http://www.tta.or.kr/data/ttasDown.jsp?where=14688&pk_num=TTAT.3G-25.111(R10-10.0.0) |
| Release 11 | | | | | |
| ARIB | ARIB STD-T63-25.111 | 11.0.0 | Approved | Jul 13 | http://www.arib.or.jp/english/html/overview/doc/STD-T63v10_00/2_T63/ARIB-STD-T63/Rel11/25/A25111-b00.pdf |
| ATIS | ATIS.3GPP.25.111V1100-2014 | 11.0.0 | Approved | May 14 | https://www.atis.org/docstore/default.aspx |
| CCSA | CCSA-TSD-DS-25.111 | 11.0.0 | Published | Jun 14 | http://www.ccsa.org.cn/english/tc/files.php?docpath=/ITU-R/M.1457/M.1457-12/DS |

| | | | | | |
|------|----------------------------|--------|-----------|--------|---|
| ETSI | ETSI TS 125 111 | 11.0.0 | Published | Oct 12 | http://www.etsi.org/deliver/etsi_ts/125100_125199/125111/11.00.00_60/ |
| TTA | TTAT.3G-25.111(R11-11.0.0) | 11.0.0 | published | Aug 14 | http://www.tta.or.kr/data/ttasDown.jsp?where=14688&pk_num=TTAT.3G-22.246(R11-11.0.0) |

5.1.2.5 34.100 series

5.1.2.5.1 TS 34.108

Common test environments for User Equipment (UE); Conformance testing

This document contains definitions of reference conditions and test signals, default parameters, reference Radio Bearer configurations, common requirements for test equipment and generic set-up procedures for use in UE conformance tests.

| SDO (2) | Document No. | Version | Status | Issued date | Location (1) |
|-------------------|----------------------------|---------|-----------|-------------|---|
| Release 99 | | | | | |
| ARIB | ARIB STD-T63-34.108 | 3.16.0 | Approved | Jul 13 | http://www.arib.or.jp/english/html/overview/doc/STD-T63v10_00/2_T63/ARIB-STD-T63/R99/34/A34108-3g0.pdf |
| ATIS | ATIS.3GPP.34.108V3160-2005 | 3.16.0 | Approved | Apr 05 | https://www.atis.org/docstore/default.aspx |
| CCSA | CCSA-TSD-DS-34.108 | 3.16.0 | Published | Jul 04 | http://www.ccsa.org.cn/english/tc/files.php?docpath=/ITU-R/M.1457/M.1457-12/DS |
| ETSI | ETSI TS 134 108 | 3.16.0 | Published | Jul 04 | http://www.etsi.org/deliver/etsi_ts/134100_134199/134108/03.16.00_60/ |
| TTA | TTAT.3G-34.108(R99-3.16.0) | 3.16.0 | Approved | May 05 | http://www.tta.or.kr/data/ttasDown.jsp?where=14688&pk_num=TTAT.3G-34.108(R99-3.16.0) |
| Release 4 | | | | | |
| ARIB | ARIB STD-T63-34.108 | 4.11.0 | Approved | Jul 13 | http://www.arib.or.jp/english/html/overview/doc/STD-T63v10_00/2_T63/ARIB-STD-T63/Rel4/34/A34108-4b0.pdf |
| ATIS | ATIS.3GPP.34.108V4110-2005 | 4.11.0 | Approved | Apr 05 | https://www.atis.org/docstore/default.aspx |
| CCSA | CCSA-TSD-DS-34.108 | 4.11.0 | Published | Jul 04 | http://www.ccsa.org.cn/english/tc/files.php?docpath=/ITU-R/M.1457/M.1457-12/DS |
| ETSI | ETSI TS 134 108 | 4.11.0 | Published | Jul 04 | http://www.etsi.org/deliver/etsi_ts/134100_134199/134108/04.11.00_60/ |
| TTA | TTAT.3G-34.108(R4-4.11.0) | 4.11.0 | Approved | May 05 | http://www.tta.or.kr/data/ttasDown.jsp?where=14688&pk_num=TTAT.3G-34.108(R4-4.11.0) |
| Release 5 | | | | | |
| ARIB | ARIB STD-T63-34.108 | 5.6.0 | Approved | Jul 13 | http://www.arib.or.jp/english/html/overview/doc/STD-T63v10_00/2_T63/ARIB-STD-T63/Rel5/34/A34108-560.pdf |
| ATIS | ATIS.3GPP.34.108V560-2006 | 5.6.0 | Approved | Apr 06 | https://www.atis.org/docstore/default.aspx |
| CCSA | CCSA-TSD-DS-34.108 | 5.6.0 | Published | Oct 05 | http://www.ccsa.org.cn/english/tc/files.php?docpath=/ITU-R/M.1457/M.1457-12/DS |
| ETSI | ETSI TS 134 108 | 5.6.0 | Published | Oct 05 | http://www.etsi.org/deliver/etsi_ts/134100_134199/134108/05.06.00_60/ |
| TTA | TTAT.3G-34.108(R5-5.6.0) | 5.6.0 | Approved | Apr 06 | http://www.tta.or.kr/data/ttasDown.jsp?where=14688&pk_num=TTAT.3G-34.108(R5-5.6.0) |
| Release 6 | | | | | |
| ARIB | ARIB STD-T63-34.108 | 6.6.0 | Approved | Jul 13 | http://www.arib.or.jp/english/html/overview/doc/STD-T63v10_00/2_T63/ARIB-STD-T63/Rel6/34/A34108-660.pdf |
| ATIS | ATIS.3GPP.34.108V660-2007 | 6.6.0 | Approved | Oct 07 | https://www.atis.org/docstore/default.aspx |
| CCSA | CCSA-TSD-DS-34.108 | 6.6.0 | Published | Mar 07 | http://www.ccsa.org.cn/english/tc/files.php?docpath=/ITU-R/M.1457/M.1457-12/DS |
| ETSI | ETSI TS 134 108 | 6.6.0 | Published | Mar 07 | http://www.etsi.org/deliver/etsi_ts/134100_134199/134108/06.06.00_60/ |
| TTA | TTAT.3G-34.108(R6-6.6.0) | 6.6.0 | Approved | Dec 07 | http://www.tta.or.kr/data/ttasDown.jsp?where=14688&pk_num=TTAT.3G-34.108(R6-6.6.0) |
| Release 7 | | | | | |
| ARIB | ARIB STD-T63-34.108 | 7.2.0 | Approved | Jul 13 | http://www.arib.or.jp/english/html/overview/doc/STD-T63v10_00/2_T63/ARIB-STD-T63/Rel7/34/A34108-720.pdf |
| ATIS | ATIS.3GPP.34.108V720-2007 | 7.2.0 | Approved | Oct 07 | https://www.atis.org/docstore/default.aspx |
| CCSA | CCSA-TSD-DS-34.108 | 7.2.0 | Published | Oct 07 | http://www.ccsa.org.cn/english/tc/files.php?docpath=/ITU-R/M.1457/M.1457-12/DS |
| ETSI | ETSI TS 134 108 | 7.2.0 | Published | Oct 07 | http://www.etsi.org/deliver/etsi_ts/134100_134199/134108/07.02.00_60/ |
| TTA | TTAT.3G-34.108(R7-7.2.0) | 7.2.0 | Approved | Dec 07 | http://www.tta.or.kr/data/ttasDown.jsp?where=14688&pk_num=TTAT.3G-34.108(R7-7.2.0) |

Release 8

| | | | | | |
|------|----------------------------|--------|-----------|--------|---|
| ARIB | ARIB STD-T63-34.108 | 8.11.0 | Approved | Jul 13 | http://www.arib.or.jp/english/html/overview/doc/STD-T63v10_00/2_T63/ARIB-STD-T63/Rel8/34/A34108-8b0.pdf |
| ATIS | ATIS.3GPP.34.108V8110-2012 | 8.11.0 | Approved | Jul 12 | https://www.atis.org/docstore/default.aspx |
| CCSA | CCSA-TSD-DS-34.108 | 8.11.0 | Published | Jun 12 | http://www.ccsa.org.cn/english/tc/files.php?docpath=/ITU-R/M.1457/M.1457-12/DS |
| ETSI | ETSI TS 134 108 | 8.11.0 | Published | Jun 10 | http://www.etsi.org/deliver/etsi_ts/134100_134199/134108/08.11.00_60/ |
| TTA | TTAT.3G-34.108(R8-8.6.0) | 8.6.0 | Approved | Jul 09 | http://www.tta.or.kr/data/ttasDown.jsp?where=14688&pk_num=TTAT.3G-34.108(R8-8.6.0) |

Release 9

| | | | | | |
|------|---------------------------|-------|-----------|--------|---|
| ARIB | ARIB STD-T63-34.108 | 9.8.0 | Approved | Jul 13 | http://www.arib.or.jp/english/html/overview/doc/STD-T63v10_00/2_T63/ARIB-STD-T63/Rel9/34/A34108-980.pdf |
| ATIS | ATIS.3GPP.34.108V980-2014 | 9.8.0 | Approved | May 14 | https://www.atis.org/docstore/default.aspx |
| CCSA | CCSA-TSD-DS-34.108 | 9.7.0 | Published | Jun 12 | http://www.ccsa.org.cn/english/tc/files.php?docpath=/ITU-R/M.1457/M.1457-12/DS |
| ETSI | ETSI TS 134 108 | 9.8.0 | Published | Mar 12 | http://www.etsi.org/deliver/etsi_ts/134100_134199/134108/09.08.00_60/ |
| TTA | TTAT.3G-34.108(R9-9.0.0) | 9.0.0 | Approved | Jul 10 | http://www.tta.or.kr/data/ttasDown.jsp?where=14688&pk_num=TTAT.3G-34.108(R9-9.0.0) |

Release 10

| | | | | | |
|------|----------------------------|--------|-----------|--------|---|
| ARIB | ARIB STD-T63-34.108 | 10.1.0 | Approved | Jul 13 | http://www.arib.or.jp/english/html/overview/doc/STD-T63v10_00/2_T63/ARIB-STD-T63/Rel10/34/A34108-a10.pdf |
| ATIS | ATIS.3GPP.34.108V1010-2014 | 10.1.0 | Approved | May 14 | https://www.atis.org/docstore/default.aspx |
| CCSA | CCSA-TSD-DS-34.108 | 10.0.0 | Published | Jun 12 | http://www.ccsa.org.cn/english/tc/files.php?docpath=/ITU-R/M.1457/M.1457-12/DS |
| ETSI | ETSI TS 134 108 | 10.1.0 | Published | Mar 12 | http://www.etsi.org/deliver/etsi_ts/134100_134199/134108/10.01.00_60/ |
| TTA | TTAT.3G-34.108(R10-10.1.0) | 10.1.0 | Approved | Aug 12 | http://www.tta.or.kr/data/ttasDown.jsp?where=14688&pk_num=TTAT.3G-34.108(R10-10.1.0) |

Release 11

| | | | | | |
|------|----------------------------|--------|-----------|--------|---|
| ARIB | ARIB STD-T63-34.108 | 11.5.0 | Approved | Jul 13 | http://www.arib.or.jp/english/html/overview/doc/STD-T63v10_00/2_T63/ARIB-STD-T63/Rel11/34/A34108-b50.pdf |
| ATIS | ATIS.3GPP.34.108V1150-2014 | 11.5.0 | Approved | May 14 | https://www.atis.org/docstore/default.aspx |
| CCSA | CCSA-TSD-DS-34.108 | 11.9.0 | Published | Jun 14 | http://www.ccsa.org.cn/english/tc/files.php?docpath=/ITU-R/M.1457/M.1457-12/DS |
| ETSI | ETSI TS 134 108 | 11.5.0 | Published | May 13 | http://www.etsi.org/deliver/etsi_ts/134100_134199/134108/11.05.00_60/ |

5.1.2.5.2 TS 34.109**Terminal logical test interface; Special conformance testing functions**

This document specifies for User Equipment (UE), in UMTS system, for FDD and TDD modes, those UE functions that are required for conformance testing purposes.

| SDO (2) | Document No. | Version | Status | Issued date | Location (1) |
|-------------------|----------------------------|---------|-----------|-------------|---|
| TTA | TTAT.3G-34.109(R10-10.2.0) | 10.2.0 | published | Aug 14 | http://www.tta.or.kr/data/ttasDown.jsp?where=14688&pk_num=TTAT.3G-22.250(R11-11.0.0) |
| Release 99 | | | | | |
| ARIB | ARIB STD-T63-34.109 | 3.10.0 | Approved | Jul 13 | http://www.arib.or.jp/english/html/overview/doc/STD-T63v10_00/2_T63/ARIB-STD-T63/R99/34/A34109-3a0.pdf |
| ATIS | ATIS.3GPP.34.109V3100-2005 | 3.10.0 | Approved | Apr 05 | https://www.atis.org/docstore/default.aspx |
| CCSA | CCSA-TSD-DS-34.109 | 3.10.0 | Published | Oct 04 | http://www.ccsa.org.cn/english/tc/files.php?docpath=/ITU-R/M.1457/M.1457-12/DS |
| ETSI | ETSI TS 134 109 | 3.10.0 | Published | Oct 04 | http://www.etsi.org/deliver/etsi_ts/134100_134199/134109/03.10.00_60/ |
| TTA | TTAT.3G-34.109(R99-3.10.0) | 3.10.0 | Approved | May 05 | http://www.tta.or.kr/data/ttasDown.jsp?where=14688&pk_num=TTAT.3G-34.109(R99-3.10.0) |
| Release 4 | | | | | |
| ARIB | ARIB STD-T63-34.109 | 4.6.0 | Approved | Jul 13 | http://www.arib.or.jp/english/html/overview/doc/STD-T63v10_00/2_T63/ARIB-STD-T63/Rel4/34/A34109-460.pdf |
| ATIS | ATIS.3GPP.34.109V460-2005 | 4.6.0 | Approved | Apr 05 | https://www.atis.org/docstore/default.aspx |
| CCSA | CCSA-TSD-DS-34.109 | 4.6.0 | Published | Oct 04 | http://www.ccsa.org.cn/english/tc/files.php?docpath=/ITU-R/M.1457/M.1457-12/DS |
| ETSI | ETSI TS 134 109 | 4.6.0 | Published | Oct 04 | http://www.etsi.org/deliver/etsi_ts/134100_134199/134109/04.06.00_60/ |

| | | | | | |
|-------------------|----------------------------|--------|-----------|--------|---|
| TTA | TTAT.3G-34.109(R4-4.6.0) | 4.6.0 | Approved | May 05 | http://www.tta.or.kr/data/ttasDown.jsp?where=14688&pk_num=TTAT.3G-34.109(R4-4.6.0) |
| Release 5 | | | | | |
| ARIB | ARIB STD-T63-34.109 | 5.5.0 | Approved | Jul 13 | http://www.arib.or.jp/english/html/overview/doc/STD-T63v10_00/2_T63/ARIB-STD-T63/Rel5/34/A34109-550.pdf |
| ATIS | ATIS.3GPP.34.109V550-2006 | 5.5.0 | Approved | Apr 06 | https://www.atis.org/docstore/default.aspx |
| CCSA | CCSA-TSD-DS-34.109 | 5.5.0 | Published | Jul 05 | http://www.ccsa.org.cn/english/tc/files.php?docpath=/ITU-R/M.1457/M.1457-12/DS |
| ETSI | ETSI TS 134 109 | 5.5.0 | Published | Jul 05 | http://www.etsi.org/deliver/etsi_ts/134100_134199/134109/05.05.00_60/ |
| TTA | TTAT.3G-34.109(R5-5.5.0) | 5.5.0 | Approved | Apr 06 | http://www.tta.or.kr/data/ttasDown.jsp?where=14688&pk_num=TTAT.3G-34.109(R5-5.5.0) |
| Release 6 | | | | | |
| ARIB | ARIB STD-T63-34.109 | 6.4.0 | Approved | Jul 13 | http://www.arib.or.jp/english/html/overview/doc/STD-T63v10_00/2_T63/ARIB-STD-T63/Rel6/34/A34109-640.pdf |
| ATIS | ATIS.3GPP.34.109V640-2007 | 6.4.0 | Approved | Oct 07 | https://www.atis.org/docstore/default.aspx |
| CCSA | CCSA-TSD-DS-34.109 | 6.4.0 | Published | Apr 07 | http://www.ccsa.org.cn/english/tc/files.php?docpath=/ITU-R/M.1457/M.1457-12/DS |
| ETSI | ETSI TS 134 109 | 6.4.0 | Published | Apr 07 | http://www.etsi.org/deliver/etsi_ts/134100_134199/134109/06.04.00_60/ |
| TTA | TTAT.3G-34.109(R6-6.4.0) | 6.4.0 | Approved | Dec 07 | http://www.tta.or.kr/data/ttasDown.jsp?where=14688&pk_num=TTAT.3G-34.109(R6-6.4.0) |
| Release 7 | | | | | |
| ARIB | ARIB STD-T63-34.109 | 7.4.0 | Approved | Jul 13 | http://www.arib.or.jp/english/html/overview/doc/STD-T63v10_00/2_T63/ARIB-STD-T63/Rel7/34/A34109-740.pdf |
| ATIS | ATIS.3GPP.34.109V740-2012 | 7.4.0 | Approved | Jul 12 | https://www.atis.org/docstore/default.aspx |
| CCSA | CCSA-TSD-DS-34.109 | 7.4.0 | Published | Jun 12 | http://www.ccsa.org.cn/english/tc/files.php?docpath=/ITU-R/M.1457/M.1457-12/DS |
| ETSI | ETSI TS 134 109 | 7.4.0 | Published | Apr 11 | http://www.etsi.org/deliver/etsi_ts/134100_134199/134109/07.04.00_60/ |
| TTA | TTAT.3G-34.109(R7-7.3.0) | 7.3.0 | Approved | Jul 09 | http://www.tta.or.kr/data/ttasDown.jsp?where=14688&pk_num=TTAT.3G-34.109(R7-7.3.0) |
| Release 8 | | | | | |
| ARIB | ARIB STD-T63-34.109 | 8.2.0 | Approved | Jul 13 | http://www.arib.or.jp/english/html/overview/doc/STD-T63v10_00/2_T63/ARIB-STD-T63/Rel8/34/A34109-820.pdf |
| ATIS | ATIS.3GPP.34.109V820-2012 | 8.2.0 | Approved | Jul 12 | https://www.atis.org/docstore/default.aspx |
| CCSA | CCSA-TSD-DS-34.109 | 8.2.0 | Published | Jun 12 | http://www.ccsa.org.cn/english/tc/files.php?docpath=/ITU-R/M.1457/M.1457-12/DS |
| ETSI | ETSI TS 134 109 | 8.2.0 | Published | Jul 11 | http://www.etsi.org/deliver/etsi_ts/134100_134199/134109/08.02.00_60/ |
| TTA | TTAT.3G-34.109(R8-8.0.0) | 8.0.0 | Approved | Jul 09 | http://www.tta.or.kr/data/ttasDown.jsp?where=14688&pk_num=TTAT.3G-34.109(R8-8.0.0) |
| Release 9 | | | | | |
| ARIB | ARIB STD-T63-34.109 | 9.2.0 | Approved | Jul 13 | http://www.arib.or.jp/english/html/overview/doc/STD-T63v10_00/2_T63/ARIB-STD-T63/Rel9/34/A34109-920.pdf |
| ATIS | ATIS.3GPP.34.109V920-2012 | 9.2.0 | Approved | Jul 12 | https://www.atis.org/docstore/default.aspx |
| CCSA | CCSA-TSD-DS-34.109 | 9.2.0 | Published | Jun 12 | http://www.ccsa.org.cn/english/tc/files.php?docpath=/ITU-R/M.1457/M.1457-12/DS |
| ETSI | ETSI TS 134 109 | 9.2.0 | Published | Mar 11 | http://www.etsi.org/deliver/etsi_ts/134100_134199/134109/09.02.00_60/ |
| TTA | TTAT.3G-34.109(R9-9.0.0) | 9.0.0 | Approved | Jul 10 | http://www.tta.or.kr/data/ttasDown.jsp?where=14688&pk_num=TTAT.3G-34.109(R9-9.0.0) |
| Release 10 | | | | | |
| ARIB | ARIB STD-T63-34.109 | 10.2.0 | Approved | Jul 13 | http://www.arib.or.jp/english/html/overview/doc/STD-T63v10_00/2_T63/ARIB-STD-T63/Rel10/34/A34109-a20.pdf |
| ATIS | ATIS.3GPP.34.109V1020-2014 | 10.2.0 | Approved | May 14 | https://www.atis.org/docstore/default.aspx |
| CCSA | CCSA-TSD-DS-34.109 | 10.1.0 | Published | Jun 12 | http://www.ccsa.org.cn/english/tc/files.php?docpath=/ITU-R/M.1457/M.1457-12/DS |
| ETSI | ETSI TS 134 109 | 10.2.0 | Published | Apr 13 | http://www.etsi.org/deliver/etsi_ts/134100_134199/134109/10.02.00_60/ |
| TTA | TTAT.3G-34.109(R10-10.1.0) | 10.1.0 | Approved | Aug 12 | http://www.tta.or.kr/data/ttasDown.jsp?where=14688&pk_num=TTAT.3G-34.109(R10-10.1.0) |
| Release 11 | | | | | |
| ARIB | ARIB STD-T63-34.109 | 11.1.0 | Approved | Jul 13 | http://www.arib.or.jp/english/html/overview/doc/STD-T63v10_00/2_T63/ARIB-STD-T63/Rel11/34/A34109-b10.pdf |
| ATIS | ATIS.3GPP.34.109V1110-2014 | 11.1.0 | Approved | May 14 | https://www.atis.org/docstore/default.aspx |
| CCSA | CCSA-TSD-DS-34.109 | 11.2.0 | Published | Jun 14 | http://www.ccsa.org.cn/english/tc/files.php?docpath=/ITU-R/M.1457/M.1457-12/DS |
| ETSI | ETSI TS 134 109 | 11.1.0 | Published | Apr 13 | http://www.etsi.org/deliver/etsi_ts/134100_134199/134109/11.01.00_60/ |

5.1.2.5.3 TS 34.114

User Equipment (UE) / Mobile Station (MS) Over The Air (OTA) antenna performance; Conformance testing

This document describes the test procedure for the radiated performances measurements of the 3G/2G user equipment/mobile stations (UE/MS) in active mode in both the uplink and the downlink.

| SDO (2) | Document No. | Version | Status | Issued date | Location (1) |
|-------------------|----------------------------|---------|-----------|-------------|---|
| Release 7 | | | | | |
| ARIB | ARIB STD-T63-34.114 | 7.0.0 | Approved | Jul 13 | http://www.arib.or.jp/english/html/overview/doc/STD-T63v10_00/2_T63/ARIB-STD-T63/Rel7/34/A34114-700.pdf |
| ETSI | ETSI TS 134 114 | 7.0.0 | Published | Nov 08 | http://www.etsi.org/deliver/etsi_ts/134100_134199/134114/07.00.00_60/ |
| Release 8 | | | | | |
| ARIB | ARIB STD-T63-34.114 | 8.4.0 | Approved | Jul 13 | http://www.arib.or.jp/english/html/overview/doc/STD-T63v10_00/2_T63/ARIB-STD-T63/Rel8/34/A34114-840.pdf |
| ETSI | ETSI TS 134 114 | 8.4.0 | Published | Jun 10 | http://www.etsi.org/deliver/etsi_ts/134100_134199/134114/08.04.00_60/ |
| Release 9 | | | | | |
| ARIB | ARIB STD-T63-34.114 | 9.3.0 | Approved | Jul 13 | http://www.arib.or.jp/english/html/overview/doc/STD-T63v10_00/2_T63/ARIB-STD-T63/Rel9/34/A34114-930.pdf |
| ETSI | ETSI TS 134 114 | 9.3.0 | Published | Jan 12 | http://www.etsi.org/deliver/etsi_ts/134100_134199/134114/09.03.00_60/ |
| Release 10 | | | | | |
| ARIB | ARIB STD-T63-34.114 | 10.3.0 | Approved | Jul 13 | http://www.arib.or.jp/english/html/overview/doc/STD-T63v10_00/2_T63/ARIB-STD-T63/Rel10/34/A34114-a30.pdf |
| ATIS | ATIS.3GPP.34.114V1030-2014 | 10.3.0 | Approved | May 14 | https://www.atis.org/docstore/default.aspx |
| ETSI | ETSI TS 134 114 | 10.3.0 | Published | Jul 12 | http://www.etsi.org/deliver/etsi_ts/134100_134199/134114/10.03.00_60/ |
| Release 11 | | | | | |
| ARIB | ARIB STD-T63-34.114 | 11.3.0 | Approved | Jul 13 | http://www.arib.or.jp/english/html/overview/doc/STD-T63v10_00/2_T63/ARIB-STD-T63/Rel11/34/A34114-b30.pdf |
| ATIS | ATIS.3GPP.34.114V1130-2014 | 11.3.0 | Approved | May 14 | https://www.atis.org/docstore/default.aspx |
| CCSA | CCSA-TSD-DS-34.114 | 11.3.0 | Published | Jun 14 | http://www.ccsa.org.cn/english/tc/files.php?docpath=/ITU-R/M.1457/M.1457-12/DS |
| ETSI | ETSI TS 134 114 | 11.3.0 | Published | Jan 13 | http://www.etsi.org/deliver/etsi_ts/134100_134199/134114/11.03.00_60/ |

5.1.2.5.4 TS 34.121

Terminal conformance specification, Radio transmission and reception (FDD)

This document specifies the Radio Frequency (RF) test methods and conformance requirements for UTRA User Equipment (UE) operating in the FDD mode. These have been derived from, and are consistent with, the core UTRA specifications. The maximum acceptable measurement uncertainty is specified in the TS for each test, where appropriate.

| SDO (2) | Document No. | Version | Status | Issued date | Location (1) |
|-------------------|-----------------------------|---------|-----------|-------------|---|
| Release 99 | | | | | |
| ARIB | ARIB STD-T63-34.121 | 3.14.0 | Approved | Jul 13 | http://www.arib.or.jp/english/html/overview/doc/STD-T63v10_00/2_T63/ARIB-STD-T63/R99/34/A34121-3e0.pdf |
| ATIS | T1.3GPP.34.121V3140-2004 | 3.14.0 | Approved | May 04 | https://www.atis.org/docstore/default.aspx |
| CCSA | CCSA-TSD-DS-34.121 | 3.14.0 | Published | Oct 03 | http://www.ccsa.org.cn/english/tc/files.php?docpath=/ITU-R/M.1457/M.1457-12/DS |
| ETSI | ETSI TS 134 121 | 3.14.0 | Published | Oct 03 | http://www.etsi.org/deliver/etsi_ts/134100_134199/134121/03.14.00_60/ |
| TTA | TTAT.3G-34.121(R99F-3.14.0) | 3.14.0 | Approved | May 04 | http://www.tta.or.kr/data/ttasDown.jsp?where=14688&pk_num=TTAT.3G-34.121(R99F-3.14.0) |

Release 4

| | | | | | |
|------|---------------------------|-------|-----------|--------|---|
| ARIB | ARIB STD-T63-34.121 | 4.1.0 | Approved | Jul 13 | http://www.arib.or.jp/english/html/overview/doc/STD-T63v10_00/2_T63/ARIB-STD-T63/Rel4/34/A34121-410.pdf |
| ATIS | T1.3GPP.34.121V410-2004 | 4.1.0 | Approved | May 04 | https://www.atis.org/docstore/default.aspx |
| CCSA | CCSA-TSD-DS-34.121 | 4.1.0 | Published | Oct 03 | http://www.ccsa.org.cn/english/tc/files.php?docpath=/ITU-R/M.1457/M.1457-12/DS |
| ETSI | ETSI TS 134 121 | 4.1.0 | Published | Oct 03 | http://www.etsi.org/deliver/etsi_ts/134100_134199/134121/04.01.00_60/ |
| TTA | TTAT.3G-34.121(R4F-4.1.0) | 4.1.0 | Approved | May 04 | http://www.tta.or.kr/data/ttasDown.jsp?where=14688&pk_num=TTAT.3G-34.121(R4F-4.1.0) |

Release 5

| | | | | | |
|------|---------------------------|-------|-----------|--------|---|
| ARIB | ARIB STD-T63-34.121 | 5.7.0 | Approved | Jul 13 | http://www.arib.or.jp/english/html/overview/doc/STD-T63v10_00/2_T63/ARIB-STD-T63/Rel5/34/A34121-570.pdf |
| ATIS | ATIS.3GPP.34.121V570-2006 | 5.7.0 | Approved | Apr 06 | https://www.atis.org/docstore/default.aspx |
| CCSA | CCSA-TSD-DS-34.121 | 5.7.0 | Published | Apr 05 | http://www.ccsa.org.cn/english/tc/files.php?docpath=/ITU-R/M.1457/M.1457-12/DS |
| ETSI | ETSI TS 134 121 | 5.7.0 | Published | Apr 05 | http://www.etsi.org/deliver/etsi_ts/134100_134199/134121/05.07.00_60/ |
| TTA | TTAT.3G-34.121(R5F-5.7.0) | 5.7.0 | Approved | Apr 06 | http://www.tta.or.kr/data/ttasDown.jsp?where=14688&pk_num=TTAT.3G-34.121(R5F-5.7.0) |

Release 6

| | | | | | |
|------|---------------------------|-------|-----------|--------|---|
| ARIB | ARIB STD-T63-34.121 | 6.4.0 | Approved | Jul 13 | http://www.arib.or.jp/english/html/overview/doc/STD-T63v10_00/2_T63/ARIB-STD-T63/Rel6/34/A34121-640.pdf |
| ATIS | ATIS.3GPP.34.121V640-2007 | 6.4.0 | Approved | Oct 07 | https://www.atis.org/docstore/default.aspx |
| CCSA | CCSA-TSD-DS-34.121 | 6.4.0 | Published | Jun 06 | http://www.ccsa.org.cn/english/tc/files.php?docpath=/ITU-R/M.1457/M.1457-12/DS |
| ETSI | ETSI TS 134 121 | 6.4.0 | Published | Jun 06 | http://www.etsi.org/deliver/etsi_ts/134100_134199/134121/06.04.00_60/ |
| TTA | TTAT.3G-34.121(R6F-6.4.0) | 6.4.0 | Approved | Dec 07 | http://www.tta.or.kr/data/ttasDown.jsp?where=14688&pk_num=TTAT.3G-34.121(R6F-6.4.0) |

Release 9

| | | | | | |
|-----|--------------------------|-------|----------|--------|---|
| TTA | TTAT.3G-34.121(R9-9.0.0) | 9.0.0 | Approved | Jul 10 | http://www.tta.or.kr/data/ttasDown.jsp?where=14688&pk_num=TTAT.3G-34.121(R9-9.0.0) |
|-----|--------------------------|-------|----------|--------|---|

5.1.2.5.5 TS 34.121-1**User Equipment (UE) conformance specification; Radio transmission and reception (FDD); Part 1: Conformance specification**

This document specifies the UTRA measurement procedures for the conformance test of the user equipment (UE) that contain transmitting characteristics, receiving characteristics and performance requirements in addition to requirements for support of RRM (Radio Resource Management) in FDD mode. In addition it specifies conformance testing of RRM requirements for support of E-UTRA when the UE operates in UTRA mode.

NOTE: Conformance testing of RRM requirements for support of UTRA when the UE operates in E-UTRA mode are specified in TS 36.521-3.

The requirements are listed in different clauses only if the corresponding parameters deviate. More generally, tests are only applicable to those mobiles that are intended to support the appropriate functionality. To indicate the circumstances in which tests apply, this is noted in the "definition and applicability" part of the test.

For example only Release 5 and later UE declared to support HSDPA shall be tested for this functionality. In the event that for some tests different conditions apply for different releases, this is indicated within the text of the test itself.

| SDO (2) | Document No. | Version | Status | Issued date | Location (1) |
|------------------|------------------------------|---------|-----------|-------------|---|
| TTA | TTAT.3G-34.121-1(R10-10.6.0) | 10.6.0 | published | Aug 14 | http://www.tta.or.kr/data/ttasDown.jsp?where=14688&pk_num=TTAT.3G-22.268(R11-11.5.0.) |
| Release 7 | | | | | |
| ARIB | ARIB STD-T63-34.121-1 | 7.6.0 | Approved | Jul 13 | http://www.arib.or.jp/english/html/overview/doc/STD-T63v10_00/2_T63/ARIB-STD-T63/Rel7/34/A34121-1-760.pdf |
| ETSI | ETSI TS 134 121-1 | 7.6.0 | Published | Oct 07 | http://www.etsi.org/deliver/etsi_ts/134100_134199/134121/01/07.06.00_60/ |

Release 8

| | | | | | |
|------|-----------------------|--------|-----------|--------|---|
| ARIB | ARIB STD-T63-34.121-1 | 8.11.0 | Approved | Jul 13 | http://www.arib.or.jp/english/html/overview/doc/STD-T63v10_00/2_T63/ARIB-STD-T63/Rel8/34/A34121-1-8b0.pdf |
| ETSI | ETSI TS 134 121-1 | 8.11.0 | Published | Jun 10 | http://www.etsi.org/deliver/etsi_ts/134100_134199/13412101/08.11.00_60/ |

Release 9

| | | | | | |
|------|-----------------------|-------|-----------|--------|---|
| ARIB | ARIB STD-T63-34.121-1 | 9.7.0 | Approved | Jul 13 | http://www.arib.or.jp/english/html/overview/doc/STD-T63v10_00/2_T63/ARIB-STD-T63/Rel9/34/A34121-1-970.pdf |
| ETSI | ETSI TS 134 121-1 | 9.7.0 | Published | Jan 12 | http://www.etsi.org/deliver/etsi_ts/134100_134199/13412101/09.07.00_60/ |

Release 10

| | | | | | |
|------|------------------------------|--------|-----------|--------|---|
| ARIB | ARIB STD-T63-34.121-1 | 10.6.0 | Approved | Jul 13 | http://www.arib.or.jp/english/html/overview/doc/STD-T63v10_00/2_T63/ARIB-STD-T63/Rel10/34/A34121-1- |
| ATIS | ATIS.3GPP.34.121-1V1060-2014 | 10.6.0 | Approved | May 14 | https://www.atis.org/docstore/default.aspx |
| ETSI | ETSI TS 134 121-1 | 10.6.0 | Published | May 13 | http://www.etsi.org/deliver/etsi_ts/134100_134199/13412101/10.06.00_60/ |

Release 11

| | | | | | |
|------|----------------------|--------|-----------|--------|---|
| CCSA | CCSA-TSD-DS-34.121-1 | 11.4.0 | Published | Jun 14 | http://www.ccsa.org.cn/english/tc/files.php?docpath=/ITU-R/M.1457/M.1457-12/DS |
| CCSA | CCSA-TSD-DS-34.121-1 | 11.3.0 | Published | Jun 14 | http://www.ccsa.org.cn/english/tc/files.php?docpath=/ITU-R/M.1457/M.1457-12/DS |

5.1.2.5.6 TS 34.121-2**User Equipment (UE) conformance specification; Radio transmission and reception (FDD); Part 2: Implementation Conformance Statement (ICS)**

This document provides the Implementation Conformance Statement (ICS) proforma for 3rd Generation User Equipment (UE), in compliance with the relevant requirements, and in accordance with the relevant guidance given in ISO/IEC 9646-7 and ETS 300 406.

This document also specifies a recommended applicability statement for the test cases included in TS 34.121-1. These applicability statements are based on the features implemented in the UE.

Special conformance testing functions can be found in 3GPP TS 34.109 and the common test environments are included in 3GPP TS 34.108 and 3GPP TS 36.508.

The present document is valid for UE implemented according to 3GPP releases starting from Release 99 up to the Release indicated on the cover page of the present document.

| SDO (2) | Document No. | Version | Status | Issued date | Location (1) |
|------------------|------------------------------|---------|-----------|-------------|---|
| TTA | TTAT.3G-34.121-2(R10-10.6.0) | 10.6.0 | published | Aug 14 | http://www.tta.or.kr/data/ttasDown.jsp?where=14688&pk_num=TTAT.3G-22.278(R11-11.6.0) |
| Release 7 | | | | | |
| ARIB | ARIB STD-T63-34.121-2 | 7.6.0 | Approved | Jul 13 | http://www.arib.or.jp/english/html/overview/doc/STD-T63v10_00/2_T63/ARIB-STD-T63/Rel7/34/A34121-2-760.pdf |
| ETSI | ETSI TS 134 121-2 | 7.6.0 | Published | Oct 07 | http://www.etsi.org/deliver/etsi_ts/134100_134199/13412102/07.06.00_60/ |
| Release 8 | | | | | |
| ARIB | ARIB STD-T63-34.121-2 | 8.11.0 | Approved | Jul 13 | http://www.arib.or.jp/english/html/overview/doc/STD-T63v10_00/2_T63/ARIB-STD-T63/Rel8/34/A34121-2-8b0.pdf |
| ETSI | ETSI TS 134 121-2 | 8.11.0 | Published | Jun 10 | http://www.etsi.org/deliver/etsi_ts/134100_134199/13412102/08.11.00_60/ |
| Release 9 | | | | | |
| ARIB | ARIB STD-T63-34.121-2 | 9.7.0 | Approved | Jul 13 | http://www.arib.or.jp/english/html/overview/doc/STD-T63v10_00/2_T63/ARIB-STD-T63/Rel9/34/A34121-2-970.pdf |
| ETSI | ETSI TS 134 121-2 | 9.7.0 | Published | Jan 12 | http://www.etsi.org/deliver/etsi_ts/134100_134199/13412102/09.07.00_60/ |

Release 10

| | | | | | |
|------|------------------------------|--------|-----------|--------|---|
| ARIB | ARIB STD-T63-34.121-2 | 10.6.0 | Approved | Jul 13 | http://www.arib.or.jp/english/html/overview/doc/STD-T63v10_00/2_T63/ARIB-STD-T63/Rel10/34/A34121-2- |
| ATIS | ATIS.3GPP.34.121-2V1060-2014 | 10.6.0 | Approved | May 14 | https://www.atis.org/docstore/default.aspx |
| ETSI | ETSI TS 134 121-2 | 10.6.0 | Published | Apr 13 | http://www.etsi.org/deliver/etsi_ts/134100_134199/13412102/10.06.00_60/ |

5.1.2.5.7 TS 34.123-1**User Equipment (UE) conformance specification; Part 1: Protocol conformance specification**

This document specifies the protocol conformance testing for the 3rd Generation User Equipment (UE). This is the first part of a multi-part test specification.

| SDO (2) | Document No. | Version | Status | Issued date | Location (1) |
|-------------------|------------------------------|---------|-----------|-------------|---|
| TTA | TTAT.3G-34.123-1(R10-10.4.0) | 10.4.0 | published | Aug 14 | http://www.tta.or.kr/data/ttasDown.jsp?where=14688&pk_num=TTAT.3G-22.279(R11-11.0.0) |
| Release 99 | | | | | |
| ARIB | ARIB STD-T63-34.123-1 | 3.5.0 | Approved | Jul 13 | http://www.arib.or.jp/english/html/overview/doc/STD-T63v10_00/2_T63/ARIB-STD-T63/R99/34/A34123-1-350.pdf |
| ATIS | T1.3GPP.34.123-1V350-2002 | 3.5.0 | Approved | May 02 | https://www.atis.org/docstore/default.aspx |
| CCSA | CCSA-TSD-DS-34.123-1 | 3.5.0 | Published | Oct 01 | http://www.ccsa.org.cn/english/tc/files.php?docpath=/ITU-R/M.1457/M.1457-12/DS |
| ETSI | ETSI TS 134 123-1 | 3.5.0 | Published | Oct 01 | http://www.etsi.org/deliver/etsi_ts/134100_134199/13412301/03.05.00_60/ |
| TTA | TTAE.3G-34.123-1(R99350) | 3.5.0 | Approved | May 02 | http://www.tta.or.kr/data/ttasDown.jsp?where=14688&pk_num=TTAE.3G-34.123-1(R99350) |
| Release 4 | | | | | |
| ARIB | ARIB STD-T63-34.123-1 | 4.3.0 | Approved | Jul 13 | http://www.arib.or.jp/english/html/overview/doc/STD-T63v10_00/2_T63/ARIB-STD-T63/Rel4/34/A34123-1-430.pdf |
| ATIS | T1.3GPP.34.123-1V430-2003 | 4.3.0 | Approved | Mar 03 | https://www.atis.org/docstore/default.aspx |
| CCSA | CCSA-TSD-DS-34.123-1 | 4.3.0 | Published | Jul 02 | http://www.ccsa.org.cn/english/tc/files.php?docpath=/ITU-R/M.1457/M.1457-12/DS |
| ETSI | ETSI TS 134 123-1 | 4.3.0 | Published | Jul 02 | http://www.etsi.org/deliver/etsi_ts/134100_134199/13412301/04.03.00_60/ |
| TTA | TTAT.3G-34.123-1(R4-4.3.0) | 4.3.0 | Approved | Mar 03 | http://www.tta.or.kr/data/ttasDown.jsp?where=14688&pk_num=TTAT.3G-34.123-1(R4-4.3.0) |
| Release 5 | | | | | |
| ARIB | ARIB STD-T63-34.123-1 | 5.13.1 | Approved | Jul 13 | http://www.arib.or.jp/english/html/overview/doc/STD-T63v10_00/2_T63/ARIB-STD-T63/Rel5/34/A34123-1-5d1.pdf |
| ATIS | ATIS.3GPP.34.123-1V5131-2006 | 5.13.1 | Approved | Apr 06 | https://www.atis.org/docstore/default.aspx |
| CCSA | CCSA-TSD-DS-34.123-1 | 5.13.1 | Published | Oct 05 | http://www.ccsa.org.cn/english/tc/files.php?docpath=/ITU-R/M.1457/M.1457-12/DS |
| ETSI | ETSI TS 134 123-1 | 5.13.1 | Published | Oct 05 | http://www.etsi.org/deliver/etsi_ts/134100_134199/13412301/05.13.01_60/ |
| TTA | TTAT.3G-34.123-1(R5-5.13.1) | 5.13.1 | Approved | Apr 06 | http://www.tta.or.kr/data/ttasDown.jsp?where=14688&pk_num=TTAT.3G-34.123-1(R5-5.13.1) |
| Release 6 | | | | | |
| ARIB | ARIB STD-T63-34.123-1 | 6.7.0 | Approved | Jul 13 | http://www.arib.or.jp/english/html/overview/doc/STD-T63v10_00/2_T63/ARIB-STD-T63/Rel6/34/A34123-1-670.pdf |
| ATIS | ATIS.3GPP.34.123-1V670-2007 | 6.7.0 | Approved | Oct 07 | https://www.atis.org/docstore/default.aspx |
| CCSA | CCSA-TSD-DS-34.123-1 | 6.7.0 | Published | Jul 07 | http://www.ccsa.org.cn/english/tc/files.php?docpath=/ITU-R/M.1457/M.1457-12/DS |
| ETSI | ETSI TS 134 123-1 | 6.7.0 | Published | Jul 07 | http://www.etsi.org/deliver/etsi_ts/134100_134199/13412301/06.07.00_60/ |
| TTA | TTAT.3G-34.123-1(R6-6.7.0) | 6.7.0 | Approved | Dec 07 | http://www.tta.or.kr/data/ttasDown.jsp?where=14688&pk_num=TTAT.3G-34.123-1(R6-6.7.0) |
| Release 7 | | | | | |
| ARIB | ARIB STD-T63-34.123-1 | 7.1.0 | Approved | Jul 13 | http://www.arib.or.jp/english/html/overview/doc/STD-T63v10_00/2_T63/ARIB-STD-T63/Rel7/34/A34123-1-710.pdf |
| ATIS | ATIS.3GPP.34.123-1V710-2007 | 7.1.0 | Approved | Oct 07 | https://www.atis.org/docstore/default.aspx |
| CCSA | CCSA-TSD-DS-34.123-1 | 7.1.0 | Published | Oct 07 | http://www.ccsa.org.cn/english/tc/files.php?docpath=/ITU-R/M.1457/M.1457-12/DS |
| ETSI | ETSI TS 134 123-1 | 7.1.0 | Published | Oct 07 | http://www.etsi.org/deliver/etsi_ts/134100_134199/13412301/07.01.00_60/ |
| TTA | TTAT.3G-34.123-1(R7-7.1.0) | 7.1.0 | Approved | Dec 07 | http://www.tta.or.kr/data/ttasDown.jsp?where=14688&pk_num=TTAT.3G-34.123-1(R7-7.1.0) |

Release 8

| | | | | | |
|------|------------------------------|--------|-----------|--------|---|
| ARIB | ARIB STD-T63-34.123-1 | 8.11.0 | Approved | Jul 13 | http://www.arib.or.jp/english/html/overview/doc/STD-T63v10_00/2_T63/ARIB-STD-T63/Rel8/34/A34123-1-8b0.pdf |
| ATIS | ATIS.3GPP.34.123-1V8110-2012 | 8.11.0 | Approved | Jul 12 | https://www.atis.org/docstore/default.aspx |
| CCSA | CCSA-TSD-DS-34.123-1 | 8.11.0 | Published | Jun 12 | http://www.ccsa.org.cn/english/tc/files.php?docpath=/ITU-R/M.1457/M.1457-12/DS |
| ETSI | ETSI TS 134 123-1 | 8.11.0 | Published | Jun 10 | http://www.etsi.org/deliver/etsi_ts/134100_134199/13412301/08.11.00_60/ |
| TTA | TTAT.3G-34.123-1(R8-8.6.0) | 8.6.0 | Approved | Jul 09 | http://www.tta.or.kr/data/ttasDown.jsp?where=14688&pk_num=TTAT.3G-34.123-1(R8-8.6.0) |

Release 9

| | | | | | |
|------|-----------------------------|-------|-----------|--------|---|
| ARIB | ARIB STD-T63-34.123-1 | 9.9.0 | Approved | Jul 13 | http://www.arib.or.jp/english/html/overview/doc/STD-T63v10_00/2_T63/ARIB-STD-T63/Rel9/34/A34123-1-990.pdf |
| ATIS | ATIS.3GPP.34.123-1V990-2014 | 9.9.0 | Approved | May 14 | https://www.atis.org/docstore/default.aspx |
| CCSA | CCSA-TSD-DS-34.123-1 | 9.7.0 | Published | Jun 12 | http://www.ccsa.org.cn/english/tc/files.php?docpath=/ITU-R/M.1457/M.1457-12/DS |
| ETSI | ETSI TS 134 123-1 | 9.9.0 | Published | Jul 12 | http://www.etsi.org/deliver/etsi_ts/134100_134199/13412301/09.09.00_60/ |
| TTA | TTAT.3G-34.123-1(R9-9.0.0) | 9.0.0 | Approved | Jul 10 | http://www.tta.or.kr/data/ttasDown.jsp?where=14688&pk_num=TTAT.3G-34.123-1(R9-9.0.0) |

Release 10

| | | | | | |
|------|------------------------------|--------|-----------|--------|---|
| ARIB | ARIB STD-T63-34.123-1 | 10.4.0 | Approved | Jul 13 | http://www.arib.or.jp/english/html/overview/doc/STD-T63v10_00/2_T63/ARIB-STD-T63/Rel10/34/A34123-1- |
| ATIS | ATIS.3GPP.34.123-1V1040-2014 | 10.4.0 | Approved | May 14 | https://www.atis.org/docstore/default.aspx |
| ETSI | ETSI TS 134 123-1 | 10.4.0 | Published | Jun 13 | http://www.etsi.org/deliver/etsi_ts/134100_134199/13412301/10.04.00_60/ |
| TTA | TTAT.3G-34.123-1(R10-10.0.0) | 10.0.0 | Approved | Aug 12 | http://www.tta.or.kr/data/ttasDown.jsp?where=14688&pk_num=TTAT.3G-34.123-1(R10-10.0.0) |

Release 11

| | | | | | |
|------|----------------------|--------|-----------|--------|---|
| CCSA | CCSA-TSD-DS-34.123-1 | 11.2.0 | Published | Jun 14 | http://www.ccsa.org.cn/english/tc/files.php?docpath=/ITU-R/M.1457/M.1457-12/DS |
|------|----------------------|--------|-----------|--------|---|

5.1.2.5.8 TS 34.123-2**User Equipment (UE) conformance specification; Part 2: Implementation conformance statement (ICS) proforma specification**

This document provides the Implementation Conformance Statement (ICS) proforma for 3rd Generation User Equipment (UE), in compliance with the relevant requirements, and in accordance with the relevant guidance given in ISO/IEC 9646-7 and ETS 300 406. This document also specifies a recommended applicability statement for the test cases included in TS 34.123-1. These applicability statements are based on the features implemented in the UE.

| SDO (2) | Document No. | Version | Status | Issued date | Location (1) |
|-------------------|------------------------------|---------|-----------|-------------|---|
| TTA | TTAT.3G-34.123-2(R10-10.4.0) | 10.4.0 | published | Aug 14 | http://www.tta.or.kr/data/ttasDown.jsp?where=14688&pk_num=TTAT.3G-22.340(R11-11.0.0) |
| Release 99 | | | | | |
| ARIB | ARIB STD-T63-34.123-2 | 3.5.0 | Approved | Jul 13 | http://www.arib.or.jp/english/html/overview/doc/STD-T63v10_00/2_T63/ARIB-STD-T63/R99/34/A34123-2-350.pdf |
| ATIS | T1.3GPP.34.123-2V350-2002 | 3.5.0 | Approved | May 02 | https://www.atis.org/docstore/default.aspx |
| CCSA | CCSA-TSD-DS-34.123-2 | 3.5.0 | Published | Oct 01 | http://www.ccsa.org.cn/english/tc/files.php?docpath=/ITU-R/M.1457/M.1457-12/DS |
| ETSI | ETSI TS 134 123-2 | 3.5.0 | Published | Oct 01 | http://www.etsi.org/deliver/etsi_ts/134100_134199/13412302/03.05.00_60/ |
| TTA | TTAE.3G-34.123-2(R99350) | 3.5.0 | Approved | May 02 | http://www.tta.or.kr/data/ttasDown.jsp?where=14688&pk_num=TTAE.3G-34.123-2(R99350) |
| Release 4 | | | | | |
| ARIB | ARIB STD-T63-34.123-2 | 4.3.0 | Approved | Jul 13 | http://www.arib.or.jp/english/html/overview/doc/STD-T63v10_00/2_T63/ARIB-STD-T63/Rel4/34/A34123-2-430.pdf |
| ATIS | T1.3GPP.34.123-2V430-2003 | 4.3.0 | Approved | Mar 03 | https://www.atis.org/docstore/default.aspx |
| CCSA | CCSA-TSD-DS-34.123-2 | 4.3.0 | Published | Jun 02 | http://www.ccsa.org.cn/english/tc/files.php?docpath=/ITU-R/M.1457/M.1457-12/DS |
| ETSI | ETSI TS 134 123-2 | 4.3.0 | Published | Jun 02 | http://www.etsi.org/deliver/etsi_ts/134100_134199/13412302/04.03.00_60/ |
| TTA | TTAT.3G-34.123-2(R4-4.3.0) | 4.3.0 | Approved | Mar 03 | http://www.tta.or.kr/data/ttasDown.jsp?where=14688&pk_num=TTAT.3G-34.123-2(R4-4.3.0) |

Release 5

| | | | | | |
|------|------------------------------|--------|-----------|--------|---|
| ARIB | ARIB STD-T63-34.123-2 | 5.13.0 | Approved | Jul 13 | http://www.arib.or.jp/english/html/overview/doc/STD-T63v10_00/2_T63/ARIB-STD-T63/Rel5/34/A34123-2-5d0.pdf |
| ATIS | ATIS.3GPP.34.123-2V5130-2006 | 5.13.0 | Approved | Apr 06 | https://www.atis.org/docstore/default.aspx |
| CCSA | CCSA-TSD-DS-34.123-2 | 5.13.0 | Published | Oct 05 | http://www.ccsa.org.cn/english/tc/files.php?docpath=/ITU-R/M.1457/M.1457-12/DS |
| ETSI | ETSI TS 134 123-2 | 5.13.0 | Published | Oct 05 | http://www.etsi.org/deliver/etsi_ts/134100_134199/13412302/05.13.00_60/ |
| TTA | TTAT.3G-34.123-2(R5-5.13.0) | 5.13.0 | Approved | Jul 09 | http://www.tta.or.kr/data/ttasDown.jsp?where=14688&pk_num=TTAT.3G-34.123-2(R5-5.13.0) |

Release 6

| | | | | | |
|------|-----------------------------|-------|-----------|--------|---|
| ARIB | ARIB STD-T63-34.123-2 | 6.7.0 | Approved | Jul 13 | http://www.arib.or.jp/english/html/overview/doc/STD-T63v10_00/2_T63/ARIB-STD-T63/Rel6/34/A34123-2-670.pdf |
| ATIS | ATIS.3GPP.34.123-2V670-2007 | 6.7.0 | Approved | Oct 07 | https://www.atis.org/docstore/default.aspx |
| CCSA | CCSA-TSD-DS-34.123-2 | 6.7.0 | Published | Jul 07 | http://www.ccsa.org.cn/english/tc/files.php?docpath=/ITU-R/M.1457/M.1457-12/DS |
| ETSI | ETSI TS 134 123-2 | 6.7.0 | Published | Jul 07 | http://www.etsi.org/deliver/etsi_ts/134100_134199/13412302/06.07.00_60/ |
| TTA | TTAT.3G-34.123-2(R6-6.7.0) | 6.7.0 | Approved | Dec 07 | http://www.tta.or.kr/data/ttasDown.jsp?where=14688&pk_num=TTAT.3G-34.123-2(R6-6.7.0) |

Release 7

| | | | | | |
|------|-----------------------------|-------|-----------|--------|---|
| ARIB | ARIB STD-T63-34.123-2 | 7.1.0 | Approved | Jul 13 | http://www.arib.or.jp/english/html/overview/doc/STD-T63v10_00/2_T63/ARIB-STD-T63/Rel7/34/A34123-2-710.pdf |
| ATIS | ATIS.3GPP.34.123-2V710-2007 | 7.1.0 | Approved | Oct 07 | https://www.atis.org/docstore/default.aspx |
| CCSA | CCSA-TSD-DS-34.123-2 | 7.1.0 | Published | Oct 07 | http://www.ccsa.org.cn/english/tc/files.php?docpath=/ITU-R/M.1457/M.1457-12/DS |
| ETSI | ETSI TS 134 123-2 | 7.1.0 | Published | Oct 07 | http://www.etsi.org/deliver/etsi_ts/134100_134199/13412302/07.01.00_60/ |
| TTA | TTAT.3G-34.123-2(R7-7.1.0) | 7.1.0 | Approved | Dec 07 | http://www.tta.or.kr/data/ttasDown.jsp?where=14688&pk_num=TTAT.3G-34.123-2(R7-7.1.0) |

Release 8

| | | | | | |
|------|------------------------------|--------|-----------|--------|---|
| ARIB | ARIB STD-T63-34.123-2 | 8.11.0 | Approved | Jul 13 | http://www.arib.or.jp/english/html/overview/doc/STD-T63v10_00/2_T63/ARIB-STD-T63/Rel8/34/A34123-2-8b0.pdf |
| ATIS | ATIS.3GPP.34.123-2V8110-2012 | 8.11.0 | Approved | Jul 12 | https://www.atis.org/docstore/default.aspx |
| CCSA | CCSA-TSD-DS-34.123-2 | 8.11.0 | Published | Jun 12 | http://www.ccsa.org.cn/english/tc/files.php?docpath=/ITU-R/M.1457/M.1457-12/DS |
| ETSI | ETSI TS 134 123-2 | 8.11.0 | Published | Jun 10 | http://www.etsi.org/deliver/etsi_ts/134100_134199/13412302/08.11.00_60/ |
| TTA | TTAT.3G-34.123-2(R8-8.6.0) | 8.6.0 | Approved | Jul 09 | http://www.tta.or.kr/data/ttasDown.jsp?where=14688&pk_num=TTAT.3G-34.123-2(R8-8.6.0) |

Release 9

| | | | | | |
|------|-----------------------------|-------|-----------|--------|---|
| ARIB | ARIB STD-T63-34.123-2 | 9.9.0 | Approved | Jul 13 | http://www.arib.or.jp/english/html/overview/doc/STD-T63v10_00/2_T63/ARIB-STD-T63/Rel9/34/A34123-2-990.pdf |
| ATIS | ATIS.3GPP.34.123-2V990-2014 | 9.9.0 | Approved | May 14 | https://www.atis.org/docstore/default.aspx |
| CCSA | CCSA-TSD-DS-34.123-2 | 9.7.0 | Published | Jun 12 | http://www.ccsa.org.cn/english/tc/files.php?docpath=/ITU-R/M.1457/M.1457-12/DS |
| ETSI | ETSI TS 134 123-2 | 9.9.0 | Published | Jul 12 | http://www.etsi.org/deliver/etsi_ts/134100_134199/13412302/09.09.00_60/ |
| TTA | TTAT.3G-34.123-2(R9-9.0.0) | 9.0.0 | Approved | Jul 10 | http://www.tta.or.kr/data/ttasDown.jsp?where=14688&pk_num=TTAT.3G-34.123-2(R9-9.0.0) |

Release 10

| | | | | | |
|------|------------------------------|--------|-----------|--------|---|
| ARIB | ARIB STD-T63-34.123-2 | 10.4.0 | Approved | Jul 13 | http://www.arib.or.jp/english/html/overview/doc/STD-T63v10_00/2_T63/ARIB-STD-T63/Rel10/34/A34123-2- |
| ATIS | ATIS.3GPP.34.123-2V1040-2014 | 10.4.0 | Approved | May 14 | https://www.atis.org/docstore/default.aspx |
| ETSI | ETSI TS 134 123-2 | 10.4.0 | Published | Apr 13 | http://www.etsi.org/deliver/etsi_ts/134100_134199/13412302/10.04.00_60/ |
| TTA | TTAT.3G-34.123-2(R10-10.0.0) | 10.0.0 | Approved | Aug 12 | http://www.tta.or.kr/data/ttasDown.jsp?where=14688&pk_num=TTAT.3G-34.123-2(R10-10.0.0) |

Release 11

| | | | | | |
|------|----------------------|--------|-----------|--------|---|
| CCSA | CCSA-TSD-DS-34.123-2 | 11.2.0 | Published | Jun 14 | http://www.ccsa.org.cn/english/tc/files.php?docpath=/ITU-R/M.1457/M.1457-12/DS |
|------|----------------------|--------|-----------|--------|---|

5.1.2.5.9 TS 34.123-3**User Equipment (UE) conformance specification; Part 3: Abstract test suite (ATS)**

This document specifies the protocol conformance testing in TTCN for the 3GPP User Equipment (UE) at the Uu interface.

This document is the 3rd part of a multi-part test specification, 3GPP TS 34.123. The following TTCN test specification and design considerations can be found in the present document:

- the overall test suite structure;
- the testing architecture;
- the test methods and PCO definitions;
- the test configurations;
- the design principles, assumptions, and used interfaces to the TTCN tester (System Simulator);
- TTCN styles and conventions;
- the partial PIXIT proforma;
- the TTCN.MP and TTCN.GR forms for the mentioned protocols tests.

The Abstract Test Suites designed in the document are based on the test cases specified in prose (3GPP TS 34.123_1). This document is valid for UE implemented according to 3GPP releases starting from Release 1999 up to the Release indicated on the cover page of this document.

| SDO (2) | Document No. | Version | Status | Issued date | Location (1) |
|-------------------|------------------------------|---------|-----------|-------------|---|
| TTA | TTAT.3G-34.123-3(R10-10.3.0) | 10.3.0 | published | Aug 14 | http://www.tta.or.kr/data/ttasDown.jsp?where=14688&pk_num=TTAT.3G-22.340(R11-11.0.0) |
| Release 99 | | | | | |
| ARIB | ARIB STD-T63-34.123-3 | 3.9.0 | Approved | Jul 13 | http://www.arib.or.jp/english/html/overview/doc/STD-T63v10_00/2_T63/ARIB-STD-T63/R99/34/A34123-3-390.pdf |
| ETSI | ETSI TS 134 123-3 | 3.9.0 | Published | Apr 05 | http://www.etsi.org/deliver/etsi_ts/134100_134199/13412303/03.09.00_60/ |
| Release 4 | | | | | |
| ARIB | ARIB STD-T63-34.123-3 | 4.0.0 | Approved | Jul 13 | http://www.arib.or.jp/english/html/overview/doc/STD-T63v10_00/2_T63/ARIB-STD-T63/Rel4/34/A34123-3-400.pdf |
| ETSI | ETSI TS 134 123-3 | 4.0.0 | Published | May 05 | http://www.etsi.org/deliver/etsi_ts/134100_134199/13412303/04.00.00_60/ |
| Release 5 | | | | | |
| ARIB | ARIB STD-T63-34.123-3 | 5.6.0 | Approved | Jul 13 | http://www.arib.or.jp/english/html/overview/doc/STD-T63v10_00/2_T63/ARIB-STD-T63/Rel5/34/A34123-3-560.pdf |
| ETSI | ETSI TS 134 123-3 | 5.6.0 | Published | Oct 06 | http://www.etsi.org/deliver/etsi_ts/134100_134199/13412303/05.06.00_60/ |
| Release 6 | | | | | |
| ARIB | ARIB STD-T63-34.123-3 | 6.6.0 | Approved | Jul 13 | http://www.arib.or.jp/english/html/overview/doc/STD-T63v10_00/2_T63/ARIB-STD-T63/Rel6/34/A34123-3-660.pdf |
| ETSI | ETSI TS 134 123-3 | 6.6.0 | Published | Apr 08 | http://www.etsi.org/deliver/etsi_ts/134100_134199/13412303/06.06.00_60/ |
| Release 7 | | | | | |
| ARIB | ARIB STD-T63-34.123-3 | 7.3.0 | Approved | Jul 13 | http://www.arib.or.jp/english/html/overview/doc/STD-T63v10_40/2_T63/ARIB-STD-T63/Rel7/34/A34123-3-730.pdf |
| ETSI | ETSI TS 134 123-3 | 7.3.0 | Published | Jan 09 | http://www.etsi.org/deliver/etsi_ts/134100_134199/13412303/07.03.00_60/ |
| Release 8 | | | | | |
| ARIB | ARIB STD-T63-34.123-3 | 8.10.0 | Approved | Jul 13 | http://www.arib.or.jp/english/html/overview/doc/STD-T63v10_00/2_T63/ARIB-STD-T63/Rel8/34/A34123-3-8a0.pdf |
| ETSI | ETSI TS 134 123-3 | 8.10.0 | Published | Aug 11 | http://www.etsi.org/deliver/etsi_ts/134100_134199/13412303/08.10.00_60/ |

Release 9

| | | | | | |
|------|-----------------------|-------|-----------|--------|---|
| ARIB | ARIB STD-T63-34.123-3 | 9.5.0 | Approved | Jul 13 | http://www.arib.or.jp/english/html/overview/doc/STD-T63v10_00/2_T63/ARIB-STD-T63/Rel9/34/A34123-3-950.pdf |
| ETSI | ETSI TS 134 123-3 | 9.5.0 | Published | Oct 12 | http://www.etsi.org/deliver/etsi_ts/134100_134199/13412303/09.05.00_60/ |

Release 10

| | | | | | |
|------|------------------------------|--------|-----------|--------|---|
| ARIB | ARIB STD-T63-34.123-3 | 10.3.0 | Approved | Jul 13 | http://www.arib.or.jp/english/html/overview/doc/STD-T63v10_00/2_T63/ARIB-STD-T63/Rel10/34/A34123-3- |
| ATIS | ATIS.3GPP.34.123-2V1030-2014 | 10.3.0 | Approved | May 14 | https://www.atis.org/docstore/default.aspx |
| ETSI | ETSI TS 134 123-3 | 10.3.0 | Published | Jun 13 | http://www.etsi.org/deliver/etsi_ts/134100_134199/13412303/10.03.00_60/ |

Release 11

| | | | | | |
|------|----------------------|--------|-----------|--------|---|
| CCSA | CCSA-TSD-DS-34.123-3 | 11.2.0 | Published | Jun 14 | http://www.ccsa.org.cn/english/tc/files.php?docpath=/ITU-R/M.1457/M.1457-12/DS |
|------|----------------------|--------|-----------|--------|---|

5.1.2.5.10 TS 34.124**Electromagnetic compatibility (EMC) requirements for mobile terminals and ancillary equipment**

This document establishes the essential EMC requirements for “3rd generation” digital cellular mobile terminal equipment and ancillary accessories in combination with a 3GPP user equipment (UE).

| SDO (2) | Document No. | Version | Status | Issued date | Location (1) |
|-------------------|---------------------------|---------|-----------|-------------|---|
| Release 99 | | | | | |
| ARIB | ARIB STD-T63-34.124 | 3.4.0 | Approved | Jul 13 | http://www.arib.or.jp/english/html/overview/doc/STD-T63v10_00/2_T63/ARIB-STD-T63/R99/34/A34124-340.pdf |
| ATIS | T1.3GPP.34.124V340-2004 | 3.4.0 | Approved | May 04 | https://www.atis.org/docstore/default.aspx |
| CCSA | CCSA-TSD-DS-34.124 | 3.4.0 | Published | Apr 03 | http://www.ccsa.org.cn/english/tc/files.php?docpath=/ITU-R/M.1457/M.1457-12/DS |
| ETSI | ETSI TS 134 124 | 3.4.0 | Published | Apr 03 | http://www.etsi.org/deliver/etsi_ts/134100_134199/134124/03.04.00_60/ |
| TTA | TTAT.3G-34.124(R99-3.4.0) | 3.4.0 | Approved | May 03 | http://www.tta.or.kr/data/ttasDown.jsp?where=14688&pk_num=TTAT.3G-34.124(R99-3.4.0) |
| Release 4 | | | | | |
| ARIB | ARIB STD-T63-34.124 | 4.2.0 | Approved | Jul 13 | http://www.arib.or.jp/english/html/overview/doc/STD-T63v10_00/2_T63/ARIB-STD-T63/Rel4/34/A34124-420.pdf |
| ATIS | T1.3GPP.34.124V420-2004 | 4.2.0 | Approved | May 04 | https://www.atis.org/docstore/default.aspx |
| CCSA | CCSA-TSD-DS-34.124 | 4.2.0 | Published | Apr 03 | http://www.ccsa.org.cn/english/tc/files.php?docpath=/ITU-R/M.1457/M.1457-12/DS |
| ETSI | ETSI TS 134 124 | 4.2.0 | Published | Apr 03 | http://www.etsi.org/deliver/etsi_ts/134100_134199/134124/04.02.00_60/ |
| TTA | TTAT.3G-34.124(R4-4.2.0) | 4.2.0 | Approved | May 04 | http://www.tta.or.kr/data/ttasDown.jsp?where=14688&pk_num=TTAT.3G-34.124(R4-4.2.0) |
| Release 5 | | | | | |
| ARIB | ARIB STD-T63-34.124 | 5.4.0 | Approved | Jul 13 | http://www.arib.or.jp/english/html/overview/doc/STD-T63v10_00/2_T63/ARIB-STD-T63/Rel5/34/A34124-540.pdf |
| ATIS | ATIS.3GPP.34.124V540-2005 | 5.4.0 | Approved | Apr 05 | https://www.atis.org/docstore/default.aspx |
| CCSA | CCSA-TSD-DS-34.124 | 5.4.0 | Published | Apr 04 | http://www.ccsa.org.cn/english/tc/files.php?docpath=/ITU-R/M.1457/M.1457-12/DS |
| ETSI | ETSI TS 134 124 | 5.4.0 | Published | Apr 04 | http://www.etsi.org/deliver/etsi_ts/134100_134199/134124/05.04.00_60/ |
| TTA | TTAT.3G-34.124(R5-5.4.0) | 5.4.0 | Approved | May 05 | http://www.tta.or.kr/data/ttasDown.jsp?where=14688&pk_num=TTAT.3G-34.124(R5-5.4.0) |
| Release 6 | | | | | |
| ARIB | ARIB STD-T63-34.124 | 6.2.0 | Approved | Jul 13 | http://www.arib.or.jp/english/html/overview/doc/STD-T63v10_00/2_T63/ARIB-STD-T63/Rel6/34/A34124-620.pdf |
| ATIS | ATIS.3GPP.34.124V620-2007 | 6.2.0 | Approved | Oct 07 | https://www.atis.org/docstore/default.aspx |
| CCSA | CCSA-TSD-DS-34.124 | 6.2.0 | Published | Jun 06 | http://www.ccsa.org.cn/english/tc/files.php?docpath=/ITU-R/M.1457/M.1457-12/DS |
| ETSI | ETSI TS 134 124 | 6.2.0 | Published | Jun 06 | http://www.etsi.org/deliver/etsi_ts/134100_134199/134124/06.02.00_60/ |
| TTA | TTAT.3G-34.124(R6-6.2.0) | 6.2.0 | Approved | Dec 07 | http://www.tta.or.kr/data/ttasDown.jsp?where=14688&pk_num=TTAT.3G-34.124(R6-6.2.0) |
| Release 7 | | | | | |
| ARIB | ARIB STD-T63-34.124 | 7.5.0 | Approved | Jul 13 | http://www.arib.or.jp/english/html/overview/doc/STD-T63v10_00/2_T63/ARIB-STD-T63/Rel7/34/A34124-750.pdf |

| | | | | | |
|-------------------|----------------------------|--------|-----------|--------|---|
| ATIS | ATIS.3GPP.34.124V750-2007 | 7.5.0 | Approved | Oct 07 | https://www.atis.org/docstore/default.aspx |
| CCSA | CCSA-TSD-DS-34.124 | 7.5.0 | Published | Jan 07 | http://www.ccsa.org.cn/english/tc/files.php?docpath=/ITU-R/M.1457/M.1457-12/DS |
| ETSI | ETSI TS 134 124 | 7.5.0 | Published | Jan 07 | http://www.etsi.org/deliver/etsi_ts/134100_134199/134124/07.05.00_60/ |
| TTA | TTAT.3G-34.124(R7-7.5.0) | 7.5.0 | Approved | Dec 07 | http://www.tta.or.kr/data/ttasDown.jsp?where=14688&pk_num=TTAT.3G-34.124(R7-7.5.0) |
| Release 8 | | | | | |
| ARIB | ARIB STD-T63-34.124 | 8.4.0 | Approved | Jul 13 | http://www.arib.or.jp/english/html/overview/doc/STD-T63v10_00/2_T63/ARIB-STD-T63/Rel8/34/A34124-840.pdf |
| ATIS | ATIS.3GPP.34.124V840-2010 | 8.4.0 | Approved | Jul 10 | https://www.atis.org/docstore/default.aspx |
| CCSA | CCSA-TSD-DS-34.124 | 8.4.0 | Published | Mar 10 | http://www.ccsa.org.cn/english/tc/files.php?docpath=/ITU-R/M.1457/M.1457-12/DS |
| ETSI | ETSI TS 134 124 | 8.4.0 | Published | Feb 10 | http://www.etsi.org/deliver/etsi_ts/134100_134199/134124/08.04.00_60/ |
| TTA | TTAT.3G-34.124(R8-8.3.0) | 8.3.0 | Approved | Jul 09 | http://www.tta.or.kr/data/ttasDown.jsp?where=14688&pk_num=TTAT.3G-34.124(R8-8.3.0) |
| Release 9 | | | | | |
| ARIB | ARIB STD-T63-34.124 | 9.2.0 | Approved | Jul 13 | http://www.arib.or.jp/english/html/overview/doc/STD-T63v10_00/2_T63/ARIB-STD-T63/Rel9/34/A34124-920.pdf |
| ATIS | ATIS.3GPP.34.124V920-2010 | 9.2.0 | Approved | Jul 10 | https://www.atis.org/docstore/default.aspx |
| CCSA | CCSA-TSD-DS-34.124 | 9.2.0 | Published | Mar 10 | http://www.ccsa.org.cn/english/tc/files.php?docpath=/ITU-R/M.1457/M.1457-12/DS |
| ETSI | ETSI TS 134 124 | 9.2.0 | Published | Apr 10 | http://www.etsi.org/deliver/etsi_ts/134100_134199/134124/09.02.00_60/ |
| TTA | TTAT.3G-34.124(R9-9.2.0) | 9.2.0 | Approved | Jul 10 | http://www.tta.or.kr/data/ttasDown.jsp?where=14688&pk_num=TTAT.3G-34.124(R9-9.2.0) |
| Release 10 | | | | | |
| ARIB | ARIB STD-T63-34.124 | 10.2.0 | Approved | Jul 13 | http://www.arib.or.jp/english/html/overview/doc/STD-T63v10_00/2_T63/ARIB-STD-T63/Rel10/34/A34124-a20.pdf |
| ATIS | ATIS.3GPP.34.124V1020-2012 | 10.2.0 | Approved | Jul 12 | https://www.atis.org/docstore/default.aspx |
| CCSA | CCSA-TSD-DS-34.124 | 10.2.0 | Published | Jun 12 | http://www.ccsa.org.cn/english/tc/files.php?docpath=/ITU-R/M.1457/M.1457-12/DS |
| ETSI | ETSI TS 134 124 | 10.2.0 | Published | Nov 11 | http://www.etsi.org/deliver/etsi_ts/134100_134199/134124/10.02.00_60/ |
| TTA | TTAT.3G-34.124(R10-10.2.0) | 10.2.0 | Approved | Aug 12 | http://www.tta.or.kr/data/ttasDown.jsp?where=14688&pk_num=TTAT.3G-34.124(R10-10.2.0) |
| Release 11 | | | | | |
| ARIB | ARIB STD-T63-34.124 | 11.0.0 | Approved | Jul 13 | http://www.arib.or.jp/english/html/overview/doc/STD-T63v10_00/2_T63/ARIB-STD-T63/Rel11/34/A34124-b00.pdf |
| ATIS | ATIS.3GPP.34.124V1100-2014 | 11.0.0 | Approved | May 14 | https://www.atis.org/docstore/default.aspx |
| CCSA | CCSA-TSD-DS-34.124 | 11.0.0 | Published | Jun 14 | http://www.ccsa.org.cn/english/tc/files.php?docpath=/ITU-R/M.1457/M.1457-12/DS |
| ETSI | ETSI TS 134 124 | 11.0.0 | Published | Nov 12 | http://www.etsi.org/deliver/etsi_ts/134100_134199/134124/11.00.00_60/ |

5.1.2.6 36.200 series

5.1.2.6.1 TS 36.201

Evolved Universal Terrestrial Radio Access (E-UTRA); LTE physical layer; General description

This specification describes an overview of the physical layer of the EUTRA radio interface.

| SDO (2) | Document No. | Version | Status | Issued date | Location (1) |
|------------------|---------------------------|---------|-----------|-------------|---|
| Release 8 | | | | | |
| ARIB | ARIB STD-T63-36.201 | 8.3.0 | Approved | Jul 13 | http://www.arib.or.jp/english/html/overview/doc/STD-T63v10_00/2_T63/ARIB-STD-T63/Rel8/36/A36201-830.pdf |
| ATIS | ATIS.3GPP.36.201V830-2009 | 8.3.0 | Approved | Jul 09 | https://www.atis.org/docstore/default.aspx |
| CCSA | CCSA-TSD-DS-36.201 | 8.3.0 | Published | Apr 09 | http://www.ccsa.org.cn/english/tc/files.php?docpath=/ITU-R/M.1457/M.1457-12/DS |
| ETSI | ETSI TS 136 201 | 8.3.0 | Published | Apr 09 | http://www.etsi.org/deliver/etsi_ts/136200_136299/136201/08.03.00_60/ |
| TTA | TTAT.3G-36.201(R8-8.3.0) | 8.3.0 | Approved | Jul 09 | http://www.tta.or.kr/data/ttasDown.jsp?where=14688&pk_num=TTAT.3G-36.201(R8-8.3.0) |

Release 9

| | | | | | |
|------|---------------------------|-------|-----------|--------|---|
| ARIB | ARIB STD-T63-36.201 | 9.1.0 | Approved | Jul 13 | http://www.arib.or.jp/english/html/overview/doc/STD-T63v10_00/2_T63/ARIB-STD-T63/Rel9/36/A36201-910.pdf |
| ATIS | ATIS.3GPP.36.201V910-2010 | 9.1.0 | Approved | Jul 10 | https://www.atis.org/docstore/default.aspx |
| CCSA | CCSA-TSD-DS-36.201 | 9.1.0 | Published | Mar 10 | http://www.ccsa.org.cn/english/tc/files.php?docpath=/ITU-R/M.1457/M.1457-12/DS |
| ETSI | ETSI TS 136 201 | 9.1.0 | Published | Apr 10 | http://www.etsi.org/deliver/etsi_ts/136200_136299/136201/09.01.00_60/ |
| TTA | TTAT.3G-36.201(R9-9.1.0) | 9.1.0 | Approved | Jul 10 | http://www.tta.or.kr/data/ttasDown.jsp?where=14688&pk_num=TTAT.3G-36.201(R9-9.1.0) |

Release 10

| | | | | | |
|------|----------------------------|--------|-----------|--------|---|
| ATIS | ATIS.3GPP.36.201V1000-2011 | 10.0.0 | Approved | Jul 11 | https://www.atis.org/docstore/default.aspx |
| CCSA | CCSA-TSD-DS-36.201 | 10.0.0 | Published | Jun 12 | http://www.ccsa.org.cn/english/tc/files.php?docpath=/ITU-R/M.1457/M.1457-12/DS |
| ETSI | ETSI TS 136 201 | 10.0.0 | Published | Jan 11 | http://www.etsi.org/deliver/etsi_ts/136200_136299/136201/10.00.00_60/ |
| TTA | TTAT.3G-36.201(R10-10.0.0) | 10.0.0 | Approved | Aug 11 | http://www.tta.or.kr/data/ttasDown.jsp?where=14688&pk_num=TTAT.3G-36.201(R10-10.0.0) |

Release 11

| | | | | | |
|------|----------------------------|--------|-----------|--------|---|
| ATIS | ATIS.3GPP.36.201V1110-2013 | 11.1.0 | Approved | Jun 13 | https://www.atis.org/docstore/default.aspx |
| CCSA | CCSA-TSD-DS-36.201 | 11.1.0 | Published | Jun 14 | http://www.ccsa.org.cn/english/tc/files.php?docpath=/ITU-R/M.1457/M.1457-12/DS |
| ETSI | ETSI TS 136 201 | 11.1.0 | Published | Feb 13 | http://www.etsi.org/deliver/etsi_ts/136200_136299/136201/11.01.00_60/ |
| TTA | TTAT.3G-36.201(R11-11.1.0) | 11.1.0 | published | Aug 13 | http://www.tta.or.kr/data/ttasDown.jsp?where=14688&pk_num=TTAT.3G-36.201(R11-11.1.0) |

5.1.2.6.2 TS 36.211**Evolved Universal Terrestrial Radio Access (E-UTRA); Physical channels and modulation**

This specification describes the physical channels for evolved UTRA.

| SDO (2) | Document No. | Version | Status | Issued date | Location (1) |
|-------------------|----------------------------|---------|-----------|-------------|---|
| Release 8 | | | | | |
| ARIB | ARIB STD-T63-36.211 | 8.9.0 | Approved | Jul 13 | http://www.arib.or.jp/english/html/overview/doc/STD-T63v10_00/2_T63/ARIB-STD-T63/Rel8/36/A36211-890.pdf |
| ATIS | ATIS.3GPP.36.211V890-2010 | 8.9.0 | Approved | Jul 10 | https://www.atis.org/docstore/default.aspx |
| CCSA | CCSA-TSD-DS-36.211 | 8.9.0 | Published | Mar 10 | http://www.ccsa.org.cn/english/tc/files.php?docpath=/ITU-R/M.1457/M.1457-12/DS |
| ETSI | ETSI TS 136 211 | 8.9.0 | Published | Jan 10 | http://www.etsi.org/deliver/etsi_ts/136200_136299/136211/08.09.00_60/ |
| TTA | TTAT.3G-36.211(R8-8.6.0) | 8.6.0 | Approved | Jul 09 | http://www.tta.or.kr/data/ttasDown.jsp?where=14688&pk_num=TTAT.3G-36.211(R8-8.6.0) |
| Release 9 | | | | | |
| ARIB | ARIB STD-T63-36.211 | 9.1.0 | Approved | Jul 13 | http://www.arib.or.jp/english/html/overview/doc/STD-T63v10_00/2_T63/ARIB-STD-T63/Rel9/36/A36211-910.pdf |
| ATIS | ATIS.3GPP.36.211V910-2010 | 9.1.0 | Approved | Jul 10 | https://www.atis.org/docstore/default.aspx |
| CCSA | CCSA-TSD-DS-36.211 | 9.1.0 | Published | Mar 10 | http://www.ccsa.org.cn/english/tc/files.php?docpath=/ITU-R/M.1457/M.1457-12/DS |
| ETSI | ETSI TS 136 211 | 9.1.0 | Published | Apr 10 | http://www.etsi.org/deliver/etsi_ts/136200_136299/136211/09.01.00_60/ |
| TTA | TTAT.3G-36.211(R9-9.1.0) | 9.1.0 | Approved | Jul 10 | http://www.tta.or.kr/data/ttasDown.jsp?where=14688&pk_num=TTAT.3G-36.211(R9-9.1.0) |
| Release 10 | | | | | |
| ATIS | ATIS.3GPP.36.211V1070-2013 | 10.7.0 | Approved | Jun 13 | https://www.atis.org/docstore/default.aspx |
| CCSA | CCSA-TSD-DS-36.211 | 10.4.0 | Published | Jun 12 | http://www.ccsa.org.cn/english/tc/files.php?docpath=/ITU-R/M.1457/M.1457-12/DS |
| ETSI | ETSI TS 136 211 | 10.7.0 | Published | Apr 13 | http://www.etsi.org/deliver/etsi_ts/136200_136299/136211/10.07.00_60/ |
| TTA | TTAT.3G-36.211(R10-10.4.0) | 10.4.0 | Approved | Aug 12 | http://www.tta.or.kr/data/ttasDown.jsp?where=14688&pk_num=TTAT.3G-36.211(R10-10.4.0) |
| Release 11 | | | | | |
| ATIS | ATIS.3GPP.36.211V1120-2013 | 11.2.0 | Approved | Jun 13 | https://www.atis.org/docstore/default.aspx |
| CCSA | CCSA-TSD-DS-36.211 | 11.5.0 | Published | Jun 14 | http://www.ccsa.org.cn/english/tc/files.php?docpath=/ITU-R/M.1457/M.1457-12/DS |
| ETSI | ETSI TS 136 211 | 11.2.0 | Published | Apr 13 | http://www.etsi.org/deliver/etsi_ts/136200_136299/136211/11.02.00_60/ |

TTA TTAT.3G-36.211(R11-11.2.0) 11.2.0 published Aug 13 [http://www.tta.or.kr/data/ttasDown.jsp?where=14688&pk_num=TTAT.3G-36.211\(R11-11.2.0\)](http://www.tta.or.kr/data/ttasDown.jsp?where=14688&pk_num=TTAT.3G-36.211(R11-11.2.0))

5.1.2.6.3 TS 36.212

Evolved Universal Terrestrial Radio Access (E-UTRA); Multiplexing and channel coding

This specification describes the coding, multiplexing and mapping to physical channels for E-UTRA.

| SDO (2) | Document No. | Version | Status | Issued date | Location (1) |
|-------------------|----------------------------|---------|-----------|-------------|---|
| Release 8 | | | | | |
| ARIB | ARIB STD-T63-36.212 | 8.8.0 | Approved | Jul 13 | http://www.arib.or.jp/english/html/overview/doc/STD-T63v10_00/2_T63/ARIB-STD-T63/Rel8/36/A36212-880.pdf |
| ATIS | ATIS.3GPP.36.212V880-2010 | 8.8.0 | Approved | Jul 10 | https://www.atis.org/docstore/default.aspx |
| CCSA | CCSA-TSD-DS-36.212 | 8.8.0 | Published | Mar 10 | http://www.ccsa.org.cn/english/tc/files.php?docpath=/ITU-R/M.1457/M.1457-12/DS |
| ETSI | ETSI TS 136 212 | 8.8.0 | Published | Jan 10 | http://www.etsi.org/deliver/etsi_ts/136200_136299/136212/08.08.00_60/ |
| TTA | TTAT.3G-36.212(R8-8.6.0) | 8.6.0 | Approved | Jul 09 | http://www.tta.or.kr/data/ttasDown.jsp?where=14688&pk_num=TTAT.3G-36.212(R8-8.6.0) |
| Release 9 | | | | | |
| ARIB | ARIB STD-T63-36.212 | 9.4.0 | Approved | Jul 13 | http://www.arib.or.jp/english/html/overview/doc/STD-T63v10_00/2_T63/ARIB-STD-T63/Rel9/36/A36212-940.pdf |
| ATIS | ATIS.3GPP.36.212V940-2012 | 9.4.0 | Approved | Jul 12 | https://www.atis.org/docstore/default.aspx |
| CCSA | CCSA-TSD-DS-36.212 | 9.4.0 | Published | Jun 12 | http://www.ccsa.org.cn/english/tc/files.php?docpath=/ITU-R/M.1457/M.1457-12/DS |
| ETSI | ETSI TS 136 212 | 9.4.0 | Published | Oct 11 | http://www.etsi.org/deliver/etsi_ts/136200_136299/136212/09.04.00_60/ |
| TTA | TTAT.3G-36.212(R9-9.1.0) | 9.1.0 | Approved | Jul 10 | http://www.tta.or.kr/data/ttasDown.jsp?where=14688&pk_num=TTAT.3G-36.212(R9-9.1.0) |
| Release 10 | | | | | |
| ATIS | ATIS.3GPP.36.212V1070-2013 | 10.7.0 | Approved | Jun 13 | https://www.atis.org/docstore/default.aspx |
| CCSA | CCSA-TSD-DS-36.212 | 10.4.0 | Published | Jun 12 | http://www.ccsa.org.cn/english/tc/files.php?docpath=/ITU-R/M.1457/M.1457-12/DS |
| ETSI | ETSI TS 136 212 | 10.7.0 | Published | Feb 13 | http://www.etsi.org/deliver/etsi_ts/136200_136299/136212/10.07.00_60/ |
| TTA | TTAT.3G-36.212(R10-10.5.0) | 10.5.0 | Approved | Aug 12 | http://www.tta.or.kr/data/ttasDown.jsp?where=14688&pk_num=TTAT.3G-36.212(R10-10.5.0) |
| Release 11 | | | | | |
| ATIS | ATIS.3GPP.36.212V1120-2013 | 11.2.0 | Approved | Jun 13 | https://www.atis.org/docstore/default.aspx |
| CCSA | CCSA-TSD-DS-36.212 | 11.4.0 | Published | Jun 14 | http://www.ccsa.org.cn/english/tc/files.php?docpath=/ITU-R/M.1457/M.1457-12/DS |
| ETSI | ETSI TS 136 212 | 11.2.0 | Published | Apr 13 | http://www.etsi.org/deliver/etsi_ts/136200_136299/136212/11.02.00_60/ |
| TTA | TTAT.3G-36.212(R11-11.2.0) | 11.2.0 | published | Aug 13 | http://www.tta.or.kr/data/ttasDown.jsp?where=14688&pk_num=TTAT.3G-36.212(R11-11.2.0) |

5.1.2.6.4 TS 36.213

Evolved Universal Terrestrial Radio Access (E-UTRA); Physical layer procedures

This specification describes the characteristics of the physical layer procedures of E-UTRA.

| SDO (2) | Document No. | Version | Status | Issued date | Location (1) |
|------------------|---------------------------|---------|-----------|-------------|---|
| Release 8 | | | | | |
| ARIB | ARIB STD-T63-36.213 | 8.8.0 | Approved | Jul 13 | http://www.arib.or.jp/english/html/overview/doc/STD-T63v10_00/2_T63/ARIB-STD-T63/Rel8/36/A36213-880.pdf |
| ATIS | ATIS.3GPP.36.213V880-2010 | 8.8.0 | Approved | Jul 10 | https://www.atis.org/docstore/default.aspx |
| CCSA | CCSA-TSD-DS-36.213 | 8.8.0 | Published | Mar 10 | http://www.ccsa.org.cn/english/tc/files.php?docpath=/ITU-R/M.1457/M.1457-12/DS |
| ETSI | ETSI TS 136 213 | 8.8.0 | Published | Oct 09 | http://www.etsi.org/deliver/etsi_ts/136200_136299/136213/08.08.00_60/ |

| | | | | | |
|-------------------|----------------------------|--------|-----------|--------|---|
| TTA | TTAT.3G-36.213(R8-8.6.0) | 8.6.0 | Approved | Jul 09 | http://www.tta.or.kr/data/ttasDown.jsp?where=14688&pk_num=TTAT.3G-36.213(R8-8.6.0) |
| Release 9 | | | | | |
| ARIB | ARIB STD-T63-36.213 | 9.3.0 | Approved | Jul 13 | http://www.arib.or.jp/english/html/overview/doc/STD-T63v10_00/2_T63/ARIB-STD-T63/Rel9/36/A36213-930.pdf |
| ATIS | ATIS.3GPP.36.213V930-2012 | 9.3.0 | Approved | Jul 12 | https://www.atis.org/docstore/default.aspx |
| CCSA | CCSA-TSD-DS-36.213 | 9.3.0 | Published | Jun 12 | http://www.ccsa.org.cn/english/tc/files.php?docpath=/ITU-R/M.1457/M.1457-12/DS |
| ETSI | ETSI TS 136 213 | 9.3.0 | Published | Oct 10 | http://www.etsi.org/deliver/etsi_ts/136200_136299/136213/09.03.00_60/ |
| TTA | TTAT.3G-36.213(R9-9.1.0) | 9.1.0 | Approved | Jul 10 | http://www.tta.or.kr/data/ttasDown.jsp?where=14688&pk_num=TTAT.3G-36.213(R9-9.1.0) |
| Release 10 | | | | | |
| ATIS | ATIS.3GPP.36.213V1070-2013 | 10.9.0 | Approved | Jun 13 | https://www.atis.org/docstore/default.aspx |
| CCSA | CCSA-TSD-DS-36.213 | 10.4.0 | Published | Jun 12 | http://www.ccsa.org.cn/english/tc/files.php?docpath=/ITU-R/M.1457/M.1457-12/DS |
| ETSI | ETSI TS 136 213 | 10.9.0 | Published | Apr 13 | http://www.etsi.org/deliver/etsi_ts/136200_136299/136213/10.09.00_60/ |
| TTA | TTAT.3G-36.213(R10-10.5.0) | 10.5.0 | Approved | Aug 12 | http://www.tta.or.kr/data/ttasDown.jsp?where=14688&pk_num=TTAT.3G-36.213(R10-10.5.0) |
| Release 11 | | | | | |
| ATIS | ATIS.3GPP.36.213V1120-2013 | 11.2.0 | Approved | Jun 13 | https://www.atis.org/docstore/default.aspx |
| CCSA | CCSA-TSD-DS-36.213 | 11.6.0 | Published | Jun 14 | http://www.ccsa.org.cn/english/tc/files.php?docpath=/ITU-R/M.1457/M.1457-12/DS |
| ETSI | ETSI TS 136 213 | 11.2.0 | Published | Apr 13 | http://www.etsi.org/deliver/etsi_ts/136200_136299/136213/11.02.00_60/ |
| TTA | TTAT.3G-36.213(R11-11.2.0) | 11.2.0 | published | Aug 13 | http://www.tta.or.kr/data/ttasDown.jsp?where=14688&pk_num=TTAT.3G-36.213(R11-11.2.0) |

5.1.2.6.5 TS 36.214

Evolved Universal Terrestrial Radio Access (E-UTRA); Physical layer; Measurements

This specification describes the measurements done at the UE and network in order to support operation in idle mode and connected mode.

| SDO (2) | Document No. | Version | Status | Issued date | Location (1) |
|-------------------|----------------------------|---------|-----------|-------------|---|
| Release 8 | | | | | |
| ARIB | ARIB STD-T63-36.214 | 8.7.0 | Approved | Jul 13 | http://www.arib.or.jp/english/html/overview/doc/STD-T63v10_00/2_T63/ARIB-STD-T63/Rel8/36/A36214-870.pdf |
| ATIS | ATIS.3GPP.36.214V870-2010 | 8.7.0 | Approved | Jul 10 | https://www.atis.org/docstore/default.aspx |
| CCSA | CCSA-TSD-DS-36.214 | 8.7.0 | Published | Mar 10 | http://www.ccsa.org.cn/english/tc/files.php?docpath=/ITU-R/M.1457/M.1457-12/DS |
| ETSI | ETSI TS 136 214 | 8.7.0 | Published | Oct 09 | http://www.etsi.org/deliver/etsi_ts/136200_136299/136214/08.07.00_60/ |
| TTA | TTAT.3G-36.214(R8-8.6.0) | 8.6.0 | Approved | Jul 09 | http://www.tta.or.kr/data/ttasDown.jsp?where=14688&pk_num=TTAT.3G-36.214(R8-8.6.0) |
| Release 9 | | | | | |
| ARIB | ARIB STD-T63-36.214 | 9.2.0 | Approved | Jul 13 | http://www.arib.or.jp/english/html/overview/doc/STD-T63v10_00/2_T63/ARIB-STD-T63/Rel9/36/A36214-920.pdf |
| ATIS | ATIS.3GPP.36.214V920-2012 | 9.2.0 | Approved | Jul 12 | https://www.atis.org/docstore/default.aspx |
| CCSA | CCSA-TSD-DS-36.214 | 9.2.0 | Published | Jun 12 | http://www.ccsa.org.cn/english/tc/files.php?docpath=/ITU-R/M.1457/M.1457-12/DS |
| ETSI | ETSI TS 136 214 | 9.2.0 | Published | Jun 10 | http://www.etsi.org/deliver/etsi_ts/136200_136299/136214/09.02.00_60/ |
| TTA | TTAT.3G-36.214(R9-9.1.0) | 9.1.0 | Approved | Jul 10 | http://www.tta.or.kr/data/ttasDown.jsp?where=14688&pk_num=TTAT.3G-36.214(R9-9.1.0) |
| Release 10 | | | | | |
| ATIS | ATIS.3GPP.36.214V1010-2011 | 10.1.0 | Approved | Jul 11 | https://www.atis.org/docstore/default.aspx |
| CCSA | CCSA-TSD-DS-36.214 | 10.1.0 | Published | Jun 12 | http://www.ccsa.org.cn/english/tc/files.php?docpath=/ITU-R/M.1457/M.1457-12/DS |
| ETSI | ETSI TS 136 214 | 10.1.0 | Published | Apr 11 | http://www.etsi.org/deliver/etsi_ts/136200_136299/136214/10.01.00_60/ |
| TTA | TTAT.3G-36.214(R10-10.1.0) | 10.1.0 | Approved | Aug 11 | http://www.tta.or.kr/data/ttasDown.jsp?where=14688&pk_num=TTAT.3G-36.214(R10-10.1.0) |
| Release 11 | | | | | |
| ATIS | ATIS.3GPP.36.214V1110-2013 | 11.1.0 | Approved | Jun 13 | https://www.atis.org/docstore/default.aspx |
| CCSA | CCSA-TSD-DS-36.214 | 11.1.0 | Published | Jun 14 | http://www.ccsa.org.cn/english/tc/files.php?docpath=/ITU-R/M.1457/M.1457-12/DS |

| | | | | | |
|------|----------------------------|--------|-----------|--------|---|
| ETSI | ETSI TS 136 214 | 11.1.0 | Published | Feb 13 | http://www.etsi.org/deliver/etsi_ts/136200_136299/136214/11.01.00_60/ |
| TTA | TTAT.3G-36.214(R11-11.1.0) | 11.1.0 | published | Aug 13 | http://www.tta.or.kr/data/ttasDown.jsp?where=14688&pk_num=TTAT.3G-36.214(R11-11.1.0) |

5.1.2.6.6 TS 36.216

Evolved Universal Terrestrial Radio Access (E-UTRA); Physical layer for relaying operation

This document describes the characteristics of eNodeB – relay node transmissions.

| SDO (2) | Document No. | Version | Status | Issued date | Location (1) |
|-------------------|----------------------------|---------|-----------|-------------|---|
| Release 10 | | | | | |
| ATIS | ATIS.3GPP.36.216V1031-2013 | 10.3.1 | Approved | Jun 13 | https://www.atis.org/docstore/default.aspx |
| CCSA | CCSA-TSD-DS-36.216 | 10.3.1 | Published | Jun 12 | http://www.ccsa.org.cn/english/tc/files.php?docpath=/ITU-R/M.1457/M.1457-12/DS |
| ETSI | ETSI TS 136 216 | 10.3.1 | Published | Oct 11 | http://www.etsi.org/deliver/etsi_ts/136200_136299/136216/10.03.01_60/ |
| TTA | TTAT.3G-36.216(R10-10.3.1) | 10.3.1 | Approved | Aug 12 | http://www.tta.or.kr/data/ttasDown.jsp?where=14688&pk_num=TTAT.3G-36.216(R10-10.3.1) |
| Release 11 | | | | | |
| ATIS | ATIS.3GPP.36.216V1100-2013 | 11.0.0 | Approved | Jun 13 | https://www.atis.org/docstore/default.aspx |
| CCSA | CCSA-TSD-DS-36.216 | 11.0.0 | Published | Jun 14 | http://www.ccsa.org.cn/english/tc/files.php?docpath=/ITU-R/M.1457/M.1457-12/DS |
| ETSI | ETSI TS 136 216 | 11.0.0 | Published | Oct 12 | http://www.etsi.org/deliver/etsi_ts/136200_136299/136216/11.00.00_60/ |
| TTA | TTAT.3G-36.216(R11-11.0.0) | 11.0.0 | published | Aug 13 | http://www.tta.or.kr/data/ttasDown.jsp?where=14688&pk_num=TTAT.3G-36.216(R11-11.0.0) |

5.1.2.7 36.300 series

5.1.2.7.1 TS 36.300

Evolved Universal Terrestrial Radio Access (E-UTRA) and Evolved Universal Terrestrial Radio Access Network (E-UTRAN); Overall description; Stage 2

This specification describes an overview and overall description of the E-UTRA radio interface and E-UTRAN architecture and radio interface protocol architecture.

| SDO (2) | Document No. | Version | Status | Issued date | Location (1) |
|------------------|----------------------------|---------|-----------|-------------|---|
| Release 8 | | | | | |
| ARIB | ARIB STD-T63-36.300 | 8.12.0 | Approved | Jul 13 | http://www.arib.or.jp/english/html/overview/doc/STD-T63v10_00/2_T63/ARIB-STD-T63/Rel8/36/A36300-8c0.pdf |
| ATIS | ATIS.3GPP.36.300V8120-2010 | 8.12.0 | Approved | Jul 10 | https://www.atis.org/docstore/default.aspx |
| CCSA | CCSA-TSD-DS-36.300 | 8.12.0 | Published | Jun 12 | http://www.ccsa.org.cn/english/tc/files.php?docpath=/ITU-R/M.1457/M.1457-12/DS |
| ETSI | ETSI TS 136 300 | 8.12.0 | Published | Apr 10 | http://www.etsi.org/deliver/etsi_ts/136300_136399/136300/08.12.00_60/ |
| TTA | TTAT.3G-36.300(R8-8.8.0) | 8.8.0 | Approved | Jul 09 | http://www.tta.or.kr/data/ttasDown.jsp?where=14688&pk_num=TTAT.3G-36.300(R8-8.8.0) |
| Release 9 | | | | | |
| ARIB | ARIB STD-T63-36.300 | 9.10.0 | Approved | Jul 13 | http://www.arib.or.jp/english/html/overview/doc/STD-T63v10_00/2_T63/ARIB-STD-T63/Rel9/36/A36300-9a0.pdf |
| ATIS | ATIS.3GPP.36.300V9100-2014 | 9.10.0 | Approved | May 14 | https://www.atis.org/docstore/default.aspx |
| CCSA | CCSA-TSD-DS-36.300 | 9.9.0 | Published | Jun 12 | http://www.ccsa.org.cn/english/tc/files.php?docpath=/ITU-R/M.1457/M.1457-12/DS |
| ETSI | ETSI TS 136 300 | 9.10.0 | Published | Feb 13 | http://www.etsi.org/deliver/etsi_ts/136300_136399/136300/09.10.00_60/ |

| | | | | | |
|-------------------|----------------------------|--------|-----------|--------|---|
| TTA | TTAT.3G-36.300(R9-9.3.0) | 9.3.0 | Approved | Jul 10 | http://www.tta.or.kr/data/ttasDown.jsp?where=14688&pk_num=TTAT.3G-36.300(R9-9.3.0) |
| Release 10 | | | | | |
| ATIS | ATIS.3GPP.36.300V1090-2013 | 10.9.0 | Approved | Jun 13 | https://www.atis.org/docstore/default.aspx |
| CCSA | CCSA-TSD-DS-36.300 | 10.6.0 | Published | Jun 12 | http://www.ccsa.org.cn/english/tc/files.php?docpath=/ITU-R/M.1457/M.1457-12/DS |
| ETSI | ETSI TS 136 300 | 10.9.0 | Published | Feb 13 | http://www.etsi.org/deliver/etsi_ts/136300_136399/136300/10.09.00_60/ |
| TTA | TTAT.3G-36.300(R10-10.7.0) | 10.7.0 | Approved | Aug 12 | http://www.tta.or.kr/data/ttasDown.jsp?where=14688&pk_num=TTAT.3G-36.300(R10-10.7.0) |
| Release 11 | | | | | |
| ATIS | ATIS.3GPP.36.300V1150-2013 | 11.5.0 | Approved | Jun 13 | https://www.atis.org/docstore/default.aspx |
| CCSA | CCSA-TSD-DS-36.300 | 11.9.0 | Published | Jun 14 | http://www.ccsa.org.cn/english/tc/files.php?docpath=/ITU-R/M.1457/M.1457-12/DS |
| ETSI | ETSI TS 136 300 | 11.5.0 | Published | Apr 13 | http://www.etsi.org/deliver/etsi_ts/136300_136399/136300/11.05.00_60/ |
| TTA | TTAT.3G-36.300(R11-11.5.0) | 11.5.0 | published | Aug 13 | http://www.tta.or.kr/data/ttasDown.jsp?where=14688&pk_num=TTAT.3G-36.300(R11-11.5.0) |

5.1.2.7.2 TS 36.302

Evolved Universal Terrestrial Radio Access (E-UTRA); Services provided by the physical layer

This specification describes the services provided by the physical layer of E-UTRA to upper layers.

| SDO (2) | Document No. | Version | Status | Issued date | Location (1) |
|-------------------|----------------------------|---------|-----------|-------------|---|
| Release 8 | | | | | |
| ARIB | ARIB STD-T63-36.302 | 8.2.1 | Approved | Jul 13 | http://www.arib.or.jp/english/html/overview/doc/STD-T63v10_00/2_T63/ARIB-STD-T63/Rel8/36/A36302-821.pdf |
| ATIS | ATIS.3GPP.36.302V821-2014 | 8.2.1 | Approved | May 14 | https://www.atis.org/docstore/default.aspx |
| CCSA | CCSA-TSD-DS-36.302 | 8.2.1 | Published | Jun 12 | http://www.ccsa.org.cn/english/tc/files.php?docpath=/ITU-R/M.1457/M.1457-12/DS |
| ETSI | ETSI TS 136 302 | 8.2.1 | Published | Jan 12 | http://www.etsi.org/deliver/etsi_ts/136300_136399/136302/08.02.01_60/ |
| TTA | TTAT.3G-36.302(R8-8.1.0) | 8.1.0 | Approved | Jul 09 | http://www.tta.or.kr/data/ttasDown.jsp?where=14688&pk_num=TTAT.3G-36.302(R8-8.1.0) |
| Release 9 | | | | | |
| ARIB | ARIB STD-T63-36.302 | 9.3.1 | Approved | Jul 13 | http://www.arib.or.jp/english/html/overview/doc/STD-T63v10_00/2_T63/ARIB-STD-T63/Rel9/36/A36302-931.pdf |
| ATIS | ATIS.3GPP.36.302V931-2014 | 9.3.1 | Approved | May 14 | https://www.atis.org/docstore/default.aspx |
| CCSA | CCSA-TSD-DS-36.302 | 9.3.1 | Published | Jun 12 | http://www.ccsa.org.cn/english/tc/files.php?docpath=/ITU-R/M.1457/M.1457-12/DS |
| ETSI | ETSI TS 136 302 | 9.3.1 | Published | Jan 12 | http://www.etsi.org/deliver/etsi_ts/136300_136399/136302/09.03.01_60/ |
| TTA | TTAT.3G-36.302(R9-9.1.0) | 9.1.0 | Approved | Jul 10 | http://www.tta.or.kr/data/ttasDown.jsp?where=14688&pk_num=TTAT.3G-36.302(R9-9.1.0) |
| Release 10 | | | | | |
| ATIS | ATIS.3GPP.36.302V1050-2013 | 10.5.0 | Approved | Jun 13 | https://www.atis.org/docstore/default.aspx |
| CCSA | CCSA-TSD-DS-36.302 | 10.3.0 | Published | Jun 12 | http://www.ccsa.org.cn/english/tc/files.php?docpath=/ITU-R/M.1457/M.1457-12/DS |
| ETSI | ETSI TS 136 302 | 10.5.0 | Published | Apr 13 | http://www.etsi.org/deliver/etsi_ts/136300_136399/136302/10.05.00_60/ |
| TTA | TTAT.3G-36.302(R10-10.4.0) | 10.4.0 | Approved | Aug 12 | http://www.tta.or.kr/data/ttasDown.jsp?where=14688&pk_num=TTAT.3G-36.302(R10-10.4.0) |
| Release 11 | | | | | |
| ATIS | ATIS.3GPP.36.302V1120-2013 | 11.2.0 | Approved | Jun 13 | https://www.atis.org/docstore/default.aspx |
| CCSA | CCSA-TSD-DS-36.302 | 11.5.0 | Published | Jun 14 | http://www.ccsa.org.cn/english/tc/files.php?docpath=/ITU-R/M.1457/M.1457-12/DS |
| ETSI | ETSI TS 136 302 | 11.2.0 | Published | Apr 13 | http://www.etsi.org/deliver/etsi_ts/136300_136399/136302/11.02.00_60/ |
| TTA | TTAT.3G-36.302(R11-11.2.0) | 11.2.0 | published | Aug 13 | http://www.tta.or.kr/data/ttasDown.jsp?where=14688&pk_num=TTAT.3G-36.302(R11-11.2.0) |

5.1.2.7.3 TS 36.304

Evolved Universal Terrestrial Radio Access (E-UTRA); User Equipment (UE) procedures in idle mode

This specification describes the Access Stratum (AS) part of the Idle Mode procedures applicable to a UE and the model for the functional division between the NAS and AS in a UE.

| SDO (2) | Document No. | Version | Status | Issued date | Location (1) |
|-------------------|----------------------------|---------|-----------|-------------|---|
| Release 8 | | | | | |
| ARIB | ARIB STD-T63-36.304 | 8.10.0 | Approved | Jul 13 | http://www.arib.or.jp/english/html/overview/doc/STD-T63v10_00/2_T63/ARIB-STD-T63/Rel8/36/A36304-8a0.pdf |
| ATIS | ATIS.3GPP.36.304V8100-2012 | 8.10.0 | Approved | Jul 12 | https://www.atis.org/docstore/default.aspx |
| CCSA | CCSA-TSD-DS-36.304 | 8.10.0 | Published | Jun 12 | http://www.ccsa.org.cn/english/tc/files.php?docpath=/ITU-R/M.1457/M.1457-12/DS |
| ETSI | ETSI TS 136 304 | 8.10.0 | Published | Jun 11 | http://www.etsi.org/deliver/etsi_ts/136300_136399/136304/08.10.00_60/ |
| TTA | TTAT.3G-36.304(R8-8.5.0) | 8.5.0 | Approved | Jul 09 | http://www.tta.or.kr/data/ttasDown.jsp?where=14688&pk_num=TTAT.3G-36.304(R8-8.5.0) |
| Release 9 | | | | | |
| ARIB | ARIB STD-T63-36.304 | 9.11.0 | Approved | Jul 13 | http://www.arib.or.jp/english/html/overview/doc/STD-T63v10_00/2_T63/ARIB-STD-T63/Rel9/36/A36304-9b0.pdf |
| ATIS | ATIS.3GPP.36.304V9110-2014 | 9.11.0 | Approved | May 14 | https://www.atis.org/docstore/default.aspx |
| CCSA | CCSA-TSD-DS-36.304 | 9.9.0 | Published | Jun 12 | http://www.ccsa.org.cn/english/tc/files.php?docpath=/ITU-R/M.1457/M.1457-12/DS |
| ETSI | ETSI TS 136 304 | 9.11.0 | Published | Jul 12 | http://www.etsi.org/deliver/etsi_ts/136300_136399/136304/09.11.00_60/ |
| TTA | TTAT.3G-36.304(R9-9.2.0) | 9.2.0 | Approved | Jul 10 | http://www.tta.or.kr/data/ttasDown.jsp?where=14688&pk_num=TTAT.3G-36.304(R9-9.2.0) |
| Release 10 | | | | | |
| ATIS | ATIS.3GPP.36.304V1060-2013 | 10.6.0 | Approved | Jun 13 | https://www.atis.org/docstore/default.aspx |
| CCSA | CCSA-TSD-DS-36.304 | 10.4.0 | Published | Jun 12 | http://www.ccsa.org.cn/english/tc/files.php?docpath=/ITU-R/M.1457/M.1457-12/DS |
| ETSI | ETSI TS 136 304 | 10.6.0 | Published | Jul 12 | http://www.etsi.org/deliver/etsi_ts/136300_136399/136304/10.06.00_60/ |
| TTA | TTAT.3G-36.304(R10-10.5.0) | 10.5.0 | Approved | Aug 12 | http://www.tta.or.kr/data/ttasDown.jsp?where=14688&pk_num=TTAT.3G-36.304(R10-10.5.0) |
| Release 11 | | | | | |
| ATIS | ATIS.3GPP.36.304V1130-2013 | 11.3.0 | Approved | Jun 13 | https://www.atis.org/docstore/default.aspx |
| CCSA | CCSA-TSD-DS-36.304 | 11.6.0 | Published | Jun 14 | http://www.ccsa.org.cn/english/tc/files.php?docpath=/ITU-R/M.1457/M.1457-12/DS |
| ETSI | ETSI TS 136 304 | 11.3.0 | Published | Apr 13 | http://www.etsi.org/deliver/etsi_ts/136300_136399/136304/11.03.00_60/ |
| TTA | TTAT.3G-36.304(R11-11.3.0) | 11.3.0 | published | Aug 13 | http://www.tta.or.kr/data/ttasDown.jsp?where=14688&pk_num=TTAT.3G-36.304(R11-11.3.0) |

5.1.2.7.4 TS 36.306

Evolved Universal Terrestrial Radio Access (E-UTRA); User Equipment (UE) radio access capabilities

This specification defines the E-UTRA UE Radio Access Capability Parameters.

| SDO (2) | Document No. | Version | Status | Issued date | Location (1) |
|------------------|---------------------------|---------|-----------|-------------|---|
| Release 8 | | | | | |
| ARIB | ARIB STD-T63-36.306 | 8.9.0 | Approved | Jul 13 | http://www.arib.or.jp/english/html/overview/doc/STD-T63v10_00/2_T63/ARIB-STD-T63/Rel8/36/A36306-890.pdf |
| ATIS | ATIS.3GPP.36.306V890-2014 | 8.9.0 | Approved | May 14 | https://www.atis.org/docstore/default.aspx |
| CCSA | CCSA-TSD-DS-36.306 | 8.8.0 | Published | Jun 12 | http://www.ccsa.org.cn/english/tc/files.php?docpath=/ITU-R/M.1457/M.1457-12/DS |
| ETSI | ETSI TS 136 306 | 8.9.0 | Published | Apr 13 | http://www.etsi.org/deliver/etsi_ts/136300_136399/136306/08.09.00_60/ |
| TTA | TTAT.3G-36.306(R8-8.3.0) | 8.3.0 | Approved | Jul 09 | http://www.tta.or.kr/data/ttasDown.jsp?where=14688&pk_num=TTAT.3G-36.306(R8-8.3.0) |

Release 9

| | | | | | |
|------|---------------------------|-------|-----------|--------|---|
| ARIB | ARIB STD-T63-36.306 | 9.8.0 | Approved | Jul 13 | http://www.arib.or.jp/english/html/overview/doc/STD-T63v10_00/2_T63/ARIB-STD-T63/Rel9/36/A36306-980.pdf |
| ATIS | ATIS.3GPP.36.306V980-2014 | 9.8.0 | Approved | May 14 | https://www.atis.org/docstore/default.aspx |
| CCSA | CCSA-TSD-DS-36.306 | 9.6.0 | Published | Jun 12 | http://www.ccsa.org.cn/english/tc/files.php?docpath=/ITU-R/M.1457/M.1457-12/DS |
| ETSI | ETSI TS 136 306 | 9.8.0 | Published | Apr 13 | http://www.etsi.org/deliver/etsi_ts/136300_136399/136306/09.08.00_60/ |
| TTA | TTAT.3G-36.306(R9-9.1.0) | 9.1.0 | Approved | Jul 10 | http://www.tta.or.kr/data/ttasDown.jsp?where=14688&pk_num=TTAT.3G-36.306(R9-9.1.0) |

Release 10

| | | | | | |
|------|----------------------------|--------|-----------|--------|---|
| ATIS | ATIS.3GPP.36.306V1090-2013 | 10.9.0 | Approved | Jun 13 | https://www.atis.org/docstore/default.aspx |
| CCSA | CCSA-TSD-DS-36.306 | 10.4.0 | Published | Jun 12 | http://www.ccsa.org.cn/english/tc/files.php?docpath=/ITU-R/M.1457/M.1457-12/DS |
| ETSI | ETSI TS 136 306 | 10.9.0 | Published | Apr 13 | http://www.etsi.org/deliver/etsi_ts/136300_136399/136306/10.09.00_60/ |
| TTA | TTAT.3G-36.306(R10-10.5.0) | 10.5.0 | Approved | Aug 12 | http://www.tta.or.kr/data/ttasDown.jsp?where=14688&pk_num=TTAT.3G-36.306(R10-10.5.0) |

Release 11

| | | | | | |
|------|----------------------------|--------|-----------|--------|---|
| ATIS | ATIS.3GPP.36.306V1130-2013 | 11.3.0 | Approved | Jun 13 | https://www.atis.org/docstore/default.aspx |
| CCSA | CCSA-TSD-DS-36.306 | 11.6.0 | Published | Jun 14 | http://www.ccsa.org.cn/english/tc/files.php?docpath=/ITU-R/M.1457/M.1457-12/DS |
| ETSI | ETSI TS 136 306 | 11.3.0 | Published | Apr 13 | http://www.etsi.org/deliver/etsi_ts/136300_136399/136306/11.03.00_60/ |
| TTA | TTAT.3G-36.306(R11-11.3.0) | 11.3.0 | published | Aug 13 | http://www.tta.or.kr/data/ttasDown.jsp?where=14688&pk_num=TTAT.3G-36.306(R11-11.3.0) |

5.1.2.7.5 TS 36.307**Evolved Universal Terrestrial Radio Access (E-UTRA); Requirements on User Equipments (UEs) supporting a release-independent frequency band**

This document specifies requirements on UEs supporting a frequency band and inter-band/intra-band CA configurations that are independent of release.

| SDO (2) | Document No. | Version | Status | Issued date | Location (1) |
|-------------------|----------------------------|---------|-----------|-------------|---|
| Release 8 | | | | | |
| ARIB | ARIB STD-T63-36.307 | 8.7.0 | Approved | Jul 13 | http://www.arib.or.jp/english/html/overview/doc/STD-T63v10_00/2_T63/ARIB-STD-T63/Rel8/36/A36307-870.pdf |
| CCSA | CCSA-TSD-DS-36.307 | 8.4.0 | Published | Jun 12 | http://www.ccsa.org.cn/english/tc/files.php?docpath=/ITU-R/M.1457/M.1457-12/DS |
| ETSI | ETSI TS 136 307 | 8.7.0 | Published | Nov 12 | http://www.etsi.org/deliver/etsi_ts/136300_136399/136307/08.07.00_60/ |
| Release 9 | | | | | |
| ARIB | ARIB STD-T63-36.307 | 9.7.0 | Approved | Jul 13 | http://www.arib.or.jp/english/html/overview/doc/STD-T63v10_00/2_T63/ARIB-STD-T63/Rel9/36/A36307-970.pdf |
| ATIS | ATIS.3GPP.36.307V970-2014 | 9.7.0 | Approved | May 14 | https://www.atis.org/docstore/default.aspx |
| CCSA | CCSA-TSD-DS-36.307 | 9.4.0 | Published | Jun 12 | http://www.ccsa.org.cn/english/tc/files.php?docpath=/ITU-R/M.1457/M.1457-12/DS |
| ETSI | ETSI TS 136 307 | 9.7.0 | Published | Nov 12 | http://www.etsi.org/deliver/etsi_ts/136300_136399/136307/09.07.00_60/ |
| TTA | TTAT.3G-36.307(R9-9.0.0) | 9.0.0 | Approved | Jul 10 | http://www.tta.or.kr/data/ttasDown.jsp?where=14688&pk_num=TTAT.3G-36.307(R9-9.0.0) |
| Release 10 | | | | | |
| ATIS | ATIS.3GPP.36.307V1060-2013 | 10.6.0 | Approved | Jun 13 | https://www.atis.org/docstore/default.aspx |
| CCSA | CCSA-TSD-DS-36.307 | 10.2.0 | Published | Jun 12 | http://www.ccsa.org.cn/english/tc/files.php?docpath=/ITU-R/M.1457/M.1457-12/DS |
| ETSI | ETSI TS 136 307 | 10.6.0 | Published | Feb 13 | http://www.etsi.org/deliver/etsi_ts/136300_136399/136307/10.06.00_60/ |
| TTA | TTAT.3G-36.307(R10-10.3.0) | 10.3.0 | Approved | Aug 12 | http://www.tta.or.kr/data/ttasDown.jsp?where=14688&pk_num=TTAT.3G-36.307(R10-10.3.0) |
| Release 11 | | | | | |
| ATIS | ATIS.3GPP.36.307V1130-2013 | 11.3.0 | Approved | Jun 13 | https://www.atis.org/docstore/default.aspx |
| CCSA | CCSA-TSD-DS-36.307 | 11.7.0 | Published | Jun 14 | http://www.ccsa.org.cn/english/tc/files.php?docpath=/ITU-R/M.1457/M.1457-12/DS |
| ETSI | ETSI TS 136 307 | 11.3.0 | Published | Feb 13 | http://www.etsi.org/deliver/etsi_ts/136300_136399/136307/11.03.00_60/ |
| TTA | TTAT.3G-36.307(R11-11.3.0) | 11.3.0 | published | Aug 13 | http://www.tta.or.kr/data/ttasDown.jsp?where=14688&pk_num=TTAT.3G-36.307(R11-11.3.0) |

5.1.2.7.6 TS 36.314

Evolved Universal Terrestrial Radio Access (E-UTRA); Layer 2 – Measurements

This document contains the description and definition of the measurements performed by E-UTRAN that are transferred over the standardised interfaces in order to support E-UTRA radio link operations, radio resource management (RRM), network operations and maintenance (OAM), and self-organising networks (SON).

| SDO (2) | Document No. | Version | Status | Issued date | Location (1) |
|-------------------|----------------------------|---------|-----------|-------------|---|
| Release 8 | | | | | |
| ARIB | ARIB STD-T63-36.314 | 8.3.0 | Approved | Jul 13 | http://www.arib.or.jp/english/html/overview/doc/STD-T63v10_00/2_T63/ARIB-STD-T63/Rel8/36/A36314-830.pdf |
| ATIS | ATIS.3GPP.36.314V830-2010 | 8.3.0 | Approved | Jul 10 | https://www.atis.org/docstore/default.aspx |
| CCSA | CCSA-TSD-DS-36.314 | 8.3.0 | Published | Mar 10 | http://www.ccsa.org.cn/english/tc/files.php?docpath=/ITU-R/M.1457/M.1457-12/DS |
| ETSI | ETSI TS 136 314 | 8.3.0 | Published | Feb 10 | http://www.etsi.org/deliver/etsi_ts/136300_136399/136314/08.03.00_60/ |
| TTA | TTAT.3G-36.314(R8-8.1.0) | 8.1.0 | Approved | Jul 09 | http://www.tta.or.kr/data/ttasDown.jsp?where=14688&pk_num=TTAT.3G-36.314(R8-8.1.0) |
| Release 9 | | | | | |
| ARIB | ARIB STD-T63-36.314 | 9.1.0 | Approved | Jul 13 | http://www.arib.or.jp/english/html/overview/doc/STD-T63v10_00/2_T63/ARIB-STD-T63/Rel9/36/A36314-910.pdf |
| ATIS | ATIS.3GPP.36.314V910-2012 | 9.1.0 | Approved | Jul 12 | https://www.atis.org/docstore/default.aspx |
| CCSA | CCSA-TSD-DS-36.314 | 9.1.0 | Published | Jun 12 | http://www.ccsa.org.cn/english/tc/files.php?docpath=/ITU-R/M.1457/M.1457-12/DS |
| ETSI | ETSI TS 136 314 | 9.1.0 | Published | Jul 10 | http://www.etsi.org/deliver/etsi_ts/136300_136399/136314/09.01.00_60/ |
| TTA | TTAT.3G-36.314(R9-9.0.0) | 9.0.0 | Approved | Jul 10 | http://www.tta.or.kr/data/ttasDown.jsp?where=14688&pk_num=TTAT.3G-36.314(R9-9.0.0) |
| Release 10 | | | | | |
| ATIS | ATIS.3GPP.36.314V1020-2013 | 10.2.0 | Approved | Jun 13 | https://www.atis.org/docstore/default.aspx |
| CCSA | CCSA-TSD-DS-36.314 | 10.2.0 | Published | Jun 12 | http://www.ccsa.org.cn/english/tc/files.php?docpath=/ITU-R/M.1457/M.1457-12/DS |
| ETSI | ETSI TS 136 314 | 10.2.0 | Published | Nov 11 | http://www.etsi.org/deliver/etsi_ts/136300_136399/136314/10.02.00_60/ |
| TTA | TTAT.3G-36.314(R10-10.2.0) | 10.2.0 | Approved | Aug 12 | http://www.tta.or.kr/data/ttasDown.jsp?where=14688&pk_num=TTAT.3G-36.314(R10-10.2.0) |
| Release 11 | | | | | |
| ATIS | ATIS.3GPP.36.314V1110-2013 | 11.1.0 | Approved | Jun 13 | https://www.atis.org/docstore/default.aspx |
| CCSA | CCSA-TSD-DS-36.314 | 11.1.0 | Published | Jun 14 | http://www.ccsa.org.cn/english/tc/files.php?docpath=/ITU-R/M.1457/M.1457-12/DS |
| ETSI | ETSI TS 136 314 | 11.1.0 | Published | Feb 13 | http://www.etsi.org/deliver/etsi_ts/136300_136399/136314/11.01.00_60/ |
| TTA | TTAT.3G-36.314(R11-11.1.0) | 11.1.0 | published | Aug 13 | http://www.tta.or.kr/data/ttasDown.jsp?where=14688&pk_num=TTAT.3G-36.314(R11-11.1.0) |

5.1.2.7.7 TS 36.321

Evolved Universal Terrestrial Radio Access (E-UTRA); Medium Access Control (MAC) protocol specification

This specification describes the E-UTRA MAC protocol.

| SDO (2) | Document No. | Version | Status | Issued date | Location (1) |
|------------------|----------------------------|---------|-----------|-------------|---|
| Release 8 | | | | | |
| ARIB | ARIB STD-T63-36.321 | 8.12.0 | Approved | Jul 13 | http://www.arib.or.jp/english/html/overview/doc/STD-T63v10_00/2_T63/ARIB-STD-T63/Rel8/36/A36321-8c0.pdf |
| ATIS | ATIS.3GPP.36.321V8120-2014 | 8.12.0 | Approved | May 14 | https://www.atis.org/docstore/default.aspx |
| CCSA | CCSA-TSD-DS-36.321 | 8.11.0 | Published | Jun 12 | http://www.ccsa.org.cn/english/tc/files.php?docpath=/ITU-R/M.1457/M.1457-12/DS |
| ETSI | ETSI TS 136 321 | 8.12.0 | Published | Mar 12 | http://www.etsi.org/deliver/etsi_ts/136300_136399/136321/08.12.00_60/ |

| | | | | | |
|-------------------|----------------------------|--------|-----------|--------|---|
| TTA | TTAT.3G-36.321(R8-8.5.0) | 8.5.0 | Approved | Jul 09 | http://www.tta.or.kr/data/ttasDown.jsp?where=14688&pk_num=TTAT.3G-36.321(R8-8.5.0) |
| Release 9 | | | | | |
| ARIB | ARIB STD-T63-36.321 | 9.6.0 | Approved | Jul 13 | http://www.arib.or.jp/english/html/overview/doc/STD-T63v10_00/2_T63/ARIB-STD-T63/Rel9/36/A36321-960.pdf |
| ATIS | ATIS.3GPP.36.321V960-2014 | 9.6.0 | Approved | May 14 | https://www.atis.org/docstore/default.aspx |
| CCSA | CCSA-TSD-DS-36.321 | 9.5.0 | Published | Jun 12 | http://www.ccsa.org.cn/english/tc/files.php?docpath=/ITU-R/M.1457/M.1457-12/DS |
| ETSI | ETSI TS 136 321 | 9.6.0 | Published | Mar 12 | http://www.etsi.org/deliver/etsi_ts/136300_136399/136321/09.06.00_60/ |
| TTA | TTAT.3G-36.321(R9-9.2.0) | 9.2.0 | Approved | Jul 10 | http://www.tta.or.kr/data/ttasDown.jsp?where=14688&pk_num=TTAT.3G-36.321(R9-9.2.0) |
| Release 10 | | | | | |
| ATIS | ATIS.3GPP.36.321V1080-2013 | 10.8.0 | Approved | Jun 13 | https://www.atis.org/docstore/default.aspx |
| CCSA | CCSA-TSD-DS-36.321 | 10.4.0 | Published | Jun 12 | http://www.ccsa.org.cn/english/tc/files.php?docpath=/ITU-R/M.1457/M.1457-12/DS |
| ETSI | ETSI TS 136 321 | 10.8.0 | Published | Apr 13 | http://www.etsi.org/deliver/etsi_ts/136300_136399/136321/10.08.00_60/ |
| TTA | TTAT.3G-36.321(R10-10.5.0) | 10.5.0 | Approved | Aug 12 | http://www.tta.or.kr/data/ttasDown.jsp?where=14688&pk_num=TTAT.3G-36.321(R10-10.5.0) |
| Release 11 | | | | | |
| ATIS | ATIS.3GPP.36.321V1120-2013 | 11.2.0 | Approved | Jun 13 | https://www.atis.org/docstore/default.aspx |
| CCSA | CCSA-TSD-DS-36.321 | 11.5.0 | Published | Jun 14 | http://www.ccsa.org.cn/english/tc/files.php?docpath=/ITU-R/M.1457/M.1457-12/DS |
| ETSI | ETSI TS 136 321 | 11.2.0 | Published | Apr 13 | http://www.etsi.org/deliver/etsi_ts/136300_136399/136321/11.02.00_60/ |
| TTA | TTAT.3G-36.321(R11-11.2.0) | 11.2.0 | published | Aug 13 | http://www.tta.or.kr/data/ttasDown.jsp?where=14688&pk_num=TTAT.3G-36.321(R11-11.2.0) |

5.1.2.7.8 TS 36.322

Evolved Universal Terrestrial Radio Access (E-UTRA); Radio Link Control (RLC) protocol specification

This specification describes the E-UTRA Radio Link Control (RLC) protocol.

| SDO (2) | Document No. | Version | Status | Issued date | Location (1) |
|-------------------|----------------------------|---------|-----------|-------------|---|
| Release 8 | | | | | |
| ARIB | ARIB STD-T63-36.322 | 8.8.0 | Approved | Jul 13 | http://www.arib.or.jp/english/html/overview/doc/STD-T63v10_00/2_T63/ARIB-STD-T63/Rel8/36/A36322-880.pdf |
| ATIS | ATIS.3GPP.36.322V880-2012 | 8.8.0 | Approved | Jul 12 | https://www.atis.org/docstore/default.aspx |
| CCSA | CCSA-TSD-DS-36.322 | 8.8.0 | Published | Jun 12 | http://www.ccsa.org.cn/english/tc/files.php?docpath=/ITU-R/M.1457/M.1457-12/DS |
| ETSI | ETSI TS 136 322 | 8.8.0 | Published | Jul 10 | http://www.etsi.org/deliver/etsi_ts/136300_136399/136322/08.08.00_60/ |
| TTA | TTAT.3G-36.322(R8-8.5.0) | 8.5.0 | Approved | Jul 09 | http://www.tta.or.kr/data/ttasDown.jsp?where=14688&pk_num=TTAT.3G-36.322(R8-8.5.0) |
| Release 9 | | | | | |
| ARIB | ARIB STD-T63-36.322 | 9.3.0 | Approved | Jul 13 | http://www.arib.or.jp/english/html/overview/doc/STD-T63v10_00/2_T63/ARIB-STD-T63/Rel9/36/A36322-930.pdf |
| ATIS | ATIS.3GPP.36.322V930-2012 | 9.3.0 | Approved | Jul 12 | https://www.atis.org/docstore/default.aspx |
| CCSA | CCSA-TSD-DS-36.322 | 9.3.0 | Published | Jun 12 | http://www.ccsa.org.cn/english/tc/files.php?docpath=/ITU-R/M.1457/M.1457-12/DS |
| ETSI | ETSI TS 136 322 | 9.3.0 | Published | Oct 10 | http://www.etsi.org/deliver/etsi_ts/136300_136399/136322/09.03.00_60/ |
| TTA | TTAT.3G-36.322(R9-9.1.0) | 9.1.0 | Approved | Jul 10 | http://www.tta.or.kr/data/ttasDown.jsp?where=14688&pk_num=TTAT.3G-36.322(R9-9.1.0) |
| Release 10 | | | | | |
| ATIS | ATIS.3GPP.36.322V1000-2011 | 10.0.0 | Approved | Jul 11 | https://www.atis.org/docstore/default.aspx |
| CCSA | CCSA-TSD-DS-36.322 | 10.0.0 | Published | Jun 12 | http://www.ccsa.org.cn/english/tc/files.php?docpath=/ITU-R/M.1457/M.1457-12/DS |
| ETSI | ETSI TS 136 322 | 10.0.0 | Published | Jan 11 | http://www.etsi.org/deliver/etsi_ts/136300_136399/136322/10.00.00_60/ |
| TTA | TTAT.3G-36.322(R10-10.0.0) | 10.0.0 | Approved | Aug 11 | http://www.tta.or.kr/data/ttasDown.jsp?where=14688&pk_num=TTAT.3G-36.322(R10-10.0.0) |
| Release 11 | | | | | |
| ATIS | ATIS.3GPP.36.322V1100-2013 | 11.0.0 | Approved | Jun 13 | https://www.atis.org/docstore/default.aspx |
| CCSA | CCSA-TSD-DS-36.322 | 11.0.0 | Published | Jun 14 | http://www.ccsa.org.cn/english/tc/files.php?docpath=/ITU-R/M.1457/M.1457-12/DS |

| | | | | | |
|------|----------------------------|--------|-----------|--------|---|
| ETSI | ETSI TS 136 322 | 11.0.0 | Published | Oct 12 | http://www.etsi.org/deliver/etsi_ts/136300_136399/136322/11.00.00_60/ |
| TTA | TTAT.3G-36.322(R11-11.0.0) | 11.0.0 | published | Aug 13 | http://www.tta.or.kr/data/ttasDown.jsp?where=14688&pk_num=TTAT.3G-36.322(R11-11.0.0) |

5.1.2.7.9 TS 36.323

Evolved Universal Terrestrial Radio Access (E-UTRA); Packet Data Convergence Protocol (PDCP) specification

This specification describes the Packet Data Convergence Protocol (PDCP).

| SDO (2) | Document No. | Version | Status | Issued date | Location (1) |
|-------------------|----------------------------|---------|-----------|-------------|---|
| Release 8 | | | | | |
| ARIB | ARIB STD-T63-36.323 | 8.6.0 | Approved | Jul 13 | http://www.arib.or.jp/english/html/overview/doc/STD-T63v10_00/2_T63/ARIB-STD-T63/Rel8/36/A36323-860.pdf |
| ATIS | ATIS.3GPP.36.323V860-2010 | 8.6.0 | Approved | Jul 10 | https://www.atis.org/docstore/default.aspx |
| CCSA | CCSA-TSD-DS-36.323 | 8.6.0 | Published | Mar 10 | http://www.ccsa.org.cn/english/tc/files.php?docpath=/ITU-R/M.1457/M.1457-12/DS |
| ETSI | ETSI TS 136 323 | 8.6.0 | Published | Jul 09 | http://www.etsi.org/deliver/etsi_ts/136300_136399/136323/08.06.00_60/ |
| TTA | TTAT.3G-36.323(R8-8.5.0) | 8.5.0 | Approved | Jul 09 | http://www.tta.or.kr/data/ttasDown.jsp?where=14688&pk_num=TTAT.3G-36.323(R8-8.5.0) |
| Release 9 | | | | | |
| ARIB | ARIB STD-T63-36.323 | 9.0.0 | Approved | Jul 13 | http://www.arib.or.jp/english/html/overview/doc/STD-T63v10_00/2_T63/ARIB-STD-T63/Rel9/36/A36323-900.pdf |
| ATIS | ATIS.3GPP.36.323V900-2010 | 9.0.0 | Approved | Jul 10 | https://www.atis.org/docstore/default.aspx |
| CCSA | CCSA-TSD-DS-36.323 | 9.0.0 | Published | Mar 10 | http://www.ccsa.org.cn/english/tc/files.php?docpath=/ITU-R/M.1457/M.1457-12/DS |
| ETSI | ETSI TS 136 323 | 9.0.0 | Published | Feb 10 | http://www.etsi.org/deliver/etsi_ts/136300_136399/136323/09.00.00_60/ |
| TTA | TTAT.3G-36.323(R9-9.0.0) | 9.0.0 | Approved | Jul 10 | http://www.tta.or.kr/data/ttasDown.jsp?where=14688&pk_num=TTAT.3G-36.323(R9-9.0.0) |
| Release 10 | | | | | |
| ATIS | ATIS.3GPP.36.323V1020-2013 | 10.2.0 | Approved | Jun 13 | https://www.atis.org/docstore/default.aspx |
| CCSA | CCSA-TSD-DS-36.323 | 10.1.0 | Published | Jun 12 | http://www.ccsa.org.cn/english/tc/files.php?docpath=/ITU-R/M.1457/M.1457-12/DS |
| ETSI | ETSI TS 136 323 | 10.2.0 | Published | Feb 13 | http://www.etsi.org/deliver/etsi_ts/136300_136399/136323/10.02.00_60/ |
| TTA | TTAT.3G-36.323(R10-10.1.0) | 10.1.0 | Approved | Aug 11 | http://www.tta.or.kr/data/ttasDown.jsp?where=14688&pk_num=TTAT.3G-36.323(R10-10.1.0) |
| Release 11 | | | | | |
| ATIS | ATIS.3GPP.36.323V1120-2013 | 11.2.0 | Approved | Jun 13 | https://www.atis.org/docstore/default.aspx |
| CCSA | CCSA-TSD-DS-36.323 | 11.1.0 | Published | Jun 14 | http://www.ccsa.org.cn/english/tc/files.php?docpath=/ITU-R/M.1457/M.1457-12/DS |
| ETSI | ETSI TS 136 323 | 11.2.0 | Published | Apr 13 | http://www.etsi.org/deliver/etsi_ts/136300_136399/136323/11.02.00_60/ |
| TTA | TTAT.3G-36.323(R11-11.2.0) | 11.2.0 | published | Aug 13 | http://www.tta.or.kr/data/ttasDown.jsp?where=14688&pk_num=TTAT.3G-36.323(R11-11.2.0) |

5.1.2.7.10 TS 36.331

Evolved Universal Terrestrial Radio Access (E-UTRA); Radio Resource Control (RRC); Protocol specification

This specification describes the Radio Resource Control protocol for the UE-eUTRAN radio interface.

| SDO (2) | Document No. | Version | Status | Issued date | Location (1) |
|------------------|----------------------------|---------|-----------|-------------|---|
| Release 8 | | | | | |
| ARIB | ARIB STD-T63-36.331 | 8.19.0 | Approved | Jul 13 | http://www.arib.or.jp/english/html/overview/doc/STD-T63v10_00/2_T63/ARIB-STD-T63/Rel8/36/A36331-8j0.pdf |
| ATIS | ATIS.3GPP.36.331V8190-2014 | 8.19.0 | Approved | May 14 | https://www.atis.org/docstore/default.aspx |
| CCSA | CCSA-TSD-DS-36.331 | 8.16.0 | Published | Jun 12 | http://www.ccsa.org.cn/english/tc/files.php?docpath=/ITU-R/M.1457/M.1457-12/DS |

| | | | | | |
|-------------------|----------------------------|--------|-----------|--------|---|
| ETSI | ETSI TS 136 331 | 8.19.0 | Published | Apr 13 | http://www.etsi.org/deliver/etsi_ts/136300_136399/136331/08.19.00_60/ |
| TTA | TTAT.3G-36.331(R8-8.5.0) | 8.5.0 | Approved | Jul 09 | http://www.tta.or.kr/data/ttasDown.jsp?where=14688&pk_num=TTAT.3G-36.331(R8-8.5.0) |
| Release 9 | | | | | |
| ARIB | ARIB STD-T63-36.331 | 9.14.1 | Approved | Jul 13 | http://www.arib.or.jp/english/html/overview/doc/STD-T63v10_00/2_T63/ARIB-STD-T63/Rel9/36/A36331-9e1.pdf |
| ATIS | ATIS.3GPP.36.331V9141-2014 | 9.14.1 | Approved | May 14 | https://www.atis.org/docstore/default.aspx |
| CCSA | CCSA-TSD-DS-36.331 | 9.9.0 | Published | Jun 12 | http://www.ccsa.org.cn/english/tc/files.php?docpath=/ITU-R/M.1457/M.1457-12/DS |
| ETSI | ETSI TS 136 331 | 9.14.1 | Published | Apr 13 | http://www.etsi.org/deliver/etsi_ts/136300_136399/136331/09.14.01_60/ |
| TTA | TTAT.3G-36.331(R9-9.2.0) | 9.2.0 | Approved | Jul 10 | http://www.tta.or.kr/data/ttasDown.jsp?where=14688&pk_num=TTAT.3G-36.331(R9-9.2.0) |
| Release 10 | | | | | |
| ATIS | ATIS.3GPP.36.331V1090-2013 | 10.9.0 | Approved | Jun 13 | https://www.atis.org/docstore/default.aspx |
| CCSA | CCSA-TSD-DS-36.331 | 10.4.0 | Published | Jun 12 | http://www.ccsa.org.cn/english/tc/files.php?docpath=/ITU-R/M.1457/M.1457-12/DS |
| ETSI | ETSI TS 136 331 | 10.9.0 | Published | Apr 13 | http://www.etsi.org/deliver/etsi_ts/136300_136399/136331/10.09.00_60/ |
| TTA | TTAT.3G-36.331(R10-10.5.0) | 10.5.0 | Approved | Aug 12 | http://www.tta.or.kr/data/ttasDown.jsp?where=14688&pk_num=TTAT.3G-36.331(R10-10.5.0) |
| Release 11 | | | | | |
| ATIS | ATIS.3GPP.36.331V1130-2013 | 11.3.0 | Approved | Jun 13 | https://www.atis.org/docstore/default.aspx |
| CCSA | CCSA-TSD-DS-36.331 | 11.7.0 | Published | Jun 14 | http://www.ccsa.org.cn/english/tc/files.php?docpath=/ITU-R/M.1457/M.1457-12/DS |
| ETSI | ETSI TS 136 331 | 11.3.0 | Published | Apr 13 | http://www.etsi.org/deliver/etsi_ts/136300_136399/136331/11.03.00_60/ |
| TTA | TTAT.3G-36.331(R11-11.3.0) | 11.3.0 | published | Aug 13 | http://www.tta.or.kr/data/ttasDown.jsp?where=14688&pk_num=TTAT.3G-36.331(R11-11.3.0) |

5.1.2.7.11 TS 36.305

Evolved Universal Terrestrial Radio Access Network (E-UTRAN); Stage 2 functional specification of User Equipment (UE) positioning in E-UTRAN

This document specifies the stage 2 of the UE positioning function of E-UTRAN, which provides the mechanisms to support or assist the calculation of the geographical position of a UE. The purpose of this stage 2 specification is to define the E-UTRAN UE Positioning architecture, functional entities and operations to support positioning methods. This description is confined to the E-UTRAN Access Stratum. This stage 2 specification covers the E-UTRAN positioning methods, state descriptions, and message flows to support UE positioning.

| SDO (2) | Document No. | Version | Status | Issued date | Location (1) |
|-------------------|----------------------------|---------|-----------|-------------|---|
| Release 9 | | | | | |
| ARIB | ARIB STD-T63-36.305 | 9.10.0 | Approved | Jul 13 | http://www.arib.or.jp/english/html/overview/doc/STD-T63v10_00/2_T63/ARIB-STD-T63/Rel9/36/A36305-9a0.pdf |
| CCSA | CCSA-TSD-DS-36.305 | 9.8.0 | Published | Jun 12 | http://www.ccsa.org.cn/english/tc/files.php?docpath=/ITU-R/M.1457/M.1457-12/DS |
| ETSI | ETSI TS 136 305 | 9.10.0 | Published | Feb 13 | http://www.etsi.org/deliver/etsi_ts/136300_136399/136305/09.10.00_60/ |
| Release 10 | | | | | |
| ATIS | ATIS.3GPP.36.305V1050-2013 | 10.5.0 | Approved | Jun 13 | https://www.atis.org/docstore/default.aspx |
| CCSA | CCSA-TSD-DS-36.305 | 10.3.0 | Published | Jun 12 | http://www.ccsa.org.cn/english/tc/files.php?docpath=/ITU-R/M.1457/M.1457-12/DS |
| ETSI | ETSI TS 136 305 | 10.5.0 | Published | Feb 13 | http://www.etsi.org/deliver/etsi_ts/136300_136399/136305/10.05.00_60/ |
| TTA | TTAT.3G-36.305(R10-10.3.0) | 10.3.0 | Approved | Aug 12 | http://www.tta.or.kr/data/ttasDown.jsp?where=14688&pk_num=TTAT.3G-36.305(R10-10.3.0) |
| Release 11 | | | | | |
| ATIS | ATIS.3GPP.36.305V1130-2013 | 11.3.0 | Approved | Jun 13 | https://www.atis.org/docstore/default.aspx |
| CCSA | CCSA-TSD-DS-36.305 | 11.3.0 | Published | Jun 14 | http://www.ccsa.org.cn/english/tc/files.php?docpath=/ITU-R/M.1457/M.1457-12/DS |
| ETSI | ETSI TS 136 305 | 11.3.0 | Published | Apr 13 | http://www.etsi.org/deliver/etsi_ts/136300_136399/136305/11.03.00_60/ |

TTA TTAT.3G-36.305(R11-11.3.0) 11.3.0 published Aug 13 [http://www.tta.or.kr/data/ttasDown.jsp?where=14688&pk_num=TTAT.3G-36.305\(R11-11.3.0\)](http://www.tta.or.kr/data/ttasDown.jsp?where=14688&pk_num=TTAT.3G-36.305(R11-11.3.0))

5.1.2.7.12 TS 36.355

Evolved Universal Terrestrial Radio Access (E-UTRA); LTE Positioning Protocol (LPP)

This document contains the definition of the LTE Positioning Protocol (LPP).

| SDO (2) | Document No. | Version | Status | Issued date | Location (1) |
|-------------------|----------------------------|---------|-----------|-------------|---|
| Release 9 | | | | | |
| ARIB | ARIB STD-T63-36.355 | 9.10.0 | Approved | Jul 13 | http://www.arib.or.jp/english/html/overview/doc/STD-T63v10_00/2_T63/ARIB-STD-T63/Rel9/36/A36355-9a0.pdf |
| CCSA | CCSA-TSD-DS-36.355 | 9.8.0 | Published | Jun 12 | http://www.ccsa.org.cn/english/tc/files.php?docpath=/ITU-R/M.1457/M.1457-12/DS |
| ETSI | ETSI TS 136 355 | 9.10.0 | Published | Apr 13 | http://www.etsi.org/deliver/etsi_ts/136300_136399/136355/09.10.00_60/ |
| Release 10 | | | | | |
| ATIS | ATIS.3GPP.36.355V1080-2013 | 10.8.0 | Approved | Jun 13 | https://www.atis.org/docstore/default.aspx |
| CCSA | CCSA-TSD-DS-36.355 | 10.4.0 | Published | Jun 12 | http://www.ccsa.org.cn/english/tc/files.php?docpath=/ITU-R/M.1457/M.1457-12/DS |
| ETSI | ETSI TS 136 355 | 10.8.0 | Published | Apr 13 | http://www.etsi.org/deliver/etsi_ts/136300_136399/136355/10.08.00_60/ |
| TTA | TTAT.3G-36.355(R10-10.4.0) | 10.4.0 | Approved | Aug 12 | http://www.tta.or.kr/data/ttasDown.jsp?where=14688&pk_num=TTAT.3G-36.355(R10-10.4.0) |
| Release 11 | | | | | |
| ATIS | ATIS.3GPP.36.355V1120-2013 | 11.2.0 | Approved | Jun 13 | https://www.atis.org/docstore/default.aspx |
| CCSA | CCSA-TSD-DS-36.355 | 11.4.0 | Published | Jun 14 | http://www.ccsa.org.cn/english/tc/files.php?docpath=/ITU-R/M.1457/M.1457-12/DS |
| ETSI | ETSI TS 136 355 | 11.2.0 | Published | Apr 13 | http://www.etsi.org/deliver/etsi_ts/136300_136399/136355/11.02.00_60/ |
| TTA | TTAT.3G-36.355(R11-11.2.0) | 11.2.0 | published | Aug 13 | http://www.tta.or.kr/data/ttasDown.jsp?where=14688&pk_num=TTAT.3G-36.355(R11-11.2.0) |

5.1.2.8 36.400 series

5.1.2.8.1 TS 36.401

Evolved Universal Terrestrial Radio Access Network (E-UTRAN); Architecture description

This specification describes the overall architecture of the EUTRAN, including internal interfaces and assumptions on the radio, S1 and X2 interfaces.

| SDO (2) | Document No. | Version | Status | Issued date | Location (1) |
|------------------|---------------------------|---------|-----------|-------------|---|
| Release 8 | | | | | |
| ATIS | ATIS.3GPP.36.401V880-2012 | 8.8.0 | Approved | Jul 12 | https://www.atis.org/docstore/default.aspx |
| CCSA | CCSA-TSD-DS-36.401 | 8.8.0 | Published | Jun 12 | http://www.ccsa.org.cn/english/tc/files.php?docpath=/ITU-R/M.1457/M.1457-12/DS |
| ETSI | ETSI TS 136 401 | 8.8.0 | Published | Jun 10 | http://www.etsi.org/deliver/etsi_ts/136400_136499/136401/08.08.00_60/ |
| TTA | TTAT.3G-36.401(R8-8.5.0) | 8.5.0 | Approved | Jul 09 | http://www.tta.or.kr/data/ttasDown.jsp?where=14688&pk_num=TTAT.3G-36.401(R8-8.5.0) |
| TTC | TS-3GA-36.401(Rel8)v8.8.0 | 8.8.0 | Approved | Apr 11 | http://www.ttc.or.jp/j/document_list/free/3gpps2011/TS/TS-3GA-36.401(Rel8)v8.8.0.pdf |
| Release 9 | | | | | |
| ATIS | ATIS.3GPP.36.401V921-2012 | 9.2.1 | Approved | Jul 12 | https://www.atis.org/docstore/default.aspx |
| CCSA | CCSA-TSD-DS-36.401 | 9.2.1 | Published | Jun 12 | http://www.ccsa.org.cn/english/tc/files.php?docpath=/ITU-R/M.1457/M.1457-12/DS |
| ETSI | ETSI TS 136 401 | 9.2.1 | Published | May 11 | http://www.etsi.org/deliver/etsi_ts/136400_136499/136401/09.02.01_60/ |

| | | | | | |
|-------------------|-----------------------------|--------|-----------|--------|---|
| TTA | TTAT.3G-36.401(R9-9.1.0) | 9.1.0 | Approved | Jul 10 | http://www.tta.or.kr/data/ttasDown.jsp?where=14688&pk_num=TTAT.3G-36.401(R9-9.1.0) |
| TTC | TS-3GA-36.401(Rel9)v9.2.0 | 9.2.0 | Approved | Apr 11 | http://www.ttc.or.jp/j/document_list/free/3gpps2011/TS/TS-3GA-36.401(Rel9)v9.2.0.pdf |
| Release 10 | | | | | |
| ATIS | ATIS.3GPP.36.401V1040-2013 | 10.4.0 | Approved | Jun 13 | https://www.atis.org/docstore/default.aspx |
| CCSA | CCSA-TSD-DS-36.401 | 10.3.0 | Published | Jun 12 | http://www.ccsa.org.cn/english/tc/files.php?docpath=/ITU-R/M.1457/M.1457-12/DS |
| ETSI | ETSI TS 136 401 | 10.4.0 | Published | Jul 12 | http://www.etsi.org/deliver/etsi_ts/136400_136499/136401/10.04.00_60/ |
| TTA | TTAT.3G-36.401(R10-10.3.0) | 10.3.0 | Approved | Aug 12 | http://www.tta.or.kr/data/ttasDown.jsp?where=14688&pk_num=TTAT.3G-36.401(R10-10.3.0) |
| TTC | TS-3GA-36.401(Rel10)v10.4.0 | 10.4.0 | Approved | Sep 12 | http://www.ttc.or.jp/j/document_list/free/3gpps2011/TS/TS-3GA-36.401(Rel10)v10.3.0.pdf |
| Release 11 | | | | | |
| ATIS | ATIS.3GPP.36.401V1110-2013 | 11.1.0 | Approved | Jun 13 | https://www.atis.org/docstore/default.aspx |
| CCSA | CCSA-TSD-DS-36.401 | 11.2.0 | Published | Jun 14 | http://www.ccsa.org.cn/english/tc/files.php?docpath=/ITU-R/M.1457/M.1457-12/DS |
| ETSI | ETSI TS 136 401 | 11.1.0 | Published | Jan 13 | http://www.etsi.org/deliver/etsi_ts/136400_136499/136401/11.01.00_60/ |
| TTA | TTAT.3G-36.401(R11-11.1.0) | 11.1.0 | published | Aug 13 | http://www.tta.or.kr/data/ttasDown.jsp?where=14688&pk_num=TTAT.3G-36.401(R11-11.1.0) |
| TTC | TS-3GA-36.401(Rel11)v11.1.0 | 11.1.0 | Approved | Jun 13 | http://www.ttc.or.jp/j/document_list/free/3gpps2013/TS/TS-3GA-36.401(Rel11)v11.1.0.pdf |

5.1.2.8.2 TS 36.410

Evolved Universal Terrestrial Radio Access Network (E-UTRAN); S1 general aspects and principles

This specification provides an introduction to the 3GPP TS 36.41x series of technical specifications that define the S1 interface.

| SDO (2) | Document No. | Version | Status | Issued date | Location (1) |
|-------------------|-----------------------------|---------|-----------|-------------|---|
| Release 8 | | | | | |
| ATIS | ATIS.3GPP.36.410V830-2012 | 8.3.0 | Approved | Jul 12 | https://www.atis.org/docstore/default.aspx |
| CCSA | CCSA-TSD-DS-36.410 | 8.3.0 | Published | Jun 12 | http://www.ccsa.org.cn/english/tc/files.php?docpath=/ITU-R/M.1457/M.1457-12/DS |
| ETSI | ETSI TS 136 410 | 8.3.0 | Published | Jun 10 | http://www.etsi.org/deliver/etsi_ts/136400_136499/136410/08.03.00_60/ |
| TTA | TTAT.3G-36.410(R8-8.2.0) | 8.2.0 | Approved | Jul 09 | http://www.tta.or.kr/data/ttasDown.jsp?where=14688&pk_num=TTAT.3G-36.410(R8-8.2.0) |
| TTC | TS-3GA-36.410(Rel8)v8.3.0 | 8.3.0 | Approved | Apr 11 | http://www.ttc.or.jp/j/document_list/free/3gpps2011/TS/TS-3GA-36.410(Rel8)v8.3.0.pdf |
| Release 9 | | | | | |
| ATIS | ATIS.3GPP.36.410V911-2012 | 9.1.1 | Approved | Jul 12 | https://www.atis.org/docstore/default.aspx |
| CCSA | CCSA-TSD-DS-36.410 | 9.1.1 | Published | Jun 12 | http://www.ccsa.org.cn/english/tc/files.php?docpath=/ITU-R/M.1457/M.1457-12/DS |
| ETSI | ETSI TS 136 410 | 9.1.1 | Published | May 11 | http://www.etsi.org/deliver/etsi_ts/136400_136499/136410/09.01.01_60/ |
| TTA | TTAT.3G-36.410(R9-9.0.0) | 9.0.0 | Approved | Jul 10 | http://www.tta.or.kr/data/ttasDown.jsp?where=14688&pk_num=TTAT.3G-36.410(R9-9.0.0) |
| TTC | TS-3GA-36.410(Rel9)v9.1.0 | 9.1.0 | Approved | Apr 11 | http://www.ttc.or.jp/j/document_list/free/3gpps2011/TS/TS-3GA-36.410(Rel9)v9.1.0.pdf |
| Release 10 | | | | | |
| ATIS | ATIS.3GPP.36.410V1030-2013 | 10.3.0 | Approved | Jun 13 | https://www.atis.org/docstore/default.aspx |
| CCSA | CCSA-TSD-DS-36.410 | 10.2.0 | Published | Jun 12 | http://www.ccsa.org.cn/english/tc/files.php?docpath=/ITU-R/M.1457/M.1457-12/DS |
| ETSI | ETSI TS 136 410 | 10.3.0 | Published | Jul 12 | http://www.etsi.org/deliver/etsi_ts/136400_136499/136410/10.03.00_60/ |
| TTA | TTAT.3G-36.410(R10-10.2.0) | 10.2.0 | Approved | Aug 12 | http://www.tta.or.kr/data/ttasDown.jsp?where=14688&pk_num=TTAT.3G-36.410(R10-10.2.0) |
| TTC | TS-3GA-36.410(Rel10)v10.3.0 | 10.3.0 | Approved | Sep 12 | http://www.ttc.or.jp/j/document_list/free/3gpps2011/TS/TS-3GA-36.410(Rel10)v10.2.0.pdf |
| Release 11 | | | | | |
| ATIS | ATIS.3GPP.36.410V1100-2013 | 11.0.0 | Approved | Jun 13 | https://www.atis.org/docstore/default.aspx |
| CCSA | CCSA-TSD-DS-36.410 | 11.1.0 | Published | Jun 14 | http://www.ccsa.org.cn/english/tc/files.php?docpath=/ITU-R/M.1457/M.1457-12/DS |
| ETSI | ETSI TS 136 410 | 11.0.0 | Published | Oct 12 | http://www.etsi.org/deliver/etsi_ts/136400_136499/136410/11.00.00_60/ |
| TTA | TTAT.3G-36.410(R11-11.0.0) | 11.0.0 | published | Aug 13 | http://www.tta.or.kr/data/ttasDown.jsp?where=14688&pk_num=TTAT.3G-36.410(R11-11.0.0) |

TTC TS-3GA-36.410(Rel11)v11.0.0 11.0.0 Approved Jun 13 [http://www.ttc.or.jp/jp/document_list/free/3gpps2013/TS/TS-3GA-36.410\(Rel11\)v11.0.0.pdf](http://www.ttc.or.jp/jp/document_list/free/3gpps2013/TS/TS-3GA-36.410(Rel11)v11.0.0.pdf)

5.1.2.8.3 TS 36.411

Evolved Universal Terrestrial Radio Access Network (E-UTRAN); S1 layer 1

This specification describes the standards allowed to implement Layer 1 on the S1 interface.

| SDO (2) | Document No. | Version | Status | Issued date | Location (1) |
|-------------------|-----------------------------|---------|-----------|-------------|---|
| Release 8 | | | | | |
| ATIS | ATIS.3GPP.36.411V810-2009 | 8.1.0 | Approved | Jul 09 | https://www.atis.org/docstore/default.aspx |
| CCSA | CCSA-TSD-DS-36.411 | 8.1.0 | Published | Jun 12 | http://www.ccsa.org.cn/english/tc/files.php?docpath=/ITU-R/M.1457/M.1457-12/DS |
| ETSI | ETSI TS 136 411 | 8.1.0 | Published | Jan 09 | http://www.etsi.org/deliver/etsi_ts/136400_136499/136411/08.01.00_60/ |
| TTA | TTAT.3G-36.411(R8-8.1.0) | 8.1.0 | Approved | Jul 09 | http://www.tta.or.kr/data/ttasDown.jsp?where=14688&pk_num=TTAT.3G-36.411(R8-8.1.0) |
| TTC | TS-3GA-36.411(Rel8)v8.1.0 | 8.1.0 | Approved | Apr 11 | http://www.ttc.or.jp/j/document_list/free/3gpps2011/TS/TS-3GA-36.411(Rel8)v8.1.0.pdf |
| Release 9 | | | | | |
| ATIS | ATIS.3GPP.36.411V900-2010 | 9.0.0 | Approved | Jul 10 | https://www.atis.org/docstore/default.aspx |
| CCSA | CCSA-TSD-DS-36.411 | 9.0.0 | Published | Jun 12 | http://www.ccsa.org.cn/english/tc/files.php?docpath=/ITU-R/M.1457/M.1457-12/DS |
| ETSI | ETSI TS 136 411 | 9.0.0 | Published | Feb 10 | http://www.etsi.org/deliver/etsi_ts/136400_136499/136411/09.00.00_60/ |
| TTA | TTAT.3G-36.411(R9-9.0.0) | 9.0.0 | Approved | Jul 10 | http://www.tta.or.kr/data/ttasDown.jsp?where=14688&pk_num=TTAT.3G-36.411(R9-9.0.0) |
| TTC | TS-3GA-36.411(Rel9)v9.0.0 | 9.0.0 | Approved | Apr 11 | http://www.ttc.or.jp/j/document_list/free/3gpps2011/TS/TS-3GA-36.411(Rel9)v9.0.0.pdf |
| Release 10 | | | | | |
| ATIS | ATIS.3GPP.36.411V1010-2011 | 10.1.0 | Approved | Jul 11 | https://www.atis.org/docstore/default.aspx |
| CCSA | CCSA-TSD-DS-36.411 | 10.1.0 | Published | Jun 12 | http://www.ccsa.org.cn/english/tc/files.php?docpath=/ITU-R/M.1457/M.1457-12/DS |
| ETSI | ETSI TS 136 411 | 10.1.0 | Published | Jun 11 | http://www.etsi.org/deliver/etsi_ts/136400_136499/136411/10.01.00_60/ |
| TTA | TTAT.3G-36.411(R10-10.1.0) | 10.1.0 | Approved | Aug 11 | http://www.tta.or.kr/data/ttasDown.jsp?where=14688&pk_num=TTAT.3G-36.411(R10-10.1.0) |
| TTC | TS-3GA-36.411(Rel10)v10.1.0 | 10.1.0 | Approved | Aug 11 | http://www.ttc.or.jp/j/document_list/free/3gpps2011/TS/TS-3GA-36.411(Rel10)v10.1.0.pdf |
| Release 11 | | | | | |
| ATIS | ATIS.3GPP.36.411V1100-2013 | 11.0.0 | Approved | Jun 13 | https://www.atis.org/docstore/default.aspx |
| CCSA | CCSA-TSD-DS-36.411 | 11.0.0 | Published | Jun 14 | http://www.ccsa.org.cn/english/tc/files.php?docpath=/ITU-R/M.1457/M.1457-12/DS |
| ETSI | ETSI TS 136 411 | 11.0.0 | Published | Oct 12 | http://www.etsi.org/deliver/etsi_ts/136400_136499/136411/11.00.00_60/ |
| TTA | TTAT.3G-36.411(R11-11.0.0) | 11.0.0 | published | Aug 13 | http://www.tta.or.kr/data/ttasDown.jsp?where=14688&pk_num=TTAT.3G-36.411(R11-11.0.0) |
| TTC | TS-3GA-36.411(Rel11)v11.0.0 | 11.0.0 | Approved | Jun 13 | http://www.ttc.or.jp/j/document_list/free/3gpps2013/TS/TS-3GA-36.411(Rel11)v11.0.0.pdf |

5.1.2.8.4 TS 36.412

Evolved Universal Terrestrial Radio Access Network (E-UTRAN); S1 signalling transport

This specification describes the Signalling Transport to be used across S1 interface.

| SDO (2) | Document No. | Version | Status | Issued date | Location (1) |
|------------------|---------------------------|---------|----------|-------------|---|
| Release 8 | | | | | |
| ATIS | ATIS.3GPP.36.412V860-2010 | 8.6.0 | Approved | Jul 10 | https://www.atis.org/docstore/default.aspx |

| | | | | | |
|-------------------|-----------------------------|--------|-----------|--------|---|
| CCSA | CCSA-TSD-DS-36.412 | 8.6.0 | Published | Mar 10 | http://www.ccsa.org.cn/english/tc/files.php?docpath=/ITU-R/M.1457/M.1457-12/DS |
| ETSI | ETSI TS 136 412 | 8.6.0 | Published | Feb 10 | http://www.etsi.org/deliver/etsi_ts/136400_136499/136412/08.06.00_60/ |
| TTA | TTAT.3G-36.412(R8-8.5.0) | 8.5.0 | Approved | Jul 09 | http://www.tta.or.kr/data/ttasDown.jsp?where=14688&pk_num=TTAT.3G-36.412(R8-8.5.0) |
| TTC | TS-3GA-36.412(Rel8)v8.6.0 | 8.6.0 | Approved | Apr 11 | http://www.ttc.or.jp/j/document_list/free/3gpps2011/TS/TS-3GA-36.412(Rel8)v8.6.0.pdf |
| Release 9 | | | | | |
| ATIS | ATIS.3GPP.36.412V911-2012 | 9.1.1 | Approved | Jul 12 | https://www.atis.org/docstore/default.aspx |
| CCSA | CCSA-TSD-DS-36.412 | 9.1.1 | Published | Jun 12 | http://www.ccsa.org.cn/english/tc/files.php?docpath=/ITU-R/M.1457/M.1457-12/DS |
| ETSI | ETSI TS 136 412 | 9.1.1 | Published | May 11 | http://www.etsi.org/deliver/etsi_ts/136400_136499/136412/09.01.01_60/ |
| TTA | TTAT.3G-36.412(R9-9.1.0) | 9.1.0 | Approved | Jul 10 | http://www.tta.or.kr/data/ttasDown.jsp?where=14688&pk_num=TTAT.3G-36.412(R9-9.1.0) |
| TTC | TS-3GA-36.412(Rel9)v9.1.0 | 9.1.0 | Approved | Apr 11 | http://www.ttc.or.jp/j/document_list/free/3gpps2011/TS/TS-3GA-36.412(Rel9)v9.1.0.pdf |
| Release 10 | | | | | |
| ATIS | ATIS.3GPP.36.412V1010-2011 | 10.1.0 | Approved | Jul 11 | https://www.atis.org/docstore/default.aspx |
| CCSA | CCSA-TSD-DS-36.412 | 10.1.0 | Published | Jun 12 | http://www.ccsa.org.cn/english/tc/files.php?docpath=/ITU-R/M.1457/M.1457-12/DS |
| ETSI | ETSI TS 136 412 | 10.1.0 | Published | Jun 11 | http://www.etsi.org/deliver/etsi_ts/136400_136499/136412/10.01.00_60/ |
| TTA | TTAT.3G-36.412(R10-10.1.0) | 10.1.0 | Approved | Aug 11 | http://www.tta.or.kr/data/ttasDown.jsp?where=14688&pk_num=TTAT.3G-36.412(R10-10.1.0) |
| TTC | TS-3GA-36.412(Rel10)v10.1.0 | 10.1.0 | Approved | Aug 11 | http://www.ttc.or.jp/j/document_list/free/3gpps2011/TS/TS-3GA-36.412(Rel10)v10.1.0.pdf |
| Release 11 | | | | | |
| ATIS | ATIS.3GPP.36.412V1100-2013 | 11.0.0 | Approved | Jun 13 | https://www.atis.org/docstore/default.aspx |
| CCSA | CCSA-TSD-DS-36.412 | 11.0.0 | Published | Jun 14 | http://www.ccsa.org.cn/english/tc/files.php?docpath=/ITU-R/M.1457/M.1457-12/DS |
| ETSI | ETSI TS 136 412 | 11.0.0 | Published | Oct 12 | http://www.etsi.org/deliver/etsi_ts/136400_136499/136412/11.00.00_60/ |
| TTA | TTAT.3G-36.412(R11-11.0.0) | 11.0.0 | published | Aug 13 | http://www.tta.or.kr/data/ttasDown.jsp?where=14688&pk_num=TTAT.3G-36.412(R11-11.0.0) |
| TTC | TS-3GA-36.412(Rel11)v11.0.0 | 11.0.0 | Approved | Jun 13 | http://www.ttc.or.jp/j/document_list/free/3gpps2013/TS/TS-3GA-36.412(Rel11)v11.0.0.pdf |

5.1.2.8.5 TS 36.413

Evolved Universal Terrestrial Radio Access Network (E-UTRAN); S1 Application Protocol (S1AP)

This specification describes the E-UTRAN radio network layer signalling protocol for the S1 interface.

| SDO (2) | Document No. | Version | Status | Issued date | Location (1) |
|-------------------|----------------------------|---------|-----------|-------------|---|
| Release 8 | | | | | |
| ATIS | ATIS.3GPP.36.413V8100-2012 | 8.10.0 | Approved | Jul 12 | https://www.atis.org/docstore/default.aspx |
| CCSA | CCSA-TSD-DS-36.413 | 8.10.0 | Published | Jun 12 | http://www.ccsa.org.cn/english/tc/files.php?docpath=/ITU-R/M.1457/M.1457-12/DS |
| ETSI | ETSI TS 136 413 | 8.10.0 | Published | Jun 10 | http://www.etsi.org/deliver/etsi_ts/136400_136499/136413/08.10.00_60/ |
| TTA | TTAT.3G-36.413(R8-8.5.1) | 8.5.1 | Approved | Jul 09 | http://www.tta.or.kr/data/ttasDown.jsp?where=14688&pk_num=TTAT.3G-36.413(R8-8.5.1) |
| TTC | TS-3GA-36.413(Rel8)v8.10.0 | 8.10.0 | Approved | Apr 11 | http://www.ttc.or.jp/j/document_list/free/3gpps2011/TS/TS-3GA-36.413(Rel8)v8.10.0.pdf |
| Release 9 | | | | | |
| ATIS | ATIS.3GPP.36.413V980-2014 | 9.8.0 | Approved | May 14 | https://www.atis.org/docstore/default.aspx |
| CCSA | CCSA-TSD-DS-36.413 | 9.8.0 | Published | Jun 12 | http://www.ccsa.org.cn/english/tc/files.php?docpath=/ITU-R/M.1457/M.1457-12/DS |
| ETSI | ETSI TS 136 413 | 9.8.0 | Published | Jan 12 | http://www.etsi.org/deliver/etsi_ts/136400_136499/136413/09.08.00_60/ |
| TTA | TTAT.3G-36.413(R9-9.2.2) | 9.2.2 | Approved | Jul 10 | http://www.tta.or.kr/data/ttasDown.jsp?where=14688&pk_num=TTAT.3G-36.413(R9-9.2.2) |
| TTC | TS-3GA-36.413(Rel9)v9.8.0 | 9.8.0 | Approved | Feb 12 | http://www.ttc.or.jp/j/document_list/free/3gpps2012/TS/TS-3GA-36.413(Rel9)v9.8.0.pdf |
| Release 10 | | | | | |
| ATIS | ATIS.3GPP.36.413V1060-2013 | 10.6.0 | Approved | Jun 13 | https://www.atis.org/docstore/default.aspx |

| | | | | | |
|-------------------|-----------------------------|--------|-----------|--------|---|
| CCSA | CCSA-TSD-DS-36.413 | 10.4.0 | Published | Jun 12 | http://www.ccsa.org.cn/english/tc/files.php?docpath=/ITU-R/M.1457/M.1457-12/DS |
| ETSI | ETSI TS 136 413 | 10.6.0 | Published | Jul 12 | http://www.etsi.org/deliver/etsi_ts/136400_136499/136413/10.06.00_60/ |
| TTA | TTAT.3G-36.413(R10-10.5.0) | 10.5.0 | Approved | Aug 12 | http://www.tta.or.kr/data/ttasDown.jsp?where=14688&pk_num=TTAT.3G-36.413(R10-10.5.0) |
| TTC | TS-3GA-36.413(Rel10)v10.6.0 | 10.6.0 | Approved | Sep 12 | http://www.ttc.or.jp/jp/document_list/free/3gpps2012/TS/TS-3GA-36.413(Rel10)v10.5.0.pdf |
| Release 11 | | | | | |
| ATIS | ATIS.3GPP.36.413V1130-2013 | 11.3.0 | Approved | Jun 13 | https://www.atis.org/docstore/default.aspx |
| CCSA | CCSA-TSD-DS-36.413 | 11.7.0 | Published | Jun 14 | http://www.ccsa.org.cn/english/tc/files.php?docpath=/ITU-R/M.1457/M.1457-12/DS |
| ETSI | ETSI TS 136 413 | 11.3.0 | Published | Apr 13 | http://www.etsi.org/deliver/etsi_ts/136400_136499/136413/11.03.00_60/ |
| TTA | TTAT.3G-36.413(R11-11.3.0) | 11.3.0 | published | Aug 13 | http://www.tta.or.kr/data/ttasDown.jsp?where=14688&pk_num=TTAT.3G-36.413(R11-11.3.0) |
| TTC | TS-3GA-36.413(Rel11)v11.3.0 | 11.3.0 | Approved | Jun 13 | http://www.ttc.or.jp/jp/document_list/free/3gpps2013/TS/TS-3GA-36.413(Rel11)v11.3.0.pdf |

5.1.2.8.6 TS 36.414

Evolved Universal Terrestrial Radio Access Network (E-UTRAN); S1 data transport

This specification describes the standards for user data transport protocols and related signalling protocols to establish user plane transport bearers over the S1 interface.

| SDO (2) | Document No. | Version | Status | Issued date | Location (1) |
|-------------------|-----------------------------|---------|-----------|-------------|---|
| Release 8 | | | | | |
| ATIS | ATIS.3GPP.36.414V840-2009 | 8.4.0 | Approved | Jul 09 | https://www.atis.org/docstore/default.aspx |
| CCSA | CCSA-TSD-DS-36.414 | 8.4.0 | Published | Apr 09 | http://www.ccsa.org.cn/english/tc/files.php?docpath=/ITU-R/M.1457/M.1457-12/DS |
| ETSI | ETSI TS 136 414 | 8.4.0 | Published | Apr 09 | http://www.etsi.org/deliver/etsi_ts/136400_136499/136414/08.04.00_60/ |
| TTA | TTAT.3G-36.414(R8-8.4.0) | 8.4.0 | Approved | Jul 09 | http://www.tta.or.kr/data/ttasDown.jsp?where=14688&pk_num=TTAT.3G-36.414(R8-8.4.0) |
| TTC | TS-3GA-36.414(Rel8)v8.4.0 | 8.4.0 | Approved | Apr 11 | http://www.ttc.or.jp/j/document_list/free/3gpps2011/TS/TS-3GA-36.414(Rel8)v8.4.0.pdf |
| Release 9 | | | | | |
| ATIS | ATIS.3GPP.36.414V901-2012 | 9.0.1 | Approved | Jul 12 | https://www.atis.org/docstore/default.aspx |
| CCSA | CCSA-TSD-DS-36.414 | 9.0.1 | Published | Jun 12 | http://www.ccsa.org.cn/english/tc/files.php?docpath=/ITU-R/M.1457/M.1457-12/DS |
| ETSI | ETSI TS 136 414 | 9.0.1 | Published | May 11 | http://www.etsi.org/deliver/etsi_ts/136400_136499/136414/09.00.01_60/ |
| TTA | TTAT.3G-36.414(R9-9.0.0) | 9.0.0 | Approved | Jul 10 | http://www.tta.or.kr/data/ttasDown.jsp?where=14688&pk_num=TTAT.3G-36.414(R9-9.0.0) |
| TTC | TS-3GA-36.414(Rel9)v9.0.0 | 9.0.0 | Approved | Apr 11 | http://www.ttc.or.jp/j/document_list/free/3gpps2011/TS/TS-3GA-36.414(Rel9)v9.0.0.pdf |
| Release 10 | | | | | |
| ATIS | ATIS.3GPP.36.414V1010-2011 | 10.1.0 | Approved | Jul 11 | https://www.atis.org/docstore/default.aspx |
| CCSA | CCSA-TSD-DS-36.414 | 10.1.0 | Published | Jun 12 | http://www.ccsa.org.cn/english/tc/files.php?docpath=/ITU-R/M.1457/M.1457-12/DS |
| ETSI | ETSI TS 136 414 | 10.1.0 | Published | Jun 11 | http://www.etsi.org/deliver/etsi_ts/136400_136499/136414/10.01.00_60/ |
| TTA | TTAT.3G-36.414(R10-10.1.0) | 10.1.0 | Approved | Aug 11 | http://www.tta.or.kr/data/ttasDown.jsp?where=14688&pk_num=TTAT.3G-36.414(R10-10.1.0) |
| TTC | TS-3GA-36.414(Rel10)v10.1.0 | 10.1.0 | Approved | Aug 11 | http://www.ttc.or.jp/j/document_list/free/3gpps2011/TS/TS-3GA-36.414(Rel10)v10.1.0.pdf |
| Release 11 | | | | | |
| ATIS | ATIS.3GPP.36.414V1100-2013 | 11.0.0 | Approved | Jun 13 | https://www.atis.org/docstore/default.aspx |
| CCSA | CCSA-TSD-DS-36.414 | 11.0.0 | Published | Jun 14 | http://www.ccsa.org.cn/english/tc/files.php?docpath=/ITU-R/M.1457/M.1457-12/DS |
| ETSI | ETSI TS 136 414 | 11.0.0 | Published | Oct 12 | http://www.etsi.org/deliver/etsi_ts/136400_136499/136414/11.00.00_60/ |
| TTA | TTAT.3G-36.414(R11-11.0.0) | 11.0.0 | published | Aug 13 | http://www.tta.or.kr/data/ttasDown.jsp?where=14688&pk_num=TTAT.3G-36.414(R11-11.0.0) |
| TTC | TS-3GA-36.414(Rel11)v11.0.0 | 11.0.0 | Approved | Jun 13 | http://www.ttc.or.jp/j/document_list/free/3gpps2013/TS/TS-3GA-36.414(Rel11)v11.0.0.pdf |

5.1.2.8.7 TS 36.420**Evolved Universal Terrestrial Radio Access Network (E-UTRAN); X2 general aspects and principles**

This specification provides an introduction to the TSG RAN TS 36.42x series of UMTS Technical Specifications that define the X2 interface.

| SDO (2) | Document No. | Version | Status | Issued date | Location (1) |
|-------------------|-----------------------------|---------|-----------|-------------|---|
| Release 8 | | | | | |
| ATIS | ATIS.3GPP.36.420V810-2009 | 8.1.0 | Approved | Jul 09 | https://www.atis.org/docstore/default.aspx |
| CCSA | CCSA-TSD-DS-36.420 | 8.1.0 | Published | Jan 09 | http://www.ccsa.org.cn/english/tc/files.php?docpath=/ITU-R/M.1457/M.1457-12/DS |
| ETSI | ETSI TS 136 420 | 8.1.0 | Published | Jan 09 | http://www.etsi.org/deliver/etsi_ts/136400_136499/136420/08.01.00_60/ |
| TTA | TTAT.3G-36.420(R8-8.1.0) | 8.1.0 | Approved | Jul 09 | http://www.tta.or.kr/data/ttasDown.jsp?where=14688&pk_num=TTAT.3G-36.420(R8-8.1.0) |
| TTC | TS-3GA-36.420(Rel8)v8.1.0 | 8.1.0 | Approved | Apr 11 | http://www.ttc.or.jp/j/document_list/free/3gpps2011/TS/TS-3GA-36.420(Rel8)v8.1.0.pdf |
| Release 9 | | | | | |
| ATIS | ATIS.3GPP.36.420V901-2012 | 9.0.1 | Approved | Jul 12 | https://www.atis.org/docstore/default.aspx |
| CCSA | CCSA-TSD-DS-36.420 | 9.0.1 | Published | Jun 12 | http://www.ccsa.org.cn/english/tc/files.php?docpath=/ITU-R/M.1457/M.1457-12/DS |
| ETSI | ETSI TS 136 420 | 9.0.1 | Published | May 11 | http://www.etsi.org/deliver/etsi_ts/136400_136499/136420/09.00.01_60/ |
| TTA | TTAT.3G-36.420(R9-9.0.0) | 9.0.0 | Approved | Jul 10 | http://www.tta.or.kr/data/ttasDown.jsp?where=14688&pk_num=TTAT.3G-36.420(R9-9.0.0) |
| TTC | TS-3GA-36.420(Rel9)v9.0.0 | 9.0.0 | Approved | Apr 11 | http://www.ttc.or.jp/j/document_list/free/3gpps2011/TS/TS-3GA-36.420(Rel9)v9.0.0.pdf |
| Release 10 | | | | | |
| ATIS | ATIS.3GPP.36.420V1020-2013 | 10.2.0 | Approved | Jun 13 | https://www.atis.org/docstore/default.aspx |
| CCSA | CCSA-TSD-DS-36.420 | 10.2.0 | Published | Jun 12 | http://www.ccsa.org.cn/english/tc/files.php?docpath=/ITU-R/M.1457/M.1457-12/DS |
| ETSI | ETSI TS 136 420 | 10.2.0 | Published | Oct 11 | http://www.etsi.org/deliver/etsi_ts/136400_136499/136420/10.02.00_60/ |
| TTA | TTAT.3G-36.420(R10-10.2.0.) | 10.2.0. | Approved | Aug 12 | http://www.tta.or.kr/data/ttasDown.jsp?where=14688&pk_num=TTAT.3G-36.420(R10-10.2.0.) |
| TTC | TS-3GA-36.420(Rel10)v10.2.0 | 10.2.0 | Approved | Dec 11 | http://www.ttc.or.jp/j/document_list/free/3gpps2011/TS/TS-3GA-36.420(Rel10)v10.2.0.pdf |
| Release 11 | | | | | |
| ATIS | ATIS.3GPP.36.420V1100-2013 | 11.0.0 | Approved | Jun 13 | https://www.atis.org/docstore/default.aspx |
| CCSA | CCSA-TSD-DS-36.420 | 11.0.0 | Published | Jun 14 | http://www.ccsa.org.cn/english/tc/files.php?docpath=/ITU-R/M.1457/M.1457-12/DS |
| ETSI | ETSI TS 136 420 | 11.0.0 | Published | Oct 12 | http://www.etsi.org/deliver/etsi_ts/136400_136499/136420/11.00.00_60/ |
| TTA | TTAT.3G-36.420(R11-11.0.0) | 11.0.0 | published | Aug 13 | http://www.tta.or.kr/data/ttasDown.jsp?where=14688&pk_num=TTAT.3G-36.420(R11-11.0.0) |
| TTC | TS-3GA-36.420(Rel11)v11.0.0 | 11.0.0 | Approved | Jun 13 | http://www.ttc.or.jp/j/document_list/free/3gpps2013/TS/TS-3GA-36.420(Rel11)v11.0.0.pdf |

5.1.2.8.8 TS 36.421**Evolved Universal Terrestrial Radio Access Network (E-UTRAN); X2 layer 1**

This specification describes the standards allowed to implement Layer 1 on the X2 interface.

| SDO (2) | Document No. | Version | Status | Issued date | Location (1) |
|------------------|---------------------------|---------|-----------|-------------|---|
| Release 8 | | | | | |
| ATIS | ATIS.3GPP.36.421V800-2008 | 8.0.0 | Approved | Oct 08 | https://www.atis.org/docstore/default.aspx |
| CCSA | CCSA-TSD-DS-36.421 | 8.0.0 | Published | Nov 08 | http://www.ccsa.org.cn/english/tc/files.php?docpath=/ITU-R/M.1457/M.1457-12/DS |
| ETSI | ETSI TS 136 421 | 8.0.0 | Published | Nov 08 | http://www.etsi.org/deliver/etsi_ts/136400_136499/136421/08.00.00_60/ |
| TTA | TTAT.3G-36.421(R8-8.0.0) | 8.0.0 | Approved | Oct 08 | http://www.tta.or.kr/data/ttasDown.jsp?where=14688&pk_num=TTAT.3G-36.421(R8-8.0.0) |
| TTC | TS-3GA-36.421(Rel8)v8.0.0 | 8.0.0 | Approved | Apr 11 | http://www.ttc.or.jp/j/document_list/free/3gpps2011/TS/TS-3GA-36.421(Rel8)v8.0.0.pdf |

Release 9

| | | | | | |
|------|---------------------------|-------|-----------|--------|---|
| ATIS | ATIS.3GPP.36.421V902-2012 | 9.0.2 | Approved | Jul 12 | https://www.atis.org/docstore/default.aspx |
| CCSA | CCSA-TSD-DS-36.421 | 9.0.2 | Published | Jun 12 | http://www.ccsa.org.cn/english/tc/files.php?docpath=/ITU-R/M.1457/M.1457-12/DS |
| ETSI | ETSI TS 136 421 | 9.0.2 | Published | May 11 | http://www.etsi.org/deliver/etsi_ts/136400_136499/136421/09.00.02_60/ |
| TTA | TTAT.3G-36.421(R9-9.0.1) | 9.0.1 | Approved | Jul 10 | http://www.tta.or.kr/data/ttasDown.jsp?where=14688&pk_num=TTAT.3G-36.421(R9-9.0.1) |
| TTC | TS-3GA-36.421(Rel9)v9.0.1 | 9.0.1 | Approved | Apr 11 | http://www.ttc.or.jp/j/document_list/free/3gpps2011/TS/TS-3GA-36.421(Rel9)v9.0.1.pdf |

Release 10

| | | | | | |
|------|-----------------------------|--------|-----------|--------|---|
| ATIS | ATIS.3GPP.36.421V1001-2011 | 10.0.1 | Approved | Jul 11 | https://www.atis.org/docstore/default.aspx |
| CCSA | CCSA-TSD-DS-36.421 | 10.0.1 | Published | Jun 12 | http://www.ccsa.org.cn/english/tc/files.php?docpath=/ITU-R/M.1457/M.1457-12/DS |
| ETSI | ETSI TS 136 421 | 10.0.1 | Published | May 11 | http://www.etsi.org/deliver/etsi_ts/136400_136499/136421/10.00.01_60/ |
| TTA | TTAT.3G-36.421(R10-10.0.1) | 10.0.1 | Approved | Aug 11 | http://www.tta.or.kr/data/ttasDown.jsp?where=14688&pk_num=TTAT.3G-36.421(R10-10.0.1) |
| TTC | TS-3GA-36.421(Rel10)v10.0.1 | 10.0.1 | Approved | Jun 11 | http://www.ttc.or.jp/j/document_list/free/3gpps2011/TS/TS-3GA-36.421(Rel10)v10.0.1.pdf |

Release 11

| | | | | | |
|------|-----------------------------|--------|-----------|--------|---|
| ATIS | ATIS.3GPP.36.421V1110-2013 | 11.1.0 | Approved | Jun 13 | https://www.atis.org/docstore/default.aspx |
| CCSA | CCSA-TSD-DS-36.421 | 11.1.0 | Published | Jun 14 | http://www.ccsa.org.cn/english/tc/files.php?docpath=/ITU-R/M.1457/M.1457-12/DS |
| ETSI | ETSI TS 136 421 | 11.1.0 | Published | Jan 13 | http://www.etsi.org/deliver/etsi_ts/136400_136499/136421/11.01.00_60/ |
| TTA | TTAT.3G-36.421(R11-11.1.0) | 11.1.0 | published | Aug 13 | http://www.tta.or.kr/data/ttasDown.jsp?where=14688&pk_num=TTAT.3G-36.421(R11-11.1.0) |
| TTC | TS-3GA-36.421(Rel11)v11.1.0 | 11.1.0 | Approved | Jun 13 | http://www.ttc.or.jp/j/document_list/free/3gpps2013/TS/TS-3GA-36.421(Rel11)v11.1.0.pdf |

5.1.2.8.9 TS 36.422**Evolved Universal Terrestrial Radio Access Network (E-UTRAN); X2 signalling transport**

This specification describes the Signalling Transport to be used across X2 interface.

| SDO (2) | Document No. | Version | Status | Issued date | Location (1) |
|-------------------|-----------------------------|---------|-----------|-------------|---|
| Release 8 | | | | | |
| ATIS | ATIS.3GPP.36.422V860-2010 | 8.6.0 | Approved | Jul 10 | https://www.atis.org/docstore/default.aspx |
| CCSA | CCSA-TSD-DS-36.422 | 8.6.0 | Published | Mar 10 | http://www.ccsa.org.cn/english/tc/files.php?docpath=/ITU-R/M.1457/M.1457-12/DS |
| ETSI | ETSI TS 136 422 | 8.6.0 | Published | Feb 10 | http://www.etsi.org/deliver/etsi_ts/136400_136499/136422/08.06.00_60/ |
| TTA | TTAT.3G-36.422(R8-8.5.0) | 8.5.0 | Approved | Jul 09 | http://www.tta.or.kr/data/ttasDown.jsp?where=14688&pk_num=TTAT.3G-36.422(R8-8.5.0) |
| TTC | TS-3GA-36.422(Rel8)v8.6.0 | 8.6.0 | Approved | Apr 11 | http://www.ttc.or.jp/j/document_list/free/3gpps2011/TS/TS-3GA-36.422(Rel8)v8.6.0.pdf |
| Release 9 | | | | | |
| ATIS | ATIS.3GPP.36.422V911-2012 | 9.1.1 | Approved | Jul 12 | https://www.atis.org/docstore/default.aspx |
| CCSA | CCSA-TSD-DS-36.422 | 9.1.1 | Published | Jun 12 | http://www.ccsa.org.cn/english/tc/files.php?docpath=/ITU-R/M.1457/M.1457-12/DS |
| ETSI | ETSI TS 136 422 | 9.1.1 | Published | May 11 | http://www.etsi.org/deliver/etsi_ts/136400_136499/136422/09.01.01_60/ |
| TTA | TTAT.3G-36.422(R9-9.1.0) | 9.1.0 | Approved | Jul 10 | http://www.tta.or.kr/data/ttasDown.jsp?where=14688&pk_num=TTAT.3G-36.422(R9-9.1.0) |
| TTC | TS-3GA-36.422(Rel9)v9.1.0 | 9.1.0 | Approved | Apr 11 | http://www.ttc.or.jp/j/document_list/free/3gpps2011/TS/TS-3GA-36.422(Rel9)v9.1.0.pdf |
| Release 10 | | | | | |
| ATIS | ATIS.3GPP.36.422V1010-2011 | 10.1.0 | Approved | Jul 11 | https://www.atis.org/docstore/default.aspx |
| CCSA | CCSA-TSD-DS-36.422 | 10.1.0 | Published | Jun 12 | http://www.ccsa.org.cn/english/tc/files.php?docpath=/ITU-R/M.1457/M.1457-12/DS |
| ETSI | ETSI TS 136 422 | 10.1.0 | Published | Jun 11 | http://www.etsi.org/deliver/etsi_ts/136400_136499/136422/10.01.00_60/ |
| TTA | TTAT.3G-36.422(R10-10.1.0) | 10.1.0 | Approved | Aug 11 | http://www.tta.or.kr/data/ttasDown.jsp?where=14688&pk_num=TTAT.3G-36.422(R10-10.1.0) |
| TTC | TS-3GA-36.422(Rel10)v10.1.0 | 10.1.0 | Approved | Aug 11 | http://www.ttc.or.jp/j/document_list/free/3gpps2011/TS/TS-3GA-36.422(Rel10)v10.1.0.pdf |

Release 11

| | | | | | |
|------|-----------------------------|--------|-----------|--------|---|
| ATIS | ATIS.3GPP.36.422V1100-2013 | 11.0.0 | Approved | Jun 13 | https://www.atis.org/docstore/default.aspx |
| CCSA | CCSA-TSD-DS-36.422 | 11.0.0 | Published | Jun 14 | http://www.ccsa.org.cn/english/tc/files.php?docpath=/ITU-R/M.1457/M.1457-12/DS |
| ETSI | ETSI TS 136 422 | 11.0.0 | Published | Oct 12 | http://www.etsi.org/deliver/etsi_ts/136400_136499/136422/11.00.00_60/ |
| TTA | TTAT.3G-36.422(R11-11.0.0) | 11.0.0 | published | Aug 13 | http://www.tta.or.kr/data/ttasDown.jsp?where=14688&pk_num=TTAT.3G-36.422(R11-11.0.0) |
| TTC | TS-3GA-36.422(Rel11)v11.0.0 | 11.0.0 | Approved | Jun 13 | http://www.ttc.or.jp/j/document_list/free/3gpps2013/TS/TS-3GA-36.422(Rel11)v11.0.0.pdf |

5.1.2.8.10 TS 36.423**Evolved Universal Terrestrial Radio Access Network (E-UTRAN); X2 Application Protocol (X2AP)**

This specification describes the E-UTRAN radio network layer signalling protocol for the X2 interface.

| SDO (2) | Document No. | Version | Status | Issued date | Location (1) |
|-------------------|-----------------------------|---------|-----------|-------------|---|
| Release 8 | | | | | |
| ATIS | ATIS.3GPP.36.423V890-2010 | 8.9.0 | Approved | Jul 10 | https://www.atis.org/docstore/default.aspx |
| CCSA | CCSA-TSD-DS-36.423 | 8.9.0 | Published | Jun 12 | http://www.ccsa.org.cn/english/tc/files.php?docpath=/ITU-R/M.1457/M.1457-12/DS |
| ETSI | ETSI TS 136 423 | 8.9.0 | Published | Apr 10 | http://www.etsi.org/deliver/etsi_ts/136400_136499/136423/08.09.00_60/ |
| TTA | TTAT.3G-36.423(R8-8.5.0) | 8.5.0 | Approved | Jul 09 | http://www.tta.or.kr/data/ttasDown.jsp?where=14688&pk_num=TTAT.3G-36.423(R8-8.5.0) |
| TTC | TS-3GA-36.423(Rel8)v8.9.0 | 8.9.0 | Approved | Apr 11 | http://www.ttc.or.jp/j/document_list/free/3gpps2011/TS/TS-3GA-36.423(Rel8)v8.9.0.pdf |
| Release 9 | | | | | |
| ATIS | ATIS.3GPP.36.423V960-2012 | 9.6.0 | Approved | Jul 12 | https://www.atis.org/docstore/default.aspx |
| CCSA | CCSA-TSD-DS-36.423 | 9.6.0 | Published | Jun 12 | http://www.ccsa.org.cn/english/tc/files.php?docpath=/ITU-R/M.1457/M.1457-12/DS |
| ETSI | ETSI TS 136 423 | 9.6.0 | Published | Apr 11 | http://www.etsi.org/deliver/etsi_ts/136400_136499/136423/09.06.00_60/ |
| TTA | TTAT.3G-36.423(R9-9.2.0) | 9.2.0 | Approved | Jul 10 | http://www.tta.or.kr/data/ttasDown.jsp?where=14688&pk_num=TTAT.3G-36.423(R9-9.2.0) |
| TTC | TS-3GA-36.423(Rel9)v9.6.0 | 9.6.0 | Approved | Jun 11 | http://www.ttc.or.jp/j/document_list/free/3gpps2011/TS/TS-3GA-36.423(Rel9)v9.6.0.pdf |
| Release 10 | | | | | |
| ATIS | ATIS.3GPP.36.423V1050-2013 | 10.5.0 | Approved | Jun 13 | https://www.atis.org/docstore/default.aspx |
| CCSA | CCSA-TSD-DS-36.423 | 10.4.0 | Published | Jun 12 | http://www.ccsa.org.cn/english/tc/files.php?docpath=/ITU-R/M.1457/M.1457-12/DS |
| ETSI | ETSI TS 136 423 | 10.5.0 | Published | Mar 12 | http://www.etsi.org/deliver/etsi_ts/136400_136499/136423/10.05.00_60/ |
| TTA | TTAT.3G-36.423(R10-10.5.0) | 10.5.0 | Approved | Aug 12 | http://www.tta.or.kr/data/ttasDown.jsp?where=14688&pk_num=TTAT.3G-36.423(R10-10.5.0) |
| TTC | TS-3GA-36.423(Rel10)v10.5.0 | 10.5.0 | Approved | Jun 12 | http://www.ttc.or.jp/jp/document_list/free/3gpps2012/TS/TS-3GA-36.423(Rel10)v10.5.0.pdf |
| Release 11 | | | | | |
| ATIS | ATIS.3GPP.36.423V1140-2013 | 11.4.0 | Approved | Jun 13 | https://www.atis.org/docstore/default.aspx |
| CCSA | CCSA-TSD-DS-36.423 | 11.8.0 | Published | Jun 14 | http://www.ccsa.org.cn/english/tc/files.php?docpath=/ITU-R/M.1457/M.1457-12/DS |
| ETSI | ETSI TS 136 423 | 11.4.0 | Published | Apr 13 | http://www.etsi.org/deliver/etsi_ts/136400_136499/136423/11.04.00_60/ |
| TTA | TTAT.3G-36.423(R11-11.4.0) | 11.4.0 | published | Aug 13 | http://www.tta.or.kr/data/ttasDown.jsp?where=14688&pk_num=TTAT.3G-36.423(R11-11.4.0) |
| TTC | TS-3GA-36.423(Rel11)v11.4.0 | 11.4.0 | Approved | Jun 13 | http://www.ttc.or.jp/jp/document_list/free/3gpps2013/TS/TS-3GA-36.423(Rel11)v11.4.0.pdf |

5.1.2.8.11 TS 36.424**Evolved Universal Terrestrial Radio Access Network (E-UTRAN); X2 data transport**

This specification describes the standards for user data transport protocols and related signalling protocols to establish user plane transport bearers over the X2 interface.

| SDO (2) | Document No. | Version | Status | Issued date | Location (1) |
|-------------------|-----------------------------|---------|-----------|-------------|---|
| Release 8 | | | | | |
| ATIS | ATIS.3GPP.36.424V850-2009 | 8.5.0 | Approved | Jul 09 | https://www.atis.org/docstore/default.aspx |
| CCSA | CCSA-TSD-DS-36.424 | 8.5.0 | Published | Apr 09 | http://www.ccsa.org.cn/english/tc/files.php?docpath=/ITU-R/M.1457/M.1457-12/DS |
| ETSI | ETSI TS 136 424 | 8.5.0 | Published | Apr 09 | http://www.etsi.org/deliver/etsi_ts/136400_136499/136424/08.05.00_60/ |
| TTA | TTAT.3G-36.424(R8-8.5.0) | 8.5.0 | Approved | Jul 09 | http://www.tta.or.kr/data/ttasDown.jsp?where=14688&pk_num=TTAT.3G-36.424(R8-8.5.0) |
| TTC | TS-3GA-36.424(Rel8)v8.5.0 | 8.5.0 | Approved | Apr 11 | http://www.ttc.or.jp/j/document_list/free/3gpps2011/TS/TS-3GA-36.424(Rel8)v8.5.0.pdf |
| Release 9 | | | | | |
| ATIS | ATIS.3GPP.36.424V901-2012 | 9.0.1 | Approved | Jul 12 | https://www.atis.org/docstore/default.aspx |
| CCSA | CCSA-TSD-DS-36.424 | 9.0.1 | Published | Jun 12 | http://www.ccsa.org.cn/english/tc/files.php?docpath=/ITU-R/M.1457/M.1457-12/DS |
| ETSI | ETSI TS 136 424 | 9.0.1 | Published | May 11 | http://www.etsi.org/deliver/etsi_ts/136400_136499/136424/09.00.01_60/ |
| TTA | TTAT.3G-36.424(R9-9.0.0) | 9.0.0 | Approved | Jul 10 | http://www.tta.or.kr/data/ttasDown.jsp?where=14688&pk_num=TTAT.3G-36.424(R9-9.0.0) |
| TTC | TS-3GA-36.424(Rel9)v9.0.0 | 9.0.0 | Approved | Apr 11 | http://www.ttc.or.jp/j/document_list/free/3gpps2011/TS/TS-3GA-36.424(Rel9)v9.0.0.pdf |
| Release 10 | | | | | |
| ATIS | ATIS.3GPP.36.424V1010-2011 | 10.1.0 | Approved | Jul 11 | https://www.atis.org/docstore/default.aspx |
| CCSA | CCSA-TSD-DS-36.424 | 10.1.0 | Published | Jun 12 | http://www.ccsa.org.cn/english/tc/files.php?docpath=/ITU-R/M.1457/M.1457-12/DS |
| ETSI | ETSI TS 136 424 | 10.1.0 | Published | Jun 11 | http://www.etsi.org/deliver/etsi_ts/136400_136499/136424/10.01.00_60/ |
| TTA | TTAT.3G-36.424(R10-10.1.0) | 10.1.0 | Approved | Aug 11 | http://www.tta.or.kr/data/ttasDown.jsp?where=14688&pk_num=TTAT.3G-36.424(R10-10.1.0) |
| TTC | TS-3GA-36.424(Rel10)v10.1.0 | 10.1.0 | Approved | Aug 11 | http://www.ttc.or.jp/j/document_list/free/3gpps2011/TS/TS-3GA-36.424(Rel10)v10.1.0.pdf |
| Release 11 | | | | | |
| ATIS | ATIS.3GPP.36.424V1100-2013 | 11.0.0 | Approved | Jun 13 | https://www.atis.org/docstore/default.aspx |
| CCSA | CCSA-TSD-DS-36.424 | 11.0.0 | Published | Jun 14 | http://www.ccsa.org.cn/english/tc/files.php?docpath=/ITU-R/M.1457/M.1457-12/DS |
| ETSI | ETSI TS 136 424 | 11.0.0 | Published | Oct 12 | http://www.etsi.org/deliver/etsi_ts/136400_136499/136424/11.00.00_60/ |
| TTA | TTAT.3G-36.424(R11-11.0.0) | 11.0.0 | published | Aug 13 | http://www.tta.or.kr/data/ttasDown.jsp?where=14688&pk_num=TTAT.3G-36.424(R11-11.0.0) |
| TTC | TS-3GA-36.424(Rel11)v11.0.0 | 11.0.0 | Approved | Jun 13 | http://www.ttc.or.jp/j/document_list/free/3gpps2013/TS/TS-3GA-36.424(Rel11)v11.0.0.pdf |

5.1.2.8.12 TS 36.440

Evolved Universal Terrestrial Radio Access Network (E-UTRAN); General aspects and principles for interfaces supporting Multimedia Broadcast Multicast Service (MBMS) within E-UTRAN

This document describes the overall architecture of the interface for the provision of MBMS in the E-UTRAN. This includes also a description of the general aspects, assumptions and principles guiding the architecture and interface. The MBMS functions to be provided within that architecture are summarized. It provides an introduction to the TSG RAN TS 36.44x series of UMTS technical specifications that define the different interfaces introduced for MBMS provision in E-UTRAN.

| SDO (2) | Document No. | Version | Status | Issued date | Location (1) |
|-------------------|----------------------------|---------|-----------|-------------|---|
| Release 9 | | | | | |
| CCSA | CCSA-TSD-DS-36.440 | 9.1.1 | Published | Jun 12 | http://www.ccsa.org.cn/english/tc/files.php?docpath=/ITU-R/M.1457/M.1457-12/DS |
| ETSI | ETSI TS 136 440 | 9.1.1 | Published | May 11 | http://www.etsi.org/deliver/etsi_ts/136400_136499/136440/09.01.01_60/ |
| TTC | TS-3GA-36.440(Rel9)v9.1.0 | 9.1.0 | Approved | Apr 11 | http://www.ttc.or.jp/j/document_list/free/3gpps2011/TS/TS-3GA-36.440(Rel9)v9.1.0.pdf |
| Release 10 | | | | | |
| ATIS | ATIS.3GPP.36.440V1030-2013 | 10.3.0 | Approved | Jun 13 | https://www.atis.org/docstore/default.aspx |

| | | | | | |
|-------------------|-----------------------------|--------|-----------|--------|---|
| CCSA | CCSA-TSD-DS-36.440 | 10.2.0 | Published | Jun 12 | http://www.ccsa.org.cn/english/tc/files.php?docpath=/ITU-R/M.1457/M.1457-12/DS |
| ETSI | ETSI TS 136 440 | 10.3.0 | Published | Jul 12 | http://www.etsi.org/deliver/etsi_ts/136400_136499/136440/10.03.00_60/ |
| TTA | TTAT.3G-36.440(R10-10.2.0) | 10.2.0 | Approved | Aug 12 | http://www.tta.or.kr/data/ttasDown.jsp?where=14688&pk_num=TTAT.3G-36.440(R10-10.2.0) |
| TTC | TS-3GA-36.440(Rel10)v10.3.0 | 10.3.0 | Approved | Sep 12 | http://www.ttc.or.jp/j/document_list/free/3gpps2011/TS/TS-3GA-36.440(Rel10)v10.2.0.pdf |
| Release 11 | | | | | |
| ATIS | ATIS.3GPP.36.440V1120-2013 | 11.2.0 | Approved | Jun 13 | https://www.atis.org/docstore/default.aspx |
| CCSA | CCSA-TSD-DS-36.440 | 11.2.0 | Published | Jun 14 | http://www.ccsa.org.cn/english/tc/files.php?docpath=/ITU-R/M.1457/M.1457-12/DS |
| ETSI | ETSI TS 136 440 | 11.2.0 | Published | Apr 13 | http://www.etsi.org/deliver/etsi_ts/136400_136499/136440/11.02.00_60/ |
| TTA | TTAT.3G-36.440(R11-11.2.0) | 11.2.0 | published | Aug 13 | http://www.tta.or.kr/data/ttasDown.jsp?where=14688&pk_num=TTAT.3G-36.440(R11-11.2.0) |
| TTC | TS-3GA-36.440(Rel11)v11.2.0 | 11.2.0 | Approved | Jun 13 | http://www.ttc.or.jp/j/document_list/free/3gpps2013/TS/TS-3GA-36.440(Rel11)v11.2.0.pdf |

5.1.2.8.13 TS 36.441

Evolved Universal Terrestrial Radio Access Network (E-UTRAN); Layer 1 for interfaces supporting Multimedia Broadcast Multicast Service (MBMS) within E-UTRAN

This document specifies the standards allowed to implement layer 1 on the interfaces supporting Multimedia Broadcast Multicast Service (MBMS) within E-UTRAN. In the following, “layer 1” and “physical layer” are assumed to be synonymous.

| SDO (2) | Document No. | Version | Status | Issued date | Location (1) |
|-------------------|-----------------------------|---------|-----------|-------------|---|
| Release 9 | | | | | |
| CCSA | CCSA-TSD-DS-36.441 | 9.0.0 | Published | Jun 12 | http://www.ccsa.org.cn/english/tc/files.php?docpath=/ITU-R/M.1457/M.1457-12/DS |
| ETSI | ETSI TS 136 441 | 9.0.0 | Published | Feb 10 | http://www.etsi.org/deliver/etsi_ts/136400_136499/136441/09.00.00_60/ |
| TTC | TS-3GA-36.441(Rel9)v9.0.0 | 9.0.0 | Approved | Apr 11 | http://www.ttc.or.jp/j/document_list/free/3gpps2011/TS/TS-3GA-36.441(Rel9)v9.0.0.pdf |
| Release 10 | | | | | |
| ATIS | ATIS.3GPP.36.441V1010-2011 | 10.1.0 | Approved | Jul 11 | https://www.atis.org/docstore/default.aspx |
| CCSA | CCSA-TSD-DS-36.441 | 10.1.0 | Published | Jun 12 | http://www.ccsa.org.cn/english/tc/files.php?docpath=/ITU-R/M.1457/M.1457-12/DS |
| ETSI | ETSI TS 136 441 | 10.1.0 | Published | Jun 11 | http://www.etsi.org/deliver/etsi_ts/136400_136499/136441/10.01.00_60/ |
| TTA | TTAT.3G-36.441(R10-10.1.0) | 10.1.0 | Approved | Aug 11 | http://www.tta.or.kr/data/ttasDown.jsp?where=14688&pk_num=TTAT.3G-36.441(R10-10.1.0) |
| TTC | TS-3GA-36.441(Rel10)v10.1.0 | 10.1.0 | Approved | Aug 11 | http://www.ttc.or.jp/j/document_list/free/3gpps2011/TS/TS-3GA-36.441(Rel10)v10.1.0.pdf |
| Release 11 | | | | | |
| ATIS | ATIS.3GPP.36.441V1100-2013 | 11.0.0 | Approved | Jun 13 | https://www.atis.org/docstore/default.aspx |
| CCSA | CCSA-TSD-DS-36.441 | 11.0.0 | Published | Jun 14 | http://www.ccsa.org.cn/english/tc/files.php?docpath=/ITU-R/M.1457/M.1457-12/DS |
| ETSI | ETSI TS 136 441 | 11.0.0 | Published | Oct 12 | http://www.etsi.org/deliver/etsi_ts/136400_136499/136441/11.00.00_60/ |
| TTA | TTAT.3G-36.441(R11-11.0.0) | 11.0.0 | published | Aug 13 | http://www.tta.or.kr/data/ttasDown.jsp?where=14688&pk_num=TTAT.3G-36.441(R11-11.0.0) |
| TTC | TS-3GA-36.441(Rel11)v11.0.0 | 11.0.0 | Approved | Jun 13 | http://www.ttc.or.jp/j/document_list/free/3gpps2013/TS/TS-3GA-36.441(Rel11)v11.0.0.pdf |

5.1.2.8.14 TS 36.442

Evolved Universal Terrestrial Radio Access Network (E-UTRAN); Signalling Transport for interfaces supporting Multimedia Broadcast Multicast Service (MBMS) within E-UTRAN

This document specifies the standards for signalling transport to be used across M2 and M3 interfaces. M2 interface is a logical interface between the eNodeB and the MCE. M3 interface is a logical interface between the MCE and the MME. This document describes how the M2-

AP signalling messages are transported over M2, and how the M3-AP signalling messages are transported over M3.

| SDO (2) | Document No. | Version | Status | Issued date | Location (1) |
|-------------------|-----------------------------|---------|-----------|-------------|---|
| Release 9 | | | | | |
| CCSA | CCSA-TSD-DS-36.442 | 9.1.1 | Published | Jun 12 | http://www.ccsa.org.cn/english/tc/files.php?docpath=/ITU-R/M.1457/M.1457-12/DS |
| ETSI | ETSI TS 136 442 | 9.1.1 | Published | May 11 | http://www.etsi.org/deliver/etsi_ts/136400_136499/136442/09.01.01_60/ |
| TTC | TS-3GA-36.442(Rel9)v9.1.0 | 9.1.0 | Approved | Apr 11 | http://www.ttc.or.jp/j/document_list/free/3gpps2011/TS/TS-3GA-36.442(Rel9)v9.1.0.pdf |
| Release 10 | | | | | |
| ATIS | ATIS.3GPP.36.442V1020-2013 | 10.2.0 | Approved | Jun 13 | https://www.atis.org/docstore/default.aspx |
| CCSA | CCSA-TSD-DS-36.442 | 10.2.0 | Published | Jun 12 | http://www.ccsa.org.cn/english/tc/files.php?docpath=/ITU-R/M.1457/M.1457-12/DS |
| ETSI | ETSI TS 136 442 | 10.2.0 | Published | Oct 11 | http://www.etsi.org/deliver/etsi_ts/136400_136499/136442/10.02.00_60/ |
| TTA | TTAT.3G-36.442(R10-10.2.0) | 10.2.0 | Approved | Aug 12 | http://www.tta.or.kr/data/ttasDown.jsp?where=14688&pk_num=TTAT.3G-36.442(R10-10.2.0) |
| TTC | TS-3GA-36.442(Rel10)v10.2.0 | 10.2.0 | Approved | Dec 11 | http://www.ttc.or.jp/j/document_list/free/3gpps2011/TS/TS-3GA-36.442(Rel10)v10.2.0.pdf |
| Release 11 | | | | | |
| ATIS | ATIS.3GPP.36.442V1100-2013 | 11.0.0 | Approved | Jun 13 | https://www.atis.org/docstore/default.aspx |
| CCSA | CCSA-TSD-DS-36.442 | 11.0.0 | Published | Jun 14 | http://www.ccsa.org.cn/english/tc/files.php?docpath=/ITU-R/M.1457/M.1457-12/DS |
| ETSI | ETSI TS 136 442 | 11.0.0 | Published | Oct 12 | http://www.etsi.org/deliver/etsi_ts/136400_136499/136442/11.00.00_60/ |
| TTA | TTAT.3G-36.442(R11-11.0.0) | 11.0.0 | published | Aug 13 | http://www.tta.or.kr/data/ttasDown.jsp?where=14688&pk_num=TTAT.3G-36.442(R11-11.0.0) |
| TTC | TS-3GA-36.442(Rel11)v11.0.0 | 11.0.0 | Approved | Jun 13 | http://www.ttc.or.jp/j/document_list/free/3gpps2013/TS/TS-3GA-36.442(Rel11)v11.0.0.pdf |

5.1.2.8.15 TS 36.443

Evolved Universal Terrestrial Radio Access Network (E-UTRAN); M2 Application Protocol (M2AP)

This document specifies the E-UTRAN radio network layer signalling protocol for the M2 interface. The M2 Application Protocol (M2AP) supports the functions of M2 interface by signalling procedures defined in this document.

| SDO (2) | Document No. | Version | Status | Issued date | Location (1) |
|-------------------|-----------------------------|---------|-----------|-------------|---|
| Release 9 | | | | | |
| CCSA | CCSA-TSD-DS-36.443 | 9.3.0 | Published | Jun 12 | http://www.ccsa.org.cn/english/tc/files.php?docpath=/ITU-R/M.1457/M.1457-12/DS |
| ETSI | ETSI TS 136 443 | 9.3.0 | Published | Apr 11 | http://www.etsi.org/deliver/etsi_ts/136400_136499/136443/09.03.00_60/ |
| TTC | TS-3GA-36.443(Rel9)v9.3.0 | 9.3.0 | Approved | Jun 11 | http://www.ttc.or.jp/j/document_list/free/3gpps2011/TS/TS-3GA-36.443(Rel9)v9.3.0.pdf |
| Release 10 | | | | | |
| ATIS | ATIS.3GPP.36.443V1050-2013 | 10.5.0 | Approved | Jun 13 | https://www.atis.org/docstore/default.aspx |
| CCSA | CCSA-TSD-DS-36.443 | 10.4.0 | Published | Jun 12 | http://www.ccsa.org.cn/english/tc/files.php?docpath=/ITU-R/M.1457/M.1457-12/DS |
| ETSI | ETSI TS 136 443 | 10.5.0 | Published | Mar 12 | http://www.etsi.org/deliver/etsi_ts/136400_136499/136443/10.05.00_60/ |
| TTA | TTAT.3G-36.443(R10-10.5.0) | 10.5.0 | Approved | Aug 12 | http://www.tta.or.kr/data/ttasDown.jsp?where=14688&pk_num=TTAT.3G-36.443(R10-10.5.0) |
| TTC | TS-3GA-36.443(Rel10)v10.5.0 | 10.5.0 | Approved | Jun 12 | http://www.ttc.or.jp/j/document_list/free/3gpps2012/TS/TS-3GA-36.443(Rel10)v10.5.0.pdf |
| Release 11 | | | | | |
| ATIS | ATIS.3GPP.36.443V1120-2013 | 11.2.0 | Approved | Jun 13 | https://www.atis.org/docstore/default.aspx |
| CCSA | CCSA-TSD-DS-36.443 | 11.3.0 | Published | Jun 14 | http://www.ccsa.org.cn/english/tc/files.php?docpath=/ITU-R/M.1457/M.1457-12/DS |
| ETSI | ETSI TS 136 443 | 11.2.0 | Published | Apr 13 | http://www.etsi.org/deliver/etsi_ts/136400_136499/136443/11.02.00_60/ |
| TTA | TTAT.3G-36.443(R11-11.2.0) | 11.2.0 | published | Aug 13 | http://www.tta.or.kr/data/ttasDown.jsp?where=14688&pk_num=TTAT.3G-36.443(R11-11.2.0) |

TTC TS-3GA-36.443(Rel11)v11.2.0 11.2.0 Approved Jun 13 [http://www.ttc.or.jp/jp/document_list/free/3gpps2013/TS/TS-3GA-36.443\(Rel11\)v11.2.0.pdf](http://www.ttc.or.jp/jp/document_list/free/3gpps2013/TS/TS-3GA-36.443(Rel11)v11.2.0.pdf)

5.1.2.8.16 TS 36.444

Evolved Universal Terrestrial Radio Access Network (E-UTRAN); M3 Application Protocol (M3AP)

This document specifies the E-UTRAN radio network layer signalling protocol for the M3 interface. The M3 Application Protocol (M3AP) supports the functions of M3 interface by signalling procedures defined in this document.

| SDO (2) | Document No. | Version | Status | Issued date | Location (1) |
|-------------------|-----------------------------|---------|-----------|-------------|---|
| Release 9 | | | | | |
| CCSA | CCSA-TSD-DS-36.444 | 9.4.0 | Published | Jun 12 | http://www.ccsa.org.cn/english/tc/files.php?docpath=/ITU-R/M.1457/M.1457-12/DS |
| ETSI | ETSI TS 136 444 | 9.4.0 | Published | Apr 11 | http://www.etsi.org/deliver/etsi_ts/136400_136499/136444/09.04.00_60/ |
| TTC | TS-3GA-36.444(Rel9)v9.4.0 | 9.4.0 | Approved | Jun 11 | http://www.ttc.or.jp/jp/document_list/free/3gpps2011/TS/TS-3GA-36.444(Rel9)v9.4.0.pdf |
| Release 10 | | | | | |
| ATIS | ATIS.3GPP.36.444V1040-2013 | 10.4.0 | Approved | Jun 13 | https://www.atis.org/docstore/default.aspx |
| CCSA | CCSA-TSD-DS-36.444 | 10.3.0 | Published | Jun 12 | http://www.ccsa.org.cn/english/tc/files.php?docpath=/ITU-R/M.1457/M.1457-12/DS |
| ETSI | ETSI TS 136 444 | 10.4.0 | Published | Jan 13 | http://www.etsi.org/deliver/etsi_ts/136400_136499/136444/10.04.00_60/ |
| TTA | TTAT.3G-36.444(R10-10.3.0) | 10.3.0 | Approved | Aug 12 | http://www.tta.or.kr/data/ttasDown.jsp?where=14688&pk_num=TTAT.3G-36.444(R10-10.3.0) |
| TTC | TS-3GA-36.444(Rel10)v10.4.0 | 10.4.0 | Approved | Jun 13 | http://www.ttc.or.jp/jp/document_list/free/3gpps2013/TS/TS-3GA-36.444(Rel10)v10.4.0.pdf |
| Release 11 | | | | | |
| ATIS | ATIS.3GPP.36.444V1150-2013 | 11.5.0 | Approved | Jun 13 | https://www.atis.org/docstore/default.aspx |
| ETSI | ETSI TS 136 444 | 11.5.0 | Published | Apr 13 | http://www.etsi.org/deliver/etsi_ts/136400_136499/136444/11.05.00_60/ |
| TTA | TTAT.3G-36.444(R11-11.5.0) | 11.5.0 | published | Aug 13 | http://www.tta.or.kr/data/ttasDown.jsp?where=14688&pk_num=TTAT.3G-36.444(R11-11.5.0) |
| TTC | TS-3GA-36.444(Rel11)v11.5.0 | 11.5.0 | Approved | Jun 13 | http://www.ttc.or.jp/jp/document_list/free/3gpps2013/TS/TS-3GA-36.444(Rel11)v11.5.0.pdf |

5.1.2.8.17 TS 36.445

Evolved Universal Terrestrial Radio Access Network (E-UTRAN); M1 data transport

This document specifies the standards for user data transport protocols over the E-UTRAN M1 interface.

| SDO (2) | Document No. | Version | Status | Issued date | Location (1) |
|-------------------|-----------------------------|---------|-----------|-------------|---|
| Release 9 | | | | | |
| CCSA | CCSA-TSD-DS-36.445 | 9.2.1 | Published | Jun 12 | http://www.ccsa.org.cn/english/tc/files.php?docpath=/ITU-R/M.1457/M.1457-12/DS |
| ETSI | ETSI TS 136 445 | 9.2.1 | Published | May 11 | http://www.etsi.org/deliver/etsi_ts/136400_136499/136445/09.02.01_60/ |
| TTC | TS-3GA-36.445(Rel9)v9.2.0 | 9.2.0 | Approved | Apr 11 | http://www.ttc.or.jp/jp/document_list/free/3gpps2011/TS/TS-3GA-36.445(Rel9)v9.2.0.pdf |
| Release 10 | | | | | |
| ATIS | ATIS.3GPP.36.445V1010-2012 | 10.1.0 | Approved | Jul 11 | https://www.atis.org/docstore/default.aspx |
| CCSA | CCSA-TSD-DS-36.445 | 10.1.0 | Published | Jun 12 | http://www.ccsa.org.cn/english/tc/files.php?docpath=/ITU-R/M.1457/M.1457-12/DS |
| ETSI | ETSI TS 136 445 | 10.1.0 | Published | Jun 11 | http://www.etsi.org/deliver/etsi_ts/136400_136499/136445/10.01.00_60/ |
| TTA | TTAT.3G-36.445(R10-10.1.0) | 10.1.0 | Approved | Aug 11 | http://www.tta.or.kr/data/ttasDown.jsp?where=14688&pk_num=TTAT.3G-36.445(R10-10.1.0) |
| TTC | TS-3GA-36.445(Rel10)v10.1.0 | 10.1.0 | Approved | Aug 11 | http://www.ttc.or.jp/jp/document_list/free/3gpps2011/TS/TS-3GA-36.445(Rel10)v10.1.0.pdf |
| Release 11 | | | | | |
| ATIS | ATIS.3GPP.36.445V1100-2013 | 11.0.0 | Approved | Jun 13 | https://www.atis.org/docstore/default.aspx |

| | | | | | |
|------|-----------------------------|--------|-----------|--------|---|
| CCSA | CCSA-TSD-DS-36.445 | 11.0.0 | Published | Jun 14 | http://www.ccsa.org.cn/english/tc/files.php?docpath=/ITU-R/M.1457/M.1457-12/DS |
| ETSI | ETSI TS 136 445 | 11.0.0 | Published | Oct 12 | http://www.etsi.org/deliver/etsi_ts/136400_136499/136445/11.00.00_60/ |
| TTA | TTAT.3G-36.445(R11-11.0.0) | 11.0.0 | published | Aug 13 | http://www.tta.or.kr/data/ttasDown.jsp?where=14688&pk_num=TTAT.3G-36.445(R11-11.0.0) |
| TTC | TS-3GA-36.445(Rel11)v11.0.0 | 11.0.0 | Approved | Jun 13 | http://www.ttc.or.jp/j/document_list/free/3gpps2013/TS/TS-3GA-36.445(Rel11)v11.0.0.pdf |

5.1.2.8.18 TS 36.455

Evolved Universal Terrestrial Radio Access (E-UTRA); LTE Positioning Protocol A (LPPa)

This document specifies the control plane radio network layer signalling procedures between eNodeB and E-SMLC. LPPa supports the concerned functions by signalling procedures defined in this document.

| SDO (2) | Document No. | Version | Status | Issued date | Location (1) |
|-------------------|-----------------------------|---------|-----------|-------------|---|
| Release 9 | | | | | |
| CCSA | CCSA-TSD-DS-36.455 | 9.4.1 | Published | Jun 12 | http://www.ccsa.org.cn/english/tc/files.php?docpath=/ITU-R/M.1457/M.1457-12/DS |
| ETSI | ETSI TS 136 455 | 9.4.1 | Published | May 11 | http://www.etsi.org/deliver/etsi_ts/136400_136499/136455/09.04.01_60/ |
| TTC | TS-3GA-36.455(Rel9)v9.4.0 | 9.4.0 | Approved | Apr 11 | http://www.ttc.or.jp/j/document_list/free/3gpps2011/TS/TS-3GA-36.455(Rel9)v9.4.0.pdf |
| Release 10 | | | | | |
| ATIS | ATIS.3GPP.36.455V1040-2013 | 10.4.0 | Approved | Jun 13 | https://www.atis.org/docstore/default.aspx |
| CCSA | CCSA-TSD-DS-36.455 | 10.2.0 | Published | Jun 12 | http://www.ccsa.org.cn/english/tc/files.php?docpath=/ITU-R/M.1457/M.1457-12/DS |
| ETSI | ETSI TS 136 455 | 10.4.0 | Published | Oct 12 | http://www.etsi.org/deliver/etsi_ts/136400_136499/136455/10.04.00_60/ |
| TTA | TTAT.3G-36.455(R10-10.2.0) | 10.2.0 | Approved | Aug 12 | http://www.tta.or.kr/data/ttasDown.jsp?where=14688&pk_num=TTAT.3G-36.455(R10-10.2.0) |
| TTC | TS-3GA-36.455(Rel10)v10.4.0 | 10.4.0 | Approved | Dec 12 | http://www.ttc.or.jp/j/document_list/free/3gpps2012/TS/TS-3GA-36.455(Rel10)v10.4.0.pdf |
| Release 11 | | | | | |
| ATIS | ATIS.3GPP.36.455V1120-2013 | 11.2.0 | Approved | Jun 13 | https://www.atis.org/docstore/default.aspx |
| CCSA | CCSA-TSD-DS-36.455 | 11.3.0 | Published | Jun 14 | http://www.ccsa.org.cn/english/tc/files.php?docpath=/ITU-R/M.1457/M.1457-12/DS |
| ETSI | ETSI TS 136 455 | 11.2.0 | Published | Apr 13 | http://www.etsi.org/deliver/etsi_ts/136400_136499/136455/11.02.00_60/ |
| TTA | TTAT.3G-36.455(R11-11.2.0) | 11.2.0 | published | Aug 13 | http://www.tta.or.kr/data/ttasDown.jsp?where=14688&pk_num=TTAT.3G-36.455(R11-11.2.0) |
| TTC | TS-3GA-36.455(Rel11)v11.2.0 | 11.2.0 | Approved | Jun 13 | http://www.ttc.or.jp/j/document_list/free/3gpps2013/TS/TS-3GA-36.455(Rel11)v11.2.0.pdf |

5.1.2.8.19 TS 36.456

SLm interface general aspects and principles

This document is an introduction to the 3GPP TS 36.45x series of technical specifications that define the SLm interface for the interconnection of the Evolved Serving Mobile Location Centre (E-SMLC) to the Location Measurement Unit (LMU) components of the Evolved Universal Terrestrial Radio Access Network (E-UTRAN).

| SDO (2) | Document No. | Version | Status | Issued date | Location (1) |
|-------------------|----------------------------|---------|-----------|-------------|---|
| Release 11 | | | | | |
| ATIS | ATIS.3GPP.36.456V1100-2013 | 11.0.0 | Approved | Jun 13 | https://www.atis.org/docstore/default.aspx |
| CCSA | CCSA-TSD-DS-36.456 | 11.0.0 | Published | Jun 14 | http://www.ccsa.org.cn/english/tc/files.php?docpath=/ITU-R/M.1457/M.1457-12/DS |
| ETSI | ETSI TS 136 456 | 11.0.0 | Published | Feb 13 | http://www.etsi.org/deliver/etsi_ts/136400_136499/136456/11.00.00_60/ |

| | | | | | |
|-----|-----------------------------|--------|-----------|--------|---|
| TTA | TTAT.3G-36.456(R11-11.0.0) | 11.0.0 | published | Aug 13 | http://www.tta.or.kr/data/ttasDown.jsp?where=14688&pk_num=TTAT.3G-36.456(R11-11.0.0) |
| TTC | TS-3GA-36.456(Rel11)v11.0.0 | 11.0.0 | Approved | Jun 13 | http://www.ttc.or.jp/j/document_list/free/3gpps2013/TS/TS-3GA-36.456(Rel11)v11.0.0.pdf |

5.1.2.8.20 TS 36.457

SLm interface layer 1

This document specifies the standards allowed to implement layer 1 on the SLm interface.

| SDO (2) | Document No. | Version | Status | Issued date | Location (1) |
|-------------------|-----------------------------|---------|-----------|-------------|---|
| Release 11 | | | | | |
| ATIS | ATIS.3GPP.36.457V1100-2013 | 11.0.0 | Approved | Jun 13 | https://www.atis.org/docstore/default.aspx |
| CCSA | CCSA-TSD-DS-36.457 | 11.0.0 | Published | Jun 14 | http://www.ccsa.org.cn/english/tc/files.php?docpath=/ITU-R/M.1457/M.1457-12/DS |
| ETSI | ETSI TS 136 457 | 11.0.0 | Published | Feb 13 | http://www.etsi.org/deliver/etsi_ts/136400_136499/136457/11.00.00_60/ |
| TTA | TTAT.3G-36.457(R11-11.0.0) | 11.0.0 | published | Aug 13 | http://www.tta.or.kr/data/ttasDown.jsp?where=14688&pk_num=TTAT.3G-36.457(R11-11.0.0) |
| TTC | TS-3GA-36.457(Rel11)v11.0.0 | 11.0.0 | Approved | Jun 13 | http://www.ttc.or.jp/j/document_list/free/3gpps2013/TS/TS-3GA-36.457(Rel11)v11.0.0.pdf |

5.1.2.8.21 TS 36.458

SLm interface signalling transport

This document specifies the standards for signalling transport to be used across the SLm interface. The SLm interface is a logical interface between the LMU and the E-SMLC in the E-UTRAN core network. This document describes how the SLmAP signalling messages are transported over SLm.

| SDO (2) | Document No. | Version | Status | Issued date | Location (1) |
|-------------------|-----------------------------|---------|-----------|-------------|---|
| Release 11 | | | | | |
| ATIS | ATIS.3GPP.36.458V1100-2013 | 11.0.0 | Approved | Jun 13 | https://www.atis.org/docstore/default.aspx |
| CCSA | CCSA-TSD-DS-36.458 | 11.0.0 | Published | Jun 14 | http://www.ccsa.org.cn/english/tc/files.php?docpath=/ITU-R/M.1457/M.1457-12/DS |
| ETSI | ETSI TS 136 458 | 11.0.0 | Published | Feb 13 | http://www.etsi.org/deliver/etsi_ts/136400_136499/136458/11.00.00_60/ |
| TTA | TTAT.3G-36.458(R11-11.0.0) | 11.0.0 | published | Aug 13 | http://www.tta.or.kr/data/ttasDown.jsp?where=14688&pk_num=TTAT.3G-36.458(R11-11.0.0) |
| TTC | TS-3GA-36.458(Rel11)v11.0.0 | 11.0.0 | Approved | Jun 13 | http://www.ttc.or.jp/j/document_list/free/3gpps2013/TS/TS-3GA-36.458(Rel11)v11.0.0.pdf |

5.1.2.8.22 TS 36.459

SLm interface Application Protocol (SLmAP)

This document specifies the E-UTRAN radio network layer signalling protocol for the SLm interface. The SLm Application Protocol (SLmAP) supports the functions of the SLm interface by signalling procedures defined in this document.

| SDO (2) | Document No. | Version | Status | Issued date | Location (1) |
|-------------------|----------------------------|---------|-----------|-------------|---|
| Release 11 | | | | | |
| ATIS | ATIS.3GPP.36.459V1110-2013 | 11.1.0 | Approved | Jun 13 | https://www.atis.org/docstore/default.aspx |
| CCSA | CCSA-TSD-DS-36.459 | 11.3.0 | Published | Jun 14 | http://www.ccsa.org.cn/english/tc/files.php?docpath=/ITU-R/M.1457/M.1457-12/DS |
| ETSI | ETSI TS 136 459 | 11.1.0 | Published | Apr 13 | http://www.etsi.org/deliver/etsi_ts/136400_136499/136459/11.01.00_60/ |
| TTA | TTAT.3G-36.459(R11-11.1.0) | 11.1.0 | published | Aug 13 | http://www.tta.or.kr/data/ttasDown.jsp?where=14688&pk_num=TTAT.3G-36.459(R11-11.1.0) |

TTC TS-3GA-36.459(Rel11)v11.1.0 11.1.0 Approved Jun 13 [http://www.ttc.or.jp/jp/document_list/free/3gpps2013/TS/TS-3GA-36.459\(Rel11\)v11.1.0.pdf](http://www.ttc.or.jp/jp/document_list/free/3gpps2013/TS/TS-3GA-36.459(Rel11)v11.1.0.pdf)

5.1.2.9 36.100 series

5.1.2.9.1 TS 36.101

Evolved Universal Terrestrial Radio Access (E-UTRA); User Equipment (UE) radio transmission and reception

This specification describes the User Equipment (UE) minimum RF characteristics of E-UTRA for both FDD and TDD modes.

| SDO (2) | Document No. | Version | Status | Issued date | Location (1) |
|-------------------|----------------------------|---------|-----------|-------------|---|
| Release 8 | | | | | |
| ARIB | ARIB STD-T63-36.101 | 8.21.0 | Approved | Jul 13 | http://www.arib.or.jp/english/html/overview/doc/STD-T63v10_00/2_T63/ARIB-STD-T63/Rel8/36/A36101-8I0.pdf |
| ATIS | ATIS.3GPP.36.101V8210-2014 | 8.21.0 | Approved | May 14 | https://www.atis.org/docstore/default.aspx |
| CCSA | CCSA-TSD-DS-36.101 | 8.16.0 | Published | Jun 12 | http://www.ccsa.org.cn/english/tc/files.php?docpath=/ITU-R/M.1457/M.1457-12/DS |
| ETSI | ETSI TS 136 101 | 8.21.0 | Published | Apr 13 | http://www.etsi.org/deliver/etsi_ts/136100_136199/136101/08.21.00_60/ |
| TTA | TTAT.3G-36.101(R8-8.5.1) | 8.5.1 | Approved | Jul 09 | http://www.tta.or.kr/data/ttasDown.jsp?where=14688&pk_num=TTAT.3G-36.101(R8-8.5.1) |
| Release 9 | | | | | |
| ARIB | ARIB STD-T63-36.101 | 9.15.0 | Approved | Jul 13 | http://www.arib.or.jp/english/html/overview/doc/STD-T63v10_00/2_T63/ARIB-STD-T63/Rel9/36/A36101-9f0.pdf |
| ATIS | ATIS.3GPP.36.101V9150-2014 | 9.15.0 | Approved | May 14 | https://www.atis.org/docstore/default.aspx |
| CCSA | CCSA-TSD-DS-36.101 | 9.10.0 | Published | Jun 12 | http://www.ccsa.org.cn/english/tc/files.php?docpath=/ITU-R/M.1457/M.1457-12/DS |
| ETSI | ETSI TS 136 101 | 9.15.0 | Published | Apr 13 | http://www.etsi.org/deliver/etsi_ts/136100_136199/136101/09.15.00_60/ |
| TTA | TTAT.3G-36.101(R9-9.3.0) | 9.3.0 | Approved | Jul 10 | http://www.tta.or.kr/data/ttasDown.jsp?where=14688&pk_num=TTAT.3G-36.101(R9-9.3.0) |
| Release 10 | | | | | |
| ATIS | ATIS.3GPP.36.101V10100- | 10.10.0 | Approved | Jun 13 | https://www.atis.org/docstore/default.aspx |
| CCSA | CCSA-TSD-DS-36.101 | 10.5.0 | Published | Jun 12 | http://www.ccsa.org.cn/english/tc/files.php?docpath=/ITU-R/M.1457/M.1457-12/DS |
| ETSI | ETSI TS 136 101 | 10.10.0 | Published | Apr 13 | http://www.etsi.org/deliver/etsi_ts/136100_136199/136101/10.10.00_60/ |
| TTA | TTAT.3G-36.101(R10-10.6.0) | 10.6.0 | Approved | Aug 12 | http://www.tta.or.kr/data/ttasDown.jsp?where=14688&pk_num=TTAT.3G-36.101(R10-10.6.0) |
| Release 11 | | | | | |
| ATIS | ATIS.3GPP.36.101V1140-2013 | 11.4.0 | Approved | Jun 13 | https://www.atis.org/docstore/default.aspx |
| CCSA | CCSA-TSD-DS-36.101 | 11.8.0 | Published | Jun 14 | http://www.ccsa.org.cn/english/tc/files.php?docpath=/ITU-R/M.1457/M.1457-12/DS |
| ETSI | ETSI TS 136 101 | 11.4.0 | Published | Apr 13 | http://www.etsi.org/deliver/etsi_ts/136100_136199/136101/11.04.00_60/ |
| TTA | TTAT.3G-36.101(R11-11.4.0) | 11.4.0 | published | Aug 13 | http://www.tta.or.kr/data/ttasDown.jsp?where=14688&pk_num=TTAT.3G-36.101(R11-11.4.0) |

5.1.2.9.2 TS 36.104

Evolved Universal Terrestrial Radio Access (E-UTRA); Base Station (BS) radio transmission and reception

This specification describes the Base Station minimum RF characteristics of E-UTRA in paired and unpaired bands.

| SDO (2) | Document No. | Version | Status | Issued date | Location (1) |
|------------------|----------------------------|---------|----------|-------------|---|
| Release 8 | | | | | |
| ARIB | ARIB STD-T63-36.104 | 8.13.0 | Approved | Jul 13 | http://www.arib.or.jp/english/html/overview/doc/STD-T63v10_40/2_T63/ARIB-STD-T63/Rel8/36/A36104-8d0.pdf |
| ATIS | ATIS.3GPP.36.104V8130-2014 | 8.13.0 | Approved | May 14 | https://www.atis.org/docstore/default.aspx |

| | | | | | |
|-------------------|----------------------------|---------|-----------|--------|---|
| CCSA | CCSA-TSD-DS-36.104 | 8.12.0 | Published | Jun 12 | http://www.ccsa.org.cn/english/tc/files.php?docpath=/ITU-R/M.1457/M.1457-12/DS |
| ETSI | ETSI TS 136 104 | 8.13.0 | Published | Jul 12 | http://www.etsi.org/deliver/etsi_ts/136100_136199/136104/08.13.00_60/ |
| TTA | TTAT.3G-36.104(R8-8.5.0) | 8.5.0 | Approved | Jul 09 | http://www.tta.or.kr/data/ttasDown.jsp?where=14688&pk_num=TTAT.3G-36.104(R8-8.5.0) |
| Release 9 | | | | | |
| ARIB | ARIB STD-T63-36.104 | 9.13.0 | Approved | Jul 13 | http://www.arib.or.jp/english/html/overview/doc/STD-T63v10_00/2_T63/ARIB-STD-T63/ReI9/36/A36104-9d0.pdf |
| ATIS | ATIS.3GPP.36.104V9130-2014 | 9.13.0 | Approved | May 14 | https://www.atis.org/docstore/default.aspx |
| CCSA | CCSA-TSD-DS-36.104 | 9.10.0 | Published | Jun 12 | http://www.ccsa.org.cn/english/tc/files.php?docpath=/ITU-R/M.1457/M.1457-12/DS |
| ETSI | ETSI TS 136 104 | 9.13.0 | Published | Nov 12 | http://www.etsi.org/deliver/etsi_ts/136100_136199/136104/09.13.00_60/ |
| TTA | TTAT.3G-36.104(R9-9.3.0) | 9.3.0 | Approved | Jul 10 | http://www.tta.or.kr/data/ttasDown.jsp?where=14688&pk_num=TTAT.3G-36.104(R9-9.3.0) |
| Release 10 | | | | | |
| ATIS | ATIS.3GPP.36.104V10100- | 10.10.0 | Approved | Jun 13 | https://www.atis.org/docstore/default.aspx |
| CCSA | CCSA-TSD-DS-36.104 | 10.5.0 | Published | Jun 12 | http://www.ccsa.org.cn/english/tc/files.php?docpath=/ITU-R/M.1457/M.1457-12/DS |
| ETSI | ETSI TS 136 104 | 10.10.0 | Published | Apr 13 | http://www.etsi.org/deliver/etsi_ts/136100_136199/136104/10.10.00_60/ |
| TTA | TTAT.3G-36.104(R10-10.6.0) | 10.6.0 | Approved | Aug 12 | http://www.tta.or.kr/data/ttasDown.jsp?where=14688&pk_num=TTAT.3G-36.104(R10-10.6.0) |
| Release 11 | | | | | |
| ATIS | ATIS.3GPP.36.104V1140-2013 | 11.4.0 | Approved | Jun 13 | https://www.atis.org/docstore/default.aspx |
| CCSA | CCSA-TSD-DS-36.104 | 11.8.2 | Published | Jun 14 | http://www.ccsa.org.cn/english/tc/files.php?docpath=/ITU-R/M.1457/M.1457-12/DS |
| ETSI | ETSI TS 136 104 | 11.4.0 | Published | Apr 13 | http://www.etsi.org/deliver/etsi_ts/136100_136199/136104/11.04.00_60/ |
| TTA | TTAT.3G-36.104(R11-11.4.0) | 11.4.0 | published | Aug 13 | http://www.tta.or.kr/data/ttasDown.jsp?where=14688&pk_num=TTAT.3G-36.104(R11-11.4.0) |

5.1.2.9.3 TS 36.106

Evolved Universal Terrestrial Radio Access (E-UTRA); FDD repeater radio transmission and reception

This document establishes the minimum RF characteristics of E-UTRA FDD Repeater.

| SDO (2) | Document No. | Version | Status | Issued date | Location (1) |
|-------------------|----------------------------|---------|-----------|-------------|---|
| Release 8 | | | | | |
| ATIS | ATIS.3GPP.36.106V870-2014 | 8.7.0 | Approved | May 14 | https://www.atis.org/docstore/default.aspx |
| CCSA | CCSA-TSD-DS-36.106 | 8.6.0 | Published | Jun 12 | http://www.ccsa.org.cn/english/tc/files.php?docpath=/ITU-R/M.1457/M.1457-12/DS |
| ETSI | ETSI TS 136 106 | 8.7.0 | Published | Jul 12 | http://www.etsi.org/deliver/etsi_ts/136100_136199/136106/08.07.00_60/ |
| TTA | TTAT.3G-36.106(R8-8.1.0) | 8.1.0 | Approved | Jul 09 | http://www.tta.or.kr/data/ttasDown.jsp?where=14688&pk_num=TTAT.3G-36.106(R8-8.1.0) |
| Release 9 | | | | | |
| ATIS | ATIS.3GPP.36.106V940-2014 | 9.4.0 | Approved | May 14 | https://www.atis.org/docstore/default.aspx |
| CCSA | CCSA-TSD-DS-36.106 | 9.3.0 | Published | Jun 12 | http://www.ccsa.org.cn/english/tc/files.php?docpath=/ITU-R/M.1457/M.1457-12/DS |
| ETSI | ETSI TS 136 106 | 9.4.0 | Published | Jul 12 | http://www.etsi.org/deliver/etsi_ts/136100_136199/136106/09.04.00_60/ |
| TTA | TTAT.3G-36.106(R9-9.1.0) | 9.1.0 | Approved | Jul 10 | http://www.tta.or.kr/data/ttasDown.jsp?where=14688&pk_num=TTAT.3G-36.106(R9-9.1.0) |
| Release 10 | | | | | |
| ATIS | ATIS.3GPP.36.106V1070-2013 | 10.7.0 | Approved | Jun 13 | https://www.atis.org/docstore/default.aspx |
| CCSA | CCSA-TSD-DS-36.106 | 10.2.0 | Published | Jun 12 | http://www.ccsa.org.cn/english/tc/files.php?docpath=/ITU-R/M.1457/M.1457-12/DS |
| ETSI | ETSI TS 136 106 | 10.7.0 | Published | Apr 13 | http://www.etsi.org/deliver/etsi_ts/136100_136199/136106/10.07.00_60/ |
| TTA | TTAT.3G-36.106(R10-10.3.0) | 10.3.0 | Approved | Aug 12 | http://www.tta.or.kr/data/ttasDown.jsp?where=14688&pk_num=TTAT.3G-36.106(R10-10.3.0) |
| Release 11 | | | | | |
| ATIS | ATIS.3GPP.36.106V1120-2013 | 11.2.0 | Approved | Jun 13 | https://www.atis.org/docstore/default.aspx |
| CCSA | CCSA-TSD-DS-36.106 | 11.2.0 | Published | Jun 14 | http://www.ccsa.org.cn/english/tc/files.php?docpath=/ITU-R/M.1457/M.1457-12/DS |

| | | | | | |
|------|----------------------------|--------|-----------|--------|---|
| ETSI | ETSI TS 136 106 | 11.2.0 | Published | Apr 13 | http://www.etsi.org/deliver/etsi_ts/136100_136199/136106/11.02.00_60/ |
| TTA | TTAT.3G-36.106(R11-11.2.0) | 11.2.0 | published | Aug 13 | http://www.tta.or.kr/data/ttasDown.jsp?where=14688&pk_num=TTAT.3G-36.106(R11-11.2.0) |

5.1.2.9.4 TS 36.113

Evolved Universal Terrestrial Radio Access (E-UTRA); Base Station (BS) and repeater ElectroMagnetic Compatibility (EMC)

This document covers the assessment of E-UTRA base stations, repeaters and associated ancillary equipment in respect of Electromagnetic Compatibility (EMC).

| SDO (2) | Document No. | Version | Status | Issued date | Location (1) |
|-------------------|----------------------------|---------|-----------|-------------|---|
| Release 8 | | | | | |
| ARIB | ARIB STD-T63-36.113 | 8.3.0 | Approved | Jul 13 | http://www.arib.or.jp/english/html/overview/doc/STD-T63v10_00/2_T63/ARIB-STD-T63/Rel8/36/A36113-830.pdf |
| ATIS | ATIS.3GPP.36.113V830-2012 | 8.3.0 | Approved | Jul 12 | https://www.atis.org/docstore/default.aspx |
| CCSA | CCSA-TSD-DS-36.113 | 8.3.0 | Published | Jun 12 | http://www.ccsa.org.cn/english/tc/files.php?docpath=/ITU-R/M.1457/M.1457-12/DS |
| ETSI | ETSI TS 136 113 | 8.3.0 | Published | Jan 11 | http://www.etsi.org/deliver/etsi_ts/136100_136199/136113/08.03.00_60/ |
| TTA | TTAT.3G-36.113(R8-8.1.0) | 8.1.0 | Approved | Jul 09 | http://www.tta.or.kr/data/ttasDown.jsp?where=14688&pk_num=TTAT.3G-36.113(R8-8.1.0) |
| Release 9 | | | | | |
| ARIB | ARIB STD-T63-36.113 | 9.5.0 | Approved | Jul 13 | http://www.arib.or.jp/english/html/overview/doc/STD-T63v10_00/2_T63/ARIB-STD-T63/Rel9/36/A36113-950.pdf |
| ATIS | ATIS.3GPP.36.113V950-2014 | 9.5.0 | Approved | May 14 | https://www.atis.org/docstore/default.aspx |
| CCSA | CCSA-TSD-DS-36.113 | 9.4.0 | Published | Jun 12 | http://www.ccsa.org.cn/english/tc/files.php?docpath=/ITU-R/M.1457/M.1457-12/DS |
| ETSI | ETSI TS 136 113 | 9.5.0 | Published | Jul 12 | http://www.etsi.org/deliver/etsi_ts/136100_136199/136113/09.05.00_60/ |
| TTA | TTAT.3G-36.113(R9-9.1.0) | 9.1.0 | Approved | Jul 10 | http://www.tta.or.kr/data/ttasDown.jsp?where=14688&pk_num=TTAT.3G-36.113(R9-9.1.0) |
| Release 10 | | | | | |
| ATIS | ATIS.3GPP.36.113V1050-2013 | 10.5.0 | Approved | Jun 13 | https://www.atis.org/docstore/default.aspx |
| CCSA | CCSA-TSD-DS-36.113 | 10.4.0 | Published | Jun 12 | http://www.ccsa.org.cn/english/tc/files.php?docpath=/ITU-R/M.1457/M.1457-12/DS |
| ETSI | ETSI TS 136 113 | 10.5.0 | Published | Jul 12 | http://www.etsi.org/deliver/etsi_ts/136100_136199/136113/10.05.00_60/ |
| TTA | TTAT.3G-36.113(R10-10.4.0) | 10.4.0 | Approved | Aug 12 | http://www.tta.or.kr/data/ttasDown.jsp?where=14688&pk_num=TTAT.3G-36.113(R10-10.4.0) |
| Release 11 | | | | | |
| ATIS | ATIS.3GPP.36.113V1120-2013 | 11.2.0 | Approved | Jun 13 | https://www.atis.org/docstore/default.aspx |
| ETSI | ETSI TS 136 113 | 11.2.0 | Published | Feb 13 | http://www.etsi.org/deliver/etsi_ts/136100_136199/136113/11.02.00_60/ |
| TTA | TTAT.3G-36.113(R11-11.2.0) | 11.2.0 | published | Aug 13 | http://www.tta.or.kr/data/ttasDown.jsp?where=14688&pk_num=TTAT.3G-36.113(R11-11.2.0) |

5.1.2.9.5 TS 36.116

Evolved Universal Terrestrial Radio Access (E-UTRA); Relay radio transmission and reception

This document establishes the minimum RF characteristics and minimum performance requirements of E-UTRA Relay

| SDO (2) | Document No. | Version | Status | Issued date | Location (1) |
|-------------------|----------------------------|---------|-----------|-------------|---|
| Release 11 | | | | | |
| ATIS | ATIS.3GPP.36.116V1120-2013 | 11.2.0 | Approved | Jun 13 | https://www.atis.org/docstore/default.aspx |
| CCSA | CCSA-TSD-DS-36.116 | 11.3.0 | Published | Jun 14 | http://www.ccsa.org.cn/english/tc/files.php?docpath=/ITU-R/M.1457/M.1457-12/DS |

| | | | | | |
|------|----------------------------|--------|-----------|--------|---|
| ETSI | ETSI TS 136 116 | 11.2.0 | Published | Apr 13 | http://www.etsi.org/deliver/etsi_ts/136100_136199/136116/11.02.00_60/ |
| TTA | TTAT.3G-36.116(R11-11.2.0) | 11.2.0 | published | Aug 13 | http://www.tta.or.kr/data/ttasDown.jsp?where=14688&pk_num=TTAT.3G-36.116(R11-11.2.0) |

5.1.2.9.6 TS 36.124

Evolved Universal Terrestrial Radio Access (E-UTRA); Electromagnetic compatibility (EMC) requirements for mobile terminals and ancillary equipment

This document establishes the essential EMC requirements for “3rd generation” digital cellular mobile terminal equipment and ancillary accessories in combination with a 3GPP E-UTRA user equipment (UE).

| SDO (2) | Document No. | Version | Status | Issued date | Location (1) |
|-------------------|----------------------------|---------|-----------|-------------|---|
| Release 8 | | | | | |
| ARIB | ARIB STD-T63-36.124 | 8.2.0 | Approved | Jul 13 | http://www.arib.or.jp/english/html/overview/doc/STD-T63v10_00/2_T63/ARIB-STD-T63/Rel8/36/A36124-820.pdf |
| ATIS | ATIS.3GPP.36.124V820-2012 | 8.2.0 | Approved | Jul 12 | https://www.atis.org/docstore/default.aspx |
| CCSA | CCSA-TSD-DS-36.124 | 8.2.0 | Published | Jun 12 | http://www.ccsa.org.cn/english/tc/files.php?docpath=/ITU-R/M.1457/M.1457-12/DS |
| ETSI | ETSI TS 136 124 | 8.2.0 | Published | Jan 11 | http://www.etsi.org/deliver/etsi_ts/136100_136199/136124/08.02.00_60/ |
| TTA | TTAT.3G-36.124(R8-8.0.0) | 8.0.0 | Approved | Jul 09 | http://www.tta.or.kr/data/ttasDown.jsp?where=14688&pk_num=TTAT.3G-36.124(R8-8.0.0) |
| Release 9 | | | | | |
| ARIB | ARIB STD-T63-36.124 | 9.2.0 | Approved | Jul 13 | http://www.arib.or.jp/english/html/overview/doc/STD-T63v10_00/2_T63/ARIB-STD-T63/Rel9/36/A36124-920.pdf |
| ATIS | ATIS.3GPP.36.124V920-2012 | 9.2.0 | Approved | Jul 12 | https://www.atis.org/docstore/default.aspx |
| CCSA | CCSA-TSD-DS-36.124 | 9.2.0 | Published | Jun 12 | http://www.ccsa.org.cn/english/tc/files.php?docpath=/ITU-R/M.1457/M.1457-12/DS |
| ETSI | ETSI TS 136 124 | 9.2.0 | Published | Jan 11 | http://www.etsi.org/deliver/etsi_ts/136100_136199/136124/09.02.00_60/ |
| TTA | TTAT.3G-36.124(R9-9.1.0) | 9.1.0 | Approved | Jul 10 | http://www.tta.or.kr/data/ttasDown.jsp?where=14688&pk_num=TTAT.3G-36.124(R9-9.1.0) |
| Release 10 | | | | | |
| ATIS | ATIS.3GPP.36.124V1030-2012 | 10.3.0 | Approved | Jul 12 | https://www.atis.org/docstore/default.aspx |
| CCSA | CCSA-TSD-DS-36.124 | 10.3.0 | Published | Jun 12 | http://www.ccsa.org.cn/english/tc/files.php?docpath=/ITU-R/M.1457/M.1457-12/DS |
| ETSI | ETSI TS 136 124 | 10.3.0 | Published | Nov 11 | http://www.etsi.org/deliver/etsi_ts/136100_136199/136124/10.03.00_60/ |
| TTA | TTAT.3G-36.124(R10-10.3.0) | 10.3.0 | Approved | Aug 12 | http://www.tta.or.kr/data/ttasDown.jsp?where=14688&pk_num=TTAT.3G-36.124(R10-10.3.0) |
| Release 11 | | | | | |
| ATIS | ATIS.3GPP.36.124V1120-2013 | 11.2.0 | Approved | Jun 13 | https://www.atis.org/docstore/default.aspx |
| CCSA | CCSA-TSD-DS-36.124 | 11.2.0 | Published | Jun 14 | http://www.ccsa.org.cn/english/tc/files.php?docpath=/ITU-R/M.1457/M.1457-12/DS |
| ETSI | ETSI TS 136 124 | 11.2.0 | Published | Feb 13 | http://www.etsi.org/deliver/etsi_ts/136100_136199/136124/11.02.00_60/ |
| TTA | TTAT.3G-36.124(R11-11.2.0) | 11.2.0 | published | Aug 13 | http://www.tta.or.kr/data/ttasDown.jsp?where=14688&pk_num=TTAT.3G-36.124(R11-11.2.0) |

5.1.2.9.7 TS 36.141

Evolved Universal Terrestrial Radio Access (E-UTRA); Base Station (BS) conformance testing

This document specifies the Radio Frequency (RF) test methods and conformance requirements for E-UTRA Base Stations (BS).

| SDO (2) | Document No. | Version | Status | Issued date | Location (1) |
|------------------|-----------------------------|---------|-----------|-------------|---|
| TTA | TTAT.3G-36.141(R10-10.10.0) | 10.10.0 | published | Aug 13 | http://www.tta.or.kr/data/ttasDown.jsp?where=14688&pk_num=TTAT.3G-36.141(R10-10.10.0) |
| Release 8 | | | | | |
| ARIB | ARIB STD-T63-36.141 | 8.12.0 | Approved | Jul 13 | http://www.arib.or.jp/english/html/overview/doc/STD-T63v10_40/2_T63/ARIB-STD-T63/Rel8/36/A36141-8c0.pdf |

| | | | | | |
|-------------------|----------------------------|---------|-----------|--------|---|
| ATIS | ATIS.3GPP.36.141V8120-2014 | 8.12.0 | Approved | May 14 | https://www.atis.org/docstore/default.aspx |
| CCSA | CCSA-TSD-DS-36.141 | 8.11.0 | Published | Jun 12 | http://www.ccsa.org.cn/english/tc/files.php?docpath=/ITU-R/M.1457/M.1457-12/DS |
| ETSI | ETSI TS 136 141 | 8.12.0 | Published | Jul 12 | http://www.etsi.org/deliver/etsi_ts/136100_136199/136141/08.12.00_60/ |
| TTA | TTAT.3G-36.141(R8-8.2.0) | 8.2.0 | Approved | Jul 09 | http://www.tta.or.kr/data/ttasDown.jsp?where=14688&pk_num=TTAT.3G-36.141(R8-8.2.0) |
| Release 9 | | | | | |
| ARIB | ARIB STD-T63-36.141 | 9.11.0 | Approved | Jul 13 | http://www.arib.or.jp/english/html/overview/doc/STD-T63v10_00/2_T63/ARIB-STD-T63/Rel9/36/A36141-9b0.pdf |
| ATIS | ATIS.3GPP.36.141V9110-2014 | 9.11.0 | Approved | May 14 | https://www.atis.org/docstore/default.aspx |
| CCSA | CCSA-TSD-DS-36.141 | 9.9.0 | Published | Jun 12 | http://www.ccsa.org.cn/english/tc/files.php?docpath=/ITU-R/M.1457/M.1457-12/DS |
| ETSI | ETSI TS 136 141 | 9.11.0 | Published | Oct 12 | http://www.etsi.org/deliver/etsi_ts/136100_136199/136141/09.11.00_60/ |
| TTA | TTAT.3G-36.141(R9-9.3.0) | 9.3.0 | Approved | Jul 10 | http://www.tta.or.kr/data/ttasDown.jsp?where=14688&pk_num=TTAT.3G-36.141(R9-9.3.0) |
| Release 10 | | | | | |
| ATIS | ATIS.3GPP.36.141V10100- | 10.10.0 | Approved | Jun 13 | https://www.atis.org/docstore/default.aspx |
| CCSA | CCSA-TSD-DS-36.141 | 10.5.0 | Published | Jun 12 | http://www.ccsa.org.cn/english/tc/files.php?docpath=/ITU-R/M.1457/M.1457-12/DS |
| ETSI | ETSI TS 136 141 | 10.10.0 | Published | Apr 13 | http://www.etsi.org/deliver/etsi_ts/136100_136199/136141/10.10.00_60/ |
| TTA | TTAT.3G-36.141(R10-10.6.0) | 10.6.0 | Approved | Aug 12 | http://www.tta.or.kr/data/ttasDown.jsp?where=14688&pk_num=TTAT.3G-36.141(R10-10.6.0) |
| Release 11 | | | | | |
| ATIS | ATIS.3GPP.36.141V1140-2013 | 11.4.0 | Approved | Jun 13 | https://www.atis.org/docstore/default.aspx |
| CCSA | CCSA-TSD-DS-36.141 | 11.8.0 | Published | Jun 14 | http://www.ccsa.org.cn/english/tc/files.php?docpath=/ITU-R/M.1457/M.1457-12/DS |
| ETSI | ETSI TS 136 141 | 11.4.0 | Published | Apr 13 | http://www.etsi.org/deliver/etsi_ts/136100_136199/136141/11.04.00_60/ |
| TTA | TTAT.3G-36.141(R11-11.4.0) | 11.4.0 | published | Aug 13 | http://www.tta.or.kr/data/ttasDown.jsp?where=14688&pk_num=TTAT.3G-36.141(R11-11.4.0) |

5.1.2.9.8 TS 36.143

Evolved Universal Terrestrial Radio Access (E-UTRA); FDD repeater conformance testing

This document specifies the Radio Frequency (RF) test methods and Minimum Requirements for UTRA FDD Repeaters.

| SDO (2) | Document No. | Version | Status | Issued date | Location (1) |
|-------------------|----------------------------|---------|-----------|-------------|---|
| TTA | TTAT.3G-36.143(R10-10.7.0) | 10.7.0 | published | Aug 13 | http://www.tta.or.kr/data/ttasDown.jsp?where=14688&pk_num=TTAT.3G-36.143(R10-10.7.0) |
| Release 8 | | | | | |
| CCSA | CCSA-TSD-DS-36.143 | 8.4.0 | Published | Jun 12 | http://www.ccsa.org.cn/english/tc/files.php?docpath=/ITU-R/M.1457/M.1457-12/DS |
| ETSI | ETSI TS 136 143 | 8.5.0 | Published | Jul 12 | http://www.etsi.org/deliver/etsi_ts/136100_136199/136143/08.05.00_60/ |
| Release 9 | | | | | |
| ATIS | ATIS.3GPP.36.143V930-2014 | 9.3.0 | Approved | May 14 | https://www.atis.org/docstore/default.aspx |
| CCSA | CCSA-TSD-DS-36.143 | 9.2.0 | Published | Jun 12 | http://www.ccsa.org.cn/english/tc/files.php?docpath=/ITU-R/M.1457/M.1457-12/DS |
| ETSI | ETSI TS 136 143 | 9.3.0 | Published | Jul 12 | http://www.etsi.org/deliver/etsi_ts/136100_136199/136143/09.03.00_60/ |
| TTA | TTAT.3G-36.143(R9-9.0.0) | 9.0.0 | Approved | Jul 10 | http://www.tta.or.kr/data/ttasDown.jsp?where=14688&pk_num=TTAT.3G-36.143(R9-9.0.0) |
| Release 10 | | | | | |
| ATIS | ATIS.3GPP.36.143V1070-2013 | 10.7.0 | Approved | Jun 13 | https://www.atis.org/docstore/default.aspx |
| CCSA | CCSA-TSD-DS-36.143 | 10.2.0 | Published | Jun 12 | http://www.ccsa.org.cn/english/tc/files.php?docpath=/ITU-R/M.1457/M.1457-12/DS |
| ETSI | ETSI TS 136 143 | 10.7.0 | Published | Apr 13 | http://www.etsi.org/deliver/etsi_ts/136100_136199/136143/10.07.00_60/ |
| TTA | TTAT.3G-36.143(R10-10.3.0) | 10.3.0 | Approved | Aug 12 | http://www.tta.or.kr/data/ttasDown.jsp?where=14688&pk_num=TTAT.3G-36.143(R10-10.3.0) |
| Release 11 | | | | | |
| ATIS | ATIS.3GPP.36.143V1120-2013 | 11.2.0 | Approved | Jun 13 | https://www.atis.org/docstore/default.aspx |

| | | | | | |
|------|----------------------------|--------|-----------|--------|---|
| CCSA | CCSA-TSD-DS-36.143 | 11.2.0 | Published | Jun 14 | http://www.ccsa.org.cn/english/tc/files.php?docpath=/ITU-R/M.1457/M.1457-12/DS |
| ETSI | ETSI TS 136 143 | 11.2.0 | Published | Apr 13 | http://www.etsi.org/deliver/etsi_ts/136100_136199/136143/11.02.00_60/ |
| TTA | TTAT.3G-36.143(R11-11.2.0) | 11.2.0 | published | Aug 13 | http://www.tta.or.kr/data/ttasDown.jsp?where=14688&pk_num=TTAT.3G-36.143(R11-11.2.0) |

5.1.2.9.9 TS 36.133

Evolved Universal Terrestrial Radio Access (E-UTRA); Requirements for support of radio resource management

This specification specifies requirements for support of Radio Resource Management for the FDD and TDD modes of Evolved UTRA. These requirements include requirements on measurements in UTRAN and the UE as well as requirements on node dynamical behaviour and interaction, in terms of delay and response characteristics.

| SDO (2) | Document No. | Version | Status | Issued date | Location (1) |
|-------------------|----------------------------|---------|-----------|-------------|---|
| Release 8 | | | | | |
| ARIB | ARIB STD-T63-36.133 | 8.21.0 | Approved | Jul 13 | http://www.arib.or.jp/english/html/overview/doc/STD-T63v10_00/2_T63/ARIB-STD-T63/Rel8/36/A36133-810.pdf |
| ATIS | ATIS.3GPP.36.133V8210-2014 | 8.21.0 | Approved | May 14 | https://www.atis.org/docstore/default.aspx |
| CCSA | CCSA-TSD-DS-36.133 | 8.16.0 | Published | Jun 12 | http://www.ccsa.org.cn/english/tc/files.php?docpath=/ITU-R/M.1457/M.1457-12/DS |
| ETSI | ETSI TS 136 133 | 8.21.0 | Published | Apr 13 | http://www.etsi.org/deliver/etsi_ts/136100_136199/136133/08.21.00_60/ |
| TTA | TTAT.3G-36.133(R8-8.5.0) | 8.5.0 | Approved | Jul 09 | http://www.tta.or.kr/data/ttasDown.jsp?where=14688&pk_num=TTAT.3G-36.133(R8-8.5.0) |
| Release 9 | | | | | |
| ARIB | ARIB STD-T63-36.133 | 9.15.0 | Approved | Jul 13 | http://www.arib.or.jp/english/html/overview/doc/STD-T63v10_00/2_T63/ARIB-STD-T63/Rel9/36/A36133-9f0.pdf |
| ATIS | ATIS.3GPP.36.133V9150-2014 | 9.15.0 | Approved | May 14 | https://www.atis.org/docstore/default.aspx |
| CCSA | CCSA-TSD-DS-36.133 | 9.10.0 | Published | Jun 12 | http://www.ccsa.org.cn/english/tc/files.php?docpath=/ITU-R/M.1457/M.1457-12/DS |
| ETSI | ETSI TS 136 133 | 9.15.0 | Published | Apr 13 | http://www.etsi.org/deliver/etsi_ts/136100_136199/136133/09.15.00_60/ |
| TTA | TTAT.3G-36.133(R9-9.3.0) | 9.3.0 | Approved | Jul 10 | http://www.tta.or.kr/data/ttasDown.jsp?where=14688&pk_num=TTAT.3G-36.133(R9-9.3.0) |
| Release 10 | | | | | |
| ATIS | ATIS.3GPP.36.133V10100- | 10.10.0 | Approved | Jun 13 | https://www.atis.org/docstore/default.aspx |
| CCSA | CCSA-TSD-DS-36.133 | 10.5.0 | Published | Jun 12 | http://www.ccsa.org.cn/english/tc/files.php?docpath=/ITU-R/M.1457/M.1457-12/DS |
| ETSI | ETSI TS 136 133 | 10.10.0 | Published | Apr 13 | http://www.etsi.org/deliver/etsi_ts/136100_136199/136133/10.10.00_60/ |
| TTA | TTAT.3G-36.133(R10-10.6.0) | 10.6.0 | Approved | Aug 12 | http://www.tta.or.kr/data/ttasDown.jsp?where=14688&pk_num=TTAT.3G-36.133(R10-10.6.0) |
| Release 11 | | | | | |
| ATIS | ATIS.3GPP.36.133V1140-2013 | 11.4.0 | Approved | Jun 13 | https://www.atis.org/docstore/default.aspx |
| CCSA | CCSA-TSD-DS-36.133 | 11.8.0 | Published | Jun 14 | http://www.ccsa.org.cn/english/tc/files.php?docpath=/ITU-R/M.1457/M.1457-12/DS |
| ETSI | ETSI TS 136 133 | 11.4.0 | Published | Apr 13 | http://www.etsi.org/deliver/etsi_ts/136100_136199/136133/11.04.00_60/ |
| TTA | TTAT.3G-36.133(R11-11.4.0) | 11.4.0 | published | Aug 13 | http://www.tta.or.kr/data/ttasDown.jsp?where=14688&pk_num=TTAT.3G-36.133(R11-11.4.0) |

5.1.2.9.10 TS 36.171

Evolved Universal Terrestrial Radio Access (E-UTRA); Requirements for Support of Assisted Global Navigation Satellite System (A-GNSS)

This document establishes the minimum performance requirements for A-GNSS (including A-GPS) for FDD or TDD mode of E-UTRA for the User Equipment (UE).

| SDO (2) | Document No. | Version | Status | Issued date | Location (1) |
|-------------------|----------------------------|---------|-----------|-------------|---|
| Release 9 | | | | | |
| ARIB | ARIB STD-T63-36.171 | 9.2.0 | Approved | Jul 13 | http://www.arib.or.jp/english/html/overview/doc/STD-T63v10_40/2_T63/ARIB-STD-T63/Rel9/36/A36171-920.pdf |
| CCSA | CCSA-TSD-DS-36.171 | 9.2.0 | Published | Jun 12 | http://www.ccsa.org.cn/english/tc/files.php?docpath=/ITU-R/M.1457/M.1457-12/DS |
| ETSI | ETSI TS 136 171 | 9.2.0 | Published | May 11 | http://www.etsi.org/deliver/etsi_ts/136100_136199/136171/09.02.00_60/ |
| Release 10 | | | | | |
| ATIS | ATIS.3GPP.36.171V1010-2011 | 10.1.0 | Approved | Jul 11 | https://www.atis.org/docstore/default.aspx |
| CCSA | CCSA-TSD-DS-36.171 | 10.1.0 | Published | Jun 12 | http://www.ccsa.org.cn/english/tc/files.php?docpath=/ITU-R/M.1457/M.1457-12/DS |
| ETSI | ETSI TS 136 171 | 10.1.0 | Published | May 11 | http://www.etsi.org/deliver/etsi_ts/136100_136199/136171/10.01.00_60/ |
| TTA | TTAT.3G-36.171(R10-10.1.0) | 10.1.0 | Approved | Aug 11 | http://www.tta.or.kr/data/ttasDown.jsp?where=14688&pk_num=TTAT.3G-36.171(R10-10.1.0) |
| Release 11 | | | | | |
| ATIS | ATIS.3GPP.36.171V1100-2013 | 11.0.0 | Approved | Jun 13 | https://www.atis.org/docstore/default.aspx |
| CCSA | CCSA-TSD-DS-36.171 | 11.1.0 | Published | Jun 14 | http://www.ccsa.org.cn/english/tc/files.php?docpath=/ITU-R/M.1457/M.1457-12/DS |
| ETSI | ETSI TS 136 171 | 11.0.0 | Published | Oct 12 | http://www.etsi.org/deliver/etsi_ts/136100_136199/136171/11.00.00_60/ |
| TTA | TTAT.3G-36.171(R11-11.0.0) | 11.0.0 | published | Aug 13 | http://www.tta.or.kr/data/ttasDown.jsp?where=14688&pk_num=TTAT.3G-36.171(R11-11.0.0) |

5.1.2.10 36.500 series

5.1.2.10.1 TS 36.508

Evolved Universal Terrestrial Radio Access (E-UTRA) and Evolved Packet Core (EPC); Common test environments for User Equipment (UE) conformance testing

This document contains definitions of reference conditions and test signals, default parameters, reference radio bearer configurations used in radio bearer interoperability testing, common radio bearer configurations for other test purposes, common requirements for test equipment and generic set-up procedures for use in conformance tests for the 3rd Generation E-UTRAN User Equipment (UE).

| SDO (2) | Document No. | Version | Status | Issued date | Location (1) |
|-------------------|----------------------------|---------|-----------|-------------|---|
| TTA | TTAT.3G-36.508(R10-10.4.0) | 10.4.0 | published | Aug 13 | http://www.tta.or.kr/data/ttasDown.jsp?where=14688&pk_num=TTAT.3G-36.508(R10-10.4.0) |
| Release 8 | | | | | |
| ARIB | ARIB STD-T63-36.508 | 8.6.0 | Approved | Jul 13 | http://www.arib.or.jp/english/html/overview/doc/STD-T63v10_00/2_T63/ARIB-STD-T63/Rel8/36/A36508-860.pdf |
| ATIS | ATIS.3GPP.36.508V860-2012 | 8.6.0 | Approved | Jul 12 | https://www.atis.org/docstore/default.aspx |
| CCSA | CCSA-TSD-DS-36.508 | 8.6.0 | Published | Mar 10 | http://www.ccsa.org.cn/english/tc/files.php?docpath=/ITU-R/M.1457/M.1457-12/DS |
| ETSI | ETSI TS 136 508 | 8.6.0 | Published | Jun 10 | http://www.etsi.org/deliver/etsi_ts/136500_136599/136508/08.06.00_60/ |
| TTA | TTAT.3G-36.508(R8-8.1.0) | 8.1.0 | Approved | Jul 09 | http://www.tta.or.kr/data/ttasDown.jsp?where=14688&pk_num=TTAT.3G-36.508(R8-8.1.0) |
| Release 9 | | | | | |
| ARIB | ARIB STD-T63-36.508 | 9.9.0 | Approved | Jul 13 | http://www.arib.or.jp/english/html/overview/doc/STD-T63v10_00/2_T63/ARIB-STD-T63/Rel9/36/A36508-990.pdf |
| ATIS | ATIS.3GPP.36.508V990-2014 | 9.9.0 | Approved | May 14 | https://www.atis.org/docstore/default.aspx |
| CCSA | CCSA-TSD-DS-36.508 | 9.7.0 | Published | Mar 10 | http://www.ccsa.org.cn/english/tc/files.php?docpath=/ITU-R/M.1457/M.1457-12/DS |
| ETSI | ETSI TS 136 508 | 9.9.0 | Published | Jul 12 | http://www.etsi.org/deliver/etsi_ts/136500_136599/136508/09.09.00_60/ |
| TTA | TTAT.3G-36.508(R9-9.0.0) | 9.0.0 | Approved | Jul 10 | http://www.tta.or.kr/data/ttasDown.jsp?where=14688&pk_num=TTAT.3G-36.508(R9-9.0.0) |
| Release 10 | | | | | |
| ATIS | ATIS.3GPP.36.508V1040-2013 | 10.4.0 | Approved | Jun 13 | https://www.atis.org/docstore/default.aspx |

| | | | | | |
|-------------------|----------------------------|--------|-----------|--------|---|
| ETSI | ETSI TS 136 508 | 10.4.0 | Published | May 13 | http://www.etsi.org/deliver/etsi_ts/136500_136599/136508/10.04.00_60/ |
| TTA | TTAT.3G-36.508(R10-10.0.0) | 10.0.0 | Approved | Aug 12 | http://www.tta.or.kr/data/ttasDown.jsp?where=14688&pk_num=TTAT.3G-36.508(R10-10.0.0) |
| Release 11 | | | | | |
| ATIS | ATIS.3GPP.36.508V1100-2013 | 11.0.0 | Approved | Jun 13 | https://www.atis.org/docstore/default.aspx |
| CCSA | CCSA-TSD-DS-36.508 | 11.4.0 | Published | Jun 14 | http://www.ccsa.org.cn/english/tc/files.php?docpath=/ITU-R/M.1457/M.1457-12/DS |
| ETSI | ETSI TS 136 508 | 11.0.0 | Published | May 13 | http://www.etsi.org/deliver/etsi_ts/136500_136599/136508/11.00.00_60/ |
| TTA | TTAT.3G-36.508(R11-11.0.0) | 11.0.0 | published | Aug 13 | http://www.tta.or.kr/data/ttasDown.jsp?where=14688&pk_num=TTAT.3G-36.508(R11-11.0.0) |

5.1.2.10.2 TS 36.509

Evolved Universal Terrestrial Radio Access (E-UTRA) and Evolved Packet Core (EPC); Special conformance testing functions for User Equipment (UE)

This document defines for User Equipment (UE) those special functions and their activation methods that are required in User Equipment (UE) for conformance testing purposes.

| SDO (2) | Document No. | Version | Status | Issued date | Location (1) |
|-------------------|----------------------------|---------|-----------|-------------|---|
| TTA | TTAT.3G-36.509(R10-10.0.0) | 10.0.0 | published | Aug 13 | http://www.tta.or.kr/data/ttasDown.jsp?where=14688&pk_num=TTAT.3G-36.509(R10-10.0.0) |
| Release 8 | | | | | |
| ARIB | ARIB STD-T63-36.509 | 8.7.0 | Approved | Jul 13 | http://www.arib.or.jp/english/html/overview/doc/STD-T63v10_00/2_T63/ARIB-STD-T63/Rel8/36/A36509-870.pdf |
| ATIS | ATIS.3GPP.36.509V870-2012 | 8.7.0 | Approved | Jul 12 | https://www.atis.org/docstore/default.aspx |
| CCSA | CCSA-TSD-DS-36.509 | 8.7.0 | Published | Jun 12 | http://www.ccsa.org.cn/english/tc/files.php?docpath=/ITU-R/M.1457/M.1457-12/DS |
| ETSI | ETSI TS 136 509 | 8.7.0 | Published | Jul 11 | http://www.etsi.org/deliver/etsi_ts/136500_136599/136509/08.07.00_60/ |
| TTA | TTAT.3G-36.509(R8-8.1.0) | 8.1.0 | Approved | Jul 09 | http://www.tta.or.kr/data/ttasDown.jsp?where=14688&pk_num=TTAT.3G-36.509(R8-8.1.0) |
| Release 9 | | | | | |
| ARIB | ARIB STD-T63-36.509 | 9.6.0 | Approved | Jul 13 | http://www.arib.or.jp/english/html/overview/doc/STD-T63v10_00/2_T63/ARIB-STD-T63/Rel9/36/A36509-960.pdf |
| ATIS | ATIS.3GPP.36.509V960-2014 | 9.6.0 | Approved | May 14 | https://www.atis.org/docstore/default.aspx |
| CCSA | CCSA-TSD-DS-36.509 | 9.5.0 | Published | Jun 12 | http://www.ccsa.org.cn/english/tc/files.php?docpath=/ITU-R/M.1457/M.1457-12/DS |
| ETSI | ETSI TS 136 509 | 9.6.0 | Published | Oct 12 | http://www.etsi.org/deliver/etsi_ts/136500_136599/136509/09.06.00_60/ |
| TTA | TTAT.3G-36.509(R9-9.0.0) | 9.0.0 | Approved | Jul 10 | http://www.tta.or.kr/data/ttasDown.jsp?where=14688&pk_num=TTAT.3G-36.509(R9-9.0.0) |
| Release 10 | | | | | |
| ATIS | ATIS.3GPP.36.509V1000-2013 | 10.0.0 | Approved | Jun 13 | https://www.atis.org/docstore/default.aspx |
| ETSI | ETSI TS 136 509 | 10.0.0 | Published | Oct 12 | http://www.etsi.org/deliver/etsi_ts/136500_136599/136509/10.00.00_60/ |

5.1.2.10.3 TS 36.521-1

Evolved Universal Terrestrial Radio Access (E-UTRA); User Equipment (UE) conformance specification; Radio transmission and reception; Part 1: Conformance testing

This document specifies the measurement procedures for the conformance test of the user equipment (UE) that contain transmitting characteristics, receiving characteristics and performance requirements.

| SDO (2) | Document No. | Version | Status | Issued date | Location (1) |
|---------|------------------------------|---------|-----------|-------------|---|
| TTA | TTAT.3G-36.521-1(R10-10.5.0) | 10.5.0 | published | Aug 13 | http://www.tta.or.kr/data/ttasDown.jsp?where=14688&pk_num=TTAT.3G-36.521-1(R10-10.5.0) |

Release 8

| | | | | | |
|------|-----------------------------|-------|-----------|--------|---|
| ARIB | ARIB STD-T63-36.521-1 | 8.6.0 | Approved | Jul 13 | http://www.arib.or.jp/english/html/overview/doc/STD-T63v10_00/2_T63/ARIB-STD-T63/Rel8/36/A36521-1-860.pdf |
| ATIS | ATIS.3GPP.36.521-1V860-2012 | 8.6.0 | Approved | Jul 12 | https://www.atis.org/docstore/default.aspx |
| CCSA | CCSA-TSD-DS-36.521-1 | 8.6.0 | Published | Jun 12 | http://www.ccsa.org.cn/english/tc/files.php?docpath=/ITU-R/M.1457/M.1457-12/DS |
| ETSI | ETSI TS 136 521-1 | 8.6.0 | Published | Jun 10 | http://www.etsi.org/deliver/etsi_ts/136500_136599/13652101/08.06.00_60/ |
| TTA | TTAT.3G-36.521-1(R8-8.1.0) | 8.1.0 | Approved | Jul 09 | http://www.tta.or.kr/data/ttasDown.jsp?where=14688&pk_num=TTAT.3G-36.521-1(R8-8.1.0) |

Release 9

| | | | | | |
|------|-----------------------------|-------|-----------|--------|---|
| ARIB | ARIB STD-T63-36.521-1 | 9.8.0 | Approved | Jul 13 | http://www.arib.or.jp/english/html/overview/doc/STD-T63v10_00/2_T63/ARIB-STD-T63/Rel9/36/A36521-1-980.pdf |
| ATIS | ATIS.3GPP.36.521-1V980-2014 | 9.8.0 | Approved | May 14 | https://www.atis.org/docstore/default.aspx |
| CCSA | CCSA-TSD-DS-36.521-1 | 9.7.0 | Published | Jun 12 | http://www.ccsa.org.cn/english/tc/files.php?docpath=/ITU-R/M.1457/M.1457-12/DS |
| ETSI | ETSI TS 136 521-1 | 9.8.0 | Published | Mar 12 | http://www.etsi.org/deliver/etsi_ts/136500_136599/13652101/09.08.00_60/ |
| TTA | TTAT.3G-36.521-1(R9-9.0.0) | 9.0.0 | Approved | Jul 10 | http://www.tta.or.kr/data/ttasDown.jsp?where=14688&pk_num=TTAT.3G-36.521-1(R9-9.0.0) |

Release 10

| | | | | | |
|------|------------------------------|--------|-----------|--------|---|
| ATIS | ATIS.3GPP.36.521-1V1050-2013 | 10.5.0 | Approved | Jun 13 | https://www.atis.org/docstore/default.aspx |
| CCSA | CCSA-TSD-DS-36.521-1 | 10.0.0 | Published | Jun 12 | http://www.ccsa.org.cn/english/tc/files.php?docpath=/ITU-R/M.1457/M.1457-12/DS |
| ETSI | ETSI TS 136 521-1 | 10.5.0 | Published | May 13 | http://www.etsi.org/deliver/etsi_ts/136500_136599/13652101/10.05.00_60/ |
| TTA | TTAT.3G-36.521-1(R10-10.0.0) | 10.0.0 | Approved | Aug 12 | http://www.tta.or.kr/data/ttasDown.jsp?where=14688&pk_num=TTAT.3G-36.521-1(R10-10.0.0) |

Release 11

| | | | | | |
|------|------------------------------|--------|-----------|--------|---|
| ATIS | ATIS.3GPP.36.521-1V1101-2013 | 11.0.1 | Approved | Jun 13 | https://www.atis.org/docstore/default.aspx |
| CCSA | CCSA-TSD-DS-36.521-1 | 11.4.0 | Published | Jun 14 | http://www.ccsa.org.cn/english/tc/files.php?docpath=/ITU-R/M.1457/M.1457-12/DS |
| ETSI | ETSI TS 136 521-1 | 11.0.1 | Published | May 13 | http://www.etsi.org/deliver/etsi_ts/136500_136599/13652101/11.00.01_60/ |
| TTA | TTAT.3G-36.521-1(R11-11.0.1) | 11.0.1 | published | Aug 13 | http://www.tta.or.kr/data/ttasDown.jsp?where=14688&pk_num=TTAT.3G-36.521-1(R11-11.0.1) |

5.1.2.10.4 TS 36.521-2**Evolved Universal Terrestrial Radio Access (E-UTRA); User Equipment (UE) conformance specification; Radio transmission and reception; Part 2: Implementation Conformance Statement (ICS)**

This document provides the Implementation Conformance Statement (ICS) proforma for 3G Evolved Universal Terrestrial Radio Access (E-UTRA) User Equipment (UE), in compliance with the relevant requirements, and in accordance with the relevant guidance given in ISO/IEC 9646-1 and ISO/IEC 9646-7.

| SDO (2) | Document No. | Version | Status | Issued date | Location (1) |
|------------------|------------------------------|---------|-----------|-------------|---|
| TTA | TTAT.3G-36.521-2(R10-10.5.0) | 10.5.0 | published | Aug 13 | http://www.tta.or.kr/data/ttasDown.jsp?where=14688&pk_num=TTAT.3G-36.521-2(R10-10.5.0) |
| Release 8 | | | | | |
| ARIB | ARIB STD-T63-36.521-2 | 8.5.0 | Approved | Jul 13 | http://www.arib.or.jp/english/html/overview/doc/STD-T63v10_00/2_T63/ARIB-STD-T63/Rel8/36/A36521-2-850.pdf |
| ATIS | ATIS.3GPP.36.521-2V850-2012 | 8.5.0 | Approved | Jul 12 | https://www.atis.org/docstore/default.aspx |
| CCSA | CCSA-TSD-DS-36.521-2 | 8.5.0 | Published | Jun 12 | http://www.ccsa.org.cn/english/tc/files.php?docpath=/ITU-R/M.1457/M.1457-12/DS |
| ETSI | ETSI TS 136 521-2 | 8.5.0 | Published | Jun 10 | http://www.etsi.org/deliver/etsi_ts/136500_136599/13652102/08.05.00_60/ |
| TTA | TTAT.3G-36.521-2(R8-8.0.1) | 8.0.1 | Approved | Jul 09 | http://www.tta.or.kr/data/ttasDown.jsp?where=14688&pk_num=TTAT.3G-36.521-2(R8-8.0.1) |
| Release 9 | | | | | |
| ARIB | ARIB STD-T63-36.521-2 | 9.9.0 | Approved | Jul 13 | http://www.arib.or.jp/english/html/overview/doc/STD-T63v10_00/2_T63/ARIB-STD-T63/Rel9/36/A36521-2-990.pdf |

| | | | | | |
|-------------------|------------------------------|--------|-----------|--------|---|
| ATIS | ATIS.3GPP.36.521-2V990-2014 | 9.9.0 | Approved | May 14 | https://www.atis.org/docstore/default.aspx |
| CCSA | CCSA-TSD-DS-36.521-2 | 9.7.0 | Published | Jun 12 | http://www.ccsa.org.cn/english/tc/files.php?docpath=/ITU-R/M.1457/M.1457-12/DS |
| ETSI | ETSI TS 136 521-2 | 9.9.0 | Published | Nov 12 | http://www.etsi.org/deliver/etsi_ts/136500_136599/13652102/09.09.00_60/ |
| TTA | TTAT.3G-36.521-2(R9-9.0.0) | 9.0.0 | Approved | Jul 10 | http://www.tta.or.kr/data/ttasDown.jsp?where=14688&pk_num=TTAT.3G-36.521-2(R9-9.0.0) |
| Release 10 | | | | | |
| ATIS | ATIS.3GPP.36.521-2V1050-2013 | 10.5.0 | Approved | Jun 13 | https://www.atis.org/docstore/default.aspx |
| CCSA | CCSA-TSD-DS-36.521-2 | 10.0.0 | Published | Jun 12 | http://www.ccsa.org.cn/english/tc/files.php?docpath=/ITU-R/M.1457/M.1457-12/DS |
| ETSI | ETSI TS 136 521-2 | 10.5.0 | Published | Apr 13 | http://www.etsi.org/deliver/etsi_ts/136500_136599/13652102/10.05.00_60/ |
| TTA | TTAT.3G-36.521-2(R10-10.1.0) | 10.1.0 | Approved | Aug 12 | http://www.tta.or.kr/data/ttasDown.jsp?where=14688&pk_num=TTAT.3G-36.521-2(R10-10.1.0) |
| Release 11 | | | | | |
| ATIS | ATIS.3GPP.36.521-2V1100-2013 | 11.0.0 | Approved | Jun 13 | https://www.atis.org/docstore/default.aspx |
| CCSA | CCSA-TSD-DS-36.521-2 | 11.4.0 | Published | Jun 14 | http://www.ccsa.org.cn/english/tc/files.php?docpath=/ITU-R/M.1457/M.1457-12/DS |
| ETSI | ETSI TS 136 521-2 | 11.0.0 | Published | Apr 13 | http://www.etsi.org/deliver/etsi_ts/136500_136599/13652102/11.00.00_60/ |
| TTA | TTAT.3G-36.521-2(R11-11.0.0) | 11.0.0 | published | Aug 13 | http://www.tta.or.kr/data/ttasDown.jsp?where=14688&pk_num=TTAT.3G-36.521-2(R11-11.0.0) |

5.1.2.10.5 TS 36.521-3

Evolved Universal Terrestrial Radio Access (E-UTRA); User Equipment (UE) conformance specification; Radio transmission and reception; Part 3: Radio Resource Management (RRM) conformance testing

This document specifies the measurement procedures for the conformance test of the user equipment (UE) that contain requirements for support of RRM (Radio Resource Management) as part of the 3G Long Term Evolution (3G LTE).

The requirements are listed in different clauses only if the corresponding parameters deviate. More generally, tests are only applicable to those mobiles that are intended to support the appropriate functionality. To indicate the circumstances in which tests apply, this is noted in the “test applicability” part of the test.

For example only Release 8 and later UE declared to support LTE shall be tested for this functionality. In the event that for some tests different conditions apply for different releases, this is indicated within the text of the test itself.

| SDO (2) | Document No. | Version | Status | Issued date | Location (1) |
|-------------------|------------------------------|---------|-----------|-------------|---|
| TTA | TTAT.3G-36.521-3(R10-10.4.0) | 10.4.0 | published | Aug 13 | http://www.tta.or.kr/data/ttasDown.jsp?where=14688&pk_num=TTAT.3G-36.521-3(R10-10.4.0) |
| Release 8 | | | | | |
| ARIB | ARIB STD-T63-36.521-3 | 8.4.0 | Approved | Jul 13 | http://www.arib.or.jp/english/html/overview/doc/STD-T63v10_00/2_T63/ARIB-STD-T63/Rel8/36/A36521-3-840.pdf |
| ETSI | ETSI TS 136 521-3 | 8.4.0 | Published | Jun 10 | http://www.etsi.org/deliver/etsi_ts/136500_136599/13652103/08.04.00_60/ |
| Release 9 | | | | | |
| ARIB | ARIB STD-T63-36.521-3 | 9.10.0 | Approved | Jul 13 | http://www.arib.or.jp/english/html/overview/doc/STD-T63v10_00/2_T63/ARIB-STD-T63/Rel9/36/A36521-3-9a0.pdf |
| ETSI | ETSI TS 136 521-3 | 9.10.0 | Published | Nov 12 | http://www.etsi.org/deliver/etsi_ts/136500_136599/13652103/09.10.00_60/ |
| Release 10 | | | | | |
| ATIS | ATIS.3GPP.36.521-3V1040-2013 | 10.4.0 | Approved | Jun 13 | https://www.atis.org/docstore/default.aspx |
| ETSI | ETSI TS 136 521-3 | 10.4.0 | Published | Jul 13 | http://www.etsi.org/deliver/etsi_ts/136500_136599/13652103/10.04.00_60/ |
| Release 11 | | | | | |
| ATIS | ATIS.3GPP.36.521-3V1100-2013 | 11.0.0 | Approved | Jun 13 | https://www.atis.org/docstore/default.aspx |

| | | | | | |
|------|------------------------------|--------|-----------|--------|---|
| CCSA | CCSA-TSD-DS-36.521-3 | 114.0 | Published | Jun 14 | http://www.ccsa.org.cn/english/tc/files.php?docpath=/ITU-R/M.1457/M.1457-12/DS |
| ETSI | ETSI TS 136 521-3 | 11.0.0 | Published | May 13 | http://www.etsi.org/deliver/etsi_ts/136500_136599/13652103/11.00.00_60/ |
| TTA | TTAT.3G-36.521-3(R11-11.0.0) | 11.0.0 | published | Aug 13 | http://www.tta.or.kr/data/ttasDown.jsp?where=14688&pk_num=TTAT.3G-36.521-3(R11-11.0.0) |

5.1.2.10.6 TS 36.523-1

Evolved Universal Terrestrial Radio Access (E-UTRA) and Evolved Packet Core (EPC); User Equipment (UE) conformance specification; Part 1: Protocol conformance specification

This document specifies the protocol conformance testing for the 3rd Generation E-UTRAN User Equipment (UE).

| SDO (2) | Document No. | Version | Status | Issued date | Location (1) |
|-------------------|------------------------------|---------|-----------|-------------|---|
| TTA | TTAT.3G-36.523-1(R10-10.3.1) | 10.3.1 | published | Aug 13 | http://www.tta.or.kr/data/ttasDown.jsp?where=14688&pk_num=TTAT.3G-36.523-1(R10-10.3.1) |
| Release 8 | | | | | |
| ARIB | ARIB STD-T63-36.523-1 | 8.6.0 | Approved | Jul 13 | http://www.arib.or.jp/english/html/overview/doc/STD-T63v10_00/2_T63/ARIB-STD-T63/Rel8/36/A36523-1-860.pdf |
| ATIS | ATIS.3GPP.36.523-1V860-2012 | 8.6.0 | Approved | Jul 12 | https://www.atis.org/docstore/default.aspx |
| CCSA | CCSA-TSD-DS-36.523-1 | 8.6.0 | Published | Jun 12 | http://www.ccsa.org.cn/english/tc/files.php?docpath=/ITU-R/M.1457/M.1457-12/DS |
| ETSI | ETSI TS 136 523-1 | 8.6.0 | Published | Jun 10 | http://www.etsi.org/deliver/etsi_ts/136500_136599/13652301/08.06.00_60/ |
| TTA | TTAT.3G-36.523-1(R8-8.1.0) | 8.1.0 | Approved | Jul 09 | http://www.tta.or.kr/data/ttasDown.jsp?where=14688&pk_num=TTAT.3G-36.523-1(R8-8.1.0) |
| Release 9 | | | | | |
| ARIB | ARIB STD-T63-36.523-1 | 9.9.0 | Approved | Jul 13 | http://www.arib.or.jp/english/html/overview/doc/STD-T63v10_00/2_T63/ARIB-STD-T63/Rel9/36/A36523-1-990.pdf |
| ATIS | ATIS.3GPP.36.523-1V990-2014 | 9.9.0 | Approved | May 14 | https://www.atis.org/docstore/default.aspx |
| CCSA | CCSA-TSD-DS-36.523-1 | 9.7.0 | Published | Jun 12 | http://www.ccsa.org.cn/english/tc/files.php?docpath=/ITU-R/M.1457/M.1457-12/DS |
| ETSI | ETSI TS 136 523-1 | 9.9.0 | Published | Jul 12 | http://www.etsi.org/deliver/etsi_ts/136500_136599/13652301/09.09.00_60/ |
| TTA | TTAT.3G-36.523-1(R9-9.0.0) | 9.0.0 | Approved | Jul 10 | http://www.tta.or.kr/data/ttasDown.jsp?where=14688&pk_num=TTAT.3G-36.523-1(R9-9.0.0) |
| Release 10 | | | | | |
| ATIS | ATIS.3GPP.36.523-1V1031-2013 | 10.3.1 | Approved | Jun 13 | https://www.atis.org/docstore/default.aspx |
| CCSA | CCSA-TSD-DS-36.523-1 | 10.0.0 | Published | Jun 12 | http://www.ccsa.org.cn/english/tc/files.php?docpath=/ITU-R/M.1457/M.1457-12/DS |
| ETSI | ETSI TS 136 523-1 | 10.3.1 | Published | Feb 13 | http://www.etsi.org/deliver/etsi_ts/136500_136599/13652301/10.03.01_60/ |
| TTA | TTAT.3G-36.523-1(R10-10.0.0) | 10.0.0 | Approved | Aug 12 | http://www.tta.or.kr/data/ttasDown.jsp?where=14688&pk_num=TTAT.3G-36.523-1(R10-10.0.0) |
| Release 11 | | | | | |
| ATIS | ATIS.3GPP.36.523-1V1120-2013 | 11.2.0 | Approved | Jun 13 | https://www.atis.org/docstore/default.aspx |
| CCSA | CCSA-TSD-DS-36.523-1 | 11.6.0 | Published | Jun 14 | http://www.ccsa.org.cn/english/tc/files.php?docpath=/ITU-R/M.1457/M.1457-12/DS |
| ETSI | ETSI TS 136 523-1 | 11.2.0 | Published | May 13 | http://www.etsi.org/deliver/etsi_ts/136500_136599/13652301/11.02.00_60/ |
| ETSI | ETSI TS 136 523-1 | 11.2.0 | Published | May 13 | http://www.etsi.org/deliver/etsi_ts/136500_136599/13652301/11.02.00_60/ |
| ETSI | ETSI TS 136 523-1 | 11.2.0 | Published | May 13 | http://www.etsi.org/deliver/etsi_ts/136500_136599/13652301/11.02.00_60/ |
| ETSI | ETSI TS 136 523-1 | 11.2.0 | Published | May 13 | http://www.etsi.org/deliver/etsi_ts/136500_136599/13652301/11.02.00_60/ |
| TTA | TTAT.3G-36.523-1(R11-11.2.0) | 11.2.0 | published | Aug 13 | http://www.tta.or.kr/data/ttasDown.jsp?where=14688&pk_num=TTAT.3G-36.523-1(R11-11.2.0) |

5.1.2.10.7 TS 36.523-2

Evolved Universal Terrestrial Radio Access (E-UTRA) and Evolved Packet Core (EPC); User Equipment (UE) conformance specification; Part 2: Implementation Conformance Statement (ICS) proforma specification

This document provides the Implementation Conformance Statement (ICS) proforma for 3rd Generation User Equipment (UE), in compliance with the relevant EPS (E-UTRA/EPC) requirements, and in accordance with the relevant guidance given in ISO/IEC 9646-1 and ISO/IEC 9646-7.

| SDO (2) | Document No. | Version | Status | Issued date | Location (1) |
|-------------------|------------------------------|---------|-----------|-------------|---|
| TTA | TTAT.3G-36.523-2(R10-10.3.0) | 10.3.0 | published | Aug 13 | http://www.tta.or.kr/data/ttasDown.jsp?where=14688&pk_num=TTAT.3G-36.523-2(R10-10.3.0) |
| Release 8 | | | | | |
| ARIB | ARIB STD-T63-36.523-2 | 8.6.0 | Approved | Jul 13 | http://www.arib.or.jp/english/html/overview/doc/STD-T63v10_00/2_T63/ARIB-STD-T63/Rel8/36/A36523-2-860.pdf |
| ATIS | ATIS.3GPP.36.523-2V860-2012 | 8.6.0 | Approved | Jul 12 | https://www.atis.org/docstore/default.aspx |
| CCSA | CCSA-TSD-DS-36.523-2 | 8.6.0 | Published | Jun 12 | http://www.ccsa.org.cn/english/tc/files.php?docpath=/ITU-R/M.1457/M.1457-12/DS |
| ETSI | ETSI TS 136 523-2 | 8.6.0 | Published | Jun 10 | http://www.etsi.org/deliver/etsi_ts/136500_136599/13652302/08.06.00_60/ |
| TTA | TTAT.3G-36.523-2(R8-8.1.0) | 8.1.0 | Approved | Jul 09 | http://www.tta.or.kr/data/ttasDown.jsp?where=14688&pk_num=TTAT.3G-36.523-2(R8-8.1.0) |
| Release 9 | | | | | |
| ARIB | ARIB STD-T63-36.523-2 | 9.10.0 | Approved | Jul 13 | http://www.arib.or.jp/english/html/overview/doc/STD-T63v10_00/2_T63/ARIB-STD-T63/Rel9/36/A36523-2-9a0.pdf |
| ATIS | ATIS.3GPP.36.523-2V9100-2014 | 9.10.0 | Approved | May 14 | https://www.atis.org/docstore/default.aspx |
| CCSA | CCSA-TSD-DS-36.523-2 | 9.7.0 | Published | Jun 12 | http://www.ccsa.org.cn/english/tc/files.php?docpath=/ITU-R/M.1457/M.1457-12/DS |
| ETSI | ETSI TS 136 523-2 | 9.10.0 | Published | Nov 12 | http://www.etsi.org/deliver/etsi_ts/136500_136599/13652302/09.10.00_60/ |
| TTA | TTAT.3G-36.523-2(R9-9.0.0) | 9.0.0 | Approved | Jul 10 | http://www.tta.or.kr/data/ttasDown.jsp?where=14688&pk_num=TTAT.3G-36.523-2(R9-9.0.0) |
| Release 10 | | | | | |
| ATIS | ATIS.3GPP.36.523-2V1030-2013 | 10.3.0 | Approved | Jun 13 | https://www.atis.org/docstore/default.aspx |
| CCSA | CCSA-TSD-DS-36.523-2 | 10.0.0 | Published | Jun 12 | http://www.ccsa.org.cn/english/tc/files.php?docpath=/ITU-R/M.1457/M.1457-12/DS |
| ETSI | ETSI TS 136 523-2 | 10.3.0 | Published | Jan 13 | http://www.etsi.org/deliver/etsi_ts/136500_136599/13652302/10.03.00_60/ |
| TTA | TTAT.3G-36.523-2(R10-10.0.0) | 10.0.0 | Approved | Aug 12 | http://www.tta.or.kr/data/ttasDown.jsp?where=14688&pk_num=TTAT.3G-36.523-2(R10-10.0.0) |
| Release 11 | | | | | |
| ATIS | ATIS.3GPP.36.523-2V1122-2013 | 11.2.2 | Approved | Jun 13 | https://www.atis.org/docstore/default.aspx |
| CCSA | CCSA-TSD-DS-36.523-2 | 11.6.0 | Published | Jun 14 | http://www.ccsa.org.cn/english/tc/files.php?docpath=/ITU-R/M.1457/M.1457-12/DS |
| ETSI | ETSI TS 136 523-2 | 11.2.2 | Published | Apr 13 | http://www.etsi.org/deliver/etsi_ts/136500_136599/13652302/11.02.02_60/ |
| TTA | TTAT.3G-36.523-2(R11-11.2.2) | 11.2.2 | published | Aug 13 | http://www.tta.or.kr/data/ttasDown.jsp?where=14688&pk_num=TTAT.3G-36.523-2(R11-11.2.2) |

5.1.2.10.8 TS 36.523-3

Evolved Universal Terrestrial Radio Access (E-UTRA) and Evolved Packet Core (EPC); User Equipment (UE) conformance specification; Part 3: Test suites

This document specifies the protocol and signalling conformance testing in TTCN-3 for the 3GPP UE at the UE_E-UTRAN radio interface. The following TTCN test specification and design considerations can be found in this document:

- the test system architecture;
- the overall test suite structure;
- the test models and ASP definitions;

- the test methods and usage of communication ports definitions;
- the test configurations;
- the design principles and assumptions;
- TTCN styles and conventions;
- the partial PIXIT proforma;
- the test suites.

The Abstract Test Suites designed in the document are based on the test cases specified in prose (3GPP TS 36.523_1). The applicability of the individual test cases is specified in the test ICS proforma specification (3GPP TS 36.523_2). This document is valid for UE implemented according to 3GPP Rel-9 upwards.

| SDO (2) | Document No. | Version | Status | Issued date | Location (1) |
|-------------------|------------------------------|---------|-----------|-------------|---|
| Release 8 | | | | | |
| ARIB | ARIB STD-T63-36.523-3 | 8.7.0 | Approved | Jul 13 | http://www.arib.or.jp/english/html/overview/doc/STD-T63v10_00/2_T63/ARIB-STD-T63/Rel8/36/A36523-3-870.pdf |
| ETSI | ETSI TS 136 523-3 | 8.7.0 | Published | Jul 11 | http://www.etsi.org/deliver/etsi_ts/136500_136599/13652303/08.07.00_60/ |
| Release 9 | | | | | |
| ARIB | ARIB STD-T63-36.523-3 | 9.4.0 | Approved | Jul 13 | http://www.arib.or.jp/english/html/overview/doc/STD-T63v10_00/2_T63/ARIB-STD-T63/Rel9/36/A36523-3-940.pdf |
| ETSI | ETSI TS 136 523-3 | 9.4.0 | Published | Aug 12 | http://www.etsi.org/deliver/etsi_ts/136500_136599/13652303/09.04.00_60/ |
| Release 10 | | | | | |
| ATIS | ATIS.3GPP.36.523-3V1030-2013 | 10.3.0 | Approved | Jun 13 | https://www.atis.org/docstore/default.aspx |
| ETSI | ETSI TS 136 523-3 | 10.3.0 | Published | May 13 | http://www.etsi.org/deliver/etsi_ts/136500_136599/13652303/10.03.00_60/ |
| ETSI | ETSI TS 136 523-3 | 10.3.0 | Published | May 13 | http://www.etsi.org/deliver/etsi_ts/136500_136599/13652303/10.03.00_60/ |
| ETSI | ETSI TS 136 523-3 | 10.3.0 | Published | May 13 | http://www.etsi.org/deliver/etsi_ts/136500_136599/13652303/10.03.00_60/ |
| ETSI | ETSI TS 136 523-3 | 10.3.0 | Published | May 13 | http://www.etsi.org/deliver/etsi_ts/136500_136599/13652303/10.03.00_60/ |
| Release 11 | | | | | |
| CCSA | CCSA-TSD-DS-36.523-3 | 11.4.0 | Published | Jun 14 | http://www.ccsa.org.cn/english/tc/files.php?docpath=/ITU-R/M.1457/M.1457-12/DS |

5.1.2.11 Multiple radio access technology aspects specifications

5.1.2.11.1 TS 37.104

E-UTRA, UTRA and GSM/EDGE; Multi-Standard Radio (MSR) Base Station (BS) radio transmission and reception

This specification establishes the minimum RF characteristics of E-UTRA, UTRA and GSM/EDGE Multi-Standard Radio (MSR) Base Station (BS). Requirements for multi-RAT and single-RAT operation of MSR BS are covered in this document. The requirements in this document for E-UTRA and UTRA single-RAT operation of MSR BS are also applicable to E-UTRA and UTRA multi-carrier capable single-RAT BS. Requirements for GSM BS that are only single-RAT capable are not covered.

| SDO (2) | Document No. | Version | Status | Issued date | Location (1) |
|-------------------|----------------------------|---------|-----------|-------------|---|
| Release 9 | | | | | |
| ATIS | ATIS.3GPP.37.104V981-2014 | 9.8.1 | Approved | May 14 | https://www.atis.org/docstore/default.aspx |
| CCSA | CCSA-TSD-DS-37.104 | 9.6.0 | Published | Jun 12 | http://www.ccsa.org.cn/english/tc/files.php?docpath=/ITU-R/M.1457/M.1457-12/DS |
| ETSI | ETSI TS 137 104 | 9.8.1 | Published | Feb 13 | http://www.etsi.org/deliver/etsi_ts/137100_137199/137104/09.08.01_60/ |
| TTA | TTAT.3G-37.104(R9-9.1.0) | 9.1.0 | Approved | Jul 10 | http://www.tta.or.kr/data/ttasDown.jsp?where=14688&pk_num=TTAT.3G-37.104(R9-9.1.0) |
| Release 10 | | | | | |
| ATIS | ATIS.3GPP.37.104V10100- | 10.10.0 | Approved | Jun 13 | https://www.atis.org/docstore/default.aspx |
| CCSA | CCSA-TSD-DS-37.104 | 10.5.0 | Published | Jun 12 | http://www.ccsa.org.cn/english/tc/files.php?docpath=/ITU-R/M.1457/M.1457-12/DS |
| ETSI | ETSI TS 137 104 | 10.10.0 | Published | Apr 13 | http://www.etsi.org/deliver/etsi_ts/137100_137199/137104/10.10.00_60/ |
| TTA | TTAT.3G-37.104(R10-10.6.0) | 10.6.0 | Approved | Aug 12 | http://www.tta.or.kr/data/ttasDown.jsp?where=14688&pk_num=TTAT.3G-37.104(R10-10.6.0) |
| Release 11 | | | | | |
| ATIS | ATIS.3GPP.37.104V1140-2013 | 11.4.0 | Approved | Jun 13 | https://www.atis.org/docstore/default.aspx |
| CCSA | CCSA-TSD-DS-37.104 | 11.8.0 | Published | Jun 14 | http://www.ccsa.org.cn/english/tc/files.php?docpath=/ITU-R/M.1457/M.1457-12/DS |
| ETSI | ETSI TS 137 104 | 11.4.0 | Published | Apr 13 | http://www.etsi.org/deliver/etsi_ts/137100_137199/137104/11.04.00_60/ |
| TTA | TTAT.3G-37.104(R11-11.4.0) | 11.4.0 | published | Aug 13 | http://www.tta.or.kr/data/ttasDown.jsp?where=14688&pk_num=TTAT.3G-37.104(R11-11.4.0) |

5.1.2.11.2 TS 37.113

E-UTRA, UTRA and GSM/EDGE; Multi-Standard Radio (MSR) Base Station (BS) Electromagnetic Compatibility (EMC)

This document covers the assessment of E-UTRA, UTRA and GSM/EDGE Multi-Standard Radio (MSR) Base Stations and associated ancillary equipment in respect of Electromagnetic Compatibility (EMC). This document specifies the applicable test conditions, performance assessment and performance criteria for E-UTRA, UTRA and GSM/EDGE Base Stations and associated ancillary equipment in one of the following categories:

- (i) Multi-Standard Radio (MSR) Base Stations for E-UTRA, UTRA and GSM/EDGE meeting the requirements of TS 37.104, with conformance demonstrated by compliance to TS 37.141;
- (ii) Base Stations for E-UTRA meeting the requirements of TS 36.104, with conformance demonstrated by compliance to TS 36.141;
- (iii) Base Stations for UTRA FDD meeting the requirements of TS 25.104, with conformance demonstrated by compliance to TS 25.141;
- (iv) Base Stations for UTRA TDD meeting the requirements of TS 25.105, with conformance demonstrated by compliance to TS 25.142;
- (v) Base Stations for GSM/EDGE meeting the requirements of TS 45.005, with conformance demonstrated by compliance to TS 51.021.

The environment classification used in this document refers to the environment classification used in IEC 61000-6-1 and IEC 61000-6-3. The EMC requirements have been selected to ensure an adequate level of compatibility for apparatus at residential, commercial and light industrial environments. The levels, however, do not cover extreme cases which may occur in any location but with low probability of occurrence.

| SDO (2) | Document No. | Version | Status | Issued date | Location (1) |
|-------------------|----------------------------|---------|-----------|-------------|---|
| Release 9 | | | | | |
| CCSA | CCSA-TSD-DS-37.113 | 9.2.0 | Published | Jun 12 | http://www.ccsa.org.cn/english/tc/files.php?docpath=/ITU-R/M.1457/M.1457-12/DS |
| ETSI | ETSI TS 137 113 | 9.2.0 | Published | Jan 11 | http://www.etsi.org/deliver/etsi_ts/137100_137199/137113/09.02.00_60/ |
| Release 10 | | | | | |
| ATIS | ATIS.3GPP.37.113V1040-2013 | 10.4.0 | Approved | Jun 13 | https://www.atis.org/docstore/default.aspx |

| | | | | | |
|-------------------|----------------------------|--------|-----------|--------|---|
| CCSA | CCSA-TSD-DS-37.113 | 10.4.0 | Published | Jun 12 | http://www.ccsa.org.cn/english/tc/files.php?docpath=/ITU-R/M.1457/M.1457-12/DS |
| ETSI | ETSI TS 137 113 | 10.4.0 | Published | Jan 12 | http://www.etsi.org/deliver/etsi_ts/137100_137199/137113/10.04.00_60/ |
| TTA | TTAT.3G-37.113(R10-10.4.0) | 10.4.0 | Approved | Aug 12 | http://www.tta.or.kr/data/ttasDown.jsp?where=14688&pk_num=TTAT.3G-37.113(R10-10.4.0) |
| Release 11 | | | | | |
| ATIS | ATIS.3GPP.37.113V1110-2013 | 11.1.0 | Approved | Jun 13 | https://www.atis.org/docstore/default.aspx |
| CCSA | CCSA-TSD-DS-37.113 | 11.1.0 | Published | Jun 14 | http://www.ccsa.org.cn/english/tc/files.php?docpath=/ITU-R/M.1457/M.1457-12/DS |
| ETSI | ETSI TS 137 113 | 11.1.0 | Published | Nov 12 | http://www.etsi.org/deliver/etsi_ts/137100_137199/137113/11.01.00_60/ |
| TTA | TTAT.3G-37.113(R11-11.1.0) | 11.1.0 | published | Aug 13 | http://www.tta.or.kr/data/ttasDown.jsp?where=14688&pk_num=TTAT.3G-37.113(R11-11.1.0) |

5.1.2.11.3 TS 37.141

E-UTRA, UTRA and GSM/EDGE; Multi-Standard Radio (MSR) Base Station (BS) conformance testing

This document specifies the Radio Frequency (RF) test methods and conformance requirements for E-UTRA, UTRA and GSM/EDGE Multi-Standard Radio (MSR) Base Station (BS).

| SDO (2) | Document No. | Version | Status | Issued date | Location (1) |
|-------------------|----------------------------|---------|-----------|-------------|---|
| Release 9 | | | | | |
| CCSA | CCSA-TSD-DS-37.141 | 9.6.0 | Published | Jun 12 | http://www.ccsa.org.cn/english/tc/files.php?docpath=/ITU-R/M.1457/M.1457-12/DS |
| ETSI | ETSI TS 137 141 | 9.9.1 | Published | Feb 13 | http://www.etsi.org/deliver/etsi_ts/137100_137199/137141/09.09.01_60/ |
| Release 10 | | | | | |
| ATIS | ATIS.3GPP.37.141V1091-2013 | 10.9.1 | Approved | Jun 13 | https://www.atis.org/docstore/default.aspx |
| CCSA | CCSA-TSD-DS-37.141 | 10.5.0 | Published | Jun 12 | http://www.ccsa.org.cn/english/tc/files.php?docpath=/ITU-R/M.1457/M.1457-12/DS |
| ETSI | ETSI TS 137 141 | 10.9.1 | Published | Feb 13 | http://www.etsi.org/deliver/etsi_ts/137100_137199/137141/10.09.01_60/ |
| TTA | TTAT.3G-37.141(R10-10.6.0) | 10.6.0 | Approved | Aug 12 | http://www.tta.or.kr/data/ttasDown.jsp?where=14688&pk_num=TTAT.3G-37.141(R10-10.6.0) |
| Release 11 | | | | | |
| ATIS | ATIS.3GPP.37.141V1140-2013 | 11.4.0 | Approved | Jun 13 | https://www.atis.org/docstore/default.aspx |
| CCSA | CCSA-TSD-DS-37.141 | 11.8.0 | Published | Jun 14 | http://www.ccsa.org.cn/english/tc/files.php?docpath=/ITU-R/M.1457/M.1457-12/DS |
| ETSI | ETSI TS 137 141 | 11.4.0 | Published | Apr 13 | http://www.etsi.org/deliver/etsi_ts/137100_137199/137141/11.04.00_60/ |
| TTA | TTAT.3G-37.141(R11-11.4.0) | 11.4.0 | published | Aug 13 | http://www.tta.or.kr/data/ttasDown.jsp?where=14688&pk_num=TTAT.3G-37.141(R11-11.4.0) |

5.1.2.11.4 TS 37.320

Universal Terrestrial Radio Access (UTRA) and Evolved Universal Terrestrial Radio Access (E-UTRA); Radio measurement collection for Minimization of Drive Tests (MDT); Overall description; Stage 2

This document provides an overview and overall description of the minimization of drive tests functionality. The document describes functions and procedures to support collection of UE-specific measurements for MDT using Control Plane architecture, for both UTRAN and E-

| SDO (2) | Document No. | Version | Status | Issued date | Location (1) |
|---------|----------------------------|---------|-----------|-------------|---|
| TTA | TTAT.3G-37.320(R10-10.4.0) | 10.4.0 | published | Aug 13 | http://www.tta.or.kr/data/ttasDown.jsp?where=14688&pk_num=TTAT.3G-37.320(R10-10.4.0) |

Release 10

| | | | | | |
|------|----------------------------|--------|-----------|--------|---|
| ARIB | ARIB STD-T63-37.320 | 10.4.0 | Approved | Jul 13 | http://www.arib.or.jp/english/html/overview/doc/STD-T63v10_00/2_T63/ARIB-STD-T63/Rel10/37/A37320-a40.pdf |
| ATIS | ATIS.3GPP.37.320V1040-2013 | 10.4.0 | Approved | Jun 13 | https://www.atis.org/docstore/default.aspx |
| CCSA | CCSA-TSD-DS-37.320 | 10.4.0 | Published | Jun 12 | http://www.ccsa.org.cn/english/tc/files.php?docpath=/ITU-R/M.1457/M.1457-12/DS |
| ETSI | ETSI TS 137 320 | 10.4.0 | Published | Jan 12 | http://www.etsi.org/deliver/etsi_ts/137300_137399/137320/10.04.00_60/ |
| TTA | TTAT.3G-37.320(R10-10.4.0) | 10.4.0 | Approved | Aug 12 | http://www.tta.or.kr/data/ttasDown.jsp?where=14688&pk_num=TTAT.3G-37.320(R10-10.4.0) |

Release 11

| | | | | | |
|------|----------------------------|--------|-----------|--------|---|
| ATIS | ATIS.3GPP.37.320V1130-2013 | 11.3.0 | Approved | Jun 13 | https://www.atis.org/docstore/default.aspx |
| CCSA | CCSA-TSD-DS-37.320 | 11.3.0 | Published | Jun 14 | http://www.ccsa.org.cn/english/tc/files.php?docpath=/ITU-R/M.1457/M.1457-12/DS |
| ETSI | ETSI TS 137 320 | 11.3.0 | Published | Apr 13 | http://www.etsi.org/deliver/etsi_ts/137300_137399/137320/11.03.00_60/ |
| TTA | TTAT.3G-37.320(R11-11.3.0) | 11.3.0 | published | Aug 13 | http://www.tta.or.kr/data/ttasDown.jsp?where=14688&pk_num=TTAT.3G-37.320(R11-11.3.0) |

5.1.2.11.5 TS 37.571-1**Universal Terrestrial Radio Access (UTRA) and Evolved UTRA (E-UTRA) and Evolved Packet Core (EPC); User Equipment (UE) conformance specification for UE positioning; Part 1: Conformance test specification**

This document specifies the procedures for the conformance test of the measurement requirements for FDD mode of UTRA and FDD or TDD mode of E-UTRA for the User Equipment (UE) that supports one or more of the defined positioning methods. These positioning methods are for UTRA: Assisted Global Positioning System (A-GPS), Assisted Global Navigation Satellite Systems (A-GNSS) and for E-UTRA: Assisted Global Navigation Satellite System (A-GNSS), Observed Time Difference of Arrival (OTDOA), Enhanced Cell ID (ECID).

Tests are only applicable to those mobiles that are intended to support the appropriate functionality. To indicate the circumstances in which tests apply, this is noted in the "Test applicability" part of the test.

The Implementation Conformance Statement (ICS) pro-forma could be found in the 3rd part of this document.

| SDO (2) | Document No. | Version | Status | Issued date | Location (1) |
|-------------------|------------------------------|---------|-----------|-------------|---|
| TTA | TTAT.3G-37.571-1(R10-10.3.0) | 10.3.0 | published | Aug 13 | http://www.tta.or.kr/data/ttasDown.jsp?where=14688&pk_num=TTAT.3G-37.571-1(R10-10.3.0) |
| Release 9 | | | | | |
| ARIB | ARIB STD-T63-37.571-1 | 9.3.0 | Approved | Jul 13 | http://www.arib.or.jp/english/html/overview/doc/STD-T63v10_00/2_T63/ARIB-STD-T63/Rel9/37/A37571-1-930.pdf |
| ETSI | ETSI TS 137 571-1 | 9.3.0 | Published | Jan 13 | http://www.etsi.org/deliver/etsi_ts/137500_137599/13757101/09.03.00_60/ |
| Release 10 | | | | | |
| ARIB | ARIB STD-T63-37.571-1 | 10.3.0 | Approved | Jul 13 | http://www.arib.or.jp/english/html/overview/doc/STD-T63v10_00/2_T63/ARIB-STD-T63/Rel10/37/A37571-1- |
| ATIS | ATIS.3GPP.37.571-1V1030-2013 | 10.3.0 | Approved | Jun 13 | https://www.atis.org/docstore/default.aspx |
| ETSI | ETSI TS 137 571-1 | 10.3.0 | Published | Apr 13 | http://www.etsi.org/deliver/etsi_ts/137500_137599/13757101/10.03.00_60/ |
| Release 11 | | | | | |
| CCSA | CCSA-TSD-DS-37.571-1 | 11.1.0 | Published | Jun 14 | http://www.ccsa.org.cn/english/tc/files.php?docpath=/ITU-R/M.1457/M.1457-12/DS |

5.1.2.11.6 TS 37.571-2**Universal Terrestrial Radio Access (UTRA) and Evolved UTRA (E-UTRA) and Evolved Packet Core (EPC); User Equipment (UE) conformance specification for UE positioning; Part 2: Protocol conformance**

This document specifies the protocol conformance testing for the 3rd Generation UTRAN and E-UTRAN User Equipment (UE) supporting UE positioning. This is the second part of a multi-part test specification. The following information can be found in this part:

- the overall protocol conformance test structure;
- the protocol conformance test configurations;
- the conformance requirement and reference to the core specifications;
- the test purposes; and
- a brief description of the test procedure, the specific test requirements and short message exchange table. The Implementation Conformance Statement (ICS) pro-forma could be found in the 3rd part of this document.

This document is valid for UE supporting UE positioning implemented according to 3GPP releases starting from Release 99 up to the Release indicated on the cover page of this document.

| SDO (2) | Document No. | Version | Status | Issued date | Location (1) |
|-------------------|------------------------------|---------|-----------|-------------|---|
| TTA | TTAT.3G-37.571-2(R10-10.2.0) | 10.2.0 | published | Aug 13 | http://www.tta.or.kr/data/ttasDown.jsp?where=14688&pk_num=TTAT.3G-37.571-2(R10-10.2.0) |
| Release 9 | | | | | |
| ARIB | ARIB STD-T63-37.571-2 | 9.3.0 | Approved | Jul 13 | http://www.arib.or.jp/english/html/overview/doc/STD-T63v10_00/2_T63/ARIB-STD-T63/Rel9/37/A37571-2-930.pdf |
| ETSI | ETSI TS 137 571-2 | 9.3.0 | Published | Jan 13 | http://www.etsi.org/deliver/etsi_ts/137500_137599/13757102/09.03.00_60/ |
| Release 10 | | | | | |
| ARIB | ARIB STD-T63-37.571-2 | 10.2.0 | Approved | Jul 13 | http://www.arib.or.jp/english/html/overview/doc/STD-T63v10_00/2_T63/ARIB-STD-T63/Rel10/37/A37571-2- |
| ATIS | ATIS.3GPP.37.571-2V1020-2013 | 10.2.0 | Approved | Jun 13 | https://www.atis.org/docstore/default.aspx |
| ETSI | ETSI TS 137 571-2 | 10.2.0 | Published | Apr 13 | http://www.etsi.org/deliver/etsi_ts/137500_137599/13757102/10.02.00_60/ |

5.1.2.11.7 TS 37.571-3

Universal Terrestrial Radio Access (UTRA) and Evolved UTRA (E-UTRA) and Evolved Packet Core (EPC); User Equipment (UE) conformance specification for UE positioning; Part 3: Implementation Conformance Statement (ICS)

This document provides the Implementation Conformance Statement (ICS) proforma for 3rd Generation UTRAN and E-UTRAN User Equipment (UE) supporting UE positioning, in compliance with the relevant requirements, and in accordance with the relevant guidance given in ISO/IEC 9646-1 and ISO/IEC 9646-7.

This document also specifies a recommended applicability statement for the test cases included in 3GPP TS 37.571-1 and 3GPP TS 37.571-2. These applicability statements are based on the features implemented in the UE. Special conformance testing functions can be found in 3GPP TS 34.109 for UTRA and 3GPP TS 36.509 for E-UTRA.

The common test environments are included in 3GPP TS 34.108 for UTRA and in 3GPP TS 36.508 for E-UTRA.

This document is valid for UE supporting UE positioning implemented according to 3GPP releases starting from Release 99 up to the Release indicated on the cover page of this document.

| SDO (2) | Document No. | Version | Status | Issued date | Location (1) |
|-------------------|------------------------------|---------|-----------|-------------|---|
| Release 9 | | | | | |
| ARIB | ARIB STD-T63-37.571-3 | 9.2.0 | Approved | Jul 13 | http://www.arib.or.jp/english/html/overview/doc/STD-T63v10_00/2_T63/ARIB-STD-T63/Rel9/37/A37571-3-920.pdf |
| ETSI | ETSI TS 137 571-3 | 9.2.0 | Published | Jan 13 | http://www.etsi.org/deliver/etsi_ts/137500_137599/13757103/09.02.00_60/ |
| Release 10 | | | | | |
| ARIB | ARIB STD-T63-37.571-3 | 10.3.0 | Approved | Jul 13 | http://www.arib.or.jp/english/html/overview/doc/STD-T63v10_00/2_T63/ARIB-STD-T63/Rel10/37/A37571-3- |
| ATIS | ATIS.3GPP.37.571-3V1031-2013 | 10.3.1 | Approved | Jun 13 | https://www.atis.org/docstore/default.aspx |
| ETSI | ETSI TS 137 571-3 | 10.3.1 | Published | Apr 13 | http://www.etsi.org/deliver/etsi_ts/137500_137599/13757103/10.03.01_60/ |
| TTA | TTAT.3G-37.571-3(R10-10.3.1) | 10.3.1 | published | Aug 13 | http://www.tta.or.kr/data/ttasDown.jsp?where=14688&pk_num=TTAT.3G-37.571-3(R10-10.3.1) |

5.1.2.11.8 TS 37.571-4

Universal Terrestrial Radio Access (UTRA) and Evolved UTRA (E-UTRA) and Evolved Packet Core (EPC); User Equipment (UE) conformance specification for UE positioning; Part 4: Test suites

This document specifies the protocol and signalling conformance testing in TTCN for the UE:

- A-GPS at the UTRA Uu interface;
- LTE positioning at the LTE-Uu interface;
- A-GNSS at the UTRA Uu interface.

The following TTCN test specification and design considerations can be found in this document:

- Test system architecture;
- Test models and ASP definitions;
- Test methods and usage of communication ports definitions;
- Test configurations;
- Design principles and assumptions;
- TTCN styles and conventions;
- Partial PIXIT proforma;

- Test suites in TTCN-2 and TTCN-3;
- The Test Suites designed and implemented in this document are based on the test specifications in prose in 3GPP TS 37.571_2;
- The applicability of the individual test cases is specified in the test ICS proforma specification in 3GPP TS 37.571_3.

| SDO (2) | Document No. | Version | Status | Issued date | Location (1) |
|-------------------|------------------------------|---------|-----------|-------------|---|
| TTA | TTAT.3G-37.571-4(R10-10.1.0) | 10.1.0 | published | Aug 13 | http://www.tta.or.kr/data/ttasDown.jsp?where=14688&pk_num=TTAT.3G-37.571-4(R10-10.1.0) |
| Release 9 | | | | | |
| ARIB | ARIB STD-T63-37.571-4 | 9.1.0 | Approved | Jul 13 | http://www.arib.or.jp/english/html/overview/doc/STD-T63v10_00/2_T63/ARIB-STD-T63/Rel9/37/A37571-4-910.pdf |
| ETSI | ETSI TS 137 571-4 | 9.1.0 | Published | Jan 13 | http://www.etsi.org/deliver/etsi_ts/137500_137599/13757104/09.01.00_60/ |
| Release 10 | | | | | |
| ARIB | ARIB STD-T63-37.571-4 | 10.1.0 | Approved | Jul 13 | http://www.arib.or.jp/english/html/overview/doc/STD-T63v10_00/2_T63/ARIB-STD-T63/Rel10/37/A37571-4- |
| ATIS | ATIS.3GPP.37.571-4V1010-2013 | 10.1.0 | Approved | Jun 13 | https://www.atis.org/docstore/default.aspx |
| ETSI | ETSI TS 137 571-4 | 10.1.0 | Published | Oct 12 | http://www.etsi.org/deliver/etsi_ts/137500_137599/13757104/10.01.00_60/ |

5.1.2.11.9 TS 37.571-5

Universal Terrestrial Radio Access (UTRA) and Evolved UTRA (E-UTRA) and Evolved Packet Core (EPC); User Equipment (UE) conformance specification for UE positioning; Part 5: Test scenarios and assistance data

This document specifies the test scenarios and assistance data required for the conformance test for FDD or TDD mode of UTRA and E-UTRA for the User Equipment (UE) that supports one or more of the defined positioning methods. For UTRA these are Assisted Global Positioning System (A-GPS) and Assisted Global Navigation Satellite System (A-GNSS). For E-UTRA these are A-GNSS, Observed Time Difference of Arrival (OTDOA) and Enhanced Cell ID (ECID).

| SDO (2) | Document No. | Version | Status | Issued date | Location (1) |
|-------------------|------------------------------|---------|-----------|-------------|---|
| TTA | TTAT.3G-37.571-5(R10-10.3.0) | 10.3.0 | published | Aug 13 | http://www.tta.or.kr/data/ttasDown.jsp?where=14688&pk_num=TTAT.3G-37.571-5(R10-10.3.0) |
| Release 9 | | | | | |
| ARIB | ARIB STD-T63-37.571-5 | 9.4.0 | Approved | Jul 13 | http://www.arib.or.jp/english/html/overview/doc/STD-T63v10_00/2_T63/ARIB-STD-T63/Rel9/37/A37571-5-940.pdf |
| ETSI | ETSI TS 137 571-5 | 9.4.0 | Published | Jan 13 | http://www.etsi.org/deliver/etsi_ts/137500_137599/13757105/09.04.00_60/ |
| Release 10 | | | | | |
| ATIS | ATIS.3GPP.37.571-5V1030-2013 | 10.3.0 | Approved | Jun 13 | https://www.atis.org/docstore/default.aspx |
| ETSI | ETSI TS 137 571-5 | 10.3.0 | Published | Apr 13 | http://www.etsi.org/deliver/etsi_ts/137500_137599/13757105/10.03.00_60/ |

5.1.2.12 Core network and Terminal aspects

5.1.2.12.1 TS 21.111

USIM and IC card requirements

This document defines the requirements of the USIM (Universal Subscriber Identity Module) and the IC card for 3G (UICC). These are derived from the service and security requirements defined in TS 22.100 and TS 22.101. The USIM is a 3G application on an IC card. It inter-operates with a 3G terminal and provides access to 3G services. This document is intended to serve as a basis for the detailed specification of the USIM and the UICC, and the interface to the 3G terminal.

| SDO (2) | Document No. | Version | Status | Issued date | Location (1) |
|-------------------|---------------------------|---------|-----------|-------------|---|
| Release 99 | | | | | |
| ARIB | ARIB STD-T63-21.111 | 3.5.0 | Approved | Jul 13 | http://www.arib.or.jp/english/html/overview/doc/STD-T63v10_00/2_T63/ARIB-STD-T63/R99/21/A21111-350.pdf |
| ATIS | ATIS.3GPP.21.111V350-2006 | 3.5.0 | Approved | Apr 06 | https://www.atis.org/docstore/default.aspx |
| CCSA | CCSA-TSD-DS-21.111 | 3.5.0 | Published | Jun 05 | http://www.ccsa.org.cn/english/tc/files.php?docpath=/ITU-R/M.1457/M.1457-12/DS |
| ETSI | ETSI TS 121 111 | 3.5.0 | Published | Jun 05 | http://www.etsi.org/deliver/etsi_ts/121100_121199/121111/03.05.00_60/ |
| TTA | TTAT.3G-21.111(R99-3.5.0) | 3.5.0 | Approved | Apr 06 | http://www.tta.or.kr/data/ttasDown.jsp?where=14688&pk_num=TTAT.3G-21.111(R99-3.5.0) |
| Release 4 | | | | | |
| ARIB | ARIB STD-T63-21.111 | 4.2.0 | Approved | Jul 13 | http://www.arib.or.jp/english/html/overview/doc/STD-T63v10_00/2_T63/ARIB-STD-T63/Rel4/21/A21111-420.pdf |
| ATIS | ATIS.3GPP.21.111V420-2006 | 4.2.0 | Approved | Apr 06 | https://www.atis.org/docstore/default.aspx |
| CCSA | CCSA-TSD-DS-21.111 | 4.2.0 | Published | Jun 05 | http://www.ccsa.org.cn/english/tc/files.php?docpath=/ITU-R/M.1457/M.1457-12/DS |
| ETSI | ETSI TS 121 111 | 4.2.0 | Published | Jun 05 | http://www.etsi.org/deliver/etsi_ts/121100_121199/121111/04.02.00_60/ |
| TTA | TTAT.3G-21.111(R4-4.2.0) | 4.2.0 | Approved | Apr 06 | http://www.tta.or.kr/data/ttasDown.jsp?where=14688&pk_num=TTAT.3G-21.111(R4-4.2.0) |
| Release 5 | | | | | |
| ARIB | ARIB STD-T63-21.111 | 5.2.0 | Approved | Jul 13 | http://www.arib.or.jp/english/html/overview/doc/STD-T63v10_00/2_T63/ARIB-STD-T63/Rel5/21/A21111-520.pdf |
| ATIS | ATIS.3GPP.21.111V520-2006 | 5.2.0 | Approved | Apr 06 | https://www.atis.org/docstore/default.aspx |
| CCSA | CCSA-TSD-DS-21.111 | 5.2.0 | Published | Jun 05 | http://www.ccsa.org.cn/english/tc/files.php?docpath=/ITU-R/M.1457/M.1457-12/DS |
| ETSI | ETSI TS 121 111 | 5.2.0 | Published | Jun 05 | http://www.etsi.org/deliver/etsi_ts/121100_121199/121111/05.02.00_60/ |
| TTA | TTAT.3G-21.111(R5-5.2.0) | 5.2.0 | Approved | Apr 06 | http://www.tta.or.kr/data/ttasDown.jsp?where=14688&pk_num=TTAT.3G-21.111(R5-5.2.0) |
| Release 6 | | | | | |
| ARIB | ARIB STD-T63-21.111 | 6.3.0 | Approved | Jul 13 | http://www.arib.or.jp/english/html/overview/doc/STD-T63v10_00/2_T63/ARIB-STD-T63/Rel6/21/A21111-630.pdf |
| ATIS | ATIS.3GPP.21.111V630-2007 | 6.3.0 | Approved | Oct 07 | https://www.atis.org/docstore/default.aspx |
| CCSA | CCSA-TSD-DS-21.111 | 6.3.0 | Published | Jul 06 | http://www.ccsa.org.cn/english/tc/files.php?docpath=/ITU-R/M.1457/M.1457-12/DS |
| ETSI | ETSI TS 121 111 | 6.3.0 | Published | Jul 06 | http://www.etsi.org/deliver/etsi_ts/121100_121199/121111/06.03.00_60/ |
| TTA | TTAT.3G-21.111(R6-6.3.0) | 6.3.0 | Approved | Dec 07 | http://www.tta.or.kr/data/ttasDown.jsp?where=14688&pk_num=TTAT.3G-21.111(R6-6.3.0) |
| Release 7 | | | | | |
| ARIB | ARIB STD-T63-21.111 | 7.2.0 | Approved | Jul 13 | http://www.arib.or.jp/english/html/overview/doc/STD-T63v10_00/2_T63/ARIB-STD-T63/Rel7/21/A21111-720.pdf |
| ATIS | ATIS.3GPP.21.111V720-2010 | 7.2.0 | Approved | Jul 10 | https://www.atis.org/docstore/default.aspx |
| CCSA | CCSA-TSD-DS-21.111 | 7.2.0 | Published | Mar 10 | http://www.ccsa.org.cn/english/tc/files.php?docpath=/ITU-R/M.1457/M.1457-12/DS |
| ETSI | ETSI TS 121 111 | 7.2.0 | Published | Jan 10 | http://www.etsi.org/deliver/etsi_ts/121100_121199/121111/07.02.00_60/ |
| TTA | TTAT.3G-21.111(R7-7.1.0) | 7.1.0 | Approved | Oct 08 | http://www.tta.or.kr/data/ttasDown.jsp?where=14688&pk_num=TTAT.3G-21.111(R7-7.1.0) |
| Release 8 | | | | | |
| ARIB | ARIB STD-T63-21.111 | 8.3.0 | Approved | Jul 13 | http://www.arib.or.jp/english/html/overview/doc/STD-T63v10_00/2_T63/ARIB-STD-T63/Rel8/21/A21111-830.pdf |
| ATIS | ATIS.3GPP.21.111V830-2010 | 8.3.0 | Approved | Jul 10 | https://www.atis.org/docstore/default.aspx |
| CCSA | CCSA-TSD-DS-21.111 | 8.3.0 | Published | Mar 10 | http://www.ccsa.org.cn/english/tc/files.php?docpath=/ITU-R/M.1457/M.1457-12/DS |
| ETSI | ETSI TS 121 111 | 8.3.0 | Published | Jan 10 | http://www.etsi.org/deliver/etsi_ts/121100_121199/121111/08.03.00_60/ |
| TTA | TTAT.3G-21.111(R8-8.2.0) | 8.2.0 | Approved | Oct 08 | http://www.tta.or.kr/data/ttasDown.jsp?where=14688&pk_num=TTAT.3G-21.111(R8-8.2.0) |

Release 9

| | | | | | |
|------|---------------------------|-------|-----------|--------|---|
| ARIB | ARIB STD-T63-21.111 | 9.0.0 | Approved | Jul 13 | http://www.arib.or.jp/english/html/overview/doc/STD-T63v10_00/2_T63/ARIB-STD-T63/Rel9/21/A21111-900.pdf |
| ATIS | ATIS.3GPP.21.111V900-2010 | 9.0.0 | Approved | Jul 10 | https://www.atis.org/docstore/default.aspx |
| CCSA | CCSA-TSD-DS-21.111 | 9.0.0 | Published | Mar 10 | http://www.ccsa.org.cn/english/tc/files.php?docpath=/ITU-R/M.1457/M.1457-12/DS |
| ETSI | ETSI TS 121 111 | 9.0.0 | Published | Jan 10 | http://www.etsi.org/deliver/etsi_ts/121100_121199/121111/09.00.00_60/ |
| TTA | TTAT.3G-21.111(R9-9.0.0) | 9.0.0 | Approved | Jul 10 | http://www.tta.or.kr/data/ttasDown.jsp?where=14688&pk_num=TTAT.3G-21.111(R9-9.0.0) |

Release 10

| | | | | | |
|------|----------------------------|--------|-----------|--------|---|
| ARIB | ARIB STD-T63-21.111 | 10.0.0 | Approved | Jul 13 | http://www.arib.or.jp/english/html/overview/doc/STD-T63v10_00/2_T63/ARIB-STD-T63/Rel10/21/A21111-a00.pdf |
| ATIS | ATIS.3GPP.21.111V1000-2012 | 10.0.0 | Approved | Jul 12 | https://www.atis.org/docstore/default.aspx |
| CCSA | CCSA-TSD-DS-21.111 | 10.0.0 | Published | Jun 12 | http://www.ccsa.org.cn/english/tc/files.php?docpath=/ITU-R/M.1457/M.1457-12/DS |
| ETSI | ETSI TS 121 111 | 10.0.0 | Published | May 11 | http://www.etsi.org/deliver/etsi_ts/121100_121199/121111/10.00.00_60/ |
| TTA | TTAT.3G-21.111(R10-10.0.0) | 10.0.0 | Approved | Apr 12 | http://www.tta.or.kr/data/ttasDown.jsp?where=14688&pk_num=TTAT.3G-21.111(R10-10.0.0) |

Release 11

| | | | | | |
|------|----------------------------|--------|-----------|--------|---|
| ARIB | ARIB STD-T63-21.111 | 11.0.1 | Approved | Jul 13 | http://www.arib.or.jp/english/html/overview/doc/STD-T63v10_00/2_T63/ARIB-STD-T63/Rel11/21/A21111-b01.pdf |
| ATIS | ATIS.3GPP.21.111V1100-2014 | 11.0.0 | Approved | May 14 | https://www.atis.org/docstore/default.aspx |
| CCSA | CCSA-TSD-DS-21.111 | 11.0.1 | Published | Jun 14 | http://www.ccsa.org.cn/english/tc/files.php?docpath=/ITU-R/M.1457/M.1457-12/DS |
| ETSI | ETSI TS 121 111 | 11.0.1 | Published | Jan 13 | http://www.etsi.org/deliver/etsi_ts/121100_121199/121111/11.00.01_60/ |
| TTA | TTAT.3G-21.111(R11-11.0.1) | 11.0.1 | published | Aug 13 | http://www.tta.or.kr/data/ttasDown.jsp?where=14688&pk_num=TTAT.3G-21.111(R11-11.0.1) |

5.1.2.12.2 TS 23.003**Numbering, addressing and identification**

This document defines the principal purpose and use of International Mobile station Equipment Identities (IMEI) within the digital cellular telecommunications system and the 3GPP system.

| SDO (2) | Document No. | Version | Status | Issued date | Location (1) |
|-------------------|----------------------------|---------|-----------|-------------|---|
| Release 99 | | | | | |
| CCSA | CCSA-TSD-DS-23.003 | 3.15.0 | Published | Jun 12 | http://www.ccsa.org.cn/english/tc/files.php?docpath=/ITU-R/M.1457/M.1457-12/DS |
| ETSI | ETSI TS 123 003 | 3.15.0 | Published | Oct 06 | http://www.etsi.org/deliver/etsi_ts/123000_123099/123003/03.15.00_60/ |
| TTC | TS-3GA-23.003(R99)v3.15.0 | 3.15.0 | Approved | Mar 07 | http://www.ttc.or.jp/j/document_list/free/TS/TS-3GA-23.003(R99)v3.15.0.pdf |
| Release 4 | | | | | |
| CCSA | CCSA-TSD-DS-23.003 | 4.9.0 | Published | Jun 12 | http://www.ccsa.org.cn/english/tc/files.php?docpath=/ITU-R/M.1457/M.1457-12/DS |
| ETSI | ETSI TS 123 003 | 4.9.0 | Published | Oct 06 | http://www.etsi.org/deliver/etsi_ts/123000_123099/123003/04.09.00_60/ |
| TTC | TS-3GA-23.003(Rel4)v4.9.0 | 4.9.0 | Approved | Mar 07 | http://www.ttc.or.jp/j/document_list/free/TS/TS-3GA-23.003(Rel4)v4.9.0.pdf |
| Release 5 | | | | | |
| CCSA | CCSA-TSD-DS-23.003 | 5.11.0 | Published | Jun 12 | http://www.ccsa.org.cn/english/tc/files.php?docpath=/ITU-R/M.1457/M.1457-12/DS |
| ETSI | ETSI TS 123 003 | 5.11.0 | Published | Jul 06 | http://www.etsi.org/deliver/etsi_ts/123000_123099/123003/05.11.00_60/ |
| TTC | TS-3GA-23.003(Rel5)v5.11.0 | 5.11.0 | Approved | Mar 07 | http://www.ttc.or.jp/j/document_list/free/TS/TS-3GA-23.003(Rel5)v5.11.0.pdf |
| Release 6 | | | | | |
| CCSA | CCSA-TSD-DS-23.003 | 6.16.0 | Published | Jun 12 | http://www.ccsa.org.cn/english/tc/files.php?docpath=/ITU-R/M.1457/M.1457-12/DS |
| ETSI | ETSI TS 123 003 | 6.17.0 | Published | Apr 12 | http://www.etsi.org/deliver/etsi_ts/123000_123099/123003/06.17.00_60/ |
| TTC | TS-3GA-23.003(Rel6)v6.17.0 | 6.17.0 | Approved | Jun 12 | http://www.ttc.or.jp/j/document_list/free/3gpps2012/TS/TS-3GA-23.003(Rel6)v6.17.0.pdf |

Release 7

| | | | | | |
|------|----------------------------|--------|-----------|--------|---|
| CCSA | CCSA-TSD-DS-23.003 | 7.10.0 | Published | Jun 12 | http://www.ccsa.org.cn/english/tc/files.php?docpath=/ITU-R/M.1457/M.1457-12/DS |
| ETSI | ETSI TS 123 003 | 7.11.0 | Published | Apr 12 | http://www.etsi.org/deliver/etsi_ts/123000_123099/123003/07.11.00_60/ |
| TTC | TS-3GA-23.003(Rel7)v7.11.0 | 7.11.0 | Approved | Jun 12 | http://www.ttc.or.jp/j/document_list/free/3gpps2012/TS/TS-3GA-23.003(Rel7)v7.11.0.pdf |

Release 8

| | | | | | |
|------|----------------------------|--------|-----------|--------|---|
| CCSA | CCSA-TSD-DS-23.003 | 8.15.0 | Published | Jun 12 | http://www.ccsa.org.cn/english/tc/files.php?docpath=/ITU-R/M.1457/M.1457-12/DS |
| ETSI | ETSI TS 123 003 | 8.17.0 | Published | Jan 13 | http://www.etsi.org/deliver/etsi_ts/123000_123099/123003/08.17.00_60/ |
| TTC | TS-3GA-23.003(Rel8)v8.17.0 | 8.17.0 | Approved | Jun 13 | http://www.ttc.or.jp/jp/document_list/free/3gpps2013/TS/TS-3GA-23.003(Rel8)v8.17.0.pdf |

Release 9

| | | | | | |
|------|----------------------------|--------|-----------|--------|---|
| ATIS | ATIS.3GPP.23.003V9110-2014 | 9.11.0 | Approved | May 14 | https://www.atis.org/docstore/default.aspx |
| CCSA | CCSA-TSD-DS-23.003 | 9.9.0 | Published | Jun 12 | http://www.ccsa.org.cn/english/tc/files.php?docpath=/ITU-R/M.1457/M.1457-12/DS |
| ETSI | ETSI TS 123 003 | 9.11.0 | Published | Jan 13 | http://www.etsi.org/deliver/etsi_ts/123000_123099/123003/09.11.00_60/ |
| TTA | TTAT.3G-23.003(R9-9.2.0) | 9.2.0 | Approved | Jul 10 | http://www.tta.or.kr/data/ttasDown.jsp?where=14688&pk_num=TTAT.3G-23.003(R9-9.2.0) |
| TTC | TS-3GA-23.003(Rel9)v9.11.0 | 9.11.0 | Approved | Jun 13 | http://www.ttc.or.jp/jp/document_list/free/3gpps2013/TS/TS-3GA-23.003(Rel9)v9.11.0.pdf |

Release 10

| | | | | | |
|------|-----------------------------|--------|-----------|--------|---|
| ATIS | ATIS.3GPP.23.003V1060-2014 | 10.6.0 | Approved | May 14 | https://www.atis.org/docstore/default.aspx |
| CCSA | CCSA-TSD-DS-23.003 | 10.4.0 | Published | Jun 12 | http://www.ccsa.org.cn/english/tc/files.php?docpath=/ITU-R/M.1457/M.1457-12/DS |
| ETSI | ETSI TS 123 003 | 10.6.0 | Published | Jan 13 | http://www.etsi.org/deliver/etsi_ts/123000_123099/123003/10.06.00_60/ |
| TTA | TTAT.3G-23.003(R10-10.5.0) | 10.5.0 | Approved | Aug 12 | http://www.tta.or.kr/data/ttasDown.jsp?where=14688&pk_num=TTAT.3G-23.003(R10-10.5.0) |
| TTC | TS-3GA-23.003(Rel10)v10.6.0 | 10.6.0 | Approved | Jun 13 | http://www.ttc.or.jp/jp/document_list/free/3gpps2013/TS/TS-3GA-23.003(Rel10)v10.6.0.pdf |

Release 11

| | | | | | |
|------|-----------------------------|--------|-----------|--------|---|
| ATIS | ATIS.3GPP.23.003V1150-2014 | 11.5.0 | Approved | May 14 | https://www.atis.org/docstore/default.aspx |
| CCSA | CCSA-TSD-DS-23.003 | 11.8.0 | Published | Jun 14 | http://www.ccsa.org.cn/english/tc/files.php?docpath=/ITU-R/M.1457/M.1457-12/DS |
| ETSI | ETSI TS 123 003 | 11.5.0 | Published | Apr 13 | http://www.etsi.org/deliver/etsi_ts/123000_123099/123003/11.05.00_60/ |
| TTA | TTAT.3G-23.003(R11-11.5.0) | 11.5.0 | published | Aug 13 | http://www.tta.or.kr/data/ttasDown.jsp?where=14688&pk_num=TTAT.3G-23.003(R11-11.5.0) |
| TTC | TS-3GA-23.003(Rel11)v11.5.0 | 11.5.0 | Approved | Jun 13 | http://www.ttc.or.jp/jp/document_list/free/3gpps2013/TS/TS-3GA-23.003(Rel11)v11.5.0.pdf |

5.1.2.12.3 TS 23.007**Restoration procedures**

The data stored in location registers are automatically updated in normal operation; the main information stored in a location register defines the location of each mobile station and the subscriber data required to handle traffic for each mobile subscriber. The loss or corruption of these data will seriously degrade the service offered to mobile subscribers; it is therefore necessary to define procedures to limit the effects of failure of a location register, and to restore the location register data automatically. This document defines the necessary procedures.

| SDO (2) | Document No. | Version | Status | Issued date | Location (1) |
|-------------------|--------------------------|---------|-----------|-------------|---|
| Release 99 | | | | | |
| CCSA | CCSA-TSD-DS-23.007 | 3.6.0 | Published | Jun 12 | http://www.ccsa.org.cn/english/tc/files.php?docpath=/ITU-R/M.1457/M.1457-12/DS |
| ETSI | ETSI TS 123 007 | 3.6.0 | Published | Jan 04 | http://www.etsi.org/deliver/etsi_ts/123000_123099/123007/03.06.00_60/ |
| TTC | TS-3GA-23.007(R99)v3.6.0 | 3.6.0 | Approved | Feb 04 | http://www.ttc.or.jp/j/document_list/free/TS/TS-3GA-23.007(R99)v3.6.0.pdf |
| Release 4 | | | | | |
| CCSA | CCSA-TSD-DS-23.007 | 4.2.0 | Published | Jun 12 | http://www.ccsa.org.cn/english/tc/files.php?docpath=/ITU-R/M.1457/M.1457-12/DS |
| ETSI | ETSI TS 123 007 | 4.2.0 | Published | Jan 04 | http://www.etsi.org/deliver/etsi_ts/123000_123099/123007/04.02.00_60/ |

| | | | | | |
|-------------------|-----------------------------|--------|-----------|--------|---|
| TTC | TS-3GA-23.007(Rel4)v4.2.0 | 4.2.0 | Approved | Feb 04 | http://www.ttc.or.jp/j/document_list/free/TS/TS-3GA-23.007(Rel4)v4.2.0.pdf |
| Release 5 | | | | | |
| CCSA | CCSA-TSD-DS-23.007 | 5.1.0 | Published | Jun 12 | http://www.ccsa.org.cn/english/tc/files.php?docpath=/ITU-R/M.1457/M.1457-12/DS |
| ETSI | ETSI TS 123 007 | 5.1.0 | Published | Jan 04 | http://www.etsi.org/deliver/etsi_ts/123000_123099/123007/05.01.00_60/ |
| TTC | TS-3GA-23.007(Rel5)v5.1.0 | 5.1.0 | Approved | Feb 04 | http://www.ttc.or.jp/j/document_list/free/TS/TS-3GA-23.007(Rel5)v5.1.0.pdf |
| Release 6 | | | | | |
| CCSA | CCSA-TSD-DS-23.007 | 6.2.0 | Published | Jun 12 | http://www.ccsa.org.cn/english/tc/files.php?docpath=/ITU-R/M.1457/M.1457-12/DS |
| ETSI | ETSI TS 123 007 | 6.2.0 | Published | Jan 06 | http://www.etsi.org/deliver/etsi_ts/123000_123099/123007/06.02.00_60/ |
| TTC | TS-3GA-23.007(Rel6)v6.2.0 | 6.2.0 | Approved | Feb 06 | http://www.ttc.or.jp/j/document_list/free/TS/TS-3GA-23.007(Rel6)v6.2.0.pdf |
| Release 7 | | | | | |
| CCSA | CCSA-TSD-DS-23.007 | 7.0.0 | Published | Jun 12 | http://www.ccsa.org.cn/english/tc/files.php?docpath=/ITU-R/M.1457/M.1457-12/DS |
| ETSI | ETSI TS 123 007 | 7.0.0 | Published | Jul 07 | http://www.etsi.org/deliver/etsi_ts/123000_123099/123007/07.00.00_60/ |
| TTC | TS-3GA-23.007(Rel7)v7.0.0 | 7.0.0 | Approved | Mar 08 | http://www.ttc.or.jp/j/document_list/free/TS/TS-3GA-23.007(Rel7)v7.0.0.pdf |
| Release 8 | | | | | |
| CCSA | CCSA-TSD-DS-23.007 | 8.9.0 | Published | Jun 12 | http://www.ccsa.org.cn/english/tc/files.php?docpath=/ITU-R/M.1457/M.1457-12/DS |
| ETSI | ETSI TS 123 007 | 8.9.0 | Published | Jan 11 | http://www.etsi.org/deliver/etsi_ts/123000_123099/123007/08.09.00_60/ |
| TTC | TS-3GA-23.007(Rel8)v8.9.0 | 8.9.0 | Approved | Apr 11 | http://www.ttc.or.jp/j/document_list/free/3gpps2011/TS/TS-3GA-23.007(Rel8)v8.9.0.pdf |
| Release 9 | | | | | |
| ATIS | ATIS.3GPP.23.007V9100-2014 | 9.10.0 | Approved | May 14 | https://www.atis.org/docstore/default.aspx |
| CCSA | CCSA-TSD-DS-23.007 | 9.10.0 | Published | Jun 12 | http://www.ccsa.org.cn/english/tc/files.php?docpath=/ITU-R/M.1457/M.1457-12/DS |
| ETSI | ETSI TS 123 007 | 9.10.0 | Published | Jan 12 | http://www.etsi.org/deliver/etsi_ts/123000_123099/123007/09.10.00_60/ |
| TTA | TTAT.3G-23.007(R9-9.3.0) | 9.3.0 | Approved | Jul 10 | http://www.tta.or.kr/data/ttasDown.jsp?where=14688&pk_num=TTAT.3G-23.007(R9-9.3.0) |
| TTC | TS-3GA-23.007(Rel9)v9.10.0 | 9.10.0 | Approved | Feb 12 | http://www.ttc.or.jp/j/document_list/free/3gpps2012/TS/TS-3GA-23.007(Rel9)v9.10.0.pdf |
| Release 10 | | | | | |
| ATIS | ATIS.3GPP.23.007V1070-2014 | 10.7.0 | Approved | May 14 | https://www.atis.org/docstore/default.aspx |
| CCSA | CCSA-TSD-DS-23.007 | 10.6.0 | Published | Jun 12 | http://www.ccsa.org.cn/english/tc/files.php?docpath=/ITU-R/M.1457/M.1457-12/DS |
| ETSI | ETSI TS 123 007 | 10.7.0 | Published | Apr 12 | http://www.etsi.org/deliver/etsi_ts/123000_123099/123007/10.07.00_60/ |
| TTA | TTAT.3G-23.007(R10-10.7.0) | 10.7.0 | Approved | Aug 12 | http://www.tta.or.kr/data/ttasDown.jsp?where=14688&pk_num=TTAT.3G-23.007(R10-10.7.0) |
| TTC | TS-3GA-23.007(Rel10)v10.7.0 | 10.7.0 | Approved | Jun 12 | http://www.ttc.or.jp/j/document_list/free/3gpps2012/TS/TS-3GA-23.007(Rel10)v10.7.0.pdf |
| Release 11 | | | | | |
| ATIS | ATIS.3GPP.23.007V1150-2014 | 11.5.0 | Approved | May 14 | https://www.atis.org/docstore/default.aspx |
| CCSA | CCSA-TSD-DS-23.007 | 11.8.0 | Published | Jun 14 | http://www.ccsa.org.cn/english/tc/files.php?docpath=/ITU-R/M.1457/M.1457-12/DS |
| ETSI | ETSI TS 123 007 | 11.5.0 | Published | Apr 13 | http://www.etsi.org/deliver/etsi_ts/123000_123099/123007/11.05.00_60/ |
| TTA | TTAT.3G-23.007(R11-11.5.0) | 11.5.0 | published | Aug 13 | http://www.tta.or.kr/data/ttasDown.jsp?where=14688&pk_num=TTAT.3G-23.007(R11-11.5.0) |
| TTC | TS-3GA-23.007(Rel11)v11.5.0 | 11.5.0 | Approved | Jun 13 | http://www.ttc.or.jp/jp/document_list/free/3gpps2013/TS/TS-3GA-23.007(Rel11)v11.5.0.pdf |

5.1.2.12.4 TS 23.008

Organization of subscriber data

This document provides details concerning information to be stored in home subscriber servers, visitor location registers, GPRS Support Nodes and Call Session Control Function (CSCF) concerning mobile subscriber.

| SDO (2) | Document No. | Version | Status | Issued date | Location (1) |
|-------------------|-----------------------------|---------|-----------|-------------|---|
| Release 99 | | | | | |
| CCSA | CCSA-TSD-DS-23.008 | 3.8.0 | Published | Jun 12 | http://www.ccsa.org.cn/english/tc/files.php?docpath=/ITU-R/M.1457/M.1457-12/DS |
| ETSI | ETSI TS 123 008 | 3.8.0 | Published | Jul 03 | http://www.etsi.org/deliver/etsi_ts/123000_123099/123008/03.08.00_60/ |
| TTC | TS-3GA-23.008(R99)v3.8.0 | 3.8.0 | Approved | Aug 03 | http://www.ttc.or.jp/j/document_list/free/TS/TS-3GA-23.008(R99)v3.8.0.pdf |
| Release 4 | | | | | |
| CCSA | CCSA-TSD-DS-23.008 | 4.3.0 | Published | Jun 12 | http://www.ccsa.org.cn/english/tc/files.php?docpath=/ITU-R/M.1457/M.1457-12/DS |
| ETSI | ETSI TS 123 008 | 4.3.0 | Published | Jul 03 | http://www.etsi.org/deliver/etsi_ts/123000_123099/123008/04.03.00_60/ |
| TTC | TS-3GA-23.008(Rel4)v4.3.0 | 4.3.0 | Approved | Aug 03 | http://www.ttc.or.jp/j/document_list/free/TS/TS-3GA-23.008(Rel4)v4.3.0.pdf |
| Release 5 | | | | | |
| CCSA | CCSA-TSD-DS-23.008 | 5.14.0 | Published | Jun 12 | http://www.ccsa.org.cn/english/tc/files.php?docpath=/ITU-R/M.1457/M.1457-12/DS |
| ETSI | ETSI TS 123 008 | 5.14.0 | Published | Jan 10 | http://www.etsi.org/deliver/etsi_ts/123000_123099/123008/05.14.00_60/ |
| TTC | TS-3GA-23.008(Rel5)v5.14.0 | 5.14.0 | Approved | Apr 10 | http://www.ttc.or.jp/j/document_list/free/3gpps2010/TS/TS-3GA-23.008(Rel5)v5.14.0.pdf |
| Release 6 | | | | | |
| CCSA | CCSA-TSD-DS-23.008 | 6.15.0 | Published | Jun 12 | http://www.ccsa.org.cn/english/tc/files.php?docpath=/ITU-R/M.1457/M.1457-12/DS |
| ETSI | ETSI TS 123 008 | 6.15.0 | Published | Jan 10 | http://www.etsi.org/deliver/etsi_ts/123000_123099/123008/06.15.00_60/ |
| TTC | TS-3GA-23.008(Rel6)v6.15.0 | 6.15.0 | Approved | Apr 10 | http://www.ttc.or.jp/j/document_list/free/3gpps2010/TS/TS-3GA-23.008(Rel6)v6.15.0.pdf |
| Release 7 | | | | | |
| CCSA | CCSA-TSD-DS-23.008 | 7.11.0 | Published | Jun 12 | http://www.ccsa.org.cn/english/tc/files.php?docpath=/ITU-R/M.1457/M.1457-12/DS |
| ETSI | ETSI TS 123 008 | 7.11.0 | Published | Jan 10 | http://www.etsi.org/deliver/etsi_ts/123000_123099/123008/07.11.00_60/ |
| TTC | TS-3GA-23.008(Rel7)v7.11.0 | 7.11.0 | Approved | Apr 10 | http://www.ttc.or.jp/j/document_list/free/3gpps2010/TS/TS-3GA-23.008(Rel7)v7.11.0.pdf |
| Release 8 | | | | | |
| CCSA | CCSA-TSD-DS-23.008 | 8.11.0 | Published | Jun 12 | http://www.ccsa.org.cn/english/tc/files.php?docpath=/ITU-R/M.1457/M.1457-12/DS |
| ETSI | ETSI TS 123 008 | 8.13.0 | Published | Apr 13 | http://www.etsi.org/deliver/etsi_ts/123000_123099/123008/08.13.00_60/ |
| TTC | TS-3GA-23.008(Rel8)v8.13.0 | 8.13.0 | Approved | Jun 13 | http://www.ttc.or.jp/j/document_list/free/3gpps2013/TS/TS-3GA-23.008(Rel8)v8.13.0.pdf |
| Release 9 | | | | | |
| ATIS | ATIS.3GPP.23.008V970-2014 | 9.7.0 | Approved | May 14 | https://www.atis.org/docstore/default.aspx |
| CCSA | CCSA-TSD-DS-23.008 | 9.5.0 | Published | Jun 12 | http://www.ccsa.org.cn/english/tc/files.php?docpath=/ITU-R/M.1457/M.1457-12/DS |
| ETSI | ETSI TS 123 008 | 9.7.0 | Published | Apr 13 | http://www.etsi.org/deliver/etsi_ts/123000_123099/123008/09.07.00_60/ |
| TTA | TTAT.3G-23.008(R9-9.2.0) | 9.2.0 | Approved | Jul 10 | http://www.tta.or.kr/data/ttasDown.jsp?where=14688&pk_num=TTAT.3G-23.008(R9-9.2.0) |
| TTC | TS-3GA-23.008(Rel9)v9.7.0 | 9.7.0 | Approved | Jun 13 | http://www.ttc.or.jp/j/document_list/free/3gpps2013/TS/TS-3GA-23.008(Rel9)v9.7.0.pdf |
| Release 10 | | | | | |
| ATIS | ATIS.3GPP.23.008V1061-2014 | 10.6.1 | Approved | May 14 | https://www.atis.org/docstore/default.aspx |
| CCSA | CCSA-TSD-DS-23.008 | 10.4.0 | Published | Jun 12 | http://www.ccsa.org.cn/english/tc/files.php?docpath=/ITU-R/M.1457/M.1457-12/DS |
| ETSI | ETSI TS 123 008 | 10.6.1 | Published | May 13 | http://www.etsi.org/deliver/etsi_ts/123000_123099/123008/10.06.01_60/ |
| TTA | TTAT.3G-23.008(R10-10.4.0) | 10.4.0 | Approved | Apr 12 | http://www.tta.or.kr/data/ttasDown.jsp?where=14688&pk_num=TTAT.3G-23.008(R10-10.4.0) |
| TTC | TS-3GA-23.008(Rel10)v10.6.0 | 10.6.0 | Approved | Jun 13 | http://www.ttc.or.jp/j/document_list/free/3gpps2013/TS/TS-3GA-23.008(Rel10)v10.6.0.pdf |
| Release 11 | | | | | |
| ATIS | ATIS.3GPP.23.008V1170-2014 | 11.7.0 | Approved | May 14 | https://www.atis.org/docstore/default.aspx |
| CCSA | CCSA-TSD-DS-23.008 | 11.10.0 | Published | Jun 14 | http://www.ccsa.org.cn/english/tc/files.php?docpath=/ITU-R/M.1457/M.1457-12/DS |
| ETSI | ETSI TS 123 008 | 11.7.0 | Published | Apr 13 | http://www.etsi.org/deliver/etsi_ts/123000_123099/123008/11.07.00_60/ |
| TTA | TTAT.3G-23.008(R11-11.7.0) | 11.7.0 | published | Aug 13 | http://www.tta.or.kr/data/ttasDown.jsp?where=14688&pk_num=TTAT.3G-23.008(R11-11.7.0) |
| TTC | TS-3GA-23.008(Rel11)v11.7.0 | 11.7.0 | Approved | Jun 13 | http://www.ttc.or.jp/j/document_list/free/3gpps2013/TS/TS-3GA-23.008(Rel11)v11.7.0.pdf |

5.1.2.12.5 TS 23.009

Handover procedures

This document contains a detailed description of the handover procedures to be used in PLMNs. The purpose of the handover procedures are to ensure that the connection to the Mobile Station (MS) or User Equipment (UE) is maintained as it moves from one cell or radio network to another. The document defines the circuit switched handover functionality based on the service requirements in 3GPP TS 22.129. For the circuit switched handover functionality related to SRVCC, it is based on the service requirements in 3GPP TS 23.216.

| SDO (2) | Document No. | Version | Status | Issued date | Location (1) |
|-------------------|----------------------------|---------|-----------|-------------|---|
| Release 99 | | | | | |
| CCSA | CCSA-TSD-DS-23.009 | 3.14.0 | Published | Jun 12 | http://www.ccsa.org.cn/english/tc/files.php?docpath=/ITU-R/M.1457/M.1457-12/DS |
| ETSI | ETSI TS 123 009 | 3.14.0 | Published | Jul 03 | http://www.etsi.org/deliver/etsi_ts/123000_123099/123009/03.14.00_60/ |
| TTC | TS-3GA-23.009(R99)v3.14.0 | 3.14.0 | Approved | Aug 03 | http://www.ttc.or.jp/j/document_list/free/TS/TS-3GA-23.009(R99)v3.14.0.pdf |
| Release 4 | | | | | |
| CCSA | CCSA-TSD-DS-23.009 | 4.9.0 | Published | Jun 12 | http://www.ccsa.org.cn/english/tc/files.php?docpath=/ITU-R/M.1457/M.1457-12/DS |
| ETSI | ETSI TS 123 009 | 4.9.0 | Published | Jan 04 | http://www.etsi.org/deliver/etsi_ts/123000_123099/123009/04.09.00_60/ |
| TTC | TS-3GA-23.009(Rel4)v4.9.0 | 4.9.0 | Approved | Feb 04 | http://www.ttc.or.jp/j/document_list/free/TS/TS-3GA-23.009(Rel4)v4.9.0.pdf |
| Release 5 | | | | | |
| CCSA | CCSA-TSD-DS-23.009 | 5.12.0 | Published | Jun 12 | http://www.ccsa.org.cn/english/tc/files.php?docpath=/ITU-R/M.1457/M.1457-12/DS |
| ETSI | ETSI TS 123 009 | 5.12.0 | Published | Jan 09 | http://www.etsi.org/deliver/etsi_ts/123000_123099/123009/05.12.00_60/ |
| TTC | TS-3GA-23.009(Rel5)v5.12.0 | 5.12.0 | Approved | Feb 09 | http://www.ttc.or.jp/j/document_list/free/3gpps2009/TS/TS-3GA-23.009(Rel5)v5.12.0.pdf |
| Release 6 | | | | | |
| CCSA | CCSA-TSD-DS-23.009 | 6.5.0 | Published | Jun 12 | http://www.ccsa.org.cn/english/tc/files.php?docpath=/ITU-R/M.1457/M.1457-12/DS |
| ETSI | ETSI TS 123 009 | 6.5.0 | Published | Jan 09 | http://www.etsi.org/deliver/etsi_ts/123000_123099/123009/06.05.00_60/ |
| TTC | TS-3GA-23.009(Rel6)v6.5.0 | 6.5.0 | Approved | Feb 09 | http://www.ttc.or.jp/j/document_list/free/3gpps2009/TS/TS-3GA-23.009(Rel6)v6.5.0.pdf |
| Release 7 | | | | | |
| CCSA | CCSA-TSD-DS-23.009 | 7.1.1 | Published | Jun 12 | http://www.ccsa.org.cn/english/tc/files.php?docpath=/ITU-R/M.1457/M.1457-12/DS |
| ETSI | ETSI TS 123 009 | 7.1.1 | Published | Jan 09 | http://www.etsi.org/deliver/etsi_ts/123000_123099/123009/07.01.01_60/ |
| TTC | TS-3GA-23.009(Rel7)v7.1.0 | 7.1.0 | Approved | Feb 09 | http://www.ttc.or.jp/j/document_list/free/3gpps2009/TS/TS-3GA-23.009(Rel7)v7.1.0.pdf |
| Release 8 | | | | | |
| CCSA | CCSA-TSD-DS-23.009 | 8.2.0 | Published | Jun 12 | http://www.ccsa.org.cn/english/tc/files.php?docpath=/ITU-R/M.1457/M.1457-12/DS |
| ETSI | ETSI TS 123 009 | 8.3.0 | Published | Jan 13 | http://www.etsi.org/deliver/etsi_ts/123000_123099/123009/08.03.00_60/ |
| TTC | TS-3GA-23.009(Rel8)v8.3.0 | 8.3.0 | Approved | Jun 13 | http://www.ttc.or.jp/j/document_list/free/3gpps2013/TS/TS-3GA-23.009(Rel8)v8.3.0.pdf |
| Release 9 | | | | | |
| CCSA | CCSA-TSD-DS-23.009 | 9.2.0 | Published | Jun 12 | http://www.ccsa.org.cn/english/tc/files.php?docpath=/ITU-R/M.1457/M.1457-12/DS |
| ETSI | ETSI TS 123 009 | 9.4.0 | Published | Jan 13 | http://www.etsi.org/deliver/etsi_ts/123000_123099/123009/09.04.00_60/ |
| TTC | TS-3GA-23.009(Rel9)v9.4.0 | 9.4.0 | Approved | Jun 13 | http://www.ttc.or.jp/j/document_list/free/3gpps2013/TS/TS-3GA-23.009(Rel9)v9.4.0.pdf |
| Release 10 | | | | | |
| ATIS | ATIS.3GPP.23.009V1020-2014 | 10.2.0 | Approved | May 14 | https://www.atis.org/docstore/default.aspx |
| CCSA | CCSA-TSD-DS-23.009 | 10.0.0 | Published | Jun 12 | http://www.ccsa.org.cn/english/tc/files.php?docpath=/ITU-R/M.1457/M.1457-12/DS |
| ETSI | ETSI TS 123 009 | 10.2.0 | Published | Jan 13 | http://www.etsi.org/deliver/etsi_ts/123000_123099/123009/10.02.00_60/ |
| TTA | TTAT.3G-23.009(R10-10.0.0) | 10.0.0 | Approved | Apr 12 | http://www.tta.or.kr/data/ttasDown.jsp?where=14688&pk_num=TTAT.3G-23.009(R10-10.0.0) |

| | | | | | |
|-------------------|-----------------------------|--------|-----------|--------|---|
| TTC | TS-3GA-23.009(Rel10)v10.2.0 | 10.2.0 | Approved | Jun 13 | http://www.ttc.or.jp/j/document_list/free/3gpps2013/TS/TS-3GA-23.009(Rel10)v10.2.0.pdf |
| Release 11 | | | | | |
| ATIS | ATIS.3GPP.23.009V1120-2014 | 11.2.0 | Approved | May 14 | https://www.atis.org/docstore/default.aspx |
| CCSA | CCSA-TSD-DS-23.009 | 11.2.0 | Published | Jun 14 | http://www.ccsa.org.cn/english/tc/files.php?docpath=/ITU-R/M.1457/M.1457-12/DS |
| ETSI | ETSI TS 123 009 | 11.2.0 | Published | Jan 13 | http://www.etsi.org/deliver/etsi_ts/123000_123099/123009/11.02.00_60/ |
| TTA | TTAT.3G-23.009(R11-11.2.0) | 11.2.0 | published | Aug 13 | http://www.tta.or.kr/data/ttasDown.jsp?where=14688&pk_num=TTAT.3G-23.009(R11-11.2.0) |
| TTC | TS-3GA-23.009(Rel11)v11.2.0 | 11.2.0 | Approved | Jun 13 | http://www.ttc.or.jp/j/document_list/free/3gpps2013/TS/TS-3GA-23.009(Rel11)v11.2.0.pdf |

5.1.2.12.6 TS 23.011

Technical realization of Supplementary Services

This document describes the general aspects on how supplementary services in the 3GPP system are realised from a technical point of view. Description of technical realisation for specific supplementary services can be found in 3GPP TS 23.072. All supplementary services may require signalling on the radio path. For some supplementary services information needs to be transferred between the Home Location Register (HLR), the Visitor Location Register (VLR), the Mobile services Switching Centre (MSC) and the Serving GPRS Support Node (SGSN). Signalling procedures for such information transfer are defined in 3GPP TS 29.002.

| SDO (2) | Document No. | Version | Status | Issued date | Location (1) |
|-------------------|-----------------------------|---------|-----------|-------------|---|
| Release 99 | | | | | |
| TTC | JP-3GA-23.011(R99) | 3.1.0 | Approved | May 01 | http://www.ttc.or.jp/j/document_list/pdf/j/STD/JP-3GA-23.011(R99)v3.pdf |
| Release 4 | | | | | |
| TTC | TS-3GA-23.011(Rel4)v4.0.0 | 4.0.0 | Approved | May 01 | http://www.ttc.or.jp/j/document_list/free/TS/TS-3GA-23.011(Rel4)v4.0.0.pdf |
| Release 5 | | | | | |
| TTC | TS-3GA-23.011(Rel5)v5.0.0 | 5.0.0 | Approved | Aug 02 | http://www.ttc.or.jp/j/document_list/free/TS/TS-3GA-23.011(Rel5)v5.0.0.pdf |
| Release 6 | | | | | |
| TTC | TS-3GA-23.011(Rel6)v6.0.0 | 6.0.0 | Approved | Mar 05 | http://www.ttc.or.jp/j/document_list/free/TS/TS-3GA-23.011(Rel6)v6.0.0.pdf |
| Release 7 | | | | | |
| TTC | TS-3GA-23.011(Rel7)v7.0.0 | 7.0.0 | Approved | Mar 08 | http://www.ttc.or.jp/j/document_list/free/TS/TS-3GA-23.011(Rel7)v7.0.0.pdf |
| Release 8 | | | | | |
| TTC | TS-3GA-23.011(Rel8)v8.0.0 | 8.0.0 | Approved | Feb 09 | http://www.ttc.or.jp/j/document_list/free/3gpps2009/TS/TS-3GA-23.011(Rel8)v8.0.0.pdf |
| Release 9 | | | | | |
| TTC | TS-3GA-23.011(Rel9)v9.0.0 | 9.0.0 | Approved | Jul 10 | http://www.ttc.or.jp/j/document_list/free/3gpps2010/TS/TS-3GA-23.011(Rel9)v9.0.0.pdf |
| Release 10 | | | | | |
| TTC | TS-3GA-23.011(Rel10)v10.0.0 | 10.0.0 | Approved | Jun 11 | http://www.ttc.or.jp/j/document_list/free/3gpps2011/TS/TS-3GA-23.011(Rel10)v10.0.0.pdf |
| Release 11 | | | | | |
| ATIS | ATIS.3GPP.23.011V1100-2014 | 11.0.0 | Approved | May 14 | https://www.atis.org/docstore/default.aspx |
| TTA | TTAT.3G-23.011(R11-11.0.0) | 11.0.0 | published | Aug 13 | http://www.tta.or.kr/data/ttasDown.jsp?where=14688&pk_num=TTAT.3G-23.011(R11-11.0.0) |
| TTC | TS-3GA-23.011(Rel11)v11.0.0 | 11.0.0 | Approved | Jun 13 | http://www.ttc.or.jp/j/document_list/free/3gpps2013/TS/TS-3GA-23.011(Rel11)v11.0.0.pdf |

5.1.2.12.7 TS 23.018

Basic call handling; Technical realization

This document specifies the technical realization of the handling of calls originated by a UMTS or GSM mobile subscriber and calls directed to a UMTS or GSM mobile subscriber, up to the point where the call is established. Normal release of the call after establishment is also specified. Trunk Originated call is also modelled.

| SDO (2) | Document No. | Version | Status | Issued date | Location (1) |
|-------------------|----------------------------|---------|-----------|-------------|---|
| Release 99 | | | | | |
| CCSA | CCSA-TSD-DS-23.018 | 3.12.0 | Published | Jun 12 | http://www.ccsa.org.cn/english/tc/files.php?docpath=/ITU-R/M.1457/M.1457-12/DS |
| ETSI | ETSI TS 123 018 | 3.12.0 | Published | Apr 03 | http://www.etsi.org/deliver/etsi_ts/123000_123099/123018/03.12.00_60/ |
| TTC | TS-3GA-23.018(R99)v3.12.0 | 3.12.0 | Approved | May 03 | http://www.ttc.or.jp/j/document_list/free/TS/TS-3GA-23.018(R99)v3.12.0.pdf |
| Release 4 | | | | | |
| CCSA | CCSA-TSD-DS-23.018 | 4.7.0 | Published | Jun 12 | http://www.ccsa.org.cn/english/tc/files.php?docpath=/ITU-R/M.1457/M.1457-12/DS |
| ETSI | ETSI TS 123 018 | 4.7.0 | Published | Apr 03 | http://www.etsi.org/deliver/etsi_ts/123000_123099/123018/04.07.00_60/ |
| TTC | TS-3GA-23.018(Rel4)v4.7.0 | 4.7.0 | Approved | May 03 | http://www.ttc.or.jp/j/document_list/free/TS/TS-3GA-23.018(Rel4)v4.7.0.pdf |
| Release 5 | | | | | |
| CCSA | CCSA-TSD-DS-23.018 | 5.10.0 | Published | Jun 12 | http://www.ccsa.org.cn/english/tc/files.php?docpath=/ITU-R/M.1457/M.1457-12/DS |
| ETSI | ETSI TS 123 018 | 5.10.0 | Published | Oct 06 | http://www.etsi.org/deliver/etsi_ts/123000_123099/123018/05.10.00_60/ |
| TTC | TS-3GA-23.018(Rel5)v5.10.0 | 5.10.0 | Approved | Mar 07 | http://www.ttc.or.jp/j/document_list/free/TS/TS-3GA-23.018(Rel5)v5.10.0.pdf |
| Release 6 | | | | | |
| CCSA | CCSA-TSD-DS-23.018 | 6.6.0 | Published | Jun 12 | http://www.ccsa.org.cn/english/tc/files.php?docpath=/ITU-R/M.1457/M.1457-12/DS |
| ETSI | ETSI TS 123 018 | 6.6.0 | Published | Oct 06 | http://www.etsi.org/deliver/etsi_ts/123000_123099/123018/06.06.00_60/ |
| TTC | TS-3GA-23.018(Rel6)v6.6.0 | 6.6.0 | Approved | Mar 07 | http://www.ttc.or.jp/j/document_list/free/TS/TS-3GA-23.018(Rel6)v6.6.0.pdf |
| Release 7 | | | | | |
| CCSA | CCSA-TSD-DS-23.018 | 7.7.0 | Published | Jun 12 | http://www.ccsa.org.cn/english/tc/files.php?docpath=/ITU-R/M.1457/M.1457-12/DS |
| ETSI | ETSI TS 123 018 | 7.7.0 | Published | Oct 08 | http://www.etsi.org/deliver/etsi_ts/123000_123099/123018/07.07.00_60/ |
| TTC | TS-3GA-23.018(Rel7)v7.7.0 | 7.7.0 | Approved | Feb 09 | http://www.ttc.or.jp/j/document_list/free/3gpps2009/TS/TS-3GA-23.018(Rel7)v7.7.0.pdf |
| Release 8 | | | | | |
| CCSA | CCSA-TSD-DS-23.018 | 8.5.0 | Published | Jun 12 | http://www.ccsa.org.cn/english/tc/files.php?docpath=/ITU-R/M.1457/M.1457-12/DS |
| ETSI | ETSI TS 123 018 | 8.5.0 | Published | Jan 12 | http://www.etsi.org/deliver/etsi_ts/123000_123099/123018/08.05.00_60/ |
| TTC | TS-3GA-23.018(Rel8)v8.5.0 | 8.5.0 | Approved | Feb 12 | http://www.ttc.or.jp/j/document_list/free/3gpps2012/TS/TS-3GA-23.018(Rel8)v8.5.0.pdf |
| Release 9 | | | | | |
| ATIS | ATIS.3GPP.23.018V940-2014 | 9.4.0 | Approved | May 14 | https://www.atis.org/docstore/default.aspx |
| CCSA | CCSA-TSD-DS-23.018 | 9.4.0 | Published | Jun 12 | http://www.ccsa.org.cn/english/tc/files.php?docpath=/ITU-R/M.1457/M.1457-12/DS |
| ETSI | ETSI TS 123 018 | 9.4.0 | Published | Jan 12 | http://www.etsi.org/deliver/etsi_ts/123000_123099/123018/09.04.00_60/ |
| TTA | TTAT.3G-23.018(R9-9.1.0) | 9.1.0 | Approved | Jul 10 | http://www.tta.or.kr/data/ttasDown.jsp?where=14688&pk_num=TTAT.3G-23.018(R9-9.1.0) |
| TTC | TS-3GA-23.018(Rel9)v9.4.0 | 9.4.0 | Approved | Feb 12 | http://www.ttc.or.jp/j/document_list/free/3gpps2012/TS/TS-3GA-23.018(Rel9)v9.4.0.pdf |
| Release 10 | | | | | |
| ATIS | ATIS.3GPP.23.018V1040-2014 | 10.4.0 | Approved | May 14 | https://www.atis.org/docstore/default.aspx |
| CCSA | CCSA-TSD-DS-23.018 | 10.3.0 | Published | Jun 12 | http://www.ccsa.org.cn/english/tc/files.php?docpath=/ITU-R/M.1457/M.1457-12/DS |
| ETSI | ETSI TS 123 018 | 10.4.0 | Published | Apr 13 | http://www.etsi.org/deliver/etsi_ts/123000_123099/123018/10.04.00_60/ |

| | | | | | |
|-------------------|-----------------------------|--------|-----------|--------|---|
| TTA | TTAT.3G-23.018(R10-10.3.0) | 10.3.0 | Approved | Aug 12 | http://www.tta.or.kr/data/ttasDown.jsp?where=14688&pk_num=TTAT.3G-23.018(R10-10.3.0) |
| TTC | TS-3GA-23.018(Rel10)v10.4.0 | 10.4.0 | Approved | Jun 13 | http://www.ttc.or.jp/j/document_list/free/3gpps2013/TS/TS-3GA-23.018(Rel10)v10.4.0.pdf |
| Release 11 | | | | | |
| ATIS | ATIS.3GPP.23.018V1140-2014 | 11.4.0 | Approved | May 14 | https://www.atis.org/docstore/default.aspx |
| CCSA | CCSA-TSD-DS-23.018 | 11.4.0 | Published | Jun 14 | http://www.ccsa.org.cn/english/tc/files.php?docpath=/ITU-R/M.1457/M.1457-12/DS |
| ETSI | ETSI TS 123 018 | 11.4.0 | Published | Apr 13 | http://www.etsi.org/deliver/etsi_ts/123000_123099/123018/11.04.00_60/ |
| TTA | TTAT.3G-23.018(R11-11.4.0) | 11.4.0 | published | Aug 13 | http://www.tta.or.kr/data/ttasDown.jsp?where=14688&pk_num=TTAT.3G-23.018(R11-11.4.0) |
| TTC | TS-3GA-23.018(Rel11)v11.4.0 | 11.4.0 | Approved | Jun 13 | http://www.ttc.or.jp/j/document_list/free/3gpps2013/TS/TS-3GA-23.018(Rel11)v11.4.0.pdf |

5.1.2.12.8 TS 23.034

High Speed Circuit Switched Data (HSCSD); Stage 2

This document contains the stage 2 service description for a High Speed Circuit Switched Data (HSCSD) on GSM/GERAN in A/Gb mode and Iu mode. HSCSD utilizes the multislot mechanism, i.e. using multiple traffic channels (/bearers) for the communication. Additionally, this document specifies some HSCSD related requirements for multi system mobile stations operating in UTRAN Iu mode. In UTRAN Iu mode one bearer can provide all needed data rates, and the multislot mechanism is therefore not needed. However, for inter-system handover to GERAN, certain information has to be provided by the mobile station during the service negotiation.

| SDO (2) | Document No. | Version | Status | Issued date | Location (1) |
|-------------------|---------------------------|---------|-----------|-------------|---|
| Release 99 | | | | | |
| CCSA | CCSA-TSD-DS-23.034 | 3.3.0 | Published | Jun 12 | http://www.ccsa.org.cn/english/tc/files.php?docpath=/ITU-R/M.1457/M.1457-12/DS |
| ETSI | ETSI TS 123 034 | 3.3.0 | Published | Feb 01 | http://www.etsi.org/deliver/etsi_ts/123000_123099/123034/03.03.00_60/ |
| TTC | JP-3GA-23.034(R99) | 3.3.0 | Approved | May 01 | http://www.ttc.or.jp/j/document_list/pdf/j/STD/JP-3GA-23.034(R99)v3.pdf |
| Release 4 | | | | | |
| CCSA | CCSA-TSD-DS-23.034 | 4.0.0 | Published | Jun 12 | http://www.ccsa.org.cn/english/tc/files.php?docpath=/ITU-R/M.1457/M.1457-12/DS |
| ETSI | ETSI TS 123 034 | 4.0.0 | Published | Apr 01 | http://www.etsi.org/deliver/etsi_ts/123000_123099/123034/04.00.00_60/ |
| TTC | TS-3GA-23.034(Rel4)v4.0.0 | 4.0.0 | Approved | May 01 | http://www.ttc.or.jp/j/document_list/free/TS/TS-3GA-23.034(Rel4)v4.0.0.pdf |
| Release 5 | | | | | |
| CCSA | CCSA-TSD-DS-23.034 | 5.2.0 | Published | Jun 12 | http://www.ccsa.org.cn/english/tc/files.php?docpath=/ITU-R/M.1457/M.1457-12/DS |
| ETSI | ETSI TS 123 034 | 5.2.0 | Published | Apr 03 | http://www.etsi.org/deliver/etsi_ts/123000_123099/123034/05.02.00_60/ |
| TTC | TS-3GA-23.034(Rel5)v5.2.0 | 5.2.0 | Approved | May 03 | http://www.ttc.or.jp/j/document_list/free/TS/TS-3GA-23.034(Rel5)v5.2.0.pdf |
| Release 6 | | | | | |
| CCSA | CCSA-TSD-DS-23.034 | 6.0.0 | Published | Jun 12 | http://www.ccsa.org.cn/english/tc/files.php?docpath=/ITU-R/M.1457/M.1457-12/DS |
| ETSI | ETSI TS 123 034 | 6.0.0 | Published | Jan 05 | http://www.etsi.org/deliver/etsi_ts/123000_123099/123034/06.00.00_60/ |
| TTC | TS-3GA-23.034(Rel6)v6.0.0 | 6.0.0 | Approved | Mar 05 | http://www.ttc.or.jp/j/document_list/free/TS/TS-3GA-23.034(Rel6)v6.0.0.pdf |
| Release 7 | | | | | |
| CCSA | CCSA-TSD-DS-23.034 | 7.0.0 | Published | Jun 12 | http://www.ccsa.org.cn/english/tc/files.php?docpath=/ITU-R/M.1457/M.1457-12/DS |
| ETSI | ETSI TS 123 034 | 7.0.0 | Published | Jul 07 | http://www.etsi.org/deliver/etsi_ts/123000_123099/123034/07.00.00_60/ |
| TTC | TS-3GA-23.034(Rel7)v7.0.0 | 7.0.0 | Approved | Mar 08 | http://www.ttc.or.jp/j/document_list/free/TS/TS-3GA-23.034(Rel7)v7.0.0.pdf |
| Release 8 | | | | | |
| CCSA | CCSA-TSD-DS-23.034 | 8.0.0 | Published | Jun 12 | http://www.ccsa.org.cn/english/tc/files.php?docpath=/ITU-R/M.1457/M.1457-12/DS |
| ETSI | ETSI TS 123 034 | 8.0.0 | Published | Jan 09 | http://www.etsi.org/deliver/etsi_ts/123000_123099/123034/08.00.00_60/ |
| TTC | TS-3GA-23.034(Rel8)v8.0.0 | 8.0.0 | Approved | Feb 09 | http://www.ttc.or.jp/j/document_list/free/3gpps2009/TS/TS-3GA-23.034(Rel8)v8.0.0.pdf |

Release 9

| | | | | | |
|------|---------------------------|-------|-----------|--------|---|
| CCSA | CCSA-TSD-DS-23.034 | 9.0.0 | Published | Jun 12 | http://www.ccsa.org.cn/english/tc/files.php?docpath=/ITU-R/M.1457/M.1457-12/DS |
| ETSI | ETSI TS 123 034 | 9.0.0 | Published | Jan 10 | http://www.etsi.org/deliver/etsi_ts/123000_123099/123034/09.00.00_60/ |
| TTC | TS-3GA-23.034(Rel9)v9.0.0 | 9.0.0 | Approved | Jul 10 | http://www.ttc.or.jp/j/document_list/free/3gpps2010/TS/TS-3GA-23.034(Rel9)v9.0.0.pdf |

Release 10

| | | | | | |
|------|-----------------------------|--------|-----------|--------|---|
| ATIS | ATIS.3GPP.23.034V1000-2012 | 10.0.0 | Approved | Jul 12 | https://www.atis.org/docstore/default.aspx |
| CCSA | CCSA-TSD-DS-23.034 | 10.0.0 | Published | Jun 12 | http://www.ccsa.org.cn/english/tc/files.php?docpath=/ITU-R/M.1457/M.1457-12/DS |
| ETSI | ETSI TS 123 034 | 10.0.0 | Published | Mar 11 | http://www.etsi.org/deliver/etsi_ts/123000_123099/123034/10.00.00_60/ |
| TTA | TTAT.3G-23.034(R10-10.0.0) | 10.0.0 | Approved | Apr 12 | http://www.tta.or.kr/data/ttasDown.jsp?where=14688&pk_num=TTAT.3G-23.034(R10-10.0.0) |
| TTC | TS-3GA-23.034(Rel10)v10.0.0 | 10.0.0 | Approved | Jun 11 | http://www.ttc.or.jp/j/document_list/free/3gpps2011/TS/TS-3GA-23.034(Rel10)v10.0.0.pdf |

Release 11

| | | | | | |
|------|-----------------------------|--------|-----------|--------|---|
| ATIS | ATIS.3GPP.23.034V1100-2014 | 11.0.0 | Approved | May 14 | https://www.atis.org/docstore/default.aspx |
| CCSA | CCSA-TSD-DS-23.034 | 11.0.0 | Published | Jun 14 | http://www.ccsa.org.cn/english/tc/files.php?docpath=/ITU-R/M.1457/M.1457-12/DS |
| ETSI | ETSI TS 123 034 | 11.0.0 | Published | Oct 12 | http://www.etsi.org/deliver/etsi_ts/123000_123099/123034/11.00.00_60/ |
| TTA | TTAT.3G-23.034(R11-11.0.0) | 11.0.0 | published | Aug 13 | http://www.tta.or.kr/data/ttasDown.jsp?where=14688&pk_num=TTAT.3G-23.034(R11-11.0.0) |
| TTC | TS-3GA-23.034(Rel11)v11.0.0 | 11.0.0 | Approved | Jun 13 | http://www.ttc.or.jp/j/document_list/free/3gpps2013/TS/TS-3GA-23.034(Rel11)v11.0.0.pdf |

5.1.2.12.9 TS 23.038**Alphabets and language-specific information**

This document defines the character sets, languages and message handling requirements for SMS, CBS and USSD and may additionally be used for Man Machine Interface (MMI) (3GPP TS 22.030).

| SDO (2) | Document No. | Version | Status | Issued date | Location (1) |
|-------------------|---------------------------|---------|-----------|-------------|---|
| Release 99 | | | | | |
| ARIB | ARIB STD-T63-23.038 | 3.3.0 | Approved | Jul 13 | http://www.arib.or.jp/english/html/overview/doc/STD-T63v10_00/2_T63/ARIB-STD-T63/R99/23/A23038-330.pdf |
| ATIS | T1.3GPP.23.038V330-2002 | 3.3.0 | Approved | May 02 | https://www.atis.org/docstore/default.aspx |
| CCSA | CCSA-TSD-DS-23.038 | 3.3.0 | Published | Feb 00 | http://www.ccsa.org.cn/english/tc/files.php?docpath=/ITU-R/M.1457/M.1457-12/DS |
| ETSI | ETSI TS 123 038 | 3.3.0 | Published | Feb 00 | http://www.etsi.org/deliver/etsi_ts/123000_123099/123038/03.03.00_60/ |
| TTA | TTAE.3G-23.038(R99) | 3.3.0 | Approved | Dec 01 | http://www.tta.or.kr/data/ttasDown.jsp?where=14688&pk_num=TTAE.3G-23.038(R99) |
| Release 4 | | | | | |
| ARIB | ARIB STD-T63-23.038 | 4.5.0 | Approved | Jul 13 | http://www.arib.or.jp/english/html/overview/doc/STD-T63v10_00/2_T63/ARIB-STD-T63/Rel4/23/A23038-450.pdf |
| ATIS | ATIS.3GPP.23.038V450-2005 | 4.5.0 | Approved | Apr 05 | https://www.atis.org/docstore/default.aspx |
| CCSA | CCSA-TSD-DS-23.038 | 4.5.0 | Published | Oct 04 | http://www.ccsa.org.cn/english/tc/files.php?docpath=/ITU-R/M.1457/M.1457-12/DS |
| ETSI | ETSI TS 123 038 | 4.5.0 | Published | Oct 04 | http://www.etsi.org/deliver/etsi_ts/123000_123099/123038/04.05.00_60/ |
| TTA | TTAT.3G-23.038(R4-4.5.0) | 4.5.0 | Approved | May 05 | http://www.tta.or.kr/data/ttasDown.jsp?where=14688&pk_num=TTAT.3G-23.038(R4-4.5.0) |
| Release 5 | | | | | |
| ARIB | ARIB STD-T63-23.038 | 5.1.0 | Approved | Jul 13 | http://www.arib.or.jp/english/html/overview/doc/STD-T63v10_00/2_T63/ARIB-STD-T63/Rel5/23/A23038-510.pdf |
| ATIS | ATIS.3GPP.23.038V510-2005 | 5.1.0 | Approved | Apr 05 | https://www.atis.org/docstore/default.aspx |
| CCSA | CCSA-TSD-DS-23.038 | 5.1.0 | Published | Oct 04 | http://www.ccsa.org.cn/english/tc/files.php?docpath=/ITU-R/M.1457/M.1457-12/DS |
| ETSI | ETSI TS 123 038 | 5.1.0 | Published | Oct 04 | http://www.etsi.org/deliver/etsi_ts/123000_123099/123038/05.01.00_60/ |
| TTA | TTAT.3G-23.038(R5-5.1.0) | 5.1.0 | Approved | May 05 | http://www.tta.or.kr/data/ttasDown.jsp?where=14688&pk_num=TTAT.3G-23.038(R5-5.1.0) |

Release 6

| | | | | | |
|------|---------------------------|-------|-----------|--------|---|
| ARIB | ARIB STD-T63-23.038 | 6.1.0 | Approved | Jul 13 | http://www.arib.or.jp/english/html/overview/doc/STD-T63v10_00/2_T63/ARIB-STD-T63/Rel6/23/A23038-610.pdf |
| ATIS | ATIS.3GPP.23.038V610-2005 | 6.1.0 | Approved | Apr 05 | https://www.atis.org/docstore/default.aspx |
| CCSA | CCSA-TSD-DS-23.038 | 6.1.0 | Published | Jan 05 | http://www.ccsa.org.cn/english/tc/files.php?docpath=/ITU-R/M.1457/M.1457-12/DS |
| ETSI | ETSI TS 123 038 | 6.1.0 | Published | Jan 05 | http://www.etsi.org/deliver/etsi_ts/123000_123099/123038/06.01.00_60/ |
| TTA | TTAT.3G-23.038(R6-6.1.0) | 6.1.0 | Approved | May 05 | http://www.tta.or.kr/data/ttasDown.jsp?where=14688&pk_num=TTAT.3G-23.038(R6-6.1.0) |

Release 7

| | | | | | |
|------|---------------------------|-------|-----------|--------|---|
| ARIB | ARIB STD-T63-23.038 | 7.0.0 | Approved | Jul 13 | http://www.arib.or.jp/english/html/overview/doc/STD-T63v10_00/2_T63/ARIB-STD-T63/Rel7/23/A23038-700.pdf |
| ATIS | ATIS.3GPP.23.038V700-2007 | 7.0.0 | Approved | Oct 07 | https://www.atis.org/docstore/default.aspx |
| CCSA | CCSA-TSD-DS-23.038 | 7.0.0 | Published | Apr 07 | http://www.ccsa.org.cn/english/tc/files.php?docpath=/ITU-R/M.1457/M.1457-12/DS |
| ETSI | ETSI TS 123 038 | 7.0.0 | Published | Apr 07 | http://www.etsi.org/deliver/etsi_ts/123000_123099/123038/07.00.00_60/ |
| TTA | TTAT.3G-23.038(R7-7.0.0) | 7.0.0 | Approved | Dec 07 | http://www.tta.or.kr/data/ttasDown.jsp?where=14688&pk_num=TTAT.3G-23.038(R7-7.0.0) |

Release 8

| | | | | | |
|------|---------------------------|-------|-----------|--------|---|
| ARIB | ARIB STD-T63-23.038 | 8.3.0 | Approved | Jul 13 | http://www.arib.or.jp/english/html/overview/doc/STD-T63v10_00/2_T63/ARIB-STD-T63/Rel8/23/A23038-830.pdf |
| ATIS | ATIS.3GPP.23.038V830-2010 | 8.3.0 | Approved | Jul 10 | https://www.atis.org/docstore/default.aspx |
| CCSA | CCSA-TSD-DS-23.038 | 8.3.0 | Published | Mar 10 | http://www.ccsa.org.cn/english/tc/files.php?docpath=/ITU-R/M.1457/M.1457-12/DS |
| ETSI | ETSI TS 123 038 | 8.3.0 | Published | Jan 10 | http://www.etsi.org/deliver/etsi_ts/123000_123099/123038/08.03.00_60/ |
| TTA | TTAT.3G-23.038(R8-8.2.0) | 8.2.0 | Approved | Jul 09 | http://www.tta.or.kr/data/ttasDown.jsp?where=14688&pk_num=TTAT.3G-23.038(R8-8.2.0) |

Release 9

| | | | | | |
|------|---------------------------|--------|-----------|--------|---|
| ARIB | ARIB STD-T63-23.038 | 9.1.1 | Approved | Jul 13 | http://www.arib.or.jp/english/html/overview/doc/STD-T63v10_00/2_T63/ARIB-STD-T63/Rel9/23/A23038-911.pdf |
| ATIS | ATIS.3GPP.23.038V911-2010 | 9.1.1 | Approved | Jul 10 | https://www.atis.org/docstore/default.aspx |
| CCSA | CCSA-TSD-DS-23.038 | 9.1.1 | Published | Jun 12 | http://www.ccsa.org.cn/english/tc/files.php?docpath=/ITU-R/M.1457/M.1457-12/DS |
| ETSI | ETSI TS 123 038 | 9.1.1 | Published | Feb 10 | http://www.etsi.org/deliver/etsi_ts/123000_123099/123038/09.01.01_60/ |
| TTA | TTAT.3G-23.038(R9-9.1.1) | 9.1.1. | Approved | Jul 10 | http://www.tta.or.kr/data/ttasDown.jsp?where=14688&pk_num=TTAT.3G-23.038(R9-9.1.1) |

Release 10

| | | | | | |
|------|----------------------------|--------|-----------|--------|---|
| ARIB | ARIB STD-T63-23.038 | 10.0.0 | Approved | Jul 13 | http://www.arib.or.jp/english/html/overview/doc/STD-T63v10_00/2_T63/ARIB-STD-T63/Rel10/23/A23038-a00.pdf |
| ATIS | ATIS.3GPP.23.038V1000-2012 | 10.0.0 | Approved | Jul 12 | https://www.atis.org/docstore/default.aspx |
| CCSA | CCSA-TSD-DS-23.038 | 10.0.0 | Published | Jun 12 | http://www.ccsa.org.cn/english/tc/files.php?docpath=/ITU-R/M.1457/M.1457-12/DS |
| ETSI | ETSI TS 123 038 | 10.0.0 | Published | Mar 11 | http://www.etsi.org/deliver/etsi_ts/123000_123099/123038/10.00.00_60/ |
| TTA | TTAT.3G-23.038(R10-10.0.0) | 10.0.0 | Approved | Apr 12 | http://www.tta.or.kr/data/ttasDown.jsp?where=14688&pk_num=TTAT.3G-23.038(R10-10.0.0) |

Release 11

| | | | | | |
|------|----------------------------|--------|-----------|--------|---|
| ARIB | ARIB STD-T63-23.038 | 11.0.0 | Approved | Jul 13 | http://www.arib.or.jp/english/html/overview/doc/STD-T63v10_00/2_T63/ARIB-STD-T63/Rel11/23/A23038-b00.pdf |
| ATIS | ATIS.3GPP.23.038V1100-2014 | 11.0.0 | Approved | May 14 | https://www.atis.org/docstore/default.aspx |
| CCSA | CCSA-TSD-DS-23.038 | 11.0.0 | Published | Jun 14 | http://www.ccsa.org.cn/english/tc/files.php?docpath=/ITU-R/M.1457/M.1457-12/DS |
| ETSI | ETSI TS 123 038 | 11.0.0 | Published | Oct 12 | http://www.etsi.org/deliver/etsi_ts/123000_123099/123038/11.00.00_60/ |
| TTA | TTAT.3G-23.038(R11-11.0.0) | 11.0.0 | published | Aug 13 | http://www.tta.or.kr/data/ttasDown.jsp?where=14688&pk_num=TTAT.3G-23.038(R11-11.0.0) |

5.1.2.12.10 TS 23.040**Technical realization of the Short Message Service (SMS)**

This document describes the Short Message Service (SMS) for GSM/UMTS networks. It defines:

- the services and service elements;

- the network architecture;
- the Service Centre functionality;
- the SMS Router functionality;
- the MSC functionality (with regard to the SMS);
- the SGSN functionality (with regard to the SMS);
- the routing requirements;
- the protocols and protocol layering; for the Mobile Originated and Mobile Terminated Short Message Service Teleservices, as specified in 3GPP TS 22.003 and 3GPP TS 22.105. The use of radio resources for the transfer of short messages between the MS and the MSC or the SGSN is described in 3GPP TS 24.011.

| SDO (2) | Document No. | Version | Status | Issued date | Location (1) |
|-------------------|----------------------------|---------|-----------|-------------|---|
| Release 99 | | | | | |
| ARIB | ARIB STD-T63-23.040 | 3.11.0 | Approved | Jul 13 | http://www.arib.or.jp/english/html/overview/doc/STD-T63v10_00/2_T63/ARIB-STD-T63/R99/23/A23040-3b0.pdf |
| ATIS | ATIS.3GPP.23.040V3110-2008 | 3.11.0 | Approved | Oct 08 | https://www.atis.org/docstore/default.aspx |
| CCSA | CCSA-TSD-DS-23.040 | 3.11.0 | Published | Jun 08 | http://www.ccsa.org.cn/english/tc/files.php?docpath=/ITU-R/M.1457/M.1457-12/DS |
| ETSI | ETSI TS 123 040 | 3.11.0 | Published | Jun 08 | http://www.etsi.org/deliver/etsi_ts/123000_123099/123040/03.11.00_60/ |
| TTA | TTAT.3G-23.040(R99-3.11.0) | 3.11.0 | Approved | Oct 08 | http://www.tta.or.kr/data/ttasDown.jsp?where=14688&pk_num=TTAT.3G-23.040(R99-3.11.0) |
| Release 4 | | | | | |
| ARIB | ARIB STD-T63-23.040 | 4.10.0 | Approved | Jul 13 | http://www.arib.or.jp/english/html/overview/doc/STD-T63v10_00/2_T63/ARIB-STD-T63/Rel4/23/A23040-4a0.pdf |
| ATIS | ATIS.3GPP.23.040V4100-2008 | 4.10.0 | Approved | Oct 08 | https://www.atis.org/docstore/default.aspx |
| CCSA | CCSA-TSD-DS-23.040 | 4.10.0 | Published | Jun 08 | http://www.ccsa.org.cn/english/tc/files.php?docpath=/ITU-R/M.1457/M.1457-12/DS |
| ETSI | ETSI TS 123 040 | 4.10.0 | Published | Jun 08 | http://www.etsi.org/deliver/etsi_ts/123000_123099/123040/04.10.00_60/ |
| TTA | TTAT.3G-23.040(R4-4.10.0) | 4.10.0 | Approved | Oct 08 | http://www.tta.or.kr/data/ttasDown.jsp?where=14688&pk_num=TTAT.3G-23.040(R4-4.10.0) |
| Release 5 | | | | | |
| ARIB | ARIB STD-T63-23.040 | 5.9.0 | Approved | Jul 13 | http://www.arib.or.jp/english/html/overview/doc/STD-T63v10_00/2_T63/ARIB-STD-T63/Rel5/23/A23040-590.pdf |
| ATIS | ATIS.3GPP.23.040V590-2008 | 5.9.0 | Approved | Oct 08 | https://www.atis.org/docstore/default.aspx |
| CCSA | CCSA-TSD-DS-23.040 | 5.9.0 | Published | Jun 08 | http://www.ccsa.org.cn/english/tc/files.php?docpath=/ITU-R/M.1457/M.1457-12/DS |
| ETSI | ETSI TS 123 040 | 5.9.0 | Published | Jun 08 | http://www.etsi.org/deliver/etsi_ts/123000_123099/123040/05.09.00_60/ |
| TTA | TTAT.3G-23.040(R5-5.9.0) | 5.9.0 | Approved | Oct 08 | http://www.tta.or.kr/data/ttasDown.jsp?where=14688&pk_num=TTAT.3G-23.040(R5-5.9.0) |
| Release 6 | | | | | |
| ARIB | ARIB STD-T63-23.040 | 6.9.0 | Approved | Jul 13 | http://www.arib.or.jp/english/html/overview/doc/STD-T63v10_00/2_T63/ARIB-STD-T63/Rel6/23/A23040-690.pdf |
| ATIS | ATIS.3GPP.23.040V690-2008 | 6.9.0 | Approved | Oct 08 | https://www.atis.org/docstore/default.aspx |
| CCSA | CCSA-TSD-DS-23.040 | 6.9.0 | Published | Jun 08 | http://www.ccsa.org.cn/english/tc/files.php?docpath=/ITU-R/M.1457/M.1457-12/DS |
| ETSI | ETSI TS 123 040 | 6.9.0 | Published | Jun 08 | http://www.etsi.org/deliver/etsi_ts/123000_123099/123040/06.09.00_60/ |
| TTA | TTAT.3G-23.040(R6-6.9.0) | 6.9.0 | Approved | Oct 08 | http://www.tta.or.kr/data/ttasDown.jsp?where=14688&pk_num=TTAT.3G-23.040(R6-6.9.0) |
| Release 7 | | | | | |
| ARIB | ARIB STD-T63-23.040 | 7.2.0 | Approved | Jul 13 | http://www.arib.or.jp/english/html/overview/doc/STD-T63v10_00/2_T63/ARIB-STD-T63/Rel7/23/A23040-720.pdf |

| | | | | | |
|-------------------|----------------------------|--------|-----------|--------|---|
| ATIS | ATIS.3GPP.23.040V720-2009 | 7.2.0 | Approved | Jul 09 | https://www.atis.org/docstore/default.aspx |
| CCSA | CCSA-TSD-DS-23.040 | 7.2.0 | Published | Mar 09 | http://www.ccsa.org.cn/english/tc/files.php?docpath=/ITU-R/M.1457/M.1457-12/DS |
| ETSI | ETSI TS 123 040 | 7.2.0 | Published | Mar 09 | http://www.etsi.org/deliver/etsi_ts/123000_123099/123040/07.02.00_60/ |
| TTA | TTAT.3G-23.040(R7-7.2.0) | 7.2.0 | Approved | Jul 09 | http://www.tta.or.kr/data/ttasDown.jsp?where=14688&pk_num=TTAT.3G-23.040(R7-7.2.0) |
| Release 8 | | | | | |
| ARIB | ARIB STD-T63-23.040 | 8.6.0 | Approved | Jul 13 | http://www.arib.or.jp/english/html/overview/doc/STD-T63v10_00/2_T63/ARIB-STD-T63/Rel8/23/A23040-860.pdf |
| ATIS | ATIS.3GPP.23.040V860-2010 | 8.6.0 | Approved | Jul 10 | https://www.atis.org/docstore/default.aspx |
| CCSA | CCSA-TSD-DS-23.040 | 8.6.0 | Published | Mar 10 | http://www.ccsa.org.cn/english/tc/files.php?docpath=/ITU-R/M.1457/M.1457-12/DS |
| ETSI | ETSI TS 123 040 | 8.6.0 | Published | Oct 09 | http://www.etsi.org/deliver/etsi_ts/123000_123099/123040/08.06.00_60/ |
| TTA | TTAT.3G-23.040(R8-8.4.0) | 8.4.0 | Approved | Jul 09 | http://www.tta.or.kr/data/ttasDown.jsp?where=14688&pk_num=TTAT.3G-23.040(R8-8.4.0) |
| Release 9 | | | | | |
| ARIB | ARIB STD-T63-23.040 | 9.3.0 | Approved | Jul 13 | http://www.arib.or.jp/english/html/overview/doc/STD-T63v10_00/2_T63/ARIB-STD-T63/Rel9/23/A23040-930.pdf |
| ATIS | ATIS.3GPP.23.040V930-2012 | 9.3.0 | Approved | Jul 12 | https://www.atis.org/docstore/default.aspx |
| CCSA | CCSA-TSD-DS-23.040 | 9.3.0 | Published | Jun 12 | http://www.ccsa.org.cn/english/tc/files.php?docpath=/ITU-R/M.1457/M.1457-12/DS |
| ETSI | ETSI TS 123 040 | 9.3.0 | Published | Oct 10 | http://www.etsi.org/deliver/etsi_ts/123000_123099/123040/09.03.00_60/ |
| TTA | TTAT.3G-23.040(R9-9.2.0) | 9.2.0 | Approved | Jul 10 | http://www.tta.or.kr/data/ttasDown.jsp?where=14688&pk_num=TTAT.3G-23.040(R9-9.2.0) |
| Release 10 | | | | | |
| ARIB | ARIB STD-T63-23.040 | 10.0.0 | Approved | Jul 13 | http://www.arib.or.jp/english/html/overview/doc/STD-T63v10_00/2_T63/ARIB-STD-T63/Rel10/23/A23040-a00.pdf |
| ATIS | ATIS.3GPP.23.040V1000-2012 | 10.0.0 | Approved | Jul 12 | https://www.atis.org/docstore/default.aspx |
| CCSA | CCSA-TSD-DS-23.040 | 10.0.0 | Published | Jun 12 | http://www.ccsa.org.cn/english/tc/files.php?docpath=/ITU-R/M.1457/M.1457-12/DS |
| ETSI | ETSI TS 123 040 | 10.0.0 | Published | Apr 11 | http://www.etsi.org/deliver/etsi_ts/123000_123099/123040/10.00.00_60/ |
| TTA | TTAT.3G-23.040(R10-10.0.0) | 10.0.0 | Approved | Apr 12 | http://www.tta.or.kr/data/ttasDown.jsp?where=14688&pk_num=TTAT.3G-23.040(R10-10.0.0) |
| Release 11 | | | | | |
| ARIB | ARIB STD-T63-23.040 | 11.5.0 | Approved | Jul 13 | http://www.arib.or.jp/english/html/overview/doc/STD-T63v10_00/2_T63/ARIB-STD-T63/Rel11/23/A23040-b50.pdf |
| ATIS | ATIS.3GPP.23.040V1150-2014 | 11.5.0 | Approved | May 14 | https://www.atis.org/docstore/default.aspx |
| CCSA | CCSA-TSD-DS-23.040 | 11.5.0 | Published | Jun 14 | http://www.ccsa.org.cn/english/tc/files.php?docpath=/ITU-R/M.1457/M.1457-12/DS |
| ETSI | ETSI TS 123 040 | 11.5.0 | Published | Apr 13 | http://www.etsi.org/deliver/etsi_ts/123000_123099/123040/11.05.00_60/ |
| TTA | TTAT.3G-23.040(R11-11.5.0) | 11.5.0 | published | Aug 13 | http://www.tta.or.kr/data/ttasDown.jsp?where=14688&pk_num=TTAT.3G-23.040(R11-11.5.0) |

5.1.2.12.11 TS 23.041

Technical realization of Cell Broadcast Service (CBS)

This document describes the Cell Broadcast short message service (CBS) for GSM and UMTS.

For GSM it defines the primitives over the Cell Broadcast Centre – Base Station System (CBC-BSS) interface and the message formats over the Base Station System – Mobile Station (BSS-MS) interface for Teleservice 23 as specified in 3GPP TS 22.003. For UMTS it defines the interface requirements for the Cell Broadcast Center – UMTS Radio Network System (RNS) interface and the radio interface requirements for UMTS Radio Access Networks to support CBS as specified in 3GPP TS 22.003. The document also describes the Public Warning System (PWS) for GSM, UMTS and E-UTRAN, see 3GPP TS 22.268.

| SDO (2) | Document No. | Version | Status | Issued date | Location (1) |
|-------------------|----------------------------|---------|-----------|-------------|---|
| Release 99 | | | | | |
| ARIB | ARIB STD-T63-23.041 | 3.5.0 | Approved | Jul 13 | http://www.arib.or.jp/english/html/overview/doc/STD-T63v10_00/2_T63/ARIB-STD-T63/R99/23/A23041-350.pdf |
| ATIS | T1.3GPP.23.041V350-2003 | 3.5.0 | Approved | Mar 03 | https://www.atis.org/docstore/default.aspx |
| CCSA | CCSA-TSD-DS-23.041 | 3.5.0 | Published | Jul 02 | http://www.ccsa.org.cn/english/tc/files.php?docpath=/ITU-R/M.1457/M.1457-12/DS |
| ETSI | ETSI TS 123 041 | 3.5.0 | Published | Jul 02 | http://www.etsi.org/deliver/etsi_ts/123000_123099/123041/03.05.00_60/ |
| TTA | TTAT.3G-23.041(R99-3.5.0) | 3.5.0 | Approved | Mar 03 | http://www.tta.or.kr/data/ttasDown.jsp?where=14688&pk_num=TTAT.3G-23.041(R99-3.5.0) |
| Release 4 | | | | | |
| ARIB | ARIB STD-T63-23.041 | 4.4.0 | Approved | Jul 13 | http://www.arib.or.jp/english/html/overview/doc/STD-T63v10_00/2_T63/ARIB-STD-T63/Rel4/23/A23041-440.pdf |
| ATIS | T1.3GPP.23.041V440-2004 | 4.4.0 | Approved | May 04 | https://www.atis.org/docstore/default.aspx |
| CCSA | CCSA-TSD-DS-23.041 | 4.4.0 | Published | Apr 03 | http://www.ccsa.org.cn/english/tc/files.php?docpath=/ITU-R/M.1457/M.1457-12/DS |
| ETSI | ETSI TS 123 041 | 4.4.0 | Published | Apr 03 | http://www.etsi.org/deliver/etsi_ts/123000_123099/123041/04.04.00_60/ |
| TTA | TTAT.3G-23.041(R4-4.4.0) | 4.4.0 | Approved | May 04 | http://www.tta.or.kr/data/ttasDown.jsp?where=14688&pk_num=TTAT.3G-23.041(R4-4.4.0) |
| Release 5 | | | | | |
| ARIB | ARIB STD-T63-23.041 | 5.2.0 | Approved | Jul 13 | http://www.arib.or.jp/english/html/overview/doc/STD-T63v10_00/2_T63/ARIB-STD-T63/Rel5/23/A23041-520.pdf |
| ATIS | T1.3GPP.23.041V520-2004 | 5.2.0 | Approved | May 04 | https://www.atis.org/docstore/default.aspx |
| CCSA | CCSA-TSD-DS-23.041 | 5.2.0 | Published | Jan 04 | http://www.ccsa.org.cn/english/tc/files.php?docpath=/ITU-R/M.1457/M.1457-12/DS |
| ETSI | ETSI TS 123 041 | 5.2.0 | Published | Jan 04 | http://www.etsi.org/deliver/etsi_ts/123000_123099/123041/05.02.00_60/ |
| TTA | TTAT.3G-23.041(R5-5.2.0) | 5.2.0 | Approved | May 04 | http://www.tta.or.kr/data/ttasDown.jsp?where=14688&pk_num=TTAT.3G-23.041(R5-5.2.0) |
| Release 6 | | | | | |
| ARIB | ARIB STD-T63-23.041 | 6.2.0 | Approved | Jul 13 | http://www.arib.or.jp/english/html/overview/doc/STD-T63v10_00/2_T63/ARIB-STD-T63/Rel6/23/A23041-620.pdf |
| ATIS | T1.3GPP.23.041V620-2004 | 6.2.0 | Approved | May 04 | https://www.atis.org/docstore/default.aspx |
| CCSA | CCSA-TSD-DS-23.041 | 6.2.0 | Published | May 05 | http://www.ccsa.org.cn/english/tc/files.php?docpath=/ITU-R/M.1457/M.1457-12/DS |
| ETSI | ETSI TS 123 041 | 6.2.0 | Published | May 05 | http://www.etsi.org/deliver/etsi_ts/123000_123099/123041/06.02.00_60/ |
| TTA | TTAT.3G-23.041(R6-6.2.0) | 6.2.0 | Approved | May 04 | http://www.tta.or.kr/data/ttasDown.jsp?where=14688&pk_num=TTAT.3G-23.041(R6-6.2.0) |
| Release 7 | | | | | |
| ARIB | ARIB STD-T63-23.041 | 7.0.0 | Approved | Jul 13 | http://www.arib.or.jp/english/html/overview/doc/STD-T63v10_00/2_T63/ARIB-STD-T63/Rel7/23/A23041-700.pdf |
| ATIS | ATIS.3GPP.23.041V700-2007 | 7.0.0 | Approved | Oct 07 | https://www.atis.org/docstore/default.aspx |
| CCSA | CCSA-TSD-DS-23.041 | 7.0.0 | Published | Apr 07 | http://www.ccsa.org.cn/english/tc/files.php?docpath=/ITU-R/M.1457/M.1457-12/DS |
| ETSI | ETSI TS 123 041 | 7.0.0 | Published | Apr 07 | http://www.etsi.org/deliver/etsi_ts/123000_123099/123041/07.00.00_60/ |
| TTA | TTAT.3G-23.041(R7-7.0.0) | 7.0.0 | Approved | Dec 07 | http://www.tta.or.kr/data/ttasDown.jsp?where=14688&pk_num=TTAT.3G-23.041(R7-7.0.0) |
| Release 8 | | | | | |
| ARIB | ARIB STD-T63-23.041 | 8.11.0 | Approved | Jul 13 | http://www.arib.or.jp/english/html/overview/doc/STD-T63v10_00/2_T63/ARIB-STD-T63/Rel8/23/A23041-8b0.pdf |
| ATIS | ATIS.3GPP.23.041V8110-2014 | 8.11.0 | Approved | May 14 | https://www.atis.org/docstore/default.aspx |
| CCSA | CCSA-TSD-DS-23.041 | 8.7.0 | Published | Jun 12 | http://www.ccsa.org.cn/english/tc/files.php?docpath=/ITU-R/M.1457/M.1457-12/DS |
| ETSI | ETSI TS 123 041 | 8.11.0 | Published | Jan 13 | http://www.etsi.org/deliver/etsi_ts/123000_123099/123041/08.11.00_60/ |
| TTA | TTAT.3G-23.041(R8-8.2.0) | 8.2.0 | Approved | Jul 09 | http://www.tta.or.kr/data/ttasDown.jsp?where=14688&pk_num=TTAT.3G-23.041(R8-8.2.0) |
| Release 9 | | | | | |
| ARIB | ARIB STD-T63-23.041 | 9.11.0 | Approved | Jul 13 | http://www.arib.or.jp/english/html/overview/doc/STD-T63v10_00/2_T63/ARIB-STD-T63/Rel9/23/A23041-9b0.pdf |
| ATIS | ATIS.3GPP.23.041V9110-2014 | 9.11.0 | Approved | May 14 | https://www.atis.org/docstore/default.aspx |
| CCSA | CCSA-TSD-DS-23.041 | 9.7.0 | Published | Jun 12 | http://www.ccsa.org.cn/english/tc/files.php?docpath=/ITU-R/M.1457/M.1457-12/DS |
| ETSI | ETSI TS 123 041 | 9.11.0 | Published | Jan 13 | http://www.etsi.org/deliver/etsi_ts/123000_123099/123041/09.11.00_60/ |
| TTA | TTAT.3G-23.041(R9-9.3.0) | 9.3.0 | Approved | Jul 10 | http://www.tta.or.kr/data/ttasDown.jsp?where=14688&pk_num=TTAT.3G-23.041(R9-9.3.0) |

Release 10

| | | | | | |
|------|----------------------------|--------|-----------|--------|---|
| ARIB | ARIB STD-T63-23.041 | 10.6.0 | Approved | Jul 13 | http://www.arib.or.jp/english/html/overview/doc/STD-T63v10_00/2_T63/ARIB-STD-T63/Rel10/23/A23041-a60.pdf |
| ATIS | ATIS.3GPP.23.041V1060-2014 | 10.6.0 | Approved | May 14 | https://www.atis.org/docstore/default.aspx |
| CCSA | CCSA-TSD-DS-23.041 | 10.2.0 | Published | Jun 12 | http://www.ccsa.org.cn/english/tc/files.php?docpath=/ITU-R/M.1457/M.1457-12/DS |
| ETSI | ETSI TS 123 041 | 10.6.0 | Published | Jan 13 | http://www.etsi.org/deliver/etsi_ts/123000_123099/123041/10.06.00_60/ |
| TTA | TTAT.3G-23.041(R10-10.3.0) | 10.3.0 | Approved | Aug 12 | http://www.tta.or.kr/data/ttasDown.jsp?where=14688&pk_num=TTAT.3G-23.041(R10-10.3.0) |

Release 11

| | | | | | |
|------|----------------------------|--------|-----------|--------|---|
| ARIB | ARIB STD-T63-23.041 | 11.6.0 | Approved | Jul 13 | http://www.arib.or.jp/english/html/overview/doc/STD-T63v10_00/2_T63/ARIB-STD-T63/Rel11/23/A23041-b60.pdf |
| ATIS | ATIS.3GPP.23.041V1160-2014 | 11.6.0 | Approved | May 14 | https://www.atis.org/docstore/default.aspx |
| CCSA | CCSA-TSD-DS-23.041 | 11.6.0 | Published | Jun 14 | http://www.ccsa.org.cn/english/tc/files.php?docpath=/ITU-R/M.1457/M.1457-12/DS |
| ETSI | ETSI TS 123 041 | 11.6.0 | Published | Apr 13 | http://www.etsi.org/deliver/etsi_ts/123000_123099/123041/11.06.00_60/ |
| TTA | TTAT.3G-23.041(R11-11.6.0) | 11.6.0 | published | Aug 13 | http://www.tta.or.kr/data/ttasDown.jsp?where=14688&pk_num=TTAT.3G-23.041(R11-11.6.0) |

5.1.2.12.12 TS 23.042**Compression algorithm for text messaging services**

This document introduces the concepts and mechanisms involved in the compression and decompression of a stream of data.

| SDO (2) | Document No. | Version | Status | Issued date | Location (1) |
|-------------------|---------------------------|---------|-----------|-------------|---|
| Release 99 | | | | | |
| ARIB | ARIB STD-T63-23.042 | 3.1.0 | Approved | Jul 13 | http://www.arib.or.jp/english/html/overview/doc/STD-T63v10_00/2_T63/ARIB-STD-T63/R99/23/A23042-310.pdf |
| ATIS | T1.3GPP.23.042V310-2002 | 3.1.0 | Approved | May 02 | https://www.atis.org/docstore/default.aspx |
| CCSA | CCSA-TSD-DS-23.042 | 3.1.0 | Published | Feb 00 | http://www.ccsa.org.cn/english/tc/files.php?docpath=/ITU-R/M.1457/M.1457-12/DS |
| ETSI | ETSI TS 123 042 | 3.1.0 | Published | Feb 00 | http://www.etsi.org/deliver/etsi_ts/123000_123099/123042/03.01.00_60/ |
| TTA | TTAE.3G-23.042(F) | 3.1.0 | Approved | Mar 00 | http://www.tta.or.kr/data/ttasDown.jsp?where=14688&pk_num=TTAE.3G-23.042(F) |
| Release 4 | | | | | |
| ARIB | ARIB STD-T63-23.042 | 4.0.1 | Approved | Jul 13 | http://www.arib.or.jp/english/html/overview/doc/STD-T63v10_40/2_T63/ARIB-STD-T63/Rel4/23/A23042-401.pdf |
| ATIS | T1.3GPP.23.042V401-2002 | 4.0.1 | Approved | May 02 | https://www.atis.org/docstore/default.aspx |
| CCSA | CCSA-TSD-DS-23.042 | 4.0.1 | Published | Oct 01 | http://www.ccsa.org.cn/english/tc/files.php?docpath=/ITU-R/M.1457/M.1457-12/DS |
| ETSI | ETSI TS 123 042 | 4.0.1 | Published | Oct 01 | http://www.etsi.org/deliver/etsi_ts/123000_123099/123042/04.00.01_60/ |
| TTA | TTAE.3G-23.042(R4-4.0.1) | 4.0.1 | Approved | May 02 | http://www.tta.or.kr/data/ttasDown.jsp?where=14688&pk_num=TTAE.3G-23.042(R4-4.0.1) |
| Release 5 | | | | | |
| ARIB | ARIB STD-T63-23.042 | 5.0.0 | Approved | Jul 13 | http://www.arib.or.jp/english/html/overview/doc/STD-T63v10_00/2_T63/ARIB-STD-T63/Rel5/23/A23042-500.pdf |
| ATIS | T1.3GPP.23.042V500-2003 | 5.0.0 | Approved | Mar 03 | https://www.atis.org/docstore/default.aspx |
| CCSA | CCSA-TSD-DS-23.042 | 5.0.0 | Published | Jul 02 | http://www.ccsa.org.cn/english/tc/files.php?docpath=/ITU-R/M.1457/M.1457-12/DS |
| ETSI | ETSI TS 123 042 | 5.0.0 | Published | Jul 02 | http://www.etsi.org/deliver/etsi_ts/123000_123099/123042/05.00.00_60/ |
| TTA | TTAT.3G-23.042(R5-5.0.0) | 5.0.0 | Approved | Mar 03 | http://www.tta.or.kr/data/ttasDown.jsp?where=14688&pk_num=TTAT.3G-23.042(R5-5.0.0) |
| Release 6 | | | | | |
| ARIB | ARIB STD-T63-23.042 | 6.0.0 | Approved | Jul 13 | http://www.arib.or.jp/english/html/overview/doc/STD-T63v10_00/2_T63/ARIB-STD-T63/Rel6/23/A23042-600.pdf |
| ATIS | ATIS.3GPP.23.042V600-2005 | 6.0.0 | Approved | Apr 05 | https://www.atis.org/docstore/default.aspx |
| CCSA | CCSA-TSD-DS-23.042 | 6.0.0 | Published | Jan 05 | http://www.ccsa.org.cn/english/tc/files.php?docpath=/ITU-R/M.1457/M.1457-12/DS |
| ETSI | ETSI TS 123 042 | 6.0.0 | Published | Jan 05 | http://www.etsi.org/deliver/etsi_ts/123000_123099/123042/06.00.00_60/ |
| TTA | TTAT.3G-23.042(R6-6.0.0) | 6.0.0 | Approved | May 05 | http://www.tta.or.kr/data/ttasDown.jsp?where=14688&pk_num=TTAT.3G-23.042(R6-6.0.0) |

Release 7

| | | | | | |
|------|---------------------------|-------|-----------|--------|---|
| ARIB | ARIB STD-T63-23.042 | 7.0.0 | Approved | Jul 13 | http://www.arib.or.jp/english/html/overview/doc/STD-T63v10_00/2_T63/ARIB-STD-T63/Rel7/23/A23042-700.pdf |
| ATIS | ATIS.3GPP.23.042V700-2007 | 7.0.0 | Approved | Oct 07 | https://www.atis.org/docstore/default.aspx |
| CCSA | CCSA-TSD-DS-23.042 | 7.0.0 | Published | Jul 07 | http://www.ccsa.org.cn/english/tc/files.php?docpath=/ITU-R/M.1457/M.1457-12/DS |
| ETSI | ETSI TS 123 042 | 7.0.0 | Published | Jul 07 | http://www.etsi.org/deliver/etsi_ts/123000_123099/123042/07.00.00_60/ |
| TTA | TTAT.3G-23.042(R7-7.0.0) | 7.0.0 | Approved | Dec 07 | http://www.tta.or.kr/data/ttasDown.jsp?where=14688&pk_num=TTAT.3G-23.042(R7-7.0.0) |

Release 8

| | | | | | |
|------|---------------------------|-------|-----------|--------|---|
| ARIB | ARIB STD-T63-23.042 | 8.0.0 | Approved | Jul 13 | http://www.arib.or.jp/english/html/overview/doc/STD-T63v10_00/2_T63/ARIB-STD-T63/Rel8/23/A23042-800.pdf |
| ATIS | ATIS.3GPP.23.042V800-2009 | 8.0.0 | Approved | Jul 09 | https://www.atis.org/docstore/default.aspx |
| CCSA | CCSA-TSD-DS-23.042 | 8.0.0 | Published | Jan 09 | http://www.ccsa.org.cn/english/tc/files.php?docpath=/ITU-R/M.1457/M.1457-12/DS |
| ETSI | ETSI TS 123 042 | 8.0.0 | Published | Jan 09 | http://www.etsi.org/deliver/etsi_ts/123000_123099/123042/08.00.00_60/ |
| TTA | TTAT.3G-23.042(R8-8.0.0) | 8.0.0 | Approved | Jul 09 | http://www.tta.or.kr/data/ttasDown.jsp?where=14688&pk_num=TTAT.3G-23.042(R8-8.0.0) |

Release 9

| | | | | | |
|------|---------------------------|-------|-----------|--------|---|
| ARIB | ARIB STD-T63-23.042 | 9.0.0 | Approved | Jul 13 | http://www.arib.or.jp/english/html/overview/doc/STD-T63v10_00/2_T63/ARIB-STD-T63/Rel9/23/A23042-900.pdf |
| ATIS | ATIS.3GPP.23.042V900-2010 | 9.0.0 | Approved | Jul 10 | https://www.atis.org/docstore/default.aspx |
| CCSA | CCSA-TSD-DS-23.042 | 9.0.0 | Published | Mar 10 | http://www.ccsa.org.cn/english/tc/files.php?docpath=/ITU-R/M.1457/M.1457-12/DS |
| ETSI | ETSI TS 123 042 | 9.0.0 | Published | Jan 10 | http://www.etsi.org/deliver/etsi_ts/123000_123099/123042/09.00.00_60/ |
| TTA | TTAT.3G-23.042(R9-9.0.0) | 9.0.0 | Approved | Jul 10 | http://www.tta.or.kr/data/ttasDown.jsp?where=14688&pk_num=TTAT.3G-23.042(R9-9.0.0) |

Release 10

| | | | | | |
|------|----------------------------|--------|-----------|--------|---|
| ARIB | ARIB STD-T63-23.042 | 10.0.0 | Approved | Jul 13 | http://www.arib.or.jp/english/html/overview/doc/STD-T63v10_00/2_T63/ARIB-STD-T63/Rel10/23/A23042-a00.pdf |
| ATIS | ATIS.3GPP.23.042V1000-2012 | 10.0.0 | Approved | Jul 12 | https://www.atis.org/docstore/default.aspx |
| CCSA | CCSA-TSD-DS-23.042 | 10.0.0 | Published | Jun 12 | http://www.ccsa.org.cn/english/tc/files.php?docpath=/ITU-R/M.1457/M.1457-12/DS |
| ETSI | ETSI TS 123 042 | 10.0.0 | Published | Mar 11 | http://www.etsi.org/deliver/etsi_ts/123000_123099/123042/10.00.00_60/ |
| TTA | TTAT.3G-23.042(R10-10.0.0) | 10.0.0 | Approved | Apr 12 | http://www.tta.or.kr/data/ttasDown.jsp?where=14688&pk_num=TTAT.3G-23.042(R10-10.0.0) |

Release 11

| | | | | | |
|------|----------------------------|--------|-----------|--------|---|
| ARIB | ARIB STD-T63-23.042 | 11.0.0 | Approved | Jul 13 | http://www.arib.or.jp/english/html/overview/doc/STD-T63v10_00/2_T63/ARIB-STD-T63/Rel11/23/A23042-b00.pdf |
| ATIS | ATIS.3GPP.23.042V1100-2014 | 11.0.0 | Approved | May 14 | https://www.atis.org/docstore/default.aspx |
| CCSA | CCSA-TSD-DS-23.042 | 11.0.0 | Published | Jun 14 | http://www.ccsa.org.cn/english/tc/files.php?docpath=/ITU-R/M.1457/M.1457-12/DS |
| ETSI | ETSI TS 123 042 | 11.0.0 | Published | Oct 12 | http://www.etsi.org/deliver/etsi_ts/123000_123099/123042/11.00.00_60/ |
| TTA | TTAT.3G-23.042(R11-11.0.0) | 11.0.0 | published | Aug 13 | http://www.tta.or.kr/data/ttasDown.jsp?where=14688&pk_num=TTAT.3G-23.042(R11-11.0.0) |

5.1.2.12.13 TS 23.057**Mobile Execution Environment (MExE); Functional description; Stage 2**

This document defines stage 2 and stage 3 of the Mobile Execution Environment (MExE). Stage 2 identifies the functional capabilities and information flows needed to support the service described in stage 1. MExE uses a number of technologies to realize the requirements of the stage 1 description (3GPP TS 22.057). The document describes how the service requirements are realized with the selected technologies. The specification covers areas of MExE common to all technologies.

| SDO (2) | Document No. | Version | Status | Issued date | Location (1) |
|---------|--------------|---------|--------|-------------|--------------|
|---------|--------------|---------|--------|-------------|--------------|

Release 99

| | | | | | |
|------|---------------------|-------|----------|--------|---|
| ARIB | ARIB STD-T63-23.057 | 3.4.0 | Approved | Jul 13 | http://www.arib.or.jp/english/html/overview/doc/STD-T63v10_00/2_T63/ARIB-STD-T63/R99/23/A23057-340.pdf |
|------|---------------------|-------|----------|--------|---|

| | | | | | |
|-------------------|----------------------------|--------|-----------|--------|---|
| ATIS | T1.3GPP.23.057V340-2002 | 3.4.0 | Approved | May 02 | https://www.atis.org/docstore/default.aspx |
| CCSA | CCSA-TSD-DS-23.057 | 3.4.0 | Published | Apr 01 | http://www.ccsa.org.cn/english/tc/files.php?docpath=/ITU-R/M.1457/M.1457-12/DS |
| ETSI | ETSI TS 123 057 | 3.4.0 | Published | Apr 01 | http://www.etsi.org/deliver/etsi_ts/123000_123099/123057/03.04.00_60/ |
| TTA | TTAE.3G-23.057(R99) | 3.4.0 | Approved | Dec 01 | http://www.tta.or.kr/data/ttasDown.jsp?where=14688&pk_num=TTAE.3G-23.057(R99) |
| Release 4 | | | | | |
| ARIB | ARIB STD-T63-23.057 | 4.5.0 | Approved | Jul 13 | http://www.arib.or.jp/english/html/overview/doc/STD-T63v10_00/2_T63/ARIB-STD-T63/Rel4/23/A23057-450.pdf |
| ATIS | T1.3GPP.23.057V450-2002 | 4.5.0 | Approved | May 02 | https://www.atis.org/docstore/default.aspx |
| CCSA | CCSA-TSD-DS-23.057 | 4.5.0 | Published | Apr 02 | http://www.ccsa.org.cn/english/tc/files.php?docpath=/ITU-R/M.1457/M.1457-12/DS |
| ETSI | ETSI TS 123 057 | 4.5.0 | Published | Apr 02 | http://www.etsi.org/deliver/etsi_ts/123000_123099/123057/04.05.00_60/ |
| TTA | TTAE.3G-23.057(R4-4.5.0) | 4.5.0 | Approved | May 02 | http://www.tta.or.kr/data/ttasDown.jsp?where=14688&pk_num=TTAE.3G-23.057(R4-4.5.0) |
| Release 5 | | | | | |
| ARIB | ARIB STD-T63-23.057 | 5.1.0 | Approved | Jul 13 | http://www.arib.or.jp/english/html/overview/doc/STD-T63v10_00/2_T63/ARIB-STD-T63/Rel5/23/A23057-510.pdf |
| ATIS | T1.3GPP.23.057V510-2003 | 5.1.0 | Approved | Mar 03 | https://www.atis.org/docstore/default.aspx |
| CCSA | CCSA-TSD-DS-23.057 | 5.1.0 | Published | Oct 02 | http://www.ccsa.org.cn/english/tc/files.php?docpath=/ITU-R/M.1457/M.1457-12/DS |
| ETSI | ETSI TS 123 057 | 5.1.0 | Published | Oct 02 | http://www.etsi.org/deliver/etsi_ts/123000_123099/123057/05.01.00_60/ |
| TTA | TTAT.3G-23.057(R5-5.1.0) | 5.1.0 | Approved | Mar 03 | http://www.tta.or.kr/data/ttasDown.jsp?where=14688&pk_num=TTAT.3G-23.057(R5-5.1.0) |
| Release 6 | | | | | |
| ARIB | ARIB STD-T63-23.057 | 6.2.0 | Approved | Jul 13 | http://www.arib.or.jp/english/html/overview/doc/STD-T63v10_00/2_T63/ARIB-STD-T63/Rel6/23/A23057-620.pdf |
| ATIS | T1.3GPP.23.057V620-2004 | 6.2.0 | Approved | May 04 | https://www.atis.org/docstore/default.aspx |
| CCSA | CCSA-TSD-DS-23.057 | 6.2.0 | Published | May 05 | http://www.ccsa.org.cn/english/tc/files.php?docpath=/ITU-R/M.1457/M.1457-12/DS |
| ETSI | ETSI TS 123 057 | 6.2.0 | Published | May 05 | http://www.etsi.org/deliver/etsi_ts/123000_123099/123057/06.02.00_60/ |
| TTA | TTAT.3G-23.057(R6-6.2.0) | 6.2.0 | Approved | May 04 | http://www.tta.or.kr/data/ttasDown.jsp?where=14688&pk_num=TTAT.3G-23.057(R6-6.2.0) |
| Release 7 | | | | | |
| ARIB | ARIB STD-T63-23.057 | 7.0.0 | Approved | Jul 13 | http://www.arib.or.jp/english/html/overview/doc/STD-T63v10_00/2_T63/ARIB-STD-T63/Rel7/23/A23057-700.pdf |
| ATIS | ATIS.3GPP.23.057V700-2007 | 7.0.0 | Approved | Oct 07 | https://www.atis.org/docstore/default.aspx |
| CCSA | CCSA-TSD-DS-23.057 | 7.0.0 | Published | Jun 07 | http://www.ccsa.org.cn/english/tc/files.php?docpath=/ITU-R/M.1457/M.1457-12/DS |
| ETSI | ETSI TS 123 057 | 7.0.0 | Published | Jun 07 | http://www.etsi.org/deliver/etsi_ts/123000_123099/123057/07.00.00_60/ |
| TTA | TTAT.3G-23.057(R7-7.0.0) | 7.0.0 | Approved | Dec 07 | http://www.tta.or.kr/data/ttasDown.jsp?where=14688&pk_num=TTAT.3G-23.057(R7-7.0.0) |
| Release 8 | | | | | |
| ARIB | ARIB STD-T63-23.057 | 8.0.0 | Approved | Jul 13 | http://www.arib.or.jp/english/html/overview/doc/STD-T63v10_00/2_T63/ARIB-STD-T63/Rel8/23/A23057-800.pdf |
| ATIS | ATIS.3GPP.23.057V800-2009 | 8.0.0 | Approved | Jul 09 | https://www.atis.org/docstore/default.aspx |
| CCSA | CCSA-TSD-DS-23.057 | 8.0.0 | Published | Jan 09 | http://www.ccsa.org.cn/english/tc/files.php?docpath=/ITU-R/M.1457/M.1457-12/DS |
| ETSI | ETSI TS 123 057 | 8.0.0 | Published | Jan 09 | http://www.etsi.org/deliver/etsi_ts/123000_123099/123057/08.00.00_60/ |
| TTA | TTAT.3G-23.057(R8-8.0.0) | 8.0.0 | Approved | Jul 09 | http://www.tta.or.kr/data/ttasDown.jsp?where=14688&pk_num=TTAT.3G-23.057(R8-8.0.0) |
| Release 9 | | | | | |
| ARIB | ARIB STD-T63-23.057 | 9.0.0 | Approved | Jul 13 | http://www.arib.or.jp/english/html/overview/doc/STD-T63v10_00/2_T63/ARIB-STD-T63/Rel9/23/A23057-900.pdf |
| ATIS | ATIS.3GPP.23.057V900-2010 | 9.0.0 | Approved | Jul 10 | https://www.atis.org/docstore/default.aspx |
| CCSA | CCSA-TSD-DS-23.057 | 9.0.0 | Published | Mar 10 | http://www.ccsa.org.cn/english/tc/files.php?docpath=/ITU-R/M.1457/M.1457-12/DS |
| ETSI | ETSI TS 123 057 | 9.0.0 | Published | Jan 10 | http://www.etsi.org/deliver/etsi_ts/123000_123099/123057/09.00.00_60/ |
| TTA | TTAT.3G-23.057(R9-9.0.0) | 9.0.0 | Approved | Jul 10 | http://www.tta.or.kr/data/ttasDown.jsp?where=14688&pk_num=TTAT.3G-23.057(R9-9.0.0) |
| Release 10 | | | | | |
| ARIB | ARIB STD-T63-23.057 | 10.0.0 | Approved | Jul 13 | http://www.arib.or.jp/english/html/overview/doc/STD-T63v10_00/2_T63/ARIB-STD-T63/Rel10/23/A23057-a00.pdf |
| ATIS | ATIS.3GPP.23.057V1000-2012 | 10.0.0 | Approved | Jul 12 | https://www.atis.org/docstore/default.aspx |
| CCSA | CCSA-TSD-DS-23.057 | 10.0.0 | Published | Jun 12 | http://www.ccsa.org.cn/english/tc/files.php?docpath=/ITU-R/M.1457/M.1457-12/DS |
| ETSI | ETSI TS 123 057 | 10.0.0 | Published | Mar 11 | http://www.etsi.org/deliver/etsi_ts/123000_123099/123057/10.00.00_60/ |

| | | | | | |
|-------------------|----------------------------|--------|-----------|--------|---|
| TTA | TTAT.3G-23.057(R10-10.0.0) | 10.0.0 | Approved | Apr 12 | http://www.tta.or.kr/data/ttasDown.jsp?where=14688&pk_num=TTAT.3G-23.057(R10-10.0.0) |
| Release 11 | | | | | |
| ARIB | ARIB STD-T63-23.057 | 11.0.0 | Approved | Jul 13 | http://www.arib.or.jp/english/html/overview/doc/STD-T63v10_00/2_T63/ARIB-STD-T63/Rel11/23/A23057-b00.pdf |
| ATIS | ATIS.3GPP.23.057V1100-2014 | 11.0.0 | Approved | May 14 | https://www.atis.org/docstore/default.aspx |
| CCSA | CCSA-TSD-DS-23.057 | 11.0.0 | Published | Apr 01 | http://www.ccsa.org.cn/english/tc/files.php?docpath=/ITU-R/M.1457/M.1457-12/DS |
| ETSI | ETSI TS 123 057 | 11.0.0 | Published | Sep 12 | http://www.etsi.org/deliver/etsi_ts/123000_123099/123057/11.00.00_60/ |
| TTA | TTAT.3G-23.057(R11-11.0.0) | 11.0.0 | published | Aug 13 | http://www.tta.or.kr/data/ttasDown.jsp?where=14688&pk_num=TTAT.3G-23.057(R11-11.0.0) |

5.1.2.12.14 TS 23.060

General Packet Radio Service (GPRS); Service description; Stage 2

This specification describes a general overview over the GPRS architecture as well as a more detailed overview of the MS – CN protocol architecture. Details of the protocols will be specified in companion documents.

| SDO (2) | Document No. | Version | Status | Issued date | Location (1) |
|-------------------|----------------------------|---------|-----------|-------------|---|
| Release 99 | | | | | |
| ATIS | T1.3GPP.23.060V3170-2007 | 3.17.0 | Approved | Oct 07 | https://www.atis.org/docstore/default.aspx |
| CCSA | CCSA-TSD-DS-23.060 | 3.17.0 | Published | Dec 06 | http://www.ccsa.org.cn/english/tc/files.php?docpath=/ITU-R/M.1457/M.1457-12/DS |
| ETSI | ETSI TS 123 060 | 3.17.0 | Published | Dec 06 | http://www.etsi.org/deliver/etsi_ts/123000_123099/123060/03.17.00_60/ |
| TTA | TTAT.3G-23.060(R99-3.17.0) | 3.17.0 | Approved | Dec 07 | http://www.tta.or.kr/data/ttasDown.jsp?where=14688&pk_num=TTAT.3G-23.060(R99-3.17.0) |
| TTC | TS-3GA-23.060(R99)v3.17.0 | 3.17.0 | Approved | Mar 07 | http://www.ttc.or.jp/j/document_list/free/TS/TS-3GA-23.060(R99)v3.17.0.pdf |
| Release 4 | | | | | |
| ATIS | ATIS.3GPP.23.060V4110-2007 | 4.11.0 | Approved | Oct 07 | https://www.atis.org/docstore/default.aspx |
| CCSA | CCSA-TSD-DS-23.060 | 4.11.0 | Published | Dec 06 | http://www.ccsa.org.cn/english/tc/files.php?docpath=/ITU-R/M.1457/M.1457-12/DS |
| ETSI | ETSI TS 123 060 | 4.11.0 | Published | Dec 06 | http://www.etsi.org/deliver/etsi_ts/123000_123099/123060/04.11.00_60/ |
| TTA | TTAT.3G-23.060(R4-4.11.0) | 4.11.0 | Approved | Dec 07 | http://www.tta.or.kr/data/ttasDown.jsp?where=14688&pk_num=TTAT.3G-23.060(R4-4.11.0) |
| TTC | TS-3GA-23.060(Rel4)v4.11.0 | 4.11.0 | Approved | Mar 08 | http://www.ttc.or.jp/j/document_list/free/TS/TS-3GA-23.060(Rel4)v4.11.0.pdf |
| Release 5 | | | | | |
| ATIS | ATIS.3GPP.23.060V5130-2007 | 5.13.0 | Approved | Oct 07 | https://www.atis.org/docstore/default.aspx |
| CCSA | CCSA-TSD-DS-23.060 | 5.13.0 | Published | Dec 06 | http://www.ccsa.org.cn/english/tc/files.php?docpath=/ITU-R/M.1457/M.1457-12/DS |
| ETSI | ETSI TS 123 060 | 5.13.0 | Published | Dec 06 | http://www.etsi.org/deliver/etsi_ts/123000_123099/123060/05.13.00_60/ |
| TTA | TTAT.3G-23.060(R5-5.13.0) | 5.13.0 | Approved | Dec 07 | http://www.tta.or.kr/data/ttasDown.jsp?where=14688&pk_num=TTAT.3G-23.060(R5-5.13.0) |
| TTC | TS-3GA-23.060(Rel5)v5.13.0 | 5.13.0 | Approved | Mar 07 | http://www.ttc.or.jp/j/document_list/free/TS/TS-3GA-23.060(Rel5)v5.13.0.pdf |
| Release 6 | | | | | |
| ATIS | ATIS.3GPP.23.060V6150-2007 | 6.15.0 | Approved | Oct 07 | https://www.atis.org/docstore/default.aspx |
| CCSA | CCSA-TSD-DS-23.060 | 6.15.0 | Published | Dec 06 | http://www.ccsa.org.cn/english/tc/files.php?docpath=/ITU-R/M.1457/M.1457-12/DS |
| ETSI | ETSI TS 123 060 | 6.15.0 | Published | Dec 06 | http://www.etsi.org/deliver/etsi_ts/123000_123099/123060/06.15.00_60/ |
| TTA | TTAT.3G-23.060(R6-6.15.0) | 6.15.0 | Approved | Dec 07 | http://www.tta.or.kr/data/ttasDown.jsp?where=14688&pk_num=TTAT.3G-23.060(R6-6.15.0) |
| TTC | TS-3GA-23.060(Rel6)v6.15.0 | 6.15.0 | Approved | Mar 07 | http://www.ttc.or.jp/j/document_list/free/TS/TS-3GA-23.060(Rel6)v6.15.0.pdf |
| Release 7 | | | | | |
| ATIS | ATIS.3GPP.23.060V7110-2012 | 7.11.0 | Approved | Jul 12 | https://www.atis.org/docstore/default.aspx |
| CCSA | CCSA-TSD-DS-23.060 | 7.11.0 | Published | Jun 12 | http://www.ccsa.org.cn/english/tc/files.php?docpath=/ITU-R/M.1457/M.1457-12/DS |
| ETSI | ETSI TS 123 060 | 7.11.0 | Published | Jun 11 | http://www.etsi.org/deliver/etsi_ts/123000_123099/123060/07.11.00_60/ |

| | | | | | |
|-------------------|------------------------------|---------|-----------|--------|---|
| TTA | TTAT.3G-23.060(R7-7.8.0) | 7.8.0 | Approved | Jul 09 | http://www.tta.or.kr/data/ttasDown.jsp?where=14688&pk_num=TTAT.3G-23.060(R7-7.8.0) |
| TTC | TS-3GA-23.060(Rel7)v7.11.0 | 7.11.0 | Approved | Dec 10 | http://www.ttc.or.jp/j/document_list/free/3gpps2010/TS/TS-3GA-23.060(Rel7)v7.10.0.pdf |
| Release 8 | | | | | |
| ATIS | ATIS.3GPP.23.060V8170-2014 | 8.17.0 | Approved | May 14 | https://www.atis.org/docstore/default.aspx |
| CCSA | CCSA-TSD-DS-23.060 | 8.14.0 | Published | Jun 12 | http://www.ccsa.org.cn/english/tc/files.php?docpath=/ITU-R/M.1457/M.1457-12/DS |
| ETSI | ETSI TS 123 060 | 8.17.0 | Published | Apr 13 | http://www.etsi.org/deliver/etsi_ts/123000_123099/123060/08.17.00_60/ |
| TTA | TTAT.3G-23.060(R8-8.4.0) | 8.4.0 | Approved | Jul 09 | http://www.tta.or.kr/data/ttasDown.jsp?where=14688&pk_num=TTAT.3G-23.060(R8-8.4.0) |
| TTC | TS-3GA-23.060(Rel8)v8.17.0 | 8.17.0 | Approved | Jun 13 | http://www.ttc.or.jp/j/document_list/free/3gpps2013/TS/TS-3GA-23.060(Rel8)v8.17.0.pdf |
| Release 9 | | | | | |
| ATIS | ATIS.3GPP.23.060V9140-2014 | 9.14.0 | Approved | May 14 | https://www.atis.org/docstore/default.aspx |
| CCSA | CCSA-TSD-DS-23.060 | 9.11.0 | Published | Jun 12 | http://www.ccsa.org.cn/english/tc/files.php?docpath=/ITU-R/M.1457/M.1457-12/DS |
| ETSI | ETSI TS 123 060 | 9.14.0 | Published | Apr 13 | http://www.etsi.org/deliver/etsi_ts/123000_123099/123060/09.14.00_60/ |
| TTA | TTAT.3G-23.060(R9-9.4.0) | 9.4.0 | Approved | Jul 10 | http://www.tta.or.kr/data/ttasDown.jsp?where=14688&pk_num=TTAT.3G-23.060(R9-9.4.0) |
| TTC | TS-3GA-23.060(Rel9)v9.14.0 | 9.14.0 | Approved | Jun 13 | http://www.ttc.or.jp/j/document_list/free/3gpps2013/TS/TS-3GA-23.060(Rel9)v9.14.0.pdf |
| Release 10 | | | | | |
| ATIS | ATIS.3GPP.23.060V10110- | 10.11.0 | Approved | May 14 | https://www.atis.org/docstore/default.aspx |
| CCSA | CCSA-TSD-DS-23.060 | 10.6.0 | Published | Jun 12 | http://www.ccsa.org.cn/english/tc/files.php?docpath=/ITU-R/M.1457/M.1457-12/DS |
| ETSI | ETSI TS 123 060 | 10.11.0 | Published | Apr 13 | http://www.etsi.org/deliver/etsi_ts/123000_123099/123060/10.11.00_60/ |
| TTA | TTAT.3G-23.060(R10-10.7.0) | 10.7.0 | Approved | Aug 12 | http://www.tta.or.kr/data/ttasDown.jsp?where=14688&pk_num=TTAT.3G-23.060(R10-10.7.0) |
| TTC | TS-3GA-23.060(Rel10)v10.11.0 | 10.11.0 | Approved | Jun 13 | http://www.ttc.or.jp/jp/document_list/free/3gpps2013/TS/TS-3GA-23.060(Rel10)v10.11.0.pdf |
| Release 11 | | | | | |
| ATIS | ATIS.3GPP.23.060V1150-2014 | 11.5.0 | Approved | May 14 | https://www.atis.org/docstore/default.aspx |
| CCSA | CCSA-TSD-DS-23.060 | 11.10.0 | Published | Jun 14 | http://www.ccsa.org.cn/english/tc/files.php?docpath=/ITU-R/M.1457/M.1457-12/DS |
| ETSI | ETSI TS 123 060 | 11.5.0 | Published | Apr 13 | http://www.etsi.org/deliver/etsi_ts/123000_123099/123060/11.05.00_60/ |
| TTA | TTAT.3G-23.060(R11-11.5.0) | 11.5.0 | published | Aug 13 | http://www.tta.or.kr/data/ttasDown.jsp?where=14688&pk_num=TTAT.3G-23.060(R11-11.5.0) |
| TTC | TS-3GA-23.060(Rel11)v11.5.0 | 11.5.0 | Approved | Jun 13 | http://www.ttc.or.jp/jp/document_list/free/3gpps2013/TS/TS-3GA-23.060(Rel11)v11.5.0.pdf |

5.1.2.12.15 TS 23.066

Support of Mobile Number Portability (MNP); Technical realization; Stage 2

This document describes several alternatives for the realization of Mobile Number Portability. It is left to operator and implementation decisions which option, or combination of options, is used, taking into account the regulatory and architectural constraints that may prevail.

| SDO (2) | Document No. | Version | Status | Issued date | Location (1) |
|-------------------|---------------------------|---------|-----------|-------------|---|
| Release 99 | | | | | |
| CCSA | CCSA-TSD-DS-23.066 | 3.3.0 | Published | Jun 12 | http://www.ccsa.org.cn/english/tc/files.php?docpath=/ITU-R/M.1457/M.1457-12/DS |
| ETSI | ETSI TS 123 066 | 3.3.0 | Published | Aug 00 | http://www.etsi.org/deliver/etsi_ts/123000_123099/123066/03.03.00_60/ |
| TTC | JP-3GA-23.066(R99) | 3.3.0 | Approved | Nov 00 | http://www.ttc.or.jp/j/document_list/pdf/j/STD/JP-3GA-23.066(R99)v2.pdf |
| Release 4 | | | | | |
| CCSA | CCSA-TSD-DS-23.066 | 4.0.1 | Published | Jun 12 | http://www.ccsa.org.cn/english/tc/files.php?docpath=/ITU-R/M.1457/M.1457-12/DS |
| ETSI | ETSI TS 123 066 | 4.0.1 | Published | Jul 02 | http://www.etsi.org/deliver/etsi_ts/123000_123099/123066/04.00.01_60/ |
| TTC | TS-3GA-23.066(Rel4)v4.0.0 | 4.0.0 | Approved | May 01 | http://www.ttc.or.jp/j/document_list/free/TS/TS-3GA-23.066(Rel4)v4.0.0.pdf |
| Release 5 | | | | | |
| CCSA | CCSA-TSD-DS-23.066 | 5.3.0 | Published | Jun 12 | http://www.ccsa.org.cn/english/tc/files.php?docpath=/ITU-R/M.1457/M.1457-12/DS |

| | | | | | |
|-------------------|-----------------------------|--------|-----------|--------|---|
| ETSI | ETSI TS 123 066 | 5.3.0 | Published | Jan 04 | http://www.etsi.org/deliver/etsi_ts/123000_123099/123066/05.03.00_60/ |
| TTC | TS-3GA-23.066(Rel5)v5.3.0 | 5.3.0 | Approved | Feb 04 | http://www.ttc.or.jp/j/document_list/free/TS/TS-3GA-23.066(Rel5)v5.3.0.pdf |
| Release 6 | | | | | |
| CCSA | CCSA-TSD-DS-23.066 | 6.0.0 | Published | Jun 12 | http://www.ccsa.org.cn/english/tc/files.php?docpath=/ITU-R/M.1457/M.1457-12/DS |
| ETSI | ETSI TS 123 066 | 6.0.0 | Published | Jan 05 | http://www.etsi.org/deliver/etsi_ts/123000_123099/123066/06.00.00_60/ |
| TTC | TS-3GA-23.066(Rel6)v6.0.0 | 6.0.0 | Approved | Mar 05 | http://www.ttc.or.jp/j/document_list/free/TS/TS-3GA-23.066(Rel6)v6.0.0.pdf |
| Release 7 | | | | | |
| CCSA | CCSA-TSD-DS-23.066 | 7.0.0 | Published | Jun 12 | http://www.ccsa.org.cn/english/tc/files.php?docpath=/ITU-R/M.1457/M.1457-12/DS |
| ETSI | ETSI TS 123 066 | 7.0.0 | Published | Jul 07 | http://www.etsi.org/deliver/etsi_ts/123000_123099/123066/07.00.00_60/ |
| TTC | TS-3GA-23.066(Rel7)v7.0.0 | 7.0.0 | Approved | Mar 08 | http://www.ttc.or.jp/j/document_list/free/TS/TS-3GA-23.066(Rel7)v7.0.0.pdf |
| Release 8 | | | | | |
| CCSA | CCSA-TSD-DS-23.066 | 8.0.0 | Published | Jun 12 | http://www.ccsa.org.cn/english/tc/files.php?docpath=/ITU-R/M.1457/M.1457-12/DS |
| ETSI | ETSI TS 123 066 | 8.0.0 | Published | Jan 09 | http://www.etsi.org/deliver/etsi_ts/123000_123099/123066/08.00.00_60/ |
| TTC | TS-3GA-23.066(Rel8)v8.0.0 | 8.0.0 | Approved | Feb 09 | http://www.ttc.or.jp/j/document_list/free/3gpps2009/TS/TS-3GA-23.066(Rel8)v8.0.0.pdf |
| Release 9 | | | | | |
| CCSA | CCSA-TSD-DS-23.066 | 9.0.0 | Published | Jun 12 | http://www.ccsa.org.cn/english/tc/files.php?docpath=/ITU-R/M.1457/M.1457-12/DS |
| ETSI | ETSI TS 123 066 | 9.0.0 | Published | Feb 10 | http://www.etsi.org/deliver/etsi_ts/123000_123099/123066/09.00.00_60/ |
| TTC | TS-3GA-23.066(Rel9)v9.0.0 | 9.0.0 | Approved | Jul 10 | http://www.ttc.or.jp/j/document_list/free/3gpps2010/TS/TS-3GA-23.066(Rel9)v9.0.0.pdf |
| Release 10 | | | | | |
| ATIS | ATIS.3GPP.23.066V1000-2012 | 10.0.0 | Approved | Jul 12 | https://www.atis.org/docstore/default.aspx |
| CCSA | CCSA-TSD-DS-23.066 | 10.0.0 | Published | Jun 14 | http://www.ccsa.org.cn/english/tc/files.php?docpath=/ITU-R/M.1457/M.1457-12/DS |
| CCSA | CCSA-TSD-DS-23.066 | 10.0.0 | Published | Jun 12 | http://www.ccsa.org.cn/english/tc/files.php?docpath=/ITU-R/M.1457/M.1457-12/DS |
| ETSI | ETSI TS 123 066 | 10.0.0 | Published | May 11 | http://www.etsi.org/deliver/etsi_ts/123000_123099/123066/10.00.00_60/ |
| TTA | TTAT.3G-23.066(R10-10.0.0) | 10.0.0 | Approved | Apr 12 | http://www.tta.or.kr/data/ttasDown.jsp?where=14688&pk_num=TTAT.3G-23.066(R10-10.0.0) |
| TTC | TS-3GA-23.066(Rel10)v10.0.0 | 10.0.0 | Approved | Jun 11 | http://www.ttc.or.jp/j/document_list/free/3gpps2011/TS/TS-3GA-23.066(Rel10)v10.0.0.pdf |
| Release 11 | | | | | |
| ATIS | ATIS.3GPP.23.066V1100-2014 | 11.0.0 | Approved | Jul 12 | https://www.atis.org/docstore/default.aspx |
| ETSI | ETSI TS 123 066 | 11.0.0 | Published | Oct 12 | http://www.etsi.org/deliver/etsi_ts/123000_123099/123066/11.00.00_60/ |
| TTA | TTAT.3G-23.066(R11-11.0.0) | 11.0.0 | published | Aug 13 | http://www.tta.or.kr/data/ttasDown.jsp?where=14688&pk_num=TTAT.3G-23.066(R11-11.0.0) |
| TTC | TS-3GA-23.066(Rel11)v11.0.0 | 11.0.0 | Approved | Jun 13 | http://www.ttc.or.jp/j/document_list/free/3gpps2013/TS/TS-3GA-23.066(Rel11)v11.0.0.pdf |

5.1.2.12.16 TS 23.078

Customised Applications for Mobile network Enhanced Logic (CAMEL) Phase 4; Stage 2

This document specifies the stage 2 description for the fourth phase (see 3GPP TS 22.078) of the Customized Applications for Mobile network Enhanced Logic (CAMEL) feature which provides the mechanisms to support services of operators which are not covered by standardized services even when roaming outside the HPLMN.

| SDO (2) | Document No. | Version | Status | Issued date | Location (1) |
|-------------------|--------------------|---------|-----------|-------------|---|
| Release 99 | | | | | |
| CCSA | CCSA-TSD-DS-23.078 | 3.19.0 | Published | Jun 12 | http://www.ccsa.org.cn/english/tc/files.php?docpath=/ITU-R/M.1457/M.1457-12/DS |
| ETSI | ETSI TS 123 078 | 3.19.0 | Published | Apr 04 | http://www.etsi.org/deliver/etsi_ts/123000_123099/123078/03.19.00_60/ |

| | | | | | |
|-------------------|-----------------------------|--------|-----------|--------|---|
| TTC | TS-3GA-23.078(R99)v3.19.0 | 3.19.0 | Approved | May 04 | http://www.ttc.or.jp/j/document_list/free/TS/TS-3GA-23.078(R99)v3.19.0.pdf |
| Release 4 | | | | | |
| CCSA | CCSA-TSD-DS-23.078 | 4.11.1 | Published | Jun 12 | http://www.ccsa.org.cn/english/tc/files.php?docpath=/ITU-R/M.1457/M.1457-12/DS |
| ETSI | ETSI TS 123 078 | 4.11.1 | Published | May 04 | http://www.etsi.org/deliver/etsi_ts/123000_123099/123078/04.11.01_60/ |
| TTC | TS-3GA-23.078(Rel4)v4.11.1 | 4.11.1 | Approved | May 04 | http://www.ttc.or.jp/j/document_list/free/TS/TS-3GA-23.078(Rel4)v4.11.1.pdf |
| Release 5 | | | | | |
| CCSA | CCSA-TSD-DS-23.078 | 5.12.0 | Published | Jun 12 | http://www.ccsa.org.cn/english/tc/files.php?docpath=/ITU-R/M.1457/M.1457-12/DS |
| ETSI | ETSI TS 123 078 | 5.12.0 | Published | Oct 09 | http://www.etsi.org/deliver/etsi_ts/123000_123099/123078/05.12.00_60/ |
| TTC | TS-3GA-23.078(Rel5)v5.12.0 | 5.12.0 | Approved | Dec 09 | http://www.ttc.or.jp/j/document_list/free/3gpps2009/TS/TS-3GA-23.078(Rel5)v5.12.0.pdf |
| Release 6 | | | | | |
| CCSA | CCSA-TSD-DS-23.078 | 6.10.0 | Published | Jun 12 | http://www.ccsa.org.cn/english/tc/files.php?docpath=/ITU-R/M.1457/M.1457-12/DS |
| ETSI | ETSI TS 123 078 | 6.10.0 | Published | Oct 09 | http://www.etsi.org/deliver/etsi_ts/123000_123099/123078/06.10.00_60/ |
| TTC | TS-3GA-23.078(Rel6)v6.10.0 | 6.10.0 | Approved | Dec 09 | http://www.ttc.or.jp/j/document_list/free/3gpps2009/TS/TS-3GA-23.078(Rel6)v6.10.0.pdf |
| Release 7 | | | | | |
| CCSA | CCSA-TSD-DS-23.078 | 7.10.0 | Published | Jun 12 | http://www.ccsa.org.cn/english/tc/files.php?docpath=/ITU-R/M.1457/M.1457-12/DS |
| ETSI | ETSI TS 123 078 | 7.10.0 | Published | Oct 09 | http://www.etsi.org/deliver/etsi_ts/123000_123099/123078/07.10.00_60/ |
| TTC | TS-3GA-23.078(Rel7)v7.10.0 | 7.10.0 | Approved | Dec 09 | http://www.ttc.or.jp/j/document_list/free/3gpps2009/TS/TS-3GA-23.078(Rel7)v7.10.0.pdf |
| Release 8 | | | | | |
| CCSA | CCSA-TSD-DS-23.078 | 8.4.0 | Published | Jun 12 | http://www.ccsa.org.cn/english/tc/files.php?docpath=/ITU-R/M.1457/M.1457-12/DS |
| ETSI | ETSI TS 123 078 | 8.4.0 | Published | Jan 12 | http://www.etsi.org/deliver/etsi_ts/123000_123099/123078/08.04.00_60/ |
| TTC | TS-3GA-23.078(Rel8)v8.4.0 | 8.4.0 | Approved | Feb 12 | http://www.ttc.or.jp/j/document_list/free/3gpps2012/TS/TS-3GA-23.078(Rel8)v8.4.0.pdf |
| Release 9 | | | | | |
| CCSA | CCSA-TSD-DS-23.078 | 9.3.0 | Published | Jun 12 | http://www.ccsa.org.cn/english/tc/files.php?docpath=/ITU-R/M.1457/M.1457-12/DS |
| ETSI | ETSI TS 123 078 | 9.3.0 | Published | Jan 12 | http://www.etsi.org/deliver/etsi_ts/123000_123099/123078/09.03.00_60/ |
| TTC | TS-3GA-23.078(Rel9)v9.3.0 | 9.3.0 | Approved | Feb 12 | http://www.ttc.or.jp/j/document_list/free/3gpps2012/TS/TS-3GA-23.078(Rel9)v9.3.0.pdf |
| Release 10 | | | | | |
| ATIS | ATIS.3GPP.23.078V1010-2014 | 10.1.0 | Approved | May 14 | https://www.atis.org/docstore/default.aspx |
| CCSA | CCSA-TSD-DS-23.078 | 10.1.0 | Published | Jun 12 | http://www.ccsa.org.cn/english/tc/files.php?docpath=/ITU-R/M.1457/M.1457-12/DS |
| ETSI | ETSI TS 123 078 | 10.1.0 | Published | Jan 12 | http://www.etsi.org/deliver/etsi_ts/123000_123099/123078/10.01.00_60/ |
| TTA | TTAT.3G-23.078(R10-10.1.0) | 10.1.0 | Approved | Aug 12 | http://www.tta.or.kr/data/ttasDown.jsp?where=14688&pk_num=TTAT.3G-23.078(R10-10.1.0) |
| TTC | TS-3GA-23.078(Rel10)v10.1.0 | 10.1.0 | Approved | Feb 12 | http://www.ttc.or.jp/j/document_list/free/3gpps2012/TS/TS-3GA-23.078(Rel10)v10.1.0.pdf |
| Release 11 | | | | | |
| ATIS | ATIS.3GPP.23.078V1130-2014 | 11.3.0 | Approved | May 14 | https://www.atis.org/docstore/default.aspx |
| CCSA | CCSA-TSD-DS-23.078 | 11.3.0 | Published | Jun 14 | http://www.ccsa.org.cn/english/tc/files.php?docpath=/ITU-R/M.1457/M.1457-12/DS |
| ETSI | ETSI TS 123 078 | 11.3.0 | Published | Nov 12 | http://www.etsi.org/deliver/etsi_ts/123000_123099/123078/11.03.00_60/ |
| TTA | TTAT.3G-23.078(R11-11.3.0) | 11.3.0 | published | Aug 13 | http://www.tta.or.kr/data/ttasDown.jsp?where=14688&pk_num=TTAT.3G-23.078(R11-11.3.0) |
| TTC | TS-3GA-23.078(Rel11)v11.3.0 | 11.3.0 | Approved | Jun 13 | http://www.ttc.or.jp/j/document_list/free/3gpps2013/TS/TS-3GA-23.078(Rel11)v11.3.0.pdf |

5.1.2.12.17 TS 23.081

Line Identification supplementary services; Stage 2

This document gives the stage 2 description of the call identification supplementary services.

The group line identification supplementary services are divided into the following four supplementary services:

- Calling line identification presentation CLIP;
- Calling line identification restriction CLIR;
- Connected line identification presentation COLP;
- Connected line identification restriction COLR.

| SDO (2) | Document No. | Version | Status | Issued date | Location (1) |
|-------------------|----------------------------|---------|-----------|-------------|---|
| Release 99 | | | | | |
| CCSA | CCSA-TSD-DS-23.078 | 3.19.0 | Published | Jun 12 | http://www.ccsa.org.cn/english/tc/files.php?docpath=/ITU-R/M.1457/M.1457-12/DS |
| ETSI | ETSI TS 123 078 | 3.19.0 | Published | Apr 04 | http://www.etsi.org/deliver/etsi_ts/123000_123099/123078/03.19.00_60/ |
| TTC | TS-3GA-23.078(R99)v3.19.0 | 3.19.0 | Approved | May 04 | http://www.ttc.or.jp/j/document_list/free/TS/TS-3GA-23.078(R99)v3.19.0.pdf |
| Release 4 | | | | | |
| CCSA | CCSA-TSD-DS-23.078 | 4.11.1 | Published | Jun 12 | http://www.ccsa.org.cn/english/tc/files.php?docpath=/ITU-R/M.1457/M.1457-12/DS |
| ETSI | ETSI TS 123 078 | 4.11.1 | Published | May 04 | http://www.etsi.org/deliver/etsi_ts/123000_123099/123078/04.11.01_60/ |
| TTC | TS-3GA-23.078(Rel4)v4.11.1 | 4.11.1 | Approved | May 04 | http://www.ttc.or.jp/j/document_list/free/TS/TS-3GA-23.078(Rel4)v4.11.1.pdf |
| Release 5 | | | | | |
| CCSA | CCSA-TSD-DS-23.078 | 5.12.0 | Published | Jun 12 | http://www.ccsa.org.cn/english/tc/files.php?docpath=/ITU-R/M.1457/M.1457-12/DS |
| ETSI | ETSI TS 123 078 | 5.12.0 | Published | Oct 09 | http://www.etsi.org/deliver/etsi_ts/123000_123099/123078/05.12.00_60/ |
| TTC | TS-3GA-23.078(Rel5)v5.12.0 | 5.12.0 | Approved | Dec 09 | http://www.ttc.or.jp/j/document_list/free/3gpps2009/TS/TS-3GA-23.078(Rel5)v5.12.0.pdf |
| Release 6 | | | | | |
| CCSA | CCSA-TSD-DS-23.078 | 6.10.0 | Published | Jun 12 | http://www.ccsa.org.cn/english/tc/files.php?docpath=/ITU-R/M.1457/M.1457-12/DS |
| ETSI | ETSI TS 123 078 | 6.10.0 | Published | Oct 09 | http://www.etsi.org/deliver/etsi_ts/123000_123099/123078/06.10.00_60/ |
| TTC | TS-3GA-23.078(Rel6)v6.10.0 | 6.10.0 | Approved | Dec 09 | http://www.ttc.or.jp/j/document_list/free/3gpps2009/TS/TS-3GA-23.078(Rel6)v6.10.0.pdf |
| Release 7 | | | | | |
| CCSA | CCSA-TSD-DS-23.078 | 7.10.0 | Published | Jun 12 | http://www.ccsa.org.cn/english/tc/files.php?docpath=/ITU-R/M.1457/M.1457-12/DS |
| ETSI | ETSI TS 123 078 | 7.10.0 | Published | Oct 09 | http://www.etsi.org/deliver/etsi_ts/123000_123099/123078/07.10.00_60/ |
| TTC | TS-3GA-23.078(Rel7)v7.10.0 | 7.10.0 | Approved | Dec 09 | http://www.ttc.or.jp/j/document_list/free/3gpps2009/TS/TS-3GA-23.078(Rel7)v7.10.0.pdf |
| Release 8 | | | | | |
| CCSA | CCSA-TSD-DS-23.078 | 8.4.0 | Published | Jun 12 | http://www.ccsa.org.cn/english/tc/files.php?docpath=/ITU-R/M.1457/M.1457-12/DS |
| ETSI | ETSI TS 123 078 | 8.4.0 | Published | Jan 12 | http://www.etsi.org/deliver/etsi_ts/123000_123099/123078/08.04.00_60/ |
| TTC | TS-3GA-23.078(Rel8)v8.4.0 | 8.4.0 | Approved | Feb 12 | http://www.ttc.or.jp/j/document_list/free/3gpps2012/TS/TS-3GA-23.078(Rel8)v8.4.0.pdf |
| Release 9 | | | | | |
| CCSA | CCSA-TSD-DS-23.078 | 9.3.0 | Published | Jun 12 | http://www.ccsa.org.cn/english/tc/files.php?docpath=/ITU-R/M.1457/M.1457-12/DS |
| ETSI | ETSI TS 123 078 | 9.3.0 | Published | Jan 12 | http://www.etsi.org/deliver/etsi_ts/123000_123099/123078/09.03.00_60/ |
| TTC | TS-3GA-23.078(Rel9)v9.3.0 | 9.3.0 | Approved | Feb 12 | http://www.ttc.or.jp/j/document_list/free/3gpps2012/TS/TS-3GA-23.078(Rel9)v9.3.0.pdf |
| Release 10 | | | | | |
| ATIS | ATIS.3GPP.23.078V1010-2014 | 10.1.0 | Approved | May 14 | https://www.atis.org/docstore/default.aspx |
| CCSA | CCSA-TSD-DS-23.078 | 10.1.0 | Published | Jun 12 | http://www.ccsa.org.cn/english/tc/files.php?docpath=/ITU-R/M.1457/M.1457-12/DS |
| ETSI | ETSI TS 123 078 | 10.1.0 | Published | Jan 12 | http://www.etsi.org/deliver/etsi_ts/123000_123099/123078/10.01.00_60/ |
| TTA | TTAT.3G-23.078(R10-10.1.0) | 10.1.0 | Approved | Aug 12 | http://www.tta.or.kr/data/ttasDown.jsp?where=14688&pk_num=TTAT.3G-23.078(R10-10.1.0) |

| | | | | | |
|-------------------|-----------------------------|--------|-----------|--------|---|
| TTC | TS-3GA-23.078(Rel10)v10.1.0 | 10.1.0 | Approved | Feb 12 | http://www.ttc.or.jp/j/document_list/free/3gpps2012/TS/TS-3GA-23.078(Rel10)v10.1.0.pdf |
| Release 11 | | | | | |
| ATIS | ATIS.3GPP.23.078V1130-2014 | 11.3.0 | Approved | May 14 | https://www.atis.org/docstore/default.aspx |
| CCSA | CCSA-TSD-DS-23.078 | 11.3.0 | Published | Jun 14 | http://www.ccsa.org.cn/english/tc/files.php?docpath=/ITU-R/M.1457/M.1457-12/DS |
| ETSI | ETSI TS 123 078 | 11.3.0 | Published | Nov 12 | http://www.etsi.org/deliver/etsi_ts/123000_123099/123078/11.03.00_60/ |
| TTA | TTAT.3G-23.078(R11-11.3.0) | 11.3.0 | published | Aug 13 | http://www.tta.or.kr/data/ttasDown.jsp?where=14688&pk_num=TTAT.3G-23.078(R11-11.3.0) |
| TTC | TS-3GA-23.078(Rel11)v11.3.0 | 11.3.0 | Approved | Jun 13 | http://www.ttc.or.jp/j/document_list/free/3gpps2013/TS/TS-3GA-23.078(Rel11)v11.3.0.pdf |

5.1.2.12.18 TS 23.082

Call Forwarding (CF) supplementary services; Stage 2

This document gives the stage 2 description of the call forwarding supplementary services.

The group of supplementary services call offering supplementary services is divided into 4 different supplementary services:

- Call forwarding unconditional (CFU);
- Call forwarding on mobile subscriber busy (CFB);
- Call forwarding on no reply (CFNRy);
- Call forwarding on mobile subscriber not reachable (CFNRc).

| SDO (2) | Document No. | Version | Status | Issued date | Location (1) |
|-------------------|-----------------------------|---------|-----------|-------------|---|
| Release 99 | | | | | |
| TTC | TS-3GA-23.082(R99)v3.7.0 | 3.7.0 | Approved | Aug 02 | http://www.ttc.or.jp/j/document_list/free/TS/TS-3GA-23.082(R99)v3.7.0.pdf |
| Release 4 | | | | | |
| TTC | TS-3GA-23.082(Rel4)v4.3.0 | 4.3.0 | Approved | Aug 02 | http://www.ttc.or.jp/j/document_list/free/TS/TS-3GA-23.082(Rel4)v4.3.0.pdf |
| Release 5 | | | | | |
| TTC | TS-3GA-23.082(Rel5)v5.0.0 | 5.0.0 | Approved | Aug 02 | http://www.ttc.or.jp/j/document_list/free/TS/TS-3GA-23.082(Rel5)v5.0.0.pdf |
| Release 6 | | | | | |
| TTC | TS-3GA-23.082(Rel6)v6.0.0 | 6.0.0 | Approved | Mar 05 | http://www.ttc.or.jp/j/document_list/free/TS/TS-3GA-23.082(Rel6)v6.0.0.pdf |
| Release 7 | | | | | |
| TTC | TS-3GA-23.082(Rel7)v7.2.0 | 7.2.0 | Approved | Feb 09 | http://www.ttc.or.jp/j/document_list/free/3gpps2009/TS/TS-3GA-23.082(Rel7)v7.2.0.pdf |
| Release 8 | | | | | |
| TTC | TS-3GA-23.082(Rel8)v8.0.0 | 8.0.0 | Approved | Feb 09 | http://www.ttc.or.jp/j/document_list/free/3gpps2009/TS/TS-3GA-23.082(Rel8)v8.0.0.pdf |
| Release 9 | | | | | |
| TTC | TS-3GA-23.082(Rel9)v9.0.0 | 9.0.0 | Approved | Jul 10 | http://www.ttc.or.jp/j/document_list/free/3gpps2010/TS/TS-3GA-23.082(Rel9)v9.0.0.pdf |
| Release 10 | | | | | |
| TTC | TS-3GA-23.082(Rel10)v10.0.0 | 10.0.0 | Approved | Jun 11 | http://www.ttc.or.jp/j/document_list/free/3gpps2011/TS/TS-3GA-23.082(Rel10)v10.0.0.pdf |
| Release 11 | | | | | |
| ATIS | ATIS.3GPP.23.082V1100-2014 | 11.0.0 | Approved | May 14 | https://www.atis.org/docstore/default.aspx |
| TTA | TTAT.3G-23.082(R11-11.0.0) | 11.0.0 | published | Aug 13 | http://www.tta.or.kr/data/ttasDown.jsp?where=14688&pk_num=TTAT.3G-23.082(R11-11.0.0) |

TTC TS-3GA-23.082(Rel11)v11.0.0 11.0.0 Approved Jun 13 [http://www.ttc.or.jp/j/document_list/free/3gpps2013/TS/TS-3GA-23.082\(Rel11\)v11.0.0.pdf](http://www.ttc.or.jp/j/document_list/free/3gpps2013/TS/TS-3GA-23.082(Rel11)v11.0.0.pdf)

5.1.2.12.19 TS 23.083

Call Waiting (CW) and Call Hold (HOLD) supplementary services; Stage 2

This document gives the stage 2 description of the call completion supplementary services.

The group of call completion supplementary services is divided into the following two supplementary services:

- Call waiting (CW);
- Call hold (HOLD).

| SDO (2) | Document No. | Version | Status | Issued date | Location (1) |
|-------------------|-----------------------------|---------|-----------|-------------|---|
| Release 99 | | | | | |
| TTC | JP-3GA-23.083(R99) | 3.2.0 | Approved | May 01 | http://www.ttc.or.jp/j/document_list/pdf/j/STD/JP-3GA-23.083(R99)v2.pdf |
| Release 4 | | | | | |
| TTC | TS-3GA-23.083(Rel4)v4.3.0 | 4.3.0 | Approved | Feb 02 | http://www.ttc.or.jp/j/document_list/free/TS/TS-3GA-23.083(Rel4)v4.3.0.pdf |
| Release 5 | | | | | |
| TTC | TS-3GA-23.083(Rel5)v5.1.0 | 5.1.0 | Approved | Nov 02 | http://www.ttc.or.jp/j/document_list/free/TS/TS-3GA-23.083(Rel5)v5.1.0.pdf |
| Release 6 | | | | | |
| TTC | TS-3GA-23.083(Rel6)v6.0.0 | 6.0.0 | Approved | Mar 05 | http://www.ttc.or.jp/j/document_list/free/TS/TS-3GA-23.083(Rel6)v6.0.0.pdf |
| Release 7 | | | | | |
| TTC | TS-3GA-23.083(Rel7)v7.0.0 | 7.0.0 | Approved | Mar 08 | http://www.ttc.or.jp/j/document_list/free/TS/TS-3GA-23.083(Rel7)v7.0.0.pdf |
| Release 8 | | | | | |
| TTC | TS-3GA-23.083(Rel8)v8.0.0 | 8.0.0 | Approved | Feb 09 | http://www.ttc.or.jp/j/document_list/free/3gpps2009/TS/TS-3GA-23.083(Rel8)v8.0.0.pdf |
| Release 9 | | | | | |
| TTC | TS-3GA-23.083(Rel9)v9.0.0 | 9.0.0 | Approved | Jul 10 | http://www.ttc.or.jp/j/document_list/free/3gpps2010/TS/TS-3GA-23.083(Rel9)v9.0.0.pdf |
| Release 10 | | | | | |
| TTC | TS-3GA-23.083(Rel10)v10.0.0 | 10.0.0 | Approved | Jun 11 | http://www.ttc.or.jp/j/document_list/free/3gpps2011/TS/TS-3GA-23.083(Rel10)v10.0.0.pdf |
| Release 11 | | | | | |
| ATIS | ATIS.3GPP.23.083V1100-2014 | 11.0.0 | Approved | May 14 | https://www.atis.org/docstore/default.aspx |
| TTA | TTAT.3G-23.083(R11-11.0.0) | 11.0.0 | published | Aug 13 | http://www.tta.or.kr/data/ttasDown.jsp?where=14688&pk_num=TTAT.3G-23.083(R11-11.0.0) |
| TTC | TS-3GA-23.083(Rel11)v11.0.0 | 11.0.0 | Approved | Jun 13 | http://www.ttc.or.jp/j/document_list/free/3gpps2013/TS/TS-3GA-23.083(Rel11)v11.0.0.pdf |

5.1.2.12.20 TS 23.084

Multi Party (MPTY) supplementary service; Stage 2

This document gives the stage 2 description of the multi party supplementary services.

Only one multi party supplementary service has been defined, this is the Multi Party (MPTY) service.

| SDO (2) | Document No. | Version | Status | Issued date | Location (1) |
|-------------------|-----------------------------|---------|-----------|-------------|---|
| Release 99 | | | | | |
| TTC | JP-3GA-23.084(R99) | 3.2.0 | Approved | May 01 | http://www.ttc.or.jp/j/document_list/pdf/j/STD/JP-3GA-23.084(R99)v2.pdf |
| Release 4 | | | | | |
| TTC | TS-3GA-23.084(Rel4)v4.0.0 | 4.0.0 | Approved | May 01 | http://www.ttc.or.jp/j/document_list/free/TS/TS-3GA-23.084(Rel4)v4.0.0.pdf |
| Release 5 | | | | | |
| TTC | TS-3GA-23.084(Rel5)v5.0.0 | 5.0.0 | Approved | May 02 | http://www.ttc.or.jp/j/document_list/free/TS/TS-3GA-23.084(Rel5)v5.0.0.pdf |
| Release 6 | | | | | |
| TTC | TS-3GA-23.084(Rel6)v6.0.0 | 6.0.0 | Approved | Mar 05 | http://www.ttc.or.jp/j/document_list/free/TS/TS-3GA-23.084(Rel6)v6.0.0.pdf |
| Release 7 | | | | | |
| TTC | TS-3GA-23.084(Rel7)v7.0.0 | 7.0.0 | Approved | Mar 08 | http://www.ttc.or.jp/j/document_list/free/TS/TS-3GA-23.084(Rel7)v7.0.0.pdf |
| Release 8 | | | | | |
| TTC | TS-3GA-23.084(Rel8)v8.0.0 | 8.0.0 | Approved | Feb 09 | http://www.ttc.or.jp/j/document_list/free/3gpps2009/TS/TS-3GA-23.084(Rel8)v8.0.0.pdf |
| Release 9 | | | | | |
| TTC | TS-3GA-23.084(Rel9)v9.0.0 | 9.0.0 | Approved | Jul 10 | http://www.ttc.or.jp/j/document_list/free/3gpps2010/TS/TS-3GA-23.084(Rel9)v9.0.0.pdf |
| Release 10 | | | | | |
| TTC | TS-3GA-23.084(Rel10)v10.0.0 | 10.0.0 | Approved | Jun 11 | http://www.ttc.or.jp/j/document_list/free/3gpps2011/TS/TS-3GA-23.084(Rel10)v10.0.0.pdf |
| Release 11 | | | | | |
| ATIS | ATIS.3GPP.23.084V1100-2014 | 11.0.0 | Approved | May 14 | https://www.atis.org/docstore/default.aspx |
| TTA | TTAT.3G-23.084(R11-11.0.0) | 11.0.0 | published | Aug 13 | http://www.tta.or.kr/data/ttasDown.jsp?where=14688&pk_num=TTAT.3G-23.084(R11-11.0.0) |
| TTC | TS-3GA-23.084(Rel11)v11.0.0 | 11.0.0 | Approved | Jun 13 | http://www.ttc.or.jp/j/document_list/free/3gpps2013/TS/TS-3GA-23.084(Rel11)v11.0.0.pdf |

5.1.2.12.21 TS 23.085

Closed User Group (CUG) supplementary service; Stage 2

This document gives the stage 2 description of the closed user group supplementary service.

The community of interest supplementary service defined is:

- closed user group (CUG).

| SDO (2) | Document No. | Version | Status | Issued date | Location (1) |
|-------------------|---------------------------|---------|----------|-------------|---|
| Release 99 | | | | | |
| TTC | JP-3GA-23.085(R99) | 3.1.0 | Approved | May 01 | http://www.ttc.or.jp/j/document_list/pdf/j/STD/JP-3GA-23.085(R99)v3.pdf |
| Release 4 | | | | | |
| TTC | TS-3GA-23.085(Rel4)v4.0.0 | 4.0.0 | Approved | May 01 | http://www.ttc.or.jp/j/document_list/free/TS/TS-3GA-23.085(Rel4)v4.0.0.pdf |
| Release 5 | | | | | |
| TTC | TS-3GA-23.085(Rel5)v5.0.0 | 5.0.0 | Approved | Aug 02 | http://www.ttc.or.jp/j/document_list/free/TS/TS-3GA-23.085(Rel5)v5.0.0.pdf |
| Release 6 | | | | | |
| TTC | TS-3GA-23.085(Rel6)v6.1.0 | 6.1.0 | Approved | Feb 06 | http://www.ttc.or.jp/j/document_list/free/TS/TS-3GA-23.085(Rel6)v6.1.0.pdf |
| Release 7 | | | | | |
| TTC | TS-3GA-23.085(Rel7)v7.0.0 | 7.0.0 | Approved | Mar 08 | http://www.ttc.or.jp/j/document_list/free/TS/TS-3GA-23.085(Rel7)v7.0.0.pdf |

Release 8

| | | | | | |
|-----|---------------------------|-------|----------|--------|---|
| TTC | TS-3GA-23.085(Rel8)v8.0.0 | 8.0.0 | Approved | Feb 09 | http://www.ttc.or.jp/j/document_list/free/3gpps2009/TS/TS-3GA-23.085(Rel8)v8.0.0.pdf |
|-----|---------------------------|-------|----------|--------|---|

Release 9

| | | | | | |
|-----|---------------------------|-------|----------|--------|---|
| TTC | TS-3GA-23.085(Rel9)v9.0.0 | 9.0.0 | Approved | Jul 10 | http://www.ttc.or.jp/j/document_list/free/3gpps2010/TS/TS-3GA-23.085(Rel9)v9.0.0.pdf |
|-----|---------------------------|-------|----------|--------|---|

Release 10

| | | | | | |
|-----|-----------------------------|--------|----------|--------|---|
| TTC | TS-3GA-23.085(Rel10)v10.0.0 | 10.0.0 | Approved | Jun 11 | http://www.ttc.or.jp/j/document_list/free/3gpps2011/TS/TS-3GA-23.085(Rel10)v10.0.0.pdf |
|-----|-----------------------------|--------|----------|--------|---|

Release 11

| | | | | | |
|------|-----------------------------|--------|-----------|--------|---|
| ATIS | ATIS.3GPP.23.085V1100-2014 | 11.0.0 | Approved | May 14 | https://www.atis.org/docstore/default.aspx |
| TTA | TTAT.3G-23.085(R11-11.0.0) | 11.0.0 | published | Aug 13 | http://www.tta.or.kr/data/ttasDown.jsp?where=14688&pk_num=TTAT.3G-23.085(R11-11.0.0) |
| TTC | TS-3GA-23.085(Rel11)v11.0.0 | 11.0.0 | Approved | Jun 13 | http://www.ttc.or.jp/j/document_list/free/3gpps2013/TS/TS-3GA-23.085(Rel11)v11.0.0.pdf |

5.1.2.12.22 TS 23.086**Advice of Charge (AoC) supplementary services; Stage 2**

This document gives the stage 2 description of the Advice of Charge (AoC) supplementary services.

The charging supplementary services currently defined are:

- Advice of Charge (Information) (AoCI);
- Advice of Charge (Charging) (AoCC).

| SDO (2) | Document No. | Version | Status | Issued date | Location (1) |
|-------------------|-----------------------------|---------|-----------|-------------|---|
| Release 99 | | | | | |
| TTC | JP-3GA-23.086(R99) | 3.1.0 | Approved | May 01 | http://www.ttc.or.jp/j/document_list/pdf/j/STD/JP-3GA-23.086(R99)v3.pdf |
| Release 4 | | | | | |
| TTC | TS-3GA-23.086(Rel4)v4.0.0 | 4.0.0 | Approved | May 01 | http://www.ttc.or.jp/j/document_list/free/TS/TS-3GA-23.086(Rel4)v4.0.0.pdf |
| Release 5 | | | | | |
| TTC | TS-3GA-23.086(Rel5)v5.0.0 | 5.0.0 | Approved | Aug 02 | http://www.ttc.or.jp/j/document_list/free/TS/TS-3GA-23.086(Rel5)v5.0.0.pdf |
| Release 6 | | | | | |
| TTC | TS-3GA-23.086(Rel6)v6.1.0 | 6.1.0 | Approved | Feb 06 | http://www.ttc.or.jp/j/document_list/free/TS/TS-3GA-23.086(Rel6)v6.1.0.pdf |
| Release 7 | | | | | |
| TTC | TS-3GA-23.086(Rel7)v7.0.0 | 7.0.0 | Approved | Mar 08 | http://www.ttc.or.jp/j/document_list/free/TS/TS-3GA-23.086(Rel7)v7.0.0.pdf |
| Release 8 | | | | | |
| TTC | TS-3GA-23.086(Rel8)v8.0.0 | 8.0.0 | Approved | Feb 09 | http://www.ttc.or.jp/j/document_list/free/3gpps2009/TS/TS-3GA-23.086(Rel8)v8.0.0.pdf |
| Release 9 | | | | | |
| TTC | TS-3GA-23.086(Rel9)v9.0.0 | 9.0.0 | Approved | Jul 10 | http://www.ttc.or.jp/j/document_list/free/3gpps2010/TS/TS-3GA-23.086(Rel9)v9.0.0.pdf |
| Release 10 | | | | | |
| TTC | TS-3GA-23.086(Rel10)v10.0.0 | 10.0.0 | Approved | Jun 11 | http://www.ttc.or.jp/j/document_list/free/3gpps2011/TS/TS-3GA-23.086(Rel10)v10.0.0.pdf |
| Release 11 | | | | | |
| ATIS | ATIS.3GPP.23.086V1100-2014 | 11.0.0 | Approved | May 14 | https://www.atis.org/docstore/default.aspx |
| TTA | TTAT.3G-23.086(R11-11.0.0) | 11.0.0 | published | Aug 13 | http://www.tta.or.kr/data/ttasDown.jsp?where=14688&pk_num=TTAT.3G-23.086(R11-11.0.0) |

TTC TS-3GA-23.086(Rel11)v11.0.0 11.0.0 Approved Jun 13 [http://www.ttc.or.jp/j/document_list/free/3gpps2013/TS/TS-3GA-23.086\(Rel11\)v11.0.0.pdf](http://www.ttc.or.jp/j/document_list/free/3gpps2013/TS/TS-3GA-23.086(Rel11)v11.0.0.pdf)

5.1.2.12.23 TS 23.087

User-to-User Signalling (UUS) supplementary service; Stage 2

This document gives the stage 2 description of the User-to-User signalling supplementary services.

The User-to-user supplementary service is divided into 3 different services:

- Service 1 (UUS1);
- Service 2 (UUS2);
- Service 3 (UUS3).

| SDO (2) | Document No. | Version | Status | Issued date | Location (1) |
|-------------------|-----------------------------|---------|-----------|-------------|---|
| Release 99 | | | | | |
| TTC | JP-3GA-23.087(R99) | 3.1.0 | Approved | May 01 | http://www.ttc.or.jp/j/document_list/pdf/j/STD/JP-3GA-23.087(R99)v3.pdf |
| Release 4 | | | | | |
| TTC | TS-3GA-23.087(Rel4)v4.0.0 | 4.0.0 | Approved | May 01 | http://www.ttc.or.jp/j/document_list/free/TS/TS-3GA-23.087(Rel4)v4.0.0.pdf |
| Release 5 | | | | | |
| TTC | TS-3GA-23.087(Rel5)v5.0.0 | 5.0.0 | Approved | Aug 02 | http://www.ttc.or.jp/j/document_list/free/TS/TS-3GA-23.087(Rel5)v5.0.0.pdf |
| Release 6 | | | | | |
| TTC | TS-3GA-23.087(Rel6)v6.0.0 | 6.0.0 | Approved | Mar 05 | http://www.ttc.or.jp/j/document_list/free/TS/TS-3GA-23.087(Rel6)v6.0.0.pdf |
| Release 7 | | | | | |
| TTC | TS-3GA-23.087(Rel7)v7.0.0 | 7.0.0 | Approved | Mar 08 | http://www.ttc.or.jp/j/document_list/free/TS/TS-3GA-23.087(Rel7)v7.0.0.pdf |
| Release 8 | | | | | |
| TTC | TS-3GA-23.087(Rel8)v8.0.0 | 8.0.0 | Approved | Feb 09 | http://www.ttc.or.jp/j/document_list/free/3gpps2009/TS/TS-3GA-23.087(Rel8)v8.0.0.pdf |
| Release 9 | | | | | |
| TTC | TS-3GA-23.087(Rel9)v9.0.0 | 9.0.0 | Approved | Jul 10 | http://www.ttc.or.jp/j/document_list/free/3gpps2010/TS/TS-3GA-23.087(Rel9)v9.0.0.pdf |
| Release 10 | | | | | |
| TTC | TS-3GA-23.087(Rel10)v10.0.0 | 10.0.0 | Approved | Jun 11 | http://www.ttc.or.jp/j/document_list/free/3gpps2011/TS/TS-3GA-23.087(Rel10)v10.0.0.pdf |
| Release 11 | | | | | |
| ATIS | ATIS.3GPP.23.087V1100-2014 | 11.0.0 | Approved | May 14 | https://www.atis.org/docstore/default.aspx |
| TTA | TTAT.3G-23.087(R11-11.0.0) | 11.0.0 | published | Aug 13 | http://www.tta.or.kr/data/ttasDown.jsp?where=14688&pk_num=TTAT.3G-23.087(R11-11.0.0) |
| TTC | TS-3GA-23.087(Rel11)v11.0.0 | 11.0.0 | Approved | Jun 13 | http://www.ttc.or.jp/j/document_list/free/3gpps2013/TS/TS-3GA-23.087(Rel11)v11.0.0.pdf |

5.1.2.12.24 TS 23.088

Call Barring (CB) Supplementary Services; Stage 2

This document gives the stage 2 description of the call barring services.

The possibility for a mobile subscriber to have certain categories of calls barred originated from or terminated at his access:

Barring of outgoing calls:

- Barring of all outgoing calls (BAOC) (Barring program 1);
- Barring of outgoing international calls (BOIC) (Barring program 2);
- Barring of outgoing international calls EXCEPT those directed to the home PLMN country (BOIC-exHC) (Barring program 3).

Barring of incoming calls:

- Barring of all incoming calls (BAIC) (Barring program 1);
- Barring of incoming calls when roaming outside the home PLMN country (BIC-Roam) (Barring program 2)
- Anonymous Call Rejection (ACR) (Barring program 3). The call barring program "incoming calls when roaming outside the home PLMN country" is only relevant if as a general rule the called mobile subscriber pays the charges for the forwarded part of the call from his home PLMN country to any other country.

| SDO (2) | Document No. | Version | Status | Issued date | Location (1) |
|-------------------|-----------------------------|---------|-----------|-------------|---|
| Release 99 | | | | | |
| TTC | JP-3GA-23.088(R99) | 3.2.0 | Approved | May 01 | http://www.ttc.or.jp/j/document_list/pdf/j/STD/JP-3GA-23.088(R99)v3.pdf |
| Release 4 | | | | | |
| TTC | TS-3GA-23.088(Rel4)v4.0.0 | 4.0.0 | Approved | May 01 | http://www.ttc.or.jp/j/document_list/free/TS/TS-3GA-23.088(Rel4)v4.0.0.pdf |
| Release 5 | | | | | |
| TTC | TS-3GA-23.088(Rel5)v5.0.0 | 5.0.0 | Approved | Aug 02 | http://www.ttc.or.jp/j/document_list/free/TS/TS-3GA-23.088(Rel5)v5.0.0.pdf |
| Release 6 | | | | | |
| TTC | TS-3GA-23.088(Rel6)v6.0.0 | 6.0.0 | Approved | Mar 05 | http://www.ttc.or.jp/j/document_list/free/TS/TS-3GA-23.088(Rel6)v6.0.0.pdf |
| Release 7 | | | | | |
| TTC | TS-3GA-23.088(Rel7)v7.0.0 | 7.0.0 | Approved | Mar 08 | http://www.ttc.or.jp/j/document_list/free/TS/TS-3GA-23.088(Rel7)v7.0.0.pdf |
| Release 8 | | | | | |
| TTC | TS-3GA-23.088(Rel8)v8.0.0 | 8.0.0 | Approved | Feb 09 | http://www.ttc.or.jp/j/document_list/free/3gpps2009/TS/TS-3GA-23.088(Rel8)v8.0.0.pdf |
| Release 9 | | | | | |
| TTC | TS-3GA-23.088(Rel9)v9.0.0 | 9.0.0 | Approved | Jul 10 | http://www.ttc.or.jp/j/document_list/free/3gpps2010/TS/TS-3GA-23.088(Rel9)v9.0.0.pdf |
| Release 10 | | | | | |
| TTC | TS-3GA-23.088(Rel10)v10.0.0 | 10.0.0 | Approved | Jun 11 | http://www.ttc.or.jp/j/document_list/free/3gpps2011/TS/TS-3GA-23.088(Rel10)v10.0.0.pdf |
| Release 11 | | | | | |
| ATIS | ATIS.3GPP.23.088V1110-2014 | 11.1.0 | Approved | May 14 | https://www.atis.org/docstore/default.aspx |
| TTA | TTAT.3G-23.088(R11-11.1.0) | 11.1.0 | published | Aug 13 | http://www.tta.or.kr/data/ttasDown.jsp?where=14688&pk_num=TTAT.3G-23.088(R11-11.1.0) |
| TTC | TS-3GA-23.088(Rel11)v11.1.0 | 11.1.0 | Approved | Jun 13 | http://www.ttc.or.jp/j/document_list/free/3gpps2013/TS/TS-3GA-23.088(Rel11)v11.1.0.pdf |

5.1.2.12.25 TS 23.090**Unstructured Supplementary Service Data (USSD); Stage 2**

This document gives the stage 2 description of Unstructured Supplementary Service Data (USSD). The unstructured supplementary service data (USSD) mechanism allows the Mobile Station (MS) user and a PLMN operator defined application to communicate in a way which is transparent to the MS and to intermediate network entities. The mechanism allows development of PLMN specific supplementary services. This document defines the requirements for handling USSD at the MS and network entities.

| SDO (2) | Document No. | Version | Status | Issued date | Location (1) |
|-------------------|-----------------------------|---------|-----------|-------------|---|
| Release 99 | | | | | |
| CCSA | CCSA-TSD-DS-23.090 | 3.2.0 | Published | Jun 12 | http://www.ccsa.org.cn/english/tc/files.php?docpath=/ITU-R/M.1457/M.1457-12/DS |
| ETSI | ETSI TS 123 090 | 3.2.0 | Published | Nov 00 | http://www.etsi.org/deliver/etsi_ts/123000_123099/123090/03.02.00_60/ |
| TTC | JP-3GA-23.090(R99) | 3.2.0 | Approved | May 01 | http://www.ttc.or.jp/j/document_list/pdf/j/STD/JP-3GA-23.090(R99)v2.pdf |
| Release 4 | | | | | |
| CCSA | CCSA-TSD-DS-23.090 | 4.0.0 | Published | Jun 12 | http://www.ccsa.org.cn/english/tc/files.php?docpath=/ITU-R/M.1457/M.1457-12/DS |
| ETSI | ETSI TS 123 090 | 4.0.0 | Published | Apr 01 | http://www.etsi.org/deliver/etsi_ts/123000_123099/123090/04.00.00_60/ |
| TTC | TS-3GA-23.090(Rel4)v4.0.0 | 4.0.0 | Approved | May 01 | http://www.ttc.or.jp/j/document_list/free/TS/TS-3GA-23.090(Rel4)v4.0.0.pdf |
| Release 5 | | | | | |
| CCSA | CCSA-TSD-DS-23.090 | 5.0.0 | Published | Jun 12 | http://www.ccsa.org.cn/english/tc/files.php?docpath=/ITU-R/M.1457/M.1457-12/DS |
| ETSI | ETSI TS 123 090 | 5.0.0 | Published | Jul 02 | http://www.etsi.org/deliver/etsi_ts/123000_123099/123090/05.00.00_60/ |
| TTC | TS-3GA-23.090(Rel5)v5.0.0 | 5.0.0 | Approved | Aug 02 | http://www.ttc.or.jp/j/document_list/free/TS/TS-3GA-23.090(Rel5)v5.0.0.pdf |
| Release 6 | | | | | |
| CCSA | CCSA-TSD-DS-23.090 | 6.1.0 | Published | Jun 12 | http://www.ccsa.org.cn/english/tc/files.php?docpath=/ITU-R/M.1457/M.1457-12/DS |
| ETSI | ETSI TS 123 090 | 6.1.0 | Published | Jan 06 | http://www.etsi.org/deliver/etsi_ts/123000_123099/123090/06.01.00_60/ |
| TTC | TS-3GA-23.090(Rel6)v6.1.0 | 6.1.0 | Approved | Feb 06 | http://www.ttc.or.jp/j/document_list/free/TS/TS-3GA-23.090(Rel6)v6.1.0.pdf |
| Release 7 | | | | | |
| CCSA | CCSA-TSD-DS-23.090 | 7.0.0 | Published | Jun 12 | http://www.ccsa.org.cn/english/tc/files.php?docpath=/ITU-R/M.1457/M.1457-12/DS |
| ETSI | ETSI TS 123 090 | 7.0.0 | Published | Jul 07 | http://www.etsi.org/deliver/etsi_ts/123000_123099/123090/07.00.00_60/ |
| TTC | TS-3GA-23.090(Rel7)v7.0.0 | 7.0.0 | Approved | Mar 08 | http://www.ttc.or.jp/j/document_list/free/TS/TS-3GA-23.090(Rel7)v7.0.0.pdf |
| Release 8 | | | | | |
| CCSA | CCSA-TSD-DS-23.090 | 8.0.0 | Published | Jun 12 | http://www.ccsa.org.cn/english/tc/files.php?docpath=/ITU-R/M.1457/M.1457-12/DS |
| ETSI | ETSI TS 123 090 | 8.0.0 | Published | Jan 09 | http://www.etsi.org/deliver/etsi_ts/123000_123099/123090/08.00.00_60/ |
| TTC | TS-3GA-23.090(Rel8)v8.0.0 | 8.0.0 | Approved | Feb 09 | http://www.ttc.or.jp/j/document_list/free/3gpps2009/TS/TS-3GA-23.090(Rel8)v8.0.0.pdf |
| Release 9 | | | | | |
| CCSA | CCSA-TSD-DS-23.090 | 9.0.0 | Published | Jun 12 | http://www.ccsa.org.cn/english/tc/files.php?docpath=/ITU-R/M.1457/M.1457-12/DS |
| ETSI | ETSI TS 123 090 | 9.0.0 | Published | Jan 10 | http://www.etsi.org/deliver/etsi_ts/123000_123099/123090/09.00.00_60/ |
| TTC | TS-3GA-23.090(Rel9)v9.0.0 | 9.0.0 | Approved | Jul 10 | http://www.ttc.or.jp/j/document_list/free/3gpps2010/TS/TS-3GA-23.090(Rel9)v9.0.0.pdf |
| Release 10 | | | | | |
| ATIS | ATIS.3GPP.23.090V1000-2012 | 10.0.0 | Approved | Jul 12 | https://www.atis.org/docstore/default.aspx |
| CCSA | CCSA-TSD-DS-23.090 | 10.0.0 | Published | Jun 12 | http://www.ccsa.org.cn/english/tc/files.php?docpath=/ITU-R/M.1457/M.1457-12/DS |
| ETSI | ETSI TS 123 090 | 10.0.0 | Published | May 11 | http://www.etsi.org/deliver/etsi_ts/123000_123099/123090/10.00.00_60/ |
| TTA | TTAT.3G-23.090(R10-10.0.0) | 10.0.0 | Approved | Apr 12 | http://www.tta.or.kr/data/ttasDown.jsp?where=14688&pk_num=TTAT.3G-23.090(R10-10.0.0) |
| TTC | TS-3GA-23.090(Rel10)v10.0.0 | 10.0.0 | Approved | Jun 11 | http://www.ttc.or.jp/j/document_list/free/3gpps2011/TS/TS-3GA-23.090(Rel10)v10.0.0.pdf |

Release 11

| | | | | | |
|------|-----------------------------|--------|-----------|--------|---|
| ATIS | ATIS.3GPP.23.090V1100-2014 | 11.0.0 | Approved | May 14 | https://www.atis.org/docstore/default.aspx |
| CCSA | CCSA-TSD-DS-23.090 | 11.0.0 | Published | Jun 14 | http://www.ccsa.org.cn/english/tc/files.php?docpath=/ITU-R/M.1457/M.1457-12/DS |
| ETSI | ETSI TS 123 090 | 11.0.0 | Published | Oct 12 | http://www.etsi.org/deliver/etsi_ts/123000_123099/123090/11.00.00_60/ |
| TTA | TTAT.3G-23.090(R11-11.0.0) | 11.0.0 | published | Aug 13 | http://www.tta.or.kr/data/ttasDown.jsp?where=14688&pk_num=TTAT.3G-23.090(R11-11.0.0) |
| TTC | TS-3GA-23.090(Rel11)v11.0.0 | 11.0.0 | Approved | Jun 13 | http://www.ttc.or.jp/j/document_list/free/3gpps2013/TS/TS-3GA-23.090(Rel11)v11.0.0.pdf |

5.1.2.12.26 TS 23.091**Explicit Call Transfer (ECT) supplementary service; Stage 2**

This document gives the stage 2 description of the call transfer supplementary services.

Only one call transfer supplementary service has been defined, this is the Explicit Call Transfer (ECT) supplementary service, and it is described in this document.

| SDO (2) | Document No. | Version | Status | Issued date | Location (1) |
|-------------------|-----------------------------|---------|-----------|-------------|---|
| Release 99 | | | | | |
| TTC | JP-3GA-23.091(R99) | 3.2.0 | Approved | May 01 | http://www.ttc.or.jp/j/document_list/pdf/j/STD/JP-3GA-23.091(R99)v2.pdf |
| Release 4 | | | | | |
| TTC | TS-3GA-23.091(Rel4)v4.1.0 | 4.1.0 | Approved | Nov 02 | http://www.ttc.or.jp/j/document_list/free/TS/TS-3GA-23.091(Rel4)v4.1.0.pdf |
| Release 5 | | | | | |
| TTC | TS-3GA-23.091(Rel5)v5.1.0 | 5.1.0 | Approved | Nov 02 | http://www.ttc.or.jp/j/document_list/free/TS/TS-3GA-23.091(Rel5)v5.1.0.pdf |
| Release 6 | | | | | |
| TTC | TS-3GA-23.091(Rel6)v6.0.0 | 6.0.0 | Approved | Mar 05 | http://www.ttc.or.jp/j/document_list/free/TS/TS-3GA-23.091(Rel6)v6.0.0.pdf |
| Release 7 | | | | | |
| TTC | TS-3GA-23.091(Rel7)v7.0.0 | 7.0.0 | Approved | Mar 08 | http://www.ttc.or.jp/j/document_list/free/TS/TS-3GA-23.091(Rel7)v7.0.0.pdf |
| Release 8 | | | | | |
| TTC | TS-3GA-23.091(Rel8)v8.0.0 | 8.0.0 | Approved | Feb 09 | http://www.ttc.or.jp/j/document_list/free/3gpps2009/TS/TS-3GA-23.091(Rel8)v8.0.0.pdf |
| Release 9 | | | | | |
| TTC | TS-3GA-23.091(Rel9)v9.0.0 | 9.0.0 | Approved | Jul 10 | http://www.ttc.or.jp/j/document_list/free/3gpps2010/TS/TS-3GA-23.091(Rel9)v9.0.0.pdf |
| Release 10 | | | | | |
| TTC | TS-3GA-23.091(Rel10)v10.0.0 | 10.0.0 | Approved | Jun 11 | http://www.ttc.or.jp/j/document_list/free/3gpps2011/TS/TS-3GA-23.091(Rel10)v10.0.0.pdf |
| Release 11 | | | | | |
| ATIS | ATIS.3GPP.23.091V1100-2014 | 11.0.0 | Approved | May 14 | https://www.atis.org/docstore/default.aspx |
| TTA | TTAT.3G-23.091(R11-11.0.0) | 11.0.0 | published | Aug 13 | http://www.tta.or.kr/data/ttasDown.jsp?where=14688&pk_num=TTAT.3G-23.091(R11-11.0.0) |
| TTC | TS-3GA-23.091(Rel11)v11.0.0 | 11.0.0 | Approved | Jun 13 | http://www.ttc.or.jp/j/document_list/free/3gpps2013/TS/TS-3GA-23.091(Rel11)v11.0.0.pdf |

5.1.2.12.27 TS 23.093**Technical realization of Completion of Calls to Busy Subscriber (CCBS); Stage 2**

This document gives the stage 2 description of the Completion of Calls to Busy Subscriber (CCBS) supplementary service.

| SDO (2) | Document No. | Version | Status | Issued date | Location (1) |
|-------------------|-----------------------------|---------|-----------|-------------|---|
| Release 99 | | | | | |
| TTC | JP-3GA-23.093(R99) | 3.2.0 | Approved | May 01 | http://www.ttc.or.jp/j/document_list/pdf/j/STD/JP-3GA-23.093(R99)v2.pdf |
| Release 4 | | | | | |
| TTC | TS-3GA-23.093(Rel4)v4.0.0 | 4.0.0 | Approved | May 01 | http://www.ttc.or.jp/j/document_list/free/TS/TS-3GA-23.093(Rel4)v4.0.0.pdf |
| Release 5 | | | | | |
| TTC | TS-3GA-23.093(Rel5)v5.0.0 | 5.0.0 | Approved | Aug 02 | http://www.ttc.or.jp/j/document_list/free/TS/TS-3GA-23.093(Rel5)v5.0.0.pdf |
| Release 6 | | | | | |
| TTC | TS-3GA-23.093(Rel6)v6.0.0 | 6.0.0 | Approved | Mar 05 | http://www.ttc.or.jp/j/document_list/free/TS/TS-3GA-23.093(Rel6)v6.0.0.pdf |
| Release 7 | | | | | |
| TTC | TS-3GA-23.093(Rel7)v7.3.0 | 7.3.0 | Approved | Feb 09 | http://www.ttc.or.jp/j/document_list/free/3gpps2009/TS/TS-3GA-23.093(Rel7)v7.3.0.pdf |
| Release 8 | | | | | |
| TTC | TS-3GA-23.093(Rel8)v8.0.0 | 8.0.0 | Approved | Feb 09 | http://www.ttc.or.jp/j/document_list/free/3gpps2009/TS/TS-3GA-23.093(Rel8)v8.0.0.pdf |
| Release 9 | | | | | |
| TTC | TS-3GA-23.093(Rel9)v9.0.0 | 9.0.0 | Approved | Jul 10 | http://www.ttc.or.jp/j/document_list/free/3gpps2010/TS/TS-3GA-23.093(Rel9)v9.0.0.pdf |
| Release 10 | | | | | |
| TTC | TS-3GA-23.093(Rel10)v10.0.0 | 10.0.0 | Approved | Jun 11 | http://www.ttc.or.jp/j/document_list/free/3gpps2011/TS/TS-3GA-23.093(Rel10)v10.0.0.pdf |
| Release 11 | | | | | |
| ATIS | ATIS.3GPP.23.093V1100-2014 | 11.0.0 | Approved | May 14 | https://www.atis.org/docstore/default.aspx |
| TTA | TTAT.3G-23.093(R11-11.0.0) | 11.0.0 | published | Aug 13 | http://www.tta.or.kr/data/ttasDown.jsp?where=14688&pk_num=TTAT.3G-23.093(R11-11.0.0) |
| TTC | TS-3GA-23.093(Rel11)v11.0.0 | 11.0.0 | Approved | Jun 13 | http://www.ttc.or.jp/j/document_list/free/3gpps2013/TS/TS-3GA-23.093(Rel11)v11.0.0.pdf |

5.1.2.12.28 TS 23.094

Follow-Me (FM); Stage 2

This document specifies the stage 2 description for the Follow Me feature. The Follow Me feature enables a mobile subscriber A to manipulate the Follow Me data of a remote party B in such a way that subsequent calls directed to remote party B will be forwarded to subscriber A.

| SDO (2) | Document No. | Version | Status | Issued date | Location (1) |
|-------------------|---------------------------|---------|----------|-------------|---|
| Release 99 | | | | | |
| TTC | JP-3GA-23.094(R99) | 3.2.0 | Approved | May 01 | http://www.ttc.or.jp/j/document_list/pdf/j/STD/JP-3GA-23.094(R99)v2.pdf |
| Release 4 | | | | | |
| TTC | TS-3GA-23.094(Rel4)v4.0.0 | 4.0.0 | Approved | May 01 | http://www.ttc.or.jp/j/document_list/free/TS/TS-3GA-23.094(Rel4)v4.0.0.pdf |
| Release 5 | | | | | |
| TTC | TS-3GA-23.094(Rel5)v5.0.1 | 5.0.1 | Approved | Aug 02 | http://www.ttc.or.jp/j/document_list/free/TS/TS-3GA-23.094(Rel5)v5.0.1.pdf |
| Release 6 | | | | | |
| TTC | TS-3GA-23.094(Rel6)v6.0.0 | 6.0.0 | Approved | Mar 05 | http://www.ttc.or.jp/j/document_list/free/TS/TS-3GA-23.094(Rel6)v6.0.0.pdf |
| Release 7 | | | | | |
| TTC | TS-3GA-23.094(Rel7)v7.0.0 | 7.0.0 | Approved | Mar 08 | http://www.ttc.or.jp/j/document_list/free/TS/TS-3GA-23.094(Rel7)v7.0.0.pdf |
| Release 8 | | | | | |
| TTC | TS-3GA-23.094(Rel8)v8.0.0 | 8.0.0 | Approved | Feb 09 | http://www.ttc.or.jp/j/document_list/free/3gpps2009/TS/TS-3GA-23.094(Rel8)v8.0.0.pdf |
| Release 9 | | | | | |

| | | | | | |
|-------------------|-----------------------------|--------|-----------|--------|---|
| TTC | TS-3GA-23.094(Rel9)v9.0.0 | 9.0.0 | Approved | Jul 10 | http://www.ttc.or.jp/j/document_list/free/3gpps2010/TS/TS-3GA-23.094(Rel9)v9.0.0.pdf |
| Release 10 | | | | | |
| TTC | TS-3GA-23.094(Rel10)v10.0.0 | 10.0.0 | Approved | Jun 11 | http://www.ttc.or.jp/j/document_list/free/3gpps2011/TS/TS-3GA-23.094(Rel10)v10.0.0.pdf |
| Release 11 | | | | | |
| ATIS | ATIS.3GPP.23.094V1100-2014 | 11.0.0 | Approved | May 14 | https://www.atis.org/docstore/default.aspx |
| TTA | TTAT.3G-23.094(R11-11.0.0) | 11.0.0 | published | Aug 13 | http://www.tta.or.kr/data/ttasDown.jsp?where=14688&pk_num=TTAT.3G-23.094(R11-11.0.0) |
| TTC | TS-3GA-23.094(Rel11)v11.0.0 | 11.0.0 | Approved | Jun 13 | http://www.ttc.or.jp/j/document_list/free/3gpps2013/TS/TS-3GA-23.094(Rel11)v11.0.0.pdf |

5.1.2.12.29 TS 23.096

Name identification supplementary services; Stage 2

This document gives the stage 2 description of the Name Identification Supplementary Services.

The group of Name Identification Supplementary Services contains the following Supplementary Service: CNAP - Calling name presentation.

| SDO (2) | Document No. | Version | Status | Issued date | Location (1) |
|-------------------|-----------------------------|---------|-----------|-------------|---|
| Release 99 | | | | | |
| TTC | JP-3GA-23.096(R99) | 3.0.1 | Approved | Nov 00 | http://www.ttc.or.jp/j/document_list/pdf/j/STD/JP-3GA-23.096(R99)v2.pdf |
| Release 4 | | | | | |
| TTC | TS-3GA-23.096(Rel4)v4.0.0 | 4.0.0 | Approved | May 01 | http://www.ttc.or.jp/j/document_list/free/TS/TS-3GA-23.096(Rel4)v4.0.0.pdf |
| Release 5 | | | | | |
| TTC | TS-3GA-23.096(Rel5)v5.0.0 | 5.0.0 | Approved | Aug 02 | http://www.ttc.or.jp/j/document_list/free/TS/TS-3GA-23.096(Rel5)v5.0.0.pdf |
| Release 6 | | | | | |
| TTC | TS-3GA-23.096(Rel6)v6.1.0 | 6.1.0 | Approved | Feb 06 | http://www.ttc.or.jp/j/document_list/free/TS/TS-3GA-23.096(Rel6)v6.1.0.pdf |
| Release 7 | | | | | |
| TTC | TS-3GA-23.096(Rel7)v7.0.0 | 7.0.0 | Approved | Mar 08 | http://www.ttc.or.jp/j/document_list/free/TS/TS-3GA-23.096(Rel7)v7.0.0.pdf |
| Release 8 | | | | | |
| TTC | TS-3GA-23.096(Rel8)v8.0.0 | 8.0.0 | Approved | Feb 09 | http://www.ttc.or.jp/j/document_list/free/3gpps2009/TS/TS-3GA-23.096(Rel8)v8.0.0.pdf |
| Release 9 | | | | | |
| TTC | TS-3GA-23.096(Rel9)v9.0.0 | 9.0.0 | Approved | Jul 10 | http://www.ttc.or.jp/j/document_list/free/3gpps2010/TS/TS-3GA-23.096(Rel9)v9.0.0.pdf |
| Release 10 | | | | | |
| TTC | TS-3GA-23.096(Rel10)v10.0.0 | 10.0.0 | Approved | Jun 11 | http://www.ttc.or.jp/j/document_list/free/3gpps2011/TS/TS-3GA-23.096(Rel10)v10.0.0.pdf |
| Release 11 | | | | | |
| ATIS | ATIS.3GPP.23.096V1100-2014 | 11.0.0 | Approved | May 14 | https://www.atis.org/docstore/default.aspx |
| TTA | TTAT.3G-23.096(R11-11.0.0) | 11.0.0 | published | Aug 13 | http://www.tta.or.kr/data/ttasDown.jsp?where=14688&pk_num=TTAT.3G-23.096(R11-11.0.0) |
| TTC | TS-3GA-23.096(Rel11)v11.0.0 | 11.0.0 | Approved | Jun 13 | http://www.ttc.or.jp/j/document_list/free/3gpps2013/TS/TS-3GA-23.096(Rel11)v11.0.0.pdf |

5.1.2.12.30 TS 23.108

Mobile radio interface layer 3 specification, core network protocols; Stage 2

This specification describes the procedures used at the radio interface for Call Control (CC), Mobility Management (MM) and Session Management (SM). It contains examples of the structured procedures.

| SDO (2) | Document No. | Version | Status | Issued date | Location (1) |
|-------------------|---------------------------|---------|-----------|-------------|---|
| Release 99 | | | | | |
| ATIS | T1.3GPP.23.108V320-2002 | 3.2.0 | Approved | May 02 | https://www.atis.org/docstore/default.aspx |
| CCSA | CCSA-TSD-DS-23.108 | 3.2.0 | Published | May 00 | http://www.ccsa.org.cn/english/tc/files.php?docpath=/ITU-R/M.1457/M.1457-12/DS |
| ETSI | ETSI TS 123 108 | 3.2.0 | Published | May 00 | http://www.etsi.org/deliver/etsi_ts/123100_123199/123108/03.02.00_60/ |
| TTA | TTAE.3G-23.108(R99) | 3.2.0 | Approved | Dec 01 | http://www.tta.or.kr/data/ttasDown.jsp?where=14688&pk_num=TTAE.3G-23.108(R99) |
| TTC | JP-3GA-23.108(R99) | 3.2.0 | Approved | Oct 00 | http://www.ttc.or.jp/j/document_list/pdf/j/STD/JP-3GA-23.108(R99)v2.pdf |
| Release 4 | | | | | |
| ATIS | T1.3GPP.23.108V401-2004 | 4.0.1 | Approved | May 04 | https://www.atis.org/docstore/default.aspx |
| CCSA | CCSA-TSD-DS-23.108 | 4.0.1 | Published | Jul 02 | http://www.ccsa.org.cn/english/tc/files.php?docpath=/ITU-R/M.1457/M.1457-12/DS |
| ETSI | ETSI TS 123 108 | 4.0.1 | Published | Jul 02 | http://www.etsi.org/deliver/etsi_ts/123100_123199/123108/04.00.01_60/ |
| TTA | TTAT.3G-23.108(R4-4.0.1) | 4.0.1 | Approved | May 04 | http://www.tta.or.kr/data/ttasDown.jsp?where=14688&pk_num=TTAT.3G-23.108(R4-4.0.1) |
| TTC | TS-3GA-23.108(Rel4)v4.0.0 | 4.0.0 | Approved | May 01 | http://www.ttc.or.jp/j/document_list/free/TS/TS-3GA-23.108(Rel4)v4.0.0.pdf |
| Release 5 | | | | | |
| ATIS | T1.3GPP.23.108V500-2003 | 5.0.0 | Approved | Mar 03 | https://www.atis.org/docstore/default.aspx |
| CCSA | CCSA-TSD-DS-23.108 | 5.0.0 | Published | Jul 02 | http://www.ccsa.org.cn/english/tc/files.php?docpath=/ITU-R/M.1457/M.1457-12/DS |
| ETSI | ETSI TS 123 108 | 5.0.0 | Published | Jul 02 | http://www.etsi.org/deliver/etsi_ts/123100_123199/123108/05.00.00_60/ |
| TTA | TTAT.3G-23.108(R5-5.0.0) | 5.0.0 | Approved | Mar 03 | http://www.tta.or.kr/data/ttasDown.jsp?where=14688&pk_num=TTAT.3G-23.108(R5-5.0.0) |
| TTC | TS-3GA-23.108(Rel5)v5.0.0 | 5.0.0 | Approved | Aug 02 | http://www.ttc.or.jp/j/document_list/free/TS/TS-3GA-23.108(Rel5)v5.0.0.pdf |
| Release 6 | | | | | |
| ATIS | ATIS.3GPP.23.108V600-2005 | 6.0.0 | Approved | Apr 05 | https://www.atis.org/docstore/default.aspx |
| CCSA | CCSA-TSD-DS-23.108 | 6.0.0 | Published | Jan 05 | http://www.ccsa.org.cn/english/tc/files.php?docpath=/ITU-R/M.1457/M.1457-12/DS |
| ETSI | ETSI TS 123 108 | 6.0.0 | Published | Jan 05 | http://www.etsi.org/deliver/etsi_ts/123100_123199/123108/06.00.00_60/ |
| TTA | TTAT.3G-23.108(R6-6.0.0) | 6.0.0 | Approved | May 05 | http://www.tta.or.kr/data/ttasDown.jsp?where=14688&pk_num=TTAT.3G-23.108(R6-6.0.0) |
| TTC | TS-3GA-23.108(Rel6)v6.0.0 | 6.0.0 | Approved | Mar 05 | http://www.ttc.or.jp/j/document_list/free/TS/TS-3GA-23.108(Rel6)v6.0.0.pdf |
| Release 7 | | | | | |
| ATIS | ATIS.3GPP.23.108V700-2007 | 7.0.0 | Approved | Oct 07 | https://www.atis.org/docstore/default.aspx |
| CCSA | CCSA-TSD-DS-23.108 | 7.0.0 | Published | Jul 07 | http://www.ccsa.org.cn/english/tc/files.php?docpath=/ITU-R/M.1457/M.1457-12/DS |
| ETSI | ETSI TS 123 108 | 7.0.0 | Published | Jul 07 | http://www.etsi.org/deliver/etsi_ts/123100_123199/123108/07.00.00_60/ |
| TTA | TTAT.3G-23.108(R7-7.0.0) | 7.0.0 | Approved | Dec 07 | http://www.tta.or.kr/data/ttasDown.jsp?where=14688&pk_num=TTAT.3G-23.108(R7-7.0.0) |
| TTC | TS-3GA-23.108(Rel7)v7.0.0 | 7.0.0 | Approved | Mar 08 | http://www.ttc.or.jp/j/document_list/free/TS/TS-3GA-23.108(Rel7)v7.0.0.pdf |
| Release 8 | | | | | |
| ATIS | ATIS.3GPP.23.108V800-2009 | 8.0.0 | Approved | Jul 09 | https://www.atis.org/docstore/default.aspx |
| CCSA | CCSA-TSD-DS-23.108 | 8.0.0 | Published | Jan 09 | http://www.ccsa.org.cn/english/tc/files.php?docpath=/ITU-R/M.1457/M.1457-12/DS |
| ETSI | ETSI TS 123 108 | 8.0.0 | Published | Jan 09 | http://www.etsi.org/deliver/etsi_ts/123100_123199/123108/08.00.00_60/ |
| TTA | TTAT.3G-23.108(R8-8.0.0) | 8.0.0 | Approved | Jul 09 | http://www.tta.or.kr/data/ttasDown.jsp?where=14688&pk_num=TTAT.3G-23.108(R8-8.0.0) |
| TTC | TS-3GA-23.108(Rel8)v8.0.0 | 8.0.0 | Approved | Feb 09 | http://www.ttc.or.jp/j/document_list/free/3gpps2009/TS/TS-3GA-23.108(Rel8)v8.0.0.pdf |
| Release 9 | | | | | |
| ATIS | ATIS.3GPP.23.108V900-2010 | 9.0.0 | Approved | Jul 10 | https://www.atis.org/docstore/default.aspx |
| CCSA | CCSA-TSD-DS-23.108 | 9.0.0 | Published | Mar 10 | http://www.ccsa.org.cn/english/tc/files.php?docpath=/ITU-R/M.1457/M.1457-12/DS |
| ETSI | ETSI TS 123 108 | 9.0.0 | Published | Jan 10 | http://www.etsi.org/deliver/etsi_ts/123100_123199/123108/09.00.00_60/ |
| TTA | TTAT.3G-23.108(R9-9.0.0) | 9.0.0 | Approved | Jul 10 | http://www.tta.or.kr/data/ttasDown.jsp?where=14688&pk_num=TTAT.3G-23.108(R9-9.0.0) |
| TTC | TS-3GA-23.108(Rel9)v9.0.0 | 9.0.0 | Approved | Jul 10 | http://www.ttc.or.jp/j/document_list/free/3gpps2010/TS/TS-3GA-23.108(Rel9)v9.0.0.pdf |

Release 10

| | | | | | |
|------|-----------------------------|--------|-----------|--------|---|
| ATIS | ATIS.3GPP.23.108V1000-2012 | 10.0.0 | Approved | Jul 12 | https://www.atis.org/docstore/default.aspx |
| CCSA | CCSA-TSD-DS-23.108 | 10.0.0 | Published | Jun 12 | http://www.ccsa.org.cn/english/tc/files.php?docpath=/ITU-R/M.1457/M.1457-12/DS |
| ETSI | ETSI TS 123 108 | 10.0.0 | Published | Mar 11 | http://www.etsi.org/deliver/etsi_ts/123100_123199/123108/10.00.00_60/ |
| TTA | TTAT.3G-23.108(R10-10.0.0) | 10.0.0 | Approved | Apr 12 | http://www.tta.or.kr/data/ttasDown.jsp?where=14688&pk_num=TTAT.3G-23.108(R10-10.0.0) |
| TTC | TS-3GA-23.108(Rel10)v10.0.0 | 10.0.0 | Approved | Jun 11 | http://www.ttc.or.jp/j/document_list/free/3gpps2011/TS/TS-3GA-23.108(Rel10)v10.0.0.pdf |

Release 11

| | | | | | |
|------|-----------------------------|--------|-----------|--------|---|
| ATIS | ATIS.3GPP.23.108V1100-2014 | 11.0.0 | Approved | May 14 | https://www.atis.org/docstore/default.aspx |
| CCSA | CCSA-TSD-DS-23.108 | 11.0.0 | Published | Jun 14 | http://www.ccsa.org.cn/english/tc/files.php?docpath=/ITU-R/M.1457/M.1457-12/DS |
| ETSI | ETSI TS 123 108 | 11.0.0 | Published | Nov 12 | http://www.etsi.org/deliver/etsi_ts/123100_123199/123108/11.00.00_60/ |
| TTA | TTAT.3G-23.108(R11-11.0.0) | 11.0.0 | published | Aug 13 | http://www.tta.or.kr/data/ttasDown.jsp?where=14688&pk_num=TTAT.3G-23.108(R11-11.0.0) |
| TTC | TS-3GA-23.108(Rel11)v11.0.0 | 11.0.0 | Approved | Jun 13 | http://www.ttc.or.jp/j/document_list/free/3gpps2013/TS/TS-3GA-23.108(Rel11)v11.0.0.pdf |

5.1.2.12.31 TS 23.110**Universal Mobile Telecommunications System (UMTS) access stratum; Services and functions**

This specification describes the detailed specifications of the protocols which rule the information flows, both control and user data, between the access stratum and the parts of UMTS outside the access stratum, and of the detailed specifications of the UTRAN. These detailed specifications are to be found in other technical specifications.

| SDO (2) | Document No. | Version | Status | Issued date | Location (1) |
|-------------------|---------------------------|---------|-----------|-------------|---|
| Release 99 | | | | | |
| ATIS | T1.3GPP.23.110V340-2002 | 3.4.0 | Approved | May 02 | https://www.atis.org/docstore/default.aspx |
| CCSA | CCSA-TSD-DS-23.110 | 3.4.0 | Published | Jun 12 | http://www.ccsa.org.cn/english/tc/files.php?docpath=/ITU-R/M.1457/M.1457-12/DS |
| CCSA | CCSA-TSD-DS-23.110 | 3.4.0 | Published | May 00 | http://www.ccsa.org.cn/english/tc/files.php?docpath=/ITU-R/M.1457/M.1457-12/DS |
| ETSI | ETSI TS 123 110 | 3.4.0 | Published | May 00 | http://www.etsi.org/deliver/etsi_ts/123100_123199/123110/03.04.00_60/ |
| TTA | TTAE.3G-23.110(R99) | 3.4.0 | Approved | Dec 01 | http://www.tta.or.kr/data/ttasDown.jsp?where=14688&pk_num=TTAE.3G-23.110(R99) |
| TTC | JP-3GA-23.110(R99) | 3.4.0 | Approved | Oct 00 | http://www.ttc.or.jp/j/document_list/pdf/j/STD/JP-3GA-23.110(R99)v2.pdf |
| Release 4 | | | | | |
| ATIS | T1.3GPP.23.110V400-2002 | 4.0.0 | Approved | May 02 | https://www.atis.org/docstore/default.aspx |
| CCSA | CCSA-TSD-DS-23.110 | 4.0.0 | Published | Apr 01 | http://www.ccsa.org.cn/english/tc/files.php?docpath=/ITU-R/M.1457/M.1457-12/DS |
| CCSA | CCSA-TSD-DS-23.110 | 4.0.0 | Published | Jun 12 | http://www.ccsa.org.cn/english/tc/files.php?docpath=/ITU-R/M.1457/M.1457-12/DS |
| ETSI | ETSI TS 123 110 | 4.0.0 | Published | Apr 01 | http://www.etsi.org/deliver/etsi_ts/123100_123199/123110/04.00.00_60/ |
| TTA | TTAE.3G-23.110(R4) | 4.0.0 | Approved | Dec 01 | http://www.tta.or.kr/data/ttasDown.jsp?where=14688&pk_num=TTAE.3G-23.110(R4) |
| TTC | TS-3GA-23.110(Rel4)v4.0.0 | 4.0.0 | Approved | May 01 | http://www.ttc.or.jp/j/document_list/free/TS/TS-3GA-23.110(Rel4)v4.0.0.pdf |
| Release 5 | | | | | |
| ATIS | T1.3GPP.23.110V500-2004 | 5.0.0 | Approved | May 04 | https://www.atis.org/docstore/default.aspx |
| CCSA | CCSA-TSD-DS-23.110 | 5.0.0 | Published | Jun 12 | http://www.ccsa.org.cn/english/tc/files.php?docpath=/ITU-R/M.1457/M.1457-12/DS |
| CCSA | CCSA-TSD-DS-23.110 | 5.0.0 | Published | Dec 03 | http://www.ccsa.org.cn/english/tc/files.php?docpath=/ITU-R/M.1457/M.1457-12/DS |
| ETSI | ETSI TS 123 110 | 5.0.0 | Published | Dec 03 | http://www.etsi.org/deliver/etsi_ts/123100_123199/123110/05.00.00_60/ |
| TTA | TTAT.3G-23.110(R5-5.0.0) | 5.0.0 | Approved | May 04 | http://www.tta.or.kr/data/ttasDown.jsp?where=14688&pk_num=TTAT.3G-23.110(R5-5.0.0) |
| TTC | TS-3GA-23.110(Rel5)v5.0.0 | 5.0.0 | Approved | Feb 04 | http://www.ttc.or.jp/j/document_list/free/TS/TS-3GA-23.110(Rel5)v5.0.0.pdf |

Release 6

| | | | | | |
|------|---------------------------|-------|-----------|--------|---|
| ATIS | ATIS.3GPP.23.110V600-2005 | 6.0.0 | Approved | Apr 05 | https://www.atis.org/docstore/default.aspx |
| CCSA | CCSA-TSD-DS-23.110 | 6.0.0 | Published | Jun 12 | http://www.ccsa.org.cn/english/tc/files.php?docpath=/ITU-R/M.1457/M.1457-12/DS |
| CCSA | CCSA-TSD-DS-23.110 | 6.0.0 | Published | Jan 05 | http://www.ccsa.org.cn/english/tc/files.php?docpath=/ITU-R/M.1457/M.1457-12/DS |
| ETSI | ETSI TS 123 110 | 6.0.0 | Published | Jan 05 | http://www.etsi.org/deliver/etsi_ts/123100_123199/123110/06.00.00_60/ |
| TTA | TTAT.3G-23.110(R6-6.0.0) | 6.0.0 | Approved | May 05 | http://www.tta.or.kr/data/ttasDown.jsp?where=14688&pk_num=TTAT.3G-23.110(R6-6.0.0) |
| TTC | TS-3GA-23.110(Rel6)v6.0.0 | 6.0.0 | Approved | Mar 05 | http://www.ttc.or.jp/j/document_list/free/TS/TS-3GA-23.110(Rel6)v6.0.0.pdf |

Release 7

| | | | | | |
|------|---------------------------|-------|-----------|--------|---|
| ATIS | ATIS.3GPP.23.110V700-2007 | 7.0.0 | Approved | Oct 07 | https://www.atis.org/docstore/default.aspx |
| CCSA | CCSA-TSD-DS-23.110 | 7.0.0 | Published | Jun 12 | http://www.ccsa.org.cn/english/tc/files.php?docpath=/ITU-R/M.1457/M.1457-12/DS |
| CCSA | CCSA-TSD-DS-23.110 | 7.0.0 | Published | Jun 07 | http://www.ccsa.org.cn/english/tc/files.php?docpath=/ITU-R/M.1457/M.1457-12/DS |
| ETSI | ETSI TS 123 110 | 7.0.0 | Published | Jun 07 | http://www.etsi.org/deliver/etsi_ts/123100_123199/123110/07.00.00_60/ |
| TTA | TTAT.3G-23.110(R7-7.0.0) | 7.0.0 | Approved | Dec 07 | http://www.tta.or.kr/data/ttasDown.jsp?where=14688&pk_num=TTAT.3G-23.110(R7-7.0.0) |
| TTC | TS-3GA-23.110(Rel7)v7.0.0 | 7.0.0 | Approved | Mar 08 | http://www.ttc.or.jp/j/document_list/free/TS/TS-3GA-23.110(Rel7)v7.0.0.pdf |

Release 8

| | | | | | |
|------|---------------------------|-------|-----------|--------|---|
| ATIS | ATIS.3GPP.23.110V800-2009 | 8.0.0 | Approved | Jul 09 | https://www.atis.org/docstore/default.aspx |
| CCSA | CCSA-TSD-DS-23.110 | 8.0.0 | Published | Jan 09 | http://www.ccsa.org.cn/english/tc/files.php?docpath=/ITU-R/M.1457/M.1457-12/DS |
| CCSA | CCSA-TSD-DS-23.110 | 8.0.0 | Published | Jun 12 | http://www.ccsa.org.cn/english/tc/files.php?docpath=/ITU-R/M.1457/M.1457-12/DS |
| ETSI | ETSI TS 123 110 | 8.0.0 | Published | Jan 09 | http://www.etsi.org/deliver/etsi_ts/123100_123199/123110/08.00.00_60/ |
| TTA | TTAT.3G-23.110(R8-8.0.0) | 8.0.0 | Approved | Jul 09 | http://www.tta.or.kr/data/ttasDown.jsp?where=14688&pk_num=TTAT.3G-23.110(R8-8.0.0) |
| TTC | TS-3GA-23.110(Rel8)v8.0.0 | 8.0.0 | Approved | Feb 09 | http://www.ttc.or.jp/j/document_list/free/3gpps2009/TS/TS-3GA-23.110(Rel8)v8.0.0.pdf |

Release 9

| | | | | | |
|------|---------------------------|-------|-----------|--------|---|
| ATIS | ATIS.3GPP.23.110V900-2010 | 9.0.0 | Approved | Jul 10 | https://www.atis.org/docstore/default.aspx |
| CCSA | CCSA-TSD-DS-23.110 | 9.0.0 | Published | Jun 12 | http://www.ccsa.org.cn/english/tc/files.php?docpath=/ITU-R/M.1457/M.1457-12/DS |
| CCSA | CCSA-TSD-DS-23.110 | 9.0.0 | Published | Mar 10 | http://www.ccsa.org.cn/english/tc/files.php?docpath=/ITU-R/M.1457/M.1457-12/DS |
| ETSI | ETSI TS 123 110 | 9.0.0 | Published | Jan 10 | http://www.etsi.org/deliver/etsi_ts/123100_123199/123110/09.00.00_60/ |
| TTA | TTAT.3G-23.110(R9-9.0.0) | 9.0.0 | Approved | Jul 10 | http://www.tta.or.kr/data/ttasDown.jsp?where=14688&pk_num=TTAT.3G-23.110(R9-9.0.0) |
| TTC | TS-3GA-23.110(Rel9)v9.0.0 | 9.0.0 | Approved | Jul 10 | http://www.ttc.or.jp/j/document_list/free/3gpps2010/TS/TS-3GA-23.110(Rel9)v9.0.0.pdf |

Release 10

| | | | | | |
|------|-----------------------------|--------|-----------|--------|---|
| ATIS | ATIS.3GPP.23.110V1000-2012 | 10.0.0 | Approved | Jul 12 | https://www.atis.org/docstore/default.aspx |
| CCSA | CCSA-TSD-DS-23.110 | 10.0.0 | Published | Jun 12 | http://www.ccsa.org.cn/english/tc/files.php?docpath=/ITU-R/M.1457/M.1457-12/DS |
| CCSA | CCSA-TSD-DS-23.110 | 10.0.0 | Published | Jun 12 | http://www.ccsa.org.cn/english/tc/files.php?docpath=/ITU-R/M.1457/M.1457-12/DS |
| ETSI | ETSI TS 123 110 | 10.0.0 | Published | Mar 11 | http://www.etsi.org/deliver/etsi_ts/123100_123199/123110/10.00.00_60/ |
| TTA | TTAT.3G-23.110(R10-10.0.0) | 10.0.0 | Approved | Apr 12 | http://www.tta.or.kr/data/ttasDown.jsp?where=14688&pk_num=TTAT.3G-23.110(R10-10.0.0) |
| TTC | TS-3GA-23.110(Rel10)v10.0.0 | 10.0.0 | Approved | Jun 11 | http://www.ttc.or.jp/j/document_list/free/3gpps2011/TS/TS-3GA-23.110(Rel10)v10.0.0.pdf |

Release 11

| | | | | | |
|------|-----------------------------|--------|-----------|--------|---|
| ATIS | ATIS.3GPP.23.110V1100-2014 | 11.0.0 | Approved | May 14 | https://www.atis.org/docstore/default.aspx |
| CCSA | CCSA-TSD-DS-23.110 | 11.0.0 | Published | Jun 14 | http://www.ccsa.org.cn/english/tc/files.php?docpath=/ITU-R/M.1457/M.1457-12/DS |
| ETSI | ETSI TS 123 110 | 11.0.0 | Published | Sep 12 | http://www.etsi.org/deliver/etsi_ts/123100_123199/123110/11.00.00_60/ |
| TTA | TTAT.3G-23.110(R11-11.0.0) | 11.0.0 | published | Aug 13 | http://www.tta.or.kr/data/ttasDown.jsp?where=14688&pk_num=TTAT.3G-23.110(R11-11.0.0) |
| TTC | TS-3GA-23.110(Rel11)v11.0.0 | 11.0.0 | Approved | Jun 13 | http://www.ttc.or.jp/j/document_list/free/3gpps2013/TS/TS-3GA-23.110(Rel11)v11.0.0.pdf |

5.1.2.12.32 TS 23.122

Non-Access-Stratum (NAS) functions related to Mobile Station (MS) in idle mode

This specification provides an overview of the tasks undertaken by a Mobile Station (MS) when in idle mode, that is, switched on but not having a dedicated channel allocated, e.g. not making or receiving a call, or when in group receive mode, that is, receiving a group call or broadcast call but having a dedicated connection. It also describes the corresponding network functions.

| SDO (2) | Document No. | Version | Status | Issued date | Location (1) |
|-------------------|----------------------------|---------|-----------|-------------|---|
| Release 99 | | | | | |
| ATIS | T1.3GPP.23.122V3100-2004 | 3.10.0 | Approved | May 04 | https://www.atis.org/docstore/default.aspx |
| CCSA | CCSA-TSD-DS-23.122 | 3.10.0 | Published | Oct 03 | http://www.ccsa.org.cn/english/tc/files.php?docpath=/ITU-R/M.1457/M.1457-12/DS |
| ETSI | ETSI TS 123 122 | 3.10.0 | Published | Oct 03 | http://www.etsi.org/deliver/etsi_ts/123100_123199/123122/03.10.00_60/ |
| TTA | TTAT.3G-23.122(R99-3.10.0) | 3.10.0 | Approved | May 04 | http://www.tta.or.kr/data/ttasDown.jsp?where=14688&pk_num=TTAT.3G-23.122(R99-3.10.0) |
| TTC | TS-3GA-23.122(R99)v3.10.0 | 3.10.0 | Approved | Nov 03 | http://www.ttc.or.jp/j/document_list/free/TS/TS-3GA-23.122(R99)v3.10.0.pdf |
| Release 4 | | | | | |
| ATIS | T1.3GPP.23.122V440-2004 | 4.4.0 | Approved | May 04 | https://www.atis.org/docstore/default.aspx |
| CCSA | CCSA-TSD-DS-23.122 | 4.4.0 | Published | Oct 03 | http://www.ccsa.org.cn/english/tc/files.php?docpath=/ITU-R/M.1457/M.1457-12/DS |
| ETSI | ETSI TS 123 122 | 4.4.0 | Published | Oct 03 | http://www.etsi.org/deliver/etsi_ts/123100_123199/123122/04.04.00_60/ |
| TTA | TTAT.3G-23.122(R4-4.4.0) | 4.4.0 | Approved | May 04 | http://www.tta.or.kr/data/ttasDown.jsp?where=14688&pk_num=TTAT.3G-23.122(R4-4.4.0) |
| TTC | TS-3GA-23.122(Rel4)v4.4.0 | 4.4.0 | Approved | Nov 03 | http://www.ttc.or.jp/j/document_list/free/TS/TS-3GA-23.122(Rel4)v4.4.0.pdf |
| Release 5 | | | | | |
| ATIS | T1.3GPP.23.122V530-2004 | 5.3.0 | Approved | May 04 | https://www.atis.org/docstore/default.aspx |
| CCSA | CCSA-TSD-DS-23.122 | 5.3.0 | Published | Oct 03 | http://www.ccsa.org.cn/english/tc/files.php?docpath=/ITU-R/M.1457/M.1457-12/DS |
| ETSI | ETSI TS 123 122 | 5.3.0 | Published | Oct 03 | http://www.etsi.org/deliver/etsi_ts/123100_123199/123122/05.03.00_60/ |
| TTA | TTAT.3G-23.122(R5-5.3.0) | 5.3.0 | Approved | May 04 | http://www.tta.or.kr/data/ttasDown.jsp?where=14688&pk_num=TTAT.3G-23.122(R5-5.3.0) |
| TTC | TS-3GA-23.122(Rel5)v5.3.0 | 5.3.0 | Approved | Nov 03 | http://www.ttc.or.jp/j/document_list/free/TS/TS-3GA-23.122(Rel5)v5.3.0.pdf |
| Release 6 | | | | | |
| ATIS | ATIS.3GPP.23.122V650-2006 | 6.5.0 | Approved | Apr 06 | https://www.atis.org/docstore/default.aspx |
| CCSA | CCSA-TSD-DS-23.122 | 6.5.0 | Published | Jun 05 | http://www.ccsa.org.cn/english/tc/files.php?docpath=/ITU-R/M.1457/M.1457-12/DS |
| ETSI | ETSI TS 123 122 | 6.5.0 | Published | Jun 05 | http://www.etsi.org/deliver/etsi_ts/123100_123199/123122/06.05.00_60/ |
| TTA | TTAT.3G-23.122(R6-6.5.0) | 6.5.0 | Approved | Apr 06 | http://www.tta.or.kr/data/ttasDown.jsp?where=14688&pk_num=TTAT.3G-23.122(R6-6.5.0) |
| TTC | TS-3GA-23.122(Rel6)v6.5.0 | 6.5.0 | Approved | Jul 05 | http://www.ttc.or.jp/j/document_list/free/TS/TS-3GA-23.122(Rel6)v6.5.0.pdf |
| Release 7 | | | | | |
| ATIS | ATIS.3GPP.23.122V7121-2008 | 7.12.1 | Approved | Oct 08 | https://www.atis.org/docstore/default.aspx |
| CCSA | CCSA-TSD-DS-23.122 | 7.12.1 | Published | Apr 08 | http://www.ccsa.org.cn/english/tc/files.php?docpath=/ITU-R/M.1457/M.1457-12/DS |
| ETSI | ETSI TS 123 122 | 7.12.1 | Published | Apr 08 | http://www.etsi.org/deliver/etsi_ts/123100_123199/123122/07.12.01_60/ |
| TTA | TTAT.3G-23.122(R7-7.12.1) | 7.12.1 | Approved | Oct 08 | http://www.tta.or.kr/data/ttasDown.jsp?where=14688&pk_num=TTAT.3G-23.122(R7-7.12.1) |
| TTC | TS-3GA-23.122(Rel7)v7.12.1 | 7.12.1 | Approved | Feb 09 | http://www.ttc.or.jp/j/document_list/free/3gpps2009/TS/TS-3GA-23.122(Rel7)v7.12.1.pdf |
| Release 8 | | | | | |
| ATIS | ATIS.3GPP.23.122V8120-2012 | 8.12.0 | Approved | Jul 12 | https://www.atis.org/docstore/default.aspx |
| CCSA | CCSA-TSD-DS-23.122 | 8.12.0 | Published | Jun 12 | http://www.ccsa.org.cn/english/tc/files.php?docpath=/ITU-R/M.1457/M.1457-12/DS |
| ETSI | ETSI TS 123 122 | 8.12.0 | Published | Jun 11 | http://www.etsi.org/deliver/etsi_ts/123100_123199/123122/08.12.00_60/ |
| TTA | TTAT.3G-23.122(R8-8.5.0) | 8.5.0 | Approved | Jul 09 | http://www.tta.or.kr/data/ttasDown.jsp?where=14688&pk_num=TTAT.3G-23.122(R8-8.5.0) |

| | | | | | |
|-------------------|-----------------------------|--------|-----------|--------|---|
| TTC | TS-3GA-23.122(Rel8)v8.12.0 | 8.12.0 | Approved | Aug 11 | http://www.ttc.or.jp/j/document_list/free/3gpps2011/TS/TS-3GA-23.122(Rel8)v8.12.0.pdf |
| Release 9 | | | | | |
| ATIS | ATIS.3GPP.23.122V960-2012 | 9.6.0 | Approved | Jul 12 | https://www.atis.org/docstore/default.aspx |
| CCSA | CCSA-TSD-DS-23.122 | 9.6.0 | Published | Jun 12 | http://www.ccsa.org.cn/english/tc/files.php?docpath=/ITU-R/M.1457/M.1457-12/DS |
| ETSI | ETSI TS 123 122 | 9.6.0 | Published | Jun 11 | http://www.etsi.org/deliver/etsi_ts/123100_123199/123122/09.06.00_60/ |
| TTA | TTAT.3G-23.122(R9-9.2.0) | 9.2.0 | Approved | Jul 10 | http://www.tta.or.kr/data/ttasDown.jsp?where=14688&pk_num=TTAT.3G-23.122(R9-9.2.0) |
| TTC | TS-3GA-23.122(Rel9)v9.6.0 | 9.6.0 | Approved | Aug 11 | http://www.ttc.or.jp/j/document_list/free/3gpps2011/TS/TS-3GA-23.122(Rel9)v9.6.0.pdf |
| Release 10 | | | | | |
| ATIS | ATIS.3GPP.23.122V1050-2012 | 10.5.0 | Approved | Jul 12 | https://www.atis.org/docstore/default.aspx |
| CCSA | CCSA-TSD-DS-23.122 | 10.5.0 | Published | Jun 12 | http://www.ccsa.org.cn/english/tc/files.php?docpath=/ITU-R/M.1457/M.1457-12/DS |
| ETSI | ETSI TS 123 122 | 10.5.0 | Published | Oct 11 | http://www.etsi.org/deliver/etsi_ts/123100_123199/123122/10.05.00_60/ |
| TTA | TTAT.3G-23.122(R10-10.5.0) | 10.5.0 | Approved | Apr 12 | http://www.tta.or.kr/data/ttasDown.jsp?where=14688&pk_num=TTAT.3G-23.122(R10-10.5.0) |
| TTC | TS-3GA-23.122(Rel10)v10.5.0 | 10.5.0 | Approved | Dec 11 | http://www.ttc.or.jp/j/document_list/free/3gpps2011/TS/TS-3GA-23.122(Rel10)v10.5.0.pdf |
| Release 11 | | | | | |
| ATIS | ATIS.3GPP.23.122V1140-2014 | 11.4.0 | Approved | May 14 | https://www.atis.org/docstore/default.aspx |
| CCSA | CCSA-TSD-DS-23.122 | 11.4.0 | Published | Jun 14 | http://www.ccsa.org.cn/english/tc/files.php?docpath=/ITU-R/M.1457/M.1457-12/DS |
| ETSI | ETSI TS 123 122 | 11.4.0 | Published | Jan 13 | http://www.etsi.org/deliver/etsi_ts/123100_123199/123122/11.04.00_60/ |
| TTA | TTAT.3G-23.122(R11-11.4.0) | 11.4.0 | published | Aug 13 | http://www.tta.or.kr/data/ttasDown.jsp?where=14688&pk_num=TTAT.3G-23.122(R11-11.4.0) |
| TTC | TS-3GA-23.122(Rel11)v11.4.0 | 11.4.0 | Approved | Jun 13 | http://www.ttc.or.jp/j/document_list/free/3gpps2013/TS/TS-3GA-23.122(Rel11)v11.4.0.pdf |

5.1.2.12.33 TS 23.142

Value-added Services for SMS (VAS4SMS); Interface and signalling flow

The specification describes the Stage 2 of the VAS4SMS (Value Added Service for SMS). It includes: The logic architecture; The logic elements functionality; The signaling flows; The interaction with other features.

| SDO (2) | Document No. | Version | Status | Issued date | Location (1) |
|-------------------|-----------------------------|---------|-----------|-------------|---|
| Release 9 | | | | | |
| ATIS | ATIS.3GPP.23.142V901-2010 | 9.0.1 | Approved | Jul 10 | https://www.atis.org/docstore/default.aspx |
| CCSA | CCSA-TSD-DS-23.142 | 9.0.1 | Published | Jun 12 | http://www.ccsa.org.cn/english/tc/files.php?docpath=/ITU-R/M.1457/M.1457-12/DS |
| ETSI | ETSI TS 123 142 | 9.0.1 | Published | Jan 10 | http://www.etsi.org/deliver/etsi_ts/123100_123199/123142/09.00.01_60/ |
| TTA | TTAT.3G-23.142(R9-9.0.1) | 9.0.1 | Approved | Jul 10 | http://www.tta.or.kr/data/ttasDown.jsp?where=14688&pk_num=TTAT.3G-23.142(R9-9.0.1) |
| TTC | TS-3GA-23.142(Rel9)v9.0.1 | 9.0.1 | Approved | Jul 10 | http://www.ttc.or.jp/j/document_list/free/3gpps2010/TS/TS-3GA-23.142(Rel9)v9.0.1.pdf |
| Release 10 | | | | | |
| ATIS | ATIS.3GPP.23.142V1000-2012 | 10.0.0 | Approved | Jul 12 | https://www.atis.org/docstore/default.aspx |
| CCSA | CCSA-TSD-DS-23.142 | 10.0.0 | Published | Jun 12 | http://www.ccsa.org.cn/english/tc/files.php?docpath=/ITU-R/M.1457/M.1457-12/DS |
| ETSI | ETSI TS 123 142 | 10.0.0 | Published | May 11 | http://www.etsi.org/deliver/etsi_ts/123100_123199/123142/10.00.00_60/ |
| TTA | TTAT.3G-23.142(R10-10.0.0) | 10.0.0 | Approved | Apr 12 | http://www.tta.or.kr/data/ttasDown.jsp?where=14688&pk_num=TTAT.3G-23.142(R10-10.0.0) |
| TTC | TS-3GA-23.142(Rel10)v10.0.0 | 10.0.0 | Approved | Jun 11 | http://www.ttc.or.jp/j/document_list/free/3gpps2011/TS/TS-3GA-23.142(Rel10)v10.0.0.pdf |
| Release 11 | | | | | |
| ATIS | ATIS.3GPP.23.142V1100-2014 | 11.0.0 | Approved | May 14 | https://www.atis.org/docstore/default.aspx |
| CCSA | CCSA-TSD-DS-23.142 | 11.0.0 | Published | Jun 14 | http://www.ccsa.org.cn/english/tc/files.php?docpath=/ITU-R/M.1457/M.1457-12/DS |
| ETSI | ETSI TS 123 142 | 11.0.0 | Published | Oct 12 | http://www.etsi.org/deliver/etsi_ts/123100_123199/123142/11.00.00_60/ |
| TTA | TTAT.3G-23.142(R11-11.0.0) | 11.0.0 | published | Aug 13 | http://www.tta.or.kr/data/ttasDown.jsp?where=14688&pk_num=TTAT.3G-23.142(R11-11.0.0) |

TTC TS-3GA-23.142(Rel11)v11.0.0 11.0.0 Approved Jun 13 [http://www.ttc.or.jp/j/document_list/free/3gpps2013/TS/TS-3GA-23.142\(Rel11\)v11.0.0.pdf](http://www.ttc.or.jp/j/document_list/free/3gpps2013/TS/TS-3GA-23.142(Rel11)v11.0.0.pdf)

5.1.2.12.34 TS 23.153

Out of band transcoder control; Stage 2

This document specifies the stage 2 description of the Out-of-Band Transcoder Control for speech services. It describes the principles and procedures to support Transcoder Free Operation, Tandem Free Operation and the interworking between TrFO and TFO. Transcoder at the edge is also part of this document.

| SDO (2) | Document No. | Version | Status | Issued date | Location (1) |
|-------------------|-----------------------------|---------|-----------|-------------|---|
| Release 4 | | | | | |
| CCSA | CCSA-TSD-DS-23.153 | 4.14.0 | Published | Jun 12 | http://www.ccsa.org.cn/english/tc/files.php?docpath=/ITU-R/M.1457/M.1457-12/DS |
| ETSI | ETSI TS 123 153 | 4.14.0 | Published | Oct 05 | http://www.etsi.org/deliver/etsi_ts/123100_123199/123153/04.14.00_60/ |
| TTC | TS-3GA-23.153(Rel4)v4.14.0 | 4.14.0 | Approved | Nov 05 | http://www.ttc.or.jp/j/document_list/free/TS/TS-3GA-23.153(Rel4)v4.14.0.pdf |
| Release 5 | | | | | |
| CCSA | CCSA-TSD-DS-23.153 | 5.12.0 | Published | Jun 12 | http://www.ccsa.org.cn/english/tc/files.php?docpath=/ITU-R/M.1457/M.1457-12/DS |
| ETSI | ETSI TS 123 153 | 5.12.0 | Published | Oct 05 | http://www.etsi.org/deliver/etsi_ts/123100_123199/123153/05.12.00_60/ |
| TTC | TS-3GA-23.153(Rel5)v5.12.0 | 5.12.0 | Approved | Nov 05 | http://www.ttc.or.jp/j/document_list/free/TS/TS-3GA-23.153(Rel5)v5.12.0.pdf |
| Release 6 | | | | | |
| CCSA | CCSA-TSD-DS-23.153 | 6.3.0 | Published | Jun 12 | http://www.ccsa.org.cn/english/tc/files.php?docpath=/ITU-R/M.1457/M.1457-12/DS |
| ETSI | ETSI TS 123 153 | 6.3.0 | Published | Oct 05 | http://www.etsi.org/deliver/etsi_ts/123100_123199/123153/06.03.00_60/ |
| TTC | TS-3GA-23.153(Rel6)v6.3.0 | 6.3.0 | Approved | Nov 05 | http://www.ttc.or.jp/j/document_list/free/TS/TS-3GA-23.153(Rel6)v6.3.0.pdf |
| Release 7 | | | | | |
| CCSA | CCSA-TSD-DS-23.153 | 7.2.0 | Published | Jun 12 | http://www.ccsa.org.cn/english/tc/files.php?docpath=/ITU-R/M.1457/M.1457-12/DS |
| ETSI | ETSI TS 123 153 | 7.2.0 | Published | Jul 07 | http://www.etsi.org/deliver/etsi_ts/123100_123199/123153/07.02.00_60/ |
| TTC | TS-3GA-23.153(Rel7)v7.2.0 | 7.2.0 | Approved | Mar 08 | http://www.ttc.or.jp/j/document_list/free/TS/TS-3GA-23.153(Rel7)v7.2.0.pdf |
| Release 8 | | | | | |
| CCSA | CCSA-TSD-DS-23.153 | 8.3.0 | Published | Jun 12 | http://www.ccsa.org.cn/english/tc/files.php?docpath=/ITU-R/M.1457/M.1457-12/DS |
| ETSI | ETSI TS 123 153 | 8.3.0 | Published | Apr 09 | http://www.etsi.org/deliver/etsi_ts/123100_123199/123153/08.03.00_60/ |
| TTC | TS-3GA-23.153(Rel8)v8.3.0 | 8.3.0 | Approved | Jul 09 | http://www.ttc.or.jp/j/document_list/free/3gpps2009/TS/TS-3GA-23.153(Rel8)v8.3.0.pdf |
| Release 9 | | | | | |
| ATIS | ATIS.3GPP.23.153V930-2014 | 9.3.0 | Approved | May 14 | https://www.atis.org/docstore/default.aspx |
| CCSA | CCSA-TSD-DS-23.153 | 9.2.0 | Published | Jun 12 | http://www.ccsa.org.cn/english/tc/files.php?docpath=/ITU-R/M.1457/M.1457-12/DS |
| ETSI | ETSI TS 123 153 | 9.3.0 | Published | Jul 12 | http://www.etsi.org/deliver/etsi_ts/123100_123199/123153/09.03.00_60/ |
| TTA | TTAT.3G-23.153(R9-9.0.0) | 9.0.0 | Approved | Jul 10 | http://www.tta.or.kr/data/ttasDown.jsp?where=14688&pk_num=TTAT.3G-23.153(R9-9.0.0) |
| TTC | TS-3GA-23.153(Rel9)v9.3.0 | 9.3.0 | Approved | Sep 12 | http://www.ttc.or.jp/j/document_list/free/3gpps2011/TS/TS-3GA-23.153(Rel9)v9.2.0.pdf |
| Release 10 | | | | | |
| ATIS | ATIS.3GPP.23.153V1010-2014 | 10.1.0 | Approved | May 14 | https://www.atis.org/docstore/default.aspx |
| CCSA | CCSA-TSD-DS-23.153 | 10.0.0 | Published | Jun 12 | http://www.ccsa.org.cn/english/tc/files.php?docpath=/ITU-R/M.1457/M.1457-12/DS |
| ETSI | ETSI TS 123 153 | 10.1.0 | Published | Jul 12 | http://www.etsi.org/deliver/etsi_ts/123100_123199/123153/10.01.00_60/ |
| TTA | TTAT.3G-23.153(R10-10.0.0) | 10.0.0 | Approved | Apr 12 | http://www.tta.or.kr/data/ttasDown.jsp?where=14688&pk_num=TTAT.3G-23.153(R10-10.0.0) |
| TTC | TS-3GA-23.153(Rel10)v10.1.0 | 10.1.0 | Approved | Sep 12 | http://www.ttc.or.jp/j/document_list/free/3gpps2011/TS/TS-3GA-23.153(Rel10)v10.0.0.pdf |

Release 11

| | | | | | |
|------|-----------------------------|--------|-----------|--------|---|
| ATIS | ATIS.3GPP.23.153V1110-2014 | 11.1.0 | Approved | May 14 | https://www.atis.org/docstore/default.aspx |
| CCSA | CCSA-TSD-DS-23.153 | 11.1.0 | Published | Jun 14 | http://www.ccsa.org.cn/english/tc/files.php?docpath=/ITU-R/M.1457/M.1457-12/DS |
| ETSI | ETSI TS 123 153 | 11.1.0 | Published | Nov 12 | http://www.etsi.org/deliver/etsi_ts/123100_123199/123153/11.01.00_60/ |
| TTA | TTAT.3G-23.153(R11-11.1.0) | 11.1.0 | published | Aug 13 | http://www.tta.or.kr/data/ttasDown.jsp?where=14688&pk_num=TTAT.3G-23.153(R11-11.1.0) |
| TTC | TS-3GA-23.153(Rel11)v11.1.0 | 11.1.0 | Approved | Jun 13 | http://www.ttc.or.jp/j/document_list/free/3gpps2013/TS/TS-3GA-23.153(Rel11)v11.1.0.pdf |

5.1.2.12.35 TS 23.205**Bearer-independent circuit-switched core network; Stage 2**

This document defines the stage 2 description for the bearer independent CS core network. The stage 2 covers the information flow between the GMSC server, MSC server and media gateways. The document shows the CS core network termination of the Iu interface in order to cover the information flow stimulus to the core network and describe the interaction with the supplementary and value added services and capabilities. The protocol used over the Nc interface is an enhanced call control protocol supporting call bearer separation such as BICC. The protocol used over the Mc interface is H.248. SIP-I based CS core network is further specified in 3GPP TS 23.231. Local Call Local Switch (LCLS) functionality is further specified in 3GPP TS 23.284.

This document is applicable only for ATM or IP transport in the CS core network.

| SDO (2) | Document No. | Version | Status | Issued date | Location (1) |
|------------------|----------------------------|---------|-----------|-------------|---|
| Release 4 | | | | | |
| CCSA | CCSA-TSD-DS-23.205 | 4.11.0 | Published | Jun 12 | http://www.ccsa.org.cn/english/tc/files.php?docpath=/ITU-R/M.1457/M.1457-12/DS |
| ETSI | ETSI TS 123 205 | 4.11.0 | Published | Oct 06 | http://www.etsi.org/deliver/etsi_ts/123200_123299/123205/04.11.00_60/ |
| TTC | TS-3GA-23.205(Rel4)v4.11.0 | 4.11.0 | Approved | Mar 07 | http://www.ttc.or.jp/j/document_list/free/TS/TS-3GA-23.205(Rel4)v4.11.0.pdf |
| Release 5 | | | | | |
| CCSA | CCSA-TSD-DS-23.205 | 5.16.0 | Published | Jun 12 | http://www.ccsa.org.cn/english/tc/files.php?docpath=/ITU-R/M.1457/M.1457-12/DS |
| ETSI | ETSI TS 123 205 | 5.16.0 | Published | Apr 08 | http://www.etsi.org/deliver/etsi_ts/123200_123299/123205/05.16.00_60/ |
| TTC | TS-3GA-23.205(Rel5)v5.16.0 | 5.16.0 | Approved | Feb 09 | http://www.ttc.or.jp/j/document_list/free/3gpps2009/TS/TS-3GA-23.205(Rel5)v5.16.0.pdf |
| Release 6 | | | | | |
| CCSA | CCSA-TSD-DS-23.205 | 6.9.0 | Published | Jun 12 | http://www.ccsa.org.cn/english/tc/files.php?docpath=/ITU-R/M.1457/M.1457-12/DS |
| ETSI | ETSI TS 123 205 | 6.9.0 | Published | Apr 08 | http://www.etsi.org/deliver/etsi_ts/123200_123299/123205/06.09.00_60/ |
| TTC | TS-3GA-23.205(Rel6)v6.9.0 | 6.9.0 | Approved | Feb 09 | http://www.ttc.or.jp/j/document_list/free/3gpps2009/TS/TS-3GA-23.205(Rel6)v6.9.0.pdf |
| Release 7 | | | | | |
| CCSA | CCSA-TSD-DS-23.205 | 7.8.0 | Published | Jun 12 | http://www.ccsa.org.cn/english/tc/files.php?docpath=/ITU-R/M.1457/M.1457-12/DS |
| ETSI | ETSI TS 123 205 | 7.8.0 | Published | Apr 08 | http://www.etsi.org/deliver/etsi_ts/123200_123299/123205/07.08.00_60/ |
| TTC | TS-3GA-23.205(Rel7)v7.8.0 | 7.8.0 | Approved | Feb 09 | http://www.ttc.or.jp/j/document_list/free/3gpps2009/TS/TS-3GA-23.205(Rel7)v7.8.0.pdf |
| Release 8 | | | | | |
| CCSA | CCSA-TSD-DS-23.205 | 8.10.0 | Published | Jun 12 | http://www.ccsa.org.cn/english/tc/files.php?docpath=/ITU-R/M.1457/M.1457-12/DS |
| ETSI | ETSI TS 123 205 | 8.10.0 | Published | Jun 11 | http://www.etsi.org/deliver/etsi_ts/123200_123299/123205/08.10.00_60/ |
| TTC | TS-3GA-23.205(Rel8)v8.10.0 | 8.10.0 | Approved | Aug 11 | http://www.ttc.or.jp/j/document_list/free/3gpps2011/TS/TS-3GA-23.205(Rel8)v8.10.0.pdf |
| Release 9 | | | | | |
| ATIS | ATIS.3GPP.23.205V940-2012 | 9.4.0 | Approved | Jul 12 | https://www.atis.org/docstore/default.aspx |
| CCSA | CCSA-TSD-DS-23.205 | 9.4.0 | Published | Jun 12 | http://www.ccsa.org.cn/english/tc/files.php?docpath=/ITU-R/M.1457/M.1457-12/DS |
| ETSI | ETSI TS 123 205 | 9.4.0 | Published | Oct 11 | http://www.etsi.org/deliver/etsi_ts/123200_123299/123205/09.04.00_60/ |

| | | | | | |
|-------------------|-----------------------------|--------|-----------|--------|---|
| TTA | TTAT.3G-23.205(R9-9.0.0) | 9.0.0 | Approved | Jul 10 | http://www.tta.or.kr/data/ttasDown.jsp?where=14688&pk_num=TTAT.3G-23.205(R9-9.0.0) |
| TTC | TS-3GA-23.205(Rel9)v9.4.0 | 9.4.0 | Approved | Dec 11 | http://www.ttc.or.jp/j/document_list/free/3gpps2011/TS/TS-3GA-23.205(Rel9)v9.4.0.pdf |
| Release 10 | | | | | |
| ATIS | ATIS.3GPP.23.205V1020-2012 | 10.2.0 | Approved | Jul 12 | https://www.atis.org/docstore/default.aspx |
| CCSA | CCSA-TSD-DS-23.205 | 10.2.0 | Published | Jun 12 | http://www.ccsa.org.cn/english/tc/files.php?docpath=/ITU-R/M.1457/M.1457-12/DS |
| ETSI | ETSI TS 123 205 | 10.2.0 | Published | Oct 11 | http://www.etsi.org/deliver/etsi_ts/123200_123299/123205/10.02.00_60/ |
| TTA | TTAT.3G-23.205(R10-10.2.0) | 10.2.0 | Approved | Apr 12 | http://www.tta.or.kr/data/ttasDown.jsp?where=14688&pk_num=TTAT.3G-23.205(R10-10.2.0) |
| TTC | TS-3GA-23.205(Rel10)v10.2.0 | 10.2.0 | Approved | Dec 11 | http://www.ttc.or.jp/j/document_list/free/3gpps2011/TS/TS-3GA-23.205(Rel10)v10.2.0.pdf |
| Release 11 | | | | | |
| ATIS | ATIS.3GPP.23.205V1100-2014 | 11.0.0 | Approved | May 14 | https://www.atis.org/docstore/default.aspx |
| CCSA | CCSA-TSD-DS-23.205 | 11.0.0 | Published | Jun 12 | http://www.ccsa.org.cn/english/tc/files.php?docpath=/ITU-R/M.1457/M.1457-12/DS |
| ETSI | ETSI TS 123 205 | 11.0.0 | Published | Nov 12 | http://www.etsi.org/deliver/etsi_ts/123200_123299/123205/11.00.00_60/ |
| TTA | TTAT.3G-23.205(R11-11.0.0) | 11.0.0 | published | Aug 13 | http://www.tta.or.kr/data/ttasDown.jsp?where=14688&pk_num=TTAT.3G-23.205(R11-11.0.0) |
| TTC | TS-3GA-23.205(Rel11)v11.0.0 | 11.0.0 | Approved | Jun 13 | http://www.ttc.or.jp/j/document_list/free/3gpps2013/TS/TS-3GA-23.205(Rel11)v11.0.0.pdf |

5.1.2.12.36 TS 23.218

IP Multimedia (IM) session handling; IM call model; Stage 2

This document specifies the IP Multimedia (IM) Call Model for handling of an IP multimedia session origination and termination for an IP Multimedia subscriber. The document includes interactions between an Application Server and IP multimedia sessions.

| SDO (2) | Document No. | Version | Status | Issued date | Location (1) |
|------------------|----------------------------|---------|-----------|-------------|---|
| Release 5 | | | | | |
| CCSA | CCSA-TSD-DS-23.218 | 5.9.0 | Published | Jun 12 | http://www.ccsa.org.cn/english/tc/files.php?docpath=/ITU-R/M.1457/M.1457-12/DS |
| ETSI | ETSI TS 123 218 | 5.9.0 | Published | Aug 06 | http://www.etsi.org/deliver/etsi_ts/123200_123299/123218/05.09.00_60/ |
| TTC | TS-3GA-23.218(Rel5)v5.9.0 | 5.9.0 | Approved | Mar 07 | http://www.ttc.or.jp/j/document_list/free/TS/TS-3GA-23.218(Rel5)v5.9.0.pdf |
| Release 6 | | | | | |
| CCSA | CCSA-TSD-DS-23.218 | 6.4.0 | Published | Jun 12 | http://www.ccsa.org.cn/english/tc/files.php?docpath=/ITU-R/M.1457/M.1457-12/DS |
| ETSI | ETSI TS 123 218 | 6.4.0 | Published | Aug 06 | http://www.etsi.org/deliver/etsi_ts/123200_123299/123218/06.04.00_60/ |
| TTC | TS-3GA-23.218(Rel6)v6.4.0 | 6.4.0 | Approved | Mar 07 | http://www.ttc.or.jp/j/document_list/free/TS/TS-3GA-23.218(Rel6)v6.4.0.pdf |
| Release 7 | | | | | |
| CCSA | CCSA-TSD-DS-23.218 | 7.10.0 | Published | Jun 12 | http://www.ccsa.org.cn/english/tc/files.php?docpath=/ITU-R/M.1457/M.1457-12/DS |
| ETSI | ETSI TS 123 218 | 7.10.0 | Published | Jan 10 | http://www.etsi.org/deliver/etsi_ts/123200_123299/123218/07.10.00_60/ |
| TTC | TS-3GA-23.218(Rel7)v7.10.0 | 7.10.0 | Approved | Apr 10 | http://www.ttc.or.jp/j/document_list/free/3gpps2010/TS/TS-3GA-23.218(Rel7)v7.10.0.pdf |
| Release 8 | | | | | |
| CCSA | CCSA-TSD-DS-23.218 | 8.6.0 | Published | Jun 12 | http://www.ccsa.org.cn/english/tc/files.php?docpath=/ITU-R/M.1457/M.1457-12/DS |
| ETSI | ETSI TS 123 218 | 8.6.0 | Published | Apr 10 | http://www.etsi.org/deliver/etsi_ts/123200_123299/123218/08.06.00_60/ |
| TTC | TS-3GA-23.218(Rel8)v8.6.0 | 8.6.0 | Approved | Jul 10 | http://www.ttc.or.jp/j/document_list/free/3gpps2010/TS/TS-3GA-23.218(Rel8)v8.6.0.pdf |
| Release 9 | | | | | |
| ATIS | ATIS.3GPP.23.218V920-2012 | 9.2.0 | Approved | Jul 12 | https://www.atis.org/docstore/default.aspx |
| CCSA | CCSA-TSD-DS-23.218 | 9.2.0 | Published | Jun 12 | http://www.ccsa.org.cn/english/tc/files.php?docpath=/ITU-R/M.1457/M.1457-12/DS |
| ETSI | ETSI TS 123 218 | 9.2.0 | Published | Jun 10 | http://www.etsi.org/deliver/etsi_ts/123200_123299/123218/09.02.00_60/ |
| TTA | TTAT.3G-23.218(R9-9.1.0) | 9.1.0 | Approved | Jul 10 | http://www.tta.or.kr/data/ttasDown.jsp?where=14688&pk_num=TTAT.3G-23.218(R9-9.1.0) |

| | | | | | |
|-------------------|-----------------------------|--------|-----------|--------|---|
| TTC | TS-3GA-23.218(Rel9)v9.2.0 | 9.2.0 | Approved | Oct 10 | http://www.ttc.or.jp/j/document_list/free/3gpps2010/TS/TS-3GA-23.218(Rel9)v9.2.0.pdf |
| Release 10 | | | | | |
| ATIS | ATIS.3GPP.23.218V1000-2012 | 10.0.0 | Approved | Jul 12 | https://www.atis.org/docstore/default.aspx |
| CCSA | CCSA-TSD-DS-23.218 | 10.0.0 | Published | Jun 12 | http://www.ccsa.org.cn/english/tc/files.php?docpath=/ITU-R/M.1457/M.1457-12/DS |
| ETSI | ETSI TS 123 218 | 10.0.0 | Published | Mar 11 | http://www.etsi.org/deliver/etsi_ts/123200_123299/123218/10.00.00_60/ |
| TTA | TTAT.3G-23.218(R10-10.0.0) | 10.0.0 | Approved | Apr 12 | http://www.tta.or.kr/data/ttasDown.jsp?where=14688&pk_num=TTAT.3G-23.218(R10-10.0.0) |
| TTC | TS-3GA-23.218(Rel10)v10.0.0 | 10.0.0 | Approved | Jun 11 | http://www.ttc.or.jp/j/document_list/free/3gpps2011/TS/TS-3GA-23.218(Rel10)v10.0.0.pdf |
| Release 11 | | | | | |
| ATIS | ATIS.3GPP.23.218V1150-2014 | 11.5.0 | Approved | May 14 | https://www.atis.org/docstore/default.aspx |
| CCSA | CCSA-TSD-DS-23.218 | 11.6.0 | Published | Jun 14 | http://www.ccsa.org.cn/english/tc/files.php?docpath=/ITU-R/M.1457/M.1457-12/DS |
| ETSI | ETSI TS 123 218 | 11.5.0 | Published | Jan 13 | http://www.etsi.org/deliver/etsi_ts/123200_123299/123218/11.05.00_60/ |
| TTA | TTAT.3G-23.218(R11-11.5.0) | 11.5.0 | published | Aug 13 | http://www.tta.or.kr/data/ttasDown.jsp?where=14688&pk_num=TTAT.3G-23.218(R11-11.5.0) |
| TTC | TS-3GA-23.218(Rel11)v11.5.0 | 11.5.0 | Approved | Jun 13 | http://www.ttc.or.jp/jp/document_list/free/3gpps2013/TS/TS-3GA-23.218(Rel11)v11.5.0.pdf |

5.1.2.12.37 TS 23.227

Application and user interaction in the UE; Principles and specific requirements

This document defines the principles for scheduling UE resources and controlling UE interactions and resolving conflicts between independently running applications in different application execution environment (e.g. MExE, USAT etc.) and internal and external peripherals (e.g. infra-red, Bluetooth, USIM, radio interface, MMI, memory etc.).

| SDO (2) | Document No. | Version | Status | Issued date | Location (1) |
|------------------|--------------------------|---------|-----------|-------------|---|
| Release 4 | | | | | |
| ARIB | ARIB STD-T63-23.227 | 4.2.0 | Approved | Jul 13 | http://www.arib.or.jp/english/html/overview/doc/STD-T63v10_00/2_T63/ARIB-STD-T63/Rel4/23/A23227-420.pdf |
| ATIS | T1.3GPP.23.227V420-2002 | 4.2.0 | Approved | May 02 | https://www.atis.org/docstore/default.aspx |
| CCSA | CCSA-TSD-DS-23.227 | 4.2.0 | Published | Apr 02 | http://www.ccsa.org.cn/english/tc/files.php?docpath=/ITU-R/M.1457/M.1457-12/DS |
| ETSI | ETSI TS 123 227 | 4.2.0 | Published | Apr 02 | http://www.etsi.org/deliver/etsi_ts/123200_123299/123227/04.02.00_60/ |
| TTA | TTAE.3G-23.227(R4-4.2.0) | 4.2.0 | Approved | May 02 | http://www.tta.or.kr/data/ttasDown.jsp?where=14688&pk_num=TTAE.3G-23.227(R4-4.2.0) |
| Release 5 | | | | | |
| ARIB | ARIB STD-T63-23.227 | 5.1.0 | Approved | Jul 13 | http://www.arib.or.jp/english/html/overview/doc/STD-T63v10_00/2_T63/ARIB-STD-T63/Rel5/23/A23227-510.pdf |
| ATIS | T1.3GPP.23.227V510-2002 | 5.1.0 | Approved | May 02 | https://www.atis.org/docstore/default.aspx |
| CCSA | CCSA-TSD-DS-23.227 | 5.1.0 | Published | Apr 02 | http://www.ccsa.org.cn/english/tc/files.php?docpath=/ITU-R/M.1457/M.1457-12/DS |
| ETSI | ETSI TS 123 227 | 5.1.0 | Published | Apr 02 | http://www.etsi.org/deliver/etsi_ts/123200_123299/123227/05.01.00_60/ |
| TTA | TTAE.3G-23.227(R5-5.1.0) | 5.1.0 | Approved | May 02 | http://www.tta.or.kr/data/ttasDown.jsp?where=14688&pk_num=TTAE.3G-23.227(R5-5.1.0) |

5.1.2.12.38 TS 23.231

SIP-I based circuit-switched core network; Stage 2

This document defines the stage 2 description for the SIP-I based CS core network. The logical architecture for the SIP-I based CS core network is defined in 3GPP TS 23.205. Stage 2 covers the information flows between the GMSC server, MSC server and media gateways that are required to support a SIP-I based Nc interface.

The document shows the CS core network termination of the Iu and A interfaces in order to cover the information flow stimulus to the core network and describe the interaction with the supplementary and value added services and capabilities. The Nc interface profile is based on ITU-T Q.1912.5 SIP-I profile C and is specified in 3GPP TS 29.231. The Mc interface profile is based on ITU-T H.248.1 and is specified in 3GPP TS 29.232. Local Call Local Switch (LCLS) functionality is further specified in 3GPP TS 23.284. This document is applicable only for IP transport in the CS core network.

| SDO (2) | Document No. | Version | Status | Issued date | Location (1) |
|-------------------|-----------------------------|---------|-----------|-------------|---|
| Release 8 | | | | | |
| ATIS | ATIS.3GPP.23.231V840-2010 | 8.4.0 | Approved | Jul 10 | https://www.atis.org/docstore/default.aspx |
| CCSA | CCSA-TSD-DS-23.231 | 8.4.0 | Published | Mar 10 | http://www.ccsa.org.cn/english/tc/files.php?docpath=/ITU-R/M.1457/M.1457-12/DS |
| ETSI | ETSI TS 123 231 | 8.4.0 | Published | Jun 09 | http://www.etsi.org/deliver/etsi_ts/123200_123299/123231/08.04.00_60/ |
| TTA | TTAT.3G-23.231(R8-8.3.0) | 8.3.0 | Approved | Jul 09 | http://www.tta.or.kr/data/ttasDown.jsp?where=14688&pk_num=TTAT.3G-23.231(R8-8.3.0) |
| TTC | TS-3GA-23.231(Rel8)v8.4.0 | 8.4.0 | Approved | Oct 09 | http://www.ttc.or.jp/j/document_list/free/3gpps2009/TS/TS-3GA-23.231(Rel8)v8.4.0.pdf |
| Release 9 | | | | | |
| ATIS | ATIS.3GPP.23.231V900-2010 | 9.0.0 | Approved | Jul 10 | https://www.atis.org/docstore/default.aspx |
| CCSA | CCSA-TSD-DS-23.231 | 9.0.0 | Published | Mar 10 | http://www.ccsa.org.cn/english/tc/files.php?docpath=/ITU-R/M.1457/M.1457-12/DS |
| ETSI | ETSI TS 123 231 | 9.0.0 | Published | Feb 10 | http://www.etsi.org/deliver/etsi_ts/123200_123299/123231/09.00.00_60/ |
| TTA | TTAT.3G-23.231(R9-9.0.0) | 9.0.0 | Approved | Jul 10 | http://www.tta.or.kr/data/ttasDown.jsp?where=14688&pk_num=TTAT.3G-23.231(R9-9.0.0) |
| TTC | TS-3GA-23.231(Rel9)v9.0.0 | 9.0.0 | Approved | Jul 10 | http://www.ttc.or.jp/j/document_list/free/3gpps2010/TS/TS-3GA-23.231(Rel9)v9.0.0.pdf |
| Release 10 | | | | | |
| ATIS | ATIS.3GPP.23.231V1000-2012 | 10.0.0 | Approved | Jul 12 | https://www.atis.org/docstore/default.aspx |
| CCSA | CCSA-TSD-DS-23.231 | 10.0.0 | Published | Jun 12 | http://www.ccsa.org.cn/english/tc/files.php?docpath=/ITU-R/M.1457/M.1457-12/DS |
| ETSI | ETSI TS 123 231 | 10.0.0 | Published | Apr 11 | http://www.etsi.org/deliver/etsi_ts/123200_123299/123231/10.00.00_60/ |
| TTA | TTAT.3G-23.231(R10-10.0.0) | 10.0.0 | Approved | Apr 12 | http://www.tta.or.kr/data/ttasDown.jsp?where=14688&pk_num=TTAT.3G-23.231(R10-10.0.0) |
| TTC | TS-3GA-23.231(Rel10)v10.0.0 | 10.0.0 | Approved | Jun 11 | http://www.ttc.or.jp/j/document_list/free/3gpps2011/TS/TS-3GA-23.231(Rel10)v10.0.0.pdf |
| Release 11 | | | | | |
| ATIS | ATIS.3GPP.23.231V1111-2014 | 11.1.1 | Approved | May 14 | https://www.atis.org/docstore/default.aspx |
| CCSA | CCSA-TSD-DS-23.231 | 11.1.1 | Published | Jun 14 | http://www.ccsa.org.cn/english/tc/files.php?docpath=/ITU-R/M.1457/M.1457-12/DS |
| ETSI | ETSI TS 123 231 | 11.1.1 | Published | Nov 12 | http://www.etsi.org/deliver/etsi_ts/123200_123299/123231/11.01.01_60/ |
| TTA | TTAT.3G-23.231(R11-11.1.1) | 11.1.1 | published | Aug 13 | http://www.tta.or.kr/data/ttasDown.jsp?where=14688&pk_num=TTAT.3G-23.231(R11-11.1.1) |
| TTC | TS-3GA-23.231(Rel11)v11.1.1 | 11.1.1 | Approved | Jun 13 | http://www.ttc.or.jp/j/document_list/free/3gpps2013/TS/TS-3GA-23.231(Rel11)v11.1.1.pdf |

5.1.2.12.39 TS 23.259

Personal Network Management (PNM); Procedures and information flows; Stage 2

This document provides the procedure details and the information flows for support of Personal Network Management including the PN UE redirection and PN access control applications enabled by Personal Network Management (PNM).

| SDO (2) | Document No. | Version | Status | Issued date | Location (1) |
|------------------|--------------------|---------|-----------|-------------|---|
| Release 8 | | | | | |
| CCSA | CCSA-TSD-DS-23.259 | 8.2.0 | Published | Jun 12 | http://www.ccsa.org.cn/english/tc/files.php?docpath=/ITU-R/M.1457/M.1457-12/DS |
| ETSI | ETSI TS 123 259 | 8.2.0 | Published | Jan 09 | http://www.etsi.org/deliver/etsi_ts/123200_123299/123259/08.02.00_60/ |

| | | | | | |
|-------------------|-----------------------------|--------|-----------|--------|---|
| TTC | TS-3GA-23.259(Rel8)v8.2.0 | 8.2.0 | Approved | Feb 09 | http://www.ttc.or.jp/j/document_list/free/3gpps2009/TS/TS-3GA-23.259(Rel8)v8.2.0.pdf |
| Release 9 | | | | | |
| ATIS | ATIS.3GPP.23.259V940-2012 | 9.4.0 | Approved | Jul 12 | https://www.atis.org/docstore/default.aspx |
| CCSA | CCSA-TSD-DS-23.259 | 9.4.0 | Published | Jun 12 | http://www.ccsa.org.cn/english/tc/files.php?docpath=/ITU-R/M.1457/M.1457-12/DS |
| ETSI | ETSI TS 123 259 | 9.4.0 | Published | Jun 10 | http://www.etsi.org/deliver/etsi_ts/123200_123299/123259/09.04.00_60/ |
| TTA | TTAT.3G-23.259(R9-9.3.0) | 9.3.0 | Approved | Jul 10 | http://www.tta.or.kr/data/ttasDown.jsp?where=14688&pk_num=TTAT.3G-23.259(R9-9.3.0) |
| TTC | TS-3GA-23.259(Rel9)v9.4.0 | 9.4.0 | Approved | Oct 10 | http://www.ttc.or.jp/j/document_list/free/3gpps2010/TS/TS-3GA-23.259(Rel9)v9.4.0.pdf |
| Release 10 | | | | | |
| ATIS | ATIS.3GPP.23.259V1000-2012 | 10.0.0 | Approved | Jul 12 | https://www.atis.org/docstore/default.aspx |
| CCSA | CCSA-TSD-DS-23.259 | 10.0.0 | Published | Jun 12 | http://www.ccsa.org.cn/english/tc/files.php?docpath=/ITU-R/M.1457/M.1457-12/DS |
| ETSI | ETSI TS 123 259 | 10.0.0 | Published | Mar 11 | http://www.etsi.org/deliver/etsi_ts/123200_123299/123259/10.00.00_60/ |
| TTA | TTAT.3G-23.259(R10-10.0.0) | 10.0.0 | Approved | Apr 12 | http://www.tta.or.kr/data/ttasDown.jsp?where=14688&pk_num=TTAT.3G-23.259(R10-10.0.0) |
| TTC | TS-3GA-23.259(Rel10)v10.0.0 | 10.0.0 | Approved | Jun 11 | http://www.ttc.or.jp/j/document_list/free/3gpps2011/TS/TS-3GA-23.259(Rel10)v10.0.0.pdf |
| Release 11 | | | | | |
| ATIS | ATIS.3GPP.23.259V1100-2014 | 11.0.0 | Approved | May 14 | https://www.atis.org/docstore/default.aspx |
| CCSA | CCSA-TSD-DS-23.259 | 11.0.0 | Published | Jun 14 | http://www.ccsa.org.cn/english/tc/files.php?docpath=/ITU-R/M.1457/M.1457-12/DS |
| ETSI | ETSI TS 123 259 | 11.0.0 | Published | Oct 12 | http://www.etsi.org/deliver/etsi_ts/123200_123299/123259/11.00.00_60/ |
| TTA | TTAT.3G-23.259(R11-11.0.0) | 11.0.0 | published | Aug 13 | http://www.tta.or.kr/data/ttasDown.jsp?where=14688&pk_num=TTAT.3G-23.259(R11-11.0.0) |
| TTC | TS-3GA-23.259(Rel11)v11.0.0 | 11.0.0 | Approved | Jun 13 | http://www.ttc.or.jp/j/document_list/free/3gpps2013/TS/TS-3GA-23.259(Rel11)v11.0.0.pdf |

5.1.2.12.40 TS 23.278

Customized Applications for Mobile network Enhanced Logic (CAMEL) Phase 4; Stage 2; IM CN Interworking

This document specifies the stage 2 description for the Customized Applications for Mobile network Enhanced Logic (CAMEL) feature which provides the mechanisms to support services for the IP Multimedia Core Network (IM CN) Subsystem.

| SDO (2) | Document No. | Version | Status | Issued date | Location (1) |
|------------------|---------------------------|---------|-----------|-------------|---|
| Release 5 | | | | | |
| CCSA | CCSA-TSD-DS-23.278 | 5.6.0 | Published | Jun 12 | http://www.ccsa.org.cn/english/tc/files.php?docpath=/ITU-R/M.1457/M.1457-12/DS |
| ETSI | ETSI TS 123 278 | 5.6.0 | Published | Oct 04 | http://www.etsi.org/deliver/etsi_ts/123200_123299/123278/05.06.00_60/ |
| TTC | TS-3GA-23.278(Rel5)v5.6.0 | 5.6.0 | Approved | Nov 04 | http://www.ttc.or.jp/j/document_list/free/TS/TS-3GA-23.278(Rel5)v5.6.0.pdf |
| Release 6 | | | | | |
| CCSA | CCSA-TSD-DS-23.278 | 6.2.0 | Published | Jun 12 | http://www.ccsa.org.cn/english/tc/files.php?docpath=/ITU-R/M.1457/M.1457-12/DS |
| ETSI | ETSI TS 123 278 | 6.2.0 | Published | Jan 06 | http://www.etsi.org/deliver/etsi_ts/123200_123299/123278/06.02.00_60/ |
| TTC | TS-3GA-23.278(Rel6)v6.2.0 | 6.2.0 | Approved | Feb 06 | http://www.ttc.or.jp/j/document_list/free/TS/TS-3GA-23.278(Rel6)v6.2.0.pdf |
| Release 7 | | | | | |
| CCSA | CCSA-TSD-DS-23.278 | 7.1.0 | Published | Jun 12 | http://www.ccsa.org.cn/english/tc/files.php?docpath=/ITU-R/M.1457/M.1457-12/DS |
| ETSI | ETSI TS 123 278 | 7.1.0 | Published | May 06 | http://www.etsi.org/deliver/etsi_ts/123200_123299/123278/07.01.00_60/ |
| TTC | TS-3GA-23.278(Rel7)v7.1.0 | 7.1.0 | Approved | Mar 08 | http://www.ttc.or.jp/j/document_list/free/TS/TS-3GA-23.278(Rel7)v7.1.0.pdf |
| Release 8 | | | | | |
| CCSA | CCSA-TSD-DS-23.278 | 8.0.0 | Published | Jun 12 | http://www.ccsa.org.cn/english/tc/files.php?docpath=/ITU-R/M.1457/M.1457-12/DS |
| ETSI | ETSI TS 123 278 | 8.0.0 | Published | Jan 09 | http://www.etsi.org/deliver/etsi_ts/123200_123299/123278/08.00.00_60/ |
| TTC | TS-3GA-23.278(Rel8)v8.0.0 | 8.0.0 | Approved | Feb 09 | http://www.ttc.or.jp/j/document_list/free/3gpps2009/TS/TS-3GA-23.278(Rel8)v8.0.0.pdf |

Release 9

| | | | | | |
|------|---------------------------|-------|-----------|--------|---|
| CCSA | CCSA-TSD-DS-23.278 | 9.0.0 | Published | Jun 12 | http://www.ccsa.org.cn/english/tc/files.php?docpath=/ITU-R/M.1457/M.1457-12/DS |
| ETSI | ETSI TS 123 278 | 9.0.0 | Published | Jan 10 | http://www.etsi.org/deliver/etsi_ts/123200_123299/123278/09.00.00_60/ |
| TTC | TS-3GA-23.278(Rel9)v9.0.0 | 9.0.0 | Approved | Jul 10 | http://www.ttc.or.jp/j/document_list/free/3gpps2010/TS/TS-3GA-23.278(Rel9)v9.0.0.pdf |

Release 10

| | | | | | |
|------|-----------------------------|--------|-----------|--------|---|
| ATIS | ATIS.3GPP.23.278V1000-2012 | 10.0.0 | Approved | Jul 12 | https://www.atis.org/docstore/default.aspx |
| CCSA | CCSA-TSD-DS-23.278 | 10.0.0 | Published | Jun 12 | http://www.ccsa.org.cn/english/tc/files.php?docpath=/ITU-R/M.1457/M.1457-12/DS |
| ETSI | ETSI TS 123 278 | 10.0.0 | Published | May 11 | http://www.etsi.org/deliver/etsi_ts/123200_123299/123278/10.00.00_60/ |
| TTA | TTAT.3G-23.278(R10-10.0.0) | 10.0.0 | Approved | Apr 12 | http://www.tta.or.kr/data/ttasDown.jsp?where=14688&pk_num=TTAT.3G-23.278(R10-10.0.0) |
| TTC | TS-3GA-23.278(Rel10)v10.0.0 | 10.0.0 | Approved | Jun 11 | http://www.ttc.or.jp/j/document_list/free/3gpps2011/TS/TS-3GA-23.278(Rel10)v10.0.0.pdf |

Release 11

| | | | | | |
|------|-----------------------------|--------|-----------|--------|---|
| ATIS | ATIS.3GPP.23.278V1101-2014 | 11.0.1 | Approved | May 14 | https://www.atis.org/docstore/default.aspx |
| CCSA | CCSA-TSD-DS-23.278 | 11.0.1 | Published | Jun 14 | http://www.ccsa.org.cn/english/tc/files.php?docpath=/ITU-R/M.1457/M.1457-12/DS |
| ETSI | ETSI TS 123 278 | 11.0.1 | Published | Nov 12 | http://www.etsi.org/deliver/etsi_ts/123200_123299/123278/11.00.01_60/ |
| TTA | TTAT.3G-23.278(R11-11.0.1) | 11.0.1 | published | Aug 13 | http://www.tta.or.kr/data/ttasDown.jsp?where=14688&pk_num=TTAT.3G-23.278(R11-11.0.1) |
| TTC | TS-3GA-23.278(Rel11)v11.0.1 | 11.0.1 | Approved | Jun 13 | http://www.ttc.or.jp/j/document_list/free/3gpps2013/TS/TS-3GA-23.278(Rel11)v11.0.1.pdf |

5.1.2.12.41 TS 23.327**Mobility between 3GPP-Wireless Local Area Network (WLAN) interworking and 3GPP systems**

This document specifies the stage 2 system description for providing mobility between 3GPP Wireless Local Area Network Interworking (I WLAN) and 3GPP Systems. It is to define a technical solution based on the working principles of DSMIPv6 with necessary enhancement of the I WLAN architecture for supporting mobility and roaming between 3GPP WLAN Interworking system and 3GPP Systems so that ongoing 3GPP PS based services can be maintained with minimal impact on the end user's perceived quality on the services at a change of the access network (between I WLAN and 3GPP Access Systems).

| SDO (2) | Document No. | Version | Status | Issued date | Location (1) |
|-------------------|-----------------------------|---------|-----------|-------------|---|
| Release 8 | | | | | |
| TTC | TS-3GA-23.327(Rel8)v8.4.0 | 8.4.0 | Approved | Dec 09 | http://www.ttc.or.jp/j/document_list/free/3gpps2009/TS/TS-3GA-23.327(Rel8)v8.4.0.pdf |
| Release 9 | | | | | |
| TTC | TS-3GA-23.327(Rel9)v9.0.0 | 9.0.0 | Approved | Jul 10 | http://www.ttc.or.jp/j/document_list/free/3gpps2010/TS/TS-3GA-23.327(Rel9)v9.0.0.pdf |
| Release 10 | | | | | |
| TTC | TS-3GA-23.327(Rel10)v10.0.0 | 10.0.0 | Approved | Jun 11 | http://www.ttc.or.jp/j/document_list/free/3gpps2011/TS/TS-3GA-23.327(Rel10)v10.0.0.pdf |
| Release 11 | | | | | |
| ATIS | ATIS.3GPP.23.327V1100-2014 | 11.0.0 | Approved | May 14 | https://www.atis.org/docstore/default.aspx |
| TTA | TTAT.3G-23.327(R11-11.0.0) | 11.0.0 | published | Aug 13 | http://www.tta.or.kr/data/ttasDown.jsp?where=14688&pk_num=TTAT.3G-23.327(R11-11.0.0) |
| TTC | TS-3GA-23.327(Rel11)v11.0.0 | 11.0.0 | Approved | Jun 13 | http://www.ttc.or.jp/j/document_list/free/3gpps2013/TS/TS-3GA-23.327(Rel11)v11.0.0.pdf |

5.1.2.12.42 TS 23.333

Multimedia Resource Function Controller (MRFC) – Multimedia Resource Function Processor (MRFP) Mp interface: Procedures descriptions

This specification describes the functional requirements and information flows that generate procedures between the Multimedia Resource Function Controller (MRFC) and the Multimedia Resource Function Processor (MRFP), the Mp Interface. This specification is limited to information flows relevant to the Mp Interface; in order to define these procedures and make the functional requirements clear some triggers from an external interface may be described; these may be specified within the Mr interface for example or within an AS in which the MRFC function resides. However for the overall stage 2 procedures of IMS. The protocol on the Mp interface is defined to comply with ITU-T H.248.1 Gateway Control Protocol.

| SDO (2) | Document No. | Version | Status | Issued date | Location (1) |
|-------------------|-----------------------------|---------|-----------|-------------|---|
| Release 7 | | | | | |
| CCSA | CCSA-TSD-DS-23.333 | 7.3.1 | Published | Apr 08 | http://www.ccsa.org.cn/english/tc/files.php?docpath=/ITU-R/M.1457/M.1457-12/DS |
| ETSI | ETSI TS 123 333 | 7.3.1 | Published | Apr 08 | http://www.etsi.org/deliver/etsi_ts/123300_123399/123333/07.03.01_60/ |
| TTA | TTAT.3G-23.333(R7-7.3.1) | 7.3.1 | Approved | Oct 08 | http://www.tta.or.kr/data/ttasDown.jsp?where=14688&pk_num=TTAT.3G-23.333(R7-7.3.1) |
| TTC | TS-3GA-23.333(Rel7)v7.3.1 | 7.3.1 | Approved | Feb 09 | http://www.ttc.or.jp/j/document_list/free/3gpps2009/TS/TS-3GA-23.333(Rel7)v7.3.1.pdf |
| Release 8 | | | | | |
| ATIS | ATIS.3GPP.23.333V830-2009 | 8.3.0 | Approved | Jul 09 | https://www.atis.org/docstore/default.aspx |
| CCSA | CCSA-TSD-DS-23.333 | 8.3.0 | Published | Jan 09 | http://www.ccsa.org.cn/english/tc/files.php?docpath=/ITU-R/M.1457/M.1457-12/DS |
| ETSI | ETSI TS 123 333 | 8.3.0 | Published | Jan 09 | http://www.etsi.org/deliver/etsi_ts/123300_123399/123333/08.03.00_60/ |
| TTA | TTAT.3G-23.333(R8-8.3.0) | 8.3.0 | Approved | Jul 09 | http://www.tta.or.kr/data/ttasDown.jsp?where=14688&pk_num=TTAT.3G-23.333(R8-8.3.0) |
| TTC | TS-3GA-23.333(Rel8)v8.3.0 | 8.3.0 | Approved | Feb 09 | http://www.ttc.or.jp/j/document_list/free/3gpps2009/TS/TS-3GA-23.333(Rel8)v8.3.0.pdf |
| Release 9 | | | | | |
| ATIS | ATIS.3GPP.23.333V900-2010 | 9.0.0 | Approved | Jul 10 | https://www.atis.org/docstore/default.aspx |
| CCSA | CCSA-TSD-DS-23.333 | 9.0.0 | Published | Mar 10 | http://www.ccsa.org.cn/english/tc/files.php?docpath=/ITU-R/M.1457/M.1457-12/DS |
| ETSI | ETSI TS 123 333 | 9.0.0 | Published | Jan 10 | http://www.etsi.org/deliver/etsi_ts/123300_123399/123333/09.00.00_60/ |
| TTA | TTAT.3G-23.333(R9-9.0.0) | 9.0.0 | Approved | Jul 10 | http://www.tta.or.kr/data/ttasDown.jsp?where=14688&pk_num=TTAT.3G-23.333(R9-9.0.0) |
| TTC | TS-3GA-23.333(Rel9)v9.0.0 | 9.0.0 | Approved | Jul 10 | http://www.ttc.or.jp/j/document_list/free/3gpps2010/TS/TS-3GA-23.333(Rel9)v9.0.0.pdf |
| Release 10 | | | | | |
| ATIS | ATIS.3GPP.23.333V1050-2014 | 10.5.0 | Approved | May 14 | https://www.atis.org/docstore/default.aspx |
| CCSA | CCSA-TSD-DS-23.333 | 10.3.0 | Published | Jun 12 | http://www.ccsa.org.cn/english/tc/files.php?docpath=/ITU-R/M.1457/M.1457-12/DS |
| ETSI | ETSI TS 123 333 | 10.5.0 | Published | Jan 13 | http://www.etsi.org/deliver/etsi_ts/123300_123399/123333/10.05.00_60/ |
| TTA | TTAT.3G-23.333(R10-10.3.0) | 10.3.0 | Approved | Aug 12 | http://www.tta.or.kr/data/ttasDown.jsp?where=14688&pk_num=TTAT.3G-23.333(R10-10.3.0) |
| TTC | TS-3GA-23.333(Rel10)v10.5.0 | 10.5.0 | Approved | Jun 13 | http://www.ttc.or.jp/j/document_list/free/3gpps2013/TS/TS-3GA-23.333(Rel10)v10.5.0.pdf |
| Release 11 | | | | | |
| ATIS | ATIS.3GPP.23.333V1110-2014 | 11.1.0 | Approved | May 14 | https://www.atis.org/docstore/default.aspx |
| CCSA | CCSA-TSD-DS-23.333 | 11.1.0 | Published | Jun 14 | http://www.ccsa.org.cn/english/tc/files.php?docpath=/ITU-R/M.1457/M.1457-12/DS |
| ETSI | ETSI TS 123 333 | 11.1.0 | Published | Feb 13 | http://www.etsi.org/deliver/etsi_ts/123300_123399/123333/11.01.00_60/ |
| TTA | TTAT.3G-23.333(R11-11.1.0) | 11.1.0 | published | Aug 13 | http://www.tta.or.kr/data/ttasDown.jsp?where=14688&pk_num=TTAT.3G-23.333(R11-11.1.0) |
| TTC | TS-3GA-23.333(Rel11)v11.1.0 | 11.1.0 | Approved | Jun 13 | http://www.ttc.or.jp/j/document_list/free/3gpps2013/TS/TS-3GA-23.333(Rel11)v11.1.0.pdf |

5.1.2.12.43 TS 23.334

IP Multimedia Subsystem (IMS) Application Level Gateway (IMS-ALG) – IMS Access Gateway (IMS-AGW) interface: Procedures descriptions

Annex G of 3GPP TS 23.228 gives out an IMS Application Level Gateway (IMS-ALG) and IMS Access Media Gateway (IMS-AGW) based reference model to support NAPT-PT, gate control and traffic policing between IP-CAN and IMS domain. The Iq reference point is between the P-CSCF (IMS-ALG) and the IMS-AGW. It conveys the necessary information that is needed to allocate, modify and release (IP) transport addresses. This document defines the stage 2 description for the Iq reference point. Stage 2 covers the information flow between the P-CSCF (IMS-ALG) and IMS-AGW. The protocol used over the Iq interface is the gateway control protocol according ITU-T Recommendation H.248 (which is specified for Iq by an H.248 profile according 3GPP TS 29.334).

| SDO (2) | Document No. | Version | Status | Issued date | Location (1) |
|-------------------|-----------------------------|---------|-----------|-------------|---|
| Release 9 | | | | | |
| ATIS | ATIS.3GPP.23.334V930-2012 | 9.3.0 | Approved | Jul 12 | https://www.atis.org/docstore/default.aspx |
| CCSA | CCSA-TSD-DS-23.334 | 9.3.0 | Published | Jun 12 | http://www.ccsa.org.cn/english/tc/files.php?docpath=/ITU-R/M.1457/M.1457-12/DS |
| ETSI | ETSI TS 123 334 | 9.3.0 | Published | Oct 10 | http://www.etsi.org/deliver/etsi_ts/123300_123399/123334/09.03.00_60/ |
| TTA | TTAT.3G-23.334(R9-9.1.0) | 9.1.0 | Approved | Jul 10 | http://www.tta.or.kr/data/ttasDown.jsp?where=14688&pk_num=TTAT.3G-23.334(R9-9.1.0) |
| TTC | TS-3GA-23.334(Rel9)v9.3.0 | 9.3.0 | Approved | Dec 10 | http://www.ttc.or.jp/j/document_list/free/3gpps2010/TS/TS-3GA-23.334(Rel9)v9.3.0.pdf |
| Release 10 | | | | | |
| ATIS | ATIS.3GPP.23.334V1050-2014 | 10.5.0 | Approved | May 14 | https://www.atis.org/docstore/default.aspx |
| CCSA | CCSA-TSD-DS-23.334 | 10.3.0 | Published | Jun 12 | http://www.ccsa.org.cn/english/tc/files.php?docpath=/ITU-R/M.1457/M.1457-12/DS |
| ETSI | ETSI TS 123 334 | 10.5.0 | Published | Jan 13 | http://www.etsi.org/deliver/etsi_ts/123300_123399/123334/10.05.00_60/ |
| TTA | TTAT.3G-23.334(R10-10.3.0) | 10.3.0 | Approved | Aug 12 | http://www.tta.or.kr/data/ttasDown.jsp?where=14688&pk_num=TTAT.3G-23.334(R10-10.3.0) |
| TTC | TS-3GA-23.334(Rel10)v10.5.0 | 10.5.0 | Approved | Jun 13 | http://www.ttc.or.jp/j/document_list/free/3gpps2013/TS/TS-3GA-23.334(Rel10)v10.5.0.pdf |
| Release 11 | | | | | |
| ATIS | ATIS.3GPP.23.334V1120-2014 | 11.2.0 | Approved | May 14 | https://www.atis.org/docstore/default.aspx |
| CCSA | CCSA-TSD-DS-23.334 | 11.2.0 | Published | Jun 14 | http://www.ccsa.org.cn/english/tc/files.php?docpath=/ITU-R/M.1457/M.1457-12/DS |
| ETSI | ETSI TS 123 334 | 11.2.0 | Published | Jan 13 | http://www.etsi.org/deliver/etsi_ts/123300_123399/123334/11.02.00_60/ |
| TTA | TTAT.3G-23.334(R11-11.2.0) | 11.2.0 | published | Aug 13 | http://www.tta.or.kr/data/ttasDown.jsp?where=14688&pk_num=TTAT.3G-23.334(R11-11.2.0) |
| TTC | TS-3GA-23.334(Rel11)v11.2.0 | 11.2.0 | Approved | Jun 13 | http://www.ttc.or.jp/j/document_list/free/3gpps2013/TS/TS-3GA-23.334(Rel11)v11.2.0.pdf |

5.1.2.12.44 TS 23.335

User Data Convergence (UDC); Technical realization and information flows; Stage 2

This document describes the procedures and signalling flows associated to the technical realization of the 3GPP User Data Convergence (UDC). It furthermore indicates some requirements for the Stage 3 specifications. Special consideration is put in the following areas: – reference architecture for the UDC concept; – general description of procedures for the user data manipulation (e.g. create, delete, update, etc.); – identification of the requirements on the UDC for the applicability of the mechanisms described in this document. User data convergence is an optional concept to ensure data consistency and simplify creation of new services by providing easy access to the user data, as well as to ensure the consistency of storage and data models and to have minimum impact on traffic mechanisms, reference points and protocols of network elements.

| SDO (2) | Document No. | Version | Status | Issued date | Location (1) |
|-------------------|-----------------------------|---------|-----------|-------------|---|
| Release 9 | | | | | |
| ATIS | ATIS.3GPP.23.335V930-2012 | 9.3.0 | Approved | Jul 12 | https://www.atis.org/docstore/default.aspx |
| CCSA | CCSA-TSD-DS-23.335 | 9.3.0 | Published | Jun 12 | http://www.ccsa.org.cn/english/tc/files.php?docpath=/ITU-R/M.1457/M.1457-12/DS |
| ETSI | ETSI TS 123 335 | 9.3.0 | Published | Jan 11 | http://www.etsi.org/deliver/etsi_ts/123300_123399/123335/09.03.00_60/ |
| TTA | TTAT.3G-23.335(R9-9.0.0) | 9.0.0 | Approved | Jul 10 | http://www.tta.or.kr/data/ttasDown.jsp?where=14688&pk_num=TTAT.3G-23.335(R9-9.0.0) |
| TTC | TS-3GA-23.335(Rel9)v9.3.0 | 9.3.0 | Approved | Apr 11 | http://www.ttc.or.jp/j/document_list/free/3gpps2011/TS/TS-3GA-23.335(Rel9)v9.3.0.pdf |
| Release 10 | | | | | |
| ATIS | ATIS.3GPP.23.335V1000-2012 | 10.0.0 | Approved | Jul 12 | https://www.atis.org/docstore/default.aspx |
| CCSA | CCSA-TSD-DS-23.335 | 10.0.0 | Published | Jun 12 | http://www.ccsa.org.cn/english/tc/files.php?docpath=/ITU-R/M.1457/M.1457-12/DS |
| ETSI | ETSI TS 123 335 | 10.0.0 | Published | Apr 11 | http://www.etsi.org/deliver/etsi_ts/123300_123399/123335/10.00.00_60/ |
| TTA | TTAT.3G-23.335(R10-10.0.0) | 10.0.0 | Approved | Apr 12 | http://www.tta.or.kr/data/ttasDown.jsp?where=14688&pk_num=TTAT.3G-23.335(R10-10.0.0) |
| TTC | TS-3GA-23.335(Rel10)v10.0.0 | 10.0.0 | Approved | Jun 11 | http://www.ttc.or.jp/j/document_list/free/3gpps2011/TS/TS-3GA-23.335(Rel10)v10.0.0.pdf |
| Release 11 | | | | | |
| ATIS | ATIS.3GPP.23.335V1100-2014 | 11.0.0 | Approved | May 14 | https://www.atis.org/docstore/default.aspx |
| CCSA | CCSA-TSD-DS-23.335 | 11.0.0 | Published | Jun 14 | http://www.ccsa.org.cn/english/tc/files.php?docpath=/ITU-R/M.1457/M.1457-12/DS |
| ETSI | ETSI TS 123 335 | 11.0.0 | Published | Oct 12 | http://www.etsi.org/deliver/etsi_ts/123300_123399/123335/11.00.00_60/ |
| TTA | TTAT.3G-23.335(R11-11.0.0) | 11.0.0 | published | Aug 13 | http://www.tta.or.kr/data/ttasDown.jsp?where=14688&pk_num=TTAT.3G-23.335(R11-11.0.0) |
| TTC | TS-3GA-23.335(Rel11)v11.0.0 | 11.0.0 | Approved | Jun 13 | http://www.ttc.or.jp/j/document_list/free/3gpps2013/TS/TS-3GA-23.335(Rel11)v11.0.0.pdf |

5.1.2.12.45 TS 23.380

IMS Restoration Procedures

This document specifies the IMS procedures required to handle a S-CSCF service interruption scenario with minimum impact to the service to the end user.

| SDO (2) | Document No. | Version | Status | Issued date | Location (1) |
|-------------------|-----------------------------|---------|-----------|-------------|---|
| Release 8 | | | | | |
| CCSA | CCSA-TSD-DS-23.380 | 8.4.0 | Published | Jun 12 | http://www.ccsa.org.cn/english/tc/files.php?docpath=/ITU-R/M.1457/M.1457-12/DS |
| ETSI | ETSI TS 123 380 | 8.5.0 | Published | Oct 12 | http://www.etsi.org/deliver/etsi_ts/123300_123399/123380/08.05.00_60/ |
| TTC | TS-3GA-23.380(Rel8)v8.5.0 | 8.5.0 | Approved | Dec 12 | http://www.ttc.or.jp/j/document_list/free/3gpps2012/TS/TS-3GA-23.380(Rel8)v8.5.0.pdf |
| Release 9 | | | | | |
| ATIS | ATIS.3GPP.23.380V950-2014 | 9.5.0 | Approved | May 14 | https://www.atis.org/docstore/default.aspx |
| CCSA | CCSA-TSD-DS-23.380 | 9.4.0 | Published | Jun 12 | http://www.ccsa.org.cn/english/tc/files.php?docpath=/ITU-R/M.1457/M.1457-12/DS |
| ETSI | ETSI TS 123 380 | 9.5.0 | Published | Oct 12 | http://www.etsi.org/deliver/etsi_ts/123300_123399/123380/09.05.00_60/ |
| TTA | TTAT.3G-23.380(R9-9.1.0) | 9.1.0 | Approved | Jul 10 | http://www.tta.or.kr/data/ttasDown.jsp?where=14688&pk_num=TTAT.3G-23.380(R9-9.1.0) |
| TTC | TS-3GA-23.380(Rel9)v9.5.0 | 9.5.0 | Approved | Dec 12 | http://www.ttc.or.jp/jp/document_list/free/3gpps2012/TS/TS-3GA-23.380(Rel9)v9.5.0.pdf |
| Release 10 | | | | | |
| ATIS | ATIS.3GPP.23.380V1020-2014 | 10.2.0 | Approved | May 14 | https://www.atis.org/docstore/default.aspx |
| CCSA | CCSA-TSD-DS-23.380 | 10.1.0 | Published | Jun 12 | http://www.ccsa.org.cn/english/tc/files.php?docpath=/ITU-R/M.1457/M.1457-12/DS |
| ETSI | ETSI TS 123 380 | 10.2.0 | Published | Oct 12 | http://www.etsi.org/deliver/etsi_ts/123300_123399/123380/10.02.00_60/ |
| TTA | TTAT.3G-23.380(R10-10.1.0) | 10.1.0 | Approved | Apr 12 | http://www.tta.or.kr/data/ttasDown.jsp?where=14688&pk_num=TTAT.3G-23.380(R10-10.1.0) |
| TTC | TS-3GA-23.380(Rel10)v10.2.0 | 10.2.0 | Approved | Dec 12 | http://www.ttc.or.jp/jp/document_list/free/3gpps2012/TS/TS-3GA-23.380(Rel10)v10.2.0.pdf |
| Release 11 | | | | | |

| | | | | | |
|------|-----------------------------|--------|-----------|--------|---|
| ATIS | ATIS.3GPP.23.380V1110-2014 | 11.1.0 | Approved | May 14 | https://www.atis.org/docstore/default.aspx |
| CCSA | CCSA-TSD-DS-23.380 | 11.3.0 | Published | Jun 14 | http://www.ccsa.org.cn/english/tc/files.php?docpath=/ITU-R/M.1457/M.1457-12/DS |
| ETSI | ETSI TS 123 380 | 11.1.0 | Published | Jan 13 | http://www.etsi.org/deliver/etsi_ts/123300_123399/123380/11.01.00_60/ |
| TTA | TTAT.3G-23.380(R11-11.1.0) | 11.1.0 | published | Aug 13 | http://www.tta.or.kr/data/ttasDown.jsp?where=14688&pk_num=TTAT.3G-23.380(R11-11.1.0) |
| TTC | TS-3GA-23.380(Rel11)v11.1.0 | 11.1.0 | Approved | Jun 13 | http://www.ttc.or.jp/jp/document_list/free/3gpps2013/TS/TS-3GA-23.380(Rel11)v11.1.0.pdf |

5.1.2.12.46 TS 24.002

GSM – UMTS Public Land Mobile Network (PLMN) Access Reference Configuration

This document describes the reference configuration for access to a PLMN. A user accesses a PLMN via a number of interfaces, including the MS_BS (in A/Gb mode and GERAN Iu mode), UE-UTRAN (in UTRAN Iu mode) and UE-E-UTRAN interface. The purpose of this document is to indicate the possible access arrangements that may be used in conjunction with the MS-BS (in A/Gb mode and GERAN Iu mode), UE-UTRAN (in UTRAN Iu mode) and UE-E – UTRAN interface.

| SDO (2) | Document No. | Version | Status | Issued date | Location (1) |
|-------------------|---------------------------|---------|-----------|-------------|---|
| Release 99 | | | | | |
| CCSA | CCSA-TSD-DS-24.002 | 3.1.1 | Published | Jun 12 | http://www.ccsa.org.cn/english/tc/files.php?docpath=/ITU-R/M.1457/M.1457-12/DS |
| ETSI | ETSI TS 124 002 | 3.1.1 | Published | Jun 03 | http://www.etsi.org/deliver/etsi_ts/124000_124099/124002/03.01.01_60/ |
| TTC | JP-3GA-24.002(R99) | 3.1.0 | Approved | May 01 | http://www.ttc.or.jp/j/document_list/pdf/j/STD/JP-3GA-24.002(R99)v2.pdf |
| Release 4 | | | | | |
| CCSA | CCSA-TSD-DS-24.002 | 4.1.1 | Published | Jun 12 | http://www.ccsa.org.cn/english/tc/files.php?docpath=/ITU-R/M.1457/M.1457-12/DS |
| ETSI | ETSI TS 124 002 | 4.1.1 | Published | Jun 03 | http://www.etsi.org/deliver/etsi_ts/124000_124099/124002/04.01.01_60/ |
| TTC | TS-3GA-24.002(Rel4)v4.1.0 | 4.1.0 | Approved | May 03 | http://www.ttc.or.jp/j/document_list/free/TS/TS-3GA-24.002(Rel4)v4.1.0.pdf |
| Release 5 | | | | | |
| CCSA | CCSA-TSD-DS-24.002 | 5.1.1 | Published | Jun 12 | http://www.ccsa.org.cn/english/tc/files.php?docpath=/ITU-R/M.1457/M.1457-12/DS |
| ETSI | ETSI TS 124 002 | 5.1.1 | Published | Jun 03 | http://www.etsi.org/deliver/etsi_ts/124000_124099/124002/05.01.01_60/ |
| TTC | TS-3GA-24.002(Rel5)v5.1.0 | 5.1.0 | Approved | May 03 | http://www.ttc.or.jp/j/document_list/free/TS/TS-3GA-24.002(Rel5)v5.1.0.pdf |
| Release 6 | | | | | |
| CCSA | CCSA-TSD-DS-24.002 | 6.0.0 | Published | Jun 12 | http://www.ccsa.org.cn/english/tc/files.php?docpath=/ITU-R/M.1457/M.1457-12/DS |
| ETSI | ETSI TS 124 002 | 6.0.0 | Published | Jan 05 | http://www.etsi.org/deliver/etsi_ts/124000_124099/124002/06.00.00_60/ |
| TTC | TS-3GA-24.002(Rel6)v6.0.0 | 6.0.0 | Approved | Mar 05 | http://www.ttc.or.jp/j/document_list/free/TS/TS-3GA-24.002(Rel6)v6.0.0.pdf |
| Release 7 | | | | | |
| CCSA | CCSA-TSD-DS-24.002 | 7.0.0 | Published | Jun 12 | http://www.ccsa.org.cn/english/tc/files.php?docpath=/ITU-R/M.1457/M.1457-12/DS |
| ETSI | ETSI TS 124 002 | 7.0.0 | Published | Jul 07 | http://www.etsi.org/deliver/etsi_ts/124000_124099/124002/07.00.00_60/ |
| TTC | TS-3GA-24.002(Rel7)v7.0.0 | 7.0.0 | Approved | Mar 08 | http://www.ttc.or.jp/j/document_list/free/TS/TS-3GA-24.002(Rel7)v7.0.0.pdf |
| Release 8 | | | | | |
| CCSA | CCSA-TSD-DS-24.002 | 8.1.0 | Published | Jun 12 | http://www.ccsa.org.cn/english/tc/files.php?docpath=/ITU-R/M.1457/M.1457-12/DS |
| ETSI | ETSI TS 124 002 | 8.1.0 | Published | Mar 09 | http://www.etsi.org/deliver/etsi_ts/124000_124099/124002/08.01.00_60/ |
| TTC | TS-3GA-24.002(Rel8)v8.1.0 | 8.1.0 | Approved | Jul 09 | http://www.ttc.or.jp/j/document_list/free/3gpps2009/TS/TS-3GA-24.002(Rel8)v8.1.0.pdf |
| Release 9 | | | | | |
| CCSA | CCSA-TSD-DS-24.002 | 9.0.0 | Published | Jun 12 | http://www.ccsa.org.cn/english/tc/files.php?docpath=/ITU-R/M.1457/M.1457-12/DS |
| ETSI | ETSI TS 124 002 | 9.0.0 | Published | Jan 10 | http://www.etsi.org/deliver/etsi_ts/124000_124099/124002/09.00.00_60/ |

| | | | | | |
|-------------------|-----------------------------|--------|-----------|--------|---|
| TTC | TS-3GA-24.002(Rel9)v9.0.0 | 9.0.0 | Approved | Jul 10 | http://www.ttc.or.jp/j/document_list/free/3gpps2010/TS/TS-3GA-24.002(Rel9)v9.0.0.pdf |
| Release 10 | | | | | |
| ATIS | ATIS.3GPP.24.002V1000-2012 | 10.0.0 | Approved | Jul 12 | https://www.atis.org/docstore/default.aspx |
| CCSA | CCSA-TSD-DS-24.002 | 10.0.0 | Published | Jun 12 | http://www.ccsa.org.cn/english/tc/files.php?docpath=/ITU-R/M.1457/M.1457-12/DS |
| ETSI | ETSI TS 124 002 | 10.0.0 | Published | Mar 11 | http://www.etsi.org/deliver/etsi_ts/124000_124099/124002/10.00.00_60/ |
| TTA | TTAT.3G-24.002(R10-10.0.0) | 10.0.0 | Approved | Apr 12 | http://www.tta.or.kr/data/ttasDown.jsp?where=14688&pk_num=TTAT.3G-24.002(R10-10.0.0) |
| TTC | TS-3GA-24.002(Rel10)v10.0.0 | 10.0.0 | Approved | Jun 11 | http://www.ttc.or.jp/j/document_list/free/3gpps2011/TS/TS-3GA-24.002(Rel10)v10.0.0.pdf |
| Release 11 | | | | | |
| ATIS | ATIS.3GPP.24.002V1100-2014 | 11.0.0 | Approved | May 14 | https://www.atis.org/docstore/default.aspx |
| CCSA | CCSA-TSD-DS-24.002 | 11.0.0 | Published | Jun 14 | http://www.ccsa.org.cn/english/tc/files.php?docpath=/ITU-R/M.1457/M.1457-12/DS |
| ETSI | ETSI TS 124 002 | 11.0.0 | Published | Oct 12 | http://www.etsi.org/deliver/etsi_ts/124000_124099/124002/11.00.00_60/ |
| TTA | TTAT.3G-24.002(R11-11.0.0) | 11.0.0 | published | Aug 13 | http://www.tta.or.kr/data/ttasDown.jsp?where=14688&pk_num=TTAT.3G-24.002(R11-11.0.0) |
| TTC | TS-3GA-24.002(Rel11)v11.0.0 | 11.0.0 | Approved | Jun 13 | http://www.ttc.or.jp/j/document_list/free/3gpps2013/TS/TS-3GA-24.002(Rel11)v11.0.0.pdf |

5.1.2.12.47 TS 24.007

Mobile radio interface signalling layer 3; General Aspects

This specification describes the principal architecture of Layer 3 and its sub-layers on the GSM Um interface, i.e. the interface between mobile station (MS) and network; for the CM sub-layer, the description is restricted to paradigmatic examples, CC, supplementary services, and short message services for non-general packet radio service (GPRS) services. It also defines the basic message format and error handling applied by the Layer 3 protocols.

| SDO (2) | Document No. | Version | Status | Issued date | Location (1) |
|-------------------|----------------------------|---------|-----------|-------------|---|
| Release 99 | | | | | |
| ATIS | ATIS.3GPP.24.007V3100-2005 | 3.10.0 | Approved | Apr 05 | https://www.atis.org/docstore/default.aspx |
| CCSA | CCSA-TSD-DS-24.007 | 3.10.0 | Published | Jun 04 | http://www.ccsa.org.cn/english/tc/files.php?docpath=/ITU-R/M.1457/M.1457-12/DS |
| ETSI | ETSI TS 124 007 | 3.10.0 | Published | Jun 04 | http://www.etsi.org/deliver/etsi_ts/124000_124099/124007/03.10.00_60/ |
| TTA | TTAT.3G-24.007(R99-3.10.0) | 3.10.0 | Approved | May 05 | http://www.tta.or.kr/data/ttasDown.jsp?where=14688&pk_num=TTAT.3G-24.007(R99-3.10.0) |
| TTC | TS-3GA-24.007(R99)v3.10.0 | 3.10.0 | Approved | Aug 04 | http://www.ttc.or.jp/j/document_list/free/TS/TS-3GA-24.007(R99)v3.10.0.pdf |
| Release 4 | | | | | |
| ATIS | ATIS.3GPP.24.007V440-2005 | 4.4.0 | Approved | Apr 05 | https://www.atis.org/docstore/default.aspx |
| CCSA | CCSA-TSD-DS-24.007 | 4.4.0 | Published | Jan 05 | http://www.ccsa.org.cn/english/tc/files.php?docpath=/ITU-R/M.1457/M.1457-12/DS |
| ETSI | ETSI TS 124 007 | 4.4.0 | Published | Jan 05 | http://www.etsi.org/deliver/etsi_ts/124000_124099/124007/04.04.00_60/ |
| TTA | TTAT.3G-24.007(R4-4.4.0) | 4.4.0 | Approved | May 05 | http://www.tta.or.kr/data/ttasDown.jsp?where=14688&pk_num=TTAT.3G-24.007(R4-4.4.0) |
| TTC | TS-3GA-24.007(Rel4)v4.4.0 | 4.4.0 | Approved | Mar 05 | http://www.ttc.or.jp/j/document_list/free/TS/TS-3GA-24.007(Rel4)v4.4.0.pdf |
| Release 5 | | | | | |
| ATIS | ATIS.3GPP.24.007V540-2006 | 5.4.0 | Approved | Apr 06 | https://www.atis.org/docstore/default.aspx |
| CCSA | CCSA-TSD-DS-24.007 | 5.4.0 | Published | Apr 05 | http://www.ccsa.org.cn/english/tc/files.php?docpath=/ITU-R/M.1457/M.1457-12/DS |
| ETSI | ETSI TS 124 007 | 5.4.0 | Published | Apr 05 | http://www.etsi.org/deliver/etsi_ts/124000_124099/124007/05.04.00_60/ |
| TTA | TTAT.3G-24.007(R5-5.6.0) | 5.6.0 | Approved | Apr 06 | http://www.tta.or.kr/data/ttasDown.jsp?where=14688&pk_num=TTAT.3G-24.007(R5-5.6.0) |
| TTA | TTAT.3G-24.007(R5-5.4.0) | 5.4.0 | Approved | Apr 06 | http://www.tta.or.kr/data/ttasDown.jsp?where=14688&pk_num=TTAT.3G-24.007(R5-5.4.0) |
| TTC | TS-3GA-24.007(Rel5)v5.4.0 | 5.4.0 | Approved | May 05 | http://www.ttc.or.jp/j/document_list/free/TS/TS-3GA-24.007(Rel5)v5.4.0.pdf |
| Release 6 | | | | | |
| ATIS | ATIS.3GPP.24.007V650-2006 | 6.5.0 | Approved | Apr 06 | https://www.atis.org/docstore/default.aspx |

| | | | | | |
|-------------------|-----------------------------|--------|-----------|--------|---|
| CCSA | CCSA-TSD-DS-24.007 | 6.5.0 | Published | Oct 05 | http://www.ccsa.org.cn/english/tc/files.php?docpath=/ITU-R/M.1457/M.1457-12/DS |
| ETSI | ETSI TS 124 007 | 6.5.0 | Published | Oct 05 | http://www.etsi.org/deliver/etsi_ts/124000_124099/124007/06.05.00_60/ |
| TTA | TTAT.3G-24.007(R6-6.5.0) | 6.5.0 | Approved | Apr 06 | http://www.tta.or.kr/data/ttasDown.jsp?where=14688&pk_num=TTAT.3G-24.007(R6-6.5.0) |
| TTA | TTAT.3G-24.007(R6-6.9.0) | 6.9.0 | Approved | Jul 09 | http://www.tta.or.kr/data/ttasDown.jsp?where=14688&pk_num=TTAT.3G-24.007(R6-6.9.0) |
| TTC | TS-3GA-24.007(Rel6)v6.5.0 | 6.5.0 | Approved | Nov 05 | http://www.ttc.or.jp/j/document_list/free/TS/TS-3GA-24.007(Rel6)v6.5.0.pdf |
| Release 7 | | | | | |
| ATIS | ATIS.3GPP.24.007V700-2007 | 7.0.0 | Approved | Oct 07 | https://www.atis.org/docstore/default.aspx |
| CCSA | CCSA-TSD-DS-24.007 | 7.0.0 | Published | Jan 06 | http://www.ccsa.org.cn/english/tc/files.php?docpath=/ITU-R/M.1457/M.1457-12/DS |
| ETSI | ETSI TS 124 007 | 7.0.0 | Published | Jan 06 | http://www.etsi.org/deliver/etsi_ts/124000_124099/124007/07.00.00_60/ |
| TTA | TTAT.3G-24.007(R7-7.5.0) | 7.5.0 | Approved | Jul 09 | http://www.tta.or.kr/data/ttasDown.jsp?where=14688&pk_num=TTAT.3G-24.007(R7-7.5.0) |
| TTA | TTAT.3G-24.007(R7-7.0.0) | 7.0.0 | Approved | Apr 06 | http://www.tta.or.kr/data/ttasDown.jsp?where=14688&pk_num=TTAT.3G-24.007(R7-7.0.0) |
| TTC | TS-3GA-24.007(Rel7)v7.0.0 | 7.0.0 | Approved | Mar 08 | http://www.ttc.or.jp/j/document_list/free/TS/TS-3GA-24.007(Rel7)v7.0.0.pdf |
| Release 8 | | | | | |
| ATIS | ATIS.3GPP.24.007V820-2010 | 8.2.0 | Approved | Jul 10 | https://www.atis.org/docstore/default.aspx |
| CCSA | CCSA-TSD-DS-24.007 | 8.2.0 | Published | Mar 10 | http://www.ccsa.org.cn/english/tc/files.php?docpath=/ITU-R/M.1457/M.1457-12/DS |
| ETSI | ETSI TS 124 007 | 8.2.0 | Published | Jun 09 | http://www.etsi.org/deliver/etsi_ts/124000_124099/124007/08.02.00_60/ |
| TTA | TTAT.3G-24.007(R8-8.1.0) | 8.1.0 | Approved | Jul 09 | http://www.tta.or.kr/data/ttasDown.jsp?where=14688&pk_num=TTAT.3G-24.007(R8-8.1.0) |
| TTA | TTAT.3G-24.007(R8-8.7.0) | 8.7.0 | Approved | Jul 09 | http://www.tta.or.kr/data/ttasDown.jsp?where=14688&pk_num=TTAT.3G-24.007(R8-8.7.0) |
| TTC | TS-3GA-24.007(Rel8)v8.2.0 | 8.2.0 | Approved | Oct 09 | http://www.ttc.or.jp/j/document_list/free/3gpps2009/TS/TS-3GA-24.007(Rel8)v8.2.0.pdf |
| Release 9 | | | | | |
| ATIS | ATIS.3GPP.24.007V900-2010 | 9.0.0 | Approved | Jul 10 | https://www.atis.org/docstore/default.aspx |
| CCSA | CCSA-TSD-DS-24.007 | 9.0.0 | Published | Mar 10 | http://www.ccsa.org.cn/english/tc/files.php?docpath=/ITU-R/M.1457/M.1457-12/DS |
| ETSI | ETSI TS 124 007 | 9.0.0 | Published | Jan 10 | http://www.etsi.org/deliver/etsi_ts/124000_124099/124007/09.00.00_60/ |
| TTA | TTAT.3G-24.007(R9-9.3.0) | 9.3.0 | Approved | Jul 10 | http://www.tta.or.kr/data/ttasDown.jsp?where=14688&pk_num=TTAT.3G-24.007(R9-9.3.0) |
| TTA | TTAT.3G-24.007(R9-9.0.0) | 9.0.0 | Approved | Jul 10 | http://www.tta.or.kr/data/ttasDown.jsp?where=14688&pk_num=TTAT.3G-24.007(R9-9.0.0) |
| TTC | TS-3GA-24.007(Rel9)v9.0.0 | 9.0.0 | Approved | Jul 10 | http://www.ttc.or.jp/j/document_list/free/3gpps2010/TS/TS-3GA-24.007(Rel9)v9.0.0.pdf |
| Release 10 | | | | | |
| ATIS | ATIS.3GPP.24.007V1000-2012 | 10.0.0 | Approved | Jul 12 | https://www.atis.org/docstore/default.aspx |
| CCSA | CCSA-TSD-DS-24.007 | 10.0.0 | Published | Jun 12 | http://www.ccsa.org.cn/english/tc/files.php?docpath=/ITU-R/M.1457/M.1457-12/DS |
| ETSI | ETSI TS 124 007 | 10.0.0 | Published | Mar 11 | http://www.etsi.org/deliver/etsi_ts/124000_124099/124007/10.00.00_60/ |
| TTA | TTAT.3G-24.007(R10-10.0.0) | 10.0.0 | Approved | Apr 12 | http://www.tta.or.kr/data/ttasDown.jsp?where=14688&pk_num=TTAT.3G-24.007(R10-10.0.0) |
| TTC | TS-3GA-24.007(Rel10)v10.0.0 | 10.0.0 | Approved | Jun 11 | http://www.ttc.or.jp/j/document_list/free/3gpps2011/TS/TS-3GA-24.007(Rel10)v10.0.0.pdf |
| Release 11 | | | | | |
| ATIS | ATIS.3GPP.24.007V1100-2014 | 11.0.0 | Approved | May 14 | https://www.atis.org/docstore/default.aspx |
| CCSA | CCSA-TSD-DS-24.007 | 11.0.0 | Published | Jun 14 | http://www.ccsa.org.cn/english/tc/files.php?docpath=/ITU-R/M.1457/M.1457-12/DS |
| ETSI | ETSI TS 124 007 | 11.0.0 | Published | Nov 12 | http://www.etsi.org/deliver/etsi_ts/124000_124099/124007/11.00.00_60/ |
| TTA | TTAT.3G-24.007(R11-11.0.0) | 11.0.0 | published | Aug 13 | http://www.tta.or.kr/data/ttasDown.jsp?where=14688&pk_num=TTAT.3G-24.007(R11-11.0.0) |
| TTC | TS-3GA-24.007(Rel11)v11.0.0 | 11.0.0 | Approved | Jun 13 | http://www.ttc.or.jp/j/document_list/free/3gpps2013/TS/TS-3GA-24.007(Rel11)v11.0.0.pdf |

5.1.2.12.48 TS 24.008

Mobile radio interface Layer 3 specification; Core network protocols; Stage 3

This specification describes the procedures used at the radio interface for Call Control, Mobility Management and Session Management. The procedures

currently described are for the CC of circuit-switched connections, SM for GPRS services, MM and radio resource management for circuit-switched and GPRS services. MBMS is also added.

| SDO (2) | Document No. | Version | Status | Issued date | Location (1) |
|-------------------|----------------------------|---------|-----------|-------------|---|
| Release 99 | | | | | |
| ATIS | ATIS.3GPP.24.008V3200-2006 | 3.20.0 | Approved | Apr 06 | https://www.atis.org/docstore/default.aspx |
| CCSA | CCSA-TSD-DS-24.008 | 3.20.0 | Published | Jan 06 | http://www.ccsa.org.cn/english/tc/files.php?docpath=/ITU-R/M.1457/M.1457-12/DS |
| ETSI | ETSI TS 124 008 | 3.20.0 | Published | Jan 06 | http://www.etsi.org/deliver/etsi_ts/124000_124099/124008/03.20.00_60/ |
| TTA | TTAT.3G-24.008(R99-3.20.0) | 3.20.0 | Approved | Apr 06 | http://www.tta.or.kr/data/ttasDown.jsp?where=14688&pk_num=TTAT.3G-24.008(R99-3.20.0) |
| TTC | TS-3GA-24.008(R99)v3.20.0 | 3.20.0 | Approved | Feb 06 | http://www.ttc.or.jp/j/document_list/free/TS/TS-3GA-24.008(R99)v3.20.0.pdf |
| Release 4 | | | | | |
| ATIS | ATIS.3GPP.24.008V4170-2007 | 4.17.0 | Approved | Oct 07 | https://www.atis.org/docstore/default.aspx |
| CCSA | CCSA-TSD-DS-24.008 | 4.17.0 | Published | Oct 07 | http://www.ccsa.org.cn/english/tc/files.php?docpath=/ITU-R/M.1457/M.1457-12/DS |
| ETSI | ETSI TS 124 008 | 4.17.0 | Published | Oct 07 | http://www.etsi.org/deliver/etsi_ts/124000_124099/124008/04.17.00_60/ |
| TTA | TTAT.3G-24.008(R4-4.17.0) | 4.17.0 | Approved | Dec 07 | http://www.tta.or.kr/data/ttasDown.jsp?where=14688&pk_num=TTAT.3G-24.008(R4-4.17.0) |
| TTC | TS-3GA-24.008(Rel4)v4.17.0 | 4.17.0 | Approved | Mar 08 | http://www.ttc.or.jp/j/document_list/free/TS/TS-3GA-24.008(Rel4)v4.17.0.pdf |
| Release 5 | | | | | |
| ATIS | ATIS.3GPP.24.008V5160-2007 | 5.16.0 | Approved | Oct 07 | https://www.atis.org/docstore/default.aspx |
| CCSA | CCSA-TSD-DS-24.008 | 5.16.0 | Published | Aug 06 | http://www.ccsa.org.cn/english/tc/files.php?docpath=/ITU-R/M.1457/M.1457-12/DS |
| ETSI | ETSI TS 124 008 | 5.16.0 | Published | Aug 06 | http://www.etsi.org/deliver/etsi_ts/124000_124099/124008/05.16.00_60/ |
| TTA | TTAT.3G-24.008(R5-5.16.0) | 5.16.0 | Approved | Dec 07 | http://www.tta.or.kr/data/ttasDown.jsp?where=14688&pk_num=TTAT.3G-24.008(R5-5.16.0) |
| TTC | TS-3GA-24.008(Rel5)v5.16.0 | 5.16.0 | Approved | Mar 07 | http://www.ttc.or.jp/j/document_list/free/TS/TS-3GA-24.008(Rel5)v5.16.0.pdf |
| Release 6 | | | | | |
| ATIS | ATIS.3GPP.24.008V6200-2010 | 6.20.0 | Approved | Jul 10 | https://www.atis.org/docstore/default.aspx |
| CCSA | CCSA-TSD-DS-24.008 | 6.20.0 | Published | Mar 10 | http://www.ccsa.org.cn/english/tc/files.php?docpath=/ITU-R/M.1457/M.1457-12/DS |
| ETSI | ETSI TS 124 008 | 6.20.0 | Published | Apr 10 | http://www.etsi.org/deliver/etsi_ts/124000_124099/124008/06.20.00_60/ |
| TTA | TTAT.3G-24.008(R6-6.19.0) | 6.19.0 | Approved | Oct 08 | http://www.tta.or.kr/data/ttasDown.jsp?where=14688&pk_num=TTAT.3G-24.008(R6-6.19.0) |
| TTC | TS-3GA-24.008(Rel6)v6.20.0 | 6.20.0 | Approved | Jul 10 | http://www.ttc.or.jp/j/document_list/free/3gpps2010/TS/TS-3GA-24.008(Rel6)v6.20.0.pdf |
| Release 7 | | | | | |
| ATIS | ATIS.3GPP.24.008V7150-2010 | 7.15.0 | Approved | Jul 10 | https://www.atis.org/docstore/default.aspx |
| CCSA | CCSA-TSD-DS-24.008 | 7.15.0 | Published | Mar 10 | http://www.ccsa.org.cn/english/tc/files.php?docpath=/ITU-R/M.1457/M.1457-12/DS |
| ETSI | ETSI TS 124 008 | 7.15.0 | Published | Apr 10 | http://www.etsi.org/deliver/etsi_ts/124000_124099/124008/07.15.00_60/ |
| TTA | TTAT.3G-24.008(R7-7.14.0) | 7.14.0 | Approved | Jul 09 | http://www.tta.or.kr/data/ttasDown.jsp?where=14688&pk_num=TTAT.3G-24.008(R7-7.14.0) |
| TTC | TS-3GA-24.008(Rel7)v7.15.0 | 7.15.0 | Approved | Jul 10 | http://www.ttc.or.jp/j/document_list/free/3gpps2010/TS/TS-3GA-24.008(Rel7)v7.15.0.pdf |
| Release 8 | | | | | |
| ATIS | ATIS.3GPP.24.008V8180-2014 | 8.18.0 | Approved | May 14 | https://www.atis.org/docstore/default.aspx |
| CCSA | CCSA-TSD-DS-24.008 | 8.15.0 | Published | Jun 12 | http://www.ccsa.org.cn/english/tc/files.php?docpath=/ITU-R/M.1457/M.1457-12/DS |
| ETSI | ETSI TS 124 008 | 8.18.0 | Published | Nov 12 | http://www.etsi.org/deliver/etsi_ts/124000_124099/124008/08.18.00_60/ |
| TTA | TTAT.3G-24.008(R8-8.5.0) | 8.5.0 | Approved | Jul 09 | http://www.tta.or.kr/data/ttasDown.jsp?where=14688&pk_num=TTAT.3G-24.008(R8-8.5.0) |
| TTC | TS-3GA-24.008(Rel8)v8.18.0 | 8.18.0 | Approved | Dec 12 | http://www.ttc.or.jp/j/document_list/free/3gpps2012/TS/TS-3GA-24.008(Rel8)v8.18.0.pdf |
| Release 9 | | | | | |
| ATIS | ATIS.3GPP.24.008V9120-2014 | 9.12.0 | Approved | May 14 | https://www.atis.org/docstore/default.aspx |
| CCSA | CCSA-TSD-DS-24.008 | 9.9.0 | Published | Jun 12 | http://www.ccsa.org.cn/english/tc/files.php?docpath=/ITU-R/M.1457/M.1457-12/DS |
| ETSI | ETSI TS 124 008 | 9.12.0 | Published | Nov 12 | http://www.etsi.org/deliver/etsi_ts/124000_124099/124008/09.12.00_60/ |

| | | | | | |
|-------------------|------------------------------|---------|-----------|--------|---|
| TTA | TTAT.3G-24.008(R9-9.2.0) | 9.2.0 | Approved | Jul 10 | http://www.tta.or.kr/data/ttasDown.jsp?where=14688&pk_num=TTAT.3G-24.008(R9-9.2.0) |
| TTC | TS-3GA-24.008(Rel9)v9.12.0 | 9.12.0 | Approved | Dec 12 | http://www.ttc.or.jp/j/document_list/free/3gpps2012/TS/TS-3GA-24.008(Rel9)v9.12.0.pdf |
| Release 10 | | | | | |
| ATIS | ATIS.3GPP.24.008V10100- | 10.10.0 | Approved | May 14 | https://www.atis.org/docstore/default.aspx |
| CCSA | CCSA-TSD-DS-24.008 | 10.5.0 | Published | Jun 12 | http://www.ccsa.org.cn/english/tc/files.php?docpath=/ITU-R/M.1457/M.1457-12/DS |
| ETSI | ETSI TS 124 008 | 10.10.0 | Published | Apr 13 | http://www.etsi.org/deliver/etsi_ts/124000_124099/124008/10.10.00_60/ |
| TTA | TTAT.3G-24.008(R10-10.6.1) | 10.6.1 | Approved | Aug 12 | http://www.tta.or.kr/data/ttasDown.jsp?where=14688&pk_num=TTAT.3G-24.008(R10-10.6.1) |
| TTC | TS-3GA-24.008(Rel10)v10.10.0 | 10.10.0 | Approved | Jun 13 | http://www.ttc.or.jp/jp/document_list/free/3gpps2013/TS/TS-3GA-24.008(Rel10)v10.10.0.pdf |
| Release 11 | | | | | |
| ATIS | ATIS.3GPP.24.008V1160-2014 | 11.6.0 | Approved | May 14 | https://www.atis.org/docstore/default.aspx |
| CCSA | CCSA-TSD-DS-24.008 | 11.11.0 | Published | Jun 14 | http://www.ccsa.org.cn/english/tc/files.php?docpath=/ITU-R/M.1457/M.1457-12/DS |
| ETSI | ETSI TS 124 008 | 11.6.0 | Published | Apr 13 | http://www.etsi.org/deliver/etsi_ts/124000_124099/124008/11.06.00_60/ |
| TTA | TTAT.3G-24.008(R11-11.6.0) | 11.6.0 | published | Aug 13 | http://www.tta.or.kr/data/ttasDown.jsp?where=14688&pk_num=TTAT.3G-24.008(R11-11.6.0) |
| TTC | TS-3GA-24.008(Rel11)v11.6.0 | 11.6.0 | Approved | Jun 13 | http://www.ttc.or.jp/jp/document_list/free/3gpps2013/TS/TS-3GA-24.008(Rel11)v11.6.0.pdf |

5.1.2.12.49 TS 24.010

Mobile radio interface layer 3; Supplementary services specification; General aspects

This specification describes the general aspects of the specification of supplementary services at the Layer 3 radio interface. Details will be specified in other TS.

| SDO (2) | Document No. | Version | Status | Issued date | Location (1) |
|-------------------|---------------------------|---------|-----------|-------------|---|
| Release 99 | | | | | |
| ATIS | T1.3GPP.24.010V320-2002 | 3.2.0 | Approved | May 02 | https://www.atis.org/docstore/default.aspx |
| CCSA | CCSA-TSD-DS-24.010 | 3.2.0 | Published | Jan 02 | http://www.ccsa.org.cn/english/tc/files.php?docpath=/ITU-R/M.1457/M.1457-12/DS |
| ETSI | ETSI TS 124 010 | 3.2.0 | Published | Jan 02 | http://www.etsi.org/deliver/etsi_ts/124000_124099/124010/03.02.00_60/ |
| TTA | TTAE.3G-24.010(R99-3.2.0) | 3.2.0 | Approved | May 02 | http://www.tta.or.kr/data/ttasDown.jsp?where=14688&pk_num=TTAE.3G-24.010(R99-3.2.0) |
| TTC | TS-3GA-24.010(R99)v3.2.0 | 3.2.0 | Approved | Feb 02 | http://www.ttc.or.jp/j/document_list/free/TS/TS-3GA-24.010(R99)v3.2.0.pdf |
| Release 4 | | | | | |
| ATIS | T1.3GPP.24.010V420-2002 | 4.2.0 | Approved | May 02 | https://www.atis.org/docstore/default.aspx |
| CCSA | CCSA-TSD-DS-24.010 | 4.2.0 | Published | Jan 02 | http://www.ccsa.org.cn/english/tc/files.php?docpath=/ITU-R/M.1457/M.1457-12/DS |
| ETSI | ETSI TS 124 010 | 4.2.0 | Published | Jan 02 | http://www.etsi.org/deliver/etsi_ts/124000_124099/124010/04.02.00_60/ |
| TTA | TTAE.3G-24.010(R4-4.2.0) | 4.2.0 | Approved | May 02 | http://www.tta.or.kr/data/ttasDown.jsp?where=14688&pk_num=TTAE.3G-24.010(R4-4.2.0) |
| TTC | TS-3GA-24.010(Rel4)v4.2.0 | 4.2.0 | Approved | Feb 02 | http://www.ttc.or.jp/jp/document_list/free/TS/TS-3GA-24.010(Rel4)v4.2.0.pdf |
| Release 5 | | | | | |
| ATIS | T1.3GPP.24.010V500-2003 | 5.0.0 | Approved | Mar 03 | https://www.atis.org/docstore/default.aspx |
| CCSA | CCSA-TSD-DS-24.010 | 5.0.0 | Published | Jul 02 | http://www.ccsa.org.cn/english/tc/files.php?docpath=/ITU-R/M.1457/M.1457-12/DS |
| ETSI | ETSI TS 124 010 | 5.0.0 | Published | Jul 02 | http://www.etsi.org/deliver/etsi_ts/124000_124099/124010/05.00.00_60/ |
| TTA | TTAT.3G-24.010(R5-5.0.0) | 5.0.0 | Approved | Mar 03 | http://www.tta.or.kr/data/ttasDown.jsp?where=14688&pk_num=TTAT.3G-24.010(R5-5.0.0) |
| TTC | TS-3GA-24.010(Rel5)v5.0.0 | 5.0.0 | Approved | Aug 02 | http://www.ttc.or.jp/j/document_list/free/TS/TS-3GA-24.010(Rel5)v5.0.0.pdf |
| Release 6 | | | | | |
| ATIS | ATIS.3GPP.24.010V600-2005 | 6.0.0 | Approved | Apr 05 | https://www.atis.org/docstore/default.aspx |
| CCSA | CCSA-TSD-DS-24.010 | 6.0.0 | Published | Jan 05 | http://www.ccsa.org.cn/english/tc/files.php?docpath=/ITU-R/M.1457/M.1457-12/DS |

| | | | | | |
|-------------------|-----------------------------|--------|-----------|--------|---|
| ETSI | ETSI TS 124 010 | 6.0.0 | Published | Jan 05 | http://www.etsi.org/deliver/etsi_ts/124000_124099/124010/06.00.00_60/ |
| TTA | TTAT.3G-24.010(R6-6.0.0) | 6.0.0 | Approved | May 05 | http://www.tta.or.kr/data/ttasDown.jsp?where=14688&pk_num=TTAT.3G-24.010(R6-6.0.0) |
| TTC | TS-3GA-24.010(Rel6)v6.0.0 | 6.0.0 | Approved | Mar 05 | http://www.ttc.or.jp/j/document_list/free/TS/TS-3GA-24.010(Rel6)v6.0.0.pdf |
| Release 7 | | | | | |
| ATIS | ATIS.3GPP.24.010V700-2007 | 7.0.0 | Approved | Oct 07 | https://www.atis.org/docstore/default.aspx |
| CCSA | CCSA-TSD-DS-24.010 | 7.0.0 | Published | Jul 07 | http://www.ccsa.org.cn/english/tc/files.php?docpath=/ITU-R/M.1457/M.1457-12/DS |
| ETSI | ETSI TS 124 010 | 7.0.0 | Published | Jul 07 | http://www.etsi.org/deliver/etsi_ts/124000_124099/124010/07.00.00_60/ |
| TTA | TTAT.3G-24.010(R7-7.0.0) | 7.0.0 | Approved | Dec 07 | http://www.tta.or.kr/data/ttasDown.jsp?where=14688&pk_num=TTAT.3G-24.010(R7-7.0.0) |
| TTC | TS-3GA-24.010(Rel7)v7.0.0 | 7.0.0 | Approved | Mar 08 | http://www.ttc.or.jp/j/document_list/free/TS/TS-3GA-24.010(Rel7)v7.0.0.pdf |
| Release 8 | | | | | |
| ATIS | ATIS.3GPP.24.010V800-2009 | 8.0.0 | Approved | Jul 09 | https://www.atis.org/docstore/default.aspx |
| CCSA | CCSA-TSD-DS-24.010 | 8.0.0 | Published | Jan 09 | http://www.ccsa.org.cn/english/tc/files.php?docpath=/ITU-R/M.1457/M.1457-12/DS |
| ETSI | ETSI TS 124 010 | 8.0.0 | Published | Jan 09 | http://www.etsi.org/deliver/etsi_ts/124000_124099/124010/08.00.00_60/ |
| TTA | TTAT.3G-24.010(R8-8.0.0) | 8.0.0 | Approved | Jul 09 | http://www.tta.or.kr/data/ttasDown.jsp?where=14688&pk_num=TTAT.3G-24.010(R8-8.0.0) |
| TTC | TS-3GA-24.010(Rel8)v8.0.0 | 8.0.0 | Approved | Feb 09 | http://www.ttc.or.jp/j/document_list/free/3gpps2009/TS/TS-3GA-24.010(Rel8)v8.0.0.pdf |
| Release 9 | | | | | |
| ATIS | ATIS.3GPP.24.010V900-2010 | 9.0.0 | Approved | Jul 10 | https://www.atis.org/docstore/default.aspx |
| CCSA | CCSA-TSD-DS-24.010 | 9.0.0 | Published | Mar 10 | http://www.ccsa.org.cn/english/tc/files.php?docpath=/ITU-R/M.1457/M.1457-12/DS |
| ETSI | ETSI TS 124 010 | 9.0.0 | Published | Jan 10 | http://www.etsi.org/deliver/etsi_ts/124000_124099/124010/09.00.00_60/ |
| TTA | TTAT.3G-24.010(R9-9.0.0) | 9.0.0 | Approved | Jul 10 | http://www.tta.or.kr/data/ttasDown.jsp?where=14688&pk_num=TTAT.3G-24.010(R9-9.0.0) |
| TTC | TS-3GA-24.010(Rel9)v9.0.0 | 9.0.0 | Approved | Jul 10 | http://www.ttc.or.jp/j/document_list/free/3gpps2010/TS/TS-3GA-24.010(Rel9)v9.0.0.pdf |
| Release 10 | | | | | |
| ATIS | ATIS.3GPP.24.010V1010-2012 | 10.1.0 | Approved | Jul 12 | https://www.atis.org/docstore/default.aspx |
| CCSA | CCSA-TSD-DS-24.010 | 10.1.0 | Published | Jun 12 | http://www.ccsa.org.cn/english/tc/files.php?docpath=/ITU-R/M.1457/M.1457-12/DS |
| ETSI | ETSI TS 124 010 | 10.1.0 | Published | Jun 11 | http://www.etsi.org/deliver/etsi_ts/124000_124099/124010/10.01.00_60/ |
| TTA | TTAT.3G-24.010(R10-10.1.0) | 10.1.0 | Approved | Apr 12 | http://www.tta.or.kr/data/ttasDown.jsp?where=14688&pk_num=TTAT.3G-24.010(R10-10.1.0) |
| TTC | TS-3GA-24.010(Rel10)v10.1.0 | 10.1.0 | Approved | Aug 11 | http://www.ttc.or.jp/j/document_list/free/3gpps2011/TS/TS-3GA-24.010(Rel10)v10.1.0.pdf |
| Release 11 | | | | | |
| ATIS | ATIS.3GPP.24.010V1100-2014 | 11.0.0 | Approved | May 14 | https://www.atis.org/docstore/default.aspx |
| CCSA | CCSA-TSD-DS-24.010 | 11.0.0 | Published | Jun 14 | http://www.ccsa.org.cn/english/tc/files.php?docpath=/ITU-R/M.1457/M.1457-12/DS |
| ETSI | ETSI TS 124 010 | 11.0.0 | Published | Oct 12 | http://www.etsi.org/deliver/etsi_ts/124000_124099/124010/11.00.00_60/ |
| TTA | TTAT.3G-24.010(R11-11.0.0) | 11.0.0 | published | Aug 13 | http://www.tta.or.kr/data/ttasDown.jsp?where=14688&pk_num=TTAT.3G-24.010(R11-11.0.0) |
| TTC | TS-3GA-24.010(Rel11)v11.0.0 | 11.0.0 | Approved | Jun 13 | http://www.ttc.or.jp/j/document_list/free/3gpps2013/TS/TS-3GA-24.010(Rel11)v11.0.0.pdf |

5.1.2.12.50 TS 24.011

Point-to-Point (PP) Short Message Service (SMS) support on mobile radio interface

This specification describes the procedures used across the mobile radio interface by the signalling Layer 3 function short message control (SMC) and short message relay (SM-RL) function for both circuit-switched GSM and GPRS.

| SDO (2) | Document No. | Version | Status | Issued date | Location (1) |
|-------------------|-------------------------|---------|-----------|-------------|---|
| Release 99 | | | | | |
| ATIS | T1.3GPP.24.011V360-2002 | 3.6.0 | Approved | May 02 | https://www.atis.org/docstore/default.aspx |
| CCSA | CCSA-TSD-DS-24.011 | 3.6.0 | Published | Apr 01 | http://www.ccsa.org.cn/english/tc/files.php?docpath=/ITU-R/M.1457/M.1457-12/DS |

| | | | | | |
|-------------------|----------------------------|--------|-----------|--------|---|
| ETSI | ETSI TS 124 011 | 3.6.0 | Published | Apr 01 | http://www.etsi.org/deliver/etsi_ts/124000_124099/124011/03.06.00_60/ |
| TTA | TTAE.3G-24.011(R99F) | 3.6.0 | Approved | Dec 01 | http://www.tta.or.kr/data/ttasDown.jsp?where=14688&pk_num=TTAE.3G-24.011(R99F) |
| TTC | TS-3GA-24.011(R99)v3.6.0 | 3.6.0 | Approved | May 01 | http://www.ttc.or.jp/j/document_list/free/TS/TS-3GA-24.011(R99)v3.6.0.pdf |
| Release 4 | | | | | |
| ATIS | T1.3GPP.24.011V411-2003 | 4.1.1 | Approved | Mar 03 | https://www.atis.org/docstore/default.aspx |
| CCSA | CCSA-TSD-DS-24.011 | 4.1.1 | Published | Jul 02 | http://www.ccsa.org.cn/english/tc/files.php?docpath=/ITU-R/M.1457/M.1457-12/DS |
| ETSI | ETSI TS 124 011 | 4.1.1 | Published | Jul 02 | http://www.etsi.org/deliver/etsi_ts/124000_124099/124011/04.01.01_60/ |
| TTA | TTAT.3G-24.011(R4-4.1.1) | 4.1.1 | Approved | Mar 03 | http://www.tta.or.kr/data/ttasDown.jsp?where=14688&pk_num=TTAT.3G-24.011(R4-4.1.1) |
| TTC | TS-3GA-24.011(Rel4)v4.1.0 | 4.1.0 | Approved | May 02 | http://www.ttc.or.jp/j/document_list/free/TS/TS-3GA-24.011(Rel4)v4.1.0.pdf |
| Release 5 | | | | | |
| ATIS | T1.3GPP.24.011V520-2004 | 5.2.0 | Approved | May 04 | https://www.atis.org/docstore/default.aspx |
| CCSA | CCSA-TSD-DS-24.011 | 5.2.0 | Published | Jul 03 | http://www.ccsa.org.cn/english/tc/files.php?docpath=/ITU-R/M.1457/M.1457-12/DS |
| ETSI | ETSI TS 124 011 | 5.2.0 | Published | Jul 03 | http://www.etsi.org/deliver/etsi_ts/124000_124099/124011/05.02.00_60/ |
| TTA | TTAT.3G-24.011(R5-5.2.0) | 5.2.0 | Approved | May 04 | http://www.tta.or.kr/data/ttasDown.jsp?where=14688&pk_num=TTAT.3G-24.011(R5-5.2.0) |
| TTC | TS-3GA-24.011(Rel5)v5.2.0 | 5.2.0 | Approved | Aug 03 | http://www.ttc.or.jp/j/document_list/free/TS/TS-3GA-24.011(Rel5)v5.2.0.pdf |
| Release 6 | | | | | |
| ATIS | ATIS.3GPP.24.011V610-2006 | 6.1.0 | Approved | Apr 06 | https://www.atis.org/docstore/default.aspx |
| CCSA | CCSA-TSD-DS-24.011 | 6.1.0 | Published | Jun 05 | http://www.ccsa.org.cn/english/tc/files.php?docpath=/ITU-R/M.1457/M.1457-12/DS |
| ETSI | ETSI TS 124 011 | 6.1.0 | Published | Jun 05 | http://www.etsi.org/deliver/etsi_ts/124000_124099/124011/06.01.00_60/ |
| TTA | TTAT.3G-24.011(R6-6.1.0) | 6.1.0 | Approved | Apr 06 | http://www.tta.or.kr/data/ttasDown.jsp?where=14688&pk_num=TTAT.3G-24.011(R6-6.1.0) |
| TTC | TS-3GA-24.011(Rel6)v6.1.0 | 6.1.0 | Approved | Jul 05 | http://www.ttc.or.jp/j/document_list/free/TS/TS-3GA-24.011(Rel6)v6.1.0.pdf |
| Release 7 | | | | | |
| ATIS | ATIS.3GPP.24.011V710-2010 | 7.1.0 | Approved | Jul 10 | https://www.atis.org/docstore/default.aspx |
| CCSA | CCSA-TSD-DS-24.011 | 7.1.0 | Published | Mar 10 | http://www.ccsa.org.cn/english/tc/files.php?docpath=/ITU-R/M.1457/M.1457-12/DS |
| ETSI | ETSI TS 124 011 | 7.1.0 | Published | Jun 09 | http://www.etsi.org/deliver/etsi_ts/124000_124099/124011/07.01.00_60/ |
| TTA | TTAT.3G-24.011(R7-7.0.0) | 7.0.0 | Approved | Dec 07 | http://www.tta.or.kr/data/ttasDown.jsp?where=14688&pk_num=TTAT.3G-24.011(R7-7.0.0) |
| TTC | TS-3GA-24.011(Rel7)v7.1.0 | 7.1.0 | Approved | Oct 09 | http://www.ttc.or.jp/j/document_list/free/3gpps2009/TS/TS-3GA-24.011(Rel7)v7.1.0.pdf |
| Release 8 | | | | | |
| ATIS | ATIS.3GPP.24.011V820-2010 | 8.2.0 | Approved | Jul 10 | https://www.atis.org/docstore/default.aspx |
| CCSA | CCSA-TSD-DS-24.011 | 8.2.0 | Published | Mar 10 | http://www.ccsa.org.cn/english/tc/files.php?docpath=/ITU-R/M.1457/M.1457-12/DS |
| ETSI | ETSI TS 124 011 | 8.2.0 | Published | Jun 09 | http://www.etsi.org/deliver/etsi_ts/124000_124099/124011/08.02.00_60/ |
| TTA | TTAT.3G-24.011(R8-8.1.0) | 8.1.0 | Approved | Jul 09 | http://www.tta.or.kr/data/ttasDown.jsp?where=14688&pk_num=TTAT.3G-24.011(R8-8.1.0) |
| TTC | TS-3GA-24.011(Rel8)v8.2.0 | 8.2.0 | Approved | Oct 09 | http://www.ttc.or.jp/j/document_list/free/3gpps2009/TS/TS-3GA-24.011(Rel8)v8.2.0.pdf |
| Release 9 | | | | | |
| ATIS | ATIS.3GPP.24.011V901-2010 | 9.0.1 | Approved | Jul 10 | https://www.atis.org/docstore/default.aspx |
| CCSA | CCSA-TSD-DS-24.011 | 9.0.1 | Published | Mar 10 | http://www.ccsa.org.cn/english/tc/files.php?docpath=/ITU-R/M.1457/M.1457-12/DS |
| ETSI | ETSI TS 124 011 | 9.0.1 | Published | Feb 10 | http://www.etsi.org/deliver/etsi_ts/124000_124099/124011/09.00.01_60/ |
| TTA | TTAT.3G-24.011(R9-9.0.1) | 9.0.1 | Approved | Jul 10 | http://www.tta.or.kr/data/ttasDown.jsp?where=14688&pk_num=TTAT.3G-24.011(R9-9.0.1) |
| TTC | TS-3GA-24.011(Rel9)v9.0.1 | 9.0.1 | Approved | Jul 10 | http://www.ttc.or.jp/j/document_list/free/3gpps2010/TS/TS-3GA-24.011(Rel9)v9.0.1.pdf |
| Release 10 | | | | | |
| ATIS | ATIS.3GPP.24.011V1000-2012 | 10.0.0 | Approved | Jul 12 | https://www.atis.org/docstore/default.aspx |
| CCSA | CCSA-TSD-DS-24.011 | 10.0.0 | Published | Jun 12 | http://www.ccsa.org.cn/english/tc/files.php?docpath=/ITU-R/M.1457/M.1457-12/DS |
| ETSI | ETSI TS 124 011 | 10.0.0 | Published | Mar 11 | http://www.etsi.org/deliver/etsi_ts/124000_124099/124011/10.00.00_60/ |
| TTA | TTAT.3G-24.011(R10-10.0.0) | 10.0.0 | Approved | Apr 12 | http://www.tta.or.kr/data/ttasDown.jsp?where=14688&pk_num=TTAT.3G-24.011(R10-10.0.0) |

| | | | | | |
|-------------------|-----------------------------|--------|-----------|--------|---|
| TTC | TS-3GA-24.011(Rel10)v10.0.0 | 10.0.0 | Approved | Jun 11 | http://www.ttc.or.jp/j/document_list/free/3gpps2011/TS/TS-3GA-24.011(Rel10)v10.0.0.pdf |
| Release 11 | | | | | |
| ATIS | ATIS.3GPP.24.011V1110-2014 | 11.1.0 | Approved | May 14 | https://www.atis.org/docstore/default.aspx |
| CCSA | CCSA-TSD-DS-24.011 | 11.1.0 | Published | Jun 14 | http://www.ccsa.org.cn/english/tc/files.php?docpath=/ITU-R/M.1457/M.1457-12/DS |
| ETSI | ETSI TS 124 011 | 11.1.0 | Published | Oct 12 | http://www.etsi.org/deliver/etsi_ts/124000_124099/124011/11.01.00_60/ |
| TTA | TTAT.3G-24.011(R11-11.1.0) | 11.1.0 | published | Aug 13 | http://www.tta.or.kr/data/ttasDown.jsp?where=14688&pk_num=TTAT.3G-24.011(R11-11.1.0) |
| TTC | TS-3GA-24.011(Rel11)v11.1.0 | 11.1.0 | Approved | Jun 13 | http://www.ttc.or.jp/j/document_list/free/3gpps2013/TS/TS-3GA-24.011(Rel11)v11.1.0.pdf |

5.1.2.12.51 TS 24.022

Radio Link Protocol (RLP) for circuit switched bearer and teleservices

This specification describes the RLP for data transmission over the UMTS public land mobile network (PLMN). RLP covers the Layer 2 functionality of the ISO OSI reference model (IS 7498).

It is based on ideas contained in IS 3309, IS 4335 and IS 7809 (HDLC of ISO) as well as ITU-T Recommendations X.25, Q.921 and Q.922 (LAP-B and LAP-D, respectively). RLP has been tailored to the special needs of digital radio transmission. RLP provides to its users the OSI data link service (IS 8886).

| SDO (2) | Document No. | Version | Status | Issued date | Location (1) |
|-------------------|---------------------------|---------|-----------|-------------|---|
| Release 99 | | | | | |
| ATIS | T1.3GPP.24.022V350-2004 | 3.5.0 | Approved | May 04 | https://www.atis.org/docstore/default.aspx |
| CCSA | CCSA-TSD-DS-24.022 | 3.5.0 | Published | Jul 03 | http://www.ccsa.org.cn/english/tc/files.php?docpath=/ITU-R/M.1457/M.1457-12/DS |
| ETSI | ETSI TS 124 022 | 3.5.0 | Published | Jul 03 | http://www.etsi.org/deliver/etsi_ts/124000_124099/124022/03.05.00_60/ |
| TTA | TTAT.3G-24.022(R99-3.5.0) | 3.5.0 | Approved | May 04 | http://www.tta.or.kr/data/ttasDown.jsp?where=14688&pk_num=TTAT.3G-24.022(R99-3.5.0) |
| TTC | TS-3GA-24.022(R99)v3.5.0 | 3.5.0 | Approved | Aug 03 | http://www.ttc.or.jp/j/document_list/free/TS/TS-3GA-24.022(R99)v3.5.0.pdf |
| Release 4 | | | | | |
| ATIS | T1.3GPP.24.022V410-2004 | 4.1.0 | Approved | May 04 | https://www.atis.org/docstore/default.aspx |
| CCSA | CCSA-TSD-DS-24.022 | 4.1.0 | Published | Jul 03 | http://www.ccsa.org.cn/english/tc/files.php?docpath=/ITU-R/M.1457/M.1457-12/DS |
| ETSI | ETSI TS 124 022 | 4.1.0 | Published | Jul 03 | http://www.etsi.org/deliver/etsi_ts/124000_124099/124022/04.01.00_60/ |
| TTA | TTAT.3G-24.022(R4-4.1.0) | 4.1.0 | Approved | May 04 | http://www.tta.or.kr/data/ttasDown.jsp?where=14688&pk_num=TTAT.3G-24.022(R4-4.1.0) |
| TTC | TS-3GA-24.022(Rel4)v4.1.0 | 4.1.0 | Approved | Aug 03 | http://www.ttc.or.jp/j/document_list/free/TS/TS-3GA-24.022(Rel4)v4.1.0.pdf |
| Release 5 | | | | | |
| ATIS | T1.3GPP.24.022V550-2004 | 5.5.0 | Approved | May 04 | https://www.atis.org/docstore/default.aspx |
| CCSA | CCSA-TSD-DS-24.022 | 5.5.0 | Published | Jan 04 | http://www.ccsa.org.cn/english/tc/files.php?docpath=/ITU-R/M.1457/M.1457-12/DS |
| ETSI | ETSI TS 124 022 | 5.5.0 | Published | Jan 04 | http://www.etsi.org/deliver/etsi_ts/124000_124099/124022/05.05.00_60/ |
| TTA | TTAT.3G-24.022(R5-5.5.0) | 5.5.0 | Approved | May 04 | http://www.tta.or.kr/data/ttasDown.jsp?where=14688&pk_num=TTAT.3G-24.022(R5-5.5.0) |
| TTC | TS-3GA-24.022(Rel5)v5.5.0 | 5.5.0 | Approved | Feb 04 | http://www.ttc.or.jp/j/document_list/free/TS/TS-3GA-24.022(Rel5)v5.5.0.pdf |
| Release 6 | | | | | |
| ATIS | ATIS.3GPP.24.022V600-2005 | 6.0.0 | Approved | Apr 05 | https://www.atis.org/docstore/default.aspx |
| CCSA | CCSA-TSD-DS-24.022 | 6.0.0 | Published | Jan 05 | http://www.ccsa.org.cn/english/tc/files.php?docpath=/ITU-R/M.1457/M.1457-12/DS |
| ETSI | ETSI TS 124 022 | 6.0.0 | Published | Jan 05 | http://www.etsi.org/deliver/etsi_ts/124000_124099/124022/06.00.00_60/ |
| TTA | TTAT.3G-24.022(R6-6.0.0) | 6.0.0 | Approved | May 05 | http://www.tta.or.kr/data/ttasDown.jsp?where=14688&pk_num=TTAT.3G-24.022(R6-6.0.0) |
| TTC | TS-3GA-24.022(Rel6)v6.0.0 | 6.0.0 | Approved | Mar 05 | http://www.ttc.or.jp/j/document_list/free/TS/TS-3GA-24.022(Rel6)v6.0.0.pdf |
| Release 7 | | | | | |
| ATIS | ATIS.3GPP.24.022V700-2007 | 7.0.0 | Approved | Oct 07 | https://www.atis.org/docstore/default.aspx |

| | | | | | |
|-------------------|-----------------------------|--------|-----------|--------|---|
| CCSA | CCSA-TSD-DS-24.022 | 7.0.0 | Published | Jul 07 | http://www.ccsa.org.cn/english/tc/files.php?docpath=/ITU-R/M.1457/M.1457-12/DS |
| ETSI | ETSI TS 124 022 | 7.0.0 | Published | Jul 07 | http://www.etsi.org/deliver/etsi_ts/124000_124099/124022/07.00.00_60/ |
| TTA | TTAT.3G-24.022(R7-7.0.0) | 7.0.0 | Approved | Dec 07 | http://www.tta.or.kr/data/ttasDown.jsp?where=14688&pk_num=TTAT.3G-24.022(R7-7.0.0) |
| TTC | TS-3GA-24.022(Rel7)v7.0.0 | 7.0.0 | Approved | Mar 08 | http://www.ttc.or.jp/j/document_list/free/TS/TS-3GA-24.022(Rel7)v7.0.0.pdf |
| Release 8 | | | | | |
| ATIS | ATIS.3GPP.24.022V800-2009 | 8.0.0 | Approved | Jul 09 | https://www.atis.org/docstore/default.aspx |
| CCSA | CCSA-TSD-DS-24.022 | 8.0.0 | Published | Jan 09 | http://www.ccsa.org.cn/english/tc/files.php?docpath=/ITU-R/M.1457/M.1457-12/DS |
| ETSI | ETSI TS 124 022 | 8.0.0 | Published | Jan 09 | http://www.etsi.org/deliver/etsi_ts/124000_124099/124022/08.00.00_60/ |
| TTA | TTAT.3G-24.022(R8-8.0.0) | 8.0.0 | Approved | Jul 09 | http://www.tta.or.kr/data/ttasDown.jsp?where=14688&pk_num=TTAT.3G-24.022(R8-8.0.0) |
| TTC | TS-3GA-24.022(Rel8)v8.0.0 | 8.0.0 | Approved | Feb 09 | http://www.ttc.or.jp/j/document_list/free/3gpps2009/TS/TS-3GA-24.022(Rel8)v8.0.0.pdf |
| Release 9 | | | | | |
| ATIS | ATIS.3GPP.24.022V900-2010 | 9.0.0 | Approved | Jul 10 | https://www.atis.org/docstore/default.aspx |
| CCSA | CCSA-TSD-DS-24.022 | 9.0.0 | Published | Mar 10 | http://www.ccsa.org.cn/english/tc/files.php?docpath=/ITU-R/M.1457/M.1457-12/DS |
| ETSI | ETSI TS 124 022 | 9.0.0 | Published | Feb 10 | http://www.etsi.org/deliver/etsi_ts/124000_124099/124022/09.00.00_60/ |
| TTA | TTAT.3G-24.022(R9-9.0.0) | 9.0.0 | Approved | Jul 10 | http://www.tta.or.kr/data/ttasDown.jsp?where=14688&pk_num=TTAT.3G-24.022(R9-9.0.0) |
| TTC | TS-3GA-24.022(Rel9)v9.0.0 | 9.0.0 | Approved | Jul 10 | http://www.ttc.or.jp/j/document_list/free/3gpps2010/TS/TS-3GA-24.022(Rel9)v9.0.0.pdf |
| Release 10 | | | | | |
| ATIS | ATIS.3GPP.24.022V1001-2012 | 10.0.1 | Approved | Jul 12 | https://www.atis.org/docstore/default.aspx |
| CCSA | CCSA-TSD-DS-24.022 | 10.0.1 | Published | Jun 12 | http://www.ccsa.org.cn/english/tc/files.php?docpath=/ITU-R/M.1457/M.1457-12/DS |
| ETSI | ETSI TS 124 022 | 10.0.1 | Published | Apr 11 | http://www.etsi.org/deliver/etsi_ts/124000_124099/124022/10.00.01_60/ |
| TTA | TTAT.3G-24.022(R10-10.0.1) | 10.0.1 | Approved | Apr 12 | http://www.tta.or.kr/data/ttasDown.jsp?where=14688&pk_num=TTAT.3G-24.022(R10-10.0.1) |
| TTC | TS-3GA-24.022(Rel10)v10.0.1 | 10.0.1 | Approved | Jun 11 | http://www.ttc.or.jp/j/document_list/free/3gpps2011/TS/TS-3GA-24.022(Rel10)v10.0.1.pdf |
| Release 11 | | | | | |
| ATIS | ATIS.3GPP.24.022V1100-2014 | 11.0.0 | Approved | May 14 | https://www.atis.org/docstore/default.aspx |
| CCSA | CCSA-TSD-DS-24.022 | 11.0.0 | Published | Jun 14 | http://www.ccsa.org.cn/english/tc/files.php?docpath=/ITU-R/M.1457/M.1457-12/DS |
| ETSI | ETSI TS 124 022 | 11.0.0 | Published | Oct 12 | http://www.etsi.org/deliver/etsi_ts/124000_124099/124022/11.00.00_60/ |
| TTA | TTAT.3G-24.022(R11-11.0.0) | 11.0.0 | published | Aug 13 | http://www.tta.or.kr/data/ttasDown.jsp?where=14688&pk_num=TTAT.3G-24.022(R11-11.0.0) |
| TTC | TS-3GA-24.022(Rel11)v11.0.0 | 11.0.0 | Approved | Jun 13 | http://www.ttc.or.jp/j/document_list/free/3gpps2013/TS/TS-3GA-24.022(Rel11)v11.0.0.pdf |

5.1.2.12.52 TS 24.080

Mobile radio interface layer 3 supplementary services specification; Formats and coding

This specification describes the coding of information necessary for support of supplementary service operation on the mobile radio interface L3. Details are specified in other TS.

| SDO (2) | Document No. | Version | Status | Issued date | Location (1) |
|-------------------|---------------------------|---------|-----------|-------------|---|
| Release 99 | | | | | |
| ATIS | TT.3GPP.24.080V371-2004 | 3.7.1 | Approved | May 04 | https://www.atis.org/docstore/default.aspx |
| CCSA | CCSA-TSD-DS-24.080 | 3.7.1 | Published | Oct 03 | http://www.ccsa.org.cn/english/tc/files.php?docpath=/ITU-R/M.1457/M.1457-12/DS |
| ETSI | ETSI TS 124 080 | 3.7.1 | Published | Oct 03 | http://www.etsi.org/deliver/etsi_ts/124000_124099/124080/03.07.01_60/ |
| TTA | TTAT.3G-24.080(R99-3.7.1) | 3.7.1 | Approved | May 04 | http://www.tta.or.kr/data/ttasDown.jsp?where=14688&pk_num=TTAT.3G-24.080(R99-3.7.1) |
| TTC | TS-3GA-24.080(R99)v3.7.0 | 3.7.0 | Approved | Aug 02 | http://www.ttc.or.jp/j/document_list/free/TS/TS-3GA-24.080(R99)v3.7.0.pdf |
| Release 4 | | | | | |
| ATIS | ATIS.3GPP.24.080V440-2005 | 4.4.0 | Approved | Apr 05 | https://www.atis.org/docstore/default.aspx |
| CCSA | CCSA-TSD-DS-24.080 | 4.4.0 | Published | Jan 05 | http://www.ccsa.org.cn/english/tc/files.php?docpath=/ITU-R/M.1457/M.1457-12/DS |
| ETSI | ETSI TS 124 080 | 4.4.0 | Published | Jan 05 | http://www.etsi.org/deliver/etsi_ts/124000_124099/124080/04.04.00_60/ |
| TTA | TTAT.3G-24.080(R4-4.4.0) | 4.4.0 | Approved | May 05 | http://www.tta.or.kr/data/ttasDown.jsp?where=14688&pk_num=TTAT.3G-24.080(R4-4.4.0) |
| TTC | TS-3GA-24.080(Rel4)v4.4.0 | 4.4.0 | Approved | Mar 05 | http://www.ttc.or.jp/j/document_list/free/TS/TS-3GA-24.080(Rel4)v4.4.0.pdf |
| Release 5 | | | | | |
| ATIS | ATIS.3GPP.24.080V550-2005 | 5.5.0 | Approved | Apr 05 | https://www.atis.org/docstore/default.aspx |
| CCSA | CCSA-TSD-DS-24.080 | 5.5.0 | Published | Jan 05 | http://www.ccsa.org.cn/english/tc/files.php?docpath=/ITU-R/M.1457/M.1457-12/DS |
| ETSI | ETSI TS 124 080 | 5.5.0 | Published | Jan 05 | http://www.etsi.org/deliver/etsi_ts/124000_124099/124080/05.05.00_60/ |
| TTA | TTAT.3G-24.080(R5-5.5.0) | 5.5.0 | Approved | May 05 | http://www.tta.or.kr/data/ttasDown.jsp?where=14688&pk_num=TTAT.3G-24.080(R5-5.5.0) |
| TTC | TS-3GA-24.080(Rel5)v5.5.0 | 5.5.0 | Approved | Mar 05 | http://www.ttc.or.jp/j/document_list/free/TS/TS-3GA-24.080(Rel5)v5.5.0.pdf |
| Release 6 | | | | | |
| ATIS | ATIS.3GPP.24.080V630-2006 | 6.3.0 | Approved | Apr 06 | https://www.atis.org/docstore/default.aspx |
| CCSA | CCSA-TSD-DS-24.080 | 6.3.0 | Published | Apr 05 | http://www.ccsa.org.cn/english/tc/files.php?docpath=/ITU-R/M.1457/M.1457-12/DS |
| ETSI | ETSI TS 124 080 | 6.3.0 | Published | Apr 05 | http://www.etsi.org/deliver/etsi_ts/124000_124099/124080/06.03.00_60/ |
| TTA | TTAT.3G-24.080(R6-6.3.0) | 6.3.0 | Approved | Apr 06 | http://www.tta.or.kr/data/ttasDown.jsp?where=14688&pk_num=TTAT.3G-24.080(R6-6.3.0) |
| TTC | TS-3GA-24.080(Rel6)v6.3.0 | 6.3.0 | Approved | May 05 | http://www.ttc.or.jp/j/document_list/free/TS/TS-3GA-24.080(Rel6)v6.3.0.pdf |
| Release 7 | | | | | |
| ATIS | ATIS.3GPP.24.080V740-2007 | 7.4.0 | Approved | Oct 07 | https://www.atis.org/docstore/default.aspx |
| CCSA | CCSA-TSD-DS-24.080 | 7.4.0 | Published | Oct 07 | http://www.ccsa.org.cn/english/tc/files.php?docpath=/ITU-R/M.1457/M.1457-12/DS |
| ETSI | ETSI TS 124 080 | 7.4.0 | Published | Oct 07 | http://www.etsi.org/deliver/etsi_ts/124000_124099/124080/07.04.00_60/ |
| TTA | TTAT.3G-24.080(R7-7.4.0) | 7.4.0 | Approved | Dec 07 | http://www.tta.or.kr/data/ttasDown.jsp?where=14688&pk_num=TTAT.3G-24.080(R7-7.4.0) |
| TTC | TS-3GA-24.080(Rel7)v7.4.0 | 7.4.0 | Approved | Mar 08 | http://www.ttc.or.jp/j/document_list/free/TS/TS-3GA-24.080(Rel7)v7.4.0.pdf |
| Release 8 | | | | | |
| ATIS | ATIS.3GPP.24.080V810-2012 | 8.1.0 | Approved | Jul 12 | https://www.atis.org/docstore/default.aspx |
| CCSA | CCSA-TSD-DS-24.080 | 8.1.0 | Published | Jan 09 | http://www.ccsa.org.cn/english/tc/files.php?docpath=/ITU-R/M.1457/M.1457-12/DS |
| ETSI | ETSI TS 124 080 | 8.1.0 | Published | Jun 10 | http://www.etsi.org/deliver/etsi_ts/124000_124099/124080/08.01.00_60/ |
| TTA | TTAT.3G-24.080(R8-8.0.0) | 8.0.0 | Approved | Jul 09 | http://www.tta.or.kr/data/ttasDown.jsp?where=14688&pk_num=TTAT.3G-24.080(R8-8.0.0) |
| TTC | TS-3GA-24.080(Rel8)v8.1.0 | 8.1.0 | Approved | Oct 10 | http://www.ttc.or.jp/j/document_list/free/3gpps2010/TS/TS-3GA-24.080(Rel8)v8.1.0.pdf |
| Release 9 | | | | | |
| ATIS | ATIS.3GPP.24.080V920-2012 | 9.2.0 | Approved | Jul 12 | https://www.atis.org/docstore/default.aspx |
| CCSA | CCSA-TSD-DS-24.080 | 9.2.0 | Published | Jun 12 | http://www.ccsa.org.cn/english/tc/files.php?docpath=/ITU-R/M.1457/M.1457-12/DS |
| ETSI | ETSI TS 124 080 | 9.2.0 | Published | Jun 10 | http://www.etsi.org/deliver/etsi_ts/124000_124099/124080/09.02.00_60/ |
| TTA | TTAT.3G-24.080(R9-9.1.0) | 9.1.0 | Approved | Jul 10 | http://www.tta.or.kr/data/ttasDown.jsp?where=14688&pk_num=TTAT.3G-24.080(R9-9.1.0) |
| TTC | TS-3GA-24.080(Rel9)v9.2.0 | 9.2.0 | Approved | Oct 10 | http://www.ttc.or.jp/j/document_list/free/3gpps2010/TS/TS-3GA-24.080(Rel9)v9.2.0.pdf |
| Release 10 | | | | | |

| | | | | | |
|-------------------|-----------------------------|--------|-----------|--------|---|
| ATIS | ATIS.3GPP.24.080V1000-2012 | 10.0.0 | Approved | Jul 12 | https://www.atis.org/docstore/default.aspx |
| CCSA | CCSA-TSD-DS-24.080 | 10.0.0 | Published | Jun 12 | http://www.ccsa.org.cn/english/tc/files.php?docpath=/ITU-R/M.1457/M.1457-12/DS |
| ETSI | ETSI TS 124 080 | 10.0.0 | Published | May 11 | http://www.etsi.org/deliver/etsi_ts/124000_124099/124080/10.00.00_60/ |
| TTA | TTAT.3G-24.080(R10-10.0.0) | 10.0.0 | Approved | Apr 12 | http://www.tta.or.kr/data/ttasDown.jsp?where=14688&pk_num=TTAT.3G-24.080(R10-10.0.0) |
| TTC | TS-3GA-24.080(Rel10)v10.0.0 | 10.0.0 | Approved | Jun 11 | http://www.ttc.or.jp/j/document_list/free/3gpps2011/TS/TS-3GA-24.080(Rel10)v10.0.0.pdf |
| Release 11 | | | | | |
| ATIS | ATIS.3GPP.24.080V1100-2014 | 11.0.0 | Approved | May 14 | https://www.atis.org/docstore/default.aspx |
| ETSI | ETSI TS 124 080 | 11.0.0 | Published | Oct 12 | http://www.etsi.org/deliver/etsi_ts/124000_124099/124080/11.00.00_60/ |
| TTA | TTAT.3G-24.080(R11-11.0.0) | 11.0.0 | published | Aug 13 | http://www.tta.or.kr/data/ttasDown.jsp?where=14688&pk_num=TTAT.3G-24.080(R11-11.0.0) |
| TTC | TS-3GA-24.080(Rel11)v11.0.0 | 11.0.0 | Approved | Jun 13 | http://www.ttc.or.jp/j/document_list/free/3gpps2013/TS/TS-3GA-24.080(Rel11)v11.0.0.pdf |

5.1.2.12.53 TS 24.081

Line Identification supplementary services; Stage 3

This document specifies the procedures used at the radio interface for normal operation, registration, erasure, activation, deactivation, invocation and interrogation of line identification supplementary services. Provision and withdrawal of supplementary services is an administrative matter between the mobile subscriber and the service provider and cause no signalling on the radio interface.

In 3GPP TS 24.010 the general aspects of the specification of supplementary services at the layer 3 radio interface are given. 3GPP TS 24.080 specifies the formats and coding for the supplementary services.

Definitions and descriptions of supplementary services are given in 3GPP TS 22.004 and 3GPP TS 22.08x and 3GPP TS 22.09x series. 3GPP TS 22.081 is related specially to line identification supplementary services:

- Calling line identification presentation (CLIP);
- Calling line identification restriction (CLIR);
- Connected line identification presentation (COLP);
- Connected line identification restriction (COLR).

| SDO (2) | Document No. | Version | Status | Issued date | Location (1) |
|-------------------|---------------------------|---------|-----------|-------------|---|
| Release 99 | | | | | |
| CCSA | CCSA-TSD-DS-24.081 | 3.1.0 | Published | Jun 12 | http://www.ccsa.org.cn/english/tc/files.php?docpath=/ITU-R/M.1457/M.1457-12/DS |
| ETSI | ETSI TS 124 081 | 3.1.0 | Published | Aug 00 | http://www.etsi.org/deliver/etsi_ts/124000_124099/124081/03.01.00_60/ |
| TTC | JP-3GA-24.081(R99) | 3.1.0 | Approved | Nov 00 | http://www.ttc.or.jp/j/document_list/pdf/j/STD/JP-3GA-24.081(R99)v2.pdf |
| Release 4 | | | | | |
| CCSA | CCSA-TSD-DS-24.081 | 4.0.1 | Published | Jun 12 | http://www.ccsa.org.cn/english/tc/files.php?docpath=/ITU-R/M.1457/M.1457-12/DS |
| ETSI | ETSI TS 124 081 | 4.0.1 | Published | Jul 02 | http://www.etsi.org/deliver/etsi_ts/124000_124099/124081/04.00.01_60/ |
| TTC | TS-3GA-24.081(Rel4)v4.0.0 | 4.0.0 | Approved | May 01 | http://www.ttc.or.jp/j/document_list/free/TS/TS-3GA-24.081(Rel4)v4.0.0.pdf |
| Release 5 | | | | | |

| | | | | | |
|-------------------|-----------------------------|--------|-----------|--------|---|
| CCSA | CCSA-TSD-DS-24.081 | 5.0.0 | Published | Jun 12 | http://www.ccsa.org.cn/english/tc/files.php?docpath=/ITU-R/M.1457/M.1457-12/DS |
| ETSI | ETSI TS 124 081 | 5.0.0 | Published | Jul 02 | http://www.etsi.org/deliver/etsi_ts/124000_124099/124081/05.00.00_60/ |
| TTC | TS-3GA-24.081(Rel5)v5.0.0 | 5.0.0 | Approved | Aug 02 | http://www.ttc.or.jp/j/document_list/free/TS/TS-3GA-24.081(Rel5)v5.0.0.pdf |
| Release 6 | | | | | |
| CCSA | CCSA-TSD-DS-24.081 | 6.0.0 | Published | Jun 12 | http://www.ccsa.org.cn/english/tc/files.php?docpath=/ITU-R/M.1457/M.1457-12/DS |
| ETSI | ETSI TS 124 081 | 6.0.0 | Published | Jan 05 | http://www.etsi.org/deliver/etsi_ts/124000_124099/124081/06.00.00_60/ |
| TTC | TS-3GA-24.081(Rel6)v6.0.0 | 6.0.0 | Approved | Mar 05 | http://www.ttc.or.jp/j/document_list/free/TS/TS-3GA-24.081(Rel6)v6.0.0.pdf |
| Release 7 | | | | | |
| CCSA | CCSA-TSD-DS-24.081 | 7.0.0 | Published | Jun 12 | http://www.ccsa.org.cn/english/tc/files.php?docpath=/ITU-R/M.1457/M.1457-12/DS |
| ETSI | ETSI TS 124 081 | 7.0.0 | Published | Jul 07 | http://www.etsi.org/deliver/etsi_ts/124000_124099/124081/07.00.00_60/ |
| TTC | TS-3GA-24.081(Rel7)v7.0.0 | 7.0.0 | Approved | Mar 08 | http://www.ttc.or.jp/j/document_list/free/TS/TS-3GA-24.081(Rel7)v7.0.0.pdf |
| Release 8 | | | | | |
| CCSA | CCSA-TSD-DS-24.081 | 8.0.0 | Published | Jun 12 | http://www.ccsa.org.cn/english/tc/files.php?docpath=/ITU-R/M.1457/M.1457-12/DS |
| ETSI | ETSI TS 124 081 | 8.0.0 | Published | Jan 09 | http://www.etsi.org/deliver/etsi_ts/124000_124099/124081/08.00.00_60/ |
| TTC | TS-3GA-24.081(Rel8)v8.0.0 | 8.0.0 | Approved | Feb 09 | http://www.ttc.or.jp/j/document_list/free/3gpps2009/TS/TS-3GA-24.081(Rel8)v8.0.0.pdf |
| Release 9 | | | | | |
| ATIS | ATIS.3GPP.24.081V900-2010 | 9.0.0 | Approved | Jul 10 | https://www.atis.org/docstore/default.aspx |
| CCSA | CCSA-TSD-DS-24.081 | 9.0.0 | Published | Jun 12 | http://www.ccsa.org.cn/english/tc/files.php?docpath=/ITU-R/M.1457/M.1457-12/DS |
| ETSI | ETSI TS 124 081 | 9.0.0 | Published | Jan 10 | http://www.etsi.org/deliver/etsi_ts/124000_124099/124081/09.00.00_60/ |
| TTA | TTAT.3G-24.081(R9-9.0.0) | 9.0.0 | Approved | Jul 10 | http://www.tta.or.kr/data/ttasDown.jsp?where=14688&pk_num=TTAT.3G-24.081(R9-9.0.0) |
| TTC | TS-3GA-24.081(Rel9)v9.0.0 | 9.0.0 | Approved | Jul 10 | http://www.ttc.or.jp/j/document_list/free/3gpps2010/TS/TS-3GA-24.081(Rel9)v9.0.0.pdf |
| Release 10 | | | | | |
| ATIS | ATIS.3GPP.24.081V1000-2012 | 10.0.0 | Approved | Jul 12 | https://www.atis.org/docstore/default.aspx |
| CCSA | CCSA-TSD-DS-24.081 | 10.0.0 | Published | Jun 12 | http://www.ccsa.org.cn/english/tc/files.php?docpath=/ITU-R/M.1457/M.1457-12/DS |
| ETSI | ETSI TS 124 081 | 10.0.0 | Published | May 11 | http://www.etsi.org/deliver/etsi_ts/124000_124099/124081/10.00.00_60/ |
| TTA | TTAT.3G-24.081(R10-10.0.0) | 10.0.0 | Approved | Apr 12 | http://www.tta.or.kr/data/ttasDown.jsp?where=14688&pk_num=TTAT.3G-24.081(R10-10.0.0) |
| TTC | TS-3GA-24.081(Rel10)v10.0.0 | 10.0.0 | Approved | Jun 11 | http://www.ttc.or.jp/j/document_list/free/3gpps2011/TS/TS-3GA-24.081(Rel10)v10.0.0.pdf |
| Release 11 | | | | | |
| ATIS | ATIS.3GPP.24.081V1100-2014 | 11.0.0 | Approved | May 14 | https://www.atis.org/docstore/default.aspx |
| CCSA | CCSA-TSD-DS-24.081 | 11.0.0 | Published | Jun 14 | http://www.ccsa.org.cn/english/tc/files.php?docpath=/ITU-R/M.1457/M.1457-12/DS |
| ETSI | ETSI TS 124 081 | 11.0.0 | Published | Oct 12 | http://www.etsi.org/deliver/etsi_ts/124000_124099/124081/11.00.00_60/ |
| TTA | TTAT.3G-24.081(R11-11.0.0) | 11.0.0 | published | Aug 13 | http://www.tta.or.kr/data/ttasDown.jsp?where=14688&pk_num=TTAT.3G-24.081(R11-11.0.0) |
| TTC | TS-3GA-24.081(Rel11)v11.0.0 | 11.0.0 | Approved | Jun 13 | http://www.ttc.or.jp/j/document_list/free/3gpps2013/TS/TS-3GA-24.081(Rel11)v11.0.0.pdf |

5.1.2.12.54 TS 24.082

Call Forwarding (CF) supplementary services; Stage 3

This document specifies the procedures used at the radio interface (reference point Um as defined in 3GPP TS 24.002) for normal operation, registration, erasure, activation, deactivation, interrogation, and network invocation of call offering supplementary services.

In 3GPP TS 24.010, the general aspects of the specification of supplementary services at the layer 3 radio interface are given.

3GPP TS 24.080 specifies the formats and coding for the supplementary services.

Definitions and descriptions of supplementary services are given in 3GPP TS 22.004 and 3GPP TS 22.08x and 3GPP TS 22.09x series. 3GPP TS 22.082 is related specially to call offering supplementary services.

Technical realization of supplementary services is described in 3GPP TS 23.011 and 3GPP TS 23.08x and 3GPP TS 23.09x series. 3GPP TS 23.082 is related specially to call offering supplementary services.

The procedures for Call Control, Mobility Management and Radio Resource management at the layer 3 radio interface are defined in 3GPP TS 24.007 and 3GPP TS 24.008. The following supplementary services belong to the call offering supplementary services and are described in this document:

- Call forwarding unconditional (CFU);
- Call forwarding on mobile subscriber busy (CFB);
- Call forwarding on no reply (CFNRy);
- Call forwarding on mobile subscriber not reachable (CFNRc).

| SDO (2) | Document No. | Version | Status | Issued date | Location (1) |
|-------------------|---------------------------|---------|-----------|-------------|---|
| Release 99 | | | | | |
| CCSA | CCSA-TSD-DS-24.082 | 3.0.0 | Published | Jun 12 | http://www.ccsa.org.cn/english/tc/files.php?docpath=/ITU-R/M.1457/M.1457-12/DS |
| ETSI | ETSI TS 124 082 | 3.0.0 | Published | Feb 00 | http://www.etsi.org/deliver/etsi_ts/124000_124099/124082/03.00.00_60/ |
| TTC | JP-3GA-24.082(R99) | 3.0.0 | Approved | Mar 00 | http://www.ttc.or.jp/j/document_list/pdf/j/STD/JP-3GA-24.082(R99)v1.pdf |
| Release 4 | | | | | |
| CCSA | CCSA-TSD-DS-24.082 | 4.0.1 | Published | Jun 12 | http://www.ccsa.org.cn/english/tc/files.php?docpath=/ITU-R/M.1457/M.1457-12/DS |
| ETSI | ETSI TS 124 082 | 4.0.1 | Published | Jul 02 | http://www.etsi.org/deliver/etsi_ts/124000_124099/124082/04.00.01_60/ |
| TTC | TS-3GA-24.082(Rel4)v4.0.0 | 4.0.0 | Approved | May 01 | http://www.ttc.or.jp/j/document_list/free/TS/TS-3GA-24.082(Rel4)v4.0.0.pdf |
| Release 5 | | | | | |
| CCSA | CCSA-TSD-DS-24.082 | 5.0.0 | Published | Jun 12 | http://www.ccsa.org.cn/english/tc/files.php?docpath=/ITU-R/M.1457/M.1457-12/DS |
| ETSI | ETSI TS 124 082 | 5.0.0 | Published | Jul 02 | http://www.etsi.org/deliver/etsi_ts/124000_124099/124082/05.00.00_60/ |
| TTC | TS-3GA-24.082(Rel5)v5.0.0 | 5.0.0 | Approved | Aug 02 | http://www.ttc.or.jp/j/document_list/free/TS/TS-3GA-24.082(Rel5)v5.0.0.pdf |
| Release 6 | | | | | |
| CCSA | CCSA-TSD-DS-24.082 | 6.0.0 | Published | Jun 12 | http://www.ccsa.org.cn/english/tc/files.php?docpath=/ITU-R/M.1457/M.1457-12/DS |
| ETSI | ETSI TS 124 082 | 6.0.0 | Published | Jan 05 | http://www.etsi.org/deliver/etsi_ts/124000_124099/124082/06.00.00_60/ |
| TTC | TS-3GA-24.082(Rel6)v6.0.0 | 6.0.0 | Approved | Mar 05 | http://www.ttc.or.jp/j/document_list/free/TS/TS-3GA-24.082(Rel6)v6.0.0.pdf |
| Release 7 | | | | | |
| CCSA | CCSA-TSD-DS-24.082 | 7.2.0 | Published | Jun 12 | http://www.ccsa.org.cn/english/tc/files.php?docpath=/ITU-R/M.1457/M.1457-12/DS |
| ETSI | ETSI TS 124 082 | 7.2.0 | Published | Jun 09 | http://www.etsi.org/deliver/etsi_ts/124000_124099/124082/07.02.00_60/ |
| TTC | TS-3GA-24.082(Rel7)v7.2.0 | 7.2.0 | Approved | Oct 09 | http://www.ttc.or.jp/j/document_list/free/3gpps2009/TS/TS-3GA-24.082(Rel7)v7.2.0.pdf |
| Release 8 | | | | | |
| CCSA | CCSA-TSD-DS-24.082 | 8.1.0 | Published | Jun 12 | http://www.ccsa.org.cn/english/tc/files.php?docpath=/ITU-R/M.1457/M.1457-12/DS |
| ETSI | ETSI TS 124 082 | 8.1.0 | Published | Jun 09 | http://www.etsi.org/deliver/etsi_ts/124000_124099/124082/08.01.00_60/ |
| TTC | TS-3GA-24.082(Rel8)v8.1.0 | 8.1.0 | Approved | Oct 09 | http://www.ttc.or.jp/j/document_list/free/3gpps2009/TS/TS-3GA-24.082(Rel8)v8.1.0.pdf |

Release 9

| | | | | | |
|------|---------------------------|-------|-----------|--------|---|
| ATIS | ATIS.3GPP.24.082V900-2010 | 9.0.0 | Approved | Jul 10 | https://www.atis.org/docstore/default.aspx |
| CCSA | CCSA-TSD-DS-24.082 | 9.0.0 | Published | Jun 12 | http://www.ccsa.org.cn/english/tc/files.php?docpath=/ITU-R/M.1457/M.1457-12/DS |
| ETSI | ETSI TS 124 082 | 9.0.0 | Published | Jan 10 | http://www.etsi.org/deliver/etsi_ts/124000_124099/124082/09.00.00_60/ |
| TTA | TTAT.3G-24.082(R9-9.0.0) | 9.0.0 | Approved | Jul 10 | http://www.tta.or.kr/data/ttasDown.jsp?where=14688&pk_num=TTAT.3G-24.082(R9-9.0.0) |
| TTC | TS-3GA-24.082(Rel9)v9.0.0 | 9.0.0 | Approved | Jul 10 | http://www.ttc.or.jp/j/document_list/free/3gpps2010/TS/TS-3GA-24.082(Rel9)v9.0.0.pdf |

Release 10

| | | | | | |
|------|-----------------------------|--------|-----------|--------|---|
| ATIS | ATIS.3GPP.24.082V1000-2012 | 10.0.0 | Approved | Jul 12 | https://www.atis.org/docstore/default.aspx |
| CCSA | CCSA-TSD-DS-24.082 | 10.0.0 | Published | Jun 12 | http://www.ccsa.org.cn/english/tc/files.php?docpath=/ITU-R/M.1457/M.1457-12/DS |
| ETSI | ETSI TS 124 082 | 10.0.0 | Published | May 11 | http://www.etsi.org/deliver/etsi_ts/124000_124099/124082/10.00.00_60/ |
| TTA | TTAT.3G-24.082(R10-10.0.0) | 10.0.0 | Approved | Apr 12 | http://www.tta.or.kr/data/ttasDown.jsp?where=14688&pk_num=TTAT.3G-24.082(R10-10.0.0) |
| TTC | TS-3GA-24.082(Rel10)v10.0.0 | 10.0.0 | Approved | Jun 11 | http://www.ttc.or.jp/j/document_list/free/3gpps2011/TS/TS-3GA-24.082(Rel10)v10.0.0.pdf |

Release 11

| | | | | | |
|------|-----------------------------|--------|-----------|--------|---|
| ATIS | ATIS.3GPP.24.082V1100-2014 | 11.0.0 | Approved | May 14 | https://www.atis.org/docstore/default.aspx |
| CCSA | CCSA-TSD-DS-24.082 | 11.0.0 | Published | Jun 14 | http://www.ccsa.org.cn/english/tc/files.php?docpath=/ITU-R/M.1457/M.1457-12/DS |
| ETSI | ETSI TS 124 082 | 11.0.0 | Published | Oct 12 | http://www.etsi.org/deliver/etsi_ts/124000_124099/124082/11.00.00_60/ |
| TTA | TTAT.3G-24.082(R11-11.0.0) | 11.0.0 | published | Aug 13 | http://www.tta.or.kr/data/ttasDown.jsp?where=14688&pk_num=TTAT.3G-24.082(R11-11.0.0) |
| TTC | TS-3GA-24.082(Rel11)v11.0.0 | 11.0.0 | Approved | Jun 13 | http://www.ttc.or.jp/j/document_list/free/3gpps2013/TS/TS-3GA-24.082(Rel11)v11.0.0.pdf |

5.1.2.12.55 TS 24.083**Call Waiting (CW) and Call Hold (HOLD) supplementary services; Stage 3**

This document specifies the procedures used at the radio interface (reference point Um as defined in 3GPP TS 24.002) for normal operation, registration, erasure, activation, deactivation, invocation and interrogation of call completion supplementary services.

In 3GPP TS 24.010 the general aspects of the specification of supplementary services at the layer 3 radio interface are given.

3GPP TS 24.080 specifies the formats and coding for the supplementary services.

Definitions and descriptions of supplementary services are given in 3GPP TS 22.004 and 3GPP TS 22.08x and 3GPP TS 22.09x series. 3GPP TS 22.083 is related specially to call completion supplementary services.

Technical realization of supplementary services is described in 3GPP TS 23.011 and GSM 03.8x and GSM 03.9x series.

3GPP TS 23.083 is related specially to call completion supplementary services.

The procedures for Call Control, Mobility Management and Radio Resource management at the layer 3 radio interface are defined in 3GPP TS 24.007 and 3GPP TS 24.008.

The following supplementary services belong to the call completion supplementary services and are described in this document:

- Call waiting (CW);

– Call hold (HOLD).

| SDO (2) | Document No. | Version | Status | Issued date | Location (1) |
|-------------------|-----------------------------|---------|-----------|-------------|---|
| Release 99 | | | | | |
| CCSA | CCSA-TSD-DS-24.083 | 3.0.0 | Published | Jun 12 | http://www.ccsa.org.cn/english/tc/files.php?docpath=/ITU-R/M.1457/M.1457-12/DS |
| ETSI | ETSI TS 124 083 | 3.0.0 | Published | Feb 00 | http://www.etsi.org/deliver/etsi_ts/124000_124099/124083/03.00.00_60/ |
| TTC | JP-3GA-24.083(R99) | 3.0.0 | Approved | Mar 00 | http://www.ttc.or.jp/j/document_list/pdf/j/STD/JP-3GA-24.083(R99)v1.pdf |
| Release 4 | | | | | |
| CCSA | CCSA-TSD-DS-24.083 | 4.0.1 | Published | Jun 12 | http://www.ccsa.org.cn/english/tc/files.php?docpath=/ITU-R/M.1457/M.1457-12/DS |
| ETSI | ETSI TS 124 083 | 4.0.1 | Published | Jul 02 | http://www.etsi.org/deliver/etsi_ts/124000_124099/124083/04.00.01_60/ |
| TTC | TS-3GA-24.083(Rel4)v4.0.0 | 4.0.0 | Approved | May 01 | http://www.ttc.or.jp/j/document_list/free/TS/TS-3GA-24.083(Rel4)v4.0.0.pdf |
| Release 5 | | | | | |
| CCSA | CCSA-TSD-DS-24.083 | 5.0.0 | Published | Jun 12 | http://www.ccsa.org.cn/english/tc/files.php?docpath=/ITU-R/M.1457/M.1457-12/DS |
| ETSI | ETSI TS 124 083 | 5.0.0 | Published | Jul 02 | http://www.etsi.org/deliver/etsi_ts/124000_124099/124083/05.00.00_60/ |
| TTC | TS-3GA-24.083(Rel5)v5.0.0 | 5.0.0 | Approved | Aug 02 | http://www.ttc.or.jp/j/document_list/free/TS/TS-3GA-24.083(Rel5)v5.0.0.pdf |
| Release 6 | | | | | |
| CCSA | CCSA-TSD-DS-24.083 | 6.0.0 | Published | Jun 12 | http://www.ccsa.org.cn/english/tc/files.php?docpath=/ITU-R/M.1457/M.1457-12/DS |
| ETSI | ETSI TS 124 083 | 6.0.0 | Published | Jan 05 | http://www.etsi.org/deliver/etsi_ts/124000_124099/124083/06.00.00_60/ |
| TTC | TS-3GA-24.083(Rel6)v6.0.0 | 6.0.0 | Approved | Mar 05 | http://www.ttc.or.jp/j/document_list/free/TS/TS-3GA-24.083(Rel6)v6.0.0.pdf |
| Release 7 | | | | | |
| CCSA | CCSA-TSD-DS-24.083 | 7.0.0 | Published | Jun 12 | http://www.ccsa.org.cn/english/tc/files.php?docpath=/ITU-R/M.1457/M.1457-12/DS |
| ETSI | ETSI TS 124 083 | 7.0.0 | Published | Jul 07 | http://www.etsi.org/deliver/etsi_ts/124000_124099/124083/07.00.00_60/ |
| TTC | TS-3GA-24.083(Rel7)v7.0.0 | 7.0.0 | Approved | Mar 08 | http://www.ttc.or.jp/j/document_list/free/TS/TS-3GA-24.083(Rel7)v7.0.0.pdf |
| Release 8 | | | | | |
| CCSA | CCSA-TSD-DS-24.083 | 8.0.0 | Published | Jun 12 | http://www.ccsa.org.cn/english/tc/files.php?docpath=/ITU-R/M.1457/M.1457-12/DS |
| ETSI | ETSI TS 124 083 | 8.0.0 | Published | Jan 09 | http://www.etsi.org/deliver/etsi_ts/124000_124099/124083/08.00.00_60/ |
| TTC | TS-3GA-24.083(Rel8)v8.0.0 | 8.0.0 | Approved | Feb 09 | http://www.ttc.or.jp/j/document_list/free/3gpps2009/TS/TS-3GA-24.083(Rel8)v8.0.0.pdf |
| Release 9 | | | | | |
| ATIS | ATIS.3GPP.24.083V900-2010 | 9.0.0 | Approved | Jul 10 | https://www.atis.org/docstore/default.aspx |
| CCSA | CCSA-TSD-DS-24.083 | 9.0.0 | Published | Jun 12 | http://www.ccsa.org.cn/english/tc/files.php?docpath=/ITU-R/M.1457/M.1457-12/DS |
| ETSI | ETSI TS 124 083 | 9.0.0 | Published | Jan 10 | http://www.etsi.org/deliver/etsi_ts/124000_124099/124083/09.00.00_60/ |
| TTA | TTAT.3G-24.083(R9-9.0.0) | 9.0.0 | Approved | Jul 10 | http://www.tta.or.kr/data/ttasDown.jsp?where=14688&pk_num=TTAT.3G-24.083(R9-9.0.0) |
| TTC | TS-3GA-24.083(Rel9)v9.0.0 | 9.0.0 | Approved | Jul 10 | http://www.ttc.or.jp/j/document_list/free/3gpps2010/TS/TS-3GA-24.083(Rel9)v9.0.0.pdf |
| Release 10 | | | | | |
| ATIS | ATIS.3GPP.24.083V1000-2012 | 10.0.0 | Approved | Jul 12 | https://www.atis.org/docstore/default.aspx |
| CCSA | CCSA-TSD-DS-24.083 | 10.0.0 | Published | Jun 12 | http://www.ccsa.org.cn/english/tc/files.php?docpath=/ITU-R/M.1457/M.1457-12/DS |
| ETSI | ETSI TS 124 083 | 10.0.0 | Published | May 11 | http://www.etsi.org/deliver/etsi_ts/124000_124099/124083/10.00.00_60/ |
| TTA | TTAT.3G-24.083(R10-10.0.0) | 10.0.0 | Approved | Apr 12 | http://www.tta.or.kr/data/ttasDown.jsp?where=14688&pk_num=TTAT.3G-24.083(R10-10.0.0) |
| TTC | TS-3GA-24.083(Rel10)v10.0.0 | 10.0.0 | Approved | Jun 11 | http://www.ttc.or.jp/j/document_list/free/3gpps2011/TS/TS-3GA-24.083(Rel10)v10.0.0.pdf |
| Release 11 | | | | | |
| ATIS | ATIS.3GPP.24.083V1100-2014 | 11.0.0 | Approved | May 14 | https://www.atis.org/docstore/default.aspx |
| CCSA | CCSA-TSD-DS-24.083 | 11.0.0 | Published | Jun 14 | http://www.ccsa.org.cn/english/tc/files.php?docpath=/ITU-R/M.1457/M.1457-12/DS |
| ETSI | ETSI TS 124 083 | 11.0.0 | Published | Oct 12 | http://www.etsi.org/deliver/etsi_ts/124000_124099/124083/11.00.00_60/ |

| | | | | | |
|-----|-----------------------------|--------|-----------|--------|---|
| TTA | TTAT.3G-24.083(R11-11.0.0) | 11.0.0 | published | Aug 13 | http://www.tta.or.kr/data/ttasDown.jsp?where=14688&pk_num=TTAT.3G-24.083(R11-11.0.0) |
| TTC | TS-3GA-24.083(Rel11)v11.0.0 | 11.0.0 | Approved | Jun 13 | http://www.ttc.or.jp/j/document_list/free/3gpps2013/TS/TS-3GA-24.083(Rel11)v11.0.0.pdf |

5.1.2.12.56 TS 24.084

Multi Party (MPTY) supplementary service; Stage 3

This document specifies the procedures used at the radio interface (reference point Um as defined in 3GPP TS 24.002) for normal operation and invocation of MultiParty supplementary services.

In 3GPP TS 24.010 the general aspects of the specification of supplementary services at the layer 3 radio interface are given.

3GPP TS 24.080 specifies the formats and coding for the supplementary services.

Definitions and descriptions of supplementary services are given in 3GPP TS 22.004 and the 3GPP TS 22.08x and 3GPP TS 22.09x series.

3GPP TS 22.084 is related specially to MultiParty supplementary services.

Technical realization of supplementary services is described in 3GPP TS 23.011 and the 3GPP TS 23.08x and 3GPP TS 23.09x series.

3GPP TS 23.084 is related specially to MultiParty supplementary services.

The procedures for Call Control, Mobility Management and Radio Resource management at the layer 3 radio interface are defined in 3GPP TS 24.007 and 3GPP TS 24.008.

The following supplementary service belongs to the MultiParty supplementary services and is described in this document:

– MultiParty service (MPTY).

| SDO (2) | Document No. | Version | Status | Issued date | Location (1) |
|-------------------|---------------------------|---------|-----------|-------------|---|
| Release 99 | | | | | |
| CCSA | CCSA-TSD-DS-24.084 | 3.0.0 | Published | Jun 12 | http://www.ccsa.org.cn/english/tc/files.php?docpath=/ITU-R/M.1457/M.1457-12/DS |
| ETSI | ETSI TS 124 084 | 3.0.0 | Published | Feb 00 | http://www.etsi.org/deliver/etsi_ts/124000_124099/124084/03.00.00_60/ |
| TTC | JP-3GA-24.084(R99) | 3.0.0 | Approved | Mar 00 | http://www.ttc.or.jp/j/document_list/pdf/j/STD/JP-3GA-24.084(R99)v1.pdf |
| Release 4 | | | | | |
| CCSA | CCSA-TSD-DS-24.084 | 4.0.1 | Published | Jun 12 | http://www.ccsa.org.cn/english/tc/files.php?docpath=/ITU-R/M.1457/M.1457-12/DS |
| ETSI | ETSI TS 124 084 | 4.0.1 | Published | Jul 02 | http://www.etsi.org/deliver/etsi_ts/124000_124099/124084/04.00.01_60/ |
| TTC | TS-3GA-24.084(Rel4)v4.0.0 | 4.0.0 | Approved | May 01 | http://www.ttc.or.jp/j/document_list/free/TS/TS-3GA-24.084(Rel4)v4.0.0.pdf |
| Release 5 | | | | | |
| CCSA | CCSA-TSD-DS-24.084 | 5.0.0 | Published | Jun 12 | http://www.ccsa.org.cn/english/tc/files.php?docpath=/ITU-R/M.1457/M.1457-12/DS |
| ETSI | ETSI TS 124 084 | 5.0.0 | Published | Jul 02 | http://www.etsi.org/deliver/etsi_ts/124000_124099/124084/05.00.00_60/ |
| TTC | TS-3GA-24.084(Rel5)v5.0.0 | 5.0.0 | Approved | Aug 02 | http://www.ttc.or.jp/j/document_list/free/TS/TS-3GA-24.084(Rel5)v5.0.0.pdf |
| Release 6 | | | | | |
| CCSA | CCSA-TSD-DS-24.084 | 6.0.0 | Published | Jun 12 | http://www.ccsa.org.cn/english/tc/files.php?docpath=/ITU-R/M.1457/M.1457-12/DS |

| | | | | | |
|-------------------|-----------------------------|--------|-----------|--------|---|
| ETSI | ETSI TS 124 084 | 6.0.0 | Published | Jan 05 | http://www.etsi.org/deliver/etsi_ts/124000_124099/124084/06.00.00_60/ |
| TTC | TS-3GA-24.084(Rel6)v6.0.0 | 6.0.0 | Approved | Mar 05 | http://www.ttc.or.jp/j/document_list/free/TS/TS-3GA-24.084(Rel6)v6.0.0.pdf |
| Release 7 | | | | | |
| CCSA | CCSA-TSD-DS-24.084 | 7.0.0 | Published | Jun 12 | http://www.ccsa.org.cn/english/tc/files.php?docpath=/ITU-R/M.1457/M.1457-12/DS |
| ETSI | ETSI TS 124 084 | 7.0.0 | Published | Jul 07 | http://www.etsi.org/deliver/etsi_ts/124000_124099/124084/07.00.00_60/ |
| TTC | TS-3GA-24.084(Rel7)v7.0.0 | 7.0.0 | Approved | Mar 08 | http://www.ttc.or.jp/j/document_list/free/TS/TS-3GA-24.084(Rel7)v7.0.0.pdf |
| Release 8 | | | | | |
| CCSA | CCSA-TSD-DS-24.084 | 8.0.0 | Published | Jun 12 | http://www.ccsa.org.cn/english/tc/files.php?docpath=/ITU-R/M.1457/M.1457-12/DS |
| ETSI | ETSI TS 124 084 | 8.0.0 | Published | Jan 09 | http://www.etsi.org/deliver/etsi_ts/124000_124099/124084/08.00.00_60/ |
| TTC | TS-3GA-24.084(Rel8)v8.0.0 | 8.0.0 | Approved | Feb 09 | http://www.ttc.or.jp/j/document_list/free/3gpps2009/TS/TS-3GA-24.084(Rel8)v8.0.0.pdf |
| Release 9 | | | | | |
| ATIS | ATIS.3GPP.24.084V900-2010 | 9.0.0 | Approved | Jul 10 | https://www.atis.org/docstore/default.aspx |
| CCSA | CCSA-TSD-DS-24.084 | 9.0.0 | Published | Jun 12 | http://www.ccsa.org.cn/english/tc/files.php?docpath=/ITU-R/M.1457/M.1457-12/DS |
| ETSI | ETSI TS 124 084 | 9.0.0 | Published | Feb 10 | http://www.etsi.org/deliver/etsi_ts/124000_124099/124084/09.00.00_60/ |
| TTA | TTAT.3G-24.084(R9-9.0.0) | 9.0.0 | Approved | Jul 10 | http://www.tta.or.kr/data/ttasDown.jsp?where=14688&pk_num=TTAT.3G-24.084(R9-9.0.0) |
| TTC | TS-3GA-24.084(Rel9)v9.0.0 | 9.0.0 | Approved | Jul 10 | http://www.ttc.or.jp/j/document_list/free/3gpps2010/TS/TS-3GA-24.084(Rel9)v9.0.0.pdf |
| Release 10 | | | | | |
| ATIS | ATIS.3GPP.24.084V1000-2012 | 10.0.0 | Approved | Jul 12 | https://www.atis.org/docstore/default.aspx |
| CCSA | CCSA-TSD-DS-24.084 | 10.0.0 | Published | Jun 12 | http://www.ccsa.org.cn/english/tc/files.php?docpath=/ITU-R/M.1457/M.1457-12/DS |
| ETSI | ETSI TS 124 084 | 10.0.0 | Published | May 11 | http://www.etsi.org/deliver/etsi_ts/124000_124099/124084/10.00.00_60/ |
| TTA | TTAT.3G-24.084(R10-10.0.0) | 10.0.0 | Approved | Apr 12 | http://www.tta.or.kr/data/ttasDown.jsp?where=14688&pk_num=TTAT.3G-24.084(R10-10.0.0) |
| TTC | TS-3GA-24.084(Rel10)v10.0.0 | 10.0.0 | Approved | Jun 11 | http://www.ttc.or.jp/j/document_list/free/3gpps2011/TS/TS-3GA-24.084(Rel10)v10.0.0.pdf |
| Release 11 | | | | | |
| ATIS | ATIS.3GPP.24.084V1100-2014 | 11.0.0 | Approved | May 14 | https://www.atis.org/docstore/default.aspx |
| CCSA | CCSA-TSD-DS-24.084 | 11.0.0 | Published | Jun 12 | http://www.ccsa.org.cn/english/tc/files.php?docpath=/ITU-R/M.1457/M.1457-12/DS |
| ETSI | ETSI TS 124 084 | 11.0.0 | Published | Oct 12 | http://www.etsi.org/deliver/etsi_ts/124000_124099/124084/11.00.00_60/ |
| TTA | TTAT.3G-24.084(R11-11.0.0) | 11.0.0 | published | Aug 13 | http://www.tta.or.kr/data/ttasDown.jsp?where=14688&pk_num=TTAT.3G-24.084(R11-11.0.0) |

5.1.2.12.57 TS 24.085

Closed User Group (CUG) supplementary service; Stage 3

This document specifies the procedures used at the radio interface (reference point Um as defined in 3GPP TS 24.002) for normal operation, registration, erasure, activation, deactivation, invocation and interrogation of community of interest supplementary services.

In 3GPP TS 24.010, the general aspects of the specification of supplementary services at the layer 3 radio interface are given.

3GPP TS 24.080 specifies the formats coding for the supplementary services.

Definitions and descriptions of supplementary services are given in 3GPP TS 22.004 and 3GPP TS 22.08x and 3GPP TS 22.09x-series. 3GPP TS 22.085 is related to the community of interest supplementary services.

Technical realization of supplementary services is described in technical specifications 3GPP TS 23.011 and 3GPP TS 23.08x and 3GPP TS 23.09x-series. 3GPP TS 23.085 is related to the community of interest supplementary services.

The procedures for Call Control, Mobility Management and Radio Resource management at the layer 3 radio interface are defined in 3GPP TS 24.007 and 3GPP TS 24.008.

Signalling interworking for supplementary services between 3GPP TS 29.002 and 3GPP TS 24.008 and between 3GPP TS 29.002 and 3GPP TS 24.080 is defined in 3GPP TS 29.011.

The following supplementary services belong to the community of interest supplementary services and are described in this TS:

- Closed User Group (CUG).

| SDO (2) | Document No. | Version | Status | Issued date | Location (1) |
|-------------------|---------------------------|---------|-----------|-------------|---|
| Release 99 | | | | | |
| CCSA | CCSA-TSD-DS-24.085 | 3.0.0 | Published | Jun 12 | http://www.ccsa.org.cn/english/tc/files.php?docpath=/ITU-R/M.1457/M.1457-12/DS |
| ETSI | ETSI TS 124 085 | 3.0.0 | Published | Feb 00 | http://www.etsi.org/deliver/etsi_ts/124000_124099/124085/03.00.00_60/ |
| TTC | JP-3GA-24.085(R99) | 3.0.0 | Approved | Mar 00 | http://www.ttc.or.jp/j/document_list/pdf/j/STD/JP-3GA-24.085(R99)v1.pdf |
| Release 4 | | | | | |
| CCSA | CCSA-TSD-DS-24.085 | 4.0.1 | Published | Jun 12 | http://www.ccsa.org.cn/english/tc/files.php?docpath=/ITU-R/M.1457/M.1457-12/DS |
| ETSI | ETSI TS 124 085 | 4.0.1 | Published | Jul 02 | http://www.etsi.org/deliver/etsi_ts/124000_124099/124085/04.00.01_60/ |
| TTC | TS-3GA-24.085(Rel4)v4.0.0 | 4.0.0 | Approved | May 01 | http://www.ttc.or.jp/j/document_list/free/TS/TS-3GA-24.085(Rel4)v4.0.0.pdf |
| Release 5 | | | | | |
| CCSA | CCSA-TSD-DS-24.085 | 5.0.0 | Published | Jun 12 | http://www.ccsa.org.cn/english/tc/files.php?docpath=/ITU-R/M.1457/M.1457-12/DS |
| ETSI | ETSI TS 124 085 | 5.0.0 | Published | Jul 02 | http://www.etsi.org/deliver/etsi_ts/124000_124099/124085/05.00.00_60/ |
| TTC | TS-3GA-24.085(Rel5)v5.0.0 | 5.0.0 | Approved | Aug 02 | http://www.ttc.or.jp/j/document_list/free/TS/TS-3GA-24.085(Rel5)v5.0.0.pdf |
| Release 6 | | | | | |
| CCSA | CCSA-TSD-DS-24.085 | 6.0.0 | Published | Jun 12 | http://www.ccsa.org.cn/english/tc/files.php?docpath=/ITU-R/M.1457/M.1457-12/DS |
| ETSI | ETSI TS 124 085 | 6.0.0 | Published | Jan 05 | http://www.etsi.org/deliver/etsi_ts/124000_124099/124085/06.00.00_60/ |
| TTC | TS-3GA-24.085(Rel6)v6.0.0 | 6.0.0 | Approved | Mar 05 | http://www.ttc.or.jp/j/document_list/free/TS/TS-3GA-24.085(Rel6)v6.0.0.pdf |
| Release 7 | | | | | |
| CCSA | CCSA-TSD-DS-24.085 | 7.0.0 | Published | Jun 12 | http://www.ccsa.org.cn/english/tc/files.php?docpath=/ITU-R/M.1457/M.1457-12/DS |
| ETSI | ETSI TS 124 085 | 7.0.0 | Published | Jul 07 | http://www.etsi.org/deliver/etsi_ts/124000_124099/124085/07.00.00_60/ |
| TTC | TS-3GA-24.085(Rel7)v7.0.0 | 7.0.0 | Approved | Mar 08 | http://www.ttc.or.jp/j/document_list/free/TS/TS-3GA-24.085(Rel7)v7.0.0.pdf |
| Release 8 | | | | | |
| CCSA | CCSA-TSD-DS-24.085 | 8.0.0 | Published | Jun 12 | http://www.ccsa.org.cn/english/tc/files.php?docpath=/ITU-R/M.1457/M.1457-12/DS |
| ETSI | ETSI TS 124 085 | 8.0.0 | Published | Jan 09 | http://www.etsi.org/deliver/etsi_ts/124000_124099/124085/08.00.00_60/ |
| TTC | TS-3GA-24.085(Rel8)v8.0.0 | 8.0.0 | Approved | Feb 09 | http://www.ttc.or.jp/j/document_list/free/3gpps2009/TS/TS-3GA-24.085(Rel8)v8.0.0.pdf |
| Release 9 | | | | | |
| ATIS | ATIS.3GPP.24.085V900-2010 | 9.0.0 | Approved | Jul 10 | https://www.atis.org/docstore/default.aspx |
| CCSA | CCSA-TSD-DS-24.085 | 9.0.0 | Published | Jun 12 | http://www.ccsa.org.cn/english/tc/files.php?docpath=/ITU-R/M.1457/M.1457-12/DS |
| ETSI | ETSI TS 124 085 | 9.0.0 | Published | Feb 10 | http://www.etsi.org/deliver/etsi_ts/124000_124099/124085/09.00.00_60/ |
| TTA | TTAT.3G-24.085(R9-9.0.0) | 9.0.0 | Approved | Jul 10 | http://www.tta.or.kr/data/ttasDown.jsp?where=14688&pk_num=TTAT.3G-24.085(R9-9.0.0) |

| | | | | | |
|-------------------|-----------------------------|--------|-----------|--------|---|
| TTC | TS-3GA-24.085(Rel9)v9.0.0 | 9.0.0 | Approved | Jul 10 | http://www.ttc.or.jp/j/document_list/free/3gpps2010/TS/TS-3GA-24.085(Rel9)v9.0.0.pdf |
| Release 10 | | | | | |
| ATIS | ATIS.3GPP.24.085V1000-2012 | 10.0.0 | Approved | Jul 12 | https://www.atis.org/docstore/default.aspx |
| CCSA | CCSA-TSD-DS-24.085 | 10.0.0 | Published | Jun 12 | http://www.ccsa.org.cn/english/tc/files.php?docpath=/ITU-R/M.1457/M.1457-12/DS |
| ETSI | ETSI TS 124 085 | 10.0.0 | Published | May 11 | http://www.etsi.org/deliver/etsi_ts/124000_124099/124085/10.00.00_60/ |
| TTA | TTAT.3G-24.085(R10-10.0.0) | 10.0.0 | Approved | Apr 12 | http://www.tta.or.kr/data/ttasDown.jsp?where=14688&pk_num=TTAT.3G-24.085(R10-10.0.0) |
| TTC | TS-3GA-24.085(Rel10)v10.0.0 | 10.0.0 | Approved | Jun 11 | http://www.ttc.or.jp/j/document_list/free/3gpps2011/TS/TS-3GA-24.085(Rel10)v10.0.0.pdf |
| Release 11 | | | | | |
| ATIS | ATIS.3GPP.24.085V1100-2014 | 11.0.0 | Approved | May 14 | https://www.atis.org/docstore/default.aspx |
| CCSA | CCSA-TSD-DS-24.085 | 11.0.0 | Published | Jun 14 | http://www.ccsa.org.cn/english/tc/files.php?docpath=/ITU-R/M.1457/M.1457-12/DS |
| ETSI | ETSI TS 124 085 | 11.0.0 | Published | Oct 12 | http://www.etsi.org/deliver/etsi_ts/124000_124099/124085/11.00.00_60/ |
| TTA | TTAT.3G-24.085(R11-11.0.0) | 11.0.0 | published | Aug 13 | http://www.tta.or.kr/data/ttasDown.jsp?where=14688&pk_num=TTAT.3G-24.085(R11-11.0.0) |
| TTC | TS-3GA-24.085(Rel11)v11.0.0 | 11.0.0 | Approved | Jun 13 | http://www.ttc.or.jp/j/document_list/free/3gpps2013/TS/TS-3GA-24.085(Rel11)v11.0.0.pdf |

5.1.2.12.58 TS 24.086

Advice of Charge (AoC) supplementary services; Stage 3

This document specifies the procedures used at the radio interface (reference point Um as defined in 3GPP TS 24.002) for normal operation, registration, erasure, activation, deactivation, invocation and interrogation of charging supplementary services.

In 3GPP TS 24.010 the general aspects of the specification of supplementary services at the layer 3 radio interface are given.

3GPP TS 24.080 specifies the formats and coding for the supplementary services.

Definitions and descriptions of supplementary services are given in 3GPP TS 22.004 and 3GPP TS 22.08x and 3GPP TS 22.09x series. 3GPP TS 22.024 and 02.86 are related to the charging supplementary services.

Technical realization of supplementary services is described in 3GPP TS 23.011 and 3GPP TS 23.08x and 3GPP TS 23.09x series. 3GPP TS 23.086 is related to the charging supplementary services.

The procedures for Call Control, Mobility Management and Radio Resource management at the layer 3 radio interface are defined in 3GPP TS 24.007 and 3GPP TS 24.008.

The following supplementary services belong to the charging supplementary services and are described in this document:

- Advice of Charge (Information) (AoCI);
- Advice of Charge (Charging) (AoCC).

| SDO (2) | Document No. | Version | Status | Issued date | Location (1) |
|-------------------|--------------------|---------|-----------|-------------|---|
| Release 99 | | | | | |
| CCSA | CCSA-TSD-DS-24.086 | 3.0.0 | Published | Jun 12 | http://www.ccsa.org.cn/english/tc/files.php?docpath=/ITU-R/M.1457/M.1457-12/DS |

| | | | | | |
|-------------------|-----------------------------|--------|-----------|--------|---|
| ETSI | ETSI TS 124 086 | 3.0.0 | Published | Feb 00 | http://www.etsi.org/deliver/etsi_ts/124000_124099/124086/03.00.00_60/ |
| TTC | JP-3GA-24.086(R99) | 3.0.0 | Approved | Mar 00 | http://www.ttc.or.jp/j/document_list/pdf/j/STD/JP-3GA-24.086(R99)v1.pdf |
| Release 4 | | | | | |
| CCSA | CCSA-TSD-DS-24.086 | 4.0.1 | Published | Jun 12 | http://www.ccsa.org.cn/english/tc/files.php?docpath=/ITU-R/M.1457/M.1457-12/DS |
| ETSI | ETSI TS 124 086 | 4.0.1 | Published | Jul 02 | http://www.etsi.org/deliver/etsi_ts/124000_124099/124086/04.00.01_60/ |
| TTC | TS-3GA-24.086(Rel4)v4.0.0 | 4.0.0 | Approved | May 01 | http://www.ttc.or.jp/j/document_list/free/TS/TS-3GA-24.086(Rel4)v4.0.0.pdf |
| Release 5 | | | | | |
| CCSA | CCSA-TSD-DS-24.086 | 5.0.0 | Published | Jun 12 | http://www.ccsa.org.cn/english/tc/files.php?docpath=/ITU-R/M.1457/M.1457-12/DS |
| ETSI | ETSI TS 124 086 | 5.0.0 | Published | Jul 02 | http://www.etsi.org/deliver/etsi_ts/124000_124099/124086/05.00.00_60/ |
| TTC | TS-3GA-24.086(Rel5)v5.0.0 | 5.0.0 | Approved | Aug 02 | http://www.ttc.or.jp/j/document_list/free/TS/TS-3GA-24.086(Rel5)v5.0.0.pdf |
| Release 6 | | | | | |
| CCSA | CCSA-TSD-DS-24.086 | 6.0.0 | Published | Jun 12 | http://www.ccsa.org.cn/english/tc/files.php?docpath=/ITU-R/M.1457/M.1457-12/DS |
| ETSI | ETSI TS 124 086 | 6.0.0 | Published | Jan 05 | http://www.etsi.org/deliver/etsi_ts/124000_124099/124086/06.00.00_60/ |
| TTC | TS-3GA-24.086(Rel6)v6.0.0 | 6.0.0 | Approved | Mar 05 | http://www.ttc.or.jp/j/document_list/free/TS/TS-3GA-24.086(Rel6)v6.0.0.pdf |
| Release 7 | | | | | |
| CCSA | CCSA-TSD-DS-24.086 | 7.0.0 | Published | Jun 12 | http://www.ccsa.org.cn/english/tc/files.php?docpath=/ITU-R/M.1457/M.1457-12/DS |
| ETSI | ETSI TS 124 086 | 7.0.0 | Published | Jul 07 | http://www.etsi.org/deliver/etsi_ts/124000_124099/124086/07.00.00_60/ |
| TTC | TS-3GA-24.086(Rel7)v7.0.0 | 7.0.0 | Approved | Mar 08 | http://www.ttc.or.jp/j/document_list/free/TS/TS-3GA-24.086(Rel7)v7.0.0.pdf |
| Release 8 | | | | | |
| CCSA | CCSA-TSD-DS-24.086 | 8.0.0 | Published | Jun 12 | http://www.ccsa.org.cn/english/tc/files.php?docpath=/ITU-R/M.1457/M.1457-12/DS |
| ETSI | ETSI TS 124 086 | 8.0.0 | Published | Jan 09 | http://www.etsi.org/deliver/etsi_ts/124000_124099/124086/08.00.00_60/ |
| TTC | TS-3GA-24.086(Rel8)v8.0.0 | 8.0.0 | Approved | Feb 09 | http://www.ttc.or.jp/j/document_list/free/3gpps2009/TS/TS-3GA-24.086(Rel8)v8.0.0.pdf |
| Release 9 | | | | | |
| ATIS | ATIS.3GPP.24.086V900-2010 | 9.0.0 | Approved | Jul 10 | https://www.atis.org/docstore/default.aspx |
| CCSA | CCSA-TSD-DS-24.086 | 9.0.0 | Published | Jun 12 | http://www.ccsa.org.cn/english/tc/files.php?docpath=/ITU-R/M.1457/M.1457-12/DS |
| ETSI | ETSI TS 124 086 | 9.0.0 | Published | Jan 10 | http://www.etsi.org/deliver/etsi_ts/124000_124099/124086/09.00.00_60/ |
| TTA | TTAT.3G-24.086(R9-9.0.0) | 9.0.0 | Approved | Jul 10 | http://www.tta.or.kr/data/ttasDown.jsp?where=14688&pk_num=TTAT.3G-24.086(R9-9.0.0) |
| TTC | TS-3GA-24.086(Rel9)v9.0.0 | 9.0.0 | Approved | Jul 10 | http://www.ttc.or.jp/j/document_list/free/3gpps2010/TS/TS-3GA-24.086(Rel9)v9.0.0.pdf |
| Release 10 | | | | | |
| ATIS | ATIS.3GPP.24.086V1000-2012 | 10.0.0 | Approved | Jul 12 | https://www.atis.org/docstore/default.aspx |
| CCSA | CCSA-TSD-DS-24.086 | 10.0.0 | Published | Jun 12 | http://www.ccsa.org.cn/english/tc/files.php?docpath=/ITU-R/M.1457/M.1457-12/DS |
| ETSI | ETSI TS 124 086 | 10.0.0 | Published | May 11 | http://www.etsi.org/deliver/etsi_ts/124000_124099/124086/10.00.00_60/ |
| TTA | TTAT.3G-24.086(R10-10.0.0) | 10.0.0 | Approved | Apr 12 | http://www.tta.or.kr/data/ttasDown.jsp?where=14688&pk_num=TTAT.3G-24.086(R10-10.0.0) |
| TTC | TS-3GA-24.086(Rel10)v10.0.0 | 10.0.0 | Approved | Jun 11 | http://www.ttc.or.jp/j/document_list/free/3gpps2011/TS/TS-3GA-24.086(Rel10)v10.0.0.pdf |
| Release 11 | | | | | |
| ATIS | ATIS.3GPP.24.086V1100-2014 | 11.0.0 | Approved | May 14 | https://www.atis.org/docstore/default.aspx |
| CCSA | CCSA-TSD-DS-24.086 | 11.0.0 | Published | Jun 14 | http://www.ccsa.org.cn/english/tc/files.php?docpath=/ITU-R/M.1457/M.1457-12/DS |
| ETSI | ETSI TS 124 086 | 11.0.0 | Published | Oct 12 | http://www.etsi.org/deliver/etsi_ts/124000_124099/124086/11.00.00_60/ |
| TTA | TTAT.3G-24.086(R11-11.0.0) | 11.0.0 | published | Aug 13 | http://www.tta.or.kr/data/ttasDown.jsp?where=14688&pk_num=TTAT.3G-24.086(R11-11.0.0) |
| TTC | TS-3GA-24.086(Rel11)v11.0.0 | 11.0.0 | Approved | Jun 13 | http://www.ttc.or.jp/j/document_list/free/3gpps2013/TS/TS-3GA-24.086(Rel11)v11.0.0.pdf |

5.1.2.12.59 TS 24.087

User-to-User Signalling (UUS) Supplementary Service; Stage 3

This document gives the stage 3 description of the three User-to-User signalling supplementary services.

| SDO (2) | Document No. | Version | Status | Issued date | Location (1) |
|-------------------|-----------------------------|---------|-----------|-------------|---|
| Release 99 | | | | | |
| CCSA | CCSA-TSD-DS-24.087 | 3.0.0 | Published | Jun 12 | http://www.ccsa.org.cn/english/tc/files.php?docpath=/ITU-R/M.1457/M.1457-12/DS |
| ETSI | ETSI TS 124 087 | 3.0.0 | Published | Feb 00 | http://www.etsi.org/deliver/etsi_ts/124000_124099/124087/03.00.00_60/ |
| TTC | JP-3GA-24.087(R99) | 3.0.0 | Approved | Mar 00 | http://www.ttc.or.jp/j/document_list/pdf/j/STD/JP-3GA-24.087(R99)v1.pdf |
| Release 4 | | | | | |
| CCSA | CCSA-TSD-DS-24.087 | 4.0.1 | Published | Jun 12 | http://www.ccsa.org.cn/english/tc/files.php?docpath=/ITU-R/M.1457/M.1457-12/DS |
| ETSI | ETSI TS 124 087 | 4.0.1 | Published | Jul 02 | http://www.etsi.org/deliver/etsi_ts/124000_124099/124087/04.00.01_60/ |
| TTC | TS-3GA-24.087(Rel4)v4.0.0 | 4.0.0 | Approved | May 01 | http://www.ttc.or.jp/j/document_list/free/TS/TS-3GA-24.087(Rel4)v4.0.0.pdf |
| Release 5 | | | | | |
| CCSA | CCSA-TSD-DS-24.087 | 5.0.0 | Published | Jun 12 | http://www.ccsa.org.cn/english/tc/files.php?docpath=/ITU-R/M.1457/M.1457-12/DS |
| ETSI | ETSI TS 124 087 | 5.0.0 | Published | Jul 02 | http://www.etsi.org/deliver/etsi_ts/124000_124099/124087/05.00.00_60/ |
| TTC | TS-3GA-24.087(Rel5)v5.0.0 | 5.0.0 | Approved | Aug 02 | http://www.ttc.or.jp/j/document_list/free/TS/TS-3GA-24.087(Rel5)v5.0.0.pdf |
| Release 6 | | | | | |
| CCSA | CCSA-TSD-DS-24.087 | 6.0.0 | Published | Jun 12 | http://www.ccsa.org.cn/english/tc/files.php?docpath=/ITU-R/M.1457/M.1457-12/DS |
| ETSI | ETSI TS 124 087 | 6.0.0 | Published | Jan 05 | http://www.etsi.org/deliver/etsi_ts/124000_124099/124087/06.00.00_60/ |
| TTC | TS-3GA-24.087(Rel6)v6.0.0 | 6.0.0 | Approved | Mar 05 | http://www.ttc.or.jp/j/document_list/free/TS/TS-3GA-24.087(Rel6)v6.0.0.pdf |
| Release 7 | | | | | |
| CCSA | CCSA-TSD-DS-24.087 | 7.0.0 | Published | Jun 12 | http://www.ccsa.org.cn/english/tc/files.php?docpath=/ITU-R/M.1457/M.1457-12/DS |
| ETSI | ETSI TS 124 087 | 7.0.0 | Published | Jul 07 | http://www.etsi.org/deliver/etsi_ts/124000_124099/124087/07.00.00_60/ |
| TTC | TS-3GA-24.087(Rel7)v7.0.0 | 7.0.0 | Approved | Mar 08 | http://www.ttc.or.jp/j/document_list/free/TS/TS-3GA-24.087(Rel7)v7.0.0.pdf |
| Release 8 | | | | | |
| CCSA | CCSA-TSD-DS-24.087 | 8.0.0 | Published | Jun 12 | http://www.ccsa.org.cn/english/tc/files.php?docpath=/ITU-R/M.1457/M.1457-12/DS |
| ETSI | ETSI TS 124 087 | 8.0.0 | Published | Jan 09 | http://www.etsi.org/deliver/etsi_ts/124000_124099/124087/08.00.00_60/ |
| TTC | TS-3GA-24.087(Rel8)v8.0.0 | 8.0.0 | Approved | Feb 09 | http://www.ttc.or.jp/j/document_list/free/3gpps2009/TS/TS-3GA-24.087(Rel8)v8.0.0.pdf |
| Release 9 | | | | | |
| ATIS | ATIS.3GPP.24.087V900-2010 | 9.0.0 | Approved | Jul 10 | https://www.atis.org/docstore/default.aspx |
| CCSA | CCSA-TSD-DS-24.087 | 9.0.0 | Published | Jun 12 | http://www.ccsa.org.cn/english/tc/files.php?docpath=/ITU-R/M.1457/M.1457-12/DS |
| ETSI | ETSI TS 124 087 | 9.0.0 | Published | Jan 10 | http://www.etsi.org/deliver/etsi_ts/124000_124099/124087/09.00.00_60/ |
| TTA | TTAT.3G-24.087(R9-9.0.0) | 9.0.0 | Approved | Jul 10 | http://www.tta.or.kr/data/ttasDown.jsp?where=14688&pk_num=TTAT.3G-24.087(R9-9.0.0) |
| TTC | TS-3GA-24.087(Rel9)v9.0.0 | 9.0.0 | Approved | Jul 10 | http://www.ttc.or.jp/j/document_list/free/3gpps2010/TS/TS-3GA-24.087(Rel9)v9.0.0.pdf |
| Release 10 | | | | | |
| ATIS | ATIS.3GPP.24.087V1000-2012 | 10.0.0 | Approved | Jul 12 | https://www.atis.org/docstore/default.aspx |
| CCSA | CCSA-TSD-DS-24.087 | 10.0.0 | Published | Jun 12 | http://www.ccsa.org.cn/english/tc/files.php?docpath=/ITU-R/M.1457/M.1457-12/DS |
| ETSI | ETSI TS 124 087 | 10.0.0 | Published | May 11 | http://www.etsi.org/deliver/etsi_ts/124000_124099/124087/10.00.00_60/ |
| TTA | TTAT.3G-24.087(R10-10.0.0) | 10.0.0 | Approved | Apr 12 | http://www.tta.or.kr/data/ttasDown.jsp?where=14688&pk_num=TTAT.3G-24.087(R10-10.0.0) |
| TTC | TS-3GA-24.087(Rel10)v10.0.0 | 10.0.0 | Approved | Jun 11 | http://www.ttc.or.jp/j/document_list/free/3gpps2011/TS/TS-3GA-24.087(Rel10)v10.0.0.pdf |
| Release 11 | | | | | |
| ATIS | ATIS.3GPP.24.087V1100-2014 | 11.0.0 | Approved | May 14 | https://www.atis.org/docstore/default.aspx |
| CCSA | CCSA-TSD-DS-24.087 | 11.0.0 | Published | Jun 14 | http://www.ccsa.org.cn/english/tc/files.php?docpath=/ITU-R/M.1457/M.1457-12/DS |
| ETSI | ETSI TS 124 087 | 11.0.0 | Published | Oct 12 | http://www.etsi.org/deliver/etsi_ts/124000_124099/124087/11.00.00_60/ |

| | | | | | |
|-----|-----------------------------|--------|-----------|--------|---|
| TTA | TTAT.3G-24.087(R11-11.0.0) | 11.0.0 | published | Aug 13 | http://www.tta.or.kr/data/ttasDown.jsp?where=14688&pk_num=TTAT.3G-24.087(R11-11.0.0) |
| TTC | TS-3GA-24.087(Rel11)v11.0.0 | 11.0.0 | Approved | Jun 13 | http://www.ttc.or.jp/j/document_list/free/3gpps2013/TS/TS-3GA-24.087(Rel11)v11.0.0.pdf |

5.1.2.12.60 TS 24.088

Call Barring (CB) supplementary service; Stage 3

This document specifies the procedures used at the radio interface (reference point Um as defined in 3GPP TS 24.002) for normal operation, registration, erasure, activation, deactivation, invocation and interrogation of call barring supplementary services.

In 3GPP TS 24.010 the general aspects of the specification of supplementary services at the layer 3 radio interface are given.

3GPP TS 24.080 specifies the formats and coding for the supplementary services.

Definitions and descriptions of supplementary services are given in 3GPP TS 22.004, 22.08x and 22.09x series.

Technical realization of supplementary services is described in 3GPP TS 23.011, 23.08x and 23.09x series.

The procedures for Call Control, Mobility Management and Radio Resource management at the layer 3 radio interface are defined in 3GPP TS 24.007 and 3GPP TS 24.008.

The following supplementary services belong to the call restriction supplementary services and are described in this specification:

- Barring of outgoing calls;
- Barring of incoming calls

| SDO (2) | Document No. | Version | Status | Issued date | Location (1) |
|-------------------|---------------------------|---------|-----------|-------------|---|
| Release 99 | | | | | |
| CCSA | CCSA-TSD-DS-24.088 | 3.0.0 | Published | Jun 12 | http://www.ccsa.org.cn/english/tc/files.php?docpath=/ITU-R/M.1457/M.1457-12/DS |
| ETSI | ETSI TS 124 088 | 3.0.0 | Published | Feb 00 | http://www.etsi.org/deliver/etsi_ts/124000_124099/124088/03.00.00_60/ |
| TTC | JP-3GA-24.088(R99) | 3.0.0 | Approved | Mar 00 | http://www.ttc.or.jp/j/document_list/pdf/j/STD/JP-3GA-24.088(R99)v1.pdf |
| Release 4 | | | | | |
| CCSA | CCSA-TSD-DS-24.088 | 4.0.2 | Published | Jun 12 | http://www.ccsa.org.cn/english/tc/files.php?docpath=/ITU-R/M.1457/M.1457-12/DS |
| ETSI | ETSI TS 124 088 | 4.0.2 | Published | Jul 02 | http://www.etsi.org/deliver/etsi_ts/124000_124099/124088/04.00.02_60/ |
| TTC | TS-3GA-24.088(Rel4)v4.0.0 | 4.0.0 | Approved | May 01 | http://www.ttc.or.jp/j/document_list/free/TS/TS-3GA-24.088(Rel4)v4.0.0.pdf |
| Release 5 | | | | | |
| CCSA | CCSA-TSD-DS-24.088 | 5.0.0 | Published | Jun 12 | http://www.ccsa.org.cn/english/tc/files.php?docpath=/ITU-R/M.1457/M.1457-12/DS |
| ETSI | ETSI TS 124 088 | 5.0.0 | Published | Jul 02 | http://www.etsi.org/deliver/etsi_ts/124000_124099/124088/05.00.00_60/ |
| TTC | TS-3GA-24.088(Rel5)v5.0.0 | 5.0.0 | Approved | Aug 02 | http://www.ttc.or.jp/j/document_list/free/TS/TS-3GA-24.088(Rel5)v5.0.0.pdf |
| Release 6 | | | | | |
| CCSA | CCSA-TSD-DS-24.088 | 6.0.0 | Published | Jun 12 | http://www.ccsa.org.cn/english/tc/files.php?docpath=/ITU-R/M.1457/M.1457-12/DS |
| ETSI | ETSI TS 124 088 | 6.0.0 | Published | Jan 05 | http://www.etsi.org/deliver/etsi_ts/124000_124099/124088/06.00.00_60/ |
| TTC | TS-3GA-24.088(Rel6)v6.0.0 | 6.0.0 | Approved | Mar 05 | http://www.ttc.or.jp/j/document_list/free/TS/TS-3GA-24.088(Rel6)v6.0.0.pdf |

Release 7

| | | | | | |
|------|---------------------------|-------|-----------|--------|---|
| CCSA | CCSA-TSD-DS-24.088 | 7.0.0 | Published | Jun 12 | http://www.ccsa.org.cn/english/tc/files.php?docpath=/ITU-R/M.1457/M.1457-12/DS |
| ETSI | ETSI TS 124 088 | 7.0.0 | Published | Jul 07 | http://www.etsi.org/deliver/etsi_ts/124000_124099/124088/07.00.00_60/ |
| TTC | TS-3GA-24.088(Rel7)v7.0.0 | 7.0.0 | Approved | Mar 08 | http://www.ttc.or.jp/j/document_list/free/TS/TS-3GA-24.088(Rel7)v7.0.0.pdf |

Release 8

| | | | | | |
|------|---------------------------|-------|-----------|--------|---|
| CCSA | CCSA-TSD-DS-24.088 | 8.0.0 | Published | Jun 12 | http://www.ccsa.org.cn/english/tc/files.php?docpath=/ITU-R/M.1457/M.1457-12/DS |
| ETSI | ETSI TS 124 088 | 8.0.0 | Published | Jan 09 | http://www.etsi.org/deliver/etsi_ts/124000_124099/124088/08.00.00_60/ |
| TTC | TS-3GA-24.088(Rel8)v8.0.0 | 8.0.0 | Approved | Feb 09 | http://www.ttc.or.jp/j/document_list/free/3gpps2009/TS/TS-3GA-24.088(Rel8)v8.0.0.pdf |

Release 9

| | | | | | |
|------|---------------------------|-------|-----------|--------|---|
| ATIS | ATIS.3GPP.24.088V900-2010 | 9.0.0 | Approved | Jul 10 | https://www.atis.org/docstore/default.aspx |
| CCSA | CCSA-TSD-DS-24.088 | 9.0.0 | Published | Jun 12 | http://www.ccsa.org.cn/english/tc/files.php?docpath=/ITU-R/M.1457/M.1457-12/DS |
| ETSI | ETSI TS 124 088 | 9.0.0 | Published | Jan 10 | http://www.etsi.org/deliver/etsi_ts/124000_124099/124088/09.00.00_60/ |
| TTA | TTAT.3G-24.088(R9-9.0.0) | 9.0.0 | Approved | Jul 10 | http://www.tta.or.kr/data/ttasDown.jsp?where=14688&pk_num=TTAT.3G-24.088(R9-9.0.0) |
| TTC | TS-3GA-24.088(Rel9)v9.0.0 | 9.0.0 | Approved | Jul 10 | http://www.ttc.or.jp/j/document_list/free/3gpps2010/TS/TS-3GA-24.088(Rel9)v9.0.0.pdf |

Release 10

| | | | | | |
|------|-----------------------------|--------|-----------|--------|---|
| ATIS | ATIS.3GPP.24.088V1000-2012 | 10.0.0 | Approved | Jul 12 | https://www.atis.org/docstore/default.aspx |
| CCSA | CCSA-TSD-DS-24.088 | 10.0.0 | Published | Jun 12 | http://www.ccsa.org.cn/english/tc/files.php?docpath=/ITU-R/M.1457/M.1457-12/DS |
| ETSI | ETSI TS 124 088 | 10.0.0 | Published | May 11 | http://www.etsi.org/deliver/etsi_ts/124000_124099/124088/10.00.00_60/ |
| TTA | TTAT.3G-24.088(R10-10.0.0) | 10.0.0 | Approved | Apr 12 | http://www.tta.or.kr/data/ttasDown.jsp?where=14688&pk_num=TTAT.3G-24.088(R10-10.0.0) |
| TTC | TS-3GA-24.088(Rel10)v10.0.0 | 10.0.0 | Approved | Jun 11 | http://www.ttc.or.jp/j/document_list/free/3gpps2011/TS/TS-3GA-24.088(Rel10)v10.0.0.pdf |

Release 11

| | | | | | |
|------|-----------------------------|--------|-----------|--------|---|
| ATIS | ATIS.3GPP.24.088V1100-2014 | 11.0.0 | Approved | May 14 | https://www.atis.org/docstore/default.aspx |
| CCSA | CCSA-TSD-DS-24.088 | 11.0.0 | Published | Jun 14 | http://www.ccsa.org.cn/english/tc/files.php?docpath=/ITU-R/M.1457/M.1457-12/DS |
| ETSI | ETSI TS 124 088 | 11.0.0 | Published | Nov 12 | http://www.etsi.org/deliver/etsi_ts/124000_124099/124088/11.00.00_60/ |
| TTA | TTAT.3G-24.088(R11-11.0.0) | 11.0.0 | published | Aug 13 | http://www.tta.or.kr/data/ttasDown.jsp?where=14688&pk_num=TTAT.3G-24.088(R11-11.0.0) |
| TTC | TS-3GA-24.088(Rel11)v11.0.0 | 11.0.0 | Approved | Jun 13 | http://www.ttc.or.jp/j/document_list/free/3gpps2013/TS/TS-3GA-24.088(Rel11)v11.0.0.pdf |

5.1.2.12.61 TS 24.090**Unstructured Supplementary Service Data (USSD); Stage 3**

This document gives the stage 3 description of the Unstructured Supplementary Service Data (USSD) operations. The group of unstructured supplementary service data operations is divided into two different classes:

- Network initiated unstructured supplementary service data operations;
- Mobile initiated unstructured supplementary service data operations.

| SDO (2) | Document No. | Version | Status | Issued date | Location (1) |
|---------|--------------|---------|--------|-------------|--------------|
|---------|--------------|---------|--------|-------------|--------------|

Release 99

| | | | | | |
|------|--------------------|-------|-----------|--------|---|
| CCSA | CCSA-TSD-DS-24.090 | 3.0.0 | Published | Jun 12 | http://www.ccsa.org.cn/english/tc/files.php?docpath=/ITU-R/M.1457/M.1457-12/DS |
| ETSI | ETSI TS 124 090 | 3.0.0 | Published | Feb 00 | http://www.etsi.org/deliver/etsi_ts/124000_124099/124090/03.00.00_60/ |
| TTC | JP-3GA-24.090(R99) | 3.0.0 | Approved | Mar 00 | http://www.ttc.or.jp/j/document_list/pdf/j/STD/JP-3GA-24.090(R99)v1.pdf |

Release 4

| | | | | | |
|------|---------------------------|-------|-----------|--------|---|
| CCSA | CCSA-TSD-DS-24.090 | 4.0.1 | Published | Jun 12 | http://www.ccsa.org.cn/english/tc/files.php?docpath=/ITU-R/M.1457/M.1457-12/DS |
| ETSI | ETSI TS 124 090 | 4.0.1 | Published | Jul 02 | http://www.etsi.org/deliver/etsi_ts/124000_124099/124090/04.00.01_60/ |
| TTC | TS-3GA-24.090(Rel4)v4.0.0 | 4.0.0 | Approved | May 01 | http://www.ttc.or.jp/j/document_list/free/TS/TS-3GA-24.090(Rel4)v4.0.0.pdf |

Release 5

| | | | | | |
|------|---------------------------|-------|-----------|--------|---|
| CCSA | CCSA-TSD-DS-24.090 | 5.0.0 | Published | Jun 12 | http://www.ccsa.org.cn/english/tc/files.php?docpath=/ITU-R/M.1457/M.1457-12/DS |
| ETSI | ETSI TS 124 090 | 5.0.0 | Published | Jul 02 | http://www.etsi.org/deliver/etsi_ts/124000_124099/124090/05.00.00_60/ |
| TTC | TS-3GA-24.090(Rel5)v5.0.0 | 5.0.0 | Approved | Aug 02 | http://www.ttc.or.jp/j/document_list/free/TS/TS-3GA-24.090(Rel5)v5.0.0.pdf |

Release 6

| | | | | | |
|------|---------------------------|-------|-----------|--------|---|
| CCSA | CCSA-TSD-DS-24.090 | 6.0.0 | Published | Jun 12 | http://www.ccsa.org.cn/english/tc/files.php?docpath=/ITU-R/M.1457/M.1457-12/DS |
| ETSI | ETSI TS 124 090 | 6.0.0 | Published | Jan 05 | http://www.etsi.org/deliver/etsi_ts/124000_124099/124090/06.00.00_60/ |
| TTC | TS-3GA-24.090(Rel6)v6.0.0 | 6.0.0 | Approved | Mar 05 | http://www.ttc.or.jp/j/document_list/free/TS/TS-3GA-24.090(Rel6)v6.0.0.pdf |

Release 7

| | | | | | |
|------|---------------------------|-------|-----------|--------|---|
| CCSA | CCSA-TSD-DS-24.090 | 7.0.0 | Published | Jun 12 | http://www.ccsa.org.cn/english/tc/files.php?docpath=/ITU-R/M.1457/M.1457-12/DS |
| ETSI | ETSI TS 124 090 | 7.0.0 | Published | Jul 07 | http://www.etsi.org/deliver/etsi_ts/124000_124099/124090/07.00.00_60/ |
| TTC | TS-3GA-24.090(Rel7)v7.0.0 | 7.0.0 | Approved | Mar 08 | http://www.ttc.or.jp/j/document_list/free/TS/TS-3GA-24.090(Rel7)v7.0.0.pdf |

Release 8

| | | | | | |
|------|---------------------------|-------|-----------|--------|---|
| CCSA | CCSA-TSD-DS-24.090 | 8.0.0 | Published | Jun 12 | http://www.ccsa.org.cn/english/tc/files.php?docpath=/ITU-R/M.1457/M.1457-12/DS |
| ETSI | ETSI TS 124 090 | 8.0.0 | Published | Jan 09 | http://www.etsi.org/deliver/etsi_ts/124000_124099/124090/08.00.00_60/ |
| TTC | TS-3GA-24.090(Rel8)v8.0.0 | 8.0.0 | Approved | Feb 09 | http://www.ttc.or.jp/j/document_list/free/3gpps2009/TS/TS-3GA-24.090(Rel8)v8.0.0.pdf |

Release 9

| | | | | | |
|------|---------------------------|-------|-----------|--------|---|
| ATIS | ATIS.3GPP.24.090V900-2010 | 9.0.0 | Approved | Jul 10 | https://www.atis.org/docstore/default.aspx |
| CCSA | CCSA-TSD-DS-24.090 | 9.0.0 | Published | Jun 12 | http://www.ccsa.org.cn/english/tc/files.php?docpath=/ITU-R/M.1457/M.1457-12/DS |
| ETSI | ETSI TS 124 090 | 9.0.0 | Published | Jan 10 | http://www.etsi.org/deliver/etsi_ts/124000_124099/124090/09.00.00_60/ |
| TTA | TTAT.3G-24.090(R9-9.0.0) | 9.0.0 | Approved | Jul 10 | http://www.tta.or.kr/data/ttasDown.jsp?where=14688&pk_num=TTAT.3G-24.090(R9-9.0.0) |
| TTC | TS-3GA-24.090(Rel9)v9.0.0 | 9.0.0 | Approved | Jul 10 | http://www.ttc.or.jp/j/document_list/free/3gpps2010/TS/TS-3GA-24.090(Rel9)v9.0.0.pdf |

Release 10

| | | | | | |
|------|-----------------------------|--------|-----------|--------|---|
| ATIS | ATIS.3GPP.24.090V1000-2012 | 10.0.0 | Approved | Jul 12 | https://www.atis.org/docstore/default.aspx |
| CCSA | CCSA-TSD-DS-24.090 | 10.0.0 | Published | Jun 12 | http://www.ccsa.org.cn/english/tc/files.php?docpath=/ITU-R/M.1457/M.1457-12/DS |
| ETSI | ETSI TS 124 090 | 10.0.0 | Published | May 11 | http://www.etsi.org/deliver/etsi_ts/124000_124099/124090/10.00.00_60/ |
| TTA | TTAT.3G-24.090(R10-10.0.0) | 10.0.0 | Approved | Apr 12 | http://www.tta.or.kr/data/ttasDown.jsp?where=14688&pk_num=TTAT.3G-24.090(R10-10.0.0) |
| TTC | TS-3GA-24.090(Rel10)v10.0.0 | 10.0.0 | Approved | Jun 11 | http://www.ttc.or.jp/j/document_list/free/3gpps2011/TS/TS-3GA-24.090(Rel10)v10.0.0.pdf |

Release 11

| | | | | | |
|------|-----------------------------|--------|-----------|--------|---|
| ATIS | ATIS.3GPP.24.090V1100-2014 | 11.0.0 | Approved | May 14 | https://www.atis.org/docstore/default.aspx |
| CCSA | CCSA-TSD-DS-24.090 | 11.0.0 | Published | Jun 14 | http://www.ccsa.org.cn/english/tc/files.php?docpath=/ITU-R/M.1457/M.1457-12/DS |
| ETSI | ETSI TS 124 090 | 11.0.0 | Published | Oct 12 | http://www.etsi.org/deliver/etsi_ts/124000_124099/124090/11.00.00_60/ |
| TTA | TTAT.3G-24.090(R11-11.0.0) | 11.0.0 | published | Aug 13 | http://www.tta.or.kr/data/ttasDown.jsp?where=14688&pk_num=TTAT.3G-24.090(R11-11.0.0) |
| TTC | TS-3GA-24.090(Rel11)v11.0.0 | 11.0.0 | Approved | Jun 13 | http://www.ttc.or.jp/j/document_list/free/3gpps2013/TS/TS-3GA-24.090(Rel11)v11.0.0.pdf |

5.1.2.12.62 TS 24.091**Explicit Call Transfer (ECT) supplementary service; Stage 3**

This document gives the stage 3 description of the call transfer supplementary services. It specifies the procedures used at the radio interface (reference point Um as defined in 3GPP TS 24.002) for normal operation, registration, erasure, activation, deactivation, invocation and interrogation of call transfer supplementary services.

In 3GPP TS 24.010 the general aspects of the specification of supplementary services at the layer 3 radio interface are given.

3GPP TS 24.080 specifies the formats and coding for the supplementary services.

Definitions and descriptions of supplementary services are given in 3GPP TS 22.004, 3GPP TS 22.08x and 3GPP TS 22.09x series. 3GPP TS 22.091 is related specifically to call transfer supplementary services.

The technical realization of supplementary services is described in 3GPP TS 23.011, 3GPP TS 23.08x and 3GPP TS 23.09x series. 3GPP TS 23.091 is related specifically to call transfer supplementary services.

The procedures for Call Control, Mobility Management and Radio Resource management at the layer 3 radio interface are defined in 3GPP TS 24.007 and 3GPP TS 24.008.

The following supplementary services belong to the call transfer supplementary services and are described in this document:

- Explicit Call Transfer (ECT).

| SDO (2) | Document No. | Version | Status | Issued date | Location (1) |
|-------------------|---------------------------|---------|-----------|-------------|---|
| Release 99 | | | | | |
| CCSA | CCSA-TSD-DS-24.091 | 3.0.0 | Published | Jun 12 | http://www.ccsa.org.cn/english/tc/files.php?docpath=/ITU-R/M.1457/M.1457-12/DS |
| ETSI | ETSI TS 124 091 | 3.0.0 | Published | Feb 00 | http://www.etsi.org/deliver/etsi_ts/124000_124099/124091/03.00.00_60/ |
| TTC | JP-3GA-24.091(R99) | 3.0.0 | Approved | Mar 00 | http://www.ttc.or.jp/j/document_list/pdf/j/STD/JP-3GA-24.091(R99)v1.pdf |
| Release 4 | | | | | |
| CCSA | CCSA-TSD-DS-24.091 | 4.0.1 | Published | Jun 12 | http://www.ccsa.org.cn/english/tc/files.php?docpath=/ITU-R/M.1457/M.1457-12/DS |
| ETSI | ETSI TS 124 091 | 4.0.1 | Published | Jul 02 | http://www.etsi.org/deliver/etsi_ts/124000_124099/124091/04.00.01_60/ |
| TTC | TS-3GA-24.091(Rel4)v4.0.0 | 4.0.0 | Approved | May 01 | http://www.ttc.or.jp/j/document_list/free/TS/TS-3GA-24.091(Rel4)v4.0.0.pdf |
| Release 5 | | | | | |
| CCSA | CCSA-TSD-DS-24.091 | 5.0.0 | Published | Jun 12 | http://www.ccsa.org.cn/english/tc/files.php?docpath=/ITU-R/M.1457/M.1457-12/DS |
| ETSI | ETSI TS 124 091 | 5.0.0 | Published | Jul 02 | http://www.etsi.org/deliver/etsi_ts/124000_124099/124091/05.00.00_60/ |
| TTC | TS-3GA-24.091(Rel5)v5.0.0 | 5.0.0 | Approved | Aug 02 | http://www.ttc.or.jp/j/document_list/free/TS/TS-3GA-24.091(Rel5)v5.0.0.pdf |
| Release 6 | | | | | |
| CCSA | CCSA-TSD-DS-24.091 | 6.0.0 | Published | Jun 12 | http://www.ccsa.org.cn/english/tc/files.php?docpath=/ITU-R/M.1457/M.1457-12/DS |
| ETSI | ETSI TS 124 091 | 6.0.0 | Published | Jan 05 | http://www.etsi.org/deliver/etsi_ts/124000_124099/124091/06.00.00_60/ |
| TTC | TS-3GA-24.091(Rel6)v6.0.0 | 6.0.0 | Approved | Mar 05 | http://www.ttc.or.jp/j/document_list/free/TS/TS-3GA-24.091(Rel6)v6.0.0.pdf |
| Release 7 | | | | | |
| CCSA | CCSA-TSD-DS-24.091 | 7.0.0 | Published | Jun 12 | http://www.ccsa.org.cn/english/tc/files.php?docpath=/ITU-R/M.1457/M.1457-12/DS |
| ETSI | ETSI TS 124 091 | 7.0.0 | Published | Jul 07 | http://www.etsi.org/deliver/etsi_ts/124000_124099/124091/07.00.00_60/ |
| TTC | TS-3GA-24.091(Rel7)v7.0.0 | 7.0.0 | Approved | Mar 08 | http://www.ttc.or.jp/j/document_list/free/TS/TS-3GA-24.091(Rel7)v7.0.0.pdf |

Release 8

| | | | | | |
|------|---------------------------|-------|-----------|--------|---|
| CCSA | CCSA-TSD-DS-24.091 | 8.0.0 | Published | Jun 12 | http://www.ccsa.org.cn/english/tc/files.php?docpath=/ITU-R/M.1457/M.1457-12/DS |
| ETSI | ETSI TS 124 091 | 8.0.0 | Published | Jan 09 | http://www.etsi.org/deliver/etsi_ts/124000_124099/124091/08.00.00_60/ |
| TTC | TS-3GA-24.091(Rel8)v8.0.0 | 8.0.0 | Approved | Feb 09 | http://www.ttc.or.jp/j/document_list/free/3gpps2009/TS/TS-3GA-24.091(Rel8)v8.0.0.pdf |

Release 9

| | | | | | |
|------|---------------------------|-------|-----------|--------|---|
| ATIS | ATIS.3GPP.24.091V900-2010 | 9.0.0 | Approved | Jul 10 | https://www.atis.org/docstore/default.aspx |
| CCSA | CCSA-TSD-DS-24.091 | 9.0.0 | Published | Jun 12 | http://www.ccsa.org.cn/english/tc/files.php?docpath=/ITU-R/M.1457/M.1457-12/DS |
| ETSI | ETSI TS 124 091 | 9.0.0 | Published | Jan 10 | http://www.etsi.org/deliver/etsi_ts/124000_124099/124091/09.00.00_60/ |
| TTA | TTAT.3G-24.091(R9-9.0.0) | 9.0.0 | Approved | Jul 10 | http://www.tta.or.kr/data/ttasDown.jsp?where=14688&pk_num=TTAT.3G-24.091(R9-9.0.0) |
| TTC | TS-3GA-24.091(Rel9)v9.0.0 | 9.0.0 | Approved | Jul 10 | http://www.ttc.or.jp/j/document_list/free/3gpps2010/TS/TS-3GA-24.091(Rel9)v9.0.0.pdf |

Release 10

| | | | | | |
|------|-----------------------------|--------|-----------|--------|---|
| ATIS | ATIS.3GPP.24.091V1000-2012 | 10.0.0 | Approved | Jul 12 | https://www.atis.org/docstore/default.aspx |
| CCSA | CCSA-TSD-DS-24.091 | 10.0.0 | Published | Jun 12 | http://www.ccsa.org.cn/english/tc/files.php?docpath=/ITU-R/M.1457/M.1457-12/DS |
| ETSI | ETSI TS 124 091 | 10.0.0 | Published | May 11 | http://www.etsi.org/deliver/etsi_ts/124000_124099/124091/10.00.00_60/ |
| TTA | TTAT.3G-24.091(R10-10.0.0) | 10.0.0 | Approved | Apr 12 | http://www.tta.or.kr/data/ttasDown.jsp?where=14688&pk_num=TTAT.3G-24.091(R10-10.0.0) |
| TTC | TS-3GA-24.091(Rel10)v10.0.0 | 10.0.0 | Approved | Jun 11 | http://www.ttc.or.jp/j/document_list/free/3gpps2011/TS/TS-3GA-24.091(Rel10)v10.0.0.pdf |

Release 11

| | | | | | |
|------|-----------------------------|--------|-----------|--------|---|
| ATIS | ATIS.3GPP.24.091V1100-2014 | 11.0.0 | Approved | May 14 | https://www.atis.org/docstore/default.aspx |
| CCSA | CCSA-TSD-DS-24.091 | 11.0.0 | Published | Jun 14 | http://www.ccsa.org.cn/english/tc/files.php?docpath=/ITU-R/M.1457/M.1457-12/DS |
| ETSI | ETSI TS 124 091 | 11.0.0 | Published | Oct 12 | http://www.etsi.org/deliver/etsi_ts/124000_124099/124091/11.00.00_60/ |
| TTA | TTAT.3G-24.091(R11-11.0.0) | 11.0.0 | published | Aug 13 | http://www.tta.or.kr/data/ttasDown.jsp?where=14688&pk_num=TTAT.3G-24.091(R11-11.0.0) |
| TTC | TS-3GA-24.091(Rel11)v11.0.0 | 11.0.0 | Approved | Jun 13 | http://www.ttc.or.jp/j/document_list/free/3gpps2013/TS/TS-3GA-24.091(Rel11)v11.0.0.pdf |

5.1.2.12.63 TS 24.093**Call Completion of Calls to Busy Subscriber (CCBS); Stage 3**

This document gives the stage 3 description of the Completion of Calls to Busy Subscriber (CCBS) supplementary service. It specifies the procedures used at the radio interface (reference point Um as defined in 3GPP TS 24.002) for normal operation, activation, deactivation, invocation and interrogation of the completion of calls to busy subscriber supplementary services.

In 3GPP TS 24.010 the general aspects of the specification of supplementary services at the layer 3 radio interface are given.

3GPP TS 24.080 specifies the formats and coding for the supplementary services.

Definitions and descriptions of supplementary services are given in 3GPP TS 22.004, 3GPP TS 22.08x and 3GPP TS 22.09x-series. Technical specification 3GPP TS 22.093 is related specifically to the Completion of Calls to Busy Subscriber supplementary service.

The technical realization of supplementary services is described in technical specifications 3GPP TS 23.011, 3GPP TS 23.08x and 3GPP TS 23.09x_series. 3GPP TS 23.093 is related specifically to Completion of Calls to Busy Subscriber supplementary service.

The procedures for Call Control, Mobility Management and Radio Resource management at the layer 3 radio interface are defined in 3GPP TS 24.007 and 3GPP TS 24.008.

The following supplementary services belong to the call completion supplementary services and are described in this document:

– Completion of Calls to Busy Subscriber (CCBS).

| SDO (2) | Document No. | Version | Status | Issued date | Location (1) |
|-------------------|-----------------------------|---------|-----------|-------------|---|
| Release 99 | | | | | |
| CCSA | CCSA-TSD-DS-24.093 | 3.0.0 | Published | Jun 12 | http://www.ccsa.org.cn/english/tc/files.php?docpath=/ITU-R/M.1457/M.1457-12/DS |
| ETSI | ETSI TS 124 093 | 3.0.0 | Published | Feb 00 | http://www.etsi.org/deliver/etsi_ts/124000_124099/124093/03.00.00_60/ |
| TTC | JP-3GA-24.093(R99) | 3.0.0 | Approved | Mar 00 | http://www.ttc.or.jp/j/document_list/pdf/j/STD/JP-3GA-24.093(R99)v1.pdf |
| Release 4 | | | | | |
| CCSA | CCSA-TSD-DS-24.093 | 4.0.1 | Published | Jun 12 | http://www.ccsa.org.cn/english/tc/files.php?docpath=/ITU-R/M.1457/M.1457-12/DS |
| ETSI | ETSI TS 124 093 | 4.0.1 | Published | Jul 02 | http://www.etsi.org/deliver/etsi_ts/124000_124099/124093/04.00.01_60/ |
| TTC | TS-3GA-24.093(Rel4)v4.0.0 | 4.0.0 | Approved | May 01 | http://www.ttc.or.jp/j/document_list/free/TS/TS-3GA-24.093(Rel4)v4.0.0.pdf |
| Release 5 | | | | | |
| CCSA | CCSA-TSD-DS-24.093 | 5.0.0 | Published | Jun 12 | http://www.ccsa.org.cn/english/tc/files.php?docpath=/ITU-R/M.1457/M.1457-12/DS |
| ETSI | ETSI TS 124 093 | 5.0.0 | Published | Jul 02 | http://www.etsi.org/deliver/etsi_ts/124000_124099/124093/05.00.00_60/ |
| TTC | TS-3GA-24.093(Rel5)v5.0.0 | 5.0.0 | Approved | Aug 02 | http://www.ttc.or.jp/j/document_list/free/TS/TS-3GA-24.093(Rel5)v5.0.0.pdf |
| Release 6 | | | | | |
| CCSA | CCSA-TSD-DS-24.093 | 6.0.0 | Published | Jun 12 | http://www.ccsa.org.cn/english/tc/files.php?docpath=/ITU-R/M.1457/M.1457-12/DS |
| ETSI | ETSI TS 124 093 | 6.0.0 | Published | Jan 05 | http://www.etsi.org/deliver/etsi_ts/124000_124099/124093/06.00.00_60/ |
| TTC | TS-3GA-24.093(Rel6)v6.0.0 | 6.0.0 | Approved | Mar 05 | http://www.ttc.or.jp/j/document_list/free/TS/TS-3GA-24.093(Rel6)v6.0.0.pdf |
| Release 7 | | | | | |
| CCSA | CCSA-TSD-DS-24.093 | 7.0.0 | Published | Jun 12 | http://www.ccsa.org.cn/english/tc/files.php?docpath=/ITU-R/M.1457/M.1457-12/DS |
| ETSI | ETSI TS 124 093 | 7.0.0 | Published | Jul 07 | http://www.etsi.org/deliver/etsi_ts/124000_124099/124093/07.00.00_60/ |
| TTC | TS-3GA-24.093(Rel7)v7.0.0 | 7.0.0 | Approved | Mar 08 | http://www.ttc.or.jp/j/document_list/free/TS/TS-3GA-24.093(Rel7)v7.0.0.pdf |
| Release 8 | | | | | |
| CCSA | CCSA-TSD-DS-24.093 | 8.0.0 | Published | Jun 12 | http://www.ccsa.org.cn/english/tc/files.php?docpath=/ITU-R/M.1457/M.1457-12/DS |
| ETSI | ETSI TS 124 093 | 8.0.0 | Published | Jan 09 | http://www.etsi.org/deliver/etsi_ts/124000_124099/124093/08.00.00_60/ |
| TTC | TS-3GA-24.093(Rel8)v8.0.0 | 8.0.0 | Approved | Feb 09 | http://www.ttc.or.jp/j/document_list/free/3gpps2009/TS/TS-3GA-24.093(Rel8)v8.0.0.pdf |
| Release 9 | | | | | |
| ATIS | ATIS.3GPP.24.093V900-2010 | 9.0.0 | Approved | Jul 10 | https://www.atis.org/docstore/default.aspx |
| CCSA | CCSA-TSD-DS-24.093 | 9.0.0 | Published | Jun 12 | http://www.ccsa.org.cn/english/tc/files.php?docpath=/ITU-R/M.1457/M.1457-12/DS |
| ETSI | ETSI TS 124 093 | 9.0.0 | Published | Jan 10 | http://www.etsi.org/deliver/etsi_ts/124000_124099/124093/09.00.00_60/ |
| TTA | TTAT.3G-24.093(R9-9.0.0) | 9.0.0 | Approved | Jul 10 | http://www.tta.or.kr/data/ttasDown.jsp?where=14688&pk_num=TTAT.3G-24.093(R9-9.0.0) |
| TTC | TS-3GA-24.093(Rel9)v9.0.0 | 9.0.0 | Approved | Jul 10 | http://www.ttc.or.jp/j/document_list/free/3gpps2010/TS/TS-3GA-24.093(Rel9)v9.0.0.pdf |
| Release 10 | | | | | |
| ATIS | ATIS.3GPP.24.093V1000-2012 | 10.0.0 | Approved | Jul 12 | https://www.atis.org/docstore/default.aspx |
| CCSA | CCSA-TSD-DS-24.093 | 10.0.0 | Published | Jun 12 | http://www.ccsa.org.cn/english/tc/files.php?docpath=/ITU-R/M.1457/M.1457-12/DS |
| ETSI | ETSI TS 124 093 | 10.0.0 | Published | May 11 | http://www.etsi.org/deliver/etsi_ts/124000_124099/124093/10.00.00_60/ |
| TTA | TTAT.3G-24.093(R10-10.0.0) | 10.0.0 | Approved | Apr 12 | http://www.tta.or.kr/data/ttasDown.jsp?where=14688&pk_num=TTAT.3G-24.093(R10-10.0.0) |
| TTC | TS-3GA-24.093(Rel10)v10.0.0 | 10.0.0 | Approved | Jun 11 | http://www.ttc.or.jp/j/document_list/free/3gpps2011/TS/TS-3GA-24.093(Rel10)v10.0.0.pdf |
| Release 11 | | | | | |
| ATIS | ATIS.3GPP.24.093V1100-2014 | 11.0.0 | Approved | May 14 | https://www.atis.org/docstore/default.aspx |

| | | | | | |
|------|-----------------------------|--------|-----------|--------|---|
| CCSA | CCSA-TSD-DS-24.093 | 11.0.0 | Published | Jun 14 | http://www.ccsa.org.cn/english/tc/files.php?docpath=/ITU-R/M.1457/M.1457-12/DS |
| ETSI | ETSI TS 124 093 | 11.0.0 | Published | Oct 12 | http://www.etsi.org/deliver/etsi_ts/124000_124099/124093/11.00.00_60/ |
| TTA | TTAT.3G-24.093(R11-11.0.0) | 11.0.0 | published | Aug 13 | http://www.tta.or.kr/data/ttasDown.jsp?where=14688&pk_num=TTAT.3G-24.093(R11-11.0.0) |
| TTC | TS-3GA-24.093(Rel11)v11.0.0 | 11.0.0 | Approved | Jun 13 | http://www.ttc.or.jp/j/document_list/free/3gpps2013/TS/TS-3GA-24.093(Rel11)v11.0.0.pdf |

5.1.2.12.64 TS 24.096

Name Identification supplementary services; Stage 3

This document specifies the procedures used at the radio interface for normal operation, registration, erasure, activation, deactivation, invocation and interrogation of name identification supplementary services. In 3GPP TS 24.010 the general aspects of the specification of supplementary services at the layer 3 radio interface are given. 3GPP TS 24.080 specifies the formats and coding for the supplementary services.

Definitions and descriptions of supplementary services are given in 3GPP TS 22.004 and 3GPP TS 22.08x and 3GPP TS 22.09x series. 3GPP TS 22.096 is related specially to name identification supplementary services.

Technical realization of supplementary services is described in 3GPP TS 23.011 and 3GPP TS 23.08x and 3GPP TS 23.09x series. Technical specification 3GPP TS 23.096 is related specially to name identification supplementary services.

The procedures for Call Control, Mobility Management and Radio Resource management at the layer 3 radio interface are defined in 3GPP TS 24.007 and 3GPP TS 24.008.

The following supplementary services belong to the name identification supplementary services and are described in this TS:

- Calling name presentation (CNAP).

| SDO (2) | Document No. | Version | Status | Issued date | Location (1) |
|-------------------|---------------------------|---------|-----------|-------------|---|
| Release 99 | | | | | |
| CCSA | CCSA-TSD-DS-24.096 | 3.0.0 | Published | Jun 12 | http://www.ccsa.org.cn/english/tc/files.php?docpath=/ITU-R/M.1457/M.1457-12/DS |
| ETSI | ETSI TS 124 096 | 3.0.0 | Published | Feb 00 | http://www.etsi.org/deliver/etsi_ts/124000_124099/124096/03.00.00_60/ |
| TTC | JP-3GA-24.096(R99) | 3.0.0 | Approved | Mar 00 | http://www.ttc.or.jp/j/document_list/pdf/j/STD/JP-3GA-24.096(R99)v1.pdf |
| Release 4 | | | | | |
| CCSA | CCSA-TSD-DS-24.096 | 4.0.1 | Published | Jun 12 | http://www.ccsa.org.cn/english/tc/files.php?docpath=/ITU-R/M.1457/M.1457-12/DS |
| ETSI | ETSI TS 124 096 | 4.0.1 | Published | Jul 02 | http://www.etsi.org/deliver/etsi_ts/124000_124099/124096/04.00.01_60/ |
| TTC | TS-3GA-24.096(Rel4)v4.0.0 | 4.0.0 | Approved | May 01 | http://www.ttc.or.jp/j/document_list/free/TS/TS-3GA-24.096(Rel4)v4.0.0.pdf |
| Release 5 | | | | | |
| CCSA | CCSA-TSD-DS-24.096 | 5.0.0 | Published | Jun 12 | http://www.ccsa.org.cn/english/tc/files.php?docpath=/ITU-R/M.1457/M.1457-12/DS |
| ETSI | ETSI TS 124 096 | 5.0.0 | Published | Jul 02 | http://www.etsi.org/deliver/etsi_ts/124000_124099/124096/05.00.00_60/ |
| TTC | TS-3GA-24.096(Rel5)v5.0.0 | 5.0.0 | Approved | Aug 02 | http://www.ttc.or.jp/j/document_list/free/TS/TS-3GA-24.096(Rel5)v5.0.0.pdf |
| Release 6 | | | | | |
| CCSA | CCSA-TSD-DS-24.096 | 6.0.0 | Published | Jun 12 | http://www.ccsa.org.cn/english/tc/files.php?docpath=/ITU-R/M.1457/M.1457-12/DS |
| ETSI | ETSI TS 124 096 | 6.0.0 | Published | Jan 05 | http://www.etsi.org/deliver/etsi_ts/124000_124099/124096/06.00.00_60/ |
| TTC | TS-3GA-24.096(Rel6)v6.0.0 | 6.0.0 | Approved | Mar 05 | http://www.ttc.or.jp/j/document_list/free/TS/TS-3GA-24.096(Rel6)v6.0.0.pdf |

Release 7

| | | | | | |
|------|---------------------------|-------|-----------|--------|---|
| CCSA | CCSA-TSD-DS-24.096 | 7.0.0 | Published | Jun 12 | http://www.ccsa.org.cn/english/tc/files.php?docpath=/ITU-R/M.1457/M.1457-12/DS |
| ETSI | ETSI TS 124 096 | 7.0.0 | Published | Jul 07 | http://www.etsi.org/deliver/etsi_ts/124000_124099/124096/07.00.00_60/ |
| TTC | TS-3GA-24.096(Rel7)v7.0.0 | 7.0.0 | Approved | Mar 08 | http://www.ttc.or.jp/j/document_list/free/TS/TS-3GA-24.096(Rel7)v7.0.0.pdf |

Release 8

| | | | | | |
|------|---------------------------|-------|-----------|--------|---|
| CCSA | CCSA-TSD-DS-24.096 | 8.0.0 | Published | Jun 12 | http://www.ccsa.org.cn/english/tc/files.php?docpath=/ITU-R/M.1457/M.1457-12/DS |
| ETSI | ETSI TS 124 096 | 8.0.0 | Published | Jan 09 | http://www.etsi.org/deliver/etsi_ts/124000_124099/124096/08.00.00_60/ |
| TTC | TS-3GA-24.096(Rel8)v8.0.0 | 8.0.0 | Approved | Feb 09 | http://www.ttc.or.jp/j/document_list/free/3gpps2009/TS/TS-3GA-24.096(Rel8)v8.0.0.pdf |

Release 9

| | | | | | |
|------|---------------------------|-------|-----------|--------|---|
| ATIS | ATIS.3GPP.24.096V900-2010 | 9.0.0 | Approved | Jul 10 | https://www.atis.org/docstore/default.aspx |
| CCSA | CCSA-TSD-DS-24.096 | 9.0.0 | Published | Jun 12 | http://www.ccsa.org.cn/english/tc/files.php?docpath=/ITU-R/M.1457/M.1457-12/DS |
| ETSI | ETSI TS 124 096 | 9.0.0 | Published | Jan 10 | http://www.etsi.org/deliver/etsi_ts/124000_124099/124096/09.00.00_60/ |
| TTA | TTAT.3G-24.096(R9-9.0.0) | 9.0.0 | Approved | Jul 10 | http://www.tta.or.kr/data/ttasDown.jsp?where=14688&pk_num=TTAT.3G-24.096(R9-9.0.0) |
| TTC | TS-3GA-24.096(Rel9)v9.0.0 | 9.0.0 | Approved | Jul 10 | http://www.ttc.or.jp/j/document_list/free/3gpps2010/TS/TS-3GA-24.096(Rel9)v9.0.0.pdf |

Release 10

| | | | | | |
|------|-----------------------------|--------|-----------|--------|---|
| ATIS | ATIS.3GPP.24.096V1000-2012 | 10.0.0 | Approved | Jul 12 | https://www.atis.org/docstore/default.aspx |
| CCSA | CCSA-TSD-DS-24.096 | 10.0.0 | Published | Jun 12 | http://www.ccsa.org.cn/english/tc/files.php?docpath=/ITU-R/M.1457/M.1457-12/DS |
| ETSI | ETSI TS 124 096 | 10.0.0 | Published | May 11 | http://www.etsi.org/deliver/etsi_ts/124000_124099/124096/10.00.00_60/ |
| TTA | TTAT.3G-24.096(R10-10.0.0) | 10.0.0 | Approved | Apr 12 | http://www.tta.or.kr/data/ttasDown.jsp?where=14688&pk_num=TTAT.3G-24.096(R10-10.0.0) |
| TTC | TS-3GA-24.096(Rel10)v10.0.0 | 10.0.0 | Approved | Jun 11 | http://www.ttc.or.jp/j/document_list/free/3gpps2011/TS/TS-3GA-24.096(Rel10)v10.0.0.pdf |

Release 11

| | | | | | |
|------|-----------------------------|--------|-----------|--------|---|
| ATIS | ATIS.3GPP.24.096V1100-2014 | 11.0.0 | Approved | May 14 | https://www.atis.org/docstore/default.aspx |
| CCSA | CCSA-TSD-DS-24.096 | 11.0.0 | Published | Jun 14 | http://www.ccsa.org.cn/english/tc/files.php?docpath=/ITU-R/M.1457/M.1457-12/DS |
| ETSI | ETSI TS 124 096 | 11.0.0 | Published | Oct 12 | http://www.etsi.org/deliver/etsi_ts/124000_124099/124096/11.00.00_60/ |
| TTA | TTAT.3G-24.096(R11-11.0.0) | 11.0.0 | published | Aug 13 | http://www.tta.or.kr/data/ttasDown.jsp?where=14688&pk_num=TTAT.3G-24.096(R11-11.0.0) |
| TTC | TS-3GA-24.096(Rel11)v11.0.0 | 11.0.0 | Approved | Jun 13 | http://www.ttc.or.jp/j/document_list/free/3gpps2013/TS/TS-3GA-24.096(Rel11)v11.0.0.pdf |

5.1.2.12.65 TS 24.109**Bootstrapping interface (Ub) and network application function interface (Ua); Protocol details**

This document defines stage 3 for the HTTP Digest AKA based implementation of Ub interface (UE-BSF), the Disposable-Ks model based implementation of Upa interface (NAF-UE) and the HTTP Digest and the PSK TLS based implementation of bootstrapped security association usage over Ua interface (UE-NAF) in Generic Authentication Architecture (GAA) as specified in 3GPP TS 33.220. The purpose of the Ub interface is to create a security association between UE and BSF for further usage in GAA applications. The purpose of the Upa interface is to provide a push mechanism to create a bootstrapped security association between the UE and NAF for secure communication of pushed messages. The purpose of the Ua interface is to use the so created bootstrapped security association between UE and NAF for secure communication.

This document also defines stage 3 for the Authentication Proxy usage as specified in 3GPP TS 33.222.

This document also defines stage 3 for the subscriber certificate enrolment as specified in 3GPP TS 33.221 which is one realization of the Ua interface. The subscriber certificate enrolment uses the HTTP Digest based implementation of bootstrapped security association usage to enrol a subscriber certificate and the delivery of a CA certificate.

| SDO (2) | Document No. | Version | Status | Issued date | Location (1) |
|-------------------|-----------------------------|---------|-----------|-------------|---|
| Release 6 | | | | | |
| CCSA | CCSA-TSD-DS-24.109 | 6.10.0 | Published | Jun 12 | http://www.ccsa.org.cn/english/tc/files.php?docpath=/ITU-R/M.1457/M.1457-12/DS |
| ETSI | ETSI TS 124 109 | 6.10.0 | Published | Oct 11 | http://www.etsi.org/deliver/etsi_ts/124100_124199/124109/06.10.00_60/ |
| TTC | TS-3GA-24.109(Rel6)v6.10.0 | 6.10.0 | Approved | Dec 11 | http://www.ttc.or.jp/j/document_list/free/3gpps2011/TS/TS-3GA-24.109(Rel6)v6.10.0.pdf |
| Release 7 | | | | | |
| CCSA | CCSA-TSD-DS-24.109 | 7.7.0 | Published | Jun 12 | http://www.ccsa.org.cn/english/tc/files.php?docpath=/ITU-R/M.1457/M.1457-12/DS |
| ETSI | ETSI TS 124 109 | 7.7.0 | Published | Oct 11 | http://www.etsi.org/deliver/etsi_ts/124100_124199/124109/07.07.00_60/ |
| TTC | TS-3GA-24.109(Rel7)v7.7.0 | 7.7.0 | Approved | Dec 11 | http://www.ttc.or.jp/j/document_list/free/3gpps2011/TS/TS-3GA-24.109(Rel7)v7.7.0.pdf |
| Release 8 | | | | | |
| CCSA | CCSA-TSD-DS-24.109 | 8.4.0 | Published | Jun 12 | http://www.ccsa.org.cn/english/tc/files.php?docpath=/ITU-R/M.1457/M.1457-12/DS |
| ETSI | ETSI TS 124 109 | 8.4.0 | Published | Oct 11 | http://www.etsi.org/deliver/etsi_ts/124100_124199/124109/08.04.00_60/ |
| TTC | TS-3GA-24.109(Rel8)v8.4.0 | 8.4.0 | Approved | Dec 11 | http://www.ttc.or.jp/j/document_list/free/3gpps2011/TS/TS-3GA-24.109(Rel8)v8.4.0.pdf |
| Release 9 | | | | | |
| CCSA | CCSA-TSD-DS-24.109 | 9.2.0 | Published | Jun 12 | http://www.ccsa.org.cn/english/tc/files.php?docpath=/ITU-R/M.1457/M.1457-12/DS |
| ETSI | ETSI TS 124 109 | 9.2.0 | Published | Oct 11 | http://www.etsi.org/deliver/etsi_ts/124100_124199/124109/09.02.00_60/ |
| TTC | TS-3GA-24.109(Rel9)v9.2.0 | 9.2.0 | Approved | Dec 11 | http://www.ttc.or.jp/j/document_list/free/3gpps2011/TS/TS-3GA-24.109(Rel9)v9.2.0.pdf |
| Release 10 | | | | | |
| ATIS | ATIS.3GPP.24.109V1010-2012 | 10.1.0 | Approved | Jul 12 | https://www.atis.org/docstore/default.aspx |
| CCSA | CCSA-TSD-DS-24.109 | 10.1.0 | Published | Jun 12 | http://www.ccsa.org.cn/english/tc/files.php?docpath=/ITU-R/M.1457/M.1457-12/DS |
| ETSI | ETSI TS 124 109 | 10.1.0 | Published | Oct 11 | http://www.etsi.org/deliver/etsi_ts/124100_124199/124109/10.01.00_60/ |
| TTA | TTAT.3G-24.109(R10-10.1.0) | 10.1.0 | Approved | Apr 12 | http://www.tta.or.kr/data/ttasDown.jsp?where=14688&pk_num=TTAT.3G-24.109(R10-10.1.0) |
| TTC | TS-3GA-24.109(Rel10)v10.1.0 | 10.1.0 | Approved | Dec 11 | http://www.ttc.or.jp/j/document_list/free/3gpps2011/TS/TS-3GA-24.109(Rel10)v10.1.0.pdf |
| Release 11 | | | | | |
| ATIS | ATIS.3GPP.24.109V1120-2014 | 11.2.0 | Approved | May 14 | https://www.atis.org/docstore/default.aspx |
| CCSA | CCSA-TSD-DS-24.109 | 11.4.0 | Published | Jun 14 | http://www.ccsa.org.cn/english/tc/files.php?docpath=/ITU-R/M.1457/M.1457-12/DS |
| ETSI | ETSI TS 124 109 | 11.2.0 | Published | Jan 13 | http://www.etsi.org/deliver/etsi_ts/124100_124199/124109/11.02.00_60/ |
| TTA | TTAT.3G-24.109(R11-11.2.0) | 11.2.0 | published | Aug 13 | http://www.tta.or.kr/data/ttasDown.jsp?where=14688&pk_num=TTAT.3G-24.109(R11-11.2.0) |
| TTC | TS-3GA-24.109(Rel11)v11.2.0 | 11.2.0 | Approved | Jun 13 | http://www.ttc.or.jp/j/document_list/free/3gpps2013/TS/TS-3GA-24.109(Rel11)v11.2.0.pdf |

5.1.2.12.66 TS 24.139

3GPP system - fixed broadband access network interworking; Stage 3

This document specifies the UE – EPC procedures for accessing 3GPP Evolved Packet Core (EPC) via a Fixed Broadband Access network. The specification covers the Support of QoS, Tunnel management procedures including the support of NAT traversal, and non-seamless offloading impacts. The document is applicable to the UE and the network (i.e. the 3GPP EPC).

| SDO (2) | Document No. | Version | Status | Issued date | Location (1) |
|-------------------|-----------------------------|---------|-----------|-------------|---|
| Release 11 | | | | | |
| ATIS | ATIS.3GPP.24.139V1120-2014 | 11.2.0 | Approved | May 14 | https://www.atis.org/docstore/default.aspx |
| TTA | TTAT.3G-24.139(R11-11.2.0) | 11.2.0 | published | Aug 13 | http://www.tta.or.kr/data/ttasDown.jsp?where=14688&pk_num=TTAT.3G-24.139(R11-11.2.0) |
| TTC | TS-3GA-24.139(Rel11)v11.2.0 | 11.2.0 | Approved | Jun 13 | http://www.ttc.or.jp/jp/document_list/free/3gpps2013/TS/TS-3GA-24.139(Rel11)v11.2.0.pdf |

5.1.2.12.67 TS 24.141

Presence service using the IP Multimedia (IM) Core Network (CN) subsystem; Stage 3

This specification provides the protocol details for the presence service within the IP Multimedia (IM) Core Network (CN) subsystem based on the Session Initiation Protocol (SIP) and SIP Events as defined in 3GPP TS 24.229.

| SDO (2) | Document No. | Version | Status | Issued date | Location (1) |
|-------------------|----------------------------|---------|-----------|-------------|---|
| Release 6 | | | | | |
| ATIS | ATIS.3GPP.24.141V6140-2012 | 6.14.0 | Approved | Jul 12 | https://www.atis.org/docstore/default.aspx |
| CCSA | CCSA-TSD-DS-24.141 | 6.14.0 | Published | Jun 12 | http://www.ccsa.org.cn/english/tc/files.php?docpath=/ITU-R/M.1457/M.1457-12/DS |
| ETSI | ETSI TS 124 141 | 6.14.0 | Published | Jan 11 | http://www.etsi.org/deliver/etsi_ts/124100_124199/124141/06.14.00_60/ |
| TTA | TTAT.3G-24.141(R6-6.11.0) | 6.11.0 | Approved | Jul 09 | http://www.tta.or.kr/data/ttasDown.jsp?where=14688&pk_num=TTAT.3G-24.141(R6-6.11.0) |
| TTC | TS-3GA-24.141(Rel6)v6.14.0 | 6.14.0 | Approved | Apr 11 | http://www.ttc.or.jp/j/document_list/free/3gpps2011/TS/TS-3GA-24.141(Rel6)v6.14.0.pdf |
| Release 7 | | | | | |
| ATIS | ATIS.3GPP.24.141V790-2012 | 7.9.0 | Approved | Jul 12 | https://www.atis.org/docstore/default.aspx |
| CCSA | CCSA-TSD-DS-24.141 | 7.9.0 | Published | Jun 12 | http://www.ccsa.org.cn/english/tc/files.php?docpath=/ITU-R/M.1457/M.1457-12/DS |
| ETSI | ETSI TS 124 141 | 7.9.0 | Published | Jan 11 | http://www.etsi.org/deliver/etsi_ts/124100_124199/124141/07.09.00_60/ |
| TTA | TTAT.3G-24.141(R7-7.6.0) | 7.6.0 | Approved | Jul 09 | http://www.tta.or.kr/data/ttasDown.jsp?where=14688&pk_num=TTAT.3G-24.141(R7-7.6.0) |
| TTC | TS-3GA-24.141(Rel7)v7.9.0 | 7.9.0 | Approved | Apr 11 | http://www.ttc.or.jp/j/document_list/free/3gpps2011/TS/TS-3GA-24.141(Rel7)v7.9.0.pdf |
| Release 8 | | | | | |
| ATIS | ATIS.3GPP.24.141V860-2012 | 8.6.0 | Approved | Jul 12 | https://www.atis.org/docstore/default.aspx |
| CCSA | CCSA-TSD-DS-24.141 | 8.6.0 | Published | Jun 12 | http://www.ccsa.org.cn/english/tc/files.php?docpath=/ITU-R/M.1457/M.1457-12/DS |
| ETSI | ETSI TS 124 141 | 8.6.0 | Published | Jan 11 | http://www.etsi.org/deliver/etsi_ts/124100_124199/124141/08.06.00_60/ |
| TTA | TTAT.3G-24.141(R8-8.3.0) | 8.3.0 | Approved | Jul 09 | http://www.tta.or.kr/data/ttasDown.jsp?where=14688&pk_num=TTAT.3G-24.141(R8-8.3.0) |
| TTC | TS-3GA-24.141(Rel8)v8.6.0 | 8.6.0 | Approved | Apr 11 | http://www.ttc.or.jp/j/document_list/free/3gpps2011/TS/TS-3GA-24.141(Rel8)v8.6.0.pdf |
| Release 9 | | | | | |
| ATIS | ATIS.3GPP.24.141V920-2012 | 9.2.0 | Approved | Jul 12 | https://www.atis.org/docstore/default.aspx |
| CCSA | CCSA-TSD-DS-24.141 | 9.2.0 | Published | Jun 12 | http://www.ccsa.org.cn/english/tc/files.php?docpath=/ITU-R/M.1457/M.1457-12/DS |
| ETSI | ETSI TS 124 141 | 9.2.0 | Published | Jan 11 | http://www.etsi.org/deliver/etsi_ts/124100_124199/124141/09.02.00_60/ |
| TTA | TTAT.3G-24.141(R9-9.0.0) | 9.0.0 | Approved | Jul 10 | http://www.tta.or.kr/data/ttasDown.jsp?where=14688&pk_num=TTAT.3G-24.141(R9-9.0.0) |
| TTC | TS-3GA-24.141(Rel9)v9.2.0 | 9.2.0 | Approved | Apr 11 | http://www.ttc.or.jp/j/document_list/free/3gpps2011/TS/TS-3GA-24.141(Rel9)v9.2.0.pdf |
| Release 10 | | | | | |
| ATIS | ATIS.3GPP.24.141V1000-2012 | 10.0.0 | Approved | Jul 12 | https://www.atis.org/docstore/default.aspx |
| CCSA | CCSA-TSD-DS-24.141 | 10.0.0 | Published | Jun 12 | http://www.ccsa.org.cn/english/tc/files.php?docpath=/ITU-R/M.1457/M.1457-12/DS |
| ETSI | ETSI TS 124 141 | 10.0.0 | Published | Mar 11 | http://www.etsi.org/deliver/etsi_ts/124100_124199/124141/10.00.00_60/ |
| TTA | TTAT.3G-24.141(R10-10.0.0) | 10.0.0 | Approved | Apr 12 | http://www.tta.or.kr/data/ttasDown.jsp?where=14688&pk_num=TTAT.3G-24.141(R10-10.0.0) |

| | | | | | |
|-------------------|-----------------------------|--------|-----------|--------|---|
| TTC | TS-3GA-24.141(Rel10)v10.0.0 | 10.0.0 | Approved | Jun 11 | http://www.ttc.or.jp/j/document_list/free/3gpps2011/TS/TS-3GA-24.141(Rel10)v10.0.0.pdf |
| Release 11 | | | | | |
| ATIS | ATIS.3GPP.24.141V1100-2014 | 11.0.0 | Approved | May 14 | https://www.atis.org/docstore/default.aspx |
| CCSA | CCSA-TSD-DS-24.141 | 11.0.0 | Published | Jun 14 | http://www.ccsa.org.cn/english/tc/files.php?docpath=/ITU-R/M.1457/M.1457-12/DS |
| ETSI | ETSI TS 124 141 | 11.0.0 | Published | Oct 12 | http://www.etsi.org/deliver/etsi_ts/124100_124199/124141/11.00.00_60/ |
| TTA | TTAT.3G-24.141(R11-11.0.0) | 11.0.0 | published | Aug 13 | http://www.tta.or.kr/data/ttasDown.jsp?where=14688&pk_num=TTAT.3G-24.141(R11-11.0.0) |
| TTC | TS-3GA-24.141(Rel11)v11.0.0 | 11.0.0 | Approved | Jun 13 | http://www.ttc.or.jp/j/document_list/free/3gpps2013/TS/TS-3GA-24.141(Rel11)v11.0.0.pdf |

5.1.2.12.68 TS 24.147

Conferencing using the IP Multimedia (IM) Core Network (CN) subsystem; Stage 3

This specification provides the protocol details for conferencing within the IP Multimedia Core Network subsystem (IMS) based on the Session Initiation Protocol (SIP), SIP Events, the Session Description Protocol (SDP) and the Binary Floor Control Protocol (BFCP).

| SDO (2) | Document No. | Version | Status | Issued date | Location (1) |
|-------------------|----------------------------|---------|-----------|-------------|---|
| Release 6 | | | | | |
| ATIS | ATIS.3GPP.24.147V690-2008 | 6.9.0 | Approved | Oct 08 | https://www.atis.org/docstore/default.aspx |
| CCSA | CCSA-TSD-DS-24.147 | 6.9.0 | Published | Jun 08 | http://www.ccsa.org.cn/english/tc/files.php?docpath=/ITU-R/M.1457/M.1457-12/DS |
| ETSI | ETSI TS 124 147 | 6.9.0 | Published | Jun 08 | http://www.etsi.org/deliver/etsi_ts/124100_124199/124147/06.09.00_60/ |
| TTA | TTAT.3G-24.147(R6-6.9.0) | 6.9.0 | Approved | Oct 08 | http://www.tta.or.kr/data/ttasDown.jsp?where=14688&pk_num=TTAT.3G-24.147(R6-6.9.0) |
| TTC | TS-3GA-24.147(Rel6)v6.9.0 | 6.9.0 | Approved | Feb 09 | http://www.ttc.or.jp/j/document_list/free/3gpps2009/TS/TS-3GA-24.147(Rel6)v6.9.0.pdf |
| Release 7 | | | | | |
| ATIS | ATIS.3GPP.24.147V7100-2009 | 7.10.0 | Approved | Jul 09 | https://www.atis.org/docstore/default.aspx |
| CCSA | CCSA-TSD-DS-24.147 | 7.10.0 | Published | Jan 09 | http://www.ccsa.org.cn/english/tc/files.php?docpath=/ITU-R/M.1457/M.1457-12/DS |
| ETSI | ETSI TS 124 147 | 7.10.0 | Published | Jan 09 | http://www.etsi.org/deliver/etsi_ts/124100_124199/124147/07.10.00_60/ |
| TTA | TTAT.3G-24.147(R7-7.10.0) | 7.10.0 | Approved | Jul 09 | http://www.tta.or.kr/data/ttasDown.jsp?where=14688&pk_num=TTAT.3G-24.147(R7-7.10.0) |
| TTC | TS-3GA-24.147(Rel7)v7.10.0 | 7.10.0 | Approved | Feb 09 | http://www.ttc.or.jp/j/document_list/free/3gpps2009/TS/TS-3GA-24.147(Rel7)v7.10.0.pdf |
| Release 8 | | | | | |
| ATIS | ATIS.3GPP.24.147V840-2014 | 8.4.0 | Approved | May 14 | https://www.atis.org/docstore/default.aspx |
| CCSA | CCSA-TSD-DS-24.147 | 8.4.0 | Published | Jun 12 | http://www.ccsa.org.cn/english/tc/files.php?docpath=/ITU-R/M.1457/M.1457-12/DS |
| ETSI | ETSI TS 124 147 | 8.4.0 | Published | Jan 12 | http://www.etsi.org/deliver/etsi_ts/124100_124199/124147/08.04.00_60/ |
| TTA | TTAT.3G-24.147(R8-8.2.0) | 8.2.0 | Approved | Jul 09 | http://www.tta.or.kr/data/ttasDown.jsp?where=14688&pk_num=TTAT.3G-24.147(R8-8.2.0) |
| TTC | TS-3GA-24.147(Rel8)v8.4.0 | 8.4.0 | Approved | Feb 12 | http://www.ttc.or.jp/j/document_list/free/3gpps2012/TS/TS-3GA-24.147(Rel8)v8.4.0.pdf |
| Release 9 | | | | | |
| ATIS | ATIS.3GPP.24.147V920-2014 | 9.2.0 | Approved | May 14 | https://www.atis.org/docstore/default.aspx |
| CCSA | CCSA-TSD-DS-24.147 | 9.2.0 | Published | Jun 12 | http://www.ccsa.org.cn/english/tc/files.php?docpath=/ITU-R/M.1457/M.1457-12/DS |
| ETSI | ETSI TS 124 147 | 9.2.0 | Published | Jan 12 | http://www.etsi.org/deliver/etsi_ts/124100_124199/124147/09.02.00_60/ |
| TTA | TTAT.3G-24.147(R9-9.1.0) | 9.1.0 | Approved | Jul 10 | http://www.tta.or.kr/data/ttasDown.jsp?where=14688&pk_num=TTAT.3G-24.147(R9-9.1.0) |
| TTC | TS-3GA-24.147(Rel9)v9.2.0 | 9.2.0 | Approved | Feb 12 | http://www.ttc.or.jp/j/document_list/free/3gpps2012/TS/TS-3GA-24.147(Rel9)v9.2.0.pdf |
| Release 10 | | | | | |
| ATIS | ATIS.3GPP.24.147V1020-2014 | 10.2.0 | Approved | May 14 | https://www.atis.org/docstore/default.aspx |
| CCSA | CCSA-TSD-DS-24.147 | 10.2.0 | Published | Jun 12 | http://www.ccsa.org.cn/english/tc/files.php?docpath=/ITU-R/M.1457/M.1457-12/DS |
| ETSI | ETSI TS 124 147 | 10.2.0 | Published | Jan 12 | http://www.etsi.org/deliver/etsi_ts/124100_124199/124147/10.02.00_60/ |
| TTA | TTAT.3G-24.147(R10-10.2.0) | 10.2.0 | Approved | Aug 12 | http://www.tta.or.kr/data/ttasDown.jsp?where=14688&pk_num=TTAT.3G-24.147(R10-10.2.0) |

| | | | | | |
|-------------------|-----------------------------|--------|-----------|--------|---|
| TTC | TS-3GA-24.147(Rel10)v10.2.0 | 10.2.0 | Approved | Feb 12 | http://www.ttc.or.jp/jp/document_list/free/3gpps2012/TS/TS-3GA-24.147(Rel10)v10.2.0.pdf |
| Release 11 | | | | | |
| ATIS | ATIS.3GPP.24.147V1110-2014 | 11.1.0 | Approved | May 14 | https://www.atis.org/docstore/default.aspx |
| CCSA | CCSA-TSD-DS-24.147 | 11.2.0 | Published | Jun 14 | http://www.ccsa.org.cn/english/tc/files.php?docpath=/ITU-R/M.1457/M.1457-12/DS |
| ETSI | ETSI TS 124 147 | 11.1.0 | Published | Nov 12 | http://www.etsi.org/deliver/etsi_ts/124100_124199/124147/11.01.00_60/ |
| TTA | TTAT.3G-24.147(R11-11.1.0) | 11.1.0 | published | Aug 13 | http://www.tta.or.kr/data/ttasDown.jsp?where=14688&pk_num=TTAT.3G-24.147(R11-11.1.0) |
| TTC | TS-3GA-24.147(Rel11)v11.1.0 | 11.1.0 | Approved | Jun 13 | http://www.ttc.or.jp/jp/document_list/free/3gpps2013/TS/TS-3GA-24.147(Rel11)v11.1.0.pdf |

5.1.2.12.69 TS 24.166

3GPP IP Multimedia Subsystem (IMS) conferencing Management Object (MO)

This document defines the IMS conferencing management object. The management object is compatible with OMA Device Management protocol specifications, version 1.2 and upwards, and is defined using the OMA DM Device Description Framework as described in the Enabler Release Definition OMA-ERELD_DM-V1_2. The IMS conferencing management object consists of relevant parameters that can be managed for IMS conferencing capabilities.

| SDO (2) | Document No. | Version | Status | Issued date | Location (1) |
|-------------------|-----------------------------|---------|-----------|-------------|---|
| Release 9 | | | | | |
| ATIS | ATIS.3GPP.24.166V920-2012 | 9.2.0 | Approved | Jul 12 | https://www.atis.org/docstore/default.aspx |
| CCSA | CCSA-TSD-DS-24.166 | 9.2.0 | Published | Jun 12 | http://www.ccsa.org.cn/english/tc/files.php?docpath=/ITU-R/M.1457/M.1457-12/DS |
| ETSI | ETSI TS 124 166 | 9.2.0 | Published | Apr 11 | http://www.etsi.org/deliver/etsi_ts/124100_124199/124166/09.02.00_60/ |
| TTA | TTAT.3G-24.166(R9-9.1.0) | 9.1.0 | Approved | Jul 10 | http://www.tta.or.kr/data/ttasDown.jsp?where=14688&pk_num=TTAT.3G-24.166(R9-9.1.0) |
| TTC | TS-3GA-24.166(Rel9)v9.2.0 | 9.2.0 | Approved | Jun 11 | http://www.ttc.or.jp/j/document_list/free/3gpps2011/TS/TS-3GA-24.166(Rel9)v9.2.0.pdf |
| Release 10 | | | | | |
| ATIS | ATIS.3GPP.24.166V1000-2012 | 10.0.0 | Approved | Jul 12 | https://www.atis.org/docstore/default.aspx |
| CCSA | CCSA-TSD-DS-24.166 | 10.0.0 | Published | Jun 12 | http://www.ccsa.org.cn/english/tc/files.php?docpath=/ITU-R/M.1457/M.1457-12/DS |
| ETSI | ETSI TS 124 166 | 10.0.0 | Published | Apr 11 | http://www.etsi.org/deliver/etsi_ts/124100_124199/124166/10.00.00_60/ |
| TTA | TTAT.3G-24.166(R10-10.0.0) | 10.0.0 | Approved | Apr 12 | http://www.tta.or.kr/data/ttasDown.jsp?where=14688&pk_num=TTAT.3G-24.166(R10-10.0.0) |
| TTC | TS-3GA-24.166(Rel10)v10.0.0 | 10.0.0 | Approved | Jun 11 | http://www.ttc.or.jp/j/document_list/free/3gpps2011/TS/TS-3GA-24.166(Rel10)v10.0.0.pdf |
| Release 11 | | | | | |
| ATIS | ATIS.3GPP.24.166V1100-2014 | 11.0.0 | Approved | May 14 | https://www.atis.org/docstore/default.aspx |
| CCSA | CCSA-TSD-DS-24.166 | 11.0.0 | Published | Jun 14 | http://www.ccsa.org.cn/english/tc/files.php?docpath=/ITU-R/M.1457/M.1457-12/DS |
| ETSI | ETSI TS 124 166 | 11.0.0 | Published | Oct 12 | http://www.etsi.org/deliver/etsi_ts/124100_124199/124166/11.00.00_60/ |
| TTA | TTAT.3G-24.166(R11-11.0.0) | 11.0.0 | published | Aug 13 | http://www.tta.or.kr/data/ttasDown.jsp?where=14688&pk_num=TTAT.3G-24.166(R11-11.0.0) |
| TTC | TS-3GA-24.166(Rel11)v11.0.0 | 11.0.0 | Approved | Jun 13 | http://www.ttc.or.jp/j/document_list/free/3gpps2013/TS/TS-3GA-24.166(Rel11)v11.0.0.pdf |

5.1.2.12.70 TS 24.167

3GPP IMS Management Object (MO); Stage 3

This document defines a mobile device 3GPP IMS Management Object. The management object is compatible with OMA Device Management protocol

specifications, version 1.2 and upwards, and is defined using the OMA DM Device Description Framework as described in the Enabler Release Definition OMA-ERELD_DM-V1_2. The 3GPP IMS Management Object consists of relevant parameters that can be managed for the IM CN Subsystem. This includes the basic framework defined in 3GPP TS 23.228 and 3GPP TS 24.229, and early IMS as defined in 3GPP TS 23.221. This also includes relevant parameters that can be managed for the application of SMS over IP networks defined in 3GPP TS 24.341. The IMS Management Object defines a repository of data into the ME including parameters that are provisioned from the ISIM application (i.e. 3GPP TS 31.103) or, after derivation, from the USIM application (i.e. 3GPP TS 31.102).

| SDO (2) | Document No. | Version | Status | Issued date | Location (1) |
|-------------------|-----------------------------|---------|-----------|-------------|---|
| Release 6 | | | | | |
| CCSA | CCSA-TSD-DS-24.167 | 6.8.0 | Published | Jun 12 | http://www.ccsa.org.cn/english/tc/files.php?docpath=/ITU-R/M.1457/M.1457-12/DS |
| ETSI | ETSI TS 124 167 | 6.8.0 | Published | Oct 09 | http://www.etsi.org/deliver/etsi_ts/124100_124199/124167/06.08.00_60/ |
| TTC | TS-3GA-24.167(Rel6)v6.8.0 | 6.8.0 | Approved | Dec 09 | http://www.ttc.or.jp/j/document_list/free/3gpps2009/TS/TS-3GA-24.167(Rel6)v6.8.0.pdf |
| Release 7 | | | | | |
| CCSA | CCSA-TSD-DS-24.167 | 7.6.0 | Published | Jun 12 | http://www.ccsa.org.cn/english/tc/files.php?docpath=/ITU-R/M.1457/M.1457-12/DS |
| ETSI | ETSI TS 124 167 | 7.6.0 | Published | Oct 09 | http://www.etsi.org/deliver/etsi_ts/124100_124199/124167/07.06.00_60/ |
| TTC | TS-3GA-24.167(Rel7)v7.6.0 | 7.6.0 | Approved | Dec 09 | http://www.ttc.or.jp/j/document_list/free/3gpps2009/TS/TS-3GA-24.167(Rel7)v7.6.0.pdf |
| Release 8 | | | | | |
| CCSA | CCSA-TSD-DS-24.167 | 8.4.0 | Published | Jun 12 | http://www.ccsa.org.cn/english/tc/files.php?docpath=/ITU-R/M.1457/M.1457-12/DS |
| ETSI | ETSI TS 124 167 | 8.4.0 | Published | Jan 10 | http://www.etsi.org/deliver/etsi_ts/124100_124199/124167/08.04.00_60/ |
| TTC | TS-3GA-24.167(Rel8)v8.4.0 | 8.4.0 | Approved | Apr 10 | http://www.ttc.or.jp/j/document_list/free/3gpps2010/TS/TS-3GA-24.167(Rel8)v8.4.0.pdf |
| Release 9 | | | | | |
| ATIS | ATIS.3GPP.24.167V920-2012 | 9.2.0 | Approved | Jul 12 | https://www.atis.org/docstore/default.aspx |
| CCSA | CCSA-TSD-DS-24.167 | 9.2.0 | Published | Jun 12 | http://www.ccsa.org.cn/english/tc/files.php?docpath=/ITU-R/M.1457/M.1457-12/DS |
| ETSI | ETSI TS 124 167 | 9.2.0 | Published | Jun 10 | http://www.etsi.org/deliver/etsi_ts/124100_124199/124167/09.02.00_60/ |
| TTA | TTAT.3G-24.167(R9-9.1.0) | 9.1.0 | Approved | Jul 10 | http://www.tta.or.kr/data/ttasDown.jsp?where=14688&pk_num=TTAT.3G-24.167(R9-9.1.0) |
| TTC | TS-3GA-24.167(Rel9)v9.2.0 | 9.2.0 | Approved | Oct 10 | http://www.ttc.or.jp/j/document_list/free/3gpps2010/TS/TS-3GA-24.167(Rel9)v9.2.0.pdf |
| Release 10 | | | | | |
| ATIS | ATIS.3GPP.24.167V1030-2014 | 10.3.0 | Approved | May 14 | https://www.atis.org/docstore/default.aspx |
| CCSA | CCSA-TSD-DS-24.167 | 10.2.0 | Published | Jun 12 | http://www.ccsa.org.cn/english/tc/files.php?docpath=/ITU-R/M.1457/M.1457-12/DS |
| ETSI | ETSI TS 124 167 | 10.3.0 | Published | Mar 12 | http://www.etsi.org/deliver/etsi_ts/124100_124199/124167/10.03.00_60/ |
| TTA | TTAT.3G-24.167(R10-10.3.0) | 10.3.0 | Approved | Aug 12 | http://www.tta.or.kr/data/ttasDown.jsp?where=14688&pk_num=TTAT.3G-24.167(R10-10.3.0) |
| TTC | TS-3GA-24.167(Rel10)v10.3.0 | 10.3.0 | Approved | Jun 12 | http://www.ttc.or.jp/j/document_list/free/3gpps2012/TS/TS-3GA-24.167(Rel10)v10.3.0.pdf |
| Release 11 | | | | | |
| ATIS | ATIS.3GPP.24.167V1101-2014 | 11.0.1 | Approved | May 14 | https://www.atis.org/docstore/default.aspx |
| CCSA | CCSA-TSD-DS-24.167 | 11.0.1 | Published | Jun 14 | http://www.ccsa.org.cn/english/tc/files.php?docpath=/ITU-R/M.1457/M.1457-12/DS |
| ETSI | ETSI TS 124 167 | 11.0.1 | Published | Jan 13 | http://www.etsi.org/deliver/etsi_ts/124100_124199/124167/11.00.01_60/ |
| TTA | TTAT.3G-24.167(R11-11.0.1) | 11.0.1 | published | Aug 13 | http://www.tta.or.kr/data/ttasDown.jsp?where=14688&pk_num=TTAT.3G-24.167(R11-11.0.1) |
| TTC | TS-3GA-24.167(Rel11)v11.0.1 | 11.0.1 | Approved | Jun 13 | http://www.ttc.or.jp/j/document_list/free/3gpps2013/TS/TS-3GA-24.167(Rel11)v11.0.1.pdf |

5.1.2.12.71 TS 24.171

Control Plane Location Services (LCS) procedures in the Evolved Packet System (EPS)

This document specifies the operations and information coding for the Non-access Stratum (NAS) layer protocol for supporting the Location Services (LCS) in the Evolved Universal Terrestrial Radio Access Network (E-UTRAN). This document is applicable to the User Equipment (UE) and to the Mobility Management Entity (MME) in the Evolved Packet System (EPS). This document is developed in accordance to the general principles stated in 3GPP TS 23.271

| SDO (2) | Document No. | Version | Status | Issued date | Location (1) |
|-------------------|-----------------------------|---------|-----------|-------------|---|
| Release 9 | | | | | |
| ATIS | ATIS.3GPP.24.171V900-2010 | 9.0.0 | Approved | Jul 10 | https://www.atis.org/docstore/default.aspx |
| CCSA | CCSA-TSD-DS-24.171 | 9.0.0 | Published | Jun 12 | http://www.ccsa.org.cn/english/tc/files.php?docpath=/ITU-R/M.1457/M.1457-12/DS |
| ETSI | ETSI TS 124 171 | 9.0.0 | Published | Apr 10 | http://www.etsi.org/deliver/etsi_ts/124100_124199/124171/09.00.00_60/ |
| TTA | TTAT.3G-24.171(R9-9.0.0) | 9.0.0 | Approved | Jul 10 | http://www.tta.or.kr/data/ttasDown.jsp?where=14688&pk_num=TTAT.3G-24.171(R9-9.0.0) |
| TTC | TS-3GA-24.171(Rel9)v9.0.0 | 9.0.0 | Approved | Jul 10 | http://www.ttc.or.jp/j/document_list/free/3gpps2010/TS/TS-3GA-24.171(Rel9)v9.0.0.pdf |
| Release 10 | | | | | |
| ATIS | ATIS.3GPP.24.171V1000-2012 | 10.0.0 | Approved | Jul 12 | https://www.atis.org/docstore/default.aspx |
| CCSA | CCSA-TSD-DS-24.171 | 10.0.0 | Published | Jun 12 | http://www.ccsa.org.cn/english/tc/files.php?docpath=/ITU-R/M.1457/M.1457-12/DS |
| ETSI | ETSI TS 124 171 | 10.0.0 | Published | May 11 | http://www.etsi.org/deliver/etsi_ts/124100_124199/124171/10.00.00_60/ |
| TTA | TTAT.3G-24.171(R10-10.0.0) | 10.0.0 | Approved | Apr 12 | http://www.tta.or.kr/data/ttasDown.jsp?where=14688&pk_num=TTAT.3G-24.171(R10-10.0.0) |
| TTC | TS-3GA-24.171(Rel10)v10.0.0 | 10.0.0 | Approved | Jun 11 | http://www.ttc.or.jp/j/document_list/free/3gpps2011/TS/TS-3GA-24.171(Rel10)v10.0.0.pdf |
| Release 11 | | | | | |
| ATIS | ATIS.3GPP.24.171V1100-2014 | 11.0.0 | Approved | May 14 | https://www.atis.org/docstore/default.aspx |
| CCSA | CCSA-TSD-DS-24.171 | 11.0.0 | Published | Jun 14 | http://www.ccsa.org.cn/english/tc/files.php?docpath=/ITU-R/M.1457/M.1457-12/DS |
| ETSI | ETSI TS 124 171 | 11.0.0 | Published | Oct 12 | http://www.etsi.org/deliver/etsi_ts/124100_124199/124171/11.00.00_60/ |
| TTA | TTAT.3G-24.171(R11-11.0.0) | 11.0.0 | published | Aug 13 | http://www.tta.or.kr/data/ttasDown.jsp?where=14688&pk_num=TTAT.3G-24.171(R11-11.0.0) |
| TTC | TS-3GA-24.171(Rel11)v11.0.0 | 11.0.0 | Approved | Jun 13 | http://www.ttc.or.jp/j/document_list/free/3gpps2013/TS/TS-3GA-24.171(Rel11)v11.0.0.pdf |

5.1.2.12.72 TS 24.173

IMS Multimedia telephony communication service and supplementary services; Stage 3

This specification provides the protocol details for multimedia telephony communication service and associated supplementary services in the IP Multimedia (IM) Core Network (CN) subsystem based on the requirements from 3GPP TS 22.173. Multimedia telephony and supplementary services allow users to establish communications between them and enrich that by enabling supplementary services.

| SDO (2) | Document No. | Version | Status | Issued date | Location (1) |
|------------------|---------------------------|---------|-----------|-------------|---|
| Release 7 | | | | | |
| ATIS | ATIS.3GPP.24.173V790-2010 | 7.9.0 | Approved | Jul 10 | https://www.atis.org/docstore/default.aspx |
| CCSA | CCSA-TSD-DS-24.173 | 7.9.0 | Published | Mar 10 | http://www.ccsa.org.cn/english/tc/files.php?docpath=/ITU-R/M.1457/M.1457-12/DS |
| ETSI | ETSI TS 124 173 | 7.9.0 | Published | Jun 09 | http://www.etsi.org/deliver/etsi_ts/124100_124199/124173/07.09.00_60/ |
| TTA | TTAT.3G-24.173(R7-7.8.0) | 7.8.0 | Approved | Jul 09 | http://www.tta.or.kr/data/ttasDown.jsp?where=14688&pk_num=TTAT.3G-24.173(R7-7.8.0) |
| TTC | TS-3GA-24.173(Rel7)v7.9.0 | 7.9.0 | Approved | Oct 09 | http://www.ttc.or.jp/j/document_list/free/3gpps2009/TS/TS-3GA-24.173(Rel7)v7.9.0.pdf |
| Release 8 | | | | | |
| ATIS | ATIS.3GPP.24.173V860-2010 | 8.6.0 | Approved | Jul 10 | https://www.atis.org/docstore/default.aspx |

| | | | | | |
|-------------------|-----------------------------|--------|-----------|--------|---|
| CCSA | CCSA-TSD-DS-24.173 | 8.6.0 | Published | Mar 10 | http://www.ccsa.org.cn/english/tc/files.php?docpath=/ITU-R/M.1457/M.1457-12/DS |
| ETSI | ETSI TS 124 173 | 8.6.0 | Published | Jan 10 | http://www.etsi.org/deliver/etsi_ts/124100_124199/124173/08.06.00_60/ |
| TTA | TTAT.3G-24.173(R8-8.4.0) | 8.4.0 | Approved | Jul 09 | http://www.tta.or.kr/data/ttasDown.jsp?where=14688&pk_num=TTAT.3G-24.173(R8-8.4.0) |
| TTC | TS-3GA-24.173(Rel8)v8.6.0 | 8.6.0 | Approved | Apr 10 | http://www.ttc.or.jp/j/document_list/free/3gpps2010/TS/TS-3GA-24.173(Rel8)v8.6.0.pdf |
| Release 9 | | | | | |
| ATIS | ATIS.3GPP.24.173V910-2010 | 9.1.0 | Approved | Jul 10 | https://www.atis.org/docstore/default.aspx |
| CCSA | CCSA-TSD-DS-24.173 | 9.1.0 | Published | Mar 10 | http://www.ccsa.org.cn/english/tc/files.php?docpath=/ITU-R/M.1457/M.1457-12/DS |
| ETSI | ETSI TS 124 173 | 9.1.0 | Published | Apr 10 | http://www.etsi.org/deliver/etsi_ts/124100_124199/124173/09.01.00_60/ |
| TTA | TTAT.3G-24.173(R9-9.1.0) | 9.1.0 | Approved | Jul 10 | http://www.tta.or.kr/data/ttasDown.jsp?where=14688&pk_num=TTAT.3G-24.173(R9-9.1.0) |
| TTC | TS-3GA-24.173(Rel9)v9.1.0 | 9.1.0 | Approved | Jul 10 | http://www.ttc.or.jp/j/document_list/free/3gpps2010/TS/TS-3GA-24.173(Rel9)v9.1.0.pdf |
| Release 10 | | | | | |
| ATIS | ATIS.3GPP.24.173V1000-2012 | 10.0.0 | Approved | Jul 12 | https://www.atis.org/docstore/default.aspx |
| CCSA | CCSA-TSD-DS-24.173 | 10.0.0 | Published | Jun 12 | http://www.ccsa.org.cn/english/tc/files.php?docpath=/ITU-R/M.1457/M.1457-12/DS |
| ETSI | ETSI TS 124 173 | 10.0.0 | Published | May 11 | http://www.etsi.org/deliver/etsi_ts/124100_124199/124173/10.00.00_60/ |
| TTC | TS-3GA-24.173(Rel10)v10.0.0 | 10.0.0 | Approved | Jun 11 | http://www.ttc.or.jp/j/document_list/free/3gpps2011/TS/TS-3GA-24.173(Rel10)v10.0.0.pdf |
| Release 11 | | | | | |
| ATIS | ATIS.3GPP.24.173V1150-2014 | 11.5.0 | Approved | May 14 | https://www.atis.org/docstore/default.aspx |
| CCSA | CCSA-TSD-DS-24.173 | 11.5.0 | Published | Jun 14 | http://www.ccsa.org.cn/english/tc/files.php?docpath=/ITU-R/M.1457/M.1457-12/DS |
| ETSI | ETSI TS 124 173 | 11.5.0 | Published | Apr 13 | http://www.etsi.org/deliver/etsi_ts/124100_124199/124173/11.05.00_60/ |
| TTA | TTAT.3G-24.173(R11-11.5.0) | 11.5.0 | published | Aug 13 | http://www.tta.or.kr/data/ttasDown.jsp?where=14688&pk_num=TTAT.3G-24.173(R11-11.5.0) |
| TTC | TS-3GA-24.173(Rel11)v11.5.0 | 11.5.0 | Approved | Jun 13 | http://www.ttc.or.jp/j/document_list/free/3gpps2013/TS/TS-3GA-24.173(Rel11)v11.5.0.pdf |

5.1.2.12.73 TS 24.182

IP Multimedia Subsystem (IMS) Customized Alerting Tones (CAT); Protocol specification

This document provides the protocol details for the Customized Alerting Tones (CAT) service in the IP Multimedia (IM) Core Network (CN) subsystem based on the requirements from 3GPP TS 22.182. The CAT service is an operator specific service by which an operator enables the subscriber to customize the media which is played to the calling party during alerting of the called party.

| SDO (2) | Document No. | Version | Status | Issued date | Location (1) |
|-------------------|----------------------------|---------|-----------|-------------|---|
| Release 8 | | | | | |
| CCSA | CCSA-TSD-DS-24.182 | 8.7.0 | Published | Jun 12 | http://www.ccsa.org.cn/english/tc/files.php?docpath=/ITU-R/M.1457/M.1457-12/DS |
| ETSI | ETSI TS 124 182 | 8.7.0 | Published | Jun 11 | http://www.etsi.org/deliver/etsi_ts/124100_124199/124182/08.07.00_60/ |
| TTC | TS-3GA-24.182(Rel8)v8.7.0 | 8.7.0 | Approved | Aug 11 | http://www.ttc.or.jp/j/document_list/free/3gpps2011/TS/TS-3GA-24.182(Rel8)v8.7.0.pdf |
| Release 9 | | | | | |
| ATIS | ATIS.3GPP.24.182V980-2012 | 9.8.0 | Approved | Jul 12 | https://www.atis.org/docstore/default.aspx |
| CCSA | CCSA-TSD-DS-24.182 | 9.8.0 | Published | Jun 12 | http://www.ccsa.org.cn/english/tc/files.php?docpath=/ITU-R/M.1457/M.1457-12/DS |
| ETSI | ETSI TS 124 182 | 9.8.0 | Published | Jun 11 | http://www.etsi.org/deliver/etsi_ts/124100_124199/124182/09.08.00_60/ |
| TTA | TTAT.3G-24.182(R9-9.4.0) | 9.4.0 | Approved | Jul 10 | http://www.tta.or.kr/data/ttasDown.jsp?where=14688&pk_num=TTAT.3G-24.182(R9-9.4.0) |
| TTC | TS-3GA-24.182(Rel9)v9.8.0 | 9.8.0 | Approved | Jun 11 | http://www.ttc.or.jp/jp/document_list/free/3gpps2011/TS/TS-3GA-24.182(Rel9)v9.8.0.pdf |
| Release 10 | | | | | |
| ATIS | ATIS.3GPP.24.182V1030-2012 | 10.3.0 | Approved | Jul 12 | https://www.atis.org/docstore/default.aspx |

| | | | | | |
|-------------------|-----------------------------|--------|-----------|--------|---|
| CCSA | CCSA-TSD-DS-24.182 | 10.3.0 | Published | Jun 12 | http://www.ccsa.org.cn/english/tc/files.php?docpath=/ITU-R/M.1457/M.1457-12/DS |
| ETSI | ETSI TS 124 182 | 10.3.0 | Published | Jun 11 | http://www.etsi.org/deliver/etsi_ts/124100_124199/124182/10.03.00_60/ |
| TTA | TTAT.3G-24.182(R10-10.3.0) | 10.3.0 | Approved | Apr 12 | http://www.tta.or.kr/data/ttasDown.jsp?where=14688&pk_num=TTAT.3G-24.182(R10-10.3.0) |
| TTC | TS-3GA-24.182(Rel10)v10.3.0 | 10.3.0 | Approved | Jun 11 | http://www.ttc.or.jp/jp/document_list/free/3gpps2011/TS/TS-3GA-24.182(Rel10)v10.3.0.pdf |
| Release 11 | | | | | |
| ATIS | ATIS.3GPP.24.182V1100-2014 | 11.0.0 | Approved | May 14 | https://www.atis.org/docstore/default.aspx |
| CCSA | CCSA-TSD-DS-24.182 | 11.1.0 | Published | Jun 14 | http://www.ccsa.org.cn/english/tc/files.php?docpath=/ITU-R/M.1457/M.1457-12/DS |
| ETSI | ETSI TS 124 182 | 11.0.0 | Published | Oct 12 | http://www.etsi.org/deliver/etsi_ts/124100_124199/124182/11.00.00_60/ |
| TTA | TTAT.3G-24.182(R11-11.0.0) | 11.0.0 | published | Aug 13 | http://www.tta.or.kr/data/ttasDown.jsp?where=14688&pk_num=TTAT.3G-24.182(R11-11.0.0) |
| TTC | TS-3GA-24.182(Rel11)v11.0.0 | 11.0.0 | Approved | Jun 13 | http://www.ttc.or.jp/jp/document_list/free/3gpps2013/TS/TS-3GA-24.182(Rel11)v11.0.0.pdf |

5.1.2.12.74 TS 24.183

IP Multimedia Subsystem (IMS) Customized Ringing Signal (CRS); Protocol specification

The specification provides the protocol details for the Customized Ringing Signal (CRS) service in the IP Multimedia (IM) Core Network (CN) subsystem based on the requirements from 3GPP TS 22.183. The CRS service is an operator specific service by which an operator enables the subscriber to customize the media which is played to the called party as an incoming communication indication during establishment of a communication. This document is applicable to User Equipment (UE) and Application Servers (AS) which are intended to support the CRS service.

| SDO (2) | Document No. | Version | Status | Issued date | Location (1) |
|-------------------|-----------------------------|---------|-----------|-------------|---|
| Release 9 | | | | | |
| ATIS | ATIS.3GPP.24.183V960-2014 | 9.6.0 | Approved | May 14 | https://www.atis.org/docstore/default.aspx |
| CCSA | CCSA-TSD-DS-24.183 | 9.5.0 | Published | Jun 12 | http://www.ccsa.org.cn/english/tc/files.php?docpath=/ITU-R/M.1457/M.1457-12/DS |
| ETSI | ETSI TS 124 183 | 9.6.0 | Published | Jul 12 | http://www.etsi.org/deliver/etsi_ts/124100_124199/124183/09.06.00_60/ |
| TTA | TTAT.3G-24.183(R9-9.1.0) | 9.1.0 | Approved | Jul 10 | http://www.tta.or.kr/data/ttasDown.jsp?where=14688&pk_num=TTAT.3G-24.183(R9-9.1.0) |
| TTC | TS-3GA-24.183(Rel9)v9.6.0 | 9.6.0 | Approved | Sep 12 | http://www.ttc.or.jp/jp/document_list/free/3gpps2012/TS/TS-3GA-24.183(Rel9)v9.6.0.pdf |
| Release 10 | | | | | |
| ATIS | ATIS.3GPP.24.183V1030-2014 | 10.3.0 | Approved | May 14 | https://www.atis.org/docstore/default.aspx |
| CCSA | CCSA-TSD-DS-24.183 | 10.2.0 | Published | Jun 12 | http://www.ccsa.org.cn/english/tc/files.php?docpath=/ITU-R/M.1457/M.1457-12/DS |
| ETSI | ETSI TS 124 183 | 10.3.0 | Published | Jul 12 | http://www.etsi.org/deliver/etsi_ts/124100_124199/124183/10.03.00_60/ |
| TTA | TTAT.3G-24.183(R10-10.2.0) | 10.2.0 | Approved | Apr 12 | http://www.tta.or.kr/data/ttasDown.jsp?where=14688&pk_num=TTAT.3G-24.183(R10-10.2.0) |
| TTC | TS-3GA-24.183(Rel10)v10.3.0 | 10.3.0 | Approved | Sep 12 | http://www.ttc.or.jp/jp/document_list/free/3gpps2011/TS/TS-3GA-24.183(Rel10)v10.2.0.pdf |
| Release 11 | | | | | |
| ATIS | ATIS.3GPP.24.183V1110-2014 | 11.1.0 | Approved | May 14 | https://www.atis.org/docstore/default.aspx |
| CCSA | CCSA-TSD-DS-24.183 | 11.4.0 | Published | Jun 14 | http://www.ccsa.org.cn/english/tc/files.php?docpath=/ITU-R/M.1457/M.1457-12/DS |
| ETSI | ETSI TS 124 183 | 11.1.0 | Published | Nov 12 | http://www.etsi.org/deliver/etsi_ts/124100_124199/124183/11.01.00_60/ |
| TTA | TTAT.3G-24.183(R11-11.1.0) | 11.1.0 | published | Aug 13 | http://www.tta.or.kr/data/ttasDown.jsp?where=14688&pk_num=TTAT.3G-24.183(R11-11.1.0) |
| TTC | TS-3GA-24.183(Rel11)v11.1.0 | 11.1.0 | Approved | Jun 13 | http://www.ttc.or.jp/jp/document_list/free/3gpps2013/TS/TS-3GA-24.183(Rel11)v11.1.0.pdf |

5.1.2.12.75 TS 24.216**Communication Continuity Management Object (MO)**

This document defines the Communication Continuity Management Object. The management object is compatible with OMA Device Management protocol specifications, version 1.2 and upwards, and is defined using the OMA DM Device Description Framework as described in the Enabler Release Definition OMA-ERELED_DM-V1_2. The Communication Continuity Management Object consists of relevant parameters that can be managed for Communication Continuity capabilities.

| SDO (2) | Document No. | Version | Status | Issued date | Location (1) |
|-------------------|-----------------------------|---------|-----------|-------------|---|
| Release 7 | | | | | |
| CCSA | CCSA-TSD-DS-24.216 | 7.5.0 | Published | Jun 12 | http://www.ccsa.org.cn/english/tc/files.php?docpath=/ITU-R/M.1457/M.1457-12/DS |
| ETSI | ETSI TS 124 216 | 7.5.0 | Published | Oct 10 | http://www.etsi.org/deliver/etsi_ts/124200_124299/124216/07.05.00_60/ |
| TTA | TTAT.3G-24.216(R7-7.4.0) | 7.4.0 | Approved | Jul 09 | http://www.tta.or.kr/data/ttasDown.jsp?where=14688&pk_num=TTAT.3G-24.216(R7-7.4.0) |
| TTC | TS-3GA-24.216(Rel7)v7.5.0 | 7.5.0 | Approved | Dec 10 | http://www.ttc.or.jp/j/document_list/free/3gpps2010/TS/TS-3GA-24.216(Rel7)v7.5.0.pdf |
| Release 8 | | | | | |
| CCSA | CCSA-TSD-DS-24.216 | 8.4.0 | Published | Jun 12 | http://www.ccsa.org.cn/english/tc/files.php?docpath=/ITU-R/M.1457/M.1457-12/DS |
| ETSI | ETSI TS 124 216 | 8.4.0 | Published | Oct 10 | http://www.etsi.org/deliver/etsi_ts/124200_124299/124216/08.04.00_60/ |
| TTA | TTAT.3G-24.216(R8-8.1.0) | 8.1.0 | Approved | Jul 09 | http://www.tta.or.kr/data/ttasDown.jsp?where=14688&pk_num=TTAT.3G-24.216(R8-8.1.0) |
| TTC | TS-3GA-24.216(Rel8)v8.4.0 | 8.4.0 | Approved | Dec 10 | http://www.ttc.or.jp/j/document_list/free/3gpps2010/TS/TS-3GA-24.216(Rel8)v8.4.0.pdf |
| Release 9 | | | | | |
| ATIS | ATIS.3GPP.24.216V930-2012 | 9.3.0 | Approved | Jul 12 | https://www.atis.org/docstore/default.aspx |
| CCSA | CCSA-TSD-DS-24.216 | 9.3.0 | Published | Jun 12 | http://www.ccsa.org.cn/english/tc/files.php?docpath=/ITU-R/M.1457/M.1457-12/DS |
| ETSI | ETSI TS 124 216 | 9.3.0 | Published | Oct 10 | http://www.etsi.org/deliver/etsi_ts/124200_124299/124216/09.03.00_60/ |
| TTA | TTAT.3G-24.216(R9-9.1.0) | 9.1.0 | Approved | Jul 10 | http://www.tta.or.kr/data/ttasDown.jsp?where=14688&pk_num=TTAT.3G-24.216(R9-9.1.0) |
| TTC | TS-3GA-24.216(Rel9)v9.3.0 | 9.3.0 | Approved | Dec 10 | http://www.ttc.or.jp/j/document_list/free/3gpps2010/TS/TS-3GA-24.216(Rel9)v9.3.0.pdf |
| Release 10 | | | | | |
| ATIS | ATIS.3GPP.24.216V1000-2012 | 10.0.0 | Approved | Jul 12 | https://www.atis.org/docstore/default.aspx |
| CCSA | CCSA-TSD-DS-24.216 | 10.0.0 | Published | Jun 12 | http://www.ccsa.org.cn/english/tc/files.php?docpath=/ITU-R/M.1457/M.1457-12/DS |
| ETSI | ETSI TS 124 216 | 10.0.0 | Published | Mar 11 | http://www.etsi.org/deliver/etsi_ts/124200_124299/124216/10.00.00_60/ |
| TTA | TTAT.3G-24.216(R10-10.0.0) | 10.0.0 | Approved | Apr 12 | http://www.tta.or.kr/data/ttasDown.jsp?where=14688&pk_num=TTAT.3G-24.216(R10-10.0.0) |
| TTC | TS-3GA-24.216(Rel10)v10.0.0 | 10.0.0 | Approved | Jun 11 | http://www.ttc.or.jp/j/document_list/free/3gpps2011/TS/TS-3GA-24.216(Rel10)v10.0.0.pdf |
| Release 11 | | | | | |
| ATIS | ATIS.3GPP.24.216V1110-2014 | 11.1.0 | Approved | May 14 | https://www.atis.org/docstore/default.aspx |
| CCSA | CCSA-TSD-DS-24.216 | 11.1.0 | Published | Jun 14 | http://www.ccsa.org.cn/english/tc/files.php?docpath=/ITU-R/M.1457/M.1457-12/DS |
| ETSI | ETSI TS 124 216 | 11.1.0 | Published | Jan 13 | http://www.etsi.org/deliver/etsi_ts/124200_124299/124216/11.01.00_60/ |
| TTA | TTAT.3G-24.216(R11-11.1.0) | 11.1.0 | published | Aug 13 | http://www.tta.or.kr/data/ttasDown.jsp?where=14688&pk_num=TTAT.3G-24.216(R11-11.1.0) |
| TTC | TS-3GA-24.216(Rel11)v11.1.0 | 11.1.0 | Approved | Jun 13 | http://www.ttc.or.jp/j/document_list/free/3gpps2013/TS/TS-3GA-24.216(Rel11)v11.1.0.pdf |

5.1.2.12.76 TS 24.229**IP multimedia call control protocol based on Session Initiation Protocol (SIP) and Session Description Protocol (SDP); Stage 3**

This specification document defines a call control protocol for use in the IP Multimedia (IM) Core Network (CN) subsystem based on the Session Initiation

Protocol (SIP), and the associated Session Description Protocol (SDP).

| SDO (2) | Document No. | Version | Status | Issued date | Location (1) |
|-------------------|------------------------------|---------|-----------|-------------|---|
| Release 5 | | | | | |
| ATIS | ATIS.3GPP.24.229V5260-2014 | 5.26.0 | Approved | May 14 | https://www.atis.org/docstore/default.aspx |
| CCSA | CCSA-TSD-DS-24.229 | 5.25.0 | Published | Jun 12 | http://www.ccsa.org.cn/english/tc/files.php?docpath=/ITU-R/M.1457/M.1457-12/DS |
| ETSI | ETSI TS 124 229 | 5.26.0 | Published | Mar 12 | http://www.etsi.org/deliver/etsi_ts/124200_124299/124229/05.26.00_60/ |
| TTA | TTAT.3G-24.229(R5-5.22.0) | 5.22.0 | Approved | Jul 09 | http://www.tta.or.kr/data/ttasDown.jsp?where=14688&pk_num=TTAT.3G-24.229(R5-5.22.0) |
| TTC | TS-3GA-24.229(Rel5)v5.26.0 | 5.26.0 | Approved | Jun 12 | http://www.ttc.or.jp/j/document_list/free/3gpps2012/TS/TS-3GA-24.229(Rel5)v5.26.0.pdf |
| Release 6 | | | | | |
| ATIS | ATIS.3GPP.24.229V6290-2014 | 6.29.0 | Approved | May 14 | https://www.atis.org/docstore/default.aspx |
| CCSA | CCSA-TSD-DS-24.229 | 6.28.0 | Published | Jun 12 | http://www.ccsa.org.cn/english/tc/files.php?docpath=/ITU-R/M.1457/M.1457-12/DS |
| ETSI | ETSI TS 124 229 | 6.29.0 | Published | Mar 12 | http://www.etsi.org/deliver/etsi_ts/124200_124299/124229/06.29.00_60/ |
| TTA | TTAT.3G-24.229(R6-6.21.0) | 6.21.0 | Approved | Jul 09 | http://www.tta.or.kr/data/ttasDown.jsp?where=14688&pk_num=TTAT.3G-24.229(R6-6.21.0) |
| TTC | TS-3GA-24.229(Rel6)v6.29.0 | 6.29.0 | Approved | Jun 12 | http://www.ttc.or.jp/j/document_list/free/3gpps2012/TS/TS-3GA-24.229(Rel6)v6.29.0.pdf |
| Release 7 | | | | | |
| ATIS | ATIS.3GPP.24.229V7300-2014 | 7.30.0 | Approved | May 14 | https://www.atis.org/docstore/default.aspx |
| CCSA | CCSA-TSD-DS-24.229 | 7.26.0 | Published | Jun 12 | http://www.ccsa.org.cn/english/tc/files.php?docpath=/ITU-R/M.1457/M.1457-12/DS |
| ETSI | ETSI TS 124 229 | 7.30.0 | Published | Jan 13 | http://www.etsi.org/deliver/etsi_ts/124200_124299/124229/07.30.00_60/ |
| TTA | TTAT.3G-24.229(R7-7.15.0) | 7.15.0 | Approved | Jul 09 | http://www.tta.or.kr/data/ttasDown.jsp?where=14688&pk_num=TTAT.3G-24.229(R7-7.15.0) |
| TTC | TS-3GA-24.229(Rel7)v7.30.0 | 7.30.0 | Approved | Jun 13 | http://www.ttc.or.jp/j/document_list/free/3gpps2013/TS/TS-3GA-24.229(Rel7)v7.30.0.pdf |
| Release 8 | | | | | |
| ATIS | ATIS.3GPP.24.229V8230-2014 | 8.23.0 | Approved | May 14 | https://www.atis.org/docstore/default.aspx |
| CCSA | CCSA-TSD-DS-24.229 | 8.18.0 | Published | Jun 12 | http://www.ccsa.org.cn/english/tc/files.php?docpath=/ITU-R/M.1457/M.1457-12/DS |
| ETSI | ETSI TS 124 229 | 8.23.0 | Published | Apr 13 | http://www.etsi.org/deliver/etsi_ts/124200_124299/124229/08.23.00_60/ |
| TTA | TTAT.3G-24.229(R8-8.7.0) | 8.7.0 | Approved | Jul 09 | http://www.tta.or.kr/data/ttasDown.jsp?where=14688&pk_num=TTAT.3G-24.229(R8-8.7.0) |
| TTC | TS-3GA-24.229(Rel8)v8.23.0 | 8.23.0 | Approved | Jun 13 | http://www.ttc.or.jp/j/document_list/free/3gpps2013/TS/TS-3GA-24.229(Rel8)v8.23.0.pdf |
| Release 9 | | | | | |
| ATIS | ATIS.3GPP.24.229V9150-2014 | 9.15.0 | Approved | May 14 | https://www.atis.org/docstore/default.aspx |
| CCSA | CCSA-TSD-DS-24.229 | 9.10.0 | Published | Jun 12 | http://www.ccsa.org.cn/english/tc/files.php?docpath=/ITU-R/M.1457/M.1457-12/DS |
| ETSI | ETSI TS 124 229 | 9.15.0 | Published | Apr 13 | http://www.etsi.org/deliver/etsi_ts/124200_124299/124229/09.15.00_60/ |
| TTA | TTAT.3G-24.229(R9-9.3.1) | 9.3.1 | Approved | Jul 10 | http://www.tta.or.kr/data/ttasDown.jsp?where=14688&pk_num=TTAT.3G-24.229(R9-9.3.1) |
| TTC | TS-3GA-24.229(Rel9)v9.15.0 | 9.15.0 | Approved | Jun 13 | http://www.ttc.or.jp/j/document_list/free/3gpps2013/TS/TS-3GA-24.229(Rel9)v9.15.0.pdf |
| Release 10 | | | | | |
| ATIS | ATIS.3GPP.24.229V10110- | 10.11.0 | Approved | May 14 | https://www.atis.org/docstore/default.aspx |
| CCSA | CCSA-TSD-DS-24.229 | 10.6.1 | Published | Jun 12 | http://www.ccsa.org.cn/english/tc/files.php?docpath=/ITU-R/M.1457/M.1457-12/DS |
| ETSI | ETSI TS 124 229 | 10.11.0 | Published | Apr 13 | http://www.etsi.org/deliver/etsi_ts/124200_124299/124229/10.11.00_60/ |
| TTA | TTAT.3G-24.229(R10-10.7.0) | 10.7.0 | Approved | Aug 12 | http://www.tta.or.kr/data/ttasDown.jsp?where=14688&pk_num=TTAT.3G-24.229(R10-10.7.0) |
| TTC | TS-3GA-24.229(Rel10)v10.11.0 | 10.11.0 | Approved | Jun 13 | http://www.ttc.or.jp/j/document_list/free/3gpps2013/TS/TS-3GA-24.229(Rel10)v10.11.0.pdf |
| Release 11 | | | | | |
| ATIS | ATIS.3GPP.24.229V1170-2014 | 11.7.0 | Approved | May 14 | https://www.atis.org/docstore/default.aspx |
| CCSA | CCSA-TSD-DS-24.229 | 11.12.0 | Published | Jun 14 | http://www.ccsa.org.cn/english/tc/files.php?docpath=/ITU-R/M.1457/M.1457-12/DS |
| ETSI | ETSI TS 124 229 | 11.7.0 | Published | Apr 13 | http://www.etsi.org/deliver/etsi_ts/124200_124299/124229/11.07.00_60/ |

| | | | | | |
|-----|-----------------------------|--------|-----------|--------|---|
| TTA | TTAT.3G-24.229(R11-11.7.0) | 11.7.0 | published | Aug 13 | http://www.tta.or.kr/data/ttasDown.jsp?where=14688&pk_num=TTAT.3G-24.229(R11-11.7.0) |
| TTC | TS-3GA-24.229(Rel11)v11.7.0 | 11.7.0 | Approved | Jun 13 | http://www.ttc.or.jp/jp/document_list/free/3gpps2013/TS/TS-3GA-24.229(Rel11)v11.7.0.pdf |

5.1.2.12.77 TS 24.234

3GPP system to Wireless Local Area Network (WLAN) interworking; WLAN User Equipment (WLAN UE) to network protocols; Stage 3

The document specifies the network selection, including authentication and access authorization using authentication, authorization and accounting (AAA) procedures used for the interworking of the 3GPP system and WLANs. In addition to these it also specifies the tunnel management procedures used for establishing an end-to-end tunnel from the WLAN UE to the 3GPP network via the Wu reference point. The document is applicable to the WLAN user equipment (UE) and the network. In this technical specification the network includes the WLAN and 3GPP network. Furthermore, the document specifies procedures within I-WLAN necessary in order for IMS emergency calls to be supported when I-WLAN is used as the underlying access network. These involve both network selection as well as tunnel management procedures.

| SDO (2) | Document No. | Version | Status | Issued date | Location (1) |
|-------------------|-----------------------------|---------|-----------|-------------|---|
| Release 6 | | | | | |
| TTC | TS-3GA-24.234(Rel6)v6.7.0 | 6.7.0 | Approved | Mar 07 | http://www.ttc.or.jp/jp/document_list/free/TS/TS-3GA-24.234(Rel6)v6.7.0.pdf |
| Release 7 | | | | | |
| TTC | TS-3GA-24.234(Rel7)v7.6.0 | 7.6.0 | Approved | Feb 09 | http://www.ttc.or.jp/jp/document_list/free/3gpps2009/TS/TS-3GA-24.234(Rel7)v7.6.0.pdf |
| Release 8 | | | | | |
| TTC | TS-3GA-24.234(Rel8)v8.6.0 | 8.6.0 | Approved | Jun 11 | http://www.ttc.or.jp/jp/document_list/free/3gpps2011/TS/TS-3GA-24.234(Rel8)v8.6.0.pdf |
| Release 9 | | | | | |
| TTC | TS-3GA-24.234(Rel9)v9.4.0 | 9.4.0 | Approved | Dec 11 | http://www.ttc.or.jp/jp/document_list/free/3gpps2011/TS/TS-3GA-24.234(Rel9)v9.4.0.pdf |
| Release 10 | | | | | |
| TTC | TS-3GA-24.234(Rel10)v10.4.0 | 10.4.0 | Approved | Feb 12 | http://www.ttc.or.jp/jp/document_list/free/3gpps2012/TS/TS-3GA-24.234(Rel10)v10.4.0.pdf |
| Release 11 | | | | | |
| ATIS | ATIS.3GPP.24.234V1130-2014 | 11.3.0 | Approved | May 14 | https://www.atis.org/docstore/default.aspx |
| TTA | TTAT.3G-24.234(R11-11.3.0) | 11.3.0 | published | Aug 13 | http://www.tta.or.kr/data/ttasDown.jsp?where=14688&pk_num=TTAT.3G-24.234(R11-11.3.0) |
| TTC | TS-3GA-24.234(Rel11)v11.3.0 | 11.3.0 | Approved | Jun 13 | http://www.ttc.or.jp/jp/document_list/free/3gpps2013/TS/TS-3GA-24.234(Rel11)v11.3.0.pdf |

5.1.2.12.78 TS 24.235

3GPP System to Wireless Local Area Network (WLAN) interworking Management Object (MO)

This document defines the 3GPP System to Wireless Local Area Network interworking Management Object (MO) for I-WLAN PLMN selection as specified in 3GPP TS 24.234. The 3GPP System to Wireless Local Area Network interworking Management Object consists of relevant parameters that can be managed for WLAN UE as specified in 3GPP TS 24.234.

| SDO (2) | Document No. | Version | Status | Issued date | Location (1) |
|-------------------|-----------------------------|---------|-----------|-------------|---|
| Release 10 | | | | | |
| TTC | TS-3GA-24.235(Rel10)v10.1.0 | 10.1.0 | Approved | Aug 11 | http://www.ttc.or.jp/j/document_list/free/3gpps2011/TS/TS-3GA-24.235(Rel10)v10.1.0.pdf |
| Release 11 | | | | | |
| ATIS | ATIS.3GPP.24.235V1110-2014 | 11.1.0 | Approved | May 14 | https://www.atis.org/docstore/default.aspx |
| TTA | TTAT.3G-24.235(R11-11.1.0) | 11.1.0 | published | Aug 13 | http://www.tta.or.kr/data/ttasDown.jsp?where=14688&pk_num=TTAT.3G-24.235(R11-11.1.0) |
| TTC | TS-3GA-24.235(Rel11)v11.1.0 | 11.1.0 | Approved | Jun 13 | http://www.ttc.or.jp/j/document_list/free/3gpps2013/TS/TS-3GA-24.235(Rel11)v11.1.0.pdf |

5.1.2.12.79 TS 24.237

IP Multimedia (IM) Core Network (CN) subsystem IP Multimedia Subsystem (IMS) service continuity; Stage 3

This specification provides the protocol details for voice call continuity between the IP Multimedia (IM) Core Network (CN) subsystem based on the Session Initiation Protocol (SIP) and the Session Description Protocol (SDP) and the protocols of the 3GPP Circuit-Switched (CS) domain (CAP, MAP, ISUP, BICC and the NAS call control protocol for the CS access). Voice call continuity allows users to move between the CS domain and the IP Connectivity Access Network (e.g. WLAN interworking) with home IM CN subsystem functionality.

| SDO (2) | Document No. | Version | Status | Issued date | Location (1) |
|-------------------|------------------------------|---------|-----------|-------------|---|
| Release 8 | | | | | |
| ATIS | ATIS.3GPP.24.237V8120-2014 | 8.12.0 | Approved | May 14 | https://www.atis.org/docstore/default.aspx |
| CCSA | CCSA-TSD-DS-24.237 | 8.10.0 | Published | Jun 12 | http://www.ccsa.org.cn/english/tc/files.php?docpath=/ITU-R/M.1457/M.1457-12/DS |
| ETSI | ETSI TS 124 237 | 8.12.0 | Published | Jan 13 | http://www.etsi.org/deliver/etsi_ts/124200_124299/124237/08.12.00_60/ |
| TTA | TTAT.3G-24.237(R8-8.1.0) | 8.1.0 | Approved | Jul 09 | http://www.tta.or.kr/data/ttasDown.jsp?where=14688&pk_num=TTAT.3G-24.237(R8-8.1.0) |
| TTC | TS-3GA-24.237(Rel8)v8.12.0 | 8.12.0 | Approved | Jun 13 | http://www.ttc.or.jp/jp/document_list/free/3gpps2013/TS/TS-3GA-24.237(Rel8)v8.12.0.pdf |
| Release 9 | | | | | |
| ATIS | ATIS.3GPP.24.237V9140-2014 | 9.14.0 | Approved | May 14 | https://www.atis.org/docstore/default.aspx |
| CCSA | CCSA-TSD-DS-24.237 | 9.9.0 | Published | Jun 12 | http://www.ccsa.org.cn/english/tc/files.php?docpath=/ITU-R/M.1457/M.1457-12/DS |
| ETSI | ETSI TS 124 237 | 9.14.0 | Published | Apr 13 | http://www.etsi.org/deliver/etsi_ts/124200_124299/124237/09.14.00_60/ |
| TTA | TTAT.3G-24.237(R9-9.2.0) | 9.2.0 | Approved | Jul 10 | http://www.tta.or.kr/data/ttasDown.jsp?where=14688&pk_num=TTAT.3G-24.237(R9-9.2.0) |
| TTC | TS-3GA-24.237(Rel9)v9.14.0 | 9.14.0 | Approved | Jun 13 | http://www.ttc.or.jp/jp/document_list/free/3gpps2013/TS/TS-3GA-24.237(Rel9)v9.14.0.pdf |
| Release 10 | | | | | |
| ATIS | ATIS.3GPP.24.237V10100- | 10.10.0 | Approved | May 14 | https://www.atis.org/docstore/default.aspx |
| CCSA | CCSA-TSD-DS-24.237 | 10.5.0 | Published | Jun 12 | http://www.ccsa.org.cn/english/tc/files.php?docpath=/ITU-R/M.1457/M.1457-12/DS |
| ETSI | ETSI TS 124 237 | 10.10.0 | Published | Apr 13 | http://www.etsi.org/deliver/etsi_ts/124200_124299/124237/10.10.00_60/ |
| TTA | TTAT.3G-24.237(R10-10.6.0) | 10.6.0 | Approved | Aug 12 | http://www.tta.or.kr/data/ttasDown.jsp?where=14688&pk_num=TTAT.3G-24.237(R10-10.6.0) |
| TTC | TS-3GA-24.237(Rel10)v10.10.0 | 10.10.0 | Approved | Jun 13 | http://www.ttc.or.jp/jp/document_list/free/3gpps2013/TS/TS-3GA-24.237(Rel10)v10.10.0.pdf |
| Release 11 | | | | | |
| ATIS | ATIS.3GPP.24.237V1160-2014 | 11.6.0 | Approved | May 14 | https://www.atis.org/docstore/default.aspx |
| CCSA | CCSA-TSD-DS-24.237 | 11.11.0 | Published | Jun 14 | http://www.ccsa.org.cn/english/tc/files.php?docpath=/ITU-R/M.1457/M.1457-12/DS |
| ETSI | ETSI TS 124 237 | 11.6.0 | Published | Apr 13 | http://www.etsi.org/deliver/etsi_ts/124200_124299/124237/11.06.00_60/ |
| TTA | TTAT.3G-24.237(R11-11.6.0) | 11.6.0 | published | Aug 13 | http://www.tta.or.kr/data/ttasDown.jsp?where=14688&pk_num=TTAT.3G-24.237(R11-11.6.0) |

TTC TS-3GA-24.237(Rel11)v11.6.0 11.6.0 Approved Jun 13 [http://www.ttc.or.jp/jp/document_list/free/3gpps2013/TS/TS-3GA-24.237\(Rel11\)v11.6.0.pdf](http://www.ttc.or.jp/jp/document_list/free/3gpps2013/TS/TS-3GA-24.237(Rel11)v11.6.0.pdf)

5.1.2.12.80 TS 24.238

Session Initiation Protocol (SIP) based user configuration; Stage 3

This document provides a Session Initiation Protocol (SIP) based protocol framework that serves as a means of user configuration of supplementary services in the IP Multimedia (IM) Core Network (CN) subsystem. The protocol framework relies upon the contents of the Request-URI in a SIP INVITE request to enable basic configuration of services without requiring use of the Ut interface.

| SDO (2) | Document No. | Version | Status | Issued date | Location (1) |
|-------------------|-----------------------------|---------|-----------|-------------|---|
| Release 8 | | | | | |
| CCSA | CCSA-TSD-DS-24.238 | 8.2.0 | Published | Jun 12 | http://www.ccsa.org.cn/english/tc/files.php?docpath=/ITU-R/M.1457/M.1457-12/DS |
| ETSI | ETSI TS 124 238 | 8.2.0 | Published | Jan 10 | http://www.etsi.org/deliver/etsi_ts/124200_124299/124238/08.02.00_60/ |
| TTC | TS-3GA-24.238(Rel8)v8.2.0 | 8.2.0 | Approved | Apr 10 | http://www.ttc.or.jp/j/document_list/free/3gpps2010/TS/TS-3GA-24.238(Rel8)v8.2.0.pdf |
| Release 9 | | | | | |
| ATIS | ATIS.3GPP.24.238V900-2010 | 9.0.0 | Approved | Jul 10 | https://www.atis.org/docstore/default.aspx |
| CCSA | CCSA-TSD-DS-24.238 | 9.0.0 | Published | Jun 12 | http://www.ccsa.org.cn/english/tc/files.php?docpath=/ITU-R/M.1457/M.1457-12/DS |
| ETSI | ETSI TS 124 238 | 9.0.0 | Published | Jan 10 | http://www.etsi.org/deliver/etsi_ts/124200_124299/124238/09.00.00_60/ |
| TTA | TTAT.3G-24.238(R9-9.0.0) | 9.0.0 | Approved | Jul 10 | http://www.tta.or.kr/data/ttasDown.jsp?where=14688&pk_num=TTAT.3G-24.238(R9-9.0.0) |
| TTC | TS-3GA-24.238(Rel9)v9.0.0 | 9.0.0 | Approved | Jul 10 | http://www.ttc.or.jp/j/document_list/free/3gpps2010/TS/TS-3GA-24.238(Rel9)v9.0.0.pdf |
| Release 10 | | | | | |
| ATIS | ATIS.3GPP.24.238V1000-2012 | 10.0.0 | Approved | Jul 12 | https://www.atis.org/docstore/default.aspx |
| CCSA | CCSA-TSD-DS-24.238 | 10.0.0 | Published | Jun 12 | http://www.ccsa.org.cn/english/tc/files.php?docpath=/ITU-R/M.1457/M.1457-12/DS |
| ETSI | ETSI TS 124 238 | 10.0.0 | Published | Mar 11 | http://www.etsi.org/deliver/etsi_ts/124200_124299/124238/10.00.00_60/ |
| TTA | TTAT.3G-24.238(R10-10.0.0) | 10.0.0 | Approved | Apr 12 | http://www.tta.or.kr/data/ttasDown.jsp?where=14688&pk_num=TTAT.3G-24.238(R10-10.0.0) |
| TTC | TS-3GA-24.238(Rel10)v10.0.0 | 10.0.0 | Approved | Jun 11 | http://www.ttc.or.jp/j/document_list/free/3gpps2011/TS/TS-3GA-24.238(Rel10)v10.0.0.pdf |
| Release 11 | | | | | |
| ATIS | ATIS.3GPP.24.238V1120-2014 | 11.2.0 | Approved | May 14 | https://www.atis.org/docstore/default.aspx |
| CCSA | CCSA-TSD-DS-24.238 | 11.2.0 | Published | Jun 14 | http://www.ccsa.org.cn/english/tc/files.php?docpath=/ITU-R/M.1457/M.1457-12/DS |
| ETSI | ETSI TS 124 238 | 11.2.0 | Published | Apr 13 | http://www.etsi.org/deliver/etsi_ts/124200_124299/124238/11.02.00_60/ |
| TTA | TTAT.3G-24.238(R11-11.2.0) | 11.2.0 | published | Aug 13 | http://www.tta.or.kr/data/ttasDown.jsp?where=14688&pk_num=TTAT.3G-24.238(R11-11.2.0) |
| TTC | TS-3GA-24.238(Rel11)v11.2.0 | 11.2.0 | Approved | Jun 13 | http://www.ttc.or.jp/j/document_list/free/3gpps2013/TS/TS-3GA-24.238(Rel11)v11.2.0.pdf |

5.1.2.12.81 TS 24.239

Flexible Alerting (FA) using IP Multimedia (IM) Core Network (CN) subsystem; Protocol specification

This document provides the protocol details for the Flexible Alerting supplementary service in the IP Multimedia (IM) Core Network (CN) subsystem. Flexible Alerting (FA) causes a call to a pilot identity to branch the call into several legs to alert several termination addresses (group members) simultaneously. The first leg to be answered is connected to the calling party. The other call legs are abandoned. The document is applicable to User Equipment (UE) and Application Servers (AS) which are intended to support the FA supplementary service.

| SDO (2) | Document No. | Version | Status | Issued date | Location (1) |
|-------------------|-----------------------------|---------|-----------|-------------|---|
| Release 8 | | | | | |
| TTC | TS-3GA-24.239(Rel8)v8.2.0 | 8.2.0 | Approved | Apr 10 | http://www.ttc.or.jp/j/document_list/free/3gpps2010/TS/TS-3GA-24.239(Rel8)v8.2.0.pdf |
| Release 9 | | | | | |
| ATIS | ATIS.3GPP.31.111V9101-2014 | 9.10.1 | Approved | May 14 | https://www.atis.org/docstore/default.aspx |
| TTC | TS-3GA-24.239(Rel9)v9.0.0 | 9.0.0 | Approved | Jul 10 | http://www.ttc.or.jp/j/document_list/free/3gpps2010/TS/TS-3GA-24.239(Rel9)v9.0.0.pdf |
| Release 10 | | | | | |
| TTC | TS-3GA-24.239(Rel10)v10.0.0 | 10.0.0 | Approved | Jun 11 | http://www.ttc.or.jp/j/document_list/free/3gpps2011/TS/TS-3GA-24.239(Rel10)v10.0.0.pdf |
| Release 11 | | | | | |
| ATIS | ATIS.3GPP.24.238V1100-2014 | 11.0.0 | Approved | May 14 | https://www.atis.org/docstore/default.aspx |
| TTA | TTAT.3G-24.239(R11-11.0.0) | 11.0.0 | published | Aug 13 | http://www.tta.or.kr/data/ttasDown.jsp?where=14688&pk_num=TTAT.3G-24.239(R11-11.0.0) |
| TTC | TS-3GA-24.239(Rel11)v11.0.0 | 11.0.0 | Approved | Jun 13 | http://www.ttc.or.jp/j/document_list/free/3gpps2013/TS/TS-3GA-24.239(Rel11)v11.0.0.pdf |

5.1.2.12.82 TS 24.247

Messaging service using the IP Multimedia (IM) Core Network (CN) subsystem; Stage 3

This specification provides the protocol details for the messaging service within the IP Multimedia CN Subsystem (IMS) based on the Session Initiation Protocol (SIP), the Session Description Protocol (SDP) and, the Message Session Relay Protocol (MSRP).

| SDO (2) | Document No. | Version | Status | Issued date | Location (1) |
|------------------|----------------------------|---------|-----------|-------------|---|
| Release 6 | | | | | |
| ATIS | ATIS.3GPP.24.247V6100-2009 | 6.10.0 | Approved | Jul 09 | https://www.atis.org/docstore/default.aspx |
| CCSA | CCSA-TSD-DS-24.247 | 6.10.0 | Published | Jan 09 | http://www.ccsa.org.cn/english/tc/files.php?docpath=/ITU-R/M.1457/M.1457-12/DS |
| ETSI | ETSI TS 124 247 | 6.10.0 | Published | Jan 09 | http://www.etsi.org/deliver/etsi_ts/124200_124299/124247/06.10.00_60/ |
| TTA | TTAT.3G-24.247(R6-6.10.0) | 6.10.0 | Approved | Jul 09 | http://www.tta.or.kr/data/ttasDown.jsp?where=14688&pk_num=TTAT.3G-24.247(R6-6.10.0) |
| TTC | TS-3GA-24.247(Rel6)v6.10.0 | 6.10.0 | Approved | Feb 09 | http://www.ttc.or.jp/j/document_list/free/3gpps2009/TS/TS-3GA-24.247(Rel6)v6.10.0.pdf |
| Release 7 | | | | | |
| ATIS | ATIS.3GPP.24.247V750-2014 | 7.5.0 | Approved | May 14 | https://www.atis.org/docstore/default.aspx |
| CCSA | CCSA-TSD-DS-24.247 | 7.5.0 | Published | Jun 12 | http://www.ccsa.org.cn/english/tc/files.php?docpath=/ITU-R/M.1457/M.1457-12/DS |
| ETSI | ETSI TS 124 247 | 7.5.0 | Published | Jan 11 | http://www.etsi.org/deliver/etsi_ts/124200_124299/124247/07.05.00_60/ |
| TTA | TTAT.3G-24.247(R7-7.4.0) | 7.4.0 | Approved | Jul 09 | http://www.tta.or.kr/data/ttasDown.jsp?where=14688&pk_num=TTAT.3G-24.247(R7-7.4.0) |
| TTC | TS-3GA-24.247(Rel7)v7.5.0 | 7.5.0 | Approved | Apr 11 | http://www.ttc.or.jp/j/document_list/free/3gpps2011/TS/TS-3GA-24.247(Rel7)v7.5.0.pdf |
| Release 8 | | | | | |
| ATIS | ATIS.3GPP.24.247V8110-2014 | 8.11.0 | Approved | May 14 | https://www.atis.org/docstore/default.aspx |
| CCSA | CCSA-TSD-DS-24.247 | 8.9.0 | Published | Jun 12 | http://www.ccsa.org.cn/english/tc/files.php?docpath=/ITU-R/M.1457/M.1457-12/DS |
| ETSI | ETSI TS 124 247 | 8.11.0 | Published | Jan 13 | http://www.etsi.org/deliver/etsi_ts/124200_124299/124247/08.11.00_60/ |
| TTA | TTAT.3G-24.247(R8-8.2.0) | 8.2.0 | Approved | Jul 09 | http://www.tta.or.kr/data/ttasDown.jsp?where=14688&pk_num=TTAT.3G-24.247(R8-8.2.0) |
| TTC | TS-3GA-24.247(Rel8)v8.11.0 | 8.11.0 | Approved | Jun 13 | http://www.ttc.or.jp/j/document_list/free/3gpps2013/TS/TS-3GA-24.247(Rel8)v8.11.0.pdf |
| Release 9 | | | | | |
| ATIS | ATIS.3GPP.24.247V980-2014 | 9.8.0 | Approved | May 14 | https://www.atis.org/docstore/default.aspx |
| CCSA | CCSA-TSD-DS-24.247 | 9.6.0 | Published | Jun 12 | http://www.ccsa.org.cn/english/tc/files.php?docpath=/ITU-R/M.1457/M.1457-12/DS |
| ETSI | ETSI TS 124 247 | 9.8.0 | Published | Jan 13 | http://www.etsi.org/deliver/etsi_ts/124200_124299/124247/09.08.00_60/ |

| | | | | | |
|-------------------|-----------------------------|--------|-----------|--------|---|
| TTA | TTAT.3G-24.247(R9-9.0.0) | 9.0.0 | Approved | Jul 10 | http://www.tta.or.kr/data/ttasDown.jsp?where=14688&pk_num=TTAT.3G-24.247(R9-9.0.0) |
| TTC | TS-3GA-24.247(Rel9)v9.8.0 | 9.8.0 | Approved | Jun 13 | http://www.ttc.or.jp/j/document_list/free/3gpps2013/TS/TS-3GA-24.247(Rel9)v9.8.0.pdf |
| Release 10 | | | | | |
| ATIS | ATIS.3GPP.24.247V1050-2014 | 10.5.0 | Approved | May 14 | https://www.atis.org/docstore/default.aspx |
| CCSA | CCSA-TSD-DS-24.247 | 10.3.0 | Published | Jun 12 | http://www.ccsa.org.cn/english/tc/files.php?docpath=/ITU-R/M.1457/M.1457-12/DS |
| ETSI | ETSI TS 124 247 | 10.5.0 | Published | Jan 13 | http://www.etsi.org/deliver/etsi_ts/124200_124299/124247/10.05.00_60/ |
| TTA | TTAT.3G-24.247(R10-10.3.0) | 10.3.0 | Approved | Aug 12 | http://www.tta.or.kr/data/ttasDown.jsp?where=14688&pk_num=TTAT.3G-24.247(R10-10.3.0) |
| TTC | TS-3GA-24.247(Rel10)v10.5.0 | 10.5.0 | Approved | Jun 13 | http://www.ttc.or.jp/j/document_list/free/3gpps2013/TS/TS-3GA-24.247(Rel10)v10.5.0.pdf |
| Release 11 | | | | | |
| ATIS | ATIS.3GPP.24.247V1120-2014 | 11.2.0 | Approved | May 14 | https://www.atis.org/docstore/default.aspx |
| CCSA | CCSA-TSD-DS-24.247 | 11.2.0 | Published | Jun 14 | http://www.ccsa.org.cn/english/tc/files.php?docpath=/ITU-R/M.1457/M.1457-12/DS |
| ETSI | ETSI TS 124 247 | 11.2.0 | Published | Jan 13 | http://www.etsi.org/deliver/etsi_ts/124200_124299/124247/11.02.00_60/ |
| TTA | TTAT.3G-24.247(R11-11.2.0) | 11.2.0 | published | Aug 13 | http://www.tta.or.kr/data/ttasDown.jsp?where=14688&pk_num=TTAT.3G-24.247(R11-11.2.0) |
| TTC | TS-3GA-24.247(Rel11)v11.2.0 | 11.2.0 | Approved | Jun 13 | http://www.ttc.or.jp/j/document_list/free/3gpps2013/TS/TS-3GA-24.247(Rel11)v11.2.0.pdf |

5.1.2.12.83 TS 24.259

Personal Network Management (PNM); Stage 3

Personal Network Management (PNM) is a home network-based application and provides the home network-based management of Personal Network (PN) consisting of multiple devices belonging to a single user, as described in 3GPP TS 22.259 and 3GPP TS 23.259. This document provides the protocol details for enabling Personal Network management (PNM) services in the IP Multimedia (IM) Core Network (CN) subsystem based on the protocols of XML. Configuration Access Protocol (XCAP), Session Initiation Protocol (SIP) and the Session Description Protocol (SDP). The document provides the protocol details for enabling Personal Network management (PNM) services in Circuit Switched (CS) domain based on the protocols of CAP, MAP, ISUP, USSD and BICC.

| SDO (2) | Document No. | Version | Status | Issued date | Location (1) |
|-------------------|----------------------------|---------|-----------|-------------|---|
| Release 8 | | | | | |
| ATIS | ATIS.3GPP.24.259V820-2010 | 8.2.0 | Approved | Jul 10 | https://www.atis.org/docstore/default.aspx |
| CCSA | CCSA-TSD-DS-24.259 | 8.2.0 | Published | Mar 10 | http://www.ccsa.org.cn/english/tc/files.php?docpath=/ITU-R/M.1457/M.1457-12/DS |
| ETSI | ETSI TS 124 259 | 8.2.0 | Published | Jun 09 | http://www.etsi.org/deliver/etsi_ts/124200_124299/124259/08.02.00_60/ |
| TTA | TTAT.3G-24.259(R8-8.1.0) | 8.1.0 | Approved | Jul 09 | http://www.tta.or.kr/data/ttasDown.jsp?where=14688&pk_num=TTAT.3G-24.259(R8-8.1.0) |
| TTC | TS-3GA-24.259(Rel8)v8.2.0 | 8.2.0 | Approved | Oct 09 | http://www.ttc.or.jp/j/document_list/free/3gpps2009/TS/TS-3GA-24.259(Rel8)v8.2.0.pdf |
| Release 9 | | | | | |
| ATIS | ATIS.3GPP.24.259V970-2014 | 9.7.0 | Approved | May 14 | https://www.atis.org/docstore/default.aspx |
| CCSA | CCSA-TSD-DS-24.259 | 9.5.0 | Published | Jun 12 | http://www.ccsa.org.cn/english/tc/files.php?docpath=/ITU-R/M.1457/M.1457-12/DS |
| ETSI | ETSI TS 124 259 | 9.7.0 | Published | Jan 13 | http://www.etsi.org/deliver/etsi_ts/124200_124299/124259/09.07.00_60/ |
| TTA | TTAT.3G-24.259(R9-9.1.0) | 9.1.0 | Approved | Jul 10 | http://www.tta.or.kr/data/ttasDown.jsp?where=14688&pk_num=TTAT.3G-24.259(R9-9.1.0) |
| TTC | TS-3GA-24.259(Rel9)v9.7.0 | 9.7.0 | Approved | Jun 13 | http://www.ttc.or.jp/jp/document_list/free/3gpps2013/TS/TS-3GA-24.259(Rel9)v9.7.0.pdf |
| Release 10 | | | | | |
| ATIS | ATIS.3GPP.24.259V1040-2014 | 10.4.0 | Approved | May 14 | https://www.atis.org/docstore/default.aspx |
| CCSA | CCSA-TSD-DS-24.259 | 10.2.0 | Published | Jun 12 | http://www.ccsa.org.cn/english/tc/files.php?docpath=/ITU-R/M.1457/M.1457-12/DS |
| ETSI | ETSI TS 124 259 | 10.4.0 | Published | Jan 13 | http://www.etsi.org/deliver/etsi_ts/124200_124299/124259/10.04.00_60/ |

| | | | | | |
|-----|-----------------------------|--------|----------|--------|---|
| TTA | TTAT.3G-24.259(R10-10.3.0) | 10.3.0 | Approved | Aug 12 | http://www.tta.or.kr/data/ttasDown.jsp?where=14688&pk_num=TTAT.3G-24.259(R10-10.3.0) |
| TTC | TS-3GA-24.259(Rel10)v10.4.0 | 10.4.0 | Approved | Jun 13 | http://www.ttc.or.jp/jp/document_list/free/3gpps2013/TS/TS-3GA-24.259(Rel10)v10.4.0.pdf |

Release 11

| | | | | | |
|------|-----------------------------|--------|-----------|--------|---|
| ATIS | ATIS.3GPP.24.259V1110-2014 | 11.1.0 | Approved | May 14 | https://www.atis.org/docstore/default.aspx |
| CCSA | CCSA-TSD-DS-24.259 | 11.4.0 | Published | Jun 14 | http://www.ccsa.org.cn/english/tc/files.php?docpath=/ITU-R/M.1457/M.1457-12/DS |
| ETSI | ETSI TS 124 259 | 11.1.0 | Published | Jan 13 | http://www.etsi.org/deliver/etsi_ts/124200_124299/124259/11.01.00_60/ |
| TTA | TTAT.3G-24.259(R11-11.1.0) | 11.1.0 | published | Aug 13 | http://www.tta.or.kr/data/ttasDown.jsp?where=14688&pk_num=TTAT.3G-24.259(R11-11.1.0) |
| TTC | TS-3GA-24.259(Rel11)v11.1.0 | 11.1.0 | Approved | Jun 13 | http://www.ttc.or.jp/jp/document_list/free/3gpps2013/TS/TS-3GA-24.259(Rel11)v11.1.0.pdf |

5.1.2.12.84 TS 24.279**Combining Circuit Switched (CS) and IP Multimedia Subsystem (IMS) services; Stage 3**

This specification provides the technical realization for the combination of Circuit Switched calls and IM sessions when using them simultaneously between the same two users. It also describes the use of CS and IM services in combination, using the existing procedures that have been defined for CS and IMS. It includes the necessary function as adding an IM session to an ongoing CS call, adding a CS call to an ongoing IM session, supplementary services as they relate to CSICS and supporting capability exchange.

| SDO (2) | Document No. | Version | Status | Issued date | Location (1) |
|-------------------|----------------------------|---------|-----------|-------------|---|
| Release 7 | | | | | |
| ATIS | ATIS.3GPP.24.279V770-2008 | 7.7.0 | Approved | Oct 08 | https://www.atis.org/docstore/default.aspx |
| CCSA | CCSA-TSD-DS-24.279 | 7.7.0 | Published | Jan 08 | http://www.ccsa.org.cn/english/tc/files.php?docpath=/ITU-R/M.1457/M.1457-12/DS |
| ETSI | ETSI TS 124 279 | 7.7.0 | Published | Jan 08 | http://www.etsi.org/deliver/etsi_ts/124200_124299/124279/07.07.00_60/ |
| TTA | TTAT.3G-24.279(R7-7.7.0) | 7.7.0 | Approved | Oct 08 | http://www.tta.or.kr/data/ttasDown.jsp?where=14688&pk_num=TTAT.3G-24.279(R7-7.7.0) |
| TTC | TS-3GA-24.279(Rel7)v7.7.0 | 7.7.0 | Approved | Feb 09 | http://www.ttc.or.jp/jp/document_list/free/3gpps2009/TS/TS-3GA-24.279(Rel7)v7.7.0.pdf |
| Release 8 | | | | | |
| ATIS | ATIS.3GPP.24.279V820-2010 | 8.2.0 | Approved | Jul 10 | https://www.atis.org/docstore/default.aspx |
| CCSA | CCSA-TSD-DS-24.279 | 8.2.0 | Published | Mar 10 | http://www.ccsa.org.cn/english/tc/files.php?docpath=/ITU-R/M.1457/M.1457-12/DS |
| ETSI | ETSI TS 124 279 | 8.2.0 | Published | Jan 10 | http://www.etsi.org/deliver/etsi_ts/124200_124299/124279/08.02.00_60/ |
| TTA | TTAT.3G-24.279(R8-8.1.0) | 8.1.0 | Approved | Jul 09 | http://www.tta.or.kr/data/ttasDown.jsp?where=14688&pk_num=TTAT.3G-24.279(R8-8.1.0) |
| TTC | TS-3GA-24.279(Rel8)v8.2.0 | 8.2.0 | Approved | Apr 10 | http://www.ttc.or.jp/jp/document_list/free/3gpps2010/TS/TS-3GA-24.279(Rel8)v8.2.0.pdf |
| Release 9 | | | | | |
| ATIS | ATIS.3GPP.24.279V900-2010 | 9.0.0 | Approved | Jul 10 | https://www.atis.org/docstore/default.aspx |
| CCSA | CCSA-TSD-DS-24.279 | 9.0.0 | Published | Mar 10 | http://www.ccsa.org.cn/english/tc/files.php?docpath=/ITU-R/M.1457/M.1457-12/DS |
| ETSI | ETSI TS 124 279 | 9.0.0 | Published | Jan 10 | http://www.etsi.org/deliver/etsi_ts/124200_124299/124279/09.00.00_60/ |
| TTA | TTAT.3G-24.279(R9-9.0.0) | 9.0.0 | Approved | Jul 10 | http://www.tta.or.kr/data/ttasDown.jsp?where=14688&pk_num=TTAT.3G-24.279(R9-9.0.0) |
| TTC | TS-3GA-24.279(Rel9)v9.0.0 | 9.0.0 | Approved | Jul 10 | http://www.ttc.or.jp/jp/document_list/free/3gpps2010/TS/TS-3GA-24.279(Rel9)v9.0.0.pdf |
| Release 10 | | | | | |
| ATIS | ATIS.3GPP.24.279V1000-2012 | 10.0.0 | Approved | Jul 12 | https://www.atis.org/docstore/default.aspx |
| CCSA | CCSA-TSD-DS-24.279 | 10.0.0 | Published | Jun 12 | http://www.ccsa.org.cn/english/tc/files.php?docpath=/ITU-R/M.1457/M.1457-12/DS |
| ETSI | ETSI TS 124 279 | 10.0.0 | Published | Mar 11 | http://www.etsi.org/deliver/etsi_ts/124200_124299/124279/10.00.00_60/ |
| TTA | TTAT.3G-24.279(R10-10.0.0) | 10.0.0 | Approved | Apr 12 | http://www.tta.or.kr/data/ttasDown.jsp?where=14688&pk_num=TTAT.3G-24.279(R10-10.0.0) |

| | | | | | |
|-------------------|-----------------------------|--------|-----------|--------|---|
| TTC | TS-3GA-24.279(Rel10)v10.0.0 | 10.0.0 | Approved | Jun 11 | http://www.ttc.or.jp/j/document_list/free/3gpps2011/TS/TS-3GA-24.279(Rel10)v10.0.0.pdf |
| Release 11 | | | | | |
| ATIS | ATIS.3GPP.24.279V1100-2014 | 11.0.0 | Approved | May 14 | https://www.atis.org/docstore/default.aspx |
| CCSA | CCSA-TSD-DS-24.279 | 11.1.0 | Published | Jun 14 | http://www.ccsa.org.cn/english/tc/files.php?docpath=/ITU-R/M.1457/M.1457-12/DS |
| ETSI | ETSI TS 124 279 | 11.0.0 | Published | Oct 12 | http://www.etsi.org/deliver/etsi_ts/124200_124299/124279/11.00.00_60/ |
| TTA | TTAT.3G-24.279(R11-11.0.0) | 11.0.0 | published | Aug 13 | http://www.tta.or.kr/data/ttasDown.jsp?where=14688&pk_num=TTAT.3G-24.279(R11-11.0.0) |
| TTC | TS-3GA-24.279(Rel11)v11.0.0 | 11.0.0 | Approved | Jun 13 | http://www.ttc.or.jp/j/document_list/free/3gpps2013/TS/TS-3GA-24.279(Rel11)v11.0.0.pdf |

5.1.2.12.85 TS 24.285

Allowed Closed Subscriber Group (CSG) list; Management Object (MO)

This document specifies an Allowed Closed Subscriber Group (CSG) List Management Object (MO). The Allowed CSG List MO is compatible with the OMA Device Management (DM) protocol specifications, version 1.2 and upwards, and is defined using the OMA DM Device Description Framework (DDF) as described in the Enabler Release Definition OMA-ERELD-DM-V1_2. The Allowed CSG List MO consists of relevant parameters for that can be used by the UE to select the appropriate CSG cell based on its subscription. The Allowed CSG List MO defines the relevant parameters related to the Allowed CSG List and to the Operator CSG List. The usage of the Allowed CSG List for in the idle mode process and the mobility management procedure is defined in 3GPP TS 23.122, 3GPP TS 24.008 and 3GPP TS 24.301.

| SDO (2) | Document No. | Version | Status | Issued date | Location (1) |
|-------------------|-----------------------------|---------|-----------|-------------|---|
| Release 8 | | | | | |
| CCSA | CCSA-TSD-DS-24.285 | 8.5.0 | Published | Jun 12 | http://www.ccsa.org.cn/english/tc/files.php?docpath=/ITU-R/M.1457/M.1457-12/DS |
| ETSI | ETSI TS 124 285 | 8.5.0 | Published | Oct 10 | http://www.etsi.org/deliver/etsi_ts/124200_124299/124285/08.05.00_60/ |
| TTC | TS-3GA-24.285(Rel8)v8.5.0 | 8.5.0 | Approved | Dec 10 | http://www.ttc.or.jp/j/document_list/free/3gpps2010/TS/TS-3GA-24.285(Rel8)v8.5.0.pdf |
| Release 9 | | | | | |
| ATIS | ATIS.3GPP.24.285V940-2012 | 9.4.0 | Approved | Jul 12 | https://www.atis.org/docstore/default.aspx |
| CCSA | CCSA-TSD-DS-24.285 | 9.4.0 | Published | Jun 12 | http://www.ccsa.org.cn/english/tc/files.php?docpath=/ITU-R/M.1457/M.1457-12/DS |
| ETSI | ETSI TS 124 285 | 9.4.0 | Published | Jan 11 | http://www.etsi.org/deliver/etsi_ts/124200_124299/124285/09.04.00_60/ |
| TTA | TTAT.3G-24.285(R9-9.1.0) | 9.1.0 | Approved | Jul 10 | http://www.tta.or.kr/data/ttasDown.jsp?where=14688&pk_num=TTAT.3G-24.285(R9-9.1.0) |
| TTC | TS-3GA-24.285(Rel9)v9.4.0 | 9.4.0 | Approved | Apr 11 | http://www.ttc.or.jp/j/document_list/free/3gpps2011/TS/TS-3GA-24.285(Rel9)v9.4.0.pdf |
| Release 10 | | | | | |
| ATIS | ATIS.3GPP.24.285V1020-2012 | 10.2.0 | Approved | Jul 12 | https://www.atis.org/docstore/default.aspx |
| CCSA | CCSA-TSD-DS-24.285 | 10.2.0 | Published | Jun 12 | http://www.ccsa.org.cn/english/tc/files.php?docpath=/ITU-R/M.1457/M.1457-12/DS |
| ETSI | ETSI TS 124 285 | 10.2.0 | Published | May 11 | http://www.etsi.org/deliver/etsi_ts/124200_124299/124285/10.02.00_60/ |
| TTA | TTAT.3G-24.285(R10-10.2.0) | 10.2.0 | Approved | Apr 12 | http://www.tta.or.kr/data/ttasDown.jsp?where=14688&pk_num=TTAT.3G-24.285(R10-10.2.0) |
| TTC | TS-3GA-24.285(Rel10)v10.2.0 | 10.2.0 | Approved | Jun 11 | http://www.ttc.or.jp/j/document_list/free/3gpps2011/TS/TS-3GA-24.285(Rel10)v10.2.0.pdf |
| Release 11 | | | | | |
| ATIS | ATIS.3GPP.24.285V1100-2014 | 11.0.0 | Approved | May 14 | https://www.atis.org/docstore/default.aspx |
| CCSA | CCSA-TSD-DS-24.285 | 11.0.0 | Published | Jun 14 | http://www.ccsa.org.cn/english/tc/files.php?docpath=/ITU-R/M.1457/M.1457-12/DS |
| ETSI | ETSI TS 124 285 | 11.0.0 | Published | Oct 12 | http://www.etsi.org/deliver/etsi_ts/124200_124299/124285/11.00.00_60/ |
| TTA | TTAT.3G-24.285(R11-11.0.0) | 11.0.0 | published | Aug 13 | http://www.tta.or.kr/data/ttasDown.jsp?where=14688&pk_num=TTAT.3G-24.285(R11-11.0.0) |
| TTC | TS-3GA-24.285(Rel11)v11.0.0 | 11.0.0 | Approved | Jun 13 | http://www.ttc.or.jp/j/document_list/free/3gpps2013/TS/TS-3GA-24.285(Rel11)v11.0.0.pdf |

5.1.2.12.86 TS 24.286

IP Multimedia (IM) Core Network (CN) subsystem Centralized Services (ICS); Management Object (MO)

This document defines the IMS Centralised Services Management Object (MO). The management object is compatible with OMA Device Management protocol specifications, version 1.2 and upwards, and is defined using the OMA DM Device Description Framework as described in the Enabler Release Definition OMA-ERELED_DM-V1_2. The IMS Centralised Services Management Object consists of relevant parameters that can be managed for ICS.

| SDO (2) | Document No. | Version | Status | Issued date | Location (1) |
|-------------------|-----------------------------|---------|-----------|-------------|---|
| Release 8 | | | | | |
| CCSA | CCSA-TSD-DS-24.286 | 8.1.0 | Published | Jun 12 | http://www.ccsa.org.cn/english/tc/files.php?docpath=/ITU-R/M.1457/M.1457-12/DS |
| ETSI | ETSI TS 124 286 | 8.1.0 | Published | Apr 11 | http://www.etsi.org/deliver/etsi_ts/124200_124299/124286/08.01.00_60/ |
| TTC | TS-3GA-24.286(Rel8)v8.1.0 | 8.1.0 | Approved | Jun 11 | http://www.ttc.or.jp/j/document_list/free/3gpps2011/TS/TS-3GA-24.286(Rel8)v8.1.0.pdf |
| Release 9 | | | | | |
| ATIS | ATIS.3GPP.24.286V920-2012 | 9.2.0 | Approved | Jul 12 | https://www.atis.org/docstore/default.aspx |
| CCSA | CCSA-TSD-DS-24.286 | 9.2.0 | Published | Jun 12 | http://www.ccsa.org.cn/english/tc/files.php?docpath=/ITU-R/M.1457/M.1457-12/DS |
| ETSI | ETSI TS 124 286 | 9.2.0 | Published | Apr 11 | http://www.etsi.org/deliver/etsi_ts/124200_124299/124286/09.02.00_60/ |
| TTA | TTAT.3G-24.286(R9-9.1.0) | 9.1.0 | Approved | Jul 10 | http://www.tta.or.kr/data/ttasDown.jsp?where=14688&pk_num=TTAT.3G-24.286(R9-9.1.0) |
| TTC | TS-3GA-24.286(Rel9)v9.2.0 | 9.2.0 | Approved | Jun 11 | http://www.ttc.or.jp/j/document_list/free/3gpps2011/TS/TS-3GA-24.286(Rel9)v9.2.0.pdf |
| Release 10 | | | | | |
| ATIS | ATIS.3GPP.24.286V1000-2012 | 10.0.0 | Approved | Jul 12 | https://www.atis.org/docstore/default.aspx |
| CCSA | CCSA-TSD-DS-24.286 | 10.0.0 | Published | Jun 12 | http://www.ccsa.org.cn/english/tc/files.php?docpath=/ITU-R/M.1457/M.1457-12/DS |
| ETSI | ETSI TS 124 286 | 10.0.0 | Published | Apr 11 | http://www.etsi.org/deliver/etsi_ts/124200_124299/124286/10.00.00_60/ |
| TTA | TTAT.3G-24.286(R10-10.0.0) | 10.0.0 | Approved | Apr 12 | http://www.tta.or.kr/data/ttasDown.jsp?where=14688&pk_num=TTAT.3G-24.286(R10-10.0.0) |
| TTC | TS-3GA-24.286(Rel10)v10.0.0 | 10.0.0 | Approved | Jun 11 | http://www.ttc.or.jp/j/document_list/free/3gpps2011/TS/TS-3GA-24.286(Rel10)v10.0.0.pdf |
| Release 11 | | | | | |
| ATIS | ATIS.3GPP.24.286V1100-2014 | 11.0.0 | Approved | May 14 | https://www.atis.org/docstore/default.aspx |
| CCSA | CCSA-TSD-DS-24.286 | 11.0.0 | Published | Jun 14 | http://www.ccsa.org.cn/english/tc/files.php?docpath=/ITU-R/M.1457/M.1457-12/DS |
| ETSI | ETSI TS 124 286 | 11.0.0 | Published | Oct 12 | http://www.etsi.org/deliver/etsi_ts/124200_124299/124286/11.00.00_60/ |
| TTA | TTAT.3G-24.286(R11-11.0.0) | 11.0.0 | published | Aug 13 | http://www.tta.or.kr/data/ttasDown.jsp?where=14688&pk_num=TTAT.3G-24.286(R11-11.0.0) |
| TTC | TS-3GA-24.286(Rel11)v11.0.0 | 11.0.0 | Approved | Jun 13 | http://www.ttc.or.jp/j/document_list/free/3gpps2013/TS/TS-3GA-24.286(Rel11)v11.0.0.pdf |

5.1.2.12.87 TS 24.292

IP Multimedia (IM) Core Network (CN) subsystem Centralized Services (ICS); Stage 3

IP Multimedia (IM) Core Network (CN) subsystem centralized services (ICS) allow for the delivery of consistent IMS services to the user regardless of the attached access type (e.g. CS domain access or IP-CAN). This document provides the protocol details for the realization of ICS based on the Session Initiation protocol (SIP), the Session Description Protocol (SDP), the II protocol, and the protocols of the 3GPP Circuit-Switched (CS) domain (e.g. CAP, MAP, ISUP, BICC and the NAS call control protocol for the CS access).

| SDO (2) | Document No. | Version | Status | Issued date | Location (1) |
|-------------------|------------------------------|---------|-----------|-------------|---|
| Release 8 | | | | | |
| CCSA | CCSA-TSD-DS-24.292 | 8.12.0 | Published | Jun 12 | http://www.ccsa.org.cn/english/tc/files.php?docpath=/ITU-R/M.1457/M.1457-12/DS |
| ETSI | ETSI TS 124 292 | 8.16.0 | Published | Apr 13 | http://www.etsi.org/deliver/etsi_ts/124200_124299/124292/08.16.00_60/ |
| TTA | TTAT.3G-24.292(R8-8.1.0) | 8.1.0 | Approved | Jul 09 | http://www.tta.or.kr/data/ttasDown.jsp?where=14688&pk_num=TTAT.3G-24.292(R8-8.1.0) |
| TTA | TTAT.3G-24.292(R8-8.1.0) | 8.1.0 | Approved | Jul 09 | http://www.tta.or.kr/data/ttasDown.jsp?where=14688&pk_num=TTAT.3G-24.292(R8-8.1.0) |
| TTC | TS-3GA-24.292(Rel8)v8.16.0 | 8.16.0 | Approved | Jun 13 | http://www.ttc.or.jp/jp/document_list/free/3gpps2013/TS/TS-3GA-24.292(Rel8)v8.16.0.pdf |
| Release 9 | | | | | |
| ATIS | ATIS.3GPP.24.292V9140-2014 | 9.14.0 | Approved | May 14 | https://www.atis.org/docstore/default.aspx |
| CCSA | CCSA-TSD-DS-24.292 | 9.10.0 | Published | Jun 12 | http://www.ccsa.org.cn/english/tc/files.php?docpath=/ITU-R/M.1457/M.1457-12/DS |
| ETSI | ETSI TS 124 292 | 9.14.0 | Published | Apr 13 | http://www.etsi.org/deliver/etsi_ts/124200_124299/124292/09.14.00_60/ |
| TTA | TTAT.3G-24.292(R9-9.3.0) | 9.3.0 | Approved | Jul 10 | http://www.tta.or.kr/data/ttasDown.jsp?where=14688&pk_num=TTAT.3G-24.292(R9-9.3.0) |
| TTA | TTAT.3G-24.292(R9-9.3.0) | 9.3.0 | Approved | Jul 10 | http://www.tta.or.kr/data/ttasDown.jsp?where=14688&pk_num=TTAT.3G-24.292(R9-9.3.0) |
| TTA | TTAT.3G-24.292(R9-9.3.0) | 9.3.0 | Approved | Jul 10 | http://www.tta.or.kr/data/ttasDown.jsp?where=14688&pk_num=TTAT.3G-24.292(R9-9.3.0) |
| TTA | TTAT.3G-24.292(R9-9.3.0) | 9.3.0 | Approved | Jul 10 | http://www.tta.or.kr/data/ttasDown.jsp?where=14688&pk_num=TTAT.3G-24.292(R9-9.3.0) |
| TTC | TS-3GA-24.292(Rel9)v9.14.0 | 9.14.0 | Approved | Jun 13 | http://www.ttc.or.jp/jp/document_list/free/3gpps2013/TS/TS-3GA-24.292(Rel9)v9.14.0.pdf |
| Release 10 | | | | | |
| ATIS | ATIS.3GPP.24.292V10100- | 10.10.0 | Approved | May 14 | https://www.atis.org/docstore/default.aspx |
| CCSA | CCSA-TSD-DS-24.292 | 10.6.0 | Published | Jun 12 | http://www.ccsa.org.cn/english/tc/files.php?docpath=/ITU-R/M.1457/M.1457-12/DS |
| ETSI | ETSI TS 124 292 | 10.10.0 | Published | Apr 13 | http://www.etsi.org/deliver/etsi_ts/124200_124299/124292/10.10.00_60/ |
| TTA | TTAT.3G-24.292(R10-10.6.0) | 10.6.0 | Approved | Aug 12 | http://www.tta.or.kr/data/ttasDown.jsp?where=14688&pk_num=TTAT.3G-24.292(R10-10.6.0) |
| TTC | TS-3GA-24.292(Rel10)v10.10.0 | 10.10.0 | Approved | Jun 13 | http://www.ttc.or.jp/jp/document_list/free/3gpps2013/TS/TS-3GA-24.292(Rel10)v10.10.0.pdf |
| Release 11 | | | | | |
| ATIS | ATIS.3GPP.24.292V1140-2014 | 11.4.0 | Approved | May 14 | https://www.atis.org/docstore/default.aspx |
| CCSA | CCSA-TSD-DS-24.292 | 11.8.0 | Published | Jun 14 | http://www.ccsa.org.cn/english/tc/files.php?docpath=/ITU-R/M.1457/M.1457-12/DS |
| ETSI | ETSI TS 124 292 | 11.4.0 | Published | Apr 13 | http://www.etsi.org/deliver/etsi_ts/124200_124299/124292/11.04.00_60/ |
| TTA | TTAT.3G-24.292(R11-11.4.0) | 11.4.0 | published | Aug 13 | http://www.tta.or.kr/data/ttasDown.jsp?where=14688&pk_num=TTAT.3G-24.292(R11-11.4.0) |
| TTC | TS-3GA-24.292(Rel11)v11.4.0 | 11.4.0 | Approved | Jun 13 | http://www.ttc.or.jp/jp/document_list/free/3gpps2013/TS/TS-3GA-24.292(Rel11)v11.4.0.pdf |

5.1.2.12.88 TS 24.294

IP Multimedia Subsystem (IMS) Centralized Services (ICS) protocol via I1 interface

This document describes the I1 interface between IMS Centralized Services (ICS) UE and Service Centralization and Continuity (SCC) Application Server (AS). This specification defines a new application layer protocol over I1 interface, specifies the interaction between the ICS UE and the SCC AS including session control procedures and supplementary services control procedures. The protocol is intended to be independent of the transport protocol used so it can be applied to a number of technologies that need different transport protocols. The overall ICS architecture is specified in 3GPP TS 23.292

| SDO (2) | Document No. | Version | Status | Issued date | Location (1) |
|------------------|---------------------------|---------|-----------|-------------|---|
| Release 9 | | | | | |
| ATIS | ATIS.3GPP.24.294V960-2012 | 9.6.0 | Approved | Jul 12 | https://www.atis.org/docstore/default.aspx |
| CCSA | CCSA-TSD-DS-24.294 | 9.6.0 | Published | Jun 12 | http://www.ccsa.org.cn/english/tc/files.php?docpath=/ITU-R/M.1457/M.1457-12/DS |
| ETSI | ETSI TS 124 294 | 9.6.0 | Published | Oct 11 | http://www.etsi.org/deliver/etsi_ts/124200_124299/124294/09.06.00_60/ |

| | | | | | |
|-------------------|-----------------------------|--------|-----------|--------|---|
| TTA | TTAT.3G-24.294(R9-9.1.0) | 9.1.0 | Approved | Jul 10 | http://www.tta.or.kr/data/ttasDown.jsp?where=14688&pk_num=TTAT.3G-24.294(R9-9.1.0) |
| TTC | TS-3GA-24.294(Rel9)v9.6.0 | 9.6.0 | Approved | Dec 11 | http://www.ttc.or.jp/j/document_list/free/3gpps2011/TS/TS-3GA-24.294(Rel9)v9.6.0.pdf |
| Release 10 | | | | | |
| ATIS | ATIS.3GPP.24.294V1010-2012 | 10.1.0 | Approved | Jul 12 | https://www.atis.org/docstore/default.aspx |
| CCSA | CCSA-TSD-DS-24.294 | 10.1.0 | Published | Jun 12 | http://www.ccsa.org.cn/english/tc/files.php?docpath=/ITU-R/M.1457/M.1457-12/DS |
| ETSI | ETSI TS 124 294 | 10.1.0 | Published | Oct 11 | http://www.etsi.org/deliver/etsi_ts/124200_124299/124294/10.01.00_60/ |
| TTA | TTAT.3G-24.294(R10-10.1.0) | 10.1.0 | Approved | Apr 12 | http://www.tta.or.kr/data/ttasDown.jsp?where=14688&pk_num=TTAT.3G-24.294(R10-10.1.0) |
| TTC | TS-3GA-24.294(Rel10)v10.1.0 | 10.1.0 | Approved | Dec 11 | http://www.ttc.or.jp/j/document_list/free/3gpps2011/TS/TS-3GA-24.294(Rel10)v10.1.0.pdf |
| Release 11 | | | | | |
| ATIS | ATIS.3GPP.24.294V1100-2014 | 11.0.0 | Approved | May 14 | https://www.atis.org/docstore/default.aspx |
| CCSA | CCSA-TSD-DS-24.294 | 11.0.0 | Published | Jun 14 | http://www.ccsa.org.cn/english/tc/files.php?docpath=/ITU-R/M.1457/M.1457-12/DS |
| ETSI | ETSI TS 124 294 | 11.0.0 | Published | Oct 12 | http://www.etsi.org/deliver/etsi_ts/124200_124299/124294/11.00.00_60/ |
| TTA | TTAT.3G-24.294(R11-11.0.0) | 11.0.0 | published | Aug 13 | http://www.tta.or.kr/data/ttasDown.jsp?where=14688&pk_num=TTAT.3G-24.294(R11-11.0.0) |
| TTC | TS-3GA-24.294(Rel11)v11.0.0 | 11.0.0 | Approved | Jun 13 | http://www.ttc.or.jp/j/document_list/free/3gpps2013/TS/TS-3GA-24.294(Rel11)v11.0.0.pdf |

5.1.2.12.89 TS 24.301

Non-Access-Stratum (NAS) protocol for Evolved Packet System (EPS); Stage 3

This document specifies the procedures used by the protocols for mobility management and session management between User Equipment (UE) and Mobility Management Entity (MME) in the Evolved Packet System (EPS). These protocols belong to the non-access stratum (NAS).

| SDO (2) | Document No. | Version | Status | Issued date | Location (1) |
|-------------------|----------------------------|---------|-----------|-------------|---|
| Release 8 | | | | | |
| ATIS | ATIS.3GPP.24.301V8100-2012 | 8.10.0 | Approved | Jul 12 | https://www.atis.org/docstore/default.aspx |
| CCSA | CCSA-TSD-DS-24.301 | 8.10.0 | Published | Jun 12 | http://www.ccsa.org.cn/english/tc/files.php?docpath=/ITU-R/M.1457/M.1457-12/DS |
| ETSI | ETSI TS 124 301 | 8.10.0 | Published | Jun 11 | http://www.etsi.org/deliver/etsi_ts/124300_124399/124301/08.10.00_60/ |
| TTA | TTAT.3G-24.301(R8-8.1.0) | 8.1.0 | Approved | Jul 09 | http://www.tta.or.kr/data/ttasDown.jsp?where=14688&pk_num=TTAT.3G-24.301(R8-8.1.0) |
| TTA | TTAT.3G-24.301(R8-8.1.0) | 8.1.0 | Approved | Jul 09 | http://www.tta.or.kr/data/ttasDown.jsp?where=14688&pk_num=TTAT.3G-24.301(R8-8.1.0) |
| TTA | TTAT.3G-24.301(R8-8.1.0) | 8.1.0 | Approved | Jul 09 | http://www.tta.or.kr/data/ttasDown.jsp?where=14688&pk_num=TTAT.3G-24.301(R8-8.1.0) |
| TTC | TS-3GA-24.301(Rel8)v8.10.0 | 8.10.0 | Approved | Aug 11 | http://www.ttc.or.jp/j/document_list/free/3gpps2011/TS/TS-3GA-24.301(Rel8)v8.10.0.pdf |
| Release 9 | | | | | |
| ATIS | ATIS.3GPP.24.301V9110-2014 | 9.11.0 | Approved | May 14 | https://www.atis.org/docstore/default.aspx |
| CCSA | CCSA-TSD-DS-24.301 | 9.8.0 | Published | Jun 12 | http://www.ccsa.org.cn/english/tc/files.php?docpath=/ITU-R/M.1457/M.1457-12/DS |
| ETSI | ETSI TS 124 301 | 9.11.0 | Published | Apr 13 | http://www.etsi.org/deliver/etsi_ts/124300_124399/124301/09.11.00_60/ |
| TTA | TTAT.3G-24.301(R9-9.2.0) | 9.2.0 | Approved | Jul 10 | http://www.tta.or.kr/data/ttasDown.jsp?where=14688&pk_num=TTAT.3G-24.301(R9-9.2.0) |
| TTA | TTAT.3G-24.301(R9-9.2.0) | 9.2.0 | Approved | Jul 10 | http://www.tta.or.kr/data/ttasDown.jsp?where=14688&pk_num=TTAT.3G-24.301(R9-9.2.0) |
| TTA | TTAT.3G-24.301(R9-9.2.0) | 9.2.0 | Approved | Jul 10 | http://www.tta.or.kr/data/ttasDown.jsp?where=14688&pk_num=TTAT.3G-24.301(R9-9.2.0) |
| TTA | TTAT.3G-24.301(R9-9.2.0) | 9.2.0 | Approved | Jul 10 | http://www.tta.or.kr/data/ttasDown.jsp?where=14688&pk_num=TTAT.3G-24.301(R9-9.2.0) |
| TTA | TTAT.3G-24.301(R9-9.1.0) | 9.1.0 | Approved | Jul 10 | http://www.tta.or.kr/data/ttasDown.jsp?where=14688&pk_num=TTAT.3G-24.301(R9-9.1.0) |
| TTC | TS-3GA-24.301(Rel9)v9.11.0 | 9.11.0 | Approved | Jun 13 | http://www.ttc.or.jp/j/document_list/free/3gpps2013/TS/TS-3GA-24.301(Rel9)v9.11.0.pdf |
| Release 10 | | | | | |
| ATIS | ATIS.3GPP.24.301V10100- | 10.10.0 | Approved | May 14 | https://www.atis.org/docstore/default.aspx |

| | | | | | |
|-------------------|------------------------------|---------|-----------|--------|---|
| CCSA | CCSA-TSD-DS-24.301 | 10.5.0 | Published | Jun 12 | http://www.ccsa.org.cn/english/tc/files.php?docpath=/ITU-R/M.1457/M.1457-12/DS |
| ETSI | ETSI TS 124 301 | 10.10.0 | Published | Apr 13 | http://www.etsi.org/deliver/etsi_ts/124300_124399/124301/10.10.00_60/ |
| TTA | TTAT.3G-24.301(R10-10.6.1) | 10.6.1 | Approved | Aug 12 | http://www.tta.or.kr/data/ttasDown.jsp?where=14688&pk_num=TTAT.3G-24.301(R10-10.6.1) |
| TTC | TS-3GA-24.301(Rel10)v10.10.0 | 10.10.0 | Approved | Jun 13 | http://www.ttc.or.jp/jp/document_list/free/3gpps2013/TS/TS-3GA-24.301(Rel10)v10.10.0.pdf |
| Release 11 | | | | | |
| ATIS | ATIS.3GPP.24.301V1160-2014 | 11.6.0 | Approved | May 14 | https://www.atis.org/docstore/default.aspx |
| CCSA | CCSA-TSD-DS-24.301 | 11.12.0 | Published | Jun 14 | http://www.ccsa.org.cn/english/tc/files.php?docpath=/ITU-R/M.1457/M.1457-12/DS |
| ETSI | ETSI TS 124 301 | 11.6.0 | Published | Apr 13 | http://www.etsi.org/deliver/etsi_ts/124300_124399/124301/11.06.00_60/ |
| TTA | TTAT.3G-24.301(R11-11.6.0) | 11.6.0 | published | Aug 13 | http://www.tta.or.kr/data/ttasDown.jsp?where=14688&pk_num=TTAT.3G-24.301(R11-11.6.0) |
| TTC | TS-3GA-24.301(Rel11)v11.6.0 | 11.6.0 | Approved | Jun 13 | http://www.ttc.or.jp/jp/document_list/free/3gpps2013/TS/TS-3GA-24.301(Rel11)v11.6.0.pdf |

5.1.2.12.90 TS 24.302

Access to the 3GPP Evolved Packet Core (EPC) via non-3GPP access networks; Stage 3

This document specifies the discovery and network selection procedures for access to 3GPP Evolved Packet Core (EPC) via non-3GPP access networks and includes Authentication and Access Authorization using Authentication, Authorization and Accounting (AAA) procedures used for the interworking of the 3GPP EPC and the non-3GPP access networks. The document also specifies the Tunnel management procedures used for establishing an end-to-end tunnel from the UE to the ePDG to the point of obtaining IP connectivity and includes the selection of the IP mobility mode. The non-3GPP access networks considered in this document are cdma2000® HRPD and Worldwide Interoperability for Microwave Access (WiMAX), and any access technologies covered in 3GPP TS 23.402. These non-3GPP access networks can be trusted or untrusted access networks.

| SDO (2) | Document No. | Version | Status | Issued date | Location (1) |
|-------------------|-----------------------------|---------|-----------|-------------|---|
| Release 8 | | | | | |
| ATIS | ATIS.3GPP.24.302V8100-2012 | 8.10.0 | Approved | Jul 12 | https://www.atis.org/docstore/default.aspx |
| CCSA | CCSA-TSD-DS-24.302 | 8.10.0 | Published | Jun 12 | http://www.ccsa.org.cn/english/tc/files.php?docpath=/ITU-R/M.1457/M.1457-12/DS |
| ETSI | ETSI TS 124 302 | 8.10.0 | Published | Oct 11 | http://www.etsi.org/deliver/etsi_ts/124300_124399/124302/08.10.00_60/ |
| TTA | TTAT.3G-24.302(R8-8.1.0) | 8.1.0 | Approved | Jul 09 | http://www.tta.or.kr/data/ttasDown.jsp?where=14688&pk_num=TTAT.3G-24.302(R8-8.1.0) |
| TTC | TS-3GA-24.302(Rel8)v8.10.0 | 8.10.0 | Approved | Dec 11 | http://www.ttc.or.jp/j/document_list/free/3gpps2011/TS/TS-3GA-24.302(Rel8)v8.10.0.pdf |
| Release 9 | | | | | |
| ATIS | ATIS.3GPP.24.302V970-2012 | 9.7.0 | Approved | Jul 12 | https://www.atis.org/docstore/default.aspx |
| CCSA | CCSA-TSD-DS-24.302 | 9.7.0 | Published | Jun 12 | http://www.ccsa.org.cn/english/tc/files.php?docpath=/ITU-R/M.1457/M.1457-12/DS |
| ETSI | ETSI TS 124 302 | 9.7.0 | Published | Oct 11 | http://www.etsi.org/deliver/etsi_ts/124300_124399/124302/09.07.00_60/ |
| TTA | TTAT.3G-24.302(R9-9.2.0) | 9.2.0 | Approved | Jul 10 | http://www.tta.or.kr/data/ttasDown.jsp?where=14688&pk_num=TTAT.3G-24.302(R9-9.2.0) |
| TTC | TS-3GA-24.302(Rel9)v9.7.0 | 9.7.0 | Approved | Dec 11 | http://www.ttc.or.jp/j/document_list/free/3gpps2011/TS/TS-3GA-24.302(Rel9)v9.7.0.pdf |
| Release 10 | | | | | |
| ATIS | ATIS.3GPP.24.302V1070-2014 | 10.7.0 | Approved | May 14 | https://www.atis.org/docstore/default.aspx |
| CCSA | CCSA-TSD-DS-24.302 | 10.6.0 | Published | Jun 12 | http://www.ccsa.org.cn/english/tc/files.php?docpath=/ITU-R/M.1457/M.1457-12/DS |
| ETSI | ETSI TS 124 302 | 10.7.0 | Published | Mar 12 | http://www.etsi.org/deliver/etsi_ts/124300_124399/124302/10.07.00_60/ |
| TTA | TTAT.3G-24.302(R10-10.7.0) | 10.7.0 | Approved | Aug 12 | http://www.tta.or.kr/data/ttasDown.jsp?where=14688&pk_num=TTAT.3G-24.302(R10-10.7.0) |
| TTC | TS-3GA-24.302(Rel10)v10.7.0 | 10.7.0 | Approved | Jun 12 | http://www.ttc.or.jp/j/document_list/free/3gpps2012/TS/TS-3GA-24.302(Rel10)v10.7.0.pdf |
| Release 11 | | | | | |
| ATIS | ATIS.3GPP.24.302V1160-2014 | 11.6.0 | Approved | May 14 | https://www.atis.org/docstore/default.aspx |

| | | | | | |
|------|-----------------------------|--------|-----------|--------|---|
| CCSA | CCSA-TSD-DS-24.302 | 11.7.0 | Published | Jun 14 | http://www.ccsa.org.cn/english/tc/files.php?docpath=/ITU-R/M.1457/M.1457-12/DS |
| ETSI | ETSI TS 124 302 | 11.6.0 | Published | Apr 13 | http://www.etsi.org/deliver/etsi_ts/124300_124399/124302/11.06.00_60/ |
| TTA | TTAT.3G-24.302(R11-11.6.0) | 11.6.0 | published | Aug 13 | http://www.tta.or.kr/data/ttasDown.jsp?where=14688&pk_num=TTAT.3G-24.302(R11-11.6.0) |
| TTC | TS-3GA-24.302(Rel11)v11.6.0 | 11.6.0 | Approved | Jun 13 | http://www.ttc.or.jp/jp/document_list/free/3gpps2013/TS/TS-3GA-24.302(Rel11)v11.6.0.pdf |

5.1.2.12.91 TS 24.303

Mobility management based on Dual-Stack Mobile IPv6; Stage 3

This document specifies the signalling procedures for accessing the 3GPP Evolved Packet Core network and handling the mobility between 3GPP and non-3GPP accesses via the S2c reference point defined in 3GPP TS 23.402. The document is applicable to the User Equipment (UE) and the network node implementing the Home Agent functionality. In addition the document specifies the procedures used for the DSMIPv6 Home Agent discovery, for bootstrapping the DSMIPv6 security association between the UE and the Home Agent and for managing the DSMIPv6 tunnel. The specification of these procedures is compliant to IETF RFCs. DSMIPv6 procedures can be used independently of the underlying access technology.

| SDO (2) | Document No. | Version | Status | Issued date | Location (1) |
|-------------------|-----------------------------|---------|-----------|-------------|---|
| Release 8 | | | | | |
| ATIS | ATIS.3GPP.24.303V890-2014 | 8.9.0 | Approved | May 14 | https://www.atis.org/docstore/default.aspx |
| CCSA | CCSA-TSD-DS-24.303 | 8.8.0 | Published | Jun 12 | http://www.ccsa.org.cn/english/tc/files.php?docpath=/ITU-R/M.1457/M.1457-12/DS |
| ETSI | ETSI TS 124 303 | 8.9.0 | Published | Jul 12 | http://www.etsi.org/deliver/etsi_ts/124300_124399/124303/08.09.00_60/ |
| TTC | TS-3GA-24.303(Rel8)v8.9.0 | 8.9.0 | Approved | Sep 12 | http://www.ttc.or.jp/imt2000/TS/TS24303rel8v880.pdf |
| Release 9 | | | | | |
| ATIS | ATIS.3GPP.24.303V950-2014 | 9.5.0 | Approved | May 14 | https://www.atis.org/docstore/default.aspx |
| CCSA | CCSA-TSD-DS-24.303 | 9.4.0 | Published | Jun 12 | http://www.ccsa.org.cn/english/tc/files.php?docpath=/ITU-R/M.1457/M.1457-12/DS |
| ETSI | ETSI TS 124 303 | 9.5.0 | Published | Jul 12 | http://www.etsi.org/deliver/etsi_ts/124300_124399/124303/09.05.00_60/ |
| TTC | TS-3GA-24.303(Rel9)v9.5.0 | 9.5.0 | Approved | Sep 12 | http://www.ttc.or.jp/imt2000/TS/TS24303rel9v940.pdf |
| Release 10 | | | | | |
| ATIS | ATIS.3GPP.24.303V1060-2014 | 10.6.0 | Approved | May 14 | https://www.atis.org/docstore/default.aspx |
| CCSA | CCSA-TSD-DS-24.303 | 10.5.0 | Published | Jun 12 | http://www.ccsa.org.cn/english/tc/files.php?docpath=/ITU-R/M.1457/M.1457-12/DS |
| ETSI | ETSI TS 124 303 | 10.6.0 | Published | Jul 12 | http://www.etsi.org/deliver/etsi_ts/124300_124399/124303/10.06.00_60/ |
| TTA | TTAT.3G-24.303(R10-10.5.0) | 10.5.0 | Approved | Aug 12 | http://www.tta.or.kr/data/ttasDown.jsp?where=14688&pk_num=TTAT.3G-24.303(R10-10.5.0) |
| TTC | TS-3GA-24.303(Rel10)v10.6.0 | 10.6.0 | Approved | Sep 12 | http://www.ttc.or.jp/jp/document_list/free/3gpps2012/TS/TS-3GA-24.303(Rel10)v10.5.0.pdf |
| Release 11 | | | | | |
| ATIS | ATIS.3GPP.24.303V1120-2014 | 11.2.0 | Approved | May 14 | https://www.atis.org/docstore/default.aspx |
| CCSA | CCSA-TSD-DS-24.303 | 11.3.0 | Published | Jun 14 | http://www.ccsa.org.cn/english/tc/files.php?docpath=/ITU-R/M.1457/M.1457-12/DS |
| ETSI | ETSI TS 124 303 | 11.2.0 | Published | Nov 12 | http://www.etsi.org/deliver/etsi_ts/124300_124399/124303/11.02.00_60/ |
| TTA | TTAT.3G-24.303(R11-11.2.0) | 11.2.0 | published | Aug 13 | http://www.tta.or.kr/data/ttasDown.jsp?where=14688&pk_num=TTAT.3G-24.303(R11-11.2.0) |
| TTC | TS-3GA-24.303(Rel11)v11.2.0 | 11.2.0 | Approved | Jun 13 | http://www.ttc.or.jp/jp/document_list/free/3gpps2013/TS/TS-3GA-24.303(Rel11)v11.2.0.pdf |

5.1.2.12.92 TS 24.304**Mobility management based on Mobile IPv4; User Equipment (UE) – foreign agent interface; Stage 3**

This document describes the stage 3 aspects of mobility management for User Equipment (UE) using IETF Mobile IPv4 foreign agent mode to access the Evolved Packet Core Network (EPC) through trusted non-3GPP access networks and for mobility management of UE between the 3GPP access network and trusted non-3GPP access networks. In particular, the document describes the UE – Mobile IPv4 Foreign Agent (FA) interface stage 3 aspects, where the FA functionality is located within the access network in the non-3GPP access domain. The document is applicable to the User Equipment (UE) and the network node implementing the FA functionality.

| SDO (2) | Document No. | Version | Status | Issued date | Location (1) |
|-------------------|-----------------------------|---------|-----------|-------------|---|
| Release 8 | | | | | |
| ATIS | ATIS.3GPP.24.304V820-2012 | 8.2.0 | Approved | Jul 12 | https://www.atis.org/docstore/default.aspx |
| CCSA | CCSA-TSD-DS-24.304 | 8.2.0 | Published | Jun 12 | http://www.ccsa.org.cn/english/tc/files.php?docpath=/ITU-R/M.1457/M.1457-12/DS |
| ETSI | ETSI TS 124 304 | 8.2.0 | Published | Apr 11 | http://www.etsi.org/deliver/etsi_ts/124300_124399/124304/08.02.00_60/ |
| TTA | TTAT.3G-24.304(R8-8.0.0) | 8.0.0 | Approved | Jul 09 | http://www.tta.or.kr/data/ttasDown.jsp?where=14688&pk_num=TTAT.3G-24.304(R8-8.0.0) |
| TTC | TS-3GA-24.304(Rel8)v8.2.0 | 8.2.0 | Approved | Jun 11 | http://www.ttc.or.jp/j/document_list/free/3gpps2011/TS/TS-3GA-24.304(Rel8)v8.2.0.pdf |
| Release 9 | | | | | |
| ATIS | ATIS.3GPP.24.304V920-2012 | 9.2.0 | Approved | Jul 12 | https://www.atis.org/docstore/default.aspx |
| CCSA | CCSA-TSD-DS-24.304 | 9.2.0 | Published | Jun 12 | http://www.ccsa.org.cn/english/tc/files.php?docpath=/ITU-R/M.1457/M.1457-12/DS |
| ETSI | ETSI TS 124 304 | 9.2.0 | Published | Apr 11 | http://www.etsi.org/deliver/etsi_ts/124300_124399/124304/09.02.00_60/ |
| TTA | TTAT.3G-24.304(R9-9.1.0) | 9.1.0 | Approved | Jul 10 | http://www.tta.or.kr/data/ttasDown.jsp?where=14688&pk_num=TTAT.3G-24.304(R9-9.1.0) |
| TTC | TS-3GA-24.304(Rel9)v9.2.0 | 9.2.0 | Approved | Jun 11 | http://www.ttc.or.jp/j/document_list/free/3gpps2011/TS/TS-3GA-24.304(Rel9)v9.2.0.pdf |
| Release 10 | | | | | |
| ATIS | ATIS.3GPP.24.304V1000-2012 | 10.0.0 | Approved | Jul 12 | https://www.atis.org/docstore/default.aspx |
| CCSA | CCSA-TSD-DS-24.304 | 10.0.0 | Published | Jun 12 | http://www.ccsa.org.cn/english/tc/files.php?docpath=/ITU-R/M.1457/M.1457-12/DS |
| ETSI | ETSI TS 124 304 | 10.0.0 | Published | Apr 11 | http://www.etsi.org/deliver/etsi_ts/124300_124399/124304/10.00.00_60/ |
| TTA | TTAT.3G-24.304(R10-10.0.0) | 10.0.0 | Approved | Apr 12 | http://www.tta.or.kr/data/ttasDown.jsp?where=14688&pk_num=TTAT.3G-24.304(R10-10.0.0) |
| TTC | TS-3GA-24.304(Rel10)v10.0.0 | 10.0.0 | Approved | Jun 11 | http://www.ttc.or.jp/j/document_list/free/3gpps2011/TS/TS-3GA-24.304(Rel10)v10.0.0.pdf |
| Release 11 | | | | | |
| ATIS | ATIS.3GPP.24.304V1100-2014 | 11.0.0 | Approved | May 14 | https://www.atis.org/docstore/default.aspx |
| CCSA | CCSA-TSD-DS-24.304 | 11.0.0 | Published | Jun 14 | http://www.ccsa.org.cn/english/tc/files.php?docpath=/ITU-R/M.1457/M.1457-12/DS |
| ETSI | ETSI TS 124 304 | 11.0.0 | Published | Oct 12 | http://www.etsi.org/deliver/etsi_ts/124300_124399/124304/11.00.00_60/ |
| TTA | TTAT.3G-24.304(R11-11.0.0) | 11.0.0 | published | Aug 13 | http://www.tta.or.kr/data/ttasDown.jsp?where=14688&pk_num=TTAT.3G-24.304(R11-11.0.0) |
| TTC | TS-3GA-24.304(Rel11)v11.0.0 | 11.0.0 | Approved | Jun 13 | http://www.ttc.or.jp/j/document_list/free/3gpps2013/TS/TS-3GA-24.304(Rel11)v11.0.0.pdf |

5.1.2.12.93 TS 24.305**Selective Disabling of 3GPP User Equipment Capabilities (SDoUE) Management Object (MO)**

This document specifies a mobile device Selective Disabling of 3GPP UE Capabilities (SDoUE) Management Object (MO) and the rules and corresponding behaviour of the UE with regard to the selective disabling of 3GPP UE capabilities, for example, when services or functions are disabled/enabled.

The SDoUE MO is compatible with the OMA Device Management (DM) protocol specifications, version 1.2 and upwards, and is defined using the OMA

DM Device Description Framework (DDF) as described in the Enabler Release Definition OMA-ERELED-DM-V1_2. The SDoUE MO consists of the relevant parameters that can be managed for selective disabling of 3GPP UE capabilities. The SDoUE MO defines a repository of data into the ME. The service requirements for selective disabling of 3GPP UE capabilities are defined in 3GPP TS 22.011.

| SDO (2) | Document No. | Version | Status | Issued date | Location (1) |
|-------------------|-----------------------------|---------|-----------|-------------|---|
| Release 7 | | | | | |
| CCSA | CCSA-TSD-DS-24.305 | 7.4.0 | Published | Jun 12 | http://www.ccsa.org.cn/english/tc/files.php?docpath=/ITU-R/M.1457/M.1457-12/DS |
| ETSI | ETSI TS 124 305 | 7.4.0 | Published | Mar 09 | http://www.etsi.org/deliver/etsi_ts/124300_124399/124305/07.04.00_60/ |
| TTC | TS-3GA-24.305(Rel7)v7.4.0 | 7.4.0 | Approved | Jul 09 | http://www.ttc.or.jp/j/document_list/free/3gpps2009/TS/TS-3GA-24.305(Rel7)v7.4.0.pdf |
| Release 8 | | | | | |
| CCSA | CCSA-TSD-DS-24.305 | 8.2.0 | Published | Jun 12 | http://www.ccsa.org.cn/english/tc/files.php?docpath=/ITU-R/M.1457/M.1457-12/DS |
| ETSI | ETSI TS 124 305 | 8.2.0 | Published | Jun 09 | http://www.etsi.org/deliver/etsi_ts/124300_124399/124305/08.02.00_60/ |
| TTC | TS-3GA-24.305(Rel8)v8.2.0 | 8.2.0 | Approved | Oct 09 | http://www.ttc.or.jp/j/document_list/free/3gpps2009/TS/TS-3GA-24.305(Rel8)v8.2.0.pdf |
| Release 9 | | | | | |
| CCSA | CCSA-TSD-DS-24.305 | 9.0.0 | Published | Jun 12 | http://www.ccsa.org.cn/english/tc/files.php?docpath=/ITU-R/M.1457/M.1457-12/DS |
| ETSI | ETSI TS 124 305 | 9.0.0 | Published | Jan 10 | http://www.etsi.org/deliver/etsi_ts/124300_124399/124305/09.00.00_60/ |
| TTC | TS-3GA-24.305(Rel9)v9.0.0 | 9.0.0 | Approved | Jul 10 | http://www.ttc.or.jp/j/document_list/free/3gpps2010/TS/TS-3GA-24.305(Rel9)v9.0.0.pdf |
| Release 10 | | | | | |
| ATIS | ATIS.3GPP.24.305V1000-2012 | 10.0.0 | Approved | Jul 12 | https://www.atis.org/docstore/default.aspx |
| CCSA | CCSA-TSD-DS-24.305 | 10.0.0 | Published | Jun 12 | http://www.ccsa.org.cn/english/tc/files.php?docpath=/ITU-R/M.1457/M.1457-12/DS |
| ETSI | ETSI TS 124 305 | 10.0.0 | Published | Apr 11 | http://www.etsi.org/deliver/etsi_ts/124300_124399/124305/10.00.00_60/ |
| TTA | TTAT.3G-24.305(R10-10.0.0) | 10.0.0 | Approved | Apr 12 | http://www.tta.or.kr/data/ttasDown.jsp?where=14688&pk_num=TTAT.3G-24.305(R10-10.0.0) |
| TTC | TS-3GA-24.305(Rel10)v10.0.0 | 10.0.0 | Approved | Jun 11 | http://www.ttc.or.jp/j/document_list/free/3gpps2011/TS/TS-3GA-24.305(Rel10)v10.0.0.pdf |
| Release 11 | | | | | |
| ATIS | ATIS.3GPP.24.305V1100-2014 | 11.0.0 | Approved | May 14 | https://www.atis.org/docstore/default.aspx |
| CCSA | CCSA-TSD-DS-24.305 | 11.0.0 | Published | Jun 14 | http://www.ccsa.org.cn/english/tc/files.php?docpath=/ITU-R/M.1457/M.1457-12/DS |
| ETSI | ETSI TS 124 305 | 11.0.0 | Published | Nov 12 | http://www.etsi.org/deliver/etsi_ts/124300_124399/124305/11.00.00_60/ |
| TTA | TTAT.3G-24.305(R11-11.0.0) | 11.0.0 | published | Aug 13 | http://www.tta.or.kr/data/ttasDown.jsp?where=14688&pk_num=TTAT.3G-24.305(R11-11.0.0) |
| TTC | TS-3GA-24.305(Rel11)v11.0.0 | 11.0.0 | Approved | Jun 13 | http://www.ttc.or.jp/j/document_list/free/3gpps2013/TS/TS-3GA-24.305(Rel11)v11.0.0.pdf |

5.1.2.12.94 TS 24.312

Access Network Discovery and Selection Function (ANDSF) Management Object (MO)

This document defines management objects that can be used by the Access Network Discovery and Selection Function (ANDSF) and the UE. The Management Object (MO) is compatible with the OMA Device Management (DM) protocol specifications, version 1.2 and upwards, and is defined using the OMA DM Device Description Framework (DDF) as described in the Enabler Release Definition OMA-ERELED-DM-V1_2. The MO consists of relevant parameters for intersystem mobility policy- and access network discovery information that can be managed by the ANDSF. The service requirements and the functional requirements for the access network discovery and selection are described in 3GPP TS 22.278 and in 3GPP TS 23.402 respectively.

| SDO (2) | Document No. | Version | Status | Issued date | Location (1) |
|-------------------|-----------------------------|---------|-----------|-------------|---|
| Release 8 | | | | | |
| CCSA | CCSA-TSD-DS-24.312 | 8.5.0 | Published | Jun 12 | http://www.ccsa.org.cn/english/tc/files.php?docpath=/ITU-R/M.1457/M.1457-12/DS |
| ETSI | ETSI TS 124 312 | 8.6.0 | Published | Jul 12 | http://www.etsi.org/deliver/etsi_ts/124300_124399/124312/08.06.00_60/ |
| TTC | TS-3GA-24.312(Rel8)v8.6.0 | 8.6.0 | Approved | Sep 12 | http://www.ttc.or.jp/j/document_list/free/3gpps2010/TS/TS-3GA-24.312(Rel8)v8.5.0.pdf |
| Release 9 | | | | | |
| ATIS | ATIS.3GPP.24.312V930-2014 | 9.3.0 | Approved | May 14 | https://www.atis.org/docstore/default.aspx |
| CCSA | CCSA-TSD-DS-24.312 | 9.2.0 | Published | Jun 12 | http://www.ccsa.org.cn/english/tc/files.php?docpath=/ITU-R/M.1457/M.1457-12/DS |
| ETSI | ETSI TS 124 312 | 9.3.0 | Published | Jul 12 | http://www.etsi.org/deliver/etsi_ts/124300_124399/124312/09.03.00_60/ |
| TTA | TTAT.3G-24.312(R9-9.1.0) | 9.1.0 | Approved | Jul 10 | http://www.tta.or.kr/data/ttasDown.jsp?where=14688&pk_num=TTAT.3G-24.312(R9-9.1.0) |
| TTC | TS-3GA-24.312(Rel9)v9.3.0 | 9.3.0 | Approved | Sep 12 | http://www.ttc.or.jp/j/document_list/free/3gpps2011/TS/TS-3GA-24.312(Rel9)v9.2.0.pdf |
| Release 10 | | | | | |
| ATIS | ATIS.3GPP.24.312V1060-2014 | 10.6.0 | Approved | May 14 | https://www.atis.org/docstore/default.aspx |
| CCSA | CCSA-TSD-DS-24.312 | 10.4.0 | Published | Jun 12 | http://www.ccsa.org.cn/english/tc/files.php?docpath=/ITU-R/M.1457/M.1457-12/DS |
| ETSI | ETSI TS 124 312 | 10.6.0 | Published | Jul 12 | http://www.etsi.org/deliver/etsi_ts/124300_124399/124312/10.06.00_60/ |
| TTA | TTAT.3G-24.312(R10-10.5.0) | 10.5.0 | Approved | Aug 12 | http://www.tta.or.kr/data/ttasDown.jsp?where=14688&pk_num=TTAT.3G-24.312(R10-10.5.0) |
| TTC | TS-3GA-24.312(Rel10)v10.6.0 | 10.6.0 | Approved | Sep 12 | http://www.ttc.or.jp/j/document_list/free/3gpps2012/TS/TS-3GA-24.312(Rel10)v10.5.0.pdf |
| Release 11 | | | | | |
| ATIS | ATIS.3GPP.24.312V1160-2014 | 11.6.0 | Approved | May 14 | https://www.atis.org/docstore/default.aspx |
| CCSA | CCSA-TSD-DS-24.312 | 11.6.0 | Published | Jun 14 | http://www.ccsa.org.cn/english/tc/files.php?docpath=/ITU-R/M.1457/M.1457-12/DS |
| ETSI | ETSI TS 124 312 | 11.6.0 | Published | Apr 13 | http://www.etsi.org/deliver/etsi_ts/124300_124399/124312/11.06.00_60/ |
| TTA | TTAT.3G-24.312(R11-11.6.0) | 11.6.0 | published | Aug 13 | http://www.tta.or.kr/data/ttasDown.jsp?where=14688&pk_num=TTAT.3G-24.312(R11-11.6.0) |
| TTC | TS-3GA-24.312(Rel11)v11.6.0 | 11.6.0 | Approved | Jun 13 | http://www.ttc.or.jp/j/document_list/free/3gpps2013/TS/TS-3GA-24.312(Rel11)v11.6.0.pdf |

5.1.2.12.95 TS 24.315

IP Multimedia Subsystem (IMS) Operator Determined Barring (ODB); Stage 3: protocol specification

This document specifies the stage three, Protocol Description of the network feature Operator Determined Barring (ODB) of IMS Multimedia Telephony Services. It is based on the requirements described in 3GPP TS 22.041. It provides the protocol details in the IP Multimedia (IM) Core Network (CN) subsystem based on the Session Initiation Protocol (SIP) and the Session Description Protocol (SDP).). In addition, it provides protocol details for XCAP for barring of supplementary services configuration.

| SDO (2) | Document No. | Version | Status | Issued date | Location (1) |
|-------------------|-----------------------------|---------|-----------|-------------|---|
| Release 11 | | | | | |
| ATIS | ATIS.3GPP.24.315V1110-2014 | 11.1.0 | Approved | May 14 | https://www.atis.org/docstore/default.aspx |
| TTA | TTAT.3G-24.315(R11-11.1.0) | 11.1.0 | published | Aug 13 | http://www.tta.or.kr/data/ttasDown.jsp?where=14688&pk_num=TTAT.3G-24.315(R11-11.1.0) |
| TTC | TS-3GA-24.315(Rel11)v11.1.0 | 11.1.0 | Approved | Jun 13 | http://www.ttc.or.jp/j/document_list/free/3gpps2013/TS/TS-3GA-24.315(Rel11)v11.1.0.pdf |

5.1.2.12.96 TS 24.327**Mobility between 3GPP Wireless Local Area Network (WLAN) interworking (I-WLAN) and 3GPP systems; General Packet Radio System (GPRS) and 3GPP I-WLAN aspects; Stage 3**

This document specifies the signalling procedures for handling the mobility of a UE between 3GPP Wireless Local Area Network Interworking (I-WLAN) and GPRS systems and is applicable to the User Equipment (UE) and the network nodes supporting mobility between 3GPP I-WLAN and GPRS systems. In addition, it specifies the procedures used between the UE and the network nodes for the attach and the detach cases. It also specifies how the UE performs handover when moving from 3GPP I-WLAN to GPRS systems and vice-versa.

| SDO (2) | Document No. | Version | Status | Issued date | Location (1) |
|-------------------|-----------------------------|---------|-----------|-------------|---|
| Release 8 | | | | | |
| TTC | TS-3GA-24.327(Rel8)v8.6.0 | 8.6.0 | Approved | Oct 10 | http://www.ttc.or.jp/j/document_list/free/3gpps2010/TS/TS-3GA-24.327(Rel8)v8.6.0.pdf |
| Release 9 | | | | | |
| TTC | TS-3GA-24.327(Rel9)v9.2.0 | 9.2.0 | Approved | Oct 10 | http://www.ttc.or.jp/j/document_list/free/3gpps2010/TS/TS-3GA-24.327(Rel9)v9.2.0.pdf |
| Release 10 | | | | | |
| TTC | TS-3GA-24.327(Rel10)v10.2.0 | 10.2.0 | Approved | Aug 11 | http://www.ttc.or.jp/j/document_list/free/3gpps2011/TS/TS-3GA-24.327(Rel10)v10.2.0.pdf |
| Release 11 | | | | | |
| ATIS | ATIS.3GPP.24.327V1100-2014 | 11.0.0 | Approved | May 14 | https://www.atis.org/docstore/default.aspx |
| TTA | TTAT.3G-24.327(R11-11.0.0) | 11.0.0 | published | Aug 13 | http://www.tta.or.kr/data/ttasDown.jsp?where=14688&pk_num=TTAT.3G-24.327(R11-11.0.0) |
| TTC | TS-3GA-24.327(Rel11)v11.0.0 | 11.0.0 | Approved | Jun 13 | http://www.ttc.or.jp/j/document_list/free/3gpps2013/TS/TS-3GA-24.327(Rel11)v11.0.0.pdf |

5.1.2.12.97 TS 24.337**IP Multimedia (IM) Core Network (CN) subsystem IP Multimedia Subsystem (IMS) inter-UE transfer; Stage 3**

IP Multimedia (IM) Core Network (CN) subsystem inter-UE transfer (IUT) provides the capability of continuing ongoing communication sessions with multiple media across different user equipments (UEs) under the control of the same or different subscribers, and as part of Service Continuity (SC). This document provides the protocol details for enabling IMS inter-UE transfer based on the Session Initiation protocol (SIP) and the Session Description Protocol (SDP).

| SDO (2) | Document No. | Version | Status | Issued date | Location (1) |
|-------------------|-----------------------------|---------|-----------|-------------|---|
| Release 10 | | | | | |
| ATIS | ATIS.3GPP.24.337V1070-2014 | 10.7.0 | Approved | May 14 | https://www.atis.org/docstore/default.aspx |
| CCSA | CCSA-TSD-DS-24.337 | 10.3.0 | Published | Jun 12 | http://www.ccsa.org.cn/english/tc/files.php?docpath=/ITU-R/M.1457/M.1457-12/DS |
| ETSI | ETSI TS 124 337 | 10.7.0 | Published | Apr 13 | http://www.etsi.org/deliver/etsi_ts/124300_124399/124337/10.07.00_60/ |
| TTA | TTAT.3G-24.337(R10-10.4.0) | 10.4.0 | Approved | Aug 12 | http://www.tta.or.kr/data/ttasDown.jsp?where=14688&pk_num=TTAT.3G-24.337(R10-10.4.0) |
| TTC | TS-3GA-24.337(Rel10)v10.7.0 | 10.7.0 | Approved | Jun 13 | http://www.ttc.or.jp/jp/document_list/free/3gpps2013/TS/TS-3GA-24.337(Rel10)v10.7.0.pdf |
| Release 11 | | | | | |
| ATIS | ATIS.3GPP.24.337V1140-2014 | 11.4.0 | Approved | May 14 | https://www.atis.org/docstore/default.aspx |
| CCSA | CCSA-TSD-DS-24.337 | 11.6.0 | Published | Jun 14 | http://www.ccsa.org.cn/english/tc/files.php?docpath=/ITU-R/M.1457/M.1457-12/DS |

| | | | | | |
|------|-----------------------------|--------|-----------|--------|---|
| ETSI | ETSI TS 124 337 | 11.4.0 | Published | Apr 13 | http://www.etsi.org/deliver/etsi_ts/124300_124399/124337/11.04.00_60/ |
| TTA | TTAT.3G-24.337(R11-11.4.0) | 11.4.0 | published | Aug 13 | http://www.tta.or.kr/data/ttasDown.jsp?where=14688&pk_num=TTAT.3G-24.337(R11-11.4.0) |
| TTC | TS-3GA-24.337(Rel11)v11.4.0 | 11.4.0 | Approved | Jun 13 | http://www.ttc.or.jp/jp/document_list/free/3gpps2013/TS/TS-3GA-24.337(Rel11)v11.4.0.pdf |

5.1.2.12.98 TS 24.341

Support of SMS over IP networks; Stage 3

This specification provides the protocol details for SMS over IP functionality within the IP Multimedia (IM) Core Network (CN) subsystem based on the Session Initiation Protocol (SIP). The architecture for the SMS over IP functionality is specified in 3GPP TS 23.204.

| SDO (2) | Document No. | Version | Status | Issued date | Location (1) |
|-------------------|-----------------------------|---------|-----------|-------------|---|
| Release 7 | | | | | |
| ATIS | ATIS.3GPP.24.341V750-2012 | 7.5.0 | Approved | Jul 12 | https://www.atis.org/docstore/default.aspx |
| CCSA | CCSA-TSD-DS-24.341 | 7.5.0 | Published | Jun 12 | http://www.ccsa.org.cn/english/tc/files.php?docpath=/ITU-R/M.1457/M.1457-12/DS |
| ETSI | ETSI TS 124 341 | 7.5.0 | Published | Jun 10 | http://www.etsi.org/deliver/etsi_ts/124300_124399/124341/07.05.00_60/ |
| TTA | TTAT.3G-24.341(R7-7.3.0) | 7.3.0 | Approved | Jul 09 | http://www.tta.or.kr/data/ttasDown.jsp?where=14688&pk_num=TTAT.3G-24.341(R7-7.3.0) |
| TTC | TS-3GA-24.341(Rel7)v7.5.0 | 7.5.0 | Approved | Oct 10 | http://www.ttc.or.jp/j/document_list/free/3gpps2010/TS/TS-3GA-24.341(Rel7)v7.5.0.pdf |
| Release 8 | | | | | |
| ATIS | ATIS.3GPP.24.341V850-2012 | 8.5.0 | Approved | Jul 12 | https://www.atis.org/docstore/default.aspx |
| CCSA | CCSA-TSD-DS-24.341 | 8.5.0 | Published | Jun 12 | http://www.ccsa.org.cn/english/tc/files.php?docpath=/ITU-R/M.1457/M.1457-12/DS |
| ETSI | ETSI TS 124 341 | 8.5.0 | Published | Jan 11 | http://www.etsi.org/deliver/etsi_ts/124300_124399/124341/08.05.00_60/ |
| TTA | TTAT.3G-24.341(R8-8.1.0) | 8.1.0 | Approved | Jul 09 | http://www.tta.or.kr/data/ttasDown.jsp?where=14688&pk_num=TTAT.3G-24.341(R8-8.1.0) |
| TTC | TS-3GA-24.341(Rel8)v8.5.0 | 8.5.0 | Approved | Apr 11 | http://www.ttc.or.jp/j/document_list/free/3gpps2011/TS/TS-3GA-24.341(Rel8)v8.5.0.pdf |
| Release 9 | | | | | |
| ATIS | ATIS.3GPP.24.341V920-2012 | 9.2.0 | Approved | Jul 12 | https://www.atis.org/docstore/default.aspx |
| CCSA | CCSA-TSD-DS-24.341 | 9.2.0 | Published | Jun 12 | http://www.ccsa.org.cn/english/tc/files.php?docpath=/ITU-R/M.1457/M.1457-12/DS |
| ETSI | ETSI TS 124 341 | 9.2.0 | Published | Jan 11 | http://www.etsi.org/deliver/etsi_ts/124300_124399/124341/09.02.00_60/ |
| TTA | TTAT.3G-24.341(R9-9.0.0) | 9.0.0 | Approved | Jul 10 | http://www.tta.or.kr/data/ttasDown.jsp?where=14688&pk_num=TTAT.3G-24.341(R9-9.0.0) |
| TTC | TS-3GA-24.341(Rel9)v9.2.0 | 9.2.0 | Approved | Apr 11 | http://www.ttc.or.jp/j/document_list/free/3gpps2011/TS/TS-3GA-24.341(Rel9)v9.2.0.pdf |
| Release 10 | | | | | |
| ATIS | ATIS.3GPP.24.341V1000-2012 | 10.0.0 | Approved | Jul 12 | https://www.atis.org/docstore/default.aspx |
| CCSA | CCSA-TSD-DS-24.341 | 10.0.0 | Published | Jun 12 | http://www.ccsa.org.cn/english/tc/files.php?docpath=/ITU-R/M.1457/M.1457-12/DS |
| ETSI | ETSI TS 124 341 | 10.0.0 | Published | Mar 11 | http://www.etsi.org/deliver/etsi_ts/124300_124399/124341/10.00.00_60/ |
| TTA | TTAT.3G-24.341(R10-10.0.0) | 10.0.0 | Approved | Apr 12 | http://www.tta.or.kr/data/ttasDown.jsp?where=14688&pk_num=TTAT.3G-24.341(R10-10.0.0) |
| TTC | TS-3GA-24.341(Rel10)v10.0.0 | 10.0.0 | Approved | Jun 11 | http://www.ttc.or.jp/j/document_list/free/3gpps2011/TS/TS-3GA-24.341(Rel10)v10.0.0.pdf |
| Release 11 | | | | | |
| ATIS | ATIS.3GPP.24.341V1120-2014 | 11.2.0 | Approved | May 14 | https://www.atis.org/docstore/default.aspx |
| CCSA | CCSA-TSD-DS-24.341 | 11.3.0 | Published | Jun 14 | http://www.ccsa.org.cn/english/tc/files.php?docpath=/ITU-R/M.1457/M.1457-12/DS |
| ETSI | ETSI TS 124 341 | 11.2.0 | Published | Jan 13 | http://www.etsi.org/deliver/etsi_ts/124300_124399/124341/11.02.00_60/ |
| TTA | TTAT.3G-24.341(R11-11.2.0) | 11.2.0 | published | Aug 13 | http://www.tta.or.kr/data/ttasDown.jsp?where=14688&pk_num=TTAT.3G-24.341(R11-11.2.0) |
| TTC | TS-3GA-24.341(Rel11)v11.2.0 | 11.2.0 | Approved | Jun 13 | http://www.ttc.or.jp/j/document_list/free/3gpps2013/TS/TS-3GA-24.341(Rel11)v11.2.0.pdf |

5.1.2.12.99 TS 24.368**Non-Access Stratum (NAS) configuration Management Object (MO)**

This document defines a Management Object (MO) that can be used to configure the UE with parameters related to Non-Access Stratum (NAS) functionality. The MO is compatible with the OMA Device Management (DM) protocol specifications, version 1.2 and upwards, and is defined using the OMA DM Device Description Framework (DDF) as described in the Enabler Release Definition OMA-ERELED-DM-V1_2. The MO consists of relevant parameters for NAS related configuration of a UE.

| SDO (2) | Document No. | Version | Status | Issued date | Location (1) |
|-------------------|-----------------------------|---------|-----------|-------------|---|
| Release 10 | | | | | |
| ATIS | ATIS.3GPP.24.368V1010-2012 | 10.1.0 | Approved | Jul 12 | https://www.atis.org/docstore/default.aspx |
| CCSA | CCSA-TSD-DS-24.368 | 10.1.0 | Published | Jun 12 | http://www.ccsa.org.cn/english/tc/files.php?docpath=/ITU-R/M.1457/M.1457-12/DS |
| ETSI | ETSI TS 124 368 | 10.1.0 | Published | Jun 11 | http://www.etsi.org/deliver/etsi_ts/124300_124399/124368/10.01.00_60/ |
| TTA | TTAT.3G-24.368(R10-10.1.0) | 10.1.0 | Approved | Apr 12 | http://www.tta.or.kr/data/ttasDown.jsp?where=14688&pk_num=TTAT.3G-24.368(R10-10.1.0) |
| TTC | TS-3GA-24.368(Rel10)v10.1.0 | 10.1.0 | Approved | Aug 11 | http://www.ttc.or.jp/j/document_list/free/3gpps2011/TS/TS-3GA-24.368(Rel10)v10.1.0.pdf |
| Release 11 | | | | | |
| ATIS | ATIS.3GPP.24.368V1120-2014 | 11.2.0 | Approved | May 14 | https://www.atis.org/docstore/default.aspx |
| CCSA | CCSA-TSD-DS-24.368 | 11.2.0 | Published | Jun 14 | http://www.ccsa.org.cn/english/tc/files.php?docpath=/ITU-R/M.1457/M.1457-12/DS |
| ETSI | ETSI TS 124 368 | 11.2.0 | Published | Oct 12 | http://www.etsi.org/deliver/etsi_ts/124300_124399/124368/11.02.00_60/ |
| TTA | TTAT.3G-24.368(R11-11.2.0) | 11.2.0 | published | Aug 13 | http://www.tta.or.kr/data/ttasDown.jsp?where=14688&pk_num=TTAT.3G-24.368(R11-11.2.0) |
| TTC | TS-3GA-24.368(Rel11)v11.2.0 | 11.2.0 | Approved | Jun 13 | http://www.ttc.or.jp/j/document_list/free/3gpps2013/TS/TS-3GA-24.368(Rel11)v11.2.0.pdf |

5.1.2.12.100 TS 24.390**Unstructured Supplementary Service Data (USSD) using IP Multimedia (IM) Core Network (CN) subsystem IMS; Stage 3**

This document describes the procedures for using Unstructured Supplementary Service Data (USSD) operations for mobile initiated MMI mode over IP Multimedia Core Network Subsystem (IMS). MMI mode is for the transparent transport of MMI strings entered by the user to the Application Servers (AS) and for the transparent transport of text strings back to the User Equipment (UE) to be displayed for user information.

Support of USSD service is optional and only applicable for an operator's Public Land Mobile Network (PLMN). This document is applicable to UE and AS which are intended to support USSD operations over IP Multimedia Core Network Subsystem (IMS) in mobile initiated MMI mode.

| SDO (2) | Document No. | Version | Status | Issued date | Location (1) |
|-------------------|-----------------------------|---------|-----------|-------------|---|
| Release 11 | | | | | |
| ATIS | ATIS.3GPP.24.390V1120-2014 | 11.2.0 | Approved | May 14 | https://www.atis.org/docstore/default.aspx |
| TTA | TTAT.3G-24.390(R11-11.2.0) | 11.2.0 | published | Aug 13 | http://www.tta.or.kr/data/ttasDown.jsp?where=14688&pk_num=TTAT.3G-24.390(R11-11.2.0) |
| TTC | TS-3GA-24.390(Rel11)v11.2.0 | 11.2.0 | Approved | Jun 13 | http://www.ttc.or.jp/j/document_list/free/3gpps2013/TS/TS-3GA-24.390(Rel11)v11.2.0.pdf |

5.1.2.12.101 TS 24.604**Communication Diversion (CDIV) using IP Multimedia (IM) Core Network (CN) subsystem; Protocol specification**

This document specifies the Stage 3, Protocol Description of the Communications Diversion (CDIV) supplementary services, based on stage one and two of the ISDN Communication diversion supplementary services. It provides the protocol details in the IP Multimedia (IM) Core Network (CN) subsystem based on the Session Initiation Protocol (SIP) and the Session Description Protocol (SDP).

| SDO (2) | Document No. | Version | Status | Issued date | Location (1) |
|-------------------|-----------------------------|---------|-----------|-------------|---|
| Release 8 | | | | | |
| CCSA | CCSA-TSD-DS-24.604 | 8.11.0 | Published | Jun 12 | http://www.ccsa.org.cn/english/tc/files.php?docpath=/ITU-R/M.1457/M.1457-12/DS |
| ETSI | ETSI TS 124 604 | 8.13.0 | Published | Jul 12 | http://www.etsi.org/deliver/etsi_ts/124600_124699/124604/08.13.00_60/ |
| TTC | TS-3GA-24.604(Rel8)v8.13.0 | 8.13.0 | Approved | Sep 12 | http://www.ttc.or.jp/jp/document_list/free/3gpps2012/TS/TS-3GA-24.604(Rel8)v8.12.0.pdf |
| Release 9 | | | | | |
| ATIS | ATIS.3GPP.24.604V9100-2014 | 9.10.0 | Approved | May 14 | https://www.atis.org/docstore/default.aspx |
| CCSA | CCSA-TSD-DS-24.604 | 9.8.0 | Published | Jun 12 | http://www.ccsa.org.cn/english/tc/files.php?docpath=/ITU-R/M.1457/M.1457-12/DS |
| ETSI | ETSI TS 124 604 | 9.10.0 | Published | Jul 12 | http://www.etsi.org/deliver/etsi_ts/124600_124699/124604/09.10.00_60/ |
| TTA | TTAT.3G-24.604(R9-9.3.0) | 9.3.0 | Approved | Jul 10 | http://www.tta.or.kr/data/ttasDown.jsp?where=14688&pk_num=TTAT.3G-24.604(R9-9.3.0) |
| TTC | TS-3GA-24.604(Rel9)v9.10.0 | 9.10.0 | Approved | Sep 12 | http://www.ttc.or.jp/jp/document_list/free/3gpps2012/TS/TS-3GA-24.604(Rel9)v9.10.0.pdf |
| Release 10 | | | | | |
| ATIS | ATIS.3GPP.24.604V1050-2014 | 10.5.0 | Approved | May 14 | https://www.atis.org/docstore/default.aspx |
| CCSA | CCSA-TSD-DS-24.604 | 10.3.0 | Published | Jun 12 | http://www.ccsa.org.cn/english/tc/files.php?docpath=/ITU-R/M.1457/M.1457-12/DS |
| ETSI | ETSI TS 124 604 | 10.5.0 | Published | Jul 12 | http://www.etsi.org/deliver/etsi_ts/124600_124699/124604/10.05.00_60/ |
| TTA | TTAT.3G-24.604(R10-10.4.0) | 10.4.0 | Approved | Aug 12 | http://www.tta.or.kr/data/ttasDown.jsp?where=14688&pk_num=TTAT.3G-24.604(R10-10.4.0) |
| TTC | TS-3GA-24.604(Rel10)v10.5.0 | 10.5.0 | Approved | Sep 12 | http://www.ttc.or.jp/jp/document_list/free/3gpps2012/TS/TS-3GA-24.604(Rel10)v10.4.0.pdf |
| Release 11 | | | | | |
| ATIS | ATIS.3GPP.24.604V1150-2014 | 11.5.0 | Approved | May 14 | https://www.atis.org/docstore/default.aspx |
| CCSA | CCSA-TSD-DS-24.604 | 11.1.0 | Published | Jun 14 | http://www.ccsa.org.cn/english/tc/files.php?docpath=/ITU-R/M.1457/M.1457-12/DS |
| ETSI | ETSI TS 124 604 | 11.5.0 | Published | Jan 13 | http://www.etsi.org/deliver/etsi_ts/124600_124699/124604/11.05.00_60/ |
| TTA | TTAT.3G-24.604(R11-11.5.0) | 11.5.0 | published | Aug 13 | http://www.tta.or.kr/data/ttasDown.jsp?where=14688&pk_num=TTAT.3G-24.604(R11-11.5.0) |
| TTC | TS-3GA-24.604(Rel11)v11.5.0 | 11.5.0 | Approved | Jun 13 | http://www.ttc.or.jp/jp/document_list/free/3gpps2013/TS/TS-3GA-24.604(Rel11)v11.5.0.pdf |

5.1.2.12.102 TS 24.605**Conference (CONF) using IP Multimedia (IM) Core Network (CN) subsystem; Protocol specification**

This document specifies the stage three Protocol Description of the Conference (CONF) service based on stage one and two of the ISDN CONF supplementary service. It provides the protocol details in the IP Multimedia (IM) Core Network (CN) subsystem based on the Session Initiation Protocol (SIP) and the Session Description Protocol (SDP).

| SDO (2) | Document No. | Version | Status | Issued date | Location (1) |
|------------------|--------------------|---------|-----------|-------------|---|
| Release 8 | | | | | |
| CCSA | CCSA-TSD-DS-24.605 | 8.3.0 | Published | Jun 12 | http://www.ccsa.org.cn/english/tc/files.php?docpath=/ITU-R/M.1457/M.1457-12/DS |
| ETSI | ETSI TS 124 605 | 8.4.0 | Published | Jan 13 | http://www.etsi.org/deliver/etsi_ts/124600_124699/124605/08.04.00_60/ |

| | | | | | |
|-------------------|-----------------------------|--------|-----------|--------|---|
| TTC | TS-3GA-24.605(Rel8)v8.4.0 | 8.4.0 | Approved | Jun 13 | http://www.ttc.or.jp/j/document_list/free/3gpps2013/TS/TS-3GA-24.605(Rel8)v8.4.0.pdf |
| Release 9 | | | | | |
| ATIS | ATIS.3GPP.24.605V920-2014 | 9.2.0 | Approved | May 14 | https://www.atis.org/docstore/default.aspx |
| CCSA | CCSA-TSD-DS-24.605 | 9.1.0 | Published | Jun 12 | http://www.ccsa.org.cn/english/tc/files.php?docpath=/ITU-R/M.1457/M.1457-12/DS |
| ETSI | ETSI TS 124 605 | 9.2.0 | Published | Jan 13 | http://www.etsi.org/deliver/etsi_ts/124600_124699/124605/09.02.00_60/ |
| TTA | TTAT.3G-24.605(R9-9.1.0) | 9.1.0 | Approved | Jul 10 | http://www.tta.or.kr/data/ttasDown.jsp?where=14688&pk_num=TTAT.3G-24.605(R9-9.1.0) |
| TTC | TS-3GA-24.605(Rel9)v9.2.0 | 9.2.0 | Approved | Jun 13 | http://www.ttc.or.jp/j/document_list/free/3gpps2013/TS/TS-3GA-24.605(Rel9)v9.2.0.pdf |
| Release 10 | | | | | |
| ATIS | ATIS.3GPP.24.605V1010-2014 | 10.1.0 | Approved | May 14 | https://www.atis.org/docstore/default.aspx |
| CCSA | CCSA-TSD-DS-24.605 | 10.0.0 | Published | Jun 12 | http://www.ccsa.org.cn/english/tc/files.php?docpath=/ITU-R/M.1457/M.1457-12/DS |
| ETSI | ETSI TS 124 605 | 10.1.0 | Published | Jan 13 | http://www.etsi.org/deliver/etsi_ts/124600_124699/124605/10.01.00_60/ |
| TTA | TTAT.3G-24.605(R10-10.0.0) | 10.0.0 | Approved | Apr 12 | http://www.tta.or.kr/data/ttasDown.jsp?where=14688&pk_num=TTAT.3G-24.605(R10-10.0.0) |
| TTC | TS-3GA-24.605(Rel10)v10.1.0 | 10.1.0 | Approved | Jun 13 | http://www.ttc.or.jp/j/document_list/free/3gpps2013/TS/TS-3GA-24.605(Rel10)v10.1.0.pdf |
| Release 11 | | | | | |
| ATIS | ATIS.3GPP.24.605V1110-2014 | 11.1.0 | Approved | May 14 | https://www.atis.org/docstore/default.aspx |
| ETSI | ETSI TS 124 605 | 11.1.0 | Published | Jan 13 | http://www.etsi.org/deliver/etsi_ts/124600_124699/124605/11.01.00_60/ |
| TTA | TTAT.3G-24.605(R11-11.1.0) | 11.1.0 | published | Aug 13 | http://www.tta.or.kr/data/ttasDown.jsp?where=14688&pk_num=TTAT.3G-24.605(R11-11.1.0) |
| TTC | TS-3GA-24.605(Rel11)v11.1.0 | 11.1.0 | Approved | Jun 13 | http://www.ttc.or.jp/j/document_list/free/3gpps2013/TS/TS-3GA-24.605(Rel11)v11.1.0.pdf |

5.1.2.12.103 TS 24.606

Message Waiting Indication (MWI) using IP Multimedia (IM) Core Network (CN) subsystem; Protocol specification

This document specifies the stage three Protocol Description of the Message Waiting Indication (MWI) service, based on stage one and two of the ISDN MWI supplementary services. It provides the protocol details in the IP Multimedia (IM) Core Network (CN) subsystem based on the Session Initiation Protocol (SIP) and the Session Description Protocol (SDP).

| SDO (2) | Document No. | Version | Status | Issued date | Location (1) |
|-------------------|----------------------------|---------|-----------|-------------|---|
| Release 8 | | | | | |
| CCSA | CCSA-TSD-DS-24.606 | 8.3.0 | Published | Jun 12 | http://www.ccsa.org.cn/english/tc/files.php?docpath=/ITU-R/M.1457/M.1457-12/DS |
| ETSI | ETSI TS 124 606 | 8.4.0 | Published | Jul 12 | http://www.etsi.org/deliver/etsi_ts/124600_124699/124606/08.04.00_60/ |
| TTC | TS-3GA-24.606(Rel8)v8.4.0 | 8.4.0 | Approved | Sep 12 | http://www.ttc.or.jp/imt2000/TS/TS24606rel8v830.pdf |
| Release 9 | | | | | |
| ATIS | ATIS.3GPP.24.606V930-2014 | 9.3.0 | Approved | May 14 | https://www.atis.org/docstore/default.aspx |
| CCSA | CCSA-TSD-DS-24.606 | 9.2.0 | Published | Jun 12 | http://www.ccsa.org.cn/english/tc/files.php?docpath=/ITU-R/M.1457/M.1457-12/DS |
| ETSI | ETSI TS 124 606 | 9.3.0 | Published | Jul 12 | http://www.etsi.org/deliver/etsi_ts/124600_124699/124606/09.03.00_60/ |
| TTA | TTAT.3G-24.606(R9-9.1.0) | 9.1.0 | Approved | Jul 10 | http://www.tta.or.kr/data/ttasDown.jsp?where=14688&pk_num=TTAT.3G-24.606(R9-9.1.0) |
| TTC | TS-3GA-24.606(Rel9)v9.3.0 | 9.3.0 | Approved | Sep 12 | http://www.ttc.or.jp/imt2000/TS/TS24606rel9v920.pdf |
| Release 10 | | | | | |
| ATIS | ATIS.3GPP.24.606V1020-2014 | 10.2.0 | Approved | May 14 | https://www.atis.org/docstore/default.aspx |
| CCSA | CCSA-TSD-DS-24.606 | 10.1.0 | Published | Jun 12 | http://www.ccsa.org.cn/english/tc/files.php?docpath=/ITU-R/M.1457/M.1457-12/DS |
| ETSI | ETSI TS 124 606 | 10.2.0 | Published | Jul 12 | http://www.etsi.org/deliver/etsi_ts/124600_124699/124606/10.02.00_60/ |
| TTA | TTAT.3G-24.606(R10-10.1.0) | 10.1.0 | Approved | Apr 12 | http://www.tta.or.kr/data/ttasDown.jsp?where=14688&pk_num=TTAT.3G-24.606(R10-10.1.0) |

| | | | | | |
|-------------------|-----------------------------|--------|-----------|--------|---|
| TTC | TS-3GA-24.606(Rel10)v10.2.0 | 10.2.0 | Approved | Sep 12 | http://www.ttc.or.jp/j/document_list/free/3gpps2011/TS/TS-3GA-24.606(Rel10)v10.1.0.pdf |
| Release 11 | | | | | |
| ATIS | ATIS.3GPP.24.606V1110-2014 | 11.1.0 | Approved | May 14 | https://www.atis.org/docstore/default.aspx |
| ETSI | ETSI TS 124 606 | 11.1.0 | Published | Oct 12 | http://www.etsi.org/deliver/etsi_ts/124600_124699/124606/11.01.00_60/ |
| TTA | TTAT.3G-24.606(R11-11.1.0) | 11.1.0 | published | Aug 13 | http://www.tta.or.kr/data/ttasDown.jsp?where=14688&pk_num=TTAT.3G-24.606(R11-11.1.0) |
| TTC | TS-3GA-24.606(Rel11)v11.1.0 | 11.1.0 | Approved | Jun 13 | http://www.ttc.or.jp/j/document_list/free/3gpps2013/TS/TS-3GA-24.606(Rel11)v11.1.0.pdf |

5.1.2.12.104 TS 24.607

Originating Identification Presentation (OIP) and Originating Identification Restriction (OIR) using IP Multimedia (IM) Core Network (CN) subsystem; Protocol specification

This document specifies the stage three (protocol description) of the Originating Identification Presentation (OIP) supplementary service and the Originating Identification Restriction (OIR) supplementary services, based on stage one and two of the ISDN CLIP and CLIR supplementary service. It provides the protocol details in the IP Multimedia (IM) Core Network (CN) subsystem based on the Session Initiation Protocol (SIP) and the Session Description Protocol (SDP).

| SDO (2) | Document No. | Version | Status | Issued date | Location (1) |
|-------------------|-----------------------------|---------|-----------|-------------|---|
| Release 8 | | | | | |
| CCSA | CCSA-TSD-DS-24.607 | 8.4.0 | Published | Jun 12 | http://www.ccsa.org.cn/english/tc/files.php?docpath=/ITU-R/M.1457/M.1457-12/DS |
| ETSI | ETSI TS 124 607 | 8.4.0 | Published | Jan 10 | http://www.etsi.org/deliver/etsi_ts/124600_124699/124607/08.04.00_60/ |
| TTC | TS-3GA-24.607(Rel8)v8.4.0 | 8.4.0 | Approved | Apr 10 | http://www.ttc.or.jp/j/document_list/free/3gpps2010/TS/TS-3GA-24.607(Rel8)v8.4.0.pdf |
| Release 9 | | | | | |
| ATIS | ATIS.3GPP.24.607V910-2010 | 9.1.0 | Approved | Jul 10 | https://www.atis.org/docstore/default.aspx |
| CCSA | CCSA-TSD-DS-24.607 | 9.1.0 | Published | Jun 12 | http://www.ccsa.org.cn/english/tc/files.php?docpath=/ITU-R/M.1457/M.1457-12/DS |
| ETSI | ETSI TS 124 607 | 9.1.0 | Published | Apr 10 | http://www.etsi.org/deliver/etsi_ts/124600_124699/124607/09.01.00_60/ |
| TTA | TTAT.3G-24.607(R9-9.1.0) | 9.1.0 | Approved | Jul 10 | http://www.tta.or.kr/data/ttasDown.jsp?where=14688&pk_num=TTAT.3G-24.607(R9-9.1.0) |
| TTC | TS-3GA-24.607(Rel9)v9.1.0 | 9.1.0 | Approved | Jul 10 | http://www.ttc.or.jp/j/document_list/free/3gpps2010/TS/TS-3GA-24.607(Rel9)v9.1.0.pdf |
| Release 10 | | | | | |
| ATIS | ATIS.3GPP.24.607V1000-2012 | 10.0.0 | Approved | Jul 12 | https://www.atis.org/docstore/default.aspx |
| CCSA | CCSA-TSD-DS-24.607 | 10.0.0 | Published | Jun 12 | http://www.ccsa.org.cn/english/tc/files.php?docpath=/ITU-R/M.1457/M.1457-12/DS |
| ETSI | ETSI TS 124 607 | 10.0.0 | Published | May 11 | http://www.etsi.org/deliver/etsi_ts/124600_124699/124607/10.00.00_60/ |
| TTA | TTAT.3G-24.607(R10-10.0.0) | 10.0.0 | Approved | Apr 12 | http://www.tta.or.kr/data/ttasDown.jsp?where=14688&pk_num=TTAT.3G-24.607(R10-10.0.0) |
| TTC | TS-3GA-24.607(Rel10)v10.0.0 | 10.0.0 | Approved | Jun 11 | http://www.ttc.or.jp/j/document_list/free/3gpps2011/TS/TS-3GA-24.607(Rel10)v10.0.0.pdf |
| Release 11 | | | | | |
| ATIS | ATIS.3GPP.24.607V1120-2014 | 11.2.0 | Approved | May 14 | https://www.atis.org/docstore/default.aspx |
| ETSI | ETSI TS 124 607 | 11.2.0 | Published | Jan 13 | http://www.etsi.org/deliver/etsi_ts/124600_124699/124607/11.02.00_60/ |
| TTA | TTAT.3G-24.607(R11-11.2.0) | 11.2.0 | published | Aug 13 | http://www.tta.or.kr/data/ttasDown.jsp?where=14688&pk_num=TTAT.3G-24.607(R11-11.2.0) |
| TTC | TS-3GA-24.607(Rel11)v11.2.0 | 11.2.0 | Approved | Jun 13 | http://www.ttc.or.jp/j/document_list/free/3gpps2013/TS/TS-3GA-24.607(Rel11)v11.2.0.pdf |

5.1.2.12.105 TS 24.608**Terminating Identification Presentation (TIP) and Terminating Identification Restriction (TIR) using IP Multimedia (IM) Core Network (CN) subsystem; Protocol specification**

This document specifies the stage three protocol description of the Terminating Identification Presentation (TIP) and Terminating Identification Restriction (TIR) services, based on stage one and two of the ISDN COLP and COLR supplementary services. It provides the protocol details in the IP Multimedia (IM) Core Network (CN) subsystem based on the Session Initiation Protocol (SIP) and the Session Description Protocol (SDP).

| SDO (2) | Document No. | Version | Status | Issued date | Location (1) |
|---------|--------------|---------|--------|-------------|--------------|
|---------|--------------|---------|--------|-------------|--------------|

5.1.2.12.106 TS 24.610**Communication HOLD (HOLD) using IP Multimedia (IM) Core Network (CN) subsystem; Protocol specification**

This document specifies the stage three Protocol Description of the Communication Hold (HOLD) services, based on stages one and two of the ISDN Hold (HOLD) supplementary services. It provides the protocol details in the IP Multimedia (IM) Core Network (CN) subsystem based on the Session Initiation Protocol (SIP) and the Session Description Protocol (SDP).

| SDO (2) | Document No. | Version | Status | Issued date | Location (1) |
|---------|--------------|---------|--------|-------------|--------------|
|---------|--------------|---------|--------|-------------|--------------|

Release 8

| | | | | | |
|------|---------------------------|-------|-----------|--------|---|
| CCSA | CCSA-TSD-DS-24.610 | 8.4.0 | Published | Jun 12 | http://www.ccsa.org.cn/english/tc/files.php?docpath=/ITU-R/M.1457/M.1457-12/DS |
| ETSI | ETSI TS 124 610 | 8.5.0 | Published | Jan 13 | http://www.etsi.org/deliver/etsi_ts/124600_124699/124610/08.05.00_60/ |
| TTC | TS-3GA-24.610(Rel8)v8.5.0 | 8.5.0 | Approved | Jun 13 | http://www.ttc.or.jp/jp/document_list/free/3gpps2013/TS/TS-3GA-24.610(Rel8)v8.5.0.pdf |

Release 9

| | | | | | |
|------|---------------------------|-------|-----------|--------|---|
| ATIS | ATIS.3GPP.24.610V920-2014 | 9.2.0 | Approved | May 14 | https://www.atis.org/docstore/default.aspx |
| CCSA | CCSA-TSD-DS-24.610 | 9.1.0 | Published | Jun 12 | http://www.ccsa.org.cn/english/tc/files.php?docpath=/ITU-R/M.1457/M.1457-12/DS |
| ETSI | ETSI TS 124 610 | 9.2.0 | Published | Jan 13 | http://www.etsi.org/deliver/etsi_ts/124600_124699/124610/09.02.00_60/ |
| TTA | TTAT.3G-24.610(R9-9.0.0) | 9.0.0 | Approved | Jul 10 | http://www.tta.or.kr/data/ttasDown.jsp?where=14688&pk_num=TTAT.3G-24.610(R9-9.0.0) |
| TTC | TS-3GA-24.610(Rel9)v9.2.0 | 9.2.0 | Approved | Jun 13 | http://www.ttc.or.jp/jp/document_list/free/3gpps2013/TS/TS-3GA-24.610(Rel9)v9.2.0.pdf |

Release 10

| | | | | | |
|------|-----------------------------|--------|-----------|--------|---|
| ATIS | ATIS.3GPP.24.610V1010-2014 | 10.1.0 | Approved | May 14 | https://www.atis.org/docstore/default.aspx |
| CCSA | CCSA-TSD-DS-24.610 | 10.0.0 | Published | Jun 12 | http://www.ccsa.org.cn/english/tc/files.php?docpath=/ITU-R/M.1457/M.1457-12/DS |
| ETSI | ETSI TS 124 610 | 10.1.0 | Published | Jan 13 | http://www.etsi.org/deliver/etsi_ts/124600_124699/124610/10.01.00_60/ |
| TTA | TTAT.3G-24.610(R10-10.0.0) | 10.0.0 | Approved | Apr 12 | http://www.tta.or.kr/data/ttasDown.jsp?where=14688&pk_num=TTAT.3G-24.610(R10-10.0.0) |
| TTC | TS-3GA-24.610(Rel10)v10.1.0 | 10.1.0 | Approved | Jun 13 | http://www.ttc.or.jp/jp/document_list/free/3gpps2013/TS/TS-3GA-24.610(Rel10)v10.1.0.pdf |

Release 11

| | | | | | |
|------|-----------------------------|--------|-----------|--------|---|
| ATIS | ATIS.3GPP.24.610V1120-2014 | 11.2.0 | Approved | May 14 | https://www.atis.org/docstore/default.aspx |
| ETSI | ETSI TS 124 610 | 11.2.0 | Published | Jan 13 | http://www.etsi.org/deliver/etsi_ts/124600_124699/124610/11.02.00_60/ |
| TTA | TTAT.3G-24.610(R11-11.2.0) | 11.2.0 | published | Aug 13 | http://www.tta.or.kr/data/ttasDown.jsp?where=14688&pk_num=TTAT.3G-24.610(R11-11.2.0) |
| TTC | TS-3GA-24.610(Rel11)v11.2.0 | 11.2.0 | Approved | Jun 13 | http://www.ttc.or.jp/jp/document_list/free/3gpps2013/TS/TS-3GA-24.610(Rel11)v11.2.0.pdf |

5.1.2.12.107 TS 24.611**Anonymous Communication Rejection (ACR) and Communication Barring (CB) using IP Multimedia (IM) Core Network (CN) subsystem; Protocol specification**

This document specifies the stage three, Protocol Description of the Anonymous Communication Rejection (ACR) and Communication Barring (CB) supplementary service, based on stage one and two of the ISDN supplementary service Anonymous Call Rejection (ACR), Incoming Communication Barring (ICB) and Outgoing Communication Barring (OCB). It provides the protocol details in the IP Multimedia (IM) Core Network (CN) subsystem based on the Session Initiation Protocol (SIP) and the Session Description Protocol (SDP).

| SDO (2) | Document No. | Version | Status | Issued date | Location (1) |
|-------------------|-----------------------------|---------|-----------|-------------|---|
| Release 8 | | | | | |
| CCSA | CCSA-TSD-DS-24.611 | 8.4.0 | Published | Jun 12 | http://www.ccsa.org.cn/english/tc/files.php?docpath=/ITU-R/M.1457/M.1457-12/DS |
| ETSI | ETSI TS 124 611 | 8.4.0 | Published | Jan 12 | http://www.etsi.org/deliver/etsi_ts/124600_124699/124611/08.04.00_60/ |
| TTC | TS-3GA-24.611(Rel8)v8.4.0 | 8.4.0 | Approved | Feb 12 | http://www.ttc.or.jp/j/document_list/free/3gpps2012/TS/TS-3GA-24.611(Rel8)v8.4.0.pdf |
| Release 9 | | | | | |
| ATIS | ATIS.3GPP.24.611V950-2014 | 9.5.0 | Approved | May 14 | https://www.atis.org/docstore/default.aspx |
| CCSA | CCSA-TSD-DS-24.611 | 9.5.0 | Published | Jun 12 | http://www.ccsa.org.cn/english/tc/files.php?docpath=/ITU-R/M.1457/M.1457-12/DS |
| ETSI | ETSI TS 124 611 | 9.5.0 | Published | Jan 12 | http://www.etsi.org/deliver/etsi_ts/124600_124699/124611/09.05.00_60/ |
| TTA | TTAT.3G-24.611(R9-9.3.0) | 9.3.0 | Approved | Jul 10 | http://www.tta.or.kr/data/ttasDown.jsp?where=14688&pk_num=TTAT.3G-24.611(R9-9.3.0) |
| TTC | TS-3GA-24.611(Rel9)v9.5.0 | 9.5.0 | Approved | Feb 12 | http://www.ttc.or.jp/j/document_list/free/3gpps2012/TS/TS-3GA-24.611(Rel9)v9.5.0.pdf |
| Release 10 | | | | | |
| ATIS | ATIS.3GPP.24.611V1020-2014 | 10.2.0 | Approved | May 14 | https://www.atis.org/docstore/default.aspx |
| CCSA | CCSA-TSD-DS-24.611 | 10.2.0 | Published | Jun 12 | http://www.ccsa.org.cn/english/tc/files.php?docpath=/ITU-R/M.1457/M.1457-12/DS |
| ETSI | ETSI TS 124 611 | 10.2.0 | Published | Jan 12 | http://www.etsi.org/deliver/etsi_ts/124600_124699/124611/10.02.00_60/ |
| TTA | TTAT.3G-24.611(R10-10.2.0) | 10.2.0 | Approved | Aug 12 | http://www.tta.or.kr/data/ttasDown.jsp?where=14688&pk_num=TTAT.3G-24.611(R10-10.2.0) |
| TTC | TS-3GA-24.611(Rel10)v10.2.0 | 10.2.0 | Approved | Feb 12 | http://www.ttc.or.jp/j/document_list/free/3gpps2012/TS/TS-3GA-24.611(Rel10)v10.2.0.pdf |
| Release 11 | | | | | |
| ATIS | ATIS.3GPP.24.611V1120-2014 | 11.2.0 | Approved | May 14 | https://www.atis.org/docstore/default.aspx |
| ETSI | ETSI TS 124 611 | 11.2.0 | Published | Oct 12 | http://www.etsi.org/deliver/etsi_ts/124600_124699/124611/11.02.00_60/ |
| TTA | TTAT.3G-24.611(R11-11.2.0) | 11.2.0 | published | Aug 13 | http://www.tta.or.kr/data/ttasDown.jsp?where=14688&pk_num=TTAT.3G-24.611(R11-11.2.0) |
| TTC | TS-3GA-24.611(Rel11)v11.2.0 | 11.2.0 | Approved | Jun 13 | http://www.ttc.or.jp/j/document_list/free/3gpps2013/TS/TS-3GA-24.611(Rel11)v11.2.0.pdf |

5.1.2.12.108 TS 24.615**Communication Waiting (CW) using IP Multimedia (IM) Core Network (CN) subsystem; Protocol Specification**

This document specifies the stage 3, Protocol Description of the Communication Waiting (CW) service, based on Stage 1 and Stage 2 of the ISDN call waiting supplementary services. It provides the protocol details in the IP Multimedia (IM) Core Network (CN) subsystem based on the Session Initiation Protocol (SIP) and the Session Description Protocol (SDP).

| SDO (2) | Document No. | Version | Status | Issued date | Location (1) |
|-------------------|-----------------------------|---------|-----------|-------------|---|
| Release 8 | | | | | |
| CCSA | CCSA-TSD-DS-24.615 | 8.6.0 | Published | Jun 12 | http://www.ccsa.org.cn/english/tc/files.php?docpath=/ITU-R/M.1457/M.1457-12/DS |
| ETSI | ETSI TS 124 615 | 8.8.0 | Published | Apr 13 | http://www.etsi.org/deliver/etsi_ts/124600_124699/124615/08.08.00_60/ |
| TTC | TS-3GA-24.615(Rel8)v8.8.0 | 8.8.0 | Approved | Jun 13 | http://www.ttc.or.jp/jp/document_list/free/3gpps2013/TS/TS-3GA-24.615(Rel8)v8.8.0.pdf |
| Release 9 | | | | | |
| ATIS | ATIS.3GPP.24.615V970-2014 | 9.7.0 | Approved | May 14 | https://www.atis.org/docstore/default.aspx |
| CCSA | CCSA-TSD-DS-24.615 | 9.5.0 | Published | Jun 12 | http://www.ccsa.org.cn/english/tc/files.php?docpath=/ITU-R/M.1457/M.1457-12/DS |
| ETSI | ETSI TS 124 615 | 9.7.0 | Published | Apr 13 | http://www.etsi.org/deliver/etsi_ts/124600_124699/124615/09.07.00_60/ |
| TTA | TTAT.3G-24.615(R9-9.1.0) | 9.1.0 | Approved | Jul 10 | http://www.tta.or.kr/data/ttasDown.jsp?where=14688&pk_num=TTAT.3G-24.615(R9-9.1.0) |
| TTC | TS-3GA-24.615(Rel9)v9.7.0 | 9.7.0 | Approved | Jun 13 | http://www.ttc.or.jp/jp/document_list/free/3gpps2013/TS/TS-3GA-24.615(Rel9)v9.7.0.pdf |
| Release 10 | | | | | |
| ATIS | ATIS.3GPP.24.615V1040-2014 | 10.4.0 | Approved | May 14 | https://www.atis.org/docstore/default.aspx |
| CCSA | CCSA-TSD-DS-24.615 | 10.2.0 | Published | Jun 12 | http://www.ccsa.org.cn/english/tc/files.php?docpath=/ITU-R/M.1457/M.1457-12/DS |
| ETSI | ETSI TS 124 615 | 10.4.0 | Published | Apr 13 | http://www.etsi.org/deliver/etsi_ts/124600_124699/124615/10.04.00_60/ |
| TTA | TTAT.3G-24.615(R10-10.2.0) | 10.2.0 | Approved | Aug 12 | http://www.tta.or.kr/data/ttasDown.jsp?where=14688&pk_num=TTAT.3G-24.615(R10-10.2.0) |
| TTC | TS-3GA-24.615(Rel10)v10.4.0 | 10.4.0 | Approved | Jun 13 | http://www.ttc.or.jp/jp/document_list/free/3gpps2013/TS/TS-3GA-24.615(Rel10)v10.4.0.pdf |
| Release 11 | | | | | |
| ATIS | ATIS.3GPP.24.615V1120-2014 | 11.2.0 | Approved | May 14 | https://www.atis.org/docstore/default.aspx |
| ETSI | ETSI TS 124 615 | 11.2.0 | Published | Apr 13 | http://www.etsi.org/deliver/etsi_ts/124600_124699/124615/11.02.00_60/ |
| TTA | TTAT.3G-24.615(R11-11.2.0) | 11.2.0 | published | Aug 13 | http://www.tta.or.kr/data/ttasDown.jsp?where=14688&pk_num=TTAT.3G-24.615(R11-11.2.0) |
| TTC | TS-3GA-24.615(Rel11)v11.2.0 | 11.2.0 | Approved | Jun 13 | http://www.ttc.or.jp/jp/document_list/free/3gpps2013/TS/TS-3GA-24.615(Rel11)v11.2.0.pdf |

5.1.2.12.109 TS 24.616

Malicious Communication Identification (MCID) using IP Multimedia (IM) Core Network (CN) subsystem; Protocol specification

This document specifies the stage three Protocol Description of the Malicious Call Communication Identification (MCID) service based on the stage one and two of ISDN Malicious Call Identification supplementary service. It provides the protocol details in the IP Multimedia (IM) Core Network (CN) subsystem based on the Session Initiation Protocol (SIP) and the Session Description Protocol (SDP). The MCID service will store session related information independent of the service requested.

| SDO (2) | Document No. | Version | Status | Issued date | Location (1) |
|------------------|---------------------------|---------|-----------|-------------|---|
| Release 8 | | | | | |
| CCSA | CCSA-TSD-DS-24.616 | 8.7.0 | Published | Jun 12 | http://www.ccsa.org.cn/english/tc/files.php?docpath=/ITU-R/M.1457/M.1457-12/DS |
| ETSI | ETSI TS 124 616 | 8.7.0 | Published | Oct 10 | http://www.etsi.org/deliver/etsi_ts/124600_124699/124616/08.07.00_60/ |
| TTC | TS-3GA-24.616(Rel8)v8.7.0 | 8.7.0 | Approved | Dec 10 | http://www.ttc.or.jp/jp/document_list/free/3gpps2010/TS/TS-3GA-24.616(Rel8)v8.7.0.pdf |
| Release 9 | | | | | |
| ATIS | ATIS.3GPP.24.616V920-2012 | 9.2.0 | Approved | Jul 12 | https://www.atis.org/docstore/default.aspx |
| CCSA | CCSA-TSD-DS-24.616 | 9.2.0 | Published | Jun 12 | http://www.ccsa.org.cn/english/tc/files.php?docpath=/ITU-R/M.1457/M.1457-12/DS |
| ETSI | ETSI TS 124 616 | 9.2.0 | Published | Oct 10 | http://www.etsi.org/deliver/etsi_ts/124600_124699/124616/09.02.00_60/ |
| TTA | TTAT.3G-24.616(R9-9.1.0) | 9.1.0 | Approved | Jul 10 | http://www.tta.or.kr/data/ttasDown.jsp?where=14688&pk_num=TTAT.3G-24.616(R9-9.1.0) |

| | | | | | |
|-------------------|-----------------------------|--------|-----------|--------|---|
| TTC | TS-3GA-24.616(Rel9)v9.2.0 | 9.2.0 | Approved | Dec 10 | http://www.ttc.or.jp/j/document_list/free/3gpps2010/TS/TS-3GA-24.616(Rel9)v9.2.0.pdf |
| Release 10 | | | | | |
| ATIS | ATIS.3GPP.24.616V1000-2012 | 10.0.0 | Approved | Jul 12 | https://www.atis.org/docstore/default.aspx |
| CCSA | CCSA-TSD-DS-24.616 | 10.0.0 | Published | Jun 12 | http://www.ccsa.org.cn/english/tc/files.php?docpath=/ITU-R/M.1457/M.1457-12/DS |
| ETSI | ETSI TS 124 616 | 10.0.0 | Published | Mar 11 | http://www.etsi.org/deliver/etsi_ts/124600_124699/124616/10.00.00_60/ |
| TTA | TTAT.3G-24.616(R10-10.0.0) | 10.0.0 | Approved | Apr 12 | http://www.tta.or.kr/data/ttasDown.jsp?where=14688&pk_num=TTAT.3G-24.616(R10-10.0.0) |
| TTC | TS-3GA-24.616(Rel10)v10.0.0 | 10.0.0 | Approved | Jun 11 | http://www.ttc.or.jp/j/document_list/free/3gpps2011/TS/TS-3GA-24.616(Rel10)v10.0.0.pdf |
| Release 11 | | | | | |
| ATIS | ATIS.3GPP.24.616V1110-2014 | 11.1.0 | Approved | May 14 | https://www.atis.org/docstore/default.aspx |
| ETSI | ETSI TS 124 616 | 11.1.0 | Published | Jan 13 | http://www.etsi.org/deliver/etsi_ts/124600_124699/124616/11.01.00_60/ |
| TTA | TTAT.3G-24.616(R11-11.1.0) | 11.1.0 | published | Aug 13 | http://www.tta.or.kr/data/ttasDown.jsp?where=14688&pk_num=TTAT.3G-24.616(R11-11.1.0) |
| TTC | TS-3GA-24.616(Rel11)v11.1.0 | 11.1.0 | Approved | Jun 13 | http://www.ttc.or.jp/j/document_list/free/3gpps2013/TS/TS-3GA-24.616(Rel11)v11.1.0.pdf |

5.1.2.12.110 TS 24.623

Extensible Markup Language (XML) Configuration Access Protocol (XCAP) over the Ut interface for Manipulating Supplementary Services

This document defines a protocol used for manipulating data related to supplementary services. The protocol is based on the eXtensible Markup Language (XML) Configuration Access Protocol (XCAP) RFC 4825. A new XCAP application usage is defined for the purpose of manipulating the supplementary services data. The common XCAP related aspects that are applicable to supplementary services are specified in this document. The protocol allows authorized users to manipulate service related data either when they are connected to IMS or when they are connected to non IMS networks (e.g. the public Internet).

| SDO (2) | Document No. | Version | Status | Issued date | Location (1) |
|-------------------|-----------------------------|---------|-----------|-------------|---|
| Release 8 | | | | | |
| CCSA | CCSA-TSD-DS-24.623 | 8.4.0 | Published | Jun 12 | http://www.ccsa.org.cn/english/tc/files.php?docpath=/ITU-R/M.1457/M.1457-12/DS |
| ETSI | ETSI TS 124 623 | 8.5.0 | Published | Mar 12 | http://www.etsi.org/deliver/etsi_ts/124600_124699/124623/08.05.00_60/ |
| TTC | TS-3GA-24.623(Rel8)v8.5.0 | 8.5.0 | Approved | Dec 12 | http://www.ttc.or.jp/j/document_list/free/3gpps2012/TS/TS-3GA-24.623(Rel8)v8.5.0.pdf |
| Release 9 | | | | | |
| ATIS | ATIS.3GPP.24.623V950-2014 | 9.5.0 | Approved | May 14 | https://www.atis.org/docstore/default.aspx |
| CCSA | CCSA-TSD-DS-24.623 | 9.4.0 | Published | Jun 12 | http://www.ccsa.org.cn/english/tc/files.php?docpath=/ITU-R/M.1457/M.1457-12/DS |
| ETSI | ETSI TS 124 623 | 9.5.0 | Published | Mar 12 | http://www.etsi.org/deliver/etsi_ts/124600_124699/124623/09.05.00_60/ |
| TTA | TTAT.3G-24.623(R9-9.2.0) | 9.2.0 | Approved | Jul 10 | http://www.tta.or.kr/data/ttasDown.jsp?where=14688&pk_num=TTAT.3G-24.623(R9-9.2.0) |
| TTC | TS-3GA-24.623(Rel9)v9.5.0 | 9.5.0 | Approved | Jun 12 | http://www.ttc.or.jp/j/document_list/free/3gpps2012/TS/TS-3GA-24.623(Rel9)v9.5.0.pdf |
| Release 10 | | | | | |
| ATIS | ATIS.3GPP.24.623V1030-2014 | 10.3.0 | Approved | May 14 | https://www.atis.org/docstore/default.aspx |
| CCSA | CCSA-TSD-DS-24.623 | 10.2.0 | Published | Jun 12 | http://www.ccsa.org.cn/english/tc/files.php?docpath=/ITU-R/M.1457/M.1457-12/DS |
| ETSI | ETSI TS 124 623 | 10.3.0 | Published | Mar 12 | http://www.etsi.org/deliver/etsi_ts/124600_124699/124623/10.03.00_60/ |
| TTA | TTAT.3G-24.623(R10-10.3.0) | 10.3.0 | Approved | Aug 12 | http://www.tta.or.kr/data/ttasDown.jsp?where=14688&pk_num=TTAT.3G-24.623(R10-10.3.0) |
| TTC | TS-3GA-24.623(Rel10)v10.3.0 | 10.3.0 | Approved | Jun 12 | http://www.ttc.or.jp/j/document_list/free/3gpps2012/TS/TS-3GA-24.623(Rel10)v10.3.0.pdf |
| Release 11 | | | | | |
| ATIS | ATIS.3GPP.24.623V1110-2014 | 11.1.0 | Approved | May 14 | https://www.atis.org/docstore/default.aspx |
| ETSI | ETSI TS 124 623 | 11.1.0 | Published | Jan 13 | http://www.etsi.org/deliver/etsi_ts/124600_124699/124623/11.01.00_60/ |

| | | | | | |
|-----|-----------------------------|--------|-----------|--------|---|
| TTA | TTAT.3G-24.623(R11-11.1.0) | 11.1.0 | published | Aug 13 | http://www.tta.or.kr/data/ttasDown.jsp?where=14688&pk_num=TTAT.3G-24.623(R11-11.1.0) |
| TTC | TS-3GA-24.623(Rel11)v11.1.0 | 11.1.0 | Approved | Jun 13 | http://www.ttc.or.jp/j/document_list/free/3gpps2013/TS/TS-3GA-24.623(Rel11)v11.1.0.pdf |

5.1.2.12.111 TS 24.628

Common Basic Communication procedures using IP Multimedia (IM) Core Network (CN) subsystem; Protocol specification

This document describes the stage three protocol for basic communication procedures common to several services in the IP Multimedia (IM) Core Network (CN) subsystem when at least one Application Server (AS) is included in the communication. The common procedures are based on stage three specifications for supplementary services.

| SDO (2) | Document No. | Version | Status | Issued date | Location (1) |
|-------------------|-----------------------------|---------|-----------|-------------|---|
| Release 8 | | | | | |
| CCSA | CCSA-TSD-DS-24.628 | 8.5.0 | Published | Jun 12 | http://www.ccsa.org.cn/english/tc/files.php?docpath=/ITU-R/M.1457/M.1457-12/DS |
| ETSI | ETSI TS 124 628 | 8.6.0 | Published | Jan 13 | http://www.etsi.org/deliver/etsi_ts/124600_124699/124628/08.06.00_60/ |
| TTC | TS-3GA-24.628(Rel8)v8.6.0 | 8.6.0 | Approved | Jun 13 | http://www.ttc.or.jp/j/document_list/free/3gpps2013/TS/TS-3GA-24.628(Rel8)v8.6.0.pdf |
| Release 9 | | | | | |
| ATIS | ATIS.3GPP.24.628V950-2014 | 9.5.0 | Approved | May 14 | https://www.atis.org/docstore/default.aspx |
| CCSA | CCSA-TSD-DS-24.628 | 9.4.0 | Published | Jun 12 | http://www.ccsa.org.cn/english/tc/files.php?docpath=/ITU-R/M.1457/M.1457-12/DS |
| ETSI | ETSI TS 124 628 | 9.5.0 | Published | Jan 13 | http://www.etsi.org/deliver/etsi_ts/124600_124699/124628/09.05.00_60/ |
| TTA | TTAT.3G-24.628(R9-9.1.0) | 9.1.0 | Approved | Jul 10 | http://www.tta.or.kr/data/ttasDown.jsp?where=14688&pk_num=TTAT.3G-24.628(R9-9.1.0) |
| TTC | TS-3GA-24.628(Rel9)v9.5.0 | 9.5.0 | Approved | Jun 13 | http://www.ttc.or.jp/j/document_list/free/3gpps2013/TS/TS-3GA-24.628(Rel9)v9.5.0.pdf |
| Release 10 | | | | | |
| ATIS | ATIS.3GPP.24.628V1030-2012 | 10.3.0 | Approved | Jul 12 | https://www.atis.org/docstore/default.aspx |
| CCSA | CCSA-TSD-DS-24.628 | 10.3.0 | Published | Jun 12 | http://www.ccsa.org.cn/english/tc/files.php?docpath=/ITU-R/M.1457/M.1457-12/DS |
| ETSI | ETSI TS 124 628 | 10.4.0 | Published | Jan 13 | http://www.etsi.org/deliver/etsi_ts/124600_124699/124628/10.04.00_60/ |
| TTA | TTAT.3G-24.628(R10-10.3.0) | 10.3.0 | Approved | Apr 12 | http://www.tta.or.kr/data/ttasDown.jsp?where=14688&pk_num=TTAT.3G-24.628(R10-10.3.0) |
| TTC | TS-3GA-24.628(Rel10)v10.4.0 | 10.4.0 | Approved | Jun 13 | http://www.ttc.or.jp/j/document_list/free/3gpps2013/TS/TS-3GA-24.628(Rel10)v10.4.0.pdf |
| Release 11 | | | | | |
| ATIS | ATIS.3GPP.24.628V1120-2014 | 11.2.0 | Approved | May 14 | https://www.atis.org/docstore/default.aspx |
| CCSA | CCSA-TSD-DS-24.628 | 11.2.0 | Published | Jun 14 | http://www.ccsa.org.cn/english/tc/files.php?docpath=/ITU-R/M.1457/M.1457-12/DS |
| ETSI | ETSI TS 124 628 | 11.2.0 | Published | Apr 13 | http://www.etsi.org/deliver/etsi_ts/124600_124699/124628/11.02.00_60/ |
| TTA | TTAT.3G-24.628(R11-11.2.0) | 11.2.0 | published | Aug 13 | http://www.tta.or.kr/data/ttasDown.jsp?where=14688&pk_num=TTAT.3G-24.628(R11-11.2.0) |
| TTC | TS-3GA-24.628(Rel11)v11.2.0 | 11.2.0 | Approved | Jun 13 | http://www.ttc.or.jp/j/document_list/free/3gpps2013/TS/TS-3GA-24.628(Rel11)v11.2.0.pdf |

5.1.2.12.112 TS 24.629

Explicit Communication Transfer (ECT) using IP Multimedia (IM) Core Network (CN) subsystem; Protocol specification

This document specifies the stage three (protocol description) of the Explicit Communication transfer (ECT) supplementary service, based on stage one and two of the ISDN ECT supplementary service. It provides the protocol details in the IP Multimedia (IM) Core Network (CN) subsystem based on the Session Initiation Protocol (SIP) and the Session Description Protocol (SDP).

| SDO (2) | Document No. | Version | Status | Issued date | Location (1) |
|-------------------|-----------------------------|---------|-----------|-------------|---|
| Release 8 | | | | | |
| CCSA | CCSA-TSD-DS-24.629 | 8.3.0 | Published | Jun 12 | http://www.ccsa.org.cn/english/tc/files.php?docpath=/ITU-R/M.1457/M.1457-12/DS |
| ETSI | ETSI TS 124 629 | 8.4.0 | Published | Jan 13 | http://www.etsi.org/deliver/etsi_ts/124600_124699/124629/08.04.00_60/ |
| TTC | TS-3GA-24.629(Rel8)v8.4.0 | 8.4.0 | Approved | Jun 13 | http://www.ttc.or.jp/j/document_list/free/3gpps2013/TS/TS-3GA-24.629(Rel8)v8.4.0.pdf |
| Release 9 | | | | | |
| ATIS | ATIS.3GPP.24.629V910-2014 | 9.1.0 | Approved | May 14 | https://www.atis.org/docstore/default.aspx |
| CCSA | CCSA-TSD-DS-24.629 | 9.0.0 | Published | Jun 12 | http://www.ccsa.org.cn/english/tc/files.php?docpath=/ITU-R/M.1457/M.1457-12/DS |
| ETSI | ETSI TS 124 629 | 9.1.0 | Published | Jan 13 | http://www.etsi.org/deliver/etsi_ts/124600_124699/124629/09.01.00_60/ |
| TTA | TTAT.3G-24.629(R9-9.0.0) | 9.0.0 | Approved | Jul 10 | http://www.tta.or.kr/data/ttasDown.jsp?where=14688&pk_num=TTAT.3G-24.629(R9-9.0.0) |
| TTC | TS-3GA-24.629(Rel9)v9.1.0 | 9.1.0 | Approved | Jun 13 | http://www.ttc.or.jp/j/document_list/free/3gpps2013/TS/TS-3GA-24.629(Rel9)v9.1.0.pdf |
| Release 10 | | | | | |
| ATIS | ATIS.3GPP.24.629V1020-2014 | 10.2.0 | Approved | May 14 | https://www.atis.org/docstore/default.aspx |
| CCSA | CCSA-TSD-DS-24.629 | 10.0.0 | Published | Jun 12 | http://www.ccsa.org.cn/english/tc/files.php?docpath=/ITU-R/M.1457/M.1457-12/DS |
| ETSI | ETSI TS 124 629 | 10.2.0 | Published | Apr 13 | http://www.etsi.org/deliver/etsi_ts/124600_124699/124629/10.02.00_60/ |
| TTA | TTAT.3G-24.629(R10-10.0.0) | 10.0.0 | Approved | Apr 12 | http://www.tta.or.kr/data/ttasDown.jsp?where=14688&pk_num=TTAT.3G-24.629(R10-10.0.0) |
| TTC | TS-3GA-24.629(Rel10)v10.2.0 | 10.2.0 | Approved | Jun 13 | http://www.ttc.or.jp/j/document_list/free/3gpps2013/TS/TS-3GA-24.629(Rel10)v10.2.0.pdf |
| Release 11 | | | | | |
| ATIS | ATIS.3GPP.24.629V1120-2014 | 11.2.0 | Approved | May 14 | https://www.atis.org/docstore/default.aspx |
| CCSA | CCSA-TSD-DS-24.629 | 11.3.0 | Published | Jun 14 | http://www.ccsa.org.cn/english/tc/files.php?docpath=/ITU-R/M.1457/M.1457-12/DS |
| ETSI | ETSI TS 124 629 | 11.2.0 | Published | Apr 13 | http://www.etsi.org/deliver/etsi_ts/124600_124699/124629/11.02.00_60/ |
| TTA | TTAT.3G-24.629(R11-11.2.0) | 11.2.0 | published | Aug 13 | http://www.tta.or.kr/data/ttasDown.jsp?where=14688&pk_num=TTAT.3G-24.629(R11-11.2.0) |
| TTC | TS-3GA-24.629(Rel11)v11.2.0 | 11.2.0 | Approved | Jun 13 | http://www.ttc.or.jp/jp/document_list/free/3gpps2013/TS/TS-3GA-24.629(Rel11)v11.2.0.pdf |

5.1.2.12.113 TS 24.642

Completion of Communications to Busy Subscriber (CCBS) and Completion of Communications by No Reply (CCNR) using IP Multimedia (IM) Core Network (CN) subsystem; Protocol specification

This document specifies the stage three Protocol Description of the Completion of Communications to Busy Subscriber (CCBS) service and the Completion of Communication on no Reply (CCNR) service, based on stage one and two of the ISDN supplementary services. It provides the protocol details in the IP Multimedia (IM) Core Network (CN) subsystem based on the Session Initiation Protocol (SIP) and the Session Description Protocol (SDP).

| SDO (2) | Document No. | Version | Status | Issued date | Location (1) |
|------------------|----------------------------|---------|-----------|-------------|---|
| Release 8 | | | | | |
| CCSA | CCSA-TSD-DS-24.642 | 8.9.0 | Published | Jun 12 | http://www.ccsa.org.cn/english/tc/files.php?docpath=/ITU-R/M.1457/M.1457-12/DS |
| ETSI | ETSI TS 124 642 | 8.10.0 | Published | Jul 12 | http://www.etsi.org/deliver/etsi_ts/124600_124699/124642/08.10.00_60/ |
| TTC | TS-3GA-24.642(Rel8)v8.10.0 | 8.10.0 | Approved | Sep 12 | http://www.ttc.or.jp/jp/document_list/free/3gpps2012/TS/TS-3GA-24.642(Rel8)v8.10.0.pdf |
| Release 9 | | | | | |
| ATIS | ATIS.3GPP.24.642V990-2014 | 9.9.0 | Approved | May 14 | https://www.atis.org/docstore/default.aspx |
| CCSA | CCSA-TSD-DS-24.642 | 9.8.0 | Published | Jun 12 | http://www.ccsa.org.cn/english/tc/files.php?docpath=/ITU-R/M.1457/M.1457-12/DS |
| ETSI | ETSI TS 124 642 | 9.9.0 | Published | Jul 12 | http://www.etsi.org/deliver/etsi_ts/124600_124699/124642/09.09.00_60/ |
| TTA | TTAT.3G-24.642(R9-9.2.0) | 9.2.0 | Approved | Jul 10 | http://www.tta.or.kr/data/ttasDown.jsp?where=14688&pk_num=TTAT.3G-24.642(R9-9.2.0) |

| | | | | | |
|-------------------|-----------------------------|--------|-----------|--------|---|
| TTC | TS-3GA-24.642(Rel9)v9.9.0 | 9.9.0 | Approved | Sep 12 | http://www.ttc.or.jp/jp/document_list/free/3gpps2012/TS/TS-3GA-24.642(Rel9)v9.8.0.pdf |
| Release 10 | | | | | |
| ATIS | ATIS.3GPP.24.642V1060-2014 | 10.6.0 | Approved | May 14 | https://www.atis.org/docstore/default.aspx |
| CCSA | CCSA-TSD-DS-24.642 | 10.5.0 | Published | Jun 12 | http://www.ccsa.org.cn/english/tc/files.php?docpath=/ITU-R/M.1457/M.1457-12/DS |
| ETSI | ETSI TS 124 642 | 10.6.0 | Published | Jul 12 | http://www.etsi.org/deliver/etsi_ts/124600_124699/124642/10.06.00_60/ |
| TTA | TTAT.3G-24.642(R10-10.5.0) | 10.5.0 | Approved | Aug 12 | http://www.tta.or.kr/data/ttasDown.jsp?where=14688&pk_num=TTAT.3G-24.642(R10-10.5.0) |
| TTC | TS-3GA-24.642(Rel10)v10.6.0 | 10.6.0 | Approved | Sep 12 | http://www.ttc.or.jp/jp/document_list/free/3gpps2012/TS/TS-3GA-24.642(Rel10)v10.5.0.pdf |
| Release 11 | | | | | |
| ATIS | ATIS.3GPP.24.642V1130-2014 | 11.3.0 | Approved | May 14 | https://www.atis.org/docstore/default.aspx |
| CCSA | CCSA-TSD-DS-24.642 | 11.4.0 | Published | Jun 14 | http://www.ccsa.org.cn/english/tc/files.php?docpath=/ITU-R/M.1457/M.1457-12/DS |
| ETSI | ETSI TS 124 642 | 11.3.0 | Published | Jan 13 | http://www.etsi.org/deliver/etsi_ts/124600_124699/124642/11.03.00_60/ |
| TTA | TTAT.3G-24.642(R11-11.3.0) | 11.3.0 | published | Aug 13 | http://www.tta.or.kr/data/ttasDown.jsp?where=14688&pk_num=TTAT.3G-24.642(R11-11.3.0) |
| TTC | TS-3GA-24.642(Rel11)v11.3.0 | 11.3.0 | Approved | Jun 13 | http://www.ttc.or.jp/jp/document_list/free/3gpps2013/TS/TS-3GA-24.642(Rel11)v11.3.0.pdf |

5.1.2.12.114 TS 24.647

Advice Of Charge (AOC) using IP Multimedia (IM) Core Network (CN) subsystem

This document specifies the stage three Protocol Description of the Advice Of Charge (AOC) service, based on Stage 1 and 2 of the ISDN Supplementary Service Advice Of Charge for all calls (permanent mode). It provides the protocol details in the IP Multimedia (IM) Core Network (CN) subsystem based on the Session Initiation Protocol (SIP) and the Session Description Protocol (SDP).

| SDO (2) | Document No. | Version | Status | Issued date | Location (1) |
|-------------------|-----------------------------|---------|-----------|-------------|---|
| Release 8 | | | | | |
| CCSA | CCSA-TSD-DS-24.647 | 8.4.0 | Published | Jun 12 | http://www.ccsa.org.cn/english/tc/files.php?docpath=/ITU-R/M.1457/M.1457-12/DS |
| ETSI | ETSI TS 124 647 | 8.4.0 | Published | Oct 10 | http://www.etsi.org/deliver/etsi_ts/124600_124699/124647/08.04.00_60/ |
| TTC | TS-3GA-24.647(Rel8)v8.4.0 | 8.4.0 | Approved | Dec 10 | http://www.ttc.or.jp/j/document_list/free/3gpps2010/TS/TS-3GA-24.647(Rel8)v8.4.0.pdf |
| Release 9 | | | | | |
| ATIS | ATIS.3GPP.24.647V920-2012 | 9.2.0 | Approved | Jul 12 | https://www.atis.org/docstore/default.aspx |
| CCSA | CCSA-TSD-DS-24.647 | 9.2.0 | Published | Jun 12 | http://www.ccsa.org.cn/english/tc/files.php?docpath=/ITU-R/M.1457/M.1457-12/DS |
| ETSI | ETSI TS 124 647 | 9.2.0 | Published | Oct 10 | http://www.etsi.org/deliver/etsi_ts/124600_124699/124647/09.02.00_60/ |
| TTA | TTAT.3G-24.647(R9-9.1.0) | 9.1.0 | Approved | Jul 10 | http://www.tta.or.kr/data/ttasDown.jsp?where=14688&pk_num=TTAT.3G-24.647(R9-9.1.0) |
| TTC | TS-3GA-24.647(Rel9)v9.2.0 | 9.2.0 | Approved | Dec 10 | http://www.ttc.or.jp/j/document_list/free/3gpps2010/TS/TS-3GA-24.647(Rel9)v9.2.0.pdf |
| Release 10 | | | | | |
| ATIS | ATIS.3GPP.24.647V1020-2012 | 10.2.0 | Approved | Jul 12 | https://www.atis.org/docstore/default.aspx |
| CCSA | CCSA-TSD-DS-24.647 | 10.2.0 | Published | Jun 12 | http://www.ccsa.org.cn/english/tc/files.php?docpath=/ITU-R/M.1457/M.1457-12/DS |
| ETSI | ETSI TS 124 647 | 10.2.0 | Published | Jun 11 | http://www.etsi.org/deliver/etsi_ts/124600_124699/124647/10.02.00_60/ |
| TTA | TTAT.3G-24.647(R10-10.2.0) | 10.2.0 | Approved | Apr 12 | http://www.tta.or.kr/data/ttasDown.jsp?where=14688&pk_num=TTAT.3G-24.647(R10-10.2.0) |
| TTC | TS-3GA-24.647(Rel10)v10.2.0 | 10.2.0 | Approved | Aug 11 | http://www.ttc.or.jp/j/document_list/free/3gpps2011/TS/TS-3GA-24.647(Rel10)v10.2.0.pdf |
| Release 11 | | | | | |
| ATIS | ATIS.3GPP.24.647V1110-2014 | 11.1.0 | Approved | May 14 | https://www.atis.org/docstore/default.aspx |
| CCSA | CCSA-TSD-DS-24.647 | 11.1.0 | Published | Jun 14 | http://www.ccsa.org.cn/english/tc/files.php?docpath=/ITU-R/M.1457/M.1457-12/DS |
| ETSI | ETSI TS 124 647 | 11.1.0 | Published | Nov 12 | http://www.etsi.org/deliver/etsi_ts/124600_124699/124647/11.01.00_60/ |

| | | | | | |
|-----|-----------------------------|--------|-----------|--------|---|
| TTA | TTAT.3G-24.647(R11-11.1.0) | 11.1.0 | published | Aug 13 | http://www.tta.or.kr/data/ttasDown.jsp?where=14688&pk_num=TTAT.3G-24.647(R11-11.1.0) |
| TTC | TS-3GA-24.647(Rel11)v11.1.0 | 11.1.0 | Approved | Jun 13 | http://www.ttc.or.jp/j/document_list/free/3gpps2013/TS/TS-3GA-24.647(Rel11)v11.1.0.pdf |

5.1.2.12.115 TS 24.654

Protocol specification Closed User Group (CUG) using IP Multimedia (IM) Core Network (CN) subsystem; Protocol Specification

This document specifies the stage three Protocol Description of the Closed User Group (CUG) service, based on stage one and two of the ISDN Communication diversion supplementary services. It provides the protocol details in the IP Multimedia (IM) Core Network (CN) subsystem based on the Session Initiation Protocol (SIP) and the Session Description Protocol (SDP).

| SDO (2) | Document No. | Version | Status | Issued date | Location (1) |
|-------------------|-----------------------------|---------|-----------|-------------|---|
| Release 8 | | | | | |
| CCSA | CCSA-TSD-DS-24.654 | 8.3.0 | Published | Jun 12 | http://www.ccsa.org.cn/english/tc/files.php?docpath=/ITU-R/M.1457/M.1457-12/DS |
| ETSI | ETSI TS 124 654 | 8.6.0 | Published | Apr 13 | http://www.etsi.org/deliver/etsi_ts/124600_124699/124654/08.06.00_60/ |
| TTC | TS-3GA-24.654(Rel8)v8.6.0 | 8.6.0 | Approved | Jun 13 | http://www.ttc.or.jp/j/document_list/free/3gpps2013/TS/TS-3GA-24.654(Rel8)v8.6.0.pdf |
| Release 9 | | | | | |
| ATIS | ATIS.3GPP.24.654V940-2014 | 9.4.0 | Approved | May 14 | https://www.atis.org/docstore/default.aspx |
| CCSA | CCSA-TSD-DS-24.654 | 9.1.0 | Published | Jun 12 | http://www.ccsa.org.cn/english/tc/files.php?docpath=/ITU-R/M.1457/M.1457-12/DS |
| ETSI | ETSI TS 124 654 | 9.4.0 | Published | Apr 13 | http://www.etsi.org/deliver/etsi_ts/124600_124699/124654/09.04.00_60/ |
| TTA | TTAT.3G-24.654(R9-9.1.0) | 9.1.0 | Approved | Jul 10 | http://www.tta.or.kr/data/ttasDown.jsp?where=14688&pk_num=TTAT.3G-24.654(R9-9.1.0) |
| TTC | TS-3GA-24.654(Rel9)v9.4.0 | 9.4.0 | Approved | Jun 13 | http://www.ttc.or.jp/j/document_list/free/3gpps2013/TS/TS-3GA-24.654(Rel9)v9.4.0.pdf |
| Release 10 | | | | | |
| ATIS | ATIS.3GPP.24.654V1030-2014 | 10.3.0 | Approved | May 14 | https://www.atis.org/docstore/default.aspx |
| CCSA | CCSA-TSD-DS-24.654 | 10.0.0 | Published | Jun 12 | http://www.ccsa.org.cn/english/tc/files.php?docpath=/ITU-R/M.1457/M.1457-12/DS |
| ETSI | ETSI TS 124 654 | 10.3.0 | Published | Apr 13 | http://www.etsi.org/deliver/etsi_ts/124600_124699/124654/10.03.00_60/ |
| TTA | TTAT.3G-24.654(R10-10.1.0) | 10.1.0 | Approved | Aug 12 | http://www.tta.or.kr/data/ttasDown.jsp?where=14688&pk_num=TTAT.3G-24.654(R10-10.1.0) |
| TTC | TS-3GA-24.654(Rel10)v10.3.0 | 10.3.0 | Approved | Jun 13 | http://www.ttc.or.jp/j/document_list/free/3gpps2013/TS/TS-3GA-24.654(Rel10)v10.3.0.pdf |
| Release 11 | | | | | |
| ATIS | ATIS.3GPP.24.654V1110-2014 | 11.1.0 | Approved | May 14 | https://www.atis.org/docstore/default.aspx |
| CCSA | CCSA-TSD-DS-24.654 | 11.1.0 | Published | Jun 14 | http://www.ccsa.org.cn/english/tc/files.php?docpath=/ITU-R/M.1457/M.1457-12/DS |
| ETSI | ETSI TS 124 654 | 11.1.0 | Published | Apr 13 | http://www.etsi.org/deliver/etsi_ts/124600_124699/124654/11.01.00_60/ |
| TTA | TTAT.3G-24.654(R11-11.1.0) | 11.1.0 | published | Aug 13 | http://www.tta.or.kr/data/ttasDown.jsp?where=14688&pk_num=TTAT.3G-24.654(R11-11.1.0) |
| TTC | TS-3GA-24.654(Rel11)v11.1.0 | 11.1.0 | Approved | Jun 13 | http://www.ttc.or.jp/j/document_list/free/3gpps2013/TS/TS-3GA-24.654(Rel11)v11.1.0.pdf |

5.1.2.12.116 TS 27.005

Use of Data Terminal Equipment – Data Circuit terminating Equipment (DTE – DCE) interface for Short Message Service (SMS) and Cell Broadcast Service (CBS)

This document defines three interface protocols for control of SMS functions within a GSM/UMTS mobile telephone from a remote terminal via an asynchronous interface. The “block mode” protocol includes error protection and is suitable for use where the link may not be completely reliable. It is of particular use where control of remote devices is required. Efficient transfer of binary encoded user data is possible. The “text mode”, based on AT

commands, is suitable for unintelligent terminals or terminal emulators, and for application software built on command structures like those defined in V.25ter. The character based “PDU mode” is suitable for software drivers based on AT command structures which do not understand the content of the message blocks and can only pass them between the MT and higher level software resident in the TE.

In all three modes, the terminal is considered to be in control for SMS/CBS transactions. The document considers the mobile termination to be a single entity. Other 3GPP/GSM Technical Specifications describe the split of functionality between the mobile equipment and (U)SIM.

| SDO (2) | Document No. | Version | Status | Issued date | Location (1) |
|-------------------|---------------------------|---------|-----------|-------------|---|
| Release 99 | | | | | |
| ARIB | ARIB TR-T63-27.005 | 3.2.0 | Approved | Jul 13 | http://www.arib.or.jp/english/html/overview/doc/STD-T63v10_00/2_T63/ARIB-STD-T63/R99/27/A27005-320.pdf |
| ATIS | T1.3GPP.27.005V320-2003 | 3.2.0 | Approved | Mar 03 | https://www.atis.org/docstore/default.aspx |
| CCSA | CCSA-TSD-DS-27.005 | 3.2.0 | Published | Jul 02 | http://www.ccsa.org.cn/english/tc/files.php?docpath=/ITU-R/M.1457/M.1457-12/DS |
| ETSI | ETSI TS 127 005 | 3.2.0 | Published | Jul 02 | http://www.etsi.org/deliver/etsi_ts/127000_127099/127005/03.02.00_60/ |
| TTA | TTAT.3G-27.005(R99-3.2.0) | 3.2.0 | Approved | Mar 03 | http://www.tta.or.kr/data/ttasDown.jsp?where=14688&pk_num=TTAT.3G-27.005(R99-3.2.0) |
| Release 4 | | | | | |
| ARIB | ARIB TR-T63-27.005 | 4.2.1 | Approved | Jul 13 | http://www.arib.or.jp/english/html/overview/doc/STD-T63v10_00/2_T63/ARIB-STD-T63/Rel4/27/A27005-421.pdf |
| ATIS | ATIS.3GPP.27.005V421-2006 | 4.2.1 | Approved | Apr 06 | https://www.atis.org/docstore/default.aspx |
| CCSA | CCSA-TSD-DS-27.005 | 4.2.1 | Published | Jan 05 | http://www.ccsa.org.cn/english/tc/files.php?docpath=/ITU-R/M.1457/M.1457-12/DS |
| ETSI | ETSI TS 127 005 | 4.2.1 | Published | Jan 05 | http://www.etsi.org/deliver/etsi_ts/127000_127099/127005/04.02.01_60/ |
| TTA | TTAT.3G-27.005(R4-4.2.1) | 4.2.1 | Approved | Apr 06 | http://www.tta.or.kr/data/ttasDown.jsp?where=14688&pk_num=TTAT.3G-27.005(R4-4.2.1) |
| Release 5 | | | | | |
| ARIB | ARIB TR-T63-27.005 | 5.0.1 | Approved | Jul 13 | http://www.arib.or.jp/english/html/overview/doc/STD-T63v10_00/2_T63/ARIB-STD-T63/Rel5/27/A27005-501.pdf |
| ATIS | ATIS.3GPP.27.005V501-2006 | 5.0.1 | Approved | Apr 06 | https://www.atis.org/docstore/default.aspx |
| CCSA | CCSA-TSD-DS-27.005 | 5.0.1 | Published | Jan 05 | http://www.ccsa.org.cn/english/tc/files.php?docpath=/ITU-R/M.1457/M.1457-12/DS |
| ETSI | ETSI TS 127 005 | 5.0.1 | Published | Jan 05 | http://www.etsi.org/deliver/etsi_ts/127000_127099/127005/05.00.01_60/ |
| TTA | TTAT.3G-27.005(R5-5.0.1) | 5.0.1 | Approved | Apr 06 | http://www.tta.or.kr/data/ttasDown.jsp?where=14688&pk_num=TTAT.3G-27.005(R5-5.0.1) |
| Release 6 | | | | | |
| ARIB | ARIB TR-T63-27.005 | 6.0.1 | Approved | Jul 13 | http://www.arib.or.jp/english/html/overview/doc/STD-T63v10_00/2_T63/ARIB-STD-T63/Rel6/27/A27005-601.pdf |
| ATIS | ATIS.3GPP.27.005V601-2006 | 6.0.1 | Approved | Apr 06 | https://www.atis.org/docstore/default.aspx |
| CCSA | CCSA-TSD-DS-27.005 | 6.0.1 | Published | Jan 05 | http://www.ccsa.org.cn/english/tc/files.php?docpath=/ITU-R/M.1457/M.1457-12/DS |
| ETSI | ETSI TS 127 005 | 6.0.1 | Published | Jan 05 | http://www.etsi.org/deliver/etsi_ts/127000_127099/127005/06.00.01_60/ |
| TTA | TTAT.3G-27.005(R6-6.0.1) | 6.9.0 | Approved | May 05 | http://www.tta.or.kr/data/ttasDown.jsp?where=14688&pk_num=TTAT.3G-27.005(R6-6.0.1) |
| Release 7 | | | | | |
| ARIB | ARIB TR-T63-27.005 | 7.0.0 | Approved | Jul 13 | http://www.arib.or.jp/english/html/overview/doc/STD-T63v10_00/2_T63/ARIB-STD-T63/Rel7/27/A27005-700.pdf |
| ATIS | ATIS.3GPP.27.005V700-2007 | 7.0.0 | Approved | Oct 07 | https://www.atis.org/docstore/default.aspx |
| CCSA | CCSA-TSD-DS-27.005 | 7.0.0 | Published | Apr 07 | http://www.ccsa.org.cn/english/tc/files.php?docpath=/ITU-R/M.1457/M.1457-12/DS |
| ETSI | ETSI TS 127 005 | 7.0.0 | Published | Apr 07 | http://www.etsi.org/deliver/etsi_ts/127000_127099/127005/07.00.00_60/ |
| TTA | TTAT.3G-27.005(R7-7.0.0) | 7.0.0 | Approved | Dec 07 | http://www.tta.or.kr/data/ttasDown.jsp?where=14688&pk_num=TTAT.3G-27.005(R7-7.0.0) |
| Release 8 | | | | | |
| ARIB | ARIB TR-T63-27.005 | 8.0.1 | Approved | Jul 13 | http://www.arib.or.jp/english/html/overview/doc/STD-T63v10_00/2_T63/ARIB-STD-T63/Rel8/27/A27005-801.pdf |
| ATIS | ATIS.3GPP.27.005V801-2012 | 8.0.1 | Approved | Jul 12 | https://www.atis.org/docstore/default.aspx |
| CCSA | CCSA-TSD-DS-27.005 | 8.0.1 | Published | Jun 12 | http://www.ccsa.org.cn/english/tc/files.php?docpath=/ITU-R/M.1457/M.1457-12/DS |

| | | | | | |
|-------------------|----------------------------|--------|-----------|--------|---|
| ETSI | ETSI TS 127 005 | 8.0.1 | Published | Nov 11 | http://www.etsi.org/deliver/etsi_ts/127000_127099/127005/08.00.01_60/ |
| TTA | TTAT.3G-27.005(R8-8.0.0) | 8.0.0 | Approved | Oct 08 | http://www.tta.or.kr/data/ttasDown.jsp?where=14688&pk_num=TTAT.3G-27.005(R8-8.0.0) |
| Release 9 | | | | | |
| ARIB | ARIB TR-T63-27.005 | 9.0.1 | Approved | Jul 13 | http://www.arib.or.jp/english/html/overview/doc/STD-T63v10_00/2_T63/ARIB-STD-T63/Rel9/27/A27005-901.pdf |
| ATIS | ATIS.3GPP.27.005V901-2012 | 9.0.1 | Approved | Jul 12 | https://www.atis.org/docstore/default.aspx |
| CCSA | CCSA-TSD-DS-27.005 | 9.0.1 | Published | Jun 12 | http://www.ccsa.org.cn/english/tc/files.php?docpath=/ITU-R/M.1457/M.1457-12/DS |
| ETSI | ETSI TS 127 005 | 9.0.1 | Published | Nov 11 | http://www.etsi.org/deliver/etsi_ts/127000_127099/127005/09.00.01_60/ |
| TTA | TTAT.3G-27.005(R9-9.0.0) | 9.0.0 | Approved | Jul 10 | http://www.tta.or.kr/data/ttasDown.jsp?where=14688&pk_num=TTAT.3G-27.005(R9-9.0.0) |
| Release 10 | | | | | |
| ARIB | ARIB TR-T63-27.005 | 10.0.1 | Approved | Jul 13 | http://www.arib.or.jp/english/html/overview/doc/STD-T63v10_00/2_T63/ARIB-STD-T63/Rel10/27/A27005-a01.pdf |
| ATIS | ATIS.3GPP.27.005V1001-2012 | 10.0.1 | Approved | Jul 12 | https://www.atis.org/docstore/default.aspx |
| CCSA | CCSA-TSD-DS-27.005 | 10.0.1 | Published | Jun 12 | http://www.ccsa.org.cn/english/tc/files.php?docpath=/ITU-R/M.1457/M.1457-12/DS |
| ETSI | ETSI TS 127 005 | 10.0.1 | Published | Nov 11 | http://www.etsi.org/deliver/etsi_ts/127000_127099/127005/10.00.01_60/ |
| TTA | TTAT.3G-27.005(R10-10.0.1) | 10.0.1 | Approved | Apr 12 | http://www.tta.or.kr/data/ttasDown.jsp?where=14688&pk_num=TTAT.3G-27.005(R10-10.0.1) |
| Release 11 | | | | | |
| ARIB | ARIB TR-T63-27.005 | 11.0.0 | Approved | Jul 13 | http://www.arib.or.jp/english/html/overview/doc/STD-T63v10_00/2_T63/ARIB-STD-T63/Rel11/27/A27005-b00.pdf |
| ATIS | ATIS.3GPP.27.005V1100-2014 | 11.0.0 | Approved | May 14 | https://www.atis.org/docstore/default.aspx |
| CCSA | CCSA-TSD-DS-27.005 | 11.0.0 | Published | Jun 14 | http://www.ccsa.org.cn/english/tc/files.php?docpath=/ITU-R/M.1457/M.1457-12/DS |
| ETSI | ETSI TS 127 005 | 11.0.0 | Published | Oct 12 | http://www.etsi.org/deliver/etsi_ts/127000_127099/127005/11.00.00_60/ |
| TTA | TTAT.3G-27.005(R11-11.0.0) | 11.0.0 | published | Aug 13 | http://www.tta.or.kr/data/ttasDown.jsp?where=14688&pk_num=TTAT.3G-27.005(R11-11.0.0) |

5.1.2.12.117 TS 27.007

AT command set for User Equipment (UE)

This document specifies a profile of AT commands and recommends that this profile be used for controlling Mobile Termination (MT) functions and GSM/UMTS network services from a Terminal Equipment (TE) through Terminal Adaptor (TA). The command prefix +C is reserved for Digital Cellular in ITU-T Recommendation V.250. The document has also the syntax details used to construct these extended GSM/UMTS commands. Commands from ITU-T Recommendation V.250 and existing digital cellular standards (TIA IS 99 and TIA IS 135) are used whenever applicable. Some of the new commands are defined such way that they can be easily applied to MT of networks other than GSM/UMTS. ITU-T Recommendation T.31 and ITU-T Recommendation T.32 fax AT commands may be used for GSM/UMTS fax transmission from TE. GSM/UMTS Short Message Service AT commands are defined in 3GPP TS 27.005. AT commands for GPRS and EPC are defined in this specification. The document assumes an abstract architecture comprising a TE (e.g. a computer) and a MT interfaced by a TA.

The commands described in this document may be observed on the link between the TE and the TA. However, most of the commands retrieve information about the MT, not about the TA.

| SDO (2) | Document No. | Version | Status | Issued date | Location (1) |
|-------------------|----------------------------|---------|----------|-------------|---|
| Release 99 | | | | | |
| ARIB | ARIB STD-T63-27.007 | 3.14.0 | Approved | Jul 13 | http://www.arib.or.jp/english/html/overview/doc/STD-T63v10_00/2_T63/ARIB-STD-T63/R99/27/A27007-3e0.pdf |
| ATIS | ATIS.3GPP.27.007V3140-2010 | 3.14.0 | Approved | Jul 10 | https://www.atis.org/docstore/default.aspx |

| | | | | | |
|-------------------|----------------------------|--------|-----------|--------|---|
| CCSA | CCSA-TSD-DS-27.007 | 3.14.0 | Published | Mar 10 | http://www.ccsa.org.cn/english/tc/files.php?docpath=/ITU-R/M.1457/M.1457-12/DS |
| ETSI | ETSI TS 127 007 | 3.14.0 | Published | Apr 10 | http://www.etsi.org/deliver/etsi_ts/127000_127099/127007/03.14.00_60/ |
| TTA | TTAT.3G-27.007(R99-3.13.0) | 3.13.0 | Approved | May 04 | http://www.tta.or.kr/data/ttasDown.jsp?where=14688&pk_num=TTAT.3G-27.007(R99-3.13.0) |
| Release 4 | | | | | |
| ARIB | ARIB STD-T63-27.007 | 4.7.0 | Approved | Jul 13 | http://www.arib.or.jp/english/html/overview/doc/STD-T63v10_00/2_T63/ARIB-STD-T63/Rel4/27/A27007-470.pdf |
| ATIS | ATIS.3GPP.27.007V470-2010 | 4.7.0 | Approved | Jul 10 | https://www.atis.org/docstore/default.aspx |
| CCSA | CCSA-TSD-DS-27.007 | 4.7.0 | Published | Mar 10 | http://www.ccsa.org.cn/english/tc/files.php?docpath=/ITU-R/M.1457/M.1457-12/DS |
| ETSI | ETSI TS 127 007 | 4.7.0 | Published | Apr 10 | http://www.etsi.org/deliver/etsi_ts/127000_127099/127007/04.07.00_60/ |
| TTA | TTAT.3G-27.007(R4-4.6.0) | 4.6.0 | Approved | May 04 | http://www.tta.or.kr/data/ttasDown.jsp?where=14688&pk_num=TTAT.3G-27.007(R4-4.6.0) |
| Release 5 | | | | | |
| ARIB | ARIB STD-T63-27.007 | 5.7.0 | Approved | Jul 13 | http://www.arib.or.jp/english/html/overview/doc/STD-T63v10_00/2_T63/ARIB-STD-T63/Rel5/27/A27007-570.pdf |
| ATIS | ATIS.3GPP.27.007V570-2010 | 5.7.0 | Approved | Jul 10 | https://www.atis.org/docstore/default.aspx |
| CCSA | CCSA-TSD-DS-27.007 | 5.7.0 | Published | Mar 10 | http://www.ccsa.org.cn/english/tc/files.php?docpath=/ITU-R/M.1457/M.1457-12/DS |
| ETSI | ETSI TS 127 007 | 5.7.0 | Published | Apr 10 | http://www.etsi.org/deliver/etsi_ts/127000_127099/127007/05.07.00_60/ |
| Release 6 | | | | | |
| ARIB | ARIB STD-T63-27.007 | 6.10.0 | Approved | Jul 13 | http://www.arib.or.jp/english/html/overview/doc/STD-T63v10_00/2_T63/ARIB-STD-T63/Rel6/27/A27007-6a0.pdf |
| ATIS | ATIS.3GPP.27.007V6100-2010 | 6.10.0 | Approved | Jul 10 | https://www.atis.org/docstore/default.aspx |
| CCSA | CCSA-TSD-DS-27.007 | 6.10.0 | Published | Mar 10 | http://www.ccsa.org.cn/english/tc/files.php?docpath=/ITU-R/M.1457/M.1457-12/DS |
| ETSI | ETSI TS 127 007 | 6.10.0 | Published | Apr 10 | http://www.etsi.org/deliver/etsi_ts/127000_127099/127007/06.10.00_60/ |
| Release 7 | | | | | |
| ARIB | ARIB STD-T63-27.007 | 7.6.0 | Approved | Jul 13 | http://www.arib.or.jp/english/html/overview/doc/STD-T63v10_00/2_T63/ARIB-STD-T63/Rel7/27/A27007-760.pdf |
| ATIS | ATIS.3GPP.27.007V760-2010 | 7.6.0 | Approved | Jul 10 | https://www.atis.org/docstore/default.aspx |
| CCSA | CCSA-TSD-DS-27.007 | 7.6.0 | Published | Mar 10 | http://www.ccsa.org.cn/english/tc/files.php?docpath=/ITU-R/M.1457/M.1457-12/DS |
| ETSI | ETSI TS 127 007 | 7.6.0 | Published | Apr 10 | http://www.etsi.org/deliver/etsi_ts/127000_127099/127007/07.06.00_60/ |
| Release 8 | | | | | |
| ARIB | ARIB STD-T63-27.007 | 8.15.0 | Approved | Jul 13 | http://www.arib.or.jp/english/html/overview/doc/STD-T63v10_00/2_T63/ARIB-STD-T63/Rel8/27/A27007-8f0.pdf |
| ATIS | ATIS.3GPP.27.007V8150-2014 | 8.15.0 | Approved | May 14 | https://www.atis.org/docstore/default.aspx |
| CCSA | CCSA-TSD-DS-27.007 | 8.15.0 | Published | Jun 12 | http://www.ccsa.org.cn/english/tc/files.php?docpath=/ITU-R/M.1457/M.1457-12/DS |
| ETSI | ETSI TS 127 007 | 8.15.0 | Published | Jan 12 | http://www.etsi.org/deliver/etsi_ts/127000_127099/127007/08.15.00_60/ |
| Release 9 | | | | | |
| ARIB | ARIB STD-T63-27.007 | 9.8.0 | Approved | Jul 13 | http://www.arib.or.jp/english/html/overview/doc/STD-T63v10_00/2_T63/ARIB-STD-T63/Rel9/27/A27007-980.pdf |
| ATIS | ATIS.3GPP.27.007V980-2014 | 9.8.0 | Approved | May 14 | https://www.atis.org/docstore/default.aspx |
| CCSA | CCSA-TSD-DS-27.007 | 9.8.0 | Published | Jun 12 | http://www.ccsa.org.cn/english/tc/files.php?docpath=/ITU-R/M.1457/M.1457-12/DS |
| ETSI | ETSI TS 127 007 | 9.8.0 | Published | Jan 12 | http://www.etsi.org/deliver/etsi_ts/127000_127099/127007/09.08.00_60/ |
| Release 10 | | | | | |
| ARIB | ARIB STD-T63-27.007 | 10.7.0 | Approved | Jul 13 | http://www.arib.or.jp/english/html/overview/doc/STD-T63v10_00/2_T63/ARIB-STD-T63/Rel10/27/A27007-a70.pdf |
| ATIS | ATIS.3GPP.27.007V1070-2014 | 10.7.0 | Approved | May 14 | https://www.atis.org/docstore/default.aspx |
| CCSA | CCSA-TSD-DS-27.007 | 10.6.0 | Published | Jun 12 | http://www.ccsa.org.cn/english/tc/files.php?docpath=/ITU-R/M.1457/M.1457-12/DS |
| ETSI | ETSI TS 127 007 | 10.7.0 | Published | Mar 12 | http://www.etsi.org/deliver/etsi_ts/127000_127099/127007/10.07.00_60/ |
| TTA | TTAT.3G-27.007(R10-10.7.0) | 10.7.0 | Approved | Aug 12 | http://www.tta.or.kr/data/ttasDown.jsp?where=14688&pk_num=TTAT.3G-27.007(R10-10.7.0) |
| Release 11 | | | | | |
| ARIB | ARIB STD-T63-27.007 | 11.6.0 | Approved | Jul 13 | http://www.arib.or.jp/english/html/overview/doc/STD-T63v10_00/2_T63/ARIB-STD-T63/Rel11/27/A27007-b60.pdf |
| ATIS | ATIS.3GPP.27.007V1160-2014 | 11.6.0 | Approved | May 14 | https://www.atis.org/docstore/default.aspx |
| ETSI | ETSI TS 127 007 | 11.6.0 | Published | Apr 13 | http://www.etsi.org/deliver/etsi_ts/127000_127099/127007/11.06.00_60/ |

TTA TTAT.3G-27.007(R11-11.6.0) 11.6.0 published Aug 13 [http://www.tta.or.kr/data/ttasDown.jsp?where=14688&pk_num=TTAT.3G-27.007\(R11-11.6.0\)](http://www.tta.or.kr/data/ttasDown.jsp?where=14688&pk_num=TTAT.3G-27.007(R11-11.6.0))

5.1.2.12.118 TS 27.010

Terminal Equipment to User Equipment (TE-UE) multiplexer protocol

This document defines a multiplexing protocol between a UE and a TE. The multiplexing protocol can be used to send any data, for instance voice, SMS, USSD, fax etc. The document describes the protocol, but not the commands or data transported with it.

| SDO (2) | Document No. | Version | Status | Issued date | Location (1) |
|-------------------|---------------------------|---------|-----------|-------------|---|
| Release 99 | | | | | |
| ARIB | ARIB STD-T63-27.010 | 3.4.0 | Approved | Jul 13 | http://www.arib.or.jp/english/html/overview/doc/STD-T63v10_00/2_T63/ARIB-STD-T63/R99/27/A27010-340.pdf |
| ATIS | T1.3GPP.27.010V340-2002 | 3.4.0 | Approved | May 02 | https://www.atis.org/docstore/default.aspx |
| CCSA | CCSA-TSD-DS-27.010 | 3.4.0 | Published | Apr 02 | http://www.ccsa.org.cn/english/tc/files.php?docpath=/ITU-R/M.1457/M.1457-12/DS |
| ETSI | ETSI TS 127 010 | 3.4.0 | Published | Apr 02 | http://www.etsi.org/deliver/etsi_ts/127000_127099/127010/03.04.00_60/ |
| TTA | TTAE.3G-27.010(R99-3.4.0) | 3.4.0 | Approved | May 02 | http://www.tta.or.kr/data/ttasDown.jsp?where=14688&pk_num=TTAE.3G-27.010(R99-3.4.0) |
| Release 4 | | | | | |
| ARIB | ARIB STD-T63-27.010 | 4.2.0 | Approved | Jul 13 | http://www.arib.or.jp/english/html/overview/doc/STD-T63v10_00/2_T63/ARIB-STD-T63/Rel4/27/A27010-420.pdf |
| ATIS | T1.3GPP.27.010V420-2002 | 4.2.0 | Approved | May 02 | https://www.atis.org/docstore/default.aspx |
| CCSA | CCSA-TSD-DS-27.010 | 4.2.0 | Published | Apr 02 | http://www.ccsa.org.cn/english/tc/files.php?docpath=/ITU-R/M.1457/M.1457-12/DS |
| ETSI | ETSI TS 127 010 | 4.2.0 | Published | Apr 02 | http://www.etsi.org/deliver/etsi_ts/127000_127099/127010/04.02.00_60/ |
| TTA | TTAE.3G-27.010(R4-4.2.0) | 4.2.0 | Approved | May 02 | http://www.tta.or.kr/data/ttasDown.jsp?where=14688&pk_num=TTAE.3G-27.010(R4-4.2.0) |
| Release 5 | | | | | |
| ARIB | ARIB STD-T63-27.010 | 5.0.0 | Approved | Jul 13 | http://www.arib.or.jp/english/html/overview/doc/STD-T63v10_00/2_T63/ARIB-STD-T63/Rel5/27/A27010-500.pdf |
| ATIS | T1.3GPP.27.010V500-2003 | 5.0.0 | Approved | Mar 03 | https://www.atis.org/docstore/default.aspx |
| CCSA | CCSA-TSD-DS-27.010 | 5.0.0 | Published | Jul 02 | http://www.ccsa.org.cn/english/tc/files.php?docpath=/ITU-R/M.1457/M.1457-12/DS |
| ETSI | ETSI TS 127 010 | 5.0.0 | Published | Jul 02 | http://www.etsi.org/deliver/etsi_ts/127000_127099/127010/05.00.00_60/ |
| TTA | TTAT.3G-27.010(R5-5.0.0) | 5.0.0 | Approved | Mar 03 | http://www.tta.or.kr/data/ttasDown.jsp?where=14688&pk_num=TTAT.3G-27.010(R5-5.0.0) |
| Release 6 | | | | | |
| ARIB | ARIB STD-T63-27.010 | 6.0.0 | Approved | Jul 13 | http://www.arib.or.jp/english/html/overview/doc/STD-T63v10_00/2_T63/ARIB-STD-T63/Rel6/27/A27010-600.pdf |
| ATIS | ATIS.3GPP.27.010V600-2005 | 6.0.0 | Approved | Apr 05 | https://www.atis.org/docstore/default.aspx |
| CCSA | CCSA-TSD-DS-27.010 | 6.0.0 | Published | Jan 05 | http://www.ccsa.org.cn/english/tc/files.php?docpath=/ITU-R/M.1457/M.1457-12/DS |
| ETSI | ETSI TS 127 010 | 6.0.0 | Published | Jan 05 | http://www.etsi.org/deliver/etsi_ts/127000_127099/127010/06.00.00_60/ |
| TTA | TTAT.3G-27.010(R6-6.0.0) | 6.0.0 | Approved | May 05 | http://www.tta.or.kr/data/ttasDown.jsp?where=14688&pk_num=TTAT.3G-27.010(R6-6.0.0) |
| Release 7 | | | | | |
| ARIB | ARIB STD-T63-27.010 | 7.0.0 | Approved | Jul 13 | http://www.arib.or.jp/english/html/overview/doc/STD-T63v10_00/2_T63/ARIB-STD-T63/Rel7/27/A27010-700.pdf |
| ATIS | ATIS.3GPP.27.010V700-2007 | 7.0.0 | Approved | Oct 07 | https://www.atis.org/docstore/default.aspx |
| CCSA | CCSA-TSD-DS-27.010 | 7.0.0 | Published | Jul 07 | http://www.ccsa.org.cn/english/tc/files.php?docpath=/ITU-R/M.1457/M.1457-12/DS |
| ETSI | ETSI TS 127 010 | 7.0.0 | Published | Jul 07 | http://www.etsi.org/deliver/etsi_ts/127000_127099/127010/07.00.00_60/ |
| TTA | TTAT.3G-27.010(R7-7.0.0) | 7.0.0 | Approved | Dec 07 | http://www.tta.or.kr/data/ttasDown.jsp?where=14688&pk_num=TTAT.3G-27.010(R7-7.0.0) |
| Release 8 | | | | | |
| ARIB | ARIB STD-T63-27.010 | 8.1.0 | Approved | Jul 13 | http://www.arib.or.jp/english/html/overview/doc/STD-T63v10_00/2_T63/ARIB-STD-T63/Rel8/27/A27010-810.pdf |
| ATIS | ATIS.3GPP.27.010V810-2012 | 8.1.0 | Approved | Jul 12 | https://www.atis.org/docstore/default.aspx |
| CCSA | CCSA-TSD-DS-27.010 | 8.1.0 | Published | Jun 12 | http://www.ccsa.org.cn/english/tc/files.php?docpath=/ITU-R/M.1457/M.1457-12/DS |

| | | | | | |
|-------------------|----------------------------|--------|-----------|--------|---|
| ETSI | ETSI TS 127 010 | 8.1.0 | Published | Jan 11 | http://www.etsi.org/deliver/etsi_ts/127000_127099/127010/08.01.00_60/ |
| TTA | TTAT.3G-27.010(R8-8.0.0) | 8.0.0 | Approved | Jul 09 | http://www.tta.or.kr/data/ttasDown.jsp?where=14688&pk_num=TTAT.3G-27.010(R8-8.0.0) |
| Release 9 | | | | | |
| ARIB | ARIB STD-T63-27.010 | 9.1.0 | Approved | Jul 13 | http://www.arib.or.jp/english/html/overview/doc/STD-T63v10_00/2_T63/ARIB-STD-T63/Rel9/27/A27010-910.pdf |
| ATIS | ATIS.3GPP.27.010V910-2012 | 9.1.0 | Approved | Jul 12 | https://www.atis.org/docstore/default.aspx |
| CCSA | CCSA-TSD-DS-27.010 | 9.1.0 | Published | Jun 12 | http://www.ccsa.org.cn/english/tc/files.php?docpath=/ITU-R/M.1457/M.1457-12/DS |
| ETSI | ETSI TS 127 010 | 9.1.0 | Published | Jan 11 | http://www.etsi.org/deliver/etsi_ts/127000_127099/127010/09.01.00_60/ |
| TTA | TTAT.3G-27.010(R9-9.0.0) | 9.0.0 | Approved | Jul 10 | http://www.tta.or.kr/data/ttasDown.jsp?where=14688&pk_num=TTAT.3G-27.010(R9-9.0.0) |
| Release 10 | | | | | |
| ARIB | ARIB STD-T63-27.010 | 10.0.0 | Approved | Jul 13 | http://www.arib.or.jp/english/html/overview/doc/STD-T63v10_00/2_T63/ARIB-STD-T63/Rel10/27/A27010-a00.pdf |
| ATIS | ATIS.3GPP.27.010V1000-2012 | 10.0.0 | Approved | Jul 12 | https://www.atis.org/docstore/default.aspx |
| CCSA | CCSA-TSD-DS-27.010 | 10.0.0 | Published | Jun 12 | http://www.ccsa.org.cn/english/tc/files.php?docpath=/ITU-R/M.1457/M.1457-12/DS |
| ETSI | ETSI TS 127 010 | 10.0.0 | Published | Apr 11 | http://www.etsi.org/deliver/etsi_ts/127000_127099/127010/10.00.00_60/ |
| TTA | TTAT.3G-27.010(R10-10.0.0) | 10.0.0 | Approved | Apr 12 | http://www.tta.or.kr/data/ttasDown.jsp?where=14688&pk_num=TTAT.3G-27.010(R10-10.0.0) |
| Release 11 | | | | | |
| ARIB | ARIB STD-T63-27.010 | 11.0.0 | Approved | Jul 13 | http://www.arib.or.jp/english/html/overview/doc/STD-T63v10_00/2_T63/ARIB-STD-T63/Rel11/27/A27010-b00.pdf |
| ATIS | ATIS.3GPP.27.010V1100-2014 | 11.0.0 | Approved | May 14 | https://www.atis.org/docstore/default.aspx |
| CCSA | CCSA-TSD-DS-27.010 | 11.0.0 | Published | Jun 14 | http://www.ccsa.org.cn/english/tc/files.php?docpath=/ITU-R/M.1457/M.1457-12/DS |
| ETSI | ETSI TS 127 010 | 11.0.0 | Published | Oct 12 | http://www.etsi.org/deliver/etsi_ts/127000_127099/127010/11.00.00_60/ |
| TTA | TTAT.3G-27.010(R11-11.0.0) | 11.0.0 | published | Aug 13 | http://www.tta.or.kr/data/ttasDown.jsp?where=14688&pk_num=TTAT.3G-27.010(R11-11.0.0) |

5.1.2.12.119 TS 29.002

Mobile Application Part (MAP) specification

It is necessary to transfer between entities of a Public Land Mobile Network (PLMN) information specific to the PLMN in order to deal with the specific behaviour of roaming Mobile Stations (MS)s. The Signalling System No. 7 specified by CCITT is used to transfer this information.

| SDO (2) | Document No. | Version | Status | Issued date | Location (1) |
|-------------------|----------------------------|---------|-----------|-------------|---|
| Release 99 | | | | | |
| CCSA | CCSA-TSD-DS-29.002 | 3.20.0 | Published | Jun 12 | http://www.ccsa.org.cn/english/tc/files.php?docpath=/ITU-R/M.1457/M.1457-12/DS |
| ETSI | ETSI TS 129 002 | 3.20.0 | Published | Jul 04 | http://www.etsi.org/deliver/etsi_ts/129000_129099/129002/03.20.00_60/ |
| TTC | TS-3GA-29.002(R99)v3.20.0 | 3.20.0 | Approved | Aug 04 | http://www.ttc.or.jp/j/document_list/free/TS/TS-3GA-29.002(R99)v3.20.0.pdf |
| Release 4 | | | | | |
| CCSA | CCSA-TSD-DS-29.002 | 4.18.0 | Published | Jun 12 | http://www.ccsa.org.cn/english/tc/files.php?docpath=/ITU-R/M.1457/M.1457-12/DS |
| ETSI | ETSI TS 129 002 | 4.18.0 | Published | Oct 07 | http://www.etsi.org/deliver/etsi_ts/129000_129099/129002/04.18.00_60/ |
| TTC | TS-3GA-29.002(Rel4)v4.18.0 | 4.18.0 | Approved | Mar 08 | http://www.ttc.or.jp/j/document_list/free/TS/TS-3GA-29.002(Rel4)v4.18.0.pdf |
| Release 5 | | | | | |
| CCSA | CCSA-TSD-DS-29.002 | 5.13.0 | Published | Jun 12 | http://www.ccsa.org.cn/english/tc/files.php?docpath=/ITU-R/M.1457/M.1457-12/DS |
| ETSI | ETSI TS 129 002 | 5.13.0 | Published | Oct 07 | http://www.etsi.org/deliver/etsi_ts/129000_129099/129002/05.13.00_60/ |
| TTC | TS-3GA-29.002(Rel5)v5.13.0 | 5.13.0 | Approved | Mar 08 | http://www.ttc.or.jp/j/document_list/free/TS/TS-3GA-29.002(Rel5)v5.13.0.pdf |
| Release 6 | | | | | |
| CCSA | CCSA-TSD-DS-29.002 | 6.17.0 | Published | Jun 12 | http://www.ccsa.org.cn/english/tc/files.php?docpath=/ITU-R/M.1457/M.1457-12/DS |
| ETSI | ETSI TS 129 002 | 6.17.0 | Published | Jul 10 | http://www.etsi.org/deliver/etsi_ts/129000_129099/129002/06.17.00_60/ |

| | | | | | |
|-------------------|-----------------------------|---------|-----------|--------|---|
| TTC | TS-3GA-29.002(Rel6)v6.17.0 | 6.17.0 | Approved | Oct 10 | http://www.ttc.or.jp/j/document_list/free/3gpps2010/TS/TS-3GA-29.002(Rel6)v6.17.0.pdf |
| Release 7 | | | | | |
| CCSA | CCSA-TSD-DS-29.002 | 7.15.0 | Published | Jun 12 | http://www.ccsa.org.cn/english/tc/files.php?docpath=/ITU-R/M.1457/M.1457-12/DS |
| ETSI | ETSI TS 129 002 | 7.15.0 | Published | Jul 10 | http://www.etsi.org/deliver/etsi_ts/129000_129099/129002/07.15.00_60/ |
| TTC | TS-3GA-29.002(Rel7)v7.15.0 | 7.15.0 | Approved | Oct 10 | http://www.ttc.or.jp/j/document_list/free/3gpps2010/TS/TS-3GA-29.002(Rel7)v7.15.0.pdf |
| Release 8 | | | | | |
| CCSA | CCSA-TSD-DS-29.002 | 8.17.0 | Published | Jun 12 | http://www.ccsa.org.cn/english/tc/files.php?docpath=/ITU-R/M.1457/M.1457-12/DS |
| ETSI | ETSI TS 129 002 | 8.19.0 | Published | Apr 13 | http://www.etsi.org/deliver/etsi_ts/129000_129099/129002/08.19.00_60/ |
| TTC | TS-3GA-29.002(Rel8)v8.19.0 | 8.19.0 | Approved | Jun 13 | http://www.ttc.or.jp/j/document_list/free/3gpps2013/TS/TS-3GA-29.002(Rel8)v8.19.0.pdf |
| Release 9 | | | | | |
| ATIS | ATIS.3GPP.29.002V9100-2014 | 9.10.0 | Approved | May 14 | https://www.atis.org/docstore/default.aspx |
| CCSA | CCSA-TSD-DS-29.002 | 9.7.0 | Published | Jun 12 | http://www.ccsa.org.cn/english/tc/files.php?docpath=/ITU-R/M.1457/M.1457-12/DS |
| ETSI | ETSI TS 129 002 | 9.10.0 | Published | Apr 13 | http://www.etsi.org/deliver/etsi_ts/129000_129099/129002/09.10.00_60/ |
| TTA | TTAT.3G-29.002(R9-9.1.0) | 9.1.0 | Approved | Jul 10 | http://www.tta.or.kr/data/ttasDown.jsp?where=14688&pk_num=TTAT.3G-29.002(R9-9.1.0) |
| TTC | TS-3GA-29.002(Rel9)v9.10.0 | 9.10.0 | Approved | Jun 13 | http://www.ttc.or.jp/j/document_list/free/3gpps2013/TS/TS-3GA-29.002(Rel9)v9.10.0.pdf |
| Release 10 | | | | | |
| ATIS | ATIS.3GPP.29.002V1080-2014 | 10.8.0 | Approved | May 14 | https://www.atis.org/docstore/default.aspx |
| CCSA | CCSA-TSD-DS-29.002 | 10.5.0 | Published | Jun 12 | http://www.ccsa.org.cn/english/tc/files.php?docpath=/ITU-R/M.1457/M.1457-12/DS |
| ETSI | ETSI TS 129 002 | 10.8.0 | Published | Apr 13 | http://www.etsi.org/deliver/etsi_ts/129000_129099/129002/10.08.00_60/ |
| TTA | TTAT.3G-29.002(R10-10.6.0) | 10.6.0 | Approved | Aug 12 | http://www.tta.or.kr/data/ttasDown.jsp?where=14688&pk_num=TTAT.3G-29.002(R10-10.6.0) |
| TTC | TS-3GA-29.002(Rel10)v10.8.0 | 10.8.0 | Approved | Jun 13 | http://www.ttc.or.jp/j/document_list/free/3gpps2013/TS/TS-3GA-29.002(Rel10)v10.8.0.pdf |
| Release 11 | | | | | |
| ATIS | ATIS.3GPP.29.002V1160-2014 | 11.6.0 | Approved | May 14 | https://www.atis.org/docstore/default.aspx |
| CCSA | CCSA-TSD-DS-29.002 | 11.10.0 | Published | Jun 14 | http://www.ccsa.org.cn/english/tc/files.php?docpath=/ITU-R/M.1457/M.1457-12/DS |
| ETSI | ETSI TS 129 002 | 11.6.0 | Published | Apr 13 | http://www.etsi.org/deliver/etsi_ts/129000_129099/129002/11.06.00_60/ |
| TTA | TTAT.3G-29.002(R11-11.6.0) | 11.6.0 | published | Aug 13 | http://www.tta.or.kr/data/ttasDown.jsp?where=14688&pk_num=TTAT.3G-29.002(R11-11.6.0) |
| TTC | TS-3GA-29.002(Rel11)v11.6.0 | 11.6.0 | Approved | Jun 13 | http://www.ttc.or.jp/j/document_list/free/3gpps2013/TS/TS-3GA-29.002(Rel11)v11.6.0.pdf |

5.1.2.12.120 TS 29.016

General Packet Radio Service (GPRS); Serving GPRS Support Node (SGSN) – Visitors Location Register (VLR); Gs interface network service specification

This document specifies the subset of MTP and SCCP which is used for the reliable transport of BSSAP+ messages in the Gs interface. The document references 3GPP TS 29.202 which specifies alternative transport layers that can be applied instead of the MTP. The document also specifies the SCCP addressing capabilities to be provided in the Gs interface.

| SDO (2) | Document No. | Version | Status | Issued date | Location (1) |
|-------------------|--------------------|---------|-----------|-------------|---|
| Release 99 | | | | | |
| CCSA | CCSA-TSD-DS-29.016 | 3.1.0 | Published | Jun 12 | http://www.ccsa.org.cn/english/tc/files.php?docpath=/ITU-R/M.1457/M.1457-12/DS |
| ETSI | ETSI TS 129 016 | 3.1.0 | Published | Nov 00 | http://www.etsi.org/deliver/etsi_ts/129000_129099/129016/03.01.00_60/ |
| TTC | JP-3GA-29.016(R99) | 3.1.0 | Approved | May 01 | http://www.ttc.or.jp/j/document_list/pdf/j/STD/JP-3GA-29.016(R99)v2.pdf |
| Release 4 | | | | | |
| CCSA | CCSA-TSD-DS-29.016 | 4.1.0 | Published | Jun 12 | http://www.ccsa.org.cn/english/tc/files.php?docpath=/ITU-R/M.1457/M.1457-12/DS |

| | | | | | |
|-------------------|-----------------------------|--------|-----------|--------|---|
| ETSI | ETSI TS 129 016 | 4.1.0 | Published | Jul 02 | http://www.etsi.org/deliver/etsi_ts/129000_129099/129016/04.01.00_60/ |
| TTC | TS-3GA-29.016(Rel4)v4.1.0 | 4.1.0 | Approved | Aug 02 | http://www.ttc.or.jp/j/document_list/free/TS/TS-3GA-29.016(Rel4)v4.1.0.pdf |
| Release 5 | | | | | |
| CCSA | CCSA-TSD-DS-29.016 | 5.0.0 | Published | Jun 12 | http://www.ccsa.org.cn/english/tc/files.php?docpath=/ITU-R/M.1457/M.1457-12/DS |
| ETSI | ETSI TS 129 016 | 5.0.0 | Published | Jul 02 | http://www.etsi.org/deliver/etsi_ts/129000_129099/129016/05.00.00_60/ |
| TTC | TS-3GA-29.016(Rel5)v5.0.0 | 5.0.0 | Approved | Aug 02 | http://www.ttc.or.jp/j/document_list/free/TS/TS-3GA-29.016(Rel5)v5.0.0.pdf |
| Release 6 | | | | | |
| CCSA | CCSA-TSD-DS-29.016 | 6.0.0 | Published | Jun 12 | http://www.ccsa.org.cn/english/tc/files.php?docpath=/ITU-R/M.1457/M.1457-12/DS |
| ETSI | ETSI TS 129 016 | 6.0.0 | Published | Jan 05 | http://www.etsi.org/deliver/etsi_ts/129000_129099/129016/06.00.00_60/ |
| TTC | TS-3GA-29.016(Rel6)v6.0.0 | 6.0.0 | Approved | Mar 05 | http://www.ttc.or.jp/j/document_list/free/TS/TS-3GA-29.016(Rel6)v6.0.0.pdf |
| Release 7 | | | | | |
| CCSA | CCSA-TSD-DS-29.016 | 7.0.0 | Published | Jun 12 | http://www.ccsa.org.cn/english/tc/files.php?docpath=/ITU-R/M.1457/M.1457-12/DS |
| ETSI | ETSI TS 129 016 | 7.0.0 | Published | Jul 07 | http://www.etsi.org/deliver/etsi_ts/129000_129099/129016/07.00.00_60/ |
| TTC | TS-3GA-29.016(Rel7)v7.0.0 | 7.0.0 | Approved | Mar 08 | http://www.ttc.or.jp/j/document_list/free/TS/TS-3GA-29.016(Rel7)v7.0.0.pdf |
| Release 8 | | | | | |
| CCSA | CCSA-TSD-DS-29.016 | 8.0.0 | Published | Jun 12 | http://www.ccsa.org.cn/english/tc/files.php?docpath=/ITU-R/M.1457/M.1457-12/DS |
| ETSI | ETSI TS 129 016 | 8.0.0 | Published | Jan 09 | http://www.etsi.org/deliver/etsi_ts/129000_129099/129016/08.00.00_60/ |
| TTC | TS-3GA-29.016(Rel8)v8.0.0 | 8.0.0 | Approved | Feb 09 | http://www.ttc.or.jp/j/document_list/free/3gpps2009/TS/TS-3GA-29.016(Rel8)v8.0.0.pdf |
| Release 9 | | | | | |
| ATIS | ATIS.3GPP.29.016V900-2010 | 9.0.0 | Approved | Jul 10 | https://www.atis.org/docstore/default.aspx |
| CCSA | CCSA-TSD-DS-29.016 | 9.0.0 | Published | Jun 12 | http://www.ccsa.org.cn/english/tc/files.php?docpath=/ITU-R/M.1457/M.1457-12/DS |
| ETSI | ETSI TS 129 016 | 9.0.0 | Published | Jan 10 | http://www.etsi.org/deliver/etsi_ts/129000_129099/129016/09.00.00_60/ |
| TTA | TTAT.3G-29.016(R9-9.0.0) | 9.0.0 | Approved | Jul 10 | http://www.tta.or.kr/data/ttasDown.jsp?where=14688&pk_num=TTAT.3G-29.016(R9-9.0.0) |
| TTC | TS-3GA-29.016(Rel9)v9.0.0 | 9.0.0 | Approved | Jul 10 | http://www.ttc.or.jp/j/document_list/free/3gpps2010/TS/TS-3GA-29.016(Rel9)v9.0.0.pdf |
| Release 10 | | | | | |
| ATIS | ATIS.3GPP.29.016V1000-2012 | 10.0.0 | Approved | Jul 12 | https://www.atis.org/docstore/default.aspx |
| CCSA | CCSA-TSD-DS-29.016 | 10.0.0 | Published | Jun 12 | http://www.ccsa.org.cn/english/tc/files.php?docpath=/ITU-R/M.1457/M.1457-12/DS |
| ETSI | ETSI TS 129 016 | 10.0.0 | Published | Apr 11 | http://www.etsi.org/deliver/etsi_ts/129000_129099/129016/10.00.00_60/ |
| TTA | TTAT.3G-29.016(R10-10.0.0) | 10.0.0 | Approved | Apr 12 | http://www.tta.or.kr/data/ttasDown.jsp?where=14688&pk_num=TTAT.3G-29.016(R10-10.0.0) |
| TTC | TS-3GA-29.016(Rel10)v10.0.0 | 10.0.0 | Approved | Jun 11 | http://www.ttc.or.jp/j/document_list/free/3gpps2011/TS/TS-3GA-29.016(Rel10)v10.0.0.pdf |
| Release 11 | | | | | |
| ATIS | ATIS.3GPP.29.016V1100-2014 | 11.0.0 | Approved | May 14 | https://www.atis.org/docstore/default.aspx |
| CCSA | CCSA-TSD-DS-29.016 | 11.0.0 | Published | Jun 14 | http://www.ccsa.org.cn/english/tc/files.php?docpath=/ITU-R/M.1457/M.1457-12/DS |
| ETSI | ETSI TS 129 016 | 11.0.0 | Published | Oct 12 | http://www.etsi.org/deliver/etsi_ts/129000_129099/129016/11.00.00_60/ |
| TTA | TTAT.3G-29.016(R11-11.0.0) | 11.0.0 | published | Aug 13 | http://www.tta.or.kr/data/ttasDown.jsp?where=14688&pk_num=TTAT.3G-29.016(R11-11.0.0) |
| TTC | TS-3GA-29.016(Rel11)v11.0.0 | 11.0.0 | Approved | Jun 13 | http://www.ttc.or.jp/j/document_list/free/3gpps2013/TS/TS-3GA-29.016(Rel11)v11.0.0.pdf |

5.1.2.12.121 TS 29.018

General Packet Radio Service (GPRS); Serving GPRS Support Node (SGSN) – Visitors Location Register (VLR); Gs interface layer 3 specification

This document specifies procedures used on the Serving GPRS Support Node (SGSN) to Visitors Location Register (VLR) interface for interoperability between circuit switched services and packet data services. The document specifies the layer 3 messages and procedures on the Gs interface to allow

coordination between databases and to relay certain messages related to GSM circuit switched services over the GPRS subsystem.

| SDO (2) | Document No. | Version | Status | Issued date | Location (1) |
|-------------------|-----------------------------|---------|-----------|-------------|---|
| Release 99 | | | | | |
| CCSA | CCSA-TSD-DS-29.018 | 3.11.0 | Published | Jun 12 | http://www.ccsa.org.cn/english/tc/files.php?docpath=/ITU-R/M.1457/M.1457-12/DS |
| ETSI | ETSI TS 129 018 | 3.11.0 | Published | Oct 03 | http://www.etsi.org/deliver/etsi_ts/129000_129099/129018/03.11.00_60/ |
| TTC | TS-3GA-29.018(R99)v3.11.0 | 3.11.0 | Approved | Nov 03 | http://www.ttc.or.jp/j/document_list/free/TS/TS-3GA-29.018(R99)v3.11.0.pdf |
| Release 4 | | | | | |
| CCSA | CCSA-TSD-DS-29.018 | 4.5.0 | Published | Jun 12 | http://www.ccsa.org.cn/english/tc/files.php?docpath=/ITU-R/M.1457/M.1457-12/DS |
| ETSI | ETSI TS 129 018 | 4.5.0 | Published | Oct 03 | http://www.etsi.org/deliver/etsi_ts/129000_129099/129018/04.05.00_60/ |
| TTC | TS-3GA-29.018(Rel4)v4.5.0 | 4.5.0 | Approved | Nov 03 | http://www.ttc.or.jp/j/document_list/free/TS/TS-3GA-29.018(Rel4)v4.5.0.pdf |
| Release 5 | | | | | |
| CCSA | CCSA-TSD-DS-29.018 | 5.5.0 | Published | Jun 12 | http://www.ccsa.org.cn/english/tc/files.php?docpath=/ITU-R/M.1457/M.1457-12/DS |
| ETSI | ETSI TS 129 018 | 5.5.0 | Published | Oct 03 | http://www.etsi.org/deliver/etsi_ts/129000_129099/129018/05.05.00_60/ |
| TTC | TS-3GA-29.018(Rel5)v5.5.0 | 5.5.0 | Approved | Nov 03 | http://www.ttc.or.jp/j/document_list/free/TS/TS-3GA-29.018(Rel5)v5.5.0.pdf |
| Release 6 | | | | | |
| CCSA | CCSA-TSD-DS-29.018 | 6.5.0 | Published | Jun 12 | http://www.ccsa.org.cn/english/tc/files.php?docpath=/ITU-R/M.1457/M.1457-12/DS |
| ETSI | ETSI TS 129 018 | 6.5.0 | Published | Jan 07 | http://www.etsi.org/deliver/etsi_ts/129000_129099/129018/06.05.00_60/ |
| TTC | TS-3GA-29.018(Rel6)v6.5.0 | 6.5.0 | Approved | Mar 07 | http://www.ttc.or.jp/j/document_list/free/TS/TS-3GA-29.018(Rel6)v6.5.0.pdf |
| Release 7 | | | | | |
| CCSA | CCSA-TSD-DS-29.018 | 7.3.0 | Published | Jun 12 | http://www.ccsa.org.cn/english/tc/files.php?docpath=/ITU-R/M.1457/M.1457-12/DS |
| ETSI | ETSI TS 129 018 | 7.3.0 | Published | Jul 07 | http://www.etsi.org/deliver/etsi_ts/129000_129099/129018/07.03.00_60/ |
| TTC | TS-3GA-29.018(Rel7)v7.3.0 | 7.3.0 | Approved | Mar 08 | http://www.ttc.or.jp/j/document_list/free/TS/TS-3GA-29.018(Rel7)v7.3.0.pdf |
| Release 8 | | | | | |
| CCSA | CCSA-TSD-DS-29.018 | 8.3.0 | Published | Jun 12 | http://www.ccsa.org.cn/english/tc/files.php?docpath=/ITU-R/M.1457/M.1457-12/DS |
| ETSI | ETSI TS 129 018 | 8.5.0 | Published | Oct 12 | http://www.etsi.org/deliver/etsi_ts/129000_129099/129018/08.05.00_60/ |
| TTC | TS-3GA-29.018(Rel8)v8.5.0 | 8.5.0 | Approved | Dec 12 | http://www.ttc.or.jp/j/document_list/free/3gpps2012/TS/TS-3GA-29.018(Rel8)v8.5.0.pdf |
| Release 9 | | | | | |
| ATIS | ATIS.3GPP.29.018V930-2014 | 9.3.0 | Approved | May 14 | https://www.atis.org/docstore/default.aspx |
| CCSA | CCSA-TSD-DS-29.018 | 9.1.0 | Published | Jun 12 | http://www.ccsa.org.cn/english/tc/files.php?docpath=/ITU-R/M.1457/M.1457-12/DS |
| ETSI | ETSI TS 129 018 | 9.3.0 | Published | Oct 12 | http://www.etsi.org/deliver/etsi_ts/129000_129099/129018/09.03.00_60/ |
| TTA | TTAT.3G-29.018(R9-9.0.0) | 9.0.0 | Approved | Jul 10 | http://www.tta.or.kr/data/ttasDown.jsp?where=14688&pk_num=TTAT.3G-29.018(R9-9.0.0) |
| TTC | TS-3GA-29.018(Rel9)v9.3.0 | 9.3.0 | Approved | Dec 12 | http://www.ttc.or.jp/j/document_list/free/3gpps2012/TS/TS-3GA-29.018(Rel9)v9.3.0.pdf |
| Release 10 | | | | | |
| ATIS | ATIS.3GPP.29.018V1070-2014 | 10.7.0 | Approved | May 14 | https://www.atis.org/docstore/default.aspx |
| CCSA | CCSA-TSD-DS-29.018 | 10.5.0 | Published | Jun 12 | http://www.ccsa.org.cn/english/tc/files.php?docpath=/ITU-R/M.1457/M.1457-12/DS |
| ETSI | ETSI TS 129 018 | 10.7.0 | Published | Oct 12 | http://www.etsi.org/deliver/etsi_ts/129000_129099/129018/10.07.00_60/ |
| TTA | TTAT.3G-29.018(R10-10.5.0) | 10.5.0 | Approved | Aug 12 | http://www.tta.or.kr/data/ttasDown.jsp?where=14688&pk_num=TTAT.3G-29.018(R10-10.5.0) |
| TTC | TS-3GA-29.018(Rel10)v10.7.0 | 10.7.0 | Approved | Dec 12 | http://www.ttc.or.jp/j/document_list/free/3gpps2012/TS/TS-3GA-29.018(Rel10)v10.7.0.pdf |
| Release 11 | | | | | |
| ATIS | ATIS.3GPP.29.018V1160-2014 | 11.6.0 | Approved | May 14 | https://www.atis.org/docstore/default.aspx |
| CCSA | CCSA-TSD-DS-29.018 | 11.7.0 | Published | Jun 14 | http://www.ccsa.org.cn/english/tc/files.php?docpath=/ITU-R/M.1457/M.1457-12/DS |
| ETSI | ETSI TS 129 018 | 11.6.0 | Published | Apr 13 | http://www.etsi.org/deliver/etsi_ts/129000_129099/129018/11.06.00_60/ |
| TTA | TTAT.3G-29.018(R11-11.6.0) | 11.6.0 | published | Aug 13 | http://www.tta.or.kr/data/ttasDown.jsp?where=14688&pk_num=TTAT.3G-29.018(R11-11.6.0) |

TTC TS-3GA-29.018(Rel11)v11.6.0 11.6.0 Approved Jun 13 [http://www.ttc.or.jp/jp/document_list/free/3gpps2013/TS/TS-3GA-29.018\(Rel11\)v11.6.0.pdf](http://www.ttc.or.jp/jp/document_list/free/3gpps2013/TS/TS-3GA-29.018(Rel11)v11.6.0.pdf)

5.1.2.12.122 TS 29.060

General Packet Radio Service (GPRS); GPRS Tunnelling Protocol (GTP) across the Gn and Gp interface

This document defines the second version of GTP used on: – the Gn and Gp interfaces of the General Packet Radio Service (GPRS); – the Iu, Gn and Gp interfaces of the UMTS system.

| SDO (2) | Document No. | Version | Status | Issued date | Location (1) |
|-------------------|----------------------------|---------|-----------|-------------|---|
| Release 99 | | | | | |
| CCSA | CCSA-TSD-DS-29.060 | 3.19.0 | Published | Jun 12 | http://www.ccsa.org.cn/english/tc/files.php?docpath=/ITU-R/M.1457/M.1457-12/DS |
| ETSI | ETSI TS 129 060 | 3.19.0 | Published | Apr 04 | http://www.etsi.org/deliver/etsi_ts/129000_129099/129060/03.19.00_60/ |
| TTC | TS-3GA-29.060(R99)v3.19.0 | 3.19.0 | Approved | May 04 | http://www.ttc.or.jp/j/document_list/free/TS/TS-3GA-29.060(R99)v3.19.0.pdf |
| Release 4 | | | | | |
| CCSA | CCSA-TSD-DS-29.060 | 4.11.0 | Published | Jun 12 | http://www.ccsa.org.cn/english/tc/files.php?docpath=/ITU-R/M.1457/M.1457-12/DS |
| ETSI | ETSI TS 129 060 | 4.11.0 | Published | Apr 04 | http://www.etsi.org/deliver/etsi_ts/129000_129099/129060/04.11.00_60/ |
| TTC | TS-3GA-29.060(Rel4)v4.11.0 | 4.11.0 | Approved | May 04 | http://www.ttc.or.jp/j/document_list/free/TS/TS-3GA-29.060(Rel4)v4.11.0.pdf |
| Release 5 | | | | | |
| CCSA | CCSA-TSD-DS-29.060 | 5.14.0 | Published | Jun 12 | http://www.ccsa.org.cn/english/tc/files.php?docpath=/ITU-R/M.1457/M.1457-12/DS |
| ETSI | ETSI TS 129 060 | 5.14.0 | Published | Oct 05 | http://www.etsi.org/deliver/etsi_ts/129000_129099/129060/05.14.00_60/ |
| TTC | TS-3GA-29.060(Rel5)v5.14.0 | 5.14.0 | Approved | Nov 05 | http://www.ttc.or.jp/j/document_list/free/TS/TS-3GA-29.060(Rel5)v5.14.0.pdf |
| Release 6 | | | | | |
| CCSA | CCSA-TSD-DS-29.060 | 6.21.1 | Published | Jun 12 | http://www.ccsa.org.cn/english/tc/files.php?docpath=/ITU-R/M.1457/M.1457-12/DS |
| ETSI | ETSI TS 129 060 | 6.21.1 | Published | Apr 10 | http://www.etsi.org/deliver/etsi_ts/129000_129099/129060/06.21.01_60/ |
| TTC | TS-3GA-29.060(Rel6)v6.21.0 | 6.21.0 | Approved | Apr 10 | http://www.ttc.or.jp/j/document_list/free/3gpps2010/TS/TS-3GA-29.060(Rel6)v6.21.0.pdf |
| Release 7 | | | | | |
| CCSA | CCSA-TSD-DS-29.060 | 7.17.0 | Published | Jun 12 | http://www.ccsa.org.cn/english/tc/files.php?docpath=/ITU-R/M.1457/M.1457-12/DS |
| ETSI | ETSI TS 129 060 | 7.17.0 | Published | Oct 11 | http://www.etsi.org/deliver/etsi_ts/129000_129099/129060/07.17.00_60/ |
| TTC | TS-3GA-29.060(Rel7)v7.17.0 | 7.17.0 | Approved | Dec 11 | http://www.ttc.or.jp/j/document_list/free/3gpps2011/TS/TS-3GA-29.060(Rel7)v7.17.0.pdf |
| Release 8 | | | | | |
| CCSA | CCSA-TSD-DS-29.060 | 8.15.0 | Published | Jun 12 | http://www.ccsa.org.cn/english/tc/files.php?docpath=/ITU-R/M.1457/M.1457-12/DS |
| ETSI | ETSI TS 129 060 | 8.16.0 | Published | Jul 12 | http://www.etsi.org/deliver/etsi_ts/129000_129099/129060/08.16.00_60/ |
| TTC | TS-3GA-29.060(Rel8)v8.16.0 | 8.16.0 | Approved | Sep 12 | http://www.ttc.or.jp/imt2000/TS/TS29060rel8v8150.pdf |
| Release 9 | | | | | |
| ATIS | ATIS.3GPP.29.060V9120-2014 | 9.12.0 | Approved | May 14 | https://www.atis.org/docstore/default.aspx |
| CCSA | CCSA-TSD-DS-29.060 | 9.9.0 | Published | Jun 12 | http://www.ccsa.org.cn/english/tc/files.php?docpath=/ITU-R/M.1457/M.1457-12/DS |
| ETSI | ETSI TS 129 060 | 9.12.0 | Published | Apr 13 | http://www.etsi.org/deliver/etsi_ts/129000_129099/129060/09.12.00_60/ |
| TTA | TTAT.3G-29.060(R9-9.2.0) | 9.2.0 | Approved | Jul 10 | http://www.tta.or.kr/data/ttasDown.jsp?where=14688&pk_num=TTAT.3G-29.060(R9-9.2.0) |
| TTC | TS-3GA-29.060(Rel9)v9.12.0 | 9.12.0 | Approved | Jun 13 | http://www.ttc.or.jp/j/document_list/free/3gpps2013/TS/TS-3GA-29.060(Rel9)v9.12.0.pdf |
| Release 10 | | | | | |
| ATIS | ATIS.3GPP.29.060V1080-2014 | 10.8.0 | Approved | May 14 | https://www.atis.org/docstore/default.aspx |
| CCSA | CCSA-TSD-DS-29.060 | 10.4.0 | Published | Jun 12 | http://www.ccsa.org.cn/english/tc/files.php?docpath=/ITU-R/M.1457/M.1457-12/DS |
| ETSI | ETSI TS 129 060 | 10.8.0 | Published | Apr 13 | http://www.etsi.org/deliver/etsi_ts/129000_129099/129060/10.08.00_60/ |

| | | | | | |
|-------------------|-----------------------------|--------|-----------|--------|---|
| TTA | TTAT.3G-29.060(R10-10.5.0) | 10.5.0 | Approved | Aug 12 | http://www.tta.or.kr/data/ttasDown.jsp?where=14688&pk_num=TTAT.3G-29.060(R10-10.5.0) |
| TTC | TS-3GA-29.060(Rel10)v10.8.0 | 10.8.0 | Approved | Jun 13 | http://www.ttc.or.jp/jp/document_list/free/3gpps2013/TS/TS-3GA-29.060(Rel10)v10.8.0.pdf |
| Release 11 | | | | | |
| ATIS | ATIS.3GPP.29.060V1160-2014 | 11.6.0 | Approved | May 14 | https://www.atis.org/docstore/default.aspx |
| CCSA | CCSA-TSD-DS-29.060 | 11.9.0 | Published | Jun 14 | http://www.ccsa.org.cn/english/tc/files.php?docpath=/ITU-R/M.1457/M.1457-12/DS |
| ETSI | ETSI TS 129 060 | 11.6.0 | Published | Apr 13 | http://www.etsi.org/deliver/etsi_ts/129000_129099/129060/11.06.00_60/ |
| TTA | TTAT.3G-29.060(R11-11.6.0) | 11.6.0 | published | Aug 13 | http://www.tta.or.kr/data/ttasDown.jsp?where=14688&pk_num=TTAT.3G-29.060(R11-11.6.0) |
| TTC | TS-3GA-29.060(Rel11)v11.6.0 | 11.6.0 | Approved | Jun 13 | http://www.ttc.or.jp/jp/document_list/free/3gpps2013/TS/TS-3GA-29.060(Rel11)v11.6.0.pdf |

5.1.2.12.123 TS 29.061

Interworking between the Public Land Mobile Network (PLMN) supporting packet based services and Packet Data Networks (PDN)

This document defines the requirements for Packet Domain interworking between a: a) PLMN and PDN; b) PLMN and PLMN. This document is valid for a PLMN in A/Gb mode as well as for a PLMN in Iu mode. If text applies only for one of these systems it is explicitly mentioned by using the terms “A/Gb mode” and “Iu mode”. The A interface does not play any role in the scope of this document although the term “A/Gb mode” is used.

| SDO (2) | Document No. | Version | Status | Issued date | Location (1) |
|-------------------|----------------------------|---------|-----------|-------------|---|
| Release 99 | | | | | |
| CCSA | CCSA-TSD-DS-29.061 | 3.14.1 | Published | Jun 12 | http://www.ccsa.org.cn/english/tc/files.php?docpath=/ITU-R/M.1457/M.1457-12/DS |
| ETSI | ETSI TS 129 061 | 3.14.1 | Published | Jul 05 | http://www.etsi.org/deliver/etsi_ts/129000_129099/129061/03.14.01_60/ |
| TTC | TS-3GA-29.061(R99)v3.14.0 | 3.14.0 | Approved | Feb 04 | http://www.ttc.or.jp/j/document_list/free/TS/TS-3GA-29.061(R99)v3.14.0.pdf |
| Release 4 | | | | | |
| CCSA | CCSA-TSD-DS-29.061 | 4.10.1 | Published | Jun 12 | http://www.ccsa.org.cn/english/tc/files.php?docpath=/ITU-R/M.1457/M.1457-12/DS |
| ETSI | ETSI TS 129 061 | 4.10.1 | Published | Jul 05 | http://www.etsi.org/deliver/etsi_ts/129000_129099/129061/04.10.01_60/ |
| TTC | TS-3GA-29.061(Rel4)v4.10.0 | 4.10.0 | Approved | Aug 04 | http://www.ttc.or.jp/j/document_list/free/TS/TS-3GA-29.061(Rel4)v4.10.0.pdf |
| Release 5 | | | | | |
| CCSA | CCSA-TSD-DS-29.061 | 5.9.1 | Published | Jun 12 | http://www.ccsa.org.cn/english/tc/files.php?docpath=/ITU-R/M.1457/M.1457-12/DS |
| ETSI | ETSI TS 129 061 | 5.9.1 | Published | Jul 05 | http://www.etsi.org/deliver/etsi_ts/129000_129099/129061/05.09.01_60/ |
| TTC | TS-3GA-29.061(Rel5)v5.9.0 | 5.9.0 | Approved | Aug 04 | http://www.ttc.or.jp/j/document_list/free/TS/TS-3GA-29.061(Rel5)v5.9.0.pdf |
| Release 6 | | | | | |
| CCSA | CCSA-TSD-DS-29.061 | 6.15.0 | Published | Jun 12 | http://www.ccsa.org.cn/english/tc/files.php?docpath=/ITU-R/M.1457/M.1457-12/DS |
| ETSI | ETSI TS 129 061 | 6.15.0 | Published | Feb 09 | http://www.etsi.org/deliver/etsi_ts/129000_129099/129061/06.15.00_60/ |
| TTC | TS-3GA-29.061(Rel6)v6.15.0 | 6.15.0 | Approved | Feb 09 | http://www.ttc.or.jp/j/document_list/free/3gpps2009/TS/TS-3GA-29.061(Rel6)v6.15.0.pdf |
| Release 7 | | | | | |
| CCSA | CCSA-TSD-DS-29.061 | 7.12.0 | Published | Jun 12 | http://www.ccsa.org.cn/english/tc/files.php?docpath=/ITU-R/M.1457/M.1457-12/DS |
| ETSI | ETSI TS 129 061 | 7.12.0 | Published | Apr 10 | http://www.etsi.org/deliver/etsi_ts/129000_129099/129061/07.12.00_60/ |
| TTC | TS-3GA-29.061(Rel7)v7.12.0 | 7.12.0 | Approved | Jul 10 | http://www.ttc.or.jp/j/document_list/free/3gpps2010/TS/TS-3GA-29.061(Rel7)v7.12.0.pdf |
| Release 8 | | | | | |
| CCSA | CCSA-TSD-DS-29.061 | 8.8.0 | Published | Jun 12 | http://www.ccsa.org.cn/english/tc/files.php?docpath=/ITU-R/M.1457/M.1457-12/DS |
| ETSI | ETSI TS 129 061 | 8.11.0 | Published | Jan 13 | http://www.etsi.org/deliver/etsi_ts/129000_129099/129061/08.11.00_60/ |
| TTC | TS-3GA-29.061(Rel8)v8.11.0 | 8.11.0 | Approved | Jun 13 | http://www.ttc.or.jp/jp/document_list/free/3gpps2013/TS/TS-3GA-29.061(Rel8)v8.11.0.pdf |
| Release 9 | | | | | |
| ATIS | ATIS.3GPP.29.061V9110-2014 | 9.11.0 | Approved | May 14 | https://www.atis.org/docstore/default.aspx |

| | | | | | |
|-------------------|-----------------------------|--------|-----------|--------|---|
| CCSA | CCSA-TSD-DS-29.061 | 9.8.0 | Published | Jun 12 | http://www.ccsa.org.cn/english/tc/files.php?docpath=/ITU-R/M.1457/M.1457-12/DS |
| ETSI | ETSI TS 129 061 | 9.11.0 | Published | Jan 13 | http://www.etsi.org/deliver/etsi_ts/129000_129099/129061/09.11.00_60/ |
| TTA | TTAT.3G-29.061(R9-9.2.0) | 9.2.0 | Approved | Jul 10 | http://www.tta.or.kr/data/ttasDown.jsp?where=14688&pk_num=TTAT.3G-29.061(R9-9.2.0) |
| TTC | TS-3GA-29.061(Rel9)v9.11.0 | 9.11.0 | Approved | Jun 13 | http://www.ttc.or.jp/jp/document_list/free/3gpps2013/TS/TS-3GA-29.061(Rel9)v9.11.0.pdf |
| Release 10 | | | | | |
| ATIS | ATIS.3GPP.29.061V1090-2014 | 10.9.0 | Approved | May 14 | https://www.atis.org/docstore/default.aspx |
| CCSA | CCSA-TSD-DS-29.061 | 10.5.0 | Published | Jun 12 | http://www.ccsa.org.cn/english/tc/files.php?docpath=/ITU-R/M.1457/M.1457-12/DS |
| ETSI | ETSI TS 129 061 | 10.9.0 | Published | Apr 13 | http://www.etsi.org/deliver/etsi_ts/129000_129099/129061/10.09.00_60/ |
| TTA | TTAT.3G-29.061(R10-10.5.0) | 10.5.0 | Approved | Aug 12 | http://www.tta.or.kr/data/ttasDown.jsp?where=14688&pk_num=TTAT.3G-29.061(R10-10.5.0) |
| TTC | TS-3GA-29.061(Rel10)v10.9.0 | 10.9.0 | Approved | Jun 13 | http://www.ttc.or.jp/jp/document_list/free/3gpps2013/TS/TS-3GA-29.061(Rel10)v10.9.0.pdf |
| Release 11 | | | | | |
| ATIS | ATIS.3GPP.29.061V1140-2014 | 11.4.0 | Approved | May 14 | https://www.atis.org/docstore/default.aspx |
| CCSA | CCSA-TSD-DS-29.061 | 11.7.0 | Published | Jun 14 | http://www.ccsa.org.cn/english/tc/files.php?docpath=/ITU-R/M.1457/M.1457-12/DS |
| ETSI | ETSI TS 129 061 | 11.4.0 | Published | Apr 13 | http://www.etsi.org/deliver/etsi_ts/129000_129099/129061/11.04.00_60/ |
| TTA | TTAT.3G-29.061(R11-11.4.0) | 11.4.0 | published | Aug 13 | http://www.tta.or.kr/data/ttasDown.jsp?where=14688&pk_num=TTAT.3G-29.061(R11-11.4.0) |
| TTC | TS-3GA-29.061(Rel11)v11.4.0 | 11.4.0 | Approved | Jun 13 | http://www.ttc.or.jp/jp/document_list/free/3gpps2013/TS/TS-3GA-29.061(Rel11)v11.4.0.pdf |

5.1.2.12.124 TS 29.078

Customised Applications for Mobile network Enhanced Logic (CAMEL) Phase 4; CAMEL Application Part (CAP) specification

This document specifies the CAMEL Application Part (CAP) supporting the fourth phase of the network feature Customized Applications for Mobile network Enhanced Logic. CAP is based on a sub-set of the ETSI Core INAP CS-2 as specified by ETSI EN 301 140-1. Descriptions and definitions provided by ETSI EN 301 140-1 are directly referenced by this standard in the case no additions or clarifications are needed for the use in the CAP.

| SDO (2) | Document No. | Version | Status | Issued date | Location (1) |
|-------------------|-----------------------------|---------|----------|-------------|---|
| Release 99 | | | | | |
| TTC | TS-3GA-29.078(R99)v3.16.0 | 3.16.0 | Approved | Dec 09 | http://www.ttc.or.jp/j/document_list/free/3gpps2009/TS/TS-3GA-29.078(R99)v3.16.0.pdf |
| Release 4 | | | | | |
| TTC | TS-3GA-29.078(Rel4)v4.9.0 | 4.9.0 | Approved | Dec 09 | http://www.ttc.or.jp/j/document_list/free/3gpps2009/TS/TS-3GA-29.078(Rel4)v4.9.0.pdf |
| Release 5 | | | | | |
| TTC | TS-3GA-29.078(Rel5)v5.10.0 | 5.10.0 | Approved | Dec 09 | http://www.ttc.or.jp/j/document_list/free/3gpps2009/TS/TS-3GA-29.078(Rel5)v5.10.0.pdf |
| Release 6 | | | | | |
| TTC | TS-3GA-29.078(Rel6)v6.6.0 | 6.6.0 | Approved | Dec 09 | http://www.ttc.or.jp/j/document_list/free/3gpps2009/TS/TS-3GA-29.078(Rel6)v6.6.0.pdf |
| Release 7 | | | | | |
| TTC | TS-3GA-29.078(Rel7)v7.6.0 | 7.6.0 | Approved | Oct 10 | http://www.ttc.or.jp/j/document_list/free/3gpps2010/TS/TS-3GA-29.078(Rel7)v7.6.0.pdf |
| Release 8 | | | | | |
| TTC | TS-3GA-29.078(Rel8)v8.3.0 | 8.3.0 | Approved | Oct 10 | http://www.ttc.or.jp/j/document_list/free/3gpps2010/TS/TS-3GA-29.078(Rel8)v8.3.0.pdf |
| Release 9 | | | | | |
| TTC | TS-3GA-29.078(Rel9)v9.2.0 | 9.2.0 | Approved | Oct 10 | http://www.ttc.or.jp/j/document_list/free/3gpps2010/TS/TS-3GA-29.078(Rel9)v9.2.0.pdf |
| Release 10 | | | | | |
| TTC | TS-3GA-29.078(Rel10)v10.0.0 | 10.0.0 | Approved | Jun 11 | http://www.ttc.or.jp/j/document_list/free/3gpps2011/TS/TS-3GA-29.078(Rel10)v10.0.0.pdf |

Release 11

| | | | | | |
|------|-----------------------------|--------|-----------|--------|---|
| ATIS | ATIS.3GPP.29.078V1120-2014 | 11.2.0 | Approved | May 14 | https://www.atis.org/docstore/default.aspx |
| TTA | TTAT.3G-29.078(R11-11.2.0) | 11.2.0 | published | Aug 13 | http://www.tta.or.kr/data/ttasDown.jsp?where=14688&pk_num=TTAT.3G-29.078(R11-11.2.0) |
| TTC | TS-3GA-29.078(Rel11)v11.2.0 | 11.2.0 | Approved | Jun 13 | http://www.ttc.or.jp/j/document_list/free/3gpps2013/TS/TS-3GA-29.078(Rel11)v11.2.0.pdf |

5.1.2.12.125 TS 29.079**Optimal media routeing within the IP Multimedia Subsystem (IMS); Stage 3**

This document defines optional Optimal Media Routeing (OMR) procedures that can be applied by entities in the IP Multimedia Subsystem (IMS) that control media resources and are capable of manipulating the Session Description Protocol (SDP) as defined by IETF RFC 4566. The OMR procedures relate to the handling of OMR-specific SDP attributes that are documented in TS 24.229. The OMR procedures use SDP offer/answer related procedures in IETF RFC 3264 and in 3GPP TS 24.229 in a backward-compatible manner.

| SDO (2) | Document No. | Version | Status | Issued date | Location (1) |
|---------|--------------|---------|--------|-------------|--------------|
|---------|--------------|---------|--------|-------------|--------------|

Release 10

| | | | | | |
|------|-----------------------------|--------|-----------|--------|---|
| ATIS | ATIS.3GPP.29.079V1040-2014 | 10.4.0 | Approved | May 14 | https://www.atis.org/docstore/default.aspx |
| CCSA | CCSA-TSD-DS-29.079 | 10.2.0 | Published | Jun 12 | http://www.ccsa.org.cn/english/tc/files.php?docpath=/ITU-R/M.1457/M.1457-12/DS |
| ETSI | ETSI TS 129 079 | 10.4.0 | Published | Jan 13 | http://www.etsi.org/deliver/etsi_ts/129000_129099/129079/10.04.00_60/ |
| TTA | TTAT.3G-29.079(R10-10.2.0) | 10.2.0 | Approved | Aug 12 | http://www.tta.or.kr/data/ttasDown.jsp?where=14688&pk_num=TTAT.3G-29.079(R10-10.2.0) |
| TTC | TS-3GA-29.079(Rel10)v10.4.0 | 10.4.0 | Approved | Jun 13 | http://www.ttc.or.jp/j/document_list/free/3gpps2013/TS/TS-3GA-29.079(Rel10)v10.4.0.pdf |

Release 11

| | | | | | |
|------|-----------------------------|--------|-----------|--------|---|
| ATIS | ATIS.3GPP.29.079V1130-2014 | 11.3.0 | Approved | May 14 | https://www.atis.org/docstore/default.aspx |
| CCSA | CCSA-TSD-DS-29.079 | 11.4.0 | Published | Jun 14 | http://www.ccsa.org.cn/english/tc/files.php?docpath=/ITU-R/M.1457/M.1457-12/DS |
| ETSI | ETSI TS 129 079 | 11.3.0 | Published | Apr 13 | http://www.etsi.org/deliver/etsi_ts/129000_129099/129079/11.03.00_60/ |
| TTA | TTAT.3G-29.079(R11-11.3.0) | 11.3.0 | published | Aug 13 | http://www.tta.or.kr/data/ttasDown.jsp?where=14688&pk_num=TTAT.3G-29.079(R11-11.3.0) |
| TTC | TS-3GA-29.079(Rel11)v11.3.0 | 11.3.0 | Approved | Jun 13 | http://www.ttc.or.jp/j/document_list/free/3gpps2013/TS/TS-3GA-29.079(Rel11)v11.3.0.pdf |

5.1.2.12.126 TS 29.118**Mobility Management Entity (MME) – Visitor Location Register (VLR) SGs interface specification**

CS Fallback in the Evolved Packet System (EPS) enables the provisioning of CS-domain services (e.g. voice call, Location Services (LCS) or supplementary services) by reuse of CS infrastructure when the UE is served by E-UTRAN. Additionally, SMS delivery via the CS core network is realized without CS fallback. This document specifies the procedures and the SGs Application Part (SGsAP) messages used on the SGs interface between the Mobility Management Entity (MME) in the EPS and the Visitor Location Register (VLR), to allow location management coordination and to relay certain messages related to GSM circuit switched services over the EPS system. It also specifies the use of Stream Control Transmission Protocol (SCTP) for the transport of SGsAP messages.

| SDO (2) | Document No. | Version | Status | Issued date | Location (1) |
|---------|--------------|---------|--------|-------------|--------------|
|---------|--------------|---------|--------|-------------|--------------|

Release 8

| | | | | | |
|------|--------------------|-------|-----------|--------|---|
| CCSA | CCSA-TSD-DS-29.118 | 8.9.0 | Published | Jun 12 | http://www.ccsa.org.cn/english/tc/files.php?docpath=/ITU-R/M.1457/M.1457-12/DS |
|------|--------------------|-------|-----------|--------|---|

| | | | | | |
|-------------------|-----------------------------|---------|-----------|--------|---|
| ETSI | ETSI TS 129 118 | 8.11.0 | Published | Oct 12 | http://www.etsi.org/deliver/etsi_ts/129100_129199/129118/08.11.00_60/ |
| TTC | TS-3GA-29.118(Rel8)v8.11.0 | 8.11.0 | Approved | Dec 12 | http://www.ttc.or.jp/j/document_list/free/3gpps2012/TS/TS-3GA-29.118(Rel8)v8.11.0.pdf |
| Release 9 | | | | | |
| ATIS | ATIS.3GPP.29.118V980-2014 | 9.8.0 | Approved | May 14 | https://www.atis.org/docstore/default.aspx |
| CCSA | CCSA-TSD-DS-29.118 | 9.6.0 | Published | Jun 12 | http://www.ccsa.org.cn/english/tc/files.php?docpath=/ITU-R/M.1457/M.1457-12/DS |
| ETSI | ETSI TS 129 118 | 9.8.0 | Published | Oct 12 | http://www.etsi.org/deliver/etsi_ts/129100_129199/129118/09.08.00_60/ |
| TTA | TTAT.3G-29.118(R9-9.1.0) | 9.1.0 | Approved | Jul 10 | http://www.tta.or.kr/data/ttasDown.jsp?where=14688&pk_num=TTAT.3G-29.118(R9-9.1.0) |
| TTC | TS-3GA-29.118(Rel9)v9.8.0 | 9.8.0 | Approved | Dec 12 | http://www.ttc.or.jp/jp/document_list/free/3gpps2012/TS/TS-3GA-29.118(Rel9)v9.8.0.pdf |
| Release 10 | | | | | |
| ATIS | ATIS.3GPP.29.118V1090-2014 | 10.9.0 | Approved | May 14 | https://www.atis.org/docstore/default.aspx |
| CCSA | CCSA-TSD-DS-29.118 | 10.6.0 | Published | Jun 12 | http://www.ccsa.org.cn/english/tc/files.php?docpath=/ITU-R/M.1457/M.1457-12/DS |
| ETSI | ETSI TS 129 118 | 10.9.0 | Published | Oct 12 | http://www.etsi.org/deliver/etsi_ts/129100_129199/129118/10.09.00_60/ |
| TTA | TTAT.3G-29.118(R10-10.7.0) | 10.7.0 | Approved | Aug 12 | http://www.tta.or.kr/data/ttasDown.jsp?where=14688&pk_num=TTAT.3G-29.118(R10-10.7.0) |
| TTC | TS-3GA-29.118(Rel10)v10.9.0 | 10.9.0 | Approved | Dec 12 | http://www.ttc.or.jp/jp/document_list/free/3gpps2012/TS/TS-3GA-29.118(Rel10)v10.9.0.pdf |
| Release 11 | | | | | |
| ATIS | ATIS.3GPP.29.118V1160-2014 | 11.6.0 | Approved | May 14 | https://www.atis.org/docstore/default.aspx |
| CCSA | CCSA-TSD-DS-29.118 | 11.11.0 | Published | Jun 14 | http://www.ccsa.org.cn/english/tc/files.php?docpath=/ITU-R/M.1457/M.1457-12/DS |
| ETSI | ETSI TS 129 118 | 11.6.0 | Published | Apr 13 | http://www.etsi.org/deliver/etsi_ts/129100_129199/129118/11.06.00_60/ |
| TTA | TTAT.3G-29.118(R11-11.6.0) | 11.6.0 | published | Aug 13 | http://www.tta.or.kr/data/ttasDown.jsp?where=14688&pk_num=TTAT.3G-29.118(R11-11.6.0) |
| TTC | TS-3GA-29.118(Rel11)v11.6.0 | 11.6.0 | Approved | Jun 13 | http://www.ttc.or.jp/jp/document_list/free/3gpps2013/TS/TS-3GA-29.118(Rel11)v11.6.0.pdf |

5.1.2.12.127 TS 29.161

Interworking between the Public Land Mobile Network (PLMN) supporting packet based services with Wireless Local Area Network (WLAN) access and Packet data Networks (PDN)

This document defines the requirements for Packet Domain interworking between a PLMN with WLAN access and PDN; and the requirements for Packet Domain interworking between PLMN with WLAN access and PLMN. This document also defines the usage of Radius at the Pp Reference Point between the Packet Data Gateway and the Presence Network Agent.

| SDO (2) | Document No. | Version | Status | Issued date | Location (1) |
|-------------------|-----------------------------|---------|----------|-------------|---|
| Release 6 | | | | | |
| TTC | TS-3GA-29.161(Rel6)v6.3.0 | 6.3.0 | Approved | Mar 07 | http://www.ttc.or.jp/j/document_list/free/TS/TS-3GA-29.161(Rel6)v6.3.0.pdf |
| Release 7 | | | | | |
| TTC | TS-3GA-29.161(Rel7)v7.2.0 | 7.2.0 | Approved | Mar 08 | http://www.ttc.or.jp/j/document_list/free/TS/TS-3GA-29.161(Rel7)v7.2.0.pdf |
| Release 8 | | | | | |
| TTC | TS-3GA-29.161(Rel8)v8.0.0 | 8.0.0 | Approved | Feb 09 | http://www.ttc.or.jp/j/document_list/free/3gpps2009/TS/TS-3GA-29.161(Rel8)v8.0.0.pdf |
| Release 9 | | | | | |
| TTC | TS-3GA-29.161(Rel9)v9.0.0 | 9.0.0 | Approved | Jul 10 | http://www.ttc.or.jp/j/document_list/free/3gpps2010/TS/TS-3GA-29.161(Rel9)v9.0.0.pdf |
| Release 10 | | | | | |
| TTC | TS-3GA-29.161(Rel10)v10.0.1 | 10.0.1 | Approved | Jun 11 | http://www.ttc.or.jp/j/document_list/free/3gpps2011/TS/TS-3GA-29.161(Rel10)v10.0.1.pdf |
| Release 11 | | | | | |

| | | | | | |
|------|-----------------------------|--------|-----------|--------|---|
| ATIS | ATIS.3GPP.29.161V1100-2014 | 11.0.0 | Approved | May 14 | https://www.atis.org/docstore/default.aspx |
| TTA | TTAT.3G-29.161(R11-11.0.0) | 11.0.0 | published | Aug 13 | http://www.tta.or.kr/data/ttasDown.jsp?where=14688&pk_num=TTAT.3G-29.161(R11-11.0.0) |
| TTC | TS-3GA-29.161(Rel11)v11.0.0 | 11.0.0 | Approved | Jun 13 | http://www.ttc.or.jp/j/document_list/free/3gpps2013/TS/TS-3GA-29.161(Rel11)v11.0.0.pdf |

5.1.2.12.128 TS 29.162

Interworking between the IM CN subsystem and IP networks

The IM CN subsystem interworks with the external IP networks through the Mb reference point. This document details the interworking between the IM CN subsystem and external IP networks for IM service support. It addresses the issues of control plane interworking and, user plane interworking for specific interworking use cases. The document describes the IMS-Ix interface requirements in the form of Use Cases which require H.248 protocol procedures and also details the additional Information Elements required to perform the specific procedures. The IP version Interworking, between IP version 4 (IETF RFC 791) and IP version 6 (IETF RFC 2460) detailed in terms of the processes and protocol mappings required in order to support both mobile originated and terminated calls.

| SDO (2) | Document No. | Version | Status | Issued date | Location (1) |
|-------------------|-----------------------------|---------|-----------|-------------|---|
| Release 6 | | | | | |
| CCSA | CCSA-TSD-DS-29.162 | 6.2.0 | Published | Jun 12 | http://www.ccsa.org.cn/english/tc/files.php?docpath=/ITU-R/M.1457/M.1457-12/DS |
| ETSI | ETSI TS 129 162 | 6.2.0 | Published | Oct 05 | http://www.etsi.org/deliver/etsi_ts/129100_129199/129162/06.02.00_60/ |
| TTC | TS-3GA-29.162(Rel6)v6.2.0 | 6.2.0 | Approved | Nov 05 | http://www.ttc.or.jp/j/document_list/free/TS/TS-3GA-29.162(Rel6)v6.2.0.pdf |
| Release 7 | | | | | |
| CCSA | CCSA-TSD-DS-29.162 | 7.4.0 | Published | Jun 12 | http://www.ccsa.org.cn/english/tc/files.php?docpath=/ITU-R/M.1457/M.1457-12/DS |
| ETSI | ETSI TS 129 162 | 7.4.0 | Published | Oct 10 | http://www.etsi.org/deliver/etsi_ts/129100_129199/129162/07.04.00_60/ |
| TTC | TS-3GA-29.162(Rel7)v7.4.0 | 7.4.0 | Approved | Dec 10 | http://www.ttc.or.jp/j/document_list/free/3gpps2010/TS/TS-3GA-29.162(Rel7)v7.4.0.pdf |
| Release 8 | | | | | |
| CCSA | CCSA-TSD-DS-29.162 | 8.5.0 | Published | Jun 12 | http://www.ccsa.org.cn/english/tc/files.php?docpath=/ITU-R/M.1457/M.1457-12/DS |
| ETSI | ETSI TS 129 162 | 8.5.0 | Published | Jun 11 | http://www.etsi.org/deliver/etsi_ts/129100_129199/129162/08.05.00_60/ |
| TTC | TS-3GA-29.162(Rel8)v8.5.0 | 8.5.0 | Approved | Aug 11 | http://www.ttc.or.jp/j/document_list/free/3gpps2011/TS/TS-3GA-29.162(Rel8)v8.5.0.pdf |
| Release 9 | | | | | |
| ATIS | ATIS.3GPP.29.162V970-2012 | 9.7.0 | Approved | Jul 12 | https://www.atis.org/docstore/default.aspx |
| CCSA | CCSA-TSD-DS-29.162 | 9.7.0 | Published | Jun 12 | http://www.ccsa.org.cn/english/tc/files.php?docpath=/ITU-R/M.1457/M.1457-12/DS |
| ETSI | ETSI TS 129 162 | 9.7.0 | Published | Jun 11 | http://www.etsi.org/deliver/etsi_ts/129100_129199/129162/09.07.00_60/ |
| TTA | TTAT.3G-29.162(R9-9.4.0) | 9.4.0 | Approved | Jul 10 | http://www.tta.or.kr/data/ttasDown.jsp?where=14688&pk_num=TTAT.3G-29.162(R9-9.4.0) |
| TTC | TS-3GA-29.162(Rel9)v9.7.0 | 9.7.0 | Approved | Aug 11 | http://www.ttc.or.jp/j/document_list/free/3gpps2011/TS/TS-3GA-29.162(Rel9)v9.7.0.pdf |
| Release 10 | | | | | |
| ATIS | ATIS.3GPP.29.162V1070-2014 | 10.7.0 | Approved | May 14 | https://www.atis.org/docstore/default.aspx |
| CCSA | CCSA-TSD-DS-29.162 | 10.4.0 | Published | Jun 12 | http://www.ccsa.org.cn/english/tc/files.php?docpath=/ITU-R/M.1457/M.1457-12/DS |
| ETSI | ETSI TS 129 162 | 10.7.0 | Published | Jan 13 | http://www.etsi.org/deliver/etsi_ts/129100_129199/129162/10.07.00_60/ |
| TTA | TTAT.3G-29.162(R10-10.5.0) | 10.5.0 | Approved | Aug 12 | http://www.tta.or.kr/data/ttasDown.jsp?where=14688&pk_num=TTAT.3G-29.162(R10-10.5.0) |
| TTC | TS-3GA-29.162(Rel10)v10.7.0 | 10.7.0 | Approved | Jun 13 | http://www.ttc.or.jp/j/document_list/free/3gpps2013/TS/TS-3GA-29.162(Rel10)v10.7.0.pdf |
| Release 11 | | | | | |
| ATIS | ATIS.3GPP.29.162V1110-2014 | 11.1.0 | Approved | May 14 | https://www.atis.org/docstore/default.aspx |
| CCSA | CCSA-TSD-DS-29.162 | 11.2.0 | Published | Jun 14 | http://www.ccsa.org.cn/english/tc/files.php?docpath=/ITU-R/M.1457/M.1457-12/DS |

| | | | | | |
|------|-----------------------------|--------|-----------|--------|---|
| ETSI | ETSI TS 129 162 | 11.1.0 | Published | Jan 13 | http://www.etsi.org/deliver/etsi_ts/129100_129199/129162/11.01.00_60/ |
| TTA | TTAT.3G-29.162(R11-11.1.0) | 11.1.0 | published | Aug 13 | http://www.tta.or.kr/data/ttasDown.jsp?where=14688&pk_num=TTAT.3G-29.162(R11-11.1.0) |
| TTC | TS-3GA-29.162(Rel11)v11.1.0 | 11.1.0 | Approved | Jun 13 | http://www.ttc.or.jp/jp/document_list/free/3gpps2013/TS/TS-3GA-29.162(Rel11)v11.1.0.pdf |

5.1.2.12.129 TS 29.163

Interworking between the IP Multimedia (IM) Core Network (CN) subsystem and Circuit Switched (CS) networks

This document specifies the principles of interworking between the 3GPP IM CN subsystem and BICC/ISUP based legacy CS networks, in order to support IM basic voice, data and multimedia calls. This document addresses the areas of control and user plane interworking between the IM CN subsystem and CS networks through the network functions, which include the MGCF and IM-MGW. For the specification of control plane interworking, areas such as the interworking between SIP and BICC or ISUP are detailed in terms of the processes and protocol mappings required for the support of both IM originated and terminated voice and multimedia calls. Other areas addressed encompass the transport protocol and signalling issues for negotiation and mapping of bearer capabilities and QoS information.

| SDO (2) | Document No. | Version | Status | Issued date | Location (1) |
|-------------------|-----------------------------|---------|-----------|-------------|---|
| Release 6 | | | | | |
| CCSA | CCSA-TSD-DS-29.163 | 6.12.0 | Published | Jun 12 | http://www.ccsa.org.cn/english/tc/files.php?docpath=/ITU-R/M.1457/M.1457-12/DS |
| ETSI | ETSI TS 129 163 | 6.12.1 | Published | Oct 12 | http://www.etsi.org/deliver/etsi_ts/129100_129199/129163/06.12.01_60/ |
| TTC | TS-3GA-29.163(Rel6)v6.12.0 | 6.12.0 | Approved | Oct 09 | http://www.ttc.or.jp/j/document_list/free/3gpps2009/TS/TS-3GA-29.163(Rel6)v6.12.0.pdf |
| Release 7 | | | | | |
| CCSA | CCSA-TSD-DS-29.163 | 7.25.0 | Published | Jun 12 | http://www.ccsa.org.cn/english/tc/files.php?docpath=/ITU-R/M.1457/M.1457-12/DS |
| ETSI | ETSI TS 129 163 | 7.26.0 | Published | Oct 12 | http://www.etsi.org/deliver/etsi_ts/129100_129199/129163/07.26.00_60/ |
| TTC | TS-3GA-29.163(Rel7)v7.26.0 | 7.26.0 | Approved | Dec 12 | http://www.ttc.or.jp/jp/document_list/free/3gpps2012/TS/TS-3GA-29.163(Rel7)v7.26.0.pdf |
| Release 8 | | | | | |
| CCSA | CCSA-TSD-DS-29.163 | 8.17.0 | Published | Jun 12 | http://www.ccsa.org.cn/english/tc/files.php?docpath=/ITU-R/M.1457/M.1457-12/DS |
| ETSI | ETSI TS 129 163 | 8.21.0 | Published | Apr 13 | http://www.etsi.org/deliver/etsi_ts/129100_129199/129163/08.21.00_60/ |
| TTC | TS-3GA-29.163(Rel8)v8.21.0 | 8.21.0 | Approved | Jun 13 | http://www.ttc.or.jp/jp/document_list/free/3gpps2013/TS/TS-3GA-29.163(Rel8)v8.21.0.pdf |
| Release 9 | | | | | |
| ATIS | ATIS.3GPP.29.163V9130-2014 | 9.13.0 | Approved | May 14 | https://www.atis.org/docstore/default.aspx |
| CCSA | CCSA-TSD-DS-29.163 | 9.8.0 | Published | Jun 12 | http://www.ccsa.org.cn/english/tc/files.php?docpath=/ITU-R/M.1457/M.1457-12/DS |
| ETSI | ETSI TS 129 163 | 9.13.0 | Published | Apr 13 | http://www.etsi.org/deliver/etsi_ts/129100_129199/129163/09.13.00_60/ |
| TTA | TTAT.3G-29.163(R9-9.1.0) | 9.1.0 | Approved | Jul 10 | http://www.tta.or.kr/data/ttasDown.jsp?where=14688&pk_num=TTAT.3G-29.163(R9-9.1.0) |
| TTC | TS-3GA-29.163(Rel9)v9.13.0 | 9.13.0 | Approved | Jun 13 | http://www.ttc.or.jp/jp/document_list/free/3gpps2013/TS/TS-3GA-29.163(Rel9)v9.13.0.pdf |
| Release 10 | | | | | |
| ATIS | ATIS.3GPP.29.163V1090-2014 | 10.9.0 | Approved | May 14 | https://www.atis.org/docstore/default.aspx |
| CCSA | CCSA-TSD-DS-29.163 | 10.4.0 | Published | Jun 12 | http://www.ccsa.org.cn/english/tc/files.php?docpath=/ITU-R/M.1457/M.1457-12/DS |
| ETSI | ETSI TS 129 163 | 10.9.0 | Published | Apr 13 | http://www.etsi.org/deliver/etsi_ts/129100_129199/129163/10.09.00_60/ |
| TTA | TTAT.3G-29.163(R10-10.5.0) | 10.5.0 | Approved | Aug 12 | http://www.tta.or.kr/data/ttasDown.jsp?where=14688&pk_num=TTAT.3G-29.163(R10-10.5.0) |
| TTC | TS-3GA-29.163(Rel10)v10.9.0 | 10.9.0 | Approved | Jun 13 | http://www.ttc.or.jp/jp/document_list/free/3gpps2013/TS/TS-3GA-29.163(Rel10)v10.9.0.pdf |
| Release 11 | | | | | |
| ATIS | ATIS.3GPP.29.163V1160-2014 | 11.6.0 | Approved | May 14 | https://www.atis.org/docstore/default.aspx |

| | | | | | |
|------|-----------------------------|---------|-----------|--------|---|
| CCSA | CCSA-TSD-DS-29.163 | 11.11.0 | Published | Jun 14 | http://www.ccsa.org.cn/english/tc/files.php?docpath=/ITU-R/M.1457/M.1457-12/DS |
| ETSI | ETSI TS 129 163 | 11.6.0 | Published | Apr 13 | http://www.etsi.org/deliver/etsi_ts/129100_129199/129163/11.06.00_60/ |
| TTA | TTAT.3G-29.163(R11-11.6.0) | 11.6.0 | published | Aug 13 | http://www.tta.or.kr/data/ttasDown.jsp?where=14688&pk_num=TTAT.3G-29.163(R11-11.6.0) |
| TTC | TS-3GA-29.163(Rel11)v11.6.0 | 11.6.0 | Approved | Jun 13 | http://www.ttc.or.jp/jp/document_list/free/3gpps2013/TS/TS-3GA-29.163(Rel11)v11.6.0.pdf |

5.1.2.12.130 TS 29.164

Interworking between the 3GPP CS domain with BICC or ISUP as signalling protocol and external SIP-I networks

This document defines interworking procedures between a 3GPP CS domain (see 3GPP TS 23.205) which applies either BICC or ISUP as signalling protocol, and external networks that use SIP-I (see ITU-T Q.1912.5, Profile C) as signalling protocol. The document also describes the related interworking architecture. The control plane interworking is performed by an interworking unit at the interconnection between the 3GPP CS domain and an external SIP-I network. The user plane interworking is performed by an MGW. The document defines stage 2 procedures for the control of the MGW.

| SDO (2) | Document No. | Version | Status | Issued date | Location (1) |
|-------------------|-----------------------------|---------|-----------|-------------|---|
| Release 7 | | | | | |
| CCSA | CCSA-TSD-DS-29.164 | 7.0.0 | Published | Jul 07 | http://www.ccsa.org.cn/english/tc/files.php?docpath=/ITU-R/M.1457/M.1457-12/DS |
| ETSI | ETSI TS 129 164 | 7.0.0 | Published | Jul 07 | http://www.etsi.org/deliver/etsi_ts/129100_129199/129164/07.00.00_60/ |
| TTA | TTAT.3G-29.164(R7-7.0.0) | 7.0.0 | Approved | Apr 08 | http://www.tta.or.kr/data/ttasDown.jsp?where=14688&pk_num=TTAT.3G-29.164(R7-7.0.0) |
| TTC | TS-3GA-29.164(Rel7)v7.0.0 | 7.0.0 | Approved | Mar 08 | http://www.ttc.or.jp/j/document_list/free/TS/TS-3GA-29.164(Rel7)v7.0.0.pdf |
| Release 8 | | | | | |
| ATIS | ATIS.3GPP.29.164V810-2010 | 8.1.0 | Approved | Jul 10 | https://www.atis.org/docstore/default.aspx |
| CCSA | CCSA-TSD-DS-29.164 | 8.1.0 | Published | Mar 10 | http://www.ccsa.org.cn/english/tc/files.php?docpath=/ITU-R/M.1457/M.1457-12/DS |
| ETSI | ETSI TS 129 164 | 8.1.0 | Published | Jun 09 | http://www.etsi.org/deliver/etsi_ts/129100_129199/129164/08.01.00_60/ |
| TTA | TTAT.3G-29.164(R8-8.0.0) | 8.0.0 | Approved | Jul 09 | http://www.tta.or.kr/data/ttasDown.jsp?where=14688&pk_num=TTAT.3G-29.164(R8-8.0.0) |
| TTC | TS-3GA-29.164(Rel8)v8.1.0 | 8.1.0 | Approved | Oct 09 | http://www.ttc.or.jp/j/document_list/free/3gpps2009/TS/TS-3GA-29.164(Rel8)v8.1.0.pdf |
| Release 9 | | | | | |
| ATIS | ATIS.3GPP.29.164V920-2012 | 9.2.0 | Approved | Jul 12 | https://www.atis.org/docstore/default.aspx |
| CCSA | CCSA-TSD-DS-29.164 | 9.2.0 | Published | Jun 12 | http://www.ccsa.org.cn/english/tc/files.php?docpath=/ITU-R/M.1457/M.1457-12/DS |
| ETSI | ETSI TS 129 164 | 9.2.0 | Published | Oct 10 | http://www.etsi.org/deliver/etsi_ts/129100_129199/129164/09.02.00_60/ |
| TTA | TTAT.3G-29.164(R9-9.0.0) | 9.0.0 | Approved | Jul 10 | http://www.tta.or.kr/data/ttasDown.jsp?where=14688&pk_num=TTAT.3G-29.164(R9-9.0.0) |
| TTC | TS-3GA-29.164(Rel9)v9.2.0 | 9.2.0 | Approved | Dec 10 | http://www.ttc.or.jp/j/document_list/free/3gpps2010/TS/TS-3GA-29.164(Rel9)v9.2.0.pdf |
| Release 10 | | | | | |
| ATIS | ATIS.3GPP.29.164V1001-2012 | 10.0.1 | Approved | Jul 12 | https://www.atis.org/docstore/default.aspx |
| CCSA | CCSA-TSD-DS-29.164 | 10.0.1 | Published | Jun 12 | http://www.ccsa.org.cn/english/tc/files.php?docpath=/ITU-R/M.1457/M.1457-12/DS |
| ETSI | ETSI TS 129 164 | 10.0.1 | Published | Apr 11 | http://www.etsi.org/deliver/etsi_ts/129100_129199/129164/10.00.01_60/ |
| TTA | TTAT.3G-29.164(R10-10.0.1) | 10.0.1 | Approved | Apr 12 | http://www.tta.or.kr/data/ttasDown.jsp?where=14688&pk_num=TTAT.3G-29.164(R10-10.0.1) |
| TTC | TS-3GA-29.164(Rel10)v10.0.1 | 10.0.1 | Approved | Jun 11 | http://www.ttc.or.jp/j/document_list/free/3gpps2011/TS/TS-3GA-29.164(Rel10)v10.0.1.pdf |
| Release 11 | | | | | |
| ATIS | ATIS.3GPP.29.164V1100-2014 | 11.0.0 | Approved | May 14 | https://www.atis.org/docstore/default.aspx |
| CCSA | CCSA-TSD-DS-29.164 | 11.0.0 | Published | Jun 14 | http://www.ccsa.org.cn/english/tc/files.php?docpath=/ITU-R/M.1457/M.1457-12/DS |
| ETSI | ETSI TS 129 164 | 11.0.0 | Published | Oct 12 | http://www.etsi.org/deliver/etsi_ts/129100_129199/129164/11.00.00_60/ |
| TTA | TTAT.3G-29.164(R11-11.0.0) | 11.0.0 | published | Aug 13 | http://www.tta.or.kr/data/ttasDown.jsp?where=14688&pk_num=TTAT.3G-29.164(R11-11.0.0) |
| TTC | TS-3GA-29.164(Rel11)v11.0.0 | 11.0.0 | Approved | Jun 13 | http://www.ttc.or.jp/j/document_list/free/3gpps2013/TS/TS-3GA-29.164(Rel11)v11.0.0.pdf |

5.1.2.12.131 TS 29.165

Inter-IMS Network to Network Interface (NNI)

The objective of this document addresses the Inter-IMS Network to Network Interface (II-NNI) consisting of Ici and Izi reference points between IMS networks in order to support end-to-end service interoperability. The document addresses the issues related to control plane signalling (3GPP usage of SIP and SDP protocols, required SIP header fields) as well as other interconnecting aspects like security, numbering/naming/addressing and user plane issues as transport protocol, media and codecs actually covered in a widespread set of 3GPP specifications. A profiling of the Inter-IMS Network to Network Interface (II-NNI) is also provided. Charging aspects are addressed as far as SIP signalling is concerned.

| SDO (2) | Document No. | Version | Status | Issued date | Location (1) |
|-------------------|------------------------------|---------|-----------|-------------|---|
| Release 8 | | | | | |
| CCSA | CCSA-TSD-DS-29.165 | 8.10.0 | Published | Jun 12 | http://www.ccsa.org.cn/english/tc/files.php?docpath=/ITU-R/M.1457/M.1457-12/DS |
| ETSI | ETSI TS 129 165 | 8.12.0 | Published | Apr 13 | http://www.etsi.org/deliver/etsi_ts/129100_129199/129165/08.12.00_60/ |
| TTC | TS-3GA-29.165(Rel8)v8.12.0 | 8.12.0 | Approved | Jun 13 | http://www.ttc.or.jp/j/document_list/free/3gpps2013/TS/TS-3GA-29.165(Rel8)v8.12.0.pdf |
| Release 9 | | | | | |
| ATIS | ATIS.3GPP.29.165V9140-2014 | 9.14.0 | Approved | May 14 | https://www.atis.org/docstore/default.aspx |
| CCSA | CCSA-TSD-DS-29.165 | 9.9.0 | Published | Jun 12 | http://www.ccsa.org.cn/english/tc/files.php?docpath=/ITU-R/M.1457/M.1457-12/DS |
| ETSI | ETSI TS 129 165 | 9.14.0 | Published | Apr 13 | http://www.etsi.org/deliver/etsi_ts/129100_129199/129165/09.14.00_60/ |
| TTA | TTAT.3G-29.165(R9-9.2.0) | 9.2.0 | Approved | Jul 10 | http://www.tta.or.kr/data/ttasDown.jsp?where=14688&pk_num=TTAT.3G-29.165(R9-9.2.0) |
| TTC | TS-3GA-29.165(Rel9)v9.14.0 | 9.14.0 | Approved | Jun 13 | http://www.ttc.or.jp/jp/document_list/free/3gpps2013/TS/TS-3GA-29.165(Rel9)v9.14.0.pdf |
| Release 10 | | | | | |
| ATIS | ATIS.3GPP.29.165V10110- | 10.11.0 | Approved | May 14 | https://www.atis.org/docstore/default.aspx |
| CCSA | CCSA-TSD-DS-29.165 | 10.6.0 | Published | Jun 12 | http://www.ccsa.org.cn/english/tc/files.php?docpath=/ITU-R/M.1457/M.1457-12/DS |
| ETSI | ETSI TS 129 165 | 10.11.0 | Published | Apr 13 | http://www.etsi.org/deliver/etsi_ts/129100_129199/129165/10.11.00_60/ |
| TTA | TTAT.3G-29.165(R10-10.7.0) | 10.7.0 | Approved | Aug 12 | http://www.tta.or.kr/data/ttasDown.jsp?where=14688&pk_num=TTAT.3G-29.165(R10-10.7.0) |
| TTC | TS-3GA-29.165(Rel10)v10.11.0 | 10.11.0 | Approved | Jun 13 | http://www.ttc.or.jp/jp/document_list/free/3gpps2013/TS/TS-3GA-29.165(Rel10)v10.11.0.pdf |
| Release 11 | | | | | |
| ATIS | ATIS.3GPP.29.165V1160-2014 | 11.6.0 | Approved | May 14 | https://www.atis.org/docstore/default.aspx |
| CCSA | CCSA-TSD-DS-29.165 | 11.11.0 | Published | Jun 14 | http://www.ccsa.org.cn/english/tc/files.php?docpath=/ITU-R/M.1457/M.1457-12/DS |
| ETSI | ETSI TS 129 165 | 11.6.0 | Published | Apr 13 | http://www.etsi.org/deliver/etsi_ts/129100_129199/129165/11.06.00_60/ |
| TTA | TTAT.3G-29.165(R11-11.6.0) | 11.6.0 | published | Aug 13 | http://www.tta.or.kr/data/ttasDown.jsp?where=14688&pk_num=TTAT.3G-29.165(R11-11.6.0) |
| TTC | TS-3GA-29.165(Rel11)v11.6.0 | 11.6.0 | Approved | Jun 13 | http://www.ttc.or.jp/jp/document_list/free/3gpps2013/TS/TS-3GA-29.165(Rel11)v11.6.0.pdf |

5.1.2.12.132 TS 29.168

Cell Broadcast Centre interfaces with the Evolved Packet Core; Stage 3

This document specifies the procedures and the SBc Application Part (SBc-AP) messages used on the SBc-AP interface between the Mobility Management Entity (MME) and the Cell Broadcast Centre (CBC). This document supports the following functions.- Warning Message Transmission function in the EPS.

| SDO (2) | Document No. | Version | Status | Issued date | Location (1) |
|---------|--------------|---------|--------|-------------|--------------|
|---------|--------------|---------|--------|-------------|--------------|

Release 8

| | | | | | |
|------|---------------------------|-------|-----------|--------|---|
| CCSA | CCSA-TSD-DS-29.168 | 8.4.0 | Published | Jun 12 | http://www.ccsa.org.cn/english/tc/files.php?docpath=/ITU-R/M.1457/M.1457-12/DS |
| ETSI | ETSI TS 129 168 | 8.4.0 | Published | Oct 10 | http://www.etsi.org/deliver/etsi_ts/129100_129199/129168/08.04.00_60/ |
| TTC | TS-3GA-29.168(Rel8)v8.4.0 | 8.4.0 | Approved | Dec 10 | http://www.ttc.or.jp/j/document_list/free/3gpps2010/TS/TS-3GA-29.168(Rel8)v8.4.0.pdf |

Release 9

| | | | | | |
|------|---------------------------|-------|-----------|--------|---|
| ATIS | ATIS.3GPP.29.168V950-2014 | 9.5.0 | Approved | May 14 | https://www.atis.org/docstore/default.aspx |
| CCSA | CCSA-TSD-DS-29.168 | 9.4.0 | Published | Jun 12 | http://www.ccsa.org.cn/english/tc/files.php?docpath=/ITU-R/M.1457/M.1457-12/DS |
| ETSI | ETSI TS 129 168 | 9.5.0 | Published | Apr 12 | http://www.etsi.org/deliver/etsi_ts/129100_129199/129168/09.05.00_60/ |
| TTA | TTAT.3G-29.168(R9-9.0.0) | 9.0.0 | Approved | Jul 10 | http://www.tta.or.kr/data/ttasDown.jsp?where=14688&pk_num=TTAT.3G-29.168(R9-9.0.0) |
| TTC | TS-3GA-29.168(Rel9)v9.5.0 | 9.5.0 | Approved | Jun 12 | http://www.ttc.or.jp/j/document_list/free/3gpps2012/TS/TS-3GA-29.168(Rel9)v9.5.0.pdf |

Release 10

| | | | | | |
|------|-----------------------------|--------|-----------|--------|---|
| ATIS | ATIS.3GPP.29.168V1020-2014 | 10.2.0 | Approved | May 14 | https://www.atis.org/docstore/default.aspx |
| CCSA | CCSA-TSD-DS-29.168 | 10.1.0 | Published | Jun 12 | http://www.ccsa.org.cn/english/tc/files.php?docpath=/ITU-R/M.1457/M.1457-12/DS |
| ETSI | ETSI TS 129 168 | 10.2.0 | Published | Apr 12 | http://www.etsi.org/deliver/etsi_ts/129100_129199/129168/10.02.00_60/ |
| TTA | TTAT.3G-29.168(R10-10.2.0) | 10.2.0 | Approved | Aug 12 | http://www.tta.or.kr/data/ttasDown.jsp?where=14688&pk_num=TTAT.3G-29.168(R10-10.2.0) |
| TTC | TS-3GA-29.168(Rel10)v10.2.0 | 10.2.0 | Approved | Jun 12 | http://www.ttc.or.jp/j/document_list/free/3gpps2012/TS/TS-3GA-29.168(Rel10)v10.2.0.pdf |

Release 11

| | | | | | |
|------|-----------------------------|--------|-----------|--------|---|
| ATIS | ATIS.3GPP.29.168V1140-2014 | 11.4.0 | Approved | May 14 | https://www.atis.org/docstore/default.aspx |
| CCSA | CCSA-TSD-DS-29.168 | 11.4.0 | Published | Jun 14 | http://www.ccsa.org.cn/english/tc/files.php?docpath=/ITU-R/M.1457/M.1457-12/DS |
| ETSI | ETSI TS 129 168 | 11.4.0 | Published | Oct 12 | http://www.etsi.org/deliver/etsi_ts/129100_129199/129168/11.04.00_60/ |
| TTA | TTAT.3G-29.168(R11-11.4.0) | 11.4.0 | published | Aug 13 | http://www.tta.or.kr/data/ttasDown.jsp?where=14688&pk_num=TTAT.3G-29.168(R11-11.4.0) |
| TTC | TS-3GA-29.168(Rel11)v11.4.0 | 11.4.0 | Approved | Jun 13 | http://www.ttc.or.jp/j/document_list/free/3gpps2013/TS/TS-3GA-29.168(Rel11)v11.4.0.pdf |

5.1.2.12.133 TS 29.171**Location Services (LCS); LCS Application Protocol (LCS-AP) between the Mobile Management Entity (MME) and Evolved Serving Mobile Location Centre (E-SMLC); SLs interface**

This document specifies the procedures and information coding for LCS Application Protocol (LCS-AP) that is needed to support the location services in E-UTRAN. The LCS-AP message set is applicable to the SLs interface between the E-SMLC and the MME. LCS-AP is developed in accordance to the general principles stated in 3GPP TS 23.271.

| SDO (2) | Document No. | Version | Status | Issued date | Location (1) |
|-------------------|----------------------------|---------|-----------|-------------|---|
| Release 9 | | | | | |
| ATIS | ATIS.3GPP.29.171V940-2012 | 9.4.0 | Approved | Jul 12 | https://www.atis.org/docstore/default.aspx |
| CCSA | CCSA-TSD-DS-29.171 | 9.4.0 | Published | Jun 12 | http://www.ccsa.org.cn/english/tc/files.php?docpath=/ITU-R/M.1457/M.1457-12/DS |
| ETSI | ETSI TS 129 171 | 9.4.0 | Published | Jun 11 | http://www.etsi.org/deliver/etsi_ts/129100_129199/129171/09.04.00_60/ |
| TTA | TTAT.3G-29.171(R9-9.0.0) | 9.0.0 | Approved | Jul 10 | http://www.tta.or.kr/data/ttasDown.jsp?where=14688&pk_num=TTAT.3G-29.171(R9-9.0.0) |
| TTC | TS-3GA-29.171(Rel9)v9.4.0 | 9.4.0 | Approved | Aug 11 | http://www.ttc.or.jp/j/document_list/free/3gpps2011/TS/TS-3GA-29.171(Rel9)v9.4.0.pdf |
| Release 10 | | | | | |
| ATIS | ATIS.3GPP.29.171V1040-2014 | 10.4.0 | Approved | May 14 | https://www.atis.org/docstore/default.aspx |
| CCSA | CCSA-TSD-DS-29.171 | 10.3.0 | Published | Jun 12 | http://www.ccsa.org.cn/english/tc/files.php?docpath=/ITU-R/M.1457/M.1457-12/DS |
| ETSI | ETSI TS 129 171 | 10.4.0 | Published | Jan 13 | http://www.etsi.org/deliver/etsi_ts/129100_129199/129171/10.04.00_60/ |

| | | | | | |
|-------------------|-----------------------------|--------|-----------|--------|---|
| TTA | TTAT.3G-29.171(R10-10.3.0) | 10.3.0 | Approved | Apr 12 | http://www.tta.or.kr/data/ttasDown.jsp?where=14688&pk_num=TTAT.3G-29.171(R10-10.3.0) |
| TTC | TS-3GA-29.171(Rel10)v10.4.0 | 10.4.0 | Approved | Jun 13 | http://www.ttc.or.jp/j/document_list/free/3gpps2013/TS/TS-3GA-29.171(Rel10)v10.4.0.pdf |
| Release 11 | | | | | |
| ATIS | ATIS.3GPP.29.171V1120-2014 | 11.2.0 | Approved | May 14 | https://www.atis.org/docstore/default.aspx |
| CCSA | CCSA-TSD-DS-29.171 | 11.3.0 | Published | Jun 14 | http://www.ccsa.org.cn/english/tc/files.php?docpath=/ITU-R/M.1457/M.1457-12/DS |
| ETSI | ETSI TS 129 171 | 11.2.0 | Published | Jan 13 | http://www.etsi.org/deliver/etsi_ts/129100_129199/129171/11.02.00_60/ |
| TTA | TTAT.3G-29.171(R11-11.2.0) | 11.2.0 | published | Aug 13 | http://www.tta.or.kr/data/ttasDown.jsp?where=14688&pk_num=TTAT.3G-29.171(R11-11.2.0) |
| TTC | TS-3GA-29.171(Rel11)v11.2.0 | 11.2.0 | Approved | Jun 13 | http://www.ttc.or.jp/jp/document_list/free/3gpps2013/TS/TS-3GA-29.171(Rel11)v11.2.0.pdf |

5.1.2.12.134 TS 29.172

Location Services (LCS); Evolved Packet Core (EPC) LCS Protocol (ELP) between the Gateway Mobile Location Centre (GMLC) and the Mobile Management Entity (MME); SLg interface

This document specifies the procedures and information coding for the EPC LCS Protocol (ELP) that is needed to support the location services in E-UTRAN. The ELP message set is applicable to the SLg interface between the MME and the GMLC. ELP is developed in accordance to the general principles stated in 3GPP TS 23.271

| SDO (2) | Document No. | Version | Status | Issued date | Location (1) |
|-------------------|-----------------------------|---------|-----------|-------------|---|
| Release 9 | | | | | |
| ATIS | ATIS.3GPP.29.172V940-2012 | 9.4.0 | Approved | Jul 12 | https://www.atis.org/docstore/default.aspx |
| CCSA | CCSA-TSD-DS-29.172 | 9.4.0 | Published | Jun 12 | http://www.ccsa.org.cn/english/tc/files.php?docpath=/ITU-R/M.1457/M.1457-12/DS |
| ETSI | ETSI TS 129 172 | 9.4.0 | Published | Apr 11 | http://www.etsi.org/deliver/etsi_ts/129100_129199/129172/09.04.00_60/ |
| TTA | TTAT.3G-29.172(R9-9.0.0) | 9.0.0 | Approved | Jul 10 | http://www.tta.or.kr/data/ttasDown.jsp?where=14688&pk_num=TTAT.3G-29.172(R9-9.0.0) |
| TTC | TS-3GA-29.172(Rel9)v9.4.0 | 9.4.0 | Approved | Jun 11 | http://www.ttc.or.jp/j/document_list/free/3gpps2011/TS/TS-3GA-29.172(Rel9)v9.4.0.pdf |
| Release 10 | | | | | |
| ATIS | ATIS.3GPP.29.172V1010-2012 | 10.1.0 | Approved | Jul 12 | https://www.atis.org/docstore/default.aspx |
| CCSA | CCSA-TSD-DS-29.172 | 10.1.0 | Published | Jun 12 | http://www.ccsa.org.cn/english/tc/files.php?docpath=/ITU-R/M.1457/M.1457-12/DS |
| ETSI | ETSI TS 129 172 | 10.1.0 | Published | Oct 11 | http://www.etsi.org/deliver/etsi_ts/129100_129199/129172/10.01.00_60/ |
| TTA | TTAT.3G-29.172(R10-10.1.0) | 10.1.0 | Approved | Apr 12 | http://www.tta.or.kr/data/ttasDown.jsp?where=14688&pk_num=TTAT.3G-29.172(R10-10.1.0) |
| TTC | TS-3GA-29.172(Rel10)v10.1.0 | 10.1.0 | Approved | Dec 11 | http://www.ttc.or.jp/jp/document_list/free/3gpps2011/TS/TS-3GA-29.172(Rel10)v10.1.0.pdf |
| Release 11 | | | | | |
| ATIS | ATIS.3GPP.29.172V1100-2014 | 11.0.0 | Approved | May 14 | https://www.atis.org/docstore/default.aspx |
| CCSA | CCSA-TSD-DS-29.172 | 11.1.0 | Published | Jun 14 | http://www.ccsa.org.cn/english/tc/files.php?docpath=/ITU-R/M.1457/M.1457-12/DS |
| ETSI | ETSI TS 129 172 | 11.0.0 | Published | Oct 12 | http://www.etsi.org/deliver/etsi_ts/129100_129199/129172/11.00.00_60/ |
| TTA | TTAT.3G-29.172(R11-11.0.0) | 11.0.0 | published | Aug 13 | http://www.tta.or.kr/data/ttasDown.jsp?where=14688&pk_num=TTAT.3G-29.172(R11-11.0.0) |
| TTC | TS-3GA-29.172(Rel11)v11.0.0 | 11.0.0 | Approved | Jun 13 | http://www.ttc.or.jp/jp/document_list/free/3gpps2013/TS/TS-3GA-29.172(Rel11)v11.0.0.pdf |

5.1.2.12.135 TS 29.173

Location Services (LCS); Diameter-based SLh interface for Control Plane LCS

This document describes the Diameter-based SLh interface between the GMLC and the HSS defined for the Control Plane LCS in EPC.

| SDO (2) | Document No. | Version | Status | Issued date | Location (1) |
|-------------------|-----------------------------|---------|-----------|-------------|---|
| Release 9 | | | | | |
| ATIS | ATIS.3GPP.29.173V940-2014 | 9.4.0 | Approved | May 14 | https://www.atis.org/docstore/default.aspx |
| CCSA | CCSA-TSD-DS-29.173 | 9.2.0 | Published | Jun 12 | http://www.ccsa.org.cn/english/tc/files.php?docpath=/ITU-R/M.1457/M.1457-12/DS |
| ETSI | ETSI TS 129 173 | 9.4.0 | Published | Jan 13 | http://www.etsi.org/deliver/etsi_ts/129100_129199/129173/09.04.00_60/ |
| TTA | TTAT.3G-29.173(R9-9.0.0) | 9.0.0 | Approved | Jul 10 | http://www.tta.or.kr/data/ttasDown.jsp?where=14688&pk_num=TTAT.3G-29.173(R9-9.0.0) |
| TTC | TS-3GA-29.173(Rel9)v9.4.0 | 9.4.0 | Approved | Jun 13 | http://www.ttc.or.jp/j/document_list/free/3gpps2013/TS/TS-3GA-29.173(Rel9)v9.4.0.pdf |
| Release 10 | | | | | |
| ATIS | ATIS.3GPP.29.173V1040-2014 | 10.4.0 | Approved | May 14 | https://www.atis.org/docstore/default.aspx |
| CCSA | CCSA-TSD-DS-29.173 | 10.1.0 | Published | Jun 12 | http://www.ccsa.org.cn/english/tc/files.php?docpath=/ITU-R/M.1457/M.1457-12/DS |
| ETSI | ETSI TS 129 173 | 10.4.0 | Published | Jan 13 | http://www.etsi.org/deliver/etsi_ts/129100_129199/129173/10.04.00_60/ |
| TTA | TTAT.3G-29.173(R10-10.2.0) | 10.2.0 | Approved | Aug 12 | http://www.tta.or.kr/data/ttasDown.jsp?where=14688&pk_num=TTAT.3G-29.173(R10-10.2.0) |
| TTC | TS-3GA-29.173(Rel10)v10.4.0 | 10.4.0 | Approved | Jun 13 | http://www.ttc.or.jp/j/document_list/free/3gpps2013/TS/TS-3GA-29.173(Rel10)v10.4.0.pdf |
| Release 11 | | | | | |
| ATIS | ATIS.3GPP.29.173V1110-2014 | 11.1.0 | Approved | May 14 | https://www.atis.org/docstore/default.aspx |
| CCSA | CCSA-TSD-DS-29.173 | 11.1.0 | Published | Jun 14 | http://www.ccsa.org.cn/english/tc/files.php?docpath=/ITU-R/M.1457/M.1457-12/DS |
| ETSI | ETSI TS 129 173 | 11.1.0 | Published | Jan 13 | http://www.etsi.org/deliver/etsi_ts/129100_129199/129173/11.01.00_60/ |
| TTA | TTAT.3G-29.173(R11-11.1.0) | 11.1.0 | published | Aug 13 | http://www.tta.or.kr/data/ttasDown.jsp?where=14688&pk_num=TTAT.3G-29.173(R11-11.1.0) |
| TTC | TS-3GA-29.173(Rel11)v11.1.0 | 11.1.0 | Approved | Jun 13 | http://www.ttc.or.jp/j/document_list/free/3gpps2013/TS/TS-3GA-29.173(Rel11)v11.1.0.pdf |

5.1.2.12.136 TS 29.202

Signalling System No. 7 (SS7) signalling transport in core network; Stage 3

This document defines the possible protocol architectures for transport of SS7 signalling protocols in Core Network.

| SDO (2) | Document No. | Version | Status | Issued date | Location (1) |
|------------------|---------------------------|---------|-----------|-------------|---|
| Release 4 | | | | | |
| CCSA | CCSA-TSD-DS-29.202 | 4.3.0 | Published | Jun 12 | http://www.ccsa.org.cn/english/tc/files.php?docpath=/ITU-R/M.1457/M.1457-12/DS |
| ETSI | ETSI TS 129 202 | 4.3.0 | Published | Jan 03 | http://www.etsi.org/deliver/etsi_ts/129200_129299/129202/04.03.00_60/ |
| TTC | TS-3GA-29.202(Rel4)v4.3.0 | 4.3.0 | Approved | Feb 03 | http://www.ttc.or.jp/j/document_list/free/TS/TS-3GA-29.202(Rel4)v4.3.0.pdf |
| Release 5 | | | | | |
| CCSA | CCSA-TSD-DS-29.202 | 5.2.0 | Published | Jun 12 | http://www.ccsa.org.cn/english/tc/files.php?docpath=/ITU-R/M.1457/M.1457-12/DS |
| ETSI | ETSI TS 129 202 | 5.2.0 | Published | Jan 03 | http://www.etsi.org/deliver/etsi_ts/129200_129299/129202/05.02.00_60/ |
| TTC | TS-3GA-29.202(Rel5)v5.2.0 | 5.2.0 | Approved | Feb 03 | http://www.ttc.or.jp/j/document_list/free/TS/TS-3GA-29.202(Rel5)v5.2.0.pdf |
| Release 6 | | | | | |
| CCSA | CCSA-TSD-DS-29.202 | 6.0.0 | Published | Jun 12 | http://www.ccsa.org.cn/english/tc/files.php?docpath=/ITU-R/M.1457/M.1457-12/DS |
| ETSI | ETSI TS 129 202 | 6.0.0 | Published | Jan 05 | http://www.etsi.org/deliver/etsi_ts/129200_129299/129202/06.00.00_60/ |
| TTC | TS-3GA-29.202(Rel6)v6.0.0 | 6.0.0 | Approved | Mar 05 | http://www.ttc.or.jp/j/document_list/free/TS/TS-3GA-29.202(Rel6)v6.0.0.pdf |
| Release 7 | | | | | |
| CCSA | CCSA-TSD-DS-29.202 | 7.0.0 | Published | Jun 12 | http://www.ccsa.org.cn/english/tc/files.php?docpath=/ITU-R/M.1457/M.1457-12/DS |
| ETSI | ETSI TS 129 202 | 7.0.0 | Published | Jul 07 | http://www.etsi.org/deliver/etsi_ts/129200_129299/129202/07.00.00_60/ |

| | | | | | |
|-------------------|-----------------------------|--------|-----------|--------|---|
| TTC | TS-3GA-29.202(Rel7)v7.0.0 | 7.0.0 | Approved | Mar 08 | http://www.ttc.or.jp/j/document_list/free/TS/TS-3GA-29.202(Rel7)v7.0.0.pdf |
| Release 8 | | | | | |
| CCSA | CCSA-TSD-DS-29.202 | 8.1.1 | Published | Jun 12 | http://www.ccsa.org.cn/english/tc/files.php?docpath=/ITU-R/M.1457/M.1457-12/DS |
| ETSI | ETSI TS 129 202 | 8.1.1 | Published | Jan 09 | http://www.etsi.org/deliver/etsi_ts/129200_129299/129202/08.01.01_60/ |
| TTC | TS-3GA-29.202(Rel8)v8.1.0 | 8.1.0 | Approved | Feb 09 | http://www.ttc.or.jp/j/document_list/free/3gpps2009/TS/TS-3GA-29.202(Rel8)v8.1.0.pdf |
| Release 9 | | | | | |
| CCSA | CCSA-TSD-DS-29.202 | 9.0.0 | Published | Jun 12 | http://www.ccsa.org.cn/english/tc/files.php?docpath=/ITU-R/M.1457/M.1457-12/DS |
| ETSI | ETSI TS 129 202 | 9.0.0 | Published | Jan 10 | http://www.etsi.org/deliver/etsi_ts/129200_129299/129202/09.00.00_60/ |
| TTC | TS-3GA-29.202(Rel9)v9.0.0 | 9.0.0 | Approved | Jul 10 | http://www.ttc.or.jp/j/document_list/free/3gpps2010/TS/TS-3GA-29.202(Rel9)v9.0.0.pdf |
| Release 10 | | | | | |
| ATIS | ATIS.3GPP.29.202V1010-2012 | 10.1.0 | Approved | Jul 12 | https://www.atis.org/docstore/default.aspx |
| CCSA | CCSA-TSD-DS-29.202 | 10.1.0 | Published | Jun 12 | http://www.ccsa.org.cn/english/tc/files.php?docpath=/ITU-R/M.1457/M.1457-12/DS |
| ETSI | ETSI TS 129 202 | 10.1.0 | Published | Jun 11 | http://www.etsi.org/deliver/etsi_ts/129200_129299/129202/10.01.00_60/ |
| TTA | TTAT.3G-29.202(R10-10.1.0) | 10.1.0 | Approved | Apr 12 | http://www.tta.or.kr/data/ttasDown.jsp?where=14688&pk_num=TTAT.3G-29.202(R10-10.1.0) |
| TTC | TS-3GA-29.202(Rel10)v10.1.0 | 10.1.0 | Approved | Aug 11 | http://www.ttc.or.jp/j/document_list/free/3gpps2011/TS/TS-3GA-29.202(Rel10)v10.1.0.pdf |
| Release 11 | | | | | |
| ATIS | ATIS.3GPP.29.202V1100-2014 | 11.0.0 | Approved | May 14 | https://www.atis.org/docstore/default.aspx |
| CCSA | CCSA-TSD-DS-29.202 | 11.0.0 | Published | Jun 14 | http://www.ccsa.org.cn/english/tc/files.php?docpath=/ITU-R/M.1457/M.1457-12/DS |
| ETSI | ETSI TS 129 202 | 11.0.0 | Published | Oct 12 | http://www.etsi.org/deliver/etsi_ts/129200_129299/129202/11.00.00_60/ |
| TTA | TTAT.3G-29.202(R11-11.0.0) | 11.0.0 | published | Aug 13 | http://www.tta.or.kr/data/ttasDown.jsp?where=14688&pk_num=TTAT.3G-29.202(R11-11.0.0) |
| TTC | TS-3GA-29.202(Rel11)v11.0.0 | 11.0.0 | Approved | Jun 13 | http://www.ttc.or.jp/j/document_list/free/3gpps2013/TS/TS-3GA-29.202(Rel11)v11.0.0.pdf |

5.1.2.12.137 TS 29.204

Signalling System No. 7 (SS7) security gateway; Architecture, functional description and protocol details

This document provides the functional description of the SS7 Security Gateway. The document covers also network architecture, routing considerations, and protocol details.

| SDO (2) | Document No. | Version | Status | Issued date | Location (1) |
|------------------|---------------------------|---------|-----------|-------------|---|
| Release 7 | | | | | |
| CCSA | CCSA-TSD-DS-29.204 | 7.1.0 | Published | Apr 07 | http://www.ccsa.org.cn/english/tc/files.php?docpath=/ITU-R/M.1457/M.1457-12/DS |
| ETSI | ETSI TS 129 204 | 7.1.0 | Published | Apr 07 | http://www.etsi.org/deliver/etsi_ts/129200_129299/129204/07.01.00_60/ |
| TTA | TTAT.3G-29.204(R7-7.1.0) | 7.1.0 | Approved | Apr 08 | http://www.tta.or.kr/data/ttasDown.jsp?where=14688&pk_num=TTAT.3G-29.204(R7-7.1.0) |
| TTC | TS-3GA-29.204(Rel7)v7.1.0 | 7.1.0 | Approved | Mar 08 | http://www.ttc.or.jp/j/document_list/free/TS/TS-3GA-29.204(Rel7)v7.1.0.pdf |
| Release 8 | | | | | |
| ATIS | ATIS.3GPP.29.204V800-2009 | 8.0.0 | Approved | Jul 09 | https://www.atis.org/docstore/default.aspx |
| CCSA | CCSA-TSD-DS-29.204 | 8.0.0 | Published | Jan 09 | http://www.ccsa.org.cn/english/tc/files.php?docpath=/ITU-R/M.1457/M.1457-12/DS |
| ETSI | ETSI TS 129 204 | 8.0.0 | Published | Jan 09 | http://www.etsi.org/deliver/etsi_ts/129200_129299/129204/08.00.00_60/ |
| TTA | TTAT.3G-29.204(R8-8.0.0) | 8.0.0 | Approved | Jul 09 | http://www.tta.or.kr/data/ttasDown.jsp?where=14688&pk_num=TTAT.3G-29.204(R8-8.0.0) |
| TTC | TS-3GA-29.204(Rel8)v8.0.0 | 8.0.0 | Approved | Feb 09 | http://www.ttc.or.jp/j/document_list/free/3gpps2009/TS/TS-3GA-29.204(Rel8)v8.0.0.pdf |
| Release 9 | | | | | |
| ATIS | ATIS.3GPP.29.204V900-2010 | 9.0.0 | Approved | Jul 10 | https://www.atis.org/docstore/default.aspx |

| | | | | | |
|-------------------|-----------------------------|--------|-----------|--------|---|
| CCSA | CCSA-TSD-DS-29.204 | 9.0.0 | Published | Mar 10 | http://www.ccsa.org.cn/english/tc/files.php?docpath=/ITU-R/M.1457/M.1457-12/DS |
| ETSI | ETSI TS 129 204 | 9.0.0 | Published | Jan 10 | http://www.etsi.org/deliver/etsi_ts/129200_129299/129204/09.00.00_60/ |
| TTA | TTAT.3G-29.204(R9-9.0.0) | 9.0.0 | Approved | Jul 10 | http://www.tta.or.kr/data/ttasDown.jsp?where=14688&pk_num=TTAT.3G-29.204(R9-9.0.0) |
| TTC | TS-3GA-29.204(Rel9)v9.0.0 | 9.0.0 | Approved | Jul 10 | http://www.ttc.or.jp/j/document_list/free/3gpps2010/TS/TS-3GA-29.204(Rel9)v9.0.0.pdf |
| Release 10 | | | | | |
| ATIS | ATIS.3GPP.29.204V1000-2012 | 10.0.0 | Approved | Jul 12 | https://www.atis.org/docstore/default.aspx |
| CCSA | CCSA-TSD-DS-29.204 | 10.0.0 | Published | Jun 12 | http://www.ccsa.org.cn/english/tc/files.php?docpath=/ITU-R/M.1457/M.1457-12/DS |
| ETSI | ETSI TS 129 204 | 10.0.0 | Published | May 11 | http://www.etsi.org/deliver/etsi_ts/129200_129299/129204/10.00.00_60/ |
| TTA | TTAT.3G-29.204(R10-10.0.0) | 10.0.0 | Approved | Apr 12 | http://www.tta.or.kr/data/ttasDown.jsp?where=14688&pk_num=TTAT.3G-29.204(R10-10.0.0) |
| TTC | TS-3GA-29.204(Rel10)v10.0.0 | 10.0.0 | Approved | Jun 11 | http://www.ttc.or.jp/j/document_list/free/3gpps2011/TS/TS-3GA-29.204(Rel10)v10.0.0.pdf |
| Release 11 | | | | | |
| ATIS | ATIS.3GPP.29.204V1100-2014 | 11.0.0 | Approved | May 14 | https://www.atis.org/docstore/default.aspx |
| ETSI | ETSI TS 129 204 | 11.0.0 | Published | Oct 12 | http://www.etsi.org/deliver/etsi_ts/129200_129299/129204/11.00.00_60/ |
| TTA | TTAT.3G-29.204(R11-11.0.0) | 11.0.0 | published | Aug 13 | http://www.tta.or.kr/data/ttasDown.jsp?where=14688&pk_num=TTAT.3G-29.204(R11-11.0.0) |
| TTC | TS-3GA-29.204(Rel11)v11.0.0 | 11.0.0 | Approved | Jun 13 | http://www.ttc.or.jp/j/document_list/free/3gpps2013/TS/TS-3GA-29.204(Rel11)v11.0.0.pdf |

5.1.2.12.138 TS 29.205

Application of Q.1900 series to bearer independent Circuit Switched (CS) core network architecture; Stage 3

This document describes the protocols to be used when ITU-T Q.1902 “Bearer Independent Call Control” is used as call control protocol in a 3GPP Bearer Independent CS core network 3GPP TS 23.205 The Q.1902 operates between (G)MSC servers. The BICC architecture as described in ITU-T Q.1902 consists of a number of protocols. The following types of protocols are described: call control protocol, bearer control protocols and a resource control protocol for this architecture. The architecture complies with the requirements imposed by 3GPP TS 23.205 and TS 23.153.

| SDO (2) | Document No. | Version | Status | Issued date | Location (1) |
|------------------|---------------------------|---------|-----------|-------------|---|
| Release 4 | | | | | |
| CCSA | CCSA-TSD-DS-29.205 | 4.3.0 | Published | Jun 12 | http://www.ccsa.org.cn/english/tc/files.php?docpath=/ITU-R/M.1457/M.1457-12/DS |
| ETSI | ETSI TS 129 205 | 4.3.0 | Published | Jul 06 | http://www.etsi.org/deliver/etsi_ts/129200_129299/129205/04.03.00_60/ |
| TTC | TS-3GA-29.205(Rel4)v4.3.0 | 4.3.0 | Approved | Mar 07 | http://www.ttc.or.jp/j/document_list/free/TS/TS-3GA-29.205(Rel4)v4.3.0.pdf |
| Release 5 | | | | | |
| CCSA | CCSA-TSD-DS-29.205 | 5.2.0 | Published | Jun 12 | http://www.ccsa.org.cn/english/tc/files.php?docpath=/ITU-R/M.1457/M.1457-12/DS |
| ETSI | ETSI TS 129 205 | 5.2.0 | Published | Jul 06 | http://www.etsi.org/deliver/etsi_ts/129200_129299/129205/05.02.00_60/ |
| TTC | TS-3GA-29.205(Rel5)v5.2.0 | 5.2.0 | Approved | Mar 07 | http://www.ttc.or.jp/j/document_list/free/TS/TS-3GA-29.205(Rel5)v5.2.0.pdf |
| Release 6 | | | | | |
| CCSA | CCSA-TSD-DS-29.205 | 6.1.0 | Published | Jun 12 | http://www.ccsa.org.cn/english/tc/files.php?docpath=/ITU-R/M.1457/M.1457-12/DS |
| ETSI | ETSI TS 129 205 | 6.1.0 | Published | Jul 06 | http://www.etsi.org/deliver/etsi_ts/129200_129299/129205/06.01.00_60/ |
| TTC | TS-3GA-29.205(Rel6)v6.1.0 | 6.1.0 | Approved | Mar 07 | http://www.ttc.or.jp/j/document_list/free/TS/TS-3GA-29.205(Rel6)v6.1.0.pdf |
| Release 7 | | | | | |
| CCSA | CCSA-TSD-DS-29.205 | 7.1.0 | Published | Jun 12 | http://www.ccsa.org.cn/english/tc/files.php?docpath=/ITU-R/M.1457/M.1457-12/DS |
| ETSI | ETSI TS 129 205 | 7.1.0 | Published | Apr 11 | http://www.etsi.org/deliver/etsi_ts/129200_129299/129205/07.01.00_60/ |
| TTC | TS-3GA-29.205(Rel7)v7.1.0 | 7.1.0 | Approved | Jun 11 | http://www.ttc.or.jp/j/document_list/free/3gpps2011/TS/TS-3GA-29.205(Rel7)v7.1.0.pdf |

Release 8

| | | | | | |
|------|---------------------------|-------|-----------|--------|---|
| CCSA | CCSA-TSD-DS-29.205 | 8.3.0 | Published | Jun 12 | http://www.ccsa.org.cn/english/tc/files.php?docpath=/ITU-R/M.1457/M.1457-12/DS |
| ETSI | ETSI TS 129 205 | 8.3.0 | Published | Apr 11 | http://www.etsi.org/deliver/etsi_ts/129200_129299/129205/08.03.00_60/ |
| TTC | TS-3GA-29.205(Rel8)v8.3.0 | 8.3.0 | Approved | Jun 11 | http://www.ttc.or.jp/j/document_list/free/3gpps2011/TS/TS-3GA-29.205(Rel8)v8.3.0.pdf |

Release 9

| | | | | | |
|------|---------------------------|-------|-----------|--------|---|
| ATIS | ATIS.3GPP.29.205V930-2012 | 9.3.0 | Approved | Jul 12 | https://www.atis.org/docstore/default.aspx |
| CCSA | CCSA-TSD-DS-29.205 | 9.3.0 | Published | Jun 12 | http://www.ccsa.org.cn/english/tc/files.php?docpath=/ITU-R/M.1457/M.1457-12/DS |
| ETSI | ETSI TS 129 205 | 9.3.0 | Published | Apr 11 | http://www.etsi.org/deliver/etsi_ts/129200_129299/129205/09.03.00_60/ |
| TTA | TTAT.3G-29.205(R9-9.1.0) | 9.1.0 | Approved | Jul 10 | http://www.tta.or.kr/data/ttasDown.jsp?where=14688&pk_num=TTAT.3G-29.205(R9-9.1.0) |
| TTC | TS-3GA-29.205(Rel9)v9.3.0 | 9.3.0 | Approved | Jun 11 | http://www.ttc.or.jp/j/document_list/free/3gpps2011/TS/TS-3GA-29.205(Rel9)v9.3.0.pdf |

Release 10

| | | | | | |
|------|-----------------------------|--------|-----------|--------|---|
| ATIS | ATIS.3GPP.29.205V1030-2014 | 10.3.0 | Approved | May 14 | https://www.atis.org/docstore/default.aspx |
| CCSA | CCSA-TSD-DS-29.205 | 10.3.0 | Published | Jun 12 | http://www.ccsa.org.cn/english/tc/files.php?docpath=/ITU-R/M.1457/M.1457-12/DS |
| ETSI | ETSI TS 129 205 | 10.3.0 | Published | Jan 12 | http://www.etsi.org/deliver/etsi_ts/129200_129299/129205/10.03.00_60/ |
| TTA | TTAT.3G-29.205(R10-10.3.0) | 10.3.0 | Approved | Aug 12 | http://www.tta.or.kr/data/ttasDown.jsp?where=14688&pk_num=TTAT.3G-29.205(R10-10.3.0) |
| TTC | TS-3GA-29.205(Rel10)v10.3.0 | 10.3.0 | Approved | Feb 12 | http://www.ttc.or.jp/j/document_list/free/3gpps2012/TS/TS-3GA-29.205(Rel10)v10.3.0.pdf |

Release 11

| | | | | | |
|------|-----------------------------|--------|-----------|--------|---|
| ATIS | ATIS.3GPP.29.205V1100-2014 | 11.0.0 | Approved | May 14 | https://www.atis.org/docstore/default.aspx |
| CCSA | CCSA-TSD-DS-29.205 | 11.0.0 | Published | Jun 14 | http://www.ccsa.org.cn/english/tc/files.php?docpath=/ITU-R/M.1457/M.1457-12/DS |
| ETSI | ETSI TS 129 205 | 11.0.0 | Published | Oct 12 | http://www.etsi.org/deliver/etsi_ts/129200_129299/129205/11.00.00_60/ |
| TTA | TTAT.3G-29.205(R11-11.0.0) | 11.0.0 | published | Aug 13 | http://www.tta.or.kr/data/ttasDown.jsp?where=14688&pk_num=TTAT.3G-29.205(R11-11.0.0) |
| TTC | TS-3GA-29.205(Rel11)v11.0.0 | 11.0.0 | Approved | Jun 13 | http://www.ttc.or.jp/j/document_list/free/3gpps2013/TS/TS-3GA-29.205(Rel11)v11.0.0.pdf |

5.1.2.12.139 TS 29.212**Policy and Charging Control (PCC) over Gx/Sd reference point**

This document provides the stage 3 specification of the Gx and Gxx reference points. The functional requirements and the stage 2 specifications of the Gx and Gxx reference point are contained in 3GPP TS 23.203. The Gx reference point lies between the Policy and Charging Rule Function and the Policy and Charging Enforcement Function. The Gxx reference point lies between the Policy and Charging Rule Function and the Bearer Binding and Event Reporting Function. Whenever possible the document specifies the requirements for the protocol by reference to specifications produced by the IETF within the scope of Diameter. Where this is not possible, extensions to Diameter are defined within the document itself.

| SDO (2) | Document No. | Version | Status | Issued date | Location (1) |
|------------------|----------------------------|---------|-----------|-------------|---|
| Release 7 | | | | | |
| CCSA | CCSA-TSD-DS-29.212 | 7.12.0 | Published | Jun 12 | http://www.ccsa.org.cn/english/tc/files.php?docpath=/ITU-R/M.1457/M.1457-12/DS |
| ETSI | ETSI TS 129 212 | 7.15.0 | Published | Jan 13 | http://www.etsi.org/deliver/etsi_ts/129200_129299/129212/07.15.00_60/ |
| TTA | TTAT.3G-29.212(R7-7.8.0) | 7.8.0 | Approved | Jul 09 | http://www.tta.or.kr/data/ttasDown.jsp?where=14688&pk_num=TTAT.3G-29.212(R7-7.8.0) |
| TTC | TS-3GA-29.212(Rel7)v7.15.0 | 7.15.0 | Approved | Jun 13 | http://www.ttc.or.jp/jp/document_list/free/3gpps2013/TS/TS-3GA-29.212(Rel7)v7.15.0.pdf |
| Release 8 | | | | | |
| ATIS | ATIS.3GPP.29.212V8180-2014 | 8.18.0 | Approved | May 14 | https://www.atis.org/docstore/default.aspx |
| CCSA | CCSA-TSD-DS-29.212 | 8.14.0 | Published | Jun 12 | http://www.ccsa.org.cn/english/tc/files.php?docpath=/ITU-R/M.1457/M.1457-12/DS |

| | | | | | |
|-------------------|------------------------------|---------|-----------|--------|---|
| ETSI | ETSI TS 129 212 | 8.18.0 | Published | Apr 13 | http://www.etsi.org/deliver/etsi_ts/129200_129299/129212/08.18.00_60/ |
| TTA | TTAT.3G-29.212(R8-8.3.0) | 8.3.0 | Approved | Jul 09 | http://www.tta.or.kr/data/ttasDown.jsp?where=14688&pk_num=TTAT.3G-29.212(R8-8.3.0) |
| TTC | TS-3GA-29.212(Rel8)v8.18.0 | 8.18.0 | Approved | Jun 13 | http://www.ttc.or.jp/jp/document_list/free/3gpps2013/TS/TS-3GA-29.212(Rel8)v8.18.0.pdf |
| Release 9 | | | | | |
| ATIS | ATIS.3GPP.29.212V9813-2014 | 9.13.0 | Approved | May 14 | https://www.atis.org/docstore/default.aspx |
| CCSA | CCSA-TSD-DS-29.212 | 9.9.0 | Published | Jun 12 | http://www.ccsa.org.cn/english/tc/files.php?docpath=/ITU-R/M.1457/M.1457-12/DS |
| ETSI | ETSI TS 129 212 | 9.13.0 | Published | Apr 13 | http://www.etsi.org/deliver/etsi_ts/129200_129299/129212/09.13.00_60/ |
| TTA | TTAT.3G-29.212(R9-9.2.0) | 9.2.0 | Approved | Jul 10 | http://www.tta.or.kr/data/ttasDown.jsp?where=14688&pk_num=TTAT.3G-29.212(R9-9.2.0) |
| TTC | TS-3GA-29.212(Rel9)v9.13.0 | 9.13.0 | Approved | Jun 13 | http://www.ttc.or.jp/jp/document_list/free/3gpps2013/TS/TS-3GA-29.212(Rel9)v9.13.0.pdf |
| Release 10 | | | | | |
| ATIS | ATIS.3GPP.29.212V10100- | 10.10.0 | Approved | May 14 | https://www.atis.org/docstore/default.aspx |
| CCSA | CCSA-TSD-DS-29.212 | 10.5.0 | Published | Jun 12 | http://www.ccsa.org.cn/english/tc/files.php?docpath=/ITU-R/M.1457/M.1457-12/DS |
| ETSI | ETSI TS 129 212 | 10.10.0 | Published | Apr 13 | http://www.etsi.org/deliver/etsi_ts/129200_129299/129212/10.10.00_60/ |
| TTA | TTAT.3G-29.212(R10-10.6.0) | 10.6.0 | Approved | Aug 12 | http://www.tta.or.kr/data/ttasDown.jsp?where=14688&pk_num=TTAT.3G-29.212(R10-10.6.0) |
| TTC | TS-3GA-29.212(Rel10)v10.10.0 | 10.10.0 | Approved | Jun 13 | http://www.ttc.or.jp/jp/document_list/free/3gpps2013/TS/TS-3GA-29.212(Rel10)v10.10.0.pdf |
| Release 11 | | | | | |
| ATIS | ATIS.3GPP.29.212V11800- | 11.8.0 | Approved | May 14 | https://www.atis.org/docstore/default.aspx |
| CCSA | CCSA-TSD-DS-29.212 | 11.13.0 | Published | Jun 14 | http://www.ccsa.org.cn/english/tc/files.php?docpath=/ITU-R/M.1457/M.1457-12/DS |
| ETSI | ETSI TS 129 212 | 11.8.0 | Published | Apr 13 | http://www.etsi.org/deliver/etsi_ts/129200_129299/129212/11.08.00_60/ |
| TTA | TTAT.3G-29.212(R11-11.8.0) | 11.8.0 | published | Aug 13 | http://www.tta.or.kr/data/ttasDown.jsp?where=14688&pk_num=TTAT.3G-29.212(R11-11.8.0) |
| TTC | TS-3GA-29.212(Rel11)v11.8.0 | 11.8.0 | Approved | Jun 13 | http://www.ttc.or.jp/jp/document_list/free/3gpps2013/TS/TS-3GA-29.212(Rel11)v11.8.0.pdf |

5.1.2.12.140 TS 29.213

Policy and charging control signalling flows and Quality of Service (QoS) parameter mapping

This specification adds detailed flows of Policy and Charging Control (PCC) over the Rx, Gx, Gxx and S9 reference points and their relationship with the bearer level signalling flows over the Gn/Gp, S4, S5/S8, S2a and S2c interfaces. The call flows depicted represent usual cases, but not all situations are covered. The document also describes the binding and the mapping of QoS parameters among SDP, UMTS QoS parameters, and QoS authorization parameters, as well as PCRF addressing using DRA.

| SDO (2) | Document No. | Version | Status | Issued date | Location (1) |
|------------------|----------------------------|---------|-----------|-------------|---|
| Release 7 | | | | | |
| CCSA | CCSA-TSD-DS-29.213 | 7.12.0 | Published | Jun 12 | http://www.ccsa.org.cn/english/tc/files.php?docpath=/ITU-R/M.1457/M.1457-12/DS |
| ETSI | ETSI TS 129 213 | 7.12.0 | Published | Oct 11 | http://www.etsi.org/deliver/etsi_ts/129200_129299/129213/07.12.00_60/ |
| TTA | TTAT.3G-29.213(R7-7.8.0) | 7.8.0 | Approved | Jul 09 | http://www.tta.or.kr/data/ttasDown.jsp?where=14688&pk_num=TTAT.3G-29.213(R7-7.8.0) |
| TTC | TS-3GA-29.213(Rel7)v7.12.0 | 7.12.0 | Approved | Dec 11 | http://www.ttc.or.jp/jp/document_list/free/3gpps2011/TS/TS-3GA-29.213(Rel7)v7.12.0.pdf |
| Release 8 | | | | | |
| ATIS | ATIS.3GPP.29.213V8160-2014 | 8.16.0 | Approved | May 14 | https://www.atis.org/docstore/default.aspx |
| CCSA | CCSA-TSD-DS-29.213 | 8.13.0 | Published | Jun 12 | http://www.ccsa.org.cn/english/tc/files.php?docpath=/ITU-R/M.1457/M.1457-12/DS |
| ETSI | ETSI TS 129 213 | 8.16.0 | Published | Apr 13 | http://www.etsi.org/deliver/etsi_ts/129200_129299/129213/08.16.00_60/ |
| TTA | TTAT.3G-29.213(R8-8.3.0) | 8.3.0 | Approved | Jul 09 | http://www.tta.or.kr/data/ttasDown.jsp?where=14688&pk_num=TTAT.3G-29.213(R8-8.3.0) |
| TTC | TS-3GA-29.213(Rel8)v8.16.0 | 8.16.0 | Approved | Jun 13 | http://www.ttc.or.jp/jp/document_list/free/3gpps2013/TS/TS-3GA-29.213(Rel8)v8.16.0.pdf |

Release 9

| | | | | | |
|------|----------------------------|--------|-----------|--------|---|
| ATIS | ATIS.3GPP.29.213V9110-2014 | 9.11.0 | Approved | May 14 | https://www.atis.org/docstore/default.aspx |
| CCSA | CCSA-TSD-DS-29.213 | 9.8.0 | Published | Jun 12 | http://www.ccsa.org.cn/english/tc/files.php?docpath=/ITU-R/M.1457/M.1457-12/DS |
| ETSI | ETSI TS 129 213 | 9.11.0 | Published | Apr 13 | http://www.etsi.org/deliver/etsi_ts/129200_129299/129213/09.11.00_60/ |
| TTA | TTAT.3G-29.213(R9-9.2.0) | 9.2.0 | Approved | Jul 10 | http://www.tta.or.kr/data/ttasDown.jsp?where=14688&pk_num=TTAT.3G-29.213(R9-9.2.0) |
| TTC | TS-3GA-29.213(Rel9)v9.11.0 | 9.11.0 | Approved | Jun 13 | http://www.ttc.or.jp/jp/document_list/free/3gpps2013/TS/TS-3GA-29.213(Rel9)v9.11.0.pdf |

Release 10

| | | | | | |
|------|-----------------------------|--------|-----------|--------|---|
| ATIS | ATIS.3GPP.29.213V1090-2014 | 10.9.0 | Approved | May 14 | https://www.atis.org/docstore/default.aspx |
| CCSA | CCSA-TSD-DS-29.213 | 10.4.0 | Published | Jun 12 | http://www.ccsa.org.cn/english/tc/files.php?docpath=/ITU-R/M.1457/M.1457-12/DS |
| ETSI | ETSI TS 129 213 | 10.9.0 | Published | Apr 13 | http://www.etsi.org/deliver/etsi_ts/129200_129299/129213/10.09.00_60/ |
| TTA | TTAT.3G-29.213(R10-10.5.0) | 10.5.0 | Approved | Aug 12 | http://www.tta.or.kr/data/ttasDown.jsp?where=14688&pk_num=TTAT.3G-29.213(R10-10.5.0) |
| TTC | TS-3GA-29.213(Rel10)v10.9.0 | 10.9.0 | Approved | Jun 13 | http://www.ttc.or.jp/jp/document_list/free/3gpps2013/TS/TS-3GA-29.213(Rel10)v10.9.0.pdf |

Release 11

| | | | | | |
|------|-----------------------------|---------|-----------|--------|---|
| ATIS | ATIS.3GPP.29.213V1160-2014 | 11.6.0 | Approved | May 14 | https://www.atis.org/docstore/default.aspx |
| CCSA | CCSA-TSD-DS-29.213 | 11.10.0 | Published | Jun 14 | http://www.ccsa.org.cn/english/tc/files.php?docpath=/ITU-R/M.1457/M.1457-12/DS |
| ETSI | ETSI TS 129 213 | 11.6.0 | Published | Apr 13 | http://www.etsi.org/deliver/etsi_ts/129200_129299/129213/11.06.00_60/ |
| TTA | TTAT.3G-29.213(R11-11.6.0) | 11.6.0 | published | Aug 13 | http://www.tta.or.kr/data/ttasDown.jsp?where=14688&pk_num=TTAT.3G-29.213(R11-11.6.0) |
| TTC | TS-3GA-29.213(Rel11)v11.6.0 | 11.6.0 | Approved | Jun 13 | http://www.ttc.or.jp/jp/document_list/free/3gpps2013/TS/TS-3GA-29.213(Rel11)v11.6.0.pdf |

5.1.2.12.141 TS 29.214**Policy and charging control over Rx reference point**

This document provides the stage 3 specification of the Rx reference point. The functional requirements and the stage 2 specifications of the Rx reference point are contained in 3GPP TS 23.203. The Rx reference point lies between the Application Function and the Policy and Charging Rule Function. Whenever possible this document specifies the requirements for the protocol by reference to specifications produced by the IETF within the scope of Diameter. Where this is not possible, extensions to Diameter are defined within the document itself.

| SDO (2) | Document No. | Version | Status | Issued date | Location (1) |
|------------------|----------------------------|---------|-----------|-------------|---|
| Release 7 | | | | | |
| CCSA | CCSA-TSD-DS-29.214 | 7.11.0 | Published | Jun 12 | http://www.ccsa.org.cn/english/tc/files.php?docpath=/ITU-R/M.1457/M.1457-12/DS |
| ETSI | ETSI TS 129 214 | 7.12.0 | Published | Oct 12 | http://www.etsi.org/deliver/etsi_ts/129200_129299/129214/07.12.00_60/ |
| TTA | TTAT.3G-29.214(R7-7.7.0) | 7.7.0 | Approved | Jul 09 | http://www.tta.or.kr/data/ttasDown.jsp?where=14688&pk_num=TTAT.3G-29.214(R7-7.7.0) |
| TTC | TS-3GA-29.214(Rel7)v7.12.0 | 7.12.0 | Approved | Dec 12 | http://www.ttc.or.jp/jp/document_list/free/3gpps2012/TS/TS-3GA-29.214(Rel7)v7.12.0.pdf |
| Release 8 | | | | | |
| ATIS | ATIS.3GPP.29.214V8150-2014 | 8.15.0 | Approved | May 14 | https://www.atis.org/docstore/default.aspx |
| CCSA | CCSA-TSD-DS-29.214 | 8.12.0 | Published | Jun 12 | http://www.ccsa.org.cn/english/tc/files.php?docpath=/ITU-R/M.1457/M.1457-12/DS |
| ETSI | ETSI TS 129 214 | 8.15.0 | Published | Apr 13 | http://www.etsi.org/deliver/etsi_ts/129200_129299/129214/08.15.00_60/ |
| TTA | TTAT.3G-29.214(R8-8.4.0) | 8.4.0 | Approved | Jul 09 | http://www.tta.or.kr/data/ttasDown.jsp?where=14688&pk_num=TTAT.3G-29.214(R8-8.4.0) |
| TTC | TS-3GA-29.214(Rel8)v8.15.0 | 8.15.0 | Approved | Jun 13 | http://www.ttc.or.jp/jp/document_list/free/3gpps2013/TS/TS-3GA-29.214(Rel8)v8.15.0.pdf |
| Release 9 | | | | | |
| ATIS | ATIS.3GPP.29.214V9120-2014 | 9.12.0 | Approved | May 14 | https://www.atis.org/docstore/default.aspx |
| CCSA | CCSA-TSD-DS-29.214 | 9.9.0 | Published | Jun 12 | http://www.ccsa.org.cn/english/tc/files.php?docpath=/ITU-R/M.1457/M.1457-12/DS |

| | | | | | |
|-------------------|-----------------------------|---------|-----------|--------|---|
| ETSI | ETSI TS 129 214 | 9.12.0 | Published | Apr 13 | http://www.etsi.org/deliver/etsi_ts/129200_129299/129214/09.12.00_60/ |
| TTA | TTAT.3G-29.214(R9-9.3.0) | 9.3.0 | Approved | Jul 10 | http://www.tta.or.kr/data/ttasDown.jsp?where=14688&pk_num=TTAT.3G-29.214(R9-9.3.0) |
| TTC | TS-3GA-29.214(Rel9)v9.12.0 | 9.12.0 | Approved | Jun 13 | http://www.ttc.or.jp/jp/document_list/free/3gpps2013/TS/TS-3GA-29.214(Rel9)v9.12.0.pdf |
| Release 10 | | | | | |
| ATIS | ATIS.3GPP.29.214V1090-2014 | 10.9.0 | Approved | May 14 | https://www.atis.org/docstore/default.aspx |
| CCSA | CCSA-TSD-DS-29.214 | 10.5.0 | Published | Jun 12 | http://www.ccsa.org.cn/english/tc/files.php?docpath=/ITU-R/M.1457/M.1457-12/DS |
| ETSI | ETSI TS 129 214 | 10.9.0 | Published | Apr 13 | http://www.etsi.org/deliver/etsi_ts/129200_129299/129214/10.09.00_60/ |
| TTA | TTAT.3G-29.214(R10-10.6.0) | 10.6.0 | Approved | Aug 12 | http://www.tta.or.kr/data/ttasDown.jsp?where=14688&pk_num=TTAT.3G-29.214(R10-10.6.0) |
| TTC | TS-3GA-29.214(Rel10)v10.9.0 | 10.9.0 | Approved | Jun 13 | http://www.ttc.or.jp/jp/document_list/free/3gpps2013/TS/TS-3GA-29.214(Rel10)v10.9.0.pdf |
| Release 11 | | | | | |
| ATIS | ATIS.3GPP.29.214V1180-2014 | 11.8.0 | Approved | May 14 | https://www.atis.org/docstore/default.aspx |
| CCSA | CCSA-TSD-DS-29.214 | 11.13.0 | Published | Jun 14 | http://www.ccsa.org.cn/english/tc/files.php?docpath=/ITU-R/M.1457/M.1457-12/DS |
| ETSI | ETSI TS 129 214 | 11.8.0 | Published | Apr 13 | http://www.etsi.org/deliver/etsi_ts/129200_129299/129214/11.08.00_60/ |
| TTA | TTAT.3G-29.214(R11-11.8.0) | 11.8.0 | published | Aug 13 | http://www.tta.or.kr/data/ttasDown.jsp?where=14688&pk_num=TTAT.3G-29.214(R11-11.8.0) |
| TTC | TS-3GA-29.214(Rel11)v11.8.0 | 11.8.0 | Approved | Jun 13 | http://www.ttc.or.jp/jp/document_list/free/3gpps2013/TS/TS-3GA-29.214(Rel11)v11.8.0.pdf |

5.1.2.12.142 TS 29.215

Policy and Charging Control (PCC) over S9 reference point; Stage 3

This document provides the Stage 3 specification of the S9 reference point. The functional requirements of Stage 2 specification for the S9 reference point are contained in 3GPP TS 23.203. The S9 reference point lies between the PCRF in the home PLMN (also known as H-PCRF) and the PCRF in the visited PLMN (also known as V-PCRF). Whenever it is possible this document specifies the requirements for the protocols by reference to specifications produced by the IETF within the scope of Diameter. Where this is not possible extensions to Diameter are defined within this document.

| SDO (2) | Document No. | Version | Status | Issued date | Location (1) |
|-------------------|-----------------------------|---------|-----------|-------------|---|
| Release 8 | | | | | |
| CCSA | CCSA-TSD-DS-29.215 | 8.12.0 | Published | Jun 12 | http://www.ccsa.org.cn/english/tc/files.php?docpath=/ITU-R/M.1457/M.1457-12/DS |
| ETSI | ETSI TS 129 215 | 8.14.0 | Published | Jul 12 | http://www.etsi.org/deliver/etsi_ts/129200_129299/129215/08.14.00_60/ |
| TTC | TS-3GA-29.215(Rel8)v8.14.0 | 8.14.0 | Approved | Sep 12 | http://www.ttc.or.jp/jp/document_list/free/3gpps2012/TS/TS-3GA-29.215(Rel8)v8.13.0.pdf |
| Release 9 | | | | | |
| ATIS | ATIS.3GPP.29.215V9110-2014 | 9.11.0 | Approved | May 14 | https://www.atis.org/docstore/default.aspx |
| CCSA | CCSA-TSD-DS-29.215 | 9.9.0 | Published | Jun 12 | http://www.ccsa.org.cn/english/tc/files.php?docpath=/ITU-R/M.1457/M.1457-12/DS |
| ETSI | ETSI TS 129 215 | 9.11.0 | Published | Jul 12 | http://www.etsi.org/deliver/etsi_ts/129200_129299/129215/09.11.00_60/ |
| TTA | TTAT.3G-29.215(R9-9.2.0) | 9.2.0 | Approved | Jul 10 | http://www.tta.or.kr/data/ttasDown.jsp?where=14688&pk_num=TTAT.3G-29.215(R9-9.2.0) |
| TTC | TS-3GA-29.215(Rel9)v9.11.0 | 9.11.0 | Approved | Sep 12 | http://www.ttc.or.jp/jp/document_list/free/3gpps2012/TS/TS-3GA-29.215(Rel9)v9.10.0.pdf |
| Release 10 | | | | | |
| ATIS | ATIS.3GPP.29.215V1060-2014 | 10.6.0 | Approved | May 14 | https://www.atis.org/docstore/default.aspx |
| CCSA | CCSA-TSD-DS-29.215 | 10.4.0 | Published | Jun 12 | http://www.ccsa.org.cn/english/tc/files.php?docpath=/ITU-R/M.1457/M.1457-12/DS |
| ETSI | ETSI TS 129 215 | 10.6.0 | Published | Jul 12 | http://www.etsi.org/deliver/etsi_ts/129200_129299/129215/10.06.00_60/ |
| TTA | TTAT.3G-29.215(R10-10.5.0) | 10.5.0 | Approved | Aug 12 | http://www.tta.or.kr/data/ttasDown.jsp?where=14688&pk_num=TTAT.3G-29.215(R10-10.5.0) |
| TTC | TS-3GA-29.215(Rel10)v10.6.0 | 10.6.0 | Approved | Sep 12 | http://www.ttc.or.jp/jp/document_list/free/3gpps2012/TS/TS-3GA-29.215(Rel10)v10.5.0.pdf |

Release 11

| SDO (2) | Document No. | Version | Status | Issued date | Location (1) |
|---------|-----------------------------|---------|-----------|-------------|---|
| ATIS | ATIS.3GPP.29.215V1180-2014 | 11.8.0 | Approved | May 14 | https://www.atis.org/docstore/default.aspx |
| CCSA | CCSA-TSD-DS-29.215 | 11.13.0 | Published | Jun 14 | http://www.ccsa.org.cn/english/tc/files.php?docpath=/ITU-R/M.1457/M.1457-12/DS |
| ETSI | ETSI TS 129 215 | 11.8.0 | Published | Apr 13 | http://www.etsi.org/deliver/etsi_ts/129200_129299/129215/11.08.00_60/ |
| TTA | TTAT.3G-29.215(R11-11.8.0) | 11.8.0 | published | Aug 13 | http://www.tta.or.kr/data/ttasDown.jsp?where=14688&pk_num=TTAT.3G-29.215(R11-11.8.0) |
| TTC | TS-3GA-29.215(Rel11)v11.8.0 | 11.8.0 | Approved | Jun 13 | http://www.ttc.or.jp/jp/document_list/free/3gpps2013/TS/TS-3GA-29.215(Rel11)v11.8.0.pdf |

5.1.2.12.143 TS 29.219**Policy and charging control: Spending limit reporting over Sy reference point**

This document provides the protocol specification related to the Sy reference point. The Sy reference point lies between the Policy and Charging Rule Function (PCRF) and the Online Charging System (OCS). It enables transfer of policy counter status information relating to subscriber spending from OCS to PCRF.

| SDO (2) | Document No. | Version | Status | Issued date | Location (1) |
|-------------------|-----------------------------|---------|-----------|-------------|---|
| Release 11 | | | | | |
| ATIS | ATIS.3GPP.29.219V1140-2014 | 11.4.0 | Approved | May 14 | https://www.atis.org/docstore/default.aspx |
| TTA | TTAT.3G-29.219(R11-11.4.0) | 11.4.0 | published | Aug 13 | http://www.tta.or.kr/data/ttasDown.jsp?where=14688&pk_num=TTAT.3G-29.219(R11-11.4.0) |
| TTC | TS-3GA-29.219(Rel11)v11.4.0 | 11.4.0 | Approved | Jun 13 | http://www.ttc.or.jp/jp/document_list/free/3gpps2013/TS/TS-3GA-29.219(Rel11)v11.4.0.pdf |

5.1.2.12.144 TS 29.228**IP Multimedia (IM) Subsystem Cx and Dx Interfaces; Signalling flows and message contents**

This 3GPP Technical Specification (TS) specifies the interactions between the HSS (Home Subscriber Server) and the CSCF (Call Session Control Functions), referred to as the Cx interface, and the interactions between the CSCF and the SLF (Server Locator Function), referred to as the Dx interface.

| SDO (2) | Document No. | Version | Status | Issued date | Location (1) |
|------------------|----------------------------|---------|-----------|-------------|---|
| Release 5 | | | | | |
| ATIS | ATIS.3GPP.29.228V5220-2012 | 5.22.0 | Approved | Jul 12 | https://www.atis.org/docstore/default.aspx |
| CCSA | CCSA-TSD-DS-29.228 | 5.22.0 | Published | Jun 12 | http://www.ccsa.org.cn/english/tc/files.php?docpath=/ITU-R/M.1457/M.1457-12/DS |
| ETSI | ETSI TS 129 228 | 5.22.0 | Published | Jan 11 | http://www.etsi.org/deliver/etsi_ts/129200_129299/129228/05.22.00_60/ |
| TTC | TS-3GA-29.228(Rel5)v5.22.0 | 5.22.0 | Approved | Apr 11 | http://www.ttc.or.jp/jp/document_list/free/3gpps2011/TS/TS-3GA-29.228(Rel5)v5.22.0.pdf |
| Release 6 | | | | | |
| ATIS | ATIS.3GPP.29.228V6170-2012 | 6.17.0 | Approved | Jul 12 | https://www.atis.org/docstore/default.aspx |
| CCSA | CCSA-TSD-DS-29.228 | 6.17.0 | Published | Jun 12 | http://www.ccsa.org.cn/english/tc/files.php?docpath=/ITU-R/M.1457/M.1457-12/DS |
| ETSI | ETSI TS 129 228 | 6.17.0 | Published | Jan 11 | http://www.etsi.org/deliver/etsi_ts/129200_129299/129228/06.17.00_60/ |
| TTC | TS-3GA-29.228(Rel6)v6.17.0 | 6.17.0 | Approved | Apr 11 | http://www.ttc.or.jp/jp/document_list/free/3gpps2011/TS/TS-3GA-29.228(Rel6)v6.17.0.pdf |
| Release 7 | | | | | |
| ATIS | ATIS.3GPP.29.228V7180-2014 | 7.18.0 | Approved | May 14 | https://www.atis.org/docstore/default.aspx |
| CCSA | CCSA-TSD-DS-29.228 | 7.16.0 | Published | Jun 12 | http://www.ccsa.org.cn/english/tc/files.php?docpath=/ITU-R/M.1457/M.1457-12/DS |
| ETSI | ETSI TS 129 228 | 7.18.0 | Published | Apr 13 | http://www.etsi.org/deliver/etsi_ts/129200_129299/129228/07.18.00_60/ |

| | | | | | |
|-------------------|-----------------------------|---------|-----------|--------|---|
| TTC | TS-3GA-29.228(Rel7)v7.18.0 | 7.18.0 | Approved | Jun 13 | http://www.ttc.or.jp/j/document_list/free/3gpps2013/TS/TS-3GA-29.228(Rel7)v7.18.0.pdf |
| Release 8 | | | | | |
| ATIS | ATIS.3GPP.29.228V8180-2014 | 8.18.0 | Approved | May 14 | https://www.atis.org/docstore/default.aspx |
| CCSA | CCSA-TSD-DS-29.228 | 8.15.0 | Published | Jun 12 | http://www.ccsa.org.cn/english/tc/files.php?docpath=/ITU-R/M.1457/M.1457-12/DS |
| ETSI | ETSI TS 129 228 | 8.18.0 | Published | Apr 13 | http://www.etsi.org/deliver/etsi_ts/129200_129299/129228/08.18.00_60/ |
| TTC | TS-3GA-29.228(Rel8)v8.18.0 | 8.18.0 | Approved | Jun 13 | http://www.ttc.or.jp/j/document_list/free/3gpps2013/TS/TS-3GA-29.228(Rel8)v8.18.0.pdf |
| Release 9 | | | | | |
| ATIS | ATIS.3GPP.29.228V9110-2014 | 9.11.0 | Approved | May 14 | https://www.atis.org/docstore/default.aspx |
| CCSA | CCSA-TSD-DS-29.228 | 9.8.0 | Published | Jun 12 | http://www.ccsa.org.cn/english/tc/files.php?docpath=/ITU-R/M.1457/M.1457-12/DS |
| ETSI | ETSI TS 129 228 | 9.11.0 | Published | Apr 13 | http://www.etsi.org/deliver/etsi_ts/129200_129299/129228/09.11.00_60/ |
| TTC | TS-3GA-29.228(Rel9)v9.11.0 | 9.11.0 | Approved | Jun 13 | http://www.ttc.or.jp/j/document_list/free/3gpps2013/TS/TS-3GA-29.228(Rel9)v9.11.0.pdf |
| Release 10 | | | | | |
| ATIS | ATIS.3GPP.29.228V1070-2014 | 10.7.0 | Approved | May 14 | https://www.atis.org/docstore/default.aspx |
| CCSA | CCSA-TSD-DS-29.228 | 10.4.0 | Published | Jun 12 | http://www.ccsa.org.cn/english/tc/files.php?docpath=/ITU-R/M.1457/M.1457-12/DS |
| ETSI | ETSI TS 129 228 | 10.7.0 | Published | Apr 13 | http://www.etsi.org/deliver/etsi_ts/129200_129299/129228/10.07.00_60/ |
| TTA | TTAT.3G-29.228(R10-10.5.0) | 10.5.0 | Approved | Aug 12 | http://www.tta.or.kr/data/ttasDown.jsp?where=14688&pk_num=TTAT.3G-29.228(R10-10.5.0) |
| TTC | TS-3GA-29.228(Rel10)v10.7.0 | 10.7.0 | Approved | Jun 13 | http://www.ttc.or.jp/j/document_list/free/3gpps2013/TS/TS-3GA-29.228(Rel10)v10.7.0.pdf |
| Release 11 | | | | | |
| ATIS | ATIS.3GPP.29.228V1170-2014 | 11.7.0 | Approved | May 14 | https://www.atis.org/docstore/default.aspx |
| CCSA | CCSA-TSD-DS-29.228 | 11.10.0 | Published | Jun 14 | http://www.ccsa.org.cn/english/tc/files.php?docpath=/ITU-R/M.1457/M.1457-12/DS |
| ETSI | ETSI TS 129 228 | 11.7.0 | Published | Apr 13 | http://www.etsi.org/deliver/etsi_ts/129200_129299/129228/11.07.00_60/ |
| TTA | TTAT.3G-29.228(R11-11.7.0) | 11.7.0 | published | Aug 13 | http://www.tta.or.kr/data/ttasDown.jsp?where=14688&pk_num=TTAT.3G-29.228(R11-11.7.0) |
| TTC | TS-3GA-29.228(Rel11)v11.7.0 | 11.7.0 | Approved | Jun 13 | http://www.ttc.or.jp/j/document_list/free/3gpps2013/TS/TS-3GA-29.228(Rel11)v11.7.0.pdf |

5.1.2.12.145 TS 29.229

Cx and Dx interfaces based on the Diameter protocol; Protocol details

This specification defines a transport protocol for use in the IP multimedia (IM) Core Network (CN) subsystem based on Diameter.

| SDO (2) | Document No. | Version | Status | Issued date | Location (1) |
|------------------|----------------------------|---------|-----------|-------------|---|
| Release 5 | | | | | |
| ATIS | ATIS.3GPP.29.229V5130-2007 | 5.13.0 | Approved | Oct 07 | https://www.atis.org/docstore/default.aspx |
| CCSA | CCSA-TSD-DS-29.229 | 5.13.0 | Published | Oct 07 | http://www.ccsa.org.cn/english/tc/files.php?docpath=/ITU-R/M.1457/M.1457-12/DS |
| ETSI | ETSI TS 129 229 | 5.13.0 | Published | Oct 07 | http://www.etsi.org/deliver/etsi_ts/129200_129299/129229/05.13.00_60/ |
| TTA | TTAT.3G-29.229(R5-5.13.0) | 5.13.0 | Approved | Dec 07 | http://www.tta.or.kr/data/ttasDown.jsp?where=14688&pk_num=TTAT.3G-29.229(R5-5.13.0) |
| TTC | TS-3GA-29.229(Rel5)v5.13.0 | 5.13.0 | Approved | Mar 08 | http://www.ttc.or.jp/j/document_list/free/TS/TS-3GA-29.229(Rel5)v5.13.0.pdf |
| Release 6 | | | | | |
| ATIS | ATIS.3GPP.29.229V6110-2010 | 6.11.0 | Approved | Jul 10 | https://www.atis.org/docstore/default.aspx |
| CCSA | CCSA-TSD-DS-29.229 | 6.11.0 | Published | Mar 10 | http://www.ccsa.org.cn/english/tc/files.php?docpath=/ITU-R/M.1457/M.1457-12/DS |
| ETSI | ETSI TS 129 229 | 6.11.0 | Published | Oct 09 | http://www.etsi.org/deliver/etsi_ts/129200_129299/129229/06.11.00_60/ |
| TTA | TTAT.3G-29.229(R6-6.10.0) | 6.10.0 | Approved | Dec 07 | http://www.tta.or.kr/data/ttasDown.jsp?where=14688&pk_num=TTAT.3G-29.229(R6-6.10.0) |
| TTC | TS-3GA-29.229(Rel6)v6.11.0 | 6.11.0 | Approved | Dec 09 | http://www.ttc.or.jp/j/document_list/free/3gpps2009/TS/TS-3GA-29.229(Rel6)v6.11.0.pdf |
| Release 7 | | | | | |
| ATIS | ATIS.3GPP.29.229V7120-2014 | 7.12.0 | Approved | May 14 | https://www.atis.org/docstore/default.aspx |

| | | | | | |
|-------------------|-----------------------------|--------|-----------|--------|---|
| CCSA | CCSA-TSD-DS-29.229 | 7.11.0 | Published | Jun 12 | http://www.ccsa.org.cn/english/tc/files.php?docpath=/ITU-R/M.1457/M.1457-12/DS |
| ETSI | ETSI TS 129 229 | 7.12.0 | Published | Apr 13 | http://www.etsi.org/deliver/etsi_ts/129200_129299/129229/07.12.00_60/ |
| TTA | TTAT.3G-29.229(R7-7.8.0) | 7.8.0 | Approved | Jul 09 | http://www.tta.or.kr/data/ttasDown.jsp?where=14688&pk_num=TTAT.3G-29.229(R7-7.8.0) |
| TTC | TS-3GA-29.229(Rel7)v7.12.0 | 7.12.0 | Approved | Jun 13 | http://www.ttc.or.jp/j/document_list/free/3gpps2013/TS/TS-3GA-29.229(Rel7)v7.12.0.pdf |
| Release 8 | | | | | |
| ATIS | ATIS.3GPP.29.229V8150-2014 | 8.15.0 | Approved | May 14 | https://www.atis.org/docstore/default.aspx |
| CCSA | CCSA-TSD-DS-29.229 | 8.13.0 | Published | Jun 12 | http://www.ccsa.org.cn/english/tc/files.php?docpath=/ITU-R/M.1457/M.1457-12/DS |
| ETSI | ETSI TS 129 229 | 8.15.0 | Published | Apr 13 | http://www.etsi.org/deliver/etsi_ts/129200_129299/129229/08.15.00_60/ |
| TTA | TTAT.3G-29.229(R8-8.7.0) | 8.7.0 | Approved | Jul 09 | http://www.tta.or.kr/data/ttasDown.jsp?where=14688&pk_num=TTAT.3G-29.229(R8-8.7.0) |
| TTC | TS-3GA-29.229(Rel8)v8.15.0 | 8.15.0 | Approved | Jun 13 | http://www.ttc.or.jp/j/document_list/free/3gpps2013/TS/TS-3GA-29.229(Rel8)v8.15.0.pdf |
| Release 9 | | | | | |
| ATIS | ATIS.3GPP.29.229V970-2014 | 9.7.0 | Approved | May 14 | https://www.atis.org/docstore/default.aspx |
| CCSA | CCSA-TSD-DS-29.229 | 9.5.0 | Published | Jun 12 | http://www.ccsa.org.cn/english/tc/files.php?docpath=/ITU-R/M.1457/M.1457-12/DS |
| ETSI | ETSI TS 129 229 | 9.7.0 | Published | Apr 13 | http://www.etsi.org/deliver/etsi_ts/129200_129299/129229/09.07.00_60/ |
| TTA | TTAT.3G-29.229(R9-9.3.1) | 9.3.1 | Approved | Jul 10 | http://www.tta.or.kr/data/ttasDown.jsp?where=14688&pk_num=TTAT.3G-29.229(R9-9.3.1) |
| TTC | TS-3GA-29.229(Rel9)v9.7.0 | 9.7.0 | Approved | Jun 13 | http://www.ttc.or.jp/j/document_list/free/3gpps2013/TS/TS-3GA-29.229(Rel9)v9.7.0.pdf |
| Release 10 | | | | | |
| ATIS | ATIS.3GPP.29.229V1050-2014 | 10.5.0 | Approved | May 14 | https://www.atis.org/docstore/default.aspx |
| CCSA | CCSA-TSD-DS-29.229 | 10.3.0 | Published | Jun 12 | http://www.ccsa.org.cn/english/tc/files.php?docpath=/ITU-R/M.1457/M.1457-12/DS |
| ETSI | ETSI TS 129 229 | 10.5.0 | Published | Apr 13 | http://www.etsi.org/deliver/etsi_ts/129200_129299/129229/10.05.00_60/ |
| TTA | TTAT.3G-29.229(R10-10.3.0) | 10.3.0 | Approved | Aug 12 | http://www.tta.or.kr/data/ttasDown.jsp?where=14688&pk_num=TTAT.3G-29.229(R10-10.3.0) |
| TTC | TS-3GA-29.229(Rel10)v10.5.0 | 10.5.0 | Approved | Jun 13 | http://www.ttc.or.jp/j/document_list/free/3gpps2013/TS/TS-3GA-29.229(Rel10)v10.5.0.pdf |
| Release 11 | | | | | |
| ATIS | ATIS.3GPP.29.229V1130-2014 | 11.3.0 | Approved | May 14 | https://www.atis.org/docstore/default.aspx |
| CCSA | CCSA-TSD-DS-29.229 | 11.4.0 | Published | Jun 14 | http://www.ccsa.org.cn/english/tc/files.php?docpath=/ITU-R/M.1457/M.1457-12/DS |
| ETSI | ETSI TS 129 229 | 11.3.0 | Published | Apr 13 | http://www.etsi.org/deliver/etsi_ts/129200_129299/129229/11.03.00_60/ |
| TTA | TTAT.3G-29.229(R11-11.3.0) | 11.3.0 | published | Aug 13 | http://www.tta.or.kr/data/ttasDown.jsp?where=14688&pk_num=TTAT.3G-29.229(R11-11.3.0) |
| TTC | TS-3GA-29.229(Rel11)v11.3.0 | 11.3.0 | Approved | Jun 13 | http://www.ttc.or.jp/j/document_list/free/3gpps2013/TS/TS-3GA-29.229(Rel11)v11.3.0.pdf |

5.1.2.12.146 TS 29.230

Diameter applications; 3GPP specific codes and identifiers

This document lists the 3GPP specific Diameter protocol codes, including the AVP codes and Experimental result codes. This document lists also the application identifiers assigned to 3GPP specific Diameter applications by IANA and the Diameter command code range which is assigned to 3GPP by IANA.

| SDO (2) | Document No. | Version | Status | Issued date | Location (1) |
|------------------|----------------------------|---------|----------|-------------|---|
| Release 6 | | | | | |
| TTC | TS-3GA-29.230(Rel6)v6.11.0 | 6.11.0 | Approved | Dec 11 | http://www.ttc.or.jp/j/document_list/free/3gpps2011/TS/TS-3GA-29.230(Rel6)v6.11.0.pdf |
| Release 7 | | | | | |
| TTC | TS-3GA-29.230(Rel7)v7.16.0 | 7.16.0 | Approved | Dec 11 | http://www.ttc.or.jp/j/document_list/free/3gpps2011/TS/TS-3GA-29.230(Rel7)v7.16.0.pdf |

| Release 8 | | | | | |
|-------------------|-----------------------------|--------|-----------|--------|---|
| TTC | TS-3GA-29.230(Rel8)v8.15.0 | 8.15.0 | Approved | Jun 13 | http://www.ttc.or.jp/jp/document_list/free/3gpps2013/TS/TS-3GA-29.230(Rel8)v8.15.0.pdf |
| Release 9 | | | | | |
| TTC | TS-3GA-29.230(Rel9)v9.13.0 | 9.13.0 | Approved | Jun 13 | http://www.ttc.or.jp/jp/document_list/free/3gpps2013/TS/TS-3GA-29.230(Rel9)v9.13.0.pdf |
| Release 10 | | | | | |
| TTC | TS-3GA-29.230(Rel10)v10.9.0 | 10.9.0 | Approved | Jun 13 | http://www.ttc.or.jp/jp/document_list/free/3gpps2013/TS/TS-3GA-29.230(Rel10)v10.9.0.pdf |
| Release 11 | | | | | |
| ATIS | ATIS.3GPP.29.230V1160-2014 | 11.6.0 | Approved | May 14 | https://www.atis.org/docstore/default.aspx |
| TTA | TTAT.3G-29.230(R11-11.6.0) | 11.6.0 | published | Aug 13 | http://www.tta.or.kr/data/ttasDown.jsp?where=14688&pk_num=TTAT.3G-29.230(R11-11.6.0) |
| TTC | TS-3GA-29.230(Rel11)v11.6.0 | 11.6.0 | Approved | Jun 13 | http://www.ttc.or.jp/jp/document_list/free/3gpps2013/TS/TS-3GA-29.230(Rel11)v11.6.0.pdf |

5.1.2.12.147 TS 29.231

Application of SIP-I Protocols to Circuit Switched (CS) core network architecture; Stage 3

This specification describes the protocols to be used when SIP-I is optionally used as call control protocol in a 3GPP CS core network on Nc interface. The SIP-I protocol operates between (G)MSC servers. The SIP-I architecture consists of a number of protocols. The following types of protocols are described: call control protocol, resource control protocols and user plane protocol for this architecture.

| SDO (2) | Document No. | Version | Status | Issued date | Location (1) |
|-------------------|-----------------------------|---------|-----------|-------------|---|
| Release 8 | | | | | |
| TTC | TS-3GA-29.231(Rel8)v8.4.0 | 8.4.0 | Approved | Jul 10 | http://www.ttc.or.jp/j/document_list/free/3gpps2010/TS/TS-3GA-29.231(Rel8)v8.4.0.pdf |
| Release 9 | | | | | |
| TTC | TS-3GA-29.231(Rel9)v9.1.0 | 9.1.0 | Approved | Jul 10 | http://www.ttc.or.jp/j/document_list/free/3gpps2010/TS/TS-3GA-29.231(Rel9)v9.1.0.pdf |
| Release 10 | | | | | |
| TTC | TS-3GA-29.231(Rel10)v10.0.0 | 10.0.0 | Approved | Jun 11 | http://www.ttc.or.jp/j/document_list/free/3gpps2011/TS/TS-3GA-29.231(Rel10)v10.0.0.pdf |
| Release 11 | | | | | |
| ATIS | ATIS.3GPP.29.231V1100-2014 | 11.0.0 | Approved | May 14 | https://www.atis.org/docstore/default.aspx |
| TTA | TTAT.3G-29.231(R11-11.0.0) | 11.0.0 | published | Aug 13 | http://www.tta.or.kr/data/ttasDown.jsp?where=14688&pk_num=TTAT.3G-29.231(R11-11.0.0) |
| TTC | TS-3GA-29.231(Rel11)v11.0.0 | 11.0.0 | Approved | Jun 13 | http://www.ttc.or.jp/j/document_list/free/3gpps2013/TS/TS-3GA-29.231(Rel11)v11.0.0.pdf |

5.1.2.12.148 TS 29.232

Media Gateway Controller (MGC) – Media Gateway (MGW) interface; Stage 3

This document describes the protocol to be used on the Media Gateway Controller (MGC) – Media Gateway (MGW) interface. The Media Gateway Controllers covered in this specification are the MSC server and the GMSC server. The basis for this interface profile is the H.248.1 protocol. The usage of this protocol is described in 3GPP TS 23.205 and 3GPP TS 29.205 for BICC circuit switched core network, in 3GPP TS 23.231 and 3GPP TS 29.231 for SIP-I circuit switched core network.

This profile includes the support for the enhanced MSC server to provide access to IMS Centralised services as described in 3GPP TS 23.292 and thus the procedures related to this interface are described in 3GPP TS 29.292. As a result the interworking with SIP and the associated MGW control procedures described in 3GPP TS 29.163 for the interworking between BICC/ISUP circuit switched core network and IP Multimedia core network are incorporated.

This specification describes the changes to H.248 which are needed to handle 3GPP specific traffic cases. This is done by using the H.248 standard extension mechanism. In addition certain aspects of the base protocol H.248 are not needed for this interface and thus excluded by this profile.

| SDO (2) | Document No. | Version | Status | Issued date | Location (1) |
|-------------------|-----------------------------|---------|-----------|-------------|---|
| Release 4 | | | | | |
| CCSA | CCSA-TSD-DS-29.232 | 4.17.0 | Published | Jun 12 | http://www.ccsa.org.cn/english/tc/files.php?docpath=/ITU-R/M.1457/M.1457-12/DS |
| ETSI | ETSI TS 129 232 | 4.17.0 | Published | Jul 07 | http://www.etsi.org/deliver/etsi_ts/129200_129299/129232/04.17.00_60/ |
| TTC | TS-3GA-29.232(Rel4)v4.17.0 | 4.17.0 | Approved | Mar 08 | http://www.ttc.or.jp/j/document_list/free/TS/TS-3GA-29.232(Rel4)v4.17.0.pdf |
| Release 5 | | | | | |
| CCSA | CCSA-TSD-DS-29.232 | 5.22.0 | Published | Jun 12 | http://www.ccsa.org.cn/english/tc/files.php?docpath=/ITU-R/M.1457/M.1457-12/DS |
| ETSI | ETSI TS 129 232 | 5.22.0 | Published | Jun 08 | http://www.etsi.org/deliver/etsi_ts/129200_129299/129232/05.22.00_60/ |
| TTC | TS-3GA-29.232(Rel5)v5.22.0 | 5.22.0 | Approved | Feb 09 | http://www.ttc.or.jp/j/document_list/free/3gpps2009/TS/TS-3GA-29.232(Rel5)v5.22.0.pdf |
| Release 6 | | | | | |
| CCSA | CCSA-TSD-DS-29.232 | 6.14.0 | Published | Jun 12 | http://www.ccsa.org.cn/english/tc/files.php?docpath=/ITU-R/M.1457/M.1457-12/DS |
| ETSI | ETSI TS 129 232 | 6.14.0 | Published | Oct 08 | http://www.etsi.org/deliver/etsi_ts/129200_129299/129232/06.14.00_60/ |
| TTC | TS-3GA-29.232(Rel6)v6.14.0 | 6.14.0 | Approved | Feb 09 | http://www.ttc.or.jp/j/document_list/free/3gpps2009/TS/TS-3GA-29.232(Rel6)v6.14.0.pdf |
| Release 7 | | | | | |
| CCSA | CCSA-TSD-DS-29.232 | 7.11.0 | Published | Jun 12 | http://www.ccsa.org.cn/english/tc/files.php?docpath=/ITU-R/M.1457/M.1457-12/DS |
| ETSI | ETSI TS 129 232 | 7.11.0 | Published | Oct 08 | http://www.etsi.org/deliver/etsi_ts/129200_129299/129232/07.11.00_60/ |
| TTC | TS-3GA-29.232(Rel7)v7.11.0 | 7.11.0 | Approved | Feb 09 | http://www.ttc.or.jp/j/document_list/free/3gpps2009/TS/TS-3GA-29.232(Rel7)v7.11.0.pdf |
| Release 8 | | | | | |
| CCSA | CCSA-TSD-DS-29.232 | 8.9.1 | Published | Jun 12 | http://www.ccsa.org.cn/english/tc/files.php?docpath=/ITU-R/M.1457/M.1457-12/DS |
| ETSI | ETSI TS 129 232 | 8.9.1 | Published | May 10 | http://www.etsi.org/deliver/etsi_ts/129200_129299/129232/08.09.01_60/ |
| TTC | TS-3GA-29.232(Rel8)v8.9.0 | 8.9.0 | Approved | Apr 10 | http://www.ttc.or.jp/j/document_list/free/3gpps2010/TS/TS-3GA-29.232(Rel8)v8.9.0.pdf |
| Release 9 | | | | | |
| ATIS | ATIS.3GPP.29.232V920-2012 | 9.2.0 | Approved | Jul 12 | https://www.atis.org/docstore/default.aspx |
| CCSA | CCSA-TSD-DS-29.232 | 9.2.0 | Published | Jun 12 | http://www.ccsa.org.cn/english/tc/files.php?docpath=/ITU-R/M.1457/M.1457-12/DS |
| ETSI | ETSI TS 129 232 | 9.2.0 | Published | Oct 11 | http://www.etsi.org/deliver/etsi_ts/129200_129299/129232/09.02.00_60/ |
| TTA | TTAT.3G-29.232(R9-9.0.1) | 9.0.1 | Approved | Jul 10 | http://www.tta.or.kr/data/ttasDown.jsp?where=14688&pk_num=TTAT.3G-29.232(R9-9.0.1) |
| TTC | TS-3GA-29.232(Rel9)v9.2.0 | 9.2.0 | Approved | Dec 11 | http://www.ttc.or.jp/j/document_list/free/3gpps2011/TS/TS-3GA-29.232(Rel9)v9.2.0.pdf |
| Release 10 | | | | | |
| ATIS | ATIS.3GPP.29.232V1050-2014 | 10.5.0 | Approved | May 14 | https://www.atis.org/docstore/default.aspx |
| CCSA | CCSA-TSD-DS-29.232 | 10.3.0 | Published | Jun 12 | http://www.ccsa.org.cn/english/tc/files.php?docpath=/ITU-R/M.1457/M.1457-12/DS |
| ETSI | ETSI TS 129 232 | 10.5.0 | Published | Jan 13 | http://www.etsi.org/deliver/etsi_ts/129200_129299/129232/10.05.00_60/ |
| TTA | TTAT.3G-29.232(R10-10.3.0) | 10.3.0 | Approved | Aug 12 | http://www.tta.or.kr/data/ttasDown.jsp?where=14688&pk_num=TTAT.3G-29.232(R10-10.3.0) |
| TTC | TS-3GA-29.232(Rel10)v10.5.0 | 10.5.0 | Approved | Jun 13 | http://www.ttc.or.jp/j/document_list/free/3gpps2013/TS/TS-3GA-29.232(Rel10)v10.5.0.pdf |
| Release 11 | | | | | |
| ATIS | ATIS.3GPP.29.232V1110-2014 | 11.1.0 | Approved | May 14 | https://www.atis.org/docstore/default.aspx |
| CCSA | CCSA-TSD-DS-29.232 | 11.2.0 | Published | Jun 14 | http://www.ccsa.org.cn/english/tc/files.php?docpath=/ITU-R/M.1457/M.1457-12/DS |
| ETSI | ETSI TS 129 232 | 11.1.0 | Published | Jan 13 | http://www.etsi.org/deliver/etsi_ts/129200_129299/129232/11.01.00_60/ |
| TTA | TTAT.3G-29.232(R11-11.1.0) | 11.1.0 | published | Aug 13 | http://www.tta.or.kr/data/ttasDown.jsp?where=14688&pk_num=TTAT.3G-29.232(R11-11.1.0) |
| TTC | TS-3GA-29.232(Rel11)v11.1.0 | 11.1.0 | Approved | Jun 13 | http://www.ttc.or.jp/j/document_list/free/3gpps2013/TS/TS-3GA-29.232(Rel11)v11.1.0.pdf |

5.1.2.12.149 TS 29.234**3GPP system to Wireless Local Area Network (WLAN) interworking; Stage 3**

This document defines the stage-3 protocol description for several reference points in the WLAN-3GPP Interworking System.

The document is applicable to:

- the Dw reference point between the 3GPP AAA Server and an SLF;
- the Wa reference point between the WLAN AN and the 3GPP AAA Proxy;
- the Wd reference point between the 3GPP AAA Proxy and 3GPP AAA Server;
- the Wx reference point between the 3GPP AAA Server and the HSS;
- the Wm reference point between the 3GPP AAA Server and the PDG;
- the Wg reference point between the 3GPP AAA Server/Proxy and the WAG;
- the Pr reference point between the 3GPP AAA Server and the PNA.

| SDO (2) | Document No. | Version | Status | Issued date | Location (1) |
|-------------------|-----------------------------|---------|-----------|-------------|---|
| Release 6 | | | | | |
| TTC | TS-3GA-29.234(Rel6)v6.17.0 | 6.17.0 | Approved | Jun 13 | http://www.ttc.or.jp/jp/document_list/free/3gpps2013/TS/TS-3GA-29.234(Rel6)v6.17.0.pdf |
| Release 7 | | | | | |
| TTC | TS-3GA-29.234(Rel7)v7.14.0 | 7.14.0 | Approved | Jun 13 | http://www.ttc.or.jp/jp/document_list/free/3gpps2013/TS/TS-3GA-29.234(Rel7)v7.14.0.pdf |
| Release 8 | | | | | |
| TTC | TS-3GA-29.234(Rel8)v8.5.0 | 8.5.0 | Approved | Jun 13 | http://www.ttc.or.jp/jp/document_list/free/3gpps2013/TS/TS-3GA-29.234(Rel8)v8.5.0.pdf |
| Release 9 | | | | | |
| TTC | TS-3GA-29.234(Rel9)v9.3.0 | 9.3.0 | Approved | Jun 13 | http://www.ttc.or.jp/jp/document_list/free/3gpps2013/TS/TS-3GA-29.234(Rel9)v9.3.0.pdf |
| Release 10 | | | | | |
| TTC | TS-3GA-29.234(Rel10)v10.3.0 | 10.3.0 | Approved | Jun 13 | http://www.ttc.or.jp/jp/document_list/free/3gpps2013/TS/TS-3GA-29.234(Rel10)v10.3.0.pdf |
| Release 11 | | | | | |
| ATIS | ATIS.3GPP.29.234V1110-2014 | 11.1.0 | Approved | May 14 | https://www.atis.org/docstore/default.aspx |
| TTA | TTAT.3G-29.234(R11-11.1.0) | 11.1.0 | published | Aug 13 | http://www.tta.or.kr/data/ttasDown.jsp?where=14688&pk_num=TTAT.3G-29.234(R11-11.1.0) |
| TTC | TS-3GA-29.234(Rel11)v11.1.0 | 11.1.0 | Approved | Jun 13 | http://www.ttc.or.jp/jp/document_list/free/3gpps2013/TS/TS-3GA-29.234(Rel11)v11.1.0.pdf |

5.1.2.12.150 TS 29.235**Interworking between SIP-I based circuit-switched core network and other networks**

This specification defines the interworking between SIP-I based circuit-switched core network with out-of-band transcoder control related procedures and:

- an external SIP-I based signalling network – an ISUP based network such as an ISUP based 3GPP CS Domain or an PSTN – an BICC based network such as an BICC based 3GPP CS Domain – an Internet Multimedia Subsystem.

| SDO (2) | Document No. | Version | Status | Issued date | Location (1) |
|-------------------|-----------------------------|---------|-----------|-------------|---|
| Release 8 | | | | | |
| ATIS | ATIS.3GPP.29.235V860-2014 | 8.6.0 | Approved | May 14 | https://www.atis.org/docstore/default.aspx |
| CCSA | CCSA-TSD-DS-29.235 | 8.5.0 | Published | Mar 10 | http://www.ccsa.org.cn/english/tc/files.php?docpath=/ITU-R/M.1457/M.1457-12/DS |
| ETSI | ETSI TS 129 235 | 8.6.0 | Published | Jul 12 | http://www.etsi.org/deliver/etsi_ts/129200_129299/129235/08.06.00_60/ |
| TTA | TTAT.3G-29.235(R8-8.2.0) | 8.2.0 | Approved | Jul 09 | http://www.tta.or.kr/data/ttasDown.jsp?where=14688&pk_num=TTAT.3G-29.235(R8-8.2.0) |
| TTC | TS-3GA-29.235(Rel8)v8.6.0 | 8.6.0 | Approved | Sep 12 | http://www.ttc.or.jp/j/document_list/free/3gpps2010/TS/TS-3GA-29.235(Rel8)v8.5.0.pdf |
| Release 9 | | | | | |
| ATIS | ATIS.3GPP.29.235V980-2014 | 9.8.0 | Approved | May 14 | https://www.atis.org/docstore/default.aspx |
| CCSA | CCSA-TSD-DS-29.235 | 9.7.0 | Published | Jun 12 | http://www.ccsa.org.cn/english/tc/files.php?docpath=/ITU-R/M.1457/M.1457-12/DS |
| ETSI | ETSI TS 129 235 | 9.8.0 | Published | Jul 12 | http://www.etsi.org/deliver/etsi_ts/129200_129299/129235/09.08.00_60/ |
| TTA | TTAT.3G-29.235(R9-9.4.0) | 9.4.0 | Approved | Jul 10 | http://www.tta.or.kr/data/ttasDown.jsp?where=14688&pk_num=TTAT.3G-29.235(R9-9.4.0) |
| TTA | TTAT.3G-29.235(R9-9.0.0) | 9.0.0 | Approved | Jul 09 | http://www.tta.or.kr/data/ttasDown.jsp?where=14688&pk_num=TTAT.3G-29.235(R9-9.0.0) |
| TTC | TS-3GA-29.235(Rel9)v9.8.0 | 9.8.0 | Approved | Sep 12 | http://www.ttc.or.jp/j/document_list/free/3gpps2011/TS/TS-3GA-29.235(Rel9)v9.7.0.pdf |
| Release 10 | | | | | |
| ATIS | ATIS.3GPP.29.235V1010-2014 | 10.1.0 | Approved | May 14 | https://www.atis.org/docstore/default.aspx |
| CCSA | CCSA-TSD-DS-29.235 | 10.0.0 | Published | Jun 12 | http://www.ccsa.org.cn/english/tc/files.php?docpath=/ITU-R/M.1457/M.1457-12/DS |
| ETSI | ETSI TS 129 235 | 10.1.0 | Published | Jul 12 | http://www.etsi.org/deliver/etsi_ts/129200_129299/129235/10.01.00_60/ |
| TTA | TTAT.3G-29.235(R10-10.0.0) | 10.0.0 | Approved | Apr 12 | http://www.tta.or.kr/data/ttasDown.jsp?where=14688&pk_num=TTAT.3G-29.235(R10-10.0.0) |
| TTC | TS-3GA-29.235(Rel10)v10.1.0 | 10.1.0 | Approved | Sep 12 | http://www.ttc.or.jp/j/document_list/free/3gpps2011/TS/TS-3GA-29.235(Rel10)v10.0.0.pdf |
| Release 11 | | | | | |
| ATIS | ATIS.3GPP.29.235V1110-2014 | 11.1.0 | Approved | May 14 | https://www.atis.org/docstore/default.aspx |
| ETSI | ETSI TS 129 235 | 11.1.0 | Published | Jan 13 | http://www.etsi.org/deliver/etsi_ts/129200_129299/129235/11.01.00_60/ |
| TTA | TTAT.3G-29.235(R11-11.1.0) | 11.1.0 | published | Aug 13 | http://www.tta.or.kr/data/ttasDown.jsp?where=14688&pk_num=TTAT.3G-29.235(R11-11.1.0) |
| TTC | TS-3GA-29.235(Rel11)v11.1.0 | 11.1.0 | Approved | Jun 13 | http://www.ttc.or.jp/j/document_list/free/3gpps2013/TS/TS-3GA-29.235(Rel11)v11.1.0.pdf |

5.1.2.12.151 TS 29.238

Interconnection Border Control Functions (IBCF) – Transition Gateway (TrGW) interface, Ix interface; Stage 3

This document describes the protocol to be used on the Interconnection Border Control Function (IBCF) – Transition Gateway (TrGW) interface and the CS-IBCF – CS-TrGW interface. The basis for this protocol is the H.248 protocol. The Profile provides MG control function for IMS and CS Border Control. The IMS architecture is described in 3GPP TS 23.228. The underlying reference model and stage 2 information is described in 3GPP TS 23.228 and in 3GPP TS 29.162. The CS architecture is described in 3GPP TS 29.235.

This specification describes the application of H.248 Ix profile for both Ix and CS-Ix interfaces. Required extensions use the H.248 standard extension mechanism. In addition certain aspects of the base protocol H.248 are not needed for this interface and thus excluded by this profile.

| SDO (2) | Document No. | Version | Status | Issued date | Location (1) |
|------------------|---------------------------|---------|-----------|-------------|---|
| Release 9 | | | | | |
| ATIS | ATIS.3GPP.29.238V930-2012 | 9.3.0 | Approved | Jul 12 | https://www.atis.org/docstore/default.aspx |
| CCSA | CCSA-TSD-DS-29.238 | 9.3.0 | Published | Jun 12 | http://www.ccsa.org.cn/english/tc/files.php?docpath=/ITU-R/M.1457/M.1457-12/DS |

| | | | | | |
|-------------------|-----------------------------|--------|-----------|--------|---|
| ETSI | ETSI TS 129 238 | 9.3.0 | Published | Oct 10 | http://www.etsi.org/deliver/etsi_ts/129200_129299/129238/09.03.00_60/ |
| TTA | TTAT.3G-29.238(R9-9.1.0) | 9.1.0 | Approved | Jul 10 | http://www.tta.or.kr/data/ttasDown.jsp?where=14688&pk_num=TTAT.3G-29.238(R9-9.1.0) |
| TTC | TS-3GA-29.238(Rel9)v9.3.0 | 9.3.0 | Approved | Dec 10 | http://www.ttc.or.jp/jp/document_list/free/3gpps2010/TS/TS-3GA-29.238(Rel9)v9.3.0.pdf |
| Release 10 | | | | | |
| ATIS | ATIS.3GPP.29.238V1050-2014 | 10.5.0 | Approved | May 14 | https://www.atis.org/docstore/default.aspx |
| CCSA | CCSA-TSD-DS-29.238 | 10.3.0 | Published | Jun 12 | http://www.ccsa.org.cn/english/tc/files.php?docpath=/ITU-R/M.1457/M.1457-12/DS |
| ETSI | ETSI TS 129 238 | 10.5.0 | Published | Jan 13 | http://www.etsi.org/deliver/etsi_ts/129200_129299/129238/10.05.00_60/ |
| TTA | TTAT.3G-29.238(R10-10.3.0) | 10.3.0 | Approved | Aug 12 | http://www.tta.or.kr/data/ttasDown.jsp?where=14688&pk_num=TTAT.3G-29.238(R10-10.3.0) |
| TTC | TS-3GA-29.238(Rel10)v10.5.0 | 10.5.0 | Approved | Jun 13 | http://www.ttc.or.jp/jp/document_list/free/3gpps2013/TS/TS-3GA-29.238(Rel10)v10.5.0.pdf |
| Release 11 | | | | | |
| ATIS | ATIS.3GPP.29.238V1110-2014 | 11.1.0 | Approved | May 14 | https://www.atis.org/docstore/default.aspx |
| CCSA | CCSA-TSD-DS-29.238 | 11.2.0 | Published | Jun 14 | http://www.ccsa.org.cn/english/tc/files.php?docpath=/ITU-R/M.1457/M.1457-12/DS |
| ETSI | ETSI TS 129 238 | 11.1.0 | Published | Jan 13 | http://www.etsi.org/deliver/etsi_ts/129200_129299/129238/11.01.00_60/ |
| TTA | TTAT.3G-29.238(R11-11.1.0) | 11.1.0 | published | Aug 13 | http://www.tta.or.kr/data/ttasDown.jsp?where=14688&pk_num=TTAT.3G-29.238(R11-11.1.0) |
| TTC | TS-3GA-29.238(Rel11)v11.1.0 | 11.1.0 | Approved | Jun 13 | http://www.ttc.or.jp/jp/document_list/free/3gpps2013/TS/TS-3GA-29.238(Rel11)v11.1.0.pdf |

5.1.2.12.152 TS 29.272

Evolved Packet System (EPS); Mobility Management Entity (MME) and Serving GPRS Support Node (SGSN) related interfaces based on Diameter protocol

This document describes the Mobility Management Entity (MME) and Serving GPRS Support Node (SGSN) related diameter-based interfaces towards the Home Subscriber Server (HSS), and the MME and the SGSN related diameter-based interface towards the Equipment Identity Register (EIR). This specification defines the Diameter application for the MME-HSS, S6a reference point, and for the SGSN-HSS, S6d reference point. The interactions between the HSS and the MME/SGSN are specified, including the signalling flows. This specification defines the Diameter application for the MME-EIR, S13 reference point, and for the SGSN-EIR, S13' reference point. The interactions between the MME/SGSN and the EIR are specified, including the signalling flows.

| SDO (2) | Document No. | Version | Status | Issued date | Location (1) |
|-------------------|----------------------------|---------|-----------|-------------|---|
| Release 8 | | | | | |
| CCSA | CCSA-TSD-DS-29.272 | 8.11.0 | Published | Jun 12 | http://www.ccsa.org.cn/english/tc/files.php?docpath=/ITU-R/M.1457/M.1457-12/DS |
| ETSI | ETSI TS 129 272 | 8.12.0 | Published | Jan 13 | http://www.etsi.org/deliver/etsi_ts/129200_129299/129272/08.12.00_60/ |
| TTC | TS-3GA-29.272(Rel8)v8.12.0 | 8.12.0 | Approved | Jun 13 | http://www.ttc.or.jp/jp/document_list/free/3gpps2013/TS/TS-3GA-29.272(Rel8)v8.12.0.pdf |
| Release 9 | | | | | |
| ATIS | ATIS.3GPP.29.272V9110-2014 | 9.11.0 | Approved | May 14 | https://www.atis.org/docstore/default.aspx |
| CCSA | CCSA-TSD-DS-29.272 | 9.9.0 | Published | Jun 12 | http://www.ccsa.org.cn/english/tc/files.php?docpath=/ITU-R/M.1457/M.1457-12/DS |
| ETSI | ETSI TS 129 272 | 9.11.0 | Published | Jan 13 | http://www.etsi.org/deliver/etsi_ts/129200_129299/129272/09.11.00_60/ |
| TTA | TTAT.3G-29.272(R9-9.2.0) | 9.2.0 | Approved | Jul 10 | http://www.tta.or.kr/data/ttasDown.jsp?where=14688&pk_num=TTAT.3G-29.272(R9-9.2.0) |
| TTC | TS-3GA-29.272(Rel9)v9.11.0 | 9.11.0 | Approved | Jun 13 | http://www.ttc.or.jp/jp/document_list/free/3gpps2013/TS/TS-3GA-29.272(Rel9)v9.11.0.pdf |
| Release 10 | | | | | |
| ATIS | ATIS.3GPP.29.272V1070-2014 | 10.7.0 | Approved | May 14 | https://www.atis.org/docstore/default.aspx |

| | | | | | |
|-------------------|-----------------------------|--------|-----------|--------|---|
| CCSA | CCSA-TSD-DS-29.272 | 10.5.0 | Published | Jun 12 | http://www.ccsa.org.cn/english/tc/files.php?docpath=/ITU-R/M.1457/M.1457-12/DS |
| ETSI | ETSI TS 129 272 | 10.7.0 | Published | Jan 13 | http://www.etsi.org/deliver/etsi_ts/129200_129299/129272/10.07.00_60/ |
| TTA | TTAT.3G-29.272(R10-10.6.0) | 10.6.0 | Approved | Aug 12 | http://www.tta.or.kr/data/ttasDown.jsp?where=14688&pk_num=TTAT.3G-29.272(R10-10.6.0) |
| TTC | TS-3GA-29.272(Rel10)v10.7.0 | 10.7.0 | Approved | Jun 13 | http://www.ttc.or.jp/jp/document_list/free/3gpps2013/TS/TS-3GA-29.272(Rel10)v10.7.0.pdf |
| Release 11 | | | | | |
| ATIS | ATIS.3GPP.29.272V1160-2014 | 11.6.0 | Approved | May 14 | https://www.atis.org/docstore/default.aspx |
| CCSA | CCSA-TSD-DS-29.272 | 11.2.0 | Published | Jun 14 | http://www.ccsa.org.cn/english/tc/files.php?docpath=/ITU-R/M.1457/M.1457-12/DS |
| ETSI | ETSI TS 129 272 | 11.6.0 | Published | Apr 13 | http://www.etsi.org/deliver/etsi_ts/129200_129299/129272/11.06.00_60/ |
| TTA | TTAT.3G-29.272(R11-11.6.0) | 11.6.0 | published | Aug 13 | http://www.tta.or.kr/data/ttasDown.jsp?where=14688&pk_num=TTAT.3G-29.272(R11-11.6.0) |
| TTC | TS-3GA-29.272(Rel11)v11.6.0 | 11.6.0 | Approved | Jun 13 | http://www.ttc.or.jp/jp/document_list/free/3gpps2013/TS/TS-3GA-29.272(Rel11)v11.6.0.pdf |

5.1.2.12.153 TS 29.273

Evolved Packet System (EPS); 3GPP EPS AAA interfaces

This document defines the stage-3 protocol description for several reference points for the non-3GPP access in EPS.

| SDO (2) | Document No. | Version | Status | Issued date | Location (1) |
|-------------------|-----------------------------|---------|-----------|-------------|---|
| Release 8 | | | | | |
| CCSA | CCSA-TSD-DS-29.273 | 8.9.0 | Published | Jun 12 | http://www.ccsa.org.cn/english/tc/files.php?docpath=/ITU-R/M.1457/M.1457-12/DS |
| ETSI | ETSI TS 129 273 | 8.12.0 | Published | Jan 13 | http://www.etsi.org/deliver/etsi_ts/129200_129299/129273/08.12.00_60/ |
| TTC | TS-3GA-29.273(Rel8)v8.12.0 | 8.12.0 | Approved | Jun 13 | http://www.ttc.or.jp/jp/document_list/free/3gpps2013/TS/TS-3GA-29.273(Rel8)v8.12.0.pdf |
| Release 9 | | | | | |
| ATIS | ATIS.3GPP.29.273V9110-2014 | 9.11.0 | Approved | May 14 | https://www.atis.org/docstore/default.aspx |
| CCSA | CCSA-TSD-DS-29.273 | 9.8.0 | Published | Jun 12 | http://www.ccsa.org.cn/english/tc/files.php?docpath=/ITU-R/M.1457/M.1457-12/DS |
| ETSI | ETSI TS 129 273 | 9.11.0 | Published | Jan 13 | http://www.etsi.org/deliver/etsi_ts/129200_129299/129273/09.11.00_60/ |
| TTA | TTAT.3G-29.273(R9-9.2.0) | 9.2.0 | Approved | Jul 10 | http://www.tta.or.kr/data/ttasDown.jsp?where=14688&pk_num=TTAT.3G-29.273(R9-9.2.0) |
| TTC | TS-3GA-29.273(Rel9)v9.11.0 | 9.11.0 | Approved | Jun 13 | http://www.ttc.or.jp/jp/document_list/free/3gpps2013/TS/TS-3GA-29.273(Rel9)v9.11.0.pdf |
| Release 10 | | | | | |
| ATIS | ATIS.3GPP.29.273V1090-2014 | 10.9.0 | Approved | May 14 | https://www.atis.org/docstore/default.aspx |
| CCSA | CCSA-TSD-DS-29.273 | 10.4.0 | Published | Jun 12 | http://www.ccsa.org.cn/english/tc/files.php?docpath=/ITU-R/M.1457/M.1457-12/DS |
| ETSI | ETSI TS 129 273 | 10.9.0 | Published | Apr 13 | http://www.etsi.org/deliver/etsi_ts/129200_129299/129273/10.09.00_60/ |
| TTA | TTAT.3G-29.273(R10-10.5.0) | 10.5.0 | Approved | Aug 12 | http://www.tta.or.kr/data/ttasDown.jsp?where=14688&pk_num=TTAT.3G-29.273(R10-10.5.0) |
| TTC | TS-3GA-29.273(Rel10)v10.9.0 | 10.9.0 | Approved | Jun 13 | http://www.ttc.or.jp/jp/document_list/free/3gpps2013/TS/TS-3GA-29.273(Rel10)v10.9.0.pdf |
| Release 11 | | | | | |
| ATIS | ATIS.3GPP.29.273V1150-2014 | 11.5.0 | Approved | May 14 | https://www.atis.org/docstore/default.aspx |
| CCSA | CCSA-TSD-DS-29.273 | 11.9.0 | Published | Jun 14 | http://www.ccsa.org.cn/english/tc/files.php?docpath=/ITU-R/M.1457/M.1457-12/DS |
| ETSI | ETSI TS 129 273 | 11.5.0 | Published | Apr 13 | http://www.etsi.org/deliver/etsi_ts/129200_129299/129273/11.05.00_60/ |
| TTA | TTAT.3G-29.273(R11-11.5.0) | 11.5.0 | published | Aug 13 | http://www.tta.or.kr/data/ttasDown.jsp?where=14688&pk_num=TTAT.3G-29.273(R11-11.5.0) |
| TTC | TS-3GA-29.273(Rel11)v11.5.0 | 11.5.0 | Approved | Jun 13 | http://www.ttc.or.jp/jp/document_list/free/3gpps2013/TS/TS-3GA-29.273(Rel11)v11.5.0.pdf |

5.1.2.12.154 TS 29.274

3GPP Evolved Packet System (EPS); Evolved General Packet Radio Service (GPRS) Tunnelling Protocol for Control plane (GTPv2-C); Stage 3

This document specifies the stage 3 of the control plane of the GPRS Tunnelling Protocol, Version 2 for Evolved Packet System interfaces (GTPv2_C). In this document, unless otherwise specified the S5 interface refers always to “GTP-based S5” and S8 interface refers always to “GTP_based S8” interface.

| SDO (2) | Document No. | Version | Status | Issued date | Location (1) |
|-------------------|------------------------------|---------|-----------|-------------|---|
| Release 8 | | | | | |
| CCSA | CCSA-TSD-DS-29.274 | 8.11.0 | Published | Jun 12 | http://www.ccsa.org.cn/english/tc/files.php?docpath=/ITU-R/M.1457/M.1457-12/DS |
| ETSI | ETSI TS 129 274 | 8.11.0 | Published | Jan 12 | http://www.etsi.org/deliver/etsi_ts/129200_129299/129274/08.11.00_60/ |
| TTC | TS-3GA-29.274(Rel8)v8.11.0 | 8.11.0 | Approved | Feb 12 | http://www.ttc.or.jp/j/document_list/free/3gpps2012/TS/TS-3GA-29.274(Rel8)v8.11.0.pdf |
| Release 9 | | | | | |
| ATIS | ATIS.3GPP.29.274V9110-2014 | 9.11.0 | Approved | May 14 | https://www.atis.org/docstore/default.aspx |
| CCSA | CCSA-TSD-DS-29.274 | 9.9.0 | Published | Jun 12 | http://www.ccsa.org.cn/english/tc/files.php?docpath=/ITU-R/M.1457/M.1457-12/DS |
| ETSI | ETSI TS 129 274 | 9.11.0 | Published | Jan 13 | http://www.etsi.org/deliver/etsi_ts/129200_129299/129274/09.11.00_60/ |
| TTA | TTAT.3G-29.274(R9-9.2.0) | 9.2.0 | Approved | Jul 10 | http://www.tta.or.kr/data/ttasDown.jsp?where=14688&pk_num=TTAT.3G-29.274(R9-9.2.0) |
| TTC | TS-3GA-29.274(Rel9)v9.11.0 | 9.11.0 | Approved | Jun 13 | http://www.ttc.or.jp/j/document_list/free/3gpps2013/TS/TS-3GA-29.274(Rel9)v9.11.0.pdf |
| Release 10 | | | | | |
| ATIS | ATIS.3GPP.29.274V10100- | 10.10.0 | Approved | May 14 | https://www.atis.org/docstore/default.aspx |
| CCSA | CCSA-TSD-DS-29.274 | 10.5.0 | Published | Jun 12 | http://www.ccsa.org.cn/english/tc/files.php?docpath=/ITU-R/M.1457/M.1457-12/DS |
| ETSI | ETSI TS 129 274 | 10.10.0 | Published | Apr 13 | http://www.etsi.org/deliver/etsi_ts/129200_129299/129274/10.10.00_60/ |
| TTA | TTAT.3G-29.274(R10-10.6.0) | 10.6.0 | Approved | Aug 12 | http://www.tta.or.kr/data/ttasDown.jsp?where=14688&pk_num=TTAT.3G-29.274(R10-10.6.0) |
| TTC | TS-3GA-29.274(Rel10)v10.10.0 | 10.10.0 | Approved | Jun 13 | http://www.ttc.or.jp/jp/document_list/free/3gpps2013/TS/TS-3GA-29.274(Rel10)v10.10.0.pdf |
| Release 11 | | | | | |
| ATIS | ATIS.3GPP.29.274V1160-2014 | 11.6.0 | Approved | May 14 | https://www.atis.org/docstore/default.aspx |
| CCSA | CCSA-TSD-DS-29.274 | 11.11.0 | Published | Jun 14 | http://www.ccsa.org.cn/english/tc/files.php?docpath=/ITU-R/M.1457/M.1457-12/DS |
| ETSI | ETSI TS 129 274 | 11.6.0 | Published | Apr 13 | http://www.etsi.org/deliver/etsi_ts/129200_129299/129274/11.06.00_60/ |
| TTA | TTAT.3G-29.274(R11-11.6.0) | 11.6.0 | published | Aug 13 | http://www.tta.or.kr/data/ttasDown.jsp?where=14688&pk_num=TTAT.3G-29.274(R11-11.6.0) |
| TTC | TS-3GA-29.274(Rel11)v11.6.0 | 11.6.0 | Approved | Jun 13 | http://www.ttc.or.jp/jp/document_list/free/3gpps2013/TS/TS-3GA-29.274(Rel11)v11.6.0.pdf |

5.1.2.12.155 TS 29.275

Prox Mobile IPv6 (PMIPv6) based Mobility and Tunnelling protocols; Stage 3

This document specifies the Stage 3 of the PMIPv6 Based Mobility and Tunnelling Protocols used over the PMIP-based S2a, S2b, S5, and S8 reference points defined in 3GPP TS 23.402, and are thus applicable to the Serving GW, PDN Gateway, ePDG, and Trusted Non-3GPP Access. Protocols specifications are compliant with relevant IETF RFCs. In this specification PMIP refers to PMIPv6 as defined in IETF RFC 5213.

| SDO (2) | Document No. | Version | Status | Issued date | Location (1) |
|------------------|---------------------------|---------|-----------|-------------|---|
| Release 8 | | | | | |
| CCSA | CCSA-TSD-DS-29.275 | 8.8.0 | Published | Jun 12 | http://www.ccsa.org.cn/english/tc/files.php?docpath=/ITU-R/M.1457/M.1457-12/DS |
| ETSI | ETSI TS 129 275 | 8.8.0 | Published | Jan 11 | http://www.etsi.org/deliver/etsi_ts/129200_129299/129275/08.08.00_60/ |
| TTC | TS-3GA-29.275(Rel8)v8.8.0 | 8.8.0 | Approved | Apr 11 | http://www.ttc.or.jp/j/document_list/free/3gpps2011/TS/TS-3GA-29.275(Rel8)v8.8.0.pdf |
| Release 9 | | | | | |
| ATIS | ATIS.3GPP.29.275V980-2014 | 9.8.0 | Approved | May 14 | https://www.atis.org/docstore/default.aspx |
| CCSA | CCSA-TSD-DS-29.275 | 9.7.0 | Published | Jun 12 | http://www.ccsa.org.cn/english/tc/files.php?docpath=/ITU-R/M.1457/M.1457-12/DS |

| | | | | | |
|-------------------|-----------------------------|--------|-----------|--------|---|
| ETSI | ETSI TS 129 275 | 9.8.0 | Published | Apr 12 | http://www.etsi.org/deliver/etsi_ts/129200_129299/129275/09.08.00_60/ |
| TTA | TTAT.3G-29.275(R9-9.1.0) | 9.1.0 | Approved | Jul 10 | http://www.tta.or.kr/data/ttasDown.jsp?where=14688&pk_num=TTAT.3G-29.275(R9-9.1.0) |
| TTC | TS-3GA-29.275(Rel9)v9.8.0 | 9.8.0 | Approved | Jun 12 | http://www.ttc.or.jp/j/document_list/free/3gpps2012/TS/TS-3GA-29.275(Rel9)v9.8.0.pdf |
| Release 10 | | | | | |
| ATIS | ATIS.3GPP.29.275V1070-2014 | 10.7.0 | Approved | May 14 | https://www.atis.org/docstore/default.aspx |
| CCSA | CCSA-TSD-DS-29.275 | 10.4.0 | Published | Jun 12 | http://www.ccsa.org.cn/english/tc/files.php?docpath=/ITU-R/M.1457/M.1457-12/DS |
| ETSI | ETSI TS 129 275 | 10.7.0 | Published | Apr 13 | http://www.etsi.org/deliver/etsi_ts/129200_129299/129275/10.07.00_60/ |
| TTA | TTAT.3G-29.275(R10-10.5.0) | 10.5.0 | Approved | Aug 12 | http://www.tta.or.kr/data/ttasDown.jsp?where=14688&pk_num=TTAT.3G-29.275(R10-10.5.0) |
| TTC | TS-3GA-29.275(Rel10)v10.7.0 | 10.7.0 | Approved | Jun 13 | http://www.ttc.or.jp/jp/document_list/free/3gpps2013/TS/TS-3GA-29.275(Rel10)v10.7.0.pdf |
| Release 11 | | | | | |
| ATIS | ATIS.3GPP.29.275V1160-2014 | 11.6.0 | Approved | May 14 | https://www.atis.org/docstore/default.aspx |
| CCSA | CCSA-TSD-DS-29.275 | 11.9.0 | Published | Jun 14 | http://www.ccsa.org.cn/english/tc/files.php?docpath=/ITU-R/M.1457/M.1457-12/DS |
| ETSI | ETSI TS 129 275 | 11.6.0 | Published | Apr 13 | http://www.etsi.org/deliver/etsi_ts/129200_129299/129275/11.06.00_60/ |
| TTA | TTAT.3G-29.275(R11-11.6.0) | 11.6.0 | published | Aug 13 | http://www.tta.or.kr/data/ttasDown.jsp?where=14688&pk_num=TTAT.3G-29.275(R11-11.6.0) |
| TTC | TS-3GA-29.275(Rel11)v11.6.0 | 11.6.0 | Approved | Jun 13 | http://www.ttc.or.jp/jp/document_list/free/3gpps2013/TS/TS-3GA-29.275(Rel11)v11.6.0.pdf |

5.1.2.12.156 TS 29.276

3GPP Evolved Packet System (EPS); Optimized handover procedures and protocols between E-UTRAN access and cdma2000 HRPD Access; Stage 3

This document specifies the Stage 3 of the Evolved Packet System S101 interface between the MME and the HRPD Access Network. The S101 interface supports procedures for Pre-Registration, Session Maintenance and Active handoffs between E-UTRAN and HRPD networks.

| SDO (2) | Document No. | Version | Status | Issued date | Location (1) |
|-------------------|-----------------------------|---------|-----------|-------------|---|
| Release 8 | | | | | |
| CCSA | CCSA-TSD-DS-29.276 | 8.7.0 | Published | Jun 12 | http://www.ccsa.org.cn/english/tc/files.php?docpath=/ITU-R/M.1457/M.1457-12/DS |
| ETSI | ETSI TS 129 276 | 8.7.0 | Published | Jun 11 | http://www.etsi.org/deliver/etsi_ts/129200_129299/129276/08.07.00_60/ |
| TTC | TS-3GA-29.276(Rel8)v8.7.0 | 8.7.0 | Approved | Aug 11 | http://www.ttc.or.jp/j/document_list/free/3gpps2011/TS/TS-3GA-29.276(Rel8)v8.7.0.pdf |
| Release 9 | | | | | |
| ATIS | ATIS.3GPP.29.276V950-2012 | 9.5.0 | Approved | Jul 12 | https://www.atis.org/docstore/default.aspx |
| CCSA | CCSA-TSD-DS-29.276 | 9.5.0 | Published | Jun 12 | http://www.ccsa.org.cn/english/tc/files.php?docpath=/ITU-R/M.1457/M.1457-12/DS |
| ETSI | ETSI TS 129 276 | 9.5.0 | Published | Jun 11 | http://www.etsi.org/deliver/etsi_ts/129200_129299/129276/09.05.00_60/ |
| TTA | TTAT.3G-29.276(R9-9.2.0) | 9.2.0 | Approved | Jul 10 | http://www.tta.or.kr/data/ttasDown.jsp?where=14688&pk_num=TTAT.3G-29.276(R9-9.2.0) |
| TTC | TS-3GA-29.276(Rel9)v9.5.0 | 9.5.0 | Approved | Aug 11 | http://www.ttc.or.jp/j/document_list/free/3gpps2011/TS/TS-3GA-29.276(Rel9)v9.5.0.pdf |
| Release 10 | | | | | |
| ATIS | ATIS.3GPP.29.276V1030-2014 | 10.3.0 | Approved | May 14 | https://www.atis.org/docstore/default.aspx |
| CCSA | CCSA-TSD-DS-29.276 | 10.3.0 | Published | Jun 12 | http://www.ccsa.org.cn/english/tc/files.php?docpath=/ITU-R/M.1457/M.1457-12/DS |
| ETSI | ETSI TS 129 276 | 10.3.0 | Published | Jan 12 | http://www.etsi.org/deliver/etsi_ts/129200_129299/129276/10.03.00_60/ |
| TTA | TTAT.3G-29.276(R10-10.3.0) | 10.3.0 | Approved | Aug 12 | http://www.tta.or.kr/data/ttasDown.jsp?where=14688&pk_num=TTAT.3G-29.276(R10-10.3.0) |
| TTC | TS-3GA-29.276(Rel10)v10.3.0 | 10.3.0 | Approved | Feb 12 | http://www.ttc.or.jp/j/document_list/free/3gpps2012/TS/TS-3GA-29.276(Rel10)v10.3.0.pdf |
| Release 11 | | | | | |
| ATIS | ATIS.3GPP.29.276V1100-2014 | 11.0.0 | Approved | May 14 | https://www.atis.org/docstore/default.aspx |

| | | | | | |
|------|-----------------------------|--------|-----------|--------|---|
| CCSA | CCSA-TSD-DS-29.276 | 11.0.0 | Published | Jun 14 | http://www.ccsa.org.cn/english/tc/files.php?docpath=/ITU-R/M.1457/M.1457-12/DS |
| ETSI | ETSI TS 129 276 | 11.0.0 | Published | Oct 12 | http://www.etsi.org/deliver/etsi_ts/129200_129299/129276/11.00.00_60/ |
| TTA | TTAT.3G-29.276(R11-11.0.0) | 11.0.0 | published | Aug 13 | http://www.tta.or.kr/data/ttasDown.jsp?where=14688&pk_num=TTAT.3G-29.276(R11-11.0.0) |
| TTC | TS-3GA-29.276(Rel11)v11.0.0 | 11.0.0 | Approved | Jun 13 | http://www.ttc.or.jp/j/document_list/free/3gpps2013/TS/TS-3GA-29.276(Rel11)v11.0.0.pdf |

5.1.2.12.157 TS 29.278

Customized Applications for Mobile network Enhanced Logic (CAMEL) Phase 4; CAMEL Application Part (CAP) specification for IP Multimedia Subsystems (IMS)

This document specifies the CAMEL Application Part (CAP) supporting the fourth phase of the network feature Customized Applications for Mobile network Enhanced Logic for IP Multimedia CN subsystems. CAP is based on a sub-set of the ETSI Core INAP CS-2 as specified by ETSI EN 301 140?1. Descriptions and definitions provided by ETSI EN 301 140?1 are directly referenced by this standard in case no additions or clarifications are needed for the use in the CAP.

| SDO (2) | Document No. | Version | Status | Issued date | Location (1) |
|-------------------|-----------------------------|---------|-----------|-------------|---|
| Release 5 | | | | | |
| TTC | TS-3GA-29.278(Rel5)v5.4.0 | 5.4.0 | Approved | May 05 | http://www.ttc.or.jp/j/document_list/free/TS/TS-3GA-29.278(Rel5)v5.4.0.pdf |
| Release 6 | | | | | |
| TTC | TS-3GA-29.278(Rel6)v6.1.0 | 6.1.0 | Approved | May 05 | http://www.ttc.or.jp/j/document_list/free/TS/TS-3GA-29.278(Rel6)v6.1.0.pdf |
| Release 7 | | | | | |
| TTC | TS-3GA-29.278(Rel7)v7.0.0 | 7.0.0 | Approved | Mar 08 | http://www.ttc.or.jp/j/document_list/free/TS/TS-3GA-29.278(Rel7)v7.0.0.pdf |
| Release 8 | | | | | |
| TTC | TS-3GA-29.278(Rel8)v8.0.0 | 8.0.0 | Approved | Feb 09 | http://www.ttc.or.jp/j/document_list/free/3gpps2009/TS/TS-3GA-29.278(Rel8)v8.0.0.pdf |
| Release 9 | | | | | |
| TTC | TS-3GA-29.278(Rel9)v9.0.0 | 9.0.0 | Approved | Jul 10 | http://www.ttc.or.jp/j/document_list/free/3gpps2010/TS/TS-3GA-29.278(Rel9)v9.0.0.pdf |
| Release 10 | | | | | |
| TTC | TS-3GA-29.278(Rel10)v10.0.0 | 10.0.0 | Approved | Jun 11 | http://www.ttc.or.jp/j/document_list/free/3gpps2011/TS/TS-3GA-29.278(Rel10)v10.0.0.pdf |
| Release 11 | | | | | |
| ATIS | ATIS.3GPP.29.278V1100-2014 | 11.0.0 | Approved | May 14 | https://www.atis.org/docstore/default.aspx |
| TTA | TTAT.3G-29.278(R11-11.0.0) | 11.0.0 | published | Aug 13 | http://www.tta.or.kr/data/ttasDown.jsp?where=14688&pk_num=TTAT.3G-29.278(R11-11.0.0) |
| TTC | TS-3GA-29.278(Rel11)v11.0.0 | 11.0.0 | Approved | Jun 13 | http://www.ttc.or.jp/j/document_list/free/3gpps2013/TS/TS-3GA-29.278(Rel11)v11.0.0.pdf |

5.1.2.12.158 TS 29.280

Evolved Packet System (EPS); 3GPP Sv interface (MME to MSC, and SGSN to MSC) for SRVCC

This document describes the Sv interface between the Mobility Management Entity (MME) or Serving GPRS Support Node (SGSN) and 3GPP MSC server enhanced for SRVCC. Sv interface is used to support Inter-RAT handover from VoIP/IMS over EPS to CS domain over 3GPP UTRAN/GERAN access or from UTRAN (HSPA) to 3GPP UTRAN/GERAN access.

| SDO (2) | Document No. | Version | Status | Issued date | Location (1) |
|---------|--------------|---------|--------|-------------|--------------|
|---------|--------------|---------|--------|-------------|--------------|

Release 8

| | | | | | |
|------|---------------------------|-------|-----------|--------|---|
| CCSA | CCSA-TSD-DS-29.280 | 8.8.0 | Published | Jun 12 | http://www.ccsa.org.cn/english/tc/files.php?docpath=/ITU-R/M.1457/M.1457-12/DS |
| ETSI | ETSI TS 129 280 | 8.8.0 | Published | Jan 12 | http://www.etsi.org/deliver/etsi_ts/129200_129299/129280/08.08.00_60/ |
| TTC | TS-3GA-29.280(Rel8)v8.8.0 | 8.8.0 | Approved | Feb 12 | http://www.ttc.or.jp/j/document_list/free/3gpps2012/TS/TS-3GA-29.280(Rel8)v8.8.0.pdf |

Release 9

| | | | | | |
|------|---------------------------|-------|-----------|--------|---|
| ATIS | ATIS.3GPP.29.280V980-2014 | 9.8.0 | Approved | May 14 | https://www.atis.org/docstore/default.aspx |
| CCSA | CCSA-TSD-DS-29.280 | 9.8.0 | Published | Jun 12 | http://www.ccsa.org.cn/english/tc/files.php?docpath=/ITU-R/M.1457/M.1457-12/DS |
| ETSI | ETSI TS 129 280 | 9.8.0 | Published | Jan 12 | http://www.etsi.org/deliver/etsi_ts/129200_129299/129280/09.08.00_60/ |
| TTA | TTAT.3G-29.280(R9-9.2.0) | 9.2.0 | Approved | Jul 10 | http://www.tta.or.kr/data/ttasDown.jsp?where=14688&pk_num=TTAT.3G-29.280(R9-9.2.0) |
| TTC | TS-3GA-29.280(Rel9)v9.8.0 | 9.8.0 | Approved | Feb 12 | http://www.ttc.or.jp/j/document_list/free/3gpps2012/TS/TS-3GA-29.280(Rel9)v9.8.0.pdf |

Release 10

| | | | | | |
|------|-----------------------------|--------|-----------|--------|---|
| ATIS | ATIS.3GPP.29.280V1040-2014 | 10.4.0 | Approved | May 14 | https://www.atis.org/docstore/default.aspx |
| CCSA | CCSA-TSD-DS-29.280 | 10.3.0 | Published | Jun 12 | http://www.ccsa.org.cn/english/tc/files.php?docpath=/ITU-R/M.1457/M.1457-12/DS |
| ETSI | ETSI TS 129 280 | 10.4.0 | Published | Jul 12 | http://www.etsi.org/deliver/etsi_ts/129200_129299/129280/10.04.00_60/ |
| TTA | TTAT.3G-29.280(R10-10.3.0) | 10.3.0 | Approved | Aug 12 | http://www.tta.or.kr/data/ttasDown.jsp?where=14688&pk_num=TTAT.3G-29.280(R10-10.3.0) |
| TTC | TS-3GA-29.280(Rel10)v10.4.0 | 10.4.0 | Approved | Sep 12 | http://www.ttc.or.jp/j/document_list/free/3gpps2012/TS/TS-3GA-29.280(Rel10)v10.3.0.pdf |

Release 11

| | | | | | |
|------|-----------------------------|--------|-----------|--------|---|
| ATIS | ATIS.3GPP.29.280V1130-2014 | 11.3.0 | Approved | May 14 | https://www.atis.org/docstore/default.aspx |
| CCSA | CCSA-TSD-DS-29.280 | 11.6.0 | Published | Jun 14 | http://www.ccsa.org.cn/english/tc/files.php?docpath=/ITU-R/M.1457/M.1457-12/DS |
| ETSI | ETSI TS 129 280 | 11.3.0 | Published | Oct 12 | http://www.etsi.org/deliver/etsi_ts/129200_129299/129280/11.03.00_60/ |
| TTA | TTAT.3G-29.280(R11-11.3.0) | 11.3.0 | published | Aug 13 | http://www.tta.or.kr/data/ttasDown.jsp?where=14688&pk_num=TTAT.3G-29.280(R11-11.3.0) |
| TTC | TS-3GA-29.280(Rel11)v11.3.0 | 11.3.0 | Approved | Jun 13 | http://www.ttc.or.jp/j/document_list/free/3gpps2013/TS/TS-3GA-29.280(Rel11)v11.3.0.pdf |

5.1.2.12.159 TS 29.281**General Packet Radio System (GPRS) Tunnelling Protocol User Plane (GTPv1-U)**

This document defines the user plane of GTP used on: – the Gn and Gp interfaces of the General Packet Radio Service (GPRS); – the Iu, Gn and Gp interfaces of the UMTS system; – the S1-U, X2, S4, S5, S8 and S12 interfaces of the Evolved Packet System (EPS).

| SDO (2) | Document No. | Version | Status | Issued date | Location (1) |
|------------------|---------------------------|---------|-----------|-------------|---|
| Release 8 | | | | | |
| CCSA | CCSA-TSD-DS-29.281 | 8.5.0 | Published | Jun 12 | http://www.ccsa.org.cn/english/tc/files.php?docpath=/ITU-R/M.1457/M.1457-12/DS |
| ETSI | ETSI TS 129 281 | 8.5.0 | Published | Apr 10 | http://www.etsi.org/deliver/etsi_ts/129200_129299/129281/08.05.00_60/ |
| TTC | TS-3GA-29.281(Rel8)v8.5.0 | 8.5.0 | Approved | Jul 10 | http://www.ttc.or.jp/j/document_list/free/3gpps2010/TS/TS-3GA-29.281(Rel8)v8.5.0.pdf |
| Release 9 | | | | | |
| ATIS | ATIS.3GPP.29.281V930-2012 | 9.3.0 | Approved | Jul 12 | https://www.atis.org/docstore/default.aspx |
| CCSA | CCSA-TSD-DS-29.281 | 9.3.0 | Published | Jun 12 | http://www.ccsa.org.cn/english/tc/files.php?docpath=/ITU-R/M.1457/M.1457-12/DS |
| ETSI | ETSI TS 129 281 | 9.3.0 | Published | Jun 10 | http://www.etsi.org/deliver/etsi_ts/129200_129299/129281/09.03.00_60/ |
| TTA | TTAT.3G-29.281(R9-9.2.0) | 9.2.0 | Approved | Jul 10 | http://www.tta.or.kr/data/ttasDown.jsp?where=14688&pk_num=TTAT.3G-29.281(R9-9.2.0) |
| TTC | TS-3GA-29.281(Rel9)v9.3.0 | 9.3.0 | Approved | Oct 10 | http://www.ttc.or.jp/j/document_list/free/3gpps2010/TS/TS-3GA-29.281(Rel9)v9.3.0.pdf |

Release 10

| | | | | | |
|------|-----------------------------|--------|-----------|--------|---|
| ATIS | ATIS.3GPP.29.281V1030-2012 | 10.3.0 | Approved | Jul 12 | https://www.atis.org/docstore/default.aspx |
| CCSA | CCSA-TSD-DS-29.281 | 10.3.0 | Published | Jun 12 | http://www.ccsa.org.cn/english/tc/files.php?docpath=/ITU-R/M.1457/M.1457-12/DS |
| ETSI | ETSI TS 129 281 | 10.3.0 | Published | Oct 11 | http://www.etsi.org/deliver/etsi_ts/129200_129299/129281/10.03.00_60/ |
| TTA | TTAT.3G-29.281(R10-10.3.0) | 10.3.0 | Approved | Apr 12 | http://www.tta.or.kr/data/ttasDown.jsp?where=14688&pk_num=TTAT.3G-29.281(R10-10.3.0) |
| TTC | TS-3GA-29.281(Rel10)v10.3.0 | 10.3.0 | Approved | Dec 11 | http://www.ttc.or.jp/j/document_list/free/3gpps2011/TS/TS-3GA-29.281(Rel10)v10.3.0.pdf |

Release 11

| | | | | | |
|------|-----------------------------|--------|-----------|--------|---|
| ATIS | ATIS.3GPP.29.281V1160-2014 | 11.6.0 | Approved | May 14 | https://www.atis.org/docstore/default.aspx |
| CCSA | CCSA-TSD-DS-29.281 | 11.6.0 | Published | Jun 14 | http://www.ccsa.org.cn/english/tc/files.php?docpath=/ITU-R/M.1457/M.1457-12/DS |
| ETSI | ETSI TS 129 281 | 11.6.0 | Published | Apr 13 | http://www.etsi.org/deliver/etsi_ts/129200_129299/129281/11.06.00_60/ |
| TTA | TTAT.3G-29.281(R11-11.6.0) | 11.6.0 | published | Aug 13 | http://www.tta.or.kr/data/ttasDown.jsp?where=14688&pk_num=TTAT.3G-29.281(R11-11.6.0) |
| TTC | TS-3GA-29.281(Rel11)v11.6.0 | 11.6.0 | Approved | Jun 13 | http://www.ttc.or.jp/j/document_list/free/3gpps2013/TS/TS-3GA-29.281(Rel11)v11.6.0.pdf |

5.1.2.12.160 TS 29.282**Mobile IPv6 vendor specific option format and usage within 3GPP**

This document specifies the format and usage of the Mobile IPv6 Vendor Specific Option within the Third Generation Partnership Project.

| SDO (2) | Document No. | Version | Status | Issued date | Location (1) |
|-------------------|-----------------------------|---------|-----------|-------------|---|
| Release 8 | | | | | |
| TTC | TS-3GA-29.282(Rel8)v8.3.0 | 8.3.0 | Approved | Dec 12 | http://www.ttc.or.jp/j/document_list/free/3gpps2012/TS/TS-3GA-29.282(Rel8)v8.3.0.pdf |
| Release 9 | | | | | |
| TTC | TS-3GA-29.282(Rel9)v9.1.0 | 9.1.0 | Approved | Dec 12 | http://www.ttc.or.jp/j/document_list/free/3gpps2012/TS/TS-3GA-29.282(Rel9)v9.1.0.pdf |
| Release 10 | | | | | |
| TTC | TS-3GA-29.282(Rel10)v10.4.0 | 10.4.0 | Approved | Jun 13 | http://www.ttc.or.jp/j/document_list/free/3gpps2013/TS/TS-3GA-29.282(Rel10)v10.4.0.pdf |
| Release 11 | | | | | |
| ATIS | ATIS.3GPP.29.282V1110-2014 | 11.1.0 | Approved | May 14 | https://www.atis.org/docstore/default.aspx |
| TTA | TTAT.3G-29.282(R11-11.1.0) | 11.1.0 | published | Aug 13 | http://www.tta.or.kr/data/ttasDown.jsp?where=14688&pk_num=TTAT.3G-29.282(R11-11.1.0) |
| TTC | TS-3GA-29.282(Rel11)v11.1.0 | 11.1.0 | Approved | Jun 13 | http://www.ttc.or.jp/j/document_list/free/3gpps2013/TS/TS-3GA-29.282(Rel11)v11.1.0.pdf |

5.1.2.12.161 TS 29.292**Interworking between the IP Multimedia (IM) Core Network (CN) subsystem (IMS) and MSC Server for IMS Centralized Services (ICS)**

IMS Centralized Services (ICS) enable the delivery of IM CN subsystem based multimedia telephony and supplementary services as defined in 3GPP TS 24.173 to users regardless of the attached access network type; e.g. CS domain access or IP-CAN.

This document specifies the principles of interworking between the IM CN subsystem and CS domain in order to enable ICS for UEs using CS domain access. The document addresses the area of registration procedures interworking between the CS domain and IM CN subsystem, and the areas of control and user plane interworking between the IM CN subsystem and CS domain through an MSC Server enhanced for ICS and CS-MGW respectively. This includes the signalling procedures between the MSC Server and CS-MGW. For the specification of control plane interworking, the document defines the

protocol interworking between the 3GPP profile of SIP as described in 3GPP TS 24.229 and NAS signalling as described in 3GPP TS 24.008 required for the support of IM CN subsystem based multimedia telephony and supplementary services. The document addresses the area of supplementary service configuration interworking between the CS domain and IM CN subsystem. It is applicable to the MSC Server and CS-MGW.

| SDO (2) | Document No. | Version | Status | Issued date | Location (1) |
|-------------------|-----------------------------|---------|-----------|-------------|---|
| Release 8 | | | | | |
| CCSA | CCSA-TSD-DS-29.292 | 8.5.0 | Published | Jun 12 | http://www.ccsa.org.cn/english/tc/files.php?docpath=/ITU-R/M.1457/M.1457-12/DS |
| ETSI | ETSI TS 129 292 | 8.7.0 | Published | Apr 13 | http://www.etsi.org/deliver/etsi_ts/129200_129299/129292/08.07.00_60/ |
| TTC | TS-3GA-29.292(Rel8)v8.7.0 | 8.7.0 | Approved | Jun 13 | http://www.ttc.or.jp/jp/document_list/free/3gpps2013/TS/TS-3GA-29.292(Rel8)v8.7.0.pdf |
| Release 9 | | | | | |
| ATIS | ATIS.3GPP.29.292V930-2014 | 9.3.0 | Approved | May 14 | https://www.atis.org/docstore/default.aspx |
| CCSA | CCSA-TSD-DS-29.292 | 9.1.0 | Published | Jun 12 | http://www.ccsa.org.cn/english/tc/files.php?docpath=/ITU-R/M.1457/M.1457-12/DS |
| ETSI | ETSI TS 129 292 | 9.3.0 | Published | Apr 13 | http://www.etsi.org/deliver/etsi_ts/129200_129299/129292/09.03.00_60/ |
| TTA | TTAT.3G-29.292(R9-9.0.0) | 9.0.0 | Approved | Jul 10 | http://www.tta.or.kr/data/ttasDown.jsp?where=14688&pk_num=TTAT.3G-29.292(R9-9.0.0) |
| TTC | TS-3GA-29.292(Rel9)v9.3.0 | 9.3.0 | Approved | Jun 13 | http://www.ttc.or.jp/jp/document_list/free/3gpps2013/TS/TS-3GA-29.292(Rel9)v9.3.0.pdf |
| Release 10 | | | | | |
| ATIS | ATIS.3GPP.29.292V1050-2014 | 10.5.0 | Approved | May 14 | https://www.atis.org/docstore/default.aspx |
| CCSA | CCSA-TSD-DS-29.292 | 10.1.0 | Published | Jun 12 | http://www.ccsa.org.cn/english/tc/files.php?docpath=/ITU-R/M.1457/M.1457-12/DS |
| ETSI | ETSI TS 129 292 | 10.5.0 | Published | Apr 13 | http://www.etsi.org/deliver/etsi_ts/129200_129299/129292/10.05.00_60/ |
| TTA | TTAT.3G-29.292(R10-10.2.0) | 10.2.0 | Approved | Aug 12 | http://www.tta.or.kr/data/ttasDown.jsp?where=14688&pk_num=TTAT.3G-29.292(R10-10.2.0) |
| TTC | TS-3GA-29.292(Rel10)v10.5.0 | 10.5.0 | Approved | Jun 13 | http://www.ttc.or.jp/jp/document_list/free/3gpps2013/TS/TS-3GA-29.292(Rel10)v10.5.0.pdf |
| Release 11 | | | | | |
| ATIS | ATIS.3GPP.29.292V1150-2014 | 11.5.0 | Approved | May 14 | https://www.atis.org/docstore/default.aspx |
| CCSA | CCSA-TSD-DS-29.292 | 11.7.0 | Published | Jun 14 | http://www.ccsa.org.cn/english/tc/files.php?docpath=/ITU-R/M.1457/M.1457-12/DS |
| ETSI | ETSI TS 129 292 | 11.5.0 | Published | Apr 13 | http://www.etsi.org/deliver/etsi_ts/129200_129299/129292/11.05.00_60/ |
| TTA | TTAT.3G-29.292(R11-11.5.0) | 11.5.0 | published | Aug 13 | http://www.tta.or.kr/data/ttasDown.jsp?where=14688&pk_num=TTAT.3G-29.292(R11-11.5.0) |
| TTC | TS-3GA-29.292(Rel11)v11.5.0 | 11.5.0 | Approved | Jun 13 | http://www.ttc.or.jp/jp/document_list/free/3gpps2013/TS/TS-3GA-29.292(Rel11)v11.5.0.pdf |

5.1.2.12.162 TS 29.303

Domain Name System Procedures; Stage 3

This document describes Domain Name System (DNS) Procedures for the Evolved Packet System. This document covers the Evolved Packet Core gateway node selection using DNS (e.g. SGW and PGW nodes) excluding all User Equipment (UE) initiated DNS-based discovery and selection procedures.

| SDO (2) | Document No. | Version | Status | Issued date | Location (1) |
|------------------|---------------------------|---------|----------|-------------|---|
| Release 8 | | | | | |
| TTC | TS-3GA-29.303(Rel8)v8.4.0 | 8.4.0 | Approved | Jul 10 | http://www.ttc.or.jp/jp/document_list/free/3gpps2010/TS/TS-3GA-29.303(Rel8)v8.4.0.pdf |
| Release 9 | | | | | |
| TTC | TS-3GA-29.303(Rel9)v9.4.0 | 9.4.0 | Approved | Aug 11 | http://www.ttc.or.jp/jp/document_list/free/3gpps2011/TS/TS-3GA-29.303(Rel9)v9.4.0.pdf |

Release 10

| | | | | | |
|-----|-----------------------------|--------|----------|--------|---|
| TTC | TS-3GA-29.303(Rel10)v10.4.0 | 10.4.0 | Approved | Dec 12 | http://www.ttc.or.jp/j/document_list/free/3gpps2012/TS/TS-3GA-29.303(Rel10)v10.4.0.pdf |
|-----|-----------------------------|--------|----------|--------|---|

Release 11

| | | | | | |
|------|-----------------------------|--------|-----------|--------|---|
| ATIS | ATIS.3GPP.29.303V1120-2014 | 11.2.0 | Approved | May 14 | https://www.atis.org/docstore/default.aspx |
| TTA | TTAT.3G-29.303(R11-11.2.0) | 11.2.0 | published | Aug 13 | http://www.tta.or.kr/data/ttasDown.jsp?where=14688&pk_num=TTAT.3G-29.303(R11-11.2.0) |
| TTC | TS-3GA-29.303(Rel11)v11.2.0 | 11.2.0 | Approved | Jun 13 | http://www.ttc.or.jp/j/document_list/free/3gpps2013/TS/TS-3GA-29.303(Rel11)v11.2.0.pdf |

5.1.2.12.163 TS 29.305**InterWorking Function (IWF) between MAP based and Diameter based interfaces**

This document is to specify the InterWorking Functions (IWF):

- between MAP-based Gr, Gf interfaces and Diameter-based S6a, S6d, S13, S13a interfaces;
- between the S6a interface with SMS subscription data on the MME side and the S6a interface without SMS subscription data plus the MAP-based D interface for SMS subscription on the HSS side;
- between the S6a interface with SMS subscription data on the MME side and the S6a interface without SMS subscription data plus the MAP-based D interface for SMS subscription on the HSS side;
- between MAP-based C for SMS interface and Diameter-based S6c interface;
- between MAP-based E for SMS interface and Diameter-based SGd interface.

| SDO (2) | Document No. | Version | Status | Issued date | Location (1) |
|-------------------|-----------------------------|---------|-----------|-------------|---|
| Release 8 | | | | | |
| TTC | TS-3GA-29.305(Rel8)v8.4.0 | 8.4.0 | Approved | Jun 13 | http://www.ttc.or.jp/j/document_list/free/3gpps2013/TS/TS-3GA-29.305(Rel8)v8.4.0.pdf |
| Release 9 | | | | | |
| TTC | TS-3GA-29.305(Rel9)v9.2.0 | 9.2.0 | Approved | Jun 13 | http://www.ttc.or.jp/j/document_list/free/3gpps2013/TS/TS-3GA-29.305(Rel9)v9.2.0.pdf |
| Release 10 | | | | | |
| TTC | TS-3GA-29.305(Rel10)v10.3.0 | 10.3.0 | Approved | Jun 13 | http://www.ttc.or.jp/j/document_list/free/3gpps2013/TS/TS-3GA-29.305(Rel10)v10.3.0.pdf |
| Release 11 | | | | | |
| ATIS | ATIS.3GPP.29.305V1140-2014 | 11.4.0 | Approved | May 14 | https://www.atis.org/docstore/default.aspx |
| TTA | TTAT.3G-29.305(R11-11.4.0) | 11.4.0 | published | Aug 13 | http://www.tta.or.kr/data/ttasDown.jsp?where=14688&pk_num=TTAT.3G-29.305(R11-11.4.0) |
| TTC | TS-3GA-29.305(Rel11)v11.4.0 | 11.4.0 | Approved | Jun 13 | http://www.ttc.or.jp/j/document_list/free/3gpps2013/TS/TS-3GA-29.305(Rel11)v11.4.0.pdf |

5.1.2.12.164 TS 29.311**Service level interworking for Messaging Services**

This document specifies the protocol details of service level interworking between Instant Message (OMA-TS-SIMPLE_IM) or Chat Session (OMA-TS-CPM_Conv_Funct) using the 3GPP IP Multimedia CN subsystem and the Short Message Service over both legacy CS/PS network as specified in the 3GPP TS 23.040 and a generic IP Connectivity Access Network (IP-CAN) as specified in the 3GPP TS 24.341. These include:

- Procedures to implement service level interworking between IM and SM;
- Procedures to implement service level interworking between CPM and SM;
- Enhancement of the IP-SM-GW as an Application Server to support service selection, authorization and mapping between IM or CPM and SM protocols;
- Interaction between service level interworking and transport layer interworking.

| SDO (2) | Document No. | Version | Status | Issued date | Location (1) |
|-------------------|-----------------------------|---------|-----------|-------------|---|
| Release 8 | | | | | |
| CCSA | CCSA-TSD-DS-29.311 | 8.2.0 | Published | Jun 12 | http://www.ccsa.org.cn/english/tc/files.php?docpath=/ITU-R/M.1457/M.1457-12/DS |
| ETSI | ETSI TS 129 311 | 8.2.0 | Published | Oct 11 | http://www.etsi.org/deliver/etsi_ts/129300_129399/129311/08.02.00_60/ |
| TTC | TS-3GA-29.311(Rel8)v8.2.0 | 8.2.0 | Approved | Dec 11 | http://www.ttc.or.jp/jp/document_list/free/3gpps2011/TS/TS-3GA-29.311(Rel8)v8.2.0.pdf |
| Release 9 | | | | | |
| ATIS | ATIS.3GPP.29.311V910-2012 | 9.1.0 | Approved | Jul 12 | https://www.atis.org/docstore/default.aspx |
| CCSA | CCSA-TSD-DS-29.311 | 9.1.0 | Published | Jun 12 | http://www.ccsa.org.cn/english/tc/files.php?docpath=/ITU-R/M.1457/M.1457-12/DS |
| ETSI | ETSI TS 129 311 | 9.1.0 | Published | Oct 11 | http://www.etsi.org/deliver/etsi_ts/129300_129399/129311/09.01.00_60/ |
| TTA | TTAT.3G-29.311(R9-9.0.0) | 9.0.0 | Approved | Jul 10 | http://www.tta.or.kr/data/ttasDown.jsp?where=14688&pk_num=TTAT.3G-29.311(R9-9.0.0) |
| TTC | TS-3GA-29.311(Rel9)v9.1.0 | 9.1.0 | Approved | Dec 11 | http://www.ttc.or.jp/jp/document_list/free/3gpps2011/TS/TS-3GA-29.311(Rel9)v9.1.0.pdf |
| Release 10 | | | | | |
| ATIS | ATIS.3GPP.29.311V1040-2012 | 10.4.0 | Approved | Jul 12 | https://www.atis.org/docstore/default.aspx |
| CCSA | CCSA-TSD-DS-29.311 | 10.4.0 | Published | Jun 12 | http://www.ccsa.org.cn/english/tc/files.php?docpath=/ITU-R/M.1457/M.1457-12/DS |
| ETSI | ETSI TS 129 311 | 10.4.0 | Published | Oct 11 | http://www.etsi.org/deliver/etsi_ts/129300_129399/129311/10.04.00_60/ |
| TTA | TTAT.3G-29.311(R10-10.4.0) | 10.4.0 | Approved | Apr 12 | http://www.tta.or.kr/data/ttasDown.jsp?where=14688&pk_num=TTAT.3G-29.311(R10-10.4.0) |
| TTC | TS-3GA-29.311(Rel10)v10.4.0 | 10.4.0 | Approved | Dec 11 | http://www.ttc.or.jp/jp/document_list/free/3gpps2011/TS/TS-3GA-29.311(Rel10)v10.4.0.pdf |
| Release 11 | | | | | |
| ATIS | ATIS.3GPP.29.311V1100-2014 | 11.0.0 | Approved | May 14 | https://www.atis.org/docstore/default.aspx |
| CCSA | CCSA-TSD-DS-29.311 | 11.1.0 | Published | Jun 14 | http://www.ccsa.org.cn/english/tc/files.php?docpath=/ITU-R/M.1457/M.1457-12/DS |
| ETSI | ETSI TS 129 311 | 11.0.0 | Published | Oct 12 | http://www.etsi.org/deliver/etsi_ts/129300_129399/129311/11.00.00_60/ |
| TTA | TTAT.3G-29.311(R11-11.0.0) | 11.0.0 | published | Aug 13 | http://www.tta.or.kr/data/ttasDown.jsp?where=14688&pk_num=TTAT.3G-29.311(R11-11.0.0) |
| TTC | TS-3GA-29.311(Rel11)v11.0.0 | 11.0.0 | Approved | Jun 13 | http://www.ttc.or.jp/jp/document_list/free/3gpps2013/TS/TS-3GA-29.311(Rel11)v11.0.0.pdf |

5.1.2.12.165 TS 29.328

IP Multimedia (IM) Subsystem Sh interface; Signalling flows and message contents

This document specifies:

- The interactions between the HSS (Home Subscriber Server) and the SIP AS (Application Server) and between the HSS and the OSA SCS (Service Capability Server). This interface is referred to as the Sh reference point.
- The interactions between the SIP AS and the SLF (Subscription Locator Function) and between the OSA SCS and the SLF. This interface is referred to as the Dh reference point.

The IP Multimedia (IM) Core Network Subsystem stage 2 is specified in 3GPP TS 23.228 and the signalling flows for the IP multimedia call control based on SIP and SDP are specified in 3GPP TS 24.228.

The IP Multimedia (IM) Session Handling with the IP Multimedia (IM) call model is specified in 3GPP TS 23.218. This document addresses the signalling flows and message contents for the protocol at the Sh and Dh interface and also addresses how the functionality of Ph interface is accomplished.

The Presence Service Stage 2 description (architecture and functional solution) is specified in 3GPP TS 23.141.

| SDO (2) | Document No. | Version | Status | Issued date | Location (1) |
|-------------------|-----------------------------|---------|-----------|-------------|---|
| Release 5 | | | | | |
| CCSA | CCSA-TSD-DS-29.328 | 5.16.0 | Published | Jun 12 | http://www.ccsa.org.cn/english/tc/files.php?docpath=/ITU-R/M.1457/M.1457-12/DS |
| ETSI | ETSI TS 129 328 | 5.16.0 | Published | Oct 09 | http://www.etsi.org/deliver/etsi_ts/129300_129399/129328/05.16.00_60/ |
| TTC | TS-3GA-29.328(Rel5)v5.16.0 | 5.16.0 | Approved | Dec 09 | http://www.ttc.or.jp/j/document_list/free/3gpps2009/TS/TS-3GA-29.328(Rel5)v5.16.0.pdf |
| Release 6 | | | | | |
| CCSA | CCSA-TSD-DS-29.328 | 6.15.0 | Published | Jun 12 | http://www.ccsa.org.cn/english/tc/files.php?docpath=/ITU-R/M.1457/M.1457-12/DS |
| ETSI | ETSI TS 129 328 | 6.15.0 | Published | Oct 09 | http://www.etsi.org/deliver/etsi_ts/129300_129399/129328/06.15.00_60/ |
| TTC | TS-3GA-29.328(Rel6)v6.15.0 | 6.15.0 | Approved | Dec 09 | http://www.ttc.or.jp/j/document_list/free/3gpps2009/TS/TS-3GA-29.328(Rel6)v6.15.0.pdf |
| Release 7 | | | | | |
| CCSA | CCSA-TSD-DS-29.328 | 7.13.0 | Published | Jun 12 | http://www.ccsa.org.cn/english/tc/files.php?docpath=/ITU-R/M.1457/M.1457-12/DS |
| ETSI | ETSI TS 129 328 | 7.13.0 | Published | Oct 10 | http://www.etsi.org/deliver/etsi_ts/129300_129399/129328/07.13.00_60/ |
| TTC | TS-3GA-29.328(Rel7)v7.13.0 | 7.13.0 | Approved | Dec 10 | http://www.ttc.or.jp/j/document_list/free/3gpps2010/TS/TS-3GA-29.328(Rel7)v7.13.0.pdf |
| Release 8 | | | | | |
| CCSA | CCSA-TSD-DS-29.328 | 8.14.0 | Published | Jun 12 | http://www.ccsa.org.cn/english/tc/files.php?docpath=/ITU-R/M.1457/M.1457-12/DS |
| ETSI | ETSI TS 129 328 | 8.15.0 | Published | Apr 13 | http://www.etsi.org/deliver/etsi_ts/129300_129399/129328/08.15.00_60/ |
| TTC | TS-3GA-29.328(Rel8)v8.15.0 | 8.15.0 | Approved | Jun 13 | http://www.ttc.or.jp/j/document_list/free/3gpps2013/TS/TS-3GA-29.328(Rel8)v8.15.0.pdf |
| Release 9 | | | | | |
| ATIS | ATIS.3GPP.29.328V9120-2014 | 9.12.0 | Approved | May 14 | https://www.atis.org/docstore/default.aspx |
| CCSA | CCSA-TSD-DS-29.328 | 9.7.0 | Published | Jun 12 | http://www.ccsa.org.cn/english/tc/files.php?docpath=/ITU-R/M.1457/M.1457-12/DS |
| ETSI | ETSI TS 129 328 | 9.12.0 | Published | Apr 13 | http://www.etsi.org/deliver/etsi_ts/129300_129399/129328/09.12.00_60/ |
| TTA | TTAT.3G-29.328(R9-9.1.1) | 9.1.1 | Approved | Jul 10 | http://www.tta.or.kr/data/ttasDown.jsp?where=14688&pk_num=TTAT.3G-29.328(R9-9.1.1) |
| TTC | TS-3GA-29.328(Rel9)v9.12.0 | 9.12.0 | Approved | Jun 13 | http://www.ttc.or.jp/jp/document_list/free/3gpps2013/TS/TS-3GA-29.328(Rel9)v9.12.0.pdf |
| Release 10 | | | | | |
| ATIS | ATIS.3GPP.29.328V1090-2014 | 10.9.0 | Approved | May 14 | https://www.atis.org/docstore/default.aspx |
| CCSA | CCSA-TSD-DS-29.328 | 10.4.0 | Published | Jun 12 | http://www.ccsa.org.cn/english/tc/files.php?docpath=/ITU-R/M.1457/M.1457-12/DS |
| ETSI | ETSI TS 129 328 | 10.9.0 | Published | Apr 13 | http://www.etsi.org/deliver/etsi_ts/129300_129399/129328/10.09.00_60/ |
| TTA | TTAT.3G-29.328(R10-10.5.0) | 10.5.0 | Approved | Aug 12 | http://www.tta.or.kr/data/ttasDown.jsp?where=14688&pk_num=TTAT.3G-29.328(R10-10.5.0) |
| TTC | TS-3GA-29.328(Rel10)v10.9.0 | 10.9.0 | Approved | Jun 13 | http://www.ttc.or.jp/jp/document_list/free/3gpps2013/TS/TS-3GA-29.328(Rel10)v10.9.0.pdf |

Release 11

| | | | | | |
|------|-----------------------------|---------|-----------|--------|---|
| ATIS | ATIS.3GPP.29.328V1170-2014 | 11.7.0 | Approved | May 14 | https://www.atis.org/docstore/default.aspx |
| CCSA | CCSA-TSD-DS-29.328 | 11.11.0 | Published | Jun 14 | http://www.ccsa.org.cn/english/tc/files.php?docpath=/ITU-R/M.1457/M.1457-12/DS |
| ETSI | ETSI TS 129 328 | 11.7.0 | Published | Apr 13 | http://www.etsi.org/deliver/etsi_ts/129300_129399/129328/11.07.00_60/ |
| TTA | TTAT.3G-29.328(R11-11.7.0) | 11.7.0 | published | Aug 13 | http://www.tta.or.kr/data/ttasDown.jsp?where=14688&pk_num=TTAT.3G-29.328(R11-11.7.0) |
| TTC | TS-3GA-29.328(Rel11)v11.7.0 | 11.7.0 | Approved | Jun 13 | http://www.ttc.or.jp/jp/document_list/free/3gpps2013/TS/TS-3GA-29.328(Rel11)v11.7.0.pdf |

5.1.2.12.166 TS 29.329**Sh interface based on the Diameter protocol; Protocol details**

This document defines a transport protocol for use in the IP multimedia (IM) Core Network (CN) subsystem based on Diameter and is applicable to:

- The Sh interface between an AS and the HSS.
- The Sh interface between an SCS and the HSS. Whenever it is possible this document specifies the requirements for this protocol by reference to specifications produced by the IETF within the scope of Diameter. Where this is not possible, extensions to Diameter are defined within this document.

| SDO (2) | Document No. | Version | Status | Issued date | Location (1) |
|------------------|----------------------------|---------|-----------|-------------|---|
| Release 5 | | | | | |
| CCSA | CCSA-TSD-DS-29.329 | 5.11.0 | Published | Jun 12 | http://www.ccsa.org.cn/english/tc/files.php?docpath=/ITU-R/M.1457/M.1457-12/DS |
| ETSI | ETSI TS 129 329 | 5.11.0 | Published | Oct 05 | http://www.etsi.org/deliver/etsi_ts/129300_129399/129329/05.11.00_60/ |
| TTC | TS-3GA-29.329(Rel5)v5.11.0 | 5.11.0 | Approved | Nov 05 | http://www.ttc.or.jp/j/document_list/free/TS/TS-3GA-29.329(Rel5)v5.11.0.pdf |
| Release 6 | | | | | |
| CCSA | CCSA-TSD-DS-29.329 | 6.7.0 | Published | Jun 12 | http://www.ccsa.org.cn/english/tc/files.php?docpath=/ITU-R/M.1457/M.1457-12/DS |
| ETSI | ETSI TS 129 329 | 6.7.0 | Published | Oct 06 | http://www.etsi.org/deliver/etsi_ts/129300_129399/129329/06.07.00_60/ |
| TTC | TS-3GA-29.329(Rel6)v6.7.0 | 6.7.0 | Approved | Mar 07 | http://www.ttc.or.jp/j/document_list/free/TS/TS-3GA-29.329(Rel6)v6.7.0.pdf |
| Release 7 | | | | | |
| CCSA | CCSA-TSD-DS-29.329 | 7.8.0 | Published | Jun 12 | http://www.ccsa.org.cn/english/tc/files.php?docpath=/ITU-R/M.1457/M.1457-12/DS |
| ETSI | ETSI TS 129 329 | 7.8.0 | Published | Apr 09 | http://www.etsi.org/deliver/etsi_ts/129300_129399/129329/07.08.00_60/ |
| TTC | TS-3GA-29.329(Rel7)v7.8.0 | 7.8.0 | Approved | Jul 09 | http://www.ttc.or.jp/j/document_list/free/3gpps2009/TS/TS-3GA-29.329(Rel7)v7.8.0.pdf |
| Release 8 | | | | | |
| CCSA | CCSA-TSD-DS-29.329 | 8.9.0 | Published | Jun 12 | http://www.ccsa.org.cn/english/tc/files.php?docpath=/ITU-R/M.1457/M.1457-12/DS |
| ETSI | ETSI TS 129 329 | 8.9.0 | Published | Jan 12 | http://www.etsi.org/deliver/etsi_ts/129300_129399/129329/08.09.00_60/ |
| TTC | TS-3GA-29.329(Rel8)v8.9.0 | 8.9.0 | Approved | Feb 12 | http://www.ttc.or.jp/j/document_list/free/3gpps2012/TS/TS-3GA-29.329(Rel8)v8.9.0.pdf |
| Release 9 | | | | | |
| ATIS | ATIS.3GPP.29.329V950-2014 | 9.5.0 | Approved | May 14 | https://www.atis.org/docstore/default.aspx |
| CCSA | CCSA-TSD-DS-29.329 | 9.5.0 | Published | Jun 12 | http://www.ccsa.org.cn/english/tc/files.php?docpath=/ITU-R/M.1457/M.1457-12/DS |
| ETSI | ETSI TS 129 329 | 9.5.0 | Published | Jan 12 | http://www.etsi.org/deliver/etsi_ts/129300_129399/129329/09.05.00_60/ |
| TTA | TTAT.3G-29.329(R9-9.1.0) | 9.1.0 | Approved | Jul 10 | http://www.tta.or.kr/data/ttasDown.jsp?where=14688&pk_num=TTAT.3G-29.329(R9-9.1.0) |
| TTC | TS-3GA-29.329(Rel9)v9.5.0 | 9.5.0 | Approved | Feb 12 | http://www.ttc.or.jp/j/document_list/free/3gpps2012/TS/TS-3GA-29.329(Rel9)v9.5.0.pdf |

Release 10

| | | | | | |
|------|-----------------------------|--------|-----------|--------|---|
| ATIS | ATIS.3GPP.29.329V1050-2014 | 10.5.0 | Approved | May 14 | https://www.atis.org/docstore/default.aspx |
| CCSA | CCSA-TSD-DS-29.329 | 10.4.0 | Published | Jun 12 | http://www.ccsa.org.cn/english/tc/files.php?docpath=/ITU-R/M.1457/M.1457-12/DS |
| ETSI | ETSI TS 129 329 | 10.5.0 | Published | Apr 13 | http://www.etsi.org/deliver/etsi_ts/129300_129399/129329/10.05.00_60/ |
| TTA | TTAT.3G-29.329(R10-10.4.0) | 10.4.0 | Approved | Aug 12 | http://www.tta.or.kr/data/ttasDown.jsp?where=14688&pk_num=TTAT.3G-29.329(R10-10.4.0) |
| TTC | TS-3GA-29.329(Rel10)v10.5.0 | 10.5.0 | Approved | Jun 13 | http://www.ttc.or.jp/j/document_list/free/3gpps2013/TS/TS-3GA-29.329(Rel10)v10.5.0.pdf |

Release 11

| | | | | | |
|------|-----------------------------|--------|-----------|--------|---|
| ATIS | ATIS.3GPP.29.329V1160-2014 | 11.6.0 | Approved | May 14 | https://www.atis.org/docstore/default.aspx |
| CCSA | CCSA-TSD-DS-29.329 | 11.7.0 | Published | Jun 14 | http://www.ccsa.org.cn/english/tc/files.php?docpath=/ITU-R/M.1457/M.1457-12/DS |
| ETSI | ETSI TS 129 329 | 11.6.0 | Published | Apr 13 | http://www.etsi.org/deliver/etsi_ts/129300_129399/129329/11.06.00_60/ |
| TTA | TTAT.3G-29.329(R11-11.6.0) | 11.6.0 | published | Aug 13 | http://www.tta.or.kr/data/ttasDown.jsp?where=14688&pk_num=TTAT.3G-29.329(R11-11.6.0) |
| TTC | TS-3GA-29.329(Rel11)v11.6.0 | 11.6.0 | Approved | Jun 13 | http://www.ttc.or.jp/jp/document_list/free/3gpps2013/TS/TS-3GA-29.329(Rel11)v11.6.0.pdf |

5.1.2.12.167 TS 29.332**Media Gateway Control Function (MGCF) – IM Media Gateway; Mn interface**

This document describes the protocol to be used on the Media Gateway Control Function (MGCF) – IM Media Gateway (IM-MGW) interface. This interface provides the Media Gateway Control for interworking between the IP Multimedia Subsystem (IMS) and CS domain (ISUP, BICC and SIP-I). The basis for this protocol is the H.248 protocol. The IMS architecture is described in 3GPP TS 23.228.

The interaction of the MGCF-IM MGW interface signalling procedures in relation to the SIP, and BICC/ISUP signalling at the MGCF are described in 3GPP TS 29.163.

The interaction of the MGCF-IM MGW interface signalling procedures in relation to the IMS SIP and SIP-I on Nc at the MGCF are described in 3GPP TS 29.235. This specification describes the application of H.248 on the Mn interface. Required extensions use the H.248 standard extension mechanism. In addition certain aspects of the base protocol H.248 are not needed for this interface and thus excluded by this profile.

In addition this profile provides support for PSTN/ISDN Emulation as required by ETSI TISPAN. The main body of the specification provides an introduction to the use of the profile for the Mn interface and introduces any specific functionality (e.g. new packages) associated with the Mn.

| SDO (2) | Document No. | Version | Status | Issued date | Location (1) |
|------------------|----------------------------|---------|-----------|-------------|---|
| Release 6 | | | | | |
| CCSA | CCSA-TSD-DS-29.332 | 6.14.0 | Published | Jun 12 | http://www.ccsa.org.cn/english/tc/files.php?docpath=/ITU-R/M.1457/M.1457-12/DS |
| ETSI | ETSI TS 129 332 | 6.14.0 | Published | Jan 10 | http://www.etsi.org/deliver/etsi_ts/129300_129399/129332/06.14.00_60/ |
| TTC | TS-3GA-29.332(Rel6)v6.14.0 | 6.14.0 | Approved | Apr 10 | http://www.ttc.or.jp/j/document_list/free/3gpps2010/TS/TS-3GA-29.332(Rel6)v6.14.0.pdf |
| Release 7 | | | | | |
| CCSA | CCSA-TSD-DS-29.332 | 7.12.0 | Published | Jun 12 | http://www.ccsa.org.cn/english/tc/files.php?docpath=/ITU-R/M.1457/M.1457-12/DS |
| ETSI | ETSI TS 129 332 | 7.12.0 | Published | Jan 10 | http://www.etsi.org/deliver/etsi_ts/129300_129399/129332/07.12.00_60/ |
| TTC | TS-3GA-29.332(Rel7)v7.12.0 | 7.12.0 | Approved | Apr 10 | http://www.ttc.or.jp/j/document_list/free/3gpps2010/TS/TS-3GA-29.332(Rel7)v7.12.0.pdf |
| Release 8 | | | | | |
| CCSA | CCSA-TSD-DS-29.332 | 8.10.0 | Published | Jun 12 | http://www.ccsa.org.cn/english/tc/files.php?docpath=/ITU-R/M.1457/M.1457-12/DS |
| ETSI | ETSI TS 129 332 | 8.12.0 | Published | Apr 13 | http://www.etsi.org/deliver/etsi_ts/129300_129399/129332/08.12.00_60/ |
| TTC | TS-3GA-29.332(Rel8)v8.12.0 | 8.12.0 | Approved | Jun 13 | http://www.ttc.or.jp/j/document_list/free/3gpps2013/TS/TS-3GA-29.332(Rel8)v8.12.0.pdf |

Release 9

| | | | | | |
|------|---------------------------|-------|-----------|--------|---|
| ATIS | ATIS.3GPP.29.332V950-2014 | 9.5.0 | Approved | May 14 | https://www.atis.org/docstore/default.aspx |
| CCSA | CCSA-TSD-DS-29.332 | 9.3.0 | Published | Jun 12 | http://www.ccsa.org.cn/english/tc/files.php?docpath=/ITU-R/M.1457/M.1457-12/DS |
| ETSI | ETSI TS 129 332 | 9.5.0 | Published | Apr 13 | http://www.etsi.org/deliver/etsi_ts/129300_129399/129332/09.05.00_60/ |
| TTA | TTAT.3G-29.332(R9-9.1.0) | 9.1.0 | Approved | Jul 10 | http://www.tta.or.kr/data/ttasDown.jsp?where=14688&pk_num=TTAT.3G-29.332(R9-9.1.0) |
| TTC | TS-3GA-29.332(Rel9)v9.5.0 | 9.5.0 | Approved | Jun 13 | http://www.ttc.or.jp/j/document_list/free/3gpps2013/TS/TS-3GA-29.332(Rel9)v9.5.0.pdf |

Release 10

| | | | | | |
|------|-----------------------------|--------|-----------|--------|---|
| ATIS | ATIS.3GPP.29.332V1070-2014 | 10.7.0 | Approved | May 14 | https://www.atis.org/docstore/default.aspx |
| CCSA | CCSA-TSD-DS-29.332 | 10.3.0 | Published | Jun 12 | http://www.ccsa.org.cn/english/tc/files.php?docpath=/ITU-R/M.1457/M.1457-12/DS |
| ETSI | ETSI TS 129 332 | 10.7.0 | Published | Apr 13 | http://www.etsi.org/deliver/etsi_ts/129300_129399/129332/10.07.00_60/ |
| TTA | TTAT.3G-29.332(R10-10.3.0) | 10.3.0 | Approved | Aug 12 | http://www.tta.or.kr/data/ttasDown.jsp?where=14688&pk_num=TTAT.3G-29.332(R10-10.3.0) |
| TTC | TS-3GA-29.332(Rel10)v10.7.0 | 10.7.0 | Approved | Jun 13 | http://www.ttc.or.jp/jp/document_list/free/3gpps2013/TS/TS-3GA-29.332(Rel10)v10.7.0.pdf |

Release 11

| | | | | | |
|------|-----------------------------|--------|-----------|--------|---|
| ATIS | ATIS.3GPP.29.332V1120-2014 | 11.2.0 | Approved | May 14 | https://www.atis.org/docstore/default.aspx |
| CCSA | CCSA-TSD-DS-29.332 | 11.3.0 | Published | Jun 14 | http://www.ccsa.org.cn/english/tc/files.php?docpath=/ITU-R/M.1457/M.1457-12/DS |
| ETSI | ETSI TS 129 332 | 11.2.0 | Published | Apr 13 | http://www.etsi.org/deliver/etsi_ts/129300_129399/129332/11.02.00_60/ |
| TTA | TTAT.3G-29.332(R11-11.2.0) | 11.2.0 | published | Aug 13 | http://www.tta.or.kr/data/ttasDown.jsp?where=14688&pk_num=TTAT.3G-29.332(R11-11.2.0) |
| TTC | TS-3GA-29.332(Rel11)v11.2.0 | 11.2.0 | Approved | Jun 13 | http://www.ttc.or.jp/jp/document_list/free/3gpps2013/TS/TS-3GA-29.332(Rel11)v11.2.0.pdf |

5.1.2.12.168 TS 29.333**Multimedia Resource Function Controller (MRFC) – Multimedia Resource Function Processor (MRFP) Mp interface; Stage 3**

This document describes the protocol to be used on the Multimedia Resource Function Controller (MRFC) – Multimedia Resource Function Processor (MRFP) interface (Mp interface). The IMS architecture is described in 3GPP TS 23.228, the functional requirements are described in 3G TS 23.333. This specification defines a profile of the Gateway Control Protocol (H.248.1) for controlling Multimedia Resource Function Processor supporting in-band user interaction, conferencing and transcoding for multimedia-services.

| SDO (2) | Document No. | Version | Status | Issued date | Location (1) |
|------------------|---------------------------|---------|-----------|-------------|---|
| Release 7 | | | | | |
| CCSA | CCSA-TSD-DS-29.333 | 7.5.0 | Published | Jun 12 | http://www.ccsa.org.cn/english/tc/files.php?docpath=/ITU-R/M.1457/M.1457-12/DS |
| ETSI | ETSI TS 129 333 | 7.5.0 | Published | Apr 09 | http://www.etsi.org/deliver/etsi_ts/129300_129399/129333/07.05.00_60/ |
| TTC | TS-3GA-29.333(Rel7)v7.5.0 | 7.5.0 | Approved | Jul 09 | http://www.ttc.or.jp/j/document_list/free/3gpps2009/TS/TS-3GA-29.333(Rel7)v7.5.0.pdf |
| Release 8 | | | | | |
| CCSA | CCSA-TSD-DS-29.333 | 8.5.0 | Published | Jun 12 | http://www.ccsa.org.cn/english/tc/files.php?docpath=/ITU-R/M.1457/M.1457-12/DS |
| ETSI | ETSI TS 129 333 | 8.7.0 | Published | Apr 13 | http://www.etsi.org/deliver/etsi_ts/129300_129399/129333/08.07.00_60/ |
| TTC | TS-3GA-29.333(Rel8)v8.7.0 | 8.7.0 | Approved | Jun 13 | http://www.ttc.or.jp/j/document_list/free/3gpps2013/TS/TS-3GA-29.333(Rel8)v8.7.0.pdf |
| Release 9 | | | | | |
| ATIS | ATIS.3GPP.29.333V930-2014 | 9.3.0 | Approved | May 14 | https://www.atis.org/docstore/default.aspx |
| CCSA | CCSA-TSD-DS-29.333 | 9.1.0 | Published | Jun 12 | http://www.ccsa.org.cn/english/tc/files.php?docpath=/ITU-R/M.1457/M.1457-12/DS |
| ETSI | ETSI TS 129 333 | 9.3.0 | Published | Apr 13 | http://www.etsi.org/deliver/etsi_ts/129300_129399/129333/09.03.00_60/ |
| TTA | TTAT.3G-29.333(R9-9.0.0) | 9.0.0 | Approved | Jul 10 | http://www.tta.or.kr/data/ttasDown.jsp?where=14688&pk_num=TTAT.3G-29.333(R9-9.0.0) |
| TTC | TS-3GA-29.333(Rel9)v9.3.0 | 9.3.0 | Approved | Jun 13 | http://www.ttc.or.jp/j/document_list/free/3gpps2013/TS/TS-3GA-29.333(Rel9)v9.3.0.pdf |

Release 10

| | | | | | |
|------|-----------------------------|--------|-----------|--------|---|
| ATIS | ATIS.3GPP.29.333V1060-2014 | 10.6.0 | Approved | May 14 | https://www.atis.org/docstore/default.aspx |
| CCSA | CCSA-TSD-DS-29.333 | 10.2.0 | Published | Jun 12 | http://www.ccsa.org.cn/english/tc/files.php?docpath=/ITU-R/M.1457/M.1457-12/DS |
| ETSI | ETSI TS 129 333 | 10.6.0 | Published | Apr 13 | http://www.etsi.org/deliver/etsi_ts/129300_129399/129333/10.06.00_60/ |
| TTA | TTAT.3G-29.333(R10-10.3.0) | 10.3.0 | Approved | Aug 12 | http://www.tta.or.kr/data/ttasDown.jsp?where=14688&pk_num=TTAT.3G-29.333(R10-10.3.0) |
| TTC | TS-3GA-29.333(Rel10)v10.6.0 | 10.6.0 | Approved | Jun 13 | http://www.ttc.or.jp/jp/document_list/free/3gpps2013/TS/TS-3GA-29.333(Rel10)v10.6.0.pdf |

Release 11

| | | | | | |
|------|-----------------------------|--------|-----------|--------|---|
| ATIS | ATIS.3GPP.29.333V1120-2014 | 11.2.0 | Approved | May 14 | https://www.atis.org/docstore/default.aspx |
| CCSA | CCSA-TSD-DS-29.333 | 11.3.0 | Published | Jun 14 | http://www.ccsa.org.cn/english/tc/files.php?docpath=/ITU-R/M.1457/M.1457-12/DS |
| ETSI | ETSI TS 129 333 | 11.2.0 | Published | Apr 13 | http://www.etsi.org/deliver/etsi_ts/129300_129399/129333/11.02.00_60/ |
| TTA | TTAT.3G-29.333(R11-11.2.0) | 11.2.0 | published | Aug 13 | http://www.tta.or.kr/data/ttasDown.jsp?where=14688&pk_num=TTAT.3G-29.333(R11-11.2.0) |
| TTC | TS-3GA-29.333(Rel11)v11.2.0 | 11.2.0 | Approved | Jun 13 | http://www.ttc.or.jp/jp/document_list/free/3gpps2013/TS/TS-3GA-29.333(Rel11)v11.2.0.pdf |

5.1.2.12.169 TS 29.334**IMS Application Level Gateway (IMS-ALG) – IMS Access Gateway (IMS-AGW); Iq Interface; Stage 3**

This document describes the protocol to be used on the IMS Application Level Gateway (ALG) – IMS Access Gateway (IMS-AGW) interface. The basis for this protocol is the H.248 protocol as specified in ITU-T. The IMS architecture is described in 3GPP TS 23.228. The underlying reference model and stage 2 information is described in 3GPP TS 23.228 and in 3GPP TS 23.334. This specification describes the application of H.248 on the Iq interface. Required extensions use the H.248 standard extension mechanism. In addition certain aspects of the base protocol H.248 are not needed for this interface and thus excluded by this profile.

| SDO (2) | Document No. | Version | Status | Issued date | Location (1) |
|-------------------|-----------------------------|---------|-----------|-------------|---|
| Release 9 | | | | | |
| ATIS | ATIS.3GPP.29.334V930-2012 | 9.3.0 | Approved | Jul 12 | https://www.atis.org/docstore/default.aspx |
| CCSA | CCSA-TSD-DS-29.334 | 9.3.0 | Published | Jun 12 | http://www.ccsa.org.cn/english/tc/files.php?docpath=/ITU-R/M.1457/M.1457-12/DS |
| ETSI | ETSI TS 129 334 | 9.3.0 | Published | Oct 10 | http://www.etsi.org/deliver/etsi_ts/129300_129399/129334/09.03.00_60/ |
| TTA | TTAT.3G-29.334(R9-9.1.0) | 9.1.0 | Approved | Jul 10 | http://www.tta.or.kr/data/ttasDown.jsp?where=14688&pk_num=TTAT.3G-29.334(R9-9.1.0) |
| TTC | TS-3GA-29.334(Rel9)v9.3.0 | 9.3.0 | Approved | Dec 10 | http://www.ttc.or.jp/jp/document_list/free/3gpps2010/TS/TS-3GA-29.334(Rel9)v9.3.0.pdf |
| Release 10 | | | | | |
| ATIS | ATIS.3GPP.29.334V1050-2014 | 10.5.0 | Approved | May 14 | https://www.atis.org/docstore/default.aspx |
| CCSA | CCSA-TSD-DS-29.334 | 10.3.0 | Published | Jun 12 | http://www.ccsa.org.cn/english/tc/files.php?docpath=/ITU-R/M.1457/M.1457-12/DS |
| ETSI | ETSI TS 129 334 | 10.5.0 | Published | Jan 13 | http://www.etsi.org/deliver/etsi_ts/129300_129399/129334/10.05.00_60/ |
| TTA | TTAT.3G-29.334(R10-10.3.0) | 10.3.0 | Approved | Aug 12 | http://www.tta.or.kr/data/ttasDown.jsp?where=14688&pk_num=TTAT.3G-29.334(R10-10.3.0) |
| TTC | TS-3GA-29.334(Rel10)v10.5.0 | 10.5.0 | Approved | Jun 13 | http://www.ttc.or.jp/jp/document_list/free/3gpps2013/TS/TS-3GA-29.334(Rel10)v10.5.0.pdf |
| Release 11 | | | | | |
| ATIS | ATIS.3GPP.29.334V1110-2014 | 11.1.0 | Approved | May 14 | https://www.atis.org/docstore/default.aspx |
| CCSA | CCSA-TSD-DS-29.334 | 11.3.0 | Published | Jun 14 | http://www.ccsa.org.cn/english/tc/files.php?docpath=/ITU-R/M.1457/M.1457-12/DS |
| ETSI | ETSI TS 129 334 | 11.1.0 | Published | Jan 13 | http://www.etsi.org/deliver/etsi_ts/129300_129399/129334/11.01.00_60/ |
| TTA | TTAT.3G-29.334(R11-11.1.0) | 11.1.0 | published | Aug 13 | http://www.tta.or.kr/data/ttasDown.jsp?where=14688&pk_num=TTAT.3G-29.334(R11-11.1.0) |
| TTC | TS-3GA-29.334(Rel11)v11.1.0 | 11.1.0 | Approved | Jun 13 | http://www.ttc.or.jp/jp/document_list/free/3gpps2013/TS/TS-3GA-29.334(Rel11)v11.1.0.pdf |

5.1.2.12.170 TS 29.335

User Data Convergence (UDC); User data repository access protocol over the Ud interface; Stage 3

This document describes the Stage 3 user data repository access protocol over Ud interface.

| SDO (2) | Document No. | Version | Status | Issued date | Location (1) |
|-------------------|-----------------------------|---------|-----------|-------------|---|
| Release 9 | | | | | |
| ATIS | ATIS.3GPP.29.335V941-2014 | 9.4.1 | Approved | May 14 | https://www.atis.org/docstore/default.aspx |
| CCSA | CCSA-TSD-DS-29.335 | 9.3.0 | Published | Jun 12 | http://www.ccsa.org.cn/english/tc/files.php?docpath=/ITU-R/M.1457/M.1457-12/DS |
| ETSI | ETSI TS 129 335 | 9.4.1 | Published | Apr 13 | http://www.etsi.org/deliver/etsi_ts/129300_129399/129335/09.04.01_60/ |
| TTA | TTAT.3G-29.335(R9-9.0.0) | 9.0.0 | Approved | Jul 10 | http://www.tta.or.kr/data/ttasDown.jsp?where=14688&pk_num=TTAT.3G-29.335(R9-9.0.0) |
| TTC | TS-3GA-29.335(Rel9)v9.4.1 | 9.4.1 | Approved | Jun 13 | http://www.ttc.or.jp/j/document_list/free/3gpps2013/TS/TS-3GA-29.335(Rel9)v9.4.1.pdf |
| Release 10 | | | | | |
| ATIS | ATIS.3GPP.29.335V1020-2014 | 10.2.0 | Approved | May 14 | https://www.atis.org/docstore/default.aspx |
| CCSA | CCSA-TSD-DS-29.335 | 10.1.0 | Published | Jun 12 | http://www.ccsa.org.cn/english/tc/files.php?docpath=/ITU-R/M.1457/M.1457-12/DS |
| ETSI | ETSI TS 129 335 | 10.2.0 | Published | Jan 13 | http://www.etsi.org/deliver/etsi_ts/129300_129399/129335/10.02.00_60/ |
| TTA | TTAT.3G-29.335(R10-10.1.0) | 10.1.0 | Approved | Apr 12 | http://www.tta.or.kr/data/ttasDown.jsp?where=14688&pk_num=TTAT.3G-29.335(R10-10.1.0) |
| TTC | TS-3GA-29.335(Rel10)v10.2.0 | 10.2.0 | Approved | Jun 13 | http://www.ttc.or.jp/j/document_list/free/3gpps2013/TS/TS-3GA-29.335(Rel10)v10.2.0.pdf |
| Release 11 | | | | | |
| ATIS | ATIS.3GPP.29.335V1110-2014 | 11.1.0 | Approved | May 14 | https://www.atis.org/docstore/default.aspx |
| CCSA | CCSA-TSD-DS-29.335 | 11.1.0 | Published | Jun 14 | http://www.ccsa.org.cn/english/tc/files.php?docpath=/ITU-R/M.1457/M.1457-12/DS |
| ETSI | ETSI TS 129 335 | 11.1.0 | Published | Jan 13 | http://www.etsi.org/deliver/etsi_ts/129300_129399/129335/11.01.00_60/ |
| TTA | TTAT.3G-29.335(R11-11.1.0) | 11.1.0 | published | Aug 13 | http://www.tta.or.kr/data/ttasDown.jsp?where=14688&pk_num=TTAT.3G-29.335(R11-11.1.0) |
| TTC | TS-3GA-29.335(Rel11)v11.1.0 | 11.1.0 | Approved | Jun 13 | http://www.ttc.or.jp/j/document_list/free/3gpps2013/TS/TS-3GA-29.335(Rel11)v11.1.0.pdf |

5.1.2.12.171 TS 29.336

Home Subscriber Server (HSS) diameter interfaces for interworking with packet data networks and applications

This document describes the Diameter-based interfaces between the HSS and other network elements involved in the architecture for interworking with packet data networks and applications, such as Machine-Type Communications (MTC). In particular, this document specifies the S6m interface between the Home Subscriber Server (HSS) and the MTC Interworking Function (MTC-IWF) and the S6n interface between the HSS and the MTC-AAA.

The procedures over those interfaces are defined in 3GPP TS 23.682.

| SDO (2) | Document No. | Version | Status | Issued date | Location (1) |
|-------------------|-----------------------------|---------|-----------|-------------|---|
| Release 11 | | | | | |
| ATIS | ATIS.3GPP.29.336V1110-2014 | 11.1.0 | Approved | May 14 | https://www.atis.org/docstore/default.aspx |
| TTA | TTAT.3G-29.336(R11-11.1.0) | 11.1.0 | published | Aug 13 | http://www.tta.or.kr/data/ttasDown.jsp?where=14688&pk_num=TTAT.3G-29.336(R11-11.1.0) |
| TTC | TS-3GA-29.336(Rel11)v11.1.0 | 11.1.0 | Approved | Jun 13 | http://www.ttc.or.jp/j/document_list/free/3gpps2013/TS/TS-3GA-29.336(Rel11)v11.1.0.pdf |

5.1.2.12.172 TS 29.337**Diameter-based T4 Interface for communications with packet data networks and applications**

This document describes the Diameter based interface between the Machine Type Communications-InterWorking Function (MTC-IWF) and the Short Message Service-Service Centre (SMS-SC) for communications with packet data networks and applications. This specification defines the Diameter application for the T4 reference point between the MTC-IWF and the SMS-SC. The interactions between the MTC-IWF and the SMS-SC are specified. The stage 2 description for communications with packet data networks and applications (architecture and functionality) is specified in the 3GPP TS 23.682.

| SDO (2) | Document No. | Version | Status | Issued date | Location (1) |
|-------------------|-----------------------------|---------|-----------|-------------|---|
| Release 11 | | | | | |
| ATIS | ATIS.3GPP.29.337V1120-2014 | 11.2.0 | Approved | May 14 | https://www.atis.org/docstore/default.aspx |
| TTA | TTAT.3G-29.337(R11-11.2.0) | 11.2.0 | published | Aug 13 | http://www.tta.or.kr/data/ttasDown.jsp?where=14688&pk_num=TTAT.3G-29.337(R11-11.2.0) |
| TTC | TS-3GA-29.337(Rel11)v11.2.0 | 11.2.0 | Approved | Jun 13 | http://www.ttc.or.jp/jp/document_list/free/3gpps2013/TS/TS-3GA-29.337(Rel11)v11.2.0.pdf |

5.1.2.12.173 TS 29.338**Diameter based protocols to support Short Message Service (SMS) capable Mobile Management Entities (MMEs)**

This document defines the Diameter-based interfaces specific to SMS when they are used in conjunction with the "SMS in MME" architecture specified in 3GPP TS 23.272. It comprises:

- the Diameter application for the S6c interface between the HSS and the SMS-GMSC or the SMS Router and between the SMS-GMSC and the SMS Router;
- the Diameter application for the SGd interface between the MME and the SMS-IWMSC or the SMS-GMSC or the SMS Router and between the SMS-GMSC and the SMS Router.

| SDO (2) | Document No. | Version | Status | Issued date | Location (1) |
|-------------------|-----------------------------|---------|-----------|-------------|---|
| Release 11 | | | | | |
| ATIS | ATIS.3GPP.29.338V1100-2014 | 11.0.0 | Approved | May 14 | https://www.atis.org/docstore/default.aspx |
| TTA | TTAT.3G-29.338(R11-11.0.0) | 11.0.0 | published | Aug 13 | http://www.tta.or.kr/data/ttasDown.jsp?where=14688&pk_num=TTAT.3G-29.338(R11-11.0.0) |
| TTC | TS-3GA-29.338(Rel11)v11.0.0 | 11.0.0 | Approved | Jun 13 | http://www.ttc.or.jp/jp/document_list/free/3gpps2013/TS/TS-3GA-29.338(Rel11)v11.0.0.pdf |

5.1.2.12.174 TS 29.364**IP Multimedia Subsystem (IMS) Application Server (AS) service data descriptions for AS interoperability**

This specification standardizes the structure and the coding of the service data that are transported over the Sh interface between an Application Server supporting Multimedia Telephony supplementary services as defined in 3GPP TS 22.173 and the HSS. Two optional formats are specified. One is based on a binary coding of the service data and supports the subset of MMTEL services corresponding to PSTN/ISDN and CS supplementary services. The other

uses an XML format and supports the full set of MMTEL Services.

| SDO (2) | Document No. | Version | Status | Issued date | Location (1) |
|-------------------|-----------------------------|---------|-----------|-------------|---|
| Release 8 | | | | | |
| CCSA | CCSA-TSD-DS-29.364 | 8.4.0 | Published | Jun 12 | http://www.ccsa.org.cn/english/tc/files.php?docpath=/ITU-R/M.1457/M.1457-12/DS |
| ETSI | ETSI TS 129 364 | 8.6.0 | Published | Apr 13 | http://www.etsi.org/deliver/etsi_ts/129300_129399/129364/08.06.00_60/ |
| TTC | TS-3GA-29.364(Rel8)v8.6.0 | 8.6.0 | Approved | Jun 13 | http://www.ttc.or.jp/j/document_list/free/3gpps2013/TS/TS-3GA-29.364(Rel8)v8.6.0.pdf |
| Release 9 | | | | | |
| ATIS | ATIS.3GPP.29.364V931-2014 | 9.3.1 | Approved | May 14 | https://www.atis.org/docstore/default.aspx |
| CCSA | CCSA-TSD-DS-29.364 | 9.1.0 | Published | Jun 12 | http://www.ccsa.org.cn/english/tc/files.php?docpath=/ITU-R/M.1457/M.1457-12/DS |
| ETSI | ETSI TS 129 364 | 9.3.1 | Published | May 13 | http://www.etsi.org/deliver/etsi_ts/129300_129399/129364/09.03.01_60/ |
| TTA | TTAT.3G-29.364(R9-9.0.0) | 9.0.0 | Approved | Jul 10 | http://www.tta.or.kr/data/ttasDown.jsp?where=14688&pk_num=TTAT.3G-29.364(R9-9.0.0) |
| TTC | TS-3GA-29.364(Rel9)v9.3.0 | 9.3.0 | Approved | Jun 13 | http://www.ttc.or.jp/j/document_list/free/3gpps2013/TS/TS-3GA-29.364(Rel9)v9.3.0.pdf |
| Release 10 | | | | | |
| ATIS | ATIS.3GPP.29.364V1030-2014 | 10.3.0 | Approved | May 14 | https://www.atis.org/docstore/default.aspx |
| CCSA | CCSA-TSD-DS-29.364 | 10.1.0 | Published | Jun 12 | http://www.ccsa.org.cn/english/tc/files.php?docpath=/ITU-R/M.1457/M.1457-12/DS |
| ETSI | ETSI TS 129 364 | 10.3.0 | Published | Apr 13 | http://www.etsi.org/deliver/etsi_ts/129300_129399/129364/10.03.00_60/ |
| TTC | TS-3GA-29.364(Rel10)v10.3.0 | 10.3.0 | Approved | Jun 13 | http://www.ttc.or.jp/j/document_list/free/3gpps2013/TS/TS-3GA-29.364(Rel10)v10.3.0.pdf |
| Release 11 | | | | | |
| ATIS | ATIS.3GPP.29.364V1120-2014 | 11.2.0 | Approved | May 14 | https://www.atis.org/docstore/default.aspx |
| CCSA | CCSA-TSD-DS-29.364 | 11.2.0 | Published | Jun 14 | http://www.ccsa.org.cn/english/tc/files.php?docpath=/ITU-R/M.1457/M.1457-12/DS |
| ETSI | ETSI TS 129 364 | 11.2.0 | Published | Apr 13 | http://www.etsi.org/deliver/etsi_ts/129300_129399/129364/11.02.00_60/ |
| TTA | TTAT.3G-29.364(R11-11.2.0) | 11.2.0 | published | Aug 13 | http://www.tta.or.kr/data/ttasDown.jsp?where=14688&pk_num=TTAT.3G-29.364(R11-11.2.0) |
| TTC | TS-3GA-29.364(Rel11)v11.2.0 | 11.2.0 | Approved | Jun 13 | http://www.ttc.or.jp/j/document_list/free/3gpps2013/TS/TS-3GA-29.364(Rel11)v11.2.0.pdf |

5.1.2.12.175 TS 29.368

Tsp interface protocol between the MTC Interworking Function (MTC-IWF) and Service Capability Server (SCS)

This document provides the protocol specification related to the Tsp reference point which is part of the architecture for Machine Type Communication. The Tsp reference point lies between the Service Capability Server (SCS) and the Machine Type Communication Inter Working Function (MTC-IWF).

| SDO (2) | Document No. | Version | Status | Issued date | Location (1) |
|-------------------|-----------------------------|---------|-----------|-------------|---|
| Release 11 | | | | | |
| ATIS | ATIS.3GPP.29.368V1120-2014 | 11.2.0 | Approved | May 14 | https://www.atis.org/docstore/default.aspx |
| TTA | TTAT.3G-29.368(R11-11.2.0) | 11.2.0 | published | Aug 13 | http://www.tta.or.kr/data/ttasDown.jsp?where=14688&pk_num=TTAT.3G-29.368(R11-11.2.0) |
| TTC | TS-3GA-29.368(Rel11)v11.2.0 | 11.2.0 | Approved | Jun 13 | http://www.ttc.or.jp/jp/document_list/free/3gpps2013/TS/TS-3GA-29.368(Rel11)v11.2.0.pdf |

5.1.2.12.176 TS 29.658

SIP Transfer of IP Multimedia Service Tariff Information; Protocol specification

This document specifies the protocol for the real-time transfer of Tariff Information between a Charge Determination Point (CDP) and a Charge Generation

Point (CGP) by means of the Session Initiation Protocol (SIP). It identifies the protocol procedures and switching functions needed to support the transfer of tariff information related to IP multimedia services.

| SDO (2) | Document No. | Version | Status | Issued date | Location (1) |
|-------------------|-----------------------------|---------|-----------|-------------|---|
| Release 8 | | | | | |
| ETSI | ETSI TS 129 658 | 8.5.0 | Published | Jul 12 | http://www.etsi.org/deliver/etsi_ts/129600_129699/129658/08.05.00_60/ |
| TTC | TS-3GA-29.658(Rel8)v8.5.0 | 8.5.0 | Approved | Sep 12 | http://www.ttc.or.jp/j/document_list/free/3gpps2010/TS/TS-3GA-29.658(Rel8)v8.4.0.pdf |
| Release 9 | | | | | |
| ETSI | ETSI TS 129 658 | 9.1.0 | Published | Jul 12 | http://www.etsi.org/deliver/etsi_ts/129600_129699/129658/09.01.00_60/ |
| TTC | TS-3GA-29.658(Rel9)v9.1.0 | 9.1.0 | Approved | Sep 12 | http://www.ttc.or.jp/j/document_list/free/3gpps2010/TS/TS-3GA-29.658(Rel9)v9.0.0.pdf |
| Release 10 | | | | | |
| ETSI | ETSI TS 129 658 | 10.1.0 | Published | Jul 12 | http://www.etsi.org/deliver/etsi_ts/129600_129699/129658/10.01.00_60/ |
| TTC | TS-3GA-29.658(Rel10)v10.1.0 | 10.1.0 | Approved | Sep 12 | http://www.ttc.or.jp/j/document_list/free/3gpps2011/TS/TS-3GA-29.658(Rel10)v10.0.0.pdf |
| Release 11 | | | | | |
| ATIS | ATIS.3GPP.29.658V1100-2014 | 11.0.0 | Approved | May 14 | https://www.atis.org/docstore/default.aspx |
| CCSA | CCSA-TSD-DS-29.658 | 11.0.0 | Published | Jun 14 | http://www.ccsa.org.cn/english/tc/files.php?docpath=/ITU-R/M.1457/M.1457-12/DS |
| ETSI | ETSI TS 129 658 | 11.0.0 | Published | Oct 12 | http://www.etsi.org/deliver/etsi_ts/129600_129699/129658/11.00.00_60/ |
| TTA | TTAT.3G-29.658(R11-11.0.0) | 11.0.0 | published | Aug 13 | http://www.tta.or.kr/data/ttasDown.jsp?where=14688&pk_num=TTAT.3G-29.658(R11-11.0.0) |
| TTC | TS-3GA-29.658(Rel11)v11.0.0 | 11.0.0 | Approved | Jun 13 | http://www.ttc.or.jp/j/document_list/free/3gpps2013/TS/TS-3GA-29.658(Rel11)v11.0.0.pdf |

5.1.2.12.177 TS 31.101

UICC-terminal interface; Physical and logical characteristics

This document specifies the interface between the UICC and the Terminal for 3G telecom network operation. It specifies:

- the requirements for the physical characteristics of the UICC;
- the electrical interface between the UICC and the Terminal;
- the initial communication establishment and the transport protocols;
- the model which serves as a basis for the logical structure of the UICC;
- the communication commands and the procedures;
- the application independent files and protocols.

| SDO (2) | Document No. | Version | Status | Issued date | Location (1) |
|-------------------|---------------------------|---------|-----------|-------------|---|
| Release 99 | | | | | |
| ARIB | ARIB STD-T63-31.101 | 3.3.1 | Approved | Jul 13 | http://www.arib.or.jp/english/html/overview/doc/STD-T63v10_00/2_T63/ARIB-STD-T63/R99/31/A31101-331.pdf |
| ATIS | ATIS.3GPP.31.101V331-2006 | 3.3.1 | Approved | Apr 06 | https://www.atis.org/docstore/default.aspx |
| CCSA | CCSA-TSD-DS-31.101 | 3.3.1 | Published | Jan 05 | http://www.ccsa.org.cn/english/tc/files.php?docpath=/ITU-R/M.1457/M.1457-12/DS |
| ETSI | ETSI TS 131 101 | 3.3.1 | Published | Jan 05 | http://www.etsi.org/deliver/etsi_ts/131100_131199/131101/03.03.01_60/ |

Release 11

| | | | | | |
|------|----------------------------|--------|-----------|--------|---|
| ARIB | ARIB STD-T63-31.101 | 11.0.0 | Approved | Jul 13 | http://www.arib.or.jp/english/html/overview/doc/STD-T63v10_00/2_T63/ARIB-STD-T63/Rel11/31/A31101-b00.pdf |
| ATIS | ATIS.3GPP.31.101V1100-2014 | 11.0.0 | Approved | May 14 | https://www.atis.org/docstore/default.aspx |
| CCSA | CCSA-TSD-DS-31.101 | 11.0.0 | Published | Jun 14 | http://www.ccsa.org.cn/english/tc/files.php?docpath=/ITU-R/M.1457/M.1457-12/DS |
| ETSI | ETSI TS 131 101 | 11.0.0 | Published | Nov 12 | http://www.etsi.org/deliver/etsi_ts/131100_131199/131101/11.00.00_60/ |
| TTA | TTAT.3G-31.101(R11-11.0.0) | 11.0.0 | published | Aug 13 | http://www.tta.or.kr/data/ttasDown.jsp?where=14688&pk_num=TTAT.3G-31.101(R11-11.0.0) |

5.1.2.12.178 TS 31.102**Characteristics of the Universal Subscriber Identity Module (USIM) application**

This document defines the USIM application for 3G telecom network operation. It specifies:

- specific command parameters;
- file structures;
- contents of EFs (Elementary Files);
- security functions;
- application protocol to be used on the interface between UICC (USIM) and ME. This is to ensure interoperability between a USIM and an ME independently of the respective manufacturer, card issuer or operator

| SDO (2) | Document No. | Version | Status | Issued date | Location (1) |
|-------------------|----------------------------|---------|-----------|-------------|---|
| Release 99 | | | | | |
| ARIB | ARIB STD-T63-31.102 | 3.18.0 | Approved | Jul 13 | http://www.arib.or.jp/english/html/overview/doc/STD-T63v10_00/2_T63/ARIB-STD-T63/R99/31/A31102-3i0.pdf |
| ATIS | ATIS.3GPP.31.102V3180-2006 | 3.18.0 | Approved | Apr 06 | https://www.atis.org/docstore/default.aspx |
| CCSA | CCSA-TSD-DS-31.102 | 3.18.0 | Published | Jun 05 | http://www.ccsa.org.cn/english/tc/files.php?docpath=/ITU-R/M.1457/M.1457-12/DS |
| ETSI | ETSI TS 131 102 | 3.18.0 | Published | Jun 05 | http://www.etsi.org/deliver/etsi_ts/131100_131199/131102/03.18.00_60/ |
| TTA | TTAT.3G-31.102(R99-3.18.0) | 3.18.0 | Approved | Apr 06 | http://www.tta.or.kr/data/ttasDown.jsp?where=14688&pk_num=TTAT.3G-31.102(R99-3.18.0) |
| Release 4 | | | | | |
| ARIB | ARIB STD-T63-31.102 | 4.15.0 | Approved | Jul 13 | http://www.arib.or.jp/english/html/overview/doc/STD-T63v10_00/2_T63/ARIB-STD-T63/Rel4/31/A31102-4f0.pdf |
| ATIS | ATIS.3GPP.31.102V4150-2006 | 4.15.0 | Approved | Apr 06 | https://www.atis.org/docstore/default.aspx |
| CCSA | CCSA-TSD-DS-31.102 | 4.15.0 | Published | Jun 05 | http://www.ccsa.org.cn/english/tc/files.php?docpath=/ITU-R/M.1457/M.1457-12/DS |
| ETSI | ETSI TS 131 102 | 4.15.0 | Published | Jun 05 | http://www.etsi.org/deliver/etsi_ts/131100_131199/131102/04.15.00_60/ |
| TTA | TTAT.3G-31.102(R4-4.15.0) | 4.15.0 | Approved | Apr 06 | http://www.tta.or.kr/data/ttasDown.jsp?where=14688&pk_num=TTAT.3G-31.102(R4-4.15.0) |
| Release 5 | | | | | |
| ARIB | ARIB STD-T63-31.102 | 5.15.0 | Approved | Jul 13 | http://www.arib.or.jp/english/html/overview/doc/STD-T63v10_00/2_T63/ARIB-STD-T63/Rel5/31/A31102-5f0.pdf |
| ATIS | ATIS.3GPP.31.102V5150-2014 | 5.15.0 | Approved | May 14 | https://www.atis.org/docstore/default.aspx |
| CCSA | CCSA-TSD-DS-31.102 | 5.14.0 | Published | Oct 05 | http://www.ccsa.org.cn/english/tc/files.php?docpath=/ITU-R/M.1457/M.1457-12/DS |
| ETSI | ETSI TS 131 102 | 5.15.0 | Published | Oct 12 | http://www.etsi.org/deliver/etsi_ts/131100_131199/131102/05.15.00_60/ |
| TTA | TTAT.3G-31.102(R5-5.14.0) | 5.14.0 | Approved | Apr 06 | http://www.tta.or.kr/data/ttasDown.jsp?where=14688&pk_num=TTAT.3G-31.102(R5-5.14.0) |

Release 6

| | | | | | |
|------|----------------------------|--------|-----------|--------|---|
| ARIB | ARIB STD-T63-31.102 | 6.23.0 | Approved | Jul 13 | http://www.arib.or.jp/english/html/overview/doc/STD-T63v10_00/2_T63/ARIB-STD-T63/Rel6/31/A31102-6n0.pdf |
| ATIS | ATIS.3GPP.31.102V6230-2014 | 6.23.0 | Approved | May 14 | https://www.atis.org/docstore/default.aspx |
| CCSA | CCSA-TSD-DS-31.102 | 6.21.0 | Published | Oct 08 | http://www.ccsa.org.cn/english/tc/files.php?docpath=/ITU-R/M.1457/M.1457-12/DS |
| ETSI | ETSI TS 131 102 | 6.23.0 | Published | Jan 13 | http://www.etsi.org/deliver/etsi_ts/131100_131199/131102/06.23.00_60/ |
| TTA | TTAT.3G-31.102(R6-6.21.0) | 6.21.0 | Approved | Jul 09 | http://www.tta.or.kr/data/ttasDown.jsp?where=14688&pk_num=TTAT.3G-31.102(R6-6.21.0) |

Release 7

| | | | | | |
|------|----------------------------|--------|-----------|--------|---|
| ARIB | ARIB STD-T63-31.102 | 7.17.0 | Approved | Jul 13 | http://www.arib.or.jp/english/html/overview/doc/STD-T63v10_00/2_T63/ARIB-STD-T63/Rel7/31/A31102-7h0.pdf |
| ATIS | ATIS.3GPP.31.102V7170-2014 | 7.17.0 | Approved | May 14 | https://www.atis.org/docstore/default.aspx |
| CCSA | CCSA-TSD-DS-31.102 | 7.15.0 | Published | Mar 10 | http://www.ccsa.org.cn/english/tc/files.php?docpath=/ITU-R/M.1457/M.1457-12/DS |
| ETSI | ETSI TS 131 102 | 7.17.0 | Published | Jan 13 | http://www.etsi.org/deliver/etsi_ts/131100_131199/131102/07.17.00_60/ |
| TTA | TTAT.3G-31.102(R7-7.13.0) | 7.13.0 | Approved | Jul 09 | http://www.tta.or.kr/data/ttasDown.jsp?where=14688&pk_num=TTAT.3G-31.102(R7-7.13.0) |

Release 8

| | | | | | |
|------|----------------------------|--------|-----------|--------|---|
| ARIB | ARIB STD-T63-31.102 | 8.16.0 | Approved | Jul 13 | http://www.arib.or.jp/english/html/overview/doc/STD-T63v10_00/2_T63/ARIB-STD-T63/Rel8/31/A31102-8g0.pdf |
| ATIS | ATIS.3GPP.31.102V8160-2014 | 8.16.0 | Approved | May 14 | https://www.atis.org/docstore/default.aspx |
| CCSA | CCSA-TSD-DS-31.102 | 8.14.0 | Published | Jun 12 | http://www.ccsa.org.cn/english/tc/files.php?docpath=/ITU-R/M.1457/M.1457-12/DS |
| ETSI | ETSI TS 131 102 | 8.16.0 | Published | Jan 13 | http://www.etsi.org/deliver/etsi_ts/131100_131199/131102/08.16.00_60/ |
| TTA | TTAT.3G-31.102(R8-8.5.0) | 8.5.0 | Approved | Jul 09 | http://www.tta.or.kr/data/ttasDown.jsp?where=14688&pk_num=TTAT.3G-31.102(R8-8.5.0) |

Release 9

| | | | | | |
|------|----------------------------|--------|-----------|--------|---|
| ARIB | ARIB STD-T63-31.102 | 9.12.0 | Approved | Jul 13 | http://www.arib.or.jp/english/html/overview/doc/STD-T63v10_00/2_T63/ARIB-STD-T63/Rel9/31/A31102-9c0.pdf |
| ATIS | ATIS.3GPP.31.102V9120-2014 | 9.12.0 | Approved | May 14 | https://www.atis.org/docstore/default.aspx |
| CCSA | CCSA-TSD-DS-31.102 | 9.9.0 | Published | Jun 12 | http://www.ccsa.org.cn/english/tc/files.php?docpath=/ITU-R/M.1457/M.1457-12/DS |
| ETSI | ETSI TS 131 102 | 9.12.0 | Published | Jan 13 | http://www.etsi.org/deliver/etsi_ts/131100_131199/131102/09.12.00_60/ |
| TTA | TTAT.3G-31.102(R9-9.2.0) | 9.2.0 | Approved | Jul 10 | http://www.tta.or.kr/data/ttasDown.jsp?where=14688&pk_num=TTAT.3G-31.102(R9-9.2.0) |

Release 10

| | | | | | |
|------|----------------------------|--------|-----------|--------|---|
| ARIB | ARIB STD-T63-31.102 | 10.8.0 | Approved | Jul 13 | http://www.arib.or.jp/english/html/overview/doc/STD-T63v10_00/2_T63/ARIB-STD-T63/Rel10/31/A31102-a80.pdf |
| ATIS | ATIS.3GPP.31.102V1080-2014 | 10.8.0 | Approved | May 14 | https://www.atis.org/docstore/default.aspx |
| CCSA | CCSA-TSD-DS-31.102 | 10.4.0 | Published | Jun 12 | http://www.ccsa.org.cn/english/tc/files.php?docpath=/ITU-R/M.1457/M.1457-12/DS |
| ETSI | ETSI TS 131 102 | 10.8.0 | Published | Jan 13 | http://www.etsi.org/deliver/etsi_ts/131100_131199/131102/10.08.00_60/ |
| TTA | TTAT.3G-31.102(R10-10.5.0) | 10.5.0 | Approved | Aug 12 | http://www.tta.or.kr/data/ttasDown.jsp?where=14688&pk_num=TTAT.3G-31.102(R10-10.5.0) |

Release 11

| | | | | | |
|------|----------------------------|--------|-----------|--------|---|
| ARIB | ARIB STD-T63-31.102 | 11.4.0 | Approved | Jul 13 | http://www.arib.or.jp/english/html/overview/doc/STD-T63v10_00/2_T63/ARIB-STD-T63/Rel11/31/A31102-b40.pdf |
| ATIS | ATIS.3GPP.31.102V1140-2014 | 11.4.0 | Approved | May 14 | https://www.atis.org/docstore/default.aspx |
| CCSA | CCSA-TSD-DS-31.102 | 11.6.0 | Published | Jun 14 | http://www.ccsa.org.cn/english/tc/files.php?docpath=/ITU-R/M.1457/M.1457-12/DS |
| ETSI | ETSI TS 131 102 | 11.4.0 | Published | Jan 13 | http://www.etsi.org/deliver/etsi_ts/131100_131199/131102/11.04.00_60/ |
| TTA | TTAT.3G-31.102(R11-11.4.0) | 11.4.0 | published | Aug 13 | http://www.tta.or.kr/data/ttasDown.jsp?where=14688&pk_num=TTAT.3G-31.102(R11-11.4.0) |

5.1.2.12.179 TS 31.103**Characteristics of the IP Multimedia Services Identity Module (ISIM) application**

This document defines the ISIM application for access to IMS services. This document specifies:

- specific command parameters;

- file structures;
- contents of EFs (Elementary Files);
- security functions;
- application protocol to be used on the interface between UICC (ISIM) and Terminal. This is to ensure interoperability between an ISIM and Terminal independently of the respective manufacturer, card issuer or operator.

This document does not define any aspects related to the administrative management phase of the ISIM. Any internal technical realization of either the ISIM or the Terminal is only specified where these are reflected over the interface. This document does not specify any of the security algorithms that may be used.

| SDO (2) | Document No. | Version | Status | Issued date | Location (1) |
|------------------|----------------------------|---------|-----------|-------------|---|
| Release 5 | | | | | |
| ARIB | ARIB STD-T63-31.103 | 5.14.0 | Approved | Jul 13 | http://www.arib.or.jp/english/html/overview/doc/STD-T63v10_00/2_T63/ARIB-STD-T63/Rel5/31/A31103-5e0.pdf |
| ATIS | ATIS.3GPP.31.103V5140-2014 | 5.14.0 | Approved | May 14 | https://www.atis.org/docstore/default.aspx |
| CCSA | CCSA-TSD-DS-31.103 | 5.13.1 | Published | Jul 07 | http://www.ccsa.org.cn/english/tc/files.php?docpath=/ITU-R/M.1457/M.1457-12/DS |
| ETSI | ETSI TS 131 103 | 5.14.0 | Published | Jan 13 | http://www.etsi.org/deliver/etsi_ts/131100_131199/131103/05.14.00_60/ |
| TTA | TTAT.3G-31.103(R5-5.13.1) | 5.13.1 | Approved | Dec 07 | http://www.tta.or.kr/data/ttasDown.jsp?where=14688&pk_num=TTAT.3G-31.103(R5-5.13.1) |
| Release 6 | | | | | |
| ARIB | ARIB STD-T63-31.103 | 6.14.0 | Approved | Jul 13 | http://www.arib.or.jp/english/html/overview/doc/STD-T63v10_00/2_T63/ARIB-STD-T63/Rel6/31/A31103-6e0.pdf |
| ATIS | ATIS.3GPP.31.103V6140-2014 | 6.14.0 | Approved | May 14 | https://www.atis.org/docstore/default.aspx |
| CCSA | CCSA-TSD-DS-31.103 | 6.13.0 | Published | Oct 08 | http://www.ccsa.org.cn/english/tc/files.php?docpath=/ITU-R/M.1457/M.1457-12/DS |
| ETSI | ETSI TS 131 103 | 6.14.0 | Published | Jan 13 | http://www.etsi.org/deliver/etsi_ts/131100_131199/131103/06.14.00_60/ |
| TTA | TTAT.3G-31.103(R6-6.13.0) | 6.13.0 | Approved | Jul 09 | http://www.tta.or.kr/data/ttasDown.jsp?where=14688&pk_num=TTAT.3G-31.103(R6-6.13.0) |
| Release 7 | | | | | |
| ARIB | ARIB STD-T63-31.103 | 7.7.0 | Approved | Jul 13 | http://www.arib.or.jp/english/html/overview/doc/STD-T63v10_00/2_T63/ARIB-STD-T63/Rel7/31/A31103-770.pdf |
| ATIS | ATIS.3GPP.31.103V770-2014 | 7.7.0 | Approved | May 14 | https://www.atis.org/docstore/default.aspx |
| CCSA | CCSA-TSD-DS-31.103 | 7.6.0 | Published | Mar 10 | http://www.ccsa.org.cn/english/tc/files.php?docpath=/ITU-R/M.1457/M.1457-12/DS |
| ETSI | ETSI TS 131 103 | 7.7.0 | Published | Jan 13 | http://www.etsi.org/deliver/etsi_ts/131100_131199/131103/07.07.00_60/ |
| TTA | TTAT.3G-31.103(R7-7.4.0) | 7.4.0 | Approved | Jul 09 | http://www.tta.or.kr/data/ttasDown.jsp?where=14688&pk_num=TTAT.3G-31.103(R7-7.4.0) |
| Release 8 | | | | | |
| ARIB | ARIB STD-T63-31.103 | 8.5.0 | Approved | Jul 13 | http://www.arib.or.jp/english/html/overview/doc/STD-T63v10_00/2_T63/ARIB-STD-T63/Rel8/31/A31103-850.pdf |
| ATIS | ATIS.3GPP.31.103V850-2014 | 8.5.0 | Approved | May 14 | https://www.atis.org/docstore/default.aspx |
| CCSA | CCSA-TSD-DS-31.103 | 8.4.0 | Published | Jun 12 | http://www.ccsa.org.cn/english/tc/files.php?docpath=/ITU-R/M.1457/M.1457-12/DS |
| ETSI | ETSI TS 131 103 | 8.5.0 | Published | Jan 13 | http://www.etsi.org/deliver/etsi_ts/131100_131199/131103/08.05.00_60/ |
| TTA | TTAT.3G-31.103(R8-8.0.1) | 8.0.1 | Approved | Jul 09 | http://www.tta.or.kr/data/ttasDown.jsp?where=14688&pk_num=TTAT.3G-31.103(R8-8.0.1) |
| Release 9 | | | | | |
| ARIB | ARIB STD-T63-31.103 | 9.3.0 | Approved | Jul 13 | http://www.arib.or.jp/english/html/overview/doc/STD-T63v10_00/2_T63/ARIB-STD-T63/Rel9/31/A31103-930.pdf |
| ATIS | ATIS.3GPP.31.103V930-2014 | 9.3.0 | Approved | May 14 | https://www.atis.org/docstore/default.aspx |
| CCSA | CCSA-TSD-DS-31.103 | 9.2.0 | Published | Jun 12 | http://www.ccsa.org.cn/english/tc/files.php?docpath=/ITU-R/M.1457/M.1457-12/DS |
| ETSI | ETSI TS 131 103 | 9.3.0 | Published | Jan 13 | http://www.etsi.org/deliver/etsi_ts/131100_131199/131103/09.03.00_60/ |
| TTA | TTAT.3G-31.103(R9-9.0.0) | 9.0.0 | Approved | Jul 10 | http://www.tta.or.kr/data/ttasDown.jsp?where=14688&pk_num=TTAT.3G-31.103(R9-9.0.0) |

Release 10

| | | | | | |
|------|----------------------------|--------|-----------|--------|---|
| ARIB | ARIB STD-T63-31.103 | 10.2.0 | Approved | Jul 13 | http://www.arib.or.jp/english/html/overview/doc/STD-T63v10_00/2_T63/ARIB-STD-T63/Rel10/31/A31103-a20.pdf |
| ATIS | ATIS.3GPP.31.103V1020-2014 | 10.2.0 | Approved | May 14 | https://www.atis.org/docstore/default.aspx |
| CCSA | CCSA-TSD-DS-31.103 | 10.1.0 | Published | Jun 12 | http://www.ccsa.org.cn/english/tc/files.php?docpath=/ITU-R/M.1457/M.1457-12/DS |
| ETSI | ETSI TS 131 103 | 10.2.0 | Published | Jan 13 | http://www.etsi.org/deliver/etsi_ts/131100_131199/131103/10.02.00_60/ |
| TTA | TTAT.3G-31.103(R10-10.1.0) | 10.1.0 | Approved | Apr 12 | http://www.tta.or.kr/data/ttasDown.jsp?where=14688&pk_num=TTAT.3G-31.103(R10-10.1.0) |

Release 11

| | | | | | |
|------|----------------------------|--------|----------|--------|---|
| ARIB | ARIB STD-T63-31.103 | 11.1.0 | Approved | Jul 13 | http://www.arib.or.jp/english/html/overview/doc/STD-T63v10_00/2_T63/ARIB-STD-T63/Rel11/31/A31103-b10.pdf |
| ATIS | ATIS.3GPP.31.103V1110-2014 | 11.1.0 | Approved | May 14 | https://www.atis.org/docstore/default.aspx |

5.1.2.12.180 TS 31.104**Characteristics of the Hosting Party Subscription Identity Module (HPSIM) application**

This document defines the Hosting Party Subscription Identity Module (HPSIM) application. This application resides on the UICC, an IC card specified in 3GPP TS 31.101.

3GPP TS 31.104 applies to a H(e)NB supporting the HPSIM for H(e)NB Hosting Party authentication and specifies:

- identification of the Hosting Party;
- security mechanism, e.g. authentication based on EAP-AKA method.

| SDO (2) | Document No. | Version | Status | Issued date | Location (1) |
|---------|----------------------------|---------|-----------|-------------|---|
| ARIB | ARIB STD-T63-31.104 | 11.1.0 | Approved | Jul 13 | http://www.arib.or.jp/english/html/overview/doc/STD-T63v10_00/2_T63/ARIB-STD-T63/Rel11/31/A31104-b10.pdf |
| ATIS | ATIS.3GPP.31.104V1110-2014 | 11.1.0 | Approved | May 14 | https://www.atis.org/docstore/default.aspx |
| TTA | TTAT.3G-31.104(R11-11.1.0) | 11.1.0 | published | Aug 13 | http://www.tta.or.kr/data/ttasDown.jsp?where=14688&pk_num=TTAT.3G-31.104(R11-11.1.0) |

5.1.2.12.181 TS 31.111**Universal Subscriber Identity Module (USIM) Application Toolkit (USAT)**

This document defines the ISIM application for access to IMS services. It specifies:

- specific command parameters;
- file structures;
- contents of EFs (Elementary Files);
- security functions;

– application protocol to be used on the interface between UICC (ISIM) and Terminal. This is to ensure interoperability between an ISIM and Terminal independently of the respective manufacturer, card issuer or operator. This document defines the interface between the UICC and the Mobile Equipment (ME), and mandatory ME procedures, specifically for “USIM Application Toolkit”.

The document mainly refers to ETSI TS 102 223, which describes the generic aspects of application toolkits within the UICC. USAT is a set of commands and procedures for use during the network operation phase of 3G/LTE, in addition to those defined in TS 31.101.

Specifying the interface is to ensure interoperability between a UICC and an ME independently of the respective manufacturers and operators.

This document defines for 3G/LTE technology:

- the commands;
- the application protocol;
- the mandatory requirements on the UICC and ME for each procedure.

| SDO (2) | Document No. | Version | Status | Issued date | Location (1) |
|-------------------|----------------------------|---------|-----------|-------------|---|
| Release 99 | | | | | |
| ARIB | ARIB STD-T63-31.111 | 3.14.0 | Approved | Jul 13 | http://www.arib.or.jp/english/html/overview/doc/STD-T63v10_00/2_T63/ARIB-STD-T63/R99/31/A31111-3e0.pdf |
| ATIS | ATIS.3GPP.31.111V3140-2007 | 3.14.0 | Approved | Oct 07 | https://www.atis.org/docstore/default.aspx |
| CCSA | CCSA-TSD-DS-31.111 | 3.14.0 | Published | Jun 07 | http://www.ccsa.org.cn/english/tc/files.php?docpath=/ITU-R/M.1457/M.1457-12/DS |
| ETSI | ETSI TS 131 111 | 3.14.0 | Published | Jun 07 | http://www.etsi.org/deliver/etsi_ts/131100_131199/131111/03.14.00_60/ |
| TTA | TTAT.3G-31.111(R99-3.14.0) | 3.14.0 | Approved | Dec 07 | http://www.tta.or.kr/data/ttasDown.jsp?where=14688&pk_num=TTAT.3G-31.111(R99-3.14.0) |
| Release 4 | | | | | |
| ARIB | ARIB STD-T63-31.111 | 4.17.0 | Approved | Jul 13 | http://www.arib.or.jp/english/html/overview/doc/STD-T63v10_00/2_T63/ARIB-STD-T63/Rel4/31/A31111-4h0.pdf |
| ATIS | ATIS.3GPP.31.111V4170-2010 | 4.17.0 | Approved | Jul 10 | https://www.atis.org/docstore/default.aspx |
| CCSA | CCSA-TSD-DS-31.111 | 4.17.0 | Published | Mar 10 | http://www.ccsa.org.cn/english/tc/files.php?docpath=/ITU-R/M.1457/M.1457-12/DS |
| ETSI | ETSI TS 131 111 | 4.17.0 | Published | Oct 09 | http://www.etsi.org/deliver/etsi_ts/131100_131199/131111/04.17.00_60/ |
| TTA | TTAT.3G-31.111(R4-4.16.0) | 4.16.0 | Approved | Dec 07 | http://www.tta.or.kr/data/ttasDown.jsp?where=14688&pk_num=TTAT.3G-31.111(R4-4.16.0) |
| Release 5 | | | | | |
| ARIB | ARIB STD-T63-31.111 | 5.12.0 | Approved | Jul 13 | http://www.arib.or.jp/english/html/overview/doc/STD-T63v10_00/2_T63/ARIB-STD-T63/Rel5/31/A31111-5c0.pdf |
| ATIS | ATIS.3GPP.31.111V5120-2010 | 5.12.0 | Approved | Jul 10 | https://www.atis.org/docstore/default.aspx |
| CCSA | CCSA-TSD-DS-31.111 | 5.12.0 | Published | Mar 10 | http://www.ccsa.org.cn/english/tc/files.php?docpath=/ITU-R/M.1457/M.1457-12/DS |
| ETSI | ETSI TS 131 111 | 5.12.0 | Published | Oct 09 | http://www.etsi.org/deliver/etsi_ts/131100_131199/131111/05.12.00_60/ |
| TTA | TTAT.3G-31.111(R5-5.11.0) | 5.11.0 | Approved | Dec 07 | http://www.tta.or.kr/data/ttasDown.jsp?where=14688&pk_num=TTAT.3G-31.111(R5-5.11.0) |
| Release 6 | | | | | |
| ARIB | ARIB STD-T63-31.111 | 6.15.0 | Approved | Jul 13 | http://www.arib.or.jp/english/html/overview/doc/STD-T63v10_00/2_T63/ARIB-STD-T63/Rel6/31/A31111-6f0.pdf |
| ATIS | ATIS.3GPP.31.111V6150-2014 | 6.15.0 | Approved | May 14 | https://www.atis.org/docstore/default.aspx |
| CCSA | CCSA-TSD-DS-31.111 | 6.14.0 | Published | Jun 12 | http://www.ccsa.org.cn/english/tc/files.php?docpath=/ITU-R/M.1457/M.1457-12/DS |
| ETSI | ETSI TS 131 111 | 6.15.0 | Published | Apr 12 | http://www.etsi.org/deliver/etsi_ts/131100_131199/131111/06.15.00_60/ |
| TTA | TTAT.3G-31.111(R6-6.12.0) | 6.12.0 | Approved | Jul 09 | http://www.tta.or.kr/data/ttasDown.jsp?where=14688&pk_num=TTAT.3G-31.111(R6-6.12.0) |
| Release 7 | | | | | |
| ARIB | ARIB STD-T63-31.111 | 7.17.0 | Approved | Jul 13 | http://www.arib.or.jp/english/html/overview/doc/STD-T63v10_00/2_T63/ARIB-STD-T63/Rel7/31/A31111-7h0.pdf |

| | | | | | |
|-------------------|----------------------------|--------|-----------|--------|---|
| ATIS | ATIS.3GPP.31.111V7170-2014 | 7.17.0 | Approved | May 14 | https://www.atis.org/docstore/default.aspx |
| CCSA | CCSA-TSD-DS-31.111 | 7.16.0 | Published | Jun 12 | http://www.ccsa.org.cn/english/tc/files.php?docpath=/ITU-R/M.1457/M.1457-12/DS |
| ETSI | ETSI TS 131 111 | 7.17.0 | Published | Mar 12 | http://www.etsi.org/deliver/etsi_ts/131100_131199/131111/07.17.00_60/ |
| TTA | TTAT.3G-31.111(R7-7.10.0) | 7.10.0 | Approved | Jul 09 | http://www.tta.or.kr/data/ttasDown.jsp?where=14688&pk_num=TTAT.3G-31.111(R7-7.10.0) |
| Release 8 | | | | | |
| ARIB | ARIB STD-T63-31.111 | 8.14.0 | Approved | Jul 13 | http://www.arib.or.jp/english/html/overview/doc/STD-T63v10_00/2_T63/ARIB-STD-T63/Rel8/31/A31111-8e0.pdf |
| ATIS | ATIS.3GPP.31.111V8140-2014 | 8.14.0 | Approved | May 14 | https://www.atis.org/docstore/default.aspx |
| CCSA | CCSA-TSD-DS-31.111 | 8.11.0 | Published | Jun 12 | http://www.ccsa.org.cn/english/tc/files.php?docpath=/ITU-R/M.1457/M.1457-12/DS |
| ETSI | ETSI TS 131 111 | 8.14.0 | Published | Jan 13 | http://www.etsi.org/deliver/etsi_ts/131100_131199/131111/08.14.00_60/ |
| TTA | TTAT.3G-31.111(R8-8.5.1) | 8.5.1 | Approved | Jul 09 | http://www.tta.or.kr/data/ttasDown.jsp?where=14688&pk_num=TTAT.3G-31.111(R8-8.5.1) |
| Release 9 | | | | | |
| ARIB | ARIB STD-T63-31.111 | 9.10.1 | Approved | Jul 13 | http://www.arib.or.jp/english/html/overview/doc/STD-T63v10_00/2_T63/ARIB-STD-T63/Rel9/31/A31111-9a1.pdf |
| CCSA | CCSA-TSD-DS-31.111 | 9.6.0 | Published | Jun 12 | http://www.ccsa.org.cn/english/tc/files.php?docpath=/ITU-R/M.1457/M.1457-12/DS |
| ETSI | ETSI TS 131 111 | 9.10.1 | Published | Apr 13 | http://www.etsi.org/deliver/etsi_ts/131100_131199/131111/09.10.01_60/ |
| TTA | TTAT.3G-31.111(R9-9.1.0) | 9.1.0 | Approved | Jul 10 | http://www.tta.or.kr/data/ttasDown.jsp?where=14688&pk_num=TTAT.3G-31.111(R9-9.1.0) |
| Release 10 | | | | | |
| ARIB | ARIB STD-T63-31.111 | 10.9.0 | Approved | Jul 13 | http://www.arib.or.jp/english/html/overview/doc/STD-T63v10_00/2_T63/ARIB-STD-T63/Rel10/31/A31111-a90.pdf |
| ATIS | ATIS.3GPP.31.111V1090-2014 | 10.9.0 | Approved | May 14 | https://www.atis.org/docstore/default.aspx |
| CCSA | CCSA-TSD-DS-31.111 | 10.5.0 | Published | Jun 12 | http://www.ccsa.org.cn/english/tc/files.php?docpath=/ITU-R/M.1457/M.1457-12/DS |
| ETSI | ETSI TS 131 111 | 10.9.0 | Published | Jan 13 | http://www.etsi.org/deliver/etsi_ts/131100_131199/131111/10.09.00_60/ |
| TTA | TTAT.3G-31.111(R10-10.6.0) | 10.6.0 | Approved | Aug 12 | http://www.tta.or.kr/data/ttasDown.jsp?where=14688&pk_num=TTAT.3G-31.111(R10-10.6.0) |
| Release 11 | | | | | |
| ARIB | ARIB STD-T63-31.111 | 11.5.0 | Approved | Jul 13 | http://www.arib.or.jp/english/html/overview/doc/STD-T63v10_00/2_T63/ARIB-STD-T63/Rel11/31/A31111-b50.pdf |
| ATIS | ATIS.3GPP.31.111V1150-2014 | 11.5.0 | Approved | May 14 | https://www.atis.org/docstore/default.aspx |
| CCSA | CCSA-TSD-DS-31.111 | 11.8.0 | Published | Jun 14 | http://www.ccsa.org.cn/english/tc/files.php?docpath=/ITU-R/M.1457/M.1457-12/DS |
| ETSI | ETSI TS 131 111 | 11.5.0 | Published | Apr 13 | http://www.etsi.org/deliver/etsi_ts/131100_131199/131111/11.05.00_60/ |
| TTA | TTAT.3G-31.111(R11-11.5.0) | 11.5.0 | published | Aug 13 | http://www.tta.or.kr/data/ttasDown.jsp?where=14688&pk_num=TTAT.3G-31.111(R11-11.5.0) |

5.1.2.12.182 TS 31.115

Secured packet structure for (Universal) Subscriber Identity Module (U)SIM Toolkit applications

This document specifies the structure of the Secured Packets in implementations using Short Message Service Point to Point (SMS-PP), Short Message Service Cell Broadcast (SMS-CB), Unstructured Supplementary Service Data (USSD) and Hyper Text Transfer Protocol (HTTP) based on ETSI TS 102 225. The structure of the Secured Packets complies with the one defined in ETSI TS 102 225. This document only contains additional requirements or explicit limitations for SIM/USIM applications. It is applicable to the exchange of secured packets between an entity in a 3G or GSM PLMN and an entity in the (U)SIM. Secured Packets contain application messages to which certain mechanisms according to ETSI TS 102 224 have been applied. Application messages are commands or data exchanged between an application resident in or behind the PLMN and on the (U)SIM. The Sending/Receiving Entity in the 3G or GSM PLMN and the UICC are responsible for applying the security mechanisms to the application messages and thus turning them into Secured Packets.

| SDO (2) | Document No. | Version | Status | Issued date | Location (1) |
|-------------------|----------------------------|---------|-----------|-------------|---|
| Release 6 | | | | | |
| ARIB | ARIB STD-T63-31.115 | 6.5.0 | Approved | Jul 13 | http://www.arib.or.jp/english/html/overview/doc/STD-T63v10_00/2_T63/ARIB-STD-T63/Rel6/31/A31115-650.pdf |
| ATIS | ATIS.3GPP.31.115V650-2006 | 6.5.0 | Approved | Apr 06 | https://www.atis.org/docstore/default.aspx |
| CCSA | CCSA-TSD-DS-31.115 | 6.5.0 | Published | Jun 05 | http://www.ccsa.org.cn/english/tc/files.php?docpath=/ITU-R/M.1457/M.1457-12/DS |
| ETSI | ETSI TS 131 115 | 6.5.0 | Published | Jun 05 | http://www.etsi.org/deliver/etsi_ts/131100_131199/131115/06.05.00_60/ |
| Release 7 | | | | | |
| ARIB | ARIB STD-T63-31.115 | 7.3.0 | Approved | Jul 13 | http://www.arib.or.jp/english/html/overview/doc/STD-T63v10_00/2_T63/ARIB-STD-T63/Rel7/31/A31115-730.pdf |
| ATIS | ATIS.3GPP.31.115V730-2014 | 7.3.0 | Approved | May 14 | https://www.atis.org/docstore/default.aspx |
| CCSA | CCSA-TSD-DS-31.115 | 7.2.0 | Published | Mar 10 | http://www.ccsa.org.cn/english/tc/files.php?docpath=/ITU-R/M.1457/M.1457-12/DS |
| ETSI | ETSI TS 131 115 | 7.3.0 | Published | Apr 13 | http://www.etsi.org/deliver/etsi_ts/131100_131199/131115/07.03.00_60/ |
| Release 8 | | | | | |
| ARIB | ARIB STD-T63-31.115 | 8.2.0 | Approved | Jul 13 | http://www.arib.or.jp/english/html/overview/doc/STD-T63v10_00/2_T63/ARIB-STD-T63/Rel8/31/A31115-820.pdf |
| ATIS | ATIS.3GPP.31.115V820-2014 | 8.2.0 | Approved | May 14 | https://www.atis.org/docstore/default.aspx |
| CCSA | CCSA-TSD-DS-31.115 | 8.1.0 | Published | Mar 10 | http://www.ccsa.org.cn/english/tc/files.php?docpath=/ITU-R/M.1457/M.1457-12/DS |
| ETSI | ETSI TS 131 115 | 8.2.0 | Published | Mar 12 | http://www.etsi.org/deliver/etsi_ts/131100_131199/131115/08.02.00_60/ |
| Release 9 | | | | | |
| ARIB | ARIB STD-T63-31.115 | 9.1.0 | Approved | Jul 13 | http://www.arib.or.jp/english/html/overview/doc/STD-T63v10_00/2_T63/ARIB-STD-T63/Rel9/31/A31115-910.pdf |
| ATIS | ATIS.3GPP.31.115V910-2014 | 9.1.0 | Approved | May 14 | https://www.atis.org/docstore/default.aspx |
| CCSA | CCSA-TSD-DS-31.115 | 9.0.0 | Published | Mar 10 | http://www.ccsa.org.cn/english/tc/files.php?docpath=/ITU-R/M.1457/M.1457-12/DS |
| ETSI | ETSI TS 131 115 | 9.1.0 | Published | Mar 12 | http://www.etsi.org/deliver/etsi_ts/131100_131199/131115/09.01.00_60/ |
| TTA | TTAT.3G-31.115(R9-9.0.0) | 9.0.0 | Approved | Jul 10 | http://www.tta.or.kr/data/ttasDown.jsp?where=14688&pk_num=TTAT.3G-31.115(R9-9.0.0) |
| Release 10 | | | | | |
| ARIB | ARIB STD-T63-31.115 | 10.1.0 | Approved | Jul 13 | http://www.arib.or.jp/english/html/overview/doc/STD-T63v10_00/2_T63/ARIB-STD-T63/Rel10/31/A31115-a10.pdf |
| ATIS | ATIS.3GPP.31.115V1010-2014 | 10.1.0 | Approved | May 14 | https://www.atis.org/docstore/default.aspx |
| CCSA | CCSA-TSD-DS-31.115 | 10.0.0 | Published | Jun 12 | http://www.ccsa.org.cn/english/tc/files.php?docpath=/ITU-R/M.1457/M.1457-12/DS |
| ETSI | ETSI TS 131 115 | 10.1.0 | Published | Mar 12 | http://www.etsi.org/deliver/etsi_ts/131100_131199/131115/10.01.00_60/ |
| TTA | TTAT.3G-31.115(R10-10.1.0) | 10.1.0 | Approved | Aug 12 | http://www.tta.or.kr/data/ttasDown.jsp?where=14688&pk_num=TTAT.3G-31.115(R10-10.1.0) |
| Release 11 | | | | | |
| ARIB | ARIB STD-T63-31.115 | 11.0.0 | Approved | Jul 13 | http://www.arib.or.jp/english/html/overview/doc/STD-T63v10_00/2_T63/ARIB-STD-T63/Rel11/31/A31115-b00.pdf |
| ATIS | ATIS.3GPP.31.115V1100-2014 | 11.0.0 | Approved | May 14 | https://www.atis.org/docstore/default.aspx |
| CCSA | CCSA-TSD-DS-31.115 | 11.0.1 | Published | Jun 14 | http://www.ccsa.org.cn/english/tc/files.php?docpath=/ITU-R/M.1457/M.1457-12/DS |
| ETSI | ETSI TS 131 115 | 11.0.0 | Published | Oct 12 | http://www.etsi.org/deliver/etsi_ts/131100_131199/131115/11.00.00_60/ |
| TTA | TTAT.3G-31.115(R11-11.0.0) | 11.0.0 | published | Aug 13 | http://www.tta.or.kr/data/ttasDown.jsp?where=14688&pk_num=TTAT.3G-31.115(R11-11.0.0) |

5.1.2.12.183 TS 31.116

Remote APDU Structure for (U)SIM Toolkit applications

This document defines the remote management of files and applets on the SIM/USIM/ISIM.

It describes the APDU format for remote management. Furthermore the document specifies:

- a set of commands coded according to this APDU structure and used in the remote file management on the SIM/USIM specified in TS 51.011, TS 31.101, TS 31.102, TS 31.103;

– a set of commands coded according to this APDU structure and used in the remote applet management on the SIM/USIM. This is based on ETSI TS 102 226.

The remote APDU structure for SIM/USIM/ISIM applications complies with the one defined in ETSI TS 102 226. This document only contains additional requirements or explicit limitations for SIM/USIM/ISIM applications.

| SDO (2) | Document No. | Version | Status | Issued date | Location (1) |
|-------------------|----------------------------|---------|-----------|-------------|---|
| Release 6 | | | | | |
| ARIB | ARIB STD-T63-31.116 | 6.8.0 | Approved | Jul 13 | http://www.arib.or.jp/english/html/overview/doc/STD-T63v10_00/2_T63/ARIB-STD-T63/Rel6/31/A31116-680.pdf |
| ATIS | ATIS.3GPP.31.116V680-2006 | 6.8.0 | Approved | Apr 06 | https://www.atis.org/docstore/default.aspx |
| CCSA | CCSA-TSD-DS-31.116 | 6.8.0 | Published | Jun 05 | http://www.ccsa.org.cn/english/tc/files.php?docpath=/ITU-R/M.1457/M.1457-12/DS |
| ETSI | ETSI TS 131 116 | 6.8.0 | Published | Jun 05 | http://www.etsi.org/deliver/etsi_ts/131100_131199/131116/06.08.00_60/ |
| Release 7 | | | | | |
| ARIB | ARIB STD-T63-31.116 | 7.1.0 | Approved | Jul 13 | http://www.arib.or.jp/english/html/overview/doc/STD-T63v10_00/2_T63/ARIB-STD-T63/Rel7/31/A31116-710.pdf |
| ATIS | ATIS.3GPP.31.116V710-2010 | 7.1.0 | Approved | Jul 10 | https://www.atis.org/docstore/default.aspx |
| CCSA | CCSA-TSD-DS-31.116 | 7.1.0 | Published | Mar 10 | http://www.ccsa.org.cn/english/tc/files.php?docpath=/ITU-R/M.1457/M.1457-12/DS |
| ETSI | ETSI TS 131 116 | 7.1.0 | Published | Jan 10 | http://www.etsi.org/deliver/etsi_ts/131100_131199/131116/07.01.00_60/ |
| Release 8 | | | | | |
| ARIB | ARIB STD-T63-31.116 | 8.2.0 | Approved | Jul 13 | http://www.arib.or.jp/english/html/overview/doc/STD-T63v10_00/2_T63/ARIB-STD-T63/Rel8/31/A31116-820.pdf |
| ATIS | ATIS.3GPP.31.116V820-2014 | 8.2.0 | Approved | May 14 | https://www.atis.org/docstore/default.aspx |
| CCSA | CCSA-TSD-DS-31.116 | 8.1.0 | Published | Mar 10 | http://www.ccsa.org.cn/english/tc/files.php?docpath=/ITU-R/M.1457/M.1457-12/DS |
| ETSI | ETSI TS 131 116 | 8.2.0 | Published | Mar 12 | http://www.etsi.org/deliver/etsi_ts/131100_131199/131116/08.02.00_60/ |
| Release 9 | | | | | |
| ARIB | ARIB STD-T63-31.116 | 9.3.0 | Approved | Jul 13 | http://www.arib.or.jp/english/html/overview/doc/STD-T63v10_00/2_T63/ARIB-STD-T63/Rel9/31/A31116-930.pdf |
| ATIS | ATIS.3GPP.31.116V930-2014 | 9.3.0 | Approved | May 14 | https://www.atis.org/docstore/default.aspx |
| CCSA | CCSA-TSD-DS-31.116 | 9.1.0 | Published | Jun 12 | http://www.ccsa.org.cn/english/tc/files.php?docpath=/ITU-R/M.1457/M.1457-12/DS |
| ETSI | ETSI TS 131 116 | 9.3.0 | Published | Oct 12 | http://www.etsi.org/deliver/etsi_ts/131100_131199/131116/09.03.00_60/ |
| TTA | TTAT.3G-31.116(R9-9.0.0) | 9.0.0 | Approved | Jul 10 | http://www.tta.or.kr/data/ttasDown.jsp?where=14688&pk_num=TTAT.3G-31.116(R9-9.0.0) |
| Release 10 | | | | | |
| ARIB | ARIB STD-T63-31.116 | 10.3.0 | Approved | Jul 13 | http://www.arib.or.jp/english/html/overview/doc/STD-T63v10_00/2_T63/ARIB-STD-T63/Rel10/31/A31116-a30.pdf |
| ATIS | ATIS.3GPP.31.116V1030-2014 | 10.3.0 | Approved | May 14 | https://www.atis.org/docstore/default.aspx |
| CCSA | CCSA-TSD-DS-31.116 | 10.1.0 | Published | Jun 12 | http://www.ccsa.org.cn/english/tc/files.php?docpath=/ITU-R/M.1457/M.1457-12/DS |
| ETSI | ETSI TS 131 116 | 10.3.0 | Published | Oct 12 | http://www.etsi.org/deliver/etsi_ts/131100_131199/131116/10.03.00_60/ |
| TTA | TTAT.3G-31.116(R10-10.2.0) | 10.2.0 | Approved | Aug 12 | http://www.tta.or.kr/data/ttasDown.jsp?where=14688&pk_num=TTAT.3G-31.116(R10-10.2.0) |
| Release 11 | | | | | |
| ARIB | ARIB STD-T63-31.116 | 11.0.0 | Approved | Jul 13 | http://www.arib.or.jp/english/html/overview/doc/STD-T63v10_00/2_T63/ARIB-STD-T63/Rel11/31/A31116-b00.pdf |
| ATIS | ATIS.3GPP.31.116V1100-2014 | 11.0.0 | Approved | May 14 | https://www.atis.org/docstore/default.aspx |
| CCSA | CCSA-TSD-DS-31.116 | 11.1.0 | Published | Jun 14 | http://www.ccsa.org.cn/english/tc/files.php?docpath=/ITU-R/M.1457/M.1457-12/DS |
| ETSI | ETSI TS 131 116 | 11.0.0 | Published | Oct 12 | http://www.etsi.org/deliver/etsi_ts/131100_131199/131116/11.00.00_60/ |
| TTA | TTAT.3G-31.116(R11-11.0.0) | 11.0.0 | published | Aug 13 | http://www.tta.or.kr/data/ttasDown.jsp?where=14688&pk_num=TTAT.3G-31.116(R11-11.0.0) |

5.1.2.12.184 TS 31.130**(U)SIM Application Programming Interface (API); (U)SIM API for Java Card**

This document defines the (U)SIM Application Programming Interface extending the UICC API for Java Card, ETSI TS 102 241. This API allows the development of a (U)SAT application running together with a (U)SIM application and using GSM/3G network features.

| SDO (2) | Document No. | Version | Status | Issued date | Location (1) |
|-------------------|----------------------------|---------|-----------|-------------|---|
| Release 6 | | | | | |
| ARIB | ARIB STD-T63-31.130 | 6.7.0 | Approved | Jul 13 | http://www.arib.or.jp/english/html/overview/doc/STD-T63v10_00/2_T63/ARIB-STD-T63/Rel6/31/A31130-670.pdf |
| ATIS | ATIS.3GPP.31.130V670-2010 | 6.7.0 | Approved | Jul 10 | https://www.atis.org/docstore/default.aspx |
| CCSA | CCSA-TSD-DS-31.130 | 6.7.0 | Published | Mar 10 | http://www.ccsa.org.cn/english/tc/files.php?docpath=/ITU-R/M.1457/M.1457-12/DS |
| ETSI | ETSI TS 131 130 | 6.7.0 | Published | Oct 09 | http://www.etsi.org/deliver/etsi_ts/131100_131199/131130/06.07.00_60/ |
| TTA | TTAT.3G-31.130(R6-6.6.0) | 6.6.0 | Approved | Dec 07 | http://www.tta.or.kr/data/ttasDown.jsp?where=14688&pk_num=TTAT.3G-31.130(R6-6.6.0) |
| Release 7 | | | | | |
| ARIB | ARIB STD-T63-31.130 | 7.9.0 | Approved | Jul 13 | http://www.arib.or.jp/english/html/overview/doc/STD-T63v10_00/2_T63/ARIB-STD-T63/Rel7/31/A31130-790.pdf |
| ATIS | ATIS.3GPP.31.130V790-2010 | 7.9.0 | Approved | Jul 10 | https://www.atis.org/docstore/default.aspx |
| CCSA | CCSA-TSD-DS-31.130 | 7.9.0 | Published | Mar 10 | http://www.ccsa.org.cn/english/tc/files.php?docpath=/ITU-R/M.1457/M.1457-12/DS |
| ETSI | ETSI TS 131 130 | 7.9.0 | Published | Feb 10 | http://www.etsi.org/deliver/etsi_ts/131100_131199/131130/07.09.00_60/ |
| TTA | TTAT.3G-31.130(R7-7.7.0) | 7.7.0 | Approved | Oct 08 | http://www.tta.or.kr/data/ttasDown.jsp?where=14688&pk_num=TTAT.3G-31.130(R7-7.7.0) |
| Release 8 | | | | | |
| ARIB | ARIB STD-T63-31.130 | 8.3.0 | Approved | Jul 13 | http://www.arib.or.jp/english/html/overview/doc/STD-T63v10_00/2_T63/ARIB-STD-T63/Rel8/31/A31130-830.pdf |
| ATIS | ATIS.3GPP.31.130V830-2010 | 8.3.0 | Approved | Jul 10 | https://www.atis.org/docstore/default.aspx |
| CCSA | CCSA-TSD-DS-31.130 | 8.3.0 | Published | Mar 10 | http://www.ccsa.org.cn/english/tc/files.php?docpath=/ITU-R/M.1457/M.1457-12/DS |
| ETSI | ETSI TS 131 130 | 8.3.0 | Published | Feb 10 | http://www.etsi.org/deliver/etsi_ts/131100_131199/131130/08.03.00_60/ |
| Release 9 | | | | | |
| ARIB | ARIB STD-T63-31.130 | 9.4.0 | Approved | Jul 13 | http://www.arib.or.jp/english/html/overview/doc/STD-T63v10_00/2_T63/ARIB-STD-T63/Rel9/31/A31130-940.pdf |
| ATIS | ATIS.3GPP.31.130V940-2014 | 9.4.0 | Approved | May 14 | https://www.atis.org/docstore/default.aspx |
| CCSA | CCSA-TSD-DS-31.130 | 9.3.0 | Published | Jun 12 | http://www.ccsa.org.cn/english/tc/files.php?docpath=/ITU-R/M.1457/M.1457-12/DS |
| ETSI | ETSI TS 131 130 | 9.4.0 | Published | Apr 12 | http://www.etsi.org/deliver/etsi_ts/131100_131199/131130/09.04.00_60/ |
| TTA | TTAT.3G-31.130(R9-9.1.0) | 9.1.0 | Approved | Jul 10 | http://www.tta.or.kr/data/ttasDown.jsp?where=14688&pk_num=TTAT.3G-31.130(R9-9.1.0) |
| Release 10 | | | | | |
| ARIB | ARIB STD-T63-31.130 | 10.4.0 | Approved | Jul 13 | http://www.arib.or.jp/english/html/overview/doc/STD-T63v10_00/2_T63/ARIB-STD-T63/Rel10/31/A31130-a40.pdf |
| ATIS | ATIS.3GPP.31.130V1040-2014 | 10.4.0 | Approved | May 14 | https://www.atis.org/docstore/default.aspx |
| CCSA | CCSA-TSD-DS-31.130 | 10.2.0 | Published | Jun 12 | http://www.ccsa.org.cn/english/tc/files.php?docpath=/ITU-R/M.1457/M.1457-12/DS |
| ETSI | ETSI TS 131 130 | 10.4.0 | Published | Aug 14 | http://www.etsi.org/deliver/etsi_ts/131100_131199/131130/10.04.00_60/ |
| TTA | TTAT.3G-31.130(R10-10.3.1) | 10.3.1 | Approved | Aug 12 | http://www.tta.or.kr/data/ttasDown.jsp?where=14688&pk_num=TTAT.3G-31.130(R10-10.3.1) |
| Release 11 | | | | | |
| ARIB | ARIB STD-T63-31.130 | 11.0.0 | Approved | Jul 13 | http://www.arib.or.jp/english/html/overview/doc/STD-T63v10_00/2_T63/ARIB-STD-T63/Rel11/31/A31130-b00.pdf |
| ATIS | ATIS.3GPP.31.130V1100-2014 | 11.0.0 | Approved | May 14 | https://www.atis.org/docstore/default.aspx |
| CCSA | CCSA-TSD-DS-31.130 | 11.0.0 | Published | Jun 14 | http://www.ccsa.org.cn/english/tc/files.php?docpath=/ITU-R/M.1457/M.1457-12/DS |
| ETSI | ETSI TS 131 130 | 11.0.0 | Published | Apr 13 | http://www.etsi.org/deliver/etsi_ts/131100_131199/131130/11.00.00_60/ |
| TTA | TTAT.3G-31.130(R11-11.0.0) | 11.0.0 | published | Aug 13 | http://www.tta.or.kr/data/ttasDown.jsp?where=14688&pk_num=TTAT.3G-31.130(R11-11.0.0) |

5.1.2.12.185 TS 31.133

IP Multimedia Services Identity Module (ISIM) Application Programming Interface (API); ISIM API for Java Card

This document defines the ISIM Application Programming Interface extending the UICC API for Java Card, ETSI TS 102 241. This API allows the development of an application running together with a ISIM application.

| SDO (2) | Document No. | Version | Status | Issued date | Location (1) |
|-------------------|----------------------------|---------|-----------|-------------|---|
| Release 7 | | | | | |
| ARIB | ARIB STD-T63-31.133 | 7.4.0 | Approved | Jul 13 | http://www.arib.or.jp/english/html/overview/doc/STD-T63v10_40/2_T63/ARIB-STD-T63/Rel7/31/A31133-740.pdf |
| CCSA | CCSA-TSD-DS-31.133 | 7.4.0 | Published | Jun 12 | http://www.ccsa.org.cn/english/tc/files.php?docpath=/ITU-R/M.1457/M.1457-12/DS |
| ETSI | ETSI TS 131 133 | 7.4.0 | Published | May 11 | http://www.etsi.org/deliver/etsi_ts/131100_131199/131133/07.04.00_60/ |
| Release 8 | | | | | |
| ARIB | ARIB STD-T63-31.133 | 8.2.0 | Approved | Jul 13 | http://www.arib.or.jp/english/html/overview/doc/STD-T63v10_40/2_T63/ARIB-STD-T63/Rel8/31/A31133-820.pdf |
| ATIS | ATIS.3GPP.31.133V820-2012 | 8.2.0 | Approved | Jul 12 | https://www.atis.org/docstore/default.aspx |
| CCSA | CCSA-TSD-DS-31.133 | 8.2.0 | Published | Jun 12 | http://www.ccsa.org.cn/english/tc/files.php?docpath=/ITU-R/M.1457/M.1457-12/DS |
| ETSI | ETSI TS 131 133 | 8.2.0 | Published | May 11 | http://www.etsi.org/deliver/etsi_ts/131100_131199/131133/08.02.00_60/ |
| Release 9 | | | | | |
| ARIB | ARIB STD-T63-31.133 | 9.2.0 | Approved | Jul 13 | http://www.arib.or.jp/english/html/overview/doc/STD-T63v10_40/2_T63/ARIB-STD-T63/Rel9/31/A31133-920.pdf |
| ATIS | ATIS.3GPP.31.133V920-2012 | 9.2.0 | Approved | Jul 12 | https://www.atis.org/docstore/default.aspx |
| CCSA | CCSA-TSD-DS-31.133 | 9.2.0 | Published | Jun 12 | http://www.ccsa.org.cn/english/tc/files.php?docpath=/ITU-R/M.1457/M.1457-12/DS |
| ETSI | ETSI TS 131 133 | 9.2.0 | Published | May 11 | http://www.etsi.org/deliver/etsi_ts/131100_131199/131133/09.02.00_60/ |
| TTA | TTAT.3G-31.133(R9-9.0.0) | 9.0.0 | Approved | Jul 10 | http://www.tta.or.kr/data/ttasDown.jsp?where=14688&pk_num=TTAT.3G-31.133(R9-9.0.0) |
| Release 10 | | | | | |
| ARIB | ARIB STD-T63-31.133 | 10.0.0 | Approved | Jul 13 | http://www.arib.or.jp/english/html/overview/doc/STD-T63v10_30/2_T63/ARIB-STD-T63/Rel10/31/A31133-a00.pdf |
| ATIS | ATIS.3GPP.31.133V1000-2012 | 10.0.0 | Approved | Jul 12 | https://www.atis.org/docstore/default.aspx |
| CCSA | CCSA-TSD-DS-31.133 | 10.0.0 | Published | Jun 12 | http://www.ccsa.org.cn/english/tc/files.php?docpath=/ITU-R/M.1457/M.1457-12/DS |
| ETSI | ETSI TS 131 133 | 10.0.0 | Published | May 11 | http://www.etsi.org/deliver/etsi_ts/131100_131199/131133/10.00.00_60/ |
| TTA | TTAT.3G-31.133(R10-10.0.0) | 10.0.0 | Approved | Apr 12 | http://www.tta.or.kr/data/ttasDown.jsp?where=14688&pk_num=TTAT.3G-31.133(R10-10.0.0) |
| Release 11 | | | | | |
| ARIB | ARIB STD-T63-31.133 | 11.0.0 | Approved | Jul 13 | http://www.arib.or.jp/english/html/overview/doc/STD-T63v10_00/2_T63/ARIB-STD-T63/Rel11/31/A31133-b00.pdf |
| ATIS | ATIS.3GPP.31.133V1100-2014 | 11.0.0 | Approved | May 14 | https://www.atis.org/docstore/default.aspx |
| CCSA | CCSA-TSD-DS-31.133 | 11.0.0 | Published | Jun 14 | http://www.ccsa.org.cn/english/tc/files.php?docpath=/ITU-R/M.1457/M.1457-12/DS |
| ETSI | ETSI TS 131 133 | 11.0.0 | Published | Nov 12 | http://www.etsi.org/deliver/etsi_ts/131100_131199/131133/11.00.00_60/ |
| TTA | TTAT.3G-31.133(R11-11.0.0) | 11.0.0 | published | Aug 13 | http://www.tta.or.kr/data/ttasDown.jsp?where=14688&pk_num=TTAT.3G-31.133(R11-11.0.0) |

5.1.2.12.186 TS 31.220

Characteristics of the Contact Manager for 3GPP UICC applications

This document defines the Contact Manager for 3GPP UICC applications based on OMA DS. It specifies the external interface between the Contact Manager Server in the UICC and the Contact Manager External Client in the ME.

| SDO (2) | Document No. | Version | Status | Issued date | Location (1) |
|---------|--------------|---------|--------|-------------|--------------|
|---------|--------------|---------|--------|-------------|--------------|

Release 8

| | | | | | |
|------|---------------------------|-------|-----------|--------|---|
| ARIB | ARIB STD-T63-31.220 | 8.2.0 | Approved | Jul 13 | http://www.arib.or.jp/english/html/overview/doc/STD-T63v10_00/2_T63/ARIB-STD-T63/Rel8/31/A31220-820.pdf |
| ATIS | ATIS.3GPP.31.220V820-2010 | 8.2.0 | Approved | Jul 10 | https://www.atis.org/docstore/default.aspx |
| CCSA | CCSA-TSD-DS-31.220 | 8.2.0 | Published | Jun 12 | http://www.ccsa.org.cn/english/tc/files.php?docpath=/ITU-R/M.1457/M.1457-12/DS |
| ETSI | ETSI TS 131 220 | 8.2.0 | Published | Apr 10 | http://www.etsi.org/deliver/etsi_ts/131200_131299/131220/08.02.00_60/ |

Release 9

| | | | | | |
|------|---------------------------|-------|-----------|--------|---|
| ARIB | ARIB STD-T63-31.220 | 9.1.0 | Approved | Jul 13 | http://www.arib.or.jp/english/html/overview/doc/STD-T63v10_00/2_T63/ARIB-STD-T63/Rel9/31/A31220-910.pdf |
| ATIS | ATIS.3GPP.31.220V910-2010 | 9.1.0 | Approved | Jul 10 | https://www.atis.org/docstore/default.aspx |
| CCSA | CCSA-TSD-DS-31.220 | 9.1.0 | Published | Jun 12 | http://www.ccsa.org.cn/english/tc/files.php?docpath=/ITU-R/M.1457/M.1457-12/DS |
| ETSI | ETSI TS 131 220 | 9.1.0 | Published | Apr 10 | http://www.etsi.org/deliver/etsi_ts/131200_131299/131220/09.01.00_60/ |
| TTA | TTAT.3G-31.220(R9-9.1.0) | 9.1.0 | Approved | Jul 10 | http://www.tta.or.kr/data/ttasDown.jsp?where=14688&pk_num=TTAT.3G-31.220(R9-9.1.0) |

Release 10

| | | | | | |
|------|----------------------------|--------|-----------|--------|---|
| ARIB | ARIB STD-T63-31.220 | 10.0.0 | Approved | Jul 13 | http://www.arib.or.jp/english/html/overview/doc/STD-T63v10_30/2_T63/ARIB-STD-T63/Rel10/31/A31220-a00.pdf |
| ATIS | ATIS.3GPP.31.220V1000-2012 | 10.0.0 | Approved | Jul 12 | https://www.atis.org/docstore/default.aspx |
| CCSA | CCSA-TSD-DS-31.220 | 10.0.0 | Published | Jun 12 | http://www.ccsa.org.cn/english/tc/files.php?docpath=/ITU-R/M.1457/M.1457-12/DS |
| ETSI | ETSI TS 131 220 | 10.0.0 | Published | May 11 | http://www.etsi.org/deliver/etsi_ts/131200_131299/131220/10.00.00_60/ |
| TTA | TTAT.3G-31.220(R10-10.0.0) | 10.0.0 | Approved | Apr 12 | http://www.tta.or.kr/data/ttasDown.jsp?where=14688&pk_num=TTAT.3G-31.220(R10-10.0.0) |

Release 11

| | | | | | |
|------|----------------------------|--------|-----------|--------|---|
| ARIB | ARIB STD-T63-31.220 | 11.0.0 | Approved | Jul 13 | http://www.arib.or.jp/english/html/overview/doc/STD-T63v10_00/2_T63/ARIB-STD-T63/Rel11/31/A31220-b00.pdf |
| ATIS | ATIS.3GPP.31.220V1100-2014 | 11.0.0 | Approved | May 14 | https://www.atis.org/docstore/default.aspx |
| CCSA | CCSA-TSD-DS-31.220 | 11.0.0 | Published | Jun 14 | http://www.ccsa.org.cn/english/tc/files.php?docpath=/ITU-R/M.1457/M.1457-12/DS |
| ETSI | ETSI TS 131 220 | 11.0.0 | Published | Oct 12 | http://www.etsi.org/deliver/etsi_ts/131200_131299/131220/11.00.00_60/ |
| TTA | TTAT.3G-31.220(R11-11.0.0) | 11.0.0 | published | Aug 13 | http://www.tta.or.kr/data/ttasDown.jsp?where=14688&pk_num=TTAT.3G-31.220(R11-11.0.0) |

5.1.2.12.187 TS 31.221**Contact Manager Application Programming Interface (API); Contact Manager API for Java Card**

This document defines the internal interface characteristics of the Contact Manager for 3GPP UICC applications.

The internal interface between the Contact Manager Server application on the UICC and the Contact Manager Client application on the UICC enables Java Card platform based applets to invoke and register to the Contact Manager Server services. In particular, the Contact Manager Java Card based API provides methods to:

- Read/Update/Create/Delete contact(s) in the Contact Manager Server;
- Manage group of contacts in the Contact Manager Server;
- Search for a contact in the Contact Manager Server storage;
- manage the contacts structure;
- Register/Un-register the application to pre-defined events (e.g. application to be notified when contacts are modified in the Contact Manager Server).

| SDO (2) | Document No. | Version | Status | Issued date | Location (1) |
|-------------------|----------------------------|---------|-----------|-------------|---|
| Release 8 | | | | | |
| ARIB | ARIB STD-T63-31.221 | 8.1.0 | Approved | Jul 13 | http://www.arib.or.jp/english/html/overview/doc/STD-T63v10_40/2_T63/ARIB-STD-T63/Rel8/31/A31221-810.pdf |
| CCSA | CCSA-TSD-DS-31.221 | 8.1.0 | Published | Jun 12 | http://www.ccsa.org.cn/english/tc/files.php?docpath=/ITU-R/M.1457/M.1457-12/DS |
| ETSI | ETSI TS 131 221 | 8.1.0 | Published | Oct 10 | http://www.etsi.org/deliver/etsi_ts/131200_131299/131221/08.01.00_60/ |
| Release 9 | | | | | |
| ARIB | ARIB STD-T63-31.221 | 9.1.0 | Approved | Jul 13 | http://www.arib.or.jp/english/html/overview/doc/STD-T63v10_40/2_T63/ARIB-STD-T63/Rel9/31/A31221-910.pdf |
| ATIS | ATIS.3GPP.31.221V910-2012 | 9.1.0 | Approved | Jul 12 | https://www.atis.org/docstore/default.aspx |
| CCSA | CCSA-TSD-DS-31.221 | 9.1.0 | Published | Jun 12 | http://www.ccsa.org.cn/english/tc/files.php?docpath=/ITU-R/M.1457/M.1457-12/DS |
| ETSI | ETSI TS 131 221 | 9.1.0 | Published | Jan 11 | http://www.etsi.org/deliver/etsi_ts/131200_131299/131221/09.01.00_60/ |
| TTA | TTAT.3G-31.221(R9-9.0.0) | 9.0.0 | Approved | Jul 10 | http://www.tta.or.kr/data/ttasDown.jsp?where=14688&pk_num=TTAT.3G-31.221(R9-9.0.0) |
| Release 10 | | | | | |
| ARIB | ARIB STD-T63-31.221 | 10.0.0 | Approved | Jul 13 | http://www.arib.or.jp/english/html/overview/doc/STD-T63v10_30/2_T63/ARIB-STD-T63/Rel10/31/A31221-a00.pdf |
| ATIS | ATIS.3GPP.31.221V1000-2012 | 10.0.0 | Approved | Jul 12 | https://www.atis.org/docstore/default.aspx |
| CCSA | CCSA-TSD-DS-31.221 | 10.0.0 | Published | Jun 12 | http://www.ccsa.org.cn/english/tc/files.php?docpath=/ITU-R/M.1457/M.1457-12/DS |
| ETSI | ETSI TS 131 221 | 10.0.0 | Published | May 11 | http://www.etsi.org/deliver/etsi_ts/131200_131299/131221/10.00.00_60/ |
| TTA | TTAT.3G-31.221(R10-10.0.0) | 10.0.0 | Approved | Apr 12 | http://www.tta.or.kr/data/ttasDown.jsp?where=14688&pk_num=TTAT.3G-31.221(R10-10.0.0) |
| Release 11 | | | | | |
| ARIB | ARIB STD-T63-31.221 | 11.0.0 | Approved | Jul 13 | http://www.arib.or.jp/english/html/overview/doc/STD-T63v10_00/2_T63/ARIB-STD-T63/Rel11/31/A31221-b00.pdf |
| ATIS | ATIS.3GPP.31.221V1100-2014 | 11.0.0 | Approved | May 14 | https://www.atis.org/docstore/default.aspx |
| CCSA | CCSA-TSD-DS-31.221 | 11.0.0 | Published | Jun 14 | http://www.ccsa.org.cn/english/tc/files.php?docpath=/ITU-R/M.1457/M.1457-12/DS |
| ETSI | ETSI TS 131 221 | 11.0.0 | Published | Nov 12 | http://www.etsi.org/deliver/etsi_ts/131200_131299/131221/11.00.00_60/ |
| TTA | TTAT.3G-31.221(R11-11.0.0) | 11.0.0 | published | Aug 13 | http://www.tta.or.kr/data/ttasDown.jsp?where=14688&pk_num=TTAT.3G-31.221(R11-11.0.0) |

5.1.2.13 System aspects

5.1.2.13.1 TS 21.101

Technical Specifications and Technical Reports for a UTRAN-based 3GPP system

The listed Specifications are required to build a system based on UTRAN radio technology.

| SDO (2) | Document No. | Version | Status | Issued date | Location (1) |
|-------------------|----------------------------|---------|-----------|-------------|---|
| Release 99 | | | | | |
| ARIB | ARIB STD-T63-21.101 | 3.18.0 | Approved | Jul 13 | http://www.arib.or.jp/english/html/overview/doc/STD-T63v10_00/2_T63/ARIB-STD-T63/R99/21/A21101-3i0.pdf |
| CCSA | CCSA-TSD-DS-21.101 | 3.18.0 | Published | Jun 12 | http://www.ccsa.org.cn/english/tc/files.php?docpath=/ITU-R/M.1457/M.1457-12/DS |
| ETSI | ETSI TS 121 101 | 3.18.0 | Published | Jan 10 | http://www.etsi.org/deliver/etsi_ts/121100_121199/121101/03.18.00_60/ |
| TTC | TS-3GA-21.101(R99)v3.18.0 | 3.18.0 | Approved | Apr 10 | http://www.ttc.or.jp/j/document_list/free/3gpps2010/TS/TS-3GA-21.101(R99)v3.18.0.pdf |
| Release 4 | | | | | |
| ARIB | ARIB STD-T63-21.101 | 4.15.0 | Approved | Jul 13 | http://www.arib.or.jp/english/html/overview/doc/STD-T63v10_00/2_T63/ARIB-STD-T63/Rel4/21/A21101-4f0.pdf |
| CCSA | CCSA-TSD-DS-21.101 | 4.15.0 | Published | Jun 12 | http://www.ccsa.org.cn/english/tc/files.php?docpath=/ITU-R/M.1457/M.1457-12/DS |
| ETSI | ETSI TS 121 101 | 4.15.0 | Published | Jan 10 | http://www.etsi.org/deliver/etsi_ts/121100_121199/121101/04.15.00_60/ |
| TTC | TS-3GA-21.101(Rel4)v4.15.0 | 4.15.0 | Approved | Apr 10 | http://www.ttc.or.jp/j/document_list/free/3gpps2010/TS/TS-3GA-21.101(Rel4)v4.15.0.pdf |

Release 5

| | | | | | |
|------|----------------------------|--------|-----------|--------|---|
| ARIB | ARIB STD-T63-21.101 | 5.14.0 | Approved | Jul 13 | http://www.arib.or.jp/english/html/overview/doc/STD-T63v10_00/2_T63/ARIB-STD-T63/Rel5/21/A21101-5e0.pdf |
| CCSA | CCSA-TSD-DS-21.101 | 5.14.0 | Published | Jun 12 | http://www.ccsa.org.cn/english/tc/files.php?docpath=/ITU-R/M.1457/M.1457-12/DS |
| ETSI | ETSI TS 121 101 | 5.14.0 | Published | Jan 10 | http://www.etsi.org/deliver/etsi_ts/121100_121199/121101/05.14.00_60/ |
| TTC | TS-3GA-21.101(Rel5)v5.14.0 | 5.14.0 | Approved | Apr 10 | http://www.ttc.or.jp/j/document_list/free/3gpps2010/TS/TS-3GA-21.101(Rel5)v5.14.0.pdf |

Release 6

| | | | | | |
|------|----------------------------|--------|-----------|--------|---|
| ARIB | ARIB STD-T63-21.101 | 6.10.0 | Approved | Jul 13 | http://www.arib.or.jp/english/html/overview/doc/STD-T63v10_00/2_T63/ARIB-STD-T63/Rel6/21/A21101-6a0.pdf |
| CCSA | CCSA-TSD-DS-21.101 | 6.10.0 | Published | Jun 12 | http://www.ccsa.org.cn/english/tc/files.php?docpath=/ITU-R/M.1457/M.1457-12/DS |
| ETSI | ETSI TS 121 101 | 6.10.0 | Published | Jan 10 | http://www.etsi.org/deliver/etsi_ts/121100_121199/121101/06.10.00_60/ |
| TTC | TS-3GA-21.101(Rel6)v6.10.0 | 6.10.0 | Approved | Apr 10 | http://www.ttc.or.jp/j/document_list/free/3gpps2010/TS/TS-3GA-21.101(Rel6)v6.10.0.pdf |

Release 7

| | | | | | |
|------|---------------------------|-------|-----------|--------|---|
| ARIB | ARIB STD-T63-21.101 | 7.5.0 | Approved | Jul 13 | http://www.arib.or.jp/english/html/overview/doc/STD-T63v10_00/2_T63/ARIB-STD-T63/Rel7/21/A21101-750.pdf |
| CCSA | CCSA-TSD-DS-21.101 | 7.5.0 | Published | Jun 12 | http://www.ccsa.org.cn/english/tc/files.php?docpath=/ITU-R/M.1457/M.1457-12/DS |
| ETSI | ETSI TS 121 101 | 7.5.0 | Published | Jan 10 | http://www.etsi.org/deliver/etsi_ts/121100_121199/121101/07.05.00_60/ |
| TTC | TS-3GA-21.101(Rel7)v7.5.0 | 7.5.0 | Approved | Apr 10 | http://www.ttc.or.jp/j/document_list/free/3gpps2010/TS/TS-3GA-21.101(Rel7)v7.5.0.pdf |

Release 8

| | | | | | |
|------|---------------------------|-------|-----------|--------|---|
| ARIB | ARIB STD-T63-21.101 | 8.4.0 | Approved | Jul 13 | http://www.arib.or.jp/english/html/overview/doc/STD-T63v10_00/2_T63/ARIB-STD-T63/Rel8/21/A21101-840.pdf |
| CCSA | CCSA-TSD-DS-21.101 | 8.3.0 | Published | Jun 12 | http://www.ccsa.org.cn/english/tc/files.php?docpath=/ITU-R/M.1457/M.1457-12/DS |
| ETSI | ETSI TS 121 101 | 8.4.0 | Published | Mar 12 | http://www.etsi.org/deliver/etsi_ts/121100_121199/121101/08.04.00_60/ |
| TTC | TS-3GA-21.101(Rel8)v8.4.0 | 8.4.0 | Approved | Jun 12 | http://www.ttc.or.jp/j/document_list/free/3gpps2012/TS/TS-3GA-21.101(Rel8)v8.4.0.pdf |

Release 9

| | | | | | |
|------|---------------------------|-------|-----------|--------|---|
| ARIB | ARIB STD-T63-21.101 | 9.2.0 | Approved | Jul 13 | http://www.arib.or.jp/english/html/overview/doc/STD-T63v10_00/2_T63/ARIB-STD-T63/Rel9/21/A21101-920.pdf |
| CCSA | CCSA-TSD-DS-21.101 | 9.1.0 | Published | Jun 12 | http://www.ccsa.org.cn/english/tc/files.php?docpath=/ITU-R/M.1457/M.1457-12/DS |
| ETSI | ETSI TS 121 101 | 9.2.0 | Published | Mar 12 | http://www.etsi.org/deliver/etsi_ts/121100_121199/121101/09.02.00_60/ |
| TTC | TS-3GA-21.101(Rel9)v9.2.0 | 9.2.0 | Approved | Jun 12 | http://www.ttc.or.jp/j/document_list/free/3gpps2012/TS/TS-3GA-21.101(Rel9)v9.2.0.pdf |

Release 10

| | | | | | |
|------|-----------------------------|--------|-----------|--------|---|
| ARIB | ARIB STD-T63-21.101 | 10.3.0 | Approved | Jul 13 | http://www.arib.or.jp/english/html/overview/doc/STD-T63v10_00/2_T63/ARIB-STD-T63/Rel10/21/A21101-a30.pdf |
| CCSA | CCSA-TSD-DS-21.101 | 10.1.0 | Published | Jun 12 | http://www.ccsa.org.cn/english/tc/files.php?docpath=/ITU-R/M.1457/M.1457-12/DS |
| ETSI | ETSI TS 121 101 | 10.3.0 | Published | Apr 13 | http://www.etsi.org/deliver/etsi_ts/121100_121199/121101/10.03.00_60/ |
| TTA | TTAT.3G-21.101(R10-10.2.0) | 10.2.0 | Approved | Aug 12 | http://www.tta.or.kr/data/ttasDown.jsp?where=14688&pk_num=TTAT.3G-21.101(R10-10.2.0) |
| TTC | TS-3GA-21.101(Rel10)v10.3.0 | 10.3.0 | Approved | Jun 13 | http://www.ttc.or.jp/j/document_list/free/3gpps2013/TS/TS-3GA-21.101(Rel10)v10.3.0.pdf |

Release 11

| | | | | | |
|------|-----------------------------|--------|-----------|--------|---|
| ARIB | ARIB STD-T63-21.101 | 11.0.0 | Approved | Jul 13 | http://www.arib.or.jp/english/html/overview/doc/STD-T63v10_00/2_T63/ARIB-STD-T63/Rel11/21/A21101-b00.pdf |
| CCSA | CCSA-TSD-DS-21.101 | 11.1.0 | Published | Jun 14 | http://www.ccsa.org.cn/english/tc/files.php?docpath=/ITU-R/M.1457/M.1457-12/DS |
| ETSI | ETSI TS 121 101 | 11.0.0 | Published | Apr 13 | http://www.etsi.org/deliver/etsi_ts/121100_121199/121101/11.00.00_60/ |
| TTA | TTAT.3G-21.101(R11-11.0.0) | 11.0.0 | published | Aug 13 | http://www.tta.or.kr/data/ttasDown.jsp?where=14688&pk_num=TTAT.3G-21.101(R11-11.0.0) |
| TTC | TS-3GA-21.101(Rel11)v11.0.0 | 11.0.0 | Approved | Jun 13 | http://www.ttc.or.jp/j/document_list/free/3gpps2013/TS/TS-3GA-21.101(Rel11)v11.0.0.pdf |

5.1.2.13.2 TS 21.133**3G security; Security threats and requirements**

Detailed security requirements.

| SDO (2) | Document No. | Version | Status | Issued date | Location (1) |
|-------------------|--------------------------|---------|-----------|-------------|---|
| Release 99 | | | | | |
| ARIB | ARIB STD-T63-21.133 | 3.2.0 | Approved | Jul 13 | http://www.arib.or.jp/english/html/overview/doc/STD-T63v10_00/2_T63/ARIB-STD-T63/R99/21/A21133-320.pdf |
| CCSA | CCSA-TSD-DS-21.133 | 3.2.0 | Published | Jan 02 | http://www.ccsa.org.cn/english/tc/files.php?docpath=/ITU-R/M.1457/M.1457-12/DS |
| ETSI | ETSI TS 121 133 | 3.2.0 | Published | Jan 02 | http://www.etsi.org/deliver/etsi_ts/121100_121199/121133/03.02.00_60/ |
| TTA | TTAE.3G-21.133 | 3.1.0 | Approved | Jul 00 | http://www.tta.or.kr/data/ttasDown.jsp?where=14688&pk_num=TTAE.3G-21.133 |
| Release 4 | | | | | |
| ARIB | ARIB STD-T63-21.133 | 4.1.0 | Approved | Jul 13 | http://www.arib.or.jp/english/html/overview/doc/STD-T63v10_00/2_T63/ARIB-STD-T63/Rel4/21/A21133-410.pdf |
| CCSA | CCSA-TSD-DS-21.133 | 4.1.0 | Published | Jan 02 | http://www.ccsa.org.cn/english/tc/files.php?docpath=/ITU-R/M.1457/M.1457-12/DS |
| ETSI | ETSI TS 121 133 | 4.1.0 | Published | Jan 02 | http://www.etsi.org/deliver/etsi_ts/121100_121199/121133/04.01.00_60/ |
| TTA | TTAE.3G-21.133(R4-4.1.0) | 4.1.0 | Approved | Oct 02 | http://www.tta.or.kr/data/ttasDown.jsp?where=14688&pk_num=TTAE.3G-21.133(R4-4.1.0) |

5.1.2.13.3 TS 21.201

Technical Specifications and Technical Reports for an Evolved Packet System (EPS) based 3GPP system

This document identifies the 3GPP Technical Specifications and Technical Reports required or potentially required to build a system based on the Evolved Packet System/LTE/E UTRAN radio technology.

| SDO (2) | Document No. | Version | Status | Issued date | Location (1) |
|-------------------|-----------------------------|---------|-----------|-------------|---|
| Release 8 | | | | | |
| ARIB | ARIB STD-T63-21.201 | 8.5.0 | Approved | Jul 13 | http://www.arib.or.jp/english/html/overview/doc/STD-T63v10_00/2_T63/ARIB-STD-T63/Rel8/21/A21201-850.pdf |
| CCSA | CCSA-TSD-DS-21.201 | 8.4.0 | Published | Jun 12 | http://www.ccsa.org.cn/english/tc/files.php?docpath=/ITU-R/M.1457/M.1457-12/DS |
| ETSI | ETSI TS 121 201 | 8.5.0 | Published | Mar 12 | http://www.etsi.org/deliver/etsi_ts/121200_121299/121201/08.05.00_60/ |
| TTC | TS-3GA-21.201(Rel8)v8.5.0 | 8.5.0 | Approved | Jun 12 | http://www.ttc.or.jp/j/document_list/free/3gpps2012/TS/TS-3GA-21.201(Rel8)v8.5.0.pdf |
| Release 9 | | | | | |
| ARIB | ARIB STD-T63-21.201 | 9.2.0 | Approved | Jul 13 | http://www.arib.or.jp/english/html/overview/doc/STD-T63v10_00/2_T63/ARIB-STD-T63/Rel9/21/A21201-920.pdf |
| CCSA | CCSA-TSD-DS-21.201 | 9.1.0 | Published | Jun 12 | http://www.ccsa.org.cn/english/tc/files.php?docpath=/ITU-R/M.1457/M.1457-12/DS |
| ETSI | ETSI TS 121 201 | 9.2.0 | Published | Mar 12 | http://www.etsi.org/deliver/etsi_ts/121200_121299/121201/09.02.00_60/ |
| TTC | TS-3GA-21.201(Rel9)v9.2.0 | 9.2.0 | Approved | Jun 12 | http://www.ttc.or.jp/j/document_list/free/3gpps2012/TS/TS-3GA-21.201(Rel9)v9.2.0.pdf |
| Release 10 | | | | | |
| ARIB | ARIB STD-T63-21.201 | 10.3.0 | Approved | Jul 13 | http://www.arib.or.jp/english/html/overview/doc/STD-T63v10_00/2_T63/ARIB-STD-T63/Rel10/21/A21201-a30.pdf |
| CCSA | CCSA-TSD-DS-21.201 | 10.1.0 | Published | Jun 12 | http://www.ccsa.org.cn/english/tc/files.php?docpath=/ITU-R/M.1457/M.1457-12/DS |
| ETSI | ETSI TS 121 201 | 10.3.0 | Published | Apr 13 | http://www.etsi.org/deliver/etsi_ts/121200_121299/121201/10.03.00_60/ |
| TTA | TTAT.3G-21.201(R10-10.2.0) | 10.2.0 | Approved | Aug 12 | http://www.tta.or.kr/data/ttasDown.jsp?where=14688&pk_num=TTAT.3G-21.201(R10-10.2.0) |
| TTC | TS-3GA-21.201(Rel10)v10.3.0 | 10.3.0 | Approved | Jun 13 | http://www.ttc.or.jp/j/document_list/free/3gpps2013/TS/TS-3GA-21.201(Rel10)v10.3.0.pdf |
| Release 11 | | | | | |
| ARIB | ARIB STD-T63-21.201 | 11.0.0 | Approved | Jul 13 | http://www.arib.or.jp/english/html/overview/doc/STD-T63v10_00/2_T63/ARIB-STD-T63/Rel11/21/A21201-b00.pdf |
| CCSA | CCSA-TSD-DS-21.201 | 11.1.0 | Published | Jun 14 | http://www.ccsa.org.cn/english/tc/files.php?docpath=/ITU-R/M.1457/M.1457-12/DS |
| ETSI | ETSI TS 121 201 | 11.0.0 | Published | Apr 13 | http://www.etsi.org/deliver/etsi_ts/121200_121299/121201/11.00.00_60/ |
| TTA | TTAT.3G-21.201(R11-11.0.0) | 11.0.0 | published | Aug 13 | http://www.tta.or.kr/data/ttasDown.jsp?where=14688&pk_num=TTAT.3G-21.201(R11-11.0.0) |
| TTC | TS-3GA-21.201(Rel11)v11.0.0 | 11.0.0 | Approved | Jun 13 | http://www.ttc.or.jp/j/document_list/free/3gpps2013/TS/TS-3GA-21.201(Rel11)v11.0.0.pdf |

5.1.2.13.4 TS 21.202

Technical Specifications and Technical Reports relating to the Common IP Multimedia Subsystem (IMS)

This document identifies the 3GPP Technical Specifications and Technical Reports specifically relating to the Common IP Multimedia Subsystem (IMS) maintained by 3GPP. Standards organizations adopting the Common IP Multimedia Subsystem (IMS) might not need to use all listed specifications.

| SDO (2) | Document No. | Version | Status | Issued date | Location (1) |
|-------------------|-----------------------------|---------|-----------|-------------|---|
| Release 8 | | | | | |
| ARIB | ARIB STD-T63-21.202 | 8.5.0 | Approved | Jul 13 | http://www.arib.or.jp/english/html/overview/doc/STD-T63v10_00/2_T63/ARIB-STD-T63/Rel8/21/A21202-850.pdf |
| ETSI | ETSI TS 121 202 | 8.5.0 | Published | Mar 12 | http://www.etsi.org/deliver/etsi_ts/121200_121299/121202/08.05.00_60/ |
| TTC | TS-3GA-21.202(Rel8)v8.5.0 | 8.5.0 | Approved | Jun 12 | http://www.ttc.or.jp/j/document_list/free/3gpps2012/TS/TS-3GA-21.202(Rel8)v8.5.0.pdf |
| Release 9 | | | | | |
| ARIB | ARIB STD-T63-21.202 | 9.3.0 | Approved | Jul 13 | http://www.arib.or.jp/english/html/overview/doc/STD-T63v10_00/2_T63/ARIB-STD-T63/Rel9/21/A21202-930.pdf |
| ETSI | ETSI TS 121 202 | 9.3.0 | Published | Mar 12 | http://www.etsi.org/deliver/etsi_ts/121200_121299/121202/09.03.00_60/ |
| TTC | TS-3GA-21.202(Rel9)v9.3.0 | 9.3.0 | Approved | Jun 12 | http://www.ttc.or.jp/j/document_list/free/3gpps2012/TS/TS-3GA-21.202(Rel9)v9.3.0.pdf |
| Release 10 | | | | | |
| ARIB | ARIB STD-T63-21.202 | 10.3.0 | Approved | Jul 13 | http://www.arib.or.jp/english/html/overview/doc/STD-T63v10_00/2_T63/ARIB-STD-T63/Rel10/21/A21202-a30.pdf |
| ETSI | ETSI TS 121 202 | 10.3.0 | Published | Apr 13 | http://www.etsi.org/deliver/etsi_ts/121200_121299/121202/10.03.00_60/ |
| TTC | TS-3GA-21.202(Rel10)v10.3.0 | 10.3.0 | Approved | Jun 13 | http://www.ttc.or.jp/j/document_list/free/3gpps2013/TS/TS-3GA-21.202(Rel10)v10.3.0.pdf |
| Release 11 | | | | | |
| ARIB | ARIB STD-T63-21.202 | 11.0.0 | Approved | Jul 13 | http://www.arib.or.jp/english/html/overview/doc/STD-T63v10_00/2_T63/ARIB-STD-T63/Rel11/21/A21202-b00.pdf |
| CCSA | CCSA-TSD-DS-21.202 | 11.0.1 | Published | Jun 14 | http://www.ccsa.org.cn/english/tc/files.php?docpath=/ITU-R/M.1457/M.1457-12/DS |
| ETSI | ETSI TS 121 202 | 11.0.0 | Published | Apr 13 | http://www.etsi.org/deliver/etsi_ts/121200_121299/121202/11.00.00_60/ |
| TTA | TTAT.3G-21.202(R11-11.0.0) | 11.0.0 | published | Aug 13 | http://www.tta.or.kr/data/ttasDown.jsp?where=14688&pk_num=TTAT.3G-21.202(R11-11.0.0) |
| TTC | TS-3GA-21.202(Rel11)v11.0.0 | 11.0.0 | Approved | Jun 13 | http://www.ttc.or.jp/j/document_list/free/3gpps2013/TS/TS-3GA-21.202(Rel11)v11.0.0.pdf |

5.1.2.13.5 TS 22.001

Principles of circuit telecommunication services supported by a Public Land Mobile Network (PLMN)

This document covers the definition of the circuit telecommunication services supported by a PLMN. The purpose of this document is to provide a method for the characterization and the description of these telecommunication services.

| SDO (2) | Document No. | Version | Status | Issued date | Location (1) |
|-------------------|---------------------|---------|-----------|-------------|---|
| Release 99 | | | | | |
| ARIB | ARIB STD-T63-22.001 | 3.2.0 | Approved | Jul 13 | http://www.arib.or.jp/english/html/overview/doc/STD-T63v10_00/2_T63/ARIB-STD-T63/R99/22/A22001-320.pdf |
| CCSA | CCSA-TSD-DS-22.001 | 3.2.0 | Published | Jun 12 | http://www.ccsa.org.cn/english/tc/files.php?docpath=/ITU-R/M.1457/M.1457-12/DS |
| ETSI | ETSI TS 122 001 | 3.2.0 | Published | May 00 | http://www.etsi.org/deliver/etsi_ts/122000_122099/122001/03.02.00_60/ |
| Release 4 | | | | | |
| ARIB | ARIB STD-T63-22.001 | 4.3.0 | Approved | Jul 13 | http://www.arib.or.jp/english/html/overview/doc/STD-T63v10_00/2_T63/ARIB-STD-T63/Rel4/22/A22001-430.pdf |
| CCSA | CCSA-TSD-DS-22.001 | 4.3.0 | Published | Jun 12 | http://www.ccsa.org.cn/english/tc/files.php?docpath=/ITU-R/M.1457/M.1457-12/DS |
| ETSI | ETSI TS 122 001 | 4.3.0 | Published | Apr 02 | http://www.etsi.org/deliver/etsi_ts/122000_122099/122001/04.03.00_60/ |
| Release 5 | | | | | |

| | | | | | |
|-------------------|----------------------------|--------|-----------|--------|---|
| ARIB | ARIB STD-T63-22.001 | 5.0.0 | Approved | Jul 13 | http://www.arib.or.jp/english/html/overview/doc/STD-T63v10_00/2_T63/ARIB-STD-T63/Rel5/22/A22001-500.pdf |
| CCSA | CCSA-TSD-DS-22.001 | 5.0.0 | Published | Jun 12 | http://www.ccsa.org.cn/english/tc/files.php?docpath=/ITU-R/M.1457/M.1457-12/DS |
| ETSI | ETSI TS 122 001 | 5.0.0 | Published | Jul 02 | http://www.etsi.org/deliver/etsi_ts/122000_122099/122001/05.00.00_60/ |
| Release 6 | | | | | |
| ARIB | ARIB STD-T63-22.001 | 6.0.0 | Approved | Jul 13 | http://www.arib.or.jp/english/html/overview/doc/STD-T63v10_00/2_T63/ARIB-STD-T63/Rel6/22/A22001-600.pdf |
| CCSA | CCSA-TSD-DS-22.001 | 6.0.0 | Published | Jun 12 | http://www.ccsa.org.cn/english/tc/files.php?docpath=/ITU-R/M.1457/M.1457-12/DS |
| ETSI | ETSI TS 122 001 | 6.0.0 | Published | Jan 05 | http://www.etsi.org/deliver/etsi_ts/122000_122099/122001/06.00.00_60/ |
| Release 7 | | | | | |
| ARIB | ARIB STD-T63-22.001 | 7.0.0 | Approved | Jul 13 | http://www.arib.or.jp/english/html/overview/doc/STD-T63v10_00/2_T63/ARIB-STD-T63/Rel7/22/A22001-700.pdf |
| CCSA | CCSA-TSD-DS-22.001 | 7.0.0 | Published | Jun 12 | http://www.ccsa.org.cn/english/tc/files.php?docpath=/ITU-R/M.1457/M.1457-12/DS |
| ETSI | ETSI TS 122 001 | 7.0.0 | Published | Jul 07 | http://www.etsi.org/deliver/etsi_ts/122000_122099/122001/07.00.00_60/ |
| Release 8 | | | | | |
| ARIB | ARIB STD-T63-22.001 | 8.0.0 | Approved | Jul 13 | http://www.arib.or.jp/english/html/overview/doc/STD-T63v10_00/2_T63/ARIB-STD-T63/Rel8/22/A22001-800.pdf |
| CCSA | CCSA-TSD-DS-22.001 | 8.0.0 | Published | Jun 12 | http://www.ccsa.org.cn/english/tc/files.php?docpath=/ITU-R/M.1457/M.1457-12/DS |
| ETSI | ETSI TS 122 001 | 8.0.0 | Published | Jan 09 | http://www.etsi.org/deliver/etsi_ts/122000_122099/122001/08.00.00_60/ |
| Release 9 | | | | | |
| ARIB | ARIB STD-T63-22.001 | 9.0.0 | Approved | Jul 13 | http://www.arib.or.jp/english/html/overview/doc/STD-T63v10_00/2_T63/ARIB-STD-T63/Rel9/22/A22001-900.pdf |
| CCSA | CCSA-TSD-DS-22.001 | 9.0.0 | Published | Jun 12 | http://www.ccsa.org.cn/english/tc/files.php?docpath=/ITU-R/M.1457/M.1457-12/DS |
| ETSI | ETSI TS 122 001 | 9.0.0 | Published | Feb 10 | http://www.etsi.org/deliver/etsi_ts/122000_122099/122001/09.00.00_60/ |
| Release 10 | | | | | |
| ARIB | ARIB STD-T63-22.001 | 10.0.0 | Approved | Jul 13 | http://www.arib.or.jp/english/html/overview/doc/STD-T63v10_00/2_T63/ARIB-STD-T63/Rel10/22/A22001-a00.pdf |
| CCSA | CCSA-TSD-DS-22.001 | 10.0.0 | Published | Jun 12 | http://www.ccsa.org.cn/english/tc/files.php?docpath=/ITU-R/M.1457/M.1457-12/DS |
| ETSI | ETSI TS 122 001 | 10.0.0 | Published | May 11 | http://www.etsi.org/deliver/etsi_ts/122000_122099/122001/10.00.00_60/ |
| TTA | TTAT.3G-22.001(R10-10.0.0) | 10.0.0 | Approved | Apr 12 | http://www.tta.or.kr/data/ttasDown.jsp?where=14688&pk_num=TTAT.3G-22.001(R10-10.0.0) |
| Release 11 | | | | | |
| ARIB | ARIB STD-T63-22.001 | 11.0.0 | Approved | Jul 13 | http://www.arib.or.jp/english/html/overview/doc/STD-T63v10_00/2_T63/ARIB-STD-T63/Rel11/22/A22001-b00.pdf |
| CCSA | CCSA-TSD-DS-22.001 | 11.0.0 | Published | Jun 14 | http://www.ccsa.org.cn/english/tc/files.php?docpath=/ITU-R/M.1457/M.1457-12/DS |
| ETSI | ETSI TS 122 001 | 11.0.0 | Published | Oct 12 | http://www.etsi.org/deliver/etsi_ts/122000_122099/122001/11.00.00_60/ |
| TTA | TTAT.3G-22.001(R11-11.0.0) | 11.0.0 | published | Aug 13 | http://www.tta.or.kr/data/ttasDown.jsp?where=14688&pk_num=TTAT.3G-22.001(R11-11.0.0) |

5.1.2.13.6 TS 22.002

Circuit Bearer Services (BS) supported by a Public Land Mobile Network (PLMN)

This 3G specification describes a set of bearer services to be provided to 3G subscribers by a 3G network itself and in connection with other networks. This document is also be used as a reference for defining the corresponding required mobile network capabilities which are specified by means of the connection type concept.

| SDO (2) | Document No. | Version | Status | Issued date | Location (1) |
|-------------------|---------------------|---------|-----------|-------------|---|
| Release 99 | | | | | |
| ARIB | ARIB STD-T63-22.002 | 3.6.0 | Approved | Jul 13 | http://www.arib.or.jp/english/html/overview/doc/STD-T63v10_00/2_T63/ARIB-STD-T63/R99/22/A22002-360.pdf |
| CCSA | CCSA-TSD-DS-22.002 | 3.6.0 | Published | Apr 01 | http://www.ccsa.org.cn/english/tc/files.php?docpath=/ITU-R/M.1457/M.1457-12/DS |
| ETSI | ETSI TS 122 002 | 3.6.0 | Published | Apr 01 | http://www.etsi.org/deliver/etsi_ts/122000_122099/122002/03.06.00_60/ |

5.1.2.13.7 TS 22.003

Circuit Teleservices supported by a Public Land Mobile Network (PLMN)

This document describes and defines a recommended set of Circuit Teleservices to be supported by a PLMN in connection with other networks as a basis for defining the network capabilities required.

| SDO (2) | Document No. | Version | Status | Issued date | Location (1) |
|-------------------|----------------------------|---------|-----------|-------------|---|
| Release 99 | | | | | |
| ARIB | ARIB STD-T63-22.003 | 3.3.0 | Approved | Jul 13 | http://www.arib.or.jp/english/html/overview/doc/STD-T63v10_00/2_T63/ARIB-STD-T63/R99/22/A22003-330.pdf |
| CCSA | CCSA-TSD-DS-22.003 | 3.3.0 | Published | Jun 12 | http://www.ccsa.org.cn/english/tc/files.php?docpath=/ITU-R/M.1457/M.1457-12/DS |
| ETSI | ETSI TS 122 003 | 3.3.0 | Published | Jul 01 | http://www.etsi.org/deliver/etsi_ts/122000_122099/122003/03.03.00_60/ |
| Release 4 | | | | | |
| ARIB | ARIB STD-T63-22.003 | 4.3.0 | Approved | Jul 13 | http://www.arib.or.jp/english/html/overview/doc/STD-T63v10_00/2_T63/ARIB-STD-T63/Rel4/22/A22003-430.pdf |
| CCSA | CCSA-TSD-DS-22.003 | 4.3.0 | Published | Jun 12 | http://www.ccsa.org.cn/english/tc/files.php?docpath=/ITU-R/M.1457/M.1457-12/DS |
| ETSI | ETSI TS 122 003 | 4.3.0 | Published | Apr 02 | http://www.etsi.org/deliver/etsi_ts/122000_122099/122003/04.03.00_60/ |
| Release 5 | | | | | |
| ARIB | ARIB STD-T63-22.003 | 5.2.0 | Approved | Jul 13 | http://www.arib.or.jp/english/html/overview/doc/STD-T63v10_00/2_T63/ARIB-STD-T63/Rel5/22/A22003-520.pdf |
| CCSA | CCSA-TSD-DS-22.003 | 5.2.0 | Published | Jun 12 | http://www.ccsa.org.cn/english/tc/files.php?docpath=/ITU-R/M.1457/M.1457-12/DS |
| ETSI | ETSI TS 122 003 | 5.2.0 | Published | Jul 02 | http://www.etsi.org/deliver/etsi_ts/122000_122099/122003/05.02.00_60/ |
| Release 6 | | | | | |
| ARIB | ARIB STD-T63-22.003 | 6.0.0 | Approved | Jul 13 | http://www.arib.or.jp/english/html/overview/doc/STD-T63v10_00/2_T63/ARIB-STD-T63/Rel6/22/A22003-600.pdf |
| CCSA | CCSA-TSD-DS-22.003 | 6.0.0 | Published | Jun 12 | http://www.ccsa.org.cn/english/tc/files.php?docpath=/ITU-R/M.1457/M.1457-12/DS |
| ETSI | ETSI TS 122 003 | 6.0.0 | Published | Jan 05 | http://www.etsi.org/deliver/etsi_ts/122000_122099/122003/06.00.00_60/ |
| Release 7 | | | | | |
| ARIB | ARIB STD-T63-22.003 | 7.0.0 | Approved | Jul 13 | http://www.arib.or.jp/english/html/overview/doc/STD-T63v10_00/2_T63/ARIB-STD-T63/Rel7/22/A22003-700.pdf |
| CCSA | CCSA-TSD-DS-22.003 | 7.0.0 | Published | Jun 12 | http://www.ccsa.org.cn/english/tc/files.php?docpath=/ITU-R/M.1457/M.1457-12/DS |
| ETSI | ETSI TS 122 003 | 7.0.0 | Published | Jul 07 | http://www.etsi.org/deliver/etsi_ts/122000_122099/122003/07.00.00_60/ |
| Release 8 | | | | | |
| ARIB | ARIB STD-T63-22.003 | 8.0.0 | Approved | Jul 13 | http://www.arib.or.jp/english/html/overview/doc/STD-T63v10_00/2_T63/ARIB-STD-T63/Rel8/22/A22003-800.pdf |
| CCSA | CCSA-TSD-DS-22.003 | 8.0.0 | Published | Jun 12 | http://www.ccsa.org.cn/english/tc/files.php?docpath=/ITU-R/M.1457/M.1457-12/DS |
| ETSI | ETSI TS 122 003 | 8.0.0 | Published | Feb 09 | http://www.etsi.org/deliver/etsi_ts/122000_122099/122003/08.00.00_60/ |
| Release 9 | | | | | |
| ARIB | ARIB STD-T63-22.003 | 9.0.0 | Approved | Jul 13 | http://www.arib.or.jp/english/html/overview/doc/STD-T63v10_00/2_T63/ARIB-STD-T63/Rel9/22/A22003-900.pdf |
| CCSA | CCSA-TSD-DS-22.003 | 9.0.0 | Published | Jun 12 | http://www.ccsa.org.cn/english/tc/files.php?docpath=/ITU-R/M.1457/M.1457-12/DS |
| ETSI | ETSI TS 122 003 | 9.0.0 | Published | Jan 10 | http://www.etsi.org/deliver/etsi_ts/122000_122099/122003/09.00.00_60/ |
| Release 10 | | | | | |
| ARIB | ARIB STD-T63-22.003 | 10.0.0 | Approved | Jul 13 | http://www.arib.or.jp/english/html/overview/doc/STD-T63v10_00/2_T63/ARIB-STD-T63/Rel10/22/A22003-a00.pdf |
| CCSA | CCSA-TSD-DS-22.003 | 10.0.0 | Published | Jun 12 | http://www.ccsa.org.cn/english/tc/files.php?docpath=/ITU-R/M.1457/M.1457-12/DS |
| ETSI | ETSI TS 122 003 | 10.0.0 | Published | May 11 | http://www.etsi.org/deliver/etsi_ts/122000_122099/122003/10.00.00_60/ |
| TTA | TTAT.3G-22.003(R10-10.0.0) | 10.0.0 | Approved | Apr 12 | http://www.tta.or.kr/data/ttasDown.jsp?where=14688&pk_num=TTAT.3G-22.003(R10-10.0.0) |
| Release 11 | | | | | |
| ARIB | ARIB STD-T63-22.003 | 11.0.0 | Approved | Jul 13 | http://www.arib.or.jp/english/html/overview/doc/STD-T63v10_00/2_T63/ARIB-STD-T63/Rel11/22/A22003-b00.pdf |
| CCSA | CCSA-TSD-DS-22.003 | 11.0.0 | Published | Jun 14 | http://www.ccsa.org.cn/english/tc/files.php?docpath=/ITU-R/M.1457/M.1457-12/DS |

| | | | | | |
|------|----------------------------|--------|-----------|--------|---|
| ETSI | ETSI TS 122 003 | 11.0.0 | Published | Oct 12 | http://www.etsi.org/deliver/etsi_ts/122000_122099/122003/11.00.00_60/ |
| TTA | TTAT.3G-22.003(R11-11.0.0) | 11.0.0 | published | Aug 13 | http://www.tta.or.kr/data/ttasDown.jsp?where=14688&pk_num=TTAT.3G-22.003(R11-11.0.0) |

5.1.2.13.8 TS 22.004

General on supplementary services

This specification describes a recommended set of supplementary services to the teleservices and bearer services which will be supported by a 3G network in connection with other networks as a basis for the definition of the network capabilities required.

| SDO (2) | Document No. | Version | Status | Issued date | Location (1) |
|-------------------|---------------------------|---------|-----------|-------------|---|
| Release 99 | | | | | |
| CCSA | CCSA-TSD-DS-22.004 | 3.3.0 | Published | Jul 02 | http://www.ccsa.org.cn/english/tc/files.php?docpath=/ITU-R/M.1457/M.1457-12/DS |
| ETSI | ETSI TS 122 004 | 3.3.0 | Published | Jul 02 | http://www.etsi.org/deliver/etsi_ts/122000_122099/122004/03.03.00_60/ |
| TTC | TS-3GA-22.004(R99)v3.3.0 | 3.3.0 | Approved | Aug 02 | http://www.ttc.or.jp/j/document_list/free/TS/TS-3GA-22.004(R99)v3.3.0.pdf |
| Release 4 | | | | | |
| CCSA | CCSA-TSD-DS-22.004 | 4.3.0 | Published | Jun 04 | http://www.ccsa.org.cn/english/tc/files.php?docpath=/ITU-R/M.1457/M.1457-12/DS |
| ETSI | ETSI TS 122 004 | 4.3.0 | Published | Jun 04 | http://www.etsi.org/deliver/etsi_ts/122000_122099/122004/04.03.00_60/ |
| TTC | TS-3GA-22.004(Rel4)v4.3.0 | 4.3.0 | Approved | Aug 04 | http://www.ttc.or.jp/j/document_list/free/TS/TS-3GA-22.004(Rel4)v4.3.0.pdf |
| Release 5 | | | | | |
| CCSA | CCSA-TSD-DS-22.004 | 5.1.0 | Published | Jun 04 | http://www.ccsa.org.cn/english/tc/files.php?docpath=/ITU-R/M.1457/M.1457-12/DS |
| ETSI | ETSI TS 122 004 | 5.1.0 | Published | Jun 04 | http://www.etsi.org/deliver/etsi_ts/122000_122099/122004/05.01.00_60/ |
| TTC | TS-3GA-22.004(Rel5)v5.1.0 | 5.1.0 | Approved | Aug 04 | http://www.ttc.or.jp/j/document_list/free/TS/TS-3GA-22.004(Rel5)v5.1.0.pdf |
| Release 6 | | | | | |
| CCSA | CCSA-TSD-DS-22.004 | 6.0.0 | Published | Jan 05 | http://www.ccsa.org.cn/english/tc/files.php?docpath=/ITU-R/M.1457/M.1457-12/DS |
| ETSI | ETSI TS 122 004 | 6.0.0 | Published | Jan 05 | http://www.etsi.org/deliver/etsi_ts/122000_122099/122004/06.00.00_60/ |
| TTC | TS-3GA-22.004(Rel6)v6.0.0 | 6.0.0 | Approved | Mar 05 | http://www.ttc.or.jp/j/document_list/free/TS/TS-3GA-22.004(Rel6)v6.0.0.pdf |
| Release 7 | | | | | |
| CCSA | CCSA-TSD-DS-22.004 | 7.0.0 | Published | Apr 07 | http://www.ccsa.org.cn/english/tc/files.php?docpath=/ITU-R/M.1457/M.1457-12/DS |
| ETSI | ETSI TS 122 004 | 7.0.0 | Published | Apr 07 | http://www.etsi.org/deliver/etsi_ts/122000_122099/122004/07.00.00_60/ |
| TTC | TS-3GA-22.004(Rel7)v7.0.0 | 7.0.0 | Approved | Mar 08 | http://www.ttc.or.jp/j/document_list/free/TS/TS-3GA-22.004(Rel7)v7.0.0.pdf |
| Release 8 | | | | | |
| CCSA | CCSA-TSD-DS-22.004 | 8.0.0 | Published | Jan 08 | http://www.ccsa.org.cn/english/tc/files.php?docpath=/ITU-R/M.1457/M.1457-12/DS |
| ETSI | ETSI TS 122 004 | 8.0.0 | Published | Jan 08 | http://www.etsi.org/deliver/etsi_ts/122000_122099/122004/08.00.00_60/ |
| TTA | TTAT.3G-22.004(R8-8.0.0) | 8.0.0 | Approved | Jul 09 | http://www.tta.or.kr/data/ttasDown.jsp?where=14688&pk_num=TTAT.3G-22.004(R8-8.0.0) |
| TTC | TS-3GA-22.004(Rel8)v8.0.0 | 8.0.0 | Approved | Feb 09 | http://www.ttc.or.jp/j/document_list/free/3gpps2009/TS/TS-3GA-22.004(Rel8)v8.0.0.pdf |
| Release 9 | | | | | |
| CCSA | CCSA-TSD-DS-22.004 | 9.0.0 | Published | Mar 10 | http://www.ccsa.org.cn/english/tc/files.php?docpath=/ITU-R/M.1457/M.1457-12/DS |
| ETSI | ETSI TS 122 004 | 9.0.0 | Published | Jan 10 | http://www.etsi.org/deliver/etsi_ts/122000_122099/122004/09.00.00_60/ |
| TTA | TTAT.3G-22.004(R9-9.0.0) | 9.0.0 | Approved | Jul 10 | http://www.tta.or.kr/data/ttasDown.jsp?where=14688&pk_num=TTAT.3G-22.004(R9-9.0.0) |
| TTC | TS-3GA-22.004(Rel9)v9.0.0 | 9.0.0 | Approved | Jul 10 | http://www.ttc.or.jp/j/document_list/free/3gpps2010/TS/TS-3GA-22.004(Rel9)v9.0.0.pdf |
| Release 10 | | | | | |
| CCSA | CCSA-TSD-DS-22.004 | 10.0.0 | Published | Jun 12 | http://www.ccsa.org.cn/english/tc/files.php?docpath=/ITU-R/M.1457/M.1457-12/DS |
| ETSI | ETSI TS 122 004 | 10.0.0 | Published | May 11 | http://www.etsi.org/deliver/etsi_ts/122000_122099/122004/10.00.00_60/ |

| | | | | | |
|-------------------|-----------------------------|--------|-----------|--------|---|
| TTA | TTAT.3G-22.004(R10-10.0.0) | 10.0.0 | Approved | Apr 12 | http://www.tta.or.kr/data/ttasDown.jsp?where=14688&pk_num=TTAT.3G-22.004(R10-10.0.0) |
| TTC | TS-3GA-22.004(Rel10)v10.0.0 | 10.0.0 | Approved | Jun 11 | http://www.ttc.or.jp/j/document_list/free/3gpps2011/TS/TS-3GA-22.004(Rel10)v10.0.0.pdf |
| Release 11 | | | | | |
| CCSA | CCSA-TSD-DS-22.004 | 11.0.0 | Published | Jun 14 | http://www.ccsa.org.cn/english/tc/files.php?docpath=/ITU-R/M.1457/M.1457-12/DS |
| ETSI | ETSI TS 122 004 | 11.0.0 | Published | Nov 12 | http://www.etsi.org/deliver/etsi_ts/122000_122099/122004/11.00.00_60/ |
| TTA | TTAT.3G-22.004(R11-11.0.0) | 11.0.0 | published | Aug 13 | http://www.tta.or.kr/data/ttasDown.jsp?where=14688&pk_num=TTAT.3G-22.004(R11-11.0.0) |
| TTC | TS-3GA-22.004(Rel11)v11.0.0 | 11.0.0 | Approved | Jun 13 | http://www.ttc.or.jp/j/document_list/free/3gpps2013/TS/TS-3GA-22.004(Rel11)v11.0.0.pdf |

5.1.2.13.9 TS 22.011

Service accessibility

This specification describes the service access procedures as presented to the user. The document contains definitions and procedures are provided for international roaming, national roaming and regionally provided service. These are mandatory in relation to the technical realization of the UE.

| SDO (2) | Document No. | Version | Status | Issued date | Location (1) |
|-------------------|----------------------------|---------|-----------|-------------|---|
| Release 99 | | | | | |
| CCSA | CCSA-TSD-DS-22.011 | 3.8.0 | Published | Sep 02 | http://www.ccsa.org.cn/english/tc/files.php?docpath=/ITU-R/M.1457/M.1457-12/DS |
| ETSI | ETSI TS 122 011 | 3.8.0 | Published | Sep 02 | http://www.etsi.org/deliver/etsi_ts/122000_122099/122011/03.08.00_60/ |
| TTC | TS-3GA-22.011(R99)v3.8.0 | 3.8.0 | Approved | Nov 02 | http://www.ttc.or.jp/j/document_list/free/TS/TS-3GA-22.011(R99)v3.8.0.pdf |
| Release 4 | | | | | |
| CCSA | CCSA-TSD-DS-22.011 | 4.8.0 | Published | Sep 02 | http://www.ccsa.org.cn/english/tc/files.php?docpath=/ITU-R/M.1457/M.1457-12/DS |
| ETSI | ETSI TS 122 011 | 4.8.0 | Published | Sep 02 | http://www.etsi.org/deliver/etsi_ts/122000_122099/122011/04.08.00_60/ |
| TTC | TS-3GA-22.011(Rel4)v4.8.0 | 4.8.0 | Approved | Nov 02 | http://www.ttc.or.jp/j/document_list/free/TS/TS-3GA-22.011(Rel4)v4.8.0.pdf |
| Release 5 | | | | | |
| CCSA | CCSA-TSD-DS-22.011 | 5.1.0 | Published | Sep 02 | http://www.ccsa.org.cn/english/tc/files.php?docpath=/ITU-R/M.1457/M.1457-12/DS |
| ETSI | ETSI TS 122 011 | 5.1.0 | Published | Sep 02 | http://www.etsi.org/deliver/etsi_ts/122000_122099/122011/05.01.00_60/ |
| TTC | TS-3GA-22.011(Rel5)v5.1.0 | 5.1.0 | Approved | Nov 02 | http://www.ttc.or.jp/j/document_list/free/TS/TS-3GA-22.011(Rel5)v5.1.0.pdf |
| Release 6 | | | | | |
| CCSA | CCSA-TSD-DS-22.011 | 6.4.0 | Published | Jan 05 | http://www.ccsa.org.cn/english/tc/files.php?docpath=/ITU-R/M.1457/M.1457-12/DS |
| ETSI | ETSI TS 122 011 | 6.4.0 | Published | Jan 05 | http://www.etsi.org/deliver/etsi_ts/122000_122099/122011/06.04.00_60/ |
| TTC | TS-3GA-22.011(Rel6)v6.4.0 | 6.4.0 | Approved | Mar 05 | http://www.ttc.or.jp/j/document_list/free/TS/TS-3GA-22.011(Rel6)v6.4.0.pdf |
| Release 7 | | | | | |
| CCSA | CCSA-TSD-DS-22.011 | 7.9.0 | Published | Apr 08 | http://www.ccsa.org.cn/english/tc/files.php?docpath=/ITU-R/M.1457/M.1457-12/DS |
| ETSI | ETSI TS 122 011 | 7.9.0 | Published | Apr 08 | http://www.etsi.org/deliver/etsi_ts/122000_122099/122011/07.09.00_60/ |
| TTC | TS-3GA-22.011(Rel7)v7.9.0 | 7.9.0 | Approved | Feb 09 | http://www.ttc.or.jp/j/document_list/free/3gpps2009/TS/TS-3GA-22.011(Rel7)v7.9.0.pdf |
| Release 8 | | | | | |
| CCSA | CCSA-TSD-DS-22.011 | 8.10.0 | Published | Jun 12 | http://www.ccsa.org.cn/english/tc/files.php?docpath=/ITU-R/M.1457/M.1457-12/DS |
| ETSI | ETSI TS 122 011 | 8.11.0 | Published | Jul 12 | http://www.etsi.org/deliver/etsi_ts/122000_122099/122011/08.11.00_60/ |
| TTA | TTAT.3G-22.011(R8-8.7.0) | 8.7.0 | Approved | Jul 09 | http://www.tta.or.kr/data/ttasDown.jsp?where=14688&pk_num=TTAT.3G-22.011(R8-8.7.0) |
| TTC | TS-3GA-22.011(Rel8)v8.11.0 | 8.11.0 | Approved | Sep 12 | http://www.ttc.or.jp/j/document_list/free/3gpps2012/TS/TS-3GA-22.011(Rel8)v8.11.0.pdf |
| Release 9 | | | | | |
| CCSA | CCSA-TSD-DS-22.011 | 9.4.0 | Published | Jun 12 | http://www.ccsa.org.cn/english/tc/files.php?docpath=/ITU-R/M.1457/M.1457-12/DS |

| | | | | | |
|-------------------|-----------------------------|--------|-----------|--------|---|
| ETSI | ETSI TS 122 011 | 9.4.0 | Published | Jun 10 | http://www.etsi.org/deliver/etsi_ts/122000_122099/122011/09.04.00_60/ |
| TTA | TTAT.3G-22.011(R9-9.3.0) | 9.3.0 | Approved | Jul 10 | http://www.tta.or.kr/data/ttasDown.jsp?where=14688&pk_num=TTAT.3G-22.011(R9-9.3.0) |
| TTC | TS-3GA-22.011(Rel9)v9.4.0 | 9.4.0 | Approved | Oct 10 | http://www.ttc.or.jp/j/document_list/free/3gpps2010/TS/TS-3GA-22.011(Rel9)v9.4.0.pdf |
| Release 10 | | | | | |
| CCSA | CCSA-TSD-DS-22.011 | 10.3.0 | Published | Jun 12 | http://www.ccsa.org.cn/english/tc/files.php?docpath=/ITU-R/M.1457/M.1457-12/DS |
| ETSI | ETSI TS 122 011 | 10.3.0 | Published | Apr 11 | http://www.etsi.org/deliver/etsi_ts/122000_122099/122011/10.03.00_60/ |
| TTA | TTAT.3G-22.011(R10-10.3.0) | 10.3.0 | Approved | Apr 12 | http://www.tta.or.kr/data/ttasDown.jsp?where=14688&pk_num=TTAT.3G-22.011(R10-10.3.0) |
| TTC | TS-3GA-22.011(Rel10)v10.3.0 | 10.3.0 | Approved | Jun 11 | http://www.ttc.or.jp/j/document_list/free/3gpps2011/TS/TS-3GA-22.011(Rel10)v10.3.0.pdf |
| Release 11 | | | | | |
| CCSA | CCSA-TSD-DS-22.011 | 11.3.0 | Published | Jun 14 | http://www.ccsa.org.cn/english/tc/files.php?docpath=/ITU-R/M.1457/M.1457-12/DS |
| ETSI | ETSI TS 122 011 | 11.3.0 | Published | Apr 13 | http://www.etsi.org/deliver/etsi_ts/122000_122099/122011/11.03.00_60/ |
| TTA | TTAT.3G-22.011(R11-11.3.0) | 11.3.0 | published | Aug 13 | http://www.tta.or.kr/data/ttasDown.jsp?where=14688&pk_num=TTAT.3G-22.011(R11-11.3.0) |
| TTC | TS-3GA-22.011(Rel11)v11.3.0 | 11.3.0 | Approved | Jun 13 | http://www.ttc.or.jp/j/document_list/free/3gpps2013/TS/TS-3GA-22.011(Rel11)v11.3.0.pdf |

5.1.2.13.10 TS 22.016

International Mobile station Equipment Identities (IMEI)

This specification describes the principal purpose and use of unique equipment identities.

| SDO (2) | Document No. | Version | Status | Issued date | Location (1) |
|-------------------|---------------------|---------|-----------|-------------|---|
| Release 99 | | | | | |
| ARIB | ARIB STD-T63-22.016 | 3.3.0 | Approved | Jul 13 | http://www.arib.or.jp/english/html/overview/doc/STD-T63v10_00/2_T63/ARIB-STD-T63/R99/22/A22016-330.pdf |
| CCSA | CCSA-TSD-DS-22.016 | 3.3.0 | Published | Jul 02 | http://www.ccsa.org.cn/english/tc/files.php?docpath=/ITU-R/M.1457/M.1457-12/DS |
| ETSI | ETSI TS 122 016 | 3.3.0 | Published | Jul 02 | http://www.etsi.org/deliver/etsi_ts/122000_122099/122016/03.03.00_60/ |
| Release 4 | | | | | |
| ARIB | ARIB STD-T63-22.016 | 4.2.1 | Approved | Jul 13 | http://www.arib.or.jp/english/html/overview/doc/STD-T63v10_00/2_T63/ARIB-STD-T63/Rel4/22/A22016-421.pdf |
| CCSA | CCSA-TSD-DS-22.016 | 4.2.1 | Published | Jul 02 | http://www.ccsa.org.cn/english/tc/files.php?docpath=/ITU-R/M.1457/M.1457-12/DS |
| ETSI | ETSI TS 122 016 | 4.2.1 | Published | Jul 02 | http://www.etsi.org/deliver/etsi_ts/122000_122099/122016/04.02.01_60/ |
| Release 5 | | | | | |
| ARIB | ARIB STD-T63-22.016 | 5.0.0 | Approved | Jul 13 | http://www.arib.or.jp/english/html/overview/doc/STD-T63v10_00/2_T63/ARIB-STD-T63/Rel5/22/A22016-500.pdf |
| CCSA | CCSA-TSD-DS-22.016 | 5.0.0 | Published | Jul 02 | http://www.ccsa.org.cn/english/tc/files.php?docpath=/ITU-R/M.1457/M.1457-12/DS |
| ETSI | ETSI TS 122 016 | 5.0.0 | Published | Jul 02 | http://www.etsi.org/deliver/etsi_ts/122000_122099/122016/05.00.00_60/ |
| Release 6 | | | | | |
| ARIB | ARIB STD-T63-22.016 | 6.0.0 | Approved | Jul 13 | http://www.arib.or.jp/english/html/overview/doc/STD-T63v10_00/2_T63/ARIB-STD-T63/Rel6/22/A22016-600.pdf |
| CCSA | CCSA-TSD-DS-22.016 | 6.0.0 | Published | Jan 05 | http://www.ccsa.org.cn/english/tc/files.php?docpath=/ITU-R/M.1457/M.1457-12/DS |
| ETSI | ETSI TS 122 016 | 6.0.0 | Published | Jan 05 | http://www.etsi.org/deliver/etsi_ts/122000_122099/122016/06.00.00_60/ |
| Release 7 | | | | | |
| ARIB | ARIB STD-T63-22.016 | 7.2.0 | Approved | Jul 13 | http://www.arib.or.jp/english/html/overview/doc/STD-T63v10_00/2_T63/ARIB-STD-T63/Rel7/22/A22016-720.pdf |
| CCSA | CCSA-TSD-DS-22.016 | 7.2.0 | Published | Mar 10 | http://www.ccsa.org.cn/english/tc/files.php?docpath=/ITU-R/M.1457/M.1457-12/DS |
| ETSI | ETSI TS 122 016 | 7.2.0 | Published | Oct 09 | http://www.etsi.org/deliver/etsi_ts/122000_122099/122016/07.02.00_60/ |
| Release 8 | | | | | |
| ARIB | ARIB STD-T63-22.016 | 8.1.1 | Approved | Jul 13 | http://www.arib.or.jp/english/html/overview/doc/STD-T63v10_00/2_T63/ARIB-STD-T63/Rel8/22/A22016-811.pdf |
| CCSA | CCSA-TSD-DS-22.016 | 8.1.1 | Published | Mar 10 | http://www.ccsa.org.cn/english/tc/files.php?docpath=/ITU-R/M.1457/M.1457-12/DS |

| | | | | | |
|-------------------|----------------------------|--------|-----------|--------|---|
| ETSI | ETSI TS 122 016 | 8.1.1 | Published | Jan 10 | http://www.etsi.org/deliver/etsi_ts/122000_122099/122016/08.01.01_60/ |
| TTA | TTAT.3G-22.016(R8-8.0.0) | 8.0.0 | Approved | Jul 09 | http://www.tta.or.kr/data/ttasDown.jsp?where=14688&pk_num=TTAT.3G-22.016(R8-8.0.0) |
| Release 9 | | | | | |
| ARIB | ARIB STD-T63-22.016 | 9.0.1 | Approved | Jul 13 | http://www.arib.or.jp/english/html/overview/doc/STD-T63v10_00/2_T63/ARIB-STD-T63/Rel9/22/A22016-901.pdf |
| CCSA | CCSA-TSD-DS-22.016 | 9.0.1 | Published | Jun 12 | http://www.ccsa.org.cn/english/tc/files.php?docpath=/ITU-R/M.1457/M.1457-12/DS |
| ETSI | ETSI TS 122 016 | 9.0.1 | Published | Apr 10 | http://www.etsi.org/deliver/etsi_ts/122000_122099/122016/09.00.01_60/ |
| TTA | TTAT.3G-22.016(R9-9.0.1) | 9.0.1 | Approved | Jul 10 | http://www.tta.or.kr/data/ttasDown.jsp?where=14688&pk_num=TTAT.3G-22.016(R9-9.0.1) |
| Release 10 | | | | | |
| ARIB | ARIB STD-T63-22.016 | 10.0.0 | Approved | Jul 13 | http://www.arib.or.jp/english/html/overview/doc/STD-T63v10_00/2_T63/ARIB-STD-T63/Rel10/22/A22016-a00.pdf |
| CCSA | CCSA-TSD-DS-22.016 | 10.0.0 | Published | Jun 12 | http://www.ccsa.org.cn/english/tc/files.php?docpath=/ITU-R/M.1457/M.1457-12/DS |
| ETSI | ETSI TS 122 016 | 10.0.0 | Published | May 11 | http://www.etsi.org/deliver/etsi_ts/122000_122099/122016/10.00.00_60/ |
| TTA | TTAT.3G-22.016(R10-10.0.0) | 10.0.0 | Approved | Apr 12 | http://www.tta.or.kr/data/ttasDown.jsp?where=14688&pk_num=TTAT.3G-22.016(R10-10.0.0) |
| Release 11 | | | | | |
| ARIB | ARIB STD-T63-22.016 | 11.0.0 | Approved | Jul 13 | http://www.arib.or.jp/english/html/overview/doc/STD-T63v10_00/2_T63/ARIB-STD-T63/Rel11/22/A22016-b00.pdf |
| CCSA | CCSA-TSD-DS-22.016 | 11.0.0 | Published | Jun 14 | http://www.ccsa.org.cn/english/tc/files.php?docpath=/ITU-R/M.1457/M.1457-12/DS |
| ETSI | ETSI TS 122 016 | 11.0.0 | Published | Oct 12 | http://www.etsi.org/deliver/etsi_ts/122000_122099/122016/11.00.00_60/ |
| TTA | TTAT.3G-22.016(R11-11.0.0) | 11.0.0 | published | Aug 13 | http://www.tta.or.kr/data/ttasDown.jsp?where=14688&pk_num=TTAT.3G-22.016(R11-11.0.0) |

5.1.2.13.11 TS 22.022

Personalisation of Mobile Equipment (ME); Mobile functionality specification

This specification describes functional specifications of five features to personalize UE. These features are called: – network personalization; – network subset personalization; – service provider (SP) personalization; – corporate personalization; – UMTS subscriber identity module (USIM) personalization. This specification describes requirements for UE, which provide these personalization features.

| SDO (2) | Document No. | Version | Status | Issued date | Location (1) |
|-------------------|---------------------|---------|-----------|-------------|---|
| Release 99 | | | | | |
| ARIB | ARIB STD-T63-22.022 | 3.2.1 | Approved | Jul 13 | http://www.arib.or.jp/english/html/overview/doc/STD-T63v10_00/2_T63/ARIB-STD-T63/R99/22/A22022-321.pdf |
| CCSA | CCSA-TSD-DS-22.022 | 3.2.1 | Published | Jun 02 | http://www.ccsa.org.cn/english/tc/files.php?docpath=/ITU-R/M.1457/M.1457-12/DS |
| ETSI | ETSI TS 122 022 | 3.2.1 | Published | Jun 02 | http://www.etsi.org/deliver/etsi_ts/122000_122099/122022/03.02.01_60/ |
| Release 4 | | | | | |
| ARIB | ARIB STD-T63-22.022 | 4.1.0 | Approved | Jul 13 | http://www.arib.or.jp/english/html/overview/doc/STD-T63v10_00/2_T63/ARIB-STD-T63/Rel4/22/A22022-410.pdf |
| CCSA | CCSA-TSD-DS-22.022 | 4.1.0 | Published | Jun 02 | http://www.ccsa.org.cn/english/tc/files.php?docpath=/ITU-R/M.1457/M.1457-12/DS |
| ETSI | ETSI TS 122 022 | 4.1.0 | Published | Jun 02 | http://www.etsi.org/deliver/etsi_ts/122000_122099/122022/04.01.00_60/ |
| Release 5 | | | | | |
| ARIB | ARIB STD-T63-22.022 | 5.0.0 | Approved | Jul 13 | http://www.arib.or.jp/english/html/overview/doc/STD-T63v10_00/2_T63/ARIB-STD-T63/Rel5/22/A22022-500.pdf |
| CCSA | CCSA-TSD-DS-22.022 | 5.0.0 | Published | Oct 02 | http://www.ccsa.org.cn/english/tc/files.php?docpath=/ITU-R/M.1457/M.1457-12/DS |
| ETSI | ETSI TS 122 022 | 5.0.0 | Published | Oct 02 | http://www.etsi.org/deliver/etsi_ts/122000_122099/122022/05.00.00_60/ |
| Release 6 | | | | | |
| ARIB | ARIB STD-T63-22.022 | 6.0.0 | Approved | Jul 13 | http://www.arib.or.jp/english/html/overview/doc/STD-T63v10_00/2_T63/ARIB-STD-T63/Rel6/22/A22022-600.pdf |
| CCSA | CCSA-TSD-DS-22.022 | 6.0.0 | Published | Jan 05 | http://www.ccsa.org.cn/english/tc/files.php?docpath=/ITU-R/M.1457/M.1457-12/DS |
| ETSI | ETSI TS 122 022 | 6.0.0 | Published | Jan 05 | http://www.etsi.org/deliver/etsi_ts/122000_122099/122022/06.00.00_60/ |

Release 7

| | | | | | |
|------|---------------------|-------|-----------|--------|---|
| ARIB | ARIB STD-T63-22.022 | 7.2.0 | Approved | Jul 13 | http://www.arib.or.jp/english/html/overview/doc/STD-T63v10_00/2_T63/ARIB-STD-T63/Rel7/22/A22022-720.pdf |
| CCSA | CCSA-TSD-DS-22.022 | 7.2.0 | Published | Jul 08 | http://www.ccsa.org.cn/english/tc/files.php?docpath=/ITU-R/M.1457/M.1457-12/DS |
| ETSI | ETSI TS 122 022 | 7.2.0 | Published | Jul 08 | http://www.etsi.org/deliver/etsi_ts/122000_122099/122022/07.02.00_60/ |

Release 8

| | | | | | |
|------|--------------------------|-------|-----------|--------|---|
| ARIB | ARIB STD-T63-22.022 | 8.1.0 | Approved | Jul 13 | http://www.arib.or.jp/english/html/overview/doc/STD-T63v10_00/2_T63/ARIB-STD-T63/Rel8/22/A22022-810.pdf |
| CCSA | CCSA-TSD-DS-22.022 | 8.1.0 | Published | Jun 12 | http://www.ccsa.org.cn/english/tc/files.php?docpath=/ITU-R/M.1457/M.1457-12/DS |
| ETSI | ETSI TS 122 022 | 8.1.0 | Published | Jun 10 | http://www.etsi.org/deliver/etsi_ts/122000_122099/122022/08.01.00_60/ |
| TTA | TTAT.3G-22.022(R8-8.0.0) | 8.0.0 | Approved | Jul 09 | http://www.tta.or.kr/data/ttasDown.jsp?where=14688&pk_num=TTAT.3G-22.022(R8-8.0.0) |

Release 9

| | | | | | |
|------|--------------------------|-------|-----------|--------|---|
| ARIB | ARIB STD-T63-22.022 | 9.1.0 | Approved | Jul 13 | http://www.arib.or.jp/english/html/overview/doc/STD-T63v10_00/2_T63/ARIB-STD-T63/Rel9/22/A22022-910.pdf |
| CCSA | CCSA-TSD-DS-22.022 | 9.1.0 | Published | Jun 12 | http://www.ccsa.org.cn/english/tc/files.php?docpath=/ITU-R/M.1457/M.1457-12/DS |
| ETSI | ETSI TS 122 022 | 9.1.0 | Published | Jun 10 | http://www.etsi.org/deliver/etsi_ts/122000_122099/122022/09.01.00_60/ |
| TTA | TTAT.3G-22.022(R9-9.0.0) | 9.0.0 | Approved | Jul 10 | http://www.tta.or.kr/data/ttasDown.jsp?where=14688&pk_num=TTAT.3G-22.022(R9-9.0.0) |

Release 10

| | | | | | |
|------|----------------------------|--------|-----------|--------|---|
| ARIB | ARIB STD-T63-22.022 | 10.0.0 | Approved | Jul 13 | http://www.arib.or.jp/english/html/overview/doc/STD-T63v10_00/2_T63/ARIB-STD-T63/Rel10/22/A22022-a00.pdf |
| CCSA | CCSA-TSD-DS-22.022 | 10.0.0 | Published | Jun 12 | http://www.ccsa.org.cn/english/tc/files.php?docpath=/ITU-R/M.1457/M.1457-12/DS |
| ETSI | ETSI TS 122 022 | 10.0.0 | Published | May 11 | http://www.etsi.org/deliver/etsi_ts/122000_122099/122022/10.00.00_60/ |
| TTA | TTAT.3G-22.022(R10-10.0.0) | 10.0.0 | Approved | Apr 12 | http://www.tta.or.kr/data/ttasDown.jsp?where=14688&pk_num=TTAT.3G-22.022(R10-10.0.0) |

Release 11

| | | | | | |
|------|----------------------------|--------|-----------|--------|---|
| ARIB | ARIB STD-T63-22.022 | 11.0.0 | Approved | Jul 13 | http://www.arib.or.jp/english/html/overview/doc/STD-T63v10_00/2_T63/ARIB-STD-T63/Rel11/22/A22022-b00.pdf |
| CCSA | CCSA-TSD-DS-22.022 | 11.0.0 | Published | Jun 14 | http://www.ccsa.org.cn/english/tc/files.php?docpath=/ITU-R/M.1457/M.1457-12/DS |
| ETSI | ETSI TS 122 022 | 11.0.0 | Published | Oct 12 | http://www.etsi.org/deliver/etsi_ts/122000_122099/122022/11.00.00_60/ |
| TTA | TTAT.3G-22.022(R11-11.0.0) | 11.0.0 | published | Aug 13 | http://www.tta.or.kr/data/ttasDown.jsp?where=14688&pk_num=TTAT.3G-22.022(R11-11.0.0) |

5.1.2.13.12 TS 22.034**High Speed Circuit Switched Data (HSCSD); Stage 1**

This specification describes the Stage 1 description of HSCSD. HSCSD is a feature that allows users subscribing to the general bearer services to access user rates that can be achieved with one or more traffic channel. HSCSD also defines a flexible use of air interface resources, which makes efficient and flexible use of higher user rates feasible.

| SDO (2) | Document No. | Version | Status | Issued date | Location (1) |
|-------------------|---------------------|---------|-----------|-------------|---|
| Release 99 | | | | | |
| ARIB | ARIB STD-T63-22.034 | 3.2.1 | Approved | Jul 13 | http://www.arib.or.jp/english/html/overview/doc/STD-T63v10_00/2_T63/ARIB-STD-T63/R99/22/A22034-321.pdf |
| CCSA | CCSA-TSD-DS-22.034 | 3.2.1 | Published | May 00 | http://www.ccsa.org.cn/english/tc/files.php?docpath=/ITU-R/M.1457/M.1457-12/DS |
| ETSI | ETSI TS 122 034 | 3.2.1 | Published | May 00 | http://www.etsi.org/deliver/etsi_ts/122000_122099/122034/03.02.01_60/ |
| Release 4 | | | | | |
| ARIB | ARIB STD-T63-22.034 | 4.1.0 | Approved | Jul 13 | http://www.arib.or.jp/english/html/overview/doc/STD-T63v10_00/2_T63/ARIB-STD-T63/Rel4/22/A22034-410.pdf |
| CCSA | CCSA-TSD-DS-22.034 | 4.1.0 | Published | Jul 02 | http://www.ccsa.org.cn/english/tc/files.php?docpath=/ITU-R/M.1457/M.1457-12/DS |
| ETSI | ETSI TS 122 034 | 4.1.0 | Published | Jul 02 | http://www.etsi.org/deliver/etsi_ts/122000_122099/122034/04.01.00_60/ |
| Release 5 | | | | | |
| ARIB | ARIB STD-T63-22.034 | 5.0.0 | Approved | Jul 13 | http://www.arib.or.jp/english/html/overview/doc/STD-T63v10_00/2_T63/ARIB-STD-T63/Rel5/22/A22034-500.pdf |

| | | | | | |
|-------------------|----------------------------|--------|-----------|--------|---|
| CCSA | CCSA-TSD-DS-22.034 | 5.0.0 | Published | Jul 02 | http://www.ccsa.org.cn/english/tc/files.php?docpath=/ITU-R/M.1457/M.1457-12/DS |
| ETSI | ETSI TS 122 034 | 5.0.0 | Published | Jul 02 | http://www.etsi.org/deliver/etsi_ts/122000_122099/122034/05.00.00_60/ |
| Release 6 | | | | | |
| ARIB | ARIB STD-T63-22.034 | 6.0.0 | Approved | Jul 13 | http://www.arib.or.jp/english/html/overview/doc/STD-T63v10_00/2_T63/ARIB-STD-T63/Rel6/22/A22034-600.pdf |
| CCSA | CCSA-TSD-DS-22.034 | 6.0.0 | Published | Jan 05 | http://www.ccsa.org.cn/english/tc/files.php?docpath=/ITU-R/M.1457/M.1457-12/DS |
| ETSI | ETSI TS 122 034 | 6.0.0 | Published | Jan 05 | http://www.etsi.org/deliver/etsi_ts/122000_122099/122034/06.00.00_60/ |
| Release 7 | | | | | |
| ARIB | ARIB STD-T63-22.034 | 7.0.0 | Approved | Jul 13 | http://www.arib.or.jp/english/html/overview/doc/STD-T63v10_00/2_T63/ARIB-STD-T63/Rel7/22/A22034-700.pdf |
| CCSA | CCSA-TSD-DS-22.034 | 7.0.0 | Published | Jul 07 | http://www.ccsa.org.cn/english/tc/files.php?docpath=/ITU-R/M.1457/M.1457-12/DS |
| ETSI | ETSI TS 122 034 | 7.0.0 | Published | Jul 07 | http://www.etsi.org/deliver/etsi_ts/122000_122099/122034/07.00.00_60/ |
| Release 8 | | | | | |
| ARIB | ARIB STD-T63-22.034 | 8.0.0 | Approved | Jul 13 | http://www.arib.or.jp/english/html/overview/doc/STD-T63v10_00/2_T63/ARIB-STD-T63/Rel8/22/A22034-800.pdf |
| CCSA | CCSA-TSD-DS-22.034 | 8.0.0 | Published | Jan 09 | http://www.ccsa.org.cn/english/tc/files.php?docpath=/ITU-R/M.1457/M.1457-12/DS |
| ETSI | ETSI TS 122 034 | 8.0.0 | Published | Jan 09 | http://www.etsi.org/deliver/etsi_ts/122000_122099/122034/08.00.00_60/ |
| TTA | TTAT.3G-22.034(R8-8.0.0) | 8.0.0 | Approved | Jul 09 | http://www.tta.or.kr/data/ttasDown.jsp?where=14688&pk_num=TTAT.3G-22.034(R8-8.0.0) |
| Release 9 | | | | | |
| ARIB | ARIB STD-T63-22.034 | 9.0.0 | Approved | Jul 13 | http://www.arib.or.jp/english/html/overview/doc/STD-T63v10_00/2_T63/ARIB-STD-T63/Rel9/22/A22034-900.pdf |
| CCSA | CCSA-TSD-DS-22.034 | 9.0.0 | Published | Mar 10 | http://www.ccsa.org.cn/english/tc/files.php?docpath=/ITU-R/M.1457/M.1457-12/DS |
| ETSI | ETSI TS 122 034 | 9.0.0 | Published | Jan 10 | http://www.etsi.org/deliver/etsi_ts/122000_122099/122034/09.00.00_60/ |
| TTA | TTAT.3G-22.034(R9-9.0.0) | 9.0.0 | Approved | Jul 10 | http://www.tta.or.kr/data/ttasDown.jsp?where=14688&pk_num=TTAT.3G-22.034(R9-9.0.0) |
| Release 10 | | | | | |
| ARIB | ARIB STD-T63-22.034 | 10.0.0 | Approved | Jul 13 | http://www.arib.or.jp/english/html/overview/doc/STD-T63v10_00/2_T63/ARIB-STD-T63/Rel10/22/A22034-a00.pdf |
| CCSA | CCSA-TSD-DS-22.034 | 10.0.0 | Published | Jun 12 | http://www.ccsa.org.cn/english/tc/files.php?docpath=/ITU-R/M.1457/M.1457-12/DS |
| ETSI | ETSI TS 122 034 | 10.0.0 | Published | May 11 | http://www.etsi.org/deliver/etsi_ts/122000_122099/122034/10.00.00_60/ |
| TTA | TTAT.3G-22.034(R10-10.0.0) | 10.0.0 | Approved | Apr 12 | http://www.tta.or.kr/data/ttasDown.jsp?where=14688&pk_num=TTAT.3G-22.034(R10-10.0.0) |
| Release 11 | | | | | |
| ARIB | ARIB STD-T63-22.034 | 11.0.0 | Approved | Jul 13 | http://www.arib.or.jp/english/html/overview/doc/STD-T63v10_00/2_T63/ARIB-STD-T63/Rel11/22/A22034-b00.pdf |
| CCSA | CCSA-TSD-DS-22.034 | 11.0.0 | Published | Jun 14 | http://www.ccsa.org.cn/english/tc/files.php?docpath=/ITU-R/M.1457/M.1457-12/DS |
| ETSI | ETSI TS 122 034 | 11.0.0 | Published | Oct 12 | http://www.etsi.org/deliver/etsi_ts/122000_122099/122034/11.00.00_60/ |
| TTA | TTAT.3G-22.034(R11-11.0.0) | 11.0.0 | published | Aug 13 | http://www.tta.or.kr/data/ttasDown.jsp?where=14688&pk_num=TTAT.3G-22.034(R11-11.0.0) |

5.1.2.13.13 TS 22.038

(U)SIM Application Toolkit (USAT); Service description; Stage 1

This specification describes the Stage 1 description of the SAT primarily from the subscribers and serving environments points of view, and does not deal with the details of the human interface itself. It includes information applicable to network operators, serving environments and terminal, switch and database manufacturers and contains the core requirements for a SAT which are sufficient to provide a complete service.

| SDO (2) | Document No. | Version | Status | Issued date | Location (1) |
|-------------------|---------------------|---------|-----------|-------------|---|
| Release 99 | | | | | |
| ARIB | ARIB STD-T63-22.038 | 3.4.0 | Approved | Jul 13 | http://www.arib.or.jp/english/html/overview/doc/STD-T63v10_00/2_T63/ARIB-STD-T63/R99/22/A22038-340.pdf |
| CCSA | CCSA-TSD-DS-22.038 | 3.4.0 | Published | Jan 04 | http://www.ccsa.org.cn/english/tc/files.php?docpath=/ITU-R/M.1457/M.1457-12/DS |

| | | | | | |
|-------------------|----------------------------|--------|-----------|--------|---|
| ETSI | ETSI TS 122 038 | 3.4.0 | Published | Jan 04 | http://www.etsi.org/deliver/etsi_ts/122000_122099/122038/03.04.00_60/ |
| Release 4 | | | | | |
| ARIB | ARIB STD-T63-22.038 | 4.3.0 | Approved | Jul 13 | http://www.arib.or.jp/english/html/overview/doc/STD-T63v10_00/2_T63/ARIB-STD-T63/Rel4/22/A22038-430.pdf |
| CCSA | CCSA-TSD-DS-22.038 | 4.3.0 | Published | Jan 04 | http://www.ccsa.org.cn/english/tc/files.php?docpath=/ITU-R/M.1457/M.1457-12/DS |
| ETSI | ETSI TS 122 038 | 4.3.0 | Published | Jan 04 | http://www.etsi.org/deliver/etsi_ts/122000_122099/122038/04.03.00_60/ |
| Release 5 | | | | | |
| ARIB | ARIB STD-T63-22.038 | 5.4.0 | Approved | Jul 13 | http://www.arib.or.jp/english/html/overview/doc/STD-T63v10_00/2_T63/ARIB-STD-T63/Rel5/22/A22038-540.pdf |
| CCSA | CCSA-TSD-DS-22.038 | 5.4.0 | Published | Jan 04 | http://www.ccsa.org.cn/english/tc/files.php?docpath=/ITU-R/M.1457/M.1457-12/DS |
| ETSI | ETSI TS 122 038 | 5.4.0 | Published | Jan 04 | http://www.etsi.org/deliver/etsi_ts/122000_122099/122038/05.04.00_60/ |
| Release 6 | | | | | |
| ARIB | ARIB STD-T63-22.038 | 6.5.0 | Approved | Jul 13 | http://www.arib.or.jp/english/html/overview/doc/STD-T63v10_00/2_T63/ARIB-STD-T63/Rel6/22/A22038-650.pdf |
| CCSA | CCSA-TSD-DS-22.038 | 6.5.0 | Published | Oct 05 | http://www.ccsa.org.cn/english/tc/files.php?docpath=/ITU-R/M.1457/M.1457-12/DS |
| ETSI | ETSI TS 122 038 | 6.5.0 | Published | Oct 05 | http://www.etsi.org/deliver/etsi_ts/122000_122099/122038/06.05.00_60/ |
| Release 7 | | | | | |
| ARIB | ARIB STD-T63-22.038 | 7.5.0 | Approved | Jul 13 | http://www.arib.or.jp/english/html/overview/doc/STD-T63v10_00/2_T63/ARIB-STD-T63/Rel7/22/A22038-750.pdf |
| CCSA | CCSA-TSD-DS-22.038 | 7.5.0 | Published | Jan 06 | http://www.ccsa.org.cn/english/tc/files.php?docpath=/ITU-R/M.1457/M.1457-12/DS |
| ETSI | ETSI TS 122 038 | 7.5.0 | Published | Jan 06 | http://www.etsi.org/deliver/etsi_ts/122000_122099/122038/07.05.00_60/ |
| Release 8 | | | | | |
| ARIB | ARIB STD-T63-22.038 | 8.0.1 | Approved | Jul 13 | http://www.arib.or.jp/english/html/overview/doc/STD-T63v10_00/2_T63/ARIB-STD-T63/Rel8/22/A22038-801.pdf |
| CCSA | CCSA-TSD-DS-22.038 | 8.0.1 | Published | Oct 08 | http://www.ccsa.org.cn/english/tc/files.php?docpath=/ITU-R/M.1457/M.1457-12/DS |
| ETSI | ETSI TS 122 038 | 8.0.1 | Published | Oct 08 | http://www.etsi.org/deliver/etsi_ts/122000_122099/122038/08.00.01_60/ |
| TTA | TTAT.3G-22.038(R8-8.0.1) | 8.0.1 | Approved | Jul 09 | http://www.tta.or.kr/data/ttasDown.jsp?where=14688&pk_num=TTAT.3G-22.038(R8-8.0.1) |
| Release 9 | | | | | |
| ARIB | ARIB STD-T63-22.038 | 9.0.0 | Approved | Jul 13 | http://www.arib.or.jp/english/html/overview/doc/STD-T63v10_00/2_T63/ARIB-STD-T63/Rel9/22/A22038-900.pdf |
| CCSA | CCSA-TSD-DS-22.038 | 9.0.0 | Published | Mar 10 | http://www.ccsa.org.cn/english/tc/files.php?docpath=/ITU-R/M.1457/M.1457-12/DS |
| ETSI | ETSI TS 122 038 | 9.0.0 | Published | Jan 10 | http://www.etsi.org/deliver/etsi_ts/122000_122099/122038/09.00.00_60/ |
| TTA | TTAT.3G-22.038(R9-9.0.0) | 9.0.0 | Approved | Jul 10 | http://www.tta.or.kr/data/ttasDown.jsp?where=14688&pk_num=TTAT.3G-22.038(R9-9.0.0) |
| Release 10 | | | | | |
| ARIB | ARIB STD-T63-22.038 | 10.0.1 | Approved | Jul 13 | http://www.arib.or.jp/english/html/overview/doc/STD-T63v10_00/2_T63/ARIB-STD-T63/Rel10/22/A22038-a01.pdf |
| CCSA | CCSA-TSD-DS-22.038 | 10.0.1 | Published | Jun 12 | http://www.ccsa.org.cn/english/tc/files.php?docpath=/ITU-R/M.1457/M.1457-12/DS |
| ETSI | ETSI TS 122 038 | 10.0.1 | Published | May 11 | http://www.etsi.org/deliver/etsi_ts/122000_122099/122038/10.00.01_60/ |
| TTA | TTAT.3G-22.038(R10-10.0.1) | 10.0.1 | Approved | Apr 12 | http://www.tta.or.kr/data/ttasDown.jsp?where=14688&pk_num=TTAT.3G-22.038(R10-10.0.1) |
| Release 11 | | | | | |
| ARIB | ARIB STD-T63-22.038 | 11.0.0 | Approved | Jul 13 | http://www.arib.or.jp/english/html/overview/doc/STD-T63v10_00/2_T63/ARIB-STD-T63/Rel11/22/A22038-b00.pdf |
| CCSA | CCSA-TSD-DS-22.038 | 11.0.0 | Published | Jun 14 | http://www.ccsa.org.cn/english/tc/files.php?docpath=/ITU-R/M.1457/M.1457-12/DS |
| ETSI | ETSI TS 122 038 | 11.0.0 | Published | Oct 12 | http://www.etsi.org/deliver/etsi_ts/122000_122099/122038/11.00.00_60/ |
| TTA | TTAT.3G-22.038(R11-11.0.0) | 11.0.0 | published | Aug 13 | http://www.tta.or.kr/data/ttasDown.jsp?where=14688&pk_num=TTAT.3G-22.038(R11-11.0.0) |

5.1.2.13.14 TS 22.041

Operator Determined Barring (ODB)

This document specifies the network feature Operator Determined Barring (ODB), which allows the network operator or service provider to regulate, by means of an exceptional procedure, access by the subscribers to services (both Circuit and Packet Oriented), by the barring of certain categories of outgoing

or incoming calls/Packet Oriented Services or of roaming.

| SDO (2) | Document No. | Version | Status | Issued date | Location (1) |
|-------------------|-----------------------------|---------|-----------|-------------|---|
| Release 99 | | | | | |
| ETSI | ETSI TS 122 041 | 3.3.1 | Published | Jun 01 | http://www.etsi.org/deliver/etsi_ts/122000_122099/122041/03.03.01_60/ |
| TTC | TS-3GA-22.041(R99)v3.3.1 | 3.3.1 | Approved | May 01 | http://www.ttc.or.jp/j/document_list/free/TS/TS-3GA-22.041(R99)v3.3.1.pdf |
| Release 4 | | | | | |
| ETSI | ETSI TS 122 041 | 4.1.0 | Published | Apr 01 | http://www.etsi.org/deliver/etsi_ts/122000_122099/122041/04.01.00_60/ |
| TTC | TS-3GA-22.041(Rel4)v4.1.0 | 4.1.0 | Approved | May 01 | http://www.ttc.or.jp/j/document_list/free/TS/TS-3GA-22.041(Rel4)v4.1.0.pdf |
| Release 5 | | | | | |
| ETSI | ETSI TS 122 041 | 5.0.0 | Published | Jul 02 | http://www.etsi.org/deliver/etsi_ts/122000_122099/122041/05.00.00_60/ |
| TTC | TS-3GA-22.041(Rel5)v5.0.0 | 5.0.0 | Approved | Aug 02 | http://www.ttc.or.jp/j/document_list/free/TS/TS-3GA-22.041(Rel5)v5.0.0.pdf |
| Release 6 | | | | | |
| ETSI | ETSI TS 122 041 | 6.2.0 | Published | Jan 05 | http://www.etsi.org/deliver/etsi_ts/122000_122099/122041/06.02.00_60/ |
| TTC | TS-3GA-22.041(Rel6)v6.2.0 | 6.2.0 | Approved | Mar 05 | http://www.ttc.or.jp/j/document_list/free/TS/TS-3GA-22.041(Rel6)v6.2.0.pdf |
| Release 7 | | | | | |
| ETSI | ETSI TS 122 041 | 7.0.0 | Published | Apr 07 | http://www.etsi.org/deliver/etsi_ts/122000_122099/122041/07.00.00_60/ |
| TTC | TS-3GA-22.041(Rel7)v7.0.0 | 7.0.0 | Approved | Mar 08 | http://www.ttc.or.jp/j/document_list/free/TS/TS-3GA-22.041(Rel7)v7.0.0.pdf |
| Release 8 | | | | | |
| ETSI | ETSI TS 122 041 | 8.1.0 | Published | Jan 08 | http://www.etsi.org/deliver/etsi_ts/122000_122099/122041/08.01.00_60/ |
| TTC | TS-3GA-22.041(Rel8)v8.1.0 | 8.1.0 | Approved | Feb 09 | http://www.ttc.or.jp/j/document_list/free/3gpps2009/TS/TS-3GA-22.041(Rel8)v8.1.0.pdf |
| Release 9 | | | | | |
| ETSI | ETSI TS 122 041 | 9.0.0 | Published | Jan 10 | http://www.etsi.org/deliver/etsi_ts/122000_122099/122041/09.00.00_60/ |
| TTC | TS-3GA-22.041(Rel9)v9.0.0 | 9.0.0 | Approved | Jul 10 | http://www.ttc.or.jp/j/document_list/free/3gpps2010/TS/TS-3GA-22.041(Rel9)v9.0.0.pdf |
| Release 10 | | | | | |
| ETSI | ETSI TS 122 041 | 10.0.0 | Published | May 11 | http://www.etsi.org/deliver/etsi_ts/122000_122099/122041/10.00.00_60/ |
| TTC | TS-3GA-22.041(Rel10)v10.0.0 | 10.0.0 | Approved | Jun 11 | http://www.ttc.or.jp/jp/document_list/free/3gpps2011/TS/TS-3GA-22.041(Rel10)v10.0.0.pdf |
| Release 11 | | | | | |
| CCSA | CCSA-TSD-DS-22.041 | 11.3.0 | Published | Jun 14 | http://www.ccsa.org.cn/english/tc/files.php?docpath=/ITU-R/M.1457/M.1457-12/DS |
| ETSI | ETSI TS 122 041 | 11.2.0 | Published | Apr 13 | http://www.etsi.org/deliver/etsi_ts/122000_122099/122041/11.02.00_60/ |
| TTA | TTAT.3G-22.041(R11-11.2.0) | 11.2.0 | published | Aug 13 | http://www.tta.or.kr/data/ttasDown.jsp?where=14688&pk_num=TTAT.3G-22.041(R11-11.2.0) |
| TTC | TS-3GA-22.041(Rel11)v11.2.0 | 11.2.0 | Approved | Jun 13 | http://www.ttc.or.jp/jp/document_list/free/3gpps2013/TS/TS-3GA-22.041(Rel11)v11.2.0.pdf |

5.1.2.13.15 TS 22.057

Mobile Execution Environment (MExE); Service description; Stage 1

This document defines the stage one description of the Mobile Execution Environment (MExE). The scope of this 3GPP TS encompasses the MExE functionality in the UE, interaction with the MExE service environment. The MExE service environment is not necessarily restricted to the PLMN, and nodes providing MExE services (i.e. MExE servers) may also exist outside the PLMN. Aspects of the support provided by MExE servers within the MExE service environment (such as charging aspects, security level classification etc.) are covered by this specification, but not the MExE servers themselves.

| SDO (2) | Document No. | Version | Status | Issued date | Location (1) |
|-------------------|----------------------------|---------|-----------|-------------|---|
| Release 99 | | | | | |
| ARIB | ARIB STD-T63-22.057 | 3.0.1 | Approved | Jul 13 | http://www.arib.or.jp/english/html/overview/doc/STD-T63v10_00/2_T63/ARIB-STD-T63/R99/22/A22057-301.pdf |
| CCSA | CCSA-TSD-DS-22.057 | 3.0.1 | Published | Jun 12 | http://www.ccsa.org.cn/english/tc/files.php?docpath=/ITU-R/M.1457/M.1457-12/DS |
| ETSI | ETSI TS 122 057 | 3.0.1 | Published | Feb 00 | http://www.etsi.org/deliver/etsi_ts/122000_122099/122057/03.00.01_60/ |
| Release 4 | | | | | |
| ARIB | ARIB STD-T63-22.057 | 4.1.0 | Approved | Jul 13 | http://www.arib.or.jp/english/html/overview/doc/STD-T63v10_00/2_T63/ARIB-STD-T63/Rel4/22/A22057-410.pdf |
| CCSA | CCSA-TSD-DS-22.057 | 4.1.0 | Published | Jun 12 | http://www.ccsa.org.cn/english/tc/files.php?docpath=/ITU-R/M.1457/M.1457-12/DS |
| ETSI | ETSI TS 122 057 | 4.1.0 | Published | Apr 02 | http://www.etsi.org/deliver/etsi_ts/122000_122099/122057/04.01.00_60/ |
| Release 5 | | | | | |
| ARIB | ARIB STD-T63-22.057 | 5.4.0 | Approved | Jul 13 | http://www.arib.or.jp/english/html/overview/doc/STD-T63v10_00/2_T63/ARIB-STD-T63/Rel5/22/A22057-540.pdf |
| CCSA | CCSA-TSD-DS-22.057 | 5.4.0 | Published | Jun 12 | http://www.ccsa.org.cn/english/tc/files.php?docpath=/ITU-R/M.1457/M.1457-12/DS |
| ETSI | ETSI TS 122 057 | 5.4.0 | Published | Jul 02 | http://www.etsi.org/deliver/etsi_ts/122000_122099/122057/05.04.00_60/ |
| Release 6 | | | | | |
| ARIB | ARIB STD-T63-22.057 | 6.0.0 | Approved | Jul 13 | http://www.arib.or.jp/english/html/overview/doc/STD-T63v10_00/2_T63/ARIB-STD-T63/Rel6/22/A22057-600.pdf |
| CCSA | CCSA-TSD-DS-22.057 | 6.0.0 | Published | Jun 12 | http://www.ccsa.org.cn/english/tc/files.php?docpath=/ITU-R/M.1457/M.1457-12/DS |
| ETSI | ETSI TS 122 057 | 6.0.0 | Published | Jan 05 | http://www.etsi.org/deliver/etsi_ts/122000_122099/122057/06.00.00_60/ |
| Release 7 | | | | | |
| ARIB | ARIB STD-T63-22.057 | 7.0.0 | Approved | Jul 13 | http://www.arib.or.jp/english/html/overview/doc/STD-T63v10_00/2_T63/ARIB-STD-T63/Rel7/22/A22057-700.pdf |
| CCSA | CCSA-TSD-DS-22.057 | 7.0.0 | Published | Jun 12 | http://www.ccsa.org.cn/english/tc/files.php?docpath=/ITU-R/M.1457/M.1457-12/DS |
| ETSI | ETSI TS 122 057 | 7.0.0 | Published | Jul 07 | http://www.etsi.org/deliver/etsi_ts/122000_122099/122057/07.00.00_60/ |
| Release 8 | | | | | |
| ARIB | ARIB STD-T63-22.057 | 8.0.0 | Approved | Jul 13 | http://www.arib.or.jp/english/html/overview/doc/STD-T63v10_00/2_T63/ARIB-STD-T63/Rel8/22/A22057-800.pdf |
| CCSA | CCSA-TSD-DS-22.057 | 8.0.0 | Published | Jun 12 | http://www.ccsa.org.cn/english/tc/files.php?docpath=/ITU-R/M.1457/M.1457-12/DS |
| ETSI | ETSI TS 122 057 | 8.0.0 | Published | Jan 09 | http://www.etsi.org/deliver/etsi_ts/122000_122099/122057/08.00.00_60/ |
| Release 9 | | | | | |
| ARIB | ARIB STD-T63-22.057 | 9.0.0 | Approved | Jul 13 | http://www.arib.or.jp/english/html/overview/doc/STD-T63v10_00/2_T63/ARIB-STD-T63/Rel9/22/A22057-900.pdf |
| CCSA | CCSA-TSD-DS-22.057 | 9.0.0 | Published | Jun 12 | http://www.ccsa.org.cn/english/tc/files.php?docpath=/ITU-R/M.1457/M.1457-12/DS |
| ETSI | ETSI TS 122 057 | 9.0.0 | Published | Jan 10 | http://www.etsi.org/deliver/etsi_ts/122000_122099/122057/09.00.00_60/ |
| Release 10 | | | | | |
| ARIB | ARIB STD-T63-22.057 | 10.0.0 | Approved | Jul 13 | http://www.arib.or.jp/english/html/overview/doc/STD-T63v10_00/2_T63/ARIB-STD-T63/Rel10/22/A22057-a00.pdf |
| CCSA | CCSA-TSD-DS-22.057 | 10.0.0 | Published | Jun 12 | http://www.ccsa.org.cn/english/tc/files.php?docpath=/ITU-R/M.1457/M.1457-12/DS |
| ETSI | ETSI TS 122 057 | 10.0.0 | Published | May 11 | http://www.etsi.org/deliver/etsi_ts/122000_122099/122057/10.00.00_60/ |
| TTA | TTAT.3G-22.057(R10-10.0.0) | 10.0.0 | Approved | Apr 12 | http://www.tta.or.kr/data/ttasDown.jsp?where=14688&pk_num=TTAT.3G-22.057(R10-10.0.0) |
| Release 11 | | | | | |
| ARIB | ARIB STD-T63-22.057 | 11.0.0 | Approved | Jul 13 | http://www.arib.or.jp/english/html/overview/doc/STD-T63v10_00/2_T63/ARIB-STD-T63/Rel11/22/A22057-b00.pdf |
| CCSA | CCSA-TSD-DS-22.057 | 11.0.0 | Published | Jun 14 | http://www.ccsa.org.cn/english/tc/files.php?docpath=/ITU-R/M.1457/M.1457-12/DS |
| ETSI | ETSI TS 122 057 | 11.0.0 | Published | Oct 12 | http://www.etsi.org/deliver/etsi_ts/122000_122099/122057/11.00.00_60/ |
| TTA | TTAT.3G-22.057(R11-11.0.0) | 11.0.0 | published | Aug 13 | http://www.tta.or.kr/data/ttasDown.jsp?where=14688&pk_num=TTAT.3G-22.057(R11-11.0.0) |

5.1.2.13.16 TS 22.060

General Packet Radio Service (GPRS); Service description; Stage 1

This specification describes the Stage 1 description of the GPRS.

| SDO (2) | Document No. | Version | Status | Issued date | Location (1) |
|-------------------|-----------------------------|---------|-----------|-------------|---|
| Release 99 | | | | | |
| CCSA | CCSA-TSD-DS-22.060 | 3.5.0 | Published | Nov 00 | http://www.ccsa.org.cn/english/tc/files.php?docpath=/ITU-R/M.1457/M.1457-12/DS |
| ETSI | ETSI TS 122 060 | 3.5.0 | Published | Nov 00 | http://www.etsi.org/deliver/etsi_ts/122000_122099/122060/03.05.00_60/ |
| TTC | JP-3GA-22.060(R99) | 3.5.0 | Approved | May 01 | http://www.ttc.or.jp/j/document_list/pdf/j/STD/JP-3GA-22.060(R99)v3.pdf |
| Release 4 | | | | | |
| CCSA | CCSA-TSD-DS-22.060 | 4.4.0 | Published | Jul 02 | http://www.ccsa.org.cn/english/tc/files.php?docpath=/ITU-R/M.1457/M.1457-12/DS |
| ETSI | ETSI TS 122 060 | 4.4.0 | Published | Jul 02 | http://www.etsi.org/deliver/etsi_ts/122000_122099/122060/04.04.00_60/ |
| TTC | TS-3GA-22.060(Rel4)v4.4.0 | 4.4.0 | Approved | Aug 02 | http://www.ttc.or.jp/j/document_list/free/TS/TS-3GA-22.060(Rel4)v4.4.0.pdf |
| Release 5 | | | | | |
| CCSA | CCSA-TSD-DS-22.060 | 5.3.0 | Published | Apr 03 | http://www.ccsa.org.cn/english/tc/files.php?docpath=/ITU-R/M.1457/M.1457-12/DS |
| ETSI | ETSI TS 122 060 | 5.3.0 | Published | Apr 03 | http://www.etsi.org/deliver/etsi_ts/122000_122099/122060/05.03.00_60/ |
| TTC | TS-3GA-22.060(Rel5)v5.3.0 | 5.3.0 | Approved | May 03 | http://www.ttc.or.jp/j/document_list/free/TS/TS-3GA-22.060(Rel5)v5.3.0.pdf |
| Release 6 | | | | | |
| CCSA | CCSA-TSD-DS-22.060 | 6.0.0 | Published | Jan 05 | http://www.ccsa.org.cn/english/tc/files.php?docpath=/ITU-R/M.1457/M.1457-12/DS |
| ETSI | ETSI TS 122 060 | 6.0.0 | Published | Jan 05 | http://www.etsi.org/deliver/etsi_ts/122000_122099/122060/06.00.00_60/ |
| TTC | TS-3GA-22.060(Rel6)v6.0.0 | 6.0.0 | Approved | Mar 08 | http://www.ttc.or.jp/j/document_list/free/TS/TS-3GA-22.060(Rel6)v6.0.0.pdf |
| Release 7 | | | | | |
| CCSA | CCSA-TSD-DS-22.060 | 7.0.0 | Published | Jul 07 | http://www.ccsa.org.cn/english/tc/files.php?docpath=/ITU-R/M.1457/M.1457-12/DS |
| ETSI | ETSI TS 122 060 | 7.0.0 | Published | Jul 07 | http://www.etsi.org/deliver/etsi_ts/122000_122099/122060/07.00.00_60/ |
| TTC | TS-3GA-22.060(Rel7)v7.0.0 | 7.0.0 | Approved | Mar 08 | http://www.ttc.or.jp/j/document_list/free/TS/TS-3GA-22.060(Rel7)v7.0.0.pdf |
| Release 8 | | | | | |
| CCSA | CCSA-TSD-DS-22.060 | 8.0.0 | Published | Jan 09 | http://www.ccsa.org.cn/english/tc/files.php?docpath=/ITU-R/M.1457/M.1457-12/DS |
| ETSI | ETSI TS 122 060 | 8.0.0 | Published | Jan 09 | http://www.etsi.org/deliver/etsi_ts/122000_122099/122060/08.00.00_60/ |
| TTA | TTAT.3G-22.060(R8-8.0.0) | 8.0.0 | Approved | Jul 09 | http://www.tta.or.kr/data/ttasDown.jsp?where=14688&pk_num=TTAT.3G-22.060(R8-8.0.0) |
| TTC | TS-3GA-22.060(Rel8)v8.0.0 | 8.0.0 | Approved | Feb 09 | http://www.ttc.or.jp/j/document_list/free/3gpps2009/TS/TS-3GA-22.060(Rel8)v8.0.0.pdf |
| Release 9 | | | | | |
| CCSA | CCSA-TSD-DS-22.060 | 9.0.0 | Published | Mar 10 | http://www.ccsa.org.cn/english/tc/files.php?docpath=/ITU-R/M.1457/M.1457-12/DS |
| ETSI | ETSI TS 122 060 | 9.0.0 | Published | Feb 10 | http://www.etsi.org/deliver/etsi_ts/122000_122099/122060/09.00.00_60/ |
| TTA | TTAT.3G-22.060(R9-9.0.0) | 9.0.0 | Approved | Jul 10 | http://www.tta.or.kr/data/ttasDown.jsp?where=14688&pk_num=TTAT.3G-22.060(R9-9.0.0) |
| TTC | TS-3GA-22.060(Rel9)v9.0.0 | 9.0.0 | Approved | Jul 10 | http://www.ttc.or.jp/j/document_list/free/3gpps2010/TS/TS-3GA-22.060(Rel9)v9.0.0.pdf |
| Release 10 | | | | | |
| CCSA | CCSA-TSD-DS-22.060 | 10.0.0 | Published | Jun 12 | http://www.ccsa.org.cn/english/tc/files.php?docpath=/ITU-R/M.1457/M.1457-12/DS |
| ETSI | ETSI TS 122 060 | 10.0.0 | Published | May 11 | http://www.etsi.org/deliver/etsi_ts/122000_122099/122060/10.00.00_60/ |
| TTA | TTAT.3G-22.060(R10-10.0.0) | 10.0.0 | Approved | Apr 12 | http://www.tta.or.kr/data/ttasDown.jsp?where=14688&pk_num=TTAT.3G-22.060(R10-10.0.0) |
| TTC | TS-3GA-22.060(Rel10)v10.0.0 | 10.0.0 | Approved | Jun 11 | http://www.ttc.or.jp/j/document_list/free/3gpps2011/TS/TS-3GA-22.060(Rel10)v10.0.0.pdf |
| Release 11 | | | | | |
| CCSA | CCSA-TSD-DS-22.060 | 11.0.0 | Published | Jun 14 | http://www.ccsa.org.cn/english/tc/files.php?docpath=/ITU-R/M.1457/M.1457-12/DS |
| ETSI | ETSI TS 122 060 | 11.0.0 | Published | Oct 12 | http://www.etsi.org/deliver/etsi_ts/122000_122099/122060/11.00.00_60/ |
| TTA | TTAT.3G-22.060(R11-11.0.0) | 11.0.0 | published | Aug 13 | http://www.tta.or.kr/data/ttasDown.jsp?where=14688&pk_num=TTAT.3G-22.060(R11-11.0.0) |
| TTC | TS-3GA-22.060(Rel11)v11.0.0 | 11.0.0 | Approved | Jun 13 | http://www.ttc.or.jp/j/document_list/free/3gpps2013/TS/TS-3GA-22.060(Rel11)v11.0.0.pdf |

5.1.2.13.17 TS 22.067**Enhanced Multi Level Precedence and Pre-emption service (eMLPP); Stage 1**

This specification describes the Stage 1 description of the enhanced multi-level precedence and pre-emption (eMLPP) service. This service has two parts: precedence and pre-emption. Precedence involves assigning a priority level to a call in combination with fast call set-up. Pre-emption involves the seizing of resources, which are in use by a call of a lower precedence, by a higher level precedence call in the absence of idle resources. Pre-emption can also involve the disconnection of an on-going call of lower precedence to accept an incoming call of higher precedence.

| SDO (2) | Document No. | Version | Status | Issued date | Location (1) |
|-------------------|--------------------------|---------|-----------|-------------|---|
| Release 99 | | | | | |
| ARIB | ARIB STD-T63-22.067 | 3.0.1 | Approved | Jul 13 | http://www.arib.or.jp/english/html/overview/doc/STD-T63v10_00/2_T63/ARIB-STD-T63/R99/22/A22067-301.pdf |
| CCSA | CCSA-TSD-DS-22.067 | 3.0.1 | Published | Feb 00 | http://www.ccsa.org.cn/english/tc/files.php?docpath=/ITU-R/M.1457/M.1457-12/DS |
| ETSI | ETSI TS 122 067 | 3.0.1 | Published | Feb 00 | http://www.etsi.org/deliver/etsi_ts/122000_122099/122067/03.00.01_60/ |
| Release 4 | | | | | |
| ARIB | ARIB STD-T63-22.067 | 4.1.0 | Approved | Jul 13 | http://www.arib.or.jp/english/html/overview/doc/STD-T63v10_00/2_T63/ARIB-STD-T63/Rel4/22/A22067-410.pdf |
| CCSA | CCSA-TSD-DS-22.067 | 4.1.0 | Published | Apr 02 | http://www.ccsa.org.cn/english/tc/files.php?docpath=/ITU-R/M.1457/M.1457-12/DS |
| ETSI | ETSI TS 122 067 | 4.1.0 | Published | Apr 02 | http://www.etsi.org/deliver/etsi_ts/122000_122099/122067/04.01.00_60/ |
| Release 5 | | | | | |
| ARIB | ARIB STD-T63-22.067 | 5.0.0 | Approved | Jul 13 | http://www.arib.or.jp/english/html/overview/doc/STD-T63v10_00/2_T63/ARIB-STD-T63/Rel5/22/A22067-500.pdf |
| CCSA | CCSA-TSD-DS-22.067 | 5.0.0 | Published | Jul 02 | http://www.ccsa.org.cn/english/tc/files.php?docpath=/ITU-R/M.1457/M.1457-12/DS |
| ETSI | ETSI TS 122 067 | 5.0.0 | Published | Jul 02 | http://www.etsi.org/deliver/etsi_ts/122000_122099/122067/05.00.00_60/ |
| Release 6 | | | | | |
| ARIB | ARIB STD-T63-22.067 | 6.1.0 | Approved | Jul 13 | http://www.arib.or.jp/english/html/overview/doc/STD-T63v10_00/2_T63/ARIB-STD-T63/Rel6/22/A22067-610.pdf |
| CCSA | CCSA-TSD-DS-22.067 | 6.1.0 | Published | Jan 05 | http://www.ccsa.org.cn/english/tc/files.php?docpath=/ITU-R/M.1457/M.1457-12/DS |
| ETSI | ETSI TS 122 067 | 6.1.0 | Published | Jan 05 | http://www.etsi.org/deliver/etsi_ts/122000_122099/122067/06.01.00_60/ |
| Release 7 | | | | | |
| ARIB | ARIB STD-T63-22.067 | 7.0.0 | Approved | Jul 13 | http://www.arib.or.jp/english/html/overview/doc/STD-T63v10_00/2_T63/ARIB-STD-T63/Rel7/22/A22067-700.pdf |
| CCSA | CCSA-TSD-DS-22.067 | 7.0.0 | Published | Apr 07 | http://www.ccsa.org.cn/english/tc/files.php?docpath=/ITU-R/M.1457/M.1457-12/DS |
| ETSI | ETSI TS 122 067 | 7.0.0 | Published | Apr 07 | http://www.etsi.org/deliver/etsi_ts/122000_122099/122067/07.00.00_60/ |
| Release 8 | | | | | |
| ARIB | ARIB STD-T63-22.067 | 8.0.0 | Approved | Jul 13 | http://www.arib.or.jp/english/html/overview/doc/STD-T63v10_00/2_T63/ARIB-STD-T63/Rel8/22/A22067-800.pdf |
| CCSA | CCSA-TSD-DS-22.067 | 8.0.0 | Published | Jan 08 | http://www.ccsa.org.cn/english/tc/files.php?docpath=/ITU-R/M.1457/M.1457-12/DS |
| ETSI | ETSI TS 122 067 | 8.0.0 | Published | Jan 08 | http://www.etsi.org/deliver/etsi_ts/122000_122099/122067/08.00.00_60/ |
| TTA | TTAT.3G-22.067(R8-8.0.0) | 8.0.0 | Approved | Jul 09 | http://www.tta.or.kr/data/ttasDown.jsp?where=14688&pk_num=TTAT.3G-22.067(R8-8.0.0) |
| Release 9 | | | | | |
| ARIB | ARIB STD-T63-22.067 | 9.0.0 | Approved | Jul 13 | http://www.arib.or.jp/english/html/overview/doc/STD-T63v10_00/2_T63/ARIB-STD-T63/Rel9/22/A22067-900.pdf |
| CCSA | CCSA-TSD-DS-22.067 | 9.0.0 | Published | Mar 10 | http://www.ccsa.org.cn/english/tc/files.php?docpath=/ITU-R/M.1457/M.1457-12/DS |
| ETSI | ETSI TS 122 067 | 9.0.0 | Published | Jan 10 | http://www.etsi.org/deliver/etsi_ts/122000_122099/122067/09.00.00_60/ |
| TTA | TTAT.3G-22.067(R9-9.0.0) | 9.0.0 | Approved | Jul 10 | http://www.tta.or.kr/data/ttasDown.jsp?where=14688&pk_num=TTAT.3G-22.067(R9-9.0.0) |
| Release 10 | | | | | |
| ARIB | ARIB STD-T63-22.067 | 10.0.0 | Approved | Jul 13 | http://www.arib.or.jp/english/html/overview/doc/STD-T63v10_00/2_T63/ARIB-STD-T63/Rel10/22/A22067-a00.pdf |
| CCSA | CCSA-TSD-DS-22.067 | 10.0.0 | Published | Jun 12 | http://www.ccsa.org.cn/english/tc/files.php?docpath=/ITU-R/M.1457/M.1457-12/DS |
| ETSI | ETSI TS 122 067 | 10.0.0 | Published | May 11 | http://www.etsi.org/deliver/etsi_ts/122000_122099/122067/10.00.00_60/ |

| | | | | | |
|-------------------|----------------------------|--------|-----------|--------|---|
| TTA | TTAT.3G-22.067(R10-10.0.0) | 10.0.0 | Approved | Apr 12 | http://www.tta.or.kr/data/ttasDown.jsp?where=14688&pk_num=TTAT.3G-22.067(R10-10.0.0) |
| Release 11 | | | | | |
| ARIB | ARIB STD-T63-22.067 | 11.0.0 | Approved | Jul 13 | http://www.arib.or.jp/english/html/overview/doc/STD-T63v10_00/2_T63/ARIB-STD-T63/Rel11/22/A22067-b00.pdf |
| CCSA | CCSA-TSD-DS-22.067 | 11.1.0 | Published | Jun 14 | http://www.ccsa.org.cn/english/tc/files.php?docpath=/ITU-R/M.1457/M.1457-12/DS |
| ETSI | ETSI TS 122 067 | 11.0.0 | Published | Nov 12 | http://www.etsi.org/deliver/etsi_ts/122000_122099/122067/11.00.00_60/ |
| TTA | TTAT.3G-22.067(R11-11.0.0) | 11.0.0 | published | Aug 13 | http://www.tta.or.kr/data/ttasDown.jsp?where=14688&pk_num=TTAT.3G-22.067(R11-11.0.0) |

5.1.2.13.18 TS 22.071

Location Services (LCS); Service description; Stage 1

LCS is a network provided enabling technology consisting of standardized service capabilities which enables the provision of location applications. This application may be service provider specific. The description of the numerous and varied possible location applications which are enabled by this technology are outside the scope of this specification. However, clarifying examples of how the functionality being specified may be used to provide specific LCS is included in various sections of the specification.

| SDO (2) | Document No. | Version | Status | Issued date | Location (1) |
|-------------------|--------------------------|---------|-----------|-------------|---|
| Release 99 | | | | | |
| ARIB | ARIB STD-T63-22.071 | 3.5.0 | Approved | Jul 13 | http://www.arib.or.jp/english/html/overview/doc/STD-T63v10_00/2_T63/ARIB-STD-T63/R99/22/A22071-350.pdf |
| CCSA | CCSA-TSD-DS-22.071 | 3.5.0 | Published | Apr 04 | http://www.ccsa.org.cn/english/tc/files.php?docpath=/ITU-R/M.1457/M.1457-12/DS |
| ETSI | ETSI TS 122 071 | 3.5.0 | Published | Apr 04 | http://www.etsi.org/deliver/etsi_ts/122000_122099/122071/03.05.00_60/ |
| Release 4 | | | | | |
| ARIB | ARIB STD-T63-22.071 | 4.6.0 | Approved | Jul 13 | http://www.arib.or.jp/english/html/overview/doc/STD-T63v10_00/2_T63/ARIB-STD-T63/Rel4/22/A22071-460.pdf |
| CCSA | CCSA-TSD-DS-22.071 | 4.6.0 | Published | Apr 04 | http://www.ccsa.org.cn/english/tc/files.php?docpath=/ITU-R/M.1457/M.1457-12/DS |
| ETSI | ETSI TS 122 071 | 4.6.0 | Published | Apr 04 | http://www.etsi.org/deliver/etsi_ts/122000_122099/122071/04.06.00_60/ |
| Release 5 | | | | | |
| ARIB | ARIB STD-T63-22.071 | 5.4.0 | Approved | Jul 13 | http://www.arib.or.jp/english/html/overview/doc/STD-T63v10_00/2_T63/ARIB-STD-T63/Rel5/22/A22071-540.pdf |
| CCSA | CCSA-TSD-DS-22.071 | 5.4.0 | Published | Apr 04 | http://www.ccsa.org.cn/english/tc/files.php?docpath=/ITU-R/M.1457/M.1457-12/DS |
| ETSI | ETSI TS 122 071 | 5.4.0 | Published | Apr 04 | http://www.etsi.org/deliver/etsi_ts/122000_122099/122071/05.04.00_60/ |
| Release 6 | | | | | |
| ARIB | ARIB STD-T63-22.071 | 6.7.0 | Approved | Jul 13 | http://www.arib.or.jp/english/html/overview/doc/STD-T63v10_00/2_T63/ARIB-STD-T63/Rel6/22/A22071-670.pdf |
| CCSA | CCSA-TSD-DS-22.071 | 6.7.0 | Published | Jan 05 | http://www.ccsa.org.cn/english/tc/files.php?docpath=/ITU-R/M.1457/M.1457-12/DS |
| ETSI | ETSI TS 122 071 | 6.7.0 | Published | Jan 05 | http://www.etsi.org/deliver/etsi_ts/122000_122099/122071/06.07.00_60/ |
| Release 7 | | | | | |
| ARIB | ARIB STD-T63-22.071 | 7.4.0 | Approved | Jul 13 | http://www.arib.or.jp/english/html/overview/doc/STD-T63v10_00/2_T63/ARIB-STD-T63/Rel7/22/A22071-740.pdf |
| CCSA | CCSA-TSD-DS-22.071 | 7.4.0 | Published | Jan 06 | http://www.ccsa.org.cn/english/tc/files.php?docpath=/ITU-R/M.1457/M.1457-12/DS |
| ETSI | ETSI TS 122 071 | 7.4.0 | Published | Jan 06 | http://www.etsi.org/deliver/etsi_ts/122000_122099/122071/07.04.00_60/ |
| Release 8 | | | | | |
| ARIB | ARIB STD-T63-22.071 | 8.1.0 | Approved | Jul 13 | http://www.arib.or.jp/english/html/overview/doc/STD-T63v10_00/2_T63/ARIB-STD-T63/Rel8/22/A22071-810.pdf |
| CCSA | CCSA-TSD-DS-22.071 | 8.1.0 | Published | Jan 09 | http://www.ccsa.org.cn/english/tc/files.php?docpath=/ITU-R/M.1457/M.1457-12/DS |
| ETSI | ETSI TS 122 071 | 8.1.0 | Published | Jan 09 | http://www.etsi.org/deliver/etsi_ts/122000_122099/122071/08.01.00_60/ |
| TTA | TTAT.3G-22.071(R8-8.1.0) | 8.1.0 | Approved | Jul 09 | http://www.tta.or.kr/data/ttasDown.jsp?where=14688&pk_num=TTAT.3G-22.071(R8-8.1.0) |
| Release 9 | | | | | |

| | | | | | |
|-------------------|----------------------------|--------|-----------|--------|---|
| ARIB | ARIB STD-T63-22.071 | 9.1.0 | Approved | Jul 13 | http://www.arib.or.jp/english/html/overview/doc/STD-T63v10_00/2_T63/ARIB-STD-T63/Rel9/22/A22071-910.pdf |
| CCSA | CCSA-TSD-DS-22.071 | 9.1.0 | Published | Jun 12 | http://www.ccsa.org.cn/english/tc/files.php?docpath=/ITU-R/M.1457/M.1457-12/DS |
| ETSI | ETSI TS 122 071 | 9.1.0 | Published | Oct 10 | http://www.etsi.org/deliver/etsi_ts/122000_122099/122071/09.01.00_60/ |
| TTA | TTAT.3G-22.071(R9-9.0.0) | 9.0.0 | Approved | Jul 10 | http://www.tta.or.kr/data/ttasDown.jsp?where=14688&pk_num=TTAT.3G-22.071(R9-9.0.0) |
| Release 10 | | | | | |
| ARIB | ARIB STD-T63-22.071 | 10.0.0 | Approved | Jul 13 | http://www.arib.or.jp/english/html/overview/doc/STD-T63v10_00/2_T63/ARIB-STD-T63/Rel10/22/A22071-a00.pdf |
| CCSA | CCSA-TSD-DS-22.071 | 10.0.0 | Published | Jun 12 | http://www.ccsa.org.cn/english/tc/files.php?docpath=/ITU-R/M.1457/M.1457-12/DS |
| ETSI | ETSI TS 122 071 | 10.0.0 | Published | May 11 | http://www.etsi.org/deliver/etsi_ts/122000_122099/122071/10.00.00_60/ |
| TTA | TTAT.3G-22.071(R10-10.0.0) | 10.0.0 | Approved | Apr 12 | http://www.tta.or.kr/data/ttasDown.jsp?where=14688&pk_num=TTAT.3G-22.071(R10-10.0.0) |
| Release 11 | | | | | |
| ARIB | ARIB STD-T63-22.071 | 11.0.0 | Approved | Jul 13 | http://www.arib.or.jp/english/html/overview/doc/STD-T63v10_00/2_T63/ARIB-STD-T63/Rel11/22/A22071-b00.pdf |
| CCSA | CCSA-TSD-DS-22.071 | 11.0.0 | Published | Jun 14 | http://www.ccsa.org.cn/english/tc/files.php?docpath=/ITU-R/M.1457/M.1457-12/DS |
| ETSI | ETSI TS 122 071 | 11.0.0 | Published | Oct 12 | http://www.etsi.org/deliver/etsi_ts/122000_122099/122071/11.00.00_60/ |
| TTA | TTAT.3G-22.071(R11-11.0.0) | 11.0.0 | published | Aug 13 | http://www.tta.or.kr/data/ttasDown.jsp?where=14688&pk_num=TTAT.3G-22.071(R11-11.0.0) |

5.1.2.13.19 TS 22.078

Customized Applications for Mobile network Enhanced Logic (CAMEL); Service description; Stage 1

This specification describes the Stage 1 description for CAMEL feature which provides the mechanisms to support services consistently independently of the serving network. The CAMEL features shall facilitate service control of operator specific services external from the serving network. The CAMEL feature is a network feature and not a supplementary service. It is a tool to help the network operator to provide the subscribers with the operator specific services even when roaming outside the home network.

| SDO (2) | Document No. | Version | Status | Issued date | Location (1) |
|-------------------|----------------------------|---------|-----------|-------------|---|
| Release 99 | | | | | |
| CCSA | CCSA-TSD-DS-22.078 | 3.9.0 | Published | Apr 02 | http://www.ccsa.org.cn/english/tc/files.php?docpath=/ITU-R/M.1457/M.1457-12/DS |
| ETSI | ETSI TS 122 078 | 3.9.0 | Published | Apr 02 | http://www.etsi.org/deliver/etsi_ts/122000_122099/122078/03.09.00_60/ |
| TTC | TS-3GA-22.078(R99)v3.9.0 | 3.9.0 | Approved | May 02 | http://www.ttc.or.jp/j/document_list/free/TS/TS-3GA-22.078(R99)v3.9.0.pdf |
| Release 4 | | | | | |
| CCSA | CCSA-TSD-DS-22.078 | 4.5.0 | Published | Apr 02 | http://www.ccsa.org.cn/english/tc/files.php?docpath=/ITU-R/M.1457/M.1457-12/DS |
| ETSI | ETSI TS 122 078 | 4.5.0 | Published | Apr 02 | http://www.etsi.org/deliver/etsi_ts/122000_122099/122078/04.05.00_60/ |
| TTC | TS-3GA-22.078(Rel4)v4.5.0 | 4.5.0 | Approved | May 02 | http://www.ttc.or.jp/j/document_list/free/TS/TS-3GA-22.078(Rel4)v4.5.0.pdf |
| Release 5 | | | | | |
| CCSA | CCSA-TSD-DS-22.078 | 5.15.0 | Published | Apr 05 | http://www.ccsa.org.cn/english/tc/files.php?docpath=/ITU-R/M.1457/M.1457-12/DS |
| ETSI | ETSI TS 122 078 | 5.15.0 | Published | Apr 05 | http://www.etsi.org/deliver/etsi_ts/122000_122099/122078/05.15.00_60/ |
| TTC | TS-3GA-22.078(Rel5)v5.15.0 | 5.15.0 | Approved | May 05 | http://www.ttc.or.jp/j/document_list/free/TS/TS-3GA-22.078(Rel5)v5.15.0.pdf |
| Release 6 | | | | | |
| CCSA | CCSA-TSD-DS-22.078 | 6.9.0 | Published | Oct 05 | http://www.ccsa.org.cn/english/tc/files.php?docpath=/ITU-R/M.1457/M.1457-12/DS |
| ETSI | ETSI TS 122 078 | 6.9.0 | Published | Oct 05 | http://www.etsi.org/deliver/etsi_ts/122000_122099/122078/06.09.00_60/ |
| TTC | TS-3GA-22.078(Rel6)v6.9.0 | 6.9.0 | Approved | Nov 05 | http://www.ttc.or.jp/j/document_list/free/TS/TS-3GA-22.078(Rel6)v6.9.0.pdf |
| Release 7 | | | | | |
| CCSA | CCSA-TSD-DS-22.078 | 7.6.0 | Published | Jan 06 | http://www.ccsa.org.cn/english/tc/files.php?docpath=/ITU-R/M.1457/M.1457-12/DS |
| ETSI | ETSI TS 122 078 | 7.6.0 | Published | Jan 06 | http://www.etsi.org/deliver/etsi_ts/122000_122099/122078/07.06.00_60/ |

| | | | | | |
|-------------------|-----------------------------|--------|-----------|--------|---|
| TTC | TS-3GA-22.078(Rel7)v7.6.0 | 7.6.0 | Approved | Mar 08 | http://www.ttc.or.jp/j/document_list/free/TS/TS-3GA-22.078(Rel7)v7.6.0.pdf |
| Release 8 | | | | | |
| CCSA | CCSA-TSD-DS-22.078 | 8.0.0 | Published | Jan 09 | http://www.ccsa.org.cn/english/tc/files.php?docpath=/ITU-R/M.1457/M.1457-12/DS |
| ETSI | ETSI TS 122 078 | 8.0.0 | Published | Jan 09 | http://www.etsi.org/deliver/etsi_ts/122000_122099/122078/08.00.00_60/ |
| TTA | TTAT.3G-22.078(R8-8.0.0) | 8.0.0 | Approved | Jul 09 | http://www.tta.or.kr/data/ttasDown.jsp?where=14688&pk_num=TTAT.3G-22.078(R8-8.0.0) |
| TTC | TS-3GA-22.078(Rel8)v8.0.0 | 8.0.0 | Approved | Feb 09 | http://www.ttc.or.jp/j/document_list/free/3gpps2009/TS/TS-3GA-22.078(Rel8)v8.0.0.pdf |
| Release 9 | | | | | |
| CCSA | CCSA-TSD-DS-22.078 | 9.0.0 | Published | Mar 10 | http://www.ccsa.org.cn/english/tc/files.php?docpath=/ITU-R/M.1457/M.1457-12/DS |
| ETSI | ETSI TS 122 078 | 9.0.0 | Published | Feb 10 | http://www.etsi.org/deliver/etsi_ts/122000_122099/122078/09.00.00_60/ |
| TTA | TTAT.3G-22.078(R9-9.0.0) | 9.0.0 | Approved | Jul 10 | http://www.tta.or.kr/data/ttasDown.jsp?where=14688&pk_num=TTAT.3G-22.078(R9-9.0.0) |
| TTC | TS-3GA-22.078(Rel9)v9.0.0 | 9.0.0 | Approved | Jul 10 | http://www.ttc.or.jp/j/document_list/free/3gpps2010/TS/TS-3GA-22.078(Rel9)v9.0.0.pdf |
| Release 10 | | | | | |
| CCSA | CCSA-TSD-DS-22.078 | 10.0.0 | Published | Jun 12 | http://www.ccsa.org.cn/english/tc/files.php?docpath=/ITU-R/M.1457/M.1457-12/DS |
| ETSI | ETSI TS 122 078 | 10.0.0 | Published | Apr 11 | http://www.etsi.org/deliver/etsi_ts/122000_122099/122078/10.00.00_60/ |
| TTA | TTAT.3G-22.078(R10-10.0.0) | 10.0.0 | Approved | Apr 12 | http://www.tta.or.kr/data/ttasDown.jsp?where=14688&pk_num=TTAT.3G-22.078(R10-10.0.0) |
| TTC | TS-3GA-22.078(Rel10)v10.0.0 | 10.0.0 | Approved | Jun 11 | http://www.ttc.or.jp/j/document_list/free/3gpps2011/TS/TS-3GA-22.078(Rel10)v10.0.0.pdf |
| Release 11 | | | | | |
| CCSA | CCSA-TSD-DS-22.078 | 11.0.0 | Published | Jun 14 | http://www.ccsa.org.cn/english/tc/files.php?docpath=/ITU-R/M.1457/M.1457-12/DS |
| ETSI | ETSI TS 122 078 | 11.0.0 | Published | Oct 12 | http://www.etsi.org/deliver/etsi_ts/122000_122099/122078/11.00.00_60/ |
| TTA | TTAT.3G-22.078(R11-11.0.0) | 11.0.0 | published | Aug 13 | http://www.tta.or.kr/data/ttasDown.jsp?where=14688&pk_num=TTAT.3G-22.078(R11-11.0.0) |
| TTC | TS-3GA-22.078(Rel11)v11.0.0 | 11.0.0 | Approved | Jun 13 | http://www.ttc.or.jp/j/document_list/free/3gpps2013/TS/TS-3GA-22.078(Rel11)v11.0.0.pdf |

5.1.2.13.20 TS 22.081

Line Identification supplementary services; Stage 1

This document specifies the supplementary services belonging to the group Line Identification Supplementary Services, which consist of Calling line identification presentation (CLIP), Calling line identification restriction (CLIR), Connected line identification presentation (COLP), and Connected line identification restriction (COLR).

| SDO (2) | Document No. | Version | Status | Issued date | Location (1) |
|-------------------|---------------------------|---------|-----------|-------------|---|
| Release 99 | | | | | |
| ETSI | ETSI TS 122 081 | 3.2.0 | Published | Aug 00 | http://www.etsi.org/deliver/etsi_ts/122000_122099/122081/03.02.00_60/ |
| TTC | JP-3GA-22.081(R99) | 3.2.0 | Approved | Nov 00 | http://www.ttc.or.jp/j/document_list/pdf/j/STD/JP-3GA-22.081(R99)v2.pdf |
| Release 4 | | | | | |
| ETSI | ETSI TS 122 081 | 4.1.0 | Published | Apr 02 | http://www.etsi.org/deliver/etsi_ts/122000_122099/122081/04.01.00_60/ |
| TTC | TS-3GA-22.081(Rel4)v4.1.0 | 4.1.0 | Approved | May 02 | http://www.ttc.or.jp/j/document_list/free/TS/TS-3GA-22.081(Rel4)v4.1.0.pdf |
| Release 5 | | | | | |
| ETSI | ETSI TS 122 081 | 5.0.0 | Published | Jul 02 | http://www.etsi.org/deliver/etsi_ts/122000_122099/122081/05.00.00_60/ |
| TTC | TS-3GA-22.081(Rel5)v5.0.0 | 5.0.0 | Approved | Aug 02 | http://www.ttc.or.jp/j/document_list/free/TS/TS-3GA-22.081(Rel5)v5.0.0.pdf |
| Release 6 | | | | | |

| | | | | | |
|-------------------|-----------------------------|--------|-----------|--------|---|
| ETSI | ETSI TS 122 081 | 6.0.0 | Published | Jan 05 | http://www.etsi.org/deliver/etsi_ts/122000_122099/122081/06.00.00_60/ |
| TTC | TS-3GA-22.081(Rel6)v6.0.0 | 6.0.0 | Approved | Mar 05 | http://www.ttc.or.jp/j/document_list/free/TS/TS-3GA-22.081(Rel6)v6.0.0.pdf |
| Release 7 | | | | | |
| ETSI | ETSI TS 122 081 | 7.0.0 | Published | Jul 07 | http://www.etsi.org/deliver/etsi_ts/122000_122099/122081/07.00.00_60/ |
| TTC | TS-3GA-22.081(Rel7)v7.0.0 | 7.0.0 | Approved | Mar 08 | http://www.ttc.or.jp/j/document_list/free/TS/TS-3GA-22.081(Rel7)v7.0.0.pdf |
| Release 8 | | | | | |
| ETSI | ETSI TS 122 081 | 8.0.0 | Published | Jan 09 | http://www.etsi.org/deliver/etsi_ts/122000_122099/122081/08.00.00_60/ |
| TTC | TS-3GA-22.081(Rel8)v8.0.0 | 8.0.0 | Approved | Feb 09 | http://www.ttc.or.jp/j/document_list/free/3gpps2009/TS/TS-3GA-22.081(Rel8)v8.0.0.pdf |
| Release 9 | | | | | |
| ETSI | ETSI TS 122 081 | 9.0.0 | Published | Jan 10 | http://www.etsi.org/deliver/etsi_ts/122000_122099/122081/09.00.00_60/ |
| TTC | TS-3GA-22.081(Rel9)v9.0.0 | 9.0.0 | Approved | Jul 10 | http://www.ttc.or.jp/j/document_list/free/3gpps2010/TS/TS-3GA-22.081(Rel9)v9.0.0.pdf |
| Release 10 | | | | | |
| ETSI | ETSI TS 122 081 | 10.0.0 | Published | May 11 | http://www.etsi.org/deliver/etsi_ts/122000_122099/122081/10.00.00_60/ |
| TTC | TS-3GA-22.081(Rel10)v10.0.0 | 10.0.0 | Approved | Jun 11 | http://www.ttc.or.jp/j/document_list/free/3gpps2011/TS/TS-3GA-22.081(Rel10)v10.0.0.pdf |
| Release 11 | | | | | |
| CCSA | CCSA-TSD-DS-22.081 | 11.1.0 | Published | Jun 14 | http://www.ccsa.org.cn/english/tc/files.php?docpath=/ITU-R/M.1457/M.1457-12/DS |
| ETSI | ETSI TS 122 081 | 11.1.0 | Published | Nov 12 | http://www.etsi.org/deliver/etsi_ts/122000_122099/122081/11.01.00_60/ |
| TTA | TTAT.3G-22.081(R11-11.1.0) | 11.1.0 | published | Aug 13 | http://www.tta.or.kr/data/ttasDown.jsp?where=14688&pk_num=TTAT.3G-22.081(R11-11.1.0) |
| TTC | TS-3GA-22.081(Rel11)v11.1.0 | 11.1.0 | Approved | Jun 13 | http://www.ttc.or.jp/j/document_list/free/3gpps2013/TS/TS-3GA-22.081(Rel11)v11.1.0.pdf |

5.1.2.13.21 TS 22.082

Call Forwarding (CF) Supplementary Services; Stage 1

This document specifies the supplementary services belonging to the group Call Offering Supplementary Services, which consist of Call forwarding unconditional, Call forwarding on mobile subscriber busy, Call forwarding on no reply, and Call forwarding on mobile subscriber not reachable.

| SDO (2) | Document No. | Version | Status | Issued date | Location (1) |
|-------------------|---------------------------|---------|-----------|-------------|---|
| Release 99 | | | | | |
| ETSI | ETSI TS 122 082 | 3.0.2 | Published | Apr 04 | http://www.etsi.org/deliver/etsi_ts/122000_122099/122082/03.00.02_60/ |
| TTC | JP-3GA-22.082(R99) | 3.0.1 | Approved | Mar 00 | http://www.ttc.or.jp/j/document_list/pdf/j/STD/JP-3GA-22.082(R99)v1.pdf |
| Release 4 | | | | | |
| ETSI | ETSI TS 122 082 | 4.2.0 | Published | Apr 02 | http://www.etsi.org/deliver/etsi_ts/122000_122099/122082/04.02.00_60/ |
| TTC | TS-3GA-22.082(Rel4)v4.2.0 | 4.2.0 | Approved | May 02 | http://www.ttc.or.jp/j/document_list/free/TS/TS-3GA-22.082(Rel4)v4.2.0.pdf |
| Release 5 | | | | | |
| ETSI | ETSI TS 122 082 | 5.0.0 | Published | Jul 02 | http://www.etsi.org/deliver/etsi_ts/122000_122099/122082/05.00.00_60/ |
| TTC | TS-3GA-22.082(Rel5)v5.0.0 | 5.0.0 | Approved | Aug 02 | http://www.ttc.or.jp/j/document_list/free/TS/TS-3GA-22.082(Rel5)v5.0.0.pdf |
| Release 6 | | | | | |
| ETSI | ETSI TS 122 082 | 6.0.0 | Published | Jan 05 | http://www.etsi.org/deliver/etsi_ts/122000_122099/122082/06.00.00_60/ |
| TTC | TS-3GA-22.082(Rel6)v6.0.0 | 6.0.0 | Approved | Mar 05 | http://www.ttc.or.jp/j/document_list/free/TS/TS-3GA-22.082(Rel6)v6.0.0.pdf |
| Release 7 | | | | | |
| ETSI | ETSI TS 122 082 | 7.0.0 | Published | Jul 07 | http://www.etsi.org/deliver/etsi_ts/122000_122099/122082/07.00.00_60/ |
| TTC | TS-3GA-22.082(Rel7)v7.0.0 | 7.0.0 | Approved | Mar 08 | http://www.ttc.or.jp/j/document_list/free/TS/TS-3GA-22.082(Rel7)v7.0.0.pdf |

Release 8

| | | | | | |
|------|---------------------------|-------|-----------|--------|---|
| ETSI | ETSI TS 122 082 | 8.0.0 | Published | Jan 09 | http://www.etsi.org/deliver/etsi_ts/122000_122099/122082/08.00.00_60/ |
| TTC | TS-3GA-22.082(Rel8)v8.0.0 | 8.0.0 | Approved | Feb 09 | http://www.ttc.or.jp/j/document_list/free/3gpps2009/TS/TS-3GA-22.082(Rel8)v8.0.0.pdf |

Release 9

| | | | | | |
|------|---------------------------|-------|-----------|--------|---|
| ETSI | ETSI TS 122 082 | 9.0.0 | Published | Feb 10 | http://www.etsi.org/deliver/etsi_ts/122000_122099/122082/09.00.00_60/ |
| TTC | TS-3GA-22.082(Rel9)v9.0.0 | 9.0.0 | Approved | Jul 10 | http://www.ttc.or.jp/j/document_list/free/3gpps2010/TS/TS-3GA-22.082(Rel9)v9.0.0.pdf |

Release 10

| | | | | | |
|------|-----------------------------|--------|-----------|--------|---|
| ETSI | ETSI TS 122 082 | 10.0.0 | Published | May 11 | http://www.etsi.org/deliver/etsi_ts/122000_122099/122082/10.00.00_60/ |
| TTC | TS-3GA-22.082(Rel10)v10.0.0 | 10.0.0 | Approved | Jun 11 | http://www.ttc.or.jp/j/document_list/free/3gpps2011/TS/TS-3GA-22.082(Rel10)v10.0.0.pdf |

Release 11

| | | | | | |
|------|-----------------------------|--------|-----------|--------|---|
| CCSA | CCSA-TSD-DS-22.082 | 11.0.0 | Published | Jun 14 | http://www.ccsa.org.cn/english/tc/files.php?docpath=/ITU-R/M.1457/M.1457-12/DS |
| ETSI | ETSI TS 122 082 | 11.0.0 | Published | Nov 12 | http://www.etsi.org/deliver/etsi_ts/122000_122099/122082/11.00.00_60/ |
| TTA | TTAT.3G-22.082(R11-11.0.0) | 11.0.0 | published | Aug 13 | http://www.tta.or.kr/data/ttasDown.jsp?where=14688&pk_num=TTAT.3G-22.082(R11-11.0.0) |
| TTC | TS-3GA-22.082(Rel11)v11.0.0 | 11.0.0 | Approved | Jun 13 | http://www.ttc.or.jp/j/document_list/free/3gpps2013/TS/TS-3GA-22.082(Rel11)v11.0.0.pdf |

5.1.2.13.22 TS 22.083**Call Waiting (CW) and Call Holding (HOLD); Supplementary Services; Stage 1**

This document specifies the supplementary services belonging to the group Call Completion Supplementary Services, which consist of Call waiting and Call hold.

| SDO (2) | Document No. | Version | Status | Issued date | Location (1) |
|-------------------|---------------------------|---------|-----------|-------------|---|
| Release 99 | | | | | |
| ETSI | ETSI TS 122 083 | 3.0.1 | Published | Feb 00 | http://www.etsi.org/deliver/etsi_ts/122000_122099/122083/03.00.01_60/ |
| TTC | JP-3GA-22.083(R99) | 3.0.1 | Approved | Mar 00 | http://www.ttc.or.jp/j/document_list/pdf/j/STD/JP-3GA-22.083(R99)v1.pdf |
| Release 4 | | | | | |
| ETSI | ETSI TS 122 083 | 4.1.0 | Published | Apr 02 | http://www.etsi.org/deliver/etsi_ts/122000_122099/122083/04.01.00_60/ |
| TTC | TS-3GA-22.083(Rel4)v4.1.0 | 4.1.0 | Approved | May 02 | http://www.ttc.or.jp/j/document_list/free/TS/TS-3GA-22.083(Rel4)v4.1.0.pdf |
| Release 5 | | | | | |
| ETSI | ETSI TS 122 083 | 5.0.0 | Published | Jul 02 | http://www.etsi.org/deliver/etsi_ts/122000_122099/122083/05.00.00_60/ |
| TTC | TS-3GA-22.083(Rel5)v5.0.0 | 5.0.0 | Approved | Aug 02 | http://www.ttc.or.jp/j/document_list/free/TS/TS-3GA-22.083(Rel5)v5.0.0.pdf |
| Release 6 | | | | | |
| ETSI | ETSI TS 122 083 | 6.0.0 | Published | Jan 05 | http://www.etsi.org/deliver/etsi_ts/122000_122099/122083/06.00.00_60/ |
| TTC | TS-3GA-22.083(Rel6)v6.0.0 | 6.0.0 | Approved | Mar 05 | http://www.ttc.or.jp/j/document_list/free/TS/TS-3GA-22.083(Rel6)v6.0.0.pdf |
| Release 7 | | | | | |
| ETSI | ETSI TS 122 083 | 7.0.0 | Published | Jul 07 | http://www.etsi.org/deliver/etsi_ts/122000_122099/122083/07.00.00_60/ |
| TTC | TS-3GA-22.083(Rel7)v7.0.0 | 7.0.0 | Approved | Mar 08 | http://www.ttc.or.jp/j/document_list/free/TS/TS-3GA-22.083(Rel7)v7.0.0.pdf |
| Release 8 | | | | | |
| ETSI | ETSI TS 122 083 | 8.0.0 | Published | Jan 09 | http://www.etsi.org/deliver/etsi_ts/122000_122099/122083/08.00.00_60/ |
| TTC | TS-3GA-22.083(Rel8)v8.0.0 | 8.0.0 | Approved | Feb 09 | http://www.ttc.or.jp/j/document_list/free/3gpps2009/TS/TS-3GA-22.083(Rel8)v8.0.0.pdf |
| Release 9 | | | | | |
| ETSI | ETSI TS 122 083 | 9.0.0 | Published | Jan 10 | http://www.etsi.org/deliver/etsi_ts/122000_122099/122083/09.00.00_60/ |

| | | | | | |
|-------------------|-----------------------------|--------|-----------|--------|---|
| TTC | TS-3GA-22.083(Rel9)v9.0.0 | 9.0.0 | Approved | Jul 10 | http://www.ttc.or.jp/j/document_list/free/3gpps2010/TS/TS-3GA-22.083(Rel9)v9.0.0.pdf |
| Release 10 | | | | | |
| ETSI | ETSI TS 122 083 | 10.0.0 | Published | May 11 | http://www.etsi.org/deliver/etsi_ts/122000_122099/122083/10.00.00_60/ |
| TTC | TS-3GA-22.083(Rel10)v10.0.0 | 10.0.0 | Approved | Jun 11 | http://www.ttc.or.jp/j/document_list/free/3gpps2011/TS/TS-3GA-22.083(Rel10)v10.0.0.pdf |
| Release 11 | | | | | |
| CCSA | CCSA-TSD-DS-22.083 | 11.0.0 | Published | Jun 14 | http://www.ccsa.org.cn/english/tc/files.php?docpath=/ITU-R/M.1457/M.1457-12/DS |
| ETSI | ETSI TS 122 083 | 11.0.0 | Published | Oct 12 | http://www.etsi.org/deliver/etsi_ts/122000_122099/122083/11.00.00_60/ |
| TTA | TTAT.3G-22.083(R11-11.0.0) | 11.0.0 | published | Aug 13 | http://www.tta.or.kr/data/ttasDown.jsp?where=14688&pk_num=TTAT.3G-22.083(R11-11.0.0) |
| TTC | TS-3GA-22.083(Rel11)v11.0.0 | 11.0.0 | Approved | Jun 13 | http://www.ttc.or.jp/j/document_list/free/3gpps2013/TS/TS-3GA-22.083(Rel11)v11.0.0.pdf |

5.1.2.13.23 TS 22.084

MultiParty (MPTY) supplementary service; Stage 1

This document specifies the supplementary services belonging to the group MultiParty Supplementary Services, which consist of MultiParty service.

| SDO (2) | Document No. | Version | Status | Issued date | Location (1) |
|-------------------|-----------------------------|---------|-----------|-------------|---|
| Release 99 | | | | | |
| ETSI | ETSI TS 122 084 | 3.0.1 | Published | Feb 00 | http://www.etsi.org/deliver/etsi_ts/122000_122099/122084/03.00.01_60/ |
| TTC | JP-3GA-22.084(R99) | 3.0.1 | Approved | Mar 00 | http://www.ttc.or.jp/j/document_list/pdf/j/STD/JP-3GA-22.084(R99)v1.pdf |
| Release 4 | | | | | |
| ETSI | ETSI TS 122 084 | 4.1.0 | Published | Apr 02 | http://www.etsi.org/deliver/etsi_ts/122000_122099/122084/04.01.00_60/ |
| TTC | TS-3GA-22.084(Rel4)v4.1.0 | 4.1.0 | Approved | May 02 | http://www.ttc.or.jp/j/document_list/free/TS/TS-3GA-22.084(Rel4)v4.1.0.pdf |
| Release 5 | | | | | |
| ETSI | ETSI TS 122 084 | 5.0.0 | Published | Jul 02 | http://www.etsi.org/deliver/etsi_ts/122000_122099/122084/05.00.00_60/ |
| TTC | TS-3GA-22.084(Rel5)v5.0.0 | 5.0.0 | Approved | Aug 02 | http://www.ttc.or.jp/j/document_list/free/TS/TS-3GA-22.084(Rel5)v5.0.0.pdf |
| Release 6 | | | | | |
| ETSI | ETSI TS 122 084 | 6.0.0 | Published | Jan 05 | http://www.etsi.org/deliver/etsi_ts/122000_122099/122084/06.00.00_60/ |
| TTC | TS-3GA-22.084(Rel6)v6.0.0 | 6.0.0 | Approved | Mar 05 | http://www.ttc.or.jp/j/document_list/free/TS/TS-3GA-22.084(Rel6)v6.0.0.pdf |
| Release 7 | | | | | |
| ETSI | ETSI TS 122 084 | 7.0.0 | Published | Jul 07 | http://www.etsi.org/deliver/etsi_ts/122000_122099/122084/07.00.00_60/ |
| TTC | TS-3GA-22.084(Rel7)v7.0.0 | 7.0.0 | Approved | Mar 08 | http://www.ttc.or.jp/j/document_list/free/TS/TS-3GA-22.084(Rel7)v7.0.0.pdf |
| Release 8 | | | | | |
| ETSI | ETSI TS 122 084 | 8.0.0 | Published | Jan 09 | http://www.etsi.org/deliver/etsi_ts/122000_122099/122084/08.00.00_60/ |
| TTC | TS-3GA-22.084(Rel8)v8.0.0 | 8.0.0 | Approved | Feb 09 | http://www.ttc.or.jp/j/document_list/free/3gpps2009/TS/TS-3GA-22.084(Rel8)v8.0.0.pdf |
| Release 9 | | | | | |
| ETSI | ETSI TS 122 084 | 9.0.0 | Published | Jan 10 | http://www.etsi.org/deliver/etsi_ts/122000_122099/122084/09.00.00_60/ |
| TTC | TS-3GA-22.084(Rel9)v9.0.0 | 9.0.0 | Approved | Jul 10 | http://www.ttc.or.jp/j/document_list/free/3gpps2010/TS/TS-3GA-22.084(Rel9)v9.0.0.pdf |
| Release 10 | | | | | |
| ETSI | ETSI TS 122 084 | 10.0.0 | Published | May 11 | http://www.etsi.org/deliver/etsi_ts/122000_122099/122084/10.00.00_60/ |
| TTC | TS-3GA-22.084(Rel10)v10.0.0 | 10.0.0 | Approved | Jun 11 | http://www.ttc.or.jp/j/document_list/free/3gpps2011/TS/TS-3GA-22.084(Rel10)v10.0.0.pdf |
| Release 11 | | | | | |
| CCSA | CCSA-TSD-DS-22.084 | 11.0.0 | Published | Jun 14 | http://www.ccsa.org.cn/english/tc/files.php?docpath=/ITU-R/M.1457/M.1457-12/DS |
| ETSI | ETSI TS 122 084 | 11.0.0 | Published | Oct 12 | http://www.etsi.org/deliver/etsi_ts/122000_122099/122084/11.00.00_60/ |

| | | | | | |
|-----|-----------------------------|--------|-----------|--------|---|
| TTA | TTAT.3G-22.084(R11-11.0.0) | 11.0.0 | published | Aug 13 | http://www.tta.or.kr/data/ttasDown.jsp?where=14688&pk_num=TTAT.3G-22.084(R11-11.0.0) |
| TTC | TS-3GA-22.084(Rel11)v11.0.0 | 11.0.0 | Approved | Jun 13 | http://www.ttc.or.jp/j/document_list/free/3gpps2013/TS/TS-3GA-22.084(Rel11)v11.0.0.pdf |

5.1.2.13.24 TS 22.085

Closed User Group (CUG) supplementary services; Stage 1

This document specifies the supplementary services belonging to the group Community Of Interest Supplementary Services, which consist of Closed user group.

| SDO (2) | Document No. | Version | Status | Issued date | Location (1) |
|-------------------|-----------------------------|---------|-----------|-------------|---|
| Release 99 | | | | | |
| ETSI | ETSI TS 122 085 | 3.1.0 | Published | Feb 00 | http://www.etsi.org/deliver/etsi_ts/122000_122099/122085/03.01.00_60/ |
| TTC | JP-3GA-22.085(R99) | 3.1.0 | Approved | Mar 00 | http://www.ttc.or.jp/j/document_list/pdf/j/STD/JP-3GA-22.085(R99)v1.pdf |
| Release 4 | | | | | |
| ETSI | ETSI TS 122 085 | 4.1.0 | Published | Apr 02 | http://www.etsi.org/deliver/etsi_ts/122000_122099/122085/04.01.00_60/ |
| TTC | TS-3GA-22.085(Rel4)v4.1.0 | 4.1.0 | Approved | May 02 | http://www.ttc.or.jp/j/document_list/free/TS/TS-3GA-22.085(Rel4)v4.1.0.pdf |
| Release 5 | | | | | |
| ETSI | ETSI TS 122 085 | 5.0.0 | Published | Jul 02 | http://www.etsi.org/deliver/etsi_ts/122000_122099/122085/05.00.00_60/ |
| TTC | TS-3GA-22.085(Rel5)v5.0.0 | 5.0.0 | Approved | Aug 02 | http://www.ttc.or.jp/j/document_list/free/TS/TS-3GA-22.085(Rel5)v5.0.0.pdf |
| Release 6 | | | | | |
| ETSI | ETSI TS 122 085 | 6.0.0 | Published | Jan 05 | http://www.etsi.org/deliver/etsi_ts/122000_122099/122085/06.00.00_60/ |
| TTC | TS-3GA-22.085(Rel6)v6.0.0 | 6.0.0 | Approved | Mar 05 | http://www.ttc.or.jp/j/document_list/free/TS/TS-3GA-22.085(Rel6)v6.0.0.pdf |
| Release 7 | | | | | |
| ETSI | ETSI TS 122 085 | 7.0.0 | Published | Jul 07 | http://www.etsi.org/deliver/etsi_ts/122000_122099/122085/07.00.00_60/ |
| TTC | TS-3GA-22.085(Rel7)v7.0.0 | 7.0.0 | Approved | Mar 08 | http://www.ttc.or.jp/j/document_list/free/TS/TS-3GA-22.085(Rel7)v7.0.0.pdf |
| Release 8 | | | | | |
| ETSI | ETSI TS 122 085 | 8.0.0 | Published | Jan 09 | http://www.etsi.org/deliver/etsi_ts/122000_122099/122085/08.00.00_60/ |
| TTC | TS-3GA-22.085(Rel8)v8.0.0 | 8.0.0 | Approved | Feb 09 | http://www.ttc.or.jp/j/document_list/free/3gpps2009/TS/TS-3GA-22.085(Rel8)v8.0.0.pdf |
| Release 9 | | | | | |
| ETSI | ETSI TS 122 085 | 9.0.0 | Published | Jan 10 | http://www.etsi.org/deliver/etsi_ts/122000_122099/122085/09.00.00_60/ |
| TTC | TS-3GA-22.085(Rel9)v9.0.0 | 9.0.0 | Approved | Jul 10 | http://www.ttc.or.jp/j/document_list/free/3gpps2010/TS/TS-3GA-22.085(Rel9)v9.0.0.pdf |
| Release 10 | | | | | |
| ETSI | ETSI TS 122 085 | 10.0.0 | Published | May 11 | http://www.etsi.org/deliver/etsi_ts/122000_122099/122085/10.00.00_60/ |
| TTC | TS-3GA-22.085(Rel10)v10.0.0 | 10.0.0 | Approved | Jun 11 | http://www.ttc.or.jp/j/document_list/free/3gpps2011/TS/TS-3GA-22.085(Rel10)v10.0.0.pdf |
| Release 11 | | | | | |
| CCSA | CCSA-TSD-DS-22.085 | 11.0.0 | Published | Jun 14 | http://www.ccsa.org.cn/english/tc/files.php?docpath=/ITU-R/M.1457/M.1457-12/DS |
| ETSI | ETSI TS 122 085 | 11.0.0 | Published | Nov 12 | http://www.etsi.org/deliver/etsi_ts/122000_122099/122085/11.00.00_60/ |
| TTA | TTAT.3G-22.085(R11-11.0.0) | 11.0.0 | published | Aug 13 | http://www.tta.or.kr/data/ttasDown.jsp?where=14688&pk_num=TTAT.3G-22.085(R11-11.0.0) |
| TTC | TS-3GA-22.085(Rel11)v11.0.0 | 11.0.0 | Approved | Jun 13 | http://www.ttc.or.jp/j/document_list/free/3gpps2013/TS/TS-3GA-22.085(Rel11)v11.0.0.pdf |

5.1.2.13.25 TS 22.086**Advice of Charge (AoC) supplementary services; Stage 1**

This document specifies the supplementary services belonging to the group Charging Supplementary Services, which consist of Advice of Charge (Information) and Advice of Charge (Charging).

| SDO (2) | Document No. | Version | Status | Issued date | Location (1) |
|-------------------|-----------------------------|---------|-----------|-------------|---|
| Release 99 | | | | | |
| ETSI | ETSI TS 122 086 | 3.1.0 | Published | May 00 | http://www.etsi.org/deliver/etsi_ts/122000_122099/122086/03.01.00_60/ |
| TTC | TS-3GA-22.086(R99)v3.1.0 | 3.1.0 | Approved | Mar 08 | http://www.ttc.or.jp/j/document_list/free/TS/TS-3GA-22.086(R99)v3.1.0.pdf |
| Release 4 | | | | | |
| ETSI | ETSI TS 122 086 | 4.0.0 | Published | Apr 01 | http://www.etsi.org/deliver/etsi_ts/122000_122099/122086/04.00.00_60/ |
| TTC | TS-3GA-22.086(Rel4)v4.0.0 | 4.0.0 | Approved | May 01 | http://www.ttc.or.jp/j/document_list/free/TS/TS-3GA-22.086(Rel4)v4.0.0.pdf |
| Release 5 | | | | | |
| ETSI | ETSI TS 122 086 | 5.1.0 | Published | Jul 05 | http://www.etsi.org/deliver/etsi_ts/122000_122099/122086/05.01.00_60/ |
| TTC | TS-3GA-22.086(Rel5)v5.1.0 | 5.1.0 | Approved | Jul 05 | http://www.ttc.or.jp/j/document_list/free/TS/TS-3GA-22.086(Rel5)v5.1.0.pdf |
| Release 6 | | | | | |
| ETSI | ETSI TS 122 086 | 6.1.0 | Published | Jul 05 | http://www.etsi.org/deliver/etsi_ts/122000_122099/122086/06.01.00_60/ |
| TTC | TS-3GA-22.086(Rel6)v6.1.0 | 6.1.0 | Approved | Jul 05 | http://www.ttc.or.jp/j/document_list/free/TS/TS-3GA-22.086(Rel6)v6.1.0.pdf |
| Release 7 | | | | | |
| ETSI | ETSI TS 122 086 | 7.0.0 | Published | Jul 07 | http://www.etsi.org/deliver/etsi_ts/122000_122099/122086/07.00.00_60/ |
| TTC | TS-3GA-22.086(Rel7)v7.0.0 | 7.0.0 | Approved | Mar 08 | http://www.ttc.or.jp/j/document_list/free/TS/TS-3GA-22.086(Rel7)v7.0.0.pdf |
| Release 8 | | | | | |
| ETSI | ETSI TS 122 086 | 8.0.0 | Published | Jan 09 | http://www.etsi.org/deliver/etsi_ts/122000_122099/122086/08.00.00_60/ |
| TTC | TS-3GA-22.086(Rel8)v8.0.0 | 8.0.0 | Approved | Feb 09 | http://www.ttc.or.jp/j/document_list/free/3gpps2009/TS/TS-3GA-22.086(Rel8)v8.0.0.pdf |
| Release 9 | | | | | |
| ETSI | ETSI TS 122 086 | 9.0.0 | Published | Jan 10 | http://www.etsi.org/deliver/etsi_ts/122000_122099/122086/09.00.00_60/ |
| TTC | TS-3GA-22.086(Rel9)v9.0.0 | 9.0.0 | Approved | Jul 10 | http://www.ttc.or.jp/j/document_list/free/3gpps2010/TS/TS-3GA-22.086(Rel9)v9.0.0.pdf |
| Release 10 | | | | | |
| ETSI | ETSI TS 122 086 | 10.0.0 | Published | May 11 | http://www.etsi.org/deliver/etsi_ts/122000_122099/122086/10.00.00_60/ |
| TTC | TS-3GA-22.086(Rel10)v10.0.0 | 10.0.0 | Approved | Jun 11 | http://www.ttc.or.jp/j/document_list/free/3gpps2011/TS/TS-3GA-22.086(Rel10)v10.0.0.pdf |
| Release 11 | | | | | |
| CCSA | CCSA-TSD-DS-22.086 | 11.0.0 | Published | Jun 14 | http://www.ccsa.org.cn/english/tc/files.php?docpath=/ITU-R/M.1457/M.1457-12/DS |
| ETSI | ETSI TS 122 086 | 11.0.0 | Published | Oct 12 | http://www.etsi.org/deliver/etsi_ts/122000_122099/122086/11.00.00_60/ |
| TTA | TTAT.3G-22.086(R11-11.0.0) | 11.0.0 | published | Aug 13 | http://www.tta.or.kr/data/ttasDown.jsp?where=14688&pk_num=TTAT.3G-22.086(R11-11.0.0) |
| TTC | TS-3GA-22.086(Rel11)v11.0.0 | 11.0.0 | Approved | Jun 13 | http://www.ttc.or.jp/j/document_list/free/3gpps2013/TS/TS-3GA-22.086(Rel11)v11.0.0.pdf |

5.1.2.13.26 TS 22.087**User-to-User Signalling (UUS); Service description; Stage 1**

This document specifies the User-to-User Signalling (UUS) supplementary service, which allows a mobile subscriber to send/receive a limited amount of information to/from another PLMN or ISDN subscriber over the signalling channel in association with a call to the other subscriber.

| SDO (2) | Document No. | Version | Status | Issued date | Location (1) |
|-------------------|-----------------------------|---------|-----------|-------------|---|
| Release 99 | | | | | |
| ETSI | ETSI TS 122 087 | 3.1.0 | Published | May 00 | http://www.etsi.org/deliver/etsi_ts/122000_122099/122087/03.01.00_60/ |
| TTC | JP-3GA-22.087(R99) | 3.1.0 | Approved | Nov 00 | http://www.ttc.or.jp/j/document_list/pdf/j/STD/JP-3GA-22.087(R99)v2.pdf |
| Release 4 | | | | | |
| ETSI | ETSI TS 122 087 | 4.0.0 | Published | Apr 01 | http://www.etsi.org/deliver/etsi_ts/122000_122099/122087/04.00.00_60/ |
| TTC | TS-3GA-22.087(Rel4)v4.0.0 | 4.0.0 | Approved | May 01 | http://www.ttc.or.jp/j/document_list/free/TS/TS-3GA-22.087(Rel4)v4.0.0.pdf |
| Release 5 | | | | | |
| ETSI | ETSI TS 122 087 | 5.0.0 | Published | Jul 02 | http://www.etsi.org/deliver/etsi_ts/122000_122099/122087/05.00.00_60/ |
| TTC | TS-3GA-22.087(Rel5)v5.0.0 | 5.0.0 | Approved | Aug 02 | http://www.ttc.or.jp/j/document_list/free/TS/TS-3GA-22.087(Rel5)v5.0.0.pdf |
| Release 6 | | | | | |
| ETSI | ETSI TS 122 087 | 6.0.0 | Published | Jan 05 | http://www.etsi.org/deliver/etsi_ts/122000_122099/122087/06.00.00_60/ |
| TTC | TS-3GA-22.087(Rel6)v6.0.0 | 6.0.0 | Approved | Mar 05 | http://www.ttc.or.jp/j/document_list/free/TS/TS-3GA-22.087(Rel6)v6.0.0.pdf |
| Release 7 | | | | | |
| ETSI | ETSI TS 122 087 | 7.0.0 | Published | Jul 07 | http://www.etsi.org/deliver/etsi_ts/122000_122099/122087/07.00.00_60/ |
| TTC | TS-3GA-22.087(Rel7)v7.0.0 | 7.0.0 | Approved | Mar 08 | http://www.ttc.or.jp/j/document_list/free/TS/TS-3GA-22.087(Rel7)v7.0.0.pdf |
| Release 8 | | | | | |
| ETSI | ETSI TS 122 087 | 8.0.0 | Published | Jan 09 | http://www.etsi.org/deliver/etsi_ts/122000_122099/122087/08.00.00_60/ |
| TTC | TS-3GA-22.087(Rel8)v8.0.0 | 8.0.0 | Approved | Feb 09 | http://www.ttc.or.jp/j/document_list/free/3gpps2009/TS/TS-3GA-22.087(Rel8)v8.0.0.pdf |
| Release 9 | | | | | |
| ETSI | ETSI TS 122 087 | 9.0.0 | Published | Jan 10 | http://www.etsi.org/deliver/etsi_ts/122000_122099/122087/09.00.00_60/ |
| TTC | TS-3GA-22.087(Rel9)v9.0.0 | 9.0.0 | Approved | Jul 10 | http://www.ttc.or.jp/j/document_list/free/3gpps2010/TS/TS-3GA-22.087(Rel9)v9.0.0.pdf |
| Release 10 | | | | | |
| ETSI | ETSI TS 122 087 | 10.0.0 | Published | May 11 | http://www.etsi.org/deliver/etsi_ts/122000_122099/122087/10.00.00_60/ |
| TTC | TS-3GA-22.087(Rel10)v10.0.0 | 10.0.0 | Approved | Jun 11 | http://www.ttc.or.jp/j/document_list/free/3gpps2011/TS/TS-3GA-22.087(Rel10)v10.0.0.pdf |
| Release 11 | | | | | |
| CCSA | CCSA-TSD-DS-22.087 | 11.0.0 | Published | Jun 14 | http://www.ccsa.org.cn/english/tc/files.php?docpath=/ITU-R/M.1457/M.1457-12/DS |
| ETSI | ETSI TS 122 087 | 11.0.0 | Published | Oct 12 | http://www.etsi.org/deliver/etsi_ts/122000_122099/122087/11.00.00_60/ |
| TTA | TTAT.3G-22.087(R11-11.0.0) | 11.0.0 | published | Aug 13 | http://www.tta.or.kr/data/ttasDown.jsp?where=14688&pk_num=TTAT.3G-22.087(R11-11.0.0) |
| TTC | TS-3GA-22.087(Rel11)v11.0.0 | 11.0.0 | Approved | Jun 13 | http://www.ttc.or.jp/j/document_list/free/3gpps2013/TS/TS-3GA-22.087(Rel11)v11.0.0.pdf |

5.1.2.13.27 TS 22.088

Call Barring (CB) supplementary services; Stage 1

This document specifies the supplementary services belonging to the group Call Restriction Supplementary Services, which consist of barring of outgoing calls and barring of incoming calls.

| SDO (2) | Document No. | Version | Status | Issued date | Location (1) |
|-------------------|--------------------|---------|-----------|-------------|---|
| Release 99 | | | | | |
| ETSI | ETSI TS 122 088 | 3.0.2 | Published | Apr 01 | http://www.etsi.org/deliver/etsi_ts/122000_122099/122088/03.00.02_60/ |
| TTC | JP-3GA-22.088(R99) | 3.0.2 | Approved | May 01 | http://www.ttc.or.jp/j/document_list/pdf/j/STD/JP-3GA-22.088(R99)v2.pdf |
| Release 4 | | | | | |

| | | | | | |
|-------------------|-----------------------------|--------|-----------|--------|---|
| ETSI | ETSI TS 122 088 | 4.1.0 | Published | Apr 02 | http://www.etsi.org/deliver/etsi_ts/122000_122099/122088/04.01.00_60/ |
| TTC | TS-3GA-22.088(Rel4)v4.1.0 | 4.1.0 | Approved | May 02 | http://www.ttc.or.jp/j/document_list/free/TS/TS-3GA-22.088(Rel4)v4.1.0.pdf |
| Release 5 | | | | | |
| ETSI | ETSI TS 122 088 | 5.0.0 | Published | Jul 02 | http://www.etsi.org/deliver/etsi_ts/122000_122099/122088/05.00.00_60/ |
| TTC | TS-3GA-22.088(Rel5)v5.0.0 | 5.0.0 | Approved | Aug 02 | http://www.ttc.or.jp/j/document_list/free/TS/TS-3GA-22.088(Rel5)v5.0.0.pdf |
| Release 6 | | | | | |
| ETSI | ETSI TS 122 088 | 6.0.0 | Published | Jan 05 | http://www.etsi.org/deliver/etsi_ts/122000_122099/122088/06.00.00_60/ |
| TTC | TS-3GA-22.088(Rel6)v6.0.0 | 6.0.0 | Approved | Mar 05 | http://www.ttc.or.jp/j/document_list/free/TS/TS-3GA-22.088(Rel6)v6.0.0.pdf |
| Release 7 | | | | | |
| ETSI | ETSI TS 122 088 | 7.0.0 | Published | Jul 07 | http://www.etsi.org/deliver/etsi_ts/122000_122099/122088/07.00.00_60/ |
| TTC | TS-3GA-22.088(Rel7)v7.0.0 | 7.0.0 | Approved | Mar 08 | http://www.ttc.or.jp/j/document_list/free/TS/TS-3GA-22.088(Rel7)v7.0.0.pdf |
| Release 8 | | | | | |
| ETSI | ETSI TS 122 088 | 8.0.0 | Published | Jan 09 | http://www.etsi.org/deliver/etsi_ts/122000_122099/122088/08.00.00_60/ |
| TTC | TS-3GA-22.088(Rel8)v8.0.0 | 8.0.0 | Approved | Feb 09 | http://www.ttc.or.jp/j/document_list/free/3gpps2009/TS/TS-3GA-22.088(Rel8)v8.0.0.pdf |
| Release 9 | | | | | |
| ETSI | ETSI TS 122 088 | 9.0.0 | Published | Jan 10 | http://www.etsi.org/deliver/etsi_ts/122000_122099/122088/09.00.00_60/ |
| TTC | TS-3GA-22.088(Rel9)v9.0.0 | 9.0.0 | Approved | Jul 10 | http://www.ttc.or.jp/j/document_list/free/3gpps2010/TS/TS-3GA-22.088(Rel9)v9.0.0.pdf |
| Release 10 | | | | | |
| ETSI | ETSI TS 122 088 | 10.0.0 | Published | May 11 | http://www.etsi.org/deliver/etsi_ts/122000_122099/122088/10.00.00_60/ |
| TTC | TS-3GA-22.088(Rel10)v10.0.0 | 10.0.0 | Approved | Jun 11 | http://www.ttc.or.jp/j/document_list/free/3gpps2011/TS/TS-3GA-22.088(Rel10)v10.0.0.pdf |
| Release 11 | | | | | |
| CCSA | CCSA-TSD-DS-22.088 | 11.0.0 | Published | Jun 14 | http://www.ccsa.org.cn/english/tc/files.php?docpath=/ITU-R/M.1457/M.1457-12/DS |
| ETSI | ETSI TS 122 088 | 11.0.0 | Published | Nov 12 | http://www.etsi.org/deliver/etsi_ts/122000_122099/122088/11.00.00_60/ |
| TTA | TTAT.3G-22.088(R11-11.0.0) | 11.0.0 | published | Aug 13 | http://www.tta.or.kr/data/ttasDown.jsp?where=14688&pk_num=TTAT.3G-22.088(R11-11.0.0) |
| TTC | TS-3GA-22.088(Rel11)v11.0.0 | 11.0.0 | Approved | Jun 13 | http://www.ttc.or.jp/j/document_list/free/3gpps2013/TS/TS-3GA-22.088(Rel11)v11.0.0.pdf |

5.1.2.13.28 TS 22.090

Unstructured Supplementary Service Data (USSD); Stage 1

There are two modes of USSD: MMI-mode and application mode. MMI-mode USSD is for the transparent transport of MMI strings entered by the user to the network and for the transparent transport of text strings from the network that are displayed by the mobile for user information. Application mode USSD is for the transparent transport of data between the network and the mobile station. Application mode USSD is intended to be used by applications in the network and their peer applications in the UE. The communication over the radio interface takes place on the signalling channels using short dialogues with peak data throughput rate capabilities of up to approximately 600 bit/s outside of a call and 1 000 bit/s during a call.

| SDO (2) | Document No. | Version | Status | Issued date | Location (1) |
|-------------------|--------------------|---------|-----------|-------------|---|
| Release 99 | | | | | |
| CCSA | CCSA-TSD-DS-22.090 | 3.1.0 | Published | May 00 | http://www.ccsa.org.cn/english/tc/files.php?docpath=/ITU-R/M.1457/M.1457-12/DS |
| ETSI | ETSI TS 122 090 | 3.1.0 | Published | May 00 | http://www.etsi.org/deliver/etsi_ts/122000_122099/122090/03.01.00_60/ |
| TTC | JP-3GA-22.090(R99) | 3.1.0 | Approved | Nov 00 | http://www.ttc.or.jp/j/document_list/pdf/j/STD/JP-3GA-22.090(R99)v2.pdf |
| Release 4 | | | | | |

| | | | | | |
|-------------------|-----------------------------|--------|-----------|--------|---|
| CCSA | CCSA-TSD-DS-22.090 | 4.0.0 | Published | Apr 01 | http://www.ccsa.org.cn/english/tc/files.php?docpath=/ITU-R/M.1457/M.1457-12/DS |
| ETSI | ETSI TS 122 090 | 4.0.0 | Published | Apr 01 | http://www.etsi.org/deliver/etsi_ts/122000_122099/122090/04.00.00_60/ |
| TTC | TS-3GA-22.090(Rel4)v4.0.0 | 4.0.0 | Approved | May 01 | http://www.ttc.or.jp/j/document_list/free/TS/TS-3GA-22.090(Rel4)v4.0.0.pdf |
| Release 5 | | | | | |
| CCSA | CCSA-TSD-DS-22.090 | 5.0.0 | Published | Jul 02 | http://www.ccsa.org.cn/english/tc/files.php?docpath=/ITU-R/M.1457/M.1457-12/DS |
| ETSI | ETSI TS 122 090 | 5.0.0 | Published | Jul 02 | http://www.etsi.org/deliver/etsi_ts/122000_122099/122090/05.00.00_60/ |
| TTC | TS-3GA-22.090(Rel5)v5.0.0 | 5.0.0 | Approved | Aug 02 | http://www.ttc.or.jp/j/document_list/free/TS/TS-3GA-22.090(Rel5)v5.0.0.pdf |
| Release 6 | | | | | |
| CCSA | CCSA-TSD-DS-22.090 | 6.0.0 | Published | Jan 05 | http://www.ccsa.org.cn/english/tc/files.php?docpath=/ITU-R/M.1457/M.1457-12/DS |
| ETSI | ETSI TS 122 090 | 6.0.0 | Published | Jan 05 | http://www.etsi.org/deliver/etsi_ts/122000_122099/122090/06.00.00_60/ |
| TTC | TS-3GA-22.090(Rel6)v6.0.0 | 6.0.0 | Approved | Mar 05 | http://www.ttc.or.jp/j/document_list/free/TS/TS-3GA-22.090(Rel6)v6.0.0.pdf |
| Release 7 | | | | | |
| CCSA | CCSA-TSD-DS-22.090 | 7.0.0 | Published | Sep 06 | http://www.ccsa.org.cn/english/tc/files.php?docpath=/ITU-R/M.1457/M.1457-12/DS |
| ETSI | ETSI TS 122 090 | 7.0.0 | Published | Sep 06 | http://www.etsi.org/deliver/etsi_ts/122000_122099/122090/07.00.00_60/ |
| TTC | TS-3GA-22.090(Rel7)v7.0.0 | 7.0.0 | Approved | Mar 08 | http://www.ttc.or.jp/j/document_list/free/TS/TS-3GA-22.090(Rel7)v7.0.0.pdf |
| Release 8 | | | | | |
| CCSA | CCSA-TSD-DS-22.090 | 8.0.0 | Published | Jan 09 | http://www.ccsa.org.cn/english/tc/files.php?docpath=/ITU-R/M.1457/M.1457-12/DS |
| ETSI | ETSI TS 122 090 | 8.0.0 | Published | Jan 09 | http://www.etsi.org/deliver/etsi_ts/122000_122099/122090/08.00.00_60/ |
| TTA | TTAT.3G-22.090(R8-8.0.0) | 8.0.0 | Approved | Jul 09 | http://www.tta.or.kr/data/ttasDown.jsp?where=14688&pk_num=TTAT.3G-22.090(R8-8.0.0) |
| TTC | TS-3GA-22.090(Rel8)v8.0.0 | 8.0.0 | Approved | Feb 09 | http://www.ttc.or.jp/j/document_list/free/3gpps2009/TS/TS-3GA-22.090(Rel8)v8.0.0.pdf |
| Release 9 | | | | | |
| CCSA | CCSA-TSD-DS-22.090 | 9.0.0 | Published | Mar 10 | http://www.ccsa.org.cn/english/tc/files.php?docpath=/ITU-R/M.1457/M.1457-12/DS |
| ETSI | ETSI TS 122 090 | 9.0.0 | Published | Jan 10 | http://www.etsi.org/deliver/etsi_ts/122000_122099/122090/09.00.00_60/ |
| TTA | TTAT.3G-22.090(R9-9.0.0) | 9.0.0 | Approved | Jul 10 | http://www.tta.or.kr/data/ttasDown.jsp?where=14688&pk_num=TTAT.3G-22.090(R9-9.0.0) |
| TTC | TS-3GA-22.090(Rel9)v9.0.0 | 9.0.0 | Approved | Jul 10 | http://www.ttc.or.jp/j/document_list/free/3gpps2010/TS/TS-3GA-22.090(Rel9)v9.0.0.pdf |
| Release 10 | | | | | |
| CCSA | CCSA-TSD-DS-22.090 | 10.0.0 | Published | Jun 12 | http://www.ccsa.org.cn/english/tc/files.php?docpath=/ITU-R/M.1457/M.1457-12/DS |
| ETSI | ETSI TS 122 090 | 10.0.0 | Published | May 11 | http://www.etsi.org/deliver/etsi_ts/122000_122099/122090/10.00.00_60/ |
| TTA | TTAT.3G-22.090(R10-10.0.0) | 10.0.0 | Approved | Apr 12 | http://www.tta.or.kr/data/ttasDown.jsp?where=14688&pk_num=TTAT.3G-22.090(R10-10.0.0) |
| TTC | TS-3GA-22.090(Rel10)v10.0.0 | 10.0.0 | Approved | Jun 11 | http://www.ttc.or.jp/j/document_list/free/3gpps2011/TS/TS-3GA-22.090(Rel10)v10.0.0.pdf |
| Release 11 | | | | | |
| CCSA | CCSA-TSD-DS-22.090 | 11.0.0 | Published | Jun 14 | http://www.ccsa.org.cn/english/tc/files.php?docpath=/ITU-R/M.1457/M.1457-12/DS |
| ETSI | ETSI TS 122 090 | 11.0.0 | Published | Oct 12 | http://www.etsi.org/deliver/etsi_ts/122000_122099/122090/11.00.00_60/ |
| TTA | TTAT.3G-22.090(R11-11.0.0) | 11.0.0 | published | Aug 13 | http://www.tta.or.kr/data/ttasDown.jsp?where=14688&pk_num=TTAT.3G-22.090(R11-11.0.0) |
| TTC | TS-3GA-22.090(Rel11)v11.0.0 | 11.0.0 | Approved | Jun 13 | http://www.ttc.or.jp/j/document_list/free/3gpps2013/TS/TS-3GA-22.090(Rel11)v11.0.0.pdf |

5.1.2.13.29 TS 22.091

Explicit Call Transfer (ECT) supplementary service; Stage 1

This document specifies the stage 1 description of Explicit Call Transfer (ECT) from the service subscriber's and user's points of view, in particular, the procedures for normal operation with successful outcome, the action to be taken in exceptional circumstances, and the interaction with other supplementary services.

| SDO (2) | Document No. | Version | Status | Issued date | Location (1) |
|-------------------|-----------------------------|---------|-----------|-------------|---|
| Release 99 | | | | | |
| ETSI | ETSI TS 122 091 | 3.1.0 | Published | Nov 00 | http://www.etsi.org/deliver/etsi_ts/122000_122099/122091/03.01.00_60/ |
| TTC | JP-3GA-22.091(R99) | 3.1.0 | Approved | May 01 | http://www.ttc.or.jp/j/document_list/pdf/j/STD/JP-3GA-22.091(R99)v2.pdf |
| Release 4 | | | | | |
| ETSI | ETSI TS 122 091 | 4.0.0 | Published | Apr 01 | http://www.etsi.org/deliver/etsi_ts/122000_122099/122091/04.00.00_60/ |
| TTC | TS-3GA-22.091(Rel4)v4.0.0 | 4.0.0 | Approved | May 01 | http://www.ttc.or.jp/j/document_list/free/TS/TS-3GA-22.091(Rel4)v4.0.0.pdf |
| Release 5 | | | | | |
| ETSI | ETSI TS 122 091 | 5.0.0 | Published | Jul 02 | http://www.etsi.org/deliver/etsi_ts/122000_122099/122091/05.00.00_60/ |
| TTC | TS-3GA-22.091(Rel5)v5.0.0 | 5.0.0 | Approved | Aug 02 | http://www.ttc.or.jp/j/document_list/free/TS/TS-3GA-22.091(Rel5)v5.0.0.pdf |
| Release 6 | | | | | |
| ETSI | ETSI TS 122 091 | 6.0.0 | Published | Jan 05 | http://www.etsi.org/deliver/etsi_ts/122000_122099/122091/06.00.00_60/ |
| TTC | TS-3GA-22.091(Rel6)v6.0.0 | 6.0.0 | Approved | Mar 05 | http://www.ttc.or.jp/j/document_list/free/TS/TS-3GA-22.091(Rel6)v6.0.0.pdf |
| Release 7 | | | | | |
| ETSI | ETSI TS 122 091 | 7.0.0 | Published | Jul 07 | http://www.etsi.org/deliver/etsi_ts/122000_122099/122091/07.00.00_60/ |
| TTC | TS-3GA-22.091(Rel7)v7.0.0 | 7.0.0 | Approved | Mar 08 | http://www.ttc.or.jp/j/document_list/free/TS/TS-3GA-22.091(Rel7)v7.0.0.pdf |
| Release 8 | | | | | |
| ETSI | ETSI TS 122 091 | 8.0.0 | Published | Jan 09 | http://www.etsi.org/deliver/etsi_ts/122000_122099/122091/08.00.00_60/ |
| TTC | TS-3GA-22.091(Rel8)v8.0.0 | 8.0.0 | Approved | Feb 09 | http://www.ttc.or.jp/j/document_list/free/3gpps2009/TS/TS-3GA-22.091(Rel8)v8.0.0.pdf |
| Release 9 | | | | | |
| ETSI | ETSI TS 122 091 | 9.0.0 | Published | Jan 10 | http://www.etsi.org/deliver/etsi_ts/122000_122099/122091/09.00.00_60/ |
| TTC | TS-3GA-22.091(Rel9)v9.0.0 | 9.0.0 | Approved | Jul 10 | http://www.ttc.or.jp/j/document_list/free/3gpps2010/TS/TS-3GA-22.091(Rel9)v9.0.0.pdf |
| Release 10 | | | | | |
| ETSI | ETSI TS 122 091 | 10.0.0 | Published | May 11 | http://www.etsi.org/deliver/etsi_ts/122000_122099/122091/10.00.00_60/ |
| TTC | TS-3GA-22.091(Rel10)v10.0.0 | 10.0.0 | Approved | Jun 11 | http://www.ttc.or.jp/j/document_list/free/3gpps2011/TS/TS-3GA-22.091(Rel10)v10.0.0.pdf |
| Release 11 | | | | | |
| CCSA | CCSA-TSD-DS-22.091 | 11.0.0 | Published | Jun 14 | http://www.ccsa.org.cn/english/tc/files.php?docpath=/ITU-R/M.1457/M.1457-12/DS |
| ETSI | ETSI TS 122 091 | 11.0.0 | Published | Oct 12 | http://www.etsi.org/deliver/etsi_ts/122000_122099/122091/11.00.00_60/ |
| TTA | TTAT.3G-22.091(R11-11.0.0) | 11.0.0 | published | Aug 13 | http://www.tta.or.kr/data/ttasDown.jsp?where=14688&pk_num=TTAT.3G-22.091(R11-11.0.0) |
| TTC | TS-3GA-22.091(Rel11)v11.0.0 | 11.0.0 | Approved | Jun 13 | http://www.ttc.or.jp/j/document_list/free/3gpps2013/TS/TS-3GA-22.091(Rel11)v11.0.0.pdf |

5.1.2.13.30 TS 22.093

Completion of Calls to Busy Subscriber (CCBS); Service description, Stage 1

This document specifies the stage 1 description of Completion of Calls to Busy Subscriber (CCBS) from the subscriber's and user's points of view, in particular, the procedures for normal operation with successful outcome, the action to be taken in exceptional circumstances, and the interaction with other supplementary services.

| SDO (2) | Document No. | Version | Status | Issued date | Location (1) |
|-------------------|-----------------|---------|-----------|-------------|---|
| Release 99 | | | | | |
| ETSI | ETSI TS 122 093 | 3.0.1 | Published | Feb 00 | http://www.etsi.org/deliver/etsi_ts/122000_122099/122093/03.00.01_60/ |

| | | | | | |
|-------------------|-----------------------------|--------|-----------|--------|---|
| TTC | JP-3GA-22.093(R99) | 3.0.1 | Approved | Mar 00 | http://www.ttc.or.jp/j/document_list/pdf/j/STD/JP-3GA-22.093(R99)v1.pdf |
| Release 4 | | | | | |
| ETSI | ETSI TS 122 093 | 4.0.0 | Published | Apr 01 | http://www.etsi.org/deliver/etsi_ts/122000_122099/122093/04.00.00_60/ |
| TTC | TS-3GA-22.093(Rel4)v4.0.0 | 4.0.0 | Approved | May 01 | http://www.ttc.or.jp/j/document_list/free/TS/TS-3GA-22.093(Rel4)v4.0.0.pdf |
| Release 5 | | | | | |
| ETSI | ETSI TS 122 093 | 5.0.0 | Published | Jul 02 | http://www.etsi.org/deliver/etsi_ts/122000_122099/122093/05.00.00_60/ |
| TTC | TS-3GA-22.093(Rel5)v5.0.0 | 5.0.0 | Approved | Aug 02 | http://www.ttc.or.jp/j/document_list/free/TS/TS-3GA-22.093(Rel5)v5.0.0.pdf |
| Release 6 | | | | | |
| ETSI | ETSI TS 122 093 | 6.0.0 | Published | Jan 05 | http://www.etsi.org/deliver/etsi_ts/122000_122099/122093/06.00.00_60/ |
| TTC | TS-3GA-22.093(Rel6)v6.0.0 | 6.0.0 | Approved | Mar 05 | http://www.ttc.or.jp/j/document_list/free/TS/TS-3GA-22.093(Rel6)v6.0.0.pdf |
| Release 7 | | | | | |
| ETSI | ETSI TS 122 093 | 7.0.0 | Published | Jul 07 | http://www.etsi.org/deliver/etsi_ts/122000_122099/122093/07.00.00_60/ |
| TTC | TS-3GA-22.093(Rel7)v7.0.0 | 7.0.0 | Approved | Mar 08 | http://www.ttc.or.jp/j/document_list/free/TS/TS-3GA-22.093(Rel7)v7.0.0.pdf |
| Release 8 | | | | | |
| ETSI | ETSI TS 122 093 | 8.0.0 | Published | Jan 09 | http://www.etsi.org/deliver/etsi_ts/122000_122099/122093/08.00.00_60/ |
| TTC | TS-3GA-22.093(Rel8)v8.0.0 | 8.0.0 | Approved | Feb 09 | http://www.ttc.or.jp/j/document_list/free/3gpps2009/TS/TS-3GA-22.093(Rel8)v8.0.0.pdf |
| Release 9 | | | | | |
| ETSI | ETSI TS 122 093 | 9.0.0 | Published | Jan 10 | http://www.etsi.org/deliver/etsi_ts/122000_122099/122093/09.00.00_60/ |
| TTC | TS-3GA-22.093(Rel9)v9.0.0 | 9.0.0 | Approved | Jul 10 | http://www.ttc.or.jp/j/document_list/free/3gpps2010/TS/TS-3GA-22.093(Rel9)v9.0.0.pdf |
| Release 10 | | | | | |
| ETSI | ETSI TS 122 093 | 10.0.0 | Published | May 11 | http://www.etsi.org/deliver/etsi_ts/122000_122099/122093/10.00.00_60/ |
| TTC | TS-3GA-22.093(Rel10)v10.0.0 | 10.0.0 | Approved | Jun 11 | http://www.ttc.or.jp/j/document_list/free/3gpps2011/TS/TS-3GA-22.093(Rel10)v10.0.0.pdf |
| Release 11 | | | | | |
| CCSA | CCSA-TSD-DS-22.093 | 11.0.0 | Published | Jun 14 | http://www.ccsa.org.cn/english/tc/files.php?docpath=/ITU-R/M.1457/M.1457-12/DS |
| ETSI | ETSI TS 122 093 | 11.0.0 | Published | Oct 12 | http://www.etsi.org/deliver/etsi_ts/122000_122099/122093/11.00.00_60/ |
| TTA | TTAT.3G-22.093(R11-11.0.0) | 11.0.0 | published | Aug 13 | http://www.tta.or.kr/data/ttasDown.jsp?where=14688&pk_num=TTAT.3G-22.093(R11-11.0.0) |
| TTC | TS-3GA-22.093(Rel11)v11.0.0 | 11.0.0 | Approved | Jun 13 | http://www.ttc.or.jp/j/document_list/free/3gpps2013/TS/TS-3GA-22.093(Rel11)v11.0.0.pdf |

5.1.2.13.31 TS 22.094

Follow Me service description; Stage 1

This document specifies the stage 1 description for the Follow Me feature, which enables a mobile subscriber A to manipulate the Follow Me data of a party B in such a way that - under certain conditions - subsequent calls directed to party B will be forwarded to subscriber A.

| SDO (2) | Document No. | Version | Status | Issued date | Location (1) |
|-------------------|---------------------------|---------|-----------|-------------|---|
| Release 99 | | | | | |
| ETSI | ETSI TS 122 094 | 3.1.0 | Published | Feb 00 | http://www.etsi.org/deliver/etsi_ts/122000_122099/122094/03.01.00_60/ |
| TTC | JP-3GA-22.094(R99) | 3.1.0 | Approved | Mar 00 | http://www.ttc.or.jp/j/document_list/pdf/j/STD/JP-3GA-22.094(R99)v1.pdf |
| Release 4 | | | | | |
| ETSI | ETSI TS 122 094 | 4.1.0 | Published | Apr 02 | http://www.etsi.org/deliver/etsi_ts/122000_122099/122094/04.01.00_60/ |
| TTC | TS-3GA-22.094(Rel4)v4.1.0 | 4.1.0 | Approved | May 02 | http://www.ttc.or.jp/j/document_list/free/TS/TS-3GA-22.094(Rel4)v4.1.0.pdf |
| Release 5 | | | | | |

| | | | | | |
|-------------------|-----------------------------|--------|-----------|--------|---|
| ETSI | ETSI TS 122 094 | 5.0.0 | Published | Jul 02 | http://www.etsi.org/deliver/etsi_ts/122000_122099/122094/05.00.00_60/ |
| TTC | TS-3GA-22.094(Rel5)v5.0.0 | 5.0.0 | Approved | Aug 02 | http://www.ttc.or.jp/j/document_list/free/TS/TS-3GA-22.094(Rel5)v5.0.0.pdf |
| Release 6 | | | | | |
| ETSI | ETSI TS 122 094 | 6.0.0 | Published | Jan 05 | http://www.etsi.org/deliver/etsi_ts/122000_122099/122094/06.00.00_60/ |
| TTC | TS-3GA-22.094(Rel6)v6.0.0 | 6.0.0 | Approved | Mar 05 | http://www.ttc.or.jp/j/document_list/free/TS/TS-3GA-22.094(Rel6)v6.0.0.pdf |
| Release 7 | | | | | |
| ETSI | ETSI TS 122 094 | 7.0.0 | Published | Jul 07 | http://www.etsi.org/deliver/etsi_ts/122000_122099/122094/07.00.00_60/ |
| TTC | TS-3GA-22.094(Rel7)v7.0.0 | 7.0.0 | Approved | Mar 08 | http://www.ttc.or.jp/j/document_list/free/TS/TS-3GA-22.094(Rel7)v7.0.0.pdf |
| Release 8 | | | | | |
| ETSI | ETSI TS 122 094 | 8.0.0 | Published | Jan 09 | http://www.etsi.org/deliver/etsi_ts/122000_122099/122094/08.00.00_60/ |
| TTC | TS-3GA-22.094(Rel8)v8.0.0 | 8.0.0 | Approved | Feb 09 | http://www.ttc.or.jp/j/document_list/free/3gpps2009/TS/TS-3GA-22.094(Rel8)v8.0.0.pdf |
| Release 9 | | | | | |
| ETSI | ETSI TS 122 094 | 9.0.0 | Published | Jan 10 | http://www.etsi.org/deliver/etsi_ts/122000_122099/122094/09.00.00_60/ |
| TTC | TS-3GA-22.094(Rel9)v9.0.0 | 9.0.0 | Approved | Jul 10 | http://www.ttc.or.jp/j/document_list/free/3gpps2010/TS/TS-3GA-22.094(Rel9)v9.0.0.pdf |
| Release 10 | | | | | |
| ETSI | ETSI TS 122 094 | 10.0.0 | Published | May 11 | http://www.etsi.org/deliver/etsi_ts/122000_122099/122094/10.00.00_60/ |
| TTC | TS-3GA-22.094(Rel10)v10.0.0 | 10.0.0 | Approved | Jun 11 | http://www.ttc.or.jp/j/document_list/free/3gpps2011/TS/TS-3GA-22.094(Rel10)v10.0.0.pdf |
| Release 11 | | | | | |
| CCSA | CCSA-TSD-DS-22.094 | 11.0.0 | Published | Jun 14 | http://www.ccsa.org.cn/english/tc/files.php?docpath=/ITU-R/M.1457/M.1457-12/DS |
| ETSI | ETSI TS 122 094 | 11.0.0 | Published | Oct 12 | http://www.etsi.org/deliver/etsi_ts/122000_122099/122094/11.00.00_60/ |
| TTA | TTAT.3G-22.094(R11-11.0.0) | 11.0.0 | published | Aug 13 | http://www.tta.or.kr/data/ttasDown.jsp?where=14688&pk_num=TTAT.3G-22.094(R11-11.0.0) |
| TTC | TS-3GA-22.094(Rel11)v11.0.0 | 11.0.0 | Approved | Jun 13 | http://www.ttc.or.jp/j/document_list/free/3gpps2013/TS/TS-3GA-22.094(Rel11)v11.0.0.pdf |

5.1.2.13.32 TS 22.096

Name identification supplementary services; Stage 1

This document specifies the supplementary services belonging to the group Name Identification supplementary services, which consist of Calling Name Presentation (CNAP).

| SDO (2) | Document No. | Version | Status | Issued date | Location (1) |
|-------------------|---------------------------|---------|-----------|-------------|---|
| Release 99 | | | | | |
| ETSI | ETSI TS 122 096 | 3.0.1 | Published | Feb 00 | http://www.etsi.org/deliver/etsi_ts/122000_122099/122096/03.00.01_60/ |
| TTC | JP-3GA-22.096(R99) | 3.0.1 | Approved | Mar 00 | http://www.ttc.or.jp/j/document_list/pdf/j/STD/JP-3GA-22.096(R99)v1.pdf |
| Release 4 | | | | | |
| ETSI | ETSI TS 122 096 | 4.0.0 | Published | Apr 01 | http://www.etsi.org/deliver/etsi_ts/122000_122099/122096/04.00.00_60/ |
| TTC | TS-3GA-22.096(Rel4)v4.0.0 | 4.0.0 | Approved | May 01 | http://www.ttc.or.jp/j/document_list/free/TS/TS-3GA-22.096(Rel4)v4.0.0.pdf |
| Release 5 | | | | | |
| ETSI | ETSI TS 122 096 | 5.0.0 | Published | Jul 02 | http://www.etsi.org/deliver/etsi_ts/122000_122099/122096/05.00.00_60/ |
| TTC | TS-3GA-22.096(Rel5)v5.0.0 | 5.0.0 | Approved | Aug 02 | http://www.ttc.or.jp/j/document_list/free/TS/TS-3GA-22.096(Rel5)v5.0.0.pdf |
| Release 6 | | | | | |
| ETSI | ETSI TS 122 096 | 6.0.0 | Published | Jan 05 | http://www.etsi.org/deliver/etsi_ts/122000_122099/122096/06.00.00_60/ |
| TTC | TS-3GA-22.096(Rel6)v6.0.0 | 6.0.0 | Approved | Mar 05 | http://www.ttc.or.jp/j/document_list/free/TS/TS-3GA-22.096(Rel6)v6.0.0.pdf |
| Release 7 | | | | | |

| | | | | | |
|-------------------|-----------------------------|--------|-----------|--------|---|
| ETSI | ETSI TS 122 096 | 7.0.0 | Published | Jul 07 | http://www.etsi.org/deliver/etsi_ts/122000_122099/122096/07.00.00_60/ |
| TTC | TS-3GA-22.096(Rel7)v7.0.0 | 7.0.0 | Approved | Mar 08 | http://www.ttc.or.jp/j/document_list/free/TS/TS-3GA-22.096(Rel7)v7.0.0.pdf |
| Release 8 | | | | | |
| ETSI | ETSI TS 122 096 | 8.0.0 | Published | Jan 09 | http://www.etsi.org/deliver/etsi_ts/122000_122099/122096/08.00.00_60/ |
| TTC | TS-3GA-22.096(Rel8)v8.0.0 | 8.0.0 | Approved | Feb 09 | http://www.ttc.or.jp/j/document_list/free/3gpps2009/TS/TS-3GA-22.096(Rel8)v8.0.0.pdf |
| Release 9 | | | | | |
| ETSI | ETSI TS 122 096 | 9.0.0 | Published | Jan 10 | http://www.etsi.org/deliver/etsi_ts/122000_122099/122096/09.00.00_60/ |
| TTC | TS-3GA-22.096(Rel9)v9.0.0 | 9.0.0 | Approved | Jul 10 | http://www.ttc.or.jp/j/document_list/free/3gpps2010/TS/TS-3GA-22.096(Rel9)v9.0.0.pdf |
| Release 10 | | | | | |
| ETSI | ETSI TS 122 096 | 10.0.0 | Published | May 11 | http://www.etsi.org/deliver/etsi_ts/122000_122099/122096/10.00.00_60/ |
| TTC | TS-3GA-22.096(Rel10)v10.0.0 | 10.0.0 | Approved | Jun 11 | http://www.ttc.or.jp/j/document_list/free/3gpps2011/TS/TS-3GA-22.096(Rel10)v10.0.0.pdf |
| Release 11 | | | | | |
| CCSA | CCSA-TSD-DS-22.096 | 11.0.0 | Published | Jun 14 | http://www.ccsa.org.cn/english/tc/files.php?docpath=/ITU-R/M.1457/M.1457-12/DS |
| ETSI | ETSI TS 122 096 | 11.0.0 | Published | Oct 12 | http://www.etsi.org/deliver/etsi_ts/122000_122099/122096/11.00.00_60/ |
| TTA | TTAT.3G-22.096(R11-11.0.0) | 11.0.0 | published | Aug 13 | http://www.tta.or.kr/data/ttasDown.jsp?where=14688&pk_num=TTAT.3G-22.096(R11-11.0.0) |
| TTC | TS-3GA-22.096(Rel11)v11.0.0 | 11.0.0 | Approved | Jun 13 | http://www.ttc.or.jp/j/document_list/free/3gpps2013/TS/TS-3GA-22.096(Rel11)v11.0.0.pdf |

5.1.2.13.33 TS 22.100

UMTS Phase 1

This specification describes contains how the definition of the UMTS system will be achieved in a phased approach. This document also specifies the requirements for release 99 of UMTS. Some requirements which are necessary to ensure a smooth transition to later releases are also indicated. This document should, however, be read in conjunction with the other 22.000 series documents which provide a complete description of the requirements for UMTS release 1999 and beyond.

| SDO (2) | Document No. | Version | Status | Issued date | Location (1) |
|-------------------|---------------------------|---------|-----------|-------------|---|
| Release 99 | | | | | |
| ARIB | ARIB STD-T63-22.100 | 3.7.0 | Approved | Jul 13 | http://www.arib.or.jp/english/html/overview/doc/STD-T63v10_00/2_T63/ARIB-STD-T63/R99/22/A22100-370.pdf |
| CCSA | CCSA-TSD-DS-22.100 | 3.7.0 | Published | Oct 01 | http://www.ccsa.org.cn/english/tc/files.php?docpath=/ITU-R/M.1457/M.1457-12/DS |
| ETSI | ETSI TS 122 100 | 3.7.0 | Published | Oct 01 | http://www.etsi.org/deliver/etsi_ts/122100_122199/122100/03.07.00_60/ |
| TTA | TTAE.3G-22.100(R99-3.7.0) | 3.7.0 | Approved | Jul 09 | http://www.tta.or.kr/data/ttasDown.jsp?where=14688&pk_num=TTAE.3G-22.100(R99-3.7.0) |

5.1.2.13.34 TS 22.101

Service aspects; Service principles

This specification describes the service principles of the UMTS.

| SDO (2) | Document No. | Version | Status | Issued date | Location (1) |
|-------------------|---------------------|---------|-----------|-------------|---|
| Release 99 | | | | | |
| ARIB | ARIB STD-T63-22.101 | 3.17.0 | Approved | Jul 13 | http://www.arib.or.jp/english/html/overview/doc/STD-T63v10_00/2_T63/ARIB-STD-T63/R99/22/A22101-3h0.pdf |
| CCSA | CCSA-TSD-DS-22.101 | 3.17.0 | Published | Apr 04 | http://www.ccsa.org.cn/english/tc/files.php?docpath=/ITU-R/M.1457/M.1457-12/DS |

| | | | | | |
|-------------------|----------------------------|---------|-----------|--------|---|
| ETSI | ETSI TS 122 101 | 3.17.0 | Published | Apr 04 | http://www.etsi.org/deliver/etsi_ts/122100_122199/122101/03.17.00_60/ |
| Release 4 | | | | | |
| ARIB | ARIB STD-T63-22.101 | 4.10.0 | Approved | Jul 13 | http://www.arib.or.jp/english/html/overview/doc/STD-T63v10_00/2_T63/ARIB-STD-T63/Rel4/22/A22101-4a0.pdf |
| CCSA | CCSA-TSD-DS-22.101 | 4.10.0 | Published | Apr 04 | http://www.ccsa.org.cn/english/tc/files.php?docpath=/ITU-R/M.1457/M.1457-12/DS |
| ETSI | ETSI TS 122 101 | 4.10.0 | Published | Apr 04 | http://www.etsi.org/deliver/etsi_ts/122100_122199/122101/04.10.00_60/ |
| Release 5 | | | | | |
| ARIB | ARIB STD-T63-22.101 | 5.14.0 | Approved | Jul 13 | http://www.arib.or.jp/english/html/overview/doc/STD-T63v10_00/2_T63/ARIB-STD-T63/Rel5/22/A22101-5e0.pdf |
| CCSA | CCSA-TSD-DS-22.101 | 5.14.0 | Published | Jul 07 | http://www.ccsa.org.cn/english/tc/files.php?docpath=/ITU-R/M.1457/M.1457-12/DS |
| ETSI | ETSI TS 122 101 | 5.14.0 | Published | Jul 07 | http://www.etsi.org/deliver/etsi_ts/122100_122199/122101/05.14.00_60/ |
| Release 6 | | | | | |
| ARIB | ARIB STD-T63-22.101 | 6.12.0 | Approved | Jul 13 | http://www.arib.or.jp/english/html/overview/doc/STD-T63v10_00/2_T63/ARIB-STD-T63/Rel6/22/A22101-6c0.pdf |
| CCSA | CCSA-TSD-DS-22.101 | 6.12.0 | Published | Jul 07 | http://www.ccsa.org.cn/english/tc/files.php?docpath=/ITU-R/M.1457/M.1457-12/DS |
| ETSI | ETSI TS 122 101 | 6.12.0 | Published | Jul 07 | http://www.etsi.org/deliver/etsi_ts/122100_122199/122101/06.12.00_60/ |
| Release 7 | | | | | |
| ARIB | ARIB STD-T63-22.101 | 7.12.0 | Approved | Jul 13 | http://www.arib.or.jp/english/html/overview/doc/STD-T63v10_00/2_T63/ARIB-STD-T63/Rel7/22/A22101-7c0.pdf |
| CCSA | CCSA-TSD-DS-22.101 | 7.12.0 | Published | Mar 09 | http://www.ccsa.org.cn/english/tc/files.php?docpath=/ITU-R/M.1457/M.1457-12/DS |
| ETSI | ETSI TS 122 101 | 7.12.0 | Published | Mar 09 | http://www.etsi.org/deliver/etsi_ts/122100_122199/122101/07.12.00_60/ |
| Release 8 | | | | | |
| ARIB | ARIB STD-T63-22.101 | 8.15.0 | Approved | Jul 13 | http://www.arib.or.jp/english/html/overview/doc/STD-T63v10_00/2_T63/ARIB-STD-T63/Rel8/22/A22101-8f0.pdf |
| CCSA | CCSA-TSD-DS-22.101 | 8.14.0 | Published | Mar 10 | http://www.ccsa.org.cn/english/tc/files.php?docpath=/ITU-R/M.1457/M.1457-12/DS |
| ETSI | ETSI TS 122 101 | 8.15.0 | Published | Sep 12 | http://www.etsi.org/deliver/etsi_ts/122100_122199/122101/08.15.00_60/ |
| TTA | TTAT.3G-22.101(R8-8.11.0) | 8.11.0 | Approved | Jul 09 | http://www.tta.or.kr/data/ttasDown.jsp?where=14688&pk_num=TTAT.3G-22.101(R8-8.11.0) |
| Release 9 | | | | | |
| ARIB | ARIB STD-T63-22.101 | 9.11.0 | Approved | Jul 13 | http://www.arib.or.jp/english/html/overview/doc/STD-T63v10_00/2_T63/ARIB-STD-T63/Rel9/22/A22101-9b0.pdf |
| CCSA | CCSA-TSD-DS-22.101 | 9.9.0 | Published | Jun 12 | http://www.ccsa.org.cn/english/tc/files.php?docpath=/ITU-R/M.1457/M.1457-12/DS |
| ETSI | ETSI TS 122 101 | 9.11.0 | Published | Sep 12 | http://www.etsi.org/deliver/etsi_ts/122100_122199/122101/09.11.00_60/ |
| TTA | TTAT.3G-22.101(R9-9.7.0) | 9.7.0 | Approved | Jul 10 | http://www.tta.or.kr/data/ttasDown.jsp?where=14688&pk_num=TTAT.3G-22.101(R9-9.7.0) |
| Release 10 | | | | | |
| ARIB | ARIB STD-T63-22.101 | 10.10.0 | Approved | Jul 13 | http://www.arib.or.jp/english/html/overview/doc/STD-T63v10_00/2_T63/ARIB-STD-T63/Rel10/22/A22101-aa0.pdf |
| CCSA | CCSA-TSD-DS-22.101 | 10.7.0 | Published | Jun 12 | http://www.ccsa.org.cn/english/tc/files.php?docpath=/ITU-R/M.1457/M.1457-12/DS |
| ETSI | ETSI TS 122 101 | 10.10.0 | Published | Jan 13 | http://www.etsi.org/deliver/etsi_ts/122100_122199/122101/10.10.00_60/ |
| TTA | TTAT.3G-22.101(R10-10.7.0) | 10.7.0 | Approved | Apr 12 | http://www.tta.or.kr/data/ttasDown.jsp?where=14688&pk_num=TTAT.3G-22.101(R10-10.7.0) |
| Release 11 | | | | | |
| ARIB | ARIB STD-T63-22.101 | 11.8.0 | Approved | Jul 13 | http://www.arib.or.jp/english/html/overview/doc/STD-T63v10_00/2_T63/ARIB-STD-T63/Rel11/22/A22101-b80.pdf |
| CCSA | CCSA-TSD-DS-22.101 | 11.9.0 | Published | Jun 14 | http://www.ccsa.org.cn/english/tc/files.php?docpath=/ITU-R/M.1457/M.1457-12/DS |
| ETSI | ETSI TS 122 101 | 11.8.0 | Published | Jan 13 | http://www.etsi.org/deliver/etsi_ts/122100_122199/122101/11.08.00_60/ |
| TTA | TTAT.3G-22.101(R11-11.8.0) | 11.8.0 | published | Aug 13 | http://www.tta.or.kr/data/ttasDown.jsp?where=14688&pk_num=TTAT.3G-22.101(R11-11.8.0) |

5.1.2.13.35 TS 22.105

Services and service capabilities

Pre-UMTS systems have largely standardized the complete sets of bearer services, teleservices and supplementary services which they provide. One major difference between UMTS and pre-UMTS systems is that service capabilities rather than services are standardized for UMTS, allowing service

differentiation and system continuity. This document describes how and what kind of services the UMTS user has access to.

| SDO (2) | Document No. | Version | Status | Issued date | Location (1) |
|-------------------|----------------------------|---------|-----------|-------------|---|
| Release 99 | | | | | |
| ARIB | ARIB STD-T63-22.105 | 3.10.0 | Approved | Jul 13 | http://www.arib.or.jp/english/html/overview/doc/STD-T63v10_00/2_T63/ARIB-STD-T63/R99/22/A22105-3a0.pdf |
| CCSA | CCSA-TSD-DS-22.105 | 3.10.0 | Published | Feb 01 | http://www.ccsa.org.cn/english/tc/files.php?docpath=/ITU-R/M.1457/M.1457-12/DS |
| ETSI | ETSI TS 122 105 | 3.10.0 | Published | Feb 01 | http://www.etsi.org/deliver/etsi_ts/122100_122199/122105/03.10.00_60/ |
| Release 4 | | | | | |
| ARIB | ARIB STD-T63-22.105 | 4.3.0 | Approved | Jul 13 | http://www.arib.or.jp/english/html/overview/doc/STD-T63v10_00/2_T63/ARIB-STD-T63/Rel4/22/A22105-430.pdf |
| CCSA | CCSA-TSD-DS-22.105 | 4.3.0 | Published | Apr 02 | http://www.ccsa.org.cn/english/tc/files.php?docpath=/ITU-R/M.1457/M.1457-12/DS |
| ETSI | ETSI TS 122 105 | 4.3.0 | Published | Apr 02 | http://www.etsi.org/deliver/etsi_ts/122100_122199/122105/04.03.00_60/ |
| Release 5 | | | | | |
| ARIB | ARIB STD-T63-22.105 | 5.2.0 | Approved | Jul 13 | http://www.arib.or.jp/english/html/overview/doc/STD-T63v10_00/2_T63/ARIB-STD-T63/Rel5/22/A22105-520.pdf |
| CCSA | CCSA-TSD-DS-22.105 | 5.2.0 | Published | Jul 02 | http://www.ccsa.org.cn/english/tc/files.php?docpath=/ITU-R/M.1457/M.1457-12/DS |
| ETSI | ETSI TS 122 105 | 5.2.0 | Published | Jul 02 | http://www.etsi.org/deliver/etsi_ts/122100_122199/122105/05.02.00_60/ |
| Release 6 | | | | | |
| ARIB | ARIB STD-T63-22.105 | 6.4.0 | Approved | Jul 13 | http://www.arib.or.jp/english/html/overview/doc/STD-T63v10_00/2_T63/ARIB-STD-T63/Rel6/22/A22105-640.pdf |
| CCSA | CCSA-TSD-DS-22.105 | 6.4.0 | Published | Oct 05 | http://www.ccsa.org.cn/english/tc/files.php?docpath=/ITU-R/M.1457/M.1457-12/DS |
| ETSI | ETSI TS 122 105 | 6.4.0 | Published | Oct 05 | http://www.etsi.org/deliver/etsi_ts/122100_122199/122105/06.04.00_60/ |
| Release 7 | | | | | |
| ARIB | ARIB STD-T63-22.105 | 7.1.0 | Approved | Jul 13 | http://www.arib.or.jp/english/html/overview/doc/STD-T63v10_00/2_T63/ARIB-STD-T63/Rel7/22/A22105-710.pdf |
| CCSA | CCSA-TSD-DS-22.105 | 7.1.0 | Published | Apr 07 | http://www.ccsa.org.cn/english/tc/files.php?docpath=/ITU-R/M.1457/M.1457-12/DS |
| ETSI | ETSI TS 122 105 | 7.1.0 | Published | Apr 07 | http://www.etsi.org/deliver/etsi_ts/122100_122199/122105/07.01.00_60/ |
| Release 8 | | | | | |
| ARIB | ARIB STD-T63-22.105 | 8.4.0 | Approved | Jul 13 | http://www.arib.or.jp/english/html/overview/doc/STD-T63v10_00/2_T63/ARIB-STD-T63/Rel8/22/A22105-840.pdf |
| CCSA | CCSA-TSD-DS-22.105 | 8.4.0 | Published | Jan 08 | http://www.ccsa.org.cn/english/tc/files.php?docpath=/ITU-R/M.1457/M.1457-12/DS |
| ETSI | ETSI TS 122 105 | 8.4.0 | Published | Jan 08 | http://www.etsi.org/deliver/etsi_ts/122100_122199/122105/08.04.00_60/ |
| TTA | TTAT.3G-22.105(R8-8.4.0) | 8.4.0 | Approved | Jul 09 | http://www.tta.or.kr/data/ttasDown.jsp?where=14688&pk_num=TTAT.3G-22.105(R8-8.4.0) |
| Release 9 | | | | | |
| ARIB | ARIB STD-T63-22.105 | 9.1.0 | Approved | Jul 13 | http://www.arib.or.jp/english/html/overview/doc/STD-T63v10_00/2_T63/ARIB-STD-T63/Rel9/22/A22105-910.pdf |
| CCSA | CCSA-TSD-DS-22.105 | 9.1.0 | Published | Jun 12 | http://www.ccsa.org.cn/english/tc/files.php?docpath=/ITU-R/M.1457/M.1457-12/DS |
| ETSI | ETSI TS 122 105 | 9.1.0 | Published | Oct 10 | http://www.etsi.org/deliver/etsi_ts/122100_122199/122105/09.01.00_60/ |
| TTA | TTAT.3G-22.105(R9-9.0.0) | 9.0.0 | Approved | Jul 10 | http://www.tta.or.kr/data/ttasDown.jsp?where=14688&pk_num=TTAT.3G-22.105(R9-9.0.0) |
| Release 10 | | | | | |
| ARIB | ARIB STD-T63-22.105 | 10.0.0 | Approved | Jul 13 | http://www.arib.or.jp/english/html/overview/doc/STD-T63v10_00/2_T63/ARIB-STD-T63/Rel10/22/A22105-a00.pdf |
| CCSA | CCSA-TSD-DS-22.105 | 10.0.0 | Published | Jun 12 | http://www.ccsa.org.cn/english/tc/files.php?docpath=/ITU-R/M.1457/M.1457-12/DS |
| ETSI | ETSI TS 122 105 | 10.0.0 | Published | May 11 | http://www.etsi.org/deliver/etsi_ts/122100_122199/122105/10.00.00_60/ |
| TTA | TTAT.3G-22.105(R10-10.0.0) | 10.0.0 | Approved | Apr 12 | http://www.tta.or.kr/data/ttasDown.jsp?where=14688&pk_num=TTAT.3G-22.105(R10-10.0.0) |
| Release 11 | | | | | |
| ARIB | ARIB STD-T63-22.105 | 11.0.1 | Approved | Jul 13 | http://www.arib.or.jp/english/html/overview/doc/STD-T63v10_00/2_T63/ARIB-STD-T63/Rel11/22/A22105-b01.pdf |
| CCSA | CCSA-TSD-DS-22.105 | 11.1.0 | Published | Jun 14 | http://www.ccsa.org.cn/english/tc/files.php?docpath=/ITU-R/M.1457/M.1457-12/DS |
| ETSI | ETSI TS 122 105 | 11.0.1 | Published | Nov 12 | http://www.etsi.org/deliver/etsi_ts/122100_122199/122105/11.00.01_60/ |
| TTA | TTAT.3G-22.105(R11-11.0.1) | 11.0.1 | published | Aug 13 | http://www.tta.or.kr/data/ttasDown.jsp?where=14688&pk_num=TTAT.3G-22.105(R11-11.0.1) |

5.1.2.13.36 TS 22.115

Service aspects; Charging and billing

This specification describes the service aspects of charging and billing of the UMTS. This standard is not intended to duplicate existing standards or standards being developed by other groups on these topics, and will reference these where appropriate. This standard will elaborate on the charging requirements described in the charging principles in TS 22.101 UMTS service principles. It will allow the generation of accurate charging information to be used in the commercial and contractual relationships between the parties concerned.

| SDO (2) | Document No. | Version | Status | Issued date | Location (1) |
|-------------------|---------------------------|---------|-----------|-------------|---|
| Release 99 | | | | | |
| CCSA | CCSA-TSD-DS-22.115 | 3.4.0 | Published | Jan 04 | http://www.ccsa.org.cn/english/tc/files.php?docpath=/ITU-R/M.1457/M.1457-12/DS |
| ETSI | ETSI TS 122 115 | 3.4.0 | Published | Jan 04 | http://www.etsi.org/deliver/etsi_ts/122100_122199/122115/03.04.00_60/ |
| TTC | TS-3GA-22.115(R99)v3.4.0 | 3.4.0 | Approved | Feb 04 | http://www.ttc.or.jp/j/document_list/free/TS/TS-3GA-22.115(R99)v3.4.0.pdf |
| Release 4 | | | | | |
| CCSA | CCSA-TSD-DS-22.115 | 4.1.0 | Published | Jan 04 | http://www.ccsa.org.cn/english/tc/files.php?docpath=/ITU-R/M.1457/M.1457-12/DS |
| ETSI | ETSI TS 122 115 | 4.1.0 | Published | Jan 04 | http://www.etsi.org/deliver/etsi_ts/122100_122199/122115/04.01.00_60/ |
| TTC | TS-3GA-22.115(Rel4)v4.1.0 | 4.1.0 | Approved | Feb 04 | http://www.ttc.or.jp/j/document_list/free/TS/TS-3GA-22.115(Rel4)v4.1.0.pdf |
| Release 5 | | | | | |
| CCSA | CCSA-TSD-DS-22.115 | 5.5.0 | Published | Oct 07 | http://www.ccsa.org.cn/english/tc/files.php?docpath=/ITU-R/M.1457/M.1457-12/DS |
| ETSI | ETSI TS 122 115 | 5.5.0 | Published | Oct 07 | http://www.etsi.org/deliver/etsi_ts/122100_122199/122115/05.05.00_60/ |
| TTC | TS-3GA-22.115(Rel5)v5.5.0 | 5.5.0 | Approved | Mar 08 | http://www.ttc.or.jp/j/document_list/free/TS/TS-3GA-22.115(Rel5)v5.5.0.pdf |
| Release 6 | | | | | |
| CCSA | CCSA-TSD-DS-22.115 | 6.8.0 | Published | Oct 07 | http://www.ccsa.org.cn/english/tc/files.php?docpath=/ITU-R/M.1457/M.1457-12/DS |
| ETSI | ETSI TS 122 115 | 6.8.0 | Published | Oct 07 | http://www.etsi.org/deliver/etsi_ts/122100_122199/122115/06.08.00_60/ |
| TTC | TS-3GA-22.115(Rel6)v6.8.0 | 6.8.0 | Approved | Mar 08 | http://www.ttc.or.jp/j/document_list/free/TS/TS-3GA-22.115(Rel6)v6.8.0.pdf |
| Release 7 | | | | | |
| CCSA | CCSA-TSD-DS-22.115 | 7.1.0 | Published | Oct 07 | http://www.ccsa.org.cn/english/tc/files.php?docpath=/ITU-R/M.1457/M.1457-12/DS |
| ETSI | ETSI TS 122 115 | 7.1.0 | Published | Oct 07 | http://www.etsi.org/deliver/etsi_ts/122100_122199/122115/07.01.00_60/ |
| TTC | TS-3GA-22.115(Rel7)v7.1.0 | 7.1.0 | Approved | Mar 08 | http://www.ttc.or.jp/j/document_list/free/TS/TS-3GA-22.115(Rel7)v7.1.0.pdf |
| Release 8 | | | | | |
| CCSA | CCSA-TSD-DS-22.115 | 8.3.0 | Published | Apr 08 | http://www.ccsa.org.cn/english/tc/files.php?docpath=/ITU-R/M.1457/M.1457-12/DS |
| ETSI | ETSI TS 122 115 | 8.3.0 | Published | Apr 08 | http://www.etsi.org/deliver/etsi_ts/122100_122199/122115/08.03.00_60/ |
| TTA | TTAT.3G-22.115(R8-8.3.0) | 8.3.0 | Approved | Jul 09 | http://www.tta.or.kr/data/ttasDown.jsp?where=14688&pk_num=TTAT.3G-22.115(R8-8.3.0) |
| TTC | TS-3GA-22.115(Rel8)v8.3.0 | 8.3.0 | Approved | Feb 09 | http://www.ttc.or.jp/j/document_list/free/3gpps2009/TS/TS-3GA-22.115(Rel8)v8.3.0.pdf |
| Release 9 | | | | | |
| CCSA | CCSA-TSD-DS-22.115 | 9.2.0 | Published | Jun 12 | http://www.ccsa.org.cn/english/tc/files.php?docpath=/ITU-R/M.1457/M.1457-12/DS |
| ETSI | ETSI TS 122 115 | 9.2.0 | Published | Apr 10 | http://www.etsi.org/deliver/etsi_ts/122100_122199/122115/09.02.00_60/ |
| TTA | TTAT.3G-22.115(R9-9.2.0) | 9.2.0 | Approved | Jul 10 | http://www.tta.or.kr/data/ttasDown.jsp?where=14688&pk_num=TTAT.3G-22.115(R9-9.2.0) |
| TTC | TS-3GA-22.115(Rel9)v9.2.0 | 9.2.0 | Approved | Jul 10 | http://www.ttc.or.jp/j/document_list/free/3gpps2010/TS/TS-3GA-22.115(Rel9)v9.2.0.pdf |
| Release 10 | | | | | |
| CCSA | CCSA-TSD-DS-22.115 | 10.2.0 | Published | Jun 12 | http://www.ccsa.org.cn/english/tc/files.php?docpath=/ITU-R/M.1457/M.1457-12/DS |
| ETSI | ETSI TS 122 115 | 10.2.0 | Published | Oct 11 | http://www.etsi.org/deliver/etsi_ts/122100_122199/122115/10.02.00_60/ |

| | | | | | |
|-------------------|-----------------------------|--------|-----------|--------|---|
| TTA | TTAT.3G-22.115(R10-10.2.0) | 10.2.0 | Approved | Apr 12 | http://www.tta.or.kr/data/ttasDown.jsp?where=14688&pk_num=TTAT.3G-22.115(R10-10.2.0) |
| TTC | TS-3GA-22.115(Rel10)v10.2.0 | 10.2.0 | Approved | Dec 11 | http://www.ttc.or.jp/j/document_list/free/3gpps2011/TS/TS-3GA-22.115(Rel10)v10.2.0.pdf |
| Release 11 | | | | | |
| CCSA | CCSA-TSD-DS-22.115 | 11.6.0 | Published | Jan 04 | http://www.ccsa.org.cn/english/tc/files.php?docpath=/ITU-R/M.1457/M.1457-12/DS |
| ETSI | ETSI TS 122 115 | 11.6.0 | Published | Sep 12 | http://www.etsi.org/deliver/etsi_ts/122100_122199/122115/11.06.00_60/ |
| TTA | TTAT.3G-22.115(R11-11.6.0) | 11.6.0 | published | Aug 13 | http://www.tta.or.kr/data/ttasDown.jsp?where=14688&pk_num=TTAT.3G-22.115(R11-11.6.0) |
| TTC | TS-3GA-22.115(Rel11)v11.6.0 | 11.6.0 | Approved | Jun 13 | http://www.ttc.or.jp/j/document_list/free/3gpps2013/TS/TS-3GA-22.115(Rel11)v11.6.0.pdf |

5.1.2.13.37 TS 22.129

Service aspects; Handover requirements between UTRAN and GERAN or other radio systems

This specification describes service requirements for handover (terms are defined below) within UMTS systems and between UMTS, other IMT_2000 family members and second generation systems. Particular emphasis has been placed on the description of requirements for handover between UMTS and GSM but requirements specific to other systems are incorporated as required.

| SDO (2) | Document No. | Version | Status | Issued date | Location (1) |
|-------------------|---------------------------|---------|-----------|-------------|---|
| Release 99 | | | | | |
| CCSA | CCSA-TSD-DS-22.129 | 3.6.0 | Published | Jan 02 | http://www.ccsa.org.cn/english/tc/files.php?docpath=/ITU-R/M.1457/M.1457-12/DS |
| ETSI | ETSI TS 122 129 | 3.6.0 | Published | Jan 02 | http://www.etsi.org/deliver/etsi_ts/122100_122199/122129/03.06.00_60/ |
| TTC | TS-3GA-22.129(R99)v3.6.0 | 3.6.0 | Approved | Feb 02 | http://www.ttc.or.jp/j/document_list/free/TS/TS-3GA-22.129(R99)v3.6.0.pdf |
| Release 4 | | | | | |
| CCSA | CCSA-TSD-DS-22.129 | 4.4.0 | Published | Jan 02 | http://www.ccsa.org.cn/english/tc/files.php?docpath=/ITU-R/M.1457/M.1457-12/DS |
| ETSI | ETSI TS 122 129 | 4.4.0 | Published | Jan 02 | http://www.etsi.org/deliver/etsi_ts/122100_122199/122129/04.04.00_60/ |
| TTC | TS-3GA-22.129(Rel4)v4.4.0 | 4.4.0 | Approved | Feb 02 | http://www.ttc.or.jp/j/document_list/free/TS/TS-3GA-22.129(Rel4)v4.4.0.pdf |
| Release 5 | | | | | |
| CCSA | CCSA-TSD-DS-22.129 | 5.2.0 | Published | Jul 02 | http://www.ccsa.org.cn/english/tc/files.php?docpath=/ITU-R/M.1457/M.1457-12/DS |
| ETSI | ETSI TS 122 129 | 5.2.0 | Published | Jul 02 | http://www.etsi.org/deliver/etsi_ts/122100_122199/122129/05.02.00_60/ |
| TTC | TS-3GA-22.129(Rel5)v5.2.0 | 5.2.0 | Approved | Aug 02 | http://www.ttc.or.jp/j/document_list/free/TS/TS-3GA-22.129(Rel5)v5.2.0.pdf |
| Release 6 | | | | | |
| CCSA | CCSA-TSD-DS-22.129 | 6.1.0 | Published | Jan 05 | http://www.ccsa.org.cn/english/tc/files.php?docpath=/ITU-R/M.1457/M.1457-12/DS |
| ETSI | ETSI TS 122 129 | 6.1.0 | Published | Jan 05 | http://www.etsi.org/deliver/etsi_ts/122100_122199/122129/06.01.00_60/ |
| TTC | TS-3GA-22.129(Rel6)v6.1.0 | 6.1.0 | Approved | Mar 05 | http://www.ttc.or.jp/j/document_list/free/TS/TS-3GA-22.129(Rel6)v6.1.0.pdf |
| Release 7 | | | | | |
| CCSA | CCSA-TSD-DS-22.129 | 7.0.0 | Published | Apr 07 | http://www.ccsa.org.cn/english/tc/files.php?docpath=/ITU-R/M.1457/M.1457-12/DS |
| ETSI | ETSI TS 122 129 | 7.0.0 | Published | Apr 07 | http://www.etsi.org/deliver/etsi_ts/122100_122199/122129/07.00.00_60/ |
| TTC | TS-3GA-22.129(Rel7)v7.0.0 | 7.0.0 | Approved | Mar 08 | http://www.ttc.or.jp/j/document_list/free/TS/TS-3GA-22.129(Rel7)v7.0.0.pdf |
| Release 8 | | | | | |
| CCSA | CCSA-TSD-DS-22.129 | 8.1.0 | Published | Jan 08 | http://www.ccsa.org.cn/english/tc/files.php?docpath=/ITU-R/M.1457/M.1457-12/DS |
| ETSI | ETSI TS 122 129 | 8.1.0 | Published | Jan 08 | http://www.etsi.org/deliver/etsi_ts/122100_122199/122129/08.01.00_60/ |
| TTA | TTAT.3G-22.129(R8-8.1.0) | 8.1.0 | Approved | Jul 09 | http://www.tta.or.kr/data/ttasDown.jsp?where=14688&pk_num=TTAT.3G-22.129(R8-8.1.0) |
| TTC | TS-3GA-22.129(Rel8)v8.1.0 | 8.1.0 | Approved | Feb 09 | http://www.ttc.or.jp/j/document_list/free/3gpps2009/TS/TS-3GA-22.129(Rel8)v8.1.0.pdf |
| Release 9 | | | | | |

| | | | | | |
|-------------------|-----------------------------|--------|-----------|--------|---|
| CCSA | CCSA-TSD-DS-22.129 | 9.0.0 | Published | Mar 10 | http://www.ccsa.org.cn/english/tc/files.php?docpath=/ITU-R/M.1457/M.1457-12/DS |
| ETSI | ETSI TS 122 129 | 9.0.0 | Published | Jan 10 | http://www.etsi.org/deliver/etsi_ts/122100_122199/122129/09.00.00_60/ |
| TTA | TTAT.3G-22.129(R9-9.0.0) | 9.0.0 | Approved | Jul 10 | http://www.tta.or.kr/data/ttasDown.jsp?where=14688&pk_num=TTAT.3G-22.129(R9-9.0.0) |
| TTC | TS-3GA-22.129(Rel9)v9.0.0 | 9.0.0 | Approved | Jul 10 | http://www.ttc.or.jp/j/document_list/free/3gpps2010/TS/TS-3GA-22.129(Rel9)v9.0.0.pdf |
| Release 10 | | | | | |
| CCSA | CCSA-TSD-DS-22.129 | 10.0.0 | Published | Jun 12 | http://www.ccsa.org.cn/english/tc/files.php?docpath=/ITU-R/M.1457/M.1457-12/DS |
| ETSI | ETSI TS 122 129 | 10.0.0 | Published | May 11 | http://www.etsi.org/deliver/etsi_ts/122100_122199/122129/10.00.00_60/ |
| TTA | TTAT.3G-22.129(R10-10.0.0) | 10.0.0 | Approved | Apr 12 | http://www.tta.or.kr/data/ttasDown.jsp?where=14688&pk_num=TTAT.3G-22.129(R10-10.0.0) |
| TTC | TS-3GA-22.129(Rel10)v10.0.0 | 10.0.0 | Approved | Jun 11 | http://www.ttc.or.jp/j/document_list/free/3gpps2011/TS/TS-3GA-22.129(Rel10)v10.0.0.pdf |
| Release 11 | | | | | |
| CCSA | CCSA-TSD-DS-22.129 | 11.0.0 | Published | Jun 14 | http://www.ccsa.org.cn/english/tc/files.php?docpath=/ITU-R/M.1457/M.1457-12/DS |
| ETSI | ETSI TS 122 129 | 11.0.0 | Published | Oct 12 | http://www.etsi.org/deliver/etsi_ts/122100_122199/122129/11.00.00_60/ |
| TTA | TTAT.3G-22.129(R11-11.0.0) | 11.0.0 | published | Aug 13 | http://www.tta.or.kr/data/ttasDown.jsp?where=14688&pk_num=TTAT.3G-22.129(R11-11.0.0) |
| TTC | TS-3GA-22.129(Rel11)v11.0.0 | 11.0.0 | Approved | Jun 13 | http://www.ttc.or.jp/j/document_list/free/3gpps2013/TS/TS-3GA-22.129(Rel11)v11.0.0.pdf |

5.1.2.13.38 TS 22.135

Multicall; Service description; Stage 1

This specification describes multicall scenarios and requirements for UMTS phase 1 release 1999. Multicall feature specifies functionality and interactions related to usage of several simultaneous bearers between a terminal and a network. Multicall features allows both circuit-switched call(s) and packet session(s) to exist simultaneously.

| SDO (2) | Document No. | Version | Status | Issued date | Location (1) |
|-------------------|---------------------------|---------|-----------|-------------|---|
| Release 99 | | | | | |
| CCSA | CCSA-TSD-DS-22.135 | 3.4.0 | Published | Nov 00 | http://www.ccsa.org.cn/english/tc/files.php?docpath=/ITU-R/M.1457/M.1457-12/DS |
| ETSI | ETSI TS 122 135 | 3.4.0 | Published | Nov 00 | http://www.etsi.org/deliver/etsi_ts/122100_122199/122135/03.04.00_60/ |
| TTC | JP-3GA-22.135(R99) | 3.4.0 | Approved | May 01 | http://www.ttc.or.jp/j/document_list/pdf/j/STD/JP-3GA-22.135(R99)v3.pdf |
| Release 4 | | | | | |
| CCSA | CCSA-TSD-DS-22.135 | 4.2.0 | Published | Dec 02 | http://www.ccsa.org.cn/english/tc/files.php?docpath=/ITU-R/M.1457/M.1457-12/DS |
| ETSI | ETSI TS 122 135 | 4.2.0 | Published | Dec 02 | http://www.etsi.org/deliver/etsi_ts/122100_122199/122135/04.02.00_60/ |
| ETSI | ETSI TS 122 135 | 4.2.0 | Published | Dec 02 | http://www.etsi.org/deliver/etsi_ts/122100_122199/122135/04.02.00_60/ |
| TTC | TS-3GA-22.135(Rel4)v4.2.0 | 4.2.0 | Approved | Feb 03 | http://www.ttc.or.jp/j/document_list/free/TS/TS-3GA-22.135(Rel4)v4.2.0.pdf |
| Release 5 | | | | | |
| CCSA | CCSA-TSD-DS-22.135 | 5.0.0 | Published | Jul 02 | http://www.ccsa.org.cn/english/tc/files.php?docpath=/ITU-R/M.1457/M.1457-12/DS |
| ETSI | ETSI TS 122 135 | 5.0.0 | Published | Jul 02 | http://www.etsi.org/deliver/etsi_ts/122100_122199/122135/05.00.00_60/ |
| TTC | TS-3GA-22.135(Rel5)v5.0.0 | 5.0.0 | Approved | Aug 02 | http://www.ttc.or.jp/j/document_list/free/TS/TS-3GA-22.135(Rel5)v5.0.0.pdf |
| Release 6 | | | | | |
| CCSA | CCSA-TSD-DS-22.135 | 6.0.0 | Published | Jan 05 | http://www.ccsa.org.cn/english/tc/files.php?docpath=/ITU-R/M.1457/M.1457-12/DS |
| ETSI | ETSI TS 122 135 | 6.0.0 | Published | Jan 05 | http://www.etsi.org/deliver/etsi_ts/122100_122199/122135/06.00.00_60/ |
| TTC | TS-3GA-22.135(Rel6)v6.0.0 | 6.0.0 | Approved | Mar 05 | http://www.ttc.or.jp/j/document_list/free/TS/TS-3GA-22.135(Rel6)v6.0.0.pdf |
| Release 7 | | | | | |
| CCSA | CCSA-TSD-DS-22.135 | 7.0.0 | Published | Jul 07 | http://www.ccsa.org.cn/english/tc/files.php?docpath=/ITU-R/M.1457/M.1457-12/DS |
| ETSI | ETSI TS 122 135 | 7.0.0 | Published | Jul 07 | http://www.etsi.org/deliver/etsi_ts/122100_122199/122135/07.00.00_60/ |

| | | | | | |
|-------------------|-----------------------------|--------|-----------|--------|---|
| TTC | TS-3GA-22.135(Rel7)v7.0.0 | 7.0.0 | Approved | Mar 08 | http://www.ttc.or.jp/j/document_list/free/TS/TS-3GA-22.135(Rel7)v7.0.0.pdf |
| Release 8 | | | | | |
| CCSA | CCSA-TSD-DS-22.135 | 8.0.0 | Published | Jan 09 | http://www.ccsa.org.cn/english/tc/files.php?docpath=/ITU-R/M.1457/M.1457-12/DS |
| ETSI | ETSI TS 122 135 | 8.0.0 | Published | Jan 09 | http://www.etsi.org/deliver/etsi_ts/122100_122199/122135/08.00.00_60/ |
| TTA | TTAT.3G-22.135(R8-8.0.0) | 8.0.0 | Approved | Jul 09 | http://www.tta.or.kr/data/ttasDown.jsp?where=14688&pk_num=TTAT.3G-22.135(R8-8.0.0) |
| TTC | TS-3GA-22.135(Rel8)v8.0.0 | 8.0.0 | Approved | Feb 09 | http://www.ttc.or.jp/j/document_list/free/3gpps2009/TS/TS-3GA-22.135(Rel8)v8.0.0.pdf |
| Release 9 | | | | | |
| CCSA | CCSA-TSD-DS-22.135 | 9.0.0 | Published | Mar 10 | http://www.ccsa.org.cn/english/tc/files.php?docpath=/ITU-R/M.1457/M.1457-12/DS |
| ETSI | ETSI TS 122 135 | 9.0.0 | Published | Jan 10 | http://www.etsi.org/deliver/etsi_ts/122100_122199/122135/09.00.00_60/ |
| TTA | TTAT.3G-22.135(R9-9.0.0) | 9.0.0 | Approved | Jul 10 | http://www.tta.or.kr/data/ttasDown.jsp?where=14688&pk_num=TTAT.3G-22.135(R9-9.0.0) |
| TTC | TS-3GA-22.135(Rel9)v9.0.0 | 9.0.0 | Approved | Jul 10 | http://www.ttc.or.jp/j/document_list/free/3gpps2010/TS/TS-3GA-22.135(Rel9)v9.0.0.pdf |
| Release 10 | | | | | |
| CCSA | CCSA-TSD-DS-22.135 | 10.0.0 | Published | Jun 12 | http://www.ccsa.org.cn/english/tc/files.php?docpath=/ITU-R/M.1457/M.1457-12/DS |
| ETSI | ETSI TS 122 135 | 10.0.0 | Published | May 11 | http://www.etsi.org/deliver/etsi_ts/122100_122199/122135/10.00.00_60/ |
| TTA | TTAT.3G-22.135(R10-10.0.0) | 10.0.0 | Approved | Apr 12 | http://www.tta.or.kr/data/ttasDown.jsp?where=14688&pk_num=TTAT.3G-22.135(R10-10.0.0) |
| TTC | TS-3GA-22.135(Rel10)v10.0.0 | 10.0.0 | Approved | Jun 11 | http://www.ttc.or.jp/j/document_list/free/3gpps2011/TS/TS-3GA-22.135(Rel10)v10.0.0.pdf |
| Release 11 | | | | | |
| CCSA | CCSA-TSD-DS-22.135 | 11.0.0 | Published | Jun 14 | http://www.ccsa.org.cn/english/tc/files.php?docpath=/ITU-R/M.1457/M.1457-12/DS |
| ETSI | ETSI TS 122 135 | 11.0.0 | Published | Oct 12 | http://www.etsi.org/deliver/etsi_ts/122100_122199/122135/11.00.00_60/ |
| TTA | TTAT.3G-22.135(R11-11.0.0) | 11.0.0 | published | Aug 13 | http://www.tta.or.kr/data/ttasDown.jsp?where=14688&pk_num=TTAT.3G-22.135(R11-11.0.0) |
| TTC | TS-3GA-22.135(Rel11)v11.0.0 | 11.0.0 | Approved | Jun 13 | http://www.ttc.or.jp/j/document_list/free/3gpps2013/TS/TS-3GA-22.135(Rel11)v11.0.0.pdf |

5.1.2.13.39 TS 22.141

Presence Service; Stage 1

This specification defines the requirements for the support of the presence service. The presence service results in presence information of a user and information on a user's devices, services and services components being managed by the network.

| SDO (2) | Document No. | Version | Status | Issued date | Location (1) |
|------------------|---------------------|---------|-----------|-------------|---|
| Release 6 | | | | | |
| ARIB | ARIB STD-T63-22.141 | 6.5.0 | Approved | Jul 13 | http://www.arib.or.jp/english/html/overview/doc/STD-T63v10_00/2_T63/ARIB-STD-T63/Rel6/22/A22141-650.pdf |
| ETSI | ETSI TS 122 141 | 6.5.0 | Published | Jan 06 | http://www.etsi.org/deliver/etsi_ts/122100_122199/122141/06.05.00_60/ |
| Release 7 | | | | | |
| ARIB | ARIB STD-T63-22.141 | 7.0.0 | Approved | Jul 13 | http://www.arib.or.jp/english/html/overview/doc/STD-T63v10_00/2_T63/ARIB-STD-T63/Rel7/22/A22141-700.pdf |
| ETSI | ETSI TS 122 141 | 7.0.0 | Published | Jan 06 | http://www.etsi.org/deliver/etsi_ts/122100_122199/122141/07.00.00_60/ |
| Release 8 | | | | | |
| ARIB | ARIB STD-T63-22.141 | 8.0.0 | Approved | Jul 13 | http://www.arib.or.jp/english/html/overview/doc/STD-T63v10_00/2_T63/ARIB-STD-T63/Rel8/22/A22141-800.pdf |
| ETSI | ETSI TS 122 141 | 8.0.0 | Published | Jan 09 | http://www.etsi.org/deliver/etsi_ts/122100_122199/122141/08.00.00_60/ |
| Release 9 | | | | | |

| | | | | | |
|-------------------|----------------------------|--------|-----------|--------|---|
| ARIB | ARIB STD-T63-22.141 | 9.0.0 | Approved | Jul 13 | http://www.arib.or.jp/english/html/overview/doc/STD-T63v10_00/2_T63/ARIB-STD-T63/Rel9/22/A22141-900.pdf |
| ETSI | ETSI TS 122 141 | 9.0.0 | Published | Jan 10 | http://www.etsi.org/deliver/etsi_ts/122100_122199/122141/09.00.00_60/ |
| Release 10 | | | | | |
| ARIB | ARIB STD-T63-22.141 | 10.0.0 | Approved | Jul 13 | http://www.arib.or.jp/english/html/overview/doc/STD-T63v10_00/2_T63/ARIB-STD-T63/Rel10/22/A22141-a00.pdf |
| ETSI | ETSI TS 122 141 | 10.0.0 | Published | May 11 | http://www.etsi.org/deliver/etsi_ts/122100_122199/122141/10.00.00_60/ |
| Release 11 | | | | | |
| ARIB | ARIB STD-T63-22.141 | 11.0.0 | Approved | Jul 13 | http://www.arib.or.jp/english/html/overview/doc/STD-T63v10_00/2_T63/ARIB-STD-T63/Rel11/22/A22141-b00.pdf |
| CCSA | CCSA-TSD-DS-22.141 | 11.0.0 | Published | Jun 14 | http://www.ccsa.org.cn/english/tc/files.php?docpath=/ITU-R/M.1457/M.1457-12/DS |
| ETSI | ETSI TS 122 141 | 11.0.0 | Published | Oct 12 | http://www.etsi.org/deliver/etsi_ts/122100_122199/122141/11.00.00_60/ |
| TTA | TTAT.3G-22.141(R11-11.0.0) | 11.0.0 | published | Aug 13 | http://www.tta.or.kr/data/ttasDown.jsp?where=14688&pk_num=TTAT.3G-22.141(R11-11.0.0) |

5.1.2.13.40 TS 22.146

Multimedia Broadcast/Multicast Service (MBMS); Stage 1

The document describes MBMS User Services that use the capabilities of MBMS. Application scenarios including charging, QoS aspects and related service requirements derived from them are described. These scenarios and service requirements can be used as guidance for the design of codecs and bearers.

| SDO (2) | Document No. | Version | Status | Issued date | Location (1) |
|-------------------|----------------------------|---------|-----------|-------------|---|
| Release 6 | | | | | |
| ARIB | ARIB STD-T63-22.146 | 6.8.0 | Approved | Jul 13 | http://www.arib.or.jp/english/html/overview/doc/STD-T63v10_00/2_T63/ARIB-STD-T63/Rel6/22/A22146-680.pdf |
| CCSA | CCSA-TSD-DS-22.146 | 6.8.0 | Published | Jan 09 | http://www.ccsa.org.cn/english/tc/files.php?docpath=/ITU-R/M.1457/M.1457-12/DS |
| ETSI | ETSI TS 122 146 | 6.8.0 | Published | Jan 09 | http://www.etsi.org/deliver/etsi_ts/122100_122199/122146/06.08.00_60/ |
| Release 7 | | | | | |
| ARIB | ARIB STD-T63-22.146 | 7.3.0 | Approved | Jul 13 | http://www.arib.or.jp/english/html/overview/doc/STD-T63v10_00/2_T63/ARIB-STD-T63/Rel7/22/A22146-730.pdf |
| CCSA | CCSA-TSD-DS-22.146 | 7.3.0 | Published | Jan 09 | http://www.ccsa.org.cn/english/tc/files.php?docpath=/ITU-R/M.1457/M.1457-12/DS |
| ETSI | ETSI TS 122 146 | 7.3.0 | Published | Jan 09 | http://www.etsi.org/deliver/etsi_ts/122100_122199/122146/07.03.00_60/ |
| Release 8 | | | | | |
| ARIB | ARIB STD-T63-22.146 | 8.4.0 | Approved | Jul 13 | http://www.arib.or.jp/english/html/overview/doc/STD-T63v10_00/2_T63/ARIB-STD-T63/Rel8/22/A22146-840.pdf |
| CCSA | CCSA-TSD-DS-22.146 | 8.4.0 | Published | Jan 09 | http://www.ccsa.org.cn/english/tc/files.php?docpath=/ITU-R/M.1457/M.1457-12/DS |
| ETSI | ETSI TS 122 146 | 8.4.0 | Published | Jan 09 | http://www.etsi.org/deliver/etsi_ts/122100_122199/122146/08.04.00_60/ |
| TTA | TTAT.3G-22.146(R8-8.4.0) | 8.4.0 | Approved | Jul 09 | http://www.tta.or.kr/data/ttasDown.jsp?where=14688&pk_num=TTAT.3G-22.146(R8-8.4.0) |
| Release 9 | | | | | |
| ARIB | ARIB STD-T63-22.146 | 9.0.0 | Approved | Jul 13 | http://www.arib.or.jp/english/html/overview/doc/STD-T63v10_00/2_T63/ARIB-STD-T63/Rel9/22/A22146-900.pdf |
| CCSA | CCSA-TSD-DS-22.146 | 9.0.0 | Published | Mar 10 | http://www.ccsa.org.cn/english/tc/files.php?docpath=/ITU-R/M.1457/M.1457-12/DS |
| ETSI | ETSI TS 122 146 | 9.0.0 | Published | Jan 10 | http://www.etsi.org/deliver/etsi_ts/122100_122199/122146/09.00.00_60/ |
| TTA | TTAT.3G-22.146(R9-9.0.0) | 9.0.0 | Approved | Jul 10 | http://www.tta.or.kr/data/ttasDown.jsp?where=14688&pk_num=TTAT.3G-22.146(R9-9.0.0) |
| Release 10 | | | | | |
| ARIB | ARIB STD-T63-22.146 | 10.1.0 | Approved | Jul 13 | http://www.arib.or.jp/english/html/overview/doc/STD-T63v10_00/2_T63/ARIB-STD-T63/Rel10/22/A22146-a10.pdf |
| CCSA | CCSA-TSD-DS-22.146 | 10.1.0 | Published | Jun 12 | http://www.ccsa.org.cn/english/tc/files.php?docpath=/ITU-R/M.1457/M.1457-12/DS |
| ETSI | ETSI TS 122 146 | 10.1.0 | Published | Jan 12 | http://www.etsi.org/deliver/etsi_ts/122100_122199/122146/10.01.00_60/ |
| TTA | TTAT.3G-22.146(R10-10.1.0) | 10.1.0 | Approved | Aug 12 | http://www.tta.or.kr/data/ttasDown.jsp?where=14688&pk_num=TTAT.3G-22.146(R10-10.1.0) |
| Release 11 | | | | | |

| | | | | | |
|------|----------------------------|--------|-----------|--------|---|
| CCSA | CCSA-TSD-DS-22.146 | 11.1.0 | Published | Jun 14 | http://www.ccsa.org.cn/english/tc/files.php?docpath=/ITU-R/M.1457/M.1457-12/DS |
| ETSI | ETSI TS 122 146 | 11.1.0 | Published | May 13 | http://www.etsi.org/deliver/etsi_ts/122100_122199/122146/11.01.00_60/ |
| TTA | TTAT.3G-22.146(R11-11.1.0) | 11.1.0 | published | Aug 13 | http://www.tta.or.kr/data/ttasDown.jsp?where=14688&pk_num=TTAT.3G-22.146(R11-11.1.0) |

5.1.2.13.41 TS 22.153

Multimedia priority service

The document specifies the service requirements for Multimedia Priority Service (MPS). Its scope is to specify those requirements of MPS necessary to provide an end-to-end service and to interwork with external networks where needed. Service interactions with external networks are considered within the scope of this document although these interactions may be specified in other standards.

| SDO (2) | Document No. | Version | Status | Issued date | Location (1) |
|-------------------|----------------------------|---------|-----------|-------------|---|
| Release 8 | | | | | |
| ARIB | ARIB STD-T63-22.153 | 8.2.0 | Approved | Jul 13 | http://www.arib.or.jp/english/html/overview/doc/STD-T63v10_00/2_T63/ARIB-STD-T63/Rel8/22/A22153-820.pdf |
| CCSA | CCSA-TSD-DS-22.153 | 8.2.0 | Published | Oct 08 | http://www.ccsa.org.cn/english/tc/files.php?docpath=/ITU-R/M.1457/M.1457-12/DS |
| ETSI | ETSI TS 122 153 | 8.2.0 | Published | Oct 08 | http://www.etsi.org/deliver/etsi_ts/122100_122199/122153/08.02.00_60/ |
| TTA | TTAT.3G-22.153(R8-8.2.0) | 8.2.0 | Approved | Jul 09 | http://www.tta.or.kr/data/ttasDown.jsp?where=14688&pk_num=TTAT.3G-22.153(R8-8.2.0) |
| Release 9 | | | | | |
| ARIB | ARIB STD-T63-22.153 | 9.2.0 | Approved | Jul 13 | http://www.arib.or.jp/english/html/overview/doc/STD-T63v10_00/2_T63/ARIB-STD-T63/Rel9/22/A22153-920.pdf |
| CCSA | CCSA-TSD-DS-22.153 | 9.2.0 | Published | Mar 10 | http://www.ccsa.org.cn/english/tc/files.php?docpath=/ITU-R/M.1457/M.1457-12/DS |
| ETSI | ETSI TS 122 153 | 9.2.0 | Published | Jan 10 | http://www.etsi.org/deliver/etsi_ts/122100_122199/122153/09.02.00_60/ |
| TTA | TTAT.3G-22.153(R9-9.2.0) | 9.2.0 | Approved | Jul 10 | http://www.tta.or.kr/data/ttasDown.jsp?where=14688&pk_num=TTAT.3G-22.153(R9-9.2.0) |
| Release 10 | | | | | |
| ARIB | ARIB STD-T63-22.153 | 10.1.0 | Approved | Jul 13 | http://www.arib.or.jp/english/html/overview/doc/STD-T63v10_00/2_T63/ARIB-STD-T63/Rel10/22/A22153-a10.pdf |
| CCSA | CCSA-TSD-DS-22.153 | 10.1.0 | Published | Jun 12 | http://www.ccsa.org.cn/english/tc/files.php?docpath=/ITU-R/M.1457/M.1457-12/DS |
| ETSI | ETSI TS 122 153 | 10.1.0 | Published | Apr 11 | http://www.etsi.org/deliver/etsi_ts/122100_122199/122153/10.01.00_60/ |
| TTA | TTAT.3G-22.153(R10-10.1.0) | 10.1.0 | Approved | Apr 12 | http://www.tta.or.kr/data/ttasDown.jsp?where=14688&pk_num=TTAT.3G-22.153(R10-10.1.0) |
| Release 11 | | | | | |
| ARIB | ARIB STD-T63-22.153 | 11.1.0 | Approved | Jul 13 | http://www.arib.or.jp/english/html/overview/doc/STD-T63v10_00/2_T63/ARIB-STD-T63/Rel11/22/A22153-b10.pdf |
| CCSA | CCSA-TSD-DS-22.153 | 11.1.0 | Published | Jun 14 | http://www.ccsa.org.cn/english/tc/files.php?docpath=/ITU-R/M.1457/M.1457-12/DS |
| ETSI | ETSI TS 122 153 | 11.1.0 | Published | Nov 12 | http://www.etsi.org/deliver/etsi_ts/122100_122199/122153/11.01.00_60/ |
| TTA | TTAT.3G-22.153(R11-11.1.0) | 11.1.0 | published | Aug 13 | http://www.tta.or.kr/data/ttasDown.jsp?where=14688&pk_num=TTAT.3G-22.153(R11-11.1.0) |

5.1.2.13.42 TS 22.168

Earthquake and Tsunami Warning System (ETWS) requirements; Stage 1

The document defines the stage one description of the Earthquake and Tsunami Warning System (ETWS) Requirements. Stage one is the set of requirements seen primarily from the users and service providers points of view. It includes information applicable to network operators, service providers, terminal and network manufacturers, in case of deployment of ETWS. ETWS deployment depends on operator decision or national regulations. The TS contains the core requirements for the Earthquake and Tsunami Warning System, which are sufficient to provide a complete service. It also contains

regional requirements for Earthquake and Tsunami Warning System.

| SDO (2) | Document No. | Version | Status | Issued date | Location (1) |
|------------------|--------------------------|---------|-----------|-------------|---|
| Release 8 | | | | | |
| ARIB | ARIB STD-T63-22.168 | 8.3.0 | Approved | Jul 13 | http://www.arib.or.jp/english/html/overview/doc/STD-T63v10_00/2_T63/ARIB-STD-T63/Rel8/22/A22168-830.pdf |
| CCSA | CCSA-TSD-DS-22.168 | 8.1.0 | Published | Jan 09 | http://www.ccsa.org.cn/english/tc/files.php?docpath=/ITU-R/M.1457/M.1457-12/DS |
| ETSI | ETSI TS 122 168 | 8.3.0 | Published | Jan 13 | http://www.etsi.org/deliver/etsi_ts/122100_122199/122168/08.03.00_60/ |
| TTA | TTAT.3G-22.168(R8-8.1.0) | 8.1.0 | Approved | Jul 09 | http://www.tta.or.kr/data/ttasDown.jsp?where=14688&pk_num=TTAT.3G-22.168(R8-8.1.0) |
| Release 9 | | | | | |
| TTA | TTAT.3G-22.168(R9-9.0.0) | 9.0.0 | Approved | Oct 10 | http://www.tta.or.kr/data/ttasDown.jsp?where=14688&pk_num=TTAT.3G-22.168(R9-9.0.0) |

5.1.2.13.43 TS 22.173

IP Multimedia Core Network Subsystem (IMS) Multimedia Telephony Service and supplementary services; Stage 1

The document defines the IMS Multimedia Telephony service and the minimum set of capabilities required to secure multi-vendor and multi-operator inter-operability for Multimedia Telephony and related Supplementary Services.

| SDO (2) | Document No. | Version | Status | Issued date | Location (1) |
|-------------------|-----------------------------|---------|-----------|-------------|---|
| Release 7 | | | | | |
| CCSA | CCSA-TSD-DS-22.173 | 7.5.0 | Published | Jul 08 | http://www.ccsa.org.cn/english/tc/files.php?docpath=/ITU-R/M.1457/M.1457-12/DS |
| ETSI | ETSI TS 122 173 | 7.5.0 | Published | Jul 08 | http://www.etsi.org/deliver/etsi_ts/122100_122199/122173/07.05.00_60/ |
| TTC | TS-3GA-22.173(Rel7)v7.5.0 | 7.5.0 | Approved | Feb 09 | http://www.ttc.or.jp/j/document_list/free/3gpps2009/TS/TS-3GA-22.173(Rel7)v7.5.0.pdf |
| Release 8 | | | | | |
| CCSA | CCSA-TSD-DS-22.173 | 8.9.0 | Published | Jun 12 | http://www.ccsa.org.cn/english/tc/files.php?docpath=/ITU-R/M.1457/M.1457-12/DS |
| ETSI | ETSI TS 122 173 | 8.9.0 | Published | Jan 12 | http://www.etsi.org/deliver/etsi_ts/122100_122199/122173/08.09.00_60/ |
| TTA | TTAT.3G-22.173(R8-8.6.0) | 8.6.0 | Approved | Jul 09 | http://www.tta.or.kr/data/ttasDown.jsp?where=14688&pk_num=TTAT.3G-22.173(R8-8.6.0) |
| TTC | TS-3GA-22.173(Rel8)v8.9.0 | 8.9.0 | Approved | Feb 12 | http://www.ttc.or.jp/j/document_list/free/3gpps2012/TS/TS-3GA-22.173(Rel8)v8.9.0.pdf |
| Release 9 | | | | | |
| CCSA | CCSA-TSD-DS-22.173 | 9.6.0 | Published | Jun 12 | http://www.ccsa.org.cn/english/tc/files.php?docpath=/ITU-R/M.1457/M.1457-12/DS |
| ETSI | ETSI TS 122 173 | 9.6.0 | Published | Jan 12 | http://www.etsi.org/deliver/etsi_ts/122100_122199/122173/09.06.00_60/ |
| TTA | TTAT.3G-22.173(R9-9.5.0) | 9.5.0 | Approved | Jul 10 | http://www.tta.or.kr/data/ttasDown.jsp?where=14688&pk_num=TTAT.3G-22.173(R9-9.5.0) |
| TTC | TS-3GA-22.173(Rel9)v9.6.0 | 9.6.0 | Approved | Feb 12 | http://www.ttc.or.jp/j/document_list/free/3gpps2012/TS/TS-3GA-22.173(Rel9)v9.6.0.pdf |
| Release 10 | | | | | |
| CCSA | CCSA-TSD-DS-22.173 | 10.4.0 | Published | Jun 12 | http://www.ccsa.org.cn/english/tc/files.php?docpath=/ITU-R/M.1457/M.1457-12/DS |
| ETSI | ETSI TS 122 173 | 10.5.0 | Published | Jul 12 | http://www.etsi.org/deliver/etsi_ts/122100_122199/122173/10.05.00_60/ |
| TTA | TTAT.3G-22.173(R10-10.4.0) | 10.4.0 | Approved | Aug 12 | http://www.tta.or.kr/data/ttasDown.jsp?where=14688&pk_num=TTAT.3G-22.173(R10-10.4.0) |
| TTC | TS-3GA-22.173(Rel10)v10.5.0 | 10.5.0 | Approved | Sep 12 | http://www.ttc.or.jp/j/document_list/free/3gpps2012/TS/TS-3GA-22.173(Rel10)v10.4.0.pdf |
| Release 11 | | | | | |
| CCSA | CCSA-TSD-DS-22.173 | 11.6.0 | Published | Jun 14 | http://www.ccsa.org.cn/english/tc/files.php?docpath=/ITU-R/M.1457/M.1457-12/DS |
| ETSI | ETSI TS 122 173 | 11.4.0 | Published | Nov 12 | http://www.etsi.org/deliver/etsi_ts/122100_122199/122173/11.04.00_60/ |
| TTA | TTAT.3G-22.173(R11-11.4.0) | 11.4.0 | published | Aug 13 | http://www.tta.or.kr/data/ttasDown.jsp?where=14688&pk_num=TTAT.3G-22.173(R11-11.4.0) |
| TTC | TS-3GA-22.173(Rel11)v11.4.0 | 11.4.0 | Approved | Jun 13 | http://www.ttc.or.jp/j/document_list/free/3gpps2013/TS/TS-3GA-22.173(Rel11)v11.4.0.pdf |

5.1.2.13.44 TS 22.182

Customized Alerting Tones (CAT) requirements; Stage 1

This document specifies the requirements and technical considerations for Customized Alerting Tone (CAT) service in both CS and PS domains, especially additional features for roaming and interoperability support.

| SDO (2) | Document No. | Version | Status | Issued date | Location (1) |
|-------------------|----------------------------|---------|-----------|-------------|---|
| Release 8 | | | | | |
| ARIB | ARIB STD-T63-22.182 | 8.5.0 | Approved | Jul 13 | http://www.arib.or.jp/english/html/overview/doc/STD-T63v10_00/2_T63/ARIB-STD-T63/Rel8/22/A22182-850.pdf |
| CCSA | CCSA-TSD-DS-22.182 | 8.5.0 | Published | Jun 12 | http://www.ccsa.org.cn/english/tc/files.php?docpath=/ITU-R/M.1457/M.1457-12/DS |
| ETSI | ETSI TS 122 182 | 8.5.0 | Published | Jun 09 | http://www.etsi.org/deliver/etsi_ts/122100_122199/122182/08.05.00_60/ |
| Release 9 | | | | | |
| ARIB | ARIB STD-T63-22.182 | 9.2.0 | Approved | Jul 13 | http://www.arib.or.jp/english/html/overview/doc/STD-T63v10_00/2_T63/ARIB-STD-T63/Rel9/22/A22182-920.pdf |
| CCSA | CCSA-TSD-DS-22.182 | 9.2.0 | Published | Jun 12 | http://www.ccsa.org.cn/english/tc/files.php?docpath=/ITU-R/M.1457/M.1457-12/DS |
| ETSI | ETSI TS 122 182 | 9.2.0 | Published | Jan 10 | http://www.etsi.org/deliver/etsi_ts/122100_122199/122182/09.02.00_60/ |
| Release 10 | | | | | |
| ARIB | ARIB STD-T63-22.182 | 10.0.0 | Approved | Jul 13 | http://www.arib.or.jp/english/html/overview/doc/STD-T63v10_00/2_T63/ARIB-STD-T63/Rel10/22/A22182-a00.pdf |
| CCSA | CCSA-TSD-DS-22.182 | 10.0.0 | Published | Jun 12 | http://www.ccsa.org.cn/english/tc/files.php?docpath=/ITU-R/M.1457/M.1457-12/DS |
| ETSI | ETSI TS 122 182 | 10.0.0 | Published | May 11 | http://www.etsi.org/deliver/etsi_ts/122100_122199/122182/10.00.00_60/ |
| TTA | TTAT.3G-22.182(R10-10.0.0) | 10.0.0 | Approved | Apr 12 | http://www.tta.or.kr/data/ttasDown.jsp?where=14688&pk_num=TTAT.3G-22.182(R10-10.0.0) |
| Release 11 | | | | | |
| ARIB | ARIB STD-T63-22.182 | 11.0.0 | Approved | Jul 13 | http://www.arib.or.jp/english/html/overview/doc/STD-T63v10_00/2_T63/ARIB-STD-T63/Rel11/22/A22182-b00.pdf |
| CCSA | CCSA-TSD-DS-22.182 | 11.0.0 | Published | Jun 12 | http://www.ccsa.org.cn/english/tc/files.php?docpath=/ITU-R/M.1457/M.1457-12/DS |
| ETSI | ETSI TS 122 182 | 11.0.0 | Published | Oct 12 | http://www.etsi.org/deliver/etsi_ts/122100_122199/122182/11.00.00_60/ |
| TTA | TTAT.3G-22.182(R11-11.0.0) | 11.0.0 | published | Aug 13 | http://www.tta.or.kr/data/ttasDown.jsp?where=14688&pk_num=TTAT.3G-22.182(R11-11.0.0) |

5.1.2.13.45 TS 22.183

Customized Ringing Signal (CRS) requirements; Stage 1

The document specifies the requirements and technical considerations for Customized Ringing Signal (CRS) service in the PS and CS domains, especially additional features for roaming and interoperability support.

| SDO (2) | Document No. | Version | Status | Issued date | Location (1) |
|-------------------|-----------------------------|---------|-----------|-------------|---|
| Release 9 | | | | | |
| CCSA | CCSA-TSD-DS-22.183 | 9.1.0 | Published | Jun 12 | http://www.ccsa.org.cn/english/tc/files.php?docpath=/ITU-R/M.1457/M.1457-12/DS |
| ETSI | ETSI TS 122 183 | 9.1.0 | Published | Feb 10 | http://www.etsi.org/deliver/etsi_ts/122100_122199/122183/09.01.00_60/ |
| TTC | TS-3GA-22.183(Rel9)v9.1.0 | 9.1.0 | Approved | Jul 10 | http://www.ttc.or.jp/j/document_list/free/3gpps2010/TS/TS-3GA-22.183(Rel9)v9.1.0.pdf |
| Release 10 | | | | | |
| CCSA | CCSA-TSD-DS-22.183 | 10.0.0 | Published | Jun 12 | http://www.ccsa.org.cn/english/tc/files.php?docpath=/ITU-R/M.1457/M.1457-12/DS |
| ETSI | ETSI TS 122 183 | 10.0.0 | Published | May 11 | http://www.etsi.org/deliver/etsi_ts/122100_122199/122183/10.00.00_60/ |
| TTA | TTAT.3G-22.183(R10-10.0.0) | 10.0.0 | Approved | Apr 12 | http://www.tta.or.kr/data/ttasDown.jsp?where=14688&pk_num=TTAT.3G-22.183(R10-10.0.0) |
| TTC | TS-3GA-22.183(Rel10)v10.0.0 | 10.0.0 | Approved | Jun 11 | http://www.ttc.or.jp/j/document_list/free/3gpps2011/TS/TS-3GA-22.183(Rel10)v10.0.0.pdf |

Release 11

| | | | | | |
|------|-----------------------------|--------|-----------|--------|---|
| CCSA | CCSA-TSD-DS-22.183 | 11.0.0 | Published | Jun 14 | http://www.ccsa.org.cn/english/tc/files.php?docpath=/ITU-R/M.1457/M.1457-12/DS |
| ETSI | ETSI TS 122 183 | 11.0.0 | Published | Oct 12 | http://www.etsi.org/deliver/etsi_ts/122100_122199/122183/11.00.00_60/ |
| TTA | TTAT.3G-22.183(R11-11.0.0) | 11.0.0 | published | Aug 13 | http://www.tta.or.kr/data/ttasDown.jsp?where=14688&pk_num=TTAT.3G-22.183(R11-11.0.0) |
| TTC | TS-3GA-22.183(Rel11)v11.0.0 | 11.0.0 | Approved | Jun 13 | http://www.ttc.or.jp/j/document_list/free/3gpps2013/TS/TS-3GA-22.183(Rel11)v11.0.0.pdf |

5.1.2.13.46 TS 22.220**Service requirements for Home Node B (HNB) and Home eNode B (HeNB)**

This specification defines the service requirements for the basic functionalities for the support of Home NodeB (HNB) and Home eNodeB (HeNB) – jointly referred to as H(e)NB – and the further functionalities that will enable the mobile operators to provide more advanced services as well as improving the user experience.

| SDO (2) | Document No. | Version | Status | Issued date | Location (1) |
|-------------------|----------------------------|---------|-----------|-------------|---|
| Release 9 | | | | | |
| ARIB | ARIB STD-T63-22.220 | 9.10.0 | Approved | Jul 13 | http://www.arib.or.jp/english/html/overview/doc/STD-T63v10_00/2_T63/ARIB-STD-T63/Rel9/22/A22220-9a0.pdf |
| CCSA | CCSA-TSD-DS-22.220 | 9.8.0 | Published | Jun 12 | http://www.ccsa.org.cn/english/tc/files.php?docpath=/ITU-R/M.1457/M.1457-12/DS |
| ETSI | ETSI TS 122 220 | 9.10.0 | Published | Sep 12 | http://www.etsi.org/deliver/etsi_ts/122200_122299/122220/09.10.00_60/ |
| Release 10 | | | | | |
| ARIB | ARIB STD-T63-22.220 | 10.10.0 | Approved | Jul 13 | http://www.arib.or.jp/english/html/overview/doc/STD-T63v10_00/2_T63/ARIB-STD-T63/Rel10/22/A22220-aa0.pdf |
| CCSA | CCSA-TSD-DS-22.220 | 10.8.0 | Published | Jun 12 | http://www.ccsa.org.cn/english/tc/files.php?docpath=/ITU-R/M.1457/M.1457-12/DS |
| ETSI | ETSI TS 122 220 | 10.10.0 | Published | Sep 12 | http://www.etsi.org/deliver/etsi_ts/122200_122299/122220/10.10.00_60/ |
| TTA | TTAT.3G-22.220(R10-10.8.0) | 10.8.0 | Approved | Aug 12 | http://www.tta.or.kr/data/ttasDown.jsp?where=14688&pk_num=TTAT.3G-22.220(R10-10.8.0) |
| Release 11 | | | | | |
| ARIB | ARIB STD-T63-22.220 | 11.6.0 | Approved | Jul 13 | http://www.arib.or.jp/english/html/overview/doc/STD-T63v10_00/2_T63/ARIB-STD-T63/Rel11/22/A22220-b60.pdf |
| CCSA | CCSA-TSD-DS-22.220 | 11.6.0 | Published | Jun 14 | http://www.ccsa.org.cn/english/tc/files.php?docpath=/ITU-R/M.1457/M.1457-12/DS |
| ETSI | ETSI TS 122 220 | 11.6.0 | Published | Sep 12 | http://www.etsi.org/deliver/etsi_ts/122200_122299/122220/11.06.00_60/ |
| TTA | TTAT.3G-22.220(R11-11.6.0) | 11.6.0 | published | Aug 13 | http://www.tta.or.kr/data/ttasDown.jsp?where=14688&pk_num=TTAT.3G-22.220(R11-11.6.0) |

5.1.2.13.47 TS 22.226**Global Text Telephony (GTT); Stage 1**

This Technical Specification defines the stage one description of the Global Text Telephone Feature, GTT.

| SDO (2) | Document No. | Version | Status | Issued date | Location (1) |
|------------------|---------------------------|---------|-----------|-------------|---|
| Release 5 | | | | | |
| ETSI | ETSI TS 122 226 | 5.2.0 | Published | Apr 02 | http://www.etsi.org/deliver/etsi_ts/122200_122299/122226/05.02.00_60/ |
| TTC | TS-3GA-22.226(Rel5)v5.2.0 | 5.2.0 | Approved | May 02 | http://www.ttc.or.jp/j/document_list/free/TS/TS-3GA-22.226(Rel5)v5.2.0.pdf |
| Release 6 | | | | | |
| ETSI | ETSI TS 122 226 | 6.0.0 | Published | Jan 05 | http://www.etsi.org/deliver/etsi_ts/122200_122299/122226/06.00.00_60/ |
| TTC | TS-3GA-22.226(Rel6)v6.0.0 | 6.0.0 | Approved | Mar 05 | http://www.ttc.or.jp/j/document_list/free/TS/TS-3GA-22.226(Rel6)v6.0.0.pdf |
| Release 7 | | | | | |

| | | | | | |
|-------------------|-----------------------------|--------|-----------|--------|---|
| ETSI | ETSI TS 122 226 | 7.0.0 | Published | Jul 07 | http://www.etsi.org/deliver/etsi_ts/122200_122299/122226/07.00.00_60/ |
| TTC | TS-3GA-22.226(Rel7)v7.0.0 | 7.0.0 | Approved | Mar 08 | http://www.ttc.or.jp/j/document_list/free/TS/TS-3GA-22.226(Rel7)v7.0.0.pdf |
| Release 8 | | | | | |
| ETSI | ETSI TS 122 226 | 8.0.0 | Published | Jan 09 | http://www.etsi.org/deliver/etsi_ts/122200_122299/122226/08.00.00_60/ |
| TTC | TS-3GA-22.226(Rel8)v8.0.0 | 8.0.0 | Approved | Feb 09 | http://www.ttc.or.jp/j/document_list/free/3gpps2009/TS/TS-3GA-22.226(Rel8)v8.0.0.pdf |
| Release 9 | | | | | |
| ETSI | ETSI TS 122 226 | 9.0.0 | Published | Jan 10 | http://www.etsi.org/deliver/etsi_ts/122200_122299/122226/09.00.00_60/ |
| TTC | TS-3GA-22.226(Rel9)v9.0.0 | 9.0.0 | Approved | Jul 10 | http://www.ttc.or.jp/j/document_list/free/3gpps2010/TS/TS-3GA-22.226(Rel9)v9.0.0.pdf |
| Release 10 | | | | | |
| ETSI | ETSI TS 122 226 | 10.0.0 | Published | May 11 | http://www.etsi.org/deliver/etsi_ts/122200_122299/122226/10.00.00_60/ |
| TTC | TS-3GA-22.226(Rel10)v10.0.0 | 10.0.0 | Approved | Jun 11 | http://www.ttc.or.jp/j/document_list/free/3gpps2011/TS/TS-3GA-22.226(Rel10)v10.0.0.pdf |
| Release 11 | | | | | |
| CCSA | CCSA-TSD-DS-22.226 | 11.0.0 | Published | Jun 14 | http://www.ccsa.org.cn/english/tc/files.php?docpath=/ITU-R/M.1457/M.1457-12/DS |
| ETSI | ETSI TS 122 226 | 11.0.0 | Published | Oct 12 | http://www.etsi.org/deliver/etsi_ts/122200_122299/122226/11.00.00_60/ |
| TTA | TTAT.3G-22.226(R11-11.0.0) | 11.0.0 | published | Aug 13 | http://www.tta.or.kr/data/ttasDown.jsp?where=14688&pk_num=TTAT.3G-22.226(R11-11.0.0) |
| TTC | TS-3GA-22.226(Rel11)v11.0.0 | 11.0.0 | Approved | Jun 13 | http://www.ttc.or.jp/j/document_list/free/3gpps2013/TS/TS-3GA-22.226(Rel11)v11.0.0.pdf |

5.1.2.13.48 TS 22.228

Service requirements for the Internet Protocol (IP) multimedia core network subsystem (IMS); Stage 1

This specification describes all IP Multimedia services offered by UMTS Systems and second generation systems.

| SDO (2) | Document No. | Version | Status | Issued date | Location (1) |
|------------------|----------------------------|---------|-----------|-------------|---|
| Release 5 | | | | | |
| ARIB | ARIB STD-T63-22.228 | 5.7.0 | Approved | Jul 13 | http://www.arib.or.jp/english/html/overview/doc/STD-T63v10_00/2_T63/ARIB-STD-T63/Rel5/22/A22228-570.pdf |
| CCSA | CCSA-TSD-TDD-22.228 | 5.7.0 | Published | Apr 06 | http://www.ccsa.org.cn/english/tc/files.php?docpath=/ITU-R/M.1457/M.1457-12/TDD |
| ETSI | ETSI TS 122 228 | 5.7.0 | Published | Apr 06 | http://www.etsi.org/deliver/etsi_ts/122200_122299/122228/05.07.00_60/ |
| TTC | TS-3GA-22.228(Rel5)v5.7.0 | 5.7.0 | Approved | Mar 07 | http://www.ttc.or.jp/j/document_list/free/TS/TS-3GA-22.228(Rel5)v5.7.0.pdf |
| Release 6 | | | | | |
| ARIB | ARIB STD-T63-22.228 | 6.11.0 | Approved | Jul 13 | http://www.arib.or.jp/english/html/overview/doc/STD-T63v10_00/2_T63/ARIB-STD-T63/Rel6/22/A22228-6b0.pdf |
| CCSA | CCSA-TSD-TDD-22.228 | 6.11.0 | Published | Apr 06 | http://www.ccsa.org.cn/english/tc/files.php?docpath=/ITU-R/M.1457/M.1457-12/TDD |
| ETSI | ETSI TS 122 228 | 6.11.0 | Published | Apr 06 | http://www.etsi.org/deliver/etsi_ts/122200_122299/122228/06.11.00_60/ |
| TTC | TS-3GA-22.228(Rel6)v6.11.0 | 6.11.0 | Approved | Mar 07 | http://www.ttc.or.jp/j/document_list/free/TS/TS-3GA-22.228(Rel6)v6.11.0.pdf |
| Release 7 | | | | | |
| ARIB | ARIB STD-T63-22.228 | 7.6.0 | Approved | Jul 13 | http://www.arib.or.jp/english/html/overview/doc/STD-T63v10_00/2_T63/ARIB-STD-T63/Rel7/22/A22228-760.pdf |
| CCSA | CCSA-TSD-TDD-22.228 | 7.6.0 | Published | Oct 07 | http://www.ccsa.org.cn/english/tc/files.php?docpath=/ITU-R/M.1457/M.1457-12/TDD |
| ETSI | ETSI TS 122 228 | 7.6.0 | Published | Oct 07 | http://www.etsi.org/deliver/etsi_ts/122200_122299/122228/07.06.00_60/ |
| TTC | TS-3GA-22.228(Rel7)v7.6.0 | 7.6.0 | Approved | Feb 09 | http://www.ttc.or.jp/j/document_list/free/3gpps2009/TS/TS-3GA-22.228(Rel7)v7.6.0.pdf |
| Release 8 | | | | | |
| ARIB | ARIB STD-T63-22.228 | 8.7.0 | Approved | Jul 13 | http://www.arib.or.jp/english/html/overview/doc/STD-T63v10_00/2_T63/ARIB-STD-T63/Rel8/22/A22228-870.pdf |
| CCSA | CCSA-TSD-TDD-22.228 | 8.6.0 | Published | Jan 09 | http://www.ccsa.org.cn/english/tc/files.php?docpath=/ITU-R/M.1457/M.1457-12/TDD |
| ETSI | ETSI TS 122 228 | 8.7.0 | Published | Jan 13 | http://www.etsi.org/deliver/etsi_ts/122200_122299/122228/08.07.00_60/ |
| TTA | TTAT.3G-22.228(R8-8.6.0) | 8.6.0 | Approved | Jul 09 | http://www.tta.or.kr/data/ttasDown.jsp?where=14688&pk_num=TTAT.3G-22.228(R8-8.6.0) |

| | | | | | |
|-------------------|-----------------------------|--------|-----------|--------|---|
| TTC | TS-3GA-22.228(Rel8)v8.7.0 | 8.7.0 | Approved | Jun 13 | http://www.ttc.or.jp/j/document_list/free/3gpps2013/TS/TS-3GA-22.228(Rel8)v8.7.0.pdf |
| Release 9 | | | | | |
| ARIB | ARIB STD-T63-22.228 | 9.4.0 | Approved | Jul 13 | http://www.arib.or.jp/english/html/overview/doc/STD-T63v10_00/2_T63/ARIB-STD-T63/Rel9/22/A22228-940.pdf |
| CCSA | CCSA-TSD-TDD-22.228 | 9.3.0 | Published | Jun 12 | http://www.ccsa.org.cn/english/tc/files.php?docpath=/ITU-R/M.1457/M.1457-12/TDD |
| ETSI | ETSI TS 122 228 | 9.4.0 | Published | Jan 13 | http://www.etsi.org/deliver/etsi_ts/122200_122299/122228/09.04.00_60/ |
| TTA | TTAT.3G-22.228(R9-9.2.0) | 9.2.0 | Approved | Jul 10 | http://www.tta.or.kr/data/ttasDown.jsp?where=14688&pk_num=TTAT.3G-22.228(R9-9.2.0) |
| TTC | TS-3GA-22.228(Rel9)v9.4.0 | 9.4.0 | Approved | Jun 13 | http://www.ttc.or.jp/j/document_list/free/3gpps2013/TS/TS-3GA-22.228(Rel9)v9.4.0.pdf |
| Release 10 | | | | | |
| ARIB | ARIB STD-T63-22.228 | 10.5.0 | Approved | Jul 13 | http://www.arib.or.jp/english/html/overview/doc/STD-T63v10_00/2_T63/ARIB-STD-T63/Rel10/22/A22228-a50.pdf |
| CCSA | CCSA-TSD-TDD-22.228 | 10.4.1 | Published | Jun 12 | http://www.ccsa.org.cn/english/tc/files.php?docpath=/ITU-R/M.1457/M.1457-12/TDD |
| ETSI | ETSI TS 122 228 | 10.5.0 | Published | Jan 13 | http://www.etsi.org/deliver/etsi_ts/122200_122299/122228/10.05.00_60/ |
| TTA | TTAT.3G-22.228(R10-10.4.1) | 10.4.1 | Approved | Apr 12 | http://www.tta.or.kr/data/ttasDown.jsp?where=14688&pk_num=TTAT.3G-22.228(R10-10.4.1) |
| TTC | TS-3GA-22.228(Rel10)v10.5.0 | 10.5.0 | Approved | Jun 13 | http://www.ttc.or.jp/j/document_list/free/3gpps2013/TS/TS-3GA-22.228(Rel10)v10.5.0.pdf |
| Release 11 | | | | | |
| ARIB | ARIB STD-T63-22.228 | 11.6.0 | Approved | Jul 13 | http://www.arib.or.jp/english/html/overview/doc/STD-T63v10_00/2_T63/ARIB-STD-T63/Rel11/22/A22228-b60.pdf |
| CCSA | CCSA-TSD-TDD-22.228 | 11.6.0 | Published | Jun 14 | http://www.ccsa.org.cn/english/tc/files.php?docpath=/ITU-R/M.1457/M.1457-12/TDD |
| ETSI | ETSI TS 122 228 | 11.6.0 | Published | Jan 13 | http://www.etsi.org/deliver/etsi_ts/122200_122299/122228/11.06.00_60/ |
| TTA | TTAT.3G-22.228(R11-11.6.0) | 11.6.0 | published | Aug 13 | http://www.tta.or.kr/data/ttasDown.jsp?where=14688&pk_num=TTAT.3G-22.228(R11-11.6.0) |
| TTC | TS-3GA-22.228(Rel11)v11.6.0 | 11.6.0 | Approved | Jun 13 | http://www.ttc.or.jp/j/document_list/free/3gpps2013/TS/TS-3GA-22.228(Rel11)v11.6.0.pdf |

5.1.2.13.49 TS 22.234

Requirements on 3GPP system to Wireless Local Area Network (WLAN) interworking

The document specifies the functional requirements placed on the 3GPP system for interworking WLAN with the 3GPP system. Guidance is given for WLAN operators intending to provide the interworked WLAN capability.

| SDO (2) | Document No. | Version | Status | Issued date | Location (1) |
|------------------|---------------------------|---------|-----------|-------------|---|
| Release 6 | | | | | |
| CCSA | CCSA-TSD-TDD-22.234 | 6.4.0 | Published | Jul 06 | http://www.ccsa.org.cn/english/tc/files.php?docpath=/ITU-R/M.1457/M.1457-12/TDD |
| ETSI | ETSI TS 122 234 | 6.4.0 | Published | Jul 06 | http://www.etsi.org/deliver/etsi_ts/122200_122299/122234/06.04.00_60/ |
| TTC | TS-3GA-22.234(Rel6)v6.4.0 | 6.4.0 | Approved | Mar 08 | http://www.ttc.or.jp/j/document_list/free/TS/TS-3GA-22.234(Rel6)v6.4.0.pdf |
| Release 7 | | | | | |
| CCSA | CCSA-TSD-TDD-22.234 | 7.6.0 | Published | Oct 07 | http://www.ccsa.org.cn/english/tc/files.php?docpath=/ITU-R/M.1457/M.1457-12/TDD |
| ETSI | ETSI TS 122 234 | 7.6.0 | Published | Oct 07 | http://www.etsi.org/deliver/etsi_ts/122200_122299/122234/07.06.00_60/ |
| TTC | TS-3GA-22.234(Rel7)v7.6.0 | 7.6.0 | Approved | Mar 08 | http://www.ttc.or.jp/j/document_list/free/TS/TS-3GA-22.234(Rel7)v7.6.0.pdf |
| Release 8 | | | | | |
| CCSA | CCSA-TSD-TDD-22.234 | 8.1.1 | Published | Mar 10 | http://www.ccsa.org.cn/english/tc/files.php?docpath=/ITU-R/M.1457/M.1457-12/TDD |
| ETSI | ETSI TS 122 234 | 8.1.1 | Published | Jan 10 | http://www.etsi.org/deliver/etsi_ts/122200_122299/122234/08.01.01_60/ |
| TTA | TTAT.3G-22.234(R8-8.1.0) | 8.1.0 | Approved | Jul 09 | http://www.tta.or.kr/data/ttasDown.jsp?where=14688&pk_num=TTAT.3G-22.234(R8-8.1.0) |
| TTC | TS-3GA-22.234(Rel8)v8.1.0 | 8.1.0 | Approved | Feb 09 | http://www.ttc.or.jp/j/document_list/free/3gpps2009/TS/TS-3GA-22.234(Rel8)v8.1.0.pdf |
| Release 9 | | | | | |
| CCSA | CCSA-TSD-TDD-22.234 | 9.0.0 | Published | Mar 10 | http://www.ccsa.org.cn/english/tc/files.php?docpath=/ITU-R/M.1457/M.1457-12/TDD |
| ETSI | ETSI TS 122 234 | 9.0.0 | Published | Jan 10 | http://www.etsi.org/deliver/etsi_ts/122200_122299/122234/09.00.00_60/ |
| TTA | TTAT.3G-22.234(R9-9.0.0) | 9.0.0 | Approved | Jul 10 | http://www.tta.or.kr/data/ttasDown.jsp?where=14688&pk_num=TTAT.3G-22.234(R9-9.0.0) |

| | | | | | |
|-------------------|-----------------------------|--------|-----------|--------|---|
| TTC | TS-3GA-22.234(Rel9)v9.0.0 | 9.0.0 | Approved | Jul 10 | http://www.ttc.or.jp/j/document_list/free/3gpps2010/TS/TS-3GA-22.234(Rel9)v9.0.0.pdf |
| Release 10 | | | | | |
| CCSA | CCSA-TSD-TDD-22.234 | 10.0.0 | Published | Jun 12 | http://www.ccsa.org.cn/english/tc/files.php?docpath=/ITU-R/M.1457/M.1457-12/TDD |
| ETSI | ETSI TS 122 234 | 10.0.0 | Published | Apr 11 | http://www.etsi.org/deliver/etsi_ts/122200_122299/122234/10.00.00_60/ |
| TTA | TTAT.3G-22.234(R10-10.0.0) | 10.0.0 | Approved | Apr 12 | http://www.tta.or.kr/data/ttasDown.jsp?where=14688&pk_num=TTAT.3G-22.234(R10-10.0.0) |
| TTC | TS-3GA-22.234(Rel10)v10.0.0 | 10.0.0 | Approved | Jun 11 | http://www.ttc.or.jp/j/document_list/free/3gpps2011/TS/TS-3GA-22.234(Rel10)v10.0.0.pdf |
| Release 11 | | | | | |
| CCSA | CCSA-TSD-TDD-22.234 | 11.0.0 | Published | Jun 14 | http://www.ccsa.org.cn/english/tc/files.php?docpath=/ITU-R/M.1457/M.1457-12/TDD |
| ETSI | ETSI TS 122 234 | 11.0.0 | Published | Oct 12 | http://www.etsi.org/deliver/etsi_ts/122200_122299/122234/11.00.00_60/ |
| TTA | TTAT.3G-22.234(R11-11.0.0) | 11.0.0 | published | Aug 13 | http://www.tta.or.kr/data/ttasDown.jsp?where=14688&pk_num=TTAT.3G-22.234(R11-11.0.0) |
| TTC | TS-3GA-22.234(Rel11)v11.0.0 | 11.0.0 | Approved | Jun 13 | http://www.ttc.or.jp/j/document_list/free/3gpps2013/TS/TS-3GA-22.234(Rel11)v11.0.0.pdf |

5.1.2.13.50 TS 22.246

Multimedia Broadcast/Multicast Service (MBMS) user services; Stage 1

This document describes MBMS User Services that use the capabilities of MBMS. Application scenarios including charging, QoS aspects and related service requirements derived from them are described. These scenarios and service requirements can be used as guidance for the design of codecs and bearers.

| SDO (2) | Document No. | Version | Status | Issued date | Location (1) |
|-------------------|----------------------------|---------|-----------|-------------|---|
| Release 6 | | | | | |
| ARIB | ARIB STD-T63-22.246 | 6.3.0 | Approved | Jul 13 | http://www.arib.or.jp/english/html/overview/doc/STD-T63v10_00/2_T63/ARIB-STD-T63/Rel6/22/A22246-630.pdf |
| CCSA | CCSA-TSD-DS-22.246 | 6.3.0 | Published | Jun 12 | http://www.ccsa.org.cn/english/tc/files.php?docpath=/ITU-R/M.1457/M.1457-12/DS |
| ETSI | ETSI TS 122 246 | 6.3.0 | Published | May 06 | http://www.etsi.org/deliver/etsi_ts/122200_122299/122246/06.03.00_60/ |
| Release 7 | | | | | |
| ARIB | ARIB STD-T63-22.246 | 7.4.0 | Approved | Jul 13 | http://www.arib.or.jp/english/html/overview/doc/STD-T63v10_00/2_T63/ARIB-STD-T63/Rel7/22/A22246-740.pdf |
| CCSA | CCSA-TSD-DS-22.246 | 7.4.0 | Published | Jun 12 | http://www.ccsa.org.cn/english/tc/files.php?docpath=/ITU-R/M.1457/M.1457-12/DS |
| ETSI | ETSI TS 122 246 | 7.4.0 | Published | Jan 09 | http://www.etsi.org/deliver/etsi_ts/122200_122299/122246/07.04.00_60/ |
| Release 8 | | | | | |
| ARIB | ARIB STD-T63-22.246 | 8.5.0 | Approved | Jul 13 | http://www.arib.or.jp/english/html/overview/doc/STD-T63v10_00/2_T63/ARIB-STD-T63/Rel8/22/A22246-850.pdf |
| CCSA | CCSA-TSD-DS-22.246 | 8.5.0 | Published | Jun 12 | http://www.ccsa.org.cn/english/tc/files.php?docpath=/ITU-R/M.1457/M.1457-12/DS |
| ETSI | ETSI TS 122 246 | 8.5.0 | Published | Jan 09 | http://www.etsi.org/deliver/etsi_ts/122200_122299/122246/08.05.00_60/ |
| Release 9 | | | | | |
| ARIB | ARIB STD-T63-22.246 | 9.0.0 | Approved | Jul 13 | http://www.arib.or.jp/english/html/overview/doc/STD-T63v10_00/2_T63/ARIB-STD-T63/Rel9/22/A22246-900.pdf |
| CCSA | CCSA-TSD-DS-22.246 | 9.0.0 | Published | Jun 12 | http://www.ccsa.org.cn/english/tc/files.php?docpath=/ITU-R/M.1457/M.1457-12/DS |
| ETSI | ETSI TS 122 246 | 9.0.0 | Published | Jan 10 | http://www.etsi.org/deliver/etsi_ts/122200_122299/122246/09.00.00_60/ |
| Release 10 | | | | | |
| ARIB | ARIB STD-T63-22.246 | 10.0.0 | Approved | Jul 13 | http://www.arib.or.jp/english/html/overview/doc/STD-T63v10_00/2_T63/ARIB-STD-T63/Rel10/22/A22246-a00.pdf |
| CCSA | CCSA-TSD-DS-22.246 | 10.0.0 | Published | Jun 12 | http://www.ccsa.org.cn/english/tc/files.php?docpath=/ITU-R/M.1457/M.1457-12/DS |
| ETSI | ETSI TS 122 246 | 10.0.0 | Published | May 11 | http://www.etsi.org/deliver/etsi_ts/122200_122299/122246/10.00.00_60/ |
| TTA | TTAT.3G-22.246(R10-10.0.0) | 10.0.0 | Approved | Apr 12 | http://www.tta.or.kr/data/ttasDown.jsp?where=14688&pk_num=TTAT.3G-22.246(R10-10.0.0) |

Release 11

| | | | | | |
|------|----------------------------|--------|-----------|--------|---|
| ARIB | ARIB STD-T63-22.246 | 11.0.0 | Approved | Jul 13 | http://www.arib.or.jp/english/html/overview/doc/STD-T63v10_00/2_T63/ARIB-STD-T63/Rel11/22/A22246-b00.pdf |
| CCSA | CCSA-TSD-DS-22.246 | 11.0.0 | Published | Jun 14 | http://www.ccsa.org.cn/english/tc/files.php?docpath=/ITU-R/M.1457/M.1457-12/DS |
| ETSI | ETSI TS 122 246 | 11.0.0 | Published | Oct 12 | http://www.etsi.org/deliver/etsi_ts/122200_122299/122246/11.00.00_60/ |
| TTA | TTAT.3G-22.246(R11-11.0.0) | 11.0.0 | published | Aug 13 | http://www.tta.or.kr/data/ttasDown.jsp?where=14688&pk_num=TTAT.3G-22.246(R11-11.0.0) |

5.1.2.13.51 TS 22.268**Public Warning System (PWS) requirements**

This document covers the core requirements for the PWS that are sufficient to provide a complete service. This TS also covers subsystem additional requirements for the Earthquake and Tsunami Warning System (ETWS) and the Commercial Mobile Alert System (CMAS).

| SDO (2) | Document No. | Version | Status | Issued date | Location (1) |
|-------------------|----------------------------|---------|-----------|-------------|---|
| Release 9 | | | | | |
| ARIB | ARIB STD-T63-22.268 | 9.5.0 | Approved | Jul 13 | http://www.arib.or.jp/english/html/overview/doc/STD-T63v10_00/2_T63/ARIB-STD-T63/Rel9/22/A22268-950.pdf |
| CCSA | CCSA-TSD-DS-22.268 | 9.3.0 | Published | Jun 12 | http://www.ccsa.org.cn/english/tc/files.php?docpath=/ITU-R/M.1457/M.1457-12/DS |
| ETSI | ETSI TS 122 268 | 9.5.0 | Published | Jan 13 | http://www.etsi.org/deliver/etsi_ts/122200_122299/122268/09.05.00_60/ |
| Release 10 | | | | | |
| ARIB | ARIB STD-T63-22.268 | 10.4.0 | Approved | Jul 13 | http://www.arib.or.jp/english/html/overview/doc/STD-T63v10_00/2_T63/ARIB-STD-T63/Rel10/22/A22268-a40.pdf |
| CCSA | CCSA-TSD-DS-22.268 | 10.2.0 | Published | Jun 12 | http://www.ccsa.org.cn/english/tc/files.php?docpath=/ITU-R/M.1457/M.1457-12/DS |
| ETSI | ETSI TS 122 268 | 10.4.0 | Published | Jan 13 | http://www.etsi.org/deliver/etsi_ts/122200_122299/122268/10.04.00_60/ |
| TTA | TTAT.3G-22.268(R10-10.0.0) | 10.0.0 | Approved | Aug 12 | http://www.tta.or.kr/data/ttasDown.jsp?where=14688&pk_num=TTAT.3G-22.268(R10-10.0.0) |
| Release 11 | | | | | |
| ARIB | ARIB STD-T63-22.268 | 11.5.0 | Approved | Jul 13 | http://www.arib.or.jp/english/html/overview/doc/STD-T63v10_00/2_T63/ARIB-STD-T63/Rel11/22/A22268-b50.pdf |
| CCSA | CCSA-TSD-DS-22.268 | 11.5.0 | Published | Jun 14 | http://www.ccsa.org.cn/english/tc/files.php?docpath=/ITU-R/M.1457/M.1457-12/DS |
| ETSI | ETSI TS 122 268 | 11.5.0 | Published | Jan 13 | http://www.etsi.org/deliver/etsi_ts/122200_122299/122268/11.05.00_60/ |
| TTA | TTAT.3G-22.268(R11-11.5.0) | 11.5.0 | published | Aug 13 | http://www.tta.or.kr/data/ttasDown.jsp?where=14688&pk_num=TTAT.3G-22.268(R11-11.5.0.) |

5.1.2.13.52 TS 22.278

Service requirements for the Evolved Packet System (EPS)

This document describes the service requirements for the Evolved Packet System.

| SDO (2) | Document No. | Version | Status | Issued date | Location (1) |
|-------------------|----------------------------|---------|-----------|-------------|---|
| Release 8 | | | | | |
| ARIB | ARIB STD-T63-22.278 | 8.10.0 | Approved | Jul 13 | http://www.arib.or.jp/english/html/overview/doc/STD-T63v10_00/2_T63/ARIB-STD-T63/Rel8/22/A22278-8a0.pdf |
| CCSA | CCSA-TSD-DS-22.278 | 8.10.0 | Published | Mar 10 | http://www.ccsa.org.cn/english/tc/files.php?docpath=/ITU-R/M.1457/M.1457-12/DS |
| ETSI | ETSI TS 122 278 | 8.10.0 | Published | Jan 10 | http://www.etsi.org/deliver/etsi_ts/122200_122299/122278/08.10.00_60/ |
| TTA | TTAT.3G-22.278(R8-8.7.0) | 8.7.0 | Approved | Jul 09 | http://www.tta.or.kr/data/ttasDown.jsp?where=14688&pk_num=TTAT.3G-22.278(R8-8.7.0) |
| Release 9 | | | | | |
| ARIB | ARIB STD-T63-22.278 | 9.6.0 | Approved | Jul 13 | http://www.arib.or.jp/english/html/overview/doc/STD-T63v10_00/2_T63/ARIB-STD-T63/Rel9/22/A22278-960.pdf |
| CCSA | CCSA-TSD-DS-22.278 | 9.6.0 | Published | Jun 12 | http://www.ccsa.org.cn/english/tc/files.php?docpath=/ITU-R/M.1457/M.1457-12/DS |
| ETSI | ETSI TS 122 278 | 9.6.0 | Published | Oct 10 | http://www.etsi.org/deliver/etsi_ts/122200_122299/122278/09.06.00_60/ |
| TTA | TTAT.3G-22.278(R9-9.5.0) | 9.5.0 | Approved | Jul 10 | http://www.tta.or.kr/data/ttasDown.jsp?where=14688&pk_num=TTAT.3G-22.278(R9-9.5.0) |
| Release 10 | | | | | |
| ARIB | ARIB STD-T63-22.278 | 10.2.0 | Approved | Jul 13 | http://www.arib.or.jp/english/html/overview/doc/STD-T63v10_00/2_T63/ARIB-STD-T63/Rel10/22/A22278-a20.pdf |
| CCSA | CCSA-TSD-DS-22.278 | 10.2.0 | Published | Jun 12 | http://www.ccsa.org.cn/english/tc/files.php?docpath=/ITU-R/M.1457/M.1457-12/DS |
| ETSI | ETSI TS 122 278 | 10.2.0 | Published | Apr 11 | http://www.etsi.org/deliver/etsi_ts/122200_122299/122278/10.02.00_60/ |
| TTA | TTAT.3G-22.278(R10-10.2.0) | 10.2.0 | Approved | Apr 12 | http://www.tta.or.kr/data/ttasDown.jsp?where=14688&pk_num=TTAT.3G-22.278(R10-10.2.0) |
| Release 11 | | | | | |
| ARIB | ARIB STD-T63-22.278 | 11.6.0 | Approved | Jul 13 | http://www.arib.or.jp/english/html/overview/doc/STD-T63v10_00/2_T63/ARIB-STD-T63/Rel11/22/A22278-b60.pdf |
| CCSA | CCSA-TSD-DS-22.278 | 11.6.0 | Published | Jun 14 | http://www.ccsa.org.cn/english/tc/files.php?docpath=/ITU-R/M.1457/M.1457-12/DS |
| ETSI | ETSI TS 122 278 | 11.6.0 | Published | Sep 12 | http://www.etsi.org/deliver/etsi_ts/122200_122299/122278/11.06.00_60/ |
| TTA | TTAT.3G-22.278(R11-11.6.0) | 11.6.0 | published | Aug 13 | http://www.tta.or.kr/data/ttasDown.jsp?where=14688&pk_num=TTAT.3G-22.278(R11-11.6.0) |

5.1.2.13.53 TS 22.279

Combined Circuit Switched (CS) and IP Multimedia Subsystem (IMS) sessions; Stage 1

This document specifies service requirements for Combining CS and IMS services using a CS speech or CS multimedia call in association with an IMS session.

| SDO (2) | Document No. | Version | Status | Issued date | Location (1) |
|------------------|---------------------------|---------|-----------|-------------|---|
| Release 7 | | | | | |
| ETSI | ETSI TS 122 279 | 7.1.0 | Published | Jan 06 | http://www.etsi.org/deliver/etsi_ts/122200_122299/122279/07.01.00_60/ |
| TTC | TS-3GA-22.279(Rel7)v7.1.0 | 7.1.0 | Approved | Mar 08 | http://www.ttc.or.jp/j/document_list/free/TS/TS-3GA-22.279(Rel7)v7.1.0.pdf |
| Release 8 | | | | | |
| ETSI | ETSI TS 122 279 | 8.0.0 | Published | Jan 09 | http://www.etsi.org/deliver/etsi_ts/122200_122299/122279/08.00.00_60/ |
| TTC | TS-3GA-22.279(Rel8)v8.0.0 | 8.0.0 | Approved | Feb 09 | http://www.ttc.or.jp/j/document_list/free/3gpps2009/TS/TS-3GA-22.279(Rel8)v8.0.0.pdf |
| Release 9 | | | | | |
| ETSI | ETSI TS 122 279 | 9.0.0 | Published | Jan 10 | http://www.etsi.org/deliver/etsi_ts/122200_122299/122279/09.00.00_60/ |

| | | | | | |
|-----|---------------------------|-------|----------|--------|---|
| TTC | TS-3GA-22.279(Rel9)v9.0.0 | 9.0.0 | Approved | Jul 10 | http://www.ttc.or.jp/j/document_list/free/3gpps2010/TS/TS-3GA-22.279(Rel9)v9.0.0.pdf |
|-----|---------------------------|-------|----------|--------|---|

Release 10

| | | | | | |
|------|-----------------------------|--------|-----------|--------|---|
| ETSI | ETSI TS 122 279 | 10.0.0 | Published | May 11 | http://www.etsi.org/deliver/etsi_ts/122200_122299/122279/10.00.00_60/ |
| TTC | TS-3GA-22.279(Rel10)v10.0.0 | 10.0.0 | Approved | Jun 11 | http://www.ttc.or.jp/j/document_list/free/3gpps2011/TS/TS-3GA-22.279(Rel10)v10.0.0.pdf |

Release 11

| | | | | | |
|------|-----------------------------|--------|-----------|--------|---|
| CCSA | CCSA-TSD-TDD-22.279 | 11.0.0 | Published | Jun 14 | http://www.ccsa.org.cn/english/tc/files.php?docpath=/ITU-R/M.1457/M.1457-12/TDD |
| ETSI | ETSI TS 122 279 | 11.0.0 | Published | Oct 12 | http://www.etsi.org/deliver/etsi_ts/122200_122299/122279/11.00.00_60/ |
| TTA | TTAT.3G-22.279(R11-11.0.0) | 11.0.0 | published | Aug 13 | http://www.tta.or.kr/data/ttasDown.jsp?where=14688&pk_num=TTAT.3G-22.279(R11-11.0.0) |
| TTC | TS-3GA-22.279(Rel11)v11.0.0 | 11.0.0 | Approved | Jun 13 | http://www.ttc.or.jp/j/document_list/free/3gpps2013/TS/TS-3GA-22.279(Rel11)v11.0.0.pdf |

5.1.2.13.54 TS 22.368**Service requirements for Machine-Type Communications (MTC); Stage 1**

This document specifies the service requirements for Network Improvements for Machine Type Communications. In particular it will:

- identify and specify general requirements for machine type communications;
- identify service aspects where network improvements (compared to the current human-to-human oriented services) are needed to cater for the specific nature of machine-type communications;
- specify machine type communication requirements for these service aspects where network improvements are needed for machine type communication.

| SDO (2) | Document No. | Version | Status | Issued date | Location (1) |
|-------------------|----------------------------|---------|-----------|-------------|---|
| Release 10 | | | | | |
| ARIB | ARIB STD-T63-22.368 | 10.5.0 | Approved | Jul 13 | http://www.arib.or.jp/english/html/overview/doc/STD-T63v10_00/2_T63/ARIB-STD-T63/Rel10/22/A22368-a50.pdf |
| CCSA | CCSA-TSD-DS-22.368 | 10.5.0 | Published | Jun 12 | http://www.ccsa.org.cn/english/tc/files.php?docpath=/ITU-R/M.1457/M.1457-12/DS |
| ETSI | ETSI TS 122 368 | 10.5.0 | Published | Jul 11 | http://www.etsi.org/deliver/etsi_ts/122300_122399/122368/10.05.00_60/ |
| TTA | TTAT.3G-22.368(R10-10.5.0) | 10.5.0 | Approved | Apr 12 | http://www.tta.or.kr/data/ttasDown.jsp?where=14688&pk_num=TTAT.3G-22.368(R10-10.5.0) |
| Release 11 | | | | | |
| ARIB | ARIB STD-T63-22.368 | 11.6.0 | Approved | Jul 13 | http://www.arib.or.jp/english/html/overview/doc/STD-T63v10_00/2_T63/ARIB-STD-T63/Rel11/22/A22368-b60.pdf |
| CCSA | CCSA-TSD-DS-22.368 | 11.6.0 | Published | Jun 14 | http://www.ccsa.org.cn/english/tc/files.php?docpath=/ITU-R/M.1457/M.1457-12/DS |
| ETSI | ETSI TS 122 368 | 11.6.0 | Published | Sep 12 | http://www.etsi.org/deliver/etsi_ts/122300_122399/122368/11.06.00_60/ |
| TTA | TTAT.3G-22.368(R11-11.6.0) | 11.6.0 | published | Aug 13 | http://www.tta.or.kr/data/ttasDown.jsp?where=14688&pk_num=TTAT.3G-22.368(R11-11.6.0) |

5.1.2.13.55 TR 22.971**Automatic establishment of roaming relationships**

This report describes a proposed framework for commercial and technical interworking between UMTS home environments and serving networks who have no direct prior commercial agreements with each other. This text is applicable to UMTS standardization within ETSI, and is produced with the intent to clarify the concepts involved, and identify those areas which require standardization.

| SDO (2) | Document No. | Version | Status | Issued date | Location (1) |
|-------------------|---------------------------|---------|-----------|-------------|---|
| Release 99 | | | | | |
| CCSA | CCSA-TSD-DS-22.971 | 3.1.1 | Published | Feb 00 | http://www.ccsa.org.cn/english/tc/files.php?docpath=/ITU-R/M.1457/M.1457-12/DS |
| ETSI | ETSI TR 122 971 | 3.1.1 | Published | Feb 00 | http://www.etsi.org/deliver/etsi_tr/122900_122999/122971/03.01.01_60/ |
| TTA | TTAE.3G-22.971(R99-3.1.1) | 3.1.1 | Approved | Jul 09 | http://www.tta.or.kr/data/ttasDown.jsp?where=14688&pk_num=TTAE.3G-22.971(R99-3.1.1) |
| TTC | TR-3GA-22.971(R99)v3.1.1 | 3.1.1 | Approved | Feb 02 | http://www.ttc.or.jp/j/document_list/free/TR/TR-3GA-22.971(R99)v3.1.1.pdf |

5.1.2.13.56 TS 23.002

Network architecture

This specification describes the possible architectures of the mobile system.

| SDO (2) | Document No. | Version | Status | Issued date | Location (1) |
|-------------------|----------------------------|---------|-----------|-------------|---|
| Release 99 | | | | | |
| CCSA | CCSA-TSD-DS-23.002 | 3.6.0 | Published | Oct 02 | http://www.ccsa.org.cn/english/tc/files.php?docpath=/ITU-R/M.1457/M.1457-12/DS |
| ETSI | ETSI TS 123 002 | 3.6.0 | Published | Oct 02 | http://www.etsi.org/deliver/etsi_ts/123000_123099/123002/03.06.00_60/ |
| TTC | TS-3GA-23.002(R99)v3.6.0 | 3.6.0 | Approved | Nov 02 | http://www.ttc.or.jp/j/document_list/free/TS/TS-3GA-23.002(R99)v3.6.0.pdf |
| Release 4 | | | | | |
| CCSA | CCSA-TSD-DS-23.002 | 4.8.0 | Published | Jul 03 | http://www.ccsa.org.cn/english/tc/files.php?docpath=/ITU-R/M.1457/M.1457-12/DS |
| ETSI | ETSI TS 123 002 | 4.8.0 | Published | Jul 03 | http://www.etsi.org/deliver/etsi_ts/123000_123099/123002/04.08.00_60/ |
| TTC | TS-3GA-23.002(Rel4)v4.8.0 | 4.8.0 | Approved | Aug 03 | http://www.ttc.or.jp/j/document_list/free/TS/TS-3GA-23.002(Rel4)v4.8.0.pdf |
| Release 5 | | | | | |
| CCSA | CCSA-TSD-DS-23.002 | 5.12.0 | Published | Oct 03 | http://www.ccsa.org.cn/english/tc/files.php?docpath=/ITU-R/M.1457/M.1457-12/DS |
| ETSI | ETSI TS 123 002 | 5.12.0 | Published | Oct 03 | http://www.etsi.org/deliver/etsi_ts/123000_123099/123002/05.12.00_60/ |
| TTC | TS-3GA-23.002(Rel5)v5.12.0 | 5.12.0 | Approved | Nov 03 | http://www.ttc.or.jp/j/document_list/free/TS/TS-3GA-23.002(Rel5)v5.12.0.pdf |
| Release 6 | | | | | |
| CCSA | CCSA-TSD-DS-23.002 | 6.10.0 | Published | Jan 06 | http://www.ccsa.org.cn/english/tc/files.php?docpath=/ITU-R/M.1457/M.1457-12/DS |
| ETSI | ETSI TS 123 002 | 6.10.0 | Published | Jan 06 | http://www.etsi.org/deliver/etsi_ts/123000_123099/123002/06.10.00_60/ |
| TTC | TS-3GA-23.002(Rel6)v6.10.0 | 6.10.0 | Approved | Feb 06 | http://www.ttc.or.jp/j/document_list/free/TS/TS-3GA-23.002(Rel6)v6.10.0.pdf |
| Release 7 | | | | | |
| CCSA | CCSA-TSD-DS-23.002 | 7.6.0 | Published | Jan 09 | http://www.ccsa.org.cn/english/tc/files.php?docpath=/ITU-R/M.1457/M.1457-12/DS |
| ETSI | ETSI TS 123 002 | 7.6.0 | Published | Jan 09 | http://www.etsi.org/deliver/etsi_ts/123000_123099/123002/07.06.00_60/ |
| TTC | TS-3GA-23.002(Rel7)v7.6.0 | 7.6.0 | Approved | Feb 09 | http://www.ttc.or.jp/j/document_list/free/3gpps2009/TS/TS-3GA-23.002(Rel7)v7.6.0.pdf |
| Release 8 | | | | | |
| CCSA | CCSA-TSD-DS-23.002 | 8.7.0 | Published | Jun 12 | http://www.ccsa.org.cn/english/tc/files.php?docpath=/ITU-R/M.1457/M.1457-12/DS |
| ETSI | ETSI TS 123 002 | 8.7.0 | Published | Jan 11 | http://www.etsi.org/deliver/etsi_ts/123000_123099/123002/08.07.00_60/ |
| TTA | TTAT.3G-23.002(R8-8.4.0) | 8.4.0 | Approved | Jul 09 | http://www.tta.or.kr/data/ttasDown.jsp?where=14688&pk_num=TTAT.3G-23.002(R8-8.4.0) |
| TTC | TS-3GA-23.002(Rel8)v8.7.0 | 8.7.0 | Approved | Apr 11 | http://www.ttc.or.jp/j/document_list/free/3gpps2011/TS/TS-3GA-23.002(Rel8)v8.7.0.pdf |
| Release 9 | | | | | |
| CCSA | CCSA-TSD-DS-23.002 | 9.6.0 | Published | Jun 12 | http://www.ccsa.org.cn/english/tc/files.php?docpath=/ITU-R/M.1457/M.1457-12/DS |
| ETSI | ETSI TS 123 002 | 9.6.0 | Published | Oct 11 | http://www.etsi.org/deliver/etsi_ts/123000_123099/123002/09.06.00_60/ |
| TTA | TTAT.3G-23.002(R9-9.2.0) | 9.2.0 | Approved | Jul 10 | http://www.tta.or.kr/data/ttasDown.jsp?where=14688&pk_num=TTAT.3G-23.002(R9-9.2.0) |

| | | | | | |
|-------------------|-----------------------------|--------|-----------|--------|---|
| TTC | TS-3GA-23.002(Rel9)v9.6.0 | 9.6.0 | Approved | Dec 11 | http://www.ttc.or.jp/j/document_list/free/3gpps2011/TS/TS-3GA-23.002(Rel9)v9.6.0.pdf |
| Release 10 | | | | | |
| CCSA | CCSA-TSD-DS-23.002 | 10.4.0 | Published | Jun 12 | http://www.ccsa.org.cn/english/tc/files.php?docpath=/ITU-R/M.1457/M.1457-12/DS |
| ETSI | ETSI TS 123 002 | 10.5.0 | Published | Jan 13 | http://www.etsi.org/deliver/etsi_ts/123000_123099/123002/10.05.00_60/ |
| TTA | TTAT.3G-23.002(R10-10.4.0) | 10.4.0 | Approved | Aug 12 | http://www.tta.or.kr/data/ttasDown.jsp?where=14688&pk_num=TTAT.3G-23.002(R10-10.4.0) |
| TTC | TS-3GA-23.002(Rel10)v10.5.0 | 10.5.0 | Approved | Jun 13 | http://www.ttc.or.jp/j/document_list/free/3gpps2013/TS/TS-3GA-23.002(Rel10)v10.5.0.pdf |
| Release 11 | | | | | |
| CCSA | CCSA-TSD-DS-23.002 | 11.6.0 | Published | Jun 14 | http://www.ccsa.org.cn/english/tc/files.php?docpath=/ITU-R/M.1457/M.1457-12/DS |
| ETSI | ETSI TS 123 002 | 11.5.0 | Published | Jan 13 | http://www.etsi.org/deliver/etsi_ts/123000_123099/123002/11.05.00_60/ |
| TTA | TTAT.3G-23.002(R11-11.5.0) | 11.5.0 | published | Aug 13 | http://www.tta.or.kr/data/ttasDown.jsp?where=14688&pk_num=TTAT.3G-23.002(R11-11.5.0) |
| TTC | TS-3GA-23.002(Rel11)v11.5.0 | 11.5.0 | Approved | Jun 13 | http://www.ttc.or.jp/j/document_list/free/3gpps2013/TS/TS-3GA-23.002(Rel10)v10.5.0.pdf |

5.1.2.13.57 TS 23.032

Universal Geographical Area Description (GAD)

This document defines an intermediate universal Geographical Area Description which subscriber applications, GSM or UMTS services can use and the network can convert into an equivalent radio coverage map. For GSM or UMTS services which involve the use of an “area”, it can be assumed that in the majority of cases the Service Requester will be forbidden access to data on the radio coverage map of a particular PLMN and that the Service Requester will not have direct access to network entities (e.g. BSC/BTS or RNC/Node B). The interpretation by the PLMN operator of the geographical area in terms of cells actually used, cells that are partly within the given area and all other technical and quality of service aspects are out of the scope of this document. This specification also provides a description of velocity that may be associated with a universal Geographical Area Description when both are applied to a common entity at a common time.

| SDO (2) | Document No. | Version | Status | Issued date | Location (1) |
|-------------------|---------------------------|---------|-----------|-------------|---|
| Release 99 | | | | | |
| CCSA | CCSA-TSD-DS-23.032 | 3.2.1 | Published | Jun 12 | http://www.ccsa.org.cn/english/tc/files.php?docpath=/ITU-R/M.1457/M.1457-12/DS |
| ETSI | ETSI TS 123 032 | 3.2.1 | Published | Jan 03 | http://www.etsi.org/deliver/etsi_ts/123000_123099/123032/03.02.01_60/ |
| TTC | TS-3GA-23.032(R99)v3.2.1 | 3.2.1 | Approved | Feb 03 | http://www.ttc.or.jp/j/document_list/free/TS/TS-3GA-23.032(R99)v3.2.1.pdf |
| Release 4 | | | | | |
| CCSA | CCSA-TSD-DS-23.032 | 4.1.1 | Published | Jun 12 | http://www.ccsa.org.cn/english/tc/files.php?docpath=/ITU-R/M.1457/M.1457-12/DS |
| ETSI | ETSI TS 123 032 | 4.1.1 | Published | Jan 03 | http://www.etsi.org/deliver/etsi_ts/123000_123099/123032/04.01.01_60/ |
| TTC | TS-3GA-23.032(Rel4)v4.1.1 | 4.1.1 | Approved | Feb 03 | http://www.ttc.or.jp/j/document_list/free/TS/TS-3GA-23.032(Rel4)v4.1.1.pdf |
| Release 5 | | | | | |
| CCSA | CCSA-TSD-DS-23.032 | 5.0.0 | Published | Jun 12 | http://www.ccsa.org.cn/english/tc/files.php?docpath=/ITU-R/M.1457/M.1457-12/DS |
| ETSI | ETSI TS 123 032 | 5.0.0 | Published | Apr 03 | http://www.etsi.org/deliver/etsi_ts/123000_123099/123032/05.00.00_60/ |
| TTC | TS-3GA-23.032(Rel5)v5.0.0 | 5.0.0 | Approved | May 03 | http://www.ttc.or.jp/j/document_list/free/TS/TS-3GA-23.032(Rel5)v5.0.0.pdf |
| Release 6 | | | | | |
| CCSA | CCSA-TSD-DS-23.032 | 6.0.0 | Published | Jun 12 | http://www.ccsa.org.cn/english/tc/files.php?docpath=/ITU-R/M.1457/M.1457-12/DS |
| ETSI | ETSI TS 123 032 | 6.0.0 | Published | Jan 05 | http://www.etsi.org/deliver/etsi_ts/123000_123099/123032/06.00.00_60/ |
| TTC | TS-3GA-23.032(Rel6)v6.0.0 | 6.0.0 | Approved | Mar 05 | http://www.ttc.or.jp/j/document_list/free/TS/TS-3GA-23.032(Rel6)v6.0.0.pdf |
| Release 7 | | | | | |
| CCSA | CCSA-TSD-DS-23.032 | 7.0.0 | Published | Jun 12 | http://www.ccsa.org.cn/english/tc/files.php?docpath=/ITU-R/M.1457/M.1457-12/DS |

| | | | | | |
|-------------------|-----------------------------|--------|-----------|--------|---|
| ETSI | ETSI TS 123 032 | 7.0.0 | Published | Jun 07 | http://www.etsi.org/deliver/etsi_ts/123000_123099/123032/07.00.00_60/ |
| TTC | TS-3GA-23.032(Rel7)v7.0.0 | 7.0.0 | Approved | Mar 08 | http://www.ttc.or.jp/j/document_list/free/TS/TS-3GA-23.032(Rel7)v7.0.0.pdf |
| Release 8 | | | | | |
| CCSA | CCSA-TSD-DS-23.032 | 8.0.0 | Published | Jun 12 | http://www.ccsa.org.cn/english/tc/files.php?docpath=/ITU-R/M.1457/M.1457-12/DS |
| ETSI | ETSI TS 123 032 | 8.0.0 | Published | Jan 09 | http://www.etsi.org/deliver/etsi_ts/123000_123099/123032/08.00.00_60/ |
| TTC | TS-3GA-23.032(Rel8)v8.0.0 | 8.0.0 | Approved | Feb 09 | http://www.ttc.or.jp/j/document_list/free/3gpps2009/TS/TS-3GA-23.032(Rel8)v8.0.0.pdf |
| Release 9 | | | | | |
| CCSA | CCSA-TSD-DS-23.032 | 9.0.0 | Published | Jun 12 | http://www.ccsa.org.cn/english/tc/files.php?docpath=/ITU-R/M.1457/M.1457-12/DS |
| ETSI | ETSI TS 123 032 | 9.0.0 | Published | Jan 10 | http://www.etsi.org/deliver/etsi_ts/123000_123099/123032/09.00.00_60/ |
| TTC | TS-3GA-23.032(Rel9)v9.0.0 | 9.0.0 | Approved | Jul 10 | http://www.ttc.or.jp/j/document_list/free/3gpps2010/TS/TS-3GA-23.032(Rel9)v9.0.0.pdf |
| Release 10 | | | | | |
| CCSA | CCSA-TSD-DS-23.032 | 10.0.0 | Published | Jun 12 | http://www.ccsa.org.cn/english/tc/files.php?docpath=/ITU-R/M.1457/M.1457-12/DS |
| ETSI | ETSI TS 123 032 | 10.0.0 | Published | Mar 11 | http://www.etsi.org/deliver/etsi_ts/123000_123099/123032/10.00.00_60/ |
| TTA | TTAT.3G-23.032(R10-10.0.0) | 10.0.0 | Approved | Apr 12 | http://www.tta.or.kr/data/ttasDown.jsp?where=14688&pk_num=TTAT.3G-23.032(R10-10.0.0) |
| TTC | TS-3GA-23.032(Rel10)v10.0.0 | 10.0.0 | Approved | Jun 11 | http://www.ttc.or.jp/j/document_list/free/3gpps2011/TS/TS-3GA-23.032(Rel10)v10.0.0.pdf |
| Release 11 | | | | | |
| CCSA | CCSA-TSD-DS-23.032 | 11.0.0 | Published | Jun 14 | http://www.ccsa.org.cn/english/tc/files.php?docpath=/ITU-R/M.1457/M.1457-12/DS |
| ETSI | ETSI TS 123 032 | 11.0.0 | Published | Sep 12 | http://www.etsi.org/deliver/etsi_ts/123000_123099/123032/11.00.00_60/ |
| TTA | TTAT.3G-23.032(R11-11.0.0) | 11.0.0 | published | Aug 13 | http://www.tta.or.kr/data/ttasDown.jsp?where=14688&pk_num=TTAT.3G-23.032(R11-11.0.0) |
| TTC | TS-3GA-23.032(Rel11)v11.0.0 | 11.0.0 | Approved | Jun 13 | http://www.ttc.or.jp/j/document_list/free/3gpps2013/TS/TS-3GA-23.032(Rel11)v11.0.0.pdf |

5.1.2.13.58 TS 23.101

General Universal Mobile Telecommunications System (UMTS) architecture

This specification describes the basic physical and functional separation of UMTS. The content of this specification is limited to those features that are common to all UMTS networks independent of their origin. It identifies and names the reference points and functional groupings appearing at this level.

| SDO (2) | Document No. | Version | Status | Issued date | Location (1) |
|-------------------|---------------------------|---------|-----------|-------------|---|
| Release 99 | | | | | |
| CCSA | CCSA-TSD-DS-23.101 | 3.1.0 | Published | Feb 01 | http://www.ccsa.org.cn/english/tc/files.php?docpath=/ITU-R/M.1457/M.1457-12/DS |
| ETSI | ETSI TS 123 101 | 3.1.0 | Published | Feb 01 | http://www.etsi.org/deliver/etsi_ts/123100_123199/123101/03.01.00_60/ |
| TTC | JP-3GA-23.101(R99) | 3.1.0 | Approved | May 01 | http://www.ttc.or.jp/j/document_list/pdf/j/STD/JP-3GA-23.101(R99)v2.pdf |
| Release 4 | | | | | |
| CCSA | CCSA-TSD-DS-23.101 | 4.0.0 | Published | Apr 01 | http://www.ccsa.org.cn/english/tc/files.php?docpath=/ITU-R/M.1457/M.1457-12/DS |
| ETSI | ETSI TS 123 101 | 4.0.0 | Published | Apr 01 | http://www.etsi.org/deliver/etsi_ts/123100_123199/123101/04.00.00_60/ |
| TTC | TS-3GA-23.101(Rel4)v4.0.0 | 4.0.0 | Approved | May 01 | http://www.ttc.or.jp/j/document_list/free/TS/TS-3GA-23.101(Rel4)v4.0.0.pdf |
| Release 5 | | | | | |
| CCSA | CCSA-TSD-DS-23.101 | 5.0.1 | Published | Jan 04 | http://www.ccsa.org.cn/english/tc/files.php?docpath=/ITU-R/M.1457/M.1457-12/DS |
| ETSI | ETSI TS 123 101 | 5.0.1 | Published | Jan 04 | http://www.etsi.org/deliver/etsi_ts/123100_123199/123101/05.00.01_60/ |
| TTC | TS-3GA-23.101(Rel5)v5.0.1 | 5.0.1 | Approved | Mar 08 | http://www.ttc.or.jp/j/document_list/free/TS/TS-3GA-23.101(Rel5)v5.0.1.pdf |
| Release 6 | | | | | |
| CCSA | CCSA-TSD-DS-23.101 | 6.0.0 | Published | Jan 05 | http://www.ccsa.org.cn/english/tc/files.php?docpath=/ITU-R/M.1457/M.1457-12/DS |

| | | | | | |
|-------------------|-----------------------------|--------|-----------|--------|---|
| ETSI | ETSI TS 123 101 | 6.0.0 | Published | Jan 05 | http://www.etsi.org/deliver/etsi_ts/123100_123199/123101/06.00.00_60/ |
| TTC | TS-3GA-23.101(Rel6)v6.0.0 | 6.0.0 | Approved | Mar 08 | http://www.ttc.or.jp/j/document_list/free/TS/TS-3GA-23.101(Rel6)v6.0.0.pdf |
| Release 7 | | | | | |
| CCSA | CCSA-TSD-DS-23.101 | 7.0.0 | Published | Jun 07 | http://www.ccsa.org.cn/english/tc/files.php?docpath=/ITU-R/M.1457/M.1457-12/DS |
| ETSI | ETSI TS 123 101 | 7.0.0 | Published | Jun 07 | http://www.etsi.org/deliver/etsi_ts/123100_123199/123101/07.00.00_60/ |
| TTC | TS-3GA-23.101(Rel7)v7.0.0 | 7.0.0 | Approved | Mar 08 | http://www.ttc.or.jp/j/document_list/free/TS/TS-3GA-23.101(Rel7)v7.0.0.pdf |
| Release 8 | | | | | |
| CCSA | CCSA-TSD-DS-23.101 | 8.0.0 | Published | Jan 09 | http://www.ccsa.org.cn/english/tc/files.php?docpath=/ITU-R/M.1457/M.1457-12/DS |
| ETSI | ETSI TS 123 101 | 8.0.0 | Published | Jan 09 | http://www.etsi.org/deliver/etsi_ts/123100_123199/123101/08.00.00_60/ |
| TTA | TTAT.3G-23.101(R8-8.0.0) | 8.0.0 | Approved | Jul 09 | http://www.tta.or.kr/data/ttasDown.jsp?where=14688&pk_num=TTAT.3G-23.101(R8-8.0.0) |
| TTC | TS-3GA-23.101(Rel8)v8.0.0 | 8.0.0 | Approved | Feb 09 | http://www.ttc.or.jp/j/document_list/free/3gpps2009/TS/TS-3GA-23.101(Rel8)v8.0.0.pdf |
| Release 9 | | | | | |
| CCSA | CCSA-TSD-DS-23.101 | 9.0.0 | Published | Mar 10 | http://www.ccsa.org.cn/english/tc/files.php?docpath=/ITU-R/M.1457/M.1457-12/DS |
| ETSI | ETSI TS 123 101 | 9.0.0 | Published | Jan 10 | http://www.etsi.org/deliver/etsi_ts/123100_123199/123101/09.00.00_60/ |
| TTA | TTAT.3G-23.101(R9-9.0.0) | 9.0.0 | Approved | Jul 10 | http://www.tta.or.kr/data/ttasDown.jsp?where=14688&pk_num=TTAT.3G-23.101(R9-9.0.0) |
| TTC | TS-3GA-23.101(Rel9)v9.0.0 | 9.0.0 | Approved | Jul 10 | http://www.ttc.or.jp/j/document_list/free/3gpps2010/TS/TS-3GA-23.101(Rel9)v9.0.0.pdf |
| Release 10 | | | | | |
| CCSA | CCSA-TSD-DS-23.101 | 10.0.0 | Published | Jun 12 | http://www.ccsa.org.cn/english/tc/files.php?docpath=/ITU-R/M.1457/M.1457-12/DS |
| ETSI | ETSI TS 123 101 | 10.0.0 | Published | Mar 11 | http://www.etsi.org/deliver/etsi_ts/123100_123199/123101/10.00.00_60/ |
| TTA | TTAT.3G-23.101(R10-10.0.0) | 10.0.0 | Approved | Apr 12 | http://www.tta.or.kr/data/ttasDown.jsp?where=14688&pk_num=TTAT.3G-23.101(R10-10.0.0) |
| TTC | TS-3GA-23.101(Rel10)v10.0.0 | 10.0.0 | Approved | Jun 11 | http://www.ttc.or.jp/j/document_list/free/3gpps2011/TS/TS-3GA-23.101(Rel10)v10.0.0.pdf |
| Release 11 | | | | | |
| CCSA | CCSA-TSD-DS-23.101 | 11.0.0 | Published | Jun 14 | http://www.ccsa.org.cn/english/tc/files.php?docpath=/ITU-R/M.1457/M.1457-12/DS |
| ETSI | ETSI TS 123 101 | 11.0.0 | Published | Sep 12 | http://www.etsi.org/deliver/etsi_ts/123100_123199/123101/11.00.00_60/ |
| TTA | TTAT.3G-23.101(R11-11.0.0) | 11.0.0 | published | Aug 13 | http://www.tta.or.kr/data/ttasDown.jsp?where=14688&pk_num=TTAT.3G-23.101(R11-11.0.0) |
| TTC | TS-3GA-23.101(Rel11)v11.0.0 | 11.0.0 | Approved | Jun 13 | http://www.ttc.or.jp/j/document_list/free/3gpps2013/TS/TS-3GA-23.101(Rel11)v11.0.0.pdf |

5.1.2.13.59 TS 23.107

Quality of Service (QoS) concept and architecture

This specification describes the framework for QoS in UMTS. The document shall be used as a living document which will cover all issues related QoS in UMTS.

| SDO (2) | Document No. | Version | Status | Issued date | Location (1) |
|-------------------|---------------------|---------|-----------|-------------|---|
| Release 99 | | | | | |
| ARIB | ARIB STD-T63-23.107 | 3.9.0 | Approved | Jul 13 | http://www.arib.or.jp/english/html/overview/doc/STD-T63v10_00/2_T63/ARIB-STD-T63/R99/23/A23107-390.pdf |
| CCSA | CCSA-TSD-DS-23.107 | 3.9.0 | Published | Oct 02 | http://www.ccsa.org.cn/english/tc/files.php?docpath=/ITU-R/M.1457/M.1457-12/DS |
| ETSI | ETSI TS 123 107 | 3.9.0 | Published | Oct 02 | http://www.etsi.org/deliver/etsi_ts/123100_123199/123107/03.09.00_60/ |
| Release 4 | | | | | |
| ARIB | ARIB STD-T63-23.107 | 4.6.0 | Approved | Jul 13 | http://www.arib.or.jp/english/html/overview/doc/STD-T63v10_00/2_T63/ARIB-STD-T63/Rel4/23/A23107-460.pdf |
| CCSA | CCSA-TSD-DS-23.107 | 4.6.0 | Published | Jan 03 | http://www.ccsa.org.cn/english/tc/files.php?docpath=/ITU-R/M.1457/M.1457-12/DS |
| ETSI | ETSI TS 123 107 | 4.6.0 | Published | Jan 03 | http://www.etsi.org/deliver/etsi_ts/123100_123199/123107/04.06.00_60/ |
| Release 5 | | | | | |

| | | | | | |
|-------------------|----------------------------|--------|-----------|--------|---|
| ARIB | ARIB STD-T63-23.107 | 5.13.0 | Approved | Jul 13 | http://www.arib.or.jp/english/html/overview/doc/STD-T63v10_00/2_T63/ARIB-STD-T63/Rel5/23/A23107-5d0.pdf |
| CCSA | CCSA-TSD-DS-23.107 | 5.13.0 | Published | Jan 05 | http://www.ccsa.org.cn/english/tc/files.php?docpath=/ITU-R/M.1457/M.1457-12/DS |
| ETSI | ETSI TS 123 107 | 5.13.0 | Published | Jan 05 | http://www.etsi.org/deliver/etsi_ts/123100_123199/123107/05.13.00_60/ |
| Release 6 | | | | | |
| ARIB | ARIB STD-T63-23.107 | 6.4.0 | Approved | Jul 13 | http://www.arib.or.jp/english/html/overview/doc/STD-T63v10_00/2_T63/ARIB-STD-T63/Rel6/23/A23107-640.pdf |
| CCSA | CCSA-TSD-DS-23.107 | 6.4.0 | Published | May 06 | http://www.ccsa.org.cn/english/tc/files.php?docpath=/ITU-R/M.1457/M.1457-12/DS |
| ETSI | ETSI TS 123 107 | 6.4.0 | Published | May 06 | http://www.etsi.org/deliver/etsi_ts/123100_123199/123107/06.04.00_60/ |
| Release 7 | | | | | |
| ARIB | ARIB STD-T63-23.107 | 7.1.0 | Approved | Jul 13 | http://www.arib.or.jp/english/html/overview/doc/STD-T63v10_00/2_T63/ARIB-STD-T63/Rel7/23/A23107-710.pdf |
| CCSA | CCSA-TSD-DS-23.107 | 7.1.0 | Published | Oct 07 | http://www.ccsa.org.cn/english/tc/files.php?docpath=/ITU-R/M.1457/M.1457-12/DS |
| ETSI | ETSI TS 123 107 | 7.1.0 | Published | Oct 07 | http://www.etsi.org/deliver/etsi_ts/123100_123199/123107/07.01.00_60/ |
| Release 8 | | | | | |
| ARIB | ARIB STD-T63-23.107 | 8.2.0 | Approved | Jul 13 | http://www.arib.or.jp/english/html/overview/doc/STD-T63v10_00/2_T63/ARIB-STD-T63/Rel8/23/A23107-820.pdf |
| CCSA | CCSA-TSD-DS-23.107 | 8.2.0 | Published | Jun 12 | http://www.ccsa.org.cn/english/tc/files.php?docpath=/ITU-R/M.1457/M.1457-12/DS |
| ETSI | ETSI TS 123 107 | 8.2.0 | Published | Jan 12 | http://www.etsi.org/deliver/etsi_ts/123100_123199/123107/08.02.00_60/ |
| TTA | TTAT.3G-23.107(R8-8.0.0) | 8.0.0 | Approved | Jul 09 | http://www.tta.or.kr/data/ttasDown.jsp?where=14688&pk_num=TTAT.3G-23.107(R8-8.0.0) |
| Release 9 | | | | | |
| ARIB | ARIB STD-T63-23.107 | 9.3.0 | Approved | Jul 13 | http://www.arib.or.jp/english/html/overview/doc/STD-T63v10_00/2_T63/ARIB-STD-T63/Rel9/23/A23107-930.pdf |
| CCSA | CCSA-TSD-DS-23.107 | 9.3.0 | Published | Jun 12 | http://www.ccsa.org.cn/english/tc/files.php?docpath=/ITU-R/M.1457/M.1457-12/DS |
| ETSI | ETSI TS 123 107 | 9.3.0 | Published | Jan 12 | http://www.etsi.org/deliver/etsi_ts/123100_123199/123107/09.03.00_60/ |
| TTA | TTAT.3G-23.107(R9-9.0.0) | 9.0.0 | Approved | Jul 10 | http://www.tta.or.kr/data/ttasDown.jsp?where=14688&pk_num=TTAT.3G-23.107(R9-9.0.0) |
| Release 10 | | | | | |
| ARIB | ARIB STD-T63-23.107 | 10.2.0 | Approved | Jul 13 | http://www.arib.or.jp/english/html/overview/doc/STD-T63v10_00/2_T63/ARIB-STD-T63/Rel10/23/A23107-a20.pdf |
| CCSA | CCSA-TSD-DS-23.107 | 10.2.0 | Published | Jun 12 | http://www.ccsa.org.cn/english/tc/files.php?docpath=/ITU-R/M.1457/M.1457-12/DS |
| ETSI | ETSI TS 123 107 | 10.2.0 | Published | Jan 12 | http://www.etsi.org/deliver/etsi_ts/123100_123199/123107/10.02.00_60/ |
| TTA | TTAT.3G-23.107(R10-10.2.0) | 10.2.0 | Approved | Aug 12 | http://www.tta.or.kr/data/ttasDown.jsp?where=14688&pk_num=TTAT.3G-23.107(R10-10.2.0) |
| Release 11 | | | | | |
| ARIB | ARIB STD-T63-23.107 | 11.0.0 | Approved | Jul 13 | http://www.arib.or.jp/english/html/overview/doc/STD-T63v10_00/2_T63/ARIB-STD-T63/Rel11/23/A23107-b00.pdf |
| CCSA | CCSA-TSD-DS-23.107 | 11.0.0 | Published | Jun 14 | http://www.ccsa.org.cn/english/tc/files.php?docpath=/ITU-R/M.1457/M.1457-12/DS |
| ETSI | ETSI TS 123 107 | 11.0.0 | Published | Nov 12 | http://www.etsi.org/deliver/etsi_ts/123100_123199/123107/11.00.00_60/ |
| TTA | TTAT.3G-23.107(R11-11.0.0) | 11.0.0 | published | Aug 13 | http://www.tta.or.kr/data/ttasDown.jsp?where=14688&pk_num=TTAT.3G-23.107(R11-11.0.0) |

5.1.2.13.60 TS 23.121

Architectural requirements for Release 1999

This specification describes architectural requirements for release 1999 related to the evolution of the GSM platform towards UMTS with the overall goal of fulfilling the UMTS service requirements, support of roaming and support of new functionality, signalling systems and interfaces.

| SDO (2) | Document No. | Version | Status | Issued date | Location (1) |
|-------------------|--------------------|---------|-----------|-------------|---|
| Release 99 | | | | | |
| CCSA | CCSA-TSD-DS-23.121 | 3.6.0 | Published | Jun 02 | http://www.ccsa.org.cn/english/tc/files.php?docpath=/ITU-R/M.1457/M.1457-12/DS |
| ETSI | ETSI TS 123 121 | 3.6.0 | Published | Jun 02 | http://www.etsi.org/deliver/etsi_ts/123100_123199/123121/03.06.00_60/ |

| | | | | | |
|-----|---------------------------|-------|----------|--------|---|
| TTA | TTAE.3G-23.121(R99-3.6.0) | 3.6.0 | Approved | Jul 09 | http://www.tta.or.kr/data/ttasDown.jsp?where=14688&pk_num=TTAE.3G-23.121(R99-3.6.0) |
| TTC | TS-3GA-23.121(R99)v3.6.0 | 3.6.0 | Approved | Aug 02 | http://www.ttc.or.jp/j/document_list/free/TS/TS-3GA-23.121(R99)v3.6.0.pdf |

5.1.2.13.61 TS 23.141

Presence service; Architecture and functional description

This document describes the stage 2 description (architectural solution and functionalities) for the Presence Service, which includes the elements necessary to realize the stage 1 requirements in TS 22.141.

| SDO (2) | Document No. | Version | Status | Issued date | Location (1) |
|-------------------|-----------------------------|---------|-----------|-------------|---|
| Release 6 | | | | | |
| CCSA | CCSA-TSD-DS-23.141 | 6.10.0 | Published | Jun 12 | http://www.ccsa.org.cn/english/tc/files.php?docpath=/ITU-R/M.1457/M.1457-12/DS |
| ETSI | ETSI TS 123 141 | 6.10.0 | Published | Oct 07 | http://www.etsi.org/deliver/etsi_ts/123100_123199/123141/06.10.00_60/ |
| TTC | TS-3GA-23.141(Rel6)v6.10.0 | 6.10.0 | Approved | Mar 08 | http://www.ttc.or.jp/j/document_list/free/TS/TS-3GA-23.141(Rel6)v6.10.0.pdf |
| Release 7 | | | | | |
| CCSA | CCSA-TSD-DS-23.141 | 7.3.0 | Published | Jun 12 | http://www.ccsa.org.cn/english/tc/files.php?docpath=/ITU-R/M.1457/M.1457-12/DS |
| ETSI | ETSI TS 123 141 | 7.3.0 | Published | Oct 07 | http://www.etsi.org/deliver/etsi_ts/123100_123199/123141/07.03.00_60/ |
| TTC | TS-3GA-23.141(Rel7)v7.3.0 | 7.3.0 | Approved | Mar 08 | http://www.ttc.or.jp/j/document_list/free/TS/TS-3GA-23.141(Rel7)v7.3.0.pdf |
| Release 8 | | | | | |
| CCSA | CCSA-TSD-DS-23.141 | 8.1.0 | Published | Jun 12 | http://www.ccsa.org.cn/english/tc/files.php?docpath=/ITU-R/M.1457/M.1457-12/DS |
| ETSI | ETSI TS 123 141 | 8.1.0 | Published | Jan 09 | http://www.etsi.org/deliver/etsi_ts/123100_123199/123141/08.01.00_60/ |
| TTC | TS-3GA-23.141(Rel8)v8.1.0 | 8.1.0 | Approved | Feb 09 | http://www.ttc.or.jp/j/document_list/free/3gpps2009/TS/TS-3GA-23.141(Rel8)v8.1.0.pdf |
| Release 9 | | | | | |
| CCSA | CCSA-TSD-DS-23.141 | 9.0.0 | Published | Jun 12 | http://www.ccsa.org.cn/english/tc/files.php?docpath=/ITU-R/M.1457/M.1457-12/DS |
| ETSI | ETSI TS 123 141 | 9.0.0 | Published | Jan 10 | http://www.etsi.org/deliver/etsi_ts/123100_123199/123141/09.00.00_60/ |
| TTC | TS-3GA-23.141(Rel9)v9.0.0 | 9.0.0 | Approved | Jul 10 | http://www.ttc.or.jp/j/document_list/free/3gpps2010/TS/TS-3GA-23.141(Rel9)v9.0.0.pdf |
| Release 10 | | | | | |
| CCSA | CCSA-TSD-DS-23.141 | 10.0.0 | Published | Jun 12 | http://www.ccsa.org.cn/english/tc/files.php?docpath=/ITU-R/M.1457/M.1457-12/DS |
| ETSI | ETSI TS 123 141 | 10.0.0 | Published | Mar 11 | http://www.etsi.org/deliver/etsi_ts/123100_123199/123141/10.00.00_60/ |
| TTA | TTAT.3G-23.141(R10-10.0.0) | 10.0.0 | Approved | Apr 12 | http://www.tta.or.kr/data/ttasDown.jsp?where=14688&pk_num=TTAT.3G-23.141(R10-10.0.0) |
| TTC | TS-3GA-23.141(Rel10)v10.0.0 | 10.0.0 | Approved | Jun 11 | http://www.ttc.or.jp/j/document_list/free/3gpps2011/TS/TS-3GA-23.141(Rel10)v10.0.0.pdf |
| Release 11 | | | | | |
| CCSA | CCSA-TSD-DS-23.141 | 11.0.0 | Published | Jun 14 | http://www.ccsa.org.cn/english/tc/files.php?docpath=/ITU-R/M.1457/M.1457-12/DS |
| ETSI | ETSI TS 123 141 | 11.0.0 | Published | Sep 12 | http://www.etsi.org/deliver/etsi_ts/123100_123199/123141/11.00.00_60/ |
| TTA | TTAT.3G-23.141(R11-11.0.0) | 11.0.0 | published | Aug 13 | http://www.tta.or.kr/data/ttasDown.jsp?where=14688&pk_num=TTAT.3G-23.141(R11-11.0.0) |
| TTC | TS-3GA-23.141(Rel11)v11.0.0 | 11.0.0 | Approved | Jun 13 | http://www.ttc.or.jp/j/document_list/free/3gpps2013/TS/TS-3GA-23.141(Rel11)v11.0.0.pdf |

5.1.2.13.62 TS 23.167

IP Multimedia Subsystem (IMS) emergency sessions

This document defines the stage 2 service description for emergency services in the IP Multimedia Core Network Subsystem (IMS), including the elements

necessary to support IP Multimedia (IM) emergency services. This document covers also the Access Network aspects that are crucial for the provisioning of IMS emergency services. Other 3GPP specifications that are related to the IMS emergency services are TS 23.228 on IMS in general, including fixed broadband access aspects, TS 23.060 describing GPRS (UTRAN), TS 23.401, TS 23.060; TS 23.402 describing EPS (UTRAN and E-UTRAN); TS 23.234 describing 3GPP/WLAN Interworking; TS 23.271 that covers location services and TS 23.216 and TS 23.237 describing Single Radio Voice Call Continuity for IMS Emergency session. TS 25.301 contains an overall description of the UMTS Terrestrial Radio Access Network TS 36.300 contains an overall description of the Evolved Universal Terrestrial Radio Access (E-UTRA) and Evolved Universal Terrestrial Radio Access Network (E-UTRAN). Other non-3GPP specifications that are related to the IMS emergency services include 3GPP2 cdma2000 HRPD IP CAN, as specified in 3GPP2 X.S0060 when the UE is connected to a PDS core network and 3GPP2 X.S0057 A when the UE is connected to an EPC core network. The emergency support in different IP-CANs is described in the Informative Annex E.

| SDO (2) | Document No. | Version | Status | Issued date | Location (1) |
|-------------------|-----------------------------|---------|-----------|-------------|---|
| Release 7 | | | | | |
| CCSA | CCSA-TSD-DS-23.167 | 7.12.0 | Published | Jun 12 | http://www.ccsa.org.cn/english/tc/files.php?docpath=/ITU-R/M.1457/M.1457-12/DS |
| ETSI | ETSI TS 123 167 | 7.12.0 | Published | Jan 10 | http://www.etsi.org/deliver/etsi_ts/123100_123199/123167/07.12.00_60/ |
| TTC | TS-3GA-23.167(Rel7)v7.12.0 | 7.12.0 | Approved | Apr 10 | http://www.ttc.or.jp/jp/document_list/free/3gpps2010/TS/TS-3GA-23.167(Rel7)v7.12.0.pdf |
| Release 8 | | | | | |
| CCSA | CCSA-TSD-DS-23.167 | 8.5.0 | Published | Jun 12 | http://www.ccsa.org.cn/english/tc/files.php?docpath=/ITU-R/M.1457/M.1457-12/DS |
| ETSI | ETSI TS 123 167 | 8.5.0 | Published | Jan 10 | http://www.etsi.org/deliver/etsi_ts/123100_123199/123167/08.05.00_60/ |
| TTC | TS-3GA-23.167(Rel8)v8.5.0 | 8.5.0 | Approved | Apr 10 | http://www.ttc.or.jp/j/document_list/free/3gpps2010/TS/TS-3GA-23.167(Rel8)v8.5.0.pdf |
| Release 9 | | | | | |
| CCSA | CCSA-TSD-DS-23.167 | 9.8.0 | Published | Jun 12 | http://www.ccsa.org.cn/english/tc/files.php?docpath=/ITU-R/M.1457/M.1457-12/DS |
| ETSI | ETSI TS 123 167 | 9.10.0 | Published | Jan 13 | http://www.etsi.org/deliver/etsi_ts/123100_123199/123167/09.10.00_60/ |
| TTC | TS-3GA-23.167(Rel9)v9.10.0 | 9.10.0 | Approved | Jun 13 | http://www.ttc.or.jp/j/document_list/free/3gpps2013/TS/TS-3GA-23.167(Rel9)v9.10.0.pdf |
| Release 10 | | | | | |
| CCSA | CCSA-TSD-DS-23.167 | 10.5.0 | Published | Jun 12 | http://www.ccsa.org.cn/english/tc/files.php?docpath=/ITU-R/M.1457/M.1457-12/DS |
| ETSI | ETSI TS 123 167 | 10.7.0 | Published | Jan 13 | http://www.etsi.org/deliver/etsi_ts/123100_123199/123167/10.07.00_60/ |
| TTA | TTAT.3G-23.167(R10-10.5.0) | 10.5.0 | Approved | Aug 12 | http://www.tta.or.kr/data/ttasDown.jsp?where=14688&pk_num=TTAT.3G-23.167(R10-10.5.0) |
| TTC | TS-3GA-23.167(Rel10)v10.7.0 | 10.7.0 | Approved | Jun 13 | http://www.ttc.or.jp/jp/document_list/free/3gpps2013/TS/TS-3GA-23.167(Rel10)v10.7.0.pdf |
| Release 11 | | | | | |
| CCSA | CCSA-TSD-DS-23.167 | 11.11.0 | Published | Jun 14 | http://www.ccsa.org.cn/english/tc/files.php?docpath=/ITU-R/M.1457/M.1457-12/DS |
| ETSI | ETSI TS 123 167 | 11.6.0 | Published | Jan 13 | http://www.etsi.org/deliver/etsi_ts/123100_123199/123167/11.06.00_60/ |
| TTA | TTAT.3G-23.167(R11-11.6.0) | 11.6.0 | published | Aug 13 | http://www.tta.or.kr/data/ttasDown.jsp?where=14688&pk_num=TTAT.3G-23.167(R11-11.6.0) |
| TTC | TS-3GA-23.167(Rel11)v11.6.0 | 11.6.0 | Approved | Jun 13 | http://www.ttc.or.jp/jp/document_list/free/3gpps2013/TS/TS-3GA-23.167(Rel11)v11.6.0.pdf |

5.1.2.13.63 TS 23.171

Location Services (LCS); Functional description; Stage 2 (UMTS)

This document specifies the stage 2 of the Location Services (LCS) feature in UMTS, which provides the mechanisms to support mobile location services for operators, subscribers and third party service providers. Location Services may be considered as a network provided enabling technology consisting of

standardized service capabilities, which enable the provision of location applications. The application(s) may be service provider specific. The description of the numerous and varied possible location applications which are enabled by this technology are outside the scope of this document. However, clarifying examples of how the functionality being described may be used to provide specific location services may be included. This stage 2 service description covers the LCS system functional model for the whole system, the LCS system architecture, state descriptions, message flows, etc.

| SDO (2) | Document No. | Version | Status | Issued date | Location (1) |
|-------------------|---------------------|---------|-----------|-------------|---|
| Release 99 | | | | | |
| ARIB | ARIB STD-T63-23.171 | 3.11.0 | Approved | Jul 13 | http://www.arib.or.jp/english/html/overview/doc/STD-T63v10_00/2_T63/ARIB-STD-T63/R99/23/A23171-3b0.pdf |
| CCSA | CCSA-TSD-DS-23.171 | 3.11.0 | Published | Jun 12 | http://www.ccsa.org.cn/english/tc/files.php?docpath=/ITU-R/M.1457/M.1457-12/DS |
| ETSI | ETSI TS 123 171 | 3.11.0 | Published | Apr 04 | http://www.etsi.org/deliver/etsi_ts/123100_123199/123171/03.11.00_60/ |

5.1.2.13.64 TS 23.203

Policy and charging control architecture

This document specifies the overall stage 2 level functionality for Policy and Charging Control that encompasses the following high level functions for IP CANs (e.g. GPRS, I WLAN, Fixed Broadband, etc.): (i) Flow Based Charging, including charging control and online credit control; (ii) Policy control (e.g. gating control, QoS control, QoS signalling, etc.).

| SDO (2) | Document No. | Version | Status | Issued date | Location (1) |
|-------------------|----------------------------|---------|-----------|-------------|---|
| Release 7 | | | | | |
| ARIB | ARIB STD-T63-23.203 | 7.14.1 | Approved | Jul 13 | http://www.arib.or.jp/english/html/overview/doc/STD-T63v10_00/2_T63/ARIB-STD-T63/Rel7/23/A23203-7e1.pdf |
| CCSA | CCSA-TSD-DS-23.203 | 7.12.0 | Published | Jun 12 | http://www.ccsa.org.cn/english/tc/files.php?docpath=/ITU-R/M.1457/M.1457-12/DS |
| ETSI | ETSI TS 123 203 | 7.14.1 | Published | Jul 12 | http://www.etsi.org/deliver/etsi_ts/123200_123299/123203/07.14.01_60/ |
| Release 8 | | | | | |
| ARIB | ARIB STD-T63-23.203 | 8.14.0 | Approved | Jul 13 | http://www.arib.or.jp/english/html/overview/doc/STD-T63v10_00/2_T63/ARIB-STD-T63/Rel8/23/A23203-8e0.pdf |
| CCSA | CCSA-TSD-DS-23.203 | 8.12.0 | Published | Jun 12 | http://www.ccsa.org.cn/english/tc/files.php?docpath=/ITU-R/M.1457/M.1457-12/DS |
| ETSI | ETSI TS 123 203 | 8.14.0 | Published | Jul 12 | http://www.etsi.org/deliver/etsi_ts/123200_123299/123203/08.14.00_60/ |
| Release 9 | | | | | |
| ARIB | ARIB STD-T63-23.203 | 9.12.0 | Approved | Jul 13 | http://www.arib.or.jp/english/html/overview/doc/STD-T63v10_00/2_T63/ARIB-STD-T63/Rel9/23/A23203-9c0.pdf |
| CCSA | CCSA-TSD-DS-23.203 | 9.10.0 | Published | Jun 12 | http://www.ccsa.org.cn/english/tc/files.php?docpath=/ITU-R/M.1457/M.1457-12/DS |
| ETSI | ETSI TS 123 203 | 9.12.0 | Published | Jul 12 | http://www.etsi.org/deliver/etsi_ts/123200_123299/123203/09.12.00_60/ |
| Release 10 | | | | | |
| ARIB | ARIB STD-T63-23.203 | 10.8.0 | Approved | Jul 13 | http://www.arib.or.jp/english/html/overview/doc/STD-T63v10_00/2_T63/ARIB-STD-T63/Rel10/23/A23203-a80.pdf |
| CCSA | CCSA-TSD-DS-23.203 | 10.5.0 | Published | Jun 12 | http://www.ccsa.org.cn/english/tc/files.php?docpath=/ITU-R/M.1457/M.1457-12/DS |
| ETSI | ETSI TS 123 203 | 10.8.0 | Published | Nov 12 | http://www.etsi.org/deliver/etsi_ts/123200_123299/123203/10.08.00_60/ |
| TTA | TTAT.3G-23.203(R10-10.6.0) | 10.6.0 | Approved | Aug 12 | http://www.tta.or.kr/data/ttasDown.jsp?where=14688&pk_num=TTAT.3G-23.203(R10-10.6.0) |
| Release 11 | | | | | |
| ARIB | ARIB STD-T63-23.203 | 11.9.0 | Approved | Jul 13 | http://www.arib.or.jp/english/html/overview/doc/STD-T63v10_00/2_T63/ARIB-STD-T63/Rel11/23/A23203-b90.pdf |
| CCSA | CCSA-TSD-DS-23.203 | 11.14.0 | Published | Jun 14 | http://www.ccsa.org.cn/english/tc/files.php?docpath=/ITU-R/M.1457/M.1457-12/DS |
| ETSI | ETSI TS 123 203 | 11.9.0 | Published | Apr 13 | http://www.etsi.org/deliver/etsi_ts/123200_123299/123203/11.09.00_60/ |
| TTA | TTAT.3G-23.203(R11-11.9.0) | 11.9.0 | published | Aug 13 | http://www.tta.or.kr/data/ttasDown.jsp?where=14688&pk_num=TTAT.3G-23.203(R11-11.9.0) |

5.1.2.13.65 TS 23.204**Support of Short Message Service (SMS) over generic 3GPP Internet Protocol (IP) access; Stage 2**

This document specifies the new capabilities and enhancements needed to support SMS over a generic IP Connectivity Access Network (IP-CAN) using IMS capabilities (TS 23.228).

| SDO (2) | Document No. | Version | Status | Issued date | Location (1) |
|-------------------|----------------------------|---------|-----------|-------------|---|
| Release 7 | | | | | |
| ARIB | ARIB STD-T63-23.204 | 7.6.0 | Approved | Jul 13 | http://www.arib.or.jp/english/html/overview/doc/STD-T63v10_00/2_T63/ARIB-STD-T63/Rel7/23/A23204-760.pdf |
| CCSA | CCSA-TSD-DS-23.204 | 7.6.0 | Published | Jun 12 | http://www.ccsa.org.cn/english/tc/files.php?docpath=/ITU-R/M.1457/M.1457-12/DS |
| ETSI | ETSI TS 123 204 | 7.6.0 | Published | Mar 09 | http://www.etsi.org/deliver/etsi_ts/123200_123299/123204/07.06.00_60/ |
| Release 8 | | | | | |
| ARIB | ARIB STD-T63-23.204 | 8.5.0 | Approved | Jul 13 | http://www.arib.or.jp/english/html/overview/doc/STD-T63v10_00/2_T63/ARIB-STD-T63/Rel8/23/A23204-850.pdf |
| CCSA | CCSA-TSD-DS-23.204 | 8.5.0 | Published | Jun 12 | http://www.ccsa.org.cn/english/tc/files.php?docpath=/ITU-R/M.1457/M.1457-12/DS |
| ETSI | ETSI TS 123 204 | 8.5.0 | Published | Mar 10 | http://www.etsi.org/deliver/etsi_ts/123200_123299/123204/08.05.00_60/ |
| Release 9 | | | | | |
| ARIB | ARIB STD-T63-23.204 | 9.1.0 | Approved | Jul 13 | http://www.arib.or.jp/english/html/overview/doc/STD-T63v10_00/2_T63/ARIB-STD-T63/Rel9/23/A23204-910.pdf |
| CCSA | CCSA-TSD-DS-23.204 | 9.1.0 | Published | Jun 12 | http://www.ccsa.org.cn/english/tc/files.php?docpath=/ITU-R/M.1457/M.1457-12/DS |
| ETSI | ETSI TS 123 204 | 9.1.0 | Published | Mar 10 | http://www.etsi.org/deliver/etsi_ts/123200_123299/123204/09.01.00_60/ |
| Release 10 | | | | | |
| ARIB | ARIB STD-T63-23.204 | 10.2.0 | Approved | Jul 13 | http://www.arib.or.jp/english/html/overview/doc/STD-T63v10_00/2_T63/ARIB-STD-T63/Rel10/23/A23204-a20.pdf |
| CCSA | CCSA-TSD-DS-23.204 | 10.2.0 | Published | Jun 12 | http://www.ccsa.org.cn/english/tc/files.php?docpath=/ITU-R/M.1457/M.1457-12/DS |
| ETSI | ETSI TS 123 204 | 10.2.0 | Published | Apr 11 | http://www.etsi.org/deliver/etsi_ts/123200_123299/123204/10.02.00_60/ |
| TTA | TTAT.3G-23.204(R10-10.2.0) | 10.2.0 | Approved | Apr 12 | http://www.tta.or.kr/data/ttasDown.jsp?where=14688&pk_num=TTAT.3G-23.204(R10-10.2.0) |
| Release 11 | | | | | |
| ARIB | ARIB STD-T63-23.204 | 11.3.0 | Approved | Jul 13 | http://www.arib.or.jp/english/html/overview/doc/STD-T63v10_00/2_T63/ARIB-STD-T63/Rel11/23/A23204-b30.pdf |
| CCSA | CCSA-TSD-DS-23.204 | 11.5.0 | Published | Jun 14 | http://www.ccsa.org.cn/english/tc/files.php?docpath=/ITU-R/M.1457/M.1457-12/DS |
| ETSI | ETSI TS 123 204 | 11.3.0 | Published | Jan 13 | http://www.etsi.org/deliver/etsi_ts/123200_123299/123204/11.03.00_60/ |
| TTA | TTAT.3G-23.204(R11-11.3.0) | 11.3.0 | published | Aug 13 | http://www.tta.or.kr/data/ttasDown.jsp?where=14688&pk_num=TTAT.3G-23.204(R11-11.3.0) |

5.1.2.13.66 TS 23.207**End-to-end Quality of Service (QoS) concept and architecture**

This document provides the framework for end-to-end Quality of Service involving GPRS and complements TS 23.107 which describes the framework for Quality of Service within UMTS. The document describes the interaction between the TE/MT Local Bearer Service, the GPRS Bearer Service, and the External Bearer Service, and how these together provide Quality of Service for the End-to-End Service. The document also describes IP level mechanisms necessary in providing end-to-end Quality of Service involving GPRS networks, including possible interaction between the IP level and the GPRS level, as well as the application level and the IP level.

| SDO (2) | Document No. | Version | Status | Issued date | Location (1) |
|-------------------|----------------------------|---------|-----------|-------------|---|
| Release 5 | | | | | |
| ARIB | ARIB STD-T63-23.207 | 5.10.0 | Approved | Jul 13 | http://www.arib.or.jp/english/html/overview/doc/STD-T63v10_00/2_T63/ARIB-STD-T63/Rel5/23/A23207-5a0.pdf |
| CCSA | CCSA-TSD-DS-23.207 | 5.10.0 | Published | Jun 12 | http://www.ccsa.org.cn/english/tc/files.php?docpath=/ITU-R/M.1457/M.1457-12/DS |
| ETSI | ETSI TS 123 207 | 5.10.0 | Published | Oct 05 | http://www.etsi.org/deliver/etsi_ts/123200_123299/123207/05.10.00_60/ |
| Release 6 | | | | | |
| ARIB | ARIB STD-T63-23.207 | 6.6.0 | Approved | Jul 13 | http://www.arib.or.jp/english/html/overview/doc/STD-T63v10_00/2_T63/ARIB-STD-T63/Rel6/23/A23207-660.pdf |
| CCSA | CCSA-TSD-DS-23.207 | 6.6.0 | Published | Jun 12 | http://www.ccsa.org.cn/english/tc/files.php?docpath=/ITU-R/M.1457/M.1457-12/DS |
| ETSI | ETSI TS 123 207 | 6.6.0 | Published | Oct 05 | http://www.etsi.org/deliver/etsi_ts/123200_123299/123207/06.06.00_60/ |
| Release 7 | | | | | |
| ARIB | ARIB STD-T63-23.207 | 7.0.0 | Approved | Jul 13 | http://www.arib.or.jp/english/html/overview/doc/STD-T63v10_00/2_T63/ARIB-STD-T63/Rel7/23/A23207-700.pdf |
| CCSA | CCSA-TSD-DS-23.207 | 7.0.0 | Published | Jun 12 | http://www.ccsa.org.cn/english/tc/files.php?docpath=/ITU-R/M.1457/M.1457-12/DS |
| ETSI | ETSI TS 123 207 | 7.0.0 | Published | Jun 07 | http://www.etsi.org/deliver/etsi_ts/123200_123299/123207/07.00.00_60/ |
| Release 8 | | | | | |
| ARIB | ARIB STD-T63-23.207 | 8.0.0 | Approved | Jul 13 | http://www.arib.or.jp/english/html/overview/doc/STD-T63v10_00/2_T63/ARIB-STD-T63/Rel8/23/A23207-800.pdf |
| CCSA | CCSA-TSD-DS-23.207 | 8.0.0 | Published | Jun 12 | http://www.ccsa.org.cn/english/tc/files.php?docpath=/ITU-R/M.1457/M.1457-12/DS |
| ETSI | ETSI TS 123 207 | 8.0.0 | Published | Jan 09 | http://www.etsi.org/deliver/etsi_ts/123200_123299/123207/08.00.00_60/ |
| Release 9 | | | | | |
| ARIB | ARIB STD-T63-23.207 | 9.0.0 | Approved | Jul 13 | http://www.arib.or.jp/english/html/overview/doc/STD-T63v10_00/2_T63/ARIB-STD-T63/Rel9/23/A23207-900.pdf |
| CCSA | CCSA-TSD-DS-23.207 | 9.0.0 | Published | Jun 12 | http://www.ccsa.org.cn/english/tc/files.php?docpath=/ITU-R/M.1457/M.1457-12/DS |
| ETSI | ETSI TS 123 207 | 9.0.0 | Published | Jan 10 | http://www.etsi.org/deliver/etsi_ts/123200_123299/123207/09.00.00_60/ |
| Release 10 | | | | | |
| ARIB | ARIB STD-T63-23.207 | 10.0.0 | Approved | Jul 13 | http://www.arib.or.jp/english/html/overview/doc/STD-T63v10_00/2_T63/ARIB-STD-T63/Rel10/23/A23207-a00.pdf |
| CCSA | CCSA-TSD-DS-23.207 | 10.0.0 | Published | Jun 12 | http://www.ccsa.org.cn/english/tc/files.php?docpath=/ITU-R/M.1457/M.1457-12/DS |
| ETSI | ETSI TS 123 207 | 10.0.0 | Published | Mar 11 | http://www.etsi.org/deliver/etsi_ts/123200_123299/123207/10.00.00_60/ |
| TTA | TTAT.3G-23.207(R10-10.0.0) | 10.0.0 | Approved | Apr 12 | http://www.tta.or.kr/data/ttasDown.jsp?where=14688&pk_num=TTAT.3G-23.207(R10-10.0.0) |
| Release 11 | | | | | |
| ARIB | ARIB STD-T63-23.207 | 11.0.0 | Approved | Jul 13 | http://www.arib.or.jp/english/html/overview/doc/STD-T63v10_00/2_T63/ARIB-STD-T63/Rel11/23/A23207-b00.pdf |
| CCSA | CCSA-TSD-DS-23.207 | 11.0.0 | Published | Jun 14 | http://www.ccsa.org.cn/english/tc/files.php?docpath=/ITU-R/M.1457/M.1457-12/DS |
| ETSI | ETSI TS 123 207 | 11.0.0 | Published | Nov 12 | http://www.etsi.org/deliver/etsi_ts/123200_123299/123207/11.00.00_60/ |
| TTA | TTAT.3G-23.207(R11-11.0.0) | 11.0.0 | published | Aug 13 | http://www.tta.or.kr/data/ttasDown.jsp?where=14688&pk_num=TTAT.3G-23.207(R11-11.0.0) |

5.1.2.13.67 TS 23.216

Single Radio Voice Call Continuity (SRVCC); Stage 2

This Technical Specification specifies the architecture enhancements for Single Radio Voice Call Continuity (SRVCC) between E-UTRAN access and 3GPP2Æs 1xCS, and between E-UTRAN access and 3GPPÆs UTRAN/GERAN accesses and between UTRAN (HSPA) access and 3GPPÆs UTRAN/GERAN accesses, for Circuit Switched (CS) calls that are anchored in the IMS.

| SDO (2) | Document No. | Version | Status | Issued date | Location (1) |
|------------------|--------------------|---------|-----------|-------------|---|
| Release 8 | | | | | |
| CCSA | CCSA-TSD-DS-23.216 | 8.7.0 | Published | Jun 12 | http://www.ccsa.org.cn/english/tc/files.php?docpath=/ITU-R/M.1457/M.1457-12/DS |
| ETSI | ETSI TS 123 216 | 8.8.0 | Published | Mar 12 | http://www.etsi.org/deliver/etsi_ts/123200_123299/123216/08.08.00_60/ |

| | | | | | |
|-------------------|-----------------------------|---------|-----------|--------|---|
| TTA | TTAT.3G-23.216(R8-8.3.0) | 8.3.0 | Approved | Jul 09 | http://www.tta.or.kr/data/ttasDown.jsp?where=14688&pk_num=TTAT.3G-23.216(R8-8.3.0) |
| TTC | TS-3GA-23.216(Rel8)v8.8.0 | 8.8.0 | Approved | Jun 12 | http://www.ttc.or.jp/j/document_list/free/3gpps2012/TS/TS-3GA-23.216(Rel8)v8.8.0.pdf |
| Release 9 | | | | | |
| CCSA | CCSA-TSD-DS-23.216 | 9.8.0 | Published | Jun 12 | http://www.ccsa.org.cn/english/tc/files.php?docpath=/ITU-R/M.1457/M.1457-12/DS |
| ETSI | ETSI TS 123 216 | 9.9.0 | Published | Mar 12 | http://www.etsi.org/deliver/etsi_ts/123200_123299/123216/09.09.00_60/ |
| TTA | TTAT.3G-23.216(R9-9.3.0) | 9.3.0 | Approved | Jul 10 | http://www.tta.or.kr/data/ttasDown.jsp?where=14688&pk_num=TTAT.3G-23.216(R9-9.3.0) |
| TTC | TS-3GA-23.216(Rel9)v9.9.0 | 9.9.0 | Approved | Jun 12 | http://www.ttc.or.jp/j/document_list/free/3gpps2012/TS/TS-3GA-23.216(Rel9)v9.9.0.pdf |
| Release 10 | | | | | |
| CCSA | CCSA-TSD-DS-23.216 | 10.2.0 | Published | Jun 12 | http://www.ccsa.org.cn/english/tc/files.php?docpath=/ITU-R/M.1457/M.1457-12/DS |
| ETSI | ETSI TS 123 216 | 10.5.0 | Published | Jan 13 | http://www.etsi.org/deliver/etsi_ts/123200_123299/123216/10.05.00_60/ |
| TTA | TTAT.3G-23.216(R10-10.3.0) | 10.3.0 | Approved | Aug 12 | http://www.tta.or.kr/data/ttasDown.jsp?where=14688&pk_num=TTAT.3G-23.216(R10-10.3.0) |
| TTC | TS-3GA-23.216(Rel10)v10.5.0 | 10.5.0 | Approved | Jun 13 | http://www.ttc.or.jp/j/document_list/free/3gpps2013/TS/TS-3GA-23.216(Rel10)v10.5.0.pdf |
| Release 11 | | | | | |
| CCSA | CCSA-TSD-DS-23.216 | 11.11.0 | Published | Jun 14 | http://www.ccsa.org.cn/english/tc/files.php?docpath=/ITU-R/M.1457/M.1457-12/DS |
| ETSI | ETSI TS 123 216 | 11.8.0 | Published | Apr 13 | http://www.etsi.org/deliver/etsi_ts/123200_123299/123216/11.08.00_60/ |
| TTA | TTAT.3G-23.216(R11-11.8.0) | 11.8.0 | published | Aug 13 | http://www.tta.or.kr/data/ttasDown.jsp?where=14688&pk_num=TTAT.3G-23.216(R11-11.8.0) |
| TTC | TS-3GA-23.216(Rel11)v11.8.0 | 11.8.0 | Approved | Jun 13 | http://www.ttc.or.jp/j/document_list/free/3gpps2013/TS/TS-3GA-23.216(Rel11)v11.8.0.pdf |

5.1.2.13.68 TS 23.221

Architectural requirements

This document covers the architectural requirements for 3GPP systems based on UTRAN, E-UTRAN and Iu mode GERAN. In particular it details the high level requirements for the Circuit Switched (CS) Domain and the stage 2 procedures that span more than one domain/subsystem. The reference model to which these procedures apply can be found within TS 23.002. In addition, A mode to Iu mode handover for CS services is addressed. Detailed architectural requirements within the subsystems are contained within the remainder of the 23 series of specifications e.g. the requirements for the Packet Switched (PS) domain are contained within TS 23.060, TS 23.401 and the requirements for the Bearer Independent CS Core Network are contained in TS 23.205.

| SDO (2) | Document No. | Version | Status | Issued date | Location (1) |
|------------------|----------------------------|---------|-----------|-------------|---|
| Release 4 | | | | | |
| CCSA | CCSA-TSD-DS-23.221 | 4.2.0 | Published | Jun 12 | http://www.ccsa.org.cn/english/tc/files.php?docpath=/ITU-R/M.1457/M.1457-12/DS |
| ETSI | ETSI TS 123 221 | 4.2.0 | Published | Jun 02 | http://www.etsi.org/deliver/etsi_ts/123200_123299/123221/04.02.00_60/ |
| TTC | TS-3GA-23.221(Rel4)v4.2.0 | 4.2.0 | Approved | Aug 02 | http://www.ttc.or.jp/j/document_list/free/TS/TS-3GA-23.221(Rel4)v4.2.0.pdf |
| Release 5 | | | | | |
| CCSA | CCSA-TSD-DS-23.221 | 5.11.0 | Published | Jun 12 | http://www.ccsa.org.cn/english/tc/files.php?docpath=/ITU-R/M.1457/M.1457-12/DS |
| ETSI | ETSI TS 123 221 | 5.11.0 | Published | Oct 04 | http://www.etsi.org/deliver/etsi_ts/123200_123299/123221/05.11.00_60/ |
| TTC | TS-3GA-23.221(Rel5)v5.11.0 | 5.11.0 | Approved | Nov 04 | http://www.ttc.or.jp/j/document_list/free/TS/TS-3GA-23.221(Rel5)v5.11.0.pdf |
| Release 6 | | | | | |
| CCSA | CCSA-TSD-DS-23.221 | 6.3.0 | Published | Jun 12 | http://www.ccsa.org.cn/english/tc/files.php?docpath=/ITU-R/M.1457/M.1457-12/DS |
| ETSI | ETSI TS 123 221 | 6.3.0 | Published | Jan 05 | http://www.etsi.org/deliver/etsi_ts/123200_123299/123221/06.03.00_60/ |
| TTC | TS-3GA-23.221(Rel6)v6.3.0 | 6.3.0 | Approved | Mar 05 | http://www.ttc.or.jp/j/document_list/free/TS/TS-3GA-23.221(Rel6)v6.3.0.pdf |
| Release 7 | | | | | |

| | | | | | |
|-------------------|-----------------------------|--------|-----------|--------|---|
| CCSA | CCSA-TSD-DS-23.221 | 7.2.0 | Published | Jun 12 | http://www.ccsa.org.cn/english/tc/files.php?docpath=/ITU-R/M.1457/M.1457-12/DS |
| ETSI | ETSI TS 123 221 | 7.2.0 | Published | Jan 08 | http://www.etsi.org/deliver/etsi_ts/123200_123299/123221/07.02.00_60/ |
| TTC | TS-3GA-23.221(Rel7)v7.2.0 | 7.2.0 | Approved | Feb 09 | http://www.ttc.or.jp/j/document_list/free/3gpps2009/TS/TS-3GA-23.221(Rel7)v7.2.0.pdf |
| Release 8 | | | | | |
| CCSA | CCSA-TSD-DS-23.221 | 8.8.0 | Published | Jun 12 | http://www.ccsa.org.cn/english/tc/files.php?docpath=/ITU-R/M.1457/M.1457-12/DS |
| ETSI | ETSI TS 123 221 | 8.9.0 | Published | Jan 13 | http://www.etsi.org/deliver/etsi_ts/123200_123299/123221/08.09.00_60/ |
| TTC | TS-3GA-23.221(Rel8)v8.9.0 | 8.9.0 | Approved | Jun 13 | http://www.ttc.or.jp/j/document_list/free/3gpps2013/TS/TS-3GA-23.221(Rel8)v8.9.0.pdf |
| Release 9 | | | | | |
| CCSA | CCSA-TSD-DS-23.221 | 9.4.0 | Published | Jun 12 | http://www.ccsa.org.cn/english/tc/files.php?docpath=/ITU-R/M.1457/M.1457-12/DS |
| ETSI | ETSI TS 123 221 | 9.5.0 | Published | Jan 13 | http://www.etsi.org/deliver/etsi_ts/123200_123299/123221/09.05.00_60/ |
| TTC | TS-3GA-23.221(Rel9)v9.5.0 | 9.5.0 | Approved | Jun 13 | http://www.ttc.or.jp/j/document_list/free/3gpps2013/TS/TS-3GA-23.221(Rel9)v9.5.0.pdf |
| Release 10 | | | | | |
| CCSA | CCSA-TSD-DS-23.221 | 10.1.0 | Published | Jun 12 | http://www.ccsa.org.cn/english/tc/files.php?docpath=/ITU-R/M.1457/M.1457-12/DS |
| ETSI | ETSI TS 123 221 | 10.2.0 | Published | Jan 13 | http://www.etsi.org/deliver/etsi_ts/123200_123299/123221/10.02.00_60/ |
| TTA | TTAT.3G-23.221(R10-10.1.0) | 10.1.0 | Approved | Aug 12 | http://www.tta.or.kr/data/ttasDown.jsp?where=14688&pk_num=TTAT.3G-23.221(R10-10.1.0) |
| TTC | TS-3GA-23.221(Rel10)v10.2.0 | 10.2.0 | Approved | Jun 13 | http://www.ttc.or.jp/j/document_list/free/3gpps2013/TS/TS-3GA-23.221(Rel10)v10.2.0.pdf |
| Release 11 | | | | | |
| CCSA | CCSA-TSD-DS-23.221 | 11.3.0 | Published | Jun 12 | http://www.ccsa.org.cn/english/tc/files.php?docpath=/ITU-R/M.1457/M.1457-12/DS |
| ETSI | ETSI TS 123 221 | 11.1.0 | Published | Jan 13 | http://www.etsi.org/deliver/etsi_ts/123200_123299/123221/11.01.00_60/ |
| TTA | TTAT.3G-23.221(R11-11.1.0) | 11.1.0 | published | Aug 13 | http://www.tta.or.kr/data/ttasDown.jsp?where=14688&pk_num=TTAT.3G-23.221(R11-11.1.0) |
| TTC | TS-3GA-23.221(Rel11)v11.1.0 | 11.1.0 | Approved | Jun 13 | http://www.ttc.or.jp/j/document_list/free/3gpps2013/TS/TS-3GA-23.221(Rel11)v11.1.0.pdf |

5.1.2.13.69 TS 23.226

Global text telephony (GTT); Stage 2

This 3GPP Technical Specification defines the stage 2 description of the real time Text Conversation Feature called Global Text Telephony, GTT. GTT Stage 2 identifies the functional capabilities needed to support the service described in GTT Stage 1. This TS contains the core functions for a real time Text Conversation Feature GTT, to be used in combination with other media in conversational services. GTT offers real time conversation in text, to be used alone or in combination with other conversational media, and interworking with current and emerging text conversation features in the fixed networks and other mobile networks. GTT uses a number of functional entities to realize the requirements of the stage 1 description (TS 22.226). This TS describes how the service requirements are realized with these functional entities. As far as possible existing protocols shall be used for the realization of the Global Text Telephony Feature. This may include e.g. SIP, 3G.324, or Circuit Switched Voice service as protocol environments, and CTM, AL1 and RTP/text as transmission protocols. It also means usage of existing text presentation format ITU-T Recommendation T.140, common to all GTT text conversation environments.

| SDO (2) | Document No. | Version | Status | Issued date | Location (1) |
|------------------|---------------------------|---------|-----------|-------------|---|
| Release 5 | | | | | |
| CCSA | CCSA-TSD-DS-23.226 | 5.2.0 | Published | Jun 12 | http://www.ccsa.org.cn/english/tc/files.php?docpath=/ITU-R/M.1457/M.1457-12/DS |
| ETSI | ETSI TS 123 226 | 5.2.0 | Published | Apr 02 | http://www.etsi.org/deliver/etsi_ts/123200_123299/123226/05.02.00_60/ |
| TTC | TS-3GA-23.226(Rel5)v5.2.0 | 5.2.0 | Approved | May 02 | http://www.ttc.or.jp/j/document_list/free/TS/TS-3GA-23.226(Rel5)v5.2.0.pdf |

Release 6

| | | | | | |
|------|---------------------------|-------|-----------|--------|---|
| CCSA | CCSA-TSD-DS-23.226 | 6.0.0 | Published | Jun 12 | http://www.ccsa.org.cn/english/tc/files.php?docpath=/ITU-R/M.1457/M.1457-12/DS |
| ETSI | ETSI TS 123 226 | 6.0.0 | Published | Jan 05 | http://www.etsi.org/deliver/etsi_ts/123200_123299/123226/06.00.00_60/ |
| TTC | TS-3GA-23.226(Rel6)v6.0.0 | 6.0.0 | Approved | Mar 05 | http://www.ttc.or.jp/j/document_list/free/TS/TS-3GA-23.226(Rel6)v6.0.0.pdf |

Release 7

| | | | | | |
|------|---------------------------|-------|-----------|--------|---|
| CCSA | CCSA-TSD-DS-23.226 | 7.0.0 | Published | Jun 12 | http://www.ccsa.org.cn/english/tc/files.php?docpath=/ITU-R/M.1457/M.1457-12/DS |
| ETSI | ETSI TS 123 226 | 7.0.0 | Published | Jul 07 | http://www.etsi.org/deliver/etsi_ts/123200_123299/123226/07.00.00_60/ |
| TTC | TS-3GA-23.226(Rel7)v7.0.0 | 7.0.0 | Approved | Mar 08 | http://www.ttc.or.jp/j/document_list/free/TS/TS-3GA-23.226(Rel7)v7.0.0.pdf |

Release 8

| | | | | | |
|------|---------------------------|-------|-----------|--------|---|
| CCSA | CCSA-TSD-DS-23.226 | 8.0.0 | Published | Jun 12 | http://www.ccsa.org.cn/english/tc/files.php?docpath=/ITU-R/M.1457/M.1457-12/DS |
| ETSI | ETSI TS 123 226 | 8.0.0 | Published | Jan 09 | http://www.etsi.org/deliver/etsi_ts/123200_123299/123226/08.00.00_60/ |
| TTC | TS-3GA-23.226(Rel8)v8.0.0 | 8.0.0 | Approved | Feb 09 | http://www.ttc.or.jp/j/document_list/free/3gpps2009/TS/TS-3GA-23.226(Rel8)v8.0.0.pdf |

Release 9

| | | | | | |
|------|---------------------------|-------|-----------|--------|---|
| CCSA | CCSA-TSD-DS-23.226 | 9.0.0 | Published | Jun 12 | http://www.ccsa.org.cn/english/tc/files.php?docpath=/ITU-R/M.1457/M.1457-12/DS |
| ETSI | ETSI TS 123 226 | 9.0.0 | Published | Jan 10 | http://www.etsi.org/deliver/etsi_ts/123200_123299/123226/09.00.00_60/ |
| TTC | TS-3GA-23.226(Rel9)v9.0.0 | 9.0.0 | Approved | Jul 10 | http://www.ttc.or.jp/j/document_list/free/3gpps2010/TS/TS-3GA-23.226(Rel9)v9.0.0.pdf |

Release 10

| | | | | | |
|------|-----------------------------|--------|-----------|--------|---|
| CCSA | CCSA-TSD-DS-23.226 | 10.0.0 | Published | Jun 12 | http://www.ccsa.org.cn/english/tc/files.php?docpath=/ITU-R/M.1457/M.1457-12/DS |
| ETSI | ETSI TS 123 226 | 10.0.0 | Published | Mar 11 | http://www.etsi.org/deliver/etsi_ts/123200_123299/123226/10.00.00_60/ |
| TTA | TTAT.3G-23.226(R10-10.0.0) | 10.0.0 | Approved | Apr 12 | http://www.tta.or.kr/data/ttasDown.jsp?where=14688&pk_num=TTAT.3G-23.226(R10-10.0.0) |
| TTC | TS-3GA-23.226(Rel10)v10.0.0 | 10.0.0 | Approved | Jun 11 | http://www.ttc.or.jp/j/document_list/free/3gpps2011/TS/TS-3GA-23.226(Rel10)v10.0.0.pdf |

Release 11

| | | | | | |
|------|-----------------------------|--------|-----------|--------|---|
| CCSA | CCSA-TSD-DS-23.226 | 11.0.0 | Published | Jun 14 | http://www.ccsa.org.cn/english/tc/files.php?docpath=/ITU-R/M.1457/M.1457-12/DS |
| ETSI | ETSI TS 123 226 | 11.0.0 | Published | Sep 12 | http://www.etsi.org/deliver/etsi_ts/123200_123299/123226/11.00.00_60/ |
| TTA | TTAT.3G-23.226(R11-11.0.0) | 11.0.0 | published | Aug 13 | http://www.tta.or.kr/data/ttasDown.jsp?where=14688&pk_num=TTAT.3G-23.226(R11-11.0.0) |
| TTC | TS-3GA-23.226(Rel11)v11.0.0 | 11.0.0 | Approved | Jun 13 | http://www.ttc.or.jp/j/document_list/free/3gpps2013/TS/TS-3GA-23.226(Rel11)v11.0.0.pdf |

5.1.2.13.70 TS 23.228**IP Multimedia Subsystem (IMS); Stage 2**

This specifications describes the architectural requirement for an IP Multimedia Components incorporated in an UMTS System as well as second generation systems for GSM inside the core network and identify relevant interfaces to the existing system and the new one in between the new components incorporated.

| SDO (2) | Document No. | Version | Status | Issued date | Location (1) |
|------------------|----------------------------|---------|-----------|-------------|---|
| Release 5 | | | | | |
| ARIB | ARIB STD-T63-23.228 | 5.15.0 | Approved | Jul 13 | http://www.arib.or.jp/english/html/overview/doc/STD-T63v10_00/2_T63/ARIB-STD-T63/Rel5/23/A23228-5f0.pdf |
| CCSA | CCSA-TSD-DS-23.228 | 5.15.0 | Published | Aug 06 | http://www.ccsa.org.cn/english/tc/files.php?docpath=/ITU-R/M.1457/M.1457-12/DS |
| ETSI | ETSI TS 123 228 | 5.15.0 | Published | Aug 06 | http://www.etsi.org/deliver/etsi_ts/123200_123299/123228/05.15.00_60/ |
| TTC | TS-3GA-23.228(Rel5)v5.15.0 | 5.15.0 | Approved | Mar 07 | http://www.ttc.or.jp/j/document_list/free/TS/TS-3GA-23.228(Rel5)v5.15.0.pdf |
| Release 6 | | | | | |
| ARIB | ARIB STD-T63-23.228 | 6.16.0 | Approved | Jul 13 | http://www.arib.or.jp/english/html/overview/doc/STD-T63v10_00/2_T63/ARIB-STD-T63/Rel6/23/A23228-6g0.pdf |

| | | | | | |
|-------------------|-----------------------------|---------|-----------|--------|---|
| CCSA | CCSA-TSD-DS-23.228 | 6.16.0 | Published | Mar 07 | http://www.ccsa.org.cn/english/tc/files.php?docpath=/ITU-R/M.1457/M.1457-12/DS |
| ETSI | ETSI TS 123 228 | 6.16.0 | Published | Mar 07 | http://www.etsi.org/deliver/etsi_ts/123200_123299/123228/06.16.00_60/ |
| TTC | TS-3GA-23.228(Rel6)v6.16.0 | 6.16.0 | Approved | Feb 09 | http://www.ttc.or.jp/j/document_list/free/3gpps2009/TS/TS-3GA-23.228(Rel6)v6.16.0.pdf |
| Release 7 | | | | | |
| ARIB | ARIB STD-T63-23.228 | 7.16.0 | Approved | Jul 13 | http://www.arib.or.jp/english/html/overview/doc/STD-T63v10_00/2_T63/ARIB-STD-T63/Rel7/23/A23228-7g0.pdf |
| CCSA | CCSA-TSD-DS-23.228 | 7.16.0 | Published | Mar 10 | http://www.ccsa.org.cn/english/tc/files.php?docpath=/ITU-R/M.1457/M.1457-12/DS |
| ETSI | ETSI TS 123 228 | 7.16.0 | Published | Jan 10 | http://www.etsi.org/deliver/etsi_ts/123200_123299/123228/07.16.00_60/ |
| TTC | TS-3GA-23.228(Rel7)v7.16.0 | 7.16.0 | Approved | Apr 10 | http://www.ttc.or.jp/j/document_list/free/3gpps2010/TS/TS-3GA-23.228(Rel7)v7.16.0.pdf |
| Release 8 | | | | | |
| ARIB | ARIB STD-T63-23.228 | 8.12.0 | Approved | Jul 13 | http://www.arib.or.jp/english/html/overview/doc/STD-T63v10_00/2_T63/ARIB-STD-T63/Rel8/23/A23228-8c0.pdf |
| CCSA | CCSA-TSD-DS-23.228 | 8.12.0 | Published | Mar 10 | http://www.ccsa.org.cn/english/tc/files.php?docpath=/ITU-R/M.1457/M.1457-12/DS |
| ETSI | ETSI TS 123 228 | 8.12.0 | Published | Mar 10 | http://www.etsi.org/deliver/etsi_ts/123200_123299/123228/08.12.00_60/ |
| TTA | TTAT.3G-23.228(R8-8.8.0) | 8.8.0 | Approved | Jul 09 | http://www.tta.or.kr/data/ttasDown.jsp?where=14688&pk_num=TTAT.3G-23.228(R8-8.8.0) |
| TTC | TS-3GA-23.228(Rel8)v8.12.0 | 8.12.0 | Approved | Jul 10 | http://www.ttc.or.jp/j/document_list/free/3gpps2010/TS/TS-3GA-23.228(Rel8)v8.12.0.pdf |
| Release 9 | | | | | |
| ARIB | ARIB STD-T63-23.228 | 9.4.0 | Approved | Jul 13 | http://www.arib.or.jp/english/html/overview/doc/STD-T63v10_00/2_T63/ARIB-STD-T63/Rel9/23/A23228-940.pdf |
| CCSA | CCSA-TSD-DS-23.228 | 9.4.0 | Published | Jun 12 | http://www.ccsa.org.cn/english/tc/files.php?docpath=/ITU-R/M.1457/M.1457-12/DS |
| ETSI | ETSI TS 123 228 | 9.4.0 | Published | Oct 10 | http://www.etsi.org/deliver/etsi_ts/123200_123299/123228/09.04.00_60/ |
| TTA | TTAT.3G-23.228(R9-9.3.0) | 9.3.0 | Approved | Jul 10 | http://www.tta.or.kr/data/ttasDown.jsp?where=14688&pk_num=TTAT.3G-23.228(R9-9.3.0) |
| TTC | TS-3GA-23.228(Rel9)v9.4.0 | 9.4.0 | Approved | Dec 10 | http://www.ttc.or.jp/j/document_list/free/3gpps2010/TS/TS-3GA-23.228(Rel9)v9.4.0.pdf |
| Release 10 | | | | | |
| ARIB | ARIB STD-T63-23.228 | 10.7.0 | Approved | Jul 13 | http://www.arib.or.jp/english/html/overview/doc/STD-T63v10_00/2_T63/ARIB-STD-T63/Rel10/23/A23228-a70.pdf |
| CCSA | CCSA-TSD-DS-23.228 | 10.7.0 | Published | Jun 12 | http://www.ccsa.org.cn/english/tc/files.php?docpath=/ITU-R/M.1457/M.1457-12/DS |
| ETSI | ETSI TS 123 228 | 10.7.0 | Published | Jan 12 | http://www.etsi.org/deliver/etsi_ts/123200_123299/123228/10.07.00_60/ |
| TTA | TTAT.3G-23.228(R10-10.7.0) | 10.7.0 | Approved | Aug 12 | http://www.tta.or.kr/data/ttasDown.jsp?where=14688&pk_num=TTAT.3G-23.228(R10-10.7.0) |
| TTC | TS-3GA-23.228(Rel10)v10.7.0 | 10.7.0 | Approved | Feb 12 | http://www.ttc.or.jp/jp/document_list/free/3gpps2012/TS/TS-3GA-23.228(Rel10)v10.7.0.pdf |
| Release 11 | | | | | |
| ARIB | ARIB STD-T63-23.228 | 11.7.0 | Approved | Jul 13 | http://www.arib.or.jp/english/html/overview/doc/STD-T63v10_00/2_T63/ARIB-STD-T63/Rel11/23/A23228-b70.pdf |
| CCSA | CCSA-TSD-DS-23.228 | 11.10.0 | Published | Jun 14 | http://www.ccsa.org.cn/english/tc/files.php?docpath=/ITU-R/M.1457/M.1457-12/DS |
| ETSI | ETSI TS 123 228 | 11.7.0 | Published | Jan 13 | http://www.etsi.org/deliver/etsi_ts/123200_123299/123228/11.07.00_60/ |
| TTA | TTAT.3G-23.228(R11-11.7.0) | 11.7.0 | published | Aug 13 | http://www.tta.or.kr/data/ttasDown.jsp?where=14688&pk_num=TTAT.3G-23.228(R11-11.7.0) |
| TTC | TS-3GA-23.228(Rel11)v11.7.0 | 11.7.0 | Approved | Jun 13 | http://www.ttc.or.jp/jp/document_list/free/3gpps2013/TS/TS-3GA-23.228(Rel11)v11.7.0.pdf |

5.1.2.13.71 TS 23.234

3GPP system to Wireless Local Area Network (WLAN) interworking; System description

This document specifies system description for interworking between 3GPP systems and Wireless Local Area Networks (WLANs), which extends 3GPP services and functionality to the WLAN access environment. It is not limited to WLAN technologies, but also valid for other IP based Access Networks that support the same capabilities towards the interworking system as WLAN does.

| SDO (2) | Document No. | Version | Status | Issued date | Location (1) |
|---------|--------------|---------|--------|-------------|--------------|
|---------|--------------|---------|--------|-------------|--------------|

Release 6

| | | | | | |
|-------------------|-----------------------------|--------|-----------|--------|---|
| ETSI | ETSI TS 123 234 | 6.10.0 | Published | Oct 06 | http://www.etsi.org/deliver/etsi_ts/123200_123299/123234/06.10.00_60/ |
| TTC | TS-3GA-23.234(Rel6)v6.10.0 | 6.10.0 | Approved | Mar 08 | http://www.ttc.or.jp/j/document_list/free/TS/TS-3GA-23.234(Rel6)v6.10.0.pdf |
| Release 7 | | | | | |
| ETSI | ETSI TS 123 234 | 7.7.0 | Published | Jun 08 | http://www.etsi.org/deliver/etsi_ts/123200_123299/123234/07.07.00_60/ |
| TTC | TS-3GA-23.234(Rel7)v7.7.0 | 7.7.0 | Approved | Feb 09 | http://www.ttc.or.jp/j/document_list/free/3gpps2009/TS/TS-3GA-23.234(Rel7)v7.7.0.pdf |
| Release 8 | | | | | |
| ETSI | ETSI TS 123 234 | 8.0.0 | Published | Apr 09 | http://www.etsi.org/deliver/etsi_ts/123200_123299/123234/08.00.00_60/ |
| TTC | TS-3GA-23.234(Rel8)v8.0.0 | 8.0.0 | Approved | Feb 09 | http://www.ttc.or.jp/j/document_list/free/3gpps2009/TS/TS-3GA-23.234(Rel8)v8.0.0.pdf |
| Release 9 | | | | | |
| ETSI | ETSI TS 123 234 | 9.0.0 | Published | Jan 10 | http://www.etsi.org/deliver/etsi_ts/123200_123299/123234/09.00.00_60/ |
| TTC | TS-3GA-23.234(Rel9)v9.0.0 | 9.0.0 | Approved | Jul 10 | http://www.ttc.or.jp/j/document_list/free/3gpps2010/TS/TS-3GA-23.234(Rel9)v9.0.0.pdf |
| Release 10 | | | | | |
| ETSI | ETSI TS 123 234 | 10.0.0 | Published | Mar 11 | http://www.etsi.org/deliver/etsi_ts/123200_123299/123234/10.00.00_60/ |
| TTC | TS-3GA-23.234(Rel10)v10.0.0 | 10.0.0 | Approved | Jun 11 | http://www.ttc.or.jp/j/document_list/free/3gpps2011/TS/TS-3GA-23.234(Rel10)v10.0.0.pdf |
| Release 11 | | | | | |
| CCSA | CCSA-TSD-DS-23.234 | 11.0.0 | Published | Jun 14 | http://www.ccsa.org.cn/english/tc/files.php?docpath=/ITU-R/M.1457/M.1457-12/DS |
| ETSI | ETSI TS 123 234 | 11.0.0 | Published | Sep 12 | http://www.etsi.org/deliver/etsi_ts/123200_123299/123234/11.00.00_60/ |
| TTA | TTAT.3G-23.234(R11-11.0.0) | 11.0.0 | published | Aug 13 | http://www.tta.or.kr/data/ttasDown.jsp?where=14688&pk_num=TTAT.3G-23.234(R11-11.0.0) |
| TTC | TS-3GA-23.234(Rel11)v11.0.0 | 11.0.0 | Approved | Jun 13 | http://www.ttc.or.jp/j/document_list/free/3gpps2013/TS/TS-3GA-23.234(Rel11)v11.0.0.pdf |

5.1.2.13.72 TS 23.236

Intra-domain connection of Radio Access Network (RAN) nodes to multiple Core Network (CN) nodes

UMTS will build on the success of GSM and is likely to become even more widespread, increasing the importance of a flexible network structure to permit the different operational configurations in which these networks will be deployed. The requirements to have a RNC or BSC controlled by a single MSC server or SGSN lead to certain limitations. Allowing the BSCs and RNCs to connect to a number of MSC servers or SGSNs increases the networks performance in terms of scalability, distributing the network load amongst the serving entities, and reducing the required signalling as the user roams.

| SDO (2) | Document No. | Version | Status | Issued date | Location (1) |
|------------------|---------------------------|---------|-----------|-------------|---|
| Release 5 | | | | | |
| ARIB | ARIB STD-T63-23.236 | 5.4.0 | Approved | Jul 13 | http://www.arib.or.jp/english/html/overview/doc/STD-T63v10_00/2_T63/ARIB-STD-T63/Rel5/23/A23236-540.pdf |
| CCSA | CCSA-TSD-DS-23.236 | 5.4.0 | Published | Jun 12 | http://www.ccsa.org.cn/english/tc/files.php?docpath=/ITU-R/M.1457/M.1457-12/DS |
| ETSI | ETSI TS 123 236 | 5.4.0 | Published | Oct 05 | http://www.etsi.org/deliver/etsi_ts/123200_123299/123236/05.04.00_60/ |
| TTC | TS-3GA-23.236(Rel5)v5.4.0 | 5.4.0 | Approved | Nov 05 | http://www.ttc.or.jp/j/document_list/free/TS/TS-3GA-23.236(Rel5)v5.4.0.pdf |
| Release 6 | | | | | |
| ARIB | ARIB STD-T63-23.236 | 6.3.0 | Approved | Jul 13 | http://www.arib.or.jp/english/html/overview/doc/STD-T63v10_00/2_T63/ARIB-STD-T63/Rel6/23/A23236-630.pdf |
| CCSA | CCSA-TSD-DS-23.236 | 6.3.0 | Published | Jun 12 | http://www.ccsa.org.cn/english/tc/files.php?docpath=/ITU-R/M.1457/M.1457-12/DS |
| ETSI | ETSI TS 123 236 | 6.3.0 | Published | May 06 | http://www.etsi.org/deliver/etsi_ts/123200_123299/123236/06.03.00_60/ |
| TTC | TS-3GA-23.236(Rel6)v6.3.0 | 6.3.0 | Approved | Mar 07 | http://www.ttc.or.jp/j/document_list/free/TS/TS-3GA-23.236(Rel6)v6.3.0.pdf |
| Release 7 | | | | | |
| ARIB | ARIB STD-T63-23.236 | 7.0.0 | Approved | Jul 13 | http://www.arib.or.jp/english/html/overview/doc/STD-T63v10_00/2_T63/ARIB-STD-T63/Rel7/23/A23236-700.pdf |
| CCSA | CCSA-TSD-DS-23.236 | 7.0.0 | Published | Jun 12 | http://www.ccsa.org.cn/english/tc/files.php?docpath=/ITU-R/M.1457/M.1457-12/DS |

| | | | | | |
|-------------------|----------------------------|--------|-----------|--------|---|
| ETSI | ETSI TS 123 236 | 7.0.0 | Published | Jul 07 | http://www.etsi.org/deliver/etsi_ts/123200_123299/123236/07.00.00_60/ |
| TTC | TS-3GA-23.236(Rel7)v7.0.0 | 7.0.0 | Approved | Oct 09 | http://www.ttc.or.jp/j/document_list/free/3gpps2009/TS/TS-3GA-23.236(Rel7)v7.0.0.pdf |
| Release 8 | | | | | |
| ARIB | ARIB STD-T63-23.236 | 8.1.0 | Approved | Jul 13 | http://www.arib.or.jp/english/html/overview/doc/STD-T63v10_00/2_T63/ARIB-STD-T63/Rel8/23/A23236-810.pdf |
| CCSA | CCSA-TSD-DS-23.236 | 8.1.0 | Published | Jun 12 | http://www.ccsa.org.cn/english/tc/files.php?docpath=/ITU-R/M.1457/M.1457-12/DS |
| ETSI | ETSI TS 123 236 | 8.1.0 | Published | Jan 10 | http://www.etsi.org/deliver/etsi_ts/123200_123299/123236/08.01.00_60/ |
| TTC | TS-3GA-23.236(Rel8)v8.1.0 | 8.1.0 | Approved | Apr 10 | http://www.ttc.or.jp/j/document_list/free/3gpps2010/TS/TS-3GA-23.236(Rel8)v8.1.0.pdf |
| Release 9 | | | | | |
| ARIB | ARIB STD-T63-23.236 | 9.0.0 | Approved | Jul 13 | http://www.arib.or.jp/english/html/overview/doc/STD-T63v10_00/2_T63/ARIB-STD-T63/Rel9/23/A23236-900.pdf |
| CCSA | CCSA-TSD-DS-23.236 | 9.0.0 | Published | Jun 12 | http://www.ccsa.org.cn/english/tc/files.php?docpath=/ITU-R/M.1457/M.1457-12/DS |
| ETSI | ETSI TS 123 236 | 9.0.0 | Published | Jan 10 | http://www.etsi.org/deliver/etsi_ts/123200_123299/123236/09.00.00_60/ |
| TTC | TS-3GA-23.236(Rel9)v9.0.0 | 9.0.0 | Approved | Jul 10 | http://www.ttc.or.jp/j/document_list/free/3gpps2010/TS/TS-3GA-23.236(Rel9)v9.0.0.pdf |
| Release 10 | | | | | |
| ARIB | ARIB STD-T63-23.236 | 10.3.0 | Approved | Jul 13 | http://www.arib.or.jp/english/html/overview/doc/STD-T63v10_00/2_T63/ARIB-STD-T63/Rel10/23/A23236-a30.pdf |
| CCSA | CCSA-TSD-DS-23.236 | 10.2.1 | Published | Jun 12 | http://www.ccsa.org.cn/english/tc/files.php?docpath=/ITU-R/M.1457/M.1457-12/DS |
| ETSI | ETSI TS 123 236 | 10.3.0 | Published | Mar 12 | http://www.etsi.org/deliver/etsi_ts/123200_123299/123236/10.03.00_60/ |
| TTA | TTAT.3G-23.236(R10-10.3.0) | 10.3.0 | Approved | Aug 12 | http://www.tta.or.kr/data/ttasDown.jsp?where=14688&pk_num=TTAT.3G-23.236(R10-10.3.0) |
| Release 11 | | | | | |
| ARIB | ARIB STD-T63-23.236 | 11.0.0 | Approved | Jul 13 | http://www.arib.or.jp/english/html/overview/doc/STD-T63v10_00/2_T63/ARIB-STD-T63/Rel11/23/A23236-b00.pdf |
| CCSA | CCSA-TSD-DS-23.236 | 11.0.0 | Published | Jun 14 | http://www.ccsa.org.cn/english/tc/files.php?docpath=/ITU-R/M.1457/M.1457-12/DS |
| ETSI | ETSI TS 123 236 | 11.0.0 | Published | Nov 12 | http://www.etsi.org/deliver/etsi_ts/123200_123299/123236/11.00.00_60/ |
| TTA | TTAT.3G-23.236(R11-11.0.0) | 11.0.0 | published | Aug 13 | http://www.tta.or.kr/data/ttasDown.jsp?where=14688&pk_num=TTAT.3G-23.236(R11-11.0.0) |

5.1.2.13.73 TS 23.237

IP Multimedia Subsystem (IMS) Service Continuity; Stage 2

This document specifies the architectural requirements and procedures for delivery of IMS Service Continuity.

The scope of the specification includes:

- Access Transfer related functionality;
- PS-CS Access Transfer;
- PS-PS Access Transfer;
- PS-PS Access Transfer in conjunction with PS-CS Access Transfer;
- Adding and/or removing media flows to support service;
- MSC Server assisted mid-call feature;
- SRVCC session transfer of IMS emergency session.

- Inter UE Transfer related functionality;
- Establishment and release of a Collaborative Session;
- Addition of media flows to, modification of media flows in, and release of media flows from a Collaborative Session;
- Transfer of media flows from one UE to another;
- Transfer of the Collaborative Session Control with or without transfer of media flows;
- Transfer of all media flows to a target UE without establishing a Collaborative Session;
- Session discovery;
- Inter-UE Transfer initiated by the target UE or by the SCC AS;
- Replication of media flows by means of Inter-UE Transfer procedures;
- Authorization and other aspects to support Inter-UE Transfer across multiple IMS subscriptions. The solution is restricted to service continuity using IMS procedures, i.e. mobility mechanisms on the IP-CAN level are not within the scope of this specification.

| SDO (2) | Document No. | Version | Status | Issued date | Location (1) |
|-------------------|------------------------------|---------|-----------|-------------|---|
| Release 8 | | | | | |
| CCSA | CCSA-TSD-DS-23.237 | 8.7.0 | Published | Jun 12 | http://www.ccsa.org.cn/english/tc/files.php?docpath=/ITU-R/M.1457/M.1457-12/DS |
| ETSI | ETSI TS 123 237 | 8.7.0 | Published | Mar 10 | http://www.etsi.org/deliver/etsi_ts/123200_123299/123237/08.07.00_60/ |
| TTC | TS-3GA-23.237(Rel8)v8.7.0 | 8.7.0 | Approved | Jul 10 | http://www.ttc.or.jp/j/document_list/free/3gpps2010/TS/TS-3GA-23.237(Rel8)v8.7.0.pdf |
| Release 9 | | | | | |
| CCSA | CCSA-TSD-DS-23.237 | 9.8.0 | Published | Jun 12 | http://www.ccsa.org.cn/english/tc/files.php?docpath=/ITU-R/M.1457/M.1457-12/DS |
| ETSI | ETSI TS 123 237 | 9.10.0 | Published | Jan 13 | http://www.etsi.org/deliver/etsi_ts/123200_123299/123237/09.10.00_60/ |
| TTC | TS-3GA-23.237(Rel9)v9.10.0 | 9.10.0 | Approved | Jun 13 | http://www.ttc.or.jp/j/document_list/free/3gpps2013/TS/TS-3GA-23.237(Rel9)v9.10.0.pdf |
| Release 10 | | | | | |
| CCSA | CCSA-TSD-DS-23.237 | 10.8.0 | Published | Jun 12 | http://www.ccsa.org.cn/english/tc/files.php?docpath=/ITU-R/M.1457/M.1457-12/DS |
| ETSI | ETSI TS 123 237 | 10.10.0 | Published | Jan 13 | http://www.etsi.org/deliver/etsi_ts/123200_123299/123237/10.10.00_60/ |
| TTA | TTAT.3G-23.237(R10-10.9.0) | 10.9.0 | Approved | Aug 12 | http://www.tta.or.kr/data/ttasDown.jsp?where=14688&pk_num=TTAT.3G-23.237(R10-10.9.0) |
| TTC | TS-3GA-23.237(Rel10)v10.10.0 | 10.10.0 | Approved | Jun 13 | http://www.ttc.or.jp/jp/document_list/free/3gpps2013/TS/TS-3GA-23.237(Rel10)v10.10.0.pdf |
| Release 11 | | | | | |
| CCSA | CCSA-TSD-DS-23.237 | 11.10.0 | Published | Jun 14 | http://www.ccsa.org.cn/english/tc/files.php?docpath=/ITU-R/M.1457/M.1457-12/DS |
| ETSI | ETSI TS 123 237 | 11.7.0 | Published | Apr 13 | http://www.etsi.org/deliver/etsi_ts/123200_123299/123237/11.07.00_60/ |
| TTA | TTAT.3G-23.237(R11-11.7.0) | 11.7.0 | published | Aug 13 | http://www.tta.or.kr/data/ttasDown.jsp?where=14688&pk_num=TTAT.3G-23.237(R11-11.7.0) |
| TTC | TS-3GA-23.237(Rel11)v11.7.0 | 11.7.0 | Approved | Jun 13 | http://www.ttc.or.jp/jp/document_list/free/3gpps2013/TS/TS-3GA-23.237(Rel11)v11.7.0.pdf |

5.1.2.13.74 TS 23.240**3GPP Generic User Profile (GUP); Architecture (Stage 2)**

This document defines the stage 2 architecture description to the 3GPP Generic User Profile (GUP), which includes the elements necessary to realize the stage 1 requirements in TS 22.240. This document includes the GUP reference architecture with descriptions of functional entities, and their interfaces and procedures, as well as the high-level information model for the GUP data.

| SDO (2) | Document No. | Version | Status | Issued date | Location (1) |
|-------------------|-----------------------------|---------|-----------|-------------|---|
| Release 6 | | | | | |
| CCSA | CCSA-TSD-DS-23.240 | 6.7.0 | Published | Jun 12 | http://www.ccsa.org.cn/english/tc/files.php?docpath=/ITU-R/M.1457/M.1457-12/DS |
| ETSI | ETSI TS 123 240 | 6.7.0 | Published | Apr 05 | http://www.etsi.org/deliver/etsi_ts/123200_123299/123240/06.07.00_60/ |
| TTC | TS-3GA-23.240(Rel6)v6.7.0 | 6.7.0 | Approved | Mar 08 | http://www.ttc.or.jp/j/document_list/free/TS/TS-3GA-23.240(Rel6)v6.7.0.pdf |
| Release 7 | | | | | |
| CCSA | CCSA-TSD-DS-23.240 | 7.0.0 | Published | Jun 12 | http://www.ccsa.org.cn/english/tc/files.php?docpath=/ITU-R/M.1457/M.1457-12/DS |
| ETSI | ETSI TS 123 240 | 7.0.0 | Published | Jun 07 | http://www.etsi.org/deliver/etsi_ts/123200_123299/123240/07.00.00_60/ |
| TTC | TS-3GA-23.240(Rel7)v7.0.0 | 7.0.0 | Approved | Mar 08 | http://www.ttc.or.jp/j/document_list/free/TS/TS-3GA-23.240(Rel7)v7.0.0.pdf |
| Release 8 | | | | | |
| CCSA | CCSA-TSD-DS-23.240 | 8.0.0 | Published | Jun 12 | http://www.ccsa.org.cn/english/tc/files.php?docpath=/ITU-R/M.1457/M.1457-12/DS |
| ETSI | ETSI TS 123 240 | 8.0.0 | Published | Jan 09 | http://www.etsi.org/deliver/etsi_ts/123200_123299/123240/08.00.00_60/ |
| TTC | TS-3GA-23.240(Rel8)v8.0.0 | 8.0.0 | Approved | Feb 09 | http://www.ttc.or.jp/j/document_list/free/3gpps2009/TS/TS-3GA-23.240(Rel8)v8.0.0.pdf |
| Release 9 | | | | | |
| CCSA | CCSA-TSD-DS-23.240 | 9.0.0 | Published | Jun 12 | http://www.ccsa.org.cn/english/tc/files.php?docpath=/ITU-R/M.1457/M.1457-12/DS |
| ETSI | ETSI TS 123 240 | 9.0.0 | Published | Jan 10 | http://www.etsi.org/deliver/etsi_ts/123200_123299/123240/09.00.00_60/ |
| TTC | TS-3GA-23.240(Rel9)v9.0.0 | 9.0.0 | Approved | Jul 10 | http://www.ttc.or.jp/j/document_list/free/3gpps2010/TS/TS-3GA-23.240(Rel9)v9.0.0.pdf |
| Release 10 | | | | | |
| CCSA | CCSA-TSD-DS-23.240 | 10.0.0 | Published | Jun 12 | http://www.ccsa.org.cn/english/tc/files.php?docpath=/ITU-R/M.1457/M.1457-12/DS |
| ETSI | ETSI TS 123 240 | 10.0.0 | Published | Mar 11 | http://www.etsi.org/deliver/etsi_ts/123200_123299/123240/10.00.00_60/ |
| TTA | TTAT.3G-23.240(R10-10.0.0) | 10.0.0 | Approved | Apr 12 | http://www.tta.or.kr/data/ttasDown.jsp?where=14688&pk_num=TTAT.3G-23.240(R10-10.0.0) |
| TTC | TS-3GA-23.240(Rel10)v10.0.0 | 10.0.0 | Approved | Jun 11 | http://www.ttc.or.jp/j/document_list/free/3gpps2011/TS/TS-3GA-23.240(Rel10)v10.0.0.pdf |
| Release 11 | | | | | |
| CCSA | CCSA-TSD-DS-23.240 | 11.0.0 | Published | Jun 14 | http://www.ccsa.org.cn/english/tc/files.php?docpath=/ITU-R/M.1457/M.1457-12/DS |
| ETSI | ETSI TS 123 240 | 11.0.0 | Published | Sep 12 | http://www.etsi.org/deliver/etsi_ts/123200_123299/123240/11.00.00_60/ |
| TTA | TTAT.3G-23.240(R11-11.0.0) | 11.0.0 | published | Aug 13 | http://www.tta.or.kr/data/ttasDown.jsp?where=14688&pk_num=TTAT.3G-23.240(R11-11.0.0) |
| TTC | TS-3GA-23.240(Rel11)v11.0.0 | 11.0.0 | Approved | Jun 13 | http://www.ttc.or.jp/j/document_list/free/3gpps2013/TS/TS-3GA-23.240(Rel11)v11.0.0.pdf |

5.1.2.13.75 TS 23.246**Multimedia Broadcast/Multicast Service (MBMS); Architecture and functional description**

This document describes the stage 2 description (architectural solution and functionalities) for the MBMS Bearer Service, which includes, together with MBMS User Services defined in TS 26.346, all the elements necessary to realize the stage 1 requirements in TS 22.146 and TS 22.246. This document encompasses both GPRS and EPS.

| SDO (2) | Document No. | Version | Status | Issued date | Location (1) |
|-------------------|-----------------------------|---------|-----------|-------------|---|
| Release 6 | | | | | |
| CCSA | CCSA-TSD-DS-23.246 | 6.12.0 | Published | Jun 12 | http://www.ccsa.org.cn/english/tc/files.php?docpath=/ITU-R/M.1457/M.1457-12/DS |
| ETSI | ETSI TS 123 246 | 6.12.0 | Published | Jun 07 | http://www.etsi.org/deliver/etsi_ts/123200_123299/123246/06.12.00_60/ |
| TTC | TS-3GA-23.246(Rel6)v6.12.0 | 6.12.0 | Approved | Mar 08 | http://www.ttc.or.jp/j/document_list/free/TS/TS-3GA-23.246(Rel6)v6.12.0.pdf |
| Release 7 | | | | | |
| CCSA | CCSA-TSD-DS-23.246 | 7.4.0 | Published | Jun 12 | http://www.ccsa.org.cn/english/tc/files.php?docpath=/ITU-R/M.1457/M.1457-12/DS |
| ETSI | ETSI TS 123 246 | 7.4.0 | Published | Oct 07 | http://www.etsi.org/deliver/etsi_ts/123200_123299/123246/07.04.00_60/ |
| TTC | TS-3GA-23.246(Rel7)v7.4.0 | 7.4.0 | Approved | Mar 08 | http://www.ttc.or.jp/j/document_list/free/TS/TS-3GA-23.246(Rel7)v7.4.0.pdf |
| Release 8 | | | | | |
| CCSA | CCSA-TSD-DS-23.246 | 8.4.0 | Published | Jun 12 | http://www.ccsa.org.cn/english/tc/files.php?docpath=/ITU-R/M.1457/M.1457-12/DS |
| ETSI | ETSI TS 123 246 | 8.4.0 | Published | Jun 09 | http://www.etsi.org/deliver/etsi_ts/123200_123299/123246/08.04.00_60/ |
| TTC | TS-3GA-23.246(Rel8)v8.4.0 | 8.4.0 | Approved | Oct 09 | http://www.ttc.or.jp/j/document_list/free/3gpps2009/TS/TS-3GA-23.246(Rel8)v8.4.0.pdf |
| Release 9 | | | | | |
| CCSA | CCSA-TSD-DS-23.246 | 9.6.0 | Published | Jun 12 | http://www.ccsa.org.cn/english/tc/files.php?docpath=/ITU-R/M.1457/M.1457-12/DS |
| ETSI | ETSI TS 123 246 | 9.6.0 | Published | Jan 12 | http://www.etsi.org/deliver/etsi_ts/123200_123299/123246/09.06.00_60/ |
| TTC | TS-3GA-23.246(Rel9)v9.6.0 | 9.6.0 | Approved | Feb 12 | http://www.ttc.or.jp/j/document_list/free/3gpps2012/TS/TS-3GA-23.246(Rel9)v9.6.0.pdf |
| Release 10 | | | | | |
| CCSA | CCSA-TSD-DS-23.246 | 10.2.0 | Published | Jun 12 | http://www.ccsa.org.cn/english/tc/files.php?docpath=/ITU-R/M.1457/M.1457-12/DS |
| ETSI | ETSI TS 123 246 | 10.3.0 | Published | Mar 12 | http://www.etsi.org/deliver/etsi_ts/123200_123299/123246/10.03.00_60/ |
| TTA | TTAT.3G-23.246(R10-10.3.0) | 10.3.0 | Approved | Aug 12 | http://www.tta.or.kr/data/ttasDown.jsp?where=14688&pk_num=TTAT.3G-23.246(R10-10.3.0) |
| TTC | TS-3GA-23.246(Rel10)v10.3.0 | 10.3.0 | Approved | Jun 12 | http://www.ttc.or.jp/j/document_list/free/3gpps2012/TS/TS-3GA-23.246(Rel10)v10.3.0.pdf |
| Release 11 | | | | | |
| CCSA | CCSA-TSD-DS-23.246 | 11.1.0 | Published | Jun 14 | http://www.ccsa.org.cn/english/tc/files.php?docpath=/ITU-R/M.1457/M.1457-12/DS |
| ETSI | ETSI TS 123 246 | 11.1.0 | Published | Nov 12 | http://www.etsi.org/deliver/etsi_ts/123200_123299/123246/11.01.00_60/ |
| TTA | TTAT.3G-23.246(R11-11.1.0) | 11.1.0 | published | Aug 13 | http://www.tta.or.kr/data/ttasDown.jsp?where=14688&pk_num=TTAT.3G-23.246(R11-11.1.0) |
| TTC | TS-3GA-23.246(Rel11)v11.1.0 | 11.1.0 | Approved | Jun 13 | http://www.ttc.or.jp/j/document_list/free/3gpps2013/TS/TS-3GA-23.246(Rel11)v11.1.0.pdf |

5.1.2.13.76 TS 23.251

Network sharing; Architecture and functional description

This document covers the details of Network Sharing for GERAN, UTRAN and E-UTRAN. It shows how several core network operators can share one radio access network and details the impacts on the network architecture. All UEs shall comply with existing requirements, among them PLMN selection and system information reception. This document also defines requirements for network-sharing supporting UEs

| SDO (2) | Document No. | Version | Status | Issued date | Location (1) |
|------------------|---------------------------|---------|-----------|-------------|---|
| Release 6 | | | | | |
| CCSA | CCSA-TSD-DS-23.251 | 6.6.0 | Published | Jun 12 | http://www.ccsa.org.cn/english/tc/files.php?docpath=/ITU-R/M.1457/M.1457-12/DS |
| ETSI | ETSI TS 123 251 | 6.6.0 | Published | May 06 | http://www.etsi.org/deliver/etsi_ts/123200_123299/123251/06.06.00_60/ |
| TTC | TS-3GA-23.251(Rel6)v6.6.0 | 6.6.0 | Approved | Mar 08 | http://www.ttc.or.jp/j/document_list/free/TS/TS-3GA-23.251(Rel6)v6.6.0.pdf |
| Release 7 | | | | | |
| CCSA | CCSA-TSD-DS-23.251 | 7.0.0 | Published | Jun 12 | http://www.ccsa.org.cn/english/tc/files.php?docpath=/ITU-R/M.1457/M.1457-12/DS |

| | | | | | |
|-------------------|-----------------------------|--------|-----------|--------|---|
| ETSI | ETSI TS 123 251 | 7.0.0 | Published | Jun 07 | http://www.etsi.org/deliver/etsi_ts/123200_123299/123251/07.00.00_60/ |
| TTC | TS-3GA-23.251(Rel7)v7.0.0 | 7.0.0 | Approved | Mar 08 | http://www.ttc.or.jp/j/document_list/free/TS/TS-3GA-23.251(Rel7)v7.0.0.pdf |
| Release 8 | | | | | |
| CCSA | CCSA-TSD-DS-23.251 | 8.3.0 | Published | Jun 12 | http://www.ccsa.org.cn/english/tc/files.php?docpath=/ITU-R/M.1457/M.1457-12/DS |
| ETSI | ETSI TS 123 251 | 8.4.0 | Published | Jan 13 | http://www.etsi.org/deliver/etsi_ts/123200_123299/123251/08.04.00_60/ |
| TTC | TS-3GA-23.251(Rel8)v8.4.0 | 8.4.0 | Approved | Jun 13 | http://www.ttc.or.jp/j/document_list/free/3gpps2013/TS/TS-3GA-23.251(Rel8)v8.4.0.pdf |
| Release 9 | | | | | |
| CCSA | CCSA-TSD-DS-23.251 | 9.4.0 | Published | Jun 12 | http://www.ccsa.org.cn/english/tc/files.php?docpath=/ITU-R/M.1457/M.1457-12/DS |
| ETSI | ETSI TS 123 251 | 9.5.0 | Published | Jan 13 | http://www.etsi.org/deliver/etsi_ts/123200_123299/123251/09.05.00_60/ |
| TTC | TS-3GA-23.251(Rel9)v9.5.0 | 9.5.0 | Approved | Jun 13 | http://www.ttc.or.jp/j/document_list/free/3gpps2013/TS/TS-3GA-23.251(Rel9)v9.5.0.pdf |
| Release 10 | | | | | |
| CCSA | CCSA-TSD-DS-23.251 | 10.2.0 | Published | Jun 12 | http://www.ccsa.org.cn/english/tc/files.php?docpath=/ITU-R/M.1457/M.1457-12/DS |
| ETSI | ETSI TS 123 251 | 10.5.0 | Published | Jan 13 | http://www.etsi.org/deliver/etsi_ts/123200_123299/123251/10.05.00_60/ |
| TTA | TTAT.3G-23.251(R10-10.3.0) | 10.3.0 | Approved | Aug 12 | http://www.tta.or.kr/data/ttasDown.jsp?where=14688&pk_num=TTAT.3G-23.251(R10-10.3.0) |
| TTC | TS-3GA-23.251(Rel10)v10.5.0 | 10.5.0 | Approved | Jun 13 | http://www.ttc.or.jp/j/document_list/free/3gpps2013/TS/TS-3GA-23.251(Rel10)v10.5.0.pdf |
| Release 11 | | | | | |
| CCSA | CCSA-TSD-DS-23.251 | 11.6.0 | Published | Jun 14 | http://www.ccsa.org.cn/english/tc/files.php?docpath=/ITU-R/M.1457/M.1457-12/DS |
| ETSI | ETSI TS 123 251 | 11.5.0 | Published | Apr 13 | http://www.etsi.org/deliver/etsi_ts/123200_123299/123251/11.05.00_60/ |
| TTA | TTAT.3G-23.251(R11-11.5.0) | 11.5.0 | published | Aug 13 | http://www.tta.or.kr/data/ttasDown.jsp?where=14688&pk_num=TTAT.3G-23.251(R11-11.5.0) |
| TTC | TS-3GA-23.251(Rel11)v11.5.0 | 11.5.0 | Approved | Jun 13 | http://www.ttc.or.jp/j/document_list/free/3gpps2013/TS/TS-3GA-23.251(Rel11)v11.5.0.pdf |

5.1.2.13.77 TS 23.261

IP flow mobility and seamless Wireless Local Area Network (WLAN) offload; Stage 2

This document specifies the Stage 2 system description for IP flow mobility between a 3GPP and a WLAN. The technical solution is based on the working principles of DSMIPv6 and it is applicable to both the Evolved Packet System and the I-WLAN mobility architecture. The specification covers the system description of seamless WLAN offload and IP flow mobility between 3GPP and WLAN as well as the respective interactions with the PCC and ANDSF frameworks. The system description for non-seamless WLAN offload is covered in 3GPP TS 23.402. This document specifies also the detailed extensions to S2c and H1 reference points for IP flow mobility. The extensions to the PCC and to the ANDSF framework are specified respectively in 3GPP TS 23.203 and in 3GPP TS 23.402.

| SDO (2) | Document No. | Version | Status | Issued date | Location (1) |
|-------------------|-----------------------------|---------|-----------|-------------|---|
| Release 10 | | | | | |
| CCSA | CCSA-TSD-DS-23.261 | 10.1.0 | Published | Jun 12 | http://www.ccsa.org.cn/english/tc/files.php?docpath=/ITU-R/M.1457/M.1457-12/DS |
| ETSI | ETSI TS 123 261 | 10.2.0 | Published | Mar 12 | http://www.etsi.org/deliver/etsi_ts/123200_123299/123261/10.02.00_60/ |
| TTA | TTAT.3G-23.261(R10-10.2.0) | 10.2.0 | Approved | Aug 12 | http://www.tta.or.kr/data/ttasDown.jsp?where=14688&pk_num=TTAT.3G-23.261(R10-10.2.0) |
| TTC | TS-3GA-23.261(Rel10)v10.2.0 | 10.2.0 | Approved | Jun 12 | http://www.ttc.or.jp/j/document_list/free/3gpps2012/TS/TS-3GA-23.261(Rel10)v10.2.0.pdf |
| Release 11 | | | | | |
| CCSA | CCSA-TSD-DS-23.261 | 11.0.0 | Published | Jun 14 | http://www.ccsa.org.cn/english/tc/files.php?docpath=/ITU-R/M.1457/M.1457-12/DS |
| ETSI | ETSI TS 123 261 | 11.0.0 | Published | Sep 12 | http://www.etsi.org/deliver/etsi_ts/123200_123299/123261/11.00.00_60/ |
| TTA | TTAT.3G-23.261(R11-11.0.0) | 11.0.0 | published | Aug 13 | http://www.tta.or.kr/data/ttasDown.jsp?where=14688&pk_num=TTAT.3G-23.261(R11-11.0.0) |
| TTC | TS-3GA-23.261(Rel11)v11.0.0 | 11.0.0 | Approved | Jun 13 | http://www.ttc.or.jp/j/document_list/free/3gpps2013/TS/TS-3GA-23.261(Rel11)v11.0.0.pdf |

5.1.2.13.78 TS 23.271

Functional stage 2 description of Location Services (LCS)

This document specifies the stage 2 of the Location Services (LCS) feature in UMTS, GSM and EPS (for E-UTRAN), which provides the mechanisms to support mobile location services for operators, subscribers and third party service providers.

| SDO (2) | Document No. | Version | Status | Issued date | Location (1) |
|-------------------|-----------------------------|---------|-----------|-------------|---|
| Release 4 | | | | | |
| CCSA | CCSA-TSD-DS-23.271 | 4.13.0 | Published | Jun 12 | http://www.ccsa.org.cn/english/tc/files.php?docpath=/ITU-R/M.1457/M.1457-12/DS |
| ETSI | ETSI TS 123 271 | 4.13.0 | Published | Jan 05 | http://www.etsi.org/deliver/etsi_ts/123200_123299/123271/04.13.00_60/ |
| TTC | TS-3GA-23.271(Rel4)v4.13.0 | 4.13.0 | Approved | Mar 05 | http://www.ttc.or.jp/j/document_list/free/TS/TS-3GA-23.271(Rel4)v4.13.0.pdf |
| Release 5 | | | | | |
| CCSA | CCSA-TSD-DS-23.271 | 5.13.0 | Published | Jun 12 | http://www.ccsa.org.cn/english/tc/files.php?docpath=/ITU-R/M.1457/M.1457-12/DS |
| ETSI | ETSI TS 123 271 | 5.13.0 | Published | Jan 05 | http://www.etsi.org/deliver/etsi_ts/123200_123299/123271/05.13.00_60/ |
| TTC | TS-3GA-23.271(Rel5)v5.13.0 | 5.13.0 | Approved | Mar 05 | http://www.ttc.or.jp/j/document_list/free/TS/TS-3GA-23.271(Rel5)v5.13.0.pdf |
| Release 6 | | | | | |
| CCSA | CCSA-TSD-DS-23.271 | 6.13.0 | Published | Jun 12 | http://www.ccsa.org.cn/english/tc/files.php?docpath=/ITU-R/M.1457/M.1457-12/DS |
| ETSI | ETSI TS 123 271 | 6.13.0 | Published | Oct 05 | http://www.etsi.org/deliver/etsi_ts/123200_123299/123271/06.13.00_60/ |
| TTC | TS-3GA-23.271(Rel6)v6.13.0 | 6.13.0 | Approved | Nov 05 | http://www.ttc.or.jp/j/document_list/free/TS/TS-3GA-23.271(Rel6)v6.13.0.pdf |
| Release 7 | | | | | |
| CCSA | CCSA-TSD-DS-23.271 | 7.10.0 | Published | Jun 12 | http://www.ccsa.org.cn/english/tc/files.php?docpath=/ITU-R/M.1457/M.1457-12/DS |
| ETSI | ETSI TS 123 271 | 7.10.0 | Published | Jan 10 | http://www.etsi.org/deliver/etsi_ts/123200_123299/123271/07.10.00_60/ |
| TTC | TS-3GA-23.271(Rel7)v7.10.0 | 7.10.0 | Approved | Apr 10 | http://www.ttc.or.jp/j/document_list/free/3gpps2010/TS/TS-3GA-23.271(Rel7)v7.10.0.pdf |
| Release 8 | | | | | |
| CCSA | CCSA-TSD-DS-23.271 | 8.1.0 | Published | Jun 12 | http://www.ccsa.org.cn/english/tc/files.php?docpath=/ITU-R/M.1457/M.1457-12/DS |
| ETSI | ETSI TS 123 271 | 8.1.0 | Published | Jan 10 | http://www.etsi.org/deliver/etsi_ts/123200_123299/123271/08.01.00_60/ |
| TTC | TS-3GA-23.271(Rel8)v8.1.0 | 8.1.0 | Approved | Apr 10 | http://www.ttc.or.jp/j/document_list/free/3gpps2010/TS/TS-3GA-23.271(Rel8)v8.1.0.pdf |
| Release 9 | | | | | |
| CCSA | CCSA-TSD-DS-23.271 | 9.6.0 | Published | Jun 12 | http://www.ccsa.org.cn/english/tc/files.php?docpath=/ITU-R/M.1457/M.1457-12/DS |
| ETSI | ETSI TS 123 271 | 9.8.0 | Published | Apr 13 | http://www.etsi.org/deliver/etsi_ts/123200_123299/123271/09.08.00_60/ |
| TTC | TS-3GA-23.271(Rel9)v9.8.0 | 9.8.0 | Approved | Jun 13 | http://www.ttc.or.jp/j/document_list/free/3gpps2013/TS/TS-3GA-23.271(Rel9)v9.8.0.pdf |
| Release 10 | | | | | |
| CCSA | CCSA-TSD-DS-23.271 | 10.2.0 | Published | Jun 12 | http://www.ccsa.org.cn/english/tc/files.php?docpath=/ITU-R/M.1457/M.1457-12/DS |
| ETSI | ETSI TS 123 271 | 10.4.0 | Published | Apr 13 | http://www.etsi.org/deliver/etsi_ts/123200_123299/123271/10.04.00_60/ |
| TTA | TTAT.3G-23.271(R10-10.2.0) | 10.2.0 | Approved | Apr 12 | http://www.tta.or.kr/data/ttasDown.jsp?where=14688&pk_num=TTAT.3G-23.271(R10-10.2.0) |
| TTC | TS-3GA-23.271(Rel10)v10.4.0 | 10.4.0 | Approved | Jun 13 | http://www.ttc.or.jp/j/document_list/free/3gpps2013/TS/TS-3GA-23.271(Rel10)v10.4.0.pdf |
| Release 11 | | | | | |
| CCSA | CCSA-TSD-DS-23.271 | 11.3.0 | Published | Jun 14 | http://www.ccsa.org.cn/english/tc/files.php?docpath=/ITU-R/M.1457/M.1457-12/DS |
| ETSI | ETSI TS 123 271 | 11.2.0 | Published | Apr 13 | http://www.etsi.org/deliver/etsi_ts/123200_123299/123271/11.02.00_60/ |
| TTA | TTAT.3G-23.271(R11-11.2.0) | 11.2.0 | published | Aug 13 | http://www.tta.or.kr/data/ttasDown.jsp?where=14688&pk_num=TTAT.3G-23.271(R11-11.2.0) |
| TTC | TS-3GA-23.271(Rel11)v11.2.0 | 11.2.0 | Approved | Jun 13 | http://www.ttc.or.jp/j/document_list/free/3gpps2013/TS/TS-3GA-23.271(Rel11)v11.2.0.pdf |

5.1.2.13.79 TS 23.272**Circuit Switched (CS) fallback in Evolved Packet System (EPS); Stage 2**

This document defines the Stage 2 architecture and specification for the CS Fallback and for SMS over SGs for EPS or CS Fallback and SMS over S102. The scope of this document includes the architecture enhancements for functionality to enable fallback from E-UTRAN access to UTRAN/GERAN CS domain access and to CDMA 1x RTT CS domain access, and functionality to reuse of voice and other CS-domain services (e.g. CS UDI video/LCS/USSD) by reuse of the CS domain. The functionality specified to support SMS over SGs does not trigger any CS Fallback to UTRAN/GERAN. The functionality specified to support SMS over S102 does not trigger any CS Fallback to CDMA 1xRTT CS domain

| SDO (2) | Document No. | Version | Status | Issued date | Location (1) |
|-------------------|------------------------------|---------|-----------|-------------|---|
| Release 8 | | | | | |
| CCSA | CCSA-TSD-DS-23.272 | 8.10.0 | Published | Jun 12 | http://www.ccsa.org.cn/english/tc/files.php?docpath=/ITU-R/M.1457/M.1457-12/DS |
| ETSI | ETSI TS 123 272 | 8.12.0 | Published | Jul 12 | http://www.etsi.org/deliver/etsi_ts/123200_123299/123272/08.12.00_60/ |
| TTA | TTAT.3G-23.272(R8-8.3.0) | 8.3.0 | Approved | Jul 09 | http://www.tta.or.kr/data/ttasDown.jsp?where=14688&pk_num=TTAT.3G-23.272(R8-8.3.0) |
| TTC | TS-3GA-23.272(Rel8)v8.12.0 | 8.12.0 | Approved | Sep 12 | http://www.ttc.or.jp/j/document_list/free/3gpps2012/TS/TS-3GA-23.272(Rel8)v8.11.0.pdf |
| Release 9 | | | | | |
| CCSA | CCSA-TSD-DS-23.272 | 9.10.0 | Published | Jun 12 | http://www.ccsa.org.cn/english/tc/files.php?docpath=/ITU-R/M.1457/M.1457-12/DS |
| ETSI | ETSI TS 123 272 | 9.13.0 | Published | Jan 13 | http://www.etsi.org/deliver/etsi_ts/123200_123299/123272/09.13.00_60/ |
| TTA | TTAT.3G-23.272(R9-9.3.0) | 9.3.0 | Approved | Jul 10 | http://www.tta.or.kr/data/ttasDown.jsp?where=14688&pk_num=TTAT.3G-23.272(R9-9.3.0) |
| TTC | TS-3GA-23.272(Rel9)v9.13.0 | 9.13.0 | Approved | Jun 13 | http://www.ttc.or.jp/jp/document_list/free/3gpps2013/TS/TS-3GA-23.272(Rel9)v9.13.0.pdf |
| Release 10 | | | | | |
| CCSA | CCSA-TSD-DS-23.272 | 10.6.0 | Published | Jun 12 | http://www.ccsa.org.cn/english/tc/files.php?docpath=/ITU-R/M.1457/M.1457-12/DS |
| ETSI | ETSI TS 123 272 | 10.10.0 | Published | Apr 13 | http://www.etsi.org/deliver/etsi_ts/123200_123299/123272/10.10.00_60/ |
| TTA | TTAT.3G-23.272(R10-10.7.0) | 10.7.0 | Approved | Aug 12 | http://www.tta.or.kr/data/ttasDown.jsp?where=14688&pk_num=TTAT.3G-23.272(R10-10.7.0) |
| TTC | TS-3GA-23.272(Rel10)v10.10.0 | 10.10.0 | Approved | Jun 13 | http://www.ttc.or.jp/jp/document_list/free/3gpps2013/TS/TS-3GA-23.272(Rel10)v10.10.0.pdf |
| Release 11 | | | | | |
| CCSA | CCSA-TSD-DS-23.272 | 11.9.0 | Published | Jun 14 | http://www.ccsa.org.cn/english/tc/files.php?docpath=/ITU-R/M.1457/M.1457-12/DS |
| ETSI | ETSI TS 123 272 | 11.4.0 | Published | Apr 13 | http://www.etsi.org/deliver/etsi_ts/123200_123299/123272/11.04.00_60/ |
| TTA | TTAT.3G-23.272(R11-11.4.0) | 11.4.0 | published | Aug 13 | http://www.tta.or.kr/data/ttasDown.jsp?where=14688&pk_num=TTAT.3G-23.272(R11-11.4.0) |
| TTC | TS-3GA-23.272(Rel11)v11.4.0 | 11.4.0 | Approved | Jun 13 | http://www.ttc.or.jp/jp/document_list/free/3gpps2013/TS/TS-3GA-23.272(Rel11)v11.4.0.pdf |

5.1.2.13.80 TS 23.279**Combining Circuit Switched (CS) and IP Multimedia Subsystem (IMS) services; Stage 2**

This document provides architectural details to combine CS services and IMS services for using them in parallel between the same two users in a peer-to-peer context. The document provides a detailed description of how capabilities and identities are exchanged to enable the combination of CS and IMS services between the same two UEs

| SDO (2) | Document No. | Version | Status | Issued date | Location (1) |
|------------------|--------------------|---------|-----------|-------------|---|
| Release 7 | | | | | |
| CCSA | CCSA-TSD-DS-23.279 | 7.7.0 | Published | Jun 12 | http://www.ccsa.org.cn/english/tc/files.php?docpath=/ITU-R/M.1457/M.1457-12/DS |

| | | | | | |
|-------------------|-----------------------------|--------|-----------|--------|---|
| ETSI | ETSI TS 123 279 | 7.7.0 | Published | Oct 07 | http://www.etsi.org/deliver/etsi_ts/123200_123299/123279/07.07.00_60/ |
| TTC | TS-3GA-23.279(Rel7)v7.7.0 | 7.7.0 | Approved | Mar 08 | http://www.ttc.or.jp/j/document_list/free/TS/TS-3GA-23.279(Rel7)v7.7.0.pdf |
| Release 8 | | | | | |
| CCSA | CCSA-TSD-DS-23.279 | 8.1.0 | Published | Jun 12 | http://www.ccsa.org.cn/english/tc/files.php?docpath=/ITU-R/M.1457/M.1457-12/DS |
| ETSI | ETSI TS 123 279 | 8.1.0 | Published | Feb 09 | http://www.etsi.org/deliver/etsi_ts/123200_123299/123279/08.01.00_60/ |
| TTC | TS-3GA-23.279(Rel8)v8.1.0 | 8.1.0 | Approved | Feb 09 | http://www.ttc.or.jp/j/document_list/free/3gpps2009/TS/TS-3GA-23.279(Rel8)v8.1.0.pdf |
| Release 9 | | | | | |
| CCSA | CCSA-TSD-DS-23.279 | 9.0.0 | Published | Jun 12 | http://www.ccsa.org.cn/english/tc/files.php?docpath=/ITU-R/M.1457/M.1457-12/DS |
| ETSI | ETSI TS 123 279 | 9.0.0 | Published | Jan 10 | http://www.etsi.org/deliver/etsi_ts/123200_123299/123279/09.00.00_60/ |
| TTC | TS-3GA-23.279(Rel9)v9.0.0 | 9.0.0 | Approved | Jul 10 | http://www.ttc.or.jp/j/document_list/free/3gpps2010/TS/TS-3GA-23.279(Rel9)v9.0.0.pdf |
| Release 10 | | | | | |
| CCSA | CCSA-TSD-DS-23.279 | 10.0.0 | Published | Jun 12 | http://www.ccsa.org.cn/english/tc/files.php?docpath=/ITU-R/M.1457/M.1457-12/DS |
| ETSI | ETSI TS 123 279 | 10.0.0 | Published | Mar 11 | http://www.etsi.org/deliver/etsi_ts/123200_123299/123279/10.00.00_60/ |
| TTA | TTAT.3G-23.279(R10-10.0.0) | 10.0.0 | Approved | Apr 12 | http://www.tta.or.kr/data/ttasDown.jsp?where=14688&pk_num=TTAT.3G-23.279(R10-10.0.0) |
| TTC | TS-3GA-23.279(Rel10)v10.0.0 | 10.0.0 | Approved | Jun 11 | http://www.ttc.or.jp/j/document_list/free/3gpps2011/TS/TS-3GA-23.279(Rel10)v10.0.0.pdf |
| Release 11 | | | | | |
| CCSA | CCSA-TSD-DS-23.279 | 11.0.0 | Published | Jun 14 | http://www.ccsa.org.cn/english/tc/files.php?docpath=/ITU-R/M.1457/M.1457-12/DS |
| ETSI | ETSI TS 123 279 | 11.0.0 | Published | Sep 12 | http://www.etsi.org/deliver/etsi_ts/123200_123299/123279/11.00.00_60/ |
| TTA | TTAT.3G-23.279(R11-11.0.0) | 11.0.0 | published | Aug 13 | http://www.tta.or.kr/data/ttasDown.jsp?where=14688&pk_num=TTAT.3G-23.279(R11-11.0.0) |
| TTC | TS-3GA-23.279(Rel11)v11.0.0 | 11.0.0 | Approved | Jun 13 | http://www.ttc.or.jp/j/document_list/free/3gpps2013/TS/TS-3GA-23.279(Rel11)v11.0.0.pdf |

5.1.2.13.81 TS 23.292

IP Multimedia Subsystem (IMS) centralized services; Stage 2

This document specifies the architectural requirements for delivery of consistent services to the user regardless of the attached access type (e.g. CS domain access, or IP-CAN). This is achieved by implementing the services in the IP Multimedia Subsystem (IMS).

| SDO (2) | Document No. | Version | Status | Issued date | Location (1) |
|-------------------|-----------------------------|---------|-----------|-------------|---|
| Release 8 | | | | | |
| CCSA | CCSA-TSD-DS-23.292 | 8.8.0 | Published | Jun 12 | http://www.ccsa.org.cn/english/tc/files.php?docpath=/ITU-R/M.1457/M.1457-12/DS |
| ETSI | ETSI TS 123 292 | 8.8.0 | Published | Jun 10 | http://www.etsi.org/deliver/etsi_ts/123200_123299/123292/08.08.00_60/ |
| TTC | TS-3GA-23.292(Rel8)v8.8.0 | 8.8.0 | Approved | Oct 10 | http://www.ttc.or.jp/j/document_list/free/3gpps2010/TS/TS-3GA-23.292(Rel8)v8.8.0.pdf |
| Release 9 | | | | | |
| CCSA | CCSA-TSD-DS-23.292 | 9.8.0 | Published | Jun 12 | http://www.ccsa.org.cn/english/tc/files.php?docpath=/ITU-R/M.1457/M.1457-12/DS |
| ETSI | ETSI TS 123 292 | 9.8.0 | Published | Mar 11 | http://www.etsi.org/deliver/etsi_ts/123200_123299/123292/09.08.00_60/ |
| TTC | TS-3GA-23.292(Rel9)v9.8.0 | 9.8.0 | Approved | Jun 11 | http://www.ttc.or.jp/j/document_list/free/3gpps2011/TS/TS-3GA-23.292(Rel9)v9.8.0.pdf |
| Release 10 | | | | | |
| CCSA | CCSA-TSD-DS-23.292 | 10.4.0 | Published | Jun 12 | http://www.ccsa.org.cn/english/tc/files.php?docpath=/ITU-R/M.1457/M.1457-12/DS |
| ETSI | ETSI TS 123 292 | 10.5.0 | Published | Mar 12 | http://www.etsi.org/deliver/etsi_ts/123200_123299/123292/10.05.00_60/ |
| TTA | TTAT.3G-23.292(R10-10.5.0) | 10.5.0 | Approved | Aug 12 | http://www.tta.or.kr/data/ttasDown.jsp?where=14688&pk_num=TTAT.3G-23.292(R10-10.5.0) |
| TTC | TS-3GA-23.292(Rel10)v10.5.0 | 10.5.0 | Approved | Jun 12 | http://www.ttc.or.jp/j/document_list/free/3gpps2012/TS/TS-3GA-23.292(Rel10)v10.5.0.pdf |

Release 11

| | | | | | |
|------|-----------------------------|--------|-----------|--------|---|
| CCSA | CCSA-TSD-DS-23.292 | 11.8.0 | Published | Jun 14 | http://www.ccsa.org.cn/english/tc/files.php?docpath=/ITU-R/M.1457/M.1457-12/DS |
| ETSI | ETSI TS 123 292 | 11.5.0 | Published | Apr 13 | http://www.etsi.org/deliver/etsi_ts/123200_123299/123292/11.05.00_60/ |
| TTA | TTAT.3G-23.292(R11-11.5.0) | 11.5.0 | published | Aug 13 | http://www.tta.or.kr/data/ttasDown.jsp?where=14688&pk_num=TTAT.3G-23.292(R11-11.5.0) |
| TTC | TS-3GA-23.292(Rel11)v11.5.0 | 11.5.0 | Approved | Jun 13 | http://www.ttc.or.jp/jp/document_list/free/3gpps2013/TS/TS-3GA-23.292(Rel11)v11.5.0.pdf |

5.1.2.13.82 TS 23.327

Mobility between 3GPP-Wireless Local Area Network (WLAN) interworking and 3GPP systems

This document specifies the stage 2 system description for providing mobility between 3GPP Wireless Local Area Network Interworking (I WLAN) and 3GPP Systems. It is to define a technical solution based on the working principles of DSMIPv6 with necessary enhancement of the I WLAN architecture for supporting mobility and roaming between 3GPP WLAN Interworking system and 3GPP Systems so that ongoing 3GPP PS based services can be maintained with minimal impact on the end user's perceived quality on the services at a change of the access network (between I WLAN and 3GPP Access Systems).

| SDO (2) | Document No. | Version | Status | Issued date | Location (1) |
|-------------------|-----------------------------|---------|-----------|-------------|---|
| Release 8 | | | | | |
| ETSI | ETSI TS 123 327 | 8.4.0 | Published | Oct 09 | http://www.etsi.org/deliver/etsi_ts/123300_123399/123327/08.04.00_60/ |
| TTC | TS-3GA-23.327(Rel8)v8.4.0 | 8.4.0 | Approved | Dec 09 | http://www.ttc.or.jp/j/document_list/free/3gpps2009/TS/TS-3GA-23.327(Rel8)v8.4.0.pdf |
| Release 9 | | | | | |
| ETSI | ETSI TS 123 327 | 9.0.0 | Published | Jan 10 | http://www.etsi.org/deliver/etsi_ts/123300_123399/123327/09.00.00_60/ |
| TTC | TS-3GA-23.327(Rel9)v9.0.0 | 9.0.0 | Approved | Jul 10 | http://www.ttc.or.jp/j/document_list/free/3gpps2010/TS/TS-3GA-23.327(Rel9)v9.0.0.pdf |
| Release 10 | | | | | |
| ETSI | ETSI TS 123 327 | 10.0.0 | Published | Mar 11 | http://www.etsi.org/deliver/etsi_ts/123300_123399/123327/10.00.00_60/ |
| TTC | TS-3GA-23.327(Rel10)v10.0.0 | 10.0.0 | Approved | Jun 11 | http://www.ttc.or.jp/j/document_list/free/3gpps2011/TS/TS-3GA-23.327(Rel10)v10.0.0.pdf |
| Release 11 | | | | | |
| CCSA | CCSA-TSD-DS-23.327 | 11.0.0 | Published | Jun 14 | http://www.ccsa.org.cn/english/tc/files.php?docpath=/ITU-R/M.1457/M.1457-12/DS |
| CCSA | CCSA-TSD-DS-23.327 | 11.0.0 | Published | Jun 14 | http://www.ccsa.org.cn/english/tc/files.php?docpath=/ITU-R/M.1457/M.1457-12/DS |
| ETSI | ETSI TS 123 327 | 11.0.0 | Published | Nov 12 | http://www.etsi.org/deliver/etsi_ts/123300_123399/123327/11.00.00_60/ |
| TTA | TTAT.3G-23.327(R11-11.0.0) | 11.0.0 | published | Aug 13 | http://www.tta.or.kr/data/ttasDown.jsp?where=14688&pk_num=TTAT.3G-23.327(R11-11.0.0) |
| TTC | TS-3GA-23.327(Rel11)v11.0.0 | 11.0.0 | Approved | Jun 13 | http://www.ttc.or.jp/j/document_list/free/3gpps2013/TS/TS-3GA-23.327(Rel11)v11.0.0.pdf |

5.1.2.13.83 TS 23.401

General Packet Radio Service (GPRS) enhancements for Evolved Universal Terrestrial Radio Access Network (E-UTRAN) access

This Technical Specification defines the Stage 2 service description for the Evolved 3GPP Packet Switched Domain – also called the Evolved Packet System (EPS) in this document. The Evolved 3GPP Packet Switched Domain provides IP connectivity using the Evolved Universal Terrestrial Radio Access Network (E-UTRAN). The specification also covers mobility between E-UTRAN and pre-E-UTRAN 3GPP radio access technologies.

| SDO (2) | Document No. | Version | Status | Issued date | Location (1) |
|------------------|--------------------|---------|-----------|-------------|---|
| Release 8 | | | | | |
| CCSA | CCSA-TSD-DS-23.401 | 8.15.0 | Published | Jun 12 | http://www.ccsa.org.cn/english/tc/files.php?docpath=/ITU-R/M.1457/M.1457-12/DS |

| | | | | | |
|-------------------|------------------------------|---------|-----------|--------|---|
| ETSI | ETSI TS 123 401 | 8.18.0 | Published | Apr 13 | http://www.etsi.org/deliver/etsi_ts/123400_123499/123401/08.18.00_60/ |
| TTA | TTAT.3G-23.401(R8-8.5.0) | 8.5.0 | Approved | Jul 09 | http://www.tta.or.kr/data/ttasDown.jsp?where=14688&pk_num=TTAT.3G-23.401(R8-8.5.0) |
| TTC | TS-3GA-23.401(Rel8)v8.18.0 | 8.18.0 | Approved | Jun 13 | http://www.ttc.or.jp/j/document_list/free/3gpps2013/TS/TS-3GA-23.401(Rel8)v8.18.0.pdf |
| Release 9 | | | | | |
| CCSA | CCSA-TSD-DS-23.401 | 9.11.0 | Published | Jun 12 | http://www.ccsa.org.cn/english/tc/files.php?docpath=/ITU-R/M.1457/M.1457-12/DS |
| ETSI | ETSI TS 123 401 | 9.15.0 | Published | Apr 13 | http://www.etsi.org/deliver/etsi_ts/123400_123499/123401/09.15.00_60/ |
| TTA | TTAT.3G-23.401(R9-9.4.0) | 9.4.0 | Approved | Jul 10 | http://www.tta.or.kr/data/ttasDown.jsp?where=14688&pk_num=TTAT.3G-23.401(R9-9.4.0) |
| TTC | TS-3GA-23.401(Rel9)v9.15.0 | 9.15.0 | Approved | Jun 13 | http://www.ttc.or.jp/j/document_list/free/3gpps2013/TS/TS-3GA-23.401(Rel9)v9.15.0.pdf |
| Release 10 | | | | | |
| CCSA | CCSA-TSD-DS-23.401 | 10.6.0 | Published | Jun 12 | http://www.ccsa.org.cn/english/tc/files.php?docpath=/ITU-R/M.1457/M.1457-12/DS |
| ETSI | ETSI TS 123 401 | 10.10.0 | Published | Apr 13 | http://www.etsi.org/deliver/etsi_ts/123400_123499/123401/10.10.00_60/ |
| TTA | TTAT.3G-23.401(R10-10.7.0) | 10.7.0 | Approved | Aug 12 | http://www.tta.or.kr/data/ttasDown.jsp?where=14688&pk_num=TTAT.3G-23.401(R10-10.7.0) |
| TTC | TS-3GA-23.401(Rel10)v10.10.0 | 10.10.0 | Approved | Jun 13 | http://www.ttc.or.jp/j/document_list/free/3gpps2013/TS/TS-3GA-23.401(Rel10)v10.10.0.pdf |
| Release 11 | | | | | |
| CCSA | CCSA-TSD-DS-23.401 | 11.10.0 | Published | Jun 14 | http://www.ccsa.org.cn/english/tc/files.php?docpath=/ITU-R/M.1457/M.1457-12/DS |
| ETSI | ETSI TS 123 401 | 11.5.0 | Published | Apr 13 | http://www.etsi.org/deliver/etsi_ts/123400_123499/123401/11.05.00_60/ |
| TTA | TTAT.3G-23.401(R11-11.5.0) | 11.5.0 | published | Aug 13 | http://www.tta.or.kr/data/ttasDown.jsp?where=14688&pk_num=TTAT.3G-23.401(R11-11.5.0) |
| TTC | TS-3GA-23.401(Rel11)v11.5.0 | 11.5.0 | Approved | Jun 13 | http://www.ttc.or.jp/j/document_list/free/3gpps2013/TS/TS-3GA-23.401(Rel11)v11.5.0.pdf |

5.1.2.13.84 TS 23.402

Architecture enhancements for non-3GPP accesses

This Technical Specification defines the Stage 2 service description for providing IP connectivity using non-3GPP accesses to the Evolved 3GPP Packet Switched domain. In addition, for E-UTRAN and non-3GPP accesses, the specification describes the Evolved 3GPP PS Domain where the protocols between its Core Network elements are IETF based.

| SDO (2) | Document No. | Version | Status | Issued date | Location (1) |
|-------------------|----------------------------|---------|-----------|-------------|---|
| Release 8 | | | | | |
| CCSA | CCSA-TSD-DS-23.402 | 8.9.0 | Published | Jun 12 | http://www.ccsa.org.cn/english/tc/files.php?docpath=/ITU-R/M.1457/M.1457-12/DS |
| ETSI | ETSI TS 123 402 | 8.10.0 | Published | Mar 12 | http://www.etsi.org/deliver/etsi_ts/123400_123499/123402/08.10.00_60/ |
| TTA | TTAT.3G-23.402(R8-8.5.0) | 8.5.0 | Approved | Jul 09 | http://www.tta.or.kr/data/ttasDown.jsp?where=14688&pk_num=TTAT.3G-23.402(R8-8.5.0) |
| TTC | TS-3GA-23.402(Rel8)v8.10.0 | 8.10.0 | Approved | Jun 12 | http://www.ttc.or.jp/j/document_list/free/3gpps2012/TS/TS-3GA-23.402(Rel8)v8.10.0.pdf |
| Release 9 | | | | | |
| CCSA | CCSA-TSD-DS-23.402 | 9.11.0 | Published | Jun 12 | http://www.ccsa.org.cn/english/tc/files.php?docpath=/ITU-R/M.1457/M.1457-12/DS |
| ETSI | ETSI TS 123 402 | 9.12.0 | Published | Mar 12 | http://www.etsi.org/deliver/etsi_ts/123400_123499/123402/09.12.00_60/ |
| TTA | TTAT.3G-23.402(R9-9.4.0) | 9.4.0 | Approved | Jul 10 | http://www.tta.or.kr/data/ttasDown.jsp?where=14688&pk_num=TTAT.3G-23.402(R9-9.4.0) |
| TTC | TS-3GA-23.402(Rel9)v9.12.0 | 9.12.0 | Approved | Jun 12 | http://www.ttc.or.jp/j/document_list/free/3gpps2012/TS/TS-3GA-23.402(Rel9)v9.12.0.pdf |
| Release 10 | | | | | |
| CCSA | CCSA-TSD-DS-23.402 | 10.6.0 | Published | Jun 12 | http://www.ccsa.org.cn/english/tc/files.php?docpath=/ITU-R/M.1457/M.1457-12/DS |
| ETSI | ETSI TS 123 402 | 10.8.0 | Published | Sep 12 | http://www.etsi.org/deliver/etsi_ts/123400_123499/123402/10.08.00_60/ |
| TTA | TTAT.3G-23.402(R10-10.7.0) | 10.7.0 | Approved | Aug 12 | http://www.tta.or.kr/data/ttasDown.jsp?where=14688&pk_num=TTAT.3G-23.402(R10-10.7.0) |

| | | | | | |
|-------------------|-----------------------------|--------|-----------|--------|---|
| TTC | TS-3GA-23.402(Rel10)v10.8.0 | 10.8.0 | Approved | Dec 12 | http://www.ttc.or.jp/j/document_list/free/3gpps2012/TS/TS-3GA-23.402(Rel10)v10.8.0.pdf |
| Release 11 | | | | | |
| CCSA | CCSA-TSD-DS-23.402 | 11.9.0 | Published | Jun 14 | http://www.ccsa.org.cn/english/tc/files.php?docpath=/ITU-R/M.1457/M.1457-12/DS |
| ETSI | ETSI TS 123 402 | 11.6.0 | Published | Apr 13 | http://www.etsi.org/deliver/etsi_ts/123400_123499/123402/11.06.00_60/ |
| TTA | TTAT.3G-23.402(R11-11.6.0) | 11.6.0 | published | Aug 13 | http://www.tta.or.kr/data/ttasDown.jsp?where=14688&pk_num=TTAT.3G-23.402(R11-11.6.0) |
| TTC | TS-3GA-23.402(Rel11)v11.6.0 | 11.6.0 | Approved | Jun 13 | http://www.ttc.or.jp/j/document_list/free/3gpps2013/TS/TS-3GA-23.402(Rel11)v11.6.0.pdf |

5.1.2.13.85 TS 23.682

Architecture enhancements to facilitate communications with packet data networks and applications

This document specifies architecture enhancements to facilitate communications with packet data networks and applications (e.g. Machine Type Communication (MTC) applications on the (external) network/MTC servers) as per the use cases and service requirements defined in TS 22.368, TS 22.101 and related 3GPP requirements specifications. Both roaming and non-roaming scenarios are covered.

- Device triggering by applications/servers (e.g.: MTC applications on the (external) network/MTC servers).
- PS-Only support with and without MSISDN.

| SDO (2) | Document No. | Version | Status | Issued date | Location (1) |
|-------------------|-----------------------------|---------|-----------|-------------|---|
| Release 11 | | | | | |
| CCSA | CCSA-TSD-DS-23.682 | 11.5.0 | Published | Jun 14 | http://www.ccsa.org.cn/english/tc/files.php?docpath=/ITU-R/M.1457/M.1457-12/DS |
| ETSI | ETSI TS 123 682 | 11.3.0 | Published | Jan 13 | http://www.etsi.org/deliver/etsi_ts/123600_123699/123682/11.03.00_60/ |
| TTA | TTAT.3G-23.682(R11-11.3.0) | 11.3.0 | published | Aug 13 | http://www.tta.or.kr/data/ttasDown.jsp?where=14688&pk_num=TTAT.3G-23.682(R11-11.3.0) |
| TTC | TS-3GA-23.682(Rel11)v11.3.0 | 11.3.0 | Approved | Jun 13 | http://www.ttc.or.jp/j/document_list/free/3gpps2013/TS/TS-3GA-23.682(Rel11)v11.3.0.pdf |

5.1.2.13.86 TR 23.930

Iu principles

This specification describes the requirements on the Iu and studies relevant principles to guide further standardization of the related interface(s).

| SDO (2) | Document No. | Version | Status | Issued date | Location (1) |
|-------------------|---------------------------|---------|-----------|-------------|---|
| Release 99 | | | | | |
| CCSA | CCSA-TSD-DS-23.930 | 3.0.0 | Published | Feb 00 | http://www.ccsa.org.cn/english/tc/files.php?docpath=/ITU-R/M.1457/M.1457-12/DS |
| ETSI | ETSI TR 123 930 | 3.0.0 | Published | Feb 00 | http://www.etsi.org/deliver/etsi_tr/123900_123999/123930/03.00.00_60/ |
| TTA | TTAE.3G-23.930 | 3.0.0 | Approved | Jul 00 | http://www.tta.or.kr/data/ttasDown.jsp?where=14688&pk_num=TTAE.3G-23.930 |
| TTC | TR-3GA-23.930(R99)v3.0.0 | 3.0.0 | Approved | Feb 02 | http://www.ttc.or.jp/j/document_list/free/TR/TR-3GA-23.930(R99)v3.0.0.pdf |
| Release 4 | | | | | |
| CCSA | CCSA-TSD-DS-23.930 | 4.0.0 | Published | Apr 01 | http://www.ccsa.org.cn/english/tc/files.php?docpath=/ITU-R/M.1457/M.1457-12/DS |
| ETSI | ETSI TR 123 930 | 4.0.0 | Published | Apr 01 | http://www.etsi.org/deliver/etsi_tr/123900_123999/123930/04.00.00_60/ |
| TTA | TTAE.3G-23.930(R4-4.0.0) | 4.0.0 | Approved | Oct 02 | http://www.tta.or.kr/data/ttasDown.jsp?where=14688&pk_num=TTAE.3G-23.930(R4-4.0.0) |
| TTC | TR-3GA-23.930(Rel4)v4.0.0 | 4.0.0 | Approved | May 01 | http://www.ttc.or.jp/j/document_list/free/TR/TR-3GA-23.930(Rel4)v4.0.0.pdf |

5.1.2.13.87 TS 26.071

Mandatory speech CODEC speech processing functions; AMR speech Codec; General description

This specification describes an introduction to the set of the adaptive multi-rate (AMR) specifications.

| SDO (2) | Document No. | Version | Status | Issued date | Location (1) |
|-------------------|----------------------------|---------|-----------|-------------|---|
| Release 99 | | | | | |
| ARIB | ARIB STD-T63-26.071 | 3.0.1 | Approved | Jul 13 | http://www.arib.or.jp/english/html/overview/doc/STD-T63v10_00/2_T63/ARIB-STD-T63/R99/26/A26071-301.pdf |
| CCSA | CCSA-TSD-DS-26.071 | 3.0.1 | Published | Feb 00 | http://www.ccsa.org.cn/english/tc/files.php?docpath=/ITU-R/M.1457/M.1457-12/DS |
| ETSI | ETSI TS 126 071 | 3.0.1 | Published | Feb 00 | http://www.etsi.org/deliver/etsi_ts/126000_126099/126071/03.00.01_60/ |
| Release 4 | | | | | |
| ARIB | ARIB STD-T63-26.071 | 4.0.0 | Approved | Jul 13 | http://www.arib.or.jp/english/html/overview/doc/STD-T63v10_00/2_T63/ARIB-STD-T63/Rel4/26/A26071-400.pdf |
| CCSA | CCSA-TSD-DS-26.071 | 4.0.0 | Published | Apr 01 | http://www.ccsa.org.cn/english/tc/files.php?docpath=/ITU-R/M.1457/M.1457-12/DS |
| ETSI | ETSI TS 126 071 | 4.0.0 | Published | Apr 01 | http://www.etsi.org/deliver/etsi_ts/126000_126099/126071/04.00.00_60/ |
| Release 5 | | | | | |
| ARIB | ARIB STD-T63-26.071 | 5.0.0 | Approved | Jul 13 | http://www.arib.or.jp/english/html/overview/doc/STD-T63v10_00/2_T63/ARIB-STD-T63/Rel5/26/A26071-500.pdf |
| CCSA | CCSA-TSD-DS-26.071 | 5.0.0 | Published | Jul 02 | http://www.ccsa.org.cn/english/tc/files.php?docpath=/ITU-R/M.1457/M.1457-12/DS |
| ETSI | ETSI TS 126 071 | 5.0.0 | Published | Jul 02 | http://www.etsi.org/deliver/etsi_ts/126000_126099/126071/05.00.00_60/ |
| Release 6 | | | | | |
| ARIB | ARIB STD-T63-26.071 | 6.0.0 | Approved | Jul 13 | http://www.arib.or.jp/english/html/overview/doc/STD-T63v10_00/2_T63/ARIB-STD-T63/Rel6/26/A26071-600.pdf |
| CCSA | CCSA-TSD-DS-26.071 | 6.0.0 | Published | Jan 05 | http://www.ccsa.org.cn/english/tc/files.php?docpath=/ITU-R/M.1457/M.1457-12/DS |
| ETSI | ETSI TS 126 071 | 6.0.0 | Published | Jan 05 | http://www.etsi.org/deliver/etsi_ts/126000_126099/126071/06.00.00_60/ |
| Release 7 | | | | | |
| ARIB | ARIB STD-T63-26.071 | 7.0.1 | Approved | Jul 13 | http://www.arib.or.jp/english/html/overview/doc/STD-T63v10_00/2_T63/ARIB-STD-T63/Rel7/26/A26071-701.pdf |
| CCSA | CCSA-TSD-DS-26.071 | 7.0.1 | Published | Jul 07 | http://www.ccsa.org.cn/english/tc/files.php?docpath=/ITU-R/M.1457/M.1457-12/DS |
| ETSI | ETSI TS 126 071 | 7.0.1 | Published | Jul 07 | http://www.etsi.org/deliver/etsi_ts/126000_126099/126071/07.00.01_60/ |
| Release 8 | | | | | |
| ARIB | ARIB STD-T63-26.071 | 8.0.0 | Approved | Jul 13 | http://www.arib.or.jp/english/html/overview/doc/STD-T63v10_00/2_T63/ARIB-STD-T63/Rel8/26/A26071-800.pdf |
| CCSA | CCSA-TSD-DS-26.071 | 8.0.0 | Published | Jan 09 | http://www.ccsa.org.cn/english/tc/files.php?docpath=/ITU-R/M.1457/M.1457-12/DS |
| ETSI | ETSI TS 126 071 | 8.0.0 | Published | Jan 09 | http://www.etsi.org/deliver/etsi_ts/126000_126099/126071/08.00.00_60/ |
| TTA | TTAT.3G-26.071(R8-8.0.0) | 8.0.0 | Approved | Jul 09 | http://www.tta.or.kr/data/ttasDown.jsp?where=14688&pk_num=TTAT.3G-26.071(R8-8.0.0) |
| Release 9 | | | | | |
| ARIB | ARIB STD-T63-26.071 | 9.0.0 | Approved | Jul 13 | http://www.arib.or.jp/english/html/overview/doc/STD-T63v10_00/2_T63/ARIB-STD-T63/Rel9/26/A26071-900.pdf |
| CCSA | CCSA-TSD-DS-26.071 | 9.0.0 | Published | Mar 10 | http://www.ccsa.org.cn/english/tc/files.php?docpath=/ITU-R/M.1457/M.1457-12/DS |
| ETSI | ETSI TS 126 071 | 9.0.0 | Published | Jan 10 | http://www.etsi.org/deliver/etsi_ts/126000_126099/126071/09.00.00_60/ |
| TTA | TTAT.3G-26.071(R9-9.0.0) | 9.0.0 | Approved | Jul 10 | http://www.tta.or.kr/data/ttasDown.jsp?where=14688&pk_num=TTAT.3G-26.071(R9-9.0.0) |
| Release 10 | | | | | |
| ARIB | ARIB STD-T63-26.071 | 10.0.0 | Approved | Jul 13 | http://www.arib.or.jp/english/html/overview/doc/STD-T63v10_00/2_T63/ARIB-STD-T63/Rel10/26/A26071-a00.pdf |
| CCSA | CCSA-TSD-DS-26.071 | 10.0.0 | Published | Jun 12 | http://www.ccsa.org.cn/english/tc/files.php?docpath=/ITU-R/M.1457/M.1457-12/DS |
| ETSI | ETSI TS 126 071 | 10.0.0 | Published | Apr 11 | http://www.etsi.org/deliver/etsi_ts/126000_126099/126071/10.00.00_60/ |
| TTA | TTAT.3G-26.071(R10-10.0.0) | 10.0.0 | Approved | Apr 12 | http://www.tta.or.kr/data/ttasDown.jsp?where=14688&pk_num=TTAT.3G-26.071(R10-10.0.0) |
| Release 11 | | | | | |
| ARIB | ARIB STD-T63-26.071 | 11.0.0 | Approved | Jul 13 | http://www.arib.or.jp/english/html/overview/doc/STD-T63v10_00/2_T63/ARIB-STD-T63/Rel11/26/A26071-b00.pdf |

| | | | | | |
|------|----------------------------|--------|-----------|--------|---|
| CCSA | CCSA-TSD-DS-26.071 | 11.0.0 | Published | Jun 14 | http://www.ccsa.org.cn/english/tc/files.php?docpath=/ITU-R/M.1457/M.1457-12/DS |
| ETSI | ETSI TS 126 071 | 11.0.0 | Published | Oct 12 | http://www.etsi.org/deliver/etsi_ts/126000_126099/126071/11.00.00_60/ |
| TTA | TTAT.3G-26.071(R11-11.0.0) | 11.0.0 | published | Aug 13 | http://www.tta.or.kr/data/ttasDown.jsp?where=14688&pk_num=TTAT.3G-26.071(R11-11.0.0) |

5.1.2.13.88 TS 26.090

Mandatory Speech Codec speech processing functions; Adaptive Multi-Rate (AMR) speech codec; Transcoding functions

This specification describes a detailed description of the AMR speech codec transcoding functions.

| SDO (2) | Document No. | Version | Status | Issued date | Location (1) |
|-------------------|----------------------------|---------|-----------|-------------|---|
| Release 99 | | | | | |
| ARIB | ARIB STD-T63-26.090 | 3.1.0 | Approved | Jul 13 | http://www.arib.or.jp/english/html/overview/doc/STD-T63v10_00/2_T63/ARIB-STD-T63/R99/26/A26090-310.pdf |
| CCSA | CCSA-TSD-DS-26.090 | 3.1.0 | Published | Feb 00 | http://www.ccsa.org.cn/english/tc/files.php?docpath=/ITU-R/M.1457/M.1457-12/DS |
| ETSI | ETSI TS 126 090 | 3.1.0 | Published | Feb 00 | http://www.etsi.org/deliver/etsi_ts/126000_126099/126090/03.01.00_60/ |
| Release 4 | | | | | |
| ARIB | ARIB STD-T63-26.090 | 4.0.0 | Approved | Jul 13 | http://www.arib.or.jp/english/html/overview/doc/STD-T63v10_00/2_T63/ARIB-STD-T63/Rel4/26/A26090-400.pdf |
| CCSA | CCSA-TSD-DS-26.090 | 4.0.0 | Published | Apr 01 | http://www.ccsa.org.cn/english/tc/files.php?docpath=/ITU-R/M.1457/M.1457-12/DS |
| ETSI | ETSI TS 126 090 | 4.0.0 | Published | Apr 01 | http://www.etsi.org/deliver/etsi_ts/126000_126099/126090/04.00.00_60/ |
| Release 5 | | | | | |
| ARIB | ARIB STD-T63-26.090 | 5.0.0 | Approved | Jul 13 | http://www.arib.or.jp/english/html/overview/doc/STD-T63v10_00/2_T63/ARIB-STD-T63/Rel5/26/A26090-500.pdf |
| ETSI | ETSI TS 126 090 | 5.0.0 | Published | Jul 02 | http://www.etsi.org/deliver/etsi_ts/126000_126099/126090/05.00.00_60/ |
| Release 6 | | | | | |
| ARIB | ARIB STD-T63-26.090 | 6.0.0 | Approved | Jul 13 | http://www.arib.or.jp/english/html/overview/doc/STD-T63v10_00/2_T63/ARIB-STD-T63/Rel6/26/A26090-600.pdf |
| CCSA | CCSA-TSD-DS-26.090 | 6.0.0 | Published | Jan 05 | http://www.ccsa.org.cn/english/tc/files.php?docpath=/ITU-R/M.1457/M.1457-12/DS |
| ETSI | ETSI TS 126 090 | 6.0.0 | Published | Jan 05 | http://www.etsi.org/deliver/etsi_ts/126000_126099/126090/06.00.00_60/ |
| Release 7 | | | | | |
| ARIB | ARIB STD-T63-26.090 | 7.1.0 | Approved | Jul 13 | http://www.arib.or.jp/english/html/overview/doc/STD-T63v10_00/2_T63/ARIB-STD-T63/Rel7/26/A26090-710.pdf |
| CCSA | CCSA-TSD-DS-26.090 | 7.1.0 | Published | Mar 10 | http://www.ccsa.org.cn/english/tc/files.php?docpath=/ITU-R/M.1457/M.1457-12/DS |
| ETSI | ETSI TS 126 090 | 7.1.0 | Published | Jun 09 | http://www.etsi.org/deliver/etsi_ts/126000_126099/126090/07.01.00_60/ |
| Release 8 | | | | | |
| ARIB | ARIB STD-T63-26.090 | 8.1.0 | Approved | Jul 13 | http://www.arib.or.jp/english/html/overview/doc/STD-T63v10_00/2_T63/ARIB-STD-T63/Rel8/26/A26090-810.pdf |
| CCSA | CCSA-TSD-DS-26.090 | 8.1.0 | Published | Mar 10 | http://www.ccsa.org.cn/english/tc/files.php?docpath=/ITU-R/M.1457/M.1457-12/DS |
| ETSI | ETSI TS 126 090 | 8.1.0 | Published | Jun 09 | http://www.etsi.org/deliver/etsi_ts/126000_126099/126090/08.01.00_60/ |
| TTA | TTAT.3G-26.090(R8-8.0.0) | 8.0.0 | Approved | Jul 09 | http://www.tta.or.kr/data/ttasDown.jsp?where=14688&pk_num=TTAT.3G-26.090(R8-8.0.0) |
| Release 9 | | | | | |
| ARIB | ARIB STD-T63-26.090 | 9.1.0 | Approved | Jul 13 | http://www.arib.or.jp/english/html/overview/doc/STD-T63v10_00/2_T63/ARIB-STD-T63/Rel9/26/A26090-910.pdf |
| CCSA | CCSA-TSD-DS-26.090 | 9.1.0 | Published | Jun 12 | http://www.ccsa.org.cn/english/tc/files.php?docpath=/ITU-R/M.1457/M.1457-12/DS |
| ETSI | ETSI TS 126 090 | 9.1.0 | Published | Oct 11 | http://www.etsi.org/deliver/etsi_ts/126000_126099/126090/09.01.00_60/ |
| TTA | TTAT.3G-26.090(R9-9.0.0) | 9.0.0 | Approved | Jul 10 | http://www.tta.or.kr/data/ttasDown.jsp?where=14688&pk_num=TTAT.3G-26.090(R9-9.0.0) |
| Release 10 | | | | | |
| ARIB | ARIB STD-T63-26.090 | 10.1.0 | Approved | Jul 13 | http://www.arib.or.jp/english/html/overview/doc/STD-T63v10_00/2_T63/ARIB-STD-T63/Rel10/26/A26090-a10.pdf |
| CCSA | CCSA-TSD-DS-26.090 | 10.1.0 | Published | Jun 12 | http://www.ccsa.org.cn/english/tc/files.php?docpath=/ITU-R/M.1457/M.1457-12/DS |
| ETSI | ETSI TS 126 090 | 10.1.0 | Published | Oct 11 | http://www.etsi.org/deliver/etsi_ts/126000_126099/126090/10.01.00_60/ |
| TTA | TTAT.3G-26.090(R10-10.1.0) | 10.1.0 | Approved | Apr 12 | http://www.tta.or.kr/data/ttasDown.jsp?where=14688&pk_num=TTAT.3G-26.090(R10-10.1.0) |

Release 11

| | | | | | |
|------|----------------------------|--------|-----------|--------|---|
| ARIB | ARIB STD-T63-26.090 | 11.0.0 | Approved | Jul 13 | http://www.arib.or.jp/english/html/overview/doc/STD-T63v10_00/2_T63/ARIB-STD-T63/Rel11/26/A26090-b00.pdf |
| CCSA | CCSA-TSD-DS-26.090 | 11.0.0 | Published | Jun 14 | http://www.ccsa.org.cn/english/tc/files.php?docpath=/ITU-R/M.1457/M.1457-12/DS |
| ETSI | ETSI TS 126 090 | 11.0.0 | Published | Oct 12 | http://www.etsi.org/deliver/etsi_ts/126000_126099/126090/11.00.00_60/ |
| TTA | TTAT.3G-26.090(R11-11.0.0) | 11.0.0 | published | Aug 13 | http://www.tta.or.kr/data/ttasDown.jsp?where=14688&pk_num=TTAT.3G-26.090(R11-11.0.0) |

5.1.2.13.89 TS 26.091**Mandatory Speech Codec speech processing functions; Adaptive Multi-Rate (AMR) speech codec; Error concealment of lost frames**

This specification describes example procedures for the error concealment, also called frame substitution or muting procedure, of lost speech or silence indicator frames.

| SDO (2) | Document No. | Version | Status | Issued date | Location (1) |
|-------------------|--------------------------|---------|-----------|-------------|---|
| Release 99 | | | | | |
| ARIB | ARIB STD-T63-26.091 | 3.1.0 | Approved | Jul 13 | http://www.arib.or.jp/english/html/overview/doc/STD-T63v10_00/2_T63/ARIB-STD-T63/R99/26/A26091-310.pdf |
| CCSA | CCSA-TSD-DS-26.091 | 3.1.0 | Published | Feb 00 | http://www.ccsa.org.cn/english/tc/files.php?docpath=/ITU-R/M.1457/M.1457-12/DS |
| ETSI | ETSI TS 126 091 | 3.1.0 | Published | Feb 00 | http://www.etsi.org/deliver/etsi_ts/126000_126099/126091/03.01.00_60/ |
| Release 4 | | | | | |
| ARIB | ARIB STD-T63-26.091 | 4.0.0 | Approved | Jul 13 | http://www.arib.or.jp/english/html/overview/doc/STD-T63v10_00/2_T63/ARIB-STD-T63/Rel4/26/A26091-400.pdf |
| CCSA | CCSA-TSD-DS-26.091 | 4.0.0 | Published | Apr 01 | http://www.ccsa.org.cn/english/tc/files.php?docpath=/ITU-R/M.1457/M.1457-12/DS |
| ETSI | ETSI TS 126 091 | 4.0.0 | Published | Apr 01 | http://www.etsi.org/deliver/etsi_ts/126000_126099/126091/04.00.00_60/ |
| Release 5 | | | | | |
| ARIB | ARIB STD-T63-26.091 | 5.0.0 | Approved | Jul 13 | http://www.arib.or.jp/english/html/overview/doc/STD-T63v10_00/2_T63/ARIB-STD-T63/Rel5/26/A26091-500.pdf |
| CCSA | CCSA-TSD-DS-26.091 | 5.0.0 | Published | Jul 02 | http://www.ccsa.org.cn/english/tc/files.php?docpath=/ITU-R/M.1457/M.1457-12/DS |
| ETSI | ETSI TS 126 091 | 5.0.0 | Published | Jul 02 | http://www.etsi.org/deliver/etsi_ts/126000_126099/126091/05.00.00_60/ |
| Release 6 | | | | | |
| ARIB | ARIB STD-T63-26.091 | 6.0.0 | Approved | Jul 13 | http://www.arib.or.jp/english/html/overview/doc/STD-T63v10_00/2_T63/ARIB-STD-T63/Rel6/26/A26091-600.pdf |
| CCSA | CCSA-TSD-DS-26.091 | 6.0.0 | Published | Jan 05 | http://www.ccsa.org.cn/english/tc/files.php?docpath=/ITU-R/M.1457/M.1457-12/DS |
| ETSI | ETSI TS 126 091 | 6.0.0 | Published | Jan 05 | http://www.etsi.org/deliver/etsi_ts/126000_126099/126091/06.00.00_60/ |
| Release 7 | | | | | |
| ARIB | ARIB STD-T63-26.091 | 7.0.0 | Approved | Jul 13 | http://www.arib.or.jp/english/html/overview/doc/STD-T63v10_00/2_T63/ARIB-STD-T63/Rel7/26/A26091-700.pdf |
| CCSA | CCSA-TSD-DS-26.091 | 7.0.0 | Published | Jun 07 | http://www.ccsa.org.cn/english/tc/files.php?docpath=/ITU-R/M.1457/M.1457-12/DS |
| ETSI | ETSI TS 126 091 | 7.0.0 | Published | Jun 07 | http://www.etsi.org/deliver/etsi_ts/126000_126099/126091/07.00.00_60/ |
| Release 8 | | | | | |
| ARIB | ARIB STD-T63-26.091 | 8.0.0 | Approved | Jul 13 | http://www.arib.or.jp/english/html/overview/doc/STD-T63v10_00/2_T63/ARIB-STD-T63/Rel8/26/A26091-800.pdf |
| CCSA | CCSA-TSD-DS-26.091 | 8.0.0 | Published | Jan 09 | http://www.ccsa.org.cn/english/tc/files.php?docpath=/ITU-R/M.1457/M.1457-12/DS |
| ETSI | ETSI TS 126 091 | 8.0.0 | Published | Jan 09 | http://www.etsi.org/deliver/etsi_ts/126000_126099/126091/08.00.00_60/ |
| TTA | TTAT.3G-26.091(R8-8.0.0) | 8.0.0 | Approved | Jul 09 | http://www.tta.or.kr/data/ttasDown.jsp?where=14688&pk_num=TTAT.3G-26.091(R8-8.0.0) |
| Release 9 | | | | | |
| ARIB | ARIB STD-T63-26.091 | 9.0.0 | Approved | Jul 13 | http://www.arib.or.jp/english/html/overview/doc/STD-T63v10_00/2_T63/ARIB-STD-T63/Rel9/26/A26091-900.pdf |
| CCSA | CCSA-TSD-DS-26.091 | 9.0.0 | Published | Mar 10 | http://www.ccsa.org.cn/english/tc/files.php?docpath=/ITU-R/M.1457/M.1457-12/DS |
| ETSI | ETSI TS 126 091 | 9.0.0 | Published | Jan 10 | http://www.etsi.org/deliver/etsi_ts/126000_126099/126091/09.00.00_60/ |
| TTA | TTAT.3G-26.091(R9-9.0.0) | 9.0.0 | Approved | Jul 10 | http://www.tta.or.kr/data/ttasDown.jsp?where=14688&pk_num=TTAT.3G-26.091(R9-9.0.0) |

Release 10

| | | | | | |
|------|----------------------------|--------|-----------|--------|---|
| ARIB | ARIB STD-T63-26.091 | 10.0.0 | Approved | Jul 13 | http://www.arib.or.jp/english/html/overview/doc/STD-T63v10_00/2_T63/ARIB-STD-T63/Rel10/26/A26091-a00.pdf |
| CCSA | CCSA-TSD-DS-26.091 | 10.0.0 | Published | Jun 12 | http://www.ccsa.org.cn/english/tc/files.php?docpath=/ITU-R/M.1457/M.1457-12/DS |
| ETSI | ETSI TS 126 091 | 10.0.0 | Published | Apr 11 | http://www.etsi.org/deliver/etsi_ts/126000_126099/126091/10.00.00_60/ |
| TTA | TTAT.3G-26.091(R10-10.0.0) | 10.0.0 | Approved | Apr 12 | http://www.tta.or.kr/data/ttasDown.jsp?where=14688&pk_num=TTAT.3G-26.091(R10-10.0.0) |

Release 11

| | | | | | |
|------|----------------------------|--------|-----------|--------|---|
| ARIB | ARIB STD-T63-26.091 | 11.0.0 | Approved | Jul 13 | http://www.arib.or.jp/english/html/overview/doc/STD-T63v10_00/2_T63/ARIB-STD-T63/Rel11/26/A26091-b00.pdf |
| CCSA | CCSA-TSD-DS-26.091 | 11.0.0 | Published | Jun 14 | http://www.ccsa.org.cn/english/tc/files.php?docpath=/ITU-R/M.1457/M.1457-12/DS |
| ETSI | ETSI TS 126 091 | 11.0.0 | Published | Oct 12 | http://www.etsi.org/deliver/etsi_ts/126000_126099/126091/11.00.00_60/ |
| TTA | TTAT.3G-26.091(R11-11.0.0) | 11.0.0 | published | Aug 13 | http://www.tta.or.kr/data/ttasDown.jsp?where=14688&pk_num=TTAT.3G-26.091(R11-11.0.0) |

5.1.2.13.90 TS 26.092**Mandatory speech codec speech processing functions; Adaptive Multi-Rate (AMR) speech codec; Comfort noise aspects**

This specification describes the detailed requirements for the correct operation of the background acoustic noise evaluation, noise parameter encoding/decoding and comfort noise generation for the AMR speech codec during source controlled rate (SCR) operation.

| SDO (2) | Document No. | Version | Status | Issued date | Location (1) |
|-------------------|--------------------------|---------|-----------|-------------|---|
| Release 99 | | | | | |
| ARIB | ARIB STD-T63-26.092 | 3.0.1 | Approved | Jul 13 | http://www.arib.or.jp/english/html/overview/doc/STD-T63v10_00/2_T63/ARIB-STD-T63/R99/26/A26092-301.pdf |
| CCSA | CCSA-TSD-DS-26.092 | 3.0.1 | Published | Feb 00 | http://www.ccsa.org.cn/english/tc/files.php?docpath=/ITU-R/M.1457/M.1457-12/DS |
| ETSI | ETSI TS 126 092 | 3.0.1 | Published | Feb 00 | http://www.etsi.org/deliver/etsi_ts/126000_126099/126092/03.00.01_60/ |
| Release 4 | | | | | |
| ARIB | ARIB STD-T63-26.092 | 4.0.0 | Approved | Jul 13 | http://www.arib.or.jp/english/html/overview/doc/STD-T63v10_00/2_T63/ARIB-STD-T63/Rel4/26/A26092-400.pdf |
| CCSA | CCSA-TSD-DS-26.092 | 4.0.0 | Published | Apr 01 | http://www.ccsa.org.cn/english/tc/files.php?docpath=/ITU-R/M.1457/M.1457-12/DS |
| ETSI | ETSI TS 126 092 | 4.0.0 | Published | Apr 01 | http://www.etsi.org/deliver/etsi_ts/126000_126099/126092/04.00.00_60/ |
| Release 5 | | | | | |
| ARIB | ARIB STD-T63-26.092 | 5.0.0 | Approved | Jul 13 | http://www.arib.or.jp/english/html/overview/doc/STD-T63v10_00/2_T63/ARIB-STD-T63/Rel5/26/A26092-500.pdf |
| CCSA | CCSA-TSD-DS-26.092 | 5.0.0 | Published | Jul 02 | http://www.ccsa.org.cn/english/tc/files.php?docpath=/ITU-R/M.1457/M.1457-12/DS |
| ETSI | ETSI TS 126 092 | 5.0.0 | Published | Jul 02 | http://www.etsi.org/deliver/etsi_ts/126000_126099/126092/05.00.00_60/ |
| Release 6 | | | | | |
| ARIB | ARIB STD-T63-26.092 | 6.0.0 | Approved | Jul 13 | http://www.arib.or.jp/english/html/overview/doc/STD-T63v10_00/2_T63/ARIB-STD-T63/Rel6/26/A26092-600.pdf |
| CCSA | CCSA-TSD-DS-26.092 | 6.0.0 | Published | Jan 05 | http://www.ccsa.org.cn/english/tc/files.php?docpath=/ITU-R/M.1457/M.1457-12/DS |
| ETSI | ETSI TS 126 092 | 6.0.0 | Published | Jan 05 | http://www.etsi.org/deliver/etsi_ts/126000_126099/126092/06.00.00_60/ |
| Release 7 | | | | | |
| ARIB | ARIB STD-T63-26.092 | 7.0.0 | Approved | Jul 13 | http://www.arib.or.jp/english/html/overview/doc/STD-T63v10_00/2_T63/ARIB-STD-T63/Rel7/26/A26092-700.pdf |
| CCSA | CCSA-TSD-DS-26.092 | 7.0.0 | Published | Jun 07 | http://www.ccsa.org.cn/english/tc/files.php?docpath=/ITU-R/M.1457/M.1457-12/DS |
| ETSI | ETSI TS 126 092 | 7.0.0 | Published | Jun 07 | http://www.etsi.org/deliver/etsi_ts/126000_126099/126092/07.00.00_60/ |
| Release 8 | | | | | |
| ARIB | ARIB STD-T63-26.092 | 8.0.0 | Approved | Jul 13 | http://www.arib.or.jp/english/html/overview/doc/STD-T63v10_00/2_T63/ARIB-STD-T63/Rel8/26/A26092-800.pdf |
| CCSA | CCSA-TSD-DS-26.092 | 8.0.0 | Published | Jan 09 | http://www.ccsa.org.cn/english/tc/files.php?docpath=/ITU-R/M.1457/M.1457-12/DS |
| ETSI | ETSI TS 126 092 | 8.0.0 | Published | Jan 09 | http://www.etsi.org/deliver/etsi_ts/126000_126099/126092/08.00.00_60/ |
| TTA | TTAT.3G-26.092(R8-8.0.0) | 8.0.0 | Approved | Jul 09 | http://www.tta.or.kr/data/ttasDown.jsp?where=14688&pk_num=TTAT.3G-26.092(R8-8.0.0) |

Release 9

| | | | | | |
|------|--------------------------|-------|-----------|--------|---|
| ARIB | ARIB STD-T63-26.092 | 9.0.0 | Approved | Jul 13 | http://www.arib.or.jp/english/html/overview/doc/STD-T63v10_00/2_T63/ARIB-STD-T63/Rel9/26/A26092-900.pdf |
| CCSA | CCSA-TSD-DS-26.092 | 9.0.0 | Published | Mar 10 | http://www.ccsa.org.cn/english/tc/files.php?docpath=/ITU-R/M.1457/M.1457-12/DS |
| ETSI | ETSI TS 126 092 | 9.0.0 | Published | Jan 10 | http://www.etsi.org/deliver/etsi_ts/126000_126099/126092/09.00.00_60/ |
| TTA | TTAT.3G-26.092(R9-9.0.0) | 9.0.0 | Approved | Jul 10 | http://www.tta.or.kr/data/ttasDown.jsp?where=14688&pk_num=TTAT.3G-26.092(R9-9.0.0) |

Release 10

| | | | | | |
|------|----------------------------|--------|-----------|--------|---|
| ARIB | ARIB STD-T63-26.092 | 10.0.0 | Approved | Jul 13 | http://www.arib.or.jp/english/html/overview/doc/STD-T63v10_00/2_T63/ARIB-STD-T63/Rel10/26/A26092-a00.pdf |
| CCSA | CCSA-TSD-DS-26.092 | 10.0.0 | Published | Jun 12 | http://www.ccsa.org.cn/english/tc/files.php?docpath=/ITU-R/M.1457/M.1457-12/DS |
| ETSI | ETSI TS 126 092 | 10.0.0 | Published | Apr 11 | http://www.etsi.org/deliver/etsi_ts/126000_126099/126092/10.00.00_60/ |
| TTA | TTAT.3G-26.092(R10-10.0.0) | 10.0.0 | Approved | Apr 12 | http://www.tta.or.kr/data/ttasDown.jsp?where=14688&pk_num=TTAT.3G-26.092(R10-10.0.0) |

Release 11

| | | | | | |
|------|----------------------------|--------|-----------|--------|---|
| ARIB | ARIB STD-T63-26.092 | 11.0.0 | Approved | Jul 13 | http://www.arib.or.jp/english/html/overview/doc/STD-T63v10_00/2_T63/ARIB-STD-T63/Rel11/26/A26092-b00.pdf |
| CCSA | CCSA-TSD-DS-26.092 | 11.0.0 | Published | Jun 14 | http://www.ccsa.org.cn/english/tc/files.php?docpath=/ITU-R/M.1457/M.1457-12/DS |
| ETSI | ETSI TS 126 092 | 11.0.0 | Published | Oct 12 | http://www.etsi.org/deliver/etsi_ts/126000_126099/126092/11.00.00_60/ |
| TTA | TTAT.3G-26.092(R11-11.0.0) | 11.0.0 | published | Aug 13 | http://www.tta.or.kr/data/ttasDown.jsp?where=14688&pk_num=TTAT.3G-26.092(R11-11.0.0) |

5.1.2.13.91 TS 26.093**Mandatory speech codec speech processing functions; Adaptive Multi-Rate (AMR) speech codec; Source controlled rate operation**

This specification describes the operation of the AMR speech codec during SCR operation.

| SDO (2) | Document No. | Version | Status | Issued date | Location (1) |
|-------------------|---------------------|---------|-----------|-------------|---|
| Release 99 | | | | | |
| ARIB | ARIB STD-T63-26.093 | 3.3.0 | Approved | Jul 13 | http://www.arib.or.jp/english/html/overview/doc/STD-T63v10_00/2_T63/ARIB-STD-T63/R99/26/A26093-330.pdf |
| CCSA | CCSA-TSD-DS-26.093 | 3.3.0 | Published | Feb 01 | http://www.ccsa.org.cn/english/tc/files.php?docpath=/ITU-R/M.1457/M.1457-12/DS |
| ETSI | ETSI TS 126 093 | 3.3.0 | Published | Feb 01 | http://www.etsi.org/deliver/etsi_ts/126000_126099/126093/03.03.00_60/ |
| Release 4 | | | | | |
| ARIB | ARIB STD-T63-26.093 | 4.0.0 | Approved | Jul 13 | http://www.arib.or.jp/english/html/overview/doc/STD-T63v10_00/2_T63/ARIB-STD-T63/Rel4/26/A26093-400.pdf |
| CCSA | CCSA-TSD-DS-26.093 | 4.0.0 | Published | Aug 02 | http://www.ccsa.org.cn/english/tc/files.php?docpath=/ITU-R/M.1457/M.1457-12/DS |
| ETSI | ETSI TS 126 093 | 4.0.0 | Published | Aug 02 | http://www.etsi.org/deliver/etsi_ts/126000_126099/126093/04.00.00_60/ |
| Release 5 | | | | | |
| ARIB | ARIB STD-T63-26.093 | 5.2.0 | Approved | Jul 13 | http://www.arib.or.jp/english/html/overview/doc/STD-T63v10_00/2_T63/ARIB-STD-T63/Rel5/26/A26093-520.pdf |
| CCSA | CCSA-TSD-DS-26.093 | 5.2.0 | Published | Jan 03 | http://www.ccsa.org.cn/english/tc/files.php?docpath=/ITU-R/M.1457/M.1457-12/DS |
| ETSI | ETSI TS 126 093 | 5.2.0 | Published | Jan 03 | http://www.etsi.org/deliver/etsi_ts/126000_126099/126093/05.02.00_60/ |
| Release 6 | | | | | |
| ARIB | ARIB STD-T63-26.093 | 6.1.0 | Approved | Jul 13 | http://www.arib.or.jp/english/html/overview/doc/STD-T63v10_00/2_T63/ARIB-STD-T63/Rel6/26/A26093-610.pdf |
| CCSA | CCSA-TSD-DS-26.093 | 6.1.0 | Published | Jul 06 | http://www.ccsa.org.cn/english/tc/files.php?docpath=/ITU-R/M.1457/M.1457-12/DS |
| ETSI | ETSI TS 126 093 | 6.1.0 | Published | Jul 06 | http://www.etsi.org/deliver/etsi_ts/126000_126099/126093/06.01.00_60/ |
| Release 7 | | | | | |
| ARIB | ARIB STD-T63-26.093 | 7.0.0 | Approved | Jul 13 | http://www.arib.or.jp/english/html/overview/doc/STD-T63v10_00/2_T63/ARIB-STD-T63/Rel7/26/A26093-700.pdf |
| CCSA | CCSA-TSD-DS-26.093 | 7.0.0 | Published | Jun 07 | http://www.ccsa.org.cn/english/tc/files.php?docpath=/ITU-R/M.1457/M.1457-12/DS |
| ETSI | ETSI TS 126 093 | 7.0.0 | Published | Jun 07 | http://www.etsi.org/deliver/etsi_ts/126000_126099/126093/07.00.00_60/ |

Release 8

| | | | | | |
|------|--------------------------|-------|-----------|--------|---|
| ARIB | ARIB STD-T63-26.093 | 8.0.0 | Approved | Jul 13 | http://www.arib.or.jp/english/html/overview/doc/STD-T63v10_00/2_T63/ARIB-STD-T63/Rel8/26/A26093-800.pdf |
| CCSA | CCSA-TSD-DS-26.093 | 8.0.0 | Published | Jan 09 | http://www.ccsa.org.cn/english/tc/files.php?docpath=/ITU-R/M.1457/M.1457-12/DS |
| ETSI | ETSI TS 126 093 | 8.0.0 | Published | Jan 09 | http://www.etsi.org/deliver/etsi_ts/126000_126099/126093/08.00.00_60/ |
| TTA | TTAT.3G-26.093(R8-8.0.0) | 8.0.0 | Approved | Jul 09 | http://www.tta.or.kr/data/ttasDown.jsp?where=14688&pk_num=TTAT.3G-26.093(R8-8.0.0) |

Release 9

| | | | | | |
|------|--------------------------|-------|-----------|--------|---|
| ARIB | ARIB STD-T63-26.093 | 9.0.0 | Approved | Jul 13 | http://www.arib.or.jp/english/html/overview/doc/STD-T63v10_00/2_T63/ARIB-STD-T63/Rel9/26/A26093-900.pdf |
| CCSA | CCSA-TSD-DS-26.093 | 9.0.0 | Published | Mar 10 | http://www.ccsa.org.cn/english/tc/files.php?docpath=/ITU-R/M.1457/M.1457-12/DS |
| ETSI | ETSI TS 126 093 | 9.0.0 | Published | Jan 10 | http://www.etsi.org/deliver/etsi_ts/126000_126099/126093/09.00.00_60/ |
| TTA | TTAT.3G-26.093(R9-9.0.0) | 9.0.0 | Approved | Jul 10 | http://www.tta.or.kr/data/ttasDown.jsp?where=14688&pk_num=TTAT.3G-26.093(R9-9.0.0) |

Release 10

| | | | | | |
|------|----------------------------|--------|-----------|--------|---|
| ARIB | ARIB STD-T63-26.093 | 10.0.0 | Approved | Jul 13 | http://www.arib.or.jp/english/html/overview/doc/STD-T63v10_00/2_T63/ARIB-STD-T63/Rel10/26/A26093-a00.pdf |
| CCSA | CCSA-TSD-DS-26.093 | 10.0.0 | Published | Jun 12 | http://www.ccsa.org.cn/english/tc/files.php?docpath=/ITU-R/M.1457/M.1457-12/DS |
| ETSI | ETSI TS 126 093 | 10.0.0 | Published | Apr 11 | http://www.etsi.org/deliver/etsi_ts/126000_126099/126093/10.00.00_60/ |
| TTA | TTAT.3G-26.093(R10-10.0.0) | 10.0.0 | Approved | Apr 12 | http://www.tta.or.kr/data/ttasDown.jsp?where=14688&pk_num=TTAT.3G-26.093(R10-10.0.0) |

Release 11

| | | | | | |
|------|----------------------------|--------|-----------|--------|---|
| ARIB | ARIB STD-T63-26.093 | 11.0.0 | Approved | Jul 13 | http://www.arib.or.jp/english/html/overview/doc/STD-T63v10_00/2_T63/ARIB-STD-T63/Rel11/26/A26093-b00.pdf |
| CCSA | CCSA-TSD-DS-26.093 | 11.0.0 | Published | Jun 14 | http://www.ccsa.org.cn/english/tc/files.php?docpath=/ITU-R/M.1457/M.1457-12/DS |
| ETSI | ETSI TS 126 093 | 11.0.0 | Published | Oct 12 | http://www.etsi.org/deliver/etsi_ts/126000_126099/126093/11.00.00_60/ |
| TTA | TTAT.3G-26.093(R11-11.0.0) | 11.0.0 | published | Aug 13 | http://www.tta.or.kr/data/ttasDown.jsp?where=14688&pk_num=TTAT.3G-26.093(R11-11.0.0) |

5.1.2.13.92 TS 26.094**Mandatory speech codec speech processing functions; Adaptive Multi-Rate (AMR) speech codec; Voice Activity Detector (VAD)**

| SDO (2) | Document No. | Version | Status | Issued date | Location (1) |
|-------------------|---------------------|---------|-----------|-------------|---|
| Release 99 | | | | | |
| ARIB | ARIB STD-T63-26.094 | 3.0.0 | Approved | Jul 13 | http://www.arib.or.jp/english/html/overview/doc/STD-T63v10_00/2_T63/ARIB-STD-T63/R99/26/A26094-300.pdf |
| CCSA | CCSA-TSD-DS-26.094 | 3.0.0 | Published | Feb 00 | http://www.ccsa.org.cn/english/tc/files.php?docpath=/ITU-R/M.1457/M.1457-12/DS |
| ETSI | ETSI TS 126 094 | 3.0.0 | Published | Feb 00 | http://www.etsi.org/deliver/etsi_ts/126000_126099/126094/03.00.00_60/ |
| Release 4 | | | | | |
| ARIB | ARIB STD-T63-26.094 | 4.0.0 | Approved | Jul 13 | http://www.arib.or.jp/english/html/overview/doc/STD-T63v10_00/2_T63/ARIB-STD-T63/Rel4/26/A26094-400.pdf |
| CCSA | CCSA-TSD-DS-26.094 | 4.0.0 | Published | Apr 01 | http://www.ccsa.org.cn/english/tc/files.php?docpath=/ITU-R/M.1457/M.1457-12/DS |
| ETSI | ETSI TS 126 094 | 4.0.0 | Published | Apr 01 | http://www.etsi.org/deliver/etsi_ts/126000_126099/126094/04.00.00_60/ |
| Release 5 | | | | | |
| ARIB | ARIB STD-T63-26.094 | 5.0.0 | Approved | Jul 13 | http://www.arib.or.jp/english/html/overview/doc/STD-T63v10_00/2_T63/ARIB-STD-T63/Rel5/26/A26094-500.pdf |
| CCSA | CCSA-TSD-DS-26.094 | 5.0.0 | Published | Jul 02 | http://www.ccsa.org.cn/english/tc/files.php?docpath=/ITU-R/M.1457/M.1457-12/DS |
| ETSI | ETSI TS 126 094 | 5.0.0 | Published | Jul 02 | http://www.etsi.org/deliver/etsi_ts/126000_126099/126094/05.00.00_60/ |
| Release 6 | | | | | |
| ARIB | ARIB STD-T63-26.094 | 6.1.0 | Approved | Jul 13 | http://www.arib.or.jp/english/html/overview/doc/STD-T63v10_00/2_T63/ARIB-STD-T63/Rel6/26/A26094-610.pdf |
| CCSA | CCSA-TSD-DS-26.094 | 6.1.0 | Published | Jul 06 | http://www.ccsa.org.cn/english/tc/files.php?docpath=/ITU-R/M.1457/M.1457-12/DS |
| ETSI | ETSI TS 126 094 | 6.1.0 | Published | Jul 06 | http://www.etsi.org/deliver/etsi_ts/126000_126099/126094/06.01.00_60/ |
| Release 7 | | | | | |
| ARIB | ARIB STD-T63-26.094 | 7.0.0 | Approved | Jul 13 | http://www.arib.or.jp/english/html/overview/doc/STD-T63v10_00/2_T63/ARIB-STD-T63/Rel7/26/A26094-700.pdf |

| | | | | | |
|-------------------|----------------------------|--------|-----------|--------|---|
| CCSA | CCSA-TSD-DS-26.094 | 7.0.0 | Published | Jun 07 | http://www.ccsa.org.cn/english/tc/files.php?docpath=/ITU-R/M.1457/M.1457-12/DS |
| ETSI | ETSI TS 126 094 | 7.0.0 | Published | Jun 07 | http://www.etsi.org/deliver/etsi_ts/126000_126099/126094/07.00.00_60/ |
| Release 8 | | | | | |
| ARIB | ARIB STD-T63-26.094 | 8.0.0 | Approved | Jul 13 | http://www.arib.or.jp/english/html/overview/doc/STD-T63v10_00/2_T63/ARIB-STD-T63/Rel8/26/A26094-800.pdf |
| CCSA | CCSA-TSD-DS-26.094 | 8.0.0 | Published | Jan 09 | http://www.ccsa.org.cn/english/tc/files.php?docpath=/ITU-R/M.1457/M.1457-12/DS |
| ETSI | ETSI TS 126 094 | 8.0.0 | Published | Jan 09 | http://www.etsi.org/deliver/etsi_ts/126000_126099/126094/08.00.00_60/ |
| TTA | TTAT.3G-26.094(R8-8.0.0) | 8.0.0 | Approved | Jul 09 | http://www.tta.or.kr/data/ttasDown.jsp?where=14688&pk_num=TTAT.3G-26.094(R8-8.0.0) |
| Release 9 | | | | | |
| ARIB | ARIB STD-T63-26.094 | 9.0.0 | Approved | Jul 13 | http://www.arib.or.jp/english/html/overview/doc/STD-T63v10_00/2_T63/ARIB-STD-T63/Rel9/26/A26094-900.pdf |
| CCSA | CCSA-TSD-DS-26.094 | 9.0.0 | Published | Mar 10 | http://www.ccsa.org.cn/english/tc/files.php?docpath=/ITU-R/M.1457/M.1457-12/DS |
| ETSI | ETSI TS 126 094 | 9.0.0 | Published | Jan 10 | http://www.etsi.org/deliver/etsi_ts/126000_126099/126094/09.00.00_60/ |
| TTA | TTAT.3G-26.094(R9-9.0.0) | 9.0.0 | Approved | Jul 10 | http://www.tta.or.kr/data/ttasDown.jsp?where=14688&pk_num=TTAT.3G-26.094(R9-9.0.0) |
| Release 10 | | | | | |
| ARIB | ARIB STD-T63-26.094 | 10.0.0 | Approved | Jul 13 | http://www.arib.or.jp/english/html/overview/doc/STD-T63v10_00/2_T63/ARIB-STD-T63/Rel10/26/A26094-a00.pdf |
| CCSA | CCSA-TSD-DS-26.094 | 10.0.0 | Published | Jun 12 | http://www.ccsa.org.cn/english/tc/files.php?docpath=/ITU-R/M.1457/M.1457-12/DS |
| ETSI | ETSI TS 126 094 | 10.0.0 | Published | Apr 11 | http://www.etsi.org/deliver/etsi_ts/126000_126099/126094/10.00.00_60/ |
| TTA | TTAT.3G-26.094(R10-10.0.0) | 10.0.0 | Approved | Apr 12 | http://www.tta.or.kr/data/ttasDown.jsp?where=14688&pk_num=TTAT.3G-26.094(R10-10.0.0) |
| Release 11 | | | | | |
| ARIB | ARIB STD-T63-26.094 | 11.0.0 | Approved | Jul 13 | http://www.arib.or.jp/english/html/overview/doc/STD-T63v10_00/2_T63/ARIB-STD-T63/Rel11/26/A26094-b00.pdf |
| CCSA | CCSA-TSD-DS-26.094 | 11.0.0 | Published | Jun 14 | http://www.ccsa.org.cn/english/tc/files.php?docpath=/ITU-R/M.1457/M.1457-12/DS |
| ETSI | ETSI TS 126 094 | 11.0.0 | Published | Oct 12 | http://www.etsi.org/deliver/etsi_ts/126000_126099/126094/11.00.00_60/ |
| TTA | TTAT.3G-26.094(R11-11.0.0) | 11.0.0 | published | Aug 13 | http://www.tta.or.kr/data/ttasDown.jsp?where=14688&pk_num=TTAT.3G-26.094(R11-11.0.0) |

5.1.2.13.93 TS 26.110

Codec for circuit switched multimedia telephony service; General description

This specification describes an introduction to the set of specifications for the support of circuit-switched 3G-324M multimedia telephony service.

| SDO (2) | Document No. | Version | Status | Issued date | Location (1) |
|-------------------|---------------------|---------|-----------|-------------|---|
| Release 99 | | | | | |
| ARIB | ARIB STD-T63-26.110 | 3.1.0 | Approved | Jul 13 | http://www.arib.or.jp/english/html/overview/doc/STD-T63v10_00/2_T63/ARIB-STD-T63/R99/26/A26110-310.pdf |
| CCSA | CCSA-TSD-DS-26.110 | 3.1.0 | Published | Apr 01 | http://www.ccsa.org.cn/english/tc/files.php?docpath=/ITU-R/M.1457/M.1457-12/DS |
| ETSI | ETSI TS 126 110 | 3.1.0 | Published | Apr 01 | http://www.etsi.org/deliver/etsi_ts/126100_126199/126110/03.01.00_60/ |
| Release 4 | | | | | |
| ARIB | ARIB STD-T63-26.110 | 4.1.0 | Approved | Jul 13 | http://www.arib.or.jp/english/html/overview/doc/STD-T63v10_00/2_T63/ARIB-STD-T63/Rel4/26/A26110-410.pdf |
| CCSA | CCSA-TSD-DS-26.110 | 4.1.0 | Published | Apr 01 | http://www.ccsa.org.cn/english/tc/files.php?docpath=/ITU-R/M.1457/M.1457-12/DS |
| ETSI | ETSI TS 126 110 | 4.1.0 | Published | Apr 01 | http://www.etsi.org/deliver/etsi_ts/126100_126199/126110/04.01.00_60/ |
| Release 5 | | | | | |
| ARIB | ARIB STD-T63-26.110 | 5.0.0 | Approved | Jul 13 | http://www.arib.or.jp/english/html/overview/doc/STD-T63v10_00/2_T63/ARIB-STD-T63/Rel5/26/A26110-500.pdf |
| CCSA | CCSA-TSD-DS-26.110 | 5.0.0 | Published | Jul 02 | http://www.ccsa.org.cn/english/tc/files.php?docpath=/ITU-R/M.1457/M.1457-12/DS |
| ETSI | ETSI TS 126 110 | 5.0.0 | Published | Jul 02 | http://www.etsi.org/deliver/etsi_ts/126100_126199/126110/05.00.00_60/ |

Release 6

| | | | | | |
|-------------------|----------------------------|--------|-----------|--------|---|
| ARIB | ARIB STD-T63-26.110 | 6.0.0 | Approved | Jul 13 | http://www.arib.or.jp/english/html/overview/doc/STD-T63v10_00/2_T63/ARIB-STD-T63/Rel6/26/A26110-600.pdf |
| CCSA | CCSA-TSD-DS-26.110 | 6.0.0 | Published | Jan 05 | http://www.ccsa.org.cn/english/tc/files.php?docpath=/ITU-R/M.1457/M.1457-12/DS |
| ETSI | ETSI TS 126 110 | 6.0.0 | Published | Jan 05 | http://www.etsi.org/deliver/etsi_ts/126100_126199/126110/06.00.00_60/ |
| Release 7 | | | | | |
| ARIB | ARIB STD-T63-26.110 | 7.0.0 | Approved | Jul 13 | http://www.arib.or.jp/english/html/overview/doc/STD-T63v10_00/2_T63/ARIB-STD-T63/Rel7/26/A26110-700.pdf |
| CCSA | CCSA-TSD-DS-26.110 | 7.0.0 | Published | Jul 07 | http://www.ccsa.org.cn/english/tc/files.php?docpath=/ITU-R/M.1457/M.1457-12/DS |
| ETSI | ETSI TS 126 110 | 7.0.0 | Published | Jul 07 | http://www.etsi.org/deliver/etsi_ts/126100_126199/126110/07.00.00_60/ |
| Release 8 | | | | | |
| ARIB | ARIB STD-T63-26.110 | 8.0.0 | Approved | Jul 13 | http://www.arib.or.jp/english/html/overview/doc/STD-T63v10_00/2_T63/ARIB-STD-T63/Rel8/26/A26110-800.pdf |
| CCSA | CCSA-TSD-DS-26.110 | 8.0.0 | Published | Jan 09 | http://www.ccsa.org.cn/english/tc/files.php?docpath=/ITU-R/M.1457/M.1457-12/DS |
| ETSI | ETSI TS 126 110 | 8.0.0 | Published | Jan 09 | http://www.etsi.org/deliver/etsi_ts/126100_126199/126110/08.00.00_60/ |
| TTA | TTAT.3G-26.110(R8-8.0.0) | 8.0.0 | Approved | Jul 09 | http://www.tta.or.kr/data/ttasDown.jsp?where=14688&pk_num=TTAT.3G-26.110(R8-8.0.0) |
| Release 9 | | | | | |
| ARIB | ARIB STD-T63-26.110 | 9.0.0 | Approved | Jul 13 | http://www.arib.or.jp/english/html/overview/doc/STD-T63v10_00/2_T63/ARIB-STD-T63/Rel9/26/A26110-900.pdf |
| CCSA | CCSA-TSD-DS-26.110 | 9.0.0 | Published | Mar 10 | http://www.ccsa.org.cn/english/tc/files.php?docpath=/ITU-R/M.1457/M.1457-12/DS |
| ETSI | ETSI TS 126 110 | 9.0.0 | Published | Jan 10 | http://www.etsi.org/deliver/etsi_ts/126100_126199/126110/09.00.00_60/ |
| TTA | TTAT.3G-26.110(R9-9.0.0) | 9.0.0 | Approved | Jul 10 | http://www.tta.or.kr/data/ttasDown.jsp?where=14688&pk_num=TTAT.3G-26.110(R9-9.0.0) |
| Release 10 | | | | | |
| ARIB | ARIB STD-T63-26.110 | 10.0.0 | Approved | Jul 13 | http://www.arib.or.jp/english/html/overview/doc/STD-T63v10_00/2_T63/ARIB-STD-T63/Rel10/26/A26110-a00.pdf |
| CCSA | CCSA-TSD-DS-26.110 | 10.0.0 | Published | Jun 12 | http://www.ccsa.org.cn/english/tc/files.php?docpath=/ITU-R/M.1457/M.1457-12/DS |
| ETSI | ETSI TS 126 110 | 10.0.0 | Published | Apr 11 | http://www.etsi.org/deliver/etsi_ts/126100_126199/126110/10.00.00_60/ |
| TTA | TTAT.3G-26.110(R10-10.0.0) | 10.0.0 | Approved | Apr 12 | http://www.tta.or.kr/data/ttasDown.jsp?where=14688&pk_num=TTAT.3G-26.110(R10-10.0.0) |
| Release 11 | | | | | |
| ARIB | ARIB STD-T63-26.110 | 11.0.0 | Approved | Jul 13 | http://www.arib.or.jp/english/html/overview/doc/STD-T63v10_00/2_T63/ARIB-STD-T63/Rel11/26/A26110-b00.pdf |
| CCSA | CCSA-TSD-DS-26.110 | 11.0.0 | Published | Jun 14 | http://www.ccsa.org.cn/english/tc/files.php?docpath=/ITU-R/M.1457/M.1457-12/DS |
| ETSI | ETSI TS 126 110 | 11.0.0 | Published | Oct 12 | http://www.etsi.org/deliver/etsi_ts/126100_126199/126110/11.00.00_60/ |
| TTA | TTAT.3G-26.110(R11-11.0.0) | 11.0.0 | published | Aug 13 | http://www.tta.or.kr/data/ttasDown.jsp?where=14688&pk_num=TTAT.3G-26.110(R11-11.0.0) |

5.1.2.13.94 TS 26.111

Codec for circuit switched multimedia telephony service; Modifications to H.324

This specification describes the modifications applicable to the ITU-T Recommendation H.324, Annex C for the support of circuit-switched 3G 324M multimedia telephony service.

| SDO (2) | Document No. | Version | Status | Issued date | Location (1) |
|-------------------|---------------------|---------|-----------|-------------|---|
| Release 99 | | | | | |
| ARIB | ARIB STD-T63-26.111 | 3.4.0 | Approved | Jul 13 | http://www.arib.or.jp/english/html/overview/doc/STD-T63v10_00/2_T63/ARIB-STD-T63/R99/26/A26111-340.pdf |
| CCSA | CCSA-TSD-DS-26.111 | 3.4.0 | Published | Feb 01 | http://www.ccsa.org.cn/english/tc/files.php?docpath=/ITU-R/M.1457/M.1457-12/DS |
| ETSI | ETSI TS 126 111 | 3.4.0 | Published | Feb 01 | http://www.etsi.org/deliver/etsi_ts/126100_126199/126111/03.04.00_60/ |
| Release 4 | | | | | |
| ARIB | ARIB STD-T63-26.111 | 4.0.0 | Approved | Jul 13 | http://www.arib.or.jp/english/html/overview/doc/STD-T63v10_00/2_T63/ARIB-STD-T63/Rel4/26/A26111-400.pdf |
| CCSA | CCSA-TSD-DS-26.111 | 4.0.0 | Published | Apr 01 | http://www.ccsa.org.cn/english/tc/files.php?docpath=/ITU-R/M.1457/M.1457-12/DS |
| ETSI | ETSI TS 126 111 | 4.0.0 | Published | Apr 01 | http://www.etsi.org/deliver/etsi_ts/126100_126199/126111/04.00.00_60/ |
| Release 5 | | | | | |

| | | | | | |
|-------------------|----------------------------|--------|-----------|--------|---|
| ARIB | ARIB STD-T63-26.111 | 5.1.0 | Approved | Jul 13 | http://www.arib.or.jp/english/html/overview/doc/STD-T63v10_00/2_T63/ARIB-STD-T63/Rel5/26/A26111-510.pdf |
| CCSA | CCSA-TSD-DS-26.111 | 5.1.0 | Published | Jul 03 | http://www.ccsa.org.cn/english/tc/files.php?docpath=/ITU-R/M.1457/M.1457-12/DS |
| ETSI | ETSI TS 126 111 | 5.1.0 | Published | Jul 03 | http://www.etsi.org/deliver/etsi_ts/126100_126199/126111/05.01.00_60/ |
| Release 6 | | | | | |
| ARIB | ARIB STD-T63-26.111 | 6.2.0 | Approved | Jul 13 | http://www.arib.or.jp/english/html/overview/doc/STD-T63v10_00/2_T63/ARIB-STD-T63/Rel6/26/A26111-620.pdf |
| CCSA | CCSA-TSD-DS-26.111 | 6.2.0 | Published | Jul 08 | http://www.ccsa.org.cn/english/tc/files.php?docpath=/ITU-R/M.1457/M.1457-12/DS |
| ETSI | ETSI TS 126 111 | 6.2.0 | Published | Jul 08 | http://www.etsi.org/deliver/etsi_ts/126100_126199/126111/06.02.00_60/ |
| Release 7 | | | | | |
| ARIB | ARIB STD-T63-26.111 | 7.1.0 | Approved | Jul 13 | http://www.arib.or.jp/english/html/overview/doc/STD-T63v10_00/2_T63/ARIB-STD-T63/Rel7/26/A26111-710.pdf |
| CCSA | CCSA-TSD-DS-26.111 | 7.1.0 | Published | Jul 08 | http://www.ccsa.org.cn/english/tc/files.php?docpath=/ITU-R/M.1457/M.1457-12/DS |
| ETSI | ETSI TS 126 111 | 7.1.0 | Published | Jul 08 | http://www.etsi.org/deliver/etsi_ts/126100_126199/126111/07.01.00_60/ |
| Release 8 | | | | | |
| ARIB | ARIB STD-T63-26.111 | 8.0.0 | Approved | Jul 13 | http://www.arib.or.jp/english/html/overview/doc/STD-T63v10_00/2_T63/ARIB-STD-T63/Rel8/26/A26111-800.pdf |
| CCSA | CCSA-TSD-DS-26.111 | 8.0.0 | Published | Jan 09 | http://www.ccsa.org.cn/english/tc/files.php?docpath=/ITU-R/M.1457/M.1457-12/DS |
| ETSI | ETSI TS 126 111 | 8.0.0 | Published | Jan 09 | http://www.etsi.org/deliver/etsi_ts/126100_126199/126111/08.00.00_60/ |
| TTA | TTAT.3G-26.111(R8-8.0.0) | 8.0.0 | Approved | Jul 09 | http://www.tta.or.kr/data/ttasDown.jsp?where=14688&pk_num=TTAT.3G-26.111(R8-8.0.0) |
| Release 9 | | | | | |
| ARIB | ARIB STD-T63-26.111 | 9.0.0 | Approved | Jul 13 | http://www.arib.or.jp/english/html/overview/doc/STD-T63v10_00/2_T63/ARIB-STD-T63/Rel9/26/A26111-900.pdf |
| CCSA | CCSA-TSD-DS-26.111 | 9.0.0 | Published | Mar 10 | http://www.ccsa.org.cn/english/tc/files.php?docpath=/ITU-R/M.1457/M.1457-12/DS |
| ETSI | ETSI TS 126 111 | 9.0.0 | Published | Jan 10 | http://www.etsi.org/deliver/etsi_ts/126100_126199/126111/09.00.00_60/ |
| TTA | TTAT.3G-26.111(R9-9.0.0) | 9.0.0 | Approved | Jul 10 | http://www.tta.or.kr/data/ttasDown.jsp?where=14688&pk_num=TTAT.3G-26.111(R9-9.0.0) |
| Release 10 | | | | | |
| ARIB | ARIB STD-T63-26.111 | 10.0.0 | Approved | Jul 13 | http://www.arib.or.jp/english/html/overview/doc/STD-T63v10_00/2_T63/ARIB-STD-T63/Rel10/26/A26111-a00.pdf |
| CCSA | CCSA-TSD-DS-26.111 | 10.0.0 | Published | Jun 12 | http://www.ccsa.org.cn/english/tc/files.php?docpath=/ITU-R/M.1457/M.1457-12/DS |
| ETSI | ETSI TS 126 111 | 10.0.0 | Published | Apr 11 | http://www.etsi.org/deliver/etsi_ts/126100_126199/126111/10.00.00_60/ |
| TTA | TTAT.3G-26.111(R10-10.0.0) | 10.0.0 | Approved | Apr 12 | http://www.tta.or.kr/data/ttasDown.jsp?where=14688&pk_num=TTAT.3G-26.111(R10-10.0.0) |
| Release 11 | | | | | |
| ARIB | ARIB STD-T63-26.111 | 11.0.0 | Approved | Jul 13 | http://www.arib.or.jp/english/html/overview/doc/STD-T63v10_00/2_T63/ARIB-STD-T63/Rel11/26/A26111-b00.pdf |
| CCSA | CCSA-TSD-DS-26.111 | 11.0.0 | Published | Jun 14 | http://www.ccsa.org.cn/english/tc/files.php?docpath=/ITU-R/M.1457/M.1457-12/DS |
| ETSI | ETSI TS 126 111 | 11.0.0 | Published | Oct 12 | http://www.etsi.org/deliver/etsi_ts/126100_126199/126111/11.00.00_60/ |
| TTA | TTAT.3G-26.111(R11-11.0.0) | 11.0.0 | published | Aug 13 | http://www.tta.or.kr/data/ttasDown.jsp?where=14688&pk_num=TTAT.3G-26.111(R11-11.0.0) |

5.1.2.13.95 TS 26.346

Multimedia Broadcast/Multicast Service (MBMS); Protocols and codecs

This document defines a set of media codecs, formats and transport/application protocols to enable the deployment of MBMS user services either over the MBMS bearer service or other UMTS Bearer Services within the 3GPP system. In this version of the specification, only MBMS download and streaming delivery methods are specified. This document does not preclude the use of other delivery methods. This document includes information applicable to network operators, service providers and manufacturers.

SDO (2) Document No. Version Status Issued date Location (1)

Release 6

| | | | | | |
|-------------------|----------------------------|--------|-----------|--------|---|
| ARIB | ARIB STD-T63-26.346 | 6.14.0 | Approved | Jul 13 | http://www.arib.or.jp/english/html/overview/doc/STD-T63v10_00/2_T63/ARIB-STD-T63/Rel6/26/A26346-6e0.pdf |
| CCSA | CCSA-TSD-DS-26.346 | 6.13.0 | Published | Jun 12 | http://www.ccsa.org.cn/english/tc/files.php?docpath=/ITU-R/M.1457/M.1457-12/DS |
| ETSI | ETSI TS 126 346 | 6.14.0 | Published | Mar 12 | http://www.etsi.org/deliver/etsi_ts/126300_126399/126346/06.14.00_60/ |
| Release 7 | | | | | |
| ARIB | ARIB STD-T63-26.346 | 7.11.0 | Approved | Jul 13 | http://www.arib.or.jp/english/html/overview/doc/STD-T63v10_00/2_T63/ARIB-STD-T63/Rel7/26/A26346-7b0.pdf |
| CCSA | CCSA-TSD-DS-26.346 | 7.10.0 | Published | Jun 12 | http://www.ccsa.org.cn/english/tc/files.php?docpath=/ITU-R/M.1457/M.1457-12/DS |
| ETSI | ETSI TS 126 346 | 7.11.0 | Published | Mar 12 | http://www.etsi.org/deliver/etsi_ts/126300_126399/126346/07.11.00_60/ |
| Release 8 | | | | | |
| ARIB | ARIB STD-T63-26.346 | 8.7.0 | Approved | Jul 13 | http://www.arib.or.jp/english/html/overview/doc/STD-T63v10_00/2_T63/ARIB-STD-T63/Rel8/26/A26346-870.pdf |
| CCSA | CCSA-TSD-DS-26.346 | 8.6.0 | Published | Jun 12 | http://www.ccsa.org.cn/english/tc/files.php?docpath=/ITU-R/M.1457/M.1457-12/DS |
| ETSI | ETSI TS 126 346 | 8.7.0 | Published | Mar 12 | http://www.etsi.org/deliver/etsi_ts/126300_126399/126346/08.07.00_60/ |
| Release 9 | | | | | |
| ARIB | ARIB STD-T63-26.346 | 9.10.0 | Approved | Jul 13 | http://www.arib.or.jp/english/html/overview/doc/STD-T63v10_00/2_T63/ARIB-STD-T63/Rel9/26/A26346-9a0.pdf |
| CCSA | CCSA-TSD-DS-26.346 | 9.5.0 | Published | Jun 12 | http://www.ccsa.org.cn/english/tc/files.php?docpath=/ITU-R/M.1457/M.1457-12/DS |
| ETSI | ETSI TS 126 346 | 9.10.0 | Published | Apr 13 | http://www.etsi.org/deliver/etsi_ts/126300_126399/126346/09.10.00_60/ |
| Release 10 | | | | | |
| ARIB | ARIB STD-T63-26.346 | 10.7.0 | Approved | Jul 13 | http://www.arib.or.jp/english/html/overview/doc/STD-T63v10_00/2_T63/ARIB-STD-T63/Rel10/26/A26346-a70.pdf |
| CCSA | CCSA-TSD-DS-26.346 | 10.2.0 | Published | Jun 12 | http://www.ccsa.org.cn/english/tc/files.php?docpath=/ITU-R/M.1457/M.1457-12/DS |
| ETSI | ETSI TS 126 346 | 10.7.0 | Published | Apr 13 | http://www.etsi.org/deliver/etsi_ts/126300_126399/126346/10.07.00_60/ |
| TTA | TTAT.3G-26.346(R10-10.3.0) | 10.3.0 | Approved | Aug 12 | http://www.tta.or.kr/data/ttasDown.jsp?where=14688&pk_num=TTAT.3G-26.346(R10-10.3.0) |
| Release 11 | | | | | |
| ARIB | ARIB STD-T63-26.346 | 11.4.0 | Approved | Jul 13 | http://www.arib.or.jp/english/html/overview/doc/STD-T63v10_00/2_T63/ARIB-STD-T63/Rel11/26/A26346-b40.pdf |
| CCSA | CCSA-TSD-DS-26.346 | 11.9.0 | Published | Jun 14 | http://www.ccsa.org.cn/english/tc/files.php?docpath=/ITU-R/M.1457/M.1457-12/DS |
| ETSI | ETSI TS 126 346 | 11.4.0 | Published | Apr 13 | http://www.etsi.org/deliver/etsi_ts/126300_126399/126346/11.04.00_60/ |
| TTA | TTAT.3G-26.346(R11-11.4.0) | 11.4.0 | published | Aug 13 | http://www.tta.or.kr/data/ttasDown.jsp?where=14688&pk_num=TTAT.3G-26.346(R11-11.4.0) |

5.1.2.13.96 TR 26.911

Codec(s) for Circuit-Switched (CS) multimedia telephony service; Terminal implementor's guide

This report describes non-mandatory Recommendations for the use of the different codec implementation options for the circuit-switched 3G-324M multimedia telephony service based on ITU-T Recommendation H.324, Annex C. These Recommendations address issues specific to the third generation operating environment, including guaranteeing sufficient error resilience and inter-working between terminals.

| SDO (2) | Document No. | Version | Status | Issued date | Location (1) |
|-------------------|--------------------|---------|-----------|-------------|---|
| Release 99 | | | | | |
| ARIB | ARIB TR-T12-26.911 | 3.4.0 | Approved | Jul 13 | http://www.arib.or.jp/english/html/overview/doc/STD-T63v10_00/3_T12/ARIB-TR-T12/R99/26/A26911-340.pdf |
| CCSA | CCSA-TSD-DS-26.911 | 3.4.0 | Published | Apr 03 | http://www.ccsa.org.cn/english/tc/files.php?docpath=/ITU-R/M.1457/M.1457-12/DS |
| ETSI | ETSI TR 126 911 | 3.4.0 | Published | Apr 03 | http://www.etsi.org/deliver/etsi_tr/126900_126999/126911/03.04.00_60/ |
| Release 4 | | | | | |
| ARIB | ARIB TR-T12-26.911 | 4.2.0 | Approved | Jul 13 | http://www.arib.or.jp/english/html/overview/doc/STD-T63v10_00/3_T12/ARIB-TR-T12/Rel4/26/A26911-420.pdf |
| CCSA | CCSA-TSD-DS-26.911 | 4.2.0 | Published | Apr 03 | http://www.ccsa.org.cn/english/tc/files.php?docpath=/ITU-R/M.1457/M.1457-12/DS |
| ETSI | ETSI TR 126 911 | 4.2.0 | Published | Apr 03 | http://www.etsi.org/deliver/etsi_tr/126900_126999/126911/04.02.00_60/ |
| Release 5 | | | | | |

| | | | | | |
|-------------------|----------------------------|--------|-----------|--------|---|
| ARIB | ARIB TR-T12-26.911 | 5.1.0 | Approved | Jul 13 | http://www.arib.or.jp/english/html/overview/doc/STD-T63v10_00/3_T12/ARIB-TR-T12/Rel5/26/A26911-510.pdf |
| CCSA | CCSA-TSD-DS-26.911 | 5.1.0 | Published | Apr 03 | http://www.ccsa.org.cn/english/tc/files.php?docpath=/ITU-R/M.1457/M.1457-12/DS |
| ETSI | ETSI TR 126 911 | 5.1.0 | Published | Apr 03 | http://www.etsi.org/deliver/etsi_tr/126900_126999/126911/05.01.00_60/ |
| Release 6 | | | | | |
| ARIB | ARIB TR-T12-26.911 | 6.0.0 | Approved | Jul 13 | http://www.arib.or.jp/english/html/overview/doc/STD-T63v10_00/3_T12/ARIB-TR-T12/Rel6/26/A26911-600.pdf |
| CCSA | CCSA-TSD-DS-26.911 | 6.0.0 | Published | Jan 05 | http://www.ccsa.org.cn/english/tc/files.php?docpath=/ITU-R/M.1457/M.1457-12/DS |
| ETSI | ETSI TR 126 911 | 6.0.0 | Published | Jan 05 | http://www.etsi.org/deliver/etsi_tr/126900_126999/126911/06.00.00_60/ |
| Release 7 | | | | | |
| ARIB | ARIB TR-T12-26.911 | 7.1.0 | Approved | Jul 13 | http://www.arib.or.jp/english/html/overview/doc/STD-T63v10_00/3_T12/ARIB-TR-T12/Rel7/26/A26911-710.pdf |
| CCSA | CCSA-TSD-DS-26.911 | 7.1.0 | Published | Oct 06 | http://www.ccsa.org.cn/english/tc/files.php?docpath=/ITU-R/M.1457/M.1457-12/DS |
| ETSI | ETSI TR 126 911 | 7.1.0 | Published | Oct 06 | http://www.etsi.org/deliver/etsi_tr/126900_126999/126911/07.01.00_60/ |
| Release 8 | | | | | |
| ARIB | ARIB TR-T12-26.911 | 8.0.0 | Approved | Jul 13 | http://www.arib.or.jp/english/html/overview/doc/STD-T63v10_00/3_T12/ARIB-TR-T12/Rel8/26/A26911-800.pdf |
| CCSA | CCSA-TSD-DS-26.911 | 8.0.0 | Published | Jan 09 | http://www.ccsa.org.cn/english/tc/files.php?docpath=/ITU-R/M.1457/M.1457-12/DS |
| ETSI | ETSI TR 126 911 | 8.0.0 | Published | Jan 09 | http://www.etsi.org/deliver/etsi_tr/126900_126999/126911/08.00.00_60/ |
| TTA | TTAT.3G-26.911(R8-8.0.0) | 8.0.0 | Approved | Jul 09 | http://www.tta.or.kr/data/ttasDown.jsp?where=14688&pk_num=TTAT.3G-26.911(R8-8.0.0) |
| Release 9 | | | | | |
| ARIB | ARIB TR-T12-26.911 | 9.0.0 | Approved | Jul 13 | http://www.arib.or.jp/english/html/overview/doc/STD-T63v10_00/3_T12/ARIB-TR-T12/Rel9/26/A26911-900.pdf |
| CCSA | CCSA-TSD-DS-26.911 | 9.0.0 | Published | Mar 10 | http://www.ccsa.org.cn/english/tc/files.php?docpath=/ITU-R/M.1457/M.1457-12/DS |
| ETSI | ETSI TR 126 911 | 9.0.0 | Published | Jan 10 | http://www.etsi.org/deliver/etsi_tr/126900_126999/126911/09.00.00_60/ |
| TTA | TTAT.3G-26.911(R9-9.0.0) | 9.0.0 | Approved | Jul 10 | http://www.tta.or.kr/data/ttasDown.jsp?where=14688&pk_num=TTAT.3G-26.911(R9-9.0.0) |
| Release 10 | | | | | |
| ARIB | ARIB TR-T12-26.911 | 10.0.0 | Approved | Jul 13 | http://www.arib.or.jp/english/html/overview/doc/STD-T63v10_00/3_T12/ARIB-TR-T12/Rel10/26/A26911-a00.pdf |
| CCSA | CCSA-TSD-DS-26.911 | 10.0.0 | Published | Jun 12 | http://www.ccsa.org.cn/english/tc/files.php?docpath=/ITU-R/M.1457/M.1457-12/DS |
| ETSI | ETSI TR 126 911 | 10.0.0 | Published | Apr 11 | http://www.etsi.org/deliver/etsi_tr/126900_126999/126911/10.00.00_60/ |
| TTA | TTAT.3G-26.911(R10-10.0.0) | 10.0.0 | Approved | Apr 12 | http://www.tta.or.kr/data/ttasDown.jsp?where=14688&pk_num=TTAT.3G-26.911(R10-10.0.0) |
| Release 11 | | | | | |
| ARIB | ARIB TR-T12-26.911 | 11.0.0 | Approved | Jul 13 | http://www.arib.or.jp/english/html/overview/doc/STD-T63v10_00/3_T12/ARIB-TR-T12/Rel11/26/A26911-b00.pdf |
| CCSA | CCSA-TSD-DS-26.911 | 11.0.0 | Published | Jun 14 | http://www.ccsa.org.cn/english/tc/files.php?docpath=/ITU-R/M.1457/M.1457-12/DS |
| ETSI | ETSI TR 126 911 | 11.0.0 | Published | Oct 12 | http://www.etsi.org/deliver/etsi_tr/126900_126999/126911/11.00.00_60/ |
| TTA | TTAT.3G-26.911(R11-11.0.0) | 11.0.0 | published | Aug 13 | http://www.tta.or.kr/data/ttasDown.jsp?where=14688&pk_num=TTAT.3G-26.911(R11-11.0.0) |

5.1.2.13.97 TS 32.101

Telecommunication management; Principles and high level requirements

This document establishes and defines the management principles and high-level requirements for the management of PLMNs. In particular, this document identifies the requirements for:

- the upper level of a management system;
- the reference model, showing the elements the management system interacts with;

- the network operator processes needed to run, operate and maintain a network;
- the functional architecture of the management system;
- the principles to be applied to management interfaces.

The requirements identified in this document are directed to the further development of management specifications as well as the development of management products. This document can be seen as guidance for the development of all other technical specifications addressing the management of PLMNs.

| SDO (2) | Document No. | Version | Status | Issued date | Location (1) |
|-------------------|-----------------------------|---------|-----------|-------------|---|
| Release 99 | | | | | |
| CCSA | CCSA-TSD-DS-32.101 | 3.4.0 | Published | Jun 12 | http://www.ccsa.org.cn/english/tc/files.php?docpath=/ITU-R/M.1457/M.1457-12/DS |
| ETSI | ETSI TS 132 101 | 3.4.0 | Published | Apr 01 | http://www.etsi.org/deliver/etsi_ts/132100_132199/132101/03.04.00_60/ |
| TTC | TS-3GA-32.101(R99)v3.4.0 | 3.4.0 | Approved | Aug 02 | http://www.ttc.or.jp/j/document_list/free/TS/TS-3GA-32.101(R99)v3.4.0.pdf |
| Release 4 | | | | | |
| CCSA | CCSA-TSD-DS-32.101 | 4.2.1 | Published | Jun 12 | http://www.ccsa.org.cn/english/tc/files.php?docpath=/ITU-R/M.1457/M.1457-12/DS |
| ETSI | ETSI TS 132 101 | 4.2.1 | Published | Apr 02 | http://www.etsi.org/deliver/etsi_ts/132100_132199/132101/04.02.01_60/ |
| TTC | TS-3GA-32.101(Rel4)v4.2.0 | 4.2.0 | Approved | Nov 01 | http://www.ttc.or.jp/j/document_list/free/TS/TS-3GA-32.101(Rel4)v4.2.0.pdf |
| Release 5 | | | | | |
| CCSA | CCSA-TSD-DS-32.101 | 5.5.0 | Published | Jun 12 | http://www.ccsa.org.cn/english/tc/files.php?docpath=/ITU-R/M.1457/M.1457-12/DS |
| ETSI | ETSI TS 132 101 | 5.5.0 | Published | Oct 03 | http://www.etsi.org/deliver/etsi_ts/132100_132199/132101/05.05.00_60/ |
| TTC | TS-3GA-32.101(Rel5)v5.5.0 | 5.5.0 | Approved | Nov 03 | http://www.ttc.or.jp/j/document_list/free/TS/TS-3GA-32.101(Rel5)v5.5.0.pdf |
| Release 6 | | | | | |
| CCSA | CCSA-TSD-DS-32.101 | 6.2.0 | Published | Jun 12 | http://www.ccsa.org.cn/english/tc/files.php?docpath=/ITU-R/M.1457/M.1457-12/DS |
| ETSI | ETSI TS 132 101 | 6.2.0 | Published | Apr 06 | http://www.etsi.org/deliver/etsi_ts/132100_132199/132101/06.02.00_60/ |
| TTC | TS-3GA-32.101(Rel6)v6.2.0 | 6.2.0 | Approved | Mar 07 | http://www.ttc.or.jp/j/document_list/free/TS/TS-3GA-32.101(Rel6)v6.2.0.pdf |
| Release 7 | | | | | |
| CCSA | CCSA-TSD-DS-32.101 | 7.4.0 | Published | Jun 12 | http://www.ccsa.org.cn/english/tc/files.php?docpath=/ITU-R/M.1457/M.1457-12/DS |
| ETSI | ETSI TS 132 101 | 7.4.0 | Published | Jan 08 | http://www.etsi.org/deliver/etsi_ts/132100_132199/132101/07.04.00_60/ |
| TTC | TS-3GA-32.101(Rel7)v7.4.0 | 7.4.0 | Approved | Feb 09 | http://www.ttc.or.jp/jp/document_list/free/3gpps2009/TS/TS-3GA-32.101(Rel7)v7.4.0.pdf |
| Release 8 | | | | | |
| CCSA | CCSA-TSD-DS-32.101 | 8.5.0 | Published | Jun 12 | http://www.ccsa.org.cn/english/tc/files.php?docpath=/ITU-R/M.1457/M.1457-12/DS |
| ETSI | ETSI TS 132 101 | 8.5.0 | Published | Apr 10 | http://www.etsi.org/deliver/etsi_ts/132100_132199/132101/08.05.00_60/ |
| TTC | TS-3GA-32.101(Rel8)v8.5.0 | 8.5.0 | Approved | Jul 10 | http://www.ttc.or.jp/j/document_list/free/3gpps2010/TS/TS-3GA-32.101(Rel8)v8.5.0.pdf |
| Release 9 | | | | | |
| CCSA | CCSA-TSD-DS-32.101 | 9.1.0 | Published | Jun 12 | http://www.ccsa.org.cn/english/tc/files.php?docpath=/ITU-R/M.1457/M.1457-12/DS |
| ETSI | ETSI TS 132 101 | 9.1.0 | Published | Apr 10 | http://www.etsi.org/deliver/etsi_ts/132100_132199/132101/09.01.00_60/ |
| TTC | TS-3GA-32.101(Rel9)v9.1.0 | 9.1.0 | Approved | Jul 10 | http://www.ttc.or.jp/j/document_list/free/3gpps2010/TS/TS-3GA-32.101(Rel9)v9.1.0.pdf |
| Release 10 | | | | | |
| CCSA | CCSA-TSD-DS-32.101 | 10.0.0 | Published | Jun 12 | http://www.ccsa.org.cn/english/tc/files.php?docpath=/ITU-R/M.1457/M.1457-12/DS |
| ETSI | ETSI TS 132 101 | 10.0.0 | Published | May 11 | http://www.etsi.org/deliver/etsi_ts/132100_132199/132101/10.00.00_60/ |
| TTA | TTAT.3G-32.101(R10-10.0.0) | 10.0.0 | Approved | Apr 12 | http://www.tta.or.kr/data/ttasDown.jsp?where=14688&pk_num=TTAT.3G-32.101(R10-10.0.0) |
| TTC | TS-3GA-32.101(Rel10)v10.0.0 | 10.0.0 | Approved | Jun 11 | http://www.ttc.or.jp/jp/document_list/free/3gpps2011/TS/TS-3GA-32.101(Rel10)v10.0.0.pdf |

Release 11

| | | | | | |
|------|-----------------------------|--------|-----------|--------|---|
| CCSA | CCSA-TSD-DS-32.101 | 11.0.0 | Published | Jun 14 | http://www.ccsa.org.cn/english/tc/files.php?docpath=/ITU-R/M.1457/M.1457-12/DS |
| ETSI | ETSI TS 132 101 | 11.1.0 | Published | Jan 13 | http://www.etsi.org/deliver/etsi_ts/132100_132199/132101/11.01.00_60/ |
| TTA | TTAT.3G-32.101(R11-11.1.0) | 11.1.0 | published | Aug 13 | http://www.tta.or.kr/data/ttasDown.jsp?where=14688&pk_num=TTAT.3G-32.101(R11-11.1.0) |
| TTC | TS-3GA-32.101(Rel11)v11.1.0 | 11.1.0 | Approved | Jun 13 | http://www.ttc.or.jp/j/document_list/free/3gpps2013/TS/TS-3GA-32.101(Rel11)v11.1.0.pdf |

5.1.2.13.98 TS 32.102**Telecommunication management; Architecture**

This document identifies and standardizes the most important and strategic contexts in the physical architecture for the management of PLMNs. It serves as a framework to help define a telecom management physical architecture for a planned PLMN and to adopt standards and provide products that are easy to integrate. The requirements identified in this document are applicable to all further development of 3GPP Telecom Management specifications as well as the development of PLMN Management products. This document can be seen as guidance for the development of all other technical specifications addressing the management of PLMNs, except TS 32.101.

| SDO (2) | Document No. | Version | Status | Issued date | Location (1) |
|-------------------|---------------------------|---------|-----------|-------------|---|
| Release 99 | | | | | |
| CCSA | CCSA-TSD-DS-32.102 | 3.2.0 | Published | Jun 12 | http://www.ccsa.org.cn/english/tc/files.php?docpath=/ITU-R/M.1457/M.1457-12/DS |
| ETSI | ETSI TS 132 102 | 3.2.0 | Published | Aug 00 | http://www.etsi.org/deliver/etsi_ts/132100_132199/132102/03.02.00_60/ |
| TTC | JP-3GA-32.102(R99) | 3.2.0 | Approved | Nov 00 | http://www.ttc.or.jp/j/document_list/pdf/j/STD/JP-3GA-32.102(R99)v2.pdf |
| Release 4 | | | | | |
| CCSA | CCSA-TSD-DS-32.102 | 4.5.0 | Published | Jun 12 | http://www.ccsa.org.cn/english/tc/files.php?docpath=/ITU-R/M.1457/M.1457-12/DS |
| ETSI | ETSI TS 132 102 | 4.5.0 | Published | Apr 04 | http://www.etsi.org/deliver/etsi_ts/132100_132199/132102/04.05.00_60/ |
| TTC | TS-3GA-32.102(Rel4)v4.5.0 | 4.5.0 | Approved | May 04 | http://www.ttc.or.jp/j/document_list/free/TS/TS-3GA-32.102(Rel4)v4.5.0.pdf |
| Release 5 | | | | | |
| CCSA | CCSA-TSD-DS-32.102 | 5.6.0 | Published | Jun 12 | http://www.ccsa.org.cn/english/tc/files.php?docpath=/ITU-R/M.1457/M.1457-12/DS |
| ETSI | ETSI TS 132 102 | 5.6.0 | Published | Apr 04 | http://www.etsi.org/deliver/etsi_ts/132100_132199/132102/05.06.00_60/ |
| TTC | TS-3GA-32.102(Rel5)v5.6.0 | 5.6.0 | Approved | May 04 | http://www.ttc.or.jp/j/document_list/free/TS/TS-3GA-32.102(Rel5)v5.6.0.pdf |
| Release 6 | | | | | |
| CCSA | CCSA-TSD-DS-32.102 | 6.3.0 | Published | Jun 12 | http://www.ccsa.org.cn/english/tc/files.php?docpath=/ITU-R/M.1457/M.1457-12/DS |
| ETSI | ETSI TS 132 102 | 6.3.0 | Published | Jan 05 | http://www.etsi.org/deliver/etsi_ts/132100_132199/132102/06.03.00_60/ |
| TTC | TS-3GA-32.102(Rel6)v6.3.0 | 6.3.0 | Approved | May 05 | http://www.ttc.or.jp/j/document_list/free/TS/TS-3GA-32.102(Rel6)v6.3.0.pdf |
| Release 7 | | | | | |
| CCSA | CCSA-TSD-DS-32.102 | 7.2.0 | Published | Jun 12 | http://www.ccsa.org.cn/english/tc/files.php?docpath=/ITU-R/M.1457/M.1457-12/DS |
| ETSI | ETSI TS 132 102 | 7.2.0 | Published | Jan 08 | http://www.etsi.org/deliver/etsi_ts/132100_132199/132102/07.02.00_60/ |
| TTC | TS-3GA-32.102(Rel7)v7.2.0 | 7.2.0 | Approved | Feb 09 | http://www.ttc.or.jp/j/document_list/free/3gpps2009/TS/TS-3GA-32.102(Rel7)v7.2.0.pdf |
| Release 8 | | | | | |
| CCSA | CCSA-TSD-DS-32.102 | 8.3.0 | Published | Jun 12 | http://www.ccsa.org.cn/english/tc/files.php?docpath=/ITU-R/M.1457/M.1457-12/DS |
| ETSI | ETSI TS 132 102 | 8.3.0 | Published | Jan 10 | http://www.etsi.org/deliver/etsi_ts/132100_132199/132102/08.03.00_60/ |
| TTC | TS-3GA-32.102(Rel8)v8.3.0 | 8.3.0 | Approved | Apr 10 | http://www.ttc.or.jp/j/document_list/free/3gpps2010/TS/TS-3GA-32.102(Rel8)v8.3.0.pdf |
| Release 9 | | | | | |

| | | | | | |
|-------------------|-----------------------------|--------|-----------|--------|---|
| CCSA | CCSA-TSD-DS-32.102 | 9.0.0 | Published | Jun 12 | http://www.ccsa.org.cn/english/tc/files.php?docpath=/ITU-R/M.1457/M.1457-12/DS |
| ETSI | ETSI TS 132 102 | 9.0.0 | Published | Jan 10 | http://www.etsi.org/deliver/etsi_ts/132100_132199/132102/09.00.00_60/ |
| TTC | TS-3GA-32.102(Rel9)v9.0.0 | 9.0.0 | Approved | Jul 10 | http://www.ttc.or.jp/j/document_list/free/3gpps2010/TS/TS-3GA-32.102(Rel9)v9.0.0.pdf |
| Release 10 | | | | | |
| CCSA | CCSA-TSD-DS-32.102 | 10.0.0 | Published | Jun 12 | http://www.ccsa.org.cn/english/tc/files.php?docpath=/ITU-R/M.1457/M.1457-12/DS |
| ETSI | ETSI TS 132 102 | 10.0.0 | Published | Apr 11 | http://www.etsi.org/deliver/etsi_ts/132100_132199/132102/10.00.00_60/ |
| TTA | TTAT.3G-32.102(R10-10.0.0) | 10.0.0 | Approved | Apr 12 | http://www.tta.or.kr/data/ttasDown.jsp?where=14688&pk_num=TTAT.3G-32.102(R10-10.0.0) |
| TTC | TS-3GA-32.102(Rel10)v10.0.0 | 10.0.0 | Approved | Jun 11 | http://www.ttc.or.jp/j/document_list/free/3gpps2011/TS/TS-3GA-32.102(Rel10)v10.0.0.pdf |
| Release 11 | | | | | |
| CCSA | CCSA-TSD-DS-32.102 | 11.2.0 | Published | Jun 14 | http://www.ccsa.org.cn/english/tc/files.php?docpath=/ITU-R/M.1457/M.1457-12/DS |
| ETSI | ETSI TS 132 102 | 11.0.0 | Published | Oct 12 | http://www.etsi.org/deliver/etsi_ts/132100_132199/132102/11.00.00_60/ |
| TTA | TTAT.3G-32.102(R11-11.0.0) | 11.0.0 | published | Aug 13 | http://www.tta.or.kr/data/ttasDown.jsp?where=14688&pk_num=TTAT.3G-32.102(R11-11.0.0) |
| TTC | TS-3GA-32.102(Rel11)v11.0.0 | 11.0.0 | Approved | Jun 13 | http://www.ttc.or.jp/jp/document_list/free/3gpps2013/TS/TS-3GA-32.102(Rel11)v11.0.0.pdf |

5.1.2.13.99 TS 32.103

Telecommunication management; Integration Reference Point (IRP) overview and usage guide

This document gives an overview about 3GPP's management interface capabilities and related functionality. It provides high-level information about IRP Framework, available IRPs as well as their relationship with each other. This document is intended to be a guide into the world of 3GPP management specifications, enabling also non-subject matter experts to gain an understanding about 3GPP's management solutions. It also provides IRP packaging suggestions, intended to guide service providers as well as equipment and solutions providers to identify and choose suitable standardized management interface capabilities.

| SDO (2) | Document No. | Version | Status | Issued date | Location (1) |
|-------------------|-----------------------------|---------|-----------|-------------|---|
| Release 10 | | | | | |
| ETSI | ETSI TS 132 103 | 10.0.0 | Published | Jul 11 | http://www.etsi.org/deliver/etsi_ts/132100_132199/132103/10.00.00_60/ |
| TTC | TS-3GA-32.103(Rel10)v10.0.0 | 10.0.0 | Approved | Aug 11 | http://www.ttc.or.jp/j/document_list/free/3gpps2011/TS/TS-3GA-32.103(Rel10)v10.0.0.pdf |
| Release 11 | | | | | |
| CCSA | CCSA-TSD-DS-32.103 | 11.4.0 | Published | Jun 14 | http://www.ccsa.org.cn/english/tc/files.php?docpath=/ITU-R/M.1457/M.1457-12/DS |
| ETSI | ETSI TS 132 103 | 11.2.0 | Published | Apr 13 | http://www.etsi.org/deliver/etsi_ts/132100_132199/132103/11.02.00_60/ |
| TTA | TTAT.3G-32.103(R11-11.2.0) | 11.2.0 | published | Aug 13 | http://www.tta.or.kr/data/ttasDown.jsp?where=14688&pk_num=TTAT.3G-32.103(R11-11.2.0) |
| TTC | TS-3GA-32.103(Rel11)v11.2.0 | 11.2.0 | Approved | Jun 13 | http://www.ttc.or.jp/jp/document_list/free/3gpps2013/TS/TS-3GA-32.103(Rel11)v11.2.0.pdf |

5.1.2.13.100 TS 32.150

Telecommunication management; Integration Reference Point (IRP) Concept and definitions

This document provides the overall concept for all Integration Reference Point (IRP) specifications. Relevant IRP overview and high-level definitions are already provided in 3GPP TS 32.101 and TS 32.102. IRP specifications are intended to be applicable to any management interface developed in 3GPP SA5.

| SDO (2) | Document No. | Version | Status | Issued date | Location (1) |
|------------------|--------------|---------|--------|-------------|--------------|
| Release 6 | | | | | |

| | | | | | |
|-------------------|-----------------------------|--------|-----------|--------|---|
| ETSI | ETSI TS 132 150 | 6.5.0 | Published | Apr 06 | http://www.etsi.org/deliver/etsi_ts/132100_132199/132150/06.05.00_60/ |
| TTC | TS-3GA-32.150(Rel6)v6.5.0 | 6.5.0 | Approved | Mar 07 | http://www.ttc.or.jp/j/document_list/free/TS/TS-3GA-32.150(Rel6)v6.5.0.pdf |
| Release 7 | | | | | |
| ETSI | ETSI TS 132 150 | 7.3.0 | Published | Apr 08 | http://www.etsi.org/deliver/etsi_ts/132100_132199/132150/07.03.00_60/ |
| TTC | TS-3GA-32.150(Rel7)v7.3.0 | 7.3.0 | Approved | Feb 09 | http://www.ttc.or.jp/j/document_list/free/3gpps2009/TS/TS-3GA-32.150(Rel7)v7.3.0.pdf |
| Release 8 | | | | | |
| ETSI | ETSI TS 132 150 | 8.3.0 | Published | Apr 09 | http://www.etsi.org/deliver/etsi_ts/132100_132199/132150/08.03.00_60/ |
| TTC | TS-3GA-32.150(Rel8)v8.3.0 | 8.3.0 | Approved | Jul 09 | http://www.ttc.or.jp/j/document_list/free/3gpps2009/TS/TS-3GA-32.150(Rel8)v8.3.0.pdf |
| Release 9 | | | | | |
| ETSI | ETSI TS 132 150 | 9.2.0 | Published | Oct 10 | http://www.etsi.org/deliver/etsi_ts/132100_132199/132150/09.02.00_60/ |
| TTC | TS-3GA-32.150(Rel9)v9.2.0 | 9.2.0 | Approved | Dec 10 | http://www.ttc.or.jp/j/document_list/free/3gpps2010/TS/TS-3GA-32.150(Rel9)v9.2.0.pdf |
| Release 10 | | | | | |
| ETSI | ETSI TS 132 150 | 10.2.0 | Published | Apr 11 | http://www.etsi.org/deliver/etsi_ts/132100_132199/132150/10.02.00_60/ |
| TTC | TS-3GA-32.150(Rel10)v10.2.0 | 10.2.0 | Approved | Jun 11 | http://www.ttc.or.jp/j/document_list/free/3gpps2011/TS/TS-3GA-32.150(Rel10)v10.2.0.pdf |
| Release 11 | | | | | |
| ETSI | ETSI TS 132 150 | 11.2.0 | Published | Apr 13 | http://www.etsi.org/deliver/etsi_ts/132100_132199/132150/11.02.00_60/ |
| TTA | TTAT.3G-32.150(R11-11.2.0) | 11.2.0 | published | Aug 13 | http://www.tta.or.kr/data/ttasDown.jsp?where=14688&pk_num=TTAT.3G-32.150(R11-11.2.0) |
| TTC | TS-3GA-32.150(Rel11)v11.2.0 | 11.2.0 | Approved | Jun 13 | http://www.ttc.or.jp/j/document_list/free/3gpps2013/TS/TS-3GA-32.150(Rel11)v11.2.0.pdf |

5.1.2.13.101 TS 33.102

3G security; Security architecture

Provides a specification of all security mechanisms and protocols, except algorithms.

| SDO (2) | Document No. | Version | Status | Issued date | Location (1) |
|-------------------|---------------------|---------|-----------|-------------|---|
| Release 99 | | | | | |
| ARIB | ARIB STD-T63-33.102 | 3.13.0 | Approved | Jul 13 | http://www.arib.or.jp/english/html/overview/doc/STD-T63v10_00/2_T63/ARIB-STD-T63/R99/33/A33102-3d0.pdf |
| CCSA | CCSA-TSD-DS-33.102 | 3.13.0 | Published | Jan 03 | http://www.ccsa.org.cn/english/tc/files.php?docpath=/ITU-R/M.1457/M.1457-12/DS |
| ETSI | ETSI TS 133 102 | 3.13.0 | Published | Jan 03 | http://www.etsi.org/deliver/etsi_ts/133100_133199/133102/03.13.00_60/ |
| Release 4 | | | | | |
| ARIB | ARIB STD-T63-33.102 | 4.5.0 | Approved | Jul 13 | http://www.arib.or.jp/english/html/overview/doc/STD-T63v10_00/2_T63/ARIB-STD-T63/Rel4/33/A33102-450.pdf |
| CCSA | CCSA-TSD-DS-33.102 | 4.5.0 | Published | Jan 03 | http://www.ccsa.org.cn/english/tc/files.php?docpath=/ITU-R/M.1457/M.1457-12/DS |
| ETSI | ETSI TS 133 102 | 4.5.0 | Published | Jan 03 | http://www.etsi.org/deliver/etsi_ts/133100_133199/133102/04.05.00_60/ |
| Release 5 | | | | | |
| ARIB | ARIB STD-T63-33.102 | 5.7.0 | Approved | Jul 13 | http://www.arib.or.jp/english/html/overview/doc/STD-T63v10_00/2_T63/ARIB-STD-T63/Rel5/33/A33102-570.pdf |
| CCSA | CCSA-TSD-DS-33.102 | 5.7.0 | Published | Jan 06 | http://www.ccsa.org.cn/english/tc/files.php?docpath=/ITU-R/M.1457/M.1457-12/DS |
| ETSI | ETSI TS 133 102 | 5.7.0 | Published | Jan 06 | http://www.etsi.org/deliver/etsi_ts/133100_133199/133102/05.07.00_60/ |
| Release 6 | | | | | |
| ARIB | ARIB STD-T63-33.102 | 6.5.0 | Approved | Jul 13 | http://www.arib.or.jp/english/html/overview/doc/STD-T63v10_00/2_T63/ARIB-STD-T63/Rel6/33/A33102-650.pdf |
| CCSA | CCSA-TSD-DS-33.102 | 6.5.0 | Published | Jan 06 | http://www.ccsa.org.cn/english/tc/files.php?docpath=/ITU-R/M.1457/M.1457-12/DS |
| ETSI | ETSI TS 133 102 | 6.5.0 | Published | Jan 06 | http://www.etsi.org/deliver/etsi_ts/133100_133199/133102/06.05.00_60/ |
| Release 7 | | | | | |

| | | | | | |
|-------------------|----------------------------|--------|-----------|--------|---|
| ARIB | ARIB STD-T63-33.102 | 7.1.0 | Approved | Jul 13 | http://www.arib.or.jp/english/html/overview/doc/STD-T63v10_00/2_T63/ARIB-STD-T63/Rel7/33/A33102-710.pdf |
| CCSA | CCSA-TSD-DS-33.102 | 7.1.0 | Published | Dec 06 | http://www.ccsa.org.cn/english/tc/files.php?docpath=/ITU-R/M.1457/M.1457-12/DS |
| ETSI | ETSI TS 133 102 | 7.1.0 | Published | Dec 06 | http://www.etsi.org/deliver/etsi_ts/133100_133199/133102/07.01.00_60/ |
| Release 8 | | | | | |
| ARIB | ARIB STD-T63-33.102 | 8.6.0 | Approved | Jul 13 | http://www.arib.or.jp/english/html/overview/doc/STD-T63v10_00/2_T63/ARIB-STD-T63/Rel8/33/A33102-860.pdf |
| CCSA | CCSA-TSD-DS-33.102 | 8.6.0 | Published | Jun 12 | http://www.ccsa.org.cn/english/tc/files.php?docpath=/ITU-R/M.1457/M.1457-12/DS |
| ETSI | ETSI TS 133 102 | 8.6.0 | Published | Apr 10 | http://www.etsi.org/deliver/etsi_ts/133100_133199/133102/08.06.00_60/ |
| Release 9 | | | | | |
| ARIB | ARIB STD-T63-33.102 | 9.4.0 | Approved | Jul 13 | http://www.arib.or.jp/english/html/overview/doc/STD-T63v10_00/2_T63/ARIB-STD-T63/Rel9/33/A33102-940.pdf |
| CCSA | CCSA-TSD-DS-33.102 | 9.4.0 | Published | Jun 12 | http://www.ccsa.org.cn/english/tc/files.php?docpath=/ITU-R/M.1457/M.1457-12/DS |
| ETSI | ETSI TS 133 102 | 9.4.0 | Published | Jan 11 | http://www.etsi.org/deliver/etsi_ts/133100_133199/133102/09.04.00_60/ |
| TTA | TTAE.3G-33.102(R9-9.2.0) | 9.2.0 | Approved | Jul 10 | http://www.tta.or.kr/data/ttasDown.jsp?where=14688&pk_num=TTAE.3G-33.102(R9-9.2.0) |
| Release 10 | | | | | |
| ARIB | ARIB STD-T63-33.102 | 10.0.0 | Approved | Jul 13 | http://www.arib.or.jp/english/html/overview/doc/STD-T63v10_00/2_T63/ARIB-STD-T63/Rel10/33/A33102-a00.pdf |
| CCSA | CCSA-TSD-DS-33.102 | 10.0.0 | Published | Jun 12 | http://www.ccsa.org.cn/english/tc/files.php?docpath=/ITU-R/M.1457/M.1457-12/DS |
| ETSI | ETSI TS 133 102 | 10.0.0 | Published | May 11 | http://www.etsi.org/deliver/etsi_ts/133100_133199/133102/10.00.00_60/ |
| TTA | TTAT.3G-33.102(R10-10.0.0) | 10.0.0 | Approved | Apr 12 | http://www.tta.or.kr/data/ttasDown.jsp?where=14688&pk_num=TTAT.3G-33.102(R10-10.0.0) |
| Release 11 | | | | | |
| ARIB | ARIB STD-T63-33.102 | 11.5.0 | Approved | Jul 13 | http://www.arib.or.jp/english/html/overview/doc/STD-T63v10_00/2_T63/ARIB-STD-T63/Rel11/33/A33102-b50.pdf |
| CCSA | CCSA-TSD-DS-33.102 | 11.6.0 | Published | Jun 14 | http://www.ccsa.org.cn/english/tc/files.php?docpath=/ITU-R/M.1457/M.1457-12/DS |
| ETSI | ETSI TS 133 102 | 11.5.0 | Published | Feb 13 | http://www.etsi.org/deliver/etsi_ts/133100_133199/133102/11.05.00_60/ |
| TTA | TTAT.3G-33.102(R11-11.5.0) | 11.5.0 | published | Aug 13 | http://www.tta.or.kr/data/ttasDown.jsp?where=14688&pk_num=TTAT.3G-33.102(R11-11.5.0) |

5.1.2.13.102 TS 33.103

3G security; Integration guidelines

Defines how elements of the 3G-security architecture are to be integrated into some entities of the system architecture.

| SDO (2) | Document No. | Version | Status | Issued date | Location (1) |
|-------------------|---------------------------|---------|-----------|-------------|---|
| Release 99 | | | | | |
| ARIB | ARIB STD-T63-33.103 | 3.7.0 | Approved | Jul 13 | http://www.arib.or.jp/english/html/overview/doc/STD-T63v10_00/2_T63/ARIB-STD-T63/R99/33/A33103-370.pdf |
| CCSA | CCSA-TSD-DS-33.103 | 3.7.0 | Published | Oct 01 | http://www.ccsa.org.cn/english/tc/files.php?docpath=/ITU-R/M.1457/M.1457-12/DS |
| ETSI | ETSI TS 133 103 | 3.7.0 | Published | Oct 01 | http://www.etsi.org/deliver/etsi_ts/133100_133199/133103/03.07.00_60/ |
| TTA | TTAE.3G-33.103(R99-3.7.0) | 3.7.0 | Approved | Jul 09 | http://www.tta.or.kr/data/ttasDown.jsp?where=14688&pk_num=TTAE.3G-33.103(R99-3.7.0) |
| Release 4 | | | | | |
| ARIB | ARIB STD-T63-33.103 | 4.2.0 | Approved | Jul 13 | http://www.arib.or.jp/english/html/overview/doc/STD-T63v10_00/2_T63/ARIB-STD-T63/Rel4/33/A33103-420.pdf |
| CCSA | CCSA-TSD-DS-33.103 | 4.2.0 | Published | Oct 01 | http://www.ccsa.org.cn/english/tc/files.php?docpath=/ITU-R/M.1457/M.1457-12/DS |
| ETSI | ETSI TS 133 103 | 4.2.0 | Published | Oct 01 | http://www.etsi.org/deliver/etsi_ts/133100_133199/133103/04.02.00_60/ |
| TTA | TTAE.3G-33.103(R4-4.2.0) | 4.2.0 | Approved | Jul 09 | http://www.tta.or.kr/data/ttasDown.jsp?where=14688&pk_num=TTAE.3G-33.103(R4-4.2.0) |

5.1.2.13.103 TS 33.105

3G Security; Cryptographic algorithm requirements

Defines requirements for standard cipher and integrity algorithm.

| SDO (2) | Document No. | Version | Status | Issued date | Location (1) |
|-------------------|----------------------------|---------|-----------|-------------|---|
| Release 99 | | | | | |
| ARIB | ARIB STD-T63-33.105 | 3.8.0 | Approved | Jul 13 | http://www.arib.or.jp/english/html/overview/doc/STD-T63v10_00/2_T63/ARIB-STD-T63/R99/33/A33105-380.pdf |
| CCSA | CCSA-TSD-DS-33.105 | 3.8.0 | Published | Jul 01 | http://www.ccsa.org.cn/english/tc/files.php?docpath=/ITU-R/M.1457/M.1457-12/DS |
| ETSI | ETSI TS 133 105 | 3.8.0 | Published | Jul 01 | http://www.etsi.org/deliver/etsi_ts/133100_133199/133105/03.08.00_60/ |
| Release 4 | | | | | |
| ARIB | ARIB STD-T63-33.105 | 4.2.0 | Approved | Jul 13 | http://www.arib.or.jp/english/html/overview/doc/STD-T63v10_00/2_T63/ARIB-STD-T63/Rel4/33/A33105-420.pdf |
| CCSA | CCSA-TSD-DS-33.105 | 4.2.0 | Published | Jul 04 | http://www.ccsa.org.cn/english/tc/files.php?docpath=/ITU-R/M.1457/M.1457-12/DS |
| ETSI | ETSI TS 133 105 | 4.2.0 | Published | Jul 04 | http://www.etsi.org/deliver/etsi_ts/133100_133199/133105/04.02.00_60/ |
| Release 5 | | | | | |
| ARIB | ARIB STD-T63-33.105 | 5.0.0 | Approved | Jul 13 | http://www.arib.or.jp/english/html/overview/doc/STD-T63v10_00/2_T63/ARIB-STD-T63/Rel5/33/A33105-500.pdf |
| CCSA | CCSA-TSD-DS-33.105 | 5.0.0 | Published | Jul 04 | http://www.ccsa.org.cn/english/tc/files.php?docpath=/ITU-R/M.1457/M.1457-12/DS |
| ETSI | ETSI TS 133 105 | 5.0.0 | Published | Jul 04 | http://www.etsi.org/deliver/etsi_ts/133100_133199/133105/05.00.00_60/ |
| Release 6 | | | | | |
| ARIB | ARIB STD-T63-33.105 | 6.0.0 | Approved | Jul 13 | http://www.arib.or.jp/english/html/overview/doc/STD-T63v10_00/2_T63/ARIB-STD-T63/Rel6/33/A33105-600.pdf |
| CCSA | CCSA-TSD-DS-33.105 | 6.0.0 | Published | Jan 05 | http://www.ccsa.org.cn/english/tc/files.php?docpath=/ITU-R/M.1457/M.1457-12/DS |
| ETSI | ETSI TS 133 105 | 6.0.0 | Published | Jan 05 | http://www.etsi.org/deliver/etsi_ts/133100_133199/133105/06.00.00_60/ |
| Release 7 | | | | | |
| ARIB | ARIB STD-T63-33.105 | 7.0.0 | Approved | Jul 13 | http://www.arib.or.jp/english/html/overview/doc/STD-T63v10_00/2_T63/ARIB-STD-T63/Rel7/33/A33105-700.pdf |
| CCSA | CCSA-TSD-DS-33.105 | 7.0.0 | Published | Jul 07 | http://www.ccsa.org.cn/english/tc/files.php?docpath=/ITU-R/M.1457/M.1457-12/DS |
| ETSI | ETSI TS 133 105 | 7.0.0 | Published | Jul 07 | http://www.etsi.org/deliver/etsi_ts/133100_133199/133105/07.00.00_60/ |
| Release 8 | | | | | |
| ARIB | ARIB STD-T63-33.105 | 8.0.0 | Approved | Jul 13 | http://www.arib.or.jp/english/html/overview/doc/STD-T63v10_00/2_T63/ARIB-STD-T63/Rel8/33/A33105-800.pdf |
| CCSA | CCSA-TSD-DS-33.105 | 8.0.0 | Published | Feb 09 | http://www.ccsa.org.cn/english/tc/files.php?docpath=/ITU-R/M.1457/M.1457-12/DS |
| ETSI | ETSI TS 133 105 | 8.0.0 | Published | Feb 09 | http://www.etsi.org/deliver/etsi_ts/133100_133199/133105/08.00.00_60/ |
| TTA | TTAT.3G-33.105(R8-8.0.0) | 8.0.0 | Approved | Jul 09 | http://www.tta.or.kr/data/ttasDown.jsp?where=14688&pk_num=TTAT.3G-33.105(R8-8.0.0) |
| Release 9 | | | | | |
| ARIB | ARIB STD-T63-33.105 | 9.0.0 | Approved | Jul 13 | http://www.arib.or.jp/english/html/overview/doc/STD-T63v10_00/2_T63/ARIB-STD-T63/Rel9/33/A33105-900.pdf |
| CCSA | CCSA-TSD-DS-33.105 | 9.0.0 | Published | Mar 10 | http://www.ccsa.org.cn/english/tc/files.php?docpath=/ITU-R/M.1457/M.1457-12/DS |
| ETSI | ETSI TS 133 105 | 9.0.0 | Published | Feb 10 | http://www.etsi.org/deliver/etsi_ts/133100_133199/133105/09.00.00_60/ |
| TTA | TTAT.3G-33.105(R9-9.0.0) | 9.0.0 | Approved | Jul 10 | http://www.tta.or.kr/data/ttasDown.jsp?where=14688&pk_num=TTAT.3G-33.105(R9-9.0.0) |
| Release 10 | | | | | |
| ARIB | ARIB STD-T63-33.105 | 10.0.0 | Approved | Jul 13 | http://www.arib.or.jp/english/html/overview/doc/STD-T63v10_00/2_T63/ARIB-STD-T63/Rel10/33/A33105-a00.pdf |
| CCSA | CCSA-TSD-DS-33.105 | 10.0.0 | Published | Jun 12 | http://www.ccsa.org.cn/english/tc/files.php?docpath=/ITU-R/M.1457/M.1457-12/DS |
| ETSI | ETSI TS 133 105 | 10.0.0 | Published | Apr 11 | http://www.etsi.org/deliver/etsi_ts/133100_133199/133105/10.00.00_60/ |
| TTA | TTAT.3G-33.105(R10-10.0.0) | 10.0.0 | Approved | Apr 12 | http://www.tta.or.kr/data/ttasDown.jsp?where=14688&pk_num=TTAT.3G-33.105(R10-10.0.0) |
| Release 11 | | | | | |
| ARIB | ARIB STD-T63-33.105 | 11.0.0 | Approved | Jul 13 | http://www.arib.or.jp/english/html/overview/doc/STD-T63v10_00/2_T63/ARIB-STD-T63/Rel11/33/A33105-b00.pdf |
| CCSA | CCSA-TSD-DS-33.105 | 11.0.0 | Published | Jun 14 | http://www.ccsa.org.cn/english/tc/files.php?docpath=/ITU-R/M.1457/M.1457-12/DS |
| ETSI | ETSI TS 133 105 | 11.0.0 | Published | Nov 12 | http://www.etsi.org/deliver/etsi_ts/133100_133199/133105/11.00.00_60/ |
| TTA | TTAT.3G-33.105(R11-11.0.0) | 11.0.0 | published | Aug 13 | http://www.tta.or.kr/data/ttasDown.jsp?where=14688&pk_num=TTAT.3G-33.105(R11-11.0.0) |

5.1.2.13.104 TS 33.106**3G security; Lawful interception requirements**

Defines all requirements for network based lawful interception.

| SDO (2) | Document No. | Version | Status | Issued date | Location (1) |
|-------------------|----------------------------|----------------|---------------|--------------------|---|
| Release 99 | | | | | |
| ARIB | ARIB STD-T63-33.106 | 3.1.0 | Approved | Jul 13 | http://www.arib.or.jp/english/html/overview/doc/STD-T63v10_00/2_T63/ARIB-STD-T63/R99/33/A33106-310.pdf |
| CCSA | CCSA-TSD-DS-33.106 | 3.1.0 | Published | Feb 00 | http://www.ccsa.org.cn/english/tc/files.php?docpath=/ITU-R/M.1457/M.1457-12/DS |
| ETSI | ETSI TS 133 106 | 3.1.0 | Published | Feb 00 | http://www.etsi.org/deliver/etsi_ts/133100_133199/133106/03.01.00_60/ |
| Release 4 | | | | | |
| ARIB | ARIB STD-T63-33.106 | 4.0.0 | Approved | Jul 13 | http://www.arib.or.jp/english/html/overview/doc/STD-T63v10_00/2_T63/ARIB-STD-T63/Rel4/33/A33106-400.pdf |
| CCSA | CCSA-TSD-DS-33.106 | 4.0.0 | Published | Apr 01 | http://www.ccsa.org.cn/english/tc/files.php?docpath=/ITU-R/M.1457/M.1457-12/DS |
| ETSI | ETSI TS 133 106 | 4.0.0 | Published | Apr 01 | http://www.etsi.org/deliver/etsi_ts/133100_133199/133106/04.00.00_60/ |
| Release 5 | | | | | |
| ARIB | ARIB STD-T63-33.106 | 5.1.0 | Approved | Jul 13 | http://www.arib.or.jp/english/html/overview/doc/STD-T63v10_00/2_T63/ARIB-STD-T63/Rel5/33/A33106-510.pdf |
| CCSA | CCSA-TSD-DS-33.106 | 5.1.0 | Published | Oct 02 | http://www.ccsa.org.cn/english/tc/files.php?docpath=/ITU-R/M.1457/M.1457-12/DS |
| ETSI | ETSI TS 133 106 | 5.1.0 | Published | Oct 02 | http://www.etsi.org/deliver/etsi_ts/133100_133199/133106/05.01.00_60/ |
| Release 6 | | | | | |
| ARIB | ARIB STD-T63-33.106 | 6.1.0 | Approved | Jul 13 | http://www.arib.or.jp/english/html/overview/doc/STD-T63v10_00/2_T63/ARIB-STD-T63/Rel6/33/A33106-610.pdf |
| CCSA | CCSA-TSD-DS-33.106 | 6.1.0 | Published | Jan 05 | http://www.ccsa.org.cn/english/tc/files.php?docpath=/ITU-R/M.1457/M.1457-12/DS |
| ETSI | ETSI TS 133 106 | 6.1.0 | Published | Jan 05 | http://www.etsi.org/deliver/etsi_ts/133100_133199/133106/06.01.00_60/ |
| Release 7 | | | | | |
| ARIB | ARIB STD-T63-33.106 | 7.0.1 | Approved | Jul 13 | http://www.arib.or.jp/english/html/overview/doc/STD-T63v10_00/2_T63/ARIB-STD-T63/Rel7/33/A33106-701.pdf |
| CCSA | CCSA-TSD-DS-33.106 | 7.0.1 | Published | Apr 06 | http://www.ccsa.org.cn/english/tc/files.php?docpath=/ITU-R/M.1457/M.1457-12/DS |
| ETSI | ETSI TS 133 106 | 7.0.1 | Published | Apr 06 | http://www.etsi.org/deliver/etsi_ts/133100_133199/133106/07.00.01_60/ |
| Release 8 | | | | | |
| ARIB | ARIB STD-T63-33.106 | 8.1.0 | Approved | Jul 13 | http://www.arib.or.jp/english/html/overview/doc/STD-T63v10_00/2_T63/ARIB-STD-T63/Rel8/33/A33106-810.pdf |
| CCSA | CCSA-TSD-DS-33.106 | 8.1.0 | Published | Oct 08 | http://www.ccsa.org.cn/english/tc/files.php?docpath=/ITU-R/M.1457/M.1457-12/DS |
| ETSI | ETSI TS 133 106 | 8.1.0 | Published | Oct 08 | http://www.etsi.org/deliver/etsi_ts/133100_133199/133106/08.01.00_60/ |
| TTA | TTAT.3G-33.106(R8-8.1.0) | 8.1.0 | Approved | Jul 09 | http://www.tta.or.kr/data/ttasDown.jsp?where=14688&pk_num=TTAT.3G-33.106(R8-8.1.0) |
| Release 9 | | | | | |
| ARIB | ARIB STD-T63-33.106 | 9.0.0 | Approved | Jul 13 | http://www.arib.or.jp/english/html/overview/doc/STD-T63v10_00/2_T63/ARIB-STD-T63/Rel9/33/A33106-900.pdf |
| CCSA | CCSA-TSD-DS-33.106 | 9.0.0 | Published | Mar 10 | http://www.ccsa.org.cn/english/tc/files.php?docpath=/ITU-R/M.1457/M.1457-12/DS |
| ETSI | ETSI TS 133 106 | 9.0.0 | Published | Feb 10 | http://www.etsi.org/deliver/etsi_ts/133100_133199/133106/09.00.00_60/ |
| TTA | TTAT.3G-33.106(R9-9.0.0) | 9.0.0 | Approved | Jul 10 | http://www.tta.or.kr/data/ttasDown.jsp?where=14688&pk_num=TTAT.3G-33.106(R9-9.0.0) |
| Release 10 | | | | | |
| ARIB | ARIB STD-T63-33.106 | 10.0.0 | Approved | Jul 13 | http://www.arib.or.jp/english/html/overview/doc/STD-T63v10_00/2_T63/ARIB-STD-T63/Rel10/33/A33106-a00.pdf |
| CCSA | CCSA-TSD-DS-33.106 | 10.0.0 | Published | Jun 12 | http://www.ccsa.org.cn/english/tc/files.php?docpath=/ITU-R/M.1457/M.1457-12/DS |
| ETSI | ETSI TS 133 106 | 10.0.0 | Published | May 11 | http://www.etsi.org/deliver/etsi_ts/133100_133199/133106/10.00.00_60/ |
| TTA | TTAT.3G-33.106(R10-10.0.0) | 10.0.0 | Approved | Apr 12 | http://www.tta.or.kr/data/ttasDown.jsp?where=14688&pk_num=TTAT.3G-33.106(R10-10.0.0) |
| Release 11 | | | | | |
| ARIB | ARIB STD-T63-33.106 | 11.1.1 | Approved | Jul 13 | http://www.arib.or.jp/english/html/overview/doc/STD-T63v10_00/2_T63/ARIB-STD-T63/Rel11/33/A33106-b11.pdf |

| | | | | | |
|------|----------------------------|--------|-----------|--------|---|
| CCSA | CCSA-TSD-DS-33.106 | 11.1.1 | Published | Jun 14 | http://www.ccsa.org.cn/english/tc/files.php?docpath=/ITU-R/M.1457/M.1457-12/DS |
| ETSI | ETSI TS 133 106 | 11.1.1 | Published | Aug 14 | http://www.etsi.org/deliver/etsi_ts/133100_133199/133106/11.01.01_60/ |
| TTA | TTAT.3G-33.106(R11-11.1.1) | 11.1.1 | published | Aug 14 | http://www.tta.or.kr/data/ttasDown.jsp?where=14688&pk_num=TTAT.3G-22.903(R11-11.0.0) |

5.1.2.13.105 TS 33.107

3G security; Lawful interception architecture and functions

This document describes the architecture and functional requirements within a Third Generation Mobile Communication System (3GMS) and the Evolved Packet System (EPS). The specification shows the service requirements from a Law Enforcement point of view only. The aim of this document is to define a 3GMS and EPS interception system that supports a number of regional interception regulations, but these regulations are not repeated here as they vary. Regional interception requirements shall be met in using specific (regional) mediation functions allowing only required information to be transported.

| SDO (2) | Document No. | Version | Status | Issued date | Location (1) |
|-------------------|---------------------|---------|-----------|-------------|---|
| Release 99 | | | | | |
| ARIB | ARIB STD-T63-33.107 | 3.5.0 | Approved | Jul 13 | http://www.arib.or.jp/english/html/overview/doc/STD-T63v10_00/2_T63/ARIB-STD-T63/R99/33/A33107-350.pdf |
| CCSA | CCSA-TSD-DS-33.107 | 3.5.0 | Published | Jun 12 | http://www.ccsa.org.cn/english/tc/files.php?docpath=/ITU-R/M.1457/M.1457-12/DS |
| ETSI | ETSI TS 133 107 | 3.5.0 | Published | Apr 02 | http://www.etsi.org/deliver/etsi_ts/133100_133199/133107/03.05.00_60/ |
| Release 4 | | | | | |
| ARIB | ARIB STD-T63-33.107 | 4.3.0 | Approved | Jul 13 | http://www.arib.or.jp/english/html/overview/doc/STD-T63v10_00/2_T63/ARIB-STD-T63/Rel4/33/A33107-430.pdf |
| CCSA | CCSA-TSD-DS-33.107 | 4.3.0 | Published | Jun 12 | http://www.ccsa.org.cn/english/tc/files.php?docpath=/ITU-R/M.1457/M.1457-12/DS |
| ETSI | ETSI TS 133 107 | 4.3.0 | Published | Apr 02 | http://www.etsi.org/deliver/etsi_ts/133100_133199/133107/04.03.00_60/ |
| Release 5 | | | | | |
| ARIB | ARIB STD-T63-33.107 | 5.6.0 | Approved | Jul 13 | http://www.arib.or.jp/english/html/overview/doc/STD-T63v10_00/2_T63/ARIB-STD-T63/Rel5/33/A33107-560.pdf |
| CCSA | CCSA-TSD-DS-33.107 | 5.6.0 | Published | Jun 12 | http://www.ccsa.org.cn/english/tc/files.php?docpath=/ITU-R/M.1457/M.1457-12/DS |
| ETSI | ETSI TS 133 107 | 5.6.0 | Published | Oct 03 | http://www.etsi.org/deliver/etsi_ts/133100_133199/133107/05.06.00_60/ |
| Release 6 | | | | | |
| ARIB | ARIB STD-T63-33.107 | 6.6.0 | Approved | Jul 13 | http://www.arib.or.jp/english/html/overview/doc/STD-T63v10_00/2_T63/ARIB-STD-T63/Rel6/33/A33107-660.pdf |
| CCSA | CCSA-TSD-DS-33.107 | 6.6.0 | Published | Jun 12 | http://www.ccsa.org.cn/english/tc/files.php?docpath=/ITU-R/M.1457/M.1457-12/DS |
| ETSI | ETSI TS 133 107 | 6.6.0 | Published | Jan 06 | http://www.etsi.org/deliver/etsi_ts/133100_133199/133107/06.06.00_60/ |
| Release 7 | | | | | |
| ARIB | ARIB STD-T63-33.107 | 7.7.0 | Approved | Jul 13 | http://www.arib.or.jp/english/html/overview/doc/STD-T63v10_00/2_T63/ARIB-STD-T63/Rel7/33/A33107-770.pdf |
| CCSA | CCSA-TSD-DS-33.107 | 7.7.0 | Published | Jun 12 | http://www.ccsa.org.cn/english/tc/files.php?docpath=/ITU-R/M.1457/M.1457-12/DS |
| ETSI | ETSI TS 133 107 | 7.7.0 | Published | Oct 07 | http://www.etsi.org/deliver/etsi_ts/133100_133199/133107/07.07.00_60/ |
| Release 8 | | | | | |
| ARIB | ARIB STD-T63-33.107 | 8.12.0 | Approved | Jul 13 | http://www.arib.or.jp/english/html/overview/doc/STD-T63v10_00/2_T63/ARIB-STD-T63/Rel8/33/A33107-8c0.pdf |
| CCSA | CCSA-TSD-DS-33.107 | 8.12.0 | Published | Jun 12 | http://www.ccsa.org.cn/english/tc/files.php?docpath=/ITU-R/M.1457/M.1457-12/DS |
| ETSI | ETSI TS 133 107 | 8.12.0 | Published | Apr 11 | http://www.etsi.org/deliver/etsi_ts/133100_133199/133107/08.12.00_60/ |
| Release 9 | | | | | |
| ARIB | ARIB STD-T63-33.107 | 9.4.0 | Approved | Jul 13 | http://www.arib.or.jp/english/html/overview/doc/STD-T63v10_00/2_T63/ARIB-STD-T63/Rel9/33/A33107-940.pdf |
| CCSA | CCSA-TSD-DS-33.107 | 9.4.0 | Published | Jun 12 | http://www.ccsa.org.cn/english/tc/files.php?docpath=/ITU-R/M.1457/M.1457-12/DS |
| ETSI | ETSI TS 133 107 | 9.4.0 | Published | Apr 11 | http://www.etsi.org/deliver/etsi_ts/133100_133199/133107/09.04.00_60/ |
| Release 10 | | | | | |

| | | | | | |
|-------------------|----------------------------|--------|-----------|--------|---|
| ARIB | ARIB STD-T63-33.107 | 10.4.0 | Approved | Jul 13 | http://www.arib.or.jp/english/html/overview/doc/STD-T63v10_00/2_T63/ARIB-STD-T63/Rel10/33/A33107-a40.pdf |
| CCSA | CCSA-TSD-DS-33.107 | 10.4.0 | Published | Jun 12 | http://www.ccsa.org.cn/english/tc/files.php?docpath=/ITU-R/M.1457/M.1457-12/DS |
| ETSI | ETSI TS 133 107 | 10.4.0 | Published | Jun 11 | http://www.etsi.org/deliver/etsi_ts/133100_133199/133107/10.04.00_60/ |
| TTA | TTAT.3G-33.107(R10-10.4.0) | 10.4.0 | Approved | Apr 12 | http://www.tta.or.kr/data/ttasDown.jsp?where=14688&pk_num=TTAT.3G-33.107(R10-10.4.0) |
| Release 11 | | | | | |
| ARIB | ARIB STD-T63-33.107 | 11.3.0 | Approved | Jul 13 | http://www.arib.or.jp/english/html/overview/doc/STD-T63v10_00/2_T63/ARIB-STD-T63/Rel11/33/A33107-b30.pdf |
| CCSA | CCSA-TSD-DS-33.107 | 11.4.0 | Published | Jun 14 | http://www.ccsa.org.cn/english/tc/files.php?docpath=/ITU-R/M.1457/M.1457-12/DS |
| ETSI | ETSI TS 133 107 | 11.3.0 | Published | Oct 12 | http://www.etsi.org/deliver/etsi_ts/133100_133199/133107/11.03.00_60/ |
| TTA | TTAT.3G-33.107(R11-11.3.0) | 11.3.0 | published | Aug 13 | http://www.tta.or.kr/data/ttasDown.jsp?where=14688&pk_num=TTAT.3G-33.107(R11-11.3.0) |

5.1.2.13.106 TS 33.108

3G security; Handover interface for Lawful Interception (LI)

This specification addresses the handover interfaces for Lawful Interception (LI) of Packet-Data Services, Circuit Switched Services, Multimedia Services within the UMTS network and Evolved Packet System (EPS). The handover interface in this context includes the delivery of Intercept Related Information (HI2) and Content of Communication (HI3) to the Law Enforcement Monitoring Facility.

| SDO (2) | Document No. | Version | Status | Issued date | Location (1) |
|-------------------|----------------------------|---------|-----------|-------------|---|
| Release 5 | | | | | |
| ARIB | ARIB STD-T63-33.108 | 5.9.1 | Approved | Jul 13 | http://www.arib.or.jp/english/html/overview/doc/STD-T63v10_00/2_T63/ARIB-STD-T63/Rel5/33/A33108-591.pdf |
| CCSA | CCSA-TSD-DS-33.108 | 5.9.1 | Published | Jun 12 | http://www.ccsa.org.cn/english/tc/files.php?docpath=/ITU-R/M.1457/M.1457-12/DS |
| ETSI | ETSI TS 133 108 | 5.9.1 | Published | Jan 05 | http://www.etsi.org/deliver/etsi_ts/133100_133199/133108/05.09.01_60/ |
| Release 6 | | | | | |
| ARIB | ARIB STD-T63-33.108 | 6.10.0 | Approved | Jul 13 | http://www.arib.or.jp/english/html/overview/doc/STD-T63v10_00/2_T63/ARIB-STD-T63/Rel6/33/A33108-6a0.pdf |
| CCSA | CCSA-TSD-DS-33.108 | 6.10.0 | Published | Jun 12 | http://www.ccsa.org.cn/english/tc/files.php?docpath=/ITU-R/M.1457/M.1457-12/DS |
| ETSI | ETSI TS 133 108 | 6.10.0 | Published | Jan 06 | http://www.etsi.org/deliver/etsi_ts/133100_133199/133108/06.10.00_60/ |
| Release 7 | | | | | |
| ARIB | ARIB STD-T63-33.108 | 7.10.0 | Approved | Jul 13 | http://www.arib.or.jp/english/html/overview/doc/STD-T63v10_00/2_T63/ARIB-STD-T63/Rel7/33/A33108-7a0.pdf |
| CCSA | CCSA-TSD-DS-33.108 | 7.10.0 | Published | Jun 12 | http://www.ccsa.org.cn/english/tc/files.php?docpath=/ITU-R/M.1457/M.1457-12/DS |
| ETSI | ETSI TS 133 108 | 7.10.0 | Published | Jan 11 | http://www.etsi.org/deliver/etsi_ts/133100_133199/133108/07.10.00_60/ |
| Release 8 | | | | | |
| ARIB | ARIB STD-T63-33.108 | 8.14.0 | Approved | Jul 13 | http://www.arib.or.jp/english/html/overview/doc/STD-T63v10_00/2_T63/ARIB-STD-T63/Rel8/33/A33108-8e0.pdf |
| CCSA | CCSA-TSD-DS-33.108 | 8.13.0 | Published | Jun 12 | http://www.ccsa.org.cn/english/tc/files.php?docpath=/ITU-R/M.1457/M.1457-12/DS |
| ETSI | ETSI TS 133 108 | 8.14.0 | Published | Oct 12 | http://www.etsi.org/deliver/etsi_ts/133100_133199/133108/08.14.00_60/ |
| Release 9 | | | | | |
| ARIB | ARIB STD-T63-33.108 | 9.7.0 | Approved | Jul 13 | http://www.arib.or.jp/english/html/overview/doc/STD-T63v10_00/2_T63/ARIB-STD-T63/Rel9/33/A33108-970.pdf |
| CCSA | CCSA-TSD-DS-33.108 | 9.6.0 | Published | Jun 12 | http://www.ccsa.org.cn/english/tc/files.php?docpath=/ITU-R/M.1457/M.1457-12/DS |
| ETSI | ETSI TS 133 108 | 9.7.0 | Published | Oct 12 | http://www.etsi.org/deliver/etsi_ts/133100_133199/133108/09.07.00_60/ |
| Release 10 | | | | | |
| ARIB | ARIB STD-T63-33.108 | 10.5.0 | Approved | Jul 13 | http://www.arib.or.jp/english/html/overview/doc/STD-T63v10_00/2_T63/ARIB-STD-T63/Rel10/33/A33108-a50.pdf |
| CCSA | CCSA-TSD-DS-33.108 | 10.4.0 | Published | Jun 12 | http://www.ccsa.org.cn/english/tc/files.php?docpath=/ITU-R/M.1457/M.1457-12/DS |
| ETSI | ETSI TS 133 108 | 10.5.0 | Published | Oct 12 | http://www.etsi.org/deliver/etsi_ts/133100_133199/133108/10.05.00_60/ |
| TTA | TTAT.3G-33.108(R10-10.4.0) | 10.4.0 | Approved | Apr 12 | http://www.tta.or.kr/data/ttasDown.jsp?where=14688&pk_num=TTAT.3G-33.108(R10-10.4.0) |

Release 11

| | | | | | |
|------|----------------------------|--------|-----------|--------|---|
| ARIB | ARIB STD-T63-33.108 | 11.4.0 | Approved | Jul 13 | http://www.arib.or.jp/english/html/overview/doc/STD-T63v10_00/2_T63/ARIB-STD-T63/Rel11/33/A33108-b40.pdf |
| CCSA | CCSA-TSD-DS-33.108 | 11.4.0 | Published | Jun 14 | http://www.ccsa.org.cn/english/tc/files.php?docpath=/ITU-R/M.1457/M.1457-12/DS |
| ETSI | ETSI TS 133 108 | 11.4.0 | Published | Oct 12 | http://www.etsi.org/deliver/etsi_ts/133100_133199/133108/11.04.00_60/ |
| TTA | TTAT.3G-33.108(R11-11.4.0) | 11.4.0 | published | Aug 13 | http://www.tta.or.kr/data/ttasDown.jsp?where=14688&pk_num=TTAT.3G-33.108(R11-11.4.0) |

5.1.2.13.107 TS 33.110**Key establishment between a Universal Integrated Circuit Card (UICC) and a terminal**

This document describes the security features and mechanisms to provision a shared key between a UICC and a terminal that may host the UICC or be connected to the device hosting the UICC via a local interface. Candidate applications to use this key establishment mechanism include but are not restricted to secure channel between a UICC and a terminal. The scope of this specification includes an architecture overview and the detailed procedure how to establish the shared key between the UICC and the terminal.

| SDO (2) | Document No. | Version | Status | Issued date | Location (1) |
|-------------------|----------------------------|---------|-----------|-------------|---|
| Release 7 | | | | | |
| ARIB | ARIB STD-T63-33.110 | 7.5.0 | Approved | Jul 13 | http://www.arib.or.jp/english/html/overview/doc/STD-T63v10_00/2_T63/ARIB-STD-T63/Rel7/33/A33110-750.pdf |
| CCSA | CCSA-TSD-DS-33.110 | 7.5.0 | Published | Jun 12 | http://www.ccsa.org.cn/english/tc/files.php?docpath=/ITU-R/M.1457/M.1457-12/DS |
| ETSI | ETSI TS 133 110 | 7.5.0 | Published | Apr 08 | http://www.etsi.org/deliver/etsi_ts/133100_133199/133110/07.05.00_60/ |
| Release 8 | | | | | |
| ARIB | ARIB STD-T63-33.110 | 8.0.0 | Approved | Jul 13 | http://www.arib.or.jp/english/html/overview/doc/STD-T63v10_00/2_T63/ARIB-STD-T63/Rel8/33/A33110-800.pdf |
| CCSA | CCSA-TSD-DS-33.110 | 8.0.0 | Published | Jun 12 | http://www.ccsa.org.cn/english/tc/files.php?docpath=/ITU-R/M.1457/M.1457-12/DS |
| ETSI | ETSI TS 133 110 | 8.0.0 | Published | Jan 09 | http://www.etsi.org/deliver/etsi_ts/133100_133199/133110/08.00.00_60/ |
| Release 9 | | | | | |
| ARIB | ARIB STD-T63-33.110 | 9.1.0 | Approved | Jul 13 | http://www.arib.or.jp/english/html/overview/doc/STD-T63v10_00/2_T63/ARIB-STD-T63/Rel9/33/A33110-910.pdf |
| CCSA | CCSA-TSD-DS-33.110 | 9.1.0 | Published | Jun 12 | http://www.ccsa.org.cn/english/tc/files.php?docpath=/ITU-R/M.1457/M.1457-12/DS |
| ETSI | ETSI TS 133 110 | 9.1.0 | Published | Jul 11 | http://www.etsi.org/deliver/etsi_ts/133100_133199/133110/09.01.00_60/ |
| Release 10 | | | | | |
| ARIB | ARIB STD-T63-33.110 | 10.1.0 | Approved | Jul 13 | http://www.arib.or.jp/english/html/overview/doc/STD-T63v10_00/2_T63/ARIB-STD-T63/Rel10/33/A33110-a10.pdf |
| CCSA | CCSA-TSD-DS-33.110 | 10.1.0 | Published | Jun 12 | http://www.ccsa.org.cn/english/tc/files.php?docpath=/ITU-R/M.1457/M.1457-12/DS |
| ETSI | ETSI TS 133 110 | 10.1.0 | Published | Jul 11 | http://www.etsi.org/deliver/etsi_ts/133100_133199/133110/10.01.00_60/ |
| TTA | TTAT.3G-33.110(R10-10.1.0) | 10.1.0 | Approved | Apr 12 | http://www.tta.or.kr/data/ttasDown.jsp?where=14688&pk_num=TTAT.3G-33.110(R10-10.1.0) |
| Release 11 | | | | | |
| ARIB | ARIB STD-T63-33.110 | 11.0.1 | Approved | Jul 13 | http://www.arib.or.jp/english/html/overview/doc/STD-T63v10_00/2_T63/ARIB-STD-T63/Rel11/33/A33110-b01.pdf |
| CCSA | CCSA-TSD-DS-33.110 | 11.0.1 | Published | Jun 14 | http://www.ccsa.org.cn/english/tc/files.php?docpath=/ITU-R/M.1457/M.1457-12/DS |
| ETSI | ETSI TS 133 110 | 11.0.1 | Published | Nov 12 | http://www.etsi.org/deliver/etsi_ts/133100_133199/133110/11.00.01_60/ |
| TTA | TTAT.3G-33.110(R11-11.0.1) | 11.0.1 | published | Aug 13 | http://www.tta.or.kr/data/ttasDown.jsp?where=14688&pk_num=TTAT.3G-33.110(R11-11.0.1) |

5.1.2.13.108 TS 33.120**Security Objectives and Principles**

Elaborates on the basic principles underlying the security.

| SDO (2) | Document No. | Version | Status | Issued date | Location (1) |
|-------------------|---------------------------|---------|-----------|-------------|---|
| Release 99 | | | | | |
| ARIB | ARIB STD-T63-33.120 | 3.0.0 | Approved | Jul 13 | http://www.arib.or.jp/english/html/overview/doc/STD-T63v10_00/2_T63/ARIB-STD-T63/R99/33/A33120-300.pdf |
| CCSA | CCSA-TSD-DS-33.120 | 3.0.0 | Published | Feb 00 | http://www.ccsa.org.cn/english/tc/files.php?docpath=/ITU-R/M.1457/M.1457-12/DS |
| ETSI | ETSI TS 133 120 | 3.0.0 | Published | Feb 00 | http://www.etsi.org/deliver/etsi_ts/133100_133199/133120/03.00.00_60/ |
| TTA | TTAE.3G-33.120(R99-3.0.0) | 3.0.0 | Approved | Jul 09 | http://www.tta.or.kr/data/ttasDown.jsp?where=14688&pk_num=TTAE.3G-33.120(R99-3.0.0) |
| Release 4 | | | | | |
| ARIB | ARIB STD-T63-33.120 | 4.0.0 | Approved | Jul 13 | http://www.arib.or.jp/english/html/overview/doc/STD-T63v10_00/2_T63/ARIB-STD-T63/Rel4/33/A33120-400.pdf |
| CCSA | CCSA-TSD-DS-33.120 | 4.0.0 | Published | Apr 01 | http://www.ccsa.org.cn/english/tc/files.php?docpath=/ITU-R/M.1457/M.1457-12/DS |
| ETSI | ETSI TS 133 120 | 4.0.0 | Published | Apr 01 | http://www.etsi.org/deliver/etsi_ts/133100_133199/133120/04.00.00_60/ |
| TTA | TTAE.3G-33.120(R4-4.0.0) | 4.0.0 | Approved | Jul 09 | http://www.tta.or.kr/data/ttasDown.jsp?where=14688&pk_num=TTAE.3G-33.120(R4-4.0.0) |

5.1.2.13.109 TS 33.141

Presence service; Security

This document is the Stage 2 specification for the security requirements, security architecture, security features and security mechanisms for the Presence Service, which includes the elements necessary to realize the requirements in TS 22.141 and TS 23.141. As far as SIP-based procedures are concerned, this specification refers to TS 33.203. The main content of this specification is the security for the Ut reference point, which is HTTP-based, as applied in presence services. The document includes information applicable to network operators, service providers and manufacturers.

| SDO (2) | Document No. | Version | Status | Issued date | Location (1) |
|-------------------|---------------------|---------|-----------|-------------|---|
| Release 6 | | | | | |
| ARIB | ARIB STD-T63-33.141 | 6.2.0 | Approved | Jul 13 | http://www.arib.or.jp/english/html/overview/doc/STD-T63v10_00/2_T63/ARIB-STD-T63/Rel6/33/A33141-620.pdf |
| CCSA | CCSA-TSD-DS-33.141 | 6.2.0 | Published | Jun 12 | http://www.ccsa.org.cn/english/tc/files.php?docpath=/ITU-R/M.1457/M.1457-12/DS |
| ETSI | ETSI TS 133 141 | 6.2.0 | Published | Oct 05 | http://www.etsi.org/deliver/etsi_ts/133100_133199/133141/06.02.00_60/ |
| Release 7 | | | | | |
| ARIB | ARIB STD-T63-33.141 | 7.1.0 | Approved | Jul 13 | http://www.arib.or.jp/english/html/overview/doc/STD-T63v10_00/2_T63/ARIB-STD-T63/Rel7/33/A33141-710.pdf |
| CCSA | CCSA-TSD-DS-33.141 | 7.1.0 | Published | Jun 12 | http://www.ccsa.org.cn/english/tc/files.php?docpath=/ITU-R/M.1457/M.1457-12/DS |
| ETSI | ETSI TS 133 141 | 7.1.0 | Published | Jul 06 | http://www.etsi.org/deliver/etsi_ts/133100_133199/133141/07.01.00_60/ |
| Release 8 | | | | | |
| ARIB | ARIB STD-T63-33.141 | 8.1.0 | Approved | Jul 13 | http://www.arib.or.jp/english/html/overview/doc/STD-T63v10_00/2_T63/ARIB-STD-T63/Rel8/33/A33141-810.pdf |
| CCSA | CCSA-TSD-DS-33.141 | 8.1.0 | Published | Jun 12 | http://www.ccsa.org.cn/english/tc/files.php?docpath=/ITU-R/M.1457/M.1457-12/DS |
| ETSI | ETSI TS 133 141 | 8.1.0 | Published | Jan 09 | http://www.etsi.org/deliver/etsi_ts/133100_133199/133141/08.01.00_60/ |
| Release 9 | | | | | |
| ARIB | ARIB STD-T63-33.141 | 9.1.0 | Approved | Jul 13 | http://www.arib.or.jp/english/html/overview/doc/STD-T63v10_00/2_T63/ARIB-STD-T63/Rel9/33/A33141-910.pdf |
| CCSA | CCSA-TSD-DS-33.141 | 9.1.0 | Published | Jun 12 | http://www.ccsa.org.cn/english/tc/files.php?docpath=/ITU-R/M.1457/M.1457-12/DS |
| ETSI | ETSI TS 133 141 | 9.1.0 | Published | Oct 10 | http://www.etsi.org/deliver/etsi_ts/133100_133199/133141/09.01.00_60/ |
| Release 10 | | | | | |
| ARIB | ARIB STD-T63-33.141 | 10.0.0 | Approved | Jul 13 | http://www.arib.or.jp/english/html/overview/doc/STD-T63v10_00/2_T63/ARIB-STD-T63/Rel10/33/A33141-a00.pdf |
| CCSA | CCSA-TSD-DS-33.141 | 10.0.0 | Published | Jun 12 | http://www.ccsa.org.cn/english/tc/files.php?docpath=/ITU-R/M.1457/M.1457-12/DS |
| ETSI | ETSI TS 133 141 | 10.0.0 | Published | May 11 | http://www.etsi.org/deliver/etsi_ts/133100_133199/133141/10.00.00_60/ |

| | | | | | |
|-------------------|----------------------------|--------|-----------|--------|---|
| TTA | TTAT.3G-33.141(R10-10.0.0) | 10.0.0 | Approved | Apr 12 | http://www.tta.or.kr/data/ttasDown.jsp?where=14688&pk_num=TTAT.3G-33.141(R10-10.0.0) |
| Release 11 | | | | | |
| ARIB | ARIB STD-T63-33.141 | 11.0.0 | Approved | Jul 13 | http://www.arib.or.jp/english/html/overview/doc/STD-T63v10_00/2_T63/ARIB-STD-T63/Rel11/33/A33141-b00.pdf |
| CCSA | CCSA-TSD-DS-33.141 | 11.0.0 | Published | Jun 14 | http://www.ccsa.org.cn/english/tc/files.php?docpath=/ITU-R/M.1457/M.1457-12/DS |
| ETSI | ETSI TS 133 141 | 11.0.0 | Published | Nov 12 | http://www.etsi.org/deliver/etsi_ts/133100_133199/133141/11.00.00_60/ |
| TTA | TTAT.3G-33.141(R11-11.0.0) | 11.0.0 | published | Aug 13 | http://www.tta.or.kr/data/ttasDown.jsp?where=14688&pk_num=TTAT.3G-33.141(R11-11.0.0) |

5.1.2.13.110 TS 33.203

3G security; Access security for IP-based services

The scope for this technical specification is to specify the security features and mechanisms for secure access to the IM subsystem (IMS) for the 3G mobile telecommunication system. Since the scope also encompasses the use of these security features and mechanisms for secure access to IMS in the context of fixed broadband networks and 3GPP2 networks, Annex L and Annex S specify how the material in the main body and other normative Annexes of this document apply to the fixed broadband networks and 3GPP2 networks respectively. The IMS supports IP Multimedia applications such as video, audio and multimedia conferences. SIP, Session Initiation Protocol, was chosen as the signalling protocol for creating and terminating Multimedia sessions, cf. RFC 3261. This specification only deals with how the SIP signalling is protected between the subscriber and the IMS, how the subscriber is authenticated and how the subscriber authenticates the IMS.

| SDO (2) | Document No. | Version | Status | Issued date | Location (1) |
|-------------------|---------------------|---------|-----------|-------------|---|
| Release 5 | | | | | |
| ARIB | ARIB STD-T63-33.203 | 5.12.0 | Approved | Jul 13 | http://www.arib.or.jp/english/html/overview/doc/STD-T63v10_00/2_T63/ARIB-STD-T63/Rel5/33/A33203-5c0.pdf |
| CCSA | CCSA-TSD-DS-33.203 | 5.12.0 | Published | Jun 12 | http://www.ccsa.org.cn/english/tc/files.php?docpath=/ITU-R/M.1457/M.1457-12/DS |
| ETSI | ETSI TS 133 203 | 5.12.0 | Published | Oct 07 | http://www.etsi.org/deliver/etsi_ts/133200_133299/133203/05.12.00_60/ |
| Release 6 | | | | | |
| ARIB | ARIB STD-T63-33.203 | 6.11.0 | Approved | Jul 13 | http://www.arib.or.jp/english/html/overview/doc/STD-T63v10_00/2_T63/ARIB-STD-T63/Rel6/33/A33203-6b0.pdf |
| CCSA | CCSA-TSD-DS-33.203 | 6.11.0 | Published | Jun 12 | http://www.ccsa.org.cn/english/tc/files.php?docpath=/ITU-R/M.1457/M.1457-12/DS |
| ETSI | ETSI TS 133 203 | 6.11.0 | Published | Oct 07 | http://www.etsi.org/deliver/etsi_ts/133200_133299/133203/06.11.00_60/ |
| Release 7 | | | | | |
| ARIB | ARIB STD-T63-33.203 | 7.9.0 | Approved | Jul 13 | http://www.arib.or.jp/english/html/overview/doc/STD-T63v10_00/2_T63/ARIB-STD-T63/Rel7/33/A33203-790.pdf |
| CCSA | CCSA-TSD-DS-33.203 | 7.9.0 | Published | Jun 12 | http://www.ccsa.org.cn/english/tc/files.php?docpath=/ITU-R/M.1457/M.1457-12/DS |
| ETSI | ETSI TS 133 203 | 7.9.0 | Published | Apr 08 | http://www.etsi.org/deliver/etsi_ts/133200_133299/133203/07.09.00_60/ |
| Release 8 | | | | | |
| ARIB | ARIB STD-T63-33.203 | 8.8.0 | Approved | Jul 13 | http://www.arib.or.jp/english/html/overview/doc/STD-T63v10_00/2_T63/ARIB-STD-T63/Rel8/33/A33203-880.pdf |
| CCSA | CCSA-TSD-DS-33.203 | 8.8.0 | Published | Jun 12 | http://www.ccsa.org.cn/english/tc/files.php?docpath=/ITU-R/M.1457/M.1457-12/DS |
| ETSI | ETSI TS 133 203 | 8.8.0 | Published | Jan 10 | http://www.etsi.org/deliver/etsi_ts/133200_133299/133203/08.08.00_60/ |
| Release 9 | | | | | |
| ARIB | ARIB STD-T63-33.203 | 9.5.0 | Approved | Jul 13 | http://www.arib.or.jp/english/html/overview/doc/STD-T63v10_00/2_T63/ARIB-STD-T63/Rel9/33/A33203-950.pdf |
| CCSA | CCSA-TSD-DS-33.203 | 9.5.0 | Published | Jun 12 | http://www.ccsa.org.cn/english/tc/files.php?docpath=/ITU-R/M.1457/M.1457-12/DS |
| ETSI | ETSI TS 133 203 | 9.5.0 | Published | Oct 10 | http://www.etsi.org/deliver/etsi_ts/133200_133299/133203/09.05.00_60/ |
| Release 10 | | | | | |
| ARIB | ARIB STD-T63-33.203 | 10.3.0 | Approved | Jul 13 | http://www.arib.or.jp/english/html/overview/doc/STD-T63v10_00/2_T63/ARIB-STD-T63/Rel10/33/A33203-a30.pdf |

| | | | | | |
|-------------------|----------------------------|--------|-----------|--------|---|
| CCSA | CCSA-TSD-DS-33.203 | 10.2.0 | Published | Jun 12 | http://www.ccsa.org.cn/english/tc/files.php?docpath=/ITU-R/M.1457/M.1457-12/DS |
| ETSI | ETSI TS 133 203 | 10.3.0 | Published | Jul 12 | http://www.etsi.org/deliver/etsi_ts/133200_133299/133203/10.03.00_60/ |
| TTA | TTAT.3G-33.203(R10-10.2.0) | 10.2.0 | Approved | Apr 12 | http://www.tta.or.kr/data/ttasDown.jsp?where=14688&pk_num=TTAT.3G-33.203(R10-10.2.0) |
| Release 11 | | | | | |
| ARIB | ARIB STD-T63-33.203 | 11.2.0 | Approved | Jul 13 | http://www.arib.or.jp/english/html/overview/doc/STD-T63v10_00/2_T63/ARIB-STD-T63/Rel11/33/A33203-b20.pdf |
| CCSA | CCSA-TSD-DS-33.203 | 11.2.0 | Published | Jun 14 | http://www.ccsa.org.cn/english/tc/files.php?docpath=/ITU-R/M.1457/M.1457-12/DS |
| ETSI | ETSI TS 133 203 | 11.2.0 | Published | Nov 12 | http://www.etsi.org/deliver/etsi_ts/133200_133299/133203/11.02.00_60/ |
| TTA | TTAT.3G-33.203(R11-11.2.0) | 11.2.0 | published | Aug 13 | http://www.tta.or.kr/data/ttasDown.jsp?where=14688&pk_num=TTAT.3G-33.203(R11-11.2.0) |

5.1.2.13.111 TS 33.204

3G Security; Network Domain Security (NDS); Transaction Capabilities Application Part (TCAP) user security

This technical specification covers the security mechanisms and procedures necessary to protect all TCAP user messages which are sent between different security domains. The complete set of enhancements and extensions to facilitate security protection for the TCAP protocol is termed TCAPsec and it covers transport security in the TCAP protocol itself and the security management procedures. This technical specification contains the stage 2 specification for security protection of the TCAP protocol. The actual implementation (stage 3) specification can be found in TS 29.204.

| SDO (2) | Document No. | Version | Status | Issued date | Location (1) |
|-------------------|-----------------------------|---------|-----------|-------------|---|
| Release 7 | | | | | |
| CCSA | CCSA-TSD-DS-33.204 | 7.2.0 | Published | Jun 12 | http://www.ccsa.org.cn/english/tc/files.php?docpath=/ITU-R/M.1457/M.1457-12/DS |
| ETSI | ETSI TS 133 204 | 7.2.0 | Published | Jul 07 | http://www.etsi.org/deliver/etsi_ts/133200_133299/133204/07.02.00_60/ |
| TTC | TS-3GA-33.204(Rel7)v7.2.0 | 7.2.0 | Approved | Mar 08 | http://www.ttc.or.jp/j/document_list/free/TS/TS-3GA-33.204(Rel7)v7.2.0.pdf |
| Release 8 | | | | | |
| CCSA | CCSA-TSD-DS-33.204 | 8.0.0 | Published | Jun 12 | http://www.ccsa.org.cn/english/tc/files.php?docpath=/ITU-R/M.1457/M.1457-12/DS |
| ETSI | ETSI TS 133 204 | 8.0.0 | Published | Feb 09 | http://www.etsi.org/deliver/etsi_ts/133200_133299/133204/08.00.00_60/ |
| TTC | TS-3GA-33.204(Rel8)v8.0.0 | 8.0.0 | Approved | Feb 09 | http://www.ttc.or.jp/j/document_list/free/3gpps2009/TS/TS-3GA-33.204(Rel8)v8.0.0.pdf |
| Release 9 | | | | | |
| CCSA | CCSA-TSD-DS-33.204 | 9.0.0 | Published | Jun 12 | http://www.ccsa.org.cn/english/tc/files.php?docpath=/ITU-R/M.1457/M.1457-12/DS |
| ETSI | ETSI TS 133 204 | 9.0.0 | Published | Feb 10 | http://www.etsi.org/deliver/etsi_ts/133200_133299/133204/09.00.00_60/ |
| TTC | TS-3GA-33.204(Rel9)v9.0.0 | 9.0.0 | Approved | Jul 10 | http://www.ttc.or.jp/j/document_list/free/3gpps2010/TS/TS-3GA-33.204(Rel9)v9.0.0.pdf |
| Release 10 | | | | | |
| CCSA | CCSA-TSD-DS-33.204 | 10.0.0 | Published | Jun 12 | http://www.ccsa.org.cn/english/tc/files.php?docpath=/ITU-R/M.1457/M.1457-12/DS |
| ETSI | ETSI TS 133 204 | 10.0.0 | Published | Apr 11 | http://www.etsi.org/deliver/etsi_ts/133200_133299/133204/10.00.00_60/ |
| TTA | TTAT.3G-33.204(R10-10.0.0) | 10.0.0 | Approved | Apr 12 | http://www.tta.or.kr/data/ttasDown.jsp?where=14688&pk_num=TTAT.3G-33.204(R10-10.0.0) |
| TTC | TS-3GA-33.204(Rel10)v10.0.0 | 10.0.0 | Approved | Jun 11 | http://www.ttc.or.jp/j/document_list/free/3gpps2011/TS/TS-3GA-33.204(Rel10)v10.0.0.pdf |
| Release 11 | | | | | |
| CCSA | CCSA-TSD-DS-33.204 | 11.0.0 | Published | Jun 14 | http://www.ccsa.org.cn/english/tc/files.php?docpath=/ITU-R/M.1457/M.1457-12/DS |
| ETSI | ETSI TS 133 204 | 11.0.0 | Published | Nov 12 | http://www.etsi.org/deliver/etsi_ts/133200_133299/133204/11.00.00_60/ |
| TTA | TTAT.3G-33.204(R11-11.0.0) | 11.0.0 | published | Aug 13 | http://www.tta.or.kr/data/ttasDown.jsp?where=14688&pk_num=TTAT.3G-33.204(R11-11.0.0) |
| TTC | TS-3GA-33.204(Rel11)v11.0.0 | 11.0.0 | Approved | Jun 13 | http://www.ttc.or.jp/j/document_list/free/3gpps2013/TS/TS-3GA-33.204(Rel11)v11.0.0.pdf |

5.1.2.13.112 TS 33.210

3G security; Network Domain Security (NDS); IP network layer security

This document defines the security architecture for network domain IP based control planes, which shall be applied to NDS/IP-networks (i.e. 3GPP and fixed broadband networks). The scope of network domain control plane security is to cover the control signalling on selected interfaces between network elements of NDS/IP networks.

| SDO (2) | Document No. | Version | Status | Issued date | Location (1) |
|-------------------|----------------------------|---------|-----------|-------------|---|
| Release 5 | | | | | |
| ARIB | ARIB STD-T63-33.210 | 5.5.0 | Approved | Jul 13 | http://www.arib.or.jp/english/html/overview/doc/STD-T63v10_00/2_T63/ARIB-STD-T63/Rel5/33/A33210-550.pdf |
| CCSA | CCSA-TSD-DS-33.210 | 5.5.0 | Published | Jun 12 | http://www.ccsa.org.cn/english/tc/files.php?docpath=/ITU-R/M.1457/M.1457-12/DS |
| ETSI | ETSI TS 133 210 | 5.5.0 | Published | Oct 03 | http://www.etsi.org/deliver/etsi_ts/133200_133299/133210/05.05.00_60/ |
| Release 6 | | | | | |
| ARIB | ARIB STD-T63-33.210 | 6.6.0 | Approved | Jul 13 | http://www.arib.or.jp/english/html/overview/doc/STD-T63v10_00/2_T63/ARIB-STD-T63/Rel6/33/A33210-660.pdf |
| CCSA | CCSA-TSD-DS-33.210 | 6.6.0 | Published | Jun 12 | http://www.ccsa.org.cn/english/tc/files.php?docpath=/ITU-R/M.1457/M.1457-12/DS |
| ETSI | ETSI TS 133 210 | 6.6.0 | Published | Oct 06 | http://www.etsi.org/deliver/etsi_ts/133200_133299/133210/06.06.00_60/ |
| Release 7 | | | | | |
| ARIB | ARIB STD-T63-33.210 | 7.3.0 | Approved | Jul 13 | http://www.arib.or.jp/english/html/overview/doc/STD-T63v10_00/2_T63/ARIB-STD-T63/Rel7/33/A33210-730.pdf |
| CCSA | CCSA-TSD-DS-33.210 | 7.3.0 | Published | Jun 12 | http://www.ccsa.org.cn/english/tc/files.php?docpath=/ITU-R/M.1457/M.1457-12/DS |
| ETSI | ETSI TS 133 210 | 7.3.0 | Published | Oct 07 | http://www.etsi.org/deliver/etsi_ts/133200_133299/133210/07.03.00_60/ |
| Release 8 | | | | | |
| ARIB | ARIB STD-T63-33.210 | 8.3.0 | Approved | Jul 13 | http://www.arib.or.jp/english/html/overview/doc/STD-T63v10_00/2_T63/ARIB-STD-T63/Rel8/33/A33210-830.pdf |
| CCSA | CCSA-TSD-DS-33.210 | 8.3.0 | Published | Jun 12 | http://www.ccsa.org.cn/english/tc/files.php?docpath=/ITU-R/M.1457/M.1457-12/DS |
| ETSI | ETSI TS 133 210 | 8.3.0 | Published | Jul 09 | http://www.etsi.org/deliver/etsi_ts/133200_133299/133210/08.03.00_60/ |
| Release 9 | | | | | |
| ARIB | ARIB STD-T63-33.210 | 9.1.0 | Approved | Jul 13 | http://www.arib.or.jp/english/html/overview/doc/STD-T63v10_00/2_T63/ARIB-STD-T63/Rel9/33/A33210-910.pdf |
| CCSA | CCSA-TSD-DS-33.210 | 9.1.0 | Published | Jun 12 | http://www.ccsa.org.cn/english/tc/files.php?docpath=/ITU-R/M.1457/M.1457-12/DS |
| ETSI | ETSI TS 133 210 | 9.1.0 | Published | Jul 10 | http://www.etsi.org/deliver/etsi_ts/133200_133299/133210/09.01.00_60/ |
| Release 10 | | | | | |
| ARIB | ARIB STD-T63-33.210 | 10.3.0 | Approved | Jul 13 | http://www.arib.or.jp/english/html/overview/doc/STD-T63v10_00/2_T63/ARIB-STD-T63/Rel10/33/A33210-a30.pdf |
| CCSA | CCSA-TSD-DS-33.210 | 10.3.0 | Published | Jun 12 | http://www.ccsa.org.cn/english/tc/files.php?docpath=/ITU-R/M.1457/M.1457-12/DS |
| ETSI | ETSI TS 133 210 | 10.3.0 | Published | Jun 11 | http://www.etsi.org/deliver/etsi_ts/133200_133299/133210/10.03.00_60/ |
| TTA | TTAT.3G-33.210(R10-10.3.0) | 10.3.0 | Approved | Apr 12 | http://www.tta.or.kr/data/ttasDown.jsp?where=14688&pk_num=TTAT.3G-33.210(R10-10.3.0) |
| Release 11 | | | | | |
| ARIB | ARIB STD-T63-33.210 | 11.4.0 | Approved | Jul 13 | http://www.arib.or.jp/english/html/overview/doc/STD-T63v10_00/2_T63/ARIB-STD-T63/Rel11/33/A33210-b40.pdf |
| CCSA | CCSA-TSD-DS-33.210 | 11.4.0 | Published | Jun 14 | http://www.ccsa.org.cn/english/tc/files.php?docpath=/ITU-R/M.1457/M.1457-12/DS |
| ETSI | ETSI TS 133 210 | 11.4.0 | Published | Oct 12 | http://www.etsi.org/deliver/etsi_ts/133200_133299/133210/11.04.00_60/ |
| TTA | TTAT.3G-33.210(R11-11.4.0) | 11.4.0 | published | Aug 13 | http://www.tta.or.kr/data/ttasDown.jsp?where=14688&pk_num=TTAT.3G-33.210(R11-11.4.0) |

5.1.2.13.113 TS 33.220

Generic Authentication Architecture (GAA); Generic Bootstrapping Architecture (GBA)

This document describes the security features and a mechanism to bootstrap authentication and key agreement for application security from the 3GPP AKA mechanism. Candidate applications to use this bootstrapping mechanism include but are not restricted to subscriber certificate distribution TS 33.221. Subscriber certificates support services whose provision mobile operator assists, as well as services that mobile operator provides. The scope of this specification includes a generic AKA bootstrapping function, an architecture overview and the detailed procedure how to bootstrap the credential. Clause 4 of this specification describes a mechanism, called GBA_ME, to bootstrap authentication and key agreement, which does not require any changes to the UICC. Clause 5 of this specification describes a mechanism, called GBA_U, to bootstrap authentication and key agreement, which does require changes to the UICC, but provides enhanced security by storing certain derived keys on the UICC.

| SDO (2) | Document No. | Version | Status | Issued date | Location (1) |
|-------------------|----------------------------|---------|-----------|-------------|---|
| Release 6 | | | | | |
| ARIB | ARIB STD-T63-33.220 | 6.13.0 | Approved | Jul 13 | http://www.arib.or.jp/english/html/overview/doc/STD-T63v10_00/2_T63/ARIB-STD-T63/Rel6/33/A33220-6d0.pdf |
| CCSA | CCSA-TSD-DS-33.220 | 6.13.0 | Published | Jun 12 | http://www.ccsa.org.cn/english/tc/files.php?docpath=/ITU-R/M.1457/M.1457-12/DS |
| ETSI | ETSI TS 133 220 | 6.13.0 | Published | Jul 07 | http://www.etsi.org/deliver/etsi_ts/133200_133299/133220/06.13.00_60/ |
| Release 7 | | | | | |
| ARIB | ARIB STD-T63-33.220 | 7.11.0 | Approved | Jul 13 | http://www.arib.or.jp/english/html/overview/doc/STD-T63v10_00/2_T63/ARIB-STD-T63/Rel7/33/A33220-7b0.pdf |
| CCSA | CCSA-TSD-DS-33.220 | 7.11.0 | Published | Jun 12 | http://www.ccsa.org.cn/english/tc/files.php?docpath=/ITU-R/M.1457/M.1457-12/DS |
| ETSI | ETSI TS 133 220 | 7.11.0 | Published | Apr 08 | http://www.etsi.org/deliver/etsi_ts/133200_133299/133220/07.11.00_60/ |
| Release 8 | | | | | |
| ARIB | ARIB STD-T63-33.220 | 8.9.0 | Approved | Jul 13 | http://www.arib.or.jp/english/html/overview/doc/STD-T63v10_00/2_T63/ARIB-STD-T63/Rel8/33/A33220-890.pdf |
| CCSA | CCSA-TSD-DS-33.220 | 8.8.0 | Published | Jun 12 | http://www.ccsa.org.cn/english/tc/files.php?docpath=/ITU-R/M.1457/M.1457-12/DS |
| ETSI | ETSI TS 133 220 | 8.9.0 | Published | Mar 12 | http://www.etsi.org/deliver/etsi_ts/133200_133299/133220/08.09.00_60/ |
| Release 9 | | | | | |
| ARIB | ARIB STD-T63-33.220 | 9.4.0 | Approved | Jul 13 | http://www.arib.or.jp/english/html/overview/doc/STD-T63v10_00/2_T63/ARIB-STD-T63/Rel9/33/A33220-940.pdf |
| CCSA | CCSA-TSD-DS-33.220 | 9.3.0 | Published | Jun 12 | http://www.ccsa.org.cn/english/tc/files.php?docpath=/ITU-R/M.1457/M.1457-12/DS |
| ETSI | ETSI TS 133 220 | 9.4.0 | Published | Mar 12 | http://www.etsi.org/deliver/etsi_ts/133200_133299/133220/09.04.00_60/ |
| Release 10 | | | | | |
| ARIB | ARIB STD-T63-33.220 | 10.1.0 | Approved | Jul 13 | http://www.arib.or.jp/english/html/overview/doc/STD-T63v10_00/2_T63/ARIB-STD-T63/Rel10/33/A33220-a10.pdf |
| CCSA | CCSA-TSD-DS-33.220 | 10.0.0 | Published | Jun 12 | http://www.ccsa.org.cn/english/tc/files.php?docpath=/ITU-R/M.1457/M.1457-12/DS |
| ETSI | ETSI TS 133 220 | 10.1.0 | Published | Mar 12 | http://www.etsi.org/deliver/etsi_ts/133200_133299/133220/10.01.00_60/ |
| TTA | TTAT.3G-33.220(R10-10.1.0) | 10.1.0 | Approved | Aug 12 | http://www.tta.or.kr/data/ttasDown.jsp?where=14688&pk_num=TTAT.3G-33.220(R10-10.1.0) |
| Release 11 | | | | | |
| ARIB | ARIB STD-T63-33.220 | 11.4.0 | Approved | Jul 13 | http://www.arib.or.jp/english/html/overview/doc/STD-T63v10_00/2_T63/ARIB-STD-T63/Rel11/33/A33220-b40.pdf |
| CCSA | CCSA-TSD-DS-33.220 | 11.5.0 | Published | Jun 14 | http://www.ccsa.org.cn/english/tc/files.php?docpath=/ITU-R/M.1457/M.1457-12/DS |
| ETSI | ETSI TS 133 220 | 11.4.0 | Published | Oct 12 | http://www.etsi.org/deliver/etsi_ts/133200_133299/133220/11.04.00_60/ |
| TTA | TTAT.3G-33.220(R11-11.4.0) | 11.4.0 | published | Aug 13 | http://www.tta.or.kr/data/ttasDown.jsp?where=14688&pk_num=TTAT.3G-33.220(R11-11.4.0) |

5.1.2.13.114 TS 33.221

Generic Authentication Architecture (GAA); Support for subscriber certificates

This document describes subscriber certificate distribution by means of generic bootstrapping architecture (GBA) TS 33.220. Subscriber certificates support

services whose provision the mobile operator assists, as well as services that are offered by the mobile operator. The scope of this specification presents signalling procedures for support of issuing certificates to subscribers and the standard format of certificates and digital signatures. It is not intended to duplicate existing standards being developed by other groups on these topics, and will reference these where appropriate.

| SDO (2) | Document No. | Version | Status | Issued date | Location (1) |
|-------------------|----------------------------|---------|-----------|-------------|---|
| Release 6 | | | | | |
| ARIB | ARIB STD-T63-33.221 | 6.4.0 | Approved | Jul 13 | http://www.arib.or.jp/english/html/overview/doc/STD-T63v10_00/2_T63/ARIB-STD-T63/Rel6/33/A33221-640.pdf |
| CCSA | CCSA-TSD-DS-33.221 | 6.4.0 | Published | Jun 12 | http://www.ccsa.org.cn/english/tc/files.php?docpath=/ITU-R/M.1457/M.1457-12/DS |
| ETSI | ETSI TS 133 221 | 6.4.0 | Published | Jul 07 | http://www.etsi.org/deliver/etsi_ts/133200_133299/133221/06.04.00_60/ |
| Release 7 | | | | | |
| ARIB | ARIB STD-T63-33.221 | 7.1.0 | Approved | Jul 13 | http://www.arib.or.jp/english/html/overview/doc/STD-T63v10_00/2_T63/ARIB-STD-T63/Rel7/33/A33221-710.pdf |
| CCSA | CCSA-TSD-DS-33.221 | 7.1.0 | Published | Jun 12 | http://www.ccsa.org.cn/english/tc/files.php?docpath=/ITU-R/M.1457/M.1457-12/DS |
| ETSI | ETSI TS 133 221 | 7.1.0 | Published | Jan 08 | http://www.etsi.org/deliver/etsi_ts/133200_133299/133221/07.01.00_60/ |
| Release 8 | | | | | |
| ARIB | ARIB STD-T63-33.221 | 8.0.0 | Approved | Jul 13 | http://www.arib.or.jp/english/html/overview/doc/STD-T63v10_00/2_T63/ARIB-STD-T63/Rel8/33/A33221-800.pdf |
| CCSA | CCSA-TSD-DS-33.221 | 8.0.0 | Published | Jun 12 | http://www.ccsa.org.cn/english/tc/files.php?docpath=/ITU-R/M.1457/M.1457-12/DS |
| ETSI | ETSI TS 133 221 | 8.0.0 | Published | Feb 09 | http://www.etsi.org/deliver/etsi_ts/133200_133299/133221/08.00.00_60/ |
| Release 9 | | | | | |
| ARIB | ARIB STD-T63-33.221 | 9.1.0 | Approved | Jul 13 | http://www.arib.or.jp/english/html/overview/doc/STD-T63v10_00/2_T63/ARIB-STD-T63/Rel9/33/A33221-910.pdf |
| CCSA | CCSA-TSD-DS-33.221 | 9.1.0 | Published | Jun 12 | http://www.ccsa.org.cn/english/tc/files.php?docpath=/ITU-R/M.1457/M.1457-12/DS |
| ETSI | ETSI TS 133 221 | 9.1.0 | Published | Jul 10 | http://www.etsi.org/deliver/etsi_ts/133200_133299/133221/09.01.00_60/ |
| Release 10 | | | | | |
| ARIB | ARIB STD-T63-33.221 | 10.0.0 | Approved | Jul 13 | http://www.arib.or.jp/english/html/overview/doc/STD-T63v10_00/2_T63/ARIB-STD-T63/Rel10/33/A33221-a00.pdf |
| CCSA | CCSA-TSD-DS-33.221 | 10.0.0 | Published | Jun 12 | http://www.ccsa.org.cn/english/tc/files.php?docpath=/ITU-R/M.1457/M.1457-12/DS |
| ETSI | ETSI TS 133 221 | 10.0.0 | Published | Apr 11 | http://www.etsi.org/deliver/etsi_ts/133200_133299/133221/10.00.00_60/ |
| TTA | TTAT.3G-33.221(R10-10.0.0) | 10.0.0 | Approved | Apr 12 | http://www.tta.or.kr/data/ttasDown.jsp?where=14688&pk_num=TTAT.3G-33.221(R10-10.0.0) |
| Release 11 | | | | | |
| ARIB | ARIB STD-T63-33.221 | 11.0.1 | Approved | Jul 13 | http://www.arib.or.jp/english/html/overview/doc/STD-T63v10_00/2_T63/ARIB-STD-T63/Rel11/33/A33221-b01.pdf |
| CCSA | CCSA-TSD-DS-33.221 | 11.1.0 | Published | Jun 14 | http://www.ccsa.org.cn/english/tc/files.php?docpath=/ITU-R/M.1457/M.1457-12/DS |
| ETSI | ETSI TS 133 221 | 11.0.1 | Published | Nov 12 | http://www.etsi.org/deliver/etsi_ts/133200_133299/133221/11.00.01_60/ |
| TTA | TTAT.3G-33.221(R11-11.0.1) | 11.0.1 | published | Aug 13 | http://www.tta.or.kr/data/ttasDown.jsp?where=14688&pk_num=TTAT.3G-33.221(R11-11.0.1) |

5..2.13.115 TS 33.222

Generic Authentication Architecture (GAA); Access to network application functions using Hypertext Transfer Protocol over Transport Layer Security (HTTPS)

This document specifies secure access methods to Network Application Functions (NAF) using HTTP over TLS in the Generic Authentication Architecture (GAA), and provides Stage 2 security requirements, principles and procedures for the access. This document describes both direct access to an Application Server (AS) and access to an Application Server through an Authentication Proxy (AP).

| SDO (2) | Document No. | Version | Status | Issued date | Location (1) |
|-------------------|----------------------------|---------|-----------|-------------|---|
| Release 6 | | | | | |
| ARIB | ARIB STD-T63-33.222 | 6.6.0 | Approved | Jul 13 | http://www.arib.or.jp/english/html/overview/doc/STD-T63v10_00/2_T63/ARIB-STD-T63/Rel6/33/A33222-660.pdf |
| CCSA | CCSA-TSD-DS-33.222 | 6.6.0 | Published | Jun 12 | http://www.ccsa.org.cn/english/tc/files.php?docpath=/ITU-R/M.1457/M.1457-12/DS |
| ETSI | ETSI TS 133 222 | 6.6.0 | Published | May 06 | http://www.etsi.org/deliver/etsi_ts/133200_133299/133222/06.06.00_60/ |
| Release 7 | | | | | |
| ARIB | ARIB STD-T63-33.222 | 7.3.0 | Approved | Jul 13 | http://www.arib.or.jp/english/html/overview/doc/STD-T63v10_00/2_T63/ARIB-STD-T63/Rel7/33/A33222-730.pdf |
| CCSA | CCSA-TSD-DS-33.222 | 7.3.0 | Published | Jun 12 | http://www.ccsa.org.cn/english/tc/files.php?docpath=/ITU-R/M.1457/M.1457-12/DS |
| ETSI | ETSI TS 133 222 | 7.3.0 | Published | Jan 08 | http://www.etsi.org/deliver/etsi_ts/133200_133299/133222/07.03.00_60/ |
| Release 8 | | | | | |
| ARIB | ARIB STD-T63-33.222 | 8.0.0 | Approved | Jul 13 | http://www.arib.or.jp/english/html/overview/doc/STD-T63v10_00/2_T63/ARIB-STD-T63/Rel8/33/A33222-800.pdf |
| CCSA | CCSA-TSD-DS-33.222 | 8.0.0 | Published | Jun 12 | http://www.ccsa.org.cn/english/tc/files.php?docpath=/ITU-R/M.1457/M.1457-12/DS |
| ETSI | ETSI TS 133 222 | 8.0.0 | Published | Jan 09 | http://www.etsi.org/deliver/etsi_ts/133200_133299/133222/08.00.00_60/ |
| Release 9 | | | | | |
| ARIB | ARIB STD-T63-33.222 | 9.1.0 | Approved | Jul 13 | http://www.arib.or.jp/english/html/overview/doc/STD-T63v10_00/2_T63/ARIB-STD-T63/Rel9/33/A33222-910.pdf |
| CCSA | CCSA-TSD-DS-33.222 | 9.1.0 | Published | Jun 12 | http://www.ccsa.org.cn/english/tc/files.php?docpath=/ITU-R/M.1457/M.1457-12/DS |
| ETSI | ETSI TS 133 222 | 9.1.0 | Published | Jul 10 | http://www.etsi.org/deliver/etsi_ts/133200_133299/133222/09.01.00_60/ |
| Release 10 | | | | | |
| ARIB | ARIB STD-T63-33.222 | 10.0.1 | Approved | Jul 13 | http://www.arib.or.jp/english/html/overview/doc/STD-T63v10_00/2_T63/ARIB-STD-T63/Rel10/33/A33222-a01.pdf |
| CCSA | CCSA-TSD-DS-33.222 | 10.0.1 | Published | Jun 12 | http://www.ccsa.org.cn/english/tc/files.php?docpath=/ITU-R/M.1457/M.1457-12/DS |
| ETSI | ETSI TS 133 222 | 10.0.1 | Published | Jan 12 | http://www.etsi.org/deliver/etsi_ts/133200_133299/133222/10.00.01_60/ |
| TTA | TTAT.3G-33.222(R10-10.0.1) | 10.0.1 | Approved | Aug 12 | http://www.tta.or.kr/data/ttasDown.jsp?where=14688&pk_num=TTAT.3G-33.222(R10-10.0.1) |
| Release 11 | | | | | |
| ARIB | ARIB STD-T63-33.222 | 11.2.2 | Approved | Jul 13 | http://www.arib.or.jp/english/html/overview/doc/STD-T63v10_00/2_T63/ARIB-STD-T63/Rel11/33/A33222-b22.pdf |
| CCSA | CCSA-TSD-DS-33.222 | 11.3.0 | Published | Jun 14 | http://www.ccsa.org.cn/english/tc/files.php?docpath=/ITU-R/M.1457/M.1457-12/DS |
| ETSI | ETSI TS 133 222 | 11.2.2 | Published | Nov 12 | http://www.etsi.org/deliver/etsi_ts/133200_133299/133222/11.02.02_60/ |
| TTA | TTAT.3G-33.222(R11-11.2.2) | 11.2.2 | published | Aug 13 | http://www.tta.or.kr/data/ttasDown.jsp?where=14688&pk_num=TTAT.3G-33.222(R11-11.2.2) |

5.1.2.13.116 TS 33.223

Generic Authentication Architecture (GAA); Generic Bootstrapping Architecture (GBA) push layer

This document specifies a Push Function as a functional add-on for the Generic Authentication Architecture (GAA).

| SDO (2) | Document No. | Version | Status | Issued date | Location (1) |
|------------------|---------------------|---------|-----------|-------------|---|
| Release 8 | | | | | |
| ARIB | ARIB STD-T63-33.223 | 8.6.0 | Approved | Jul 13 | http://www.arib.or.jp/english/html/overview/doc/STD-T63v10_00/2_T63/ARIB-STD-T63/Rel8/33/A33223-860.pdf |
| CCSA | CCSA-TSD-DS-33.223 | 8.6.0 | Published | Jun 12 | http://www.ccsa.org.cn/english/tc/files.php?docpath=/ITU-R/M.1457/M.1457-12/DS |
| ETSI | ETSI TS 133 223 | 8.6.0 | Published | Apr 10 | http://www.etsi.org/deliver/etsi_ts/133200_133299/133223/08.06.00_60/ |
| Release 9 | | | | | |
| ARIB | ARIB STD-T63-33.223 | 9.1.0 | Approved | Jul 13 | http://www.arib.or.jp/english/html/overview/doc/STD-T63v10_00/2_T63/ARIB-STD-T63/Rel9/33/A33223-910.pdf |
| CCSA | CCSA-TSD-DS-33.223 | 9.1.0 | Published | Jun 12 | http://www.ccsa.org.cn/english/tc/files.php?docpath=/ITU-R/M.1457/M.1457-12/DS |
| ETSI | ETSI TS 133 223 | 9.1.0 | Published | Apr 10 | http://www.etsi.org/deliver/etsi_ts/133200_133299/133223/09.01.00_60/ |

Release 10

| | | | | | |
|------|----------------------------|--------|-----------|--------|---|
| ARIB | ARIB STD-T63-33.223 | 10.0.0 | Approved | Jul 13 | http://www.arib.or.jp/english/html/overview/doc/STD-T63v10_00/2_T63/ARIB-STD-T63/Rel10/33/A33223-a00.pdf |
| CCSA | CCSA-TSD-DS-33.223 | 10.0.0 | Published | Jun 12 | http://www.ccsa.org.cn/english/tc/files.php?docpath=/ITU-R/M.1457/M.1457-12/DS |
| ETSI | ETSI TS 133 223 | 10.0.0 | Published | Apr 11 | http://www.etsi.org/deliver/etsi_ts/133200_133299/133223/10.00.00_60/ |
| TTA | TTAT.3G-33.223(R10-10.0.0) | 10.0.0 | Approved | Apr 12 | http://www.tta.or.kr/data/ttasDown.jsp?where=14688&pk_num=TTAT.3G-33.223(R10-10.0.0) |

Release 11

| | | | | | |
|------|----------------------------|--------|-----------|--------|---|
| ARIB | ARIB STD-T63-33.223 | 11.0.0 | Approved | Jul 13 | http://www.arib.or.jp/english/html/overview/doc/STD-T63v10_00/2_T63/ARIB-STD-T63/Rel11/33/A33223-b00.pdf |
| CCSA | CCSA-TSD-DS-33.223 | 11.0.0 | Published | Jun 14 | http://www.ccsa.org.cn/english/tc/files.php?docpath=/ITU-R/M.1457/M.1457-12/DS |
| ETSI | ETSI TS 133 223 | 11.0.0 | Published | Oct 12 | http://www.etsi.org/deliver/etsi_ts/133200_133299/133223/11.00.00_60/ |
| TTA | TTAT.3G-33.223(R11-11.0.0) | 11.0.0 | published | Aug 13 | http://www.tta.or.kr/data/ttasDown.jsp?where=14688&pk_num=TTAT.3G-33.223(R11-11.0.0) |

5.1.2.13.117 TS 33.224**Generic Authentication Architecture (GAA); Generic Bootstrapping Architecture (GBA) push layer**

This document specifies a generic push layer that makes use of the GBA Push Function as specified in TS 33.223. The GPL specification includes a message format, cipher suites and processing model. GPL assumes that keys and other SA parameters have been preinstalled in the Push-NAF and UE in the form of a NAF SA. GPL is a protection protocol that can be applied in a unidirectional fashion. The rationale for GPL is that having each application specify its own security mechanisms would for obvious reasons lead to duplication of work, specifications and implementations.

Using a generic secure push layer avoids these problems. A generic secure push layer may also relieve the applications using the service of having to be aware of inner working of the security layer.

| SDO (2) | Document No. | Version | Status | Issued date | Location (1) |
|-------------------|-----------------------------|---------|-----------|-------------|---|
| Release 9 | | | | | |
| CCSA | CCSA-TSD-DS-33.224 | 9.2.0 | Published | Jun 12 | http://www.ccsa.org.cn/english/tc/files.php?docpath=/ITU-R/M.1457/M.1457-12/DS |
| ETSI | ETSI TS 133 224 | 9.2.0 | Published | Apr 10 | http://www.etsi.org/deliver/etsi_ts/133200_133299/133224/09.02.00_60/ |
| TTC | TS-3GA-33.224(Rel9)v9.2.0 | 9.2.0 | Approved | Jul 10 | http://www.ttc.or.jp/j/document_list/free/3gpps2010/TS/TS-3GA-33.224(Rel9)v9.2.0.pdf |
| Release 10 | | | | | |
| CCSA | CCSA-TSD-DS-33.224 | 10.0.0 | Published | Jun 12 | http://www.ccsa.org.cn/english/tc/files.php?docpath=/ITU-R/M.1457/M.1457-12/DS |
| ETSI | ETSI TS 133 224 | 10.1.0 | Published | Apr 13 | http://www.etsi.org/deliver/etsi_ts/133200_133299/133224/10.01.00_60/ |
| TTA | TTAT.3G-33.224(R10-10.0.0) | 10.0.0 | Approved | Apr 12 | http://www.tta.or.kr/data/ttasDown.jsp?where=14688&pk_num=TTAT.3G-33.224(R10-10.0.0) |
| TTC | TS-3GA-33.224(Rel10)v10.1.0 | 10.1.0 | Approved | Jun 13 | http://www.ttc.or.jp/j/document_list/free/3gpps2013/TS/TS-3GA-33.224(Rel10)v10.1.0.pdf |
| Release 11 | | | | | |
| CCSA | CCSA-TSD-DS-33.224 | 11.1.0 | Published | Jun 14 | http://www.ccsa.org.cn/english/tc/files.php?docpath=/ITU-R/M.1457/M.1457-12/DS |
| ETSI | ETSI TS 133 224 | 11.1.0 | Published | Apr 13 | http://www.etsi.org/deliver/etsi_ts/133200_133299/133224/11.01.00_60/ |
| TTA | TTAT.3G-33.224(R11-11.1.0) | 11.1.0 | published | Aug 13 | http://www.tta.or.kr/data/ttasDown.jsp?where=14688&pk_num=TTAT.3G-33.224(R11-11.1.0) |
| TTC | TS-3GA-33.224(Rel11)v11.1.0 | 11.1.0 | Approved | Jun 13 | http://www.ttc.or.jp/j/document_list/free/3gpps2013/TS/TS-3GA-33.224(Rel11)v11.1.0.pdf |

5.1.2.13.118 TS 33.234**3G security; Wireless Local Area Network (WLAN) interworking security**

This document specifies the security architecture; trust model and security requirements for the interworking of the 3GPP System and WLAN Access

Networks. This specification is not limited to WLAN technologies. It is also valid for other IP based Access Networks that support the same security capabilities towards the interworking system as WLAN does. Specifications of the appropriate mechanisms for user and network authentication, key management, service authorization, confidentiality and integrity protection of user and signalling data are also provided.

| SDO (2) | Document No. | Version | Status | Issued date | Location (1) |
|-------------------|----------------------------|---------|-----------|-------------|---|
| Release 6 | | | | | |
| ARIB | ARIB STD-T63-33.234 | 6.9.0 | Approved | Jul 13 | http://www.arib.or.jp/english/html/overview/doc/STD-T63v10_00/2_T63/ARIB-STD-T63/Rel6/33/A33234-690.pdf |
| CCSA | CCSA-TSD-DS-33.234 | 6.9.0 | Published | Jun 12 | http://www.ccsa.org.cn/english/tc/files.php?docpath=/ITU-R/M.1457/M.1457-12/DS |
| ETSI | ETSI TS 133 234 | 6.9.0 | Published | Apr 07 | http://www.etsi.org/deliver/etsi_ts/133200_133299/133234/06.09.00_60/ |
| Release 7 | | | | | |
| ARIB | ARIB STD-T63-33.234 | 7.5.0 | Approved | Jul 13 | http://www.arib.or.jp/english/html/overview/doc/STD-T63v10_00/2_T63/ARIB-STD-T63/Rel7/33/A33234-750.pdf |
| CCSA | CCSA-TSD-DS-33.234 | 7.5.0 | Published | Jun 12 | http://www.ccsa.org.cn/english/tc/files.php?docpath=/ITU-R/M.1457/M.1457-12/DS |
| ETSI | ETSI TS 133 234 | 7.5.0 | Published | Jun 07 | http://www.etsi.org/deliver/etsi_ts/133200_133299/133234/07.05.00_60/ |
| Release 8 | | | | | |
| ARIB | ARIB STD-T63-33.234 | 8.1.0 | Approved | Jul 13 | http://www.arib.or.jp/english/html/overview/doc/STD-T63v10_00/2_T63/ARIB-STD-T63/Rel8/33/A33234-810.pdf |
| CCSA | CCSA-TSD-DS-33.234 | 8.1.0 | Published | Jun 12 | http://www.ccsa.org.cn/english/tc/files.php?docpath=/ITU-R/M.1457/M.1457-12/DS |
| ETSI | ETSI TS 133 234 | 8.1.0 | Published | Feb 09 | http://www.etsi.org/deliver/etsi_ts/133200_133299/133234/08.01.00_60/ |
| Release 9 | | | | | |
| ARIB | ARIB STD-T63-33.234 | 9.2.0 | Approved | Jul 13 | http://www.arib.or.jp/english/html/overview/doc/STD-T63v10_00/2_T63/ARIB-STD-T63/Rel9/33/A33234-920.pdf |
| CCSA | CCSA-TSD-DS-33.234 | 9.2.0 | Published | Jun 12 | http://www.ccsa.org.cn/english/tc/files.php?docpath=/ITU-R/M.1457/M.1457-12/DS |
| ETSI | ETSI TS 133 234 | 9.2.0 | Published | Jul 10 | http://www.etsi.org/deliver/etsi_ts/133200_133299/133234/09.02.00_60/ |
| Release 10 | | | | | |
| ARIB | ARIB STD-T63-33.234 | 10.2.0 | Approved | Jul 13 | http://www.arib.or.jp/english/html/overview/doc/STD-T63v10_00/2_T63/ARIB-STD-T63/Rel10/33/A33234-a20.pdf |
| CCSA | CCSA-TSD-DS-33.234 | 10.1.0 | Published | Jun 12 | http://www.ccsa.org.cn/english/tc/files.php?docpath=/ITU-R/M.1457/M.1457-12/DS |
| ETSI | ETSI TS 133 234 | 10.2.0 | Published | Mar 12 | http://www.etsi.org/deliver/etsi_ts/133200_133299/133234/10.02.00_60/ |
| TTA | TTAT.3G-33.234(R10-10.2.0) | 10.2.0 | Approved | Aug 12 | http://www.tta.or.kr/data/ttasDown.jsp?where=14688&pk_num=TTAT.3G-33.234(R10-10.2.0) |
| Release 11 | | | | | |
| ARIB | ARIB STD-T63-33.234 | 11.4.0 | Approved | Jul 13 | http://www.arib.or.jp/english/html/overview/doc/STD-T63v10_00/2_T63/ARIB-STD-T63/Rel11/33/A33234-b40.pdf |
| CCSA | CCSA-TSD-DS-33.234 | 11.4.0 | Published | Jun 14 | http://www.ccsa.org.cn/english/tc/files.php?docpath=/ITU-R/M.1457/M.1457-12/DS |
| ETSI | ETSI TS 133 234 | 11.4.0 | Published | Nov 12 | http://www.etsi.org/deliver/etsi_ts/133200_133299/133234/11.04.00_60/ |
| TTA | TTAT.3G-33.234(R11-11.4.0) | 11.4.0 | published | Aug 13 | http://www.tta.or.kr/data/ttasDown.jsp?where=14688&pk_num=TTAT.3G-33.234(R11-11.4.0) |

5.1.2.13.119 TS 33.246

3G Security; Security of Multimedia Broadcast/Multicast Service (MBMS)

The Technical Specification covers the security procedures of the Multimedia Broadcast/Multicast Service (MBMS) for 3GPP systems (UTRAN, GERAN and E-UTRAN). MBMS is a 3GPP system network bearer service over which many different applications could be carried. The actual method of protection may vary depending on the type of MBMS application.

| SDO (2) | Document No. | Version | Status | Issued date | Location (1) |
|------------------|---------------------|---------|----------|-------------|---|
| Release 6 | | | | | |
| ARIB | ARIB STD-T63-33.246 | 6.12.0 | Approved | Jul 13 | http://www.arib.or.jp/english/html/overview/doc/STD-T63v10_00/2_T63/ARIB-STD-T63/Rel6/33/A33246-6c0.pdf |

| | | | | | |
|-------------------|----------------------------|--------|-----------|--------|---|
| CCSA | CCSA-TSD-DS-33.246 | 6.12.0 | Published | Jun 12 | http://www.ccsa.org.cn/english/tc/files.php?docpath=/ITU-R/M.1457/M.1457-12/DS |
| ETSI | ETSI TS 133 246 | 6.12.0 | Published | Oct 07 | http://www.etsi.org/deliver/etsi_ts/133200_133299/133246/06.12.00_60/ |
| Release 7 | | | | | |
| ARIB | ARIB STD-T63-33.246 | 7.6.0 | Approved | Jul 13 | http://www.arib.or.jp/english/html/overview/doc/STD-T63v10_00/2_T63/ARIB-STD-T63/Rel7/33/A33246-760.pdf |
| CCSA | CCSA-TSD-DS-33.246 | 7.6.0 | Published | Jun 12 | http://www.ccsa.org.cn/english/tc/files.php?docpath=/ITU-R/M.1457/M.1457-12/DS |
| ETSI | ETSI TS 133 246 | 7.6.0 | Published | Jan 08 | http://www.etsi.org/deliver/etsi_ts/133200_133299/133246/07.06.00_60/ |
| Release 8 | | | | | |
| ARIB | ARIB STD-T63-33.246 | 8.4.0 | Approved | Jul 13 | http://www.arib.or.jp/english/html/overview/doc/STD-T63v10_00/2_T63/ARIB-STD-T63/Rel8/33/A33246-840.pdf |
| CCSA | CCSA-TSD-DS-33.246 | 8.4.0 | Published | Jun 12 | http://www.ccsa.org.cn/english/tc/files.php?docpath=/ITU-R/M.1457/M.1457-12/DS |
| ETSI | ETSI TS 133 246 | 8.4.0 | Published | Jul 09 | http://www.etsi.org/deliver/etsi_ts/133200_133299/133246/08.04.00_60/ |
| Release 9 | | | | | |
| ARIB | ARIB STD-T63-33.246 | 9.1.0 | Approved | Jul 13 | http://www.arib.or.jp/english/html/overview/doc/STD-T63v10_00/2_T63/ARIB-STD-T63/Rel9/33/A33246-910.pdf |
| CCSA | CCSA-TSD-DS-33.246 | 9.0.0 | Published | Jun 12 | http://www.ccsa.org.cn/english/tc/files.php?docpath=/ITU-R/M.1457/M.1457-12/DS |
| ETSI | ETSI TS 133 246 | 9.1.0 | Published | Feb 13 | http://www.etsi.org/deliver/etsi_ts/133200_133299/133246/09.01.00_60/ |
| Release 10 | | | | | |
| ARIB | ARIB STD-T63-33.246 | 10.1.0 | Approved | Jul 13 | http://www.arib.or.jp/english/html/overview/doc/STD-T63v10_00/2_T63/ARIB-STD-T63/Rel10/33/A33246-a10.pdf |
| CCSA | CCSA-TSD-DS-33.246 | 10.0.0 | Published | Jun 12 | http://www.ccsa.org.cn/english/tc/files.php?docpath=/ITU-R/M.1457/M.1457-12/DS |
| ETSI | ETSI TS 133 246 | 10.1.0 | Published | Feb 13 | http://www.etsi.org/deliver/etsi_ts/133200_133299/133246/10.01.00_60/ |
| TTA | TTAT.3G-33.246(R10-10.0.0) | 10.0.0 | Approved | Apr 12 | http://www.tta.or.kr/data/ttasDown.jsp?where=14688&pk_num=TTAT.3G-33.246(R10-10.0.0) |
| Release 11 | | | | | |
| ARIB | ARIB STD-T63-33.246 | 11.1.0 | Approved | Jul 13 | http://www.arib.or.jp/english/html/overview/doc/STD-T63v10_00/2_T63/ARIB-STD-T63/Rel11/33/A33246-b10.pdf |
| CCSA | CCSA-TSD-DS-33.246 | 11.2.0 | Published | Jun 14 | http://www.ccsa.org.cn/english/tc/files.php?docpath=/ITU-R/M.1457/M.1457-12/DS |
| ETSI | ETSI TS 133 246 | 11.1.0 | Published | Feb 13 | http://www.etsi.org/deliver/etsi_ts/133200_133299/133246/11.01.00_60/ |
| TTA | TTAT.3G-33.246(R11-11.1.0) | 11.1.0 | published | Aug 13 | http://www.tta.or.kr/data/ttasDown.jsp?where=14688&pk_num=TTAT.3G-33.246(R11-11.1.0) |

5.1.2.13.120 TS 33.259

Key establishment between a UICC hosting device and a remote device

This document describes the security features and mechanisms to provision a shared key between a UICC Hosting Device and a Remote Device connected via a local interface. The shared secret is then intended to be used to secure the interface between the Remote Device and the UICC hosting device. Candidate applications to use this key establishment mechanism include but are not restricted to Personal Network Management (see TS 22.259). The scope of this specification includes an architecture overview and the detailed procedure how to establish the shared key between the UICC Hosting Device and the Remote Device. This is different from the Technical Specification TS 33.110 that describes an architecture overview and the detailed procedure how to establish the shared key between the UICC itself and the terminal hosting the UICC. The use cases utilizing the mechanisms described in this specification are seen to be different to the use cases where “Key establishment between a UICC and a terminal”, IETF RFC 4279 is utilized. The solution described in this document is built on the existing infrastructure defined in “GBA”, TS 33.220.

| SDO (2) | Document No. | Version | Status | Issued date | Location (1) |
|------------------|---------------------|---------|----------|-------------|---|
| Release 7 | | | | | |
| ARIB | ARIB STD-T63-33.259 | 7.2.0 | Approved | Jul 13 | http://www.arib.or.jp/english/html/overview/doc/STD-T63v10_00/2_T63/ARIB-STD-T63/Rel7/33/A33259-720.pdf |

| | | | | | |
|-------------------|----------------------------|--------|-----------|--------|---|
| CCSA | CCSA-TSD-DS-33.259 | 7.2.0 | Published | Jun 12 | http://www.ccsa.org.cn/english/tc/files.php?docpath=/ITU-R/M.1457/M.1457-12/DS |
| ETSI | ETSI TS 133 259 | 7.2.0 | Published | Jan 08 | http://www.etsi.org/deliver/etsi_ts/133200_133299/133259/07.02.00_60/ |
| Release 8 | | | | | |
| ARIB | ARIB STD-T63-33.259 | 8.2.0 | Approved | Jul 13 | http://www.arib.or.jp/english/html/overview/doc/STD-T63v10_00/2_T63/ARIB-STD-T63/Rel8/33/A33259-820.pdf |
| CCSA | CCSA-TSD-DS-33.259 | 8.2.0 | Published | Jun 12 | http://www.ccsa.org.cn/english/tc/files.php?docpath=/ITU-R/M.1457/M.1457-12/DS |
| ETSI | ETSI TS 133 259 | 8.2.0 | Published | Jan 09 | http://www.etsi.org/deliver/etsi_ts/133200_133299/133259/08.02.00_60/ |
| Release 9 | | | | | |
| ARIB | ARIB STD-T63-33.259 | 9.0.0 | Approved | Jul 13 | http://www.arib.or.jp/english/html/overview/doc/STD-T63v10_00/2_T63/ARIB-STD-T63/Rel9/33/A33259-900.pdf |
| CCSA | CCSA-TSD-DS-33.259 | 9.0.0 | Published | Jun 12 | http://www.ccsa.org.cn/english/tc/files.php?docpath=/ITU-R/M.1457/M.1457-12/DS |
| ETSI | ETSI TS 133 259 | 9.0.0 | Published | Feb 10 | http://www.etsi.org/deliver/etsi_ts/133200_133299/133259/09.00.00_60/ |
| Release 10 | | | | | |
| ARIB | ARIB STD-T63-33.259 | 10.0.0 | Approved | Jul 13 | http://www.arib.or.jp/english/html/overview/doc/STD-T63v10_00/2_T63/ARIB-STD-T63/Rel10/33/A33259-a00.pdf |
| CCSA | CCSA-TSD-DS-33.259 | 10.0.0 | Published | Jun 12 | http://www.ccsa.org.cn/english/tc/files.php?docpath=/ITU-R/M.1457/M.1457-12/DS |
| ETSI | ETSI TS 133 259 | 10.0.0 | Published | Apr 11 | http://www.etsi.org/deliver/etsi_ts/133200_133299/133259/10.00.00_60/ |
| TTA | TTAT.3G-33.259(R10-10.0.0) | 10.0.0 | Approved | Apr 12 | http://www.tta.or.kr/data/ttasDown.jsp?where=14688&pk_num=TTAT.3G-33.259(R10-10.0.0) |
| Release 11 | | | | | |
| ARIB | ARIB STD-T63-33.259 | 11.0.0 | Approved | Jul 13 | http://www.arib.or.jp/english/html/overview/doc/STD-T63v10_00/2_T63/ARIB-STD-T63/Rel11/33/A33259-b00.pdf |
| CCSA | CCSA-TSD-DS-33.259 | 11.0.0 | Published | Jun 14 | http://www.ccsa.org.cn/english/tc/files.php?docpath=/ITU-R/M.1457/M.1457-12/DS |
| ETSI | ETSI TS 133 259 | 11.0.0 | Published | Oct 12 | http://www.etsi.org/deliver/etsi_ts/133200_133299/133259/11.00.00_60/ |
| TTA | TTAT.3G-33.259(R11-11.0.0) | 11.0.0 | published | Aug 13 | http://www.tta.or.kr/data/ttasDown.jsp?where=14688&pk_num=TTAT.3G-33.259(R11-11.0.0) |

5.1.2.13.121 TS 33.310

Network Domain Security (NDS); Authentication Framework (AF)

The scope of this Technical Specification is limited to authentication of network elements, which are using NDS/IP or TLS. In the case of NDS/IP this specification includes both the authentication of Security Gateways (SEG) at the corresponding Za-interfaces and the authentication between NEs and between NEs and SEGs at the Zb-interface. Authentication of end entities (i.e. NEs and SEGs) in the intra-operator domain is considered an internal issue for operators. This is quite much in line with 3GPP TS 33.210 which states that only Za is mandatory and that the security domain operator can decide if the Zb-interface is deployed or not, as the Zb-interface is optional for implementation. Validity of certificates may be restricted to the operator's domain in case of Zb interface or in case of Za-interface between two security domains of the same operator. In the case of TLS this Specification concentrates on authentication of TLS entities across inter-operator links. For example, TLS is specified for inter-operator communications between IMS and non-IMS networks TS 33.203 and on the Zn' interface in GBA TS 33.220. Authentication of TLS entities across intra-operator links is considered an internal issue for operators. However, NDS/AF can easily be adapted to the intra-operator use case since it is just a simplification of the inter-operator case when all TLS NEs and the PKI infrastructure belong to the same operator. Validity of certificates may be restricted to the operator's domain. An Annex contains information on the manual handling of TLS certificates in case automatic enrolment and revocation according to NDS/AF for TLS is not implemented.

| SDO (2) | Document No. | Version | Status | Issued date | Location (1) |
|------------------|---------------------|---------|----------|-------------|---|
| Release 6 | | | | | |
| ARIB | ARIB STD-T63-33.310 | 6.2.0 | Approved | Jul 13 | http://www.arib.or.jp/english/html/overview/doc/STD-T63v10_00/2_T63/ARIB-STD-T63/Rel6/33/A33310-620.pdf |

| | | | | | |
|-------------------|----------------------------|--------|-----------|--------|---|
| CCSA | CCSA-TSD-DS-33.310 | 6.2.0 | Published | Jun 12 | http://www.ccsa.org.cn/english/tc/files.php?docpath=/ITU-R/M.1457/M.1457-12/DS |
| ETSI | ETSI TS 133 310 | 6.2.0 | Published | Jan 05 | http://www.etsi.org/deliver/etsi_ts/133300_133399/133310/06.02.00_60/ |
| Release 7 | | | | | |
| ARIB | ARIB STD-T63-33.310 | 7.1.0 | Approved | Jul 13 | http://www.arib.or.jp/english/html/overview/doc/STD-T63v10_00/2_T63/ARIB-STD-T63/Rel7/33/A33310-710.pdf |
| CCSA | CCSA-TSD-DS-33.310 | 7.1.0 | Published | Jun 12 | http://www.ccsa.org.cn/english/tc/files.php?docpath=/ITU-R/M.1457/M.1457-12/DS |
| ETSI | ETSI TS 133 310 | 7.1.0 | Published | Oct 06 | http://www.etsi.org/deliver/etsi_ts/133300_133399/133310/07.01.00_60/ |
| Release 8 | | | | | |
| ARIB | ARIB STD-T63-33.310 | 8.4.0 | Approved | Jul 13 | http://www.arib.or.jp/english/html/overview/doc/STD-T63v10_00/2_T63/ARIB-STD-T63/Rel8/33/A33310-840.pdf |
| CCSA | CCSA-TSD-DS-33.310 | 8.4.0 | Published | Jun 12 | http://www.ccsa.org.cn/english/tc/files.php?docpath=/ITU-R/M.1457/M.1457-12/DS |
| ETSI | ETSI TS 133 310 | 8.4.0 | Published | Jul 10 | http://www.etsi.org/deliver/etsi_ts/133300_133399/133310/08.04.00_60/ |
| Release 9 | | | | | |
| ARIB | ARIB STD-T63-33.310 | 9.8.0 | Approved | Jul 13 | http://www.arib.or.jp/english/html/overview/doc/STD-T63v10_00/2_T63/ARIB-STD-T63/Rel9/33/A33310-980.pdf |
| CCSA | CCSA-TSD-DS-33.310 | 9.7.0 | Published | Jun 12 | http://www.ccsa.org.cn/english/tc/files.php?docpath=/ITU-R/M.1457/M.1457-12/DS |
| ETSI | ETSI TS 133 310 | 9.8.0 | Published | Feb 13 | http://www.etsi.org/deliver/etsi_ts/133300_133399/133310/09.08.00_60/ |
| Release 10 | | | | | |
| ARIB | ARIB STD-T63-33.310 | 10.7.0 | Approved | Jul 13 | http://www.arib.or.jp/english/html/overview/doc/STD-T63v10_00/2_T63/ARIB-STD-T63/Rel10/33/A33310-a70.pdf |
| CCSA | CCSA-TSD-DS-33.310 | 10.5.0 | Published | Jun 12 | http://www.ccsa.org.cn/english/tc/files.php?docpath=/ITU-R/M.1457/M.1457-12/DS |
| ETSI | ETSI TS 133 310 | 10.7.0 | Published | Feb 13 | http://www.etsi.org/deliver/etsi_ts/133300_133399/133310/10.07.00_60/ |
| TTA | TTAT.3G-33.310(R10-10.5.0) | 10.5.0 | Approved | Aug 12 | http://www.tta.or.kr/data/ttasDown.jsp?where=14688&pk_num=TTAT.3G-33.310(R10-10.5.0) |
| Release 11 | | | | | |
| ARIB | ARIB STD-T63-33.310 | 11.2.0 | Approved | Jul 13 | http://www.arib.or.jp/english/html/overview/doc/STD-T63v10_00/2_T63/ARIB-STD-T63/Rel11/33/A33310-b20.pdf |
| CCSA | CCSA-TSD-DS-33.310 | 11.2.0 | Published | Jun 14 | http://www.ccsa.org.cn/english/tc/files.php?docpath=/ITU-R/M.1457/M.1457-12/DS |
| ETSI | ETSI TS 133 310 | 11.2.0 | Published | Feb 13 | http://www.etsi.org/deliver/etsi_ts/133300_133399/133310/11.02.00_60/ |
| TTA | TTAT.3G-33.310(R11-11.2.0) | 11.2.0 | published | Aug 13 | http://www.tta.or.kr/data/ttasDown.jsp?where=14688&pk_num=TTAT.3G-33.310(R11-11.2.0) |

5.1.2.13.122 TS 33.320

Security of Home Node B (HNB)/Home evolved Node B (HeNB)

This document specifies the security architecture for the H(e)NB subsystem. This includes security requirements on Home Node Bs, Home eNode Bs, and other H(e)NB-associated network nodes (e.g. SeGW and H(e)MS), as well as the procedures and features which are provided to meet those requirements.

| SDO (2) | Document No. | Version | Status | Issued date | Location (1) |
|-------------------|----------------------------|---------|-----------|-------------|---|
| Release 9 | | | | | |
| ARIB | ARIB STD-T63-33.320 | 9.7.0 | Approved | Jul 13 | http://www.arib.or.jp/english/html/overview/doc/STD-T63v10_00/2_T63/ARIB-STD-T63/Rel9/33/A33320-970.pdf |
| CCSA | CCSA-TSD-DS-33.320 | 9.6.0 | Published | Jun 12 | http://www.ccsa.org.cn/english/tc/files.php?docpath=/ITU-R/M.1457/M.1457-12/DS |
| ETSI | ETSI TS 133 320 | 9.7.0 | Published | Feb 13 | http://www.etsi.org/deliver/etsi_ts/133300_133399/133320/09.07.00_60/ |
| Release 10 | | | | | |
| ARIB | ARIB STD-T63-33.320 | 10.5.0 | Approved | Jul 13 | http://www.arib.or.jp/english/html/overview/doc/STD-T63v10_00/2_T63/ARIB-STD-T63/Rel10/33/A33320-a50.pdf |
| CCSA | CCSA-TSD-DS-33.320 | 10.4.0 | Published | Jun 12 | http://www.ccsa.org.cn/english/tc/files.php?docpath=/ITU-R/M.1457/M.1457-12/DS |
| ETSI | ETSI TS 133 320 | 10.5.0 | Published | Jul 12 | http://www.etsi.org/deliver/etsi_ts/133300_133399/133320/10.05.00_60/ |
| TTA | TTAT.3G-33.320(R10-10.4.0) | 10.4.0 | Approved | Aug 12 | http://www.tta.or.kr/data/ttasDown.jsp?where=14688&pk_num=TTAT.3G-33.320(R10-10.4.0) |
| Release 11 | | | | | |
| ARIB | ARIB STD-T63-33.320 | 11.6.0 | Approved | Jul 13 | http://www.arib.or.jp/english/html/overview/doc/STD-T63v10_00/2_T63/ARIB-STD-T63/Rel11/33/A33320-b60.pdf |

| | | | | | |
|------|----------------------------|--------|-----------|--------|---|
| CCSA | CCSA-TSD-DS-33.320 | 11.6.0 | Published | Jun 14 | http://www.ccsa.org.cn/english/tc/files.php?docpath=/ITU-R/M.1457/M.1457-12/DS |
| ETSI | ETSI TS 133 320 | 11.6.0 | Published | Nov 12 | http://www.etsi.org/deliver/etsi_ts/133300_133399/133320/11.06.00_60/ |
| TTA | TTAT.3G-33.320(R11-11.6.0) | 11.6.0 | published | Aug 13 | http://www.tta.or.kr/data/ttasDown.jsp?where=14688&pk_num=TTAT.3G-33.320(R11-11.6.0) |

5.1.2.13.123 TS 33.328

IP Multimedia Subsystem (IMS) media plane security

This document presents IMS media plane security for RTP based media which is designed to meet the following three main objectives:

- to provide security for media usable across all access networks;
- to provide an end-to-end (e2e) media security solution to satisfy major user categories;
- to provide end-to-end (e2e) media security for important user groups like enterprises, National Security and Public Safety (NSPS) organizations and different government authorities who may have weaker trust in the inherent IMS security and/or may desire to provide their own key management service.

The media plane security in this release of the TS is based on the well-established protocol SRTP. Key management solutions for SRTP are defined in this specification.

| SDO (2) | Document No. | Version | Status | Issued date | Location (1) |
|-------------------|-----------------------------|---------|-----------|-------------|---|
| Release 9 | | | | | |
| CCSA | CCSA-TSD-DS-33.328 | 9.3.0 | Published | Jun 12 | http://www.ccsa.org.cn/english/tc/files.php?docpath=/ITU-R/M.1457/M.1457-12/DS |
| ETSI | ETSI TS 133 328 | 9.3.0 | Published | Jan 11 | http://www.etsi.org/deliver/etsi_ts/133300_133399/133328/09.03.00_60/ |
| TTC | TS-3GA-33.328(Rel9)v9.3.0 | 9.3.0 | Approved | Apr 11 | http://www.ttc.or.jp/j/document_list/free/3gpps2011/TS/TS-3GA-33.328(Rel9)v9.3.0.pdf |
| Release 10 | | | | | |
| CCSA | CCSA-TSD-DS-33.328 | 10.0.0 | Published | Jun 12 | http://www.ccsa.org.cn/english/tc/files.php?docpath=/ITU-R/M.1457/M.1457-12/DS |
| ETSI | ETSI TS 133 328 | 10.0.0 | Published | Apr 11 | http://www.etsi.org/deliver/etsi_ts/133300_133399/133328/10.00.00_60/ |
| TTA | TTAT.3G-33.328(R10-10.0.0) | 10.0.0 | Approved | Apr 12 | http://www.tta.or.kr/data/ttasDown.jsp?where=14688&pk_num=TTAT.3G-33.328(R10-10.0.0) |
| TTC | TS-3GA-33.328(Rel10)v10.0.0 | 10.0.0 | Approved | Jun 11 | http://www.ttc.or.jp/j/document_list/free/3gpps2011/TS/TS-3GA-33.328(Rel10)v10.0.0.pdf |
| Release 11 | | | | | |
| CCSA | CCSA-TSD-DS-33.328 | 11.0.0 | Published | Jun 14 | http://www.ccsa.org.cn/english/tc/files.php?docpath=/ITU-R/M.1457/M.1457-12/DS |
| ETSI | ETSI TS 133 328 | 11.0.0 | Published | Oct 12 | http://www.etsi.org/deliver/etsi_ts/133300_133399/133328/11.00.00_60/ |
| TTA | TTAT.3G-33.328(R11-11.0.0) | 11.0.0 | published | Aug 13 | http://www.tta.or.kr/data/ttasDown.jsp?where=14688&pk_num=TTAT.3G-33.328(R11-11.0.0) |
| TTC | TS-3GA-33.328(Rel11)v11.0.0 | 11.0.0 | Approved | Jun 13 | http://www.ttc.or.jp/j/document_list/free/3gpps2013/TS/TS-3GA-33.328(Rel11)v11.0.0.pdf |

5.1.2.13.124 TS 33.401

3GPP System Architecture Evolution (SAE); Security architecture

This document specifies the security architecture, i.e. the security features and the security mechanisms for the Evolved Packet System and the Evolved Packet Core, and the security procedures performed within the evolved Packet System (EPS) including the Evolved Packet Core (EPC) and the Evolved UTRAN (E-UTRAN).

| SDO (2) | Document No. | Version | Status | Issued date | Location (1) |
|-------------------|----------------------------|---------|-----------|-------------|---|
| Release 8 | | | | | |
| ARIB | ARIB STD-T63-33.401 | 8.8.0 | Approved | Jul 13 | http://www.arib.or.jp/english/html/overview/doc/STD-T63v10_00/2_T63/ARIB-STD-T63/Rel8/33/A33401-880.pdf |
| CCSA | CCSA-TSD-DS-33.401 | 8.8.0 | Published | Jun 12 | http://www.ccsa.org.cn/english/tc/files.php?docpath=/ITU-R/M.1457/M.1457-12/DS |
| ETSI | ETSI TS 133 401 | 8.8.0 | Published | Jun 11 | http://www.etsi.org/deliver/etsi_ts/133400_133499/133401/08.08.00_60/ |
| Release 9 | | | | | |
| ARIB | ARIB STD-T63-33.401 | 9.7.0 | Approved | Jul 13 | http://www.arib.or.jp/english/html/overview/doc/STD-T63v10_00/2_T63/ARIB-STD-T63/Rel9/33/A33401-970.pdf |
| CCSA | CCSA-TSD-DS-33.401 | 9.7.0 | Published | Jun 12 | http://www.ccsa.org.cn/english/tc/files.php?docpath=/ITU-R/M.1457/M.1457-12/DS |
| ETSI | ETSI TS 133 401 | 9.7.0 | Published | Jun 11 | http://www.etsi.org/deliver/etsi_ts/133400_133499/133401/09.07.00_60/ |
| Release 10 | | | | | |
| ARIB | ARIB STD-T63-33.401 | 10.4.0 | Approved | Jul 13 | http://www.arib.or.jp/english/html/overview/doc/STD-T63v10_00/2_T63/ARIB-STD-T63/Rel10/33/A33401-a40.pdf |
| CCSA | CCSA-TSD-DS-33.401 | 10.2.0 | Published | Jun 12 | http://www.ccsa.org.cn/english/tc/files.php?docpath=/ITU-R/M.1457/M.1457-12/DS |
| ETSI | ETSI TS 133 401 | 10.4.0 | Published | Apr 13 | http://www.etsi.org/deliver/etsi_ts/133400_133499/133401/10.04.00_60/ |
| TTA | TTAT.3G-33.401(R10-10.2.0) | 10.2.0 | Approved | Apr 12 | http://www.tta.or.kr/data/ttasDown.jsp?where=14688&pk_num=TTAT.3G-33.401(R10-10.2.0) |
| Release 11 | | | | | |
| ARIB | ARIB STD-T63-33.401 | 11.6.0 | Approved | Jul 13 | http://www.arib.or.jp/english/html/overview/doc/STD-T63v10_00/2_T63/ARIB-STD-T63/Rel11/33/A33401-b60.pdf |
| CCSA | CCSA-TSD-DS-33.401 | 11.7.0 | Published | Jun 14 | http://www.ccsa.org.cn/english/tc/files.php?docpath=/ITU-R/M.1457/M.1457-12/DS |
| ETSI | ETSI TS 133 401 | 11.6.0 | Published | Apr 13 | http://www.etsi.org/deliver/etsi_ts/133400_133499/133401/11.06.00_60/ |
| TTA | TTAT.3G-33.401(R11-11.6.0) | 11.6.0 | published | Aug 13 | http://www.tta.or.kr/data/ttasDown.jsp?where=14688&pk_num=TTAT.3G-33.401(R11-11.6.0) |

5.1.2.13.125 TR 33.901

Criteria for cryptographic Algorithm design process

This report describes the process used to design cipher and integrity algorithm.

| SDO (2) | Document No. | Version | Status | Issued date | Location (1) |
|-------------------|---------------------------|---------|-----------|-------------|---|
| Release 99 | | | | | |
| ARIB | ARIB TR-T12-33.901 | 3.0.0 | Approved | Jul 13 | http://www.arib.or.jp/english/html/overview/doc/STD-T63v10_00/3_T12/ARIB-TR-T12/R99/33/A33901-300.pdf |
| CCSA | CCSA-TSD-DS-33.901 | 3.0.0 | Published | Feb 00 | http://www.ccsa.org.cn/english/tc/files.php?docpath=/ITU-R/M.1457/M.1457-12/DS |
| ETSI | ETSI TR 133 901 | 3.0.0 | Published | Feb 00 | http://www.etsi.org/deliver/etsi_tr/133900_133999/133901/03.00.00_60/ |
| TTA | TTAE.3G-33.901(R99-3.0.0) | 3.0.0 | Approved | Jul 09 | http://www.tta.or.kr/data/ttasDown.jsp?where=14688&pk_num=TTAE.3G-33.901(R99-3.0.0) |
| Release 4 | | | | | |
| ARIB | ARIB TR-T12-33.901 | 4.0.0 | Approved | Jul 13 | http://www.arib.or.jp/english/html/overview/doc/STD-T63v10_00/3_T12/ARIB-TR-T12/Rel4/33/A33901-400.pdf |
| CCSA | CCSA-TSD-DS-33.901 | 4.0.0 | Published | Oct 01 | http://www.ccsa.org.cn/english/tc/files.php?docpath=/ITU-R/M.1457/M.1457-12/DS |
| ETSI | ETSI TR 133 901 | 4.0.0 | Published | Oct 01 | http://www.etsi.org/deliver/etsi_tr/133900_133999/133901/04.00.00_60/ |
| TTA | TTAE.3G-33.901(R4-4.0.0) | 4.0.0 | Approved | Jul 09 | http://www.tta.or.kr/data/ttasDown.jsp?where=14688&pk_num=TTAE.3G-33.901(R4-4.0.0) |

5.1.2.13.126 TR 33.902

Formal Analysis of the 3G Authentication Protocol

Formal analysis using BAN and temporal logic of authentication mechanism.

| SDO (2) | Document No. | Version | Status | Issued date | Location (1) |
|-------------------|---------------------------|---------|-----------|-------------|---|
| Release 99 | | | | | |
| ARIB | ARIB TR-T12-33.902 | 3.1.0 | Approved | Jul 13 | http://www.arib.or.jp/english/html/overview/doc/STD-T63v10_40/3_T12/ARIB-TR-T12/R99/33/A33902-310.pdf |
| CCSA | CCSA-TSD-DS-33.902 | 3.1.0 | Published | Feb 00 | http://www.ccsa.org.cn/english/tc/files.php?docpath=/ITU-R/M.1457/M.1457-12/DS |
| ETSI | ETSI TR 133 902 | 3.1.0 | Published | Feb 00 | http://www.etsi.org/deliver/etsi_tr/133900_133999/133902/03.01.00_60/ |
| TTA | TTAE.3G-33.902(R99-3.1.0) | 3.1.0 | Approved | Jul 09 | http://www.tta.or.kr/data/ttasDown.jsp?where=14688&pk_num=TTAE.3G-33.902(R99-3.1.0) |
| Release 4 | | | | | |
| ARIB | ARIB TR-T12-33.902 | 4.0.0 | Approved | Jul 13 | http://www.arib.or.jp/english/html/overview/doc/STD-T63v10_40/3_T12/ARIB-TR-T12/Rel4/33/A33902-400.pdf |
| CCSA | CCSA-TSD-DS-33.902 | 4.0.0 | Published | Oct 01 | http://www.ccsa.org.cn/english/tc/files.php?docpath=/ITU-R/M.1457/M.1457-12/DS |
| ETSI | ETSI TR 133 902 | 4.0.0 | Published | Oct 01 | http://www.etsi.org/deliver/etsi_tr/133900_133999/133902/04.00.00_60/ |
| TTA | TTAE.3G-33.902(R4-4.0.0) | 4.0.0 | Approved | Jul 09 | http://www.tta.or.kr/data/ttasDown.jsp?where=14688&pk_num=TTAE.3G-33.902(R4-4.0.0) |

5.1.2.13.127 TR 33.905

Recommendations for Trusted Open Platforms

This technical report investigates relevant trust standards and technologies, both existing as well as the ones that are work-in-progress. It develops the recommendations for trusted open platforms for delivery of new applications and services to open platforms.

| SDO (2) | Document No. | Version | Status | Issued date | Location (1) |
|-------------------|-----------------------------|---------|-----------|-------------|---|
| Release 7 | | | | | |
| CCSA | CCSA-TSD-DS-33.905 | 7.0.0 | Published | Jun 12 | http://www.ccsa.org.cn/english/tc/files.php?docpath=/ITU-R/M.1457/M.1457-12/DS |
| ETSI | ETSI TR 133 905 | 7.0.0 | Published | Jul 07 | http://www.etsi.org/deliver/etsi_tr/133900_133999/133905/07.00.00_60/ |
| TTC | TR-3GA-33.905(Rel7)v7.0.0 | 7.0.0 | Approved | Mar 08 | http://www.ttc.or.jp/j/document_list/free/TR/TR-3GA-33.905(Rel7)v7.0.0.pdf |
| Release 8 | | | | | |
| CCSA | CCSA-TSD-DS-33.905 | 8.0.0 | Published | Jun 12 | http://www.ccsa.org.cn/english/tc/files.php?docpath=/ITU-R/M.1457/M.1457-12/DS |
| ETSI | ETSI TR 133 905 | 8.0.0 | Published | Feb 09 | http://www.etsi.org/deliver/etsi_tr/133900_133999/133905/08.00.00_60/ |
| TTC | TR-3GA-33.905(Rel8)v8.0.0 | 8.0.0 | Approved | Feb 09 | http://www.ttc.or.jp/j/document_list/free/3gpps2009/TR/TR-3GA-33.905(Rel8)v8.0.0.pdf |
| Release 9 | | | | | |
| CCSA | CCSA-TSD-DS-33.905 | 9.0.0 | Published | Jun 12 | http://www.ccsa.org.cn/english/tc/files.php?docpath=/ITU-R/M.1457/M.1457-12/DS |
| ETSI | ETSI TR 133 905 | 9.0.0 | Published | Feb 10 | http://www.etsi.org/deliver/etsi_tr/133900_133999/133905/09.00.00_60/ |
| TTC | TR-3GA-33.905(Rel9)v9.0.0 | 9.0.0 | Approved | Jul 10 | http://www.ttc.or.jp/j/document_list/free/3gpps2010/TR/TR-3GA-33.905(Rel9)v9.0.0.pdf |
| Release 10 | | | | | |
| CCSA | CCSA-TSD-DS-33.905 | 10.0.0 | Published | Jun 12 | http://www.ccsa.org.cn/english/tc/files.php?docpath=/ITU-R/M.1457/M.1457-12/DS |
| ETSI | ETSI TR 133 905 | 10.0.0 | Published | Apr 11 | http://www.etsi.org/deliver/etsi_tr/133900_133999/133905/10.00.00_60/ |
| TTA | TTAT.3G-33.905(R10-10.0.0) | 10.0.0 | Approved | Apr 12 | http://www.tta.or.kr/data/ttasDown.jsp?where=14688&pk_num=TTAT.3G-33.905(R10-10.0.0) |
| TTC | TR-3GA-33.905(Rel10)v10.0.0 | 10.0.0 | Approved | Jun 11 | http://www.ttc.or.jp/j/document_list/free/3gpps2011/TR/TR-3GA-33.905(Rel10)v10.0.0.pdf |
| Release 11 | | | | | |
| CCSA | CCSA-TSD-DS-33.905 | 11.0.0 | Published | Jun 14 | http://www.ccsa.org.cn/english/tc/files.php?docpath=/ITU-R/M.1457/M.1457-12/DS |
| ETSI | ETSI TR 133 905 | 11.0.0 | Published | Nov 12 | http://www.etsi.org/deliver/etsi_tr/133900_133999/133905/11.00.00_60/ |
| TTA | TTAT.3G-33.905(R11-11.0.0) | 11.0.0 | published | Aug 13 | http://www.tta.or.kr/data/ttasDown.jsp?where=14688&pk_num=TTAT.3G-33.905(R11-11.0.0) |
| TTC | TR-3GA-33.905(Rel11)v11.0.0 | 11.0.0 | Approved | Jun 13 | http://www.ttc.or.jp/j/document_list/free/3gpps2013/TR/TR-3GA-33.905(Rel11)v11.0.0.pdf |

5.1.2.13.128 TR 33.908

3G Security; General report on the design, specification and evaluation of 3GPP standard confidentiality and integrity algorithms

This technical report is a description of the work undertaken by SAGE Task Force for the design of the standard 3GPP Confidentiality and Integrity Algorithms (SAGE TF 3GPP).

With regard to the design of the algorithms, the scope of this document is confined to a description of the design criteria, the design methodology and an outline of the content and structure of the specification and test data documents.

The standard 3GPP Confidentiality and Integrity Algorithms are based on a Block Cipher named KASUMI. The algorithms specification and associated test data are documented in the Specification of the 3GPP Confidentiality and Integrity Algorithms which consists of the following four documents:

- Specification of the 3GPP Confidentiality and Integrity Algorithms; Document 1: f8 and f9 specifications (TS 35.201).
- Specification of the 3GPP Confidentiality and Integrity Algorithms; Document 2: KASUMI algorithm specification (TS 35.202).
- Specification of the 3GPP Confidentiality and Integrity Algorithms; Document 3: Implementors' test data (TS 35.203).
- Specification of the 3GPP Confidentiality and Integrity Algorithms; Document 4: Design conformance test data (TS 35.204).

With regard to the evaluation of the algorithm, the scope of this report is restricted to a description of the evaluation criteria, the method of evaluation and the main conclusions from the evaluation that led to the Task Force approving the specification. A detailed summary of conclusions of the evaluation is provided in a public evaluation report TS 33.909 produced by the Task Force.

| SDO (2) | Document No. | Version | Status | Issued date | Location (1) |
|-------------------|--------------------|---------|-----------|-------------|---|
| Release 99 | | | | | |
| ARIB | ARIB TR-T12-33.908 | 3.0.0 | Approved | Jul 13 | http://www.arib.or.jp/english/html/overview/doc/STD-T63v10_00/3_T12/ARIB-TR-T12/R99/33/A33908-300.pdf |
| CCSA | CCSA-TSD-DS-33.908 | 3.0.0 | Published | Jun 12 | http://www.ccsa.org.cn/english/tc/files.php?docpath=/ITU-R/M.1457/M.1457-12/DS |
| ETSI | ETSI TR 133 908 | 3.0.0 | Published | May 00 | http://www.etsi.org/deliver/etsi_tr/133900_133999/133908/03.00.00_60/ |
| Release 4 | | | | | |
| ARIB | ARIB TR-T12-33.908 | 4.0.0 | Approved | Jul 13 | http://www.arib.or.jp/english/html/overview/doc/STD-T63v10_00/3_T12/ARIB-TR-T12/Rel4/33/A33908-400.pdf |
| CCSA | CCSA-TSD-DS-33.908 | 4.0.0 | Published | Jun 12 | http://www.ccsa.org.cn/english/tc/files.php?docpath=/ITU-R/M.1457/M.1457-12/DS |
| ETSI | ETSI TR 133 908 | 4.0.0 | Published | Oct 01 | http://www.etsi.org/deliver/etsi_tr/133900_133999/133908/04.00.00_60/ |

5.1.2.13.129 TR 33.909

3G Security; Report on the design and evaluation of the MILENAGE algorithm set; Deliverable 5: An example algorithm for the 3GPP authentication and key generation functions

This public report contains a detailed summary of the work performed during the design and evaluation of the 3GPP Authentication Functions denoted as the MILENAGE algorithm set. It contains all results and findings from this work and should be read as a supplement to the specifications of the algorithms in TS 35.205 and the general project report, TS 35.209.

| SDO (2) | Document No. | Version | Status | Issued date | Location (1) |
|------------------|--------------------|---------|-----------|-------------|---|
| Release 4 | | | | | |
| ARIB | ARIB TR-T12-33.909 | 4.0.1 | Approved | Jul 13 | http://www.arib.or.jp/english/html/overview/doc/STD-T63v10_00/3_T12/ARIB-TR-T12/Rel4/33/A33909-401.pdf |
| CCSA | CCSA-TSD-DS-33.909 | 4.0.1 | Published | Jun 12 | http://www.ccsa.org.cn/english/tc/files.php?docpath=/ITU-R/M.1457/M.1457-12/DS |
| ETSI | ETSI TR 133 909 | 4.0.1 | Published | Aug 01 | http://www.etsi.org/deliver/etsi_tr/133900_133999/133909/04.00.01_60/ |

5.1.2.13.130 TR 33.918

Generic Authentication Architecture (GAA); Early implementation of Hypertext Transfer Protocol over Transport Layer Security (HTTPS) connection between a Universal Integrated Circuit Card (UICC) and a Network Application Function (NAF)

This document gives guidance on how to perform an early implementation of HTTPS connections between a UICC-based application and a Network Application Function in the Generic Authentication Architecture (GAA).

| SDO (2) | Document No. | Version | Status | Issued date | Location (1) |
|------------------|--------------------|---------|-----------|-------------|---|
| Release 7 | | | | | |
| ARIB | ARIB TR-T12-33.918 | 7.0.0 | Approved | Jul 13 | http://www.arib.or.jp/english/html/overview/doc/STD-T63v10_00/3_T12/ARIB-TR-T12/Rel7/33/A33918-700.pdf |
| CCSA | CCSA-TSD-DS-33.918 | 7.0.0 | Published | Jun 12 | http://www.ccsa.org.cn/english/tc/files.php?docpath=/ITU-R/M.1457/M.1457-12/DS |
| ETSI | ETSI TR 133 918 | 7.0.0 | Published | Jul 07 | http://www.etsi.org/deliver/etsi_tr/133900_133999/133918/07.00.00_60/ |

5.1.2.13.131 TR 33.919

3G Security; Generic Authentication Architecture (GAA); System description

This 3GPP Technical Report gives an overview of the different mechanisms that mobile applications can rely upon for authentication between server and client (i.e. the UE). Additionally it provides guidelines related to the use of GAA and to the choice of authentication mechanism in a given situation and for a given application. To this end the TR puts the different 3GPP GAA related specifications into perspective. It clarifies the logic for having the technical specifications and technical reports, sketches their content and explains the inter-relation between these 3GPP TSs and TRs and their relation with this TR. The heart of GAA consists out of the Generic Bootstrapping Architecture (GBA): The GBA core specifications consist out of TS 33.220, TS 24.109 and TS 29.109. GBA in turn is then used by many other TSs and TRs to enable specific usages e.g. HTTPS, subscriber certificates.

| SDO (2) | Document No. | Version | Status | Issued date | Location (1) |
|------------------|--------------------|---------|-----------|-------------|---|
| Release 6 | | | | | |
| ARIB | ARIB TR-T12-33.919 | 6.2.0 | Approved | Jul 13 | http://www.arib.or.jp/english/html/overview/doc/STD-T63v10_00/3_T12/ARIB-TR-T12/Rel6/33/A33919-620.pdf |
| CCSA | CCSA-TSD-DS-33.919 | 6.2.0 | Published | Jun 12 | http://www.ccsa.org.cn/english/tc/files.php?docpath=/ITU-R/M.1457/M.1457-12/DS |
| ETSI | ETSI TR 133 919 | 6.2.0 | Published | Apr 05 | http://www.etsi.org/deliver/etsi_tr/133900_133999/133919/06.02.00_60/ |

Release 7

| | | | | | |
|------|--------------------|-------|-----------|--------|---|
| ARIB | ARIB TR-T12-33.919 | 7.2.0 | Approved | Jul 13 | http://www.arib.or.jp/english/html/overview/doc/STD-T63v10_00/3_T12/ARIB-TR-T12/Rel7/33/A33919-720.pdf |
| CCSA | CCSA-TSD-DS-33.919 | 7.2.0 | Published | Jun 12 | http://www.ccsa.org.cn/english/tc/files.php?docpath=/ITU-R/M.1457/M.1457-12/DS |
| ETSI | ETSI TR 133 919 | 7.2.0 | Published | Jul 07 | http://www.etsi.org/deliver/etsi_tr/133900_133999/133919/07.02.00_60/ |

Release 8

| | | | | | |
|------|--------------------|-------|-----------|--------|---|
| ARIB | ARIB TR-T12-33.919 | 8.0.0 | Approved | Jul 13 | http://www.arib.or.jp/english/html/overview/doc/STD-T63v10_00/3_T12/ARIB-TR-T12/Rel8/33/A33919-800.pdf |
| CCSA | CCSA-TSD-DS-33.919 | 8.0.0 | Published | Jun 12 | http://www.ccsa.org.cn/english/tc/files.php?docpath=/ITU-R/M.1457/M.1457-12/DS |
| ETSI | ETSI TR 133 919 | 8.0.0 | Published | Feb 09 | http://www.etsi.org/deliver/etsi_tr/133900_133999/133919/08.00.00_60/ |

Release 9

| | | | | | |
|------|--------------------|-------|-----------|--------|---|
| ARIB | ARIB TR-T12-33.919 | 9.1.0 | Approved | Jul 13 | http://www.arib.or.jp/english/html/overview/doc/STD-T63v10_00/3_T12/ARIB-TR-T12/Rel9/33/A33919-910.pdf |
| CCSA | CCSA-TSD-DS-33.919 | 9.1.0 | Published | Jun 12 | http://www.ccsa.org.cn/english/tc/files.php?docpath=/ITU-R/M.1457/M.1457-12/DS |
| ETSI | ETSI TR 133 919 | 9.1.0 | Published | Jul 10 | http://www.etsi.org/deliver/etsi_tr/133900_133999/133919/09.01.00_60/ |

Release 10

| | | | | | |
|------|----------------------------|--------|-----------|--------|---|
| ARIB | ARIB TR-T12-33.919 | 10.0.0 | Approved | Jul 13 | http://www.arib.or.jp/english/html/overview/doc/STD-T63v10_00/3_T12/ARIB-TR-T12/Rel10/33/A33919-a00.pdf |
| CCSA | CCSA-TSD-DS-33.919 | 10.0.0 | Published | Jun 12 | http://www.ccsa.org.cn/english/tc/files.php?docpath=/ITU-R/M.1457/M.1457-12/DS |
| ETSI | ETSI TR 133 919 | 10.0.0 | Published | Apr 11 | http://www.etsi.org/deliver/etsi_tr/133900_133999/133919/10.00.00_60/ |
| TTA | TTAT.3G-33.919(R10-10.0.0) | 10.0.0 | Approved | Apr 12 | http://www.tta.or.kr/data/ttasDown.jsp?where=14688&pk_num=TTAT.3G-33.919(R10-10.0.0) |

Release 11

| | | | | | |
|------|----------------------------|--------|-----------|--------|---|
| ARIB | ARIB TR-T12-33.919 | 11.0.0 | Approved | Jul 13 | http://www.arib.or.jp/english/html/overview/doc/STD-T63v10_00/3_T12/ARIB-TR-T12/Rel11/33/A33919-b00.pdf |
| CCSA | CCSA-TSD-DS-33.919 | 11.0.0 | Published | Jun 14 | http://www.ccsa.org.cn/english/tc/files.php?docpath=/ITU-R/M.1457/M.1457-12/DS |
| ETSI | ETSI TR 133 919 | 11.0.0 | Published | Nov 12 | http://www.etsi.org/deliver/etsi_tr/133900_133999/133919/11.00.00_60/ |
| TTA | TTAT.3G-33.919(R11-11.0.0) | 11.0.0 | published | Aug 13 | http://www.tta.or.kr/data/ttasDown.jsp?where=14688&pk_num=TTAT.3G-33.919(R11-11.0.0) |

5.1.2.13.132 TR 33.920**SIM card based Generic Bootstrapping Architecture (GBA); Early implementation feature**

This document describes which change requests are to be implemented in addition to the Release 6 specifications TS 33.220, TS 29.109, and TS 24.109 to enable the usage of 2G GBA.

| SDO (2) | Document No. | Version | Status | Issued date | Location (1) |
|------------------|--------------------|---------|-----------|-------------|---|
| Release 7 | | | | | |
| ARIB | ARIB TR-T12-33.920 | 7.5.0 | Approved | Jul 13 | http://www.arib.or.jp/english/html/overview/doc/STD-T63v10_00/3_T12/ARIB-TR-T12/Rel7/33/A33920-750.pdf |
| CCSA | CCSA-TSD-DS-33.920 | 7.5.0 | Published | Jun 12 | http://www.ccsa.org.cn/english/tc/files.php?docpath=/ITU-R/M.1457/M.1457-12/DS |
| ETSI | ETSI TR 133 920 | 7.5.0 | Published | Apr 08 | http://www.etsi.org/deliver/etsi_tr/133900_133999/133920/07.05.00_60/ |

5.1.2.13.133 TR 33.924**Identity management and 3GPP security interworking; Identity management and Generic Authentication Architecture (GAA) interworking**

The objective is to extend identity management as outlined in TS 33.220, TS 33.222, TS 29.109 and TR 33.980 with the latest developments on identity management outside of the 3GPP sphere. This will allow a better integration and usage of identity management for services in 3GPP and seamless integration with existing services that are not standardized in 3GPP. This report outlines the interworking of GBA and OpenID.

| SDO (2) | Document No. | Version | Status | Issued date | Location (1) |
|-------------------|----------------------------|---------|-----------|-------------|---|
| Release 9 | | | | | |
| ARIB | ARIB TR-T12-33.924 | 9.4.0 | Approved | Jul 13 | http://www.arib.or.jp/english/html/overview/doc/STD-T63v10_00/3_T12/ARIB-TR-T12/Rel9/33/A33924-940.pdf |
| CCSA | CCSA-TSD-DS-33.924 | 9.4.0 | Published | Jun 12 | http://www.ccsa.org.cn/english/tc/files.php?docpath=/ITU-R/M.1457/M.1457-12/DS |
| ETSI | ETSI TR 133 924 | 9.4.0 | Published | Jun 11 | http://www.etsi.org/deliver/etsi_tr/133900_133999/133924/09.04.00_60/ |
| Release 10 | | | | | |
| ARIB | ARIB TR-T12-33.924 | 10.1.0 | Approved | Jul 13 | http://www.arib.or.jp/english/html/overview/doc/STD-T63v10_00/3_T12/ARIB-TR-T12/Rel10/33/A33924-a10.pdf |
| CCSA | CCSA-TSD-DS-33.924 | 10.1.0 | Published | Jun 12 | http://www.ccsa.org.cn/english/tc/files.php?docpath=/ITU-R/M.1457/M.1457-12/DS |
| ETSI | ETSI TR 133 924 | 10.1.0 | Published | Jun 11 | http://www.etsi.org/deliver/etsi_tr/133900_133999/133924/10.01.00_60/ |
| TTA | TTAT.3G-33.924(R10-10.1.0) | 10.1.0 | Approved | Apr 12 | http://www.tta.or.kr/data/ttasDown.jsp?where=14688&pk_num=TTAT.3G-33.924(R10-10.1.0) |
| Release 11 | | | | | |
| ARIB | ARIB TR-T12-33.924 | 11.0.0 | Approved | Jul 13 | http://www.arib.or.jp/english/html/overview/doc/STD-T63v10_00/3_T12/ARIB-TR-T12/Rel11/33/A33924-b00.pdf |
| CCSA | CCSA-TSD-DS-33.924 | 11.0.0 | Published | Jun 14 | http://www.ccsa.org.cn/english/tc/files.php?docpath=/ITU-R/M.1457/M.1457-12/DS |
| ETSI | ETSI TR 133 924 | 11.0.0 | Published | Nov 12 | http://www.etsi.org/deliver/etsi_tr/133900_133999/133924/11.00.00_60/ |
| TTA | TTAT.3G-33.924(R11-11.0.0) | 11.0.0 | published | Aug 13 | http://www.tta.or.kr/data/ttasDown.jsp?where=14688&pk_num=TTAT.3G-33.924(R11-11.0.0) |

5.1.2.13.134 TR 33.937

Study of mechanisms for Protection against Unsolicited Communication for IMS (PUCI)

The scope of this report is to highlight alternative solutions that could be used to protect mobile subscribers from receiving unsolicited communication over IMS and to analyze these solutions in respect of their requirements and impacts on standardized interfaces. This activity took into account the study done in ETSI TISPAN TR 187 009 on “Feasibility study of prevention of unsolicited communications in the NGN”.

| SDO (2) | Document No. | Version | Status | Issued date | Location (1) |
|-------------------|-----------------------------|---------|-----------|-------------|---|
| Release 9 | | | | | |
| CCSA | CCSA-TSD-DS-33.937 | 9.2.0 | Published | Jun 12 | http://www.ccsa.org.cn/english/tc/files.php?docpath=/ITU-R/M.1457/M.1457-12/DS |
| ETSI | ETSI TR 133 937 | 9.2.0 | Published | Jul 10 | http://www.etsi.org/deliver/etsi_tr/133900_133999/133937/09.02.00_60/ |
| TTC | TR-3GA-33.937(Rel9)v9.2.0 | 9.2.0 | Approved | Oct 10 | http://www.ttc.or.jp/j/document_list/free/3gpps2010/TR/TR-3GA-33.937(Rel9)v9.2.0.pdf |
| Release 10 | | | | | |
| CCSA | CCSA-TSD-DS-33.937 | 10.0.0 | Published | Jun 12 | http://www.ccsa.org.cn/english/tc/files.php?docpath=/ITU-R/M.1457/M.1457-12/DS |
| ETSI | ETSI TR 133 937 | 10.0.0 | Published | Apr 11 | http://www.etsi.org/deliver/etsi_tr/133900_133999/133937/10.00.00_60/ |
| TTA | TTAT.3G-33.937(R10-10.0.0) | 10.0.0 | Approved | Apr 12 | http://www.tta.or.kr/data/ttasDown.jsp?where=14688&pk_num=TTAT.3G-33.937(R10-10.0.0) |
| TTC | TR-3GA-33.937(Rel10)v10.0.0 | 10.0.0 | Approved | Jun 11 | http://www.ttc.or.jp/j/document_list/free/3gpps2011/TR/TR-3GA-33.937(Rel10)v10.0.0.pdf |
| Release 11 | | | | | |
| CCSA | CCSA-TSD-DS-33.937 | 11.0.0 | Published | Jun 14 | http://www.ccsa.org.cn/english/tc/files.php?docpath=/ITU-R/M.1457/M.1457-12/DS |
| ETSI | ETSI TR 133 937 | 11.0.0 | Published | Nov 12 | http://www.etsi.org/deliver/etsi_tr/133900_133999/133937/11.00.00_60/ |
| TTA | TTAT.3G-33.937(R11-11.0.0) | 11.0.0 | published | Aug 13 | http://www.tta.or.kr/data/ttasDown.jsp?where=14688&pk_num=TTAT.3G-33.937(R11-11.0.0) |
| TTC | TR-3GA-33.937(Rel11)v11.0.0 | 11.0.0 | Approved | Jun 13 | http://www.ttc.or.jp/j/document_list/free/3gpps2013/TR/TR-3GA-33.937(Rel11)v11.0.0.pdf |

5.1.2.13.135 TR 33.980

Liberty Alliance and 3GPP security interworking; Interworking of Liberty Alliance Identity Federation Framework (ID-FF), Identity Web Services Framework (ID-WSF) and Generic Authentication Architecture (GAA)

This document provides guidelines on the interworking of the Generic Authentication Architecture (GAA) and the Liberty Alliance architecture. The document studies the details of possible interworking methods between the Security Assertion Markup Language v2.0, SAML v2.0 (or alternatively the Liberty Alliance Identity Federation Framework, ID-FF), the Identity Web Services Framework (ID-WSF), the Security Assertion Markup Language (SAML) and a component of GAA called the Generic Bootstrapping Architecture (GBA). This document only applies if Liberty Alliance and GBA or SAML v2.0 and GBA are used in combination.

| SDO (2) | Document No. | Version | Status | Issued date | Location (1) |
|-------------------|----------------------------|---------|-----------|-------------|---|
| Release 7 | | | | | |
| ARIB | ARIB TR-T12-33.980 | 7.6.0 | Approved | Jul 13 | http://www.arib.or.jp/english/html/overview/doc/STD-T63v10_00/3_T12/ARIB-TR-T12/Rel7/33/A33980-760.pdf |
| CCSA | CCSA-TSD-DS-33.980 | 7.6.0 | Published | Jun 12 | http://www.ccsa.org.cn/english/tc/files.php?docpath=/ITU-R/M.1457/M.1457-12/DS |
| ETSI | ETSI TR 133 980 | 7.6.0 | Published | Oct 07 | http://www.etsi.org/deliver/etsi_tr/133900_133999/133980/07.06.00_60/ |
| Release 8 | | | | | |
| ARIB | ARIB TR-T12-33.980 | 8.0.0 | Approved | Jul 13 | http://www.arib.or.jp/english/html/overview/doc/STD-T63v10_00/3_T12/ARIB-TR-T12/Rel8/33/A33980-800.pdf |
| CCSA | CCSA-TSD-DS-33.980 | 8.0.0 | Published | Jun 12 | http://www.ccsa.org.cn/english/tc/files.php?docpath=/ITU-R/M.1457/M.1457-12/DS |
| ETSI | ETSI TR 133 980 | 8.0.0 | Published | Feb 09 | http://www.etsi.org/deliver/etsi_tr/133900_133999/133980/08.00.00_60/ |
| Release 9 | | | | | |
| ARIB | ARIB TR-T12-33.980 | 9.0.0 | Approved | Jul 13 | http://www.arib.or.jp/english/html/overview/doc/STD-T63v10_00/3_T12/ARIB-TR-T12/Rel9/33/A33980-900.pdf |
| CCSA | CCSA-TSD-DS-33.980 | 9.0.0 | Published | Jun 12 | http://www.ccsa.org.cn/english/tc/files.php?docpath=/ITU-R/M.1457/M.1457-12/DS |
| ETSI | ETSI TR 133 980 | 9.0.0 | Published | Jan 10 | http://www.etsi.org/deliver/etsi_tr/133900_133999/133980/09.00.00_60/ |
| Release 10 | | | | | |
| ARIB | ARIB TR-T12-33.980 | 10.0.0 | Approved | Jul 13 | http://www.arib.or.jp/english/html/overview/doc/STD-T63v10_00/3_T12/ARIB-TR-T12/Rel10/33/A33980-a00.pdf |
| CCSA | CCSA-TSD-DS-33.980 | 10.0.0 | Published | Jun 12 | http://www.ccsa.org.cn/english/tc/files.php?docpath=/ITU-R/M.1457/M.1457-12/DS |
| ETSI | ETSI TR 133 980 | 10.0.0 | Published | Apr 11 | http://www.etsi.org/deliver/etsi_tr/133900_133999/133980/10.00.00_60/ |
| Release 11 | | | | | |
| ARIB | ARIB TR-T12-33.980 | 11.0.0 | Approved | Jul 13 | http://www.arib.or.jp/english/html/overview/doc/STD-T63v10_00/3_T12/ARIB-TR-T12/Rel11/33/A33980-b00.pdf |
| CCSA | CCSA-TSD-DS-33.980 | 11.1.0 | Published | Jun 14 | http://www.ccsa.org.cn/english/tc/files.php?docpath=/ITU-R/M.1457/M.1457-12/DS |
| ETSI | ETSI TR 133 980 | 11.0.0 | Published | Nov 12 | http://www.etsi.org/deliver/etsi_tr/133900_133999/133980/11.00.00_60/ |
| TTA | TTAT.3G-33.980(R11-11.0.0) | 11.0.0 | published | Aug 13 | http://www.tta.or.kr/data/ttasDown.jsp?where=14688&pk_num=TTAT.3G-33.980(R11-11.0.0) |

5.1.2.13.136 TS 35.201

3G Security; Specification of the 3GPP confidentiality and integrity algorithms; Document 1: f8 and f9 specification

This specification gives a detailed specification of the 3GPP confidentiality algorithm f8, and the 3GPP integrity algorithm f9.

| SDO (2) | Document No. | Version | Status | Issued date | Location (1) |
|-------------------|---------------------|---------|-----------|-------------|---|
| Release 99 | | | | | |
| ARIB | ARIB STD-T63-35.201 | 3.2.0 | Approved | Jul 13 | http://www.arib.or.jp/english/html/overview/doc/STD-T63v10_00/2_T63/ARIB-STD-T63/R99/35/A35201-320.pdf |
| CCSA | CCSA-TSD-DS-35.201 | 3.2.0 | Published | Jun 12 | http://www.ccsa.org.cn/english/tc/files.php?docpath=/ITU-R/M.1457/M.1457-12/DS |

| | | | | | |
|-------------------|----------------------------|--------|-----------|--------|---|
| ETSI | ETSI TS 135 201 | 3.2.0 | Published | Jan 02 | http://www.etsi.org/deliver/etsi_ts/135200_135299/135201/03.02.00_60/ |
| Release 4 | | | | | |
| ARIB | ARIB STD-T63-35.201 | 4.1.0 | Approved | Jul 13 | http://www.arib.or.jp/english/html/overview/doc/STD-T63v10_00/2_T63/ARIB-STD-T63/Rel4/35/A35201-410.pdf |
| CCSA | CCSA-TSD-DS-35.201 | 4.1.0 | Published | Jun 12 | http://www.ccsa.org.cn/english/tc/files.php?docpath=/ITU-R/M.1457/M.1457-12/DS |
| ETSI | ETSI TS 135 201 | 4.1.0 | Published | Jan 02 | http://www.etsi.org/deliver/etsi_ts/135200_135299/135201/04.01.00_60/ |
| Release 5 | | | | | |
| ARIB | ARIB STD-T63-35.201 | 5.0.0 | Approved | Jul 13 | http://www.arib.or.jp/english/html/overview/doc/STD-T63v10_00/2_T63/ARIB-STD-T63/Rel5/35/A35201-500.pdf |
| CCSA | CCSA-TSD-DS-35.201 | 5.0.0 | Published | Jun 12 | http://www.ccsa.org.cn/english/tc/files.php?docpath=/ITU-R/M.1457/M.1457-12/DS |
| ETSI | ETSI TS 135 201 | 5.0.0 | Published | Jun 02 | http://www.etsi.org/deliver/etsi_ts/135200_135299/135201/05.00.00_60/ |
| Release 6 | | | | | |
| ARIB | ARIB STD-T63-35.201 | 6.1.0 | Approved | Jul 13 | http://www.arib.or.jp/english/html/overview/doc/STD-T63v10_00/2_T63/ARIB-STD-T63/Rel6/35/A35201-610.pdf |
| CCSA | CCSA-TSD-DS-35.201 | 6.1.0 | Published | Jun 12 | http://www.ccsa.org.cn/english/tc/files.php?docpath=/ITU-R/M.1457/M.1457-12/DS |
| ETSI | ETSI TS 135 201 | 6.1.0 | Published | Oct 05 | http://www.etsi.org/deliver/etsi_ts/135200_135299/135201/06.01.00_60/ |
| Release 7 | | | | | |
| ARIB | ARIB STD-T63-35.201 | 7.0.0 | Approved | Jul 13 | http://www.arib.or.jp/english/html/overview/doc/STD-T63v10_00/2_T63/ARIB-STD-T63/Rel7/35/A35201-700.pdf |
| CCSA | CCSA-TSD-DS-35.201 | 7.0.0 | Published | Jun 12 | http://www.ccsa.org.cn/english/tc/files.php?docpath=/ITU-R/M.1457/M.1457-12/DS |
| ETSI | ETSI TS 135 201 | 7.0.0 | Published | Jun 07 | http://www.etsi.org/deliver/etsi_ts/135200_135299/135201/07.00.00_60/ |
| Release 8 | | | | | |
| ARIB | ARIB STD-T63-35.201 | 8.0.0 | Approved | Jul 13 | http://www.arib.or.jp/english/html/overview/doc/STD-T63v10_00/2_T63/ARIB-STD-T63/Rel8/35/A35201-800.pdf |
| CCSA | CCSA-TSD-DS-35.201 | 8.0.0 | Published | Jun 12 | http://www.ccsa.org.cn/english/tc/files.php?docpath=/ITU-R/M.1457/M.1457-12/DS |
| ETSI | ETSI TS 135 201 | 8.0.0 | Published | Feb 09 | http://www.etsi.org/deliver/etsi_ts/135200_135299/135201/08.00.00_60/ |
| Release 9 | | | | | |
| ARIB | ARIB STD-T63-35.201 | 9.0.0 | Approved | Jul 13 | http://www.arib.or.jp/english/html/overview/doc/STD-T63v10_00/2_T63/ARIB-STD-T63/Rel9/35/A35201-900.pdf |
| CCSA | CCSA-TSD-DS-35.201 | 9.0.0 | Published | Jun 12 | http://www.ccsa.org.cn/english/tc/files.php?docpath=/ITU-R/M.1457/M.1457-12/DS |
| ETSI | ETSI TS 135 201 | 9.0.0 | Published | Feb 10 | http://www.etsi.org/deliver/etsi_ts/135200_135299/135201/09.00.00_60/ |
| Release 10 | | | | | |
| ARIB | ARIB STD-T63-35.201 | 10.0.0 | Approved | Jul 13 | http://www.arib.or.jp/english/html/overview/doc/STD-T63v10_00/2_T63/ARIB-STD-T63/Rel10/35/A35201-a00.pdf |
| CCSA | CCSA-TSD-DS-35.201 | 10.0.0 | Published | Jun 12 | http://www.ccsa.org.cn/english/tc/files.php?docpath=/ITU-R/M.1457/M.1457-12/DS |
| ETSI | ETSI TS 135 201 | 10.0.0 | Published | Apr 11 | http://www.etsi.org/deliver/etsi_ts/135200_135299/135201/10.00.00_60/ |
| TTA | TTAT.3G-35.201(R10-10.0.0) | 10.0.0 | Approved | Apr 12 | http://www.tta.or.kr/data/ttasDown.jsp?where=14688&pk_num=TTAT.3G-35.201(R10-10.0.0) |
| Release 11 | | | | | |
| ARIB | ARIB STD-T63-35.201 | 11.0.0 | Approved | Jul 13 | http://www.arib.or.jp/english/html/overview/doc/STD-T63v10_00/2_T63/ARIB-STD-T63/Rel11/35/A35201-b00.pdf |
| CCSA | CCSA-TSD-DS-35.201 | 11.0.0 | Published | Jun 14 | http://www.ccsa.org.cn/english/tc/files.php?docpath=/ITU-R/M.1457/M.1457-12/DS |
| ETSI | ETSI TS 135 201 | 11.0.0 | Published | Nov 12 | http://www.etsi.org/deliver/etsi_ts/135200_135299/135201/11.00.00_60/ |
| TTA | TTAT.3G-35.201(R11-11.0.0) | 11.0.0 | published | Aug 13 | http://www.tta.or.kr/data/ttasDown.jsp?where=14688&pk_num=TTAT.3G-35.201(R11-11.0.0) |

5.1.2.13.137 TS 35.202

3G Security; Specification of the 3GPP confidentiality and integrity algorithms; Document 2: Kasumi specification

This specification gives a detailed specification of the 3GPP Algorithm KASUMI. KASUMI is a block cipher that forms the heart of the 3GPP confidentiality algorithm f8, and the 3GPP integrity algorithm f9.

| SDO (2) | Document No. | Version | Status | Issued date | Location (1) |
|---------|--------------|---------|--------|-------------|--------------|
|---------|--------------|---------|--------|-------------|--------------|

Release 99

| | | | | | |
|------|---------------------|-------|-----------|--------|---|
| ARIB | ARIB STD-T63-35.202 | 3.1.2 | Approved | Jul 13 | http://www.arib.or.jp/english/html/overview/doc/STD-T63v10_00/2_T63/ARIB-STD-T63/R99/35/A35202-312.pdf |
| CCSA | CCSA-TSD-DS-35.202 | 3.1.2 | Published | Jun 12 | http://www.ccsa.org.cn/english/tc/files.php?docpath=/ITU-R/M.1457/M.1457-12/DS |
| ETSI | ETSI TS 135 202 | 3.1.2 | Published | Aug 01 | http://www.etsi.org/deliver/etsi_ts/135200_135299/135202/03.01.02_60/ |

Release 4

| | | | | | |
|------|---------------------|-------|-----------|--------|---|
| ARIB | ARIB STD-T63-35.202 | 4.0.0 | Approved | Jul 13 | http://www.arib.or.jp/english/html/overview/doc/STD-T63v10_00/2_T63/ARIB-STD-T63/Rel4/35/A35202-400.pdf |
| CCSA | CCSA-TSD-DS-35.202 | 4.0.0 | Published | Jun 12 | http://www.ccsa.org.cn/english/tc/files.php?docpath=/ITU-R/M.1457/M.1457-12/DS |
| ETSI | ETSI TS 135 202 | 4.0.0 | Published | Aug 01 | http://www.etsi.org/deliver/etsi_ts/135200_135299/135202/04.00.00_60/ |

Release 5

| | | | | | |
|------|---------------------|-------|-----------|--------|---|
| ARIB | ARIB STD-T63-35.202 | 5.0.0 | Approved | Jul 13 | http://www.arib.or.jp/english/html/overview/doc/STD-T63v10_00/2_T63/ARIB-STD-T63/Rel5/35/A35202-500.pdf |
| CCSA | CCSA-TSD-DS-35.202 | 5.0.0 | Published | Jun 12 | http://www.ccsa.org.cn/english/tc/files.php?docpath=/ITU-R/M.1457/M.1457-12/DS |
| ETSI | ETSI TS 135 202 | 5.0.0 | Published | Jun 02 | http://www.etsi.org/deliver/etsi_ts/135200_135299/135202/05.00.00_60/ |

Release 6

| | | | | | |
|------|---------------------|-------|-----------|--------|---|
| ARIB | ARIB STD-T63-35.202 | 6.1.0 | Approved | Jul 13 | http://www.arib.or.jp/english/html/overview/doc/STD-T63v10_00/2_T63/ARIB-STD-T63/Rel6/35/A35202-610.pdf |
| CCSA | CCSA-TSD-DS-35.202 | 6.1.0 | Published | Jun 12 | http://www.ccsa.org.cn/english/tc/files.php?docpath=/ITU-R/M.1457/M.1457-12/DS |
| ETSI | ETSI TS 135 202 | 6.1.0 | Published | Oct 05 | http://www.etsi.org/deliver/etsi_ts/135200_135299/135202/06.01.00_60/ |

Release 7

| | | | | | |
|------|---------------------|-------|-----------|--------|---|
| ARIB | ARIB STD-T63-35.202 | 7.0.0 | Approved | Jul 13 | http://www.arib.or.jp/english/html/overview/doc/STD-T63v10_00/2_T63/ARIB-STD-T63/Rel7/35/A35202-700.pdf |
| CCSA | CCSA-TSD-DS-35.202 | 7.0.0 | Published | Jun 12 | http://www.ccsa.org.cn/english/tc/files.php?docpath=/ITU-R/M.1457/M.1457-12/DS |
| ETSI | ETSI TS 135 202 | 7.0.0 | Published | Jun 07 | http://www.etsi.org/deliver/etsi_ts/135200_135299/135202/07.00.00_60/ |

Release 8

| | | | | | |
|------|---------------------|-------|-----------|--------|---|
| ARIB | ARIB STD-T63-35.202 | 8.0.0 | Approved | Jul 13 | http://www.arib.or.jp/english/html/overview/doc/STD-T63v10_00/2_T63/ARIB-STD-T63/Rel8/35/A35202-800.pdf |
| CCSA | CCSA-TSD-DS-35.202 | 8.0.0 | Published | Jun 12 | http://www.ccsa.org.cn/english/tc/files.php?docpath=/ITU-R/M.1457/M.1457-12/DS |
| ETSI | ETSI TS 135 202 | 8.0.0 | Published | Feb 09 | http://www.etsi.org/deliver/etsi_ts/135200_135299/135202/08.00.00_60/ |

Release 9

| | | | | | |
|------|---------------------|-------|-----------|--------|---|
| ARIB | ARIB STD-T63-35.202 | 9.0.0 | Approved | Jul 13 | http://www.arib.or.jp/english/html/overview/doc/STD-T63v10_00/2_T63/ARIB-STD-T63/Rel9/35/A35202-900.pdf |
| CCSA | CCSA-TSD-DS-35.202 | 9.0.0 | Published | Jun 12 | http://www.ccsa.org.cn/english/tc/files.php?docpath=/ITU-R/M.1457/M.1457-12/DS |
| ETSI | ETSI TS 135 202 | 9.0.0 | Published | Feb 10 | http://www.etsi.org/deliver/etsi_ts/135200_135299/135202/09.00.00_60/ |

Release 10

| | | | | | |
|------|----------------------------|--------|-----------|--------|---|
| ARIB | ARIB STD-T63-35.202 | 10.0.0 | Approved | Jul 13 | http://www.arib.or.jp/english/html/overview/doc/STD-T63v10_00/2_T63/ARIB-STD-T63/Rel10/35/A35202-a00.pdf |
| CCSA | CCSA-TSD-DS-35.202 | 10.0.0 | Published | Jun 12 | http://www.ccsa.org.cn/english/tc/files.php?docpath=/ITU-R/M.1457/M.1457-12/DS |
| ETSI | ETSI TS 135 202 | 10.0.0 | Published | Apr 11 | http://www.etsi.org/deliver/etsi_ts/135200_135299/135202/10.00.00_60/ |
| TTA | TTAT.3G-35.202(R10-10.0.0) | 10.0.0 | Approved | Apr 12 | http://www.tta.or.kr/data/ttasDown.jsp?where=14688&pk_num=TTAT.3G-35.202(R10-10.0.0) |

Release 11

| | | | | | |
|------|----------------------------|--------|-----------|--------|---|
| ARIB | ARIB STD-T63-35.202 | 11.0.0 | Approved | Jul 13 | http://www.arib.or.jp/english/html/overview/doc/STD-T63v10_00/2_T63/ARIB-STD-T63/Rel11/35/A35202-b00.pdf |
| CCSA | CCSA-TSD-DS-35.202 | 11.0.0 | Published | Jun 14 | http://www.ccsa.org.cn/english/tc/files.php?docpath=/ITU-R/M.1457/M.1457-12/DS |
| ETSI | ETSI TS 135 202 | 11.0.0 | Published | Nov 12 | http://www.etsi.org/deliver/etsi_ts/135200_135299/135202/11.00.00_60/ |
| TTA | TTAT.3G-35.202(R11-11.0.0) | 11.0.0 | published | Aug 13 | http://www.tta.or.kr/data/ttasDown.jsp?where=14688&pk_num=TTAT.3G-35.202(R11-11.0.0) |

5.1.2.13.138 TS 35.203**3G Security; Specification of the 3GPP confidentiality and integrity algorithms; Document 3: Implementors' test data**

This specification gives detailed test data for implementors of the algorithm set. It provides visibility of the internal state of the algorithm to aid in the

realization of the algorithms.

| SDO (2) | Document No. | Version | Status | Issued date | Location (1) |
|-------------------|----------------------------|---------|-----------|-------------|---|
| Release 99 | | | | | |
| ARIB | ARIB STD-T63-35.203 | 3.1.2 | Approved | Jul 13 | http://www.arib.or.jp/english/html/overview/doc/STD-T63v10_00/2_T63/ARIB-STD-T63/R99/35/A35203-312.pdf |
| CCSA | CCSA-TSD-DS-35.203 | 3.1.2 | Published | Jun 12 | http://www.ccsa.org.cn/english/tc/files.php?docpath=/ITU-R/M.1457/M.1457-12/DS |
| ETSI | ETSI TS 135 203 | 3.1.2 | Published | Aug 01 | http://www.etsi.org/deliver/etsi_ts/135200_135299/135203/03.01.02_60/ |
| Release 4 | | | | | |
| ARIB | ARIB STD-T63-35.203 | 4.0.0 | Approved | Jul 13 | http://www.arib.or.jp/english/html/overview/doc/STD-T63v10_00/2_T63/ARIB-STD-T63/Rel4/35/A35203-400.pdf |
| CCSA | CCSA-TSD-DS-35.203 | 4.0.0 | Published | Jun 12 | http://www.ccsa.org.cn/english/tc/files.php?docpath=/ITU-R/M.1457/M.1457-12/DS |
| ETSI | ETSI TS 135 203 | 4.0.0 | Published | Aug 01 | http://www.etsi.org/deliver/etsi_ts/135200_135299/135203/04.00.00_60/ |
| Release 5 | | | | | |
| ARIB | ARIB STD-T63-35.203 | 5.0.0 | Approved | Jul 13 | http://www.arib.or.jp/english/html/overview/doc/STD-T63v10_00/2_T63/ARIB-STD-T63/Rel5/35/A35203-500.pdf |
| CCSA | CCSA-TSD-DS-35.203 | 5.0.0 | Published | Jun 12 | http://www.ccsa.org.cn/english/tc/files.php?docpath=/ITU-R/M.1457/M.1457-12/DS |
| ETSI | ETSI TS 135 203 | 5.0.0 | Published | Jun 02 | http://www.etsi.org/deliver/etsi_ts/135200_135299/135203/05.00.00_60/ |
| Release 6 | | | | | |
| ARIB | ARIB STD-T63-35.203 | 6.0.0 | Approved | Jul 13 | http://www.arib.or.jp/english/html/overview/doc/STD-T63v10_00/2_T63/ARIB-STD-T63/Rel6/35/A35203-600.pdf |
| CCSA | CCSA-TSD-DS-35.203 | 6.0.0 | Published | Jun 12 | http://www.ccsa.org.cn/english/tc/files.php?docpath=/ITU-R/M.1457/M.1457-12/DS |
| ETSI | ETSI TS 135 203 | 6.0.0 | Published | Jan 05 | http://www.etsi.org/deliver/etsi_ts/135200_135299/135203/06.00.00_60/ |
| Release 7 | | | | | |
| ARIB | ARIB STD-T63-35.203 | 7.0.0 | Approved | Jul 13 | http://www.arib.or.jp/english/html/overview/doc/STD-T63v10_00/2_T63/ARIB-STD-T63/Rel7/35/A35203-700.pdf |
| CCSA | CCSA-TSD-DS-35.203 | 7.0.0 | Published | Jun 12 | http://www.ccsa.org.cn/english/tc/files.php?docpath=/ITU-R/M.1457/M.1457-12/DS |
| ETSI | ETSI TS 135 203 | 7.0.0 | Published | Jun 07 | http://www.etsi.org/deliver/etsi_ts/135200_135299/135203/07.00.00_60/ |
| Release 8 | | | | | |
| ARIB | ARIB STD-T63-35.203 | 8.0.0 | Approved | Jul 13 | http://www.arib.or.jp/english/html/overview/doc/STD-T63v10_00/2_T63/ARIB-STD-T63/Rel8/35/A35203-800.pdf |
| CCSA | CCSA-TSD-DS-35.203 | 8.0.0 | Published | Jun 12 | http://www.ccsa.org.cn/english/tc/files.php?docpath=/ITU-R/M.1457/M.1457-12/DS |
| ETSI | ETSI TS 135 203 | 8.0.0 | Published | Feb 09 | http://www.etsi.org/deliver/etsi_ts/135200_135299/135203/08.00.00_60/ |
| Release 9 | | | | | |
| ARIB | ARIB STD-T63-35.203 | 9.0.0 | Approved | Jul 13 | http://www.arib.or.jp/english/html/overview/doc/STD-T63v10_00/2_T63/ARIB-STD-T63/Rel9/35/A35203-900.pdf |
| CCSA | CCSA-TSD-DS-35.203 | 9.0.0 | Published | Jun 12 | http://www.ccsa.org.cn/english/tc/files.php?docpath=/ITU-R/M.1457/M.1457-12/DS |
| ETSI | ETSI TS 135 203 | 9.0.0 | Published | Feb 10 | http://www.etsi.org/deliver/etsi_ts/135200_135299/135203/09.00.00_60/ |
| Release 10 | | | | | |
| ARIB | ARIB STD-T63-35.203 | 10.0.0 | Approved | Jul 13 | http://www.arib.or.jp/english/html/overview/doc/STD-T63v10_00/2_T63/ARIB-STD-T63/Rel10/35/A35203-a00.pdf |
| CCSA | CCSA-TSD-DS-35.203 | 10.0.0 | Published | Jun 12 | http://www.ccsa.org.cn/english/tc/files.php?docpath=/ITU-R/M.1457/M.1457-12/DS |
| ETSI | ETSI TS 135 203 | 10.0.0 | Published | Apr 11 | http://www.etsi.org/deliver/etsi_ts/135200_135299/135203/10.00.00_60/ |
| TTA | TTAT.3G-35.203(R10-10.0.0) | 10.0.0 | Approved | Aug 12 | http://www.tta.or.kr/data/ttasDown.jsp?where=14688&pk_num=TTAT.3G-35.203(R10-10.0.0) |
| Release 11 | | | | | |
| ARIB | ARIB STD-T63-35.203 | 11.0.0 | Approved | Jul 13 | http://www.arib.or.jp/english/html/overview/doc/STD-T63v10_00/2_T63/ARIB-STD-T63/Rel11/35/A35203-b00.pdf |
| CCSA | CCSA-TSD-DS-35.203 | 11.0.0 | Published | Jun 14 | http://www.ccsa.org.cn/english/tc/files.php?docpath=/ITU-R/M.1457/M.1457-12/DS |
| ETSI | ETSI TS 135 203 | 11.0.0 | Published | Nov 12 | http://www.etsi.org/deliver/etsi_ts/135200_135299/135203/11.00.00_60/ |
| TTA | TTAT.3G-35.203(R11-11.0.0) | 11.0.0 | published | Aug 14 | http://www.tta.or.kr/data/ttasDown.jsp?where=14688&pk_num=TTAT.3G-22.906(R11-11.0.0) |

5.1.2.13.139 TS 35.204

3G Security; Specification of the 3GPP confidentiality and integrity algorithms; Document 4: Design conformance test data

This specification gives black-box test data for the algorithm set. The test data has been selected to give a high degree of confidence that the implementation is correct. However, no claim is made that conformance with this test data guarantees a correct implementation.

| SDO (2) | Document No. | Version | Status | Issued date | Location (1) |
|-------------------|----------------------------|---------|-----------|-------------|---|
| Release 99 | | | | | |
| ARIB | ARIB STD-T63-35.204 | 3.1.2 | Approved | Jul 13 | http://www.arib.or.jp/english/html/overview/doc/STD-T63v10_00/2_T63/ARIB-STD-T63/R99/35/A35204-312.pdf |
| CCSA | CCSA-TSD-DS-35.204 | 3.1.2 | Published | Jun 12 | http://www.ccsa.org.cn/english/tc/files.php?docpath=/ITU-R/M.1457/M.1457-12/DS |
| ETSI | ETSI TS 135 204 | 3.1.2 | Published | Aug 01 | http://www.etsi.org/deliver/etsi_ts/135200_135299/135204/03.01.02_60/ |
| Release 4 | | | | | |
| ARIB | ARIB STD-T63-35.204 | 4.0.0 | Approved | Jul 13 | http://www.arib.or.jp/english/html/overview/doc/STD-T63v10_00/2_T63/ARIB-STD-T63/Rel4/35/A35204-400.pdf |
| CCSA | CCSA-TSD-DS-35.204 | 4.0.0 | Published | Jun 12 | http://www.ccsa.org.cn/english/tc/files.php?docpath=/ITU-R/M.1457/M.1457-12/DS |
| ETSI | ETSI TS 135 204 | 4.0.0 | Published | Aug 01 | http://www.etsi.org/deliver/etsi_ts/135200_135299/135204/04.00.00_60/ |
| Release 5 | | | | | |
| ARIB | ARIB STD-T63-35.204 | 5.0.0 | Approved | Jul 13 | http://www.arib.or.jp/english/html/overview/doc/STD-T63v10_00/2_T63/ARIB-STD-T63/Rel5/35/A35204-500.pdf |
| CCSA | CCSA-TSD-DS-35.204 | 5.0.0 | Published | Jun 12 | http://www.ccsa.org.cn/english/tc/files.php?docpath=/ITU-R/M.1457/M.1457-12/DS |
| ETSI | ETSI TS 135 204 | 5.0.0 | Published | Jun 02 | http://www.etsi.org/deliver/etsi_ts/135200_135299/135204/05.00.00_60/ |
| Release 6 | | | | | |
| ARIB | ARIB STD-T63-35.204 | 6.0.0 | Approved | Jul 13 | http://www.arib.or.jp/english/html/overview/doc/STD-T63v10_00/2_T63/ARIB-STD-T63/Rel6/35/A35204-600.pdf |
| CCSA | CCSA-TSD-DS-35.204 | 6.0.0 | Published | Jun 12 | http://www.ccsa.org.cn/english/tc/files.php?docpath=/ITU-R/M.1457/M.1457-12/DS |
| ETSI | ETSI TS 135 204 | 6.0.0 | Published | Jan 05 | http://www.etsi.org/deliver/etsi_ts/135200_135299/135204/06.00.00_60/ |
| Release 7 | | | | | |
| ARIB | ARIB STD-T63-35.204 | 7.0.0 | Approved | Jul 13 | http://www.arib.or.jp/english/html/overview/doc/STD-T63v10_00/2_T63/ARIB-STD-T63/Rel7/35/A35204-700.pdf |
| CCSA | CCSA-TSD-DS-35.204 | 7.0.0 | Published | Jun 12 | http://www.ccsa.org.cn/english/tc/files.php?docpath=/ITU-R/M.1457/M.1457-12/DS |
| ETSI | ETSI TS 135 204 | 7.0.0 | Published | Jun 07 | http://www.etsi.org/deliver/etsi_ts/135200_135299/135204/07.00.00_60/ |
| Release 8 | | | | | |
| ARIB | ARIB STD-T63-35.204 | 8.0.0 | Approved | Jul 13 | http://www.arib.or.jp/english/html/overview/doc/STD-T63v10_00/2_T63/ARIB-STD-T63/Rel8/35/A35204-800.pdf |
| CCSA | CCSA-TSD-DS-35.204 | 8.0.0 | Published | Jun 12 | http://www.ccsa.org.cn/english/tc/files.php?docpath=/ITU-R/M.1457/M.1457-12/DS |
| ETSI | ETSI TS 135 204 | 8.0.0 | Published | Feb 09 | http://www.etsi.org/deliver/etsi_ts/135200_135299/135204/08.00.00_60/ |
| Release 9 | | | | | |
| ARIB | ARIB STD-T63-35.204 | 9.0.0 | Approved | Jul 13 | http://www.arib.or.jp/english/html/overview/doc/STD-T63v10_00/2_T63/ARIB-STD-T63/Rel9/35/A35204-900.pdf |
| CCSA | CCSA-TSD-DS-35.204 | 9.0.0 | Published | Jun 12 | http://www.ccsa.org.cn/english/tc/files.php?docpath=/ITU-R/M.1457/M.1457-12/DS |
| ETSI | ETSI TS 135 204 | 9.0.0 | Published | Feb 10 | http://www.etsi.org/deliver/etsi_ts/135200_135299/135204/09.00.00_60/ |
| Release 10 | | | | | |
| ARIB | ARIB STD-T63-35.204 | 10.0.0 | Approved | Jul 13 | http://www.arib.or.jp/english/html/overview/doc/STD-T63v10_00/2_T63/ARIB-STD-T63/Rel10/35/A35204-a00.pdf |
| CCSA | CCSA-TSD-DS-35.204 | 10.0.0 | Published | Jun 12 | http://www.ccsa.org.cn/english/tc/files.php?docpath=/ITU-R/M.1457/M.1457-12/DS |
| ETSI | ETSI TS 135 204 | 10.0.0 | Published | Apr 11 | http://www.etsi.org/deliver/etsi_ts/135200_135299/135204/10.00.00_60/ |
| TTA | TTAT.3G-35.204(R10-10.0.0) | 10.0.0 | Approved | Aug 12 | http://www.tta.or.kr/data/ttasDown.jsp?where=14688&pk_num=TTAT.3G-35.204(R10-10.0.0) |
| Release 11 | | | | | |
| ARIB | ARIB STD-T63-35.204 | 11.0.0 | Approved | Jul 13 | http://www.arib.or.jp/english/html/overview/doc/STD-T63v10_00/2_T63/ARIB-STD-T63/Rel11/35/A35204-b00.pdf |
| CCSA | CCSA-TSD-DS-35.204 | 11.0.0 | Published | Jun 14 | http://www.ccsa.org.cn/english/tc/files.php?docpath=/ITU-R/M.1457/M.1457-12/DS |

| | | | | | |
|------|----------------------------|--------|-----------|--------|---|
| ETSI | ETSI TS 135 204 | 11.0.0 | Published | Nov 12 | http://www.etsi.org/deliver/etsi_ts/135200_135299/135204/11.00.00_60/ |
| TTA | TTAT.3G-35.204(R11-11.0.0) | 11.0.0 | published | Aug 14 | http://www.tta.or.kr/data/ttasDown.jsp?where=14688&pk_num=TTAT.3G-22.908(R11-11.0.0) |

5.1.2.13.140 TS 35.205

3G Security; Specification of the MILENAGE algorithm set: An example algorithm set for the 3GPP authentication and key generation functions f1, f1*, f2, f3, f4, f5 and f5*; Document 1: General

This report is a description of the work undertaken by an ETSI SAGE Task Force on the design of the Milenage Algorithm Set: an example set of 3GPP Authentication and Key Generation Functions.

The 3GPP Authentication and Key Generation Functions are not standardized. An example set of these algorithms has been produced on request from 3GPP with the intent that it shall be offered to the UMTS operators, to utilize instead of developing their own. An ETSI SAGE Task Force has carried out this work.

The requirement specification from 3GPP SA3 stated that operator personalization of the example set must be possible and that the basic kernel must be possible to replace.

The example set is based on the block cipher Rijndael, which at the time was one of the AES candidates and the specification describes how the 7 algorithms used in 3GPP authentication and key generation are scheduled around this basic kernel. The specification and associated test data for the example algorithm set is documented in three documents:

- A formal specification of both the modes and the example kernel;
- A detailed test data document, covering modes and the example kernel;
- A “black box” test data document. A detailed summary of the evaluation is provided in a public evaluation report, ETSI SAGE 3GPP AF TF: “Report on the design and evaluation of 3GPP Authentication and Key Generation Functions”. This report gives an overview of the overall work by the task force.

| SDO (2) | Document No. | Version | Status | Issued date | Location (1) |
|------------------|--------------------|---------|-----------|-------------|---|
| Release 4 | | | | | |
| CCSA | CCSA-TSD-DS-35.205 | 4.0.0 | Published | Jun 12 | http://www.ccsa.org.cn/english/tc/files.php?docpath=/ITU-R/M.1457/M.1457-12/DS |
| ETSI | ETSI TS 135 205 | 4.0.0 | Published | May 01 | http://www.etsi.org/deliver/etsi_ts/135200_135299/135205/04.00.00_60/ |
| Release 5 | | | | | |
| CCSA | CCSA-TSD-DS-35.205 | 5.0.0 | Published | Jun 12 | http://www.ccsa.org.cn/english/tc/files.php?docpath=/ITU-R/M.1457/M.1457-12/DS |
| ETSI | ETSI TS 135 205 | 5.0.0 | Published | Jun 02 | http://www.etsi.org/deliver/etsi_ts/135200_135299/135205/05.00.00_60/ |
| Release 6 | | | | | |
| CCSA | CCSA-TSD-DS-35.205 | 6.0.0 | Published | Jun 12 | http://www.ccsa.org.cn/english/tc/files.php?docpath=/ITU-R/M.1457/M.1457-12/DS |
| ETSI | ETSI TS 135 205 | 6.0.0 | Published | Jan 05 | http://www.etsi.org/deliver/etsi_ts/135200_135299/135205/06.00.00_60/ |
| Release 7 | | | | | |
| CCSA | CCSA-TSD-DS-35.205 | 7.0.0 | Published | Jun 12 | http://www.ccsa.org.cn/english/tc/files.php?docpath=/ITU-R/M.1457/M.1457-12/DS |

| | | | | | |
|-------------------|----------------------------|--------|-----------|--------|---|
| ETSI | ETSI TS 135 205 | 7.0.0 | Published | Jun 07 | http://www.etsi.org/deliver/etsi_ts/135200_135299/135205/07.00.00_60/ |
| Release 8 | | | | | |
| CCSA | CCSA-TSD-DS-35.205 | 8.0.0 | Published | Jun 12 | http://www.ccsa.org.cn/english/tc/files.php?docpath=/ITU-R/M.1457/M.1457-12/DS |
| ETSI | ETSI TS 135 205 | 8.0.0 | Published | Feb 09 | http://www.etsi.org/deliver/etsi_ts/135200_135299/135205/08.00.00_60/ |
| Release 9 | | | | | |
| CCSA | CCSA-TSD-DS-35.205 | 9.0.0 | Published | Jun 12 | http://www.ccsa.org.cn/english/tc/files.php?docpath=/ITU-R/M.1457/M.1457-12/DS |
| ETSI | ETSI TS 135 205 | 9.0.0 | Published | Feb 10 | http://www.etsi.org/deliver/etsi_ts/135200_135299/135205/09.00.00_60/ |
| Release 10 | | | | | |
| CCSA | CCSA-TSD-DS-35.205 | 10.0.0 | Published | Jun 12 | http://www.ccsa.org.cn/english/tc/files.php?docpath=/ITU-R/M.1457/M.1457-12/DS |
| ETSI | ETSI TS 135 205 | 10.0.0 | Published | Apr 11 | http://www.etsi.org/deliver/etsi_ts/135200_135299/135205/10.00.00_60/ |
| TTA | TTAT.3G-35.205(R10-10.0.0) | 10.0.0 | Approved | Apr 12 | http://www.tta.or.kr/data/ttasDown.jsp?where=14688&pk_num=TTAT.3G-35.205(R10-10.0.0) |
| Release 11 | | | | | |
| CCSA | CCSA-TSD-DS-35.205 | 11.0.0 | Published | Jun 14 | http://www.ccsa.org.cn/english/tc/files.php?docpath=/ITU-R/M.1457/M.1457-12/DS |
| ETSI | ETSI TS 135 205 | 11.0.0 | Published | Nov 12 | http://www.etsi.org/deliver/etsi_ts/135200_135299/135205/11.00.00_60/ |
| TTA | TTAT.3G-35.205(R11-11.0.0) | 11.0.0 | published | Aug 13 | http://www.tta.or.kr/data/ttasDown.jsp?where=14688&pk_num=TTAT.3G-35.205(R11-11.0.0) |

5.1.2.13.141 TS 35.206

3G Security; Specification of the MILENAGE algorithm set: An example algorithm set for the 3GPP authentication and key generation functions f1, f1*, f2, f3, f4, f5 and f5*; Document 2: Algorithm specification

This document has been prepared by the 3GPP Task Force, and contains an example set of algorithms which may be used as the authentication and key generation functions f1, f1*, f2, f3, f4, f5 and f5*. (It is not mandatory that the particular algorithms specified in this document are used – all seven functions are operator-specifiable rather than being fully standardized.)

| SDO (2) | Document No. | Version | Status | Issued date | Location (1) |
|------------------|--------------------|---------|-----------|-------------|---|
| Release 4 | | | | | |
| CCSA | CCSA-TSD-DS-35.206 | 4.0.0 | Published | Jun 12 | http://www.ccsa.org.cn/english/tc/files.php?docpath=/ITU-R/M.1457/M.1457-12/DS |
| ETSI | ETSI TS 135 206 | 4.0.0 | Published | Jun 01 | http://www.etsi.org/deliver/etsi_ts/135200_135299/135206/04.00.00_60/ |
| Release 5 | | | | | |
| CCSA | CCSA-TSD-DS-35.206 | 5.1.0 | Published | Jun 12 | http://www.ccsa.org.cn/english/tc/files.php?docpath=/ITU-R/M.1457/M.1457-12/DS |
| ETSI | ETSI TS 135 206 | 5.1.0 | Published | Jun 03 | http://www.etsi.org/deliver/etsi_ts/135200_135299/135206/05.01.00_60/ |
| Release 6 | | | | | |
| CCSA | CCSA-TSD-DS-35.206 | 6.0.0 | Published | Jun 12 | http://www.ccsa.org.cn/english/tc/files.php?docpath=/ITU-R/M.1457/M.1457-12/DS |
| ETSI | ETSI TS 135 206 | 6.0.0 | Published | Jan 05 | http://www.etsi.org/deliver/etsi_ts/135200_135299/135206/06.00.00_60/ |
| Release 7 | | | | | |
| CCSA | CCSA-TSD-DS-35.206 | 7.0.0 | Published | Jun 12 | http://www.ccsa.org.cn/english/tc/files.php?docpath=/ITU-R/M.1457/M.1457-12/DS |
| ETSI | ETSI TS 135 206 | 7.0.0 | Published | Jun 07 | http://www.etsi.org/deliver/etsi_ts/135200_135299/135206/07.00.00_60/ |
| Release 8 | | | | | |
| CCSA | CCSA-TSD-DS-35.206 | 8.0.0 | Published | Jun 12 | http://www.ccsa.org.cn/english/tc/files.php?docpath=/ITU-R/M.1457/M.1457-12/DS |
| ETSI | ETSI TS 135 206 | 8.0.0 | Published | Feb 09 | http://www.etsi.org/deliver/etsi_ts/135200_135299/135206/08.00.00_60/ |
| Release 9 | | | | | |

| | | | | | |
|-------------------|----------------------------|--------|-----------|--------|---|
| CCSA | CCSA-TSD-DS-35.206 | 9.0.0 | Published | Jun 12 | http://www.ccsa.org.cn/english/tc/files.php?docpath=/ITU-R/M.1457/M.1457-12/DS |
| ETSI | ETSI TS 135 206 | 9.0.0 | Published | Feb 10 | http://www.etsi.org/deliver/etsi_ts/135200_135299/135206/09.00.00_60/ |
| Release 10 | | | | | |
| CCSA | CCSA-TSD-DS-35.206 | 10.0.0 | Published | Jun 12 | http://www.ccsa.org.cn/english/tc/files.php?docpath=/ITU-R/M.1457/M.1457-12/DS |
| ETSI | ETSI TS 135 206 | 10.0.0 | Published | Apr 11 | http://www.etsi.org/deliver/etsi_ts/135200_135299/135206/10.00.00_60/ |
| TTA | TTAT.3G-35.206(R10-10.0.0) | 10.0.0 | Approved | Apr 12 | http://www.tta.or.kr/data/ttasDown.jsp?where=14688&pk_num=TTAT.3G-35.206(R10-10.0.0) |
| Release 11 | | | | | |
| CCSA | CCSA-TSD-DS-35.206 | 11.0.0 | Published | Jun 14 | http://www.ccsa.org.cn/english/tc/files.php?docpath=/ITU-R/M.1457/M.1457-12/DS |
| ETSI | ETSI TS 135 206 | 11.0.0 | Published | Nov 12 | http://www.etsi.org/deliver/etsi_ts/135200_135299/135206/11.00.00_60/ |
| TTA | TTAT.3G-35.206(R11-11.0.0) | 11.0.0 | published | Aug 13 | http://www.tta.or.kr/data/ttasDown.jsp?where=14688&pk_num=TTAT.3G-35.206(R11-11.0.0) |

5.1.2.13.142 TS 35.207

3G Security; Specification of the MILENAGE algorithm set: An example algorithm set for the 3GPP authentication and key generation functions f1, f1*, f2, f3, f4, f5 and f5*; Document 3: Implementors' test data

This document has been prepared by the 3GPP Task Force, and contains an example set of algorithms which may be used as the authentication and key generation functions f1, f1*, f2, f3, f4, f5 and f5*. (It is not mandatory that the particular algorithms specified in this document are used – all seven functions are operator-specifiable rather than being fully standardized.)

| SDO (2) | Document No. | Version | Status | Issued date | Location (1) |
|-------------------|----------------------------|---------|-----------|-------------|---|
| Release 4 | | | | | |
| CCSA | CCSA-TSD-DS-35.207 | 4.0.0 | Published | Jun 12 | http://www.ccsa.org.cn/english/tc/files.php?docpath=/ITU-R/M.1457/M.1457-12/DS |
| ETSI | ETSI TS 135 207 | 4.0.0 | Published | Jun 01 | http://www.etsi.org/deliver/etsi_ts/135200_135299/135207/04.00.00_60/ |
| Release 5 | | | | | |
| CCSA | CCSA-TSD-DS-35.207 | 5.0.0 | Published | Jun 12 | http://www.ccsa.org.cn/english/tc/files.php?docpath=/ITU-R/M.1457/M.1457-12/DS |
| ETSI | ETSI TS 135 207 | 5.0.0 | Published | Jun 02 | http://www.etsi.org/deliver/etsi_ts/135200_135299/135207/05.00.00_60/ |
| Release 6 | | | | | |
| CCSA | CCSA-TSD-DS-35.207 | 6.0.0 | Published | Jun 12 | http://www.ccsa.org.cn/english/tc/files.php?docpath=/ITU-R/M.1457/M.1457-12/DS |
| ETSI | ETSI TS 135 207 | 6.0.0 | Published | Jan 05 | http://www.etsi.org/deliver/etsi_ts/135200_135299/135207/06.00.00_60/ |
| Release 7 | | | | | |
| CCSA | CCSA-TSD-DS-35.207 | 7.0.0 | Published | Jun 12 | http://www.ccsa.org.cn/english/tc/files.php?docpath=/ITU-R/M.1457/M.1457-12/DS |
| ETSI | ETSI TS 135 207 | 7.0.0 | Published | Jun 07 | http://www.etsi.org/deliver/etsi_ts/135200_135299/135207/07.00.00_60/ |
| Release 8 | | | | | |
| CCSA | CCSA-TSD-DS-35.207 | 8.0.0 | Published | Jun 12 | http://www.ccsa.org.cn/english/tc/files.php?docpath=/ITU-R/M.1457/M.1457-12/DS |
| ETSI | ETSI TS 135 207 | 8.0.0 | Published | Feb 09 | http://www.etsi.org/deliver/etsi_ts/135200_135299/135207/08.00.00_60/ |
| Release 9 | | | | | |
| CCSA | CCSA-TSD-DS-35.207 | 9.0.0 | Published | Jun 12 | http://www.ccsa.org.cn/english/tc/files.php?docpath=/ITU-R/M.1457/M.1457-12/DS |
| ETSI | ETSI TS 135 207 | 9.0.0 | Published | Feb 10 | http://www.etsi.org/deliver/etsi_ts/135200_135299/135207/09.00.00_60/ |
| Release 10 | | | | | |
| CCSA | CCSA-TSD-DS-35.207 | 10.0.0 | Published | Jun 12 | http://www.ccsa.org.cn/english/tc/files.php?docpath=/ITU-R/M.1457/M.1457-12/DS |
| ETSI | ETSI TS 135 207 | 10.0.0 | Published | Apr 11 | http://www.etsi.org/deliver/etsi_ts/135200_135299/135207/10.00.00_60/ |
| TTA | TTAT.3G-35.207(R10-10.0.0) | 10.0.0 | Approved | Aug 12 | http://www.tta.or.kr/data/ttasDown.jsp?where=14688&pk_num=TTAT.3G-35.207(R10-10.0.0) |

Release 11

| | | | | | |
|------|--------------------|--------|-----------|--------|---|
| CCSA | CCSA-TSD-DS-35.207 | 11.0.0 | Published | Jun 14 | http://www.ccsa.org.cn/english/tc/files.php?docpath=/ITU-R/M.1457/M.1457-12/DS |
| ETSI | ETSI TS 135 207 | 11.0.0 | Published | Nov 12 | http://www.etsi.org/deliver/etsi_ts/135200_135299/135207/11.00.00_60/ |

5.1.2.13.143 TS 35.208**3G Security; Specification of the MILENAGE algorithm set: An example algorithm set for the 3GPP authentication and key generation functions f1, f1*, f2, f3, f4, f5 and f5*; Document 4: Design conformance test data**

This document has been prepared by the 3GPP Task Force, and contains an example set of algorithms which may be used as the authentication and key generation functions f1, f1*, f2, f3, f4, f5 and f5*. (It is not mandatory that the particular algorithms specified in this document are used – all seven functions are operator-specifiable rather than being fully standardized.)

| SDO (2) | Document No. | Version | Status | Issued date | Location (1) |
|-------------------|----------------------------|---------|-----------|-------------|---|
| Release 4 | | | | | |
| CCSA | CCSA-TSD-DS-35.208 | 4.0.0 | Published | Jun 12 | http://www.ccsa.org.cn/english/tc/files.php?docpath=/ITU-R/M.1457/M.1457-12/DS |
| ETSI | ETSI TS 135 208 | 4.0.0 | Published | Jun 01 | http://www.etsi.org/deliver/etsi_ts/135200_135299/135208/04.00.00_60/ |
| Release 5 | | | | | |
| CCSA | CCSA-TSD-DS-35.208 | 5.0.0 | Published | Jun 12 | http://www.ccsa.org.cn/english/tc/files.php?docpath=/ITU-R/M.1457/M.1457-12/DS |
| ETSI | ETSI TS 135 208 | 5.0.0 | Published | Jun 02 | http://www.etsi.org/deliver/etsi_ts/135200_135299/135208/05.00.00_60/ |
| Release 6 | | | | | |
| CCSA | CCSA-TSD-DS-35.208 | 6.0.0 | Published | Jun 12 | http://www.ccsa.org.cn/english/tc/files.php?docpath=/ITU-R/M.1457/M.1457-12/DS |
| ETSI | ETSI TS 135 208 | 6.0.0 | Published | Jan 05 | http://www.etsi.org/deliver/etsi_ts/135200_135299/135208/06.00.00_60/ |
| Release 7 | | | | | |
| CCSA | CCSA-TSD-DS-35.208 | 7.0.0 | Published | Jun 12 | http://www.ccsa.org.cn/english/tc/files.php?docpath=/ITU-R/M.1457/M.1457-12/DS |
| ETSI | ETSI TS 135 208 | 7.0.0 | Published | Jun 07 | http://www.etsi.org/deliver/etsi_ts/135200_135299/135208/07.00.00_60/ |
| Release 8 | | | | | |
| CCSA | CCSA-TSD-DS-35.208 | 8.0.0 | Published | Jun 12 | http://www.ccsa.org.cn/english/tc/files.php?docpath=/ITU-R/M.1457/M.1457-12/DS |
| ETSI | ETSI TS 135 208 | 8.0.0 | Published | Feb 09 | http://www.etsi.org/deliver/etsi_ts/135200_135299/135208/08.00.00_60/ |
| Release 9 | | | | | |
| CCSA | CCSA-TSD-DS-35.208 | 9.0.0 | Published | Jun 12 | http://www.ccsa.org.cn/english/tc/files.php?docpath=/ITU-R/M.1457/M.1457-12/DS |
| ETSI | ETSI TS 135 208 | 9.0.0 | Published | Feb 10 | http://www.etsi.org/deliver/etsi_ts/135200_135299/135208/09.00.00_60/ |
| Release 10 | | | | | |
| CCSA | CCSA-TSD-DS-35.208 | 10.0.0 | Published | Jun 12 | http://www.ccsa.org.cn/english/tc/files.php?docpath=/ITU-R/M.1457/M.1457-12/DS |
| ETSI | ETSI TS 135 208 | 10.0.0 | Published | Apr 11 | http://www.etsi.org/deliver/etsi_ts/135200_135299/135208/10.00.00_60/ |
| TTA | TTAT.3G-35.208(R10-10.0.0) | 10.0.0 | Approved | Aug 12 | http://www.tta.or.kr/data/ttasDown.jsp?where=14688&pk_num=TTAT.3G-35.208(R10-10.0.0) |
| Release 11 | | | | | |
| CCSA | CCSA-TSD-DS-35.208 | 11.0.0 | Published | Jun 14 | http://www.ccsa.org.cn/english/tc/files.php?docpath=/ITU-R/M.1457/M.1457-12/DS |
| ETSI | ETSI TS 135 208 | 11.0.0 | Published | Nov 12 | http://www.etsi.org/deliver/etsi_ts/135200_135299/135208/11.00.00_60/ |

5.1.2.13.144 TS 35.215**Specification of the 3GPP Confidentiality and Integrity Algorithms UEA2 & UIA2; Document 1: UEA2 and UIA2 specifications**

This document specifies the 3GPP confidentiality and integrity algorithms known as UEA2 and UIA2.

| SDO (2) | Document No. | Version | Status | Issued date | Location (1) |
|-------------------|----------------------------|---------|-----------|-------------|---|
| Release 7 | | | | | |
| ARIB | ARIB STD-T63-35.215 | 7.0.0 | Approved | Jul 13 | http://www.arib.or.jp/english/html/overview/doc/STD-T63v10_00/2_T63/ARIB-STD-T63/Rel7/35/A35215-700.pdf |
| CCSA | CCSA-TSD-DS-35.215 | 7.0.0 | Published | Jun 12 | http://www.ccsa.org.cn/english/tc/files.php?docpath=/ITU-R/M.1457/M.1457-12/DS |
| ETSI | ETSI TS 135 215 | 7.0.0 | Published | Jul 07 | http://www.etsi.org/deliver/etsi_ts/135200_135299/135215/07.00.00_60/ |
| Release 8 | | | | | |
| ARIB | ARIB STD-T63-35.215 | 8.1.0 | Approved | Jul 13 | http://www.arib.or.jp/english/html/overview/doc/STD-T63v10_00/2_T63/ARIB-STD-T63/Rel8/35/A35215-810.pdf |
| CCSA | CCSA-TSD-DS-35.215 | 8.1.0 | Published | Jun 12 | http://www.ccsa.org.cn/english/tc/files.php?docpath=/ITU-R/M.1457/M.1457-12/DS |
| ETSI | ETSI TS 135 215 | 8.1.0 | Published | Apr 09 | http://www.etsi.org/deliver/etsi_ts/135200_135299/135215/08.01.00_60/ |
| Release 9 | | | | | |
| ARIB | ARIB STD-T63-35.215 | 9.0.0 | Approved | Jul 13 | http://www.arib.or.jp/english/html/overview/doc/STD-T63v10_00/2_T63/ARIB-STD-T63/Rel9/35/A35215-900.pdf |
| CCSA | CCSA-TSD-DS-35.215 | 9.0.0 | Published | Jun 12 | http://www.ccsa.org.cn/english/tc/files.php?docpath=/ITU-R/M.1457/M.1457-12/DS |
| ETSI | ETSI TS 135 215 | 9.0.0 | Published | Feb 10 | http://www.etsi.org/deliver/etsi_ts/135200_135299/135215/09.00.00_60/ |
| Release 10 | | | | | |
| ARIB | ARIB STD-T63-35.215 | 10.0.0 | Approved | Jul 13 | http://www.arib.or.jp/english/html/overview/doc/STD-T63v10_00/2_T63/ARIB-STD-T63/Rel10/35/A35215-a00.pdf |
| CCSA | CCSA-TSD-DS-35.215 | 10.0.0 | Published | Jun 12 | http://www.ccsa.org.cn/english/tc/files.php?docpath=/ITU-R/M.1457/M.1457-12/DS |
| ETSI | ETSI TS 135 215 | 10.0.0 | Published | Apr 11 | http://www.etsi.org/deliver/etsi_ts/135200_135299/135215/10.00.00_60/ |
| TTA | TTAT.3G-35.215(R10-10.0.0) | 10.0.0 | Approved | Apr 12 | http://www.tta.or.kr/data/ttasDown.jsp?where=14688&pk_num=TTAT.3G-35.215(R10-10.0.0) |
| Release 11 | | | | | |
| ARIB | ARIB STD-T63-35.215 | 11.0.0 | Approved | Jul 13 | http://www.arib.or.jp/english/html/overview/doc/STD-T63v10_00/2_T63/ARIB-STD-T63/Rel11/35/A35215-b00.pdf |
| CCSA | CCSA-TSD-DS-35.215 | 11.0.0 | Published | Jun 14 | http://www.ccsa.org.cn/english/tc/files.php?docpath=/ITU-R/M.1457/M.1457-12/DS |
| ETSI | ETSI TS 135 215 | 11.0.0 | Published | Nov 12 | http://www.etsi.org/deliver/etsi_ts/135200_135299/135215/11.00.00_60/ |
| TTA | TTAT.3G-35.215(R11-11.0.0) | 11.0.0 | published | Aug 13 | http://www.tta.or.kr/data/ttasDown.jsp?where=14688&pk_num=TTAT.3G-35.215(R11-11.0.0) |

5.1.2.13.145 TS 35.216**Specification of the 3GPP Confidentiality and Integrity Algorithms UEA2 & UIA2; Document 2: SNOW 3G specification**

This document specifies the 3GPP confidentiality and integrity algorithms known as UEA2 and UIA2.

| SDO (2) | Document No. | Version | Status | Issued date | Location (1) |
|------------------|---------------------|---------|-----------|-------------|---|
| Release 7 | | | | | |
| ARIB | ARIB STD-T63-35.216 | 7.0.0 | Approved | Jul 13 | http://www.arib.or.jp/english/html/overview/doc/STD-T63v10_00/2_T63/ARIB-STD-T63/Rel7/35/A35216-700.pdf |
| CCSA | CCSA-TSD-DS-35.216 | 7.0.0 | Published | Jun 12 | http://www.ccsa.org.cn/english/tc/files.php?docpath=/ITU-R/M.1457/M.1457-12/DS |
| ETSI | ETSI TS 135 216 | 7.0.0 | Published | Jul 07 | http://www.etsi.org/deliver/etsi_ts/135200_135299/135216/07.00.00_60/ |
| Release 8 | | | | | |
| ARIB | ARIB STD-T63-35.216 | 8.0.0 | Approved | Jul 13 | http://www.arib.or.jp/english/html/overview/doc/STD-T63v10_00/2_T63/ARIB-STD-T63/Rel8/35/A35216-800.pdf |
| CCSA | CCSA-TSD-DS-35.216 | 8.0.0 | Published | Jun 12 | http://www.ccsa.org.cn/english/tc/files.php?docpath=/ITU-R/M.1457/M.1457-12/DS |
| ETSI | ETSI TS 135 216 | 8.0.0 | Published | Feb 09 | http://www.etsi.org/deliver/etsi_ts/135200_135299/135216/08.00.00_60/ |

Release 9

| | | | | | |
|------|---------------------|-------|-----------|--------|---|
| ARIB | ARIB STD-T63-35.216 | 9.1.0 | Approved | Jul 13 | http://www.arib.or.jp/english/html/overview/doc/STD-T63v10_00/2_T63/ARIB-STD-T63/Rel9/35/A35216-910.pdf |
| CCSA | CCSA-TSD-DS-35.216 | 9.1.0 | Published | Jun 12 | http://www.ccsa.org.cn/english/tc/files.php?docpath=/ITU-R/M.1457/M.1457-12/DS |
| ETSI | ETSI TS 135 216 | 9.1.0 | Published | Jan 11 | http://www.etsi.org/deliver/etsi_ts/135200_135299/135216/09.01.00_60/ |

Release 10

| | | | | | |
|------|----------------------------|--------|-----------|--------|---|
| ARIB | ARIB STD-T63-35.216 | 10.0.0 | Approved | Jul 13 | http://www.arib.or.jp/english/html/overview/doc/STD-T63v10_00/2_T63/ARIB-STD-T63/Rel10/35/A35216-a00.pdf |
| CCSA | CCSA-TSD-DS-35.216 | 10.0.0 | Published | Jun 12 | http://www.ccsa.org.cn/english/tc/files.php?docpath=/ITU-R/M.1457/M.1457-12/DS |
| ETSI | ETSI TS 135 216 | 10.0.0 | Published | Apr 11 | http://www.etsi.org/deliver/etsi_ts/135200_135299/135216/10.00.00_60/ |
| TTA | TTAT.3G-35.216(R10-10.0.0) | 10.0.0 | Approved | Apr 12 | http://www.tta.or.kr/data/ttasDown.jsp?where=14688&pk_num=TTAT.3G-35.216(R10-10.0.0) |

Release 11

| | | | | | |
|------|----------------------------|--------|-----------|--------|---|
| ARIB | ARIB STD-T63-35.216 | 11.0.0 | Approved | Jul 13 | http://www.arib.or.jp/english/html/overview/doc/STD-T63v10_00/2_T63/ARIB-STD-T63/Rel11/35/A35216-b00.pdf |
| CCSA | CCSA-TSD-DS-35.216 | 11.0.0 | Published | Jun 14 | http://www.ccsa.org.cn/english/tc/files.php?docpath=/ITU-R/M.1457/M.1457-12/DS |
| ETSI | ETSI TS 135 216 | 11.0.0 | Published | Nov 12 | http://www.etsi.org/deliver/etsi_ts/135200_135299/135216/11.00.00_60/ |
| TTA | TTAT.3G-35.216(R11-11.0.0) | 11.0.0 | published | Aug 13 | http://www.tta.or.kr/data/ttasDown.jsp?where=14688&pk_num=TTAT.3G-35.216(R11-11.0.0) |

5.1.2.13.146 TS 35.217**Specification of the 3GPP Confidentiality and Integrity Algorithms UEA2 & UIA2; Document 3: Implementors' test data**

This document specifies the 3GPP confidentiality and integrity algorithms known as UEA2 and UIA2.

| SDO (2) | Document No. | Version | Status | Issued date | Location (1) |
|-------------------|----------------------------|---------|-----------|-------------|---|
| Release 7 | | | | | |
| ARIB | ARIB STD-T63-35.217 | 7.1.0 | Approved | Jul 13 | http://www.arib.or.jp/english/html/overview/doc/STD-T63v10_00/2_T63/ARIB-STD-T63/Rel7/35/A35217-710.pdf |
| CCSA | CCSA-TSD-DS-35.217 | 7.0.0 | Published | Jun 12 | http://www.ccsa.org.cn/english/tc/files.php?docpath=/ITU-R/M.1457/M.1457-12/DS |
| ETSI | ETSI TS 135 217 | 7.1.0 | Published | Feb 13 | http://www.etsi.org/deliver/etsi_ts/135200_135299/135217/07.01.00_60/ |
| Release 8 | | | | | |
| ARIB | ARIB STD-T63-35.217 | 8.1.0 | Approved | Jul 13 | http://www.arib.or.jp/english/html/overview/doc/STD-T63v10_00/2_T63/ARIB-STD-T63/Rel8/35/A35217-810.pdf |
| CCSA | CCSA-TSD-DS-35.217 | 8.0.0 | Published | Jun 12 | http://www.ccsa.org.cn/english/tc/files.php?docpath=/ITU-R/M.1457/M.1457-12/DS |
| ETSI | ETSI TS 135 217 | 8.1.0 | Published | Feb 13 | http://www.etsi.org/deliver/etsi_ts/135200_135299/135217/08.01.00_60/ |
| Release 9 | | | | | |
| ARIB | ARIB STD-T63-35.217 | 9.1.0 | Approved | Jul 13 | http://www.arib.or.jp/english/html/overview/doc/STD-T63v10_00/2_T63/ARIB-STD-T63/Rel9/35/A35217-910.pdf |
| CCSA | CCSA-TSD-DS-35.217 | 9.0.0 | Published | Jun 12 | http://www.ccsa.org.cn/english/tc/files.php?docpath=/ITU-R/M.1457/M.1457-12/DS |
| ETSI | ETSI TS 135 217 | 9.1.0 | Published | Feb 13 | http://www.etsi.org/deliver/etsi_ts/135200_135299/135217/09.01.00_60/ |
| Release 10 | | | | | |
| ARIB | ARIB STD-T63-35.217 | 10.1.0 | Approved | Jul 13 | http://www.arib.or.jp/english/html/overview/doc/STD-T63v10_00/2_T63/ARIB-STD-T63/Rel10/35/A35217-a10.pdf |
| CCSA | CCSA-TSD-DS-35.217 | 10.0.0 | Published | Jun 12 | http://www.ccsa.org.cn/english/tc/files.php?docpath=/ITU-R/M.1457/M.1457-12/DS |
| ETSI | ETSI TS 135 217 | 10.1.0 | Published | Feb 13 | http://www.etsi.org/deliver/etsi_ts/135200_135299/135217/10.01.00_60/ |
| TTA | TTAT.3G-35.217(R10-10.0.0) | 10.0.0 | Approved | Aug 12 | http://www.tta.or.kr/data/ttasDown.jsp?where=14688&pk_num=TTAT.3G-35.217(R10-10.0.0) |
| Release 11 | | | | | |
| ARIB | ARIB STD-T63-35.217 | 11.1.0 | Approved | Jul 13 | http://www.arib.or.jp/english/html/overview/doc/STD-T63v10_00/2_T63/ARIB-STD-T63/Rel11/35/A35217-b10.pdf |
| CCSA | CCSA-TSD-DS-35.217 | 11.1.0 | Published | Jun 14 | http://www.ccsa.org.cn/english/tc/files.php?docpath=/ITU-R/M.1457/M.1457-12/DS |
| ETSI | ETSI TS 135 217 | 11.1.0 | Published | Feb 13 | http://www.etsi.org/deliver/etsi_ts/135200_135299/135217/11.01.00_60/ |
| TTA | TTAT.3G-35.217(R11-11.1.0) | 11.1.0 | published | Aug 14 | http://www.tta.or.kr/data/ttasDown.jsp?where=14688&pk_num=TTAT.3G-22.912(R11-11.0.0) |

5.1.2.13.147 TS 35.218**Specification of the 3GPP Confidentiality and Integrity Algorithms UEA2 & UIA2; Document 4: Design conformance test data**

This document specifies the 3GPP confidentiality and integrity algorithms known as UEA2 and UIA2.

| SDO (2) | Document No. | Version | Status | Issued date | Location (1) |
|-------------------|----------------------------|---------|-----------|-------------|---|
| Release 7 | | | | | |
| ARIB | ARIB STD-T63-35.218 | 7.1.0 | Approved | Jul 13 | http://www.arib.or.jp/english/html/overview/doc/STD-T63v10_00/2_T63/ARIB-STD-T63/Rel7/35/A35218-710.pdf |
| CCSA | CCSA-TSD-DS-35.218 | 7.0.0 | Published | Jun 12 | http://www.ccsa.org.cn/english/tc/files.php?docpath=/ITU-R/M.1457/M.1457-12/DS |
| ETSI | ETSI TS 135 218 | 7.1.0 | Published | Feb 13 | http://www.etsi.org/deliver/etsi_ts/135200_135299/135218/07.01.00_60/ |
| Release 8 | | | | | |
| ARIB | ARIB STD-T63-35.218 | 8.1.0 | Approved | Jul 13 | http://www.arib.or.jp/english/html/overview/doc/STD-T63v10_00/2_T63/ARIB-STD-T63/Rel8/35/A35218-810.pdf |
| CCSA | CCSA-TSD-DS-35.218 | 8.0.0 | Published | Jun 12 | http://www.ccsa.org.cn/english/tc/files.php?docpath=/ITU-R/M.1457/M.1457-12/DS |
| ETSI | ETSI TS 135 218 | 8.1.0 | Published | Feb 13 | http://www.etsi.org/deliver/etsi_ts/135200_135299/135218/08.01.00_60/ |
| Release 9 | | | | | |
| ARIB | ARIB STD-T63-35.218 | 9.1.0 | Approved | Jul 13 | http://www.arib.or.jp/english/html/overview/doc/STD-T63v10_00/2_T63/ARIB-STD-T63/Rel9/35/A35218-910.pdf |
| CCSA | CCSA-TSD-DS-35.218 | 9.0.0 | Published | Jun 12 | http://www.ccsa.org.cn/english/tc/files.php?docpath=/ITU-R/M.1457/M.1457-12/DS |
| ETSI | ETSI TS 135 218 | 9.1.0 | Published | Feb 13 | http://www.etsi.org/deliver/etsi_ts/135200_135299/135218/09.01.00_60/ |
| Release 10 | | | | | |
| ARIB | ARIB STD-T63-35.218 | 10.1.0 | Approved | Jul 13 | http://www.arib.or.jp/english/html/overview/doc/STD-T63v10_00/2_T63/ARIB-STD-T63/Rel10/35/A35218-a10.pdf |
| CCSA | CCSA-TSD-DS-35.218 | 10.0.0 | Published | Jun 12 | http://www.ccsa.org.cn/english/tc/files.php?docpath=/ITU-R/M.1457/M.1457-12/DS |
| ETSI | ETSI TS 135 218 | 10.1.0 | Published | Feb 13 | http://www.etsi.org/deliver/etsi_ts/135200_135299/135218/10.01.00_60/ |
| TTA | TTAT.3G-35.218(R10-10.0.0) | 10.0.0 | Approved | Aug 12 | http://www.tta.or.kr/data/ttasDown.jsp?where=14688&pk_num=TTAT.3G-35.218(R10-10.0.0) |
| Release 11 | | | | | |
| ARIB | ARIB STD-T63-35.218 | 11.1.0 | Approved | Jul 13 | http://www.arib.or.jp/english/html/overview/doc/STD-T63v10_00/2_T63/ARIB-STD-T63/Rel11/35/A35218-b10.pdf |
| CCSA | CCSA-TSD-DS-35.218 | 11.1.0 | Published | Jun 14 | http://www.ccsa.org.cn/english/tc/files.php?docpath=/ITU-R/M.1457/M.1457-12/DS |
| ETSI | ETSI TS 135 218 | 11.1.0 | Published | Feb 13 | http://www.etsi.org/deliver/etsi_ts/135200_135299/135218/11.01.00_60/ |
| TTA | TTAT.3G-35.218(R11-11.1.0) | 11.1.0 | published | Aug 14 | http://www.tta.or.kr/data/ttasDown.jsp?where=14688&pk_num=TTAT.3G-22.934(R11-11.0.0) |

5.1.2.13.148 TR 35.909**3G Security; Specification of the MILENAGE algorithm set: an example algorithm set for the 3GPP authentication and key generation functions f1, f1*, f2, f3, f4, f5 and f5*; Document 5: Summary and results of design and evaluation**

This report contains a detailed summary of the work performed during the design and evaluation of the 3GPP Authentication Functions denoted as the MILENAGE algorithm set. It contains all results and findings from this work and should be read as a supplement to the specifications of the algorithms in ETSI/SAGE Specification of the MILENAGE Algorithm Set: an Example Algorithm Set for the 3GPP Authentication and Key generation Functions, f1, f1*, f2, f3, f4, f5 and f5*; Document 1: Algorithm Specification. and the general project report on the Design and Evaluation of the 3GPP Authentication and Key generation Functions.

| SDO (2) | Document No. | Version | Status | Issued date | Location (1) |
|------------------|--------------|---------|--------|-------------|--------------|
| Release 4 | | | | | |

| | | | | | |
|-------------------|----------------------------|--------|-----------|--------|---|
| CCSA | CCSA-TSD-DS-35.909 | 4.0.0 | Published | Jun 12 | http://www.ccsa.org.cn/english/tc/files.php?docpath=/ITU-R/M.1457/M.1457-12/DS |
| ETSI | ETSI TR 135 909 | 4.0.0 | Published | May 01 | http://www.etsi.org/deliver/etsi_tr/135900_135999/135909/04.00.00_60/ |
| Release 5 | | | | | |
| CCSA | CCSA-TSD-DS-35.909 | 5.0.0 | Published | Jun 12 | http://www.ccsa.org.cn/english/tc/files.php?docpath=/ITU-R/M.1457/M.1457-12/DS |
| ETSI | ETSI TR 135 909 | 5.0.0 | Published | Jun 02 | http://www.etsi.org/deliver/etsi_tr/135900_135999/135909/05.00.00_60/ |
| Release 6 | | | | | |
| CCSA | CCSA-TSD-DS-35.909 | 6.0.0 | Published | Jun 12 | http://www.ccsa.org.cn/english/tc/files.php?docpath=/ITU-R/M.1457/M.1457-12/DS |
| ETSI | ETSI TR 135 909 | 6.0.0 | Published | Jan 05 | http://www.etsi.org/deliver/etsi_tr/135900_135999/135909/06.00.00_60/ |
| Release 7 | | | | | |
| CCSA | CCSA-TSD-DS-35.909 | 7.0.0 | Published | Jun 12 | http://www.ccsa.org.cn/english/tc/files.php?docpath=/ITU-R/M.1457/M.1457-12/DS |
| ETSI | ETSI TR 135 909 | 7.0.0 | Published | Jun 07 | http://www.etsi.org/deliver/etsi_tr/135900_135999/135909/07.00.00_60/ |
| Release 8 | | | | | |
| CCSA | CCSA-TSD-DS-35.909 | 8.0.0 | Published | Jun 12 | http://www.ccsa.org.cn/english/tc/files.php?docpath=/ITU-R/M.1457/M.1457-12/DS |
| ETSI | ETSI TR 135 909 | 8.0.0 | Published | Feb 09 | http://www.etsi.org/deliver/etsi_tr/135900_135999/135909/08.00.00_60/ |
| Release 9 | | | | | |
| CCSA | CCSA-TSD-DS-35.909 | 9.0.0 | Published | Jun 12 | http://www.ccsa.org.cn/english/tc/files.php?docpath=/ITU-R/M.1457/M.1457-12/DS |
| ETSI | ETSI TR 135 909 | 9.0.0 | Published | Feb 10 | http://www.etsi.org/deliver/etsi_tr/135900_135999/135909/09.00.00_60/ |
| Release 10 | | | | | |
| CCSA | CCSA-TSD-DS-35.909 | 10.0.0 | Published | Jun 12 | http://www.ccsa.org.cn/english/tc/files.php?docpath=/ITU-R/M.1457/M.1457-12/DS |
| ETSI | ETSI TR 135 909 | 10.0.0 | Published | Apr 11 | http://www.etsi.org/deliver/etsi_tr/135900_135999/135909/10.00.00_60/ |
| TTA | TTAT.3G-35.909(R10-10.0.0) | 10.0.0 | Approved | Apr 12 | http://www.tta.or.kr/data/ttasDown.jsp?where=14688&pk_num=TTAT.3G-35.909(R10-10.0.0) |
| Release 11 | | | | | |
| CCSA | CCSA-TSD-DS-35.909 | 11.0.0 | Published | Jun 14 | http://www.ccsa.org.cn/english/tc/files.php?docpath=/ITU-R/M.1457/M.1457-12/DS |
| ETSI | ETSI TR 135 909 | 11.0.0 | Published | Nov 12 | http://www.etsi.org/deliver/etsi_tr/135900_135999/135909/11.00.00_60/ |
| TTA | TTAT.3G-35.909(R11-11.0.0) | 11.0.0 | published | Aug 13 | http://www.tta.or.kr/data/ttasDown.jsp?where=14688&pk_num=TTAT.3G-35.909(R11-11.0.0) |

5.1.2.13.149 TR 35.919

Specification of the 3GPP Confidentiality and Integrity Algorithms UEA2 & UIA2; Document 5: Design and evaluation report

This document specifies the 3GPP confidentiality and integrity algorithms known as UEA2 and UIA2.

| SDO (2) | Document No. | Version | Status | Issued date | Location (1) |
|------------------|--------------------|---------|-----------|-------------|---|
| Release 7 | | | | | |
| ARIB | ARIB TR-T12-35919 | 7.0.0 | Approved | Jul 13 | http://www.arib.or.jp/english/html/overview/doc/STD-T63v10_00/3_T12/ARIB-TR-T12/Rel7/35/A35919-700.pdf |
| CCSA | CCSA-TSD-DS-35.919 | 7.0.0 | Published | Jun 12 | http://www.ccsa.org.cn/english/tc/files.php?docpath=/ITU-R/M.1457/M.1457-12/DS |
| ETSI | ETSI TR 135 919 | 7.0.0 | Published | Jul 07 | http://www.etsi.org/deliver/etsi_tr/135900_135999/135919/07.00.00_60/ |
| Release 8 | | | | | |
| CCSA | CCSA-TSD-DS-35.919 | 8.0.0 | Published | Jun 12 | http://www.ccsa.org.cn/english/tc/files.php?docpath=/ITU-R/M.1457/M.1457-12/DS |
| ETSI | ETSI TR 135 919 | 8.0.0 | Published | Feb 09 | http://www.etsi.org/deliver/etsi_tr/135900_135999/135919/08.00.00_60/ |
| Release 9 | | | | | |
| ARIB | ARIB TR-T12-35.919 | 9.1.0 | Approved | Jul 13 | http://www.arib.or.jp/english/html/overview/doc/STD-T63v10_00/3_T12/ARIB-TR-T12/Rel9/35/A35919-910.pdf |

| | | | | | |
|-------------------|----------------------------|--------|-----------|--------|---|
| CCSA | CCSA-TSD-DS-35.919 | 9.1.0 | Published | Jun 12 | http://www.ccsa.org.cn/english/tc/files.php?docpath=/ITU-R/M.1457/M.1457-12/DS |
| ETSI | ETSI TR 135 919 | 9.1.0 | Published | Jan 11 | http://www.etsi.org/deliver/etsi_tr/135900_135999/135919/09.01.00_60/ |
| Release 10 | | | | | |
| ARIB | ARIB TR-T12-35.919 | 10.0.0 | Approved | Jul 13 | http://www.arib.or.jp/english/html/overview/doc/STD-T63v10_00/3_T12/ARIB-TR-T12/Rel10/35/A35919-a00.pdf |
| CCSA | CCSA-TSD-DS-35.919 | 10.0.0 | Published | Jun 12 | http://www.ccsa.org.cn/english/tc/files.php?docpath=/ITU-R/M.1457/M.1457-12/DS |
| ETSI | ETSI TR 135 919 | 10.0.0 | Published | Apr 11 | http://www.etsi.org/deliver/etsi_tr/135900_135999/135919/10.00.00_60/ |
| TTA | TTAT.3G-35.919(R10-10.0.0) | 10.0.0 | Approved | Apr 12 | http://www.tta.or.kr/data/ttasDown.jsp?where=14688&pk_num=TTAT.3G-35.919(R10-10.0.0) |
| Release 11 | | | | | |
| ARIB | ARIB TR-T12-35.919 | 11.0.0 | Approved | Jul 13 | http://www.arib.or.jp/english/html/overview/doc/STD-T63v10_00/3_T12/ARIB-TR-T12/Rel11/35/A35919-b00.pdf |
| CCSA | CCSA-TSD-DS-35.919 | 11.0.0 | Published | Jun 14 | http://www.ccsa.org.cn/english/tc/files.php?docpath=/ITU-R/M.1457/M.1457-12/DS |
| ETSI | ETSI TR 135 919 | 11.0.0 | Published | Nov 12 | http://www.etsi.org/deliver/etsi_tr/135900_135999/135919/11.00.00_60/ |
| TTA | TTAT.3G-35.919(R11-11.0.0) | 11.0.0 | published | Aug 13 | http://www.tta.or.kr/data/ttasDown.jsp?where=14688&pk_num=TTAT.3G-35.919(R11-11.0.0) |

5.1.2.14 Vocabulary

5.1.2.14.1 TR 21.905

Vocabulary for 3GPP Specifications

Document 21.905 is a collection of terms, definitions and abbreviations related to the baseline documents defining the objectives and systems framework. This document provides a tool for further work on the technical documentation and facilitates their understanding.

| SDO (2) | Document No. | Version | Status | Issued date | Location (1) |
|-------------------|----------------------------|---------|-----------|-------------|---|
| Release 99 | | | | | |
| ARIB | ARIB TR-T12-21.905 | 3.3.0 | Approved | Jul 13 | http://www.arib.or.jp/english/html/overview/doc/STD-T63v10_00/3_T12/ARIB-TR-T12/R99/21/A21905-330.pdf |
| ATIS | T1.3GPP.21.905V330-2002 | 3.3.0 | Approved | May 02 | https://www.atis.org/docstore/default.aspx |
| CCSA | CCSA-TSD-DS-21.905 | 3.3.0 | Published | Oct 01 | http://www.ccsa.org.cn/english/tc/files.php?docpath=/ITU-R/M.1457/M.1457-12/DS |
| ETSI | ETSI TR 121 905 | 3.3.0 | Published | Oct 01 | http://www.etsi.org/deliver/etsi_tr/121900_121999/121905/03.03.00_60/ |
| TTA | TTAE.3G-21.905(R99-3.3.0) | 3.3.0 | Approved | May 02 | http://www.tta.or.kr/data/ttasDown.jsp?where=14688&pk_num=TTAE.3G-21.905(R99-3.3.0) |
| TTC | TR-3GA-21.905(R99)v3.3.0 | 3.3.0 | Approved | Nov 01 | http://www.ttc.or.jp/j/document_list/free/TR/TR-3GA-21.905(R99)v3.3.0.pdf |
| Release 4 | | | | | |
| ARIB | ARIB TR-T12-21.905 | 4.5.0 | Approved | Jul 13 | http://www.arib.or.jp/english/html/overview/doc/STD-T63v10_00/3_T12/ARIB-TR-T12/Rel4/21/A21905-450.pdf |
| ATIS | T1.3GPP.21.905V450-2004 | 4.5.0 | Approved | May 04 | https://www.atis.org/docstore/default.aspx |
| CCSA | CCSA-TSD-DS-21.905 | 4.5.0 | Published | Jul 03 | http://www.ccsa.org.cn/english/tc/files.php?docpath=/ITU-R/M.1457/M.1457-12/DS |
| ETSI | ETSI TR 121 905 | 4.5.0 | Published | Jul 03 | http://www.etsi.org/deliver/etsi_tr/121900_121999/121905/04.05.00_60/ |
| TTA | TTAT.3G-21.905(R4-4.5.0) | 4.5.0 | Approved | May 04 | http://www.tta.or.kr/data/ttasDown.jsp?where=14688&pk_num=TTAT.3G-21.905(R4-4.5.0) |
| TTC | TR-3GA-21.905(Rel4)v4.5.0 | 4.5.0 | Approved | Aug 03 | http://www.ttc.or.jp/j/document_list/free/TR/TR-3GA-21.905(Rel4)v4.5.0.pdf |
| Release 5 | | | | | |
| ARIB | ARIB TR-T12-21.905 | 5.10.0 | Approved | Jul 13 | http://www.arib.or.jp/english/html/overview/doc/STD-T63v10_00/3_T12/ARIB-TR-T12/Rel5/21/A21905-5a0.pdf |
| ATIS | ATIS.3GPP.21.905V5100-2006 | 5.10.0 | Approved | Apr 06 | https://www.atis.org/docstore/default.aspx |
| CCSA | CCSA-TSD-DS-21.905 | 5.10.0 | Published | Oct 05 | http://www.ccsa.org.cn/english/tc/files.php?docpath=/ITU-R/M.1457/M.1457-12/DS |
| ETSI | ETSI TR 121 905 | 5.10.0 | Published | Oct 05 | http://www.etsi.org/deliver/etsi_tr/121900_121999/121905/05.10.00_60/ |
| TTA | TTAT.3G-21.905(R5-5.10.0) | 5.10.0 | Approved | Apr 06 | http://www.tta.or.kr/data/ttasDown.jsp?where=14688&pk_num=TTAT.3G-21.905(R5-5.10.0) |
| TTC | TR-3GA-21.905(Rel5)v5.10.0 | 5.10.0 | Approved | Nov 05 | http://www.ttc.or.jp/j/document_list/free/TR/TR-3GA-21.905(Rel5)v5.10.0.pdf |

Release 6

| | | | | | |
|------|----------------------------|--------|-----------|--------|---|
| ARIB | ARIB TR-T12-21.905 | 6.10.0 | Approved | Jul 13 | http://www.arib.or.jp/english/html/overview/doc/STD-T63v10_00/3_T12/ARIB-TR-T12/Rel6/21/A21905-6a0.pdf |
| ATIS | ATIS.3GPP.21.905V6100-2006 | 6.10.0 | Approved | Apr 06 | https://www.atis.org/docstore/default.aspx |
| CCSA | CCSA-TSD-DS-21.905 | 6.10.0 | Published | Oct 05 | http://www.ccsa.org.cn/english/tc/files.php?docpath=/ITU-R/M.1457/M.1457-12/DS |
| ETSI | ETSI TR 121 905 | 6.10.0 | Published | Oct 05 | http://www.etsi.org/deliver/etsi_tr/121900_121999/121905/06.10.00_60/ |
| TTA | TTAT.3G-21.905(R6-6.10.0) | 6.10.0 | Approved | Apr 06 | http://www.tta.or.kr/data/ttasDown.jsp?where=14688&pk_num=TTAT.3G-21.905(R6-6.10.0) |
| TTC | TR-3GA-21.905(Rel6)v6.10.0 | 6.10.0 | Approved | Nov 05 | http://www.ttc.or.jp/j/document_list/free/TR/TR-3GA-21.905(Rel6)v6.10.0.pdf |

Release 7

| | | | | | |
|------|---------------------------|-------|-----------|--------|---|
| ARIB | ARIB TR-T12-21.905 | 7.4.0 | Approved | Jul 13 | http://www.arib.or.jp/english/html/overview/doc/STD-T63v10_00/3_T12/ARIB-TR-T12/Rel7/21/A21905-740.pdf |
| ATIS | ATIS.3GPP.21.905V740-2007 | 7.4.0 | Approved | Oct 07 | https://www.atis.org/docstore/default.aspx |
| CCSA | CCSA-TSD-DS-21.905 | 7.4.0 | Published | Jul 07 | http://www.ccsa.org.cn/english/tc/files.php?docpath=/ITU-R/M.1457/M.1457-12/DS |
| ETSI | ETSI TR 121 905 | 7.4.0 | Published | Jul 07 | http://www.etsi.org/deliver/etsi_tr/121900_121999/121905/07.04.00_60/ |
| TTA | TTAT.3G-21.905(R7-7.4.0) | 7.4.0 | Approved | Dec 07 | http://www.tta.or.kr/data/ttasDown.jsp?where=14688&pk_num=TTAT.3G-21.905(R7-7.4.0) |
| TTC | TR-3GA-21.905(Rel7)v7.4.0 | 7.4.0 | Approved | Mar 08 | http://www.ttc.or.jp/j/document_list/free/TR/TR-3GA-21.905(Rel7)v7.4.0.pdf |

Release 8

| | | | | | |
|------|---------------------------|-------|-----------|--------|---|
| ARIB | ARIB TR-T12-21.905 | 8.8.0 | Approved | Jul 13 | http://www.arib.or.jp/english/html/overview/doc/STD-T63v10_00/3_T12/ARIB-TR-T12/Rel8/21/A21905-880.pdf |
| ATIS | ATIS.3GPP.21.905V880-2009 | 8.8.0 | Approved | Jul 09 | https://www.atis.org/docstore/default.aspx |
| CCSA | CCSA-TSD-DS-21.905 | 8.8.0 | Published | Apr 09 | http://www.ccsa.org.cn/english/tc/files.php?docpath=/ITU-R/M.1457/M.1457-12/DS |
| ETSI | ETSI TR 121 905 | 8.8.0 | Published | Apr 09 | http://www.etsi.org/deliver/etsi_tr/121900_121999/121905/08.08.00_60/ |
| TTA | TTAT.3G-21.905(R8-8.8.0) | 8.8.0 | Approved | Jul 09 | http://www.tta.or.kr/data/ttasDown.jsp?where=14688&pk_num=TTAT.3G-21.905(R8-8.8.0) |
| TTC | TR-3GA-21.905(Rel8)v8.8.0 | 8.8.0 | Approved | Jul 09 | http://www.ttc.or.jp/j/document_list/free/3gpps2009/TR/TR-3GA-21.905(Rel8)v8.8.0.pdf |

Release 9

| | | | | | |
|------|---------------------------|-------|-----------|--------|---|
| ARIB | ARIB TR-T12-21.905 | 9.4.0 | Approved | Jul 13 | http://www.arib.or.jp/english/html/overview/doc/STD-T63v10_00/3_T12/ARIB-TR-T12/Rel9/21/A21905-940.pdf |
| ATIS | ATIS.3GPP.21.905V940-2010 | 9.4.0 | Approved | Jul 10 | https://www.atis.org/docstore/default.aspx |
| CCSA | CCSA-TSD-DS-21.905 | 9.4.0 | Published | Mar 10 | http://www.ccsa.org.cn/english/tc/files.php?docpath=/ITU-R/M.1457/M.1457-12/DS |
| ETSI | ETSI TR 121 905 | 9.4.0 | Published | Jan 10 | http://www.etsi.org/deliver/etsi_tr/121900_121999/121905/09.04.00_60/ |
| TTA | TTAT.3G-21.905(R9-9.4.0) | 9.4.0 | Approved | Jul 10 | http://www.tta.or.kr/data/ttasDown.jsp?where=14688&pk_num=TTAT.3G-21.905(R9-9.4.0) |
| TTC | TR-3GA-21.905(Rel9)v9.4.0 | 9.4.0 | Approved | Jul 10 | http://www.ttc.or.jp/j/document_list/free/3gpps2010/TR/TR-3GA-21.905(Rel9)v9.4.0.pdf |

Release 10

| | | | | | |
|------|-----------------------------|--------|-----------|--------|---|
| ARIB | ARIB TR-T12-21.905 | 10.3.0 | Approved | Jul 13 | http://www.arib.or.jp/english/html/overview/doc/STD-T63v10_00/3_T12/ARIB-TR-T12/Rel10/21/A21905-a30.pdf |
| ATIS | ATIS.3GPP.21.905V1030-2012 | 10.3.0 | Approved | Jul 12 | https://www.atis.org/docstore/default.aspx |
| CCSA | CCSA-TSD-DS-21.905 | 10.3.0 | Published | Jun 12 | http://www.ccsa.org.cn/english/tc/files.php?docpath=/ITU-R/M.1457/M.1457-12/DS |
| ETSI | ETSI TR 121 905 | 10.3.0 | Published | Mar 11 | http://www.etsi.org/deliver/etsi_tr/121900_121999/121905/10.03.00_60/ |
| TTA | TTAT.3G-21.905(R10-10.3.0) | 10.3.0 | Approved | Apr 12 | http://www.tta.or.kr/data/ttasDown.jsp?where=14688&pk_num=TTAT.3G-21.905(R10-10.3.0) |
| TTC | TR-3GA-21.905(Rel10)v10.3.0 | 10.3.0 | Approved | Jun 11 | http://www.ttc.or.jp/j/document_list/free/3gpps2011/TR/TR-3GA-21.905(Rel10)v10.3.0.pdf |

Release 11

| | | | | | |
|------|-----------------------------|--------|-----------|--------|---|
| ARIB | ARIB TR-T12-21.905 | 11.3.0 | Approved | Jul 13 | http://www.arib.or.jp/english/html/overview/doc/STD-T63v10_00/3_T12/ARIB-TR-T12/Rel11/21/A21905-b30.pdf |
| ATIS | ATIS.3GPP.21.905V1130-2014 | 11.3.0 | Approved | May 14 | https://www.atis.org/docstore/default.aspx |
| CCSA | CCSA-TSD-DS-21.905 | 11.3.0 | Published | Jun 14 | http://www.ccsa.org.cn/english/tc/files.php?docpath=/ITU-R/M.1457/M.1457-12/DS |
| ETSI | ETSI TR 121 905 | 11.3.0 | Published | Jan 13 | http://www.etsi.org/deliver/etsi_tr/121900_121999/121905/11.03.00_60/ |
| TTA | TTAT.3G-21.905(R11-11.3.0) | 11.3.0 | published | Aug 13 | http://www.tta.or.kr/data/ttasDown.jsp?where=14688&pk_num=TTAT.3G-21.905(R11-11.3.0) |
| TTC | TR-3GA-21.905(Rel11)v11.3.0 | 11.3.0 | Approved | Jun 13 | http://www.ttc.or.jp/j/document_list/free/3gpps2013/TR/TR-3GA-21.905(Rel11)v11.3.0.pdf |

5.2 IMT-2000 CDMA Multi-Carrier

5.2.1 Overview of the set of radio interface FDD/TDD components

5.2.1.1 FDD Component

5.2.1.1.1 Introduction

The IMT-2000 radio interface specifications for CDMA multi-carrier (MC) technology are developed by a partnership of SDOs (see Note 1). This radio interface is called cdma2000.

NOTE 1 – Currently, these specifications are developed within the Third Generation Partnership Project 2 (3GPP2), where the participating SDOs are ARIB, CCSA, TTA and TTC.

In the development of this radio interface the CN specifications are based on an evolved ANSI-41 and IP network, but the specifications include the necessary capabilities for operation with an evolved GSM-MAP-based CN, a CN based on IETF protocols, or the 3GPP Evolved Packet Core (EPC).

This radio interface is a wideband spread spectrum radio interface that utilizes CDMA technology in order to meet the needs of the 3G wireless communication systems and to meet the requirements for the 3G evolution of the 2G TIA/EIA-95-B family of standards.

As shown in Fig. 20, this radio interface has a layered structure that provides a combination of voice, packet data, and circuit data services, according to the ISO/OSI reference model (i.e., Layer 1 – the physical layer, and Layer 2 – the link layer). Layer 2 is further subdivided into the link access control (LAC) sub-layer and the MAC sub-layer. Applications and upper layer protocols corresponding to OSI Layers 3 through 7 utilize the services provided by the LAC services, e.g., signalling services, voice services, data services (packet data and circuit data).

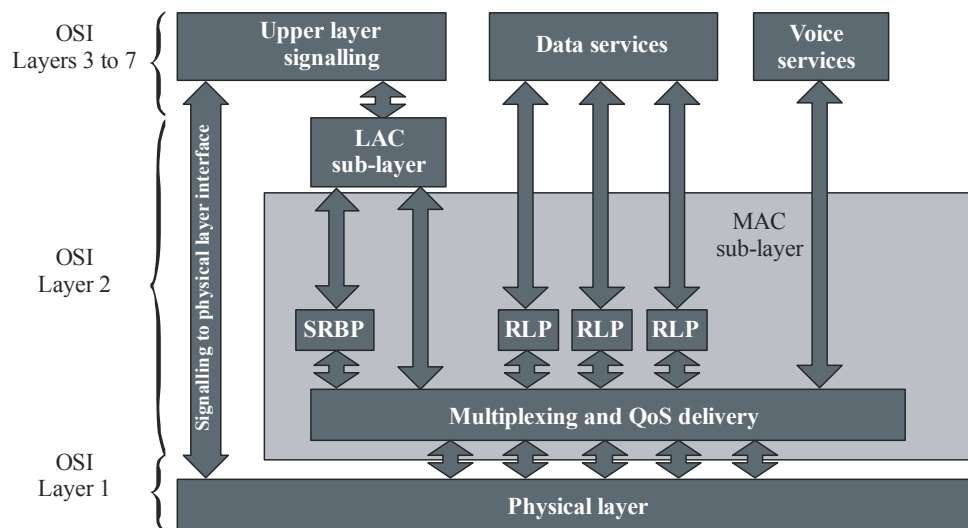
In this radio interface a generalized multimedia service model is supported. This allows any combination of voice, packet data, and circuit data services to be operated. The radio interface also includes a QoS control mechanism to balance the varying QoS requirements of multiple concurrent services (e.g., to support ISDN or RSVP network layer QoS capabilities).

The physical layer supports RF channel bandwidths of $N \times 1.25$ MHz, where N is the spreading rate number. The data rates, channel encoding, and modulation parameters supported on the traffic channels are specified by radio configurations. For Spreading rates 1 and 3, there are seven radio configurations for the reverse link and there are ten radio configurations for the forward link. Collectively, these radio configurations form the radio interface, which consists of the 1X and 3X components. Spreading rate 1 corresponds to 1X. Spreading rate 3 corresponds to 3X. Radio configurations 1 and 2 are specified to be backward compatible with TIA/EIA-95-B systems. The radio interface also supports a class of operational band plans as specified in the C.S0057 standard.

This family of standards supports multi-carrier systems in contiguous and non-contiguous operation with two or more carriers each with bandwidths of up to 20 MHz.

FIGURE 18

General radio interface architecture



M.1457-18

This specification includes a flexible and efficient MAC sub-layer that supports multiple data service state machine instances, one for each active packet or circuit data service instance. Along with the multiplexing QoS control entity, the MAC realizes the complex multimedia, multi-service capabilities of 3G wireless systems with QoS management capabilities for each active service.

This specification also introduces a LAC sub-layer to provide reliable transmission over the air for signalling services. To provide flexible voice services, this radio interface provides the framework and the services to transport encoded voice data in the form of packet data or circuit data traffic, as well as in a manner that is backward compatible with the TIA/EIA-95-B family of standards (i.e., the encoded voice data is transported directly by the physical layer). In the latter case, the LAC and MAC services are null. The LAC sub-layer provides an ARQ (retransmission) protocol.

5.2.1.1.2 Physical layer

5.2.1.1.2.1 Reverse link (uplink)

5.2.1.1.2.1.1 cdma2000

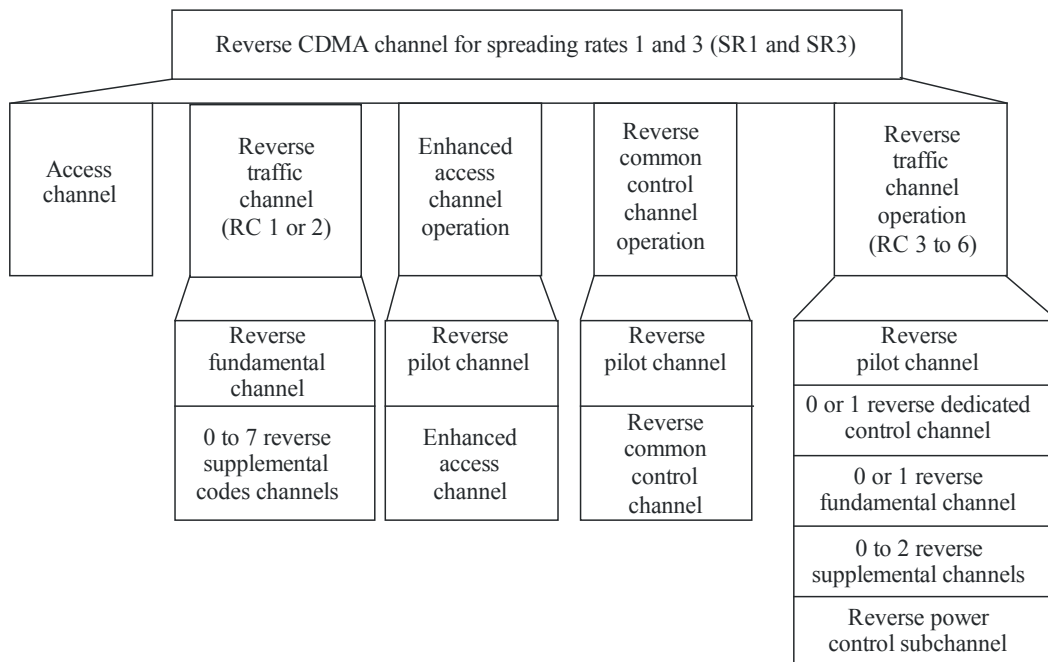
cdma2000 Spreading Rate 1(1x) and Spreading Rate 3(3x) systems provide a combination of voice, packet data, and circuit data services.

5.2.1.1.2.1.1.1 cdma2000 Revisions 0, A, and B

Figure 19 shows the reverse CDMA Channels received at the BS. The reverse pilot channel is an unmodulated spread spectrum signal used to assist the BS in detecting the mobile station transmission. The mobile station also inserts a reverse power control subchannel in the reverse pilot channel. The reverse power control subchannel is used to transmit forward power control commands. The access channel is used by the mobile station to initiate communication with the BS and to respond to paging channel messages. The enhanced access channel is used by the mobile station to initiate communication with the BS or to respond to a mobile station directed message. The reverse common control channel is used for the transmission of user and signalling information to the BS when reverse traffic channels are not in use. The reverse traffic channels with radio configurations 1 and 2 include

the reverse fundamental channel and reverse supplemental code channel. The reverse traffic channels with radio configurations 3 through 6 include the reverse dedicated control channel, reverse fundamental channel, and reverse supplemental channel. The reverse dedicated control channel and reverse fundamental channel are used for the transmission of user and signalling information to the BS during a call. The reverse supplemental channel and reverse supplemental code channel are used for the transmission of user information to the BS during a call.

FIGURE 19
Reverse CDMA channels received at the Base Station

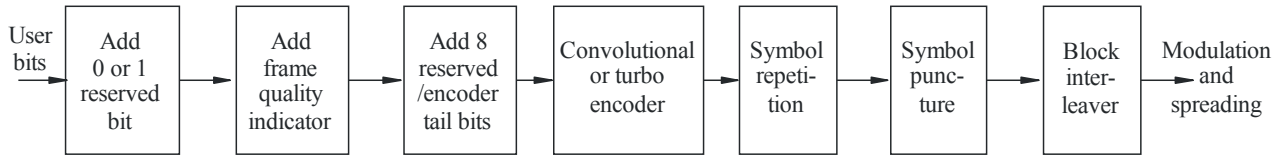


M.1457-19

Figure 20 shows the reverse channel structure (except the pilot channel). Channel encoded symbols are repeated and punctured to match a nominal value of data rate. Block interleaving is used on the access channel, the enhanced access channel, the reverse common control channel, and the reverse traffic channels. The channel encoded and interleaved symbols are modulated and are direct spread prior to transmission. The spreading chip rate is $N \times 1.2288$ Mchip/s (N is the spreading rate number described above). Figure 21 shows the uplink spreading and the modulation operation for radio configurations 3 through 6.

FIGURE 20

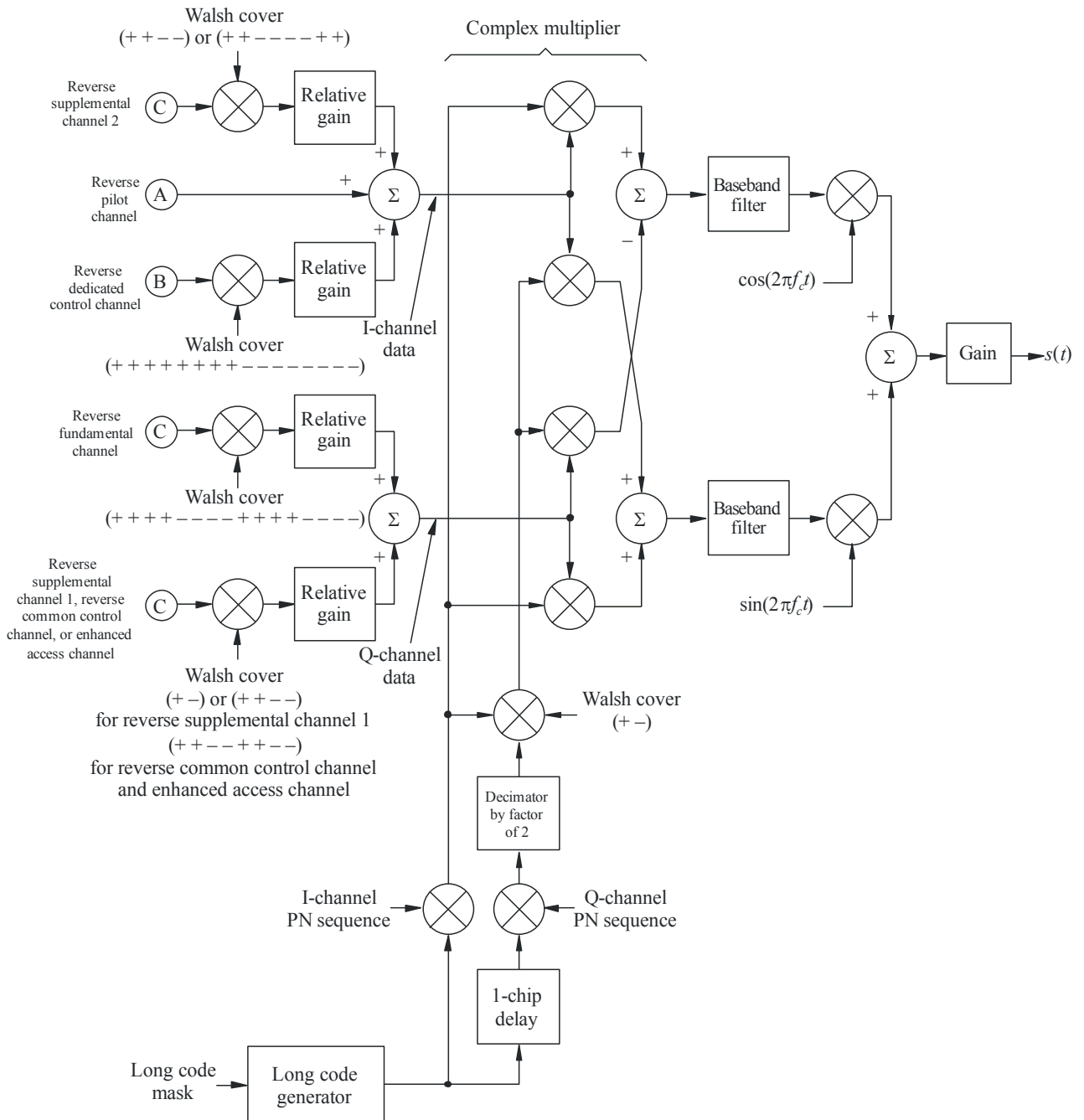
Reverse channels structure (except the pilot channel)



M.1457-20

FIGURE 21

Uplink spreading and modulation for radio configurations 3 and above



M.1457-21

The mobile station supports three types of forward link power control based upon: 800 Hz feedback; the erasure indicator bits (EIB); and the quality indicator bits (QIB). The feedback is on the reverse power control subchannel. For the 800 Hz feedback mode, the outer loop estimates the setpoint value based on E_b/N_t to achieve the target FER on each assigned forward traffic channel. The inner loop compares the E_b/N_t of the received forward traffic channel with the corresponding outer loop setpoint to determine the value of the power control bit to be sent on the reverse power control subchannel every 1.25 ms.

Uplink soft handoff is achieved by performing diversity or selection combining at the BS.

5.2.1.1.2.1.1.2 cdma2000 Revisions C and D

cdma2000 Revisions C and D systems, also known as 1x Evolution-Data and Voice (1xEV-DV), include enhanced features allowing for high-speed packet data transmission, higher spectral efficiency, and simultaneous high-speed packet data and real-time services, such as voice, on a single 1.25 MHz RF carrier. The high data rates are achieved with the support of key features, such as short frames, adaptive modulation and coding, higher-order modulation, fast scheduling/rate control, and hybrid ARQ (Automatic Repeat Request). The reverse link of the cdma2000 Revision D system was enhanced to provide peak rates up to 1.8 Mbit/s.

5.2.1.1.2.1.1.3 cdma2000 Revision E

The cdma2000 Revision E system, by introducing techniques such as an enhanced vocoder, virtual ARQ, and reverse link pilot gating, significantly increases the voice capacity, improves data performance and increases coverage.

5.2.1.1.2.1.1.4 cdma2000 Revision F

The cdma2000 Revision F system, by introducing techniques such as improved access channel and reduced overhead signaling, significantly increases the capacity for machine to machine type traffic, and increases coverage.

5.2.1.1.2.1.2 High Rate Packet Data (HRPD) Access

The High Rate Packet Data Access system, also known as Evolution Data Optimized (EV-DO), provides full QoS and efficient support for a wide variety of applications, backward compatible multi-carrier support, broadcast/multicast, flexible duplex and hybrid frequency reuse.

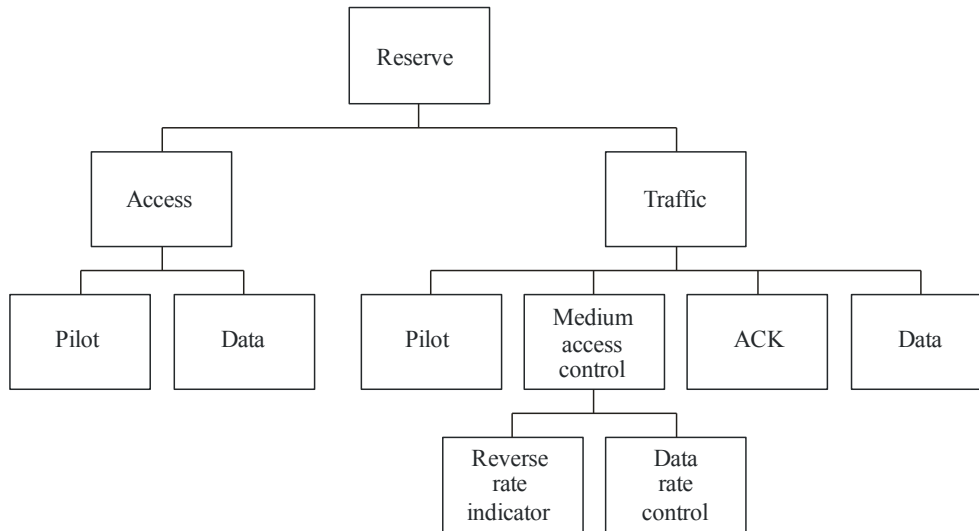
5.2.1.1.2.1.2.1 High Rate Packet Data Revisions 0 and A

The HRPD Revisions 0 and A systems deploy a Reverse CDMA Channel on a dedicated 1X RF Channel. This Reverse CDMA Channel consists of the Access Channel and the Reverse Traffic Channel as shown in Fig. 23a. The Access Channel is used by the access terminal to initiate communication with the access network or to respond to an access terminal directed message. The Access Channel consists of a Pilot Channel and a Data Channel. The Reverse Traffic Channel is used by the mobile station to transmit user-specific traffic or signalling information to the access network. The Reverse Traffic Channel comprises a Pilot Channel, a Reverse Rate Indicator (RRI) Channel, a Data Rate Control (DRC) Channel, an Acknowledgement (ACK) Channel, and a Data Channel. The RRI Channel is used to indicate the data rate transmitted on the Reverse Traffic Channel. The RRI Channel is time-multiplexed with the Pilot Channel. The DRC Channel is used by the mobile station to indicate to the access network the supportable Forward Traffic Channel data rate and the best serving sector on the Forward CDMA Channel. The ACK Channel is used by the access terminal to inform the access network whether or not the data packet transmitted on the Forward Traffic Channel has been received successfully.

For HRPD Revision A systems, physical layer H-ARQ (Hybrid Automatic Repeat Request), shorter frame sizes, fast scheduling/rate-control, and adaptive modulation and coding are included to increase the peak data rate and system throughput of the reverse link.

FIGURE 21a

Reverse CDMA channel for high rate packet data access



1457-21a

5.2.1.1.2.1.2.2 High Rate Packet Data Revision B

The High Rate Packet Data Revision B system specifies a multi-carrier system with a bandwidth of up to 20 MHz. Each carrier is 1.25 MHz wide and terminals may support one or more carriers. Non-contiguous CDMA carrier operation is also supported. Revision B is compatible with Revision A systems, and Release 0 and Revision A terminals can operate on Revision B networks. A peak terminal transmit data rate of 27.6 Mbit/s is supported in a 20 MHz bandwidth.

5.2.1.1.2.1.2.3 High Rate Packet Data Revision C

The High Rate Packet Data Revision C system improves upon Revision B systems and can support Revisions 0, A, B, and C terminals simultaneously. Higher peak reverse link data rate is supported by introducing higher order modulations and reverse link MIMO transmission. A peak reverse link data rate of 129 Mbit/s is supported in a 20 MHz bandwidth. Reverse link closed-loop mobile transmit diversity is introduced to further increase reverse link coverage.

5.2.1.1.2.1.3 Ultra Mobile Broadband System

The Ultra Mobile Broadband (UMB) System provides high peak data rates, good spectral efficiency, low latency, improved terminal battery life, high capacity and enhanced user experience for delay-sensitive applications such as VoIP and video telephony.

The UMB system provides a unified design for full- and half-duplex FDD modes of operation with support for scalable bandwidths. The system is designed for robust mobile broadband access, and is optimized for high spectral efficiency and short latencies using advanced modulation, link adaptation, and multi-antenna transmission techniques. Fast handoff, fast power control, and inter-sector interference management are used. Adaptive coding and modulation with synchronous H-ARQ and turbo coding are used for achieving high spectral efficiencies. Sub-band scheduling provides enhanced

performance on the reverse link by exploiting multi-user diversity gains for latency-sensitive traffic. The reverse link retransmission latency is approximately 7 ms and the peak data rate is over 70 Mbit/s in a 20 MHz bandwidth.

The reverse link is quasi-orthogonal. That is, it employs orthogonal transmission based on OFDMA, together with non-orthogonal user multiplexing with layered superposition or multiple receive antennas (SDMA). The reverse link also includes optional CDMA transmission for low-rate traffic. Interference management is obtained through fractional frequency reuse. An optimized throughput/fairness trade-off is obtained through distributed power control based on other-cell interference. The reverse link employs a CDMA control segment and OFDMA control segments. The system employs fast access with reduced overhead and fast requests. The reverse link employs a broadband reference signal for power control, handoff decisions, and sub-band scheduling. Efficient handoff support is also provided.

5.2.1.1.2.1.4 Extended Cell HRPD (xHRPD) System

xHRPD is an HRPD system which has been adapted to support limited link budgets. xHRPD can also accommodate large cells with long round-trip delays. Voice services can be supported over xHRPD using a new 2 kbps speech codec mode. A new 640 bps data rate and a constraint-length eleven channel coding mode are supported on the reverse link.

5.2.1.1.2.2 Forward Link (Downlink)

5.2.1.1.2.2.1 cdma2000

The cdma2000 Spreading Rate 1(1x) and Spreading Rate 3(3x) system provides a combination of voice, packet data, and circuit data services.

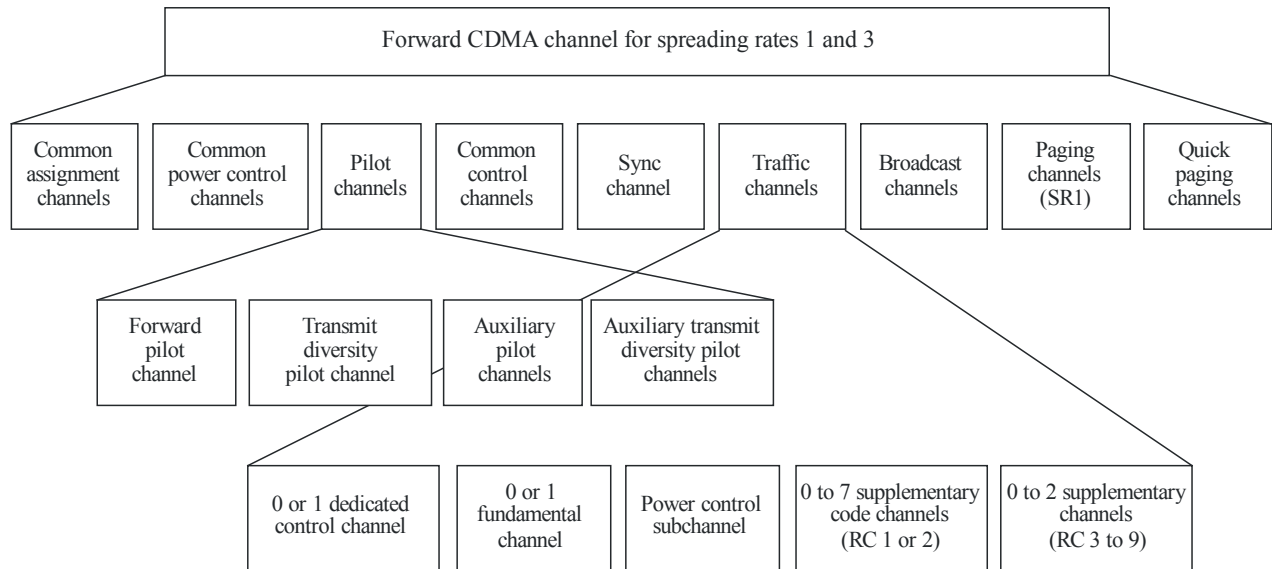
5.2.1.1.2.2.1.1 cdma2000 Revisions 0, A, and B

Figure 22 shows the forward CDMA channels received at the mobile station. The forward pilot channel, the transmit diversity pilot channel, the auxiliary pilot channels, and the auxiliary transmit diversity pilot channels are unmodulated spread spectrum signals used for synchronization by a mobile station operating within the coverage area of the BS. The forward pilot channel is transmitted at all times by the BS on each active forward CDMA channel. The auxiliary pilot channel is transmitted in a beamforming application. The transmit diversity pilot channel and the auxiliary transmit diversity pilot channel are transmitted when transmit diversity is used. The sync channel is used by mobile stations operating within the coverage area of the BS to acquire initial time synchronization. The paging channel is used by the BS to transmit system overhead information and mobile station specific messages. The broadcast channel is used by the BS to transmit system overhead information. The quick paging channel is used by the BS to inform mobile stations, operating in the slotted mode while in the idle state, whether or not to receive the forward common control channel, the broadcast channel, or the paging channel. The common power control channel is used by the BS for transmitting common power control sub channels (one bit per subchannel) for the power control of multiple reverse common control channels and enhanced access channels. The common power control sub channels are time multiplexed on the common power control channel. Each common power control subchannel controls a reverse common control channel or an enhanced access channel. The common assignment channel is used by the BS to provide quick assignment of the reverse common control channel. The forward common control channel is used by the BS to transmit mobile station-specific messages. For radio configurations 1 and 2, the forward traffic channels include the forward fundamental channel and forward supplemental code channel. For radio configurations 3 through 9, the forward traffic channels include the forward dedicated control channel, forward fundamental channel, and forward supplemental channel. Similar to the corresponding reverse traffic channels, these channels are used for transmission of user and/or signalling information to a specific mobile station during a call.

The forward traffic channels also include the forward power control subchannel. It is used to transmit reverse power control commands and is transmitted either on the forward fundamental channel or on the forward dedicated control channel.

FIGURE 22

Forward CDMA channels received at the mobile station



M.1457-22

The channel structure of the forward link is similar to that of the reverse link shown in Fig. 22, except that the sync channel and the paging channel do not use the frame quality indicator, and that the quick paging channel and the common power control channel do not use channel coding or interleaving. Block interleaving is used on the sync channel, the paging channels, the broadcast channel, the common assignment channel, the forward common control channel, and the forward traffic channels.

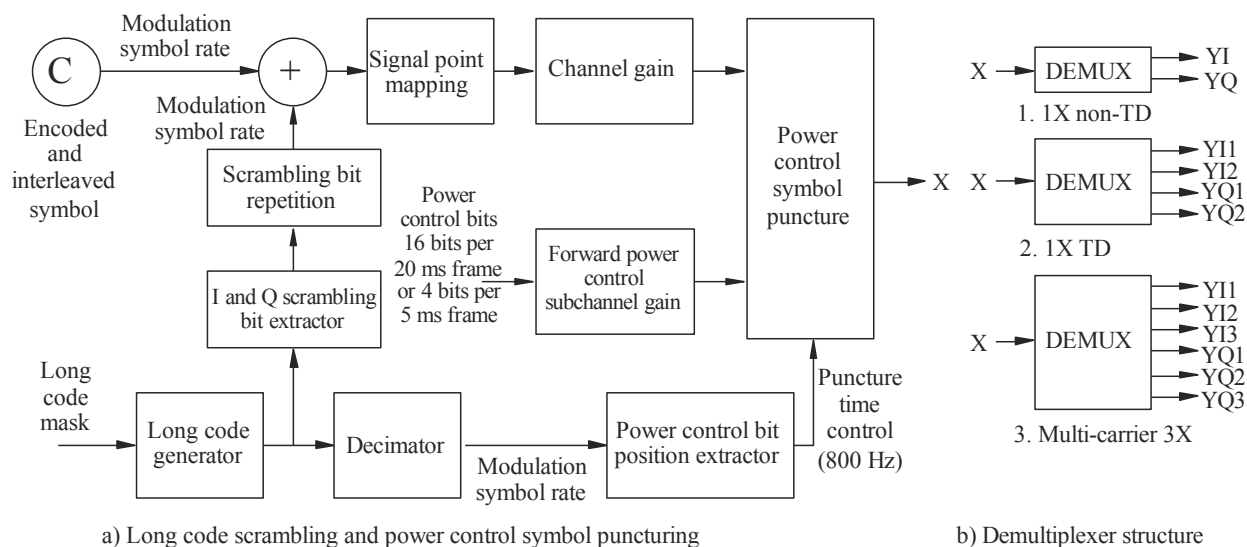
Figure 23 shows an example of scrambling, power control symbol puncturing, and demultiplexer structure for the forward traffic channels with radio configurations 3 through 9. The channel encoded and interleaved output symbols are scrambled by the long code. The power control symbols are punctured on the forward fundamental channel and forward dedicated control channel only. The DEMUX functions distribute the scrambled and punctured symbols sequentially from the top to the bottom, forming pairs of quadrature modulation symbols. When operating in SR 1 (1X) without transmit diversity (TD), each modulation symbol in a quadrature pair is spread by the appropriate Walsh or quasi-orthogonal function and is then spread by a quadrature pair of PN sequences at a fixed chip rate of 1.2288 Mchip/s. When operating in SR 1 (1X) with transmit diversity, each modulation symbol in two quadrature pairs is spread by the appropriate Walsh or quasi-orthogonal function and a quadrature pair of PN sequences to a chip rate of 1.2288 Mchip/s. Then the two quadrature pairs are transmitted on two separate antennas. When operating in the SR N multi-carrier mode, each modulation symbol in N quadrature pairs is spread by the appropriate Walsh or quasi-orthogonal function and a quadrature pair of PN sequences to a chip rate of 1.2288 Mchip/s. Then the N quadrature pairs are transmitted on N adjacent 1.25 MHz carriers.

Figure 24 shows the downlink spreading and modulation for SR 1 (1X) without transmit diversity as an example, which also shows each downlink modulation carrier for SR N multi-carrier operation.

The system described in this sub-section can be deployed as an overlay on up to N carriers of TIA/EIA-95-B family of systems. This system can also be deployed in clear spectrum.

FIGURE 23

Example of scrambling, power control symbol puncturing and demultiplexing



M.1457-23

The reverse traffic channels utilize an 800 Hz feedback power control mechanism similar to that for the forward traffic channel. In addition, the mobile station supports open loop power control.

Downlink soft handoff is achieved by performing diversity combining at the mobile station. Transmit diversity is achieved by transmitting modulation symbols on separate transmit antennas or by transmitting separate carriers on separate antennas.

5.2.1.1.2.2.1.2 cdma2000 Revisions C and D

cdma2000 Revisions C and D systems, also known as 1x Evolution-Data and Voice (1xEV-DV), include enhanced features allowing for high-speed packet data transmission, higher spectral efficiency, and simultaneous high-speed packet data and real-time services, such as voice, on a single 1.25 MHz RF carrier. The high data rates are achieved with the support of key features, such as short frames, adaptive modulation and coding, higher-order modulation, fast scheduling/rate control, and hybrid ARQ (automatic repeat request). The forward link of cdma2000 Revision C system was enhanced to provide peak rates up to 3.1 Mbit/s.

5.2.1.1.2.2.1.3 cdma2000 Revision E – 1x Advanced

The cdma2000 Revision E system, by introducing techniques such as an enhanced vocoder, virtual ARQ, and reverse link pilot gating, significantly increases the voice capacity, data performance and increases coverage.

5.2.1.1.2.2.1.4 cdma2000 Revision F

The cdma2000 Revision F system, by introducing techniques such as improved access channel and reduced overhead signaling, significantly increases the capacity for machine to machine type traffic, and increases coverage.

5.2.1.1.2.2.2 High Rate Packet Data Access

The High Rate Packet Data Access system, also known as Evolution Data Optimized (EV-DO), provides full QoS and efficient support for a wide variety of applications, backward compatible multi-carrier support, broadcast/multicast, flexible duplex, and hybrid frequency reuse.

5.2.1.1.2.2.2.1 High Rate Packet Data Revisions 0 and A

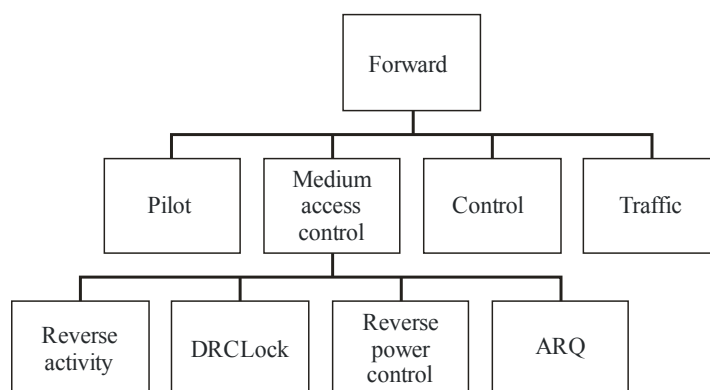
The Revisions 0 and A systems deploy a Forward CDMA Channel on a dedicated 1X RF Channel. This Forward CDMA Channel consists of the following time-multiplexed channels: the Pilot Channel, the Forward Medium Access Control (MAC) Channel, the Control Channel and the Forward Traffic Channel as shown in Fig. 24. The Forward Traffic Channel carries user data packets. The Control Channel carries control messages, and it may also carry user traffic. Each channel is further decomposed into code-division-multiplexed quadrature Walsh channels.

The MAC Channel consists of two sub channels: the Reverse Power Control (RPC) Channel and the Reverse Activity (RA) Channel. The RA Channel transmits a reverse link activity bit (RAB) stream. In Release 0, each MAC Channel symbol is BPSK modulated on one of sixty-four 64-ary Walsh codewords. In Revision A, each MAC Channel symbol is BPSK or OOK modulated on the in-phase or quadrature-phase of one of 128 128-ary Walsh codewords.

The Forward Traffic Channel is a packet-based, variable-rate channel. The user data for an access terminal is transmitted at a data rate that varies from 38.4 kbit/s to 2.4576 Mbit/s with Release 0 and from 38.4 kbit/s to 3.1 Mbit/s with Revision A.

FIGURE 24

Forward CDMA channel for high rate packet data access



M.1457-24

The Forward Traffic Channel and Control Channel data are encoded, scrambled and interleaved. The output of the channel interleaver is fed into a QPSK/8-PSK/16-QAM modulator. The modulated symbol sequences are repeated and punctured, as necessary. Then, the resulting sequences of modulation symbols are demultiplexed to form 16 pairs (in-phase and quadrature) of parallel streams.

Each of the parallel streams are covered with a distinct 16-ary Walsh function at a chip rate to yield Walsh symbols at 76.8 ksymbol/s. The Walsh-coded symbols of all the streams are summed together to form a single in-phase stream and a single quadrature stream at a chip rate of 1.2288 Mchip/s. The resulting chips are time-division multiplexed with the preamble, Pilot Channel, and MAC Channel chips to form the resultant sequence of chips for the quadrature spreading operation.

Forward Traffic Channel physical layer packets can be transmitted in 1 to 16 slots. When more than one slot is allocated, the transmitted slots use a 4-slot interlacing. That is, the transmitted slots of a packet are separated by three intervening slots, and slots of other packets are transmitted in the slots between those transmit slots. If a positive acknowledgement is received on the reverse link ACK Channel that the physical layer packet has been received on the Forward Traffic Channel before all of the allocated slots have been transmitted, the remaining untransmitted slots are not transmitted and the next allocated slot is used for the first slot of the next physical layer packet transmission.

The Control Channel is transmitted at a data rate of 76.8 kbit/s or 38.4 kbit/s. The modulation characteristics for the Control Channel are the same as those of the Forward Traffic Channel transmitted at the corresponding rate.

5.2.1.1.2.2.2.2 High Rate Packet Data Revision B

The High Rate Packet Data Revision B system specifies a multi-carrier system with a bandwidth of up to 20 MHz. Each carrier is 1.25-MHz wide and terminals may support one or more carriers. Non-contiguous CDMA carrier operation is also supported. Revision B is compatible with Revision A systems, and Release 0 and Revision A terminals can operate on Revision B networks. The user data for an access terminal is transmitted at a data rate that varies from 38.4 kbit/s to 4.9152 Mbit/s for each 1.25-MHz carrier with the peak data rate achieved using 64-QAM modulation. The forward link peak data rate is therefore 73.7 Mbit/s.

5.2.1.1.2.2.2.3 High Rate Packet Data Revision C

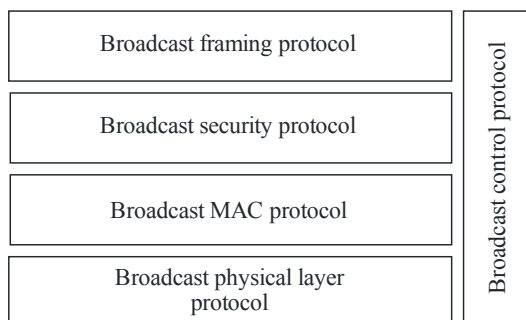
The High Rate Packet Data Revision C system improves upon Revision B systems and can support Revisions 0, A, B, and C terminals simultaneously. MIMO-OFDM slots with up to four spatial layers of transmission are introduced to improve user throughput. SIMO-OFDMA slots are introduced to improve packing efficiency by serving multiple access terminals in the same physical layer slot. Single-Carrier Multi-Link can be used to serve an access terminal from multiple base stations at the same time to improve user experience by exploiting the multi-carrier capability of the access terminal. A peak forward link data rate of 281.1 Mbit/s can be achieved over a 20 MHz channel.

5.2.1.1.2.2.2.4 Broadcast and Multicast Services (BCMCS)

The air interface of the high rate broadcast packet data system is comprised of a group of protocols that are collectively called the broadcast protocol suite. Figure 25 shows the protocols that comprise the broadcast protocol suite.

FIGURE 25

Broadcast protocol suite



The Broadcast Framing Protocol fragments higher layer packets at the access network and helps the access terminal in determining higher layer packet boundaries. The Broadcast Framing Protocol also validates the integrity of higher layer packets by discarding erroneous packets with very high probability. The Broadcast Security Protocol provides encryption of Framing Packets.

The Broadcast MAC Protocol defines procedures used to transmit over the Broadcast Channel. The Broadcast MAC Protocol also provides forward error correction (FEC) and multiplexing to reduce the radio link error rate as seen by the higher layers. The Broadcast Physical Layer provides the channel structure for the Broadcast Channel. The Broadcast Control Protocol defines procedures used to control various aspects of the operation of the broadcast packet data system.

The framing protocol fragments higher layer packets and packs them into framing packets. The framing protocol helps the access terminal in determining higher layer packet boundaries. The broadcast system uses a segment-based framing protocol that has lower deframing complexity and requires a lower bandwidth expansion margin than octet-based HDLC-like framing.

Encryption of the broadcast content and distribution of decryption key only to authorized subscribers of the channel work to counter the threat of an unauthorized user getting free and convenient access to the broadcast content.

The Broadcast Security Protocol encrypts Framing packets to form Broadcast Security packets. The access network generates a Short Term Key and uses the AES (also known as Rijndael) encryption procedures to generate an encryption mask that is exclusive-ORed with the Framing packets. The Short Term Key, which changes frequently, is generated by running a hash function on a longer-term key called the Broadcast Access Key and a random number called RandomSeed. Each broadcast channel has its own Broadcast Access Key. The Broadcast Access Key is provisioned into secure memory in the access terminal when the user subscribes to the broadcast channel. The Broadcast Access Key is changed over a longer period, which is equivalent to the subscription period to the broadcast channel. All users that subscribe to a broadcast channel share the same Broadcast Access Key. The access network broadcasts RandomSeed in the clear along with the encrypted content.

The access terminal uses the RandomSeed received with the encrypted content and the Broadcast Access Key provisioned into secure memory to compute the Short Term Key. The access terminal then uses the Short Term Key to decrypt the broadcast content.

The Broadcast MAC Protocol receives packets from the Security Protocol and adds an outer code, which in conjunction with the Physical Layer Turbo code, forms a product code. A Reed-Solomon block code is used as the outer code. Multiple Reed-Solomon Error Control Blocks are multiplexed before transmission on the Physical Layer. Each Error Control Block is made of N octet rows and $125 \times M$ octet columns.

BCMCS uses the Reed-Solomon code as an erasure code (and not as an error-correcting code) because the Cyclic Redundancy Check (CRC) provided by the Physical Layer is used to detect and erase damaged Physical Layer packets. By relying on the CRC to provide error detection, the entire power of the Reed-Solomon code is used to recover erased octets. Also, erasure decoding is simpler than error correction because the position of the erased octets is known a priori.

The Broadcast Physical Channel is divided into several time-division-multiplexed sub-channels called interlace-multiplex pairs. An Error Control Block is transported as payload on one or more sub-channels of the Physical Layer. Thus, data from multiple Error Control Blocks is multiplexed onto the Broadcast Physical Channel. The Broadcast MAC Protocol provides the outer Reed-Solomon code, while the Physical Layer provides an inner Turbo code. Soft combining is allowed on the forward link during high speed broadcast service transmission because multiple sectors may transmit the same data.

5.2.1.1.2.2.2.5 Enhanced Broadcast and Multicast Services (E-BCMCS)

The E-BCMCS transmits an OFDM-based waveform within the High Rate Packet Data structure while maintaining the same MAC and upper-layer designs as the basic BCMCS. In the enhanced mode, broadcast data are transmitted from all sectors with identical PN spreading and they are combined at the receiver as virtual multipath components. The maximum supportable rates are on the order of 1.2 to 1.5 Mbit/s based on a typical deployment scenario with a site-to-site distance of 1.9 km over a transmission bandwidth of 1.25 MHz.

The OFDM broadcast symbols are punctured into the High Rate Packet Data slot formats without changing the legacy pilot and MAC portion of the slot structure.

In order to optimize the broadcast transmission efficiency for different deployment scenarios, different OFDM formats with different cyclic prefix lengths and numbers of pilot tones are specified.

The OFDM mode with a longer cyclic prefix and more pilot tones can be deployed in a network with larger cell-to-cell distance or in a network with repeaters with large delays.

In order to support heterogeneous cell layouts with spatially non-uniform broadcast coverage, as well as to support acceptable coverage near the boundaries of broadcast areas, the access network may be configured so that different sectors broadcasting the same broadcast channel are allowed to use different transmit data rates within the same rate set. The transmission time of the first slot of each packet is synchronized across all sectors transmitting that broadcast channel. Subsequently, packets are early terminated after a different number of slots by different sectors, consistent with their transmission rates. The broadcast overhead message from each sector is used to specify the actual data rate of the broadcast channel. The access terminals attempt to decode the broadcast channel after each slot of transmission until the CRC passes, up to the data rate specified by the broadcast overhead message.

To enable HARQ, the High Rate Packet Data forward link is time division multiplexed into four interlaces, each with a duration of one slot. One or more interlaces can be occupied by different broadcast and multicast streams. This allows flexible distribution of the system resources among unicast and broadcast services.

Two OFDM formats and six rate sets are defined. The first format is designed to provide robust coverage even in a network with large repeater delays and severe adjacent channel interference, while the second OFDM format is designed with less overhead to provide higher data rates in networks without long repeater delays.

For each OFDM format, three different rate sets are defined with payload sizes ranging from 2 K to 5 K. Turbo coding is used for all the rate sets with a code rate of 1/3 for the 4 K and 5 K payload sizes and of 1/5 for the 2 K and 3 K payload sizes. The output of the Turbo channel encoder is scrambled to randomize the data prior to modulation. The scrambling sequence is generated by a 17-tap shift register with feedback. The initial seed depends on the rate set. The channel interleaver consists of a symbol-reordering stage and a matrix-interleaving stage. The interleaved sequence is then truncated/repeated to the map payload size into the OFDM transmission format. 16-QAM is used for modulation for all the rate sets. The guard tones and pilot tones are inserted according to the transmission format and staggering pattern. Frequency domain spreading is applied to randomize the pilots and data for different logic channels. The output sequence then goes through an IFFT engine and a cyclic prefix block.

5.2.1.1.2.2.3 UMB System

The UMB system provides high peak data rates, good spectral efficiency, low latency, improved terminal battery life, and high capacity and enhanced user experience for delay-sensitive applications such as VoIP and video telephony.

The UMB System provides a unified design for full- and half-duplex FDD modes of operation with support for scalable bandwidths. The system is designed for robust mobile broadband access, and is optimized for high spectral efficiency and short latencies using advanced modulation, link adaptation, and multi-antenna transmission techniques. Fast handoff, fast power control, and inter-sector interference management are used. Adaptive coding and modulation with synchronous

H-ARQ and turbo coding are used for achieving high spectral efficiencies. Sub-band scheduling provides enhanced performance on both the forward link by exploiting multi-user diversity gains for latency-sensitive traffic.

The forward link retransmission latency is approximately 5.5 ms and the peak data rate is over 260 Mbit/s in a 20-MHz bandwidth.

The system employs an orthogonal frequency division multiple access (OFDMA) forward link with support for multiple-input multiple-output (MIMO) and spatial division multiple access (SDMA) antenna techniques. The system employs fast access with reduced overhead and fast requests. Efficient handoff support is also provided. The system employs beacons for early detection of in-band and out-of-band carrier for improved sector detection in single carrier or multi-carrier deployments.

5.2.1.1.2.2.4 Extended Cell HRPD (xHRPD) System

xHRPD is an HRPD system which has been adapted to support limited link budgets. xHRPD can also accommodate large cells with long round-trip delays. Voice services can be supported over xHRPD using a new 2 kbps speech codec mode.

5.2.1.1.3 Layer 2 – MAC

5.2.1.1.3.1 Introduction

The MAC sub-layer provides the following important functions:

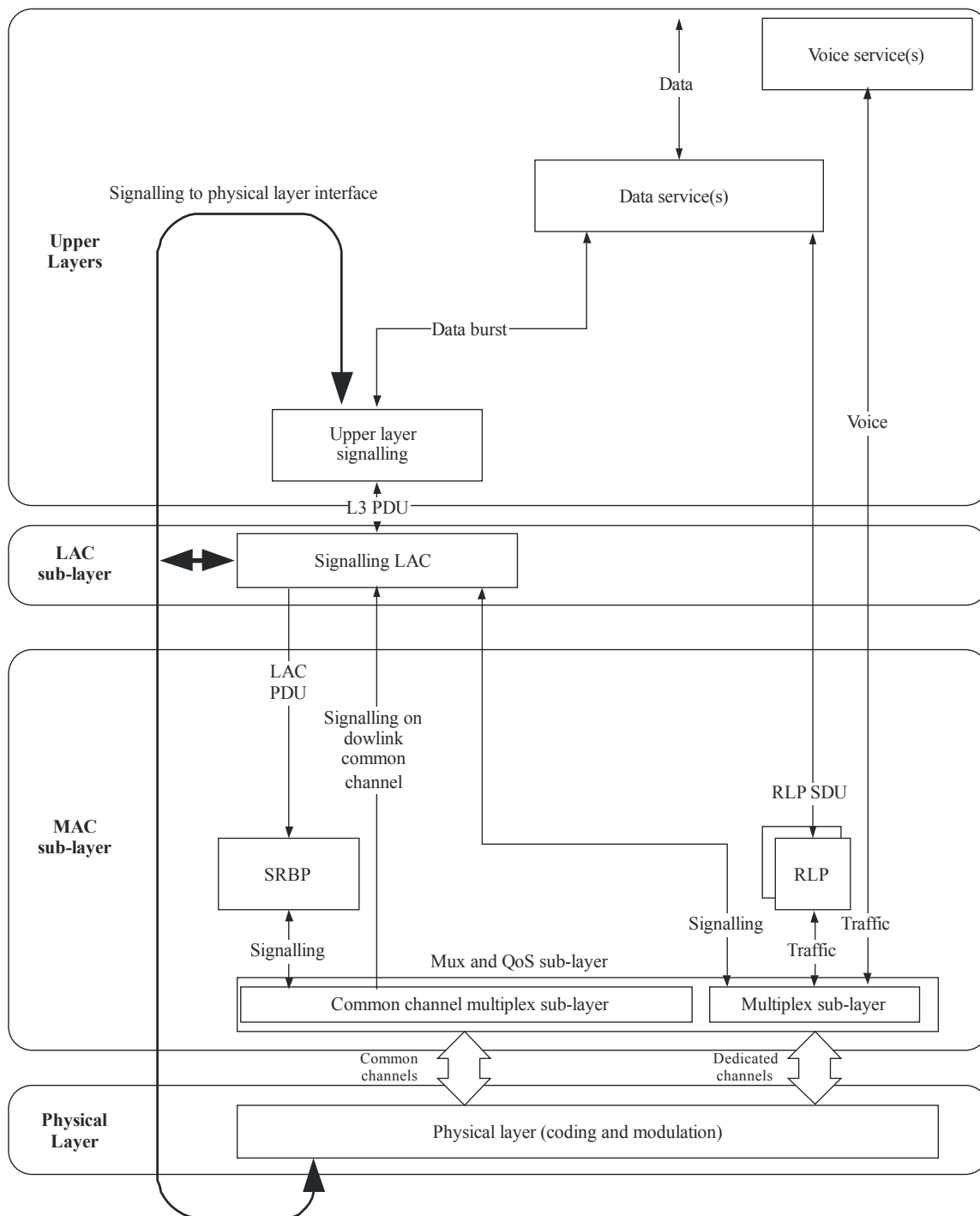
- Best effort delivery – reasonably reliable transmission over the radio link with a RLP that provides a “best effort” level of reliability.
- Rules governing access terminal transmission timing, power characteristics, and rate selection on the Access Channel.
- Rate control on both uplink and downlink traffic channels.
- Multiplexing and QoS control – enforcement of negotiated QoS levels by mediating conflicting requests from competing services and the appropriate prioritization of access requests.

5.2.1.1.3.2 Layering structure and entities

The layering structure of this radio interface is shown in Fig. 26.

FIGURE 26

Layering structure and service interfaces (Mobile stations)



M.1457-26

5.2.1.1.4 Layer 2 – LAC

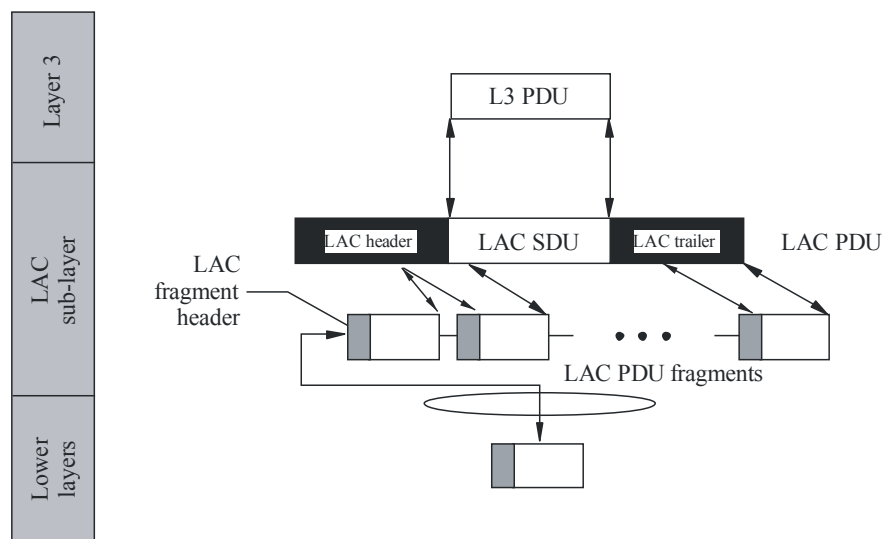
The LAC sub-layer performs the following important functions:

- Delivery of SDUs to Layer 3 entity using ARQ techniques, when needed, to provide reliability.
- Building and validating well-formed PDUs appropriate for carrying the SDUs.

- Segmentation of encapsulated PDUs into LAC PDU fragments of sizes suitable for transfer by the MAC Sub-layer and re-assembly of LAC PDU fragments into encapsulated PDUs.
- Access control through global challenge authentication. Conceptually, some messages failing authentication on a common channel should not be delivered to the upper layers for processing.
- Address control for delivery of PDUs based on addresses that identify particular mobile stations.

As a generated or received data unit traverses the protocol stack, it is processed by various protocol sub-layers in sequence. Each sub-layer processes only specific fields of the data unit that are associated with the sub-layer-defined functionality. The general processing of data units by the LAC sub-layer and its sub-layers is shown in Fig. 27. The LAC sub-layer provides services to Layer 3 in the data plane. SDUs are passed between Layer 3 and the LAC sub-layer. The LAC sub-layer provides the proper encapsulation of the SDUs into LAC PDUs, which are subject to segmentation and re-assembly and are transferred as LAC PDU fragments to the MAC sub-layer.

FIGURE 27

LAC data unit processing

M.1457-27

In the data plane, Layer 3 and the LAC sub-layer send and receive signalling information on *logical channels*, thus avoiding the need to be sensitive to the radio characteristics of the physical channels. The system described in this sub-section uses the following types of logical channel to carry signalling information:

- f-csch/r-csch (forward and reverse common signalling channel, respectively);
- f-dsch/r-dsch (forward and reverse dedicated signalling channel, respectively).

Logical channels are defined for the purposes of synchronization, broadcast, general signalling, access, and dedicated signalling. Multiple instances of the same logical channel may be deployed. Figures 28 and 29 show the logical channels on the forward and reverse links, respectively.

FIGURE 28

Downlink logical channel architecture

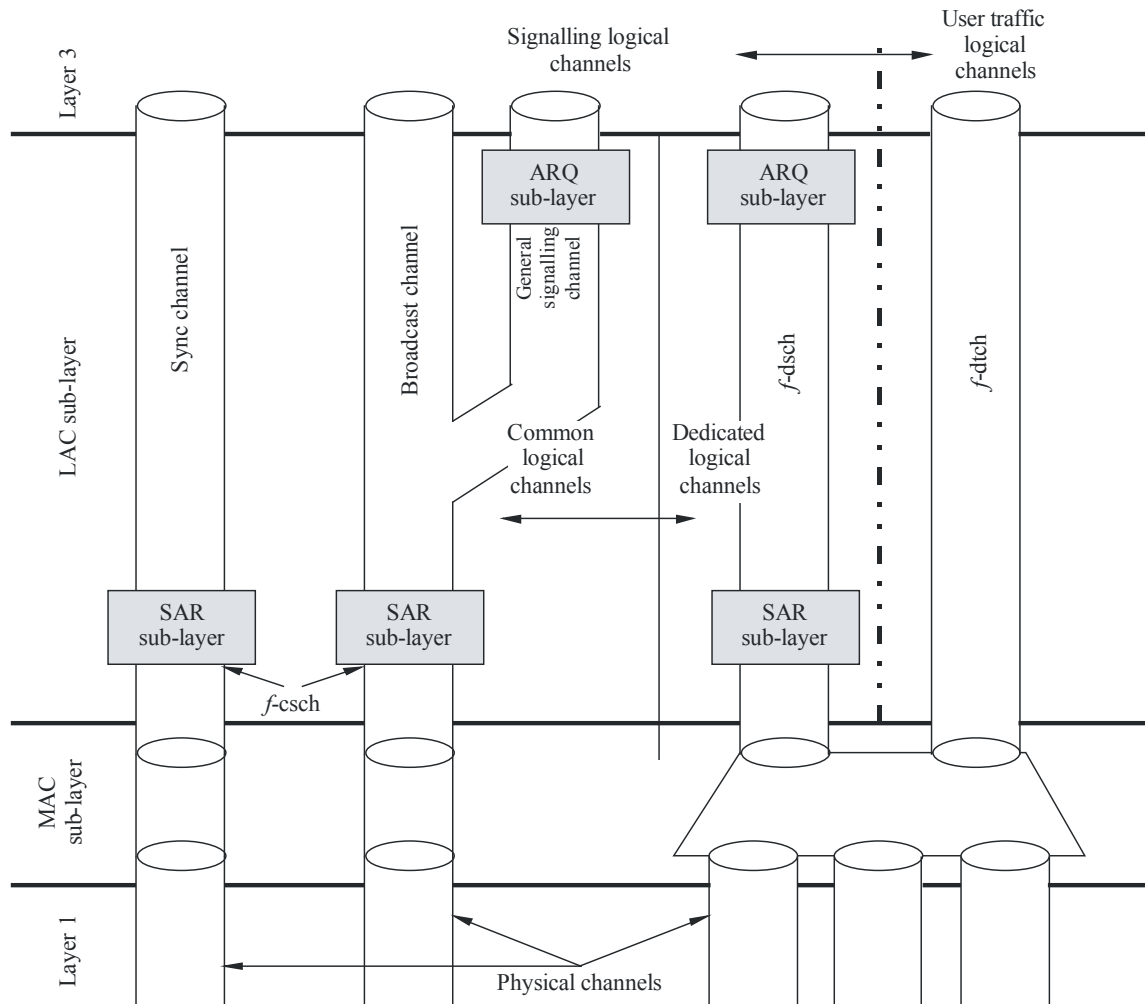
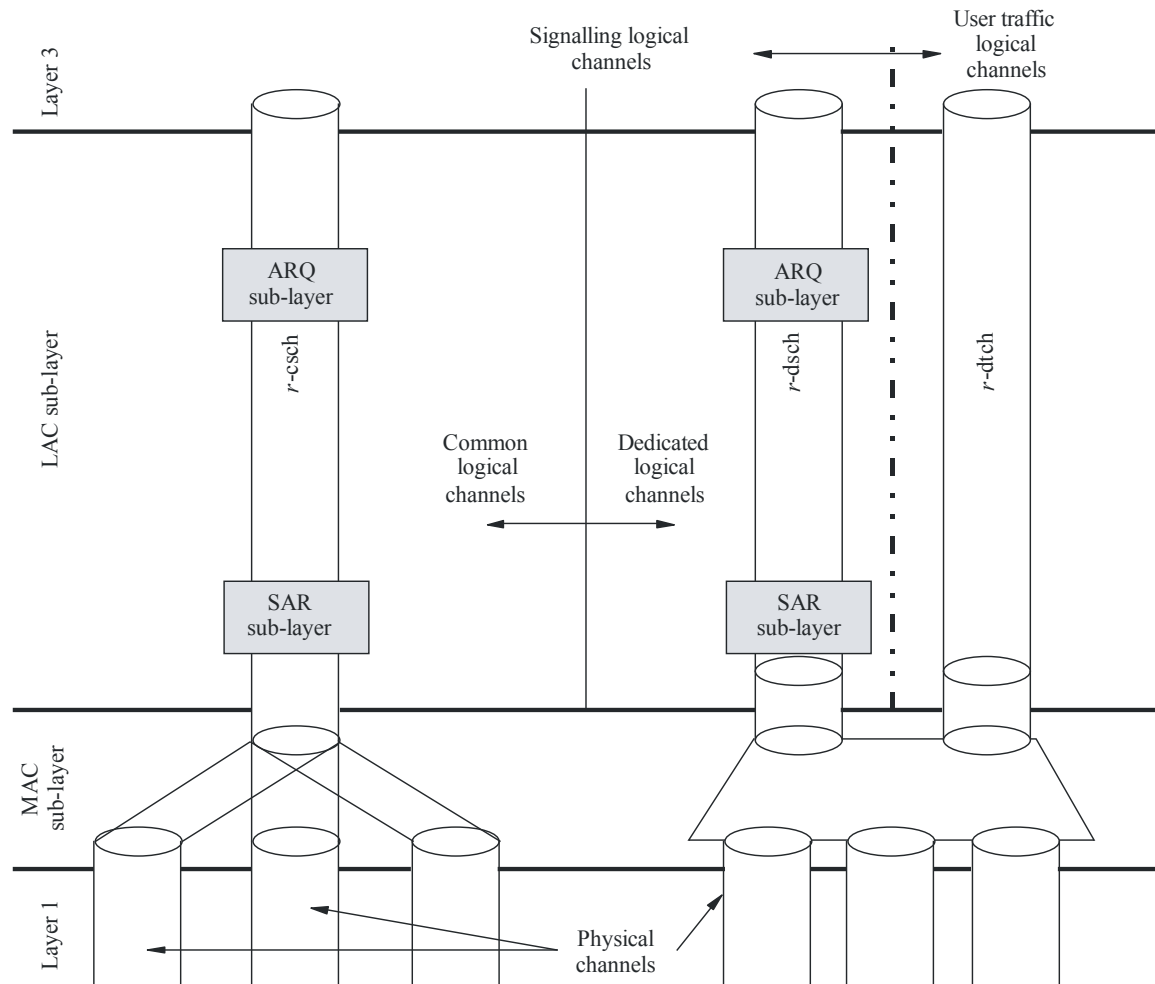


FIGURE 29

Uplink logical channel architecture



M.1457-29

5.2.1.1.5 Layer 3 signalling

Layer 3 signalling provides a flexible structure designed to support a wide range of radio interface signalling alternatives:

- backward compatible to TIA/EIA-95-B Layer 3 signalling in the IS-2000 mode;
- the native upper layer signalling for this radio interface; and
- other existing or future upper layer signalling entities.

In addition to supporting the standard cellular and PCS features, Layer 3 signalling also supports the following radio related features and capabilities:

- radio configuration negotiation;
- quick paging operation (to improve battery life);
- handoff capabilities (i.e., soft handoff, hard handoff, idle handoff, access probe handoff, and access handoff);
- power control;
- high-speed data;
- enhanced access;

- broadcast control operation;
- auxiliary pilot support; and
- MAC state transitions.

5.2.1.1.6 Summary of major technical parameters

| CDMA-MC FDD Parameter | Value | Reference to § 5.2.2 |
|--|---|---|
| Multiple access technique and duplexing scheme | Multiple access technique: CDMA, TDMA, OFDM, OFDMA, FDMA Duplexing scheme: Full Duplex FDD, Half Duplex FDD | 5.2.2.1.1.2, 5.2.2.1.1.23, 5.2.2.1.1.54 and 5.2.2.1.1.80 |
| Chip rate and bandwidth | $N \times 1.2288$ Mchip/s (currently $N = 1$ and 3 is specified, and N can be easily extended to $N = 6, 9, 12$) HRPD Rev. B and Rev. C: M carriers of 1.2288 Mchip/s can be aggregated in a multi-carrier operation, where $M = 2, 3, 4, \dots, 15$ UMB System: Native bandwidth can fit deployment of 1.25 to 20 MHz ($M \times 1.2288 - N \times 0.1536$ MHz, $M = 1, 2, 4, 8, 16$, $N = 0, \dots, M \times 4 - 1$) Multi-carrier configurations can be used to aggregate two or more carriers of possibly different native bandwidths and operating in non-contiguous spectral allocation xHRPD: Reverse link is channelized into 6.4 or 12.8 kHz bandwidth corresponding to symbol rate of 5.6 or 11.2 ksymbols/sec, respectively | 5.2.2.1.1.2, 5.2.2.1.1.23, 5.2.2.1.1.54, 5.2.2.1.1.80, and 5.2.2.1.1.102 |
| Inter-BS asynchronous/synchronous operation | Synchronous and Asynchronous operation supported in UMB. Synchronous operation is supported in cdma2000, HRPD and xHRPD | 5.2.2.1.1.2, 5.2.2.1.1.23, 5.2.2.1.1.54, 5.2.2.1.1.80, and 5.2.2.1.1.102 |
| Pilot structure | Code division dedicated pilot, frequency domain dedicated pilot (UL); code division common pilot; code division common or dedicated auxiliary pilot; frequency domain common or dedicated pilot; time division common pilot (DL); time division dedicated pilot (UL) | 5.2.2.1.1.2, 5.2.2.1.1.23, 5.2.2.1.1.54, 5.2.2.1.1.80, and 5.2.2.1.1.102 |
| Frame length and interleaving | ~0.91 to ~1.07, 5, 10, 20, ~23.70 to ~27.76, ~26.67, 40, 80 ms frame and channel interleaving | 5.2.2.1.1.2, 5.2.2.1.1.23, 5.2.2.1.1.54 and 5.2.2.1.1.80 |
| Modulation and detection | Data modulation: BPSK; QPSK, 8-PSK, 16-QAM and 64-QAM Spreading modulation: HPSK (UL); QPSK (DL) Detection: Pilot aided coherent detection | 5.2.2.1.1.2, 5.2.2.1.1.23, 5.2.2.1.1.54 and 5.2.2.1.1.80 |
| Channelization code | Walsh codes and PN spreading codes (UL) Walsh codes, PN spreading codes, or quasi-orthogonal codes (DL) | 5.2.2.1.1.2, 5.2.2.1.1.23, 5.2.2.1.1.54 and 5.2.2.1.1.80 |

| CDMA-MC FDD Parameter | Value | Reference to § 5.2.2 |
|-----------------------------|---|---|
| Scrambling (spreading) code | Long code, short PN code, and other pseudo-random codes | 5.2.2.1.1.2, 5.2.2.1.1.23 and 5.2.2.1.1.54 |
| Channel coding | Convolutional code with $K = 9$, $R = 1/2$, $1/3$, $1/4$, or $1/6$ base code rates; Convolutional code with $K = 11$, $R = 1/2$, $2/3$ or $1/4$ base code rates; Turbo code with $K = 4$, $R = 2/3$, $1/2$, $1/3$, $1/4$, or $1/5$ base code rates | 5.2.2.1.1.2, 5.2.2.1.1.23, 5.2.2.1.1.54, 5.2.2.1.1.80, and 5.2.2.1.1.102 |
| Access scheme (uplink) | Basic (random) access; power controlled access; reservation access; or designated access | 5.2.2.1.1.2, 5.2.2.1.1.23, 5.2.2.1.1.54 and 5.2.2.1.1.80 |
| Power control | Open loop Closed loop (800, 600, 400, 200, 150, 50 or $274/N$ Hz update rate, $N = 1, 2, 4, 8$) Power control steps: $0.25 \times N$, $N = 1, 2, 3, \dots, 8$ dB | 5.2.2.1.1.2, 5.2.2.1.1.23, 5.2.2.1.1.54 and 5.2.2.1.1.80 |

5.2.1.2 TDD Component

5.2.1.2.1 Introduction

The IMT-2000 radio interface specifications for UMB TDD in CDMA multi-carrier (MC) technology are developed by a partnership of SDOs (see Note 1). This radio interface is called cdma2000.

NOTE 1 – Currently, these specifications are developed within the third generation partnership project 2 (3GPP2), where the participating SDOs are ARIB, CCSA, TTA and TTC.

In the development of this radio interface the CN specifications are based on an evolved ANSI-41 and IP network, but the specifications include the necessary capabilities for operation with an evolved GSM-MAP-based CN or a CN based on IETF protocols.

This radio interface is a wideband spread spectrum radio interface that utilizes CDMA/OFDMA technology in order to meet the needs of the 3G wireless communication systems and to meet the requirements for the 3G evolution of the current 2G TIA/EIA-95-B family of standards.

This radio interface has a layered structure that provides a combination of voice, packet data, and circuit data services, according to the ISO/OSI reference model (i.e., Layer 1 – the physical layer, and Layer 2 – the link layer). Layer 2 is further subdivided into the link access control (LAC) sub-layer and the MAC sub-layer. Applications and upper layer protocols corresponding to OSI Layers 3 through 7 utilize the services provided by the LAC services, e.g., signalling services, voice services, data services (packet data and circuit data).

In this radio interface a generalized multimedia service model is supported. This allows any combination of voice, packet data, and circuit data services to be operated. The radio interface also includes a QoS control mechanism to balance the varying QoS requirements of multiple concurrent services (e.g., to support ISDN or RSVP network layer QoS capabilities).

The radio interface supports a class of operational band plans as specified in the C.S0057 standard.

This family of standards supports multi-carrier systems in contiguous and non-contiguous operation with two or more carriers each with bandwidths of up to 20 MHz.

This specification includes a flexible and efficient MAC sub-layer that supports multiple data service state machine instances, one for each active packet or circuit data service instance. Along with the multiplexing QoS control entity, the MAC realizes the complex multimedia, multi-service capabilities of 3G wireless systems with QoS management capabilities for each active service.

This specification also introduces a LAC sub-layer to provide reliable transmission over the air for signalling services. To provide flexible voice services, this radio interface provides the framework and the services to transport encoded voice data in the form of packet data or circuit data traffic. The LAC sub-layer provides an ARQ (retransmission) protocol.

5.2.1.2.2 Physical layer

5.2.1.2.2.1 Reverse link (uplink)

5.2.1.2.2.1.1 UMB System

The UMB system provides high peak data rates, good spectral efficiency, low latency, improved terminal battery life, high capacity and enhanced user experience for delay-sensitive applications such as VoIP and video telephony.

The UMB system provides multiple TDD duplexing modes, namely symmetric DL:UL partitioning (1:1), asymmetric partitioning options 5:3, 3:1 and 3:5, all with support for scalable bandwidths. UMB TDD also allows for co-existence between various pairs of duplexing modes within the same contiguous deployment. The system is designed for robust mobile broadband access, and is optimized for high spectral efficiency and short latencies using advanced modulation, link adaptation, and multi-antenna transmission techniques. Fast handoff, fast power control, and inter-sector interference management are used. Adaptive coding and modulation with synchronous H-ARQ and turbo coding are used for achieving high spectral efficiencies. Subband scheduling provides enhanced performance on the reverse link by exploiting multi-user diversity gains for latency-sensitive traffic. The reverse link retransmission latency is approximately 7 ms and the peak data rate is over 70 Mbit/s in a 20-MHz bandwidth.

The reverse link is quasi-orthogonal. That is, it employs orthogonal transmission based on OFDMA, together with non-orthogonal user multiplexing with layered superposition or multiple receive antennas (SDMA). The reverse link also includes optional CDMA transmission for low-rate traffic. Interference management is obtained through fractional frequency reuse. An optimized throughput/fairness tradeoff is obtained through distributed power control based on other-cell interference. The reverse link employs a CDMA control segment and OFDMA control segments.

The system employs fast access with reduced overhead and fast requests. The reverse link employs a broadband reference signal for power control, handoff decisions, and subband scheduling. Efficient handoff support is also provided.

5.2.1.2.2.2 Forward Link (Downlink)

5.2.1.2.2.2.1 Ultra Mobile Broadband (UMB) System

The UMB system provides high peak data rates, good spectral efficiency, low latency, improved terminal battery life, and high capacity and enhanced user experience for delay-sensitive applications such as VoIP and video telephony.

The UMB system provides multiple TDD duplexing modes, namely symmetric DL:UL partitioning (1:1), asymmetric partitioning options 5:3, 3:1, and 3:5, all with support for scalable bandwidths. UMB TDD also allows for co-existence between various pairs of duplexing modes within the same contiguous deployment.

The system is designed for robust mobile broadband access, and is optimized for high spectral efficiency and short latencies using advanced modulation, link adaptation, and multi-antenna transmission techniques. Fast handoff, fast power control, and inter-sector interference management are used. Adaptive coding and modulation with synchronous

H-ARQ and turbo coding are used for achieving high spectral efficiencies. Sub-band scheduling provides enhanced performance on both the forward link by exploiting multi-user diversity gains for latency-sensitive traffic.

The forward link retransmission latency is approximately 5.5 ms and the peak data rate is over 260 Mbit/s in a 20 MHz bandwidth.

The system employs an Orthogonal Frequency Division Multiple Access (OFDMA) forward link with support for multiple-input multiple-output (MIMO) and spatial division multiple access (SDMA) antenna techniques. The system employs fast access with reduced overhead and fast requests. Efficient handoff support is also provided. The system employs beacons for early detection of in-band and out-of-band carrier for improved sector detection in single carrier or multi-carrier deployments.

5.2.1.2.3 Layer 2 – MAC

5.2.1.2.3.1 Introduction

The MAC sub-layer provides the following important functions:

- Best effort delivery – reasonably reliable transmission over the radio link with a RLP that provides a “best effort” level of reliability.
- Rules governing access terminal transmission timing, power characteristics, and rate selection on the Access Channel.
- Rate control on both uplink and downlink traffic channels.
- Multiplexing and QoS control – enforcement of negotiated QoS levels by mediating conflicting requests from competing services and the appropriate prioritization of access requests.

5.2.1.2.3.2 Layering structure and entities

The layering structure of this radio interface is shown in Fig. 26.

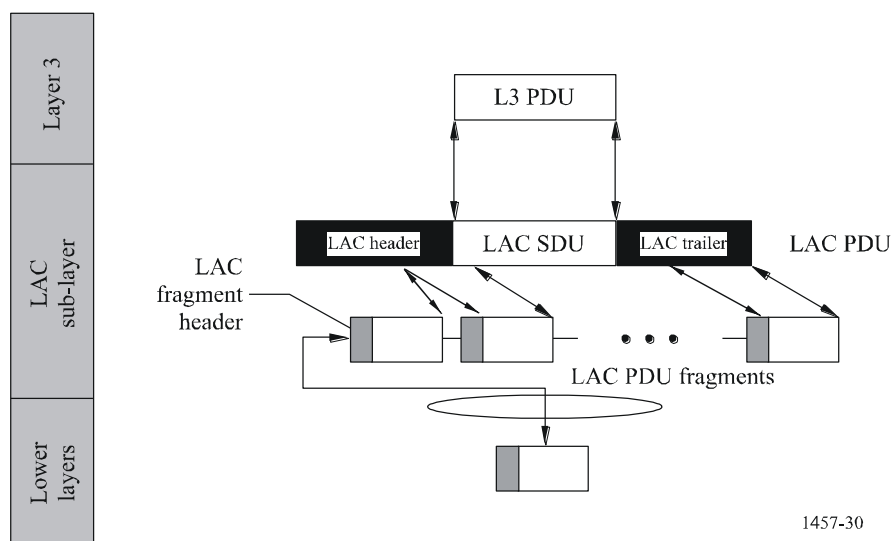
5.2.1.2.4 Layer 2 – LAC

The LAC sub-layer performs the following important functions:

- Delivery of SDUs to Layer 3 entity using ARQ techniques, when needed, to provide reliability.
- Building and validating well-formed PDUs appropriate for carrying the SDUs.
- Segmentation of encapsulated PDUs into LAC PDU fragments of sizes suitable for transfer by the MAC Sub-layer and re-assembly of LAC PDU fragments into encapsulated PDUs.
- Access control through global challenge authentication. Conceptually, some messages failing authentication on a common channel should not be delivered to the upper layers for processing.
- Address control for delivery of PDUs based on addresses that identify particular mobile stations.

As a generated or received data unit traverses the protocol stack, it is processed by various protocol sub-layers in sequence. Each sub-layer processes only specific fields of the data unit that are associated with the sub-layer-defined functionality. The general processing of data units by the LAC sub-layer and its sub-layers is shown in Fig. 30. The LAC sub-layer provides services to Layer 3 in the data plane. SDUs are passed between Layer 3 and the LAC sub-layer. The LAC sub-layer provides the proper encapsulation of the SDUs into LAC PDUs, which are subject to segmentation and re-assembly and are transferred as LAC PDU fragments to the MAC sub-layer.

FIGURE 30

LAC data unit processing

1457-30

In the data plane, Layer 3 and the LAC sub-layer send and receive signalling information on *logical channels*, thus avoiding the need to be sensitive to the radio characteristics of the physical channels. The system described in this sub-section uses the following types of logical channel to carry signalling information:

- f-csch/r-csch (forward and reverse common signalling channel, respectively);
- f-dsch/r-dsch (forward and reverse dedicated signalling channel, respectively).

Logical channels are defined for the purposes of synchronization, broadcast, general signalling, access, and dedicated signalling. Multiple instances of the same logical channel may be deployed. Figures 31 and 32 show the logical channels on the forward and reverse links, respectively.

FIGURE 31
Downlink logical channel architecture

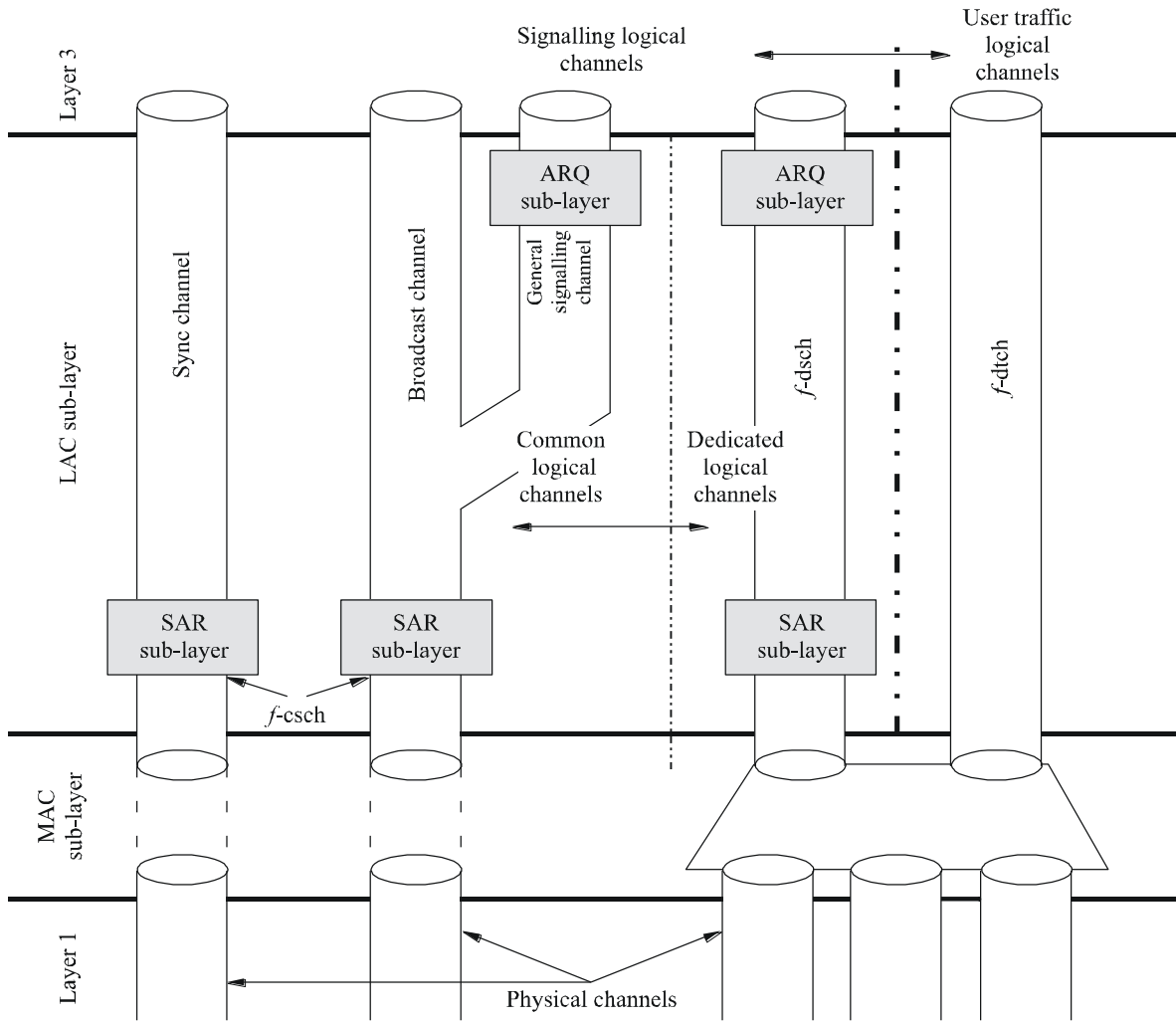
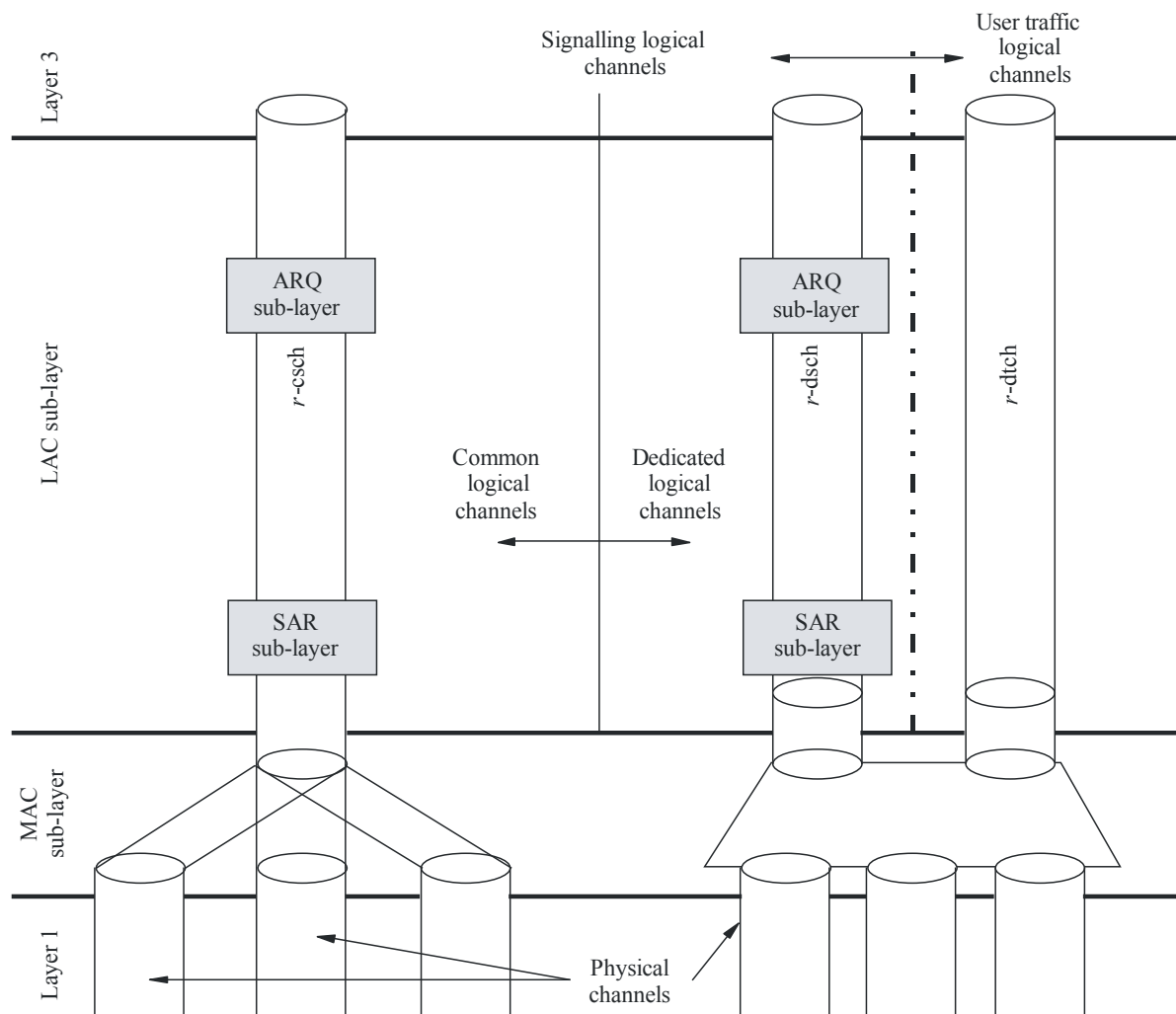


FIGURE 32

Uplink logical channel architecture



M.1457-32

5.2.1.2.5 Layer 3 signalling

Layer 3 signalling provides a flexible structure designed to support a wide range of radio interface signalling alternatives:

- the native upper layer signalling for this radio interface; and
- other existing or future upper layer signalling entities.

In addition to supporting the standard cellular and PCS features, Layer 3 signalling also supports the following radio related features and capabilities:

- radio configuration negotiation;
- quick paging operation (to improve battery life);
- handoff capabilities (i.e., soft handoff, hard handoff, idle handoff, access probe handoff, and access handoff);
- power control;
- high-speed data;

- enhanced access;
- broadcast control operation;
- auxiliary pilot support; and
- MAC state transitions.

5.2.1.2.6 Summary of Major Technical Parameters

| CDMA-MC TDD Parameter | Value | Reference to § 5.2.2 |
|--|--|----------------------|
| Multiple Access Technique and Duplexing Scheme | Multiple access technique: CDMA, OFDM, OFDMA Duplexing scheme: TDD duplexing options (DL:UL) are 1:1, 5:3, 3:1 and 3:5. | 5.2.2.2.1.58 |
| Chip Rate and Bandwidth | Native bandwidth can fit deployment of 5 to 20 MHz ($M \times 4.9152 - N \times 0.1536$ MHz, $M=1,2,4$, $N=0, \dots$, $M \times 16 - 1$). Multi-carrier configurations can be used to aggregate two or more carriers of possibly different native bandwidths and operating in non-contiguous spectral allocation. | 5.2.2.2.1.58 |
| Inter-BS Asynchronous/Synchronous Operation | Synchronous operation is supported in UMB TDD. | 5.2.2.2.1.58 |
| Pilot Structure | Code division dedicated pilot, frequency domain dedicated pilot (UL); code division common pilot, code division common or dedicated auxiliary pilot; frequency domain common or dedicated pilot, time division common pilot (DL) | 5.2.2.2.1.58 |
| Frame Length and Interleaving | ~0.91 to ~1.07, 23.07, 24.37, 25.67, 26.98 ms frame and channel interleaving | 5.2.2.2.1.58 |
| Modulation and Detection | Data modulation: BPSK; QPSK, 8-PSK, 16-QAM, 64-QAM Spreading modulation: HPSK (UL); QPSK (DL) Detection: Pilot aided coherent detection | 5.2.2.2.1.58 |
| Channelization Code | Walsh codes and PN spreading codes (UL) Walsh codes, PN spreading codes, or quasi-orthogonal codes (DL) | 5.2.2.2.1.58 |
| Scrambling (Spreading) Code | Long code, short PN code, and other pseudo-random codes | 5.2.2.2.1.58 |
| Channel Coding | Convolutional code with $K = 9$, $R = 1/2, 1/3, 1/4$, or $1/6$ base code rates; Turbo code with $K = 4$, $R = 2/3, 1/2, 1/3, 1/4$, or $1/5$ base code rates | 5.2.2.2.1.58 |
| Access Scheme (Uplink) | Basic (random) access; power controlled access; reservation access; or designated access | 5.2.2.2.1.58 |
| Power Control | Open loop Closed loop (800, 600, 150, 50, or $274/N$ Hz update rate, $N = 1, 2, 4, 8$) Power control steps: $0.25 \times N$, $N = 1, 2, 3, \dots, 8$ dB | 5.2.2.2.1.58 |

5.2.2 Detailed specification of the set of radio interface FDD/TDD components

The standards contained in this section are derived from the global core specifications for IMT_2000 contained at <http://ties.itu.int/u/itu-r/ede/rsg5/IMT-2000/GCS/GCSrev12>.

The following notes apply to the sections below, where indicated:

- 1) The relevant SDOs should make their reference material available from their Web site.
- 2) This information was supplied by the recognized external organizations and relates to their own deliverables of the transposed global core specification.

5.2.2.1 FDD Component

5.2.2.1.1 cdma2000® radio aspects specifications

5.2.2.1.1.1 C.S0001

Introduction to cdma2000 Spread Spectrum Systems

This volume provides an overview of cdma2000 standards. The general architecture of cdma2000 and its relation to TIA/EIA-95-B family of standards is described. This volume also defines some common aspects such as channel naming convention used in the standard.

| SDO (2) | Document No. | Version | Status | Issued date | Location (1) |
|-------------------|-----------------------------|---------|-----------|-------------|---|
| Revision 0 | | | | | |
| ARIB | ARIB STD-T64-C.S0001-0 v3.0 | 3.0 | Approved | Jul 14 | http://www.arib.or.jp/english/html/overview/doc/STD-T64v6_70/Specification/ARIB_STD-T64-C.S0001-0v3.0.pdf |
| Revision A | | | | | |
| ARIB | ARIB STD-T64-C.S0001-A v5.0 | 5.0 | Approved | Jul 14 | http://www.arib.or.jp/english/html/overview/doc/STD-T64v6_70/Specification/ARIB_STD-T64-C.S0001-Av5.0.pdf |
| CCSA | CCSA-TSD-MC-C.S0001-A | 5.0 | Published | Jul 01 | http://www.ccsa.org.cn/english/tc/files.php?docpath=/ITU-R/M.1457/M.1457-12/MC |
| TIA | TIA/EIA/IS-2000.1-A-2 | 5.0 | Published | Apr 02 | http://www.tiaonline.org/standards/technology/cdma2000/disclaimer.cfm |
| TTA | TTAE.3G-C.S0001-A v5.0 | 5.0 | Approved | May 02 | http://www.tta.or.kr/data/ttasDown.jsp?where=14688&pk_num=TTAE.3G-C.S0001-A v5.0 |
| Revision B | | | | | |
| ARIB | ARIB STD-T64-C.S0001-B v1.0 | 1.0 | Approved | Jul 14 | http://www.arib.or.jp/english/html/overview/doc/STD-T64v6_70/Specification/ARIB_STD-T64-C.S0001-Bv1.0.pdf |
| CCSA | CCSA-TSD-MC-C.S0001-B | 1.0 | Published | Apr 02 | http://www.ccsa.org.cn/english/tc/files.php?docpath=/ITU-R/M.1457/M.1457-12/MC |
| TIA | TIA/EIA/IS-2000.1-B | 1.0 | Published | May 02 | http://www.tiaonline.org/standards/technology/cdma2000/disclaimer.cfm |
| TTA | TTAE.3G-C.S0001-B | 1.0 | Approved | May 02 | http://www.tta.or.kr/data/ttasDown.jsp?where=14688&pk_num=TTAE.3G-C.S0001-B |
| Revision C | | | | | |
| ARIB | ARIB STD-T64-C.S0001-C v2.0 | 2.0 | Approved | Jul 14 | http://www.arib.or.jp/english/html/overview/doc/STD-T64v6_70/Specification/ARIB_STD-T64-C.S0001-Cv2.0.pdf |
| CCSA | CCSA-TSD-MC-C.S0001-C | 2.0 | Published | Jul 04 | http://www.ccsa.org.cn/english/tc/files.php?docpath=/ITU-R/M.1457/M.1457-12/MC |
| TIA | TIA-2000.1-C-1[E] | 2.0 | Published | Jun 05 | http://www.tiaonline.org/standards/technology/cdma2000/disclaimer.cfm |
| TTA | TTAT.3G-C.S0001-C v2.0 | 2.0 | Approved | May 05 | http://www.tta.or.kr/data/ttasDown.jsp?where=14688&pk_num=TTAT.3G-C.S0001-C v2.0 |
| Revision D | | | | | |
| ARIB | ARIB STD-T64-C.S0001-D v2.0 | 2.0 | Approved | Jul 14 | http://www.arib.or.jp/english/html/overview/doc/STD-T64v6_70/Specification/ARIB_STD-T64-C.S0001-Dv2.0.pdf |
| CCSA | CCSA-TSD-MC-C.S0001-D | 2.0 | Published | Jun 12 | http://www.ccsa.org.cn/english/tc/files.php?docpath=/ITU-R/M.1457/M.1457-12/MC |

518

| | | | | | |
|-----|------------------------|-----|-----------|--------|---|
| TIA | TIA-2000.1-D-1[E] | 2.0 | Published | Jan 06 | http://www.tiaonline.org/standards/technology/cdma2000/disclaimer.cfm |
| TTA | TTAT.3G-C.S0001-D v2.0 | 2.0 | Approved | Apr 06 | http://www.tta.or.kr/data/ttasDown.jsp?where=14688&pk_num=TTAT.3G-C.S0001-D v2.0 |

Revision E

| | | | | | |
|------|-----------------------------|-----|-----------|--------|---|
| ARIB | ARIB STD-T64-C.S0001-E v3.0 | 3.0 | Approved | Jul 14 | http://www.arib.or.jp/english/html/overview/doc/STD-T64v6_70/Specification/ARIB_STD-T64-C.S0001-Ev3.0.pdf |
| CCSA | CCSA-TSD-MC-C.S0001-E | 3.0 | Published | Jun 12 | http://www.ccsa.org.cn/english/tc/files.php?docpath=/ITU-R/M.1457/M.1457-12/MC |
| TIA | TIA-2000.1-E-2 | 3.0 | Published | Feb 12 | http://www.tiaonline.org/standards/technology/cdma2000/disclaimer.cfm |
| TTA | TTAT.3G-C.S0001-E v2.0 | 2.0 | Approved | Oct 10 | http://www.tta.or.kr/data/ttasDown.jsp?where=14688&pk_num=TTAT.3G-C.S0001-E v2.0 |

Revision F

| | | | | | |
|------|-----------------------|-----|-----------|--------|---|
| CCSA | CCSA-TSD-MC-C.S0001-F | 3.0 | Published | Jun 14 | http://www.ccsa.org.cn/english/tc/files.php?docpath=/ITU-R/M.1457/M.1457-12/MC |
| TIA | TIA-2000.1-F-1[E] | 2.0 | Published | Jun 14 | http://www.tiaonline.org/standards/technology/cdma2000/disclaimer.cfm |

ITU-R M.1457-12

5.2.2.1.1.2 C.S0002

Physical layer standard for cdma2000 Spread Spectrum Systems

This volume defines the physical layer of the cdma2000 standard, including the requirements for the mobile station and the BS CDMA operation. Section 1 defines the terms and numeric indications used in this document. This section also describes the time reference used in the CDMA system and the tolerances used throughout the document. Section 2 describes the physical layer requirements for mobile stations operating in the CDMA mode. Section 3 describes the requirements for CDMA base stations.

| SDO (2) | Document No. | Version | Status | Issued date | Location (1) |
|-------------------|-----------------------------|---------|-----------|-------------|---|
| Revision 0 | | | | | |
| ARIB | ARIB STD-T64-C.S0002-0 v3.0 | 3.0 | Approved | Jul 14 | http://www.arib.or.jp/english/html/overview/doc/STD-T64v6_70/Specification/ARIB_STD-T64-C.S0002-0v3.0.pdf |
| Revision A | | | | | |
| ARIB | ARIB STD-T64-C.S0002-A v6.0 | 6.0 | Approved | Jul 14 | http://www.arib.or.jp/english/html/overview/doc/STD-T64v6_70/Specification/ARIB_STD-T64-C.S0002-Av6.0.pdf |
| CCSA | CCSA-TSD-MC-C.S0002-A | 6.0 | Published | Feb 02 | http://www.ccsa.org.cn/english/tc/files.php?docpath=/ITU-R/M.1457/M.1457-12/MC |
| TIA | TIA/EIA/IS-2000.2-A-2 | 6.0 | Published | Apr 02 | http://www.tiaonline.org/standards/technology/cdma2000/disclaimer.cfm |
| TTA | TTAE.3G-C.S0002-A v6.0 | 6.0 | Approved | May 02 | http://www.tta.or.kr/data/ttasDown.jsp?where=14688&pk_num=TTAE.3G-C.S0002-A v6.0 |
| Revision B | | | | | |
| ARIB | ARIB STD-T64-C.S0002-B v1.0 | 1.0 | Approved | Jul 14 | http://www.arib.or.jp/english/html/overview/doc/STD-T64v6_70/Specification/ARIB_STD-T64-C.S0002-Bv1.0.pdf |
| CCSA | CCSA-TSD-MC-C.S0002-B | 1.0 | Published | Apr 02 | http://www.ccsa.org.cn/english/tc/files.php?docpath=/ITU-R/M.1457/M.1457-12/MC |
| TIA | TIA/EIA/IS-2000.2-B | 1.0 | Published | May 02 | http://www.tiaonline.org/standards/technology/cdma2000/disclaimer.cfm |
| TTA | TTAE.3G-C.S0002-B v1.0 | 1.0 | Approved | May 02 | http://www.tta.or.kr/data/ttasDown.jsp?where=14688&pk_num=TTAE.3G-C.S0002-B v1.0 |
| Revision C | | | | | |
| ARIB | ARIB STD-T64-C.S0002-C v2.0 | 2.0 | Approved | Jul 14 | http://www.arib.or.jp/english/html/overview/doc/STD-T64v6_70/Specification/ARIB_STD-T64-C.S0002-Cv2.0.pdf |
| CCSA | CCSA-TSD-MC-C.S0002-C | 2.0 | Published | Jul 04 | http://www.ccsa.org.cn/english/tc/files.php?docpath=/ITU-R/M.1457/M.1457-12/MC |
| TIA | TIA-2000.2-C-1[E] | 2.0 | Published | Jun 05 | http://www.tiaonline.org/standards/technology/cdma2000/disclaimer.cfm |
| TTA | TTAT.3G-C.S0002-C v2.0 | 2.0 | Approved | May 05 | http://www.tta.or.kr/data/ttasDown.jsp?where=14688&pk_num=TTAT.3G-C.S0002-C v2.0 |
| Revision D | | | | | |
| ARIB | ARIB STD-T64-C.S0002-D v2.0 | 2.0 | Approved | Jul 14 | http://www.arib.or.jp/english/html/overview/doc/STD-T64v6_70/Specification/ARIB_STD-T64-C.S0002-Dv2.0.pdf |
| TIA | TIA-2000.2-D-1[E] | 2.0 | Published | Jan 06 | http://www.tiaonline.org/standards/technology/cdma2000/disclaimer.cfm |
| TTA | TTAT.3G-C.S0002-D v2.0 | 2.0 | Approved | Apr 06 | http://www.tta.or.kr/data/ttasDown.jsp?where=14688&pk_num=TTAT.3G-C.S0002-D v2.0 |
| Revision E | | | | | |
| ARIB | ARIB STD-T64-C.S0002-E v3.0 | 3.0 | Approved | Jul 14 | http://www.arib.or.jp/english/html/overview/doc/STD-T64v6_70/Specification/ARIB_STD-T64-C.S0002-Ev3.0.pdf |
| TIA | TIA-2000.2-E-2 | 3.0 | Published | May 12 | http://www.tiaonline.org/standards/technology/cdma2000/disclaimer.cfm |

| | | | | | |
|-------------------|------------------------|-----|-----------|--------|---|
| TTA | TTAT.3G-C.S0002-E v2.0 | 2.0 | Approved | Oct 10 | http://www.tta.or.kr/data/ttasDown.jsp?where=14688&pk_num=TTAT.3G-C.S0002-E v2.0 |
| Revision F | | | | | |
| CCSA | CCSA-TSD-MC-C.S0002-F | 2.0 | Published | Jun 14 | http://www.ccsa.org.cn/english/tc/files.php?docpath=/ITU-R/M.1457/M.1457-12/MC |
| TIA | TIA-2000.2-F-1[E] | 2.0 | Published | Jul 14 | http://www.tiaonline.org/standards/technology/cdma2000/disclaimer.cfm |

5.2.2.1.1.3 C.S0003

Medium access control (MAC) standard for cdma2000 Spread Spectrum Systems

This volume provides the detailed definitions of all component entities within the cdma2000 MAC layer, the service interfaces and primitives exchanged between entities within the MAC layer, and the service interfaces and primitives exchanged between the MAC layer and other cdma2000 layers. Section 1 contains the definitions of terms and an overview of this standard. Section 2 defines the normative behavior of the cdma2000 MAC sub-layer by describing the precise processing rules for each of the MAC sub-layer entities. Section 3 describes the service interfaces between the MAC sub-layer and other entities that are defined outside of this standards document (i.e. upper layer signalling and the physical layer). Section 4 contains a set of informative flow diagrams, which demonstrate the steps that the mobile station and the BS have to follow to make certain state transitions.

| SDO (2) | Document No. | Version | Status | Issued date | Location (1) |
|-------------------|-----------------------------|---------|-----------|-------------|---|
| Revision 0 | | | | | |
| ARIB | ARIB STD-T64-C.S0003-0 v3.0 | 3.0 | Approved | Jul 14 | http://www.arib.or.jp/english/html/overview/doc/STD-T64v6_70/Specification/ARIB_STD-T64-C.S0003-0v3.0.pdf |
| Revision A | | | | | |
| ARIB | ARIB STD-T64-C.S0003-A v6.0 | 6.0 | Approved | Jul 14 | http://www.arib.or.jp/english/html/overview/doc/STD-T64v6_70/Specification/ARIB_STD-T64-C.S0003-Av6.0.pdf |
| CCSA | CCSA-TSD-MC-C.S0003-A | 6.0 | Published | Feb 02 | http://www.ccsa.org.cn/english/tc/files.php?docpath=/ITU-R/M.1457/M.1457-12/MC |
| TIA | TIA/EIA/IS-2000.3-A-2 | 6.0 | Published | Apr 02 | http://www.tiaonline.org/standards/technology/cdma2000/disclaimer.cfm |
| TTA | TTAE.3G-C.S0003-A v6.0 | 6.0 | Approved | May 02 | http://www.tta.or.kr/data/ttasDown.jsp?where=14688&pk_num=TTAE.3G-C.S0003-A v6.0 |
| Revision B | | | | | |
| ARIB | ARIB STD-T64-C.S0003-B v1.0 | 1.0 | Approved | Jul 14 | http://www.arib.or.jp/english/html/overview/doc/STD-T64v6_70/Specification/ARIB_STD-T64-C.S0003-Bv1.0.pdf |
| CCSA | CCSA-TSD-MC-C.S0003-B | 1.0 | Published | Apr 02 | http://www.ccsa.org.cn/english/tc/files.php?docpath=/ITU-R/M.1457/M.1457-12/MC |
| TIA | TIA/EIA/IS-2000.3-B | 1.0 | Published | May 02 | http://www.tiaonline.org/standards/technology/cdma2000/disclaimer.cfm |
| TTA | TTAE.3G-C.S0003-B v1.0 | 1.0 | Approved | May 02 | http://www.tta.or.kr/data/ttasDown.jsp?where=14688&pk_num=TTAE.3G-C.S0003-B v1.0 |
| Revision C | | | | | |
| ARIB | ARIB STD-T64-C.S0003-C v2.0 | 2.0 | Approved | Jul 14 | http://www.arib.or.jp/english/html/overview/doc/STD-T64v6_70/Specification/ARIB_STD-T64-C.S0003-Cv2.0.pdf |
| CCSA | CCSA-TSD-MC-C.S0003-C | 2.0 | Published | Aug 04 | http://www.ccsa.org.cn/english/tc/files.php?docpath=/ITU-R/M.1457/M.1457-12/MC |
| TIA | TIA-2000.3-C-1[E] | 2.0 | Published | Jun 05 | http://www.tiaonline.org/standards/technology/cdma2000/disclaimer.cfm |
| TTA | TTAT.3G-C.S0003-C v2.0 | 2.0 | Approved | May 05 | http://www.tta.or.kr/data/ttasDown.jsp?where=14688&pk_num=TTAT.3G-C.S0003-C v2.0 |
| Revision D | | | | | |
| ARIB | ARIB STD-T64-C.S0003-D v2.0 | 2.0 | Approved | Jul 14 | http://www.arib.or.jp/english/html/overview/doc/STD-T64v6_70/Specification/ARIB_STD-T64-C.S0003-Dv2.0.pdf |
| TIA | TIA-2000.3-D-1[E] | 2.0 | Published | Jan 06 | http://www.tiaonline.org/standards/technology/cdma2000/disclaimer.cfm |
| TTA | TTAT.3G-C.S0003-D v2.0 | 2.0 | Approved | Apr 06 | http://www.tta.or.kr/data/ttasDown.jsp?where=14688&pk_num=TTAT.3G-C.S0003-D v2.0 |
| Revision E | | | | | |
| ARIB | ARIB STD-T64-C.S0003-E v3.0 | 3.0 | Approved | Jul 14 | http://www.arib.or.jp/english/html/overview/doc/STD-T64v6_70/Specification/ARIB_STD-T64-C.S0003-Ev3.0.pdf |
| TIA | TIA-2000.3-E-2 | 3.0 | Published | Feb 12 | http://www.tiaonline.org/standards/technology/cdma2000/disclaimer.cfm |
| TTA | TTAT.3G-C.S0003-E v2.0 | 2.0 | Approved | Oct 10 | http://www.tta.or.kr/data/ttasDown.jsp?where=14688&pk_num=TTAT.3G-C.S0003-E v2.0 |
| Revision F | | | | | |

| | | | | | |
|------|-----------------------|-----|-----------|--------|---|
| CCSA | CCSA-TSD-MC-C.S0003-F | 2.0 | Published | Jun 14 | http://www.ccsa.org.cn/english/tc/files.php?docpath=/ITU-R/M.1457/M.1457-12/MC |
| TIA | TIA-2000.3-F-1[E] | 2.0 | Published | Jun 14 | http://www.tiaonline.org/standards/technology/cdma2000/disclaimer.cfm |

5.2.2.1.1.4 C.S0004

Signalling link access control (LAC) standard for cdma2000 Spread Spectrum Systems

This volume describes the LAC signalling protocol architecture and functionality used to provide the transport and delivery of Layer 3 signalling messages over cdma2000 radio channels. Section 1 defines the terms and numeric information used in this standard. Section 2 describes the requirements for cdma2000 mobile stations. Section 3 describes the requirements for cdma2000 BSs. Annex A describes the architectural and functional model used to develop cdma2000 LAC signalling. Annex B contains tables that give specific values for the constant identifiers found in Section 2 and Section 3.

| SDO (2) | Document No. | Version | Status | Issued date | Location (1) |
|-------------------|-----------------------------|---------|-----------|-------------|---|
| Revision 0 | | | | | |
| ARIB | ARIB STD-T64-C.S0004-0 v3.0 | 3.0 | Approved | Jul 14 | http://www.arib.or.jp/english/html/overview/doc/STD-T64v6_70/Specification/ARIB_STD-T64-C.S0004-0v3.0.pdf |
| Revision A | | | | | |
| ARIB | ARIB STD-T64-C.S0004-A v6.0 | 6.0 | Approved | Jul 14 | http://www.arib.or.jp/english/html/overview/doc/STD-T64v6_70/Specification/ARIB_STD-T64-C.S0004-Av6.0.pdf |
| CCSA | CCSA-TSD-MC-C.S0004-A | 6.0 | Published | Feb 02 | http://www.ccsa.org.cn/english/tc/files.php?docpath=/ITU-R/M.1457/M.1457-12/MC |
| TIA | TIA/EIA/IS-2000.4-A-2 | 6.0 | Published | Apr 02 | http://www.tiaonline.org/standards/technology/cdma2000/disclaimer.cfm |
| TTA | TTAE.3G-C.S0004-A v6.0 | 6.0 | Approved | May 02 | http://www.tta.or.kr/data/ttasDown.jsp?where=14688&pk_num=TTAE.3G-C.S0004-A v6.0 |
| Revision B | | | | | |
| ARIB | ARIB STD-T64-C.S0004-B v1.0 | 1.0 | Approved | Jul 14 | http://www.arib.or.jp/english/html/overview/doc/STD-T64v6_70/Specification/ARIB_STD-T64-C.S0004-Bv1.0.pdf |
| CCSA | CCSA-TSD-MC-C.S0004-B | 1.0 | Published | Apr 02 | http://www.ccsa.org.cn/english/tc/files.php?docpath=/ITU-R/M.1457/M.1457-12/MC |
| TIA | TIA/EIA/IS-2000.4-B | 1.0 | Published | May 02 | http://www.tiaonline.org/standards/technology/cdma2000/disclaimer.cfm |
| TTA | TTAE.3G-C.S0004-B v1.0 | 1.0 | Approved | May 02 | http://www.tta.or.kr/data/ttasDown.jsp?where=14688&pk_num=TTAE.3G-C.S0004-B v1.0 |
| Revision C | | | | | |
| ARIB | ARIB STD-T64-C.S0004-C v2.0 | 2.0 | Approved | Jul 14 | http://www.arib.or.jp/english/html/overview/doc/STD-T64v6_70/Specification/ARIB_STD-T64-C.S0004-Cv2.0.pdf |
| CCSA | CCSA-TSD-MC-C.S0004-C | 2.0 | Published | Jul 04 | http://www.ccsa.org.cn/english/tc/files.php?docpath=/ITU-R/M.1457/M.1457-12/MC |
| TIA | TIA-2000.4-C-1[E] | 2.0 | Published | Jun 05 | http://www.tiaonline.org/standards/technology/cdma2000/disclaimer.cfm |
| TTA | TTAT.3G-C.S0004-C v2.0 | 2.0 | Approved | May 05 | http://www.tta.or.kr/data/ttasDown.jsp?where=14688&pk_num=TTAT.3G-C.S0004-C v2.0 |
| Revision D | | | | | |
| ARIB | ARIB STD-T64-C.S0004-D v2.0 | 2.0 | Approved | Jul 14 | http://www.arib.or.jp/english/html/overview/doc/STD-T64v6_70/Specification/ARIB_STD-T64-C.S0004-Dv2.0.pdf |
| TIA | TIA-2000.4-D-1[E] | 2.0 | Published | Jan 06 | http://www.tiaonline.org/standards/technology/cdma2000/disclaimer.cfm |
| TTA | TTAT.3G-C.S0004-D v2.0 | 2.0 | Approved | Apr 06 | http://www.tta.or.kr/data/ttasDown.jsp?where=14688&pk_num=TTAT.3G-C.S0004-D v2.0 |
| Revision E | | | | | |
| ARIB | ARIB STD-T64-C.S0004-E v3.0 | 3.0 | Approved | Jul 14 | http://www.arib.or.jp/english/html/overview/doc/STD-T64v6_70/Specification/ARIB_STD-T64-C.S0004-Ev3.0.pdf |
| TIA | TIA-2000.4-E-2 | 3.0 | Published | Jan 12 | http://www.tiaonline.org/standards/technology/cdma2000/disclaimer.cfm |
| TTA | TTAT.3G-C.S0004-E v2.0 | 2.0 | Approved | Oct 10 | http://www.tta.or.kr/data/ttasDown.jsp?where=14688&pk_num=TTAT.3G-C.S0004-E v2.0 |
| Revision F | | | | | |
| CCSA | CCSA-TSD-MC-C.S0004-F | 2.0 | Published | Jun 14 | http://www.ccsa.org.cn/english/tc/files.php?docpath=/ITU-R/M.1457/M.1457-12/MC |
| TIA | TIA-2000.4-F-1[E] | 2.0 | Published | Jun 14 | http://www.tiaonline.org/standards/technology/cdma2000/disclaimer.cfm |

5.2.2.1.1.5 C.S0005

Upper layer (Layer 3) signalling standard for cdma2000 Spread Spectrum Systems

This volume details the Layer 3 call processing and procedures, including the requirements for the mobile station and the BS CDMA operation. Section 1 defines the terms and numeric indications used in this document. Section 2 defines requirements that are specific to CDMA mobile station equipment and operation. Section 3 defines requirements that are specific to CDMA BS equipment and operation.

| SDO (2) | Document No. | Version | Status | Issued date | Location (1) |
|-------------------|-----------------------------|---------|-----------|-------------|---|
| Revision 0 | | | | | |
| ARIB | ARIB STD-T64-C.S0005-0 v3.0 | 3.0 | Approved | Jul 14 | http://www.arib.or.jp/english/html/overview/doc/STD-T64v6_70/Specification/ARIB_STD-T64-C.S0005-0v3.0.pdf |
| Revision A | | | | | |
| ARIB | ARIB STD-T64-C.S0005-A v6.0 | 6.0 | Approved | Jul 14 | http://www.arib.or.jp/english/html/overview/doc/STD-T64v6_70/Specification/ARIB_STD-T64-C.S0005-Av6.0.pdf |
| CCSA | CCSA-TSD-MC-C.S0005-A | 6.0 | Published | Feb 02 | http://www.ccsa.org.cn/english/tc/files.php?docpath=/ITU-R/M.1457/M.1457-12/MC |
| TIA | TIA/EIA/IS-2000.5-A-2 | 6.0 | Published | Apr 02 | http://www.tiaonline.org/standards/technology/cdma2000/disclaimer.cfm |
| TTA | TTAE.3G-C.S0005-A v6.0 | 6.0 | Approved | May 02 | http://www.tta.or.kr/data/ttasDown.jsp?where=14688&pk_num=TTAE.3G-C.S0005-A v6.0 |
| Revision B | | | | | |
| ARIB | ARIB STD-T64-C.S0005-B v1.0 | 1.0 | Approved | Jul 14 | http://www.arib.or.jp/english/html/overview/doc/STD-T64v6_70/Specification/ARIB_STD-T64-C.S0005-Bv1.0.pdf |
| CCSA | CCSA-TSD-MC-C.S0005-B | 1.0 | Published | Apr 02 | http://www.ccsa.org.cn/english/tc/files.php?docpath=/ITU-R/M.1457/M.1457-12/MC |
| TIA | TIA/EIA/IS-2000.5-B | 1.0 | Published | May 02 | http://www.tiaonline.org/standards/technology/cdma2000/disclaimer.cfm |
| TTA | TTAE.3G-C.S0005-B v1.0 | 1.0 | Approved | May 02 | http://www.tta.or.kr/data/ttasDown.jsp?where=14688&pk_num=TTAE.3G-C.S0005-B v1.0 |
| Revision C | | | | | |
| ARIB | ARIB STD-T64-C.S0005-C v2.0 | 2.0 | Approved | Jul 14 | http://www.arib.or.jp/english/html/overview/doc/STD-T64v6_70/Specification/ARIB_STD-T64-C.S0005-Cv2.0.pdf |
| CCSA | CCSA-TSD-MC-C.S0005-C | 2.0 | Published | Jul 04 | http://www.ccsa.org.cn/english/tc/files.php?docpath=/ITU-R/M.1457/M.1457-12/MC |
| TIA | TIA-2000.5-C-1[E] | 2.0 | Published | Jun 05 | http://www.tiaonline.org/standards/technology/cdma2000/disclaimer.cfm |
| TTA | TTAT.3G-C.S0005-C v2.0 | 2.0 | Approved | May 05 | http://www.tta.or.kr/data/ttasDown.jsp?where=14688&pk_num=TTAT.3G-C.S0005-C v2.0 |
| Revision D | | | | | |
| ARIB | ARIB STD-T64-C.S0005-D v2.0 | 2.0 | Approved | Jul 14 | http://www.arib.or.jp/english/html/overview/doc/STD-T64v6_70/Specification/ARIB_STD-T64-C.S0005-Dv2.0.pdf |
| TIA | TIA-2000.5-D-1 | 2.0 | Published | Sep 07 | http://www.tiaonline.org/standards/technology/cdma2000/disclaimer.cfm |
| TTA | TTAT.3G-C.S0005-D v2.0 | 2.0 | Approved | Apr 06 | http://www.tta.or.kr/data/ttasDown.jsp?where=14688&pk_num=TTAT.3G-C.S0005-D v2.0 |
| Revision E | | | | | |
| ARIB | ARIB STD-T64-C.S0005-E v3.0 | 3.0 | Approved | Jul 14 | http://www.arib.or.jp/english/html/overview/doc/STD-T64v6_70/Specification/ARIB_STD-T64-C.S0005-Ev3.0.pdf |
| TIA | TIA-2000.5-E-2 | 3.0 | Published | Aug 12 | http://www.tiaonline.org/standards/technology/cdma2000/disclaimer.cfm |
| TTA | TTAT.3G-C.S0005-E v2.0 | 2.0 | Approved | Oct 10 | http://www.tta.or.kr/data/ttasDown.jsp?where=14688&pk_num=TTAT.3G-C.S0005-E v2.0 |
| Revision F | | | | | |
| CCSA | CCSA-TSD-MC-C.S0005-F | 2.0 | Published | Jun 14 | http://www.ccsa.org.cn/english/tc/files.php?docpath=/ITU-R/M.1457/M.1457-12/MC |
| TIA | TIA-2000.5-F-1[E] | 2.0 | Published | Jun 14 | http://www.tiaonline.org/standards/technology/cdma2000/disclaimer.cfm |

5.2.2.1.1.6 C.S0006

Analogue Signalling standard for cdma2000 Spread Spectrum Systems

This volume specifies analogue operation at 800 MHz based upon the standard TIA/EIA-553-A. This standard provides the differences within TIA/EIA-553-A, which are used by dual-mode mobile stations. Section 1 defines the terms and numeric indications used in this document. Section 2 describes the requirements for CDMA-analogue dual-mode mobile stations operating in the analogue mode.

Section 3 describes the requirements for analogue BSs. Section 4 describes the requirements for CDMA-analogue dual-mode mobile stations, which use the 32-digit dialing option on the reverse analogue control channel. In addition, this section describes mobile station requirements for use of the optional extended protocol. Section 5 describes the BS requirements for using the 32-digit dialing option on the reverse analogue control channel. In addition, this section describes BS requirements for use of the optional extended protocol.

| SDO (2) | Document No. | Version | Status | Issued date | Location (1) |
|-------------------|------------------------|---------|-----------|-------------|---|
| Revision A | | | | | |
| CCSA | CCSA-TSD-MC-C.S0006-A | 6.0 | Published | Feb 02 | http://www.ccsa.org.cn/english/tc/files.php?docpath=/ITU-R/M.1457/M.1457-12/MC |
| TIA | TIA/EIA/IS-2000.6-A-2 | 6.0 | Published | Apr 02 | http://www.tiaonline.org/standards/technology/cdma2000/disclaimer.cfm |
| TTA | TTAE.3G-C.S0006-A v6.0 | 6.0 | Approved | May 02 | http://www.tta.or.kr/data/ttasDown.jsp?where=14688&pk_num=TTAE.3G-C.S0006-A v6.0 |
| Revision B | | | | | |
| CCSA | CCSA-TSD-MC-C.S0006-B | 1.0 | Published | Apr 02 | http://www.ccsa.org.cn/english/tc/files.php?docpath=/ITU-R/M.1457/M.1457-12/MC |
| TIA | TIA/EIA/IS-2000.6-B | 1.0 | Published | May 02 | http://www.tiaonline.org/standards/technology/cdma2000/disclaimer.cfm |
| TTA | TTAE.3G-C.S0006-B v1.0 | 1.0 | Approved | May 02 | http://www.tta.or.kr/data/ttasDown.jsp?where=14688&pk_num=TTAE.3G-C.S0006-B v1.0 |
| Revision C | | | | | |
| CCSA | CCSA-TSD-MC-C.S0006-C | 2.0 | Published | Jul 04 | http://www.ccsa.org.cn/english/tc/files.php?docpath=/ITU-R/M.1457/M.1457-12/MC |
| TIA | TIA-2000.6-C-1[E] | 2.0 | Published | Jun 05 | http://www.tiaonline.org/standards/technology/cdma2000/disclaimer.cfm |
| TTA | TTAT.3G-C.S0006-C v2.0 | 2.0 | Approved | May 05 | http://www.tta.or.kr/data/ttasDown.jsp?where=14688&pk_num=TTAT.3G-C.S0006-C v2.0 |
| Revision D | | | | | |
| CCSA | CCSA-TSD-MC-C.S0006-D | 2.0 | Published | Jun 14 | http://www.ccsa.org.cn/english/tc/files.php?docpath=/ITU-R/M.1457/M.1457-12/MC |
| TIA | TIA-2000.6-D-1[E] | 2.0 | Published | Jan 06 | http://www.tiaonline.org/standards/technology/cdma2000/disclaimer.cfm |
| TTA | TTAT.3G-C.S0006-D v2.0 | 2.0 | Approved | Apr 06 | http://www.tta.or.kr/data/ttasDown.jsp?where=14688&pk_num=TTAT.3G-C.S0006-D v2.0 |

5.2.2.1.1.7 C.S0007

Direct Spread Specification for Spread Spectrum Systems on ANSI-41 (DS-41) (Upper Layers Air Interface)

This specification covers upper layers signalling protocols and procedures for the DS-41 (IMT-2000 CDMA-DS on ANSI-41) radio interface which support functionality customarily classified as pertaining to CC and MM.

| SDO (2) | Document No. | Version | Status | Issued date | Location (1) |
|-------------------|------------------------|---------|-----------|-------------|---|
| CCSA | CCSA-TSD-MC-C.S0007-0 | 2.0 | Published | Jun 00 | http://www.ccsa.org.cn/english/tc/files.php?docpath=/ITU-R/M.1457/M.1457-12/MC |
| Revision 0 | | | | | |
| TIA | TIA/EIA/IS-834 | 2.0 | Published | Mar 00 | http://www.tiaonline.org/standards/technology/cdma2000/disclaimer.cfm |
| TTA | TTAT.3G-C.S0007-0 v2.0 | 2.0 | Approved | May 05 | http://www.tta.or.kr/data/ttasDown.jsp?where=14688&pk_num=TTAT.3G-C.S0007-0 v2.0 |

5.2.2.1.1.8 C.S0008

Multi-Carrier Specification for Spread Spectrum Systems on GSM MAP (MC-MAP)

This specification covers lower layers (Layer 3 RRC, Layer 2, Layer 1) protocols and procedures for the MC-MAP (IMT-2000 CDMA-MC on GSM-MAP) radio interface.

| SDO (2) | Document No. | Version | Status | Issued date | Location (1) |
|---------|--------------|---------|--------|-------------|--------------|
|---------|--------------|---------|--------|-------------|--------------|

| | | | | | |
|-------------------|------------------------|-----|-----------|--------|---|
| CCSA | CCSA-TSD-MC-C.S0008-0 | 1.0 | Published | Jun 00 | http://www.ccsa.org.cn/english/tc/files.php?docpath=/ITU-R/M.1457/M.1457-12/MC |
| Revision 0 | | | | | |
| TIA | TIA/EIA/IS-833 | 1.0 | Published | Mar 00 | http://www.tiaonline.org/standards/technology/cdma2000/disclaimer.cfm |
| TTA | TTAT.3G-C.S0008-0 v2.0 | 2.0 | Approved | May 05 | http://www.tta.or.kr/data/ttasDown.jsp?where=14688&pk_num=TTAT.3G-C.S0008-0 v2.0 |

5.2.2.1.1.9 C.S0009

Standard for Wideband Spread Spectrum Systems

This specification defines the original variable rate speech codec which has a full rate of 8 kbit/s.

| SDO (2) | Document No. | Version | Status | Issued date | Location (1) |
|-------------------|-----------------------------|---------|-----------|-------------|---|
| CCSA | CCSA-TSD-MC-C.S0009-0 | 1.0 | Published | Dec 99 | http://www.ccsa.org.cn/english/tc/files.php?docpath=/ITU-R/M.1457/M.1457-12/MC |
| Revision 0 | | | | | |
| ARIB | ARIB STD-T64-C.S0009-0 v1.0 | 1.0 | Approved | Jul 14 | http://www.arib.or.jp/english/html/overview/doc/STD-T64v6_70/Specification/ARIB_STD-T64-C.S0009-0v1.0.pdf |
| TIA | TIA/EIA-96-C | 1.0 | Published | Aug 98 | http://www.tiaonline.org/standards/technology/cdma2000/disclaimer.cfm |
| TTA | TTAE.3G-C.S0009 | 1.0 | Approved | Jul 00 | http://www.tta.or.kr/data/ttasDown.jsp?where=14688&pk_num=TTAE.3G-C.S0009 |

5.2.2.1.1.10 C.S0010

Recommended Minimum Performance Standards for Base Stations Supporting Dual Mode Spread Spectrum Systems

This specification provides definitions, methods of measurement, and minimum performance requirements for CDMA base stations.

| SDO (2) | Document No. | Version | Status | Issued date | Location (1) |
|-------------------|-----------------------------|---------|-----------|-------------|---|
| Revision 0 | | | | | |
| TTA | TTAE.3G-C.S0010 | 1.0 | Approved | Jul 00 | http://www.tta.or.kr/data/ttasDown.jsp?where=14688&pk_num=TTAE.3G-C.S0010 |
| Revision A | | | | | |
| ARIB | ARIB STD-T64-C.S0010-A v1.0 | 1.0 | Approved | Jul 14 | http://www.arib.or.jp/english/html/overview/doc/STD-T64v6_70/Specification/ARIB_STD-T64-C.S0010-Av1.0.pdf |
| CCSA | CCSA-TSD-MC-C.S0010-A | 1.0 | Published | Mar 01 | http://www.ccsa.org.cn/english/tc/files.php?docpath=/ITU-R/M.1457/M.1457-12/MC |
| TIA | TIA/EIA-97-D | 1.0 | Published | Jun 01 | http://www.tiaonline.org/standards/technology/cdma2000/disclaimer.cfm |
| TTA | TTAE.3G-C.S0010-A | 1.0 | Approved | Dec 01 | http://www.tta.or.kr/data/ttasDown.jsp?where=14688&pk_num=TTAE.3G-C.S0010-A |
| Revision B | | | | | |
| ARIB | ARIB STD-T64-C.S0010-B v2.0 | 2.0 | Approved | Jul 14 | http://www.arib.or.jp/english/html/overview/doc/STD-T64v6_70/Specification/ARIB_STD-T64-C.S0010-Bv2.0.pdf |
| CCSA | CCSA-TSD-MC-C.S0010-B | 2.0 | Published | Feb 04 | http://www.ccsa.org.cn/english/tc/files.php?docpath=/ITU-R/M.1457/M.1457-12/MC |
| TIA | TIA-97-E-1[E] | 2.0 | Published | Mar 04 | http://www.tiaonline.org/standards/technology/cdma2000/disclaimer.cfm |
| TTA | TTAT.3G-C.S0010-B v2.0 | 2.0 | Approved | May 05 | http://www.tta.or.kr/data/ttasDown.jsp?where=14688&pk_num=TTAT.3G-C.S0010-B v2.0 |
| Revision C | | | | | |
| ARIB | ARIB STD-T64-C.S0010-C v2.0 | 2.0 | Approved | Jul 14 | http://www.arib.or.jp/english/html/overview/doc/STD-T64v6_70/Specification/ARIB_STD-T64-C.S0010-Cv2.0.pdf |
| CCSA | CCSA-TSD-MC-C.S0010-C | 2.0 | Published | Feb 06 | http://www.ccsa.org.cn/english/tc/files.php?docpath=/ITU-R/M.1457/M.1457-12/MC |
| TIA | TIA-97-F-1 | 2.0 | Published | Jun 06 | http://www.tiaonline.org/standards/technology/cdma2000/disclaimer.cfm |
| TTA | TTAT.3G-C.S0010-C v2.0 | 2.0 | Approved | Dec 07 | http://www.tta.or.kr/data/ttasDown.jsp?where=14688&pk_num=TTAT.3G-C.S0010-C v2.0 |
| Revision D | | | | | |
| TIA | TIA-97-G-2011 | 1.0 | Published | Jan 11 | http://www.tiaonline.org/standards/technology/cdma2000/disclaimer.cfm |

Revision E

| | | | | | |
|------|-----------------------------|-----|-----------|--------|---|
| ARIB | ARIB STD-T64-C.S0010-E v2.0 | 2.0 | Approved | Jul 14 | http://www.arib.or.jp/english/html/overview/doc/STD-T64v6_70/Specification/ARIB_STD-T64-C.S0010-Ev2.0.pdf |
| CCSA | CCSA-TSD-MC-C.S0010-E | 2.0 | Published | Jun 14 | http://www.ccsa.org.cn/english/tc/files.php?docpath=/ITU-R/M.1457/M.1457-12/MC |
| TIA | TIA-97-H-1[E] | 2.0 | Published | Apr 14 | http://www.tiaonline.org/standards/technology/cdma2000/disclaimer.cfm |

5.2.2.1.11 C.S0011**Recommended Minimum Performance Standards for cdma2000 Spread Spectrum Mobile Stations**

This specification provides definitions, methods of measurement, and minimum performance requirements for CDMA mobile stations.

| SDO (2) | Document No. | Version | Status | Issued date | Location (1) |
|-------------------|-----------------------------|---------|-----------|-------------|---|
| Release E | | | | | |
| TTA | TTAT.3G-C.S0011-E v1.0 | 1.0 | Approved | Aug 12 | http://www.tta.or.kr/data/ttasDown.jsp?where=14688&pk_num=TTAT.3G-C.S0011-E v1.0 |
| Revision 0 | | | | | |
| TTA | TTAE.3G-C.S0011 | 1.0 | Approved | Jul 00 | http://www.tta.or.kr/data/ttasDown.jsp?where=14688&pk_num=TTAE.3G-C.S0011 |
| Revision A | | | | | |
| ARIB | ARIB STD-T64-C.S0011-A v2.0 | 2.0 | Approved | Jul 14 | http://www.arib.or.jp/english/html/overview/doc/STD-T64v6_70/Specification/ARIB_STD-T64-C.S0011-Av2.0.pdf |
| CCSA | CCSA-TSD-MC-C.S0011-A | 2.0 | Published | Mar 10 | http://www.ccsa.org.cn/english/tc/files.php?docpath=/ITU-R/M.1457/M.1457-12/MC |
| TIA | TIA/EIA-98-D | 2.0 | Published | Jun 01 | http://www.tiaonline.org/standards/technology/cdma2000/disclaimer.cfm |
| TTA | TTAE.3G-C.S0011-A | 2.0 | Approved | Dec 01 | http://www.tta.or.kr/data/ttasDown.jsp?where=14688&pk_num=TTAE.3G-C.S0011-A |
| Revision B | | | | | |
| ARIB | ARIB STD-T64-C.S0011-B v1.0 | 1.0 | Approved | Jul 14 | http://www.arib.or.jp/english/html/overview/doc/STD-T64v6_70/Specification/ARIB_STD-T64-C.S0011-Bv1.0.pdf |
| CCSA | CCSA-TSD-MC-C.S0011-B | 1.0 | Published | Feb 02 | http://www.ccsa.org.cn/english/tc/files.php?docpath=/ITU-R/M.1457/M.1457-12/MC |
| TIA | TIA-98-E | 1.0 | Published | Feb 03 | http://www.tiaonline.org/standards/technology/cdma2000/disclaimer.cfm |
| TTA | TTAT.3G-C.S0011-B V1.0 | 1.0 | Approved | May 03 | http://www.tta.or.kr/data/ttasDown.jsp?where=14688&pk_num=TTAT.3G-C.S0011-B V1.0 |
| Revision C | | | | | |
| ARIB | ARIB STD-T64-C.S0011-C v2.0 | 2.0 | Approved | Jul 14 | http://www.arib.or.jp/english/html/overview/doc/STD-T64v6_70/Specification/ARIB_STD-T64-C.S0011-Cv2.0.pdf |
| CCSA | CCSA-TSD-MC-C.S0011-C | 2.0 | Published | Feb 06 | http://www.ccsa.org.cn/english/tc/files.php?docpath=/ITU-R/M.1457/M.1457-12/MC |
| TIA | TIA-98-F-1 | 2.0 | Published | Jun 06 | http://www.tiaonline.org/standards/technology/cdma2000/disclaimer.cfm |
| TTA | TTAT.3G-C.S0011-C v2.0 | 2.0 | Approved | Dec 07 | http://www.tta.or.kr/data/ttasDown.jsp?where=14688&pk_num=TTAT.3G-C.S0011-C v2.0 |
| Revision D | | | | | |
| TIA | TIA-98-G | 1.0 | Published | Feb 12 | http://www.tiaonline.org/standards/technology/cdma2000/disclaimer.cfm |
| Revision E | | | | | |
| ARIB | ARIB STD-T64-C.S0011-E v2.0 | 2.0 | Approved | Jul 14 | http://www.arib.or.jp/english/html/overview/doc/STD-T64v6_70/Specification/ARIB_STD-T64-C.S0011-Ev2.0.pdf |
| CCSA | CCSA-TSD-MC-C.S0011-E | 2.0 | Published | Jun 14 | http://www.ccsa.org.cn/english/tc/files.php?docpath=/ITU-R/M.1457/M.1457-12/MC |
| TIA | TIA-98-H-1[E] | 2.0 | Published | Apr 14 | http://www.tiaonline.org/standards/technology/cdma2000/disclaimer.cfm |

5.2.2.1.12 C.S0012**Minimum Performance Standard for Speech Service Option 1**

This specification provides definitions, methods of measurement, and minimum performance requirements for the 8 kbit/s speech codec, C.S0009 (see

§ 5.2.2.1.1.9).

| SDO (2) | Document No. | Version | Status | Issued date | Location (1) |
|-------------------|-----------------------------|---------|-----------|-------------|---|
| CCSA | CCSA-TSD-MC-C.S0012-0 | 1.0 | Published | Dec 99 | http://www.ccsa.org.cn/english/tc/files.php?docpath=/ITU-R/M.1457/M.1457-12/MC |
| Revision 0 | | | | | |
| ARIB | ARIB STD-T64-C.S0012-0 v1.0 | 1.0 | Approved | Jul 14 | http://www.arib.or.jp/english/html/overview/doc/STD-T64v6_70/Specification/ARIB_STD-T64-C.S0012-0v1.0.pdf |
| TIA | TIA/EIA-125-A | 1.0 | Published | Aug 00 | http://www.tiaonline.org/standards/technology/cdma2000/disclaimer.cfm |
| TTA | TTAE.3G-C.S0012 | 1.0 | Approved | Jul 00 | http://www.tta.or.kr/data/ttasDown.jsp?where=14688&pk_num=TTAE.3G-C.S0012 |

5.2.2.1.1.13 C.S0013

Loopback Service Options (LSO) for cdma2000 Spread Spectrum System

This specification defines loopback mechanism used for testing CDMA mobile stations and base stations.

| SDO (2) | Document No. | Version | Status | Issued date | Location (1) |
|-------------------|-----------------------------|---------|-----------|-------------|---|
| Release B | | | | | |
| TTA | TTAT.3G-C.S0013-B v1.0 | 1.0 | Approved | Aug 12 | http://www.tta.or.kr/data/ttasDown.jsp?where=14688&pk_num=TTAT.3G-C.S0013-B v1.0 |
| Revision 0 | | | | | |
| TIA | TIA/EIA-126-C | 1.0 | Published | Aug 00 | http://www.tiaonline.org/standards/technology/cdma2000/disclaimer.cfm |
| TTA | TTAE.3G-C.S0013 | 1.0 | Approved | Jul 00 | http://www.tta.or.kr/data/ttasDown.jsp?where=14688&pk_num=TTAE.3G-C.S0013 |
| Revision A | | | | | |
| ARIB | ARIB STD-T64-C.S0013-A | 1 | Approved | Jul 14 | http://www.arib.or.jp/english/html/overview/doc/STD-T64v6_70/Specification/ARIB_STD-T64-C.S0013-A.pdf |
| CCSA | CCSA-TSD-MC-C.S0013-A | 1.0 | Published | Mar 01 | http://www.ccsa.org.cn/english/tc/files.php?docpath=/ITU-R/M.1457/M.1457-12/MC |
| TIA | TIA/EIA-126-D | 1.0 | Published | Jun 01 | http://www.tiaonline.org/standards/technology/cdma2000/disclaimer.cfm |
| TTA | TTAE.3G-C.S0013-A | 1.0 | Approved | Dec 01 | http://www.tta.or.kr/data/ttasDown.jsp?where=14688&pk_num=TTAE.3G-C.S0013-A |
| Revision B | | | | | |
| ARIB | ARIB STD-T64-C.S0013-B v1.0 | 1.0 | Approved | Jul 14 | http://www.arib.or.jp/english/html/overview/doc/STD-T64v6_70/Specification/ARIB_STD-T64-C.S0013-Bv1.0.pdf |
| CCSA | CCSA-TSD-MC-C.S0013-B | 1.0 | Published | Jun 14 | http://www.ccsa.org.cn/english/tc/files.php?docpath=/ITU-R/M.1457/M.1457-12/MC |
| TIA | TIA-126-E | 1.0 | Published | Dec 11 | http://www.tiaonline.org/standards/technology/cdma2000/disclaimer.cfm |

5.2.2.1.1.14 C.S0014

Enhanced Variable Rate Codec Speech Service Option 3 for Wideband Speech Digital Systems – Addendum 3

This specification defines the Enhanced Variable Rate Speech codec (EVRC) which has a full rate of 8 kbit/s.

| SDO (2) | Document No. | Version | Status | Issued date | Location (1) |
|-------------------|-----------------------------|---------|-----------|-------------|---|
| Release E | | | | | |
| TTA | TTAT.3G-C.S0014-E v1.0 | 1.0 | Approved | Aug 12 | http://www.tta.or.kr/data/ttasDown.jsp?where=14688&pk_num=TTAT.3G-C.S0014-E v1.0 |
| Revision 0 | | | | | |
| ARIB | ARIB STD-T64-C.S0014-0 v1.0 | 1.0 | Approved | Jul 14 | http://www.arib.or.jp/english/html/overview/doc/STD-T64v6_70/Specification/ARIB_STD-T64-C.S0014-0v1.0.pdf |
| TIA | TIA/EIA/IS-127 | 1.0 | Published | Jan 97 | http://www.tiaonline.org/standards/technology/cdma2000/disclaimer.cfm |
| TIA | TIA/EIA/IS-127-3 | 1.0 | Published | Sep 01 | http://www.tiaonline.org/standards/technology/cdma2000/disclaimer.cfm |

526

| | | | | | |
|---------------------|------------------------------|-----|-----------|--------|---|
| TTA | TTAE.3G-C.S0014 | 1.0 | Approved | Jul 00 | http://www.tta.or.kr/data/ttasDown.jsp?where=14688&pk_num=TTAE.3G-C.S0014 |
| Revision 0-1 | | | | | |
| ARIB | ARIB STD-T64-C.S0014-0-1 | 1 | Approved | Jul 14 | http://www.arib.or.jp/english/html/overview/doc/STD-T64v6_70/Specification/ARIB_STD-T64-C.S0014-0-1.pdf |
| Revision A | | | | | |
| ARIB | ARIB STD-T64-C.S0014-A v1.0 | 1.0 | Approved | Jul 14 | http://www.arib.or.jp/english/html/overview/doc/STD-T64v6_70/Specification/ARIB_STD-T64-C.S0014-Av1.0.pdf |
| CCSA | CCSA-TSD-MC-C.S0014-A | 1.0 | Published | Apr 04 | http://www.ccsa.org.cn/english/tc/files.php?docpath=/ITU-R/M.1457/M.1457-12/MC |
| TIA | TIA-127-A | 1.0 | Published | May 04 | http://www.tiaonline.org/standards/technology/cdma2000/disclaimer.cfm |
| TTA | TTAT.3G-C.S0014-A v1.0 | 1.0 | Approved | May 05 | http://www.tta.or.kr/data/ttasDown.jsp?where=14688&pk_num=TTAT.3G-C.S0014-A v1.0 |
| Revision B | | | | | |
| ARIB | ARIB STD-T64-C.S0014-B v1.0 | 1.0 | Approved | Jul 14 | http://www.arib.or.jp/english/html/overview/doc/STD-T64v6_70/Specification/ARIB_STD-T64-C.S0014-Bv1.0.pdf |
| CCSA | CCSA-TSD-MC-C.S0014-B | 1.0 | Published | May 06 | http://www.ccsa.org.cn/english/tc/files.php?docpath=/ITU-R/M.1457/M.1457-12/MC |
| TIA | TIA-127-B | 1.0 | Published | Dec 06 | http://www.tiaonline.org/standards/technology/cdma2000/disclaimer.cfm |
| TTA | TTAT.3G-C.S0014-B v1.0 | 1.0 | Approved | Dec 07 | http://www.tta.or.kr/data/ttasDown.jsp?where=14688&pk_num=TTAT.3G-C.S0014-B v1.0 |
| Revision C | | | | | |
| ARIB | ARIB STD-T64-C.S0014-C v1.0 | 1.0 | Approved | Jul 14 | http://www.arib.or.jp/english/html/overview/doc/STD-T64v6_70/Specification/ARIB_STD-T64-C.S0014-Cv1.0.pdf |
| CCSA | CCSA-TSD-MC-C.S0014-C | 1.0 | Published | Jan 07 | http://www.ccsa.org.cn/english/tc/files.php?docpath=/ITU-R/M.1457/M.1457-12/MC |
| TIA | TIA-127-C | 1.0 | Published | Feb 07 | http://www.tiaonline.org/standards/technology/cdma2000/disclaimer.cfm |
| TTA | TTAT.3G-C.S0014-C v1.0 | 1.0 | Approved | Dec 07 | http://www.tta.or.kr/data/ttasDown.jsp?where=14688&pk_num=TTAT.3G-C.S0014-C v1.0 |
| Revision D | | | | | |
| ARIB | ARIB STD-T64-C.S0014-D v3.0 | 3.0 | Approved | Jul 14 | http://www.arib.or.jp/english/html/overview/doc/STD-T64v6_70/Specification/ARIB_STD-T64-C.S0014-Dv3.0.pdf |
| TIA | TIA-127-D-1 | 3.0 | Published | Nov 11 | http://www.tiaonline.org/standards/technology/cdma2000/disclaimer.cfm |
| TTA | TTAT.3G-C.S0014-D v2.0 | 2.0 | Approved | | http://www.tta.or.kr/data/ttasDown.jsp?where=14688&pk_num=TTAT.3G-C.S0014-D v2.0 |
| Revision E | | | | | |
| ARIB | ARIB STD-T64-C.S0014-E v 1.0 | 1.0 | Approved | Jul 14 | http://www.arib.or.jp/english/html/overview/doc/STD-T64v6_70/Specification/ARIB_STD-T64-C.S0014-Ev1.0.pdf |
| CCSA | CCSA-TSD-MC-C.S0014-E | 1.0 | Published | Jun 14 | http://www.ccsa.org.cn/english/tc/files.php?docpath=/ITU-R/M.1457/M.1457-12/MC |
| TIA | TIA-127-E | 1.0 | Published | Sep 12 | http://www.tiaonline.org/standards/technology/cdma2000/disclaimer.cfm |

ITU-R M.1457-12

5.2.2.1.1.15 C.S0015

Short Message Services for Wideband Spread Spectrum Systems

This specification defines the short message service feature and related procedures.

| SDO (2) | Document No. | Version | Status | Issued date | Location (1) |
|-------------------|-----------------------------|---------|-----------|-------------|---|
| Revision 0 | | | | | |
| TIA | TIA/EIA-637-A | 1.0 | Published | Sep 99 | http://www.tiaonline.org/standards/technology/cdma2000/disclaimer.cfm |
| TTA | TTAE.3G-C.S0015 | 1.0 | Approved | Jul 00 | http://www.tta.or.kr/data/ttasDown.jsp?where=14688&pk_num=TTAE.3G-C.S0015 |
| Revision A | | | | | |
| ARIB | ARIB STD-T64-C.S0015-A v2.0 | 2.0 | Approved | Jul 14 | http://www.arib.or.jp/english/html/overview/doc/STD-T64v6_70/Specification/ARIB_STD-T64-C.S0015-Av2.0.pdf |
| CCSA | CCSA-TSD-MC-C.S0015-A | 2.0 | Published | Sep 05 | http://www.ccsa.org.cn/english/tc/files.php?docpath=/ITU-R/M.1457/M.1457-12/MC |
| TIA | TIA-637-B-1[E] | 2.0 | Published | Nov 06 | http://www.tiaonline.org/standards/technology/cdma2000/disclaimer.cfm |
| TTA | TTAT.3G-C.S0015-A v2.0 | 2.0 | Approved | Dec 07 | http://www.tta.or.kr/data/ttasDown.jsp?where=14688&pk_num=TTAT.3G-C.S0015-A v2.0 |
| Revision B | | | | | |
| ARIB | ARIB STD-T64-C.S0015-B v2.0 | 2.0 | Approved | Jul 14 | http://www.arib.or.jp/english/html/overview/doc/STD-T64v6_70/Specification/ARIB_STD-T64-C.S0015-Bv2.0.pdf |
| CCSA | CCSA-TSD-MC-C.S0015-B | 2.0 | Published | Sep 05 | http://www.ccsa.org.cn/english/tc/files.php?docpath=/ITU-R/M.1457/M.1457-12/MC |

| | | | | | |
|-------------------|-----------------------------|-----|-----------|--------|---|
| TIA | TIA-637-C-1[E] | 2.0 | Published | Feb 07 | http://www.tiaonline.org/standards/technology/cdma2000/disclaimer.cfm |
| TTA | TTAT.3G-C.S0015-B v2.0 | 2.0 | Approved | Dec 07 | http://www.tta.or.kr/data/ttasDown.jsp?where=14688&pk_num=TTAT.3G-C.S0015-B v2.0 |
| Revision C | | | | | |
| ARIB | ARIB STD-T64-C.S0015-C v1.0 | 1.0 | Approved | Jul 14 | http://www.arib.or.jp/english/html/overview/doc/STD-T64v6_70/Specification/ARIB_STD-T64-C.S0015-Cv1.0.pdf |
| CCSA | CCSA-TSD-MC-C.S0015-C | 1.0 | Published | Jun 14 | http://www.ccsa.org.cn/english/tc/files.php?docpath=/ITU-R/M.1457/M.1457-12/MC |
| TIA | TIA-637-D | 1.0 | Published | Jan 13 | http://www.tiaonline.org/standards/technology/cdma2000/disclaimer.cfm |

5.2.2.1.1.16 C.S0016

Over-the Air Provisioning of Mobile Stations in Spread Spectrum Systems

This specification defines the over-the-air service provisioning (OTASP) feature and related procedures. This includes over-the-air provisioning of operational parameters, system selection for preferred roaming, and service programming locks.

| SDO (2) | Document No. | Version | Status | Issued date | Location (1) |
|-------------------|-----------------------------|---------|-----------|-------------|---|
| Revision 0 | | | | | |
| TIA | TIA/EIA/IS-683-A | 1.0 | Published | Jun 98 | http://www.tiaonline.org/standards/technology/cdma2000/disclaimer.cfm |
| TTA | TTAE.3G-C.S0016 | 1.0 | Approved | Jul 00 | http://www.tta.or.kr/data/ttasDown.jsp?where=14688&pk_num=TTAE.3G-C.S0016 |
| Revision A | | | | | |
| ARIB | ARIB STD-T64-C.S0016-A v2.0 | 2.0 | Approved | Jul 14 | http://www.arib.or.jp/english/html/overview/doc/STD-T64v6_70/Specification/ARIB_STD-T64-C.S0016-Av2.0.pdf |
| CCSA | CCSA-TSD-MC-C.S0016-A | 2.0 | Published | Dec 01 | http://www.ccsa.org.cn/english/tc/files.php?docpath=/ITU-R/M.1457/M.1457-12/MC |
| TIA | TIA/EIA-683-B | 2.0 | Published | Dec 01 | http://www.tiaonline.org/standards/technology/cdma2000/disclaimer.cfm |
| TTA | TTAE.3G-C.S0016-A v2.0 | 2.0 | Approved | Dec 01 | http://www.tta.or.kr/data/ttasDown.jsp?where=14688&pk_num=TTAE.3G-C.S0016-A v2.0 |
| Revision B | | | | | |
| ARIB | ARIB STD-T64-C.S0016-B v1.0 | 1.0 | Approved | Jul 14 | http://www.arib.or.jp/english/html/overview/doc/STD-T64v6_70/Specification/ARIB_STD-T64-C.S0016-Bv1.0.pdf |
| CCSA | CCSA-TSD-MC-C.S0016-B | 1.0 | Published | Oct 02 | http://www.ccsa.org.cn/english/tc/files.php?docpath=/ITU-R/M.1457/M.1457-12/MC |
| TIA | TIA-683-C | 1.0 | Published | Mar 03 | http://www.tiaonline.org/standards/technology/cdma2000/disclaimer.cfm |
| TTA | TTAT.3G-C.S0016-B v1.0 | 1.0 | Approved | May 05 | http://www.tta.or.kr/data/ttasDown.jsp?where=14688&pk_num=TTAT.3G-C.S0016-B v1.0 |
| Revision C | | | | | |
| ARIB | ARIB STD-T64-C.S0016-C v2.0 | 2.0 | Approved | Jul 14 | http://www.arib.or.jp/english/html/overview/doc/STD-T64v6_70/Specification/ARIB_STD-T64-C.S0016-Cv2.0.pdf |
| CCSA | CCSA-TSD-MC-C.S0016-C | 2.0 | Published | Oct 08 | http://www.ccsa.org.cn/english/tc/files.php?docpath=/ITU-R/M.1457/M.1457-12/MC |
| TIA | TIA-683-D | 1.0 | Published | May 06 | http://www.tiaonline.org/standards/technology/cdma2000/disclaimer.cfm |
| TTA | TTAT.3G-C.S0016-C v2.0 | 2.0 | Approved | Jul 09 | http://www.tta.or.kr/data/ttasDown.jsp?where=14688&pk_num=TTAT.3G-C.S0016-C v2.0 |
| Revision D | | | | | |
| ARIB | ARIB STD-T64-C.S0016-D v2.0 | 2.0 | Approved | Jul 14 | http://www.arib.or.jp/english/html/overview/doc/STD-T64v6_70/Specification/ARIB_STD-T64-C.S0016-Dv2.0.pdf |
| CCSA | CCSA-TSD-MC-C.S0016-D | 2.0 | Published | Jun 14 | http://www.ccsa.org.cn/english/tc/files.php?docpath=/ITU-R/M.1457/M.1457-12/MC |
| TIA | TIA-683-E-1[E] | 2.0 | Published | May 12 | http://www.tiaonline.org/standards/technology/cdma2000/disclaimer.cfm |
| TTA | TTAT.3G-C.S0016-D v1.0 | 1.0 | Approved | Oct 10 | http://www.tta.or.kr/data/ttasDown.jsp?where=14688&pk_num=TTAT.3G-C.S0016-D v1.0 |

5.2.2.1.1.17 C.S0017

Data Service Options for Spread Spectrum Systems

This specification defines the CDMA data services, which include asynchronous and synchronous circuit switched data, packet data, and analog fax. This specification includes the definition of the protocol stack, and specifications for the various protocol layers.

| SDO (2) | Document No. | Version | Status | Issued date | Location (1) |
|---------------------|---------------------------------|---------|-----------|-------------|---|
| CCSA | CCSA-TSD-MC-C.S0017-0 | 5.0 | Published | Feb 03 | http://www.ccsa.org.cn/english/tc/files.php?docpath=/ITU-R/M.1457/M.1457-12/MC |
| Revision 0 | | | | | |
| ARIB | ARIB STD-T64-C.S0017-0 | 0 | Approved | Jul 14 | http://www.arib.or.jp/english/html/overview/doc/STD-T64v6_70/Specification/ARIB_STD-T64-C.S0017-0.pdf |
| ARIB | ARIB STD-T64-C.S0017-0 v5.0 | 5.0 | Approved | Jul 14 | http://www.arib.or.jp/english/html/overview/doc/STD-T64v6_70/Specification/ARIB_STD-T64-C.S0017-0v5.0.pdf |
| ARIB | ARIB STD-T64-C.S0017-010-0 v3.0 | 3.0 | Approved | Jul 14 | http://www.arib.or.jp/english/html/overview/doc/STD-T64v6_70/Specification/ARIB_STD-T64-C.S0017-010-0v3.0 |
| TIA | TIA/EIA/IS-707-A | | Published | Apr 99 | http://www.tiaonline.org/standards/technology/cdma2000/disclaimer.cfm |
| TIA | TIA/EIA/IS-707-A-1 | 1.0 | Published | Dec 99 | http://www.tiaonline.org/standards/technology/cdma2000/disclaimer.cfm |
| TIA | TIA/IS-707-A-3 | 5.0 | Published | Feb 03 | http://www.tiaonline.org/standards/technology/cdma2000/disclaimer.cfm |
| TIA | TIA-707-A-4[E] | 3.0 | Published | Apr 13 | http://www.tiaonline.org/standards/technology/cdma2000/disclaimer.cfm |
| TIA | TIA/EIA/IS-707-A-2 | 2.0 | Published | Mar 01 | http://www.tiaonline.org/standards/technology/cdma2000/disclaimer.cfm |
| TTA | TTAT.3G-C.S0017-0 v5.0 | 5.0 | Approved | May 04 | http://www.tta.or.kr/data/ttasDown.jsp?where=14688&pk_num=TTAT.3G-C.S0017-0 v5.0 |
| TTA | TTAT.3G-C.S0017-010-0 v3.0 | 3.0 | Published | | http://www.tta.or.kr/data/ttasDown.jsp?where=14688&pk_num=TTAT.3G-C.S0017-010-0 v3.0 |
| Revision 0-1 | | | | | |
| ARIB | ARIB STD-T64-C.S0017-0-1 | 1 | Approved | Jul 14 | http://www.arib.or.jp/english/html/overview/doc/STD-T64v6_70/Specification/ARIB_STD-T64-C.S0017-0-1.pdf |
| Revision 0-2 | | | | | |
| ARIB | ARIB STD-T64-C.S0017-0-2 | 2 | Approved | Jul 14 | http://www.arib.or.jp/english/html/overview/doc/STD-T64v6_70/Specification/ARIB_STD-T64-C.S0017-0-2v2.0.pdf |
| Revision A | | | | | |
| ARIB | ARIB STD-T64-C.S0017-007-A v1.0 | 1.0 | Approved | Jul 14 | http://www.arib.or.jp/english/html/overview/doc/STD-T64v6_70/Specification/ARIB_STD-T64-C.S0017-007-v1.0 |
| ARIB | ARIB STD-T64-C.S0017-012-A v2.0 | 2.0 | Approved | Jul 14 | http://www.arib.or.jp/english/html/overview/doc/STD-T64v6_70/Specification/ARIB_STD-T64-C.S0017-012-v2.0 |
| ARIB | ARIB STD-T64-C.S0017-005-A v1.0 | 1.0 | Approved | Jul 14 | http://www.arib.or.jp/english/html/overview/doc/STD-T64v6_70/Specification/ARIB_STD-T64-C.S0017-005-v1.0 |
| ARIB | ARIB STD-T64-C.S0017-003-A v1.0 | 1.0 | Approved | Jul 14 | http://www.arib.or.jp/english/html/overview/doc/STD-T64v6_70/Specification/ARIB_STD-T64-C.S0017-003-v1.0 |
| ARIB | ARIB STD-T64-C.S0017-011-A v1.0 | 1.0 | Approved | Jul 14 | http://www.arib.or.jp/english/html/overview/doc/STD-T64v6_70/Specification/ARIB_STD-T64-C.S0017-011-v1.0 |
| ARIB | ARIB STD-T64-C.S0017-001-A v1.0 | 1.0 | Approved | Jul 14 | http://www.arib.or.jp/english/html/overview/doc/STD-T64v6_70/Specification/ARIB_STD-T64-C.S0017-001-v1.0 |
| ARIB | ARIB STD-T64-C.S0017-004-A v1.0 | 1.0 | Approved | Jul 14 | http://www.arib.or.jp/english/html/overview/doc/STD-T64v6_70/Specification/ARIB_STD-T64-C.S0017-004-v1.0 |
| ARIB | ARIB STD-T64-C.S0017-009-A v1.0 | 1.0 | Approved | Jul 14 | http://www.arib.or.jp/english/html/overview/doc/STD-T64v6_70/Specification/ARIB_STD-T64-C.S0017-009-v1.0 |
| ARIB | ARIB STD-T64-C.S0017-010-A v2.0 | 2.0 | Approved | Jul 14 | http://www.arib.or.jp/english/html/overview/doc/STD-T64v6_70/Specification/ARIB_STD-T64-C.S0017-010-v2.0 |
| CCSA | CCSA-TSD-MC-C.S0017-001-A | 1.0 | Published | Jun 04 | http://www.ccsa.org.cn/english/tc/files.php?docpath=/ITU-R/M.1457/M.1457-12/MC |
| CCSA | CCSA-TSD-MC-C.S0017-012-A | 2.0 | Published | May 06 | http://www.ccsa.org.cn/english/tc/files.php?docpath=/ITU-R/M.1457/M.1457-12/MC |
| CCSA | CCSA-TSD-MC-C.S0017-010-A | 2.0 | Published | Sep 05 | http://www.ccsa.org.cn/english/tc/files.php?docpath=/ITU-R/M.1457/M.1457-12/MC |
| CCSA | CCSA-TSD-MC-C.S0017-003-A | 1.0 | Published | Jun 04 | http://www.ccsa.org.cn/english/tc/files.php?docpath=/ITU-R/M.1457/M.1457-12/MC |
| CCSA | CCSA-TSD-MC-C.S0017-009-A | 1.0 | Published | Jun 04 | http://www.ccsa.org.cn/english/tc/files.php?docpath=/ITU-R/M.1457/M.1457-12/MC |
| CCSA | CCSA-TSD-MC-C.S0017-005-A | 1.0 | Published | Jun 04 | http://www.ccsa.org.cn/english/tc/files.php?docpath=/ITU-R/M.1457/M.1457-12/MC |
| CCSA | CCSA-TSD-MC-C.S0017-011-A | 1.0 | Published | Jun 04 | http://www.ccsa.org.cn/english/tc/files.php?docpath=/ITU-R/M.1457/M.1457-12/MC |

| | | | | | |
|------|----------------------------|-----|-----------|--------|---|
| CCSA | CCSA-TSD-MC-C.S0017-004-A | 1.0 | Published | Jun 04 | http://www.ccsa.org.cn/english/tc/files.php?docpath=/ITU-R/M.1457/M.1457-12/MC |
| CCSA | CCSA-TSD-MC-C.S0017-007-A | 1.0 | Published | Jun 04 | http://www.ccsa.org.cn/english/tc/files.php?docpath=/ITU-R/M.1457/M.1457-12/MC |
| TIA | TIA-707.01-B | 1.0 | Published | Sep 09 | http://www.tiaonline.org/standards/technology/cdma2000/disclaimer.cfm |
| TIA | TIA-707.04-B | 1.0 | Published | Mar 10 | http://www.tiaonline.org/standards/technology/cdma2000/disclaimer.cfm |
| TIA | TIA-707.07-B | 1.0 | Published | Sep 09 | http://www.tiaonline.org/standards/technology/cdma2000/disclaimer.cfm |
| TIA | TIA-707.05-B | 1.0 | Published | Mar 10 | http://www.tiaonline.org/standards/technology/cdma2000/disclaimer.cfm |
| TIA | TIA-707.03-B | 1.0 | Published | Mar 10 | http://www.tiaonline.org/standards/technology/cdma2000/disclaimer.cfm |
| TIA | TIA-707.11-B | 1.0 | Published | Mar 12 | http://www.tiaonline.org/standards/technology/cdma2000/disclaimer.cfm |
| TIA | TIA-707.09-B | 1.0 | Published | Sep 09 | http://www.tiaonline.org/standards/technology/cdma2000/disclaimer.cfm |
| TIA | TIA-707.12-B-1[E] | 2.0 | Published | Jun 06 | http://www.tiaonline.org/standards/technology/cdma2000/disclaimer.cfm |
| TIA | TIA-707.10-B-1[E] | 2.0 | Published | Jun 06 | http://www.tiaonline.org/standards/technology/cdma2000/disclaimer.cfm |
| TTA | TTAT.3G-C.S0017-001-A v1.0 | 1.0 | Approved | May 05 | http://www.tta.or.kr/data/ttasDown.jsp?where=14688&pk_num=TTAT.3G-C.S0017-001-A v1.0 |

5.2.2.1.1.18 C.S0018

Minimum Performance Specification for Enhanced Variable Rate Codec (EVRC) Speech Option 3 for Spread Spectrum Systems

This specification provides definitions, methods of measurement, and minimum performance requirements for the EVRC speech codec, C.S0014 (see § 5.2.2.1.1.14).

| SDO (2) | Document No. | Version | Status | Issued date | Location (1) |
|-------------------|-----------------------------|---------|-----------|-------------|---|
| Release A | | | | | |
| TTA | TTAT.3G-C.S0018-A v1.0 | 1.0 | Approved | Aug 12 | http://www.tta.or.kr/data/ttasDown.jsp?where=14688&pk_num=TTAT.3G-C.S0018-A v1.0 |
| Revision 0 | | | | | |
| ARIB | ARIB STD-T64-C.S0018-0 v1.0 | 1.0 | Approved | Jul 14 | http://www.arib.or.jp/english/html/overview/doc/STD-T64v6_70/Specification/ARIB_STD-T64-C.S0018-0v1.0.pdf |
| TIA | TIA/EIA/IS-718 | 1.0 | Published | Jul 98 | http://www.tiaonline.org/standards/technology/cdma2000/disclaimer.cfm |
| TTA | TTAE.3G-C.S0018 | 1.0 | Approved | Jul 00 | http://www.tta.or.kr/data/ttasDown.jsp?where=14688&pk_num=TTAE.3G-C.S0018 |
| Revision B | | | | | |
| ARIB | ARIB STD-T64-C.S0018-B v1.0 | 1.0 | Approved | Jul 14 | http://www.arib.or.jp/english/html/overview/doc/STD-T64v6_70/Specification/ARIB_STD-T64-C.S0018-Bv1.0.pdf |
| CCSA | CCSA-TSD-MC-C.S0018-B | 1.0 | Published | Jul 07 | http://www.ccsa.org.cn/english/tc/files.php?docpath=/ITU-R/M.1457/M.1457-12/MC |
| TIA | TIA/EIA/IS-718-B | 1.0 | Published | Oct 07 | http://www.tiaonline.org/standards/technology/cdma2000/disclaimer.cfm |
| TTA | TTAT.3G-C.S0018-B v1.0 | 1.0 | Approved | Dec 07 | http://www.tta.or.kr/data/ttasDown.jsp?where=14688&pk_num=TTAT.3G-C.S0018-B v1.0 |
| Revision C | | | | | |
| ARIB | ARIB STD-T64-C.S0018-C v1.0 | 1.0 | Approved | Jul 14 | http://www.arib.or.jp/english/html/overview/doc/STD-T64v6_70/Specification/ARIB_STD-T64-C.S0018-Cv1.0.pdf |
| CCSA | CCSA-TSD-MC-C.S0018-C | 1.0 | Published | Dec 07 | http://www.ccsa.org.cn/english/tc/files.php?docpath=/ITU-R/M.1457/M.1457-12/MC |
| TIA | TIA/EIA/IS-718-C | 1.0 | Published | Apr 08 | http://www.tiaonline.org/standards/technology/cdma2000/disclaimer.cfm |
| TTA | TTAT.3G-C.S0018-C v1.0 | 1.0 | Approved | Oct 10 | http://www.tta.or.kr/data/ttasDown.jsp?where=14688&pk_num=TTAT.3G-C.S0018-C v1.0 |
| Revision D | | | | | |
| ARIB | ARIB STD-T64-C.S0018-D v1.0 | 1.0 | Approved | Jul 14 | http://www.arib.or.jp/english/html/overview/doc/STD-T64v6_70/Specification/ARIB_STD-T64-C.S0018-Dv1.0.pdf |
| TIA | TIA-718-D | 1.0 | Published | May 11 | http://www.tiaonline.org/standards/technology/cdma2000/disclaimer.cfm |
| TTA | TTAT.3G-C.S0018-D v1.0 | 1.0 | Approved | Oct 10 | http://www.tta.or.kr/data/ttasDown.jsp?where=14688&pk_num=TTAT.3G-C.S0018-D v1.0 |
| Revision E | | | | | |
| ARIB | ARIB STD-T64-C.S0018-E v2.0 | 2.0 | Approved | Jul 14 | http://www.arib.or.jp/english/html/overview/doc/STD-T64v6_70/Specification/ARIB_STD-T64-C.S0018-Ev2.0.pdf |
| CCSA | CCSA-TSD-MC-C.S0018-E | 2.0 | Published | Jun 14 | http://www.ccsa.org.cn/english/tc/files.php?docpath=/ITU-R/M.1457/M.1457-12/MC |
| TIA | TIA-718-E-1[E] | 2.0 | Published | Dec 13 | http://www.tiaonline.org/standards/technology/cdma2000/disclaimer.cfm |

5.2.2.1.1.19 C.S0020**High Rate Speech Service Option 17 for Wideband Spread Spectrum Communication Systems – Addendum 2**

This specification defines the high rate variable rate speech codec which has a full rate of 13 kbit/s.

| SDO (2) | Document No. | Version | Status | Issued date | Location (1) |
|-------------------|-----------------------------|---------|-----------|-------------|---|
| Revision 0 | | | | | |
| ARIB | ARIB STD-T64-C.S0020-0 | 1 | Approved | Jul 14 | http://www.arib.or.jp/english/html/overview/doc/STD-T64v6_70/Specification/ARIB_STD-T64-C.S0020-0.pdf |
| TIA | TIA/EIA/IS-733 | | Published | Mar 98 | http://www.tiaonline.org/standards/technology/cdma2000/disclaimer.cfm |
| TIA | TIA/EIA/IS-733-2 | 2.0 | Published | Sep 01 | http://www.tiaonline.org/standards/technology/cdma2000/disclaimer.cfm |
| TTA | TTAT.3G-C.S0020-0-2 V1.0 | 1.0 | Approved | May 03 | http://www.tta.or.kr/data/ttasDown.jsp?where=14688&pk_num=TTAT.3G-C.S0020-0-2 V1.0 |
| Revision A | | | | | |
| ARIB | ARIB STD-T64-C.S0020-A v1.0 | 1.0 | Approved | Jul 14 | http://www.arib.or.jp/english/html/overview/doc/STD-T64v6_70/Specification/ARIB_STD-T64-C.S0020-Av1.0.pdf |
| CCSA | CCSA-TSD-MC-C.S0020-A | 1.0 | Published | Apr 04 | http://www.ccsa.org.cn/english/tc/files.php?docpath=/ITU-R/M.1457/M.1457-12/MC |
| TIA | TIA-733-A | 1.0 | Published | May 04 | http://www.tiaonline.org/standards/technology/cdma2000/disclaimer.cfm |
| TTA | TTAT.3G-C.S0020-A v1.0 | 1.0 | Approved | May 05 | http://www.tta.or.kr/data/ttasDown.jsp?where=14688&pk_num=TTAT.3G-C.S0020-A v1.0 |

5.2.2.1.1.20 C.S0021**Recommended Minimum Performance Standard for the High Rate Speech Option 17 for Wideband Spread Spectrum Communication Systems**

This specification provides definitions, methods of measurement, and minimum performance requirements for the 13 kbit/s variable-rate speech codec, C.S0020 (see § 5.2.2.1.1.19).

| SDO (2) | Document No. | Version | Status | Issued date | Location (1) |
|-------------------|-----------------------------|---------|-----------|-------------|---|
| CCSA | CCSA-TSD-MC-C.S0021-0 | 1.0 | Published | Dec 99 | http://www.ccsa.org.cn/english/tc/files.php?docpath=/ITU-R/M.1457/M.1457-12/MC |
| Revision 0 | | | | | |
| ARIB | ARIB STD-T64-C.S0021-0 v1.0 | 1.0 | Approved | Jul 14 | http://www.arib.or.jp/english/html/overview/doc/STD-T64v6_70/Specification/ARIB_STD-T64-C.S0021-0v1.0.pdf |
| TIA | TIA/EIA-736-A | 1.0 | Published | Aug 00 | http://www.tiaonline.org/standards/technology/cdma2000/disclaimer.cfm |
| TTA | TTAE.3G-C.S0021 | 1.0 | Approved | Jul 00 | http://www.tta.or.kr/data/ttasDown.jsp?where=14688&pk_num=TTAE.3G-C.S0021 |

5.2.2.1.1.21 C.S0022**Position Determination Service Standard for Dual Mode Spread Spectrum Systems**

This specification defines the position location feature which provides the capability to locate the mobile station. This specification supports automatic forward link triangulation and GPS position location mechanisms.

| SDO (2) | Document No. | Version | Status | Issued date | Location (1) |
|-------------------|-----------------------------|---------|-----------|-------------|---|
| CCSA | CCSA-TSD-MC-C.S0022-0 | 3.0 | Published | Feb 01 | http://www.ccsa.org.cn/english/tc/files.php?docpath=/ITU-R/M.1457/M.1457-12/MC |
| Revision 0 | | | | | |
| ARIB | ARIB STD-T64-C.S0022-0 v3.0 | 3.0 | Approved | Jul 14 | http://www.arib.or.jp/english/html/overview/doc/STD-T64v6_70/Specification/ARIB_STD-T64-C.S0022-0v3.0.pdf |
| TIA | TIA/EIA/IS-801-1 | 3.0 | Published | Mar 01 | http://www.tiaonline.org/standards/technology/cdma2000/disclaimer.cfm |
| TTA | TTAT.3G-C.S0022-0 v3.0 | 3.0 | Approved | May 04 | http://www.tta.or.kr/data/ttasDown.jsp?where=14688&pk_num=TTAT.3G-C.S0022-0 v3.0 |

Revision A

| | | | | | |
|------|-----------------------------|-----|-----------|--------|---|
| ARIB | ARIB STD-T64-C.S0022-A v1.0 | 1.0 | Approved | Jul 14 | http://www.arib.or.jp/english/html/overview/doc/STD-T64v6_70/Specification/ARIB_STD-T64-C.S0022-Av1.0.pdf |
| CCSA | CCSA-TSD-MC-C.S0022-A | 1.0 | Published | Mar 04 | http://www.ccsa.org.cn/english/tc/files.php?docpath=/ITU-R/M.1457/M.1457-12/MC |
| TIA | TIA-801-A | 1.0 | Published | Apr 04 | http://www.tiaonline.org/standards/technology/cdma2000/disclaimer.cfm |
| TTA | TTAT.3G-C.S0022-A v1.0 | 1.0 | Approved | May 05 | http://www.tta.or.kr/data/ttasDown.jsp?where=14688&pk_num=TTAT.3G-C.S0022-A v1.0 |

Revision B

| | | | | | |
|------|-----------------------------|-----|-----------|--------|---|
| ARIB | ARIB STD-T64-C.S0022-B v2.0 | 2.0 | Approved | Jul 14 | http://www.arib.or.jp/english/html/overview/doc/STD-T64v6_70/Specification/ARIB_STD-T64-C.S0022-Bv2.0.pdf |
| CCSA | CCSA-TSD-MC-C.S0022-B | 1.0 | Published | Mar 10 | http://www.ccsa.org.cn/english/tc/files.php?docpath=/ITU-R/M.1457/M.1457-12/MC |
| TIA | TIA-801-B-1[E] | 2.0 | Published | May 12 | http://www.tiaonline.org/standards/technology/cdma2000/disclaimer.cfm |
| TTA | TTAT.3G-C.S0022-B v1.0 | 1.0 | Approved | Jul 09 | http://www.tta.or.kr/data/ttasDown.jsp?where=14688&pk_num=TTAT.3G-C.S0022-B v1.0 |

5.2.2.1.1.22 C.S0023**Removable User Identity Module (R-UIM) for cdma2000 Spread Spectrum Systems**

This specification provides requirements for removable user identity modules (R-UIM).

| SDO (2) | Document No. | Version | Status | Issued date | Location (1) |
|-------------------|-----------------------------|---------|-----------|-------------|---|
| Revision 0 | | | | | |
| ARIB | ARIB STD-T64-C.S0023-0 v4.0 | 4.0 | Approved | Jul 14 | http://www.arib.or.jp/english/html/overview/doc/STD-T64v6_70/Specification/ARIB_STD-T64-C.S0023-0v4.0.pdf |
| TIA | TIA/EIA/IS-820 | 2.0 | Published | May 00 | http://www.tiaonline.org/standards/technology/cdma2000/disclaimer.cfm |
| TIA | TIA/EIA/IS-820-1 | 4.0 | Published | Jun 01 | http://www.tiaonline.org/standards/technology/cdma2000/disclaimer.cfm |
| Revision A | | | | | |
| ARIB | ARIB STD-T64-C.S0023-A v3.0 | 3.0 | Approved | Jul 14 | http://www.arib.or.jp/english/html/overview/doc/STD-T64v6_70/Specification/ARIB_STD-T64-C.S0023-Av3.0.pdf |
| CCSA | CCSA-TSD-MC-C.S0023-A | 3.0 | Published | Dec 04 | http://www.ccsa.org.cn/english/tc/files.php?docpath=/ITU-R/M.1457/M.1457-12/MC |
| TIA | TIA-820-A-2 | 3.0 | Published | Feb 05 | http://www.tiaonline.org/standards/technology/cdma2000/disclaimer.cfm |
| TTA | TTAT.3G-C.S0023-A v3.0 | 3.0 | Approved | May 05 | http://www.tta.or.kr/data/ttasDown.jsp?where=14688&pk_num=TTAT.3G-C.S0023-A v3.0 |
| Revision B | | | | | |
| ARIB | ARIB STD-T64-C.S0023-B v1.0 | 1.0 | Approved | Jul 14 | http://www.arib.or.jp/english/html/overview/doc/STD-T64v6_70/Specification/ARIB_STD-T64-C.S0023-Bv1.0.pdf |
| CCSA | CCSA-TSD-MC-C.S0023-B | 1.0 | Published | Apr 04 | http://www.ccsa.org.cn/english/tc/files.php?docpath=/ITU-R/M.1457/M.1457-12/MC |
| TIA | TIA-820-B | 1.0 | Published | May 04 | http://www.tiaonline.org/standards/technology/cdma2000/disclaimer.cfm |
| TTA | TTAT.3G-C.S0023-B v1.0 | 1.0 | Approved | May 05 | http://www.tta.or.kr/data/ttasDown.jsp?where=14688&pk_num=TTAT.3G-C.S0023-B v1.0 |
| Revision C | | | | | |
| ARIB | ARIB STD-T64-C.S0023-C v2.0 | 2.0 | Approved | Jul 14 | http://www.arib.or.jp/english/html/overview/doc/STD-T64v6_70/Specification/ARIB_STD-T64-C.S0023-Cv2.0.pdf |
| CCSA | CCSA-TSD-MC-C.S0023-C | 2.0 | Published | Oct 08 | http://www.ccsa.org.cn/english/tc/files.php?docpath=/ITU-R/M.1457/M.1457-12/MC |
| TIA | TIA-820-C-1[E] | 2.0 | Published | Nov 11 | http://www.tiaonline.org/standards/technology/cdma2000/disclaimer.cfm |
| TTA | TTAT.3G-C.S0023-C v2.0 | 2.0 | Approved | Jul 09 | http://www.tta.or.kr/data/ttasDown.jsp?where=14688&pk_num=TTAT.3G-C.S0023-C v2.0 |
| Revision D | | | | | |
| ARIB | ARIB STD-T64-C.S0023-D v3.0 | 3.0 | Approved | Jul 14 | http://www.arib.or.jp/english/html/overview/doc/STD-T64v6_70/Specification/ARIB_STD-T64-C.S0023-Dv3.0.pdf |
| TIA | TIA-820-D-2[E] | 3.0 | Published | Jan 14 | http://www.tiaonline.org/standards/technology/cdma2000/disclaimer.cfm |
| TTA | TTAT.3G-C.S0023-D v3.0 | 3.0 | Published | | http://www.tta.or.kr/data/ttasDown.jsp?where=14688&pk_num=TTAT.3G-C.S0023-D v3.0 |
| TTA | TTAT.3G-C.S0023-D v1.0 | 1.0 | Approved | Oct 10 | http://www.tta.or.kr/data/ttasDown.jsp?where=14688&pk_num=TTAT.3G-C.S0023-D v1.0 |

5.2.2.1.1.23 C.S0024

cdma2000 High Rate Packet Data Air Interface Specification

This specification provides description for high speech packet access.

| SDO (2) | Document No. | Version | Status | Issued date | Location (1) |
|-------------------|-----------------------------|---------|-----------|-------------|---|
| Revision 0 | | | | | |
| ARIB | ARIB STD-T64-C.S0024-0 v4.0 | 4.0 | Approved | Jul 14 | http://www.arib.or.jp/english/html/overview/doc/STD-T64v6_70/Specification/ARIB_STD-T64-C.S0024-0v4.0.pdf |
| TIA | TIA-856-2[E] | 4.0 | Published | Mar 04 | http://www.tiaonline.org/standards/technology/cdma2000/disclaimer.cfm |
| TTA | TTAT.3G-C.S0024-0 V4.0 | 4.0 | Approved | May 03 | http://www.tta.or.kr/data/ttasDown.jsp?where=14688&pk_num=TTAT.3G-C.S0024-0 V4.0 |
| Revision A | | | | | |
| ARIB | ARIB STD-T64-C.S0024-A v3.0 | 3.0 | Approved | Jul 14 | http://www.arib.or.jp/english/html/overview/doc/STD-T64v6_70/Specification/ARIB_STD-T64-C.S0024-Av3.0.pdf |
| CCSA | CCSA-TSD-MC-C.S0024-A | 3.0 | Published | Sep 06 | http://www.ccsa.org.cn/english/tc/files.php?docpath=/ITU-R/M.1457/M.1457-12/MC |
| TIA | TIA-856-A-2 | 3.0 | Published | Aug 07 | http://www.tiaonline.org/standards/technology/cdma2000/disclaimer.cfm |
| TTA | TTAT.3G-C.S0024-A v3.0 | 3.0 | Approved | Dec 07 | http://www.tta.or.kr/data/ttasDown.jsp?where=14688&pk_num=TTAT.3G-C.S0024-A v3.0 |
| Revision B | | | | | |
| ARIB | ARIB STD-T64-C.S0024-B v3.0 | 3.0 | Approved | Jul 14 | http://www.arib.or.jp/english/html/overview/doc/STD-T64v6_70/Specification/ARIB_STD-T64-C.S0024-Bv3.0.pdf |
| CCSA | CCSA-TSD-MC-C.S0024-B | 3.0 | Published | Mar 10 | http://www.ccsa.org.cn/english/tc/files.php?docpath=/ITU-R/M.1457/M.1457-12/MC |
| TIA | TIA-856-B-2[E] | 3.0 | Published | Mar 11 | http://www.tiaonline.org/standards/technology/cdma2000/disclaimer.cfm |
| TTA | TTAT.3G-C.S0024-B v2.0 | 2.0 | Approved | Dec 07 | http://www.tta.or.kr/data/ttasDown.jsp?where=14688&pk_num=TTAT.3G-C.S0024-B v2.0 |
| Revision C | | | | | |
| TIA | TIA-856.300-C-1[E] | 2.0 | Published | Nov 11 | http://www.tiaonline.org/standards/technology/cdma2000/disclaimer.cfm |
| TIA | TIA-856-200-C-1 | 2.0 | Published | Feb 12 | http://www.tiaonline.org/standards/technology/cdma2000/disclaimer.cfm |
| TIA | TIA-856-500-C-1 | 2.0 | Published | Nov 11 | http://www.tiaonline.org/standards/technology/cdma2000/disclaimer.cfm |
| TIA | TIA-856-400-C-1[E] | 2.0 | Published | Nov 11 | http://www.tiaonline.org/standards/technology/cdma2000/disclaimer.cfm |
| TIA | TIA-856-100-C-1 | 2.0 | Published | Nov 11 | http://www.tiaonline.org/standards/technology/cdma2000/disclaimer.cfm |

5.2.2.1.1.24 C.S0025

Markov Service Option (MSO) for cdma2000 Spread Spectrum Systems

This document specifies procedures for the Markov Service Option (MSO).

| SDO (2) | Document No. | Version | Status | Issued date | Location (1) |
|-------------------|-----------------------------|---------|-----------|-------------|---|
| CCSA | CCSA-TSD-MC-C.S0025-0 | 2.0 | Published | Apr 06 | http://www.ccsa.org.cn/english/tc/files.php?docpath=/ITU-R/M.1457/M.1457-12/MC |
| TTA | TTAT.3G-C.S0025-A v1.0 | 1.0 | Approved | Aug 12 | http://www.tta.or.kr/data/ttasDown.jsp?where=14688&pk_num=TTAT.3G-C.S0025-A v1.0 |
| Revision 0 | | | | | |
| ARIB | ARIB STD-T64-C.S0025-0 v2.0 | 2.0 | Approved | Jul 14 | http://www.arib.or.jp/english/html/overview/doc/STD-T64v6_70/Specification/ARIB_STD-T64-C.S0025-0v2.0.pdf |
| TIA | TIA/EIA/IS-871-1 | 2.0 | Published | Oct 09 | http://www.tiaonline.org/standards/technology/cdma2000/disclaimer.cfm |
| TTA | TTAT.3G-C.S0025-0 v2.0 | 2.0 | Approved | Dec 07 | http://www.tta.or.kr/data/ttasDown.jsp?where=14688&pk_num=TTAT.3G-C.S0025-0 v2.0 |
| Revision A | | | | | |
| ARIB | ARIB STD-T64-C.S0025-A v1.0 | 1.0 | Approved | Jul 14 | http://www.arib.or.jp/english/html/overview/doc/STD-T64v6_70/Specification/ARIB_STD-T64-C.S0025-Av1.0.pdf |
| CCSA | CCSA-TSD-MC-C.S0025-A | 1.0 | Published | Jun 14 | http://www.ccsa.org.cn/english/tc/files.php?docpath=/ITU-R/M.1457/M.1457-12/MC |
| TIA | TIA-871-A | 1.0 | Published | Sep 12 | http://www.tiaonline.org/standards/technology/cdma2000/disclaimer.cfm |

5.2.2.1.1.25 C.S0026**Test Data Service Option (TDSO) for cdma2000 Spread Spectrum Systems**

This document specifies procedures for the Test Data Service Option (TDSO).

| SDO (2) | Document No. | Version | Status | Issued date | Location (1) |
|-------------------|-----------------------------|---------|-----------|-------------|---|
| Revision 0 | | | | | |
| ARIB | ARIB STD-T64-C.S0026-0 v2.0 | 2.0 | Approved | Jul 14 | http://www.arib.or.jp/english/html/overview/doc/STD-T64v6_70/Specification/ARIB_STD-T64-C.S0026-0v2.0.pdf |
| TIA | TIA-870-1[E] | 2.0 | Published | Jan 04 | http://www.tiaonline.org/standards/technology/cdma2000/disclaimer.cfm |
| TTA | TTAT.3G-C.S0026-0 v2.0 | 2.0 | Approved | Mar 03 | http://www.tta.or.kr/data/ttasDown.jsp?where=14688&pk_num=TTAT.3G-C.S0026-0 v2.0 |
| Revision A | | | | | |
| ARIB | ARIB STD-T64-C.S0026-A v1.0 | 1.0 | Approved | Jul 14 | http://www.arib.or.jp/english/html/overview/doc/STD-T64v6_70/Specification/ARIB_STD-T64-C.S0026-Av1.0.pdf |
| CCSA | CCSA-TSD-MC-C.S0026-A | 1.0 | Published | Dec 04 | http://www.ccsa.org.cn/english/tc/files.php?docpath=/ITU-R/M.1457/M.1457-12/MC |
| TIA | TIA-870-A | 1.0 | Published | Mar 05 | http://www.tiaonline.org/standards/technology/cdma2000/disclaimer.cfm |
| TTA | TTAT.3G-C.S0026-A v1.0 | 1.0 | Approved | May 05 | http://www.tta.or.kr/data/ttasDown.jsp?where=14688&pk_num=TTAT.3G-C.S0026-A v1.0 |

5.2.2.1.1.26 C.S0028**CDMA TTY/TDD Minimum Performance Specification**

This specification defines the CDMA TTY/TDD Minimum Performance Specification.

| SDO (2) | Document No. | Version | Status | Issued date | Location (1) |
|-------------------|-----------------------------|---------|-----------|-------------|---|
| Release B | | | | | |
| TTA | TTAT.3G-C.S0028-B v1.0 | 1.0 | Approved | Aug 12 | http://www.tta.or.kr/data/ttasDown.jsp?where=14688&pk_num=TTAT.3G-C.S0028-B v1.0 |
| Revision 0 | | | | | |
| TIA | TIA/IS-889 | 2.0 | Published | Sep 02 | http://www.tiaonline.org/standards/technology/cdma2000/disclaimer.cfm |
| TTA | TTAT.3G-C.S0028-0 v2.0 | 2.0 | Approved | Mar 03 | http://www.tta.or.kr/data/ttasDown.jsp?where=14688&pk_num=TTAT.3G-C.S0028-0 v2.0 |
| Revision A | | | | | |
| CCSA | CCSA-TSD-MC-C.S0028-A | 1.0 | Published | Dec 03 | http://www.ccsa.org.cn/english/tc/files.php?docpath=/ITU-R/M.1457/M.1457-12/MC |
| TIA | TIA-889-A | 1.0 | Published | Dec 03 | http://www.tiaonline.org/standards/technology/cdma2000/disclaimer.cfm |
| TTA | TTAT.3G-C.S0028-A v1.0 | 1.0 | Approved | May 05 | http://www.tta.or.kr/data/ttasDown.jsp?where=14688&pk_num=TTAT.3G-C.S0028-A v1.0 |
| Revision B | | | | | |
| ARIB | ARIB STD-T64-C.S0028-B v1.0 | 1.0 | Approved | Jul 14 | http://www.arib.or.jp/english/html/overview/doc/STD-T64v6_70/Specification/ARIB_STD-T64-C.S0028-Bv1.0.pdf |
| CCSA | CCSA-TSD-MC-C.S0028-B | 1.0 | Published | Jun 14 | http://www.ccsa.org.cn/english/tc/files.php?docpath=/ITU-R/M.1457/M.1457-12/MC |
| TIA | TIA-889-B | 1.0 | Published | Mar 12 | http://www.tiaonline.org/standards/technology/cdma2000/disclaimer.cfm |

5.2.2.1.1.27 C.S0029**Test Application Specification (TAS) for High Rate Packet Data Air Interface**

These technical requirements form a compatibility standard for test applications in cdma2000 high rate packet data systems.

| SDO (2) | Document No. | Version | Status | Issued date | Location (1) |
|---------|--------------|---------|--------|-------------|--------------|
|---------|--------------|---------|--------|-------------|--------------|

Revision 0

| | | | | | |
|------|-----------------------------|-----|-----------|--------|---|
| ARIB | ARIB STD-T64-C.S0029-0 v3.0 | 3.0 | Approved | Jul 14 | http://www.arib.or.jp/english/html/overview/doc/STD-T64v6_70/Specification/ARIB_STD-T64-C.S0029-0v3.0.pdf |
| TIA | TIA-890-1[E] | 3.0 | Published | Jan 04 | http://www.tiaonline.org/standards/technology/cdma2000/disclaimer.cfm |
| TTA | TTAT.3G-C.S0029-0 v3.0 | 3.0 | Approved | May 04 | http://www.tta.or.kr/data/ttasDown.jsp?where=14688&pk_num=TTAT.3G-C.S0029-0 v3.0 |

Revision A

| | | | | | |
|------|-----------------------------|-----|-----------|--------|---|
| ARIB | ARIB STD-T64-C.S0029-A v1.0 | 1.0 | Approved | Jul 14 | http://www.arib.or.jp/english/html/overview/doc/STD-T64v6_70/Specification/ARIB_STD-T64-C.S0029-Av1.0.pdf |
| CCSA | CCSA-TSD-MC-C.S0029-A | 1.0 | Published | Sep 05 | http://www.ccsa.org.cn/english/tc/files.php?docpath=/ITU-R/M.1457/M.1457-12/MC |
| TIA | TIA-890-A | 1.0 | Published | Apr 07 | http://www.tiaonline.org/standards/technology/cdma2000/disclaimer.cfm |
| TTA | TTAT.3G-C.S0029-A v1.0 | 1.0 | Approved | Apr 06 | http://www.tta.or.kr/data/ttasDown.jsp?where=14688&pk_num=TTAT.3G-C.S0029-A v1.0 |

Revision B

| | | | | | |
|------|-----------------------------|-----|-----------|--------|---|
| ARIB | ARIB STD-T64-C.S0029-B v1.0 | 1.0 | Approved | Jul 14 | http://www.arib.or.jp/english/html/overview/doc/STD-T64v6_70/Specification/ARIB_STD-T64-C.S0029-Bv1.0.pdf |
| CCSA | CCSA-TSD-MC-C.S0029-B | 1.0 | Published | Mar 08 | http://www.ccsa.org.cn/english/tc/files.php?docpath=/ITU-R/M.1457/M.1457-12/MC |
| TIA | TIA-890-B | 1.0 | Published | Sep 11 | http://www.tiaonline.org/standards/technology/cdma2000/disclaimer.cfm |
| TTA | TTAT.3G-C.S0029-B v1.0 | 1.0 | Approved | Oct 08 | http://www.tta.or.kr/data/ttasDown.jsp?where=14688&pk_num=TTAT.3G-C.S0029-B v1.0 |

5.2.2.1.1.28 C.S0030**Selectable Mode Vocoder Service Option for Wideband Spread Spectrum Communication Systems**

This specification defines the Selectable Mode Vocoder Service Option for Wideband Spread Spectrum Communication Systems.

| SDO (2) | Document No. | Version | Status | Issued date | Location (1) |
|-------------------|-----------------------------|---------|-----------|-------------|---|
| CCSA | CCSA-TSD-MC-C.S0030-0 | 3.0 | Published | Mar 04 | http://www.ccsa.org.cn/english/tc/files.php?docpath=/ITU-R/M.1457/M.1457-12/MC |
| Revision 0 | | | | | |
| ARIB | ARIB STD-T64-C.S0030-0 v3.0 | 3.0 | Approved | Jul 14 | http://www.arib.or.jp/english/html/overview/doc/STD-T64v6_70/Specification/ARIB_STD-T64-C.S0030-0v3.0.pdf |
| TIA | TIA-893-1[E] | 3.0 | Published | Jul 05 | http://www.tiaonline.org/standards/technology/cdma2000/disclaimer.cfm |
| TTA | TTAT.3G-C.S0030-0 v3.0 | 3.0 | Approved | May 04 | http://www.tta.or.kr/data/ttasDown.jsp?where=14688&pk_num=TTAT.3G-C.S0030-0 v3.0 |

5.2.2.1.1.29 C.S0031**Signalling Conformance Tests for cdma2000 Spread Spectrum Systems**

This document facilitates interoperability testing between CDMA infrastructure and CDMA mobile station manufacturers.

| SDO (2) | Document No. | Version | Status | Issued date | Location (1) |
|-------------------|------------------------|---------|-----------|-------------|---|
| Revision 0 | | | | | |
| TIA | TIA-864-1[E] | 2.0 | Published | Jan 04 | http://www.tiaonline.org/standards/technology/cdma2000/disclaimer.cfm |
| TTA | TTAT.3G-C.S0031-0 v2.0 | 2.0 | Approved | Mar 03 | http://www.tta.or.kr/data/ttasDown.jsp?where=14688&pk_num=TTAT.3G-C.S0031-0 v2.0 |
| Revision A | | | | | |
| TIA | TIA-864-A-1 | 2.0 | Published | Aug 07 | http://www.tiaonline.org/standards/technology/cdma2000/disclaimer.cfm |
| Revision B | | | | | |
| TIA | TIA-864-B | 1.0 | Published | Nov 11 | http://www.tiaonline.org/standards/technology/cdma2000/disclaimer.cfm |
| Revision C | | | | | |
| TIA | TIA-864-C | 1.0 | Published | Apr 11 | http://www.tiaonline.org/standards/technology/cdma2000/disclaimer.cfm |
| Revision D | | | | | |

| | | | | | |
|-----|----------------|-----|-----------|--------|---|
| TIA | TIA-864-D-1[E] | 2.0 | Published | Jun 14 | http://www.tiaonline.org/standards/technology/cdma2000/disclaimer.cfm |
|-----|----------------|-----|-----------|--------|---|

5.2.2.1.1.30 C.S0032

Recommended Minimum Performance Standards for cma2000 High Rate Packet Data Access Network

This document details definitions, methods of measurement, and minimum performance requirements for access networks.

| SDO (2) | Document No. | Version | Status | Issued date | Location (1) |
|-------------------|-----------------------------|---------|-----------|-------------|---|
| Release D | | | | | |
| TTA | TTAT.3G-C.S0032-D v1.0 | 1.0 | Approved | Aug 12 | http://www.tta.or.kr/data/ttasDown.jsp?where=14688&pk_num=TTAT.3G-C.S0032-D v1.0 |
| Revision 0 | | | | | |
| ARIB | ARIB STD-T64-C.S0032-0 v2.0 | 2.0 | Approved | Jul 14 | http://www.arib.or.jp/english/html/overview/doc/STD-T64v6_70/Specification/ARIB_STD-T64-C.S0032-0v2.0.pdf |
| TIA | TIA-866-1[E] | 2.0 | Published | Jan 04 | http://www.tiaonline.org/standards/technology/cdma2000/disclaimer.cfm |
| TTA | TTAT.3G-C.S0032-0 v2.0 | 2.0 | Approved | May 04 | http://www.tta.or.kr/data/ttasDown.jsp?where=14688&pk_num=TTAT.3G-C.S0032-0 v2.0 |
| Revision A | | | | | |
| ARIB | ARIB STD-T64-C.S0032-A v2.0 | 2.0 | Approved | Jul 14 | http://www.arib.or.jp/english/html/overview/doc/STD-T64v6_70/Specification/ARIB_STD-T64-C.S0032-Av2.0.pdf |
| CCSA | CCSA-TSD-MC-C.S0032-A | 2.0 | Published | Jul 07 | http://www.ccsa.org.cn/english/tc/files.php?docpath=/ITU-R/M.1457/M.1457-12/MC |
| TIA | TIA-866-A-1 | 2.0 | Published | Dec 11 | http://www.tiaonline.org/standards/technology/cdma2000/disclaimer.cfm |
| TTA | TTAT.3G-C.S0032-A v2.0 | 2.0 | Approved | Dec 07 | http://www.tta.or.kr/data/ttasDown.jsp?where=14688&pk_num=TTAT.3G-C.S0032-A v2.0 |
| Revision B | | | | | |
| ARIB | ARIB STD-T64-C.S0032-B v1.0 | 1.0 | Approved | Jul 14 | http://www.arib.or.jp/english/html/overview/doc/STD-T64v6_70/Specification/ARIB_STD-T64-C.S0032-Bv1.0.pdf |
| CCSA | CCSA-TSD-MC-C.S0032-B | 1.0 | Published | May 08 | http://www.ccsa.org.cn/english/tc/files.php?docpath=/ITU-R/M.1457/M.1457-12/MC |
| TIA | TIA-866-B | 1.0 | Published | Dec 11 | http://www.tiaonline.org/standards/technology/cdma2000/disclaimer.cfm |
| TTA | TTAT.3G-C.S0032-B v1.0 | 1.0 | Approved | Oct 08 | http://www.tta.or.kr/data/ttasDown.jsp?where=14688&pk_num=TTAT.3G-C.S0032-B v1.0 |
| Revision C | | | | | |
| TIA | TIA-866-C | 1.0 | Published | Dec 11 | http://www.tiaonline.org/standards/technology/cdma2000/disclaimer.cfm |
| Revision D | | | | | |
| ARIB | ARIB STD-T64-C.S0032-D v2.0 | 2.0 | Approved | Jul 14 | http://www.arib.or.jp/english/html/overview/doc/STD-T64v6_70/Specification/ARIB_STD-T64-C.S0032-Dv2.0.pdf |
| CCSA | CCSA-TSD-MC-C.S0032-D | 2.0 | Published | Jun 14 | http://www.ccsa.org.cn/english/tc/files.php?docpath=/ITU-R/M.1457/M.1457-12/MC |
| TIA | TIA-866-D-1[E] | 2.0 | Published | Jun 14 | http://www.tiaonline.org/standards/technology/cdma2000/disclaimer.cfm |

5.2.2.1.1.31 C.S0033

Recommended Minimum Performance Standards for cma2000 High Rate Packet Data Access Terminal

This document details definitions, methods of measurement, and minimum performance characteristics for access terminals.

| SDO (2) | Document No. | Version | Status | Issued date | Location (1) |
|-------------------|-----------------------------|---------|-----------|-------------|---|
| Release D | | | | | |
| TTA | TTAT.3G-C.S0033-D v1.0 | 1.0 | Approved | Aug 12 | http://www.tta.or.kr/data/ttasDown.jsp?where=14688&pk_num=TTAT.3G-C.S0033-D v1.0 |
| Revision 0 | | | | | |
| ARIB | ARIB STD-T64-C.S0033-0 v2.0 | 2.0 | Approved | Jul 14 | http://www.arib.or.jp/english/html/overview/doc/STD-T64v6_70/Specification/ARIB_STD-T64-C.S0033-0v2.0.pdf |
| TIA | TIA-894 | 1.0 | Published | Aug 05 | http://www.tiaonline.org/standards/technology/cdma2000/disclaimer.cfm |

536

| SDO (2) | Document No. | Version | Status | Issued date | Location (1) |
|-------------------|-----------------------------|---------|-----------|-------------|---|
| TTA | TTAT.3G-C.S0033-0 v2.0 | 2.0 | Approved | May 04 | http://www.tta.or.kr/data/ttasDown.jsp?where=14688&pk_num=TTAT.3G-C.S0033-0 v2.0 |
| Revision A | | | | | |
| ARIB | ARIB STD-T64-C.S0033-A v2.0 | 2.0 | Approved | Jul 14 | http://www.arib.or.jp/english/html/overview/doc/STD-T64v6_70/Specification/ARIB_STD-T64-C.S0033-Av2.0.pdf |
| CCSA | CCSA-TSD-MC-C.S0033-A | 2.0 | Published | Jul 07 | http://www.ccsa.org.cn/english/tc/files.php?docpath=/ITU-R/M.1457/M.1457-12/MC |
| TTA | TTAT.3G-C.S0033-A v2.0 | 2.0 | Approved | Dec 07 | http://www.tta.or.kr/data/ttasDown.jsp?where=14688&pk_num=TTAT.3G-C.S0033-A v2.0 |
| Revision B | | | | | |
| ARIB | ARIB STD-T64-C.S0033-B v1.0 | 1.0 | Approved | Jul 14 | http://www.arib.or.jp/english/html/overview/doc/STD-T64v6_70/Specification/ARIB_STD-T64-C.S0033-Bv1.0.pdf |
| CCSA | CCSA-TSD-MC-C.S0033-B | 1.0 | Published | May 08 | http://www.ccsa.org.cn/english/tc/files.php?docpath=/ITU-R/M.1457/M.1457-12/MC |
| TTA | TTAT.3G-C.S0033-B v1.0 | 1.0 | Approved | Oct 08 | http://www.tta.or.kr/data/ttasDown.jsp?where=14688&pk_num=TTAT.3G-C.S0033-B v1.0 |
| Revision D | | | | | |
| ARIB | ARIB STD-T64-C.S0033-D v1.0 | 1.0 | Approved | Jul 14 | http://www.arib.or.jp/english/html/overview/doc/STD-T64v6_70/Specification/ARIB_STD-T64-C.S0033-Dv1.0.pdf |
| CCSA | CCSA-TSD-MC-C.S0033-D | 2.0 | Published | Jun 14 | http://www.ccsa.org.cn/english/tc/files.php?docpath=/ITU-R/M.1457/M.1457-12/MC |

ITU-R M.1457-12

5.2.2.1.1.32 C.S0034

Minimum Performance Specification for the Selectable Mode Vocoder (SMV), Speech Service Option 56 for Wideband Spread Spectrum Digital Systems

This standard details definitions, methods of measurement, verification of bit-exactness, and minimum performance characteristics of C.S0030-0 Selectable Mode Vocoder (SMV) for digital cellular wideband spread spectrum mobile stations and base stations.

| SDO (2) | Document No. | Version | Status | Issued date | Location (1) |
|-------------------|-----------------------------|---------|-----------|-------------|---|
| CCSA | CCSA-TSD-MC-C.S0034-0 | 1.0 | Published | Apr 04 | http://www.ccsa.org.cn/english/tc/files.php?docpath=/ITU-R/M.1457/M.1457-12/MC |
| Revision 0 | | | | | |
| ARIB | ARIB STD-T64-C.S0034-0 v1.0 | 1.0 | Approved | Jul 14 | http://www.arib.or.jp/english/html/overview/doc/STD-T64v6_70/Specification/ARIB_STD-T64-C.S0034-0v1.0.pdf |
| TIA | TIA-915 | 1.0 | Published | Feb 03 | http://www.tiaonline.org/standards/technology/cdma2000/disclaimer.cfm |
| TTA | TTAT.3G-C.S0034-0 v1.0 | 1.0 | Approved | May 05 | http://www.tta.or.kr/data/ttasDown.jsp?where=14688&pk_num=TTAT.3G-C.S0034-0 v1.0 |
| Revision A | | | | | |
| TIA | TIA-915-A-2 | 3.0 | Published | Sep 12 | http://www.tiaonline.org/standards/technology/cdma2000/disclaimer.cfm |
| Revision B | | | | | |
| TIA | TIA-915-B-1[E] | 2.0 | Published | May 14 | http://www.tiaonline.org/standards/technology/cdma2000/disclaimer.cfm |

5.2.2.1.1.33 C.S0035

CDMA Card Application Toolkit (CCAT)

This document contains the requirements for CDMA Card Application Toolkit (CCAT). CCAT is a set of commands and procedures for use during the network operation phase of CDMA. Specifying the interface is to ensure interoperability between an R-UIM and an ME independently of the respective manufacturers and operators. CCAT will allow Service Providers to offer unique services to their subscribers by placing applications they have designed (or third party applications) on the R-UIM that would function on any particular manufacturer's ME that supports the Toolkit features.

| SDO (2) | Document No. | Version | Status | Issued date | Location (1) |
|---------|--------------|---------|--------|-------------|--------------|
|---------|--------------|---------|--------|-------------|--------------|

Revision 0

| | | | | | |
|------|-----------------------------|-----|-----------|--------|---|
| ARIB | ARIB STD-T64-C.S0035-0 v1.0 | 1.0 | Approved | Jul 14 | http://www.arib.or.jp/english/html/overview/doc/STD-T64v6_70/Specification/ARIB_STD-T64-C.S0035-0v1.0.pdf |
| TIA | TIA-916-1[E] | 2.0 | Published | Feb 11 | http://www.tiaonline.org/standards/technology/cdma2000/disclaimer.cfm |
| TIA | TIA-1038 | 1.0 | Published | Oct 09 | http://www.tiaonline.org/standards/technology/cdma2000/disclaimer.cfm |
| TTA | TTAT.3G-C.S0035-0 v1.0 | 1.0 | Approved | May 04 | http://www.tta.or.kr/data/ttasDown.jsp?where=14688&pk_num=TTAT.3G-C.S0035-0 v1.0 |

Revision A

| | | | | | |
|------|-----------------------------|-----|-----------|--------|---|
| ARIB | ARIB STD-T64-C.S0035-A v3.0 | 3.0 | Approved | Jul 14 | http://www.arib.or.jp/english/html/overview/doc/STD-T64v6_70/Specification/ARIB_STD-T64-C.S0035-Av3.0.pdf |
| CCSA | CCSA-TSD-MC-C.S0035-A | 2.0 | Published | Jul 07 | http://www.ccsa.org.cn/english/tc/files.php?docpath=/ITU-R/M.1457/M.1457-12/MC |
| TIA | TIA-916-A | 1.0 | Published | Feb 12 | http://www.tiaonline.org/standards/technology/cdma2000/disclaimer.cfm |
| TTA | TTAT.3G-C.S0035-A v2.0 | 2.0 | Approved | Dec 07 | http://www.tta.or.kr/data/ttasDown.jsp?where=14688&pk_num=TTAT.3G-C.S0035-A v2.0 |

Revision B

| | | | | | |
|------|-----------------------------|-----|-----------|--------|---|
| ARIB | ARIB STD-T64-C.S0035-B v1.0 | 1.0 | Approved | Jul 14 | http://www.arib.or.jp/english/html/overview/doc/STD-T64v6_70/Specification/ARIB_STD-T64-C.S0035-Bv1.0.pdf |
| CCSA | CCSA-TSD-MC-C.S0035-A | 2.0 | Published | Jun 14 | http://www.ccsa.org.cn/english/tc/files.php?docpath=/ITU-R/M.1457/M.1457-12/MC |
| TTA | TTAT.3G-C.S0035-B v1.0 | 1.0 | Published | | http://www.tta.or.kr/data/ttasDown.jsp?where=14688&pk_num=TTAT.3G-C.S0035-B v1.0 |

5.2.2.1.1.34 C.S0036**Recommended Minimum Performance Specification for C.S0022-0 Spread Spectrum Mobile Stations**

This document details definitions, methods of measurement, and minimum performance characteristics for Position Location Capable Code Division Multiple Access (CDMA) mobile stations.

| SDO (2) | Document No. | Version | Status | Issued date | Location (1) |
|-------------------|-----------------------------|---------|-----------|-------------|---|
| CCSA | CCSA-TSD-MC-C.S0036-0 | 2.0 | Published | Mar 10 | http://www.ccsa.org.cn/english/tc/files.php?docpath=/ITU-R/M.1457/M.1457-12/MC |
| TTA | TTAT.3G-C.S0036-A v1.0 | 1.0 | Approved | Aug 12 | http://www.tta.or.kr/data/ttasDown.jsp?where=14688&pk_num=TTAT.3G-C.S0036-A v1.0 |
| Revision 0 | | | | | |
| ARIB | ARIB STD-T64-C.S0036-0 v2.0 | 2.0 | Approved | Jul 14 | http://www.arib.or.jp/english/html/overview/doc/STD-T64v6_70/Specification/ARIB_STD-T64-C.S0036-0v2.0.pdf |
| TIA | TIA-918 | 1.0 | Published | May 02 | http://www.tiaonline.org/standards/technology/cdma2000/disclaimer.cfm |
| TTA | TTAT.3G-C.S0036-0 v1.0 | 1.0 | Approved | Mar 03 | http://www.tta.or.kr/data/ttasDown.jsp?where=14688&pk_num=TTAT.3G-C.S0036-0 v1.0 |
| Revision A | | | | | |
| ARIB | ARIB STD-T64-C.S0036-A v1.0 | 1.0 | Approved | Jul 14 | http://www.arib.or.jp/english/html/overview/doc/STD-T64v6_70/Specification/ARIB_STD-T64-C.S0036-Av1.0.pdf |
| CCSA | CCSA-TSD-MC-C.S0036-A | 1.0 | Published | Jun 14 | http://www.ccsa.org.cn/english/tc/files.php?docpath=/ITU-R/M.1457/M.1457-12/MC |

5.2.2.1.1.35 C.S0037**Signalling Conformance Specification for cdma2000 Wireless IP Networks**

This document is designed to facilitate the interoperability testing between mobile stations and infrastructure, as well as provide network specific test cases. Definitions, recommended methods of measurement, and minimum standards are provided.

| SDO (2) | Document No. | Version | Status | Issued date | Location (1) |
|-------------------|-----------------------------|---------|-----------|-------------|---|
| CCSA | CCSA-TSD-MC-C.S0037-0 | 1.0 | Published | Apr 02 | http://www.ccsa.org.cn/english/tc/files.php?docpath=/ITU-R/M.1457/M.1457-12/MC |
| Revision 0 | | | | | |
| ARIB | ARIB STD-T64-C.S0037-0 v1.0 | 1.0 | Approved | Jul 14 | http://www.arib.or.jp/english/html/overview/doc/STD-T64v6_70/Specification/ARIB_STD-T64-C.S0037-0v1.0.pdf |

538

ITU-R M.1457-12

| | | | | | |
|-------------------|------------------------|-----|-----------|--------|---|
| TTA | TTAT.3G-C.S0037-0 v1.0 | 1.0 | Approved | Mar 03 | http://www.tta.or.kr/data/ttasDown.jsp?where=14688&pk_num=TTAT.3G-C.S0037-0 v1.0 |
| Revision A | | | | | |
| TIA | TIA-919-A-1 | 2.0 | Published | Sep 07 | http://www.tiaonline.org/standards/technology/cdma2000/disclaimer.cfm |
| Revision B | | | | | |
| TIA | TIA-919-B | 1.0 | Published | Sep 11 | http://www.tiaonline.org/standards/technology/cdma2000/disclaimer.cfm |

5.2.2.1.1.36 C.S0038

Signalling Conformance Specification for High Rate Packet Data Air Interface

These technical requirements form a document for signalling conformance in cdma2000 high rate packet data systems. These requirements ensure that compliant access terminals and compliant access networks can execute tests in meeting the objectives.

| SDO (2) | Document No. | Version | Status | Issued date | Location (1) |
|-------------------|-----------------------------|---------|-----------|-------------|---|
| Revision 0 | | | | | |
| ARIB | ARIB STD-T64-C.S0038-0 v1.0 | 1.0 | Approved | Jul 14 | http://www.arib.or.jp/english/html/overview/doc/STD-T64v6_70/Specification/ARIB_STD-T64-C.S0038-0v1.0.pdf |
| TIA | TIA-925-1[E] | 2.0 | Published | Sep 07 | http://www.tiaonline.org/standards/technology/cdma2000/disclaimer.cfm |
| TTA | TTAT.3G-C.S0038-0 v1.0 | 1.0 | Approved | Mar 03 | http://www.tta.or.kr/data/ttasDown.jsp?where=14688&pk_num=TTAT.3G-C.S0038-0 v1.0 |
| Revision A | | | | | |
| ARIB | ARIB STD-T64-C.S0038-A v2.0 | 2.0 | Approved | Jul 14 | http://www.arib.or.jp/english/html/overview/doc/STD-T64v6_70/Specification/ARIB_STD-T64-C.S0038-Av2.0.pdf |
| CCSA | CCSA-TSD-MC-C.S0038-A | 2.0 | Published | Mar 07 | http://www.ccsa.org.cn/english/tc/files.php?docpath=/ITU-R/M.1457/M.1457-12/MC |
| TTA | TTAT.3G-C.S0038-A v2.0 | 2.0 | Approved | Dec 07 | http://www.tta.or.kr/data/ttasDown.jsp?where=14688&pk_num=TTAT.3G-C.S0038-A v2.0 |
| Revision B | | | | | |
| ARIB | ARIB STD-T64-C.S0038-B v1.0 | 1.0 | Approved | Jul 14 | http://www.arib.or.jp/english/html/overview/doc/STD-T64v6_70/Specification/ARIB_STD-T64-C.S0038-Bv1.0.pdf |
| CCSA | CCSA-TSD-MC-C.S0038-A | 1.0 | Published | Jun 14 | http://www.ccsa.org.cn/english/tc/files.php?docpath=/ITU-R/M.1457/M.1457-12/MC |
| TTA | TTAT.3G-C.S0038-B v1.0 | 1.0 | Approved | Jul 09 | http://www.tta.or.kr/data/ttasDown.jsp?where=14688&pk_num=TTAT.3G-C.S0038-B v1.0 |

5.2.2.1.1.37 C.S0039

Enhanced Subscriber Privacy for cdma2000 High Rate Packet Data

Enhanced Subscriber Privacy for HRPD is provided by the use of Advance Encryption Algorithm (AES) by encrypting the air interface to protect subscriber traffic and certain signalling messages from unauthorized disclosure.

| SDO (2) | Document No. | Version | Status | Issued date | Location (1) |
|-------------------|-----------------------------|---------|-----------|-------------|---|
| CCSA | CCSA-TSD-MC-C.S0039-0 | 2.0 | Published | Aug 06 | http://www.ccsa.org.cn/english/tc/files.php?docpath=/ITU-R/M.1457/M.1457-12/MC |
| Revision 0 | | | | | |
| ARIB | ARIB STD-T64-C.S0039-0 v2.0 | 2.0 | Approved | Jul 14 | http://www.arib.or.jp/english/html/overview/doc/STD-T64v6_70/Specification/ARIB_STD-T64-C.S0039-0v2.0.pdf |
| TIA | TIA-926 | 1.0 | Published | Dec 02 | http://www.tiaonline.org/standards/technology/cdma2000/disclaimer.cfm |
| TTA | TTAT.3G-C.S0039-0 v2.0 | 2.0 | Approved | Dec 07 | http://www.tta.or.kr/data/ttasDown.jsp?where=14688&pk_num=TTAT.3G-C.S0039-0 v2.0 |

5.2.2.1.1.38 C.S0040

IP-Based Over-the-Air Handset Configuration Management (IOTA-HCM)

These technical requirements form a standard for Over-the-Air Service Provisioning of mobile stations using Internet Protocol (IP).

| SDO (2) | Document No. | Version | Status | Issued date | Location (1) |
|-------------------|-----------------------------|---------|-----------|-------------|---|
| CCSA | CCSA-TSD-MC-C.S0040-0 | 1.0 | Published | Jul 04 | http://www.ccsa.org.cn/english/tc/files.php?docpath=/ITU-R/M.1457/M.1457-12/MC |
| Revision 0 | | | | | |
| ARIB | ARIB STD-T64-C.S0040-0 v1.0 | 1.0 | Approved | Jul 14 | http://www.arib.or.jp/english/html/overview/doc/STD-T64v6_70/Specification/ARIB_STD-T64-C.S0040-0v1.0.pdf |
| TIA | TIA-1035 | 1.0 | Published | Feb 05 | http://www.tiaonline.org/standards/technology/cdma2000/disclaimer.cfm |
| TTA | TTAT.3G-C.S0040-0 v1.0 | 1.0 | Approved | May 04 | http://www.tta.or.kr/data/ttasDown.jsp?where=14688&pk_num=TTAT.3G-C.S0040-0 v1.0 |
| Revision A | | | | | |
| TIA | TIA-1035-A | 1.0 | Published | Nov 11 | http://www.tiaonline.org/standards/technology/cdma2000/disclaimer.cfm |

5.2.2.1.1.39 C.S0042

Circuit-Switched Video Conferencing Services

This specification defines the functional characteristics and requirements of the circuit-switched video conferencing services. The service features and system requirements are defined to provide video conferencing services in 3GPP2 wireless telecommunications networks.

| SDO (2) | Document No. | Version | Status | Issued date | Location (1) |
|-------------------|-----------------------------|---------|-----------|-------------|---|
| CCSA | CCSA-TSD-MC-C.S0042-0 | 1.0 | Published | Aug 02 | http://www.ccsa.org.cn/english/tc/files.php?docpath=/ITU-R/M.1457/M.1457-12/MC |
| Revision 0 | | | | | |
| ARIB | ARIB STD-T64-C.S0042-0 v1.0 | 1.0 | Approved | Jul 14 | http://www.arib.or.jp/english/html/overview/doc/STD-T64v6_70/Specification/ARIB_STD-T64-C.S0042-0v1.0.pdf |
| TIA | TIA-1036 | 1.0 | Published | Jan 05 | http://www.tiaonline.org/standards/technology/cdma2000/disclaimer.cfm |
| TTA | TTAT.3G-C.S0042-0 v1.0 | 1.0 | Approved | Mar 03 | http://www.tta.or.kr/data/ttasDown.jsp?where=14688&pk_num=TTAT.3G-C.S0042-0 v1.0 |
| Revision A | | | | | |
| TIA | TIA-1036-A | 1.0 | Published | Aug 07 | http://www.tiaonline.org/standards/technology/cdma2000/disclaimer.cfm |
| Revision B | | | | | |
| TIA | TIA-1036-B | 1.0 | Published | Oct 11 | http://www.tiaonline.org/standards/technology/cdma2000/disclaimer.cfm |
| Revision C | | | | | |
| TIA | TIA-1036-C | 1.0 | Published | Nov 12 | http://www.tiaonline.org/standards/technology/cdma2000/disclaimer.cfm |

5.2.2.1.1.40 C.S0043

Signalling Conformance Test Specification for cdma2000 Spread Spectrum Systems

This specification defines air interface signalling conformance tests for CDMA base stations and mobile stations.

| SDO (2) | Document No. | Version | Status | Issued date | Location (1) |
|-------------------|-----------------------------|---------|-----------|-------------|---|
| CCSA | CCSA-TSD-MC-C.S0043-0 | 1.0 | Published | Sep 04 | http://www.ccsa.org.cn/english/tc/files.php?docpath=/ITU-R/M.1457/M.1457-12/MC |
| TTA | TTAT.3G-C.S0043-A v1.0 | 1.0 | Approved | Aug 12 | http://www.tta.or.kr/data/ttasDown.jsp?where=14688&pk_num=TTAT.3G-C.S0043-A v1.0 |
| Revision 0 | | | | | |
| ARIB | ARIB STD-T64-C.S0043-0 v1.0 | 1.0 | Approved | Jul 14 | http://www.arib.or.jp/english/html/overview/doc/STD-T64v6_70/Specification/ARIB_STD-T64-C.S0043-0v1.0.pdf |
| TIA | TIA-1011-1 | 2.0 | Published | Jan 07 | http://www.tiaonline.org/standards/technology/cdma2000/disclaimer.cfm |
| TTA | TTAT.3G-C.S0043-0 v1.0 | 1.0 | Approved | Apr 06 | http://www.tta.or.kr/data/ttasDown.jsp?where=14688&pk_num=TTAT.3G-C.S0043-0 v1.0 |

Revision A

| SDO (2) | Document No. | Version | Status | Issued date | Location (1) |
|---------|-----------------------------|---------|-----------|-------------|---|
| ARIB | ARIB STD-T64-C.S0043-A v1.0 | 1.0 | Approved | Jul 14 | http://www.arib.or.jp/english/html/overview/doc/STD-T64v6_70/Specification/ARIB_STD-T64-C.S0043-Av1.0.pdf |
| CCSA | CCSA-TSD-MC-C.S0043-A | 1.0 | Published | Jun 14 | http://www.ccsa.org.cn/english/tc/files.php?docpath=/ITU-R/M.1457/M.1457-12/MC |
| TIA | TIA-1011-A | 1.0 | Published | Sep 09 | http://www.tiaonline.org/standards/technology/cdma2000/disclaimer.cfm |

5.2.2.1.1.41 C.S0044**Interoperability Specification for cdma2000 Air Interface**

This specification defines air interface interoperability tests for CDMA/HRPD mobile stations/access terminals.

| SDO (2) | Document No. | Version | Status | Issued date | Location (1) |
|-------------------|-----------------------------|---------|-----------|-------------|---|
| Release B | | | | | |
| TTA | TTAT.3G-C.S0044-B v1.0 | 1.0 | Approved | Aug 12 | http://www.tta.or.kr/data/ttasDown.jsp?where=14688&pk_num=TTAT.3G-C.S0044-B v1.0 |
| Revision 0 | | | | | |
| ARIB | ARIB STD-T64-C.S0044-0 v1.0 | 1.0 | Approved | Jul 14 | http://www.arib.or.jp/english/html/overview/doc/STD-T64v6_70/Specification/ARIB_STD-T64-C.S0044-0v1.0.pdf |
| TIA | TIA-1012 | 1.0 | Published | Jan 09 | http://www.tiaonline.org/standards/technology/cdma2000/disclaimer.cfm |
| TTA | TTAT.3G-C.S0044-0 v1.0 | 1.0 | Approved | Apr 06 | http://www.tta.or.kr/data/ttasDown.jsp?where=14688&pk_num=TTAT.3G-C.S0044-0 v1.0 |
| Revision A | | | | | |
| ARIB | ARIB STD-T64-C.S0044-A v1.0 | 1.0 | Approved | Jul 14 | http://www.arib.or.jp/english/html/overview/doc/STD-T64v6_70/Specification/ARIB_STD-T64-C.S0044-Av1.0.pdf |
| CCSA | CCSA-TSD-MC-C.S0044-A | 1.0 | Published | Jul 07 | http://www.ccsa.org.cn/english/tc/files.php?docpath=/ITU-R/M.1457/M.1457-12/MC |
| TTA | TTAT.3G-C.S0044-A v1.0 | 1.0 | Approved | Dec 07 | http://www.tta.or.kr/data/ttasDown.jsp?where=14688&pk_num=TTAT.3G-C.S0044-A v1.0 |
| Revision B | | | | | |
| ARIB | ARIB STD-T64-C.S0044-B v1.0 | 1.0 | Approved | Jul 14 | http://www.arib.or.jp/english/html/overview/doc/STD-T64v6_70/Specification/ARIB_STD-T64-C.S0044-Bv1.0.pdf |
| Revision C | | | | | |
| ARIB | ARIB STD-T64-C.S0044-C v1.0 | 1.0 | Approved | Jul 14 | http://www.arib.or.jp/english/html/overview/doc/STD-T64v6_70/Specification/ARIB_STD-T64-C.S0044-Cv1.0.pdf |
| Revision D | | | | | |
| CCSA | CCSA-TSD-MC-C.S0044-A | 1.0 | Published | Jun 14 | http://www.ccsa.org.cn/english/tc/files.php?docpath=/ITU-R/M.1457/M.1457-12/MC |

5.2.2.1.1.42 C.S0045**Multimedia Messaging Service (MMS) Media Format and Codecs for cdma2000 Spread Spectrum Systems**

This document defines content types, media formats and codecs for the non-real time Multimedia Messaging Service (MMS).

| SDO (2) | Document No. | Version | Status | Issued date | Location (1) |
|-------------------|-----------------------------|---------|-----------|-------------|---|
| Revision 0 | | | | | |
| ARIB | ARIB STD-T64-C.S0045-0 v2.0 | 2.0 | Approved | Jul 14 | http://www.arib.or.jp/english/html/overview/doc/STD-T64v6_70/Specification/ARIB_STD-T64-C.S0045-0v2.0.pdf |
| TIA | TIA-923 | 1.0 | Published | May 03 | http://www.tiaonline.org/standards/technology/cdma2000/disclaimer.cfm |
| TTA | TTAT.3G-C.S0045-0 v2.0 | 2.0 | Approved | Dec 07 | http://www.tta.or.kr/data/ttasDown.jsp?where=14688&pk_num=TTAT.3G-C.S0045-0 v2.0 |
| Revision A | | | | | |
| ARIB | ARIB STD-T64-C.S0045-A v1.0 | 1.0 | Approved | Jul 14 | http://www.arib.or.jp/english/html/overview/doc/STD-T64v6_70/Specification/ARIB_STD-T64-C.S0045-Av1.0.pdf |
| CCSA | CCSA-TSD-MC-C.S0045-A | 1.0 | Published | Mar 06 | http://www.ccsa.org.cn/english/tc/files.php?docpath=/ITU-R/M.1457/M.1457-12/MC |
| TTA | TTAT.3G-C.S0045-A v1.0 | 1.0 | Approved | Dec 07 | http://www.tta.or.kr/data/ttasDown.jsp?where=14688&pk_num=TTAT.3G-C.S0045-A v1.0 |

5.2.2.1.1.43 C.S0046**3G Multimedia Streaming Services**

This document defines content types, media formats, codecs, and delivery support for multimedia streaming service (MSS).

| SDO (2) | Document No. | Version | Status | Issued date | Location (1) |
|-------------------|-----------------------------|---------|-----------|-------------|---|
| CCSA | CCSA-TSD-MC-C.S0046-0 | 1.0 | Published | Feb 06 | http://www.ccsa.org.cn/english/tc/files.php?docpath=/ITU-R/M.1457/M.1457-12/MC |
| Revision 0 | | | | | |
| ARIB | ARIB STD-T64-C.S0046-0 v1.0 | 1.0 | Approved | Jul 14 | http://www.arib.or.jp/english/html/overview/doc/STD-T64v6_70/Specification/ARIB_STD-T64-C.S0046-0v1.0.pdf |
| TIA | TIA-1013 | 1.0 | Published | Dec 03 | http://www.tiaonline.org/standards/technology/cdma2000/disclaimer.cfm |
| TTA | TTAT.3G-C.S0046-0 v1.0 | 1.0 | Approved | Dec 07 | http://www.tta.or.kr/data/ttasDown.jsp?where=14688&pk_num=TTAT.3G-C.S0046-0 v1.0 |
| Revision A | | | | | |
| TIA | TIA-1013-A-1[E] | 2.0 | Published | Mar 13 | http://www.tiaonline.org/standards/technology/cdma2000/disclaimer.cfm |
| Revision B | | | | | |
| TIA | TIA-1013-B | 1.0 | Published | Feb 14 | http://www.tiaonline.org/standards/technology/cdma2000/disclaimer.cfm |

5.2.2.1.1.44 C.S0047**Link-Layer Assisted Service Options for Voice-Over-IP: Header Removal (SO60) and Robust Header Compression (SO61)**

These technical requirements form a standard for the Link-Layer Assisted (LLA) Service Options. Service Option 60 (SO60) defines a variable rate Voice-over-IP (VoIP) service option for transport of header-removed IP/UDP/RTP packets carrying speech frames. Service Option 61 (SO61) defines a variable rate Voice-over-IP (VoIP) service option for transport of header-compressed IP/UDP/RTP packets carrying speech frames.

| SDO (2) | Document No. | Version | Status | Issued date | Location (1) |
|-------------------|-----------------------------|---------|-----------|-------------|---|
| CCSA | CCSA-TSD-MC-C.S0047-0 | 1.0 | Published | Mar 03 | http://www.ccsa.org.cn/english/tc/files.php?docpath=/ITU-R/M.1457/M.1457-12/MC |
| Revision 0 | | | | | |
| ARIB | ARIB STD-T64-C.S0047-0 v1.0 | 1.0 | Approved | Jul 14 | http://www.arib.or.jp/english/html/overview/doc/STD-T64v6_70/Specification/ARIB_STD-T64-C.S0047-0v1.0.pdf |
| TIA | TIA-1014-1[E] | 2.0 | Published | Nov 06 | http://www.tiaonline.org/standards/technology/cdma2000/disclaimer.cfm |
| TTA | TTAT.3G-C.S0047-0 v1.0 | 1.0 | Approved | May 04 | http://www.tta.or.kr/data/ttasDown.jsp?where=14688&pk_num=TTAT.3G-C.S0047-0 v1.0 |
| Revision A | | | | | |
| TIA | TIA-1014-A | 1.0 | Published | May 12 | http://www.tiaonline.org/standards/technology/cdma2000/disclaimer.cfm |

5.2.2.1.1.45 C.S0048**Mobile Equipment (ME) Conformance Testing for cdma2000 Spread Spectrum Standards**

The present document provides the Conformance Test Specification for Removable User Identity Module (R-UIM) enabled Mobile Equipment (ME) terminals.

| SDO (2) | Document No. | Version | Status | Issued date | Location (1) |
|---------|------------------------|---------|-----------|-------------|---|
| CCSA | CCSA-TSD-MC-C.S0048-0 | 1.0 | Published | Oct 03 | http://www.ccsa.org.cn/english/tc/files.php?docpath=/ITU-R/M.1457/M.1457-12/MC |
| TTA | TTAT.3G-C.S0048-A v1.0 | 1.0 | Approved | Aug 12 | http://www.tta.or.kr/data/ttasDown.jsp?where=14688&pk_num=TTAT.3G-C.S0048-A v1.0 |

Revision 0

| | | | | | |
|------|-----------------------------|-----|-----------|--------|---|
| ARIB | ARIB STD-T64-C.S0048-0 v1.0 | 1.0 | Approved | Jul 14 | http://www.arib.or.jp/english/html/overview/doc/STD-T64v6_70/Specification/ARIB_STD-T64-C.S0048-0v1.0.pdf |
| TIA | TIA-1015 | 1.0 | Published | Dec 03 | http://www.tiaonline.org/standards/technology/cdma2000/disclaimer.cfm |
| TTA | TTAT.3G-C.S0048-0 v1.0 | 1.0 | Approved | May 05 | http://www.tta.or.kr/data/ttasDown.jsp?where=14688&pk_num=TTAT.3G-C.S0048-0 v1.0 |

Revision A

| | | | | | |
|------|-----------------------------|-----|-----------|--------|---|
| ARIB | ARIB STD-T64-C.S0048-A v1.0 | 1.0 | Approved | Jul 14 | http://www.arib.or.jp/english/html/overview/doc/STD-T64v6_70/Specification/ARIB_STD-T64-C.S0048-Av2.0.pdf |
| CCSA | CCSA-TSD-MC-C.S0048-A | 1.0 | Published | Jun 14 | http://www.ccsa.org.cn/english/tc/files.php?docpath=/ITU-R/M.1457/M.1457-12/MC |
| TIA | TIA-1015-A | 1.0 | Published | Sep 11 | http://www.tiaonline.org/standards/technology/cdma2000/disclaimer.cfm |
| TTA | TTAT.3G-C.S0048-A v2.0 | 2.0 | Published | | http://www.tta.or.kr/data/ttasDown.jsp?where=14688&pk_num=TTAT.3G-C.S0048-A v2.0 |

Revision B

| | | | | | |
|------|-----------------------------|-----|-----------|--------|---|
| ARIB | ARIB STD-T64-C.S0048-B v1.0 | 1.0 | Approved | Jul 14 | http://www.arib.or.jp/english/html/overview/doc/STD-T64v6_70/Specification/ARIB_STD-T64-C.S0048-Bv1.0.pdf |
| TTA | TTAT.3G-C.S0048-B v1.0 | 1.0 | Published | | http://www.tta.or.kr/data/ttasDown.jsp?where=14688&pk_num=TTAT.3G-C.S0048-B v1.0 |

5.2.2.1.1.46 C.S0049**Removable User Identity Module Conformance Testing for Spread Spectrum Systems**

The present document provides the test cases for the Removable User Identity Module (R-UIM) Conformance Test Specification.

| SDO (2) | Document No. | Version | Status | Issued date | Location (1) |
|-------------------|-----------------------------|---------|-----------|-------------|---|
| CCSA | CCSA-TSD-MC-C.S0049-0 | 2.0 | Published | Jun 06 | http://www.ccsa.org.cn/english/tc/files.php?docpath=/ITU-R/M.1457/M.1457-12/MC |
| TTA | TTAT.3G-C.S0049-A v1.0 | 1.0 | Approved | Aug 12 | http://www.tta.or.kr/data/ttasDown.jsp?where=14688&pk_num=TTAT.3G-C.S0049-A v1.0 |
| Revision 0 | | | | | |
| ARIB | ARIB STD-T64-C.S0049-0 v2.0 | 2.0 | Approved | Jul 14 | http://www.arib.or.jp/english/html/overview/doc/STD-T64v6_70/Specification/ARIB_STD-T64-C.S0049-0v2.0.pdf |
| TIA | TIA-1037 | 1.0 | Published | May 08 | http://www.tiaonline.org/standards/technology/cdma2000/disclaimer.cfm |
| TTA | TTAT.3G-C.S0049-0 v2.0 | 2.0 | Approved | Dec 07 | http://www.tta.or.kr/data/ttasDown.jsp?where=14688&pk_num=TTAT.3G-C.S0049-0 v2.0 |
| Revision A | | | | | |
| ARIB | ARIB STD-T64-C.S0049-A v1.0 | 1.0 | Approved | Jul 14 | http://www.arib.or.jp/english/html/overview/doc/STD-T64v6_70/Specification/ARIB_STD-T64-C.S0049-Av1.0.pdf |
| CCSA | CCSA-TSD-MC-C.S0049-A | 1.0 | Published | Jun 14 | http://www.ccsa.org.cn/english/tc/files.php?docpath=/ITU-R/M.1457/M.1457-12/MC |
| TIA | TIA-1037-A | 1.0 | Published | May 12 | http://www.tiaonline.org/standards/technology/cdma2000/disclaimer.cfm |

5.2.2.1.1.47 C.S0050**3GPP2 File Formats for Multimedia Services**

The purpose of this standard is to define a set of file formats to be used with 3GPP2 multimedia services.

| SDO (2) | Document No. | Version | Status | Issued date | Location (1) |
|-------------------|-----------------------------|---------|-----------|-------------|---|
| Revision 0 | | | | | |
| ARIB | ARIB STD-T64-C.S0050-0 v1.0 | 1.0 | Approved | Jul 14 | http://www.arib.or.jp/english/html/overview/doc/STD-T64v6_70/Specification/ARIB_STD-T64-C.S0050-0v1.0.pdf |
| TIA | TIA-1016 | 1.0 | Published | Oct 04 | http://www.tiaonline.org/standards/technology/cdma2000/disclaimer.cfm |
| TTA | TTAT.3G-C.S0050-0 v1.0 | 1.0 | Approved | May 05 | http://www.tta.or.kr/data/ttasDown.jsp?where=14688&pk_num=TTAT.3G-C.S0050-0 v1.0 |
| Revision A | | | | | |
| ARIB | ARIB STD-T64-C.S0050-A v1.0 | 1.0 | Approved | Jul 14 | http://www.arib.or.jp/english/html/overview/doc/STD-T64v6_70/Specification/ARIB_STD-T64-C.S0050-Av1.0.pdf |
| CCSA | CCSA-TSD-MC-C.S0050-A | 1.0 | Published | Mar 06 | http://www.ccsa.org.cn/english/tc/files.php?docpath=/ITU-R/M.1457/M.1457-12/MC |

| | | | | | |
|-------------------|-----------------------------|-----|-----------|--------|---|
| TIA | TIA-1016-A | 1.0 | Published | Jan 06 | http://www.tiaonline.org/standards/technology/cdma2000/disclaimer.cfm |
| TTA | TTAT.3G-C.S0050-A v1.0 | 1.0 | Approved | Dec 07 | http://www.tta.or.kr/data/ttasDown.jsp?where=14688&pk_num=TTAT.3G-C.S0050-A v1.0 |
| Revision B | | | | | |
| ARIB | ARIB STD-T64-C.S0050-B v1.0 | 1.0 | Approved | Jul 14 | http://www.arib.or.jp/english/html/overview/doc/STD-T64v6_70/Specification/ARIB_STD-T64-C.S0050-Bv1.0.pdf |
| CCSA | CCSA-TSD-MC-C.S0050-B | 1.0 | Published | May 07 | http://www.ccsa.org.cn/english/tc/files.php?docpath=/ITU-R/M.1457/M.1457-12/MC |
| TTA | TTAT.3G-C.S0050-B v1.0 | 1.0 | Approved | Dec 07 | http://www.tta.or.kr/data/ttasDown.jsp?where=14688&pk_num=TTAT.3G-C.S0050-B v1.0 |

5.2.2.1.1.48 C.S0051

Recommended Minimum Performance Standards for cdma2000 Repeaters

This specification details definitions, methods of measurement, and minimum performance requirements for CDMA repeaters.

| SDO (2) | Document No. | Version | Status | Issued date | Location (1) |
|-------------------|------------------------|---------|-----------|-------------|---|
| CCSA | CCSA-TSD-MC-C.S0051-0 | 1.0 | Published | Feb 06 | http://www.ccsa.org.cn/english/tc/files.php?docpath=/ITU-R/M.1457/M.1457-12/MC |
| TTA | TTAT.3G-C.S0051-A v1.0 | 1.0 | Approved | Aug 12 | http://www.tta.or.kr/data/ttasDown.jsp?where=14688&pk_num=TTAT.3G-C.S0051-A v1.0 |
| Revision 0 | | | | | |
| TIA | TIA-1017 | 1.0 | Published | Oct 05 | http://www.tiaonline.org/standards/technology/cdma2000/disclaimer.cfm |
| TTA | TTAT.3G-C.S0051-0 v1.0 | 1.0 | Approved | Dec 07 | http://www.tta.or.kr/data/ttasDown.jsp?where=14688&pk_num=TTAT.3G-C.S0051-0 v1.0 |
| Revision A | | | | | |
| CCSA | CCSA-TSD-MC-C.S0051-A | 1.0 | Published | Jun 14 | http://www.ccsa.org.cn/english/tc/files.php?docpath=/ITU-R/M.1457/M.1457-12/MC |
| TIA | TIA-1017-A | 1.0 | Published | Oct 05 | http://www.tiaonline.org/standards/technology/cdma2000/disclaimer.cfm |

5.2.2.1.1.49 C.S0052

Source-Controlled Variable-Rate Multimode Wideband Speech Codec (VMR-WB) Service Option 62 for Spread Spectrum

These technical requirements form a standard for Service Option 62, source-controlled variable-rate multimode two-way wideband speech Service Option (VMR-WB).

| SDO (2) | Document No. | Version | Status | Issued date | Location (1) |
|-------------------|-----------------------------|---------|-----------|-------------|---|
| Revision 0 | | | | | |
| ARIB | ARIB STD-T64-C.S0052-0 v1.0 | 1.0 | Approved | Jul 14 | http://www.arib.or.jp/english/html/overview/doc/STD-T64v6_70/Specification/ARIB_STD-T64-C.S0052-0v1.0.pdf |
| TIA | TIA-1006-1[E] | 2.0 | Published | Nov 05 | http://www.tiaonline.org/standards/technology/cdma2000/disclaimer.cfm |
| TTA | TTAT.3G-C.S0052-0 v1.0 | 1.0 | Approved | May 05 | http://www.tta.or.kr/data/ttasDown.jsp?where=14688&pk_num=TTAT.3G-C.S0052-0 v1.0 |
| Revision A | | | | | |
| ARIB | ARIB STD-T64-C.S0052-A v1.0 | 1.0 | Approved | Jul 14 | http://www.arib.or.jp/english/html/overview/doc/STD-T64v6_70/Specification/ARIB_STD-T64-C.S0052-Av1.0.pdf |
| CCSA | CCSA-TSD-MC-C.S0052-A | 1.0 | Published | May 05 | http://www.ccsa.org.cn/english/tc/files.php?docpath=/ITU-R/M.1457/M.1457-12/MC |
| TIA | TIA-1006-A[E] | 1.0 | Published | Mar 10 | http://www.tiaonline.org/standards/technology/cdma2000/disclaimer.cfm |
| TTA | TTAT.3G-C.S0052-A v1.0 | 1.0 | Approved | Apr 06 | http://www.tta.or.kr/data/ttasDown.jsp?where=14688&pk_num=TTAT.3G-C.S0052-A v1.0 |

5.2.2.1.1.50 C.S0053

Minimum Performance Specification for the Source-Controlled Variable-Rate Multimode Wideband Speech Codec (VMR-WB), Service Option

62 for Spread Spectrum Systems

This specification details definitions, methods of measurement, verification of bit-exactness, and minimum performance characteristics of C.S0052_0 cdma2000® wideband speech codec (VMR_WB) Service Option 62 for digital cellular wideband spread spectrum mobile stations and base stations.

| SDO (2) | Document No. | Version | Status | Issued date | Location (1) |
|-------------------|-----------------------------|---------|-----------|-------------|---|
| Revision 0 | | | | | |
| ARIB | ARIB STD-T64-C.S0053-0 v1.0 | 1.0 | Approved | Jul 14 | http://www.arib.or.jp/english/html/overview/doc/STD-T64v6_70/Specification/ARIB_STD-T64-C.S0053-0v1.0.pdf |
| TIA | TIA-924 | 1.0 | Published | Jan 09 | http://www.tiaonline.org/standards/technology/cdma2000/disclaimer.cfm |
| TTA | TTAT.3G-C.S0053-0 v1.0 | 1.0 | Approved | Apr 06 | http://www.tta.or.kr/data/ttasDown.jsp?where=14688&pk_num=TTAT.3G-C.S0053-0 v1.0 |
| Revision A | | | | | |
| ARIB | ARIB STD-T64-C.S0053-A v1.0 | 1.0 | Approved | Jul 14 | http://www.arib.or.jp/english/html/overview/doc/STD-T64v6_70/Specification/ARIB_STD-T64-C.S0053-Av1.0.pdf |
| CCSA | CCSA-TSD-MC-C.S0053-A | 1.0 | Published | Jul 05 | http://www.ccsa.org.cn/english/tc/files.php?docpath=/ITU-R/M.1457/M.1457-12/MC |
| TIA | TIA-924-A | 1.0 | Published | Feb 09 | http://www.tiaonline.org/standards/technology/cdma2000/disclaimer.cfm |
| TTA | TTAT.3G-C.S0053-A v1.0 | 1.0 | Approved | Apr 06 | http://www.tta.or.kr/data/ttasDown.jsp?where=14688&pk_num=TTAT.3G-C.S0053-A v1.0 |

5.2.2.1.1.51 C.S0054

cdma2000 High Rate Broadcast-Multicast Packet Data Air Interface Specification

These technical requirements form the compatibility standard for CDMA2000 broadcast high rate packet data systems.

| SDO (2) | Document No. | Version | Status | Issued date | Location (1) |
|-------------------|-----------------------------|---------|-----------|-------------|---|
| Revision 0 | | | | | |
| ARIB | ARIB STD-T64-C.S0054-0 v2.0 | 2.0 | Approved | Jul 14 | http://www.arib.or.jp/english/html/overview/doc/STD-T64v6_70/Specification/ARIB_STD-T64-C.S0054-0v2.0.pdf |
| TIA | TIA-1042 | 1.0 | Published | Nov 05 | http://www.tiaonline.org/standards/technology/cdma2000/disclaimer.cfm |
| TTA | TTAT.3G-C.S0054-0 v2.0 | 2.0 | Approved | Apr 06 | http://www.tta.or.kr/data/ttasDown.jsp?where=14688&pk_num=TTAT.3G-C.S0054-0 v2.0 |
| Revision A | | | | | |
| CCSA | CCSA-TSD-MC-C.S0054-A | 1.0 | Published | Feb 06 | http://www.ccsa.org.cn/english/tc/files.php?docpath=/ITU-R/M.1457/M.1457-12/MC |
| TIA | TIA-1042-A | 1.0 | Published | Mar 13 | http://www.tiaonline.org/standards/technology/cdma2000/disclaimer.cfm |
| TTA | TTAT.3G-C.S0054-A v1.0 | 1.0 | Approved | Dec 07 | http://www.tta.or.kr/data/ttasDown.jsp?where=14688&pk_num=TTAT.3G-C.S0054-A v1.0 |

5.2.2.1.1.52 C.S0055

Packet Switched Video Telephony Services (PSVT/MCS)

This document specifies the end-to-end protocols and procedures for support of Packet Switched Video Telephony (PSVT) Services over cdma2000 networks.

| SDO (2) | Document No. | Version | Status | Issued date | Location (1) |
|-------------------|-----------------------------|---------|-----------|-------------|---|
| Revision 0 | | | | | |
| ARIB | ARIB STD-T64-C.S0055-0 v1.0 | 1.0 | Approved | Jul 14 | http://www.arib.or.jp/english/html/overview/doc/STD-T64v6_70/Specification/ARIB_STD-T64-C.S0055-0v1.0.pdf |
| TIA | TIA-1030 | 1.0 | Published | Mar 04 | http://www.tiaonline.org/standards/technology/cdma2000/disclaimer.cfm |
| TTA | TTAT.3G-C.S0055-0 v1.0 | 1.0 | Approved | Dec 07 | http://www.tta.or.kr/data/ttasDown.jsp?where=14688&pk_num=TTAT.3G-C.S0055-0 v1.0 |
| Revision A | | | | | |

| | | | | | |
|-------------------|-----------------------------|-----|-----------|--------|---|
| ARIB | ARIB STD-T64-C.S0055-A v1.0 | 1.0 | Approved | Jul 14 | http://www.arib.or.jp/english/html/overview/doc/STD-T64v6_70/Specification/ARIB_STD-T64-C.S0055-Av1.0.pdf |
| CCSA | CCSA-TSD-MC-C.S0055-A | 1.0 | Published | Jun 08 | http://www.ccsa.org.cn/english/tc/files.php?docpath=/ITU-R/M.1457/M.1457-12/MC |
| TIA | TIA-1030-A | 1.0 | Published | Aug 06 | http://www.tiaonline.org/standards/technology/cdma2000/disclaimer.cfm |
| TTA | TTAT.3G-C.S0055-A v1.0 | 1.0 | Approved | Oct 10 | http://www.tta.or.kr/data/ttasDown.jsp?where=14688&pk_num=TTAT.3G-C.S0055-A v1.0 |
| Revision B | | | | | |
| TIA | TIA-1030-B | 1.0 | Published | Dec 06 | http://www.tiaonline.org/standards/technology/cdma2000/disclaimer.cfm |
| Revision C | | | | | |
| TIA | TIA-1030-C | 1.0 | Published | Mar 09 | http://www.tiaonline.org/standards/technology/cdma2000/disclaimer.cfm |
| Revision D | | | | | |
| TIA | TIA-1030-D | 1.0 | Published | Jul 11 | http://www.tiaonline.org/standards/technology/cdma2000/disclaimer.cfm |
| Revision E | | | | | |
| TIA | TIA-1030-E | 1.0 | Published | Nov 11 | http://www.tiaonline.org/standards/technology/cdma2000/disclaimer.cfm |

5.2.2.1.1.53 C.S0056

Electro-Acoustic Recommended Minimum Performance Specification for cdma2000 Mobile Stations

This specification details definitions, methods of measurement, and minimum electro-acoustic performance characteristics for CDMA mobile stations.

| SDO (2) | Document No. | Version | Status | Issued date | Location (1) |
|-------------------|-----------------------------|---------|-----------|-------------|---|
| CCSA | CCSA-TSD-MC-C.S0056-0 | 1.0 | Published | Jul 05 | http://www.ccsa.org.cn/english/tc/files.php?docpath=/ITU-R/M.1457/M.1457-12/MC |
| Revision 0 | | | | | |
| ARIB | ARIB STD-T64-C.S0056-0 v1.0 | 1.0 | Approved | Jul 14 | http://www.arib.or.jp/english/html/overview/doc/STD-T64v6_70/Specification/ARIB_STD-T64-C.S0056-0v1.0.pdf |
| TIA | TIA-1043 | 1.0 | Published | Jan 09 | http://www.tiaonline.org/standards/technology/cdma2000/disclaimer.cfm |
| TTA | TTAT.3G-C.S0056-0 v1.0 | 1.0 | Approved | Dec 07 | http://www.tta.or.kr/data/ttasDown.jsp?where=14688&pk_num=TTAT.3G-C.S0056-0 v1.0 |
| Revision A | | | | | |
| ARIB | ARIB STD-T64-C.S0056-A v1.0 | 1.0 | Approved | Jul 14 | http://www.arib.or.jp/english/html/overview/doc/STD-T64v6_70/Specification/ARIB_STD-T64-C.S0056-Av1.0.pdf |
| CCSA | CCSA-TSD-MC-C.S0056-A | 1.0 | Published | Jun 14 | http://www.ccsa.org.cn/english/tc/files.php?docpath=/ITU-R/M.1457/M.1457-12/MC |
| TIA | TIA-1043-A | 1.0 | Published | Mar 09 | http://www.tiaonline.org/standards/technology/cdma2000/disclaimer.cfm |
| TTA | TTAT.3G-C.S0056-A v1.0 | 1.0 | Published | | http://www.tta.or.kr/data/ttasDown.jsp?where=14688&pk_num=TTAT.3G-C.S0056-A v1.0 |
| Revision B | | | | | |
| TIA | TIA-1043-B | 1.0 | Published | Jul 11 | http://www.tiaonline.org/standards/technology/cdma2000/disclaimer.cfm |

5.2.2.1.1.54 C.S0057

Band Class Specification for cdma2000 Spread Spectrum Systems

This volume defines the band classes of the CDMA Spreading Rate 1 and Spreading Rate 3 multicarrier air interface standard.

| SDO (2) | Document No. | Version | Status | Issued date | Location (1) |
|-------------------|-----------------------------|---------|-----------|-------------|---|
| Release E | | | | | |
| TTA | TTAT.3G-C.S0057-E v1.0 | 1.0 | Approved | Aug 12 | http://www.tta.or.kr/data/ttasDown.jsp?where=14688&pk_num=TTAT.3G-C.S0057-E v1.0 |
| Revision 0 | | | | | |
| ARIB | ARIB STD-T64-C.S0057-0 v1.0 | 1.0 | Approved | Jul 14 | http://www.arib.or.jp/english/html/overview/doc/STD-T64v6_70/Specification/ARIB_STD-T64-C.S0057-0v1.0.pdf |
| TIA | TIA-1038 | 1.0 | Published | Oct 09 | http://www.tiaonline.org/standards/technology/cdma2000/disclaimer.cfm |

546

| SDO (2) | Document No. | Version | Status | Issued date | Location (1) |
|-------------------|-----------------------------|---------|-----------|-------------|---|
| TTA | TTAT.3G-C.S0057-0 v1.0 | 1.0 | Approved | May 05 | http://www.tta.or.kr/data/ttasDown.jsp?where=14688&pk_num=TTAT.3G-C.S0057-0 v1.0 |
| Revision A | | | | | |
| ARIB | ARIB STD-T64-C.S0057-A v1.0 | 1.0 | Approved | Jul 14 | http://www.arib.or.jp/english/html/overview/doc/STD-T64v6_70/Specification/ARIB_STD-T64-C.S0057-Av1.0.pdf |
| CCSA | CCSA-TSD-MC-C.S0057-A | 1.0 | Published | Dec 05 | http://www.ccsa.org.cn/english/tc/files.php?docpath=/ITU-R/M.1457/M.1457-12/MC |
| TTA | TTAT.3G-C.S0057-A v1.0 | 1.0 | Approved | Apr 06 | http://www.tta.or.kr/data/ttasDown.jsp?where=14688&pk_num=TTAT.3G-C.S0057-A v1.0 |
| Revision B | | | | | |
| ARIB | ARIB STD-T64-C.S0057-B v1.0 | 1.0 | Approved | Jul 14 | http://www.arib.or.jp/english/html/overview/doc/STD-T64v6_70/Specification/ARIB_STD-T64-C.S0057-Bv1.0.pdf |
| CCSA | CCSA-TSD-MC-C.S0057-B | 1.0 | Published | Aug 06 | http://www.ccsa.org.cn/english/tc/files.php?docpath=/ITU-R/M.1457/M.1457-12/MC |
| TTA | TTAT.3G-C.S0057-B v1.0 | 1.0 | Approved | Dec 07 | http://www.tta.or.kr/data/ttasDown.jsp?where=14688&pk_num=TTAT.3G-C.S0057-B v1.0 |
| Revision C | | | | | |
| ARIB | ARIB STD-T64-C.S0057-C v1.0 | 1.0 | Approved | Jul 14 | http://www.arib.or.jp/english/html/overview/doc/STD-T64v6_70/Specification/ARIB_STD-T64-C.S0057-Cv1.0.pdf |
| CCSA | CCSA-TSD-MC-C.S0057-C | 1.0 | Published | Jul 08 | http://www.ccsa.org.cn/english/tc/files.php?docpath=/ITU-R/M.1457/M.1457-12/MC |
| TTA | TTAT.3G-C.S0057-C v1.0 | 1.0 | Approved | Jul 09 | http://www.tta.or.kr/data/ttasDown.jsp?where=14688&pk_num=TTAT.3G-C.S0057-C v1.0 |
| Revision D | | | | | |
| ARIB | ARIB STD-T64-C.S0057-D v1.0 | 1.0 | Approved | Jul 14 | http://www.arib.or.jp/english/html/overview/doc/STD-T64v6_70/Specification/ARIB_STD-T64-C.S0057-Dv1.0.pdf |
| TTA | TTAT.3G-C.S0057-D v1.0 | 1.0 | Approved | Oct 10 | http://www.tta.or.kr/data/ttasDown.jsp?where=14688&pk_num=TTAT.3G-C.S0057-D v1.0 |
| Revision E | | | | | |
| ARIB | ARIB STD-T64-C.S0057-E v1.0 | 1.0 | Approved | Jul 14 | http://www.arib.or.jp/english/html/overview/doc/STD-T64v6_70/Specification/ARIB_STD-T64-C.S0057-Ev1.0.pdf |

ITU-R M.1457-12

5.2.2.1.1.55 C.S0058

Over the Air Interoperability Specification for cdma2000 Air Interface

This specification defines air interface interoperability tests for CDMA mobile stations or access terminals.

| SDO (2) | Document No. | Version | Status | Issued date | Location (1) |
|-------------------|-----------------------------|---------|-----------|-------------|---|
| Revision 0 | | | | | |
| ARIB | ARIB STD-T64-C.S0058-0 v1.0 | 1.0 | Approved | Jul 14 | http://www.arib.or.jp/english/html/overview/doc/STD-T64v6_70/Specification/ARIB_STD-T64-C.S0058-0v1.0.pdf |
| TIA | TIA-1044 | 1.0 | Published | Feb 07 | http://www.tiaonline.org/standards/technology/cdma2000/disclaimer.cfm |
| TTA | TTAT.3G-C.S0058-0 v1.0 | 1.0 | Approved | Dec 07 | http://www.tta.or.kr/data/ttasDown.jsp?where=14688&pk_num=TTAT.3G-C.S0058-0 v1.0 |
| Revision A | | | | | |
| ARIB | ARIB STD-T64-C.S0058-A v1.0 | 1.0 | Approved | Jul 14 | http://www.arib.or.jp/english/html/overview/doc/STD-T64v6_70/Specification/ARIB_STD-T64-C.S0058-Av1.0.pdf |
| CCSA | CCSA-TSD-MC-C.S0058-A | 1.0 | Published | Feb 08 | http://www.ccsa.org.cn/english/tc/files.php?docpath=/ITU-R/M.1457/M.1457-12/MC |
| TTA | TTAT.3G-C.S0058-A v1.0 | 1.0 | Approved | Oct 08 | http://www.tta.or.kr/data/ttasDown.jsp?where=14688&pk_num=TTAT.3G-C.S0058-A v1.0 |
| Revision B | | | | | |
| ARIB | ARIB STD-T64-C.S0058-B v1.0 | 1.0 | Approved | Jul 14 | http://www.arib.or.jp/english/html/overview/doc/STD-T64v6_70/Specification/ARIB_STD-T64-C.S0058-Bv1.0.pdf |
| TTA | TTAT.3G-C.S0058-B v1.0 | 1.0 | Approved | Oct 10 | http://www.tta.or.kr/data/ttasDown.jsp?where=14688&pk_num=TTAT.3G-C.S0058-B v1.0 |

5.2.2.1.1.56 C.S0059

Signaling Conformance Test Specification for cdma2000 Position Determination Services

This specification defines Position Determination Services signaling conformance tests for CDMA mobile stations.

| SDO (2) | Document No. | Version | Status | Issued date | Location (1) |
|-------------------|-----------------------------|---------|-----------|-------------|---|
| CCSA | CCSA-TSD-MC-C.S0059-0 | 1.0 | Published | Sep 08 | http://www.ccsa.org.cn/english/tc/files.php?docpath=/ITU-R/M.1457/M.1457-12/MC |
| Revision 0 | | | | | |
| ARIB | ARIB STD-T64-C.S0059-0 v1.0 | 1.0 | Approved | Jul 14 | http://www.arib.or.jp/english/html/overview/doc/STD-T64v6_70/Specification/ARIB_STD-T64-C.S0059-0v1.0.pdf |
| TIA | TIA-1045 | 1.0 | Published | Sep 05 | http://www.tiaonline.org/standards/technology/cdma2000/disclaimer.cfm |
| TTA | TTAT.3G-C.S0059-0 v1.0 | 1.0 | Approved | Jul 09 | http://www.tta.or.kr/data/ttasDown.jsp?where=14688&pk_num=TTAT.3G-C.S0059-0 v1.0 |

5.2.2.1.1.57 C.S0060

Signalling Conformance Test Specification for Over-the-Air Service Provisioning

This specification defines mobile station and base station compliance tests for over-the-air messaging and protocol requirements in the cdma2000 family of standards.

| SDO (2) | Document No. | Version | Status | Issued date | Location (1) |
|-------------------|-----------------------------|---------|-----------|-------------|---|
| CCSA | CCSA-TSD-MC-C.S0060-0 | 1.0 | Published | Dec 05 | http://www.ccsa.org.cn/english/tc/files.php?docpath=/ITU-R/M.1457/M.1457-12/MC |
| Revision 0 | | | | | |
| ARIB | ARIB STD-T64-C.S0060-0 v1.0 | 1.0 | Approved | Jul 14 | http://www.arib.or.jp/english/html/overview/doc/STD-T64v6_70/Specification/ARIB_STD-T64-C.S0060-0v1.0.pdf |
| TIA | TIA-1046 | 1.0 | Published | Nov 11 | http://www.tiaonline.org/standards/technology/cdma2000/disclaimer.cfm |
| TTA | TTAT.3G-C.S0060-0 v1.0 | 1.0 | Approved | Dec 07 | http://www.tta.or.kr/data/ttasDown.jsp?where=14688&pk_num=TTAT.3G-C.S0060-0 v1.0 |
| Revision E | | | | | |
| CCSA | CCSA-TSD-MC-C.S0060-E | 1.0 | Published | Jun 14 | http://www.ccsa.org.cn/english/tc/files.php?docpath=/ITU-R/M.1457/M.1457-12/MC |

5.2.2.1.1.58 C.S0061

Signalling Conformance Test Specification for Short Message Service

This specification defines SMS signalling conformance tests for CDMA base stations and mobile stations.

| SDO (2) | Document No. | Version | Status | Issued date | Location (1) |
|-------------------|-----------------------------|---------|-----------|-------------|---|
| CCSA | CCSA-TSD-MC-C.S0061-0 | 1.0 | Published | Jun 05 | http://www.ccsa.org.cn/english/tc/files.php?docpath=/ITU-R/M.1457/M.1457-12/MC |
| Revision 0 | | | | | |
| ARIB | ARIB STD-T64-C.S0061-0 v1.0 | 1.0 | Approved | Jul 14 | http://www.arib.or.jp/english/html/overview/doc/STD-T64v6_70/Specification/ARIB_STD-T64-C.S0061-0v1.0.pdf |
| TIA | TIA-1054-1 | 2.0 | Published | Dec 06 | http://www.tiaonline.org/standards/technology/cdma2000/disclaimer.cfm |
| TTA | TTAT.3G-C.S0061-0 v1.0 | 1.0 | Approved | Apr 06 | http://www.tta.or.kr/data/ttasDown.jsp?where=14688&pk_num=TTAT.3G-C.S0061-0 v1.0 |
| Revision A | | | | | |
| TIA | TIA-1054-A-1[E] | 2.0 | Published | Aug 07 | http://www.tiaonline.org/standards/technology/cdma2000/disclaimer.cfm |
| Revision B | | | | | |
| CCSA | CCSA-TSD-MC-C.S0061-B | 1.0 | Published | Jun 14 | http://www.ccsa.org.cn/english/tc/files.php?docpath=/ITU-R/M.1457/M.1457-12/MC |
| TIA | TIA-1054-B | 1.0 | Published | Feb 11 | http://www.tiaonline.org/standards/technology/cdma2000/disclaimer.cfm |

5.2.2.1.1.59 C.S0062**Signaling Conformance Test Specification for cdma2000 Data Services**

This specification defines Data Services signaling conformance tests for CDMA base stations and mobile stations.

| SDO (2) | Document No. | Version | Status | Issued date | Location (1) |
|-------------------|-----------------------------|---------|-----------|-------------|---|
| CCSA | CCSA-TSD-MC-C.S0062-0 | 1.0 | Published | May 07 | http://www.ccsa.org.cn/english/tc/files.php?docpath=/ITU-R/M.1457/M.1457-12/MC |
| Revision 0 | | | | | |
| ARIB | ARIB STD-T64-C.S0062-0 v1.0 | 1.0 | Approved | Jul 14 | http://www.arib.or.jp/english/html/overview/doc/STD-T64v6_70/Specification/ARIB_STD-T64-C.S0062-0v1.0.pdf |
| TIA | TIA-1059-1[E] | 2.0 | Published | Mar 11 | http://www.tiaonline.org/standards/technology/cdma2000/disclaimer.cfm |
| TTA | TTAT.3G-C.S0062-0 v1.0 | 1.0 | Approved | Oct 08 | http://www.tta.or.kr/data/ttasDown.jsp?where=14688&pk_num=TTAT.3G-C.S0062-0 v1.0 |

5.2.2.1.1.60 C.S0063**cdma2000 High Rate Packet Data Supplemental Services**

These technical requirements form a compatibility standard for supplemental services on cdma2000 high rate packet data systems.

| SDO (2) | Document No. | Version | Status | Issued date | Location (1) |
|-------------------|-----------------------------|---------|-----------|-------------|---|
| Revision 0 | | | | | |
| ARIB | ARIB STD-T64-C.S0063-0 v2.0 | 2.0 | Approved | Jul 14 | http://www.arib.or.jp/english/html/overview/doc/STD-T64v6_70/Specification/ARIB_STD-T64-C.S0063-0v2.0.pdf |
| TIA | TIA-1080-1[E] | 2.0 | Published | Jan 09 | http://www.tiaonline.org/standards/technology/cdma2000/disclaimer.cfm |
| TTA | TTAT.3G-C.S0063-0 v2.0 | 2.0 | Approved | Dec 07 | http://www.tta.or.kr/data/ttasDown.jsp?where=14688&pk_num=TTAT.3G-C.S0063-0 v2.0 |
| Revision A | | | | | |
| ARIB | ARIB STD-T64-C.S0063-A v2.0 | 2.0 | Approved | Jul 14 | http://www.arib.or.jp/english/html/overview/doc/STD-T64v6_70/Specification/ARIB_STD-T64-C.S0063-Av2.0.pdf |
| CCSA | CCSA-TSD-MC-C.S0063-A | 2.0 | Published | Jul 07 | http://www.ccsa.org.cn/english/tc/files.php?docpath=/ITU-R/M.1457/M.1457-12/MC |
| TIA | TIA-1080-A | 1.0 | Published | Sep 09 | http://www.tiaonline.org/standards/technology/cdma2000/disclaimer.cfm |
| TTA | TTAT.3G-C.S0057-A v2.0 | 2.0 | Approved | Dec 07 | http://www.tta.or.kr/data/ttasDown.jsp?where=14688&pk_num=TTAT.3G-C.S0057-A v2.0 |
| Revision B | | | | | |
| TIA | TIA-1080-B-2[E] | 3.0 | Published | Feb 14 | http://www.tiaonline.org/standards/technology/cdma2000/disclaimer.cfm |
| TTA | TTAT.3G-C.S0063-B v1.0 | 1.0 | Approved | Oct 10 | http://www.tta.or.kr/data/ttasDown.jsp?where=14688&pk_num=TTAT.3G-C.S0063-B v1.0 |

5.2.2.1.1.61 C.S0064**IP Based Over-the-Air Device Management (IOTA-DM) for cdma2000 Systems**

This specification describes IP based Over-the-Air device management of mobile stations compliant with cdma2000 standards.

| SDO (2) | Document No. | Version | Status | Issued date | Location (1) |
|-------------------|-----------------------------|---------|-----------|-------------|---|
| CCSA | CCSA-TSD-MC-C.S0064-0 | 2.0 | Published | Jun 14 | http://www.ccsa.org.cn/english/tc/files.php?docpath=/ITU-R/M.1457/M.1457-12/MC |
| CCSA | CCSA-TSD-MC-C.S0064-0 | 1.0 | Published | Sep 05 | http://www.ccsa.org.cn/english/tc/files.php?docpath=/ITU-R/M.1457/M.1457-12/MC |
| Revision 0 | | | | | |
| ARIB | ARIB STD-T64-C.S0064-0 v2.0 | 2.0 | Approved | Jul 14 | http://www.arib.or.jp/english/html/overview/doc/STD-T64v6_70/Specification/ARIB_STD-T64-C.S0064-0v2.0.pdf |

| | | | | | |
|-----|------------------------|-----|-----------|--------|---|
| TIA | TIA-158-1 | 2.0 | Published | Nov 11 | http://www.tiaonline.org/standards/technology/cdma2000/disclaimer.cfm |
| TTA | TTAT.3G-C.S0064-0 v1.0 | 1.0 | Approved | Dec 07 | http://www.tta.or.kr/data/ttasDown.jsp?where=14688&pk_num=TTAT.3G-C.S0064-0 v1.0 |

5.2.2.1.1.62 C.S0065

cdma2000 Application on UICC for Spread Spectrum Systems

This specification defines the cdma2000 subscriber identity module (CSIM) application.

| SDO (2) | Document No. | Version | Status | Issued date | Location (1) |
|-------------------|-----------------------------|---------|-----------|-------------|---|
| CCSA | CCSA-TSD-MC-C.S0065-0 | 2.0 | Published | Dec 08 | http://www.ccsa.org.cn/english/tc/files.php?docpath=/ITU-R/M.1457/M.1457-12/MC |
| Revision 0 | | | | | |
| ARIB | ARIB STD-T64-C.S0065-0 v2.0 | 2.0 | Approved | Jul 14 | http://www.arib.or.jp/english/html/overview/doc/STD-T64v6_70/Specification/ARIB_STD-T64-C.S0065-0v2.0.pdf |
| TTA | TTAT.3G-C.S0065-0 v2.0 | 2.0 | Approved | Jul 09 | http://www.tta.or.kr/data/ttasDown.jsp?where=14688&pk_num=TTAT.3G-C.S0065-0 v2.0 |
| Revision A | | | | | |
| ARIB | ARIB STD-T64-C.S0065-A v1.0 | 1.0 | Approved | Jul 14 | http://www.arib.or.jp/english/html/overview/doc/STD-T64v6_70/Specification/ARIB_STD-T64-C.S0065-Av1.0.pdf |
| CCSA | CCSA-TSD-MC-C.S0065-0 | 1.0 | Published | Mar 10 | http://www.ccsa.org.cn/english/tc/files.php?docpath=/ITU-R/M.1457/M.1457-12/MC |
| TIA | TIA-1081-A | 1.0 | Published | Mar 10 | http://www.tiaonline.org/standards/technology/cdma2000/disclaimer.cfm |
| TTA | TTAT.3G-C.S0065-A v1.0 | 1.0 | Approved | Oct 10 | http://www.tta.or.kr/data/ttasDown.jsp?where=14688&pk_num=TTAT.3G-C.S0065-A v1.0 |
| Revision B | | | | | |
| ARIB | ARIB STD-T64-C.S0065-B v3.0 | 3.0 | Approved | Jul 14 | http://www.arib.or.jp/english/html/overview/doc/STD-T64v6_70/Specification/ARIB_STD-T64-C.S0065-Bv3.0.pdf |
| CCSA | CCSA-TSD-MC-C.S0065-B | 3.0 | Published | Jun 14 | http://www.ccsa.org.cn/english/tc/files.php?docpath=/ITU-R/M.1457/M.1457-12/MC |
| CCSA | CCSA-TSD-MC-C.S0065-B | 1.0 | Published | Mar 10 | http://www.ccsa.org.cn/english/tc/files.php?docpath=/ITU-R/M.1457/M.1457-12/MC |
| TTA | TTAT.3G-C.S0065-B v1.0 | 1.0 | Approved | Oct 10 | http://www.tta.or.kr/data/ttasDown.jsp?where=14688&pk_num=TTAT.3G-C.S0065-B v1.0 |
| TTA | TTAT.3G-C.S0065-B v3.0 | 3.0 | Published | | http://www.tta.or.kr/data/ttasDown.jsp?where=14688&pk_num=TTAT.3G-C.S0065-B v3.0 |

5.2.2.1.1.63 C.S0066

Over-the-Air Service Provisioning for MEID-Equipped Mobile Stations in Spread Spectrum Systems

This specification presents recommendations for supporting a mobile station equipped with a Mobile Equipment Identifier (MEID).

| SDO (2) | Document No. | Version | Status | Issued date | Location (1) |
|-------------------|-----------------------------|---------|-----------|-------------|---|
| CCSA | CCSA-TSD-MC-C.S0066-0 | 2.0 | Published | Jul 08 | http://www.ccsa.org.cn/english/tc/files.php?docpath=/ITU-R/M.1457/M.1457-12/MC |
| Revision 0 | | | | | |
| ARIB | ARIB STD-T64-C.S0066-0 v2.0 | 2.0 | Approved | Jul 14 | http://www.arib.or.jp/english/html/overview/doc/STD-T64v6_70/Specification/ARIB_STD-T64-C.S0066-0v2.0.pdf |
| TIA | TIA-1009 | 1.0 | Published | Oct 06 | http://www.tiaonline.org/standards/technology/cdma2000/disclaimer.cfm |
| TTA | TTAT.3G-C.S0066-0 v2.0 | 2.0 | Approved | Jul 09 | http://www.tta.or.kr/data/ttasDown.jsp?where=14688&pk_num=TTAT.3G-C.S0066-0 v2.0 |

5.2.2.1.1.64 C.S0067

Generic Key Exchange Protocol for cdma2000 High Rate Packet Data Air Interface

This specification defines the generic key exchange protocol for the cdma2000 high rate packet data air interface.

550

ITU-R M.1457-12

| SDO (2) | Document No. | Version | Status | Issued date | Location (1) |
|-------------------|-----------------------------|---------|-----------|-------------|---|
| Revision 0 | | | | | |
| ARIB | ARIB STD-T64-C.S0067-0 v1.0 | 1.0 | Approved | Jul 14 | http://www.arib.or.jp/english/html/overview/doc/STD-T64v6_70/Specification/ARIB_STD-T64-C.S0067-0v1.0.pdf |
| TIA | TIA-1078 | 1.0 | Published | Mar 09 | http://www.tiaonline.org/standards/technology/cdma2000/disclaimer.cfm |
| TTA | TTAT.3G-C.S0067-0 v1.0 | 1.0 | Approved | Dec 07 | http://www.tta.or.kr/data/ttasDown.jsp?where=14688&pk_num=TTAT.3G-C.S0067-0 v1.0 |
| Revision A | | | | | |
| ARIB | ARIB STD-T64-C.S0067-A v1.0 | 1.0 | Approved | Jul 14 | http://www.arib.or.jp/english/html/overview/doc/STD-T64v6_70/Specification/ARIB_STD-T64-C.S0067-Av1.0.pdf |
| CCSA | CCSA-TSD-MC-C.S0067-A | 1.0 | Published | Feb 09 | http://www.ccsa.org.cn/english/tc/files.php?docpath=/ITU-R/M.1457/M.1457-12/MC |
| TTA | TTAT.3G-C.S0067-A v1.0 | 1.0 | Approved | Jul 09 | http://www.tta.or.kr/data/ttasDown.jsp?where=14688&pk_num=TTAT.3G-C.S0067-A v1.0 |

5.2.2.1.1.65 C.S0068

ME Personalization for cdma2000 Spread Spectrum Systems

This specification defines the mobile equipment personalization feature.

| SDO (2) | Document No. | Version | Status | Issued date | Location (1) |
|-------------------|-----------------------------|---------|-----------|-------------|---|
| CCSA | CCSA-TSD-MC-C.S0068-0 | 1.0 | Published | May 06 | http://www.ccsa.org.cn/english/tc/files.php?docpath=/ITU-R/M.1457/M.1457-12/MC |
| Revision 0 | | | | | |
| ARIB | ARIB STD-T64-C.S0068-0 v1.0 | 1.0 | Approved | Jul 14 | http://www.arib.or.jp/english/html/overview/doc/STD-T64v6_70/Specification/ARIB_STD-T64-C.S0068-0v1.0.pdf |
| TIA | TIA-1077 | 1.0 | Published | Feb 11 | http://www.tiaonline.org/standards/technology/cdma2000/disclaimer.cfm |
| TTA | TTAT.3G-C.S0068-0 v1.0 | 1.0 | Approved | Dec 07 | http://www.tta.or.kr/data/ttasDown.jsp?where=14688&pk_num=TTAT.3G-C.S0068-0 v1.0 |

5.2.2.1.1.66 C.S0069

ISIM Application on UICC for cdma2000 Spread Spectrum Systems

This specification defines the IP multimedia services identity module (ISIM) application.

| SDO (2) | Document No. | Version | Status | Issued date | Location (1) |
|-------------------|-----------------------------|---------|-----------|-------------|---|
| CCSA | CCSA-TSD-MC-C.S0069-0 | 1.0 | Published | Feb 09 | http://www.ccsa.org.cn/english/tc/files.php?docpath=/ITU-R/M.1457/M.1457-12/MC |
| Revision 0 | | | | | |
| ARIB | ARIB STD-T64-C.S0069-0 v1.0 | 1.0 | Approved | Jul 14 | http://www.arib.or.jp/english/html/overview/doc/STD-T64v6_70/Specification/ARIB_STD-T64-C.S0069-0v1.0.pdf |
| TIA | TIA-1082 | 1.0 | Published | Sep 05 | http://www.tiaonline.org/standards/technology/cdma2000/disclaimer.cfm |
| TTA | TTAT.3G-C.S0069-0 v1.0 | 1.0 | Approved | Dec 07 | http://www.tta.or.kr/data/ttasDown.jsp?where=14688&pk_num=TTAT.3G-C.S0069-0 v1.0 |

5.2.2.1.1.67 C.S0070

BCMCS Coders and Transport Protocols

This specification recommends media types and protocols to support delivery of broadcast multicast services.

| SDO (2) | Document No. | Version | Status | Issued date | Location (1) |
|-------------------|---------------------|---------|-----------|-------------|---|
| CCSA | CCSA-TSD-MC-C.S0070 | 1.0 | Published | Jun 12 | http://www.ccsa.org.cn/english/tc/files.php?docpath=/ITU-R/M.1457/M.1457-12/MC |
| Revision 0 | | | | | |

| | | | | | |
|-------------------|-----------------------------|-----|-----------|--------|---|
| ARIB | ARIB STD-T64-C.S0070-0 v1.0 | 1.0 | Approved | Jul 14 | http://www.arib.or.jp/english/html/overview/doc/STD-T64v6_70/Specification/ARIB_STD-T64-C.S0070-0v1.0.pdf |
| TIA | TIA-1084 | 1.0 | Published | Mar 09 | http://www.tiaonline.org/standards/technology/cdma2000/disclaimer.cfm |
| Revision A | | | | | |
| TIA | TIA-1084-A | 1.0 | Published | Mar 10 | http://www.tiaonline.org/standards/technology/cdma2000/disclaimer.cfm |
| Revision B | | | | | |
| TIA | TIA-1084-B | 1.0 | Published | Mar 10 | http://www.tiaonline.org/standards/technology/cdma2000/disclaimer.cfm |

5.2.2.1.1.68 C.S0072

Mobile Station Equipment Identifier (MEID) Support for cdma2000 Spread Spectrum Systems

This specification defines the air interface requirements for implementing MEID and enhanced private long code mask (PLCM) features in Revision 0 through Revision C mobile stations and base stations.

| SDO (2) | Document No. | Version | Status | Issued date | Location (1) |
|-------------------|-----------------------------|---------|-----------|-------------|---|
| CCSA | CCSA-TSD-MC-C.S0072-0 | 1.0 | Published | Jul 05 | http://www.ccsa.org.cn/english/tc/files.php?docpath=/ITU-R/M.1457/M.1457-12/MC |
| Revision 0 | | | | | |
| ARIB | ARIB STD-T64-C.S0072-0 v1.0 | 1.0 | Approved | Jul 14 | http://www.arib.or.jp/english/html/overview/doc/STD-T64v6_70/Specification/ARIB_STD-T64-C.S0072-0v1.0.pdf |
| TIA | TIA-1058 | 1.0 | Published | Jan 09 | http://www.tiaonline.org/standards/technology/cdma2000/disclaimer.cfm |
| TTA | TTAT.3G-C.S0072-0 v1.0 | 1.0 | Approved | Dec 07 | http://www.tta.or.kr/data/ttasDown.jsp?where=14688&pk_num=TTAT.3G-C.S0072-0 v1.0 |
| Revision A | | | | | |
| TIA | TIA-1058-A | 1.0 | Published | Mar 10 | http://www.tiaonline.org/standards/technology/cdma2000/disclaimer.cfm |

5.2.2.1.1.69 C.S0073

Signalling Test Specification for Mobile Station Equipment Identifier (MEID) Support for cdma2000 Spread Spectrum Systems

This specification defines air interface signalling conformance and interoperability tests for CDMA base stations and mobile stations implementing MEID.

| SDO (2) | Document No. | Version | Status | Issued date | Location (1) |
|-------------------|-----------------------------|---------|-----------|-------------|---|
| Revision 0 | | | | | |
| ARIB | ARIB STD-T64-C.S0073-0 v1.0 | 1.0 | Approved | Jul 14 | http://www.arib.or.jp/english/html/overview/doc/STD-T64v6_70/Specification/ARIB_STD-T64-C.S0073-0v1.0.pdf |
| TIA | TIA-1094 | 1.0 | Published | Sep 07 | http://www.tiaonline.org/standards/technology/cdma2000/disclaimer.cfm |
| TTA | TTAT.3G-C.S0073-0 v1.0 | 1.0 | Approved | Dec 07 | http://www.tta.or.kr/data/ttasDown.jsp?where=14688&pk_num=TTAT.3G-C.S0073-0 v1.0 |
| Revision A | | | | | |
| ARIB | ARIB STD-T64-C.S0073-A v1.0 | 1.0 | Approved | Jul 14 | http://www.arib.or.jp/english/html/overview/doc/STD-T64v6_70/Specification/ARIB_STD-T64-C.S0073-Av1.0.pdf |
| CCSA | CCSA-TSD-MC-C.S0073-A | 1.0 | Published | Mar 08 | http://www.ccsa.org.cn/english/tc/files.php?docpath=/ITU-R/M.1457/M.1457-12/MC |
| TTA | TTAT.3G-C.S0073-A v1.0 | 1.0 | Approved | Oct 08 | http://www.tta.or.kr/data/ttasDown.jsp?where=14688&pk_num=TTAT.3G-C.S0073-A v1.0 |
| Revision B | | | | | |
| ARIB | ARIB STD-T64-C.S0073-B v1.0 | 1.0 | Approved | Jul 14 | http://www.arib.or.jp/english/html/overview/doc/STD-T64v6_70/Specification/ARIB_STD-T64-C.S0073-Bv1.0.pdf |
| CCSA | CCSA-TSD-MC-C.S0073-A | 1.0 | Published | Mar 10 | http://www.ccsa.org.cn/english/tc/files.php?docpath=/ITU-R/M.1457/M.1457-12/MC |
| TTA | TTAT.3G-C.S0073-B v1.0 | 1.0 | Approved | Oct 10 | http://www.tta.or.kr/data/ttasDown.jsp?where=14688&pk_num=TTAT.3G-C.S0073-B v1.0 |

5.2.2.1.1.70 C.S0074

UICC-Terminal interface Physical and Logical characteristics for cdma2000 Spread Spectrum Systems

This specification specifies the interface between the UICC and the Terminal for cdma2000 network operation.

| SDO (2) | Document No. | Version | Status | Issued date | Location (1) |
|-------------------|-----------------------------|---------|-----------|-------------|---|
| CCSA | CCSA-TSD-MC-C.S0074-0 | 1.0 | Published | Feb 09 | http://www.ccsa.org.cn/english/tc/files.php?docpath=/ITU-R/M.1457/M.1457-12/MC |
| Revision 0 | | | | | |
| ARIB | ARIB STD-T64-C.S0074-0 v1.0 | 1.0 | Approved | Jul 14 | http://www.arib.or.jp/english/html/overview/doc/STD-T64v6_70/Specification/ARIB_STD-T64-C.S0074-0v1.0.pdf |
| TIA | TIA-1095 | 1.0 | Published | Apr 06 | http://www.tiaonline.org/standards/technology/cdma2000/disclaimer.cfm |
| TTA | TTAT.3G-C.S0074-0 v1.0 | 1.0 | Approved | Dec 07 | http://www.tta.or.kr/data/ttasDown.jsp?where=14688&pk_num=TTAT.3G-C.S0074-0 v1.0 |
| Revision A | | | | | |
| ARIB | ARIB STD-T64-C.S0074-A v1.0 | 1.0 | Approved | Jul 14 | http://www.arib.or.jp/english/html/overview/doc/STD-T64v6_70/Specification/ARIB_STD-T64-C.S0074-Av1.0.pdf |
| CCSA | CCSA-TSD-MC-C.S0074-A | 1.0 | Published | Mar 10 | http://www.ccsa.org.cn/english/tc/files.php?docpath=/ITU-R/M.1457/M.1457-12/MC |

5.2.2.1.1.71 C.S0075

Interworking Specification for cdma2000 1x and High Rate Packet Data Systems

This specification contains the air interface requirements for facilitating interworking between cdma2000 HRPD and 1x systems.

| SDO (2) | Document No. | Version | Status | Issued date | Location (1) |
|-------------------|-----------------------------|---------|-----------|-------------|---|
| CCSA | CCSA-TSD-MC-C.S0075-0 | 1.0 | Published | Mar 06 | http://www.ccsa.org.cn/english/tc/files.php?docpath=/ITU-R/M.1457/M.1457-12/MC |
| Revision 0 | | | | | |
| ARIB | ARIB STD-T64-C.S0075-0 v1.0 | 1.0 | Approved | Jul 14 | http://www.arib.or.jp/english/html/overview/doc/STD-T64v6_70/Specification/ARIB_STD-T64-C.S0075-0v1.0.pdf |
| TIA | TIA-1101 | 1.0 | Published | Aug 06 | http://www.tiaonline.org/standards/technology/cdma2000/disclaimer.cfm |
| TTA | TTAT.3G-C.S0075-0 v1.0 | 1.0 | Approved | Dec 07 | http://www.tta.or.kr/data/ttasDown.jsp?where=14688&pk_num=TTAT.3G-C.S0075-0 v1.0 |

5.2.2.1.1.72 C.S0076

Discontinuous Transmission (DTX) of Speech in cdma2000 Systems

This specification provides requirements for source controlled variable rate vocoders to implement DTX.

| SDO (2) | Document No. | Version | Status | Issued date | Location (1) |
|-------------------|-----------------------------|---------|-----------|-------------|---|
| CCSA | CCSA-TSD-MC-C.S0076-0 | 1.0 | Published | Dec 05 | http://www.ccsa.org.cn/english/tc/files.php?docpath=/ITU-R/M.1457/M.1457-12/MC |
| Revision 0 | | | | | |
| ARIB | ARIB STD-T64-C.S0076-0 v1.0 | 1.0 | Approved | Jul 14 | http://www.arib.or.jp/english/html/overview/doc/STD-T64v6_70/Specification/ARIB_STD-T64-C.S0076-0v1.0.pdf |
| TIA | TIA-1106 | 1.0 | Published | May 07 | http://www.tiaonline.org/standards/technology/cdma2000/disclaimer.cfm |
| TTA | TTAT.3G-C.S0076-0 v1.0 | 1.0 | Approved | Dec 07 | http://www.tta.or.kr/data/ttasDown.jsp?where=14688&pk_num=TTAT.3G-C.S0076-0 v1.0 |

5.2.2.1.1.73 C.S0077

Broadcast Multicast Service for cdma2000 1x Systems

This specification defines requirements for support of the Broadcast/Multicast Service (BCMCS) capability on cdma2000 1x spread spectrum systems.

| SDO (2) | Document No. | Version | Status | Issued date | Location (1) |
|-------------------|-----------------------------|---------|-----------|-------------|---|
| CCSA | CCSA-TSD-MC-C.S0077-0 | 1.0 | Published | May 06 | http://www.ccsa.org.cn/english/tc/files.php?docpath=/ITU-R/M.1457/M.1457-12/MC |
| Revision 0 | | | | | |
| ARIB | ARIB STD-T64-C.S0077-0 v1.0 | 1.0 | Approved | Jul 14 | http://www.arib.or.jp/english/html/overview/doc/STD-T64v6_70/Specification/ARIB_STD-T64-C.S0077-0v1.0.pdf |
| TIA | TIA-1107 | 1.0 | Published | Jan 09 | http://www.tiaonline.org/standards/technology/cdma2000/disclaimer.cfm |
| TTA | TTAT.3G-C.S0077-0 v1.0 | 1.0 | Approved | Dec 07 | http://www.tta.or.kr/data/ttasDown.jsp?where=14688&pk_num=TTAT.3G-C.S0077-0 v1.0 |

5.2.2.1.1.74 C.S0078

Secured Packet Structure for CDMA Card Application Toolkit (CCAT) Applications

This specification specifies the bearer specific part of secured packets structure.

| SDO (2) | Document No. | Version | Status | Issued date | Location (1) |
|-------------------|-----------------------------|---------|-----------|-------------|---|
| CCSA | CCSA-TSD-MC-C.S0078-0 | 1.0 | Published | Nov 06 | http://www.ccsa.org.cn/english/tc/files.php?docpath=/ITU-R/M.1457/M.1457-12/MC |
| Revision 0 | | | | | |
| ARIB | ARIB STD-T64-C.S0078-0 v1.0 | 1.0 | Approved | Jul 14 | http://www.arib.or.jp/english/html/overview/doc/STD-T64v6_70/Specification/ARIB_STD-T64-C.S0078-0v1.0.pdf |
| TIA | TIA-1119 | 1.0 | Published | Sep 07 | http://www.tiaonline.org/standards/technology/cdma2000/disclaimer.cfm |
| TTA | TTAT.3G-C.S0078-0 v1.0 | 1.0 | Approved | Dec 07 | http://www.tta.or.kr/data/ttasDown.jsp?where=14688&pk_num=TTAT.3G-C.S0078-0 v1.0 |

5.2.2.1.1.75 C.S0079

Remote APDU Structure for CDMA Card Application Toolkit (CCAT) Applications

This specification specifies the bearer specific part of Remote APDU (Application Protocol Data Unit) structure.

| SDO (2) | Document No. | Version | Status | Issued date | Location (1) |
|-------------------|-----------------------------|---------|-----------|-------------|---|
| CCSA | CCSA-TSD-MC-C.S0079-0 | 1.0 | Published | Nov 06 | http://www.ccsa.org.cn/english/tc/files.php?docpath=/ITU-R/M.1457/M.1457-12/MC |
| Revision 0 | | | | | |
| ARIB | ARIB STD-T64-C.S0079-0 v1.0 | 1.0 | Approved | Jul 14 | http://www.arib.or.jp/english/html/overview/doc/STD-T64v6_70/Specification/ARIB_STD-T64-C.S0079-0v1.0.pdf |
| TIA | TIA-1110 | 1.0 | Published | Sep 07 | http://www.tiaonline.org/standards/technology/cdma2000/disclaimer.cfm |
| TTA | TTAT.3G-C.S0079-0 v1.0 | 1.0 | Approved | Dec 07 | http://www.tta.or.kr/data/ttasDown.jsp?where=14688&pk_num=TTAT.3G-C.S0079-0 v1.0 |

5.2.2.1.1.76 C.S0081

Signaling Conformance Specification for cdma2000 High Rate Packet Data Supplemental Services

This document specifies the signaling conformance tests for the cdma2000®1 High Rate Packet Data supplemental services.

| SDO (2) | Document No. | Version | Status | Issued date | Location (1) |
|-------------------|-----------------------------|---------|-----------|-------------|---|
| CCSA | CCSA-TSD-MC-C.S0081-0 | 1.0 | Published | Mar 07 | http://www.ccsa.org.cn/english/tc/files.php?docpath=/ITU-R/M.1457/M.1457-12/MC |
| Revision 0 | | | | | |
| ARIB | ARIB STD-T64-C.S0081-0 v1.0 | 1.0 | Approved | Jul 14 | http://www.arib.or.jp/english/html/overview/doc/STD-T64v6_70/Specification/ARIB_STD-T64-C.S0081-0v1.0.pdf |
| TIA | TIA-1131 | 1.0 | Published | May 09 | http://www.tiaonline.org/standards/technology/cdma2000/disclaimer.cfm |

TTA TTAT.3G-C.S0081-0 v1.0 1.0 Approved Oct 08 http://www.tta.or.kr/data/ttasDown.jsp?where=14688&pk_num=TTAT.3G-C.S0081-0 v1.0

5.2.2.1.1.77 C.S0082

Circuit Services Notification Application Specification for cdma2000 High Rate Packet Data

These technical requirements form a compatibility standard for 3G1X Circuit Services Notification services on cdma2000 high rate packet data systems.

| SDO (2) | Document No. | Version | Status | Issued date | Location (1) |
|-------------------|-----------------------------|---------|-----------|-------------|---|
| CCSA | CCSA-TSD-MC-C.S0082-0 | 1.0 | Published | Dec 06 | http://www.ccsa.org.cn/english/tc/files.php?docpath=/ITU-R/M.1457/M.1457-12/MC |
| Revision 0 | | | | | |
| ARIB | ARIB STD-T64-C.S0082-0 v1.0 | 1.0 | Approved | Jul 14 | http://www.arib.or.jp/english/html/overview/doc/STD-T64v6_70/Specification/ARIB_STD-T64-C.S0082-0v1.0.pdf |
| TIA | TIA-1121.004-1 | 3.0 | Published | May 09 | http://www.tiaonline.org/standards/technology/cdma2000/disclaimer.cfm |
| TIA | TIA-1121.008-1 | 3.0 | Published | May 09 | http://www.tiaonline.org/standards/technology/cdma2000/disclaimer.cfm |
| TIA | TIA-1121.007-1 | 3.0 | Published | May 09 | http://www.tiaonline.org/standards/technology/cdma2000/disclaimer.cfm |
| TIA | TIA-1121.009-1 | 3.0 | Published | May 09 | http://www.tiaonline.org/standards/technology/cdma2000/disclaimer.cfm |
| TIA | TIA-1121.005-1 | 3.0 | Published | May 09 | http://www.tiaonline.org/standards/technology/cdma2000/disclaimer.cfm |
| TIA | TIA-1121.003-1 | 3.0 | Published | May 09 | http://www.tiaonline.org/standards/technology/cdma2000/disclaimer.cfm |
| TIA | TIA-1121.002-1 | 3.0 | Published | May 09 | http://www.tiaonline.org/standards/technology/cdma2000/disclaimer.cfm |
| TIA | TIA-1121.001-1 | 3.0 | Published | May 09 | http://www.tiaonline.org/standards/technology/cdma2000/disclaimer.cfm |
| TIA | TIA-1121.006-1 | 3.0 | Published | May 09 | http://www.tiaonline.org/standards/technology/cdma2000/disclaimer.cfm |
| TIA | TIA-1121.000-1 | 3.0 | Published | May 09 | http://www.tiaonline.org/standards/technology/cdma2000/disclaimer.cfm |
| TTA | TTAT.3G-C.S0082-0 v1.0 | 1.0 | Approved | Dec 07 | http://www.tta.or.kr/data/ttasDown.jsp?where=14688&pk_num=TTAT.3G-C.S0082-0 v1.0 |
| Revision A | | | | | |
| TIA | TIA-1121.000-A | 1.0 | Published | May 09 | http://www.tiaonline.org/standards/technology/cdma2000/disclaimer.cfm |

5.2.2.1.1.78 C.S0083

Video Codec for 3GPP2 Packet Switched Multimedia Services – H.263

This specification provides normative and informative recommendations for H.263 decoding for 3GPP2 Packet Switched Multimedia Services.

| SDO (2) | Document No. | Version | Status | Issued date | Location (1) |
|-------------------|-----------------------------|---------|-----------|-------------|---|
| CCSA | CCSA-TSD-MC-C.S0083-0 | 1.0 | Published | Aug 07 | http://www.ccsa.org.cn/english/tc/files.php?docpath=/ITU-R/M.1457/M.1457-12/MC |
| Revision 0 | | | | | |
| ARIB | ARIB STD-T64-C.S0083-0 v1.0 | 1.0 | Approved | Jul 14 | http://www.arib.or.jp/english/html/overview/doc/STD-T64v6_70/Specification/ARIB_STD-T64-C.S0083-0v1.0.pdf |
| TIA | TIA-1122 | 1.0 | Published | Aug 07 | http://www.tiaonline.org/standards/technology/cdma2000/disclaimer.cfm |
| TTA | TTAT.3G-C.S0083-0 v1.0 | 1.0 | Approved | Oct 08 | http://www.tta.or.kr/data/ttasDown.jsp?where=14688&pk_num=TTAT.3G-C.S0083-0 v1.0 |
| Revision A | | | | | |
| TIA | TIA-1122 -A | 1.0 | Published | Sep 11 | http://www.tiaonline.org/standards/technology/cdma2000/disclaimer.cfm |

5.2.2.1.1.79 C.S0084-000

Overview for Ultra Mobile Broadband (UMB) Air Interface Specification

This volume provides an overview of the UMB air interface standard.

| SDO (2) | Document No. | Version | Status | Issued date | Location (1) |
|-------------------|----------------------------|---------|-----------|-------------|---|
| CCSA | CCSA-TSD-MC-C.S0084-000 | 3.0 | Published | Sep 08 | http://www.ccsa.org.cn/english/tc/files.php?docpath=/ITU-R/M.1457/M.1457-12/MC |
| Revision 0 | | | | | |
| TIA | TIA-1140 | 1.0 | Published | Feb 11 | http://www.tiaonline.org/standards/technology/cdma2000/disclaimer.cfm |
| TTA | TTAT.3G-C.S0084-000 v3.0 | 3.0 | Approved | Jul 09 | http://www.tta.or.kr/data/ttasDown.jsp?where=14688&pk_num=TTAT.3G-C.S0084-000 v3.0 |
| Revision A | | | | | |
| CCSA | CCSA-TSD-MC-C.S0084-000-A | 1.0 | Published | Jun 14 | http://www.ccsa.org.cn/english/tc/files.php?docpath=/ITU-R/M.1457/M.1457-12/MC |
| TTA | TTAT.3G-C.S0084-000-A v1.0 | 1.0 | Approved | Jul 09 | http://www.tta.or.kr/data/ttasDown.jsp?where=14688&pk_num=TTAT.3G-C.S0084-000-A v1.0 |

5.2.2.1.1.80 C.S0084-001

Physical Layer for Ultra Mobile Broadband (UMB) Air Interface Specification

This volume defines the physical layer of the UMB air interface standard.

| SDO (2) | Document No. | Version | Status | Issued date | Location (1) |
|-------------------|--------------------------|---------|-----------|-------------|---|
| CCSA | CCSA-TSD-MC-C.S0084-001 | 3.0 | Published | Sep 08 | http://www.ccsa.org.cn/english/tc/files.php?docpath=/ITU-R/M.1457/M.1457-12/MC |
| Revision 0 | | | | | |
| TIA | TIA-1138-2[E] | 3.0 | Published | Feb 12 | http://www.tiaonline.org/standards/technology/cdma2000/disclaimer.cfm |
| TTA | TTAT.3G-C.S0084-001 v3.0 | 3.0 | Approved | Jul 09 | http://www.tta.or.kr/data/ttasDown.jsp?where=14688&pk_num=TTAT.3G-C.S0084-001 v3.0 |
| Revision A | | | | | |
| TIA | TIA-1138-A-2[E] | 3.0 | Published | Jan 14 | http://www.tiaonline.org/standards/technology/cdma2000/disclaimer.cfm |

5.2.2.1.1.81 C.S0084-002

MAC Layer for Ultra Mobile Broadband (UMB) Air Interface Specification

This volume defines the medium access control layer of the UMB air interface standard.

| SDO (2) | Document No. | Version | Status | Issued date | Location (1) |
|-------------------|--------------------------|---------|-----------|-------------|---|
| CCSA | CCSA-TSD-MC-C.S0084-002 | 3.0 | Published | Oct 08 | http://www.ccsa.org.cn/english/tc/files.php?docpath=/ITU-R/M.1457/M.1457-12/MC |
| Revision 0 | | | | | |
| TIA | TIA-1170 | 1.0 | Published | Feb 10 | http://www.tiaonline.org/standards/technology/cdma2000/disclaimer.cfm |
| TTA | TTAT.3G-C.S0084-002 v3.0 | 3.0 | Approved | Jul 09 | http://www.tta.or.kr/data/ttasDown.jsp?where=14688&pk_num=TTAT.3G-C.S0084-002 v3.0 |

5.2.2.1.1.82 C.S0084-003

Radio Link Layer for Ultra Mobile Broadband (UMB) Air Interface Specification

This volume defines the radio link layer of the UMB air interface standard.

| SDO (2) | Document No. | Version | Status | Issued date | Location (1) |
|-------------------|-------------------------|---------|-----------|-------------|---|
| CCSA | CCSA-TSD-MC-C.S0084-003 | 3.0 | Published | Sep 08 | http://www.ccsa.org.cn/english/tc/files.php?docpath=/ITU-R/M.1457/M.1457-12/MC |
| Revision 0 | | | | | |

556

ITU-R M.1457-12

| | | | | | |
|-----|--------------------------|-----|-----------|--------|---|
| TIA | TIA-1171 | 1.0 | Published | Feb 10 | http://www.tiaonline.org/standards/technology/cdma2000/disclaimer.cfm |
| TTA | TTAT.3G-C.S0084-003 v3.0 | 3.0 | Approved | Jul 09 | http://www.tta.or.kr/data/ttasDown.jsp?where=14688&pk_num=TTAT.3G-C.S0084-003 v3.0 |

5.2.2.1.1.83 C.S0084-004

Application Layer for Ultra Mobile Broadband (UMB) Air Interface Specification

This volume defines the application layer of the UMB air interface standard.

| SDO (2) | Document No. | Version | Status | Issued date | Location (1) |
|-------------------|--------------------------|---------|-----------|-------------|---|
| CCSA | CCSA-TSD-MC-C.S0084-004 | 3.0 | Published | Sep 08 | http://www.ccsa.org.cn/english/tc/files.php?docpath=/ITU-R/M.1457/M.1457-12/MC |
| Revision 0 | | | | | |
| TIA | TIA-1172 | 1.0 | Published | Feb 10 | http://www.tiaonline.org/standards/technology/cdma2000/disclaimer.cfm |
| TTA | TTAT.3G-C.S0084-004 v3.0 | 3.0 | Approved | Jul 09 | http://www.tta.or.kr/data/ttasDown.jsp?where=14688&pk_num=TTAT.3G-C.S0084-004 v3.0 |

5.2.2.1.1.84 C.S0084-005

Security Functions for Ultra Mobile Broadband (UMB) Air Interface Specification

This volume defines the security functions of the UMB air interface standard.

| SDO (2) | Document No. | Version | Status | Issued date | Location (1) |
|-------------------|--------------------------|---------|-----------|-------------|---|
| CCSA | CCSA-TSD-MC-C.S0084-005 | 3.0 | Published | Sep 08 | http://www.ccsa.org.cn/english/tc/files.php?docpath=/ITU-R/M.1457/M.1457-12/MC |
| Revision 0 | | | | | |
| TIA | TIA-1151 | 1.0 | Published | Jan 09 | http://www.tiaonline.org/standards/technology/cdma2000/disclaimer.cfm |
| TTA | TTAT.3G-C.S0084-005 v3.0 | 3.0 | Approved | Jul 09 | http://www.tta.or.kr/data/ttasDown.jsp?where=14688&pk_num=TTAT.3G-C.S0084-005 v3.0 |

5.2.2.1.1.85 C.S0084-006

5.2.2.1.1.85 C.S0084-006

Connection Control Plane for Ultra Mobile Broadband (UMB) Air Interface Specification

This volume defines the connection control plane of the UMB air interface standard.

| SDO (2) | Document No. | Version | Status | Issued date | Location (1) |
|-------------------|--------------------------|---------|-----------|-------------|---|
| CCSA | CCSA-TSD-MC-C.S0084-006 | 3.0 | Published | Sep 08 | http://www.ccsa.org.cn/english/tc/files.php?docpath=/ITU-R/M.1457/M.1457-12/MC |
| Revision 0 | | | | | |
| TIA | TIA-1150 | 1.0 | Published | Jan 09 | http://www.tiaonline.org/standards/technology/cdma2000/disclaimer.cfm |
| TTA | TTAT.3G-C.S0084-006 v3.0 | 3.0 | Approved | Jul 09 | http://www.tta.or.kr/data/ttasDown.jsp?where=14688&pk_num=TTAT.3G-C.S0084-006 v3.0 |

5.2.2.1.1.86 C.S0084-007

Session Control Plane for Ultra Mobile Broadband (UMB) Air Interface Specification

This volume defines the session control plane of the UMB air interface standard.

| SDO (2) | Document No. | Version | Status | Issued date | Location (1) |
|-------------------|--------------------------|---------|-----------|-------------|---|
| CCSA | CCSA-TSD-MC-C.S0084-007 | 3.0 | Published | Sep 08 | http://www.ccsa.org.cn/english/tc/files.php?docpath=/ITU-R/M.1457/M.1457-12/MC |
| Revision 0 | | | | | |
| TIA | TIA-1157 | 1.0 | Published | Jul 09 | http://www.tiaonline.org/standards/technology/cdma2000/disclaimer.cfm |
| TTA | TTAT.3G-C.S0084-007 v3.0 | 3.0 | Approved | Jul 09 | http://www.tta.or.kr/data/ttasDown.jsp?where=14688&pk_num=TTAT.3G-C.S0084-007 v3.0 |
| Revision A | | | | | |
| TIA | TIA-1157-A | 1.0 | Published | Aug 10 | http://www.tiaonline.org/standards/technology/cdma2000/disclaimer.cfm |

5.2.2.1.1.87 C.S0084-008

Route Control Plane for Ultra Mobile Broadband (UMB) Air Interface Specification

This volume defines the route control plane of the UMB air interface standard.

| SDO (2) | Document No. | Version | Status | Issued date | Location (1) |
|-------------------|--------------------------|---------|-----------|-------------|---|
| CCSA | CCSA-TSD-MC-C.S0084-008 | 3.0 | Published | Oct 08 | http://www.ccsa.org.cn/english/tc/files.php?docpath=/ITU-R/M.1457/M.1457-12/MC |
| Revision 0 | | | | | |
| TIA | TIA-1173-1[E] | 2.0 | Published | Oct 11 | http://www.tiaonline.org/standards/technology/cdma2000/disclaimer.cfm |
| TTA | TTAT.3G-C.S0084-008 v3.0 | 3.0 | Approved | Jul 09 | http://www.tta.or.kr/data/ttasDown.jsp?where=14688&pk_num=TTAT.3G-C.S0084-008 v3.0 |
| Revision A | | | | | |
| TIA | TIA-1173-A | 1.0 | Published | Oct 13 | http://www.tiaonline.org/standards/technology/cdma2000/disclaimer.cfm |

5.2.2.1.1.88 C.S0084-009

Broadcast-Multicast Upper Layers for Ultra Mobile Broadband (UMB) Air Interface Specification

This volume defines the broadcast multicast upper layers of the UMB air interface standard.

| SDO (2) | Document No. | Version | Status | Issued date | Location (1) |
|-------------------|--------------------------|---------|-----------|-------------|---|
| CCSA | CCSA-TSD-MC-C.S0084-009 | 3.0 | Published | Sep 08 | http://www.ccsa.org.cn/english/tc/files.php?docpath=/ITU-R/M.1457/M.1457-12/MC |
| Revision 0 | | | | | |
| TIA | TIA-1214 | 1.0 | Published | Feb 11 | http://www.tiaonline.org/standards/technology/cdma2000/disclaimer.cfm |
| TTA | TTAT.3G-C.S0084-009 v3.0 | 3.0 | Approved | Jul 09 | http://www.tta.or.kr/data/ttasDown.jsp?where=14688&pk_num=TTAT.3G-C.S0084-009 v3.0 |
| Revision A | | | | | |
| TIA | TIA-1214-A | 1.0 | Published | May 12 | http://www.tiaonline.org/standards/technology/cdma2000/disclaimer.cfm |

5.2.2.1.1.89 C.S0085

VoIP Codecs and Protocols

This specification includes recommendations for VoIP codecs as well as protocol configuration to enable efficient support of VoIP over HRPD Rev A.

| SDO (2) | Document No. | Version | Status | Issued date | Location (1) |
|-------------------|-----------------------------|---------|-----------|-------------|---|
| CCSA | CCSA-TSD-MC-C.S0085-0 | 1.0 | Published | May 07 | http://www.ccsa.org.cn/english/tc/files.php?docpath=/ITU-R/M.1457/M.1457-12/MC |
| Revision 0 | | | | | |
| ARIB | ARIB STD-T64-C.S0085-0 v1.0 | 1.0 | Approved | Jul 14 | http://www.arib.or.jp/english/html/overview/doc/STD-T64v6_70/Specification/ARIB_STD-T64-C.S0085-0v1.0.pdf |
| TIA | TIA-1184-1[E] | 2.0 | Published | Apr 11 | http://www.tiaonline.org/standards/technology/cdma2000/disclaimer.cfm |
| TTA | TTAT.3G-C.S0085 v1.0 | 1.0 | Approved | Oct 08 | http://www.tta.or.kr/data/ttasDown.jsp?where=14688&pk_num=TTAT.3G-C.S0085 v1.0 |
| Revision A | | | | | |
| ARIB | ARIB STD-T64-C.S0085-A v1.0 | 1.0 | Approved | Jul 14 | http://www.arib.or.jp/english/html/overview/doc/STD-T64v6_70/Specification/ARIB_STD-T64-C.S0085-Av1.0.pdf |
| CCSA | CCSA-TSD-MC-C.S0085-A | 1.0 | Published | Mar 10 | http://www.ccsa.org.cn/english/tc/files.php?docpath=/ITU-R/M.1457/M.1457-12/MC |
| TIA | TIA-1184-A | 1.0 | Published | Jul 13 | http://www.tiaonline.org/standards/technology/cdma2000/disclaimer.cfm |
| TTA | TTAT.3G-C.S0085-A v1.0 | 1.0 | Approved | Jul 09 | http://www.tta.or.kr/data/ttasDown.jsp?where=14688&pk_num=TTAT.3G-C.S0085-A v1.0 |

5.2.2.1.1.90 C.S0086

WiMAX – HRPD Interworking: Air Interface Specifications

This Standard contains the air interface requirements for 4 facilitating High Rate Packet Data (HRPD) interworking with the World Interoperability for Microwave Access.

| SDO (2) | Document No. | Version | Status | Issued date | Location (1) |
|-------------------|-----------------------------|---------|-----------|-------------|---|
| CCSA | CCSA-TSD-MC-C.S0086-0 | 1.0 | Published | Jun 14 | http://www.ccsa.org.cn/english/tc/files.php?docpath=/ITU-R/M.1457/M.1457-12/MC |
| Revision 0 | | | | | |
| ARIB | ARIB STD-T64-C.S0086-0 v1.0 | 1.0 | Approved | Jul 14 | http://www.arib.or.jp/english/html/overview/doc/STD-T64v6_70/Specification/ARIB_STD-T64-C.S0086-0v1.0.pdf |
| TIA | TIA-1185.300 | 1.0 | Published | Jul 11 | http://www.tiaonline.org/standards/technology/cdma2000/disclaimer.cfm |
| TIA | TIA-1185.100 | 1.0 | Published | Jul 11 | http://www.tiaonline.org/standards/technology/cdma2000/disclaimer.cfm |
| TIA | TIA-1185.200 | 1.0 | Published | Jan 12 | http://www.tiaonline.org/standards/technology/cdma2000/disclaimer.cfm |
| TTA | TTAT.3G-C.S0086-0 v1.0 | 1.0 | Approved | Oct 10 | http://www.tta.or.kr/data/ttasDown.jsp?where=14688&pk_num=TTAT.3G-C.S0086-0 v1.0 |

5.2.2.1.1.91 C.S0087

E-UTRAN – cdma2000 HRPD Connectivity and Interworking: Air Interface Specification

This standard contains the air interface requirements for facilitating High Rate Packet Data (HRPD) interworking with the Evolved Universal Terrestrial Radio Access Network (E-UTRAN).

| SDO (2) | Document No. | Version | Status | Issued date | Location (1) |
|-------------------|-----------------------------|---------|-----------|-------------|---|
| CCSA | CCSA-TSD-MC-C.S0087-0 | 2.0 | Published | Mar 10 | http://www.ccsa.org.cn/english/tc/files.php?docpath=/ITU-R/M.1457/M.1457-12/MC |
| TTA | TTAT.3G-C.S0087-A v1.0 | 1.0 | Approved | Aug 12 | http://www.tta.or.kr/data/ttasDown.jsp?where=14688&pk_num=TTAT.3G-C.S0087-A v1.0 |
| Revision 0 | | | | | |
| ARIB | ARIB STD-T64-C.S0087-0 v3.0 | 3.0 | Approved | Jul 14 | http://www.arib.or.jp/english/html/overview/doc/STD-T64v6_70/Specification/ARIB_STD-T64-C.S0087-0v3.0.pdf |
| TIA | TIA-1193 | 1.0 | Published | Nov 10 | http://www.tiaonline.org/standards/technology/cdma2000/disclaimer.cfm |
| TIA | TIA-1193-1 | 2.0 | Published | Oct 11 | http://www.tiaonline.org/standards/technology/cdma2000/disclaimer.cfm |

| | | | | | |
|-------------------|-----------------------------|-----|-----------|--------|---|
| TTA | TTAT.3G-C.S0087-0 v2.0 | 2.0 | Approved | Oct 10 | http://www.tta.or.kr/data/ttasDown.jsp?where=14688&pk_num=TTAT.3G-C.S0087-0 v2.0 |
| Revision A | | | | | |
| ARIB | ARIB STD-T64-C.S0087-A v2.0 | 2.0 | Approved | Jul 14 | http://www.arib.or.jp/english/html/overview/doc/STD-T64v6_70/Specification/ARIB_STD-T64-C.S0087-Av2.0.pdf |
| CCSA | CCSA-TSD-MC-C.S0087-A | 3.0 | Published | Jun 14 | http://www.ccsa.org.cn/english/tc/files.php?docpath=/ITU-R/M.1457/M.1457-12/MC |
| TTA | TTAT.3G-C.S0087-A v3.0 | 3.0 | Published | | http://www.tta.or.kr/data/ttasDown.jsp?where=14688&pk_num=TTAT.3G-C.S0087-A v3.0 |

5.2.2.1.1.92 C.S0088

Recommended Minimum Performance Standards for cdma2000 Ultra Mobile Broadband (UMB) Access Network

This specification provides techniques and limits on performance of Access Networks.

The purpose of these limits is to provide assurance that compliant Access Network equipment, when used with compliant Access Terminals will work in a variety of deployment scenarios.

| SDO (2) | Document No. | Version | Status | Issued date | Location (1) |
|-------------------|------------------------|---------|-----------|-------------|---|
| CCSA | CCSA-TSD-MC-C.S0088-0 | 1.0 | Published | Mar 10 | http://www.ccsa.org.cn/english/tc/files.php?docpath=/ITU-R/M.1457/M.1457-12/MC |
| Revision 0 | | | | | |
| TIA | TIA-1207 | 1.0 | Published | Feb 11 | http://www.tiaonline.org/standards/technology/cdma2000/disclaimer.cfm |
| TTA | TTAT.3G-C.S0088-0 v1.0 | 1.0 | Approved | Oct 10 | http://www.tta.or.kr/data/ttasDown.jsp?where=14688&pk_num=TTAT.3G-C.S0088-0 v1.0 |
| Revision A | | | | | |
| TIA | TIA-1207-A | 1.0 | Published | May 14 | http://www.tiaonline.org/standards/technology/cdma2000/disclaimer.cfm |

5.2.2.1.1.93 C.S0089

Recommended Minimum Performance Standards for cdma2000 Ultra Mobile Broadband Access Terminal

This specification provides techniques and limits on performance of access terminals. The purpose of these limits is to provide assurance that compliant access terminals when used with compliant access network equipment will work in a variety of deployment scenarios.

| SDO (2) | Document No. | Version | Status | Issued date | Location (1) |
|-------------------|------------------------|---------|-----------|-------------|---|
| CCSA | CCSA-TSD-MC-C.S0089-0 | 1.0 | Published | Mar 10 | http://www.ccsa.org.cn/english/tc/files.php?docpath=/ITU-R/M.1457/M.1457-12/MC |
| Revision 0 | | | | | |
| TIA | TIA-4944 | 1.0 | Published | Apr 11 | http://www.tiaonline.org/standards/technology/cdma2000/disclaimer.cfm |
| TTA | TTAT.3G-C.S0089-0 v1.0 | 1.0 | Approved | Oct 10 | http://www.tta.or.kr/data/ttasDown.jsp?where=14688&pk_num=TTAT.3G-C.S0089-0 v1.0 |

5.2.2.1.1.94 C.S0090

Test Application Specification for cdma2000 Ultra Mobile Broadband (UMB)

This standard is a companion to the Ultra Mobile Broadband (UMB) air interface standards. This specification provides a set of procedures that the access terminal and the access network can use to conduct the access terminal minimum performance tests in a factory/laboratory environment. It also allows measurements of certain forward and reverse link performances in a field environment.

| SDO (2) | Document No. | Version | Status | Issued date | Location (1) |
|---------|--------------|---------|--------|-------------|--------------|
|---------|--------------|---------|--------|-------------|--------------|

560

ITU-R M.1457-12

| | | | | | |
|-------------------|------------------------|-----|-----------|--------|---|
| CCSA | CCSA-TSD-MC-C.S0090-0 | 1.0 | Published | Mar 10 | http://www.ccsa.org.cn/english/tc/files.php?docpath=/ITU-R/M.1457/M.1457-12/MC |
| Revision 0 | | | | | |
| TIA | TIA-1209 | 1.0 | Published | Apr 11 | http://www.tiaonline.org/standards/technology/cdma2000/disclaimer.cfm |
| TTA | TTAT.3G-C.S0090-0 v1.0 | 1.0 | Approved | Oct 10 | http://www.tta.or.kr/data/ttasDown.jsp?where=14688&pk_num=TTAT.3G-C.S0090-0 v1.0 |

5.2.2.1.1.95 C.S0091

Signaling Conformance Specification for Ultra Mobile Broadband Air Interface

This specification provides a set of procedures that the UMB access terminal and the UMB access network can use to conduct the signaling conformance tests in a laboratory environment.

| SDO (2) | Document No. | Version | Status | Issued date | Location (1) |
|-------------------|-----------------------|---------|-----------|-------------|---|
| CCSA | CCSA-TSD-MC-C.S0091-0 | 1.0 | Published | Aug 08 | http://www.ccsa.org.cn/english/tc/files.php?docpath=/ITU-R/M.1457/M.1457-12/MC |
| Revision 0 | | | | | |
| TIA | TIA-4959 | 1.0 | Published | Sep 12 | http://www.tiaonline.org/standards/technology/cdma2000/disclaimer.cfm |
| TTA | TTAT.3G-C.S0091 v1.0 | 1.0 | Approved | Jul 09 | http://www.tta.or.kr/data/ttasDown.jsp?where=14688&pk_num=TTAT.3G-C.S0091 v1.0 |

5.2.2.1.1.96 C.S0093

Highly Detectable Pilot Specification for the cdma2000 High Rate Packet Data Air Interface

These technical requirements form the compatibility standard for cdma2000®1 highly detectable pilot systems.

| SDO (2) | Document No. | Version | Status | Issued date | Location (1) |
|-------------------|-----------------------------|---------|-----------|-------------|---|
| CCSA | CCSA-TSD-MC-C.S0093-0 | 1.0 | Published | Oct 08 | http://www.ccsa.org.cn/english/tc/files.php?docpath=/ITU-R/M.1457/M.1457-12/MC |
| Revision 0 | | | | | |
| ARIB | ARIB STD-T64-C.S0093-0 v1.0 | 1.0 | Approved | Jul 14 | http://www.arib.or.jp/english/html/overview/doc/STD-T64v6_70/Specification/ARIB_STD-T64-C.S0093-0v1.0.pdf |
| TIA | TIA-4968 | 1.0 | Published | Jul 12 | http://www.tiaonline.org/standards/technology/cdma2000/disclaimer.cfm |
| TTA | TTAT.3G-C.S0093 v1.0 | 1.0 | Approved | Jul 09 | http://www.tta.or.kr/data/ttasDown.jsp?where=14688&pk_num=TTAT.3G-C.S0093 v1.0 |
| Revision A | | | | | |
| TIA | TIA-4968-A | 1.0 | Published | Jun 13 | http://www.tiaonline.org/standards/technology/cdma2000/disclaimer.cfm |

5.2.2.1.1.97 C.S0094

Signaling Conformance Test Specification for Interworking of cdma2000 1x and High Rate Packet Data Systems

This specification defines air interface signaling conformance tests for CDMA/HRPD mobile stations/access terminals.

| SDO (2) | Document No. | Version | Status | Issued date | Location (1) |
|-------------------|-----------------------------|---------|-----------|-------------|---|
| CCSA | CCSA-TSD-MC-C.S0094-0 | 1.0 | Published | Oct 08 | http://www.ccsa.org.cn/english/tc/files.php?docpath=/ITU-R/M.1457/M.1457-12/MC |
| TTA | TTAT.3G-C.S0094-A v1.0 | 1.0 | Approved | Aug 12 | http://www.tta.or.kr/data/ttasDown.jsp?where=14688&pk_num=TTAT.3G-C.S0094-A v1.0 |
| Revision 0 | | | | | |
| ARIB | ARIB STD-T64-C.S0094-0 v1.0 | 1.0 | Approved | Jul 14 | http://www.arib.or.jp/english/html/overview/doc/STD-T64v6_70/Specification/ARIB_STD-T64-C.S0094-0v1.0.pdf |
| TIA | TIA-4969 | 1.0 | Published | Oct 13 | http://www.tiaonline.org/standards/technology/cdma2000/disclaimer.cfm |

| | | | | | |
|-------------------|-----------------------|-----|-----------|--------|---|
| TTA | TTAT.3G-C.S0094 v1.0 | 1.0 | Approved | Jul 09 | http://www.tta.or.kr/data/ttasDown.jsp?where=14688&pk_num=TTAT.3G-C.S0094 v1.0 |
| Revision A | | | | | |
| CCSA | CCSA-TSD-MC-C.S0094-0 | 1.0 | Published | Jun 14 | http://www.ccsa.org.cn/english/tc/files.php?docpath=/ITU-R/M.1457/M.1457-12/MC |
| TIA | TIA-4969-A | 1.0 | Published | Apr 14 | http://www.tiaonline.org/standards/technology/cdma2000/disclaimer.cfm |

5.2.2.1.1.98 C.S0095

Signaling Test Specification for EUTRAN cdma2000 Connectivity and Interworking

This specification is the first version of the document and provides the signaling conformance and interoperability requirements for C.S0087-0 (Interworking of cdma2000 1X High Rate Packet Data and Long Term Evolution Systems) and X.S0057-0 v1.0 (E-UTRAN – eHRPD Connectivity and Interworking: Core Network Aspects).

| SDO (2) | Document No. | Version | Status | Issued date | Location (1) |
|-------------------|-----------------------------|---------|-----------|-------------|---|
| CCSA | CCSA-TSD-MC-C.S0095-0 | 1.0 | Published | Mar 10 | http://www.ccsa.org.cn/english/tc/files.php?docpath=/ITU-R/M.1457/M.1457-12/MC |
| Revision 0 | | | | | |
| ARIB | ARIB STD-T64-C.S0095-0 v2.0 | 2.0 | Approved | Jul 14 | http://www.arib.or.jp/english/html/overview/doc/STD-T64v6_70/Specification/ARIB_STD-T64-C.S0095-0v2.0.pdf |
| TIA | TIA-4978 | 1.0 | Published | Jan 13 | http://www.tiaonline.org/standards/technology/cdma2000/disclaimer.cfm |
| TTA | TTAT.3G-C.S0095-0 v1.0 | 1.0 | Approved | Oct 10 | http://www.tta.or.kr/data/ttasDown.jsp?where=14688&pk_num=TTAT.3G-C.S0095-0 v1.0 |
| Revision A | | | | | |
| ARIB | ARIB STD-T64-C.S0095-A v1.0 | 1.0 | Approved | Jul 14 | http://www.arib.or.jp/english/html/overview/doc/STD-T64v6_70/Specification/ARIB_STD-T64-C.S0095-Av1.0.pdf |
| CCSA | CCSA-TSD-MC-C.S0095-A | 1.0 | Published | Jun 14 | http://www.ccsa.org.cn/english/tc/files.php?docpath=/ITU-R/M.1457/M.1457-12/MC |
| TTA | TTAT.3G-C.S0095-A v1.0 | 1.0 | Published | | http://www.tta.or.kr/data/ttasDown.jsp?where=14688&pk_num=TTAT.3G-C.S0095-A v1.0 |

5.2.2.1.1.99 C.S0096

Recommended Minimum Performance Standards for Simultaneous cdma2000 and cdma2000-HRPD Access Terminal

This specification details definitions, methods of measurement, and minimum performance characteristics for CDMA-HRPD-capable access terminals.

| SDO (2) | Document No. | Version | Status | Issued date | Location (1) |
|-------------------|-----------------------------|---------|-----------|-------------|---|
| CCSA | CCSA-TSD-MC-C.S0096-0 | 1.0 | Published | Jun 12 | http://www.ccsa.org.cn/english/tc/files.php?docpath=/ITU-R/M.1457/M.1457-12/MC |
| Revision 0 | | | | | |
| ARIB | ARIB STD-T64-C.S0096-0 v1.0 | 1.0 | Approved | Jul 14 | http://www.arib.or.jp/english/html/overview/doc/STD-T64v6_70/Specification/ARIB_STD-T64-C.S0096-0v1.0.pdf |
| Revision A | | | | | |
| ARIB | ARIB STD-T64-C.S0096-A v2.0 | 2.0 | Approved | Jul 14 | http://www.arib.or.jp/english/html/overview/doc/STD-T64v6_70/Specification/ARIB_STD-T64-C.S0096-Av2.0.pdf |
| CCSA | CCSA-TSD-MC-C.S0096-A | 2.0 | Published | Jun 14 | http://www.ccsa.org.cn/english/tc/files.php?docpath=/ITU-R/M.1457/M.1457-12/MC |
| CCSA | CCSA-TSD-MC-C.S0096-A | 1.0 | Published | Jun 12 | http://www.ccsa.org.cn/english/tc/files.php?docpath=/ITU-R/M.1457/M.1457-12/MC |
| TIA | TIA/EIA/IS-2001-A | 2.0 | Published | Aug 01 | http://www.tiaonline.org/standards/technology/cdma2000/disclaimer.cfm |

5.2.2.1.1.100 C.S0097

E-UTRAN – cdma2000 1x Connectivity and Interworking Air Interface Specification

This standard contains the air interface requirements for facilitating Generic Circuit Service Notification Application and cdma2000 1x interworking with the Evolved Universal Terrestrial Radio Access Network (E-UTRAN).

| SDO (2) | Document No. | Version | Status | Issued date | Location (1) |
|-------------------|-----------------------------|---------|-----------|-------------|---|
| CCSA | CCSA-TSD-MC-C.S0097-0 | 2.0 | Published | Jun 12 | http://www.ccsa.org.cn/english/tc/files.php?docpath=/ITU-R/M.1457/M.1457-12/MC |
| Revision 0 | | | | | |
| ARIB | ARIB STD-T64-C.S0097-0 v3.0 | 3.0 | Approved | Jul 14 | http://www.arib.or.jp/english/html/overview/doc/STD-T64v6_70/Specification/ARIB_STD-T64-C.S0097-0v3.0.pdf |
| TTA | TTAT.3G-C.S0097-0 v1.0 | 1.0 | Approved | Oct 10 | http://www.tta.or.kr/data/ttasDown.jsp?where=14688&pk_num=TTAT.3G-C.S0097-0 v1.0 |
| Revision A | | | | | |
| ARIB | ARIB STD-T64-C.S0097-A v1.0 | 1.0 | Approved | Jul 14 | http://www.arib.or.jp/english/html/overview/doc/STD-T64v6_70/Specification/ARIB_STD-T64-C.S0097-Av1.0.pdf |
| CCSA | CCSA-TSD-MC-C.S0097-A | 1.0 | Published | Jun 14 | http://www.ccsa.org.cn/english/tc/files.php?docpath=/ITU-R/M.1457/M.1457-12/MC |
| TIA | TIA/EIA-828 | 2.0 | Published | Dec 01 | http://www.tiaonline.org/standards/technology/cdma2000/disclaimer.cfm |
| TTA | TTAT.3G-C.S0097-A v1.0 | 1.0 | Published | | http://www.tta.or.kr/data/ttasDown.jsp?where=14688&pk_num=TTAT.3G-C.S0097-A v1.0 |

5.2.2.1.1.101C.S0098-100

Introduction to cdma2000 Extended Cell High Rate Packet Data Air Interface Specification

These technical requirements form a compatibility standard for cdma2000 extended cell high rate packet data systems.

| SDO (2) | Document No. | Version | Status | Issued date | Location (1) |
|-------------------|---------------------------|---------|-----------|-------------|---|
| CCSA | CCSA-TSD-MC-C.S0098-100-0 | 1.0 | Published | Jun 12 | http://www.ccsa.org.cn/english/tc/files.php?docpath=/ITU-R/M.1457/M.1457-12/MC |
| Revision A | | | | | |
| TIA | TIA/EIA-895 | 2.0 | Published | Feb 02 | http://www.tiaonline.org/standards/technology/cdma2000/disclaimer.cfm |
| Revision B | | | | | |
| TIA | TIA-895-A | 2.0 | Published | Oct 02 | http://www.tiaonline.org/standards/technology/cdma2000/disclaimer.cfm |
| Revision C | | | | | |
| TIA | TIA-895-B | 1.0 | Published | Jul 11 | http://www.tiaonline.org/standards/technology/cdma2000/disclaimer.cfm |

5.2.2.1.1.102C.S0098-200

Physical Layer for cdma2000 Extended Cell High Rate Packet Data Air Interface Specification

This specification contains the specification for the xHRPD Subtype 0 Physical Layer Protocol.

| SDO (2) | Document No. | Version | Status | Issued date | Location (1) |
|-------------------|---------------------------|---------|-----------|-------------|---|
| CCSA | CCSA-TSD-MC-C.S0098-200-0 | 1.0 | Published | Jun 12 | http://www.ccsa.org.cn/english/tc/files.php?docpath=/ITU-R/M.1457/M.1457-12/MC |
| Revision 0 | | | | | |
| TIA | TIA-1070 | 1.0 | Published | Aug 06 | http://www.tiaonline.org/standards/technology/cdma2000/disclaimer.cfm |

5.2.2.1.1.103C.S0098-300

Upper Layers for cdma2000 Extended Cell High Rate Packet Data Air Interface Specification

This specification contains the specification for the xHRPD Upper Layers.

| SDO (2) | Document No. | Version | Status | Issued date | Location (1) |
|-------------------|---------------------------|---------|-----------|-------------|---|
| CCSA | CCSA-TSD-MC-C.S0098-300-0 | 1.0 | Published | Jun 12 | http://www.ccsa.org.cn/english/tc/files.php?docpath=/ITU-R/M.1457/M.1457-12/MC |
| Revision 0 | | | | | |
| TIA | TIA/EIA-878 | 2.0 | Published | Dec 01 | http://www.tiaonline.org/standards/technology/cdma2000/disclaimer.cfm |
| Revision A | | | | | |
| TIA | TIA-1878-1 | 3.0 | Published | May 08 | http://www.tiaonline.org/standards/technology/cdma2000/disclaimer.cfm |

5.2.2.1.1.104C.S0099

Guidelines for using cdma2000 1x Revision E Features on Earlier Revisions

This specification provides recommendations and guideline for various features introduced in Revision E of cdma2000 1x .

| SDO (2) | Document No. | Version | Status | Issued date | Location (1) |
|-------------------|-----------------------------|---------|-----------|-------------|---|
| CCSA | CCSA-TSD-MC-C.S0099-0 | 2.0 | Published | Jun 12 | http://www.ccsa.org.cn/english/tc/files.php?docpath=/ITU-R/M.1457/M.1457-12/MC |
| Revision 0 | | | | | |
| ARIB | ARIB STD-T64-C.S0099-0 v2.0 | 2.0 | Approved | Jul 14 | http://www.arib.or.jp/english/html/overview/doc/STD-T64v6_70/Specification/ARIB_STD-T64-C.S0099-0v2.0.pdf |
| TIA | TIA-878-2 | 4.0 | Published | May 08 | http://www.tiaonline.org/standards/technology/cdma2000/disclaimer.cfm |
| TIA | TIA-878-1 | 3.0 | Published | May 03 | http://www.tiaonline.org/standards/technology/cdma2000/disclaimer.cfm |
| Revision A | | | | | |
| TIA | TIA-878-A-2 | 3.0 | Published | Jun 10 | http://www.tiaonline.org/standards/technology/cdma2000/disclaimer.cfm |
| Revision B | | | | | |
| TIA | TIA-878-B-1 | 2.0 | Published | Jun 10 | http://www.tiaonline.org/standards/technology/cdma2000/disclaimer.cfm |
| Revision C | | | | | |
| TIA | TIA-878-C-3 | 4.0 | Published | Jul 11 | http://www.tiaonline.org/standards/technology/cdma2000/disclaimer.cfm |
| Revision D | | | | | |
| TIA | TIA-878-D | 1.0 | Published | Mar 13 | http://www.tiaonline.org/standards/technology/cdma2000/disclaimer.cfm |

5.2.2.1.1.105C.S0101

Mobile Equipment (ME) Conformance Testing with CSIM for cdma2000 Spread Spectrum Standards

This specification provides for ME Conformance Testing with CSIM.

| SDO (2) | Document No. | Version | Status | Issued date | Location (1) |
|-------------------|-----------------------------|---------|-----------|-------------|---|
| CCSA | CCSA-TSD-MC-C.S0101-0 | 1.0 | Published | Jun 12 | http://www.ccsa.org.cn/english/tc/files.php?docpath=/ITU-R/M.1457/M.1457-12/MC |
| Revision 0 | | | | | |
| ARIB | ARIB STD-T64-C.S0101-0 v1.0 | 1.0 | Approved | Jul 14 | http://www.arib.or.jp/english/html/overview/doc/STD-T64v6_70/Specification/ARIB_STD-T64-C.S0101-0v1.0.pdf |

564

ITU-R M.1457-12

Revision A

| | | | | | |
|------|-----------------------|-----|-----------|--------|---|
| CCSA | CCSA-TSD-MC-C.S0101-0 | 1.0 | Published | Jun 14 | http://www.ccsa.org.cn/english/tc/files.php?docpath=/ITU-R/M.1457/M.1457-12/MC |
| TIA | TIA-1878-A-2 | 3.0 | Published | Mar 10 | http://www.tiaonline.org/standards/technology/cdma2000/disclaimer.cfm |

Revision B

| | | | | | |
|-----|--------------|-----|-----------|--------|---|
| TIA | TIA-1878-B-1 | 2.0 | Published | Aug 09 | http://www.tiaonline.org/standards/technology/cdma2000/disclaimer.cfm |
|-----|--------------|-----|-----------|--------|---|

Revision C

| | | | | | |
|-----|--------------|-----|-----------|--------|---|
| TIA | TIA-1878-C-3 | 4.0 | Published | Jul 11 | http://www.tiaonline.org/standards/technology/cdma2000/disclaimer.cfm |
|-----|--------------|-----|-----------|--------|---|

Revision D

| | | | | | |
|-----|------------|-----|-----------|--------|---|
| TIA | TIA-1878-D | 1.0 | Published | Apr 13 | http://www.tiaonline.org/standards/technology/cdma2000/disclaimer.cfm |
|-----|------------|-----|-----------|--------|---|

5.2.2.1.1.106C.S0102

HRPD Air Interface Application Layer Security (AALS) Air Interface Specification

These technical requirements form a compatibility standard for Air Interface Application Security services on cdma2000 high rate packet data systems.

| SDO (2) | Document No. | Version | Status | Issued date | Location (1) |
|-------------------|-----------------------|---------|-----------|-------------|---|
| CCSA | CCSA-TSD-MC-C.S0102-0 | 1.0 | Published | Jun 12 | http://www.ccsa.org.cn/english/tc/files.php?docpath=/ITU-R/M.1457/M.1457-12/MC |
| Revision 0 | | | | | |
| TIA | TIA/EIA/IS-2001.1-B | 2.0 | Published | May 02 | http://www.tiaonline.org/standards/technology/cdma2000/disclaimer.cfm |
| Revision B | | | | | |
| TIA | TIA-2001-C-1 | 1.0 | Published | Oct 03 | http://www.tiaonline.org/standards/technology/cdma2000/disclaimer.cfm |
| Revision C | | | | | |
| TIA | TIA-2001.1-D-4 | 5.0 | Published | May 14 | http://www.tiaonline.org/standards/technology/cdma2000/disclaimer.cfm |
| Revision D | | | | | |
| TIA | TIA-2001.1-E-4 | 5.0 | Published | Apr 14 | http://www.tiaonline.org/standards/technology/cdma2000/disclaimer.cfm |

5.2.2.1.1.107C.S0103

Header Compression for Extended Cell cdma2000 High Rate Packet Data System

This specification describes the header compression scheme for xHRPD VoIP application.

| SDO (2) | Document No. | Version | Status | Issued date | Location (1) |
|-------------------|-----------------------|---------|-----------|-------------|---|
| CCSA | CCSA-TSD-MC-C.S0103-0 | 1.0 | Published | Jun 12 | http://www.ccsa.org.cn/english/tc/files.php?docpath=/ITU-R/M.1457/M.1457-12/MC |
| Revision 0 | | | | | |
| TIA | TIA/EIA/IS-2001.2-B | 2.0 | Published | May 02 | http://www.tiaonline.org/standards/technology/cdma2000/disclaimer.cfm |
| Revision B | | | | | |
| TIA | TIA-2001-C-1 | 1.0 | Published | Oct 03 | http://www.tiaonline.org/standards/technology/cdma2000/disclaimer.cfm |
| Revision C | | | | | |
| TIA | TIA-2001.2-D-4 | 5.0 | Published | May 14 | http://www.tiaonline.org/standards/technology/cdma2000/disclaimer.cfm |
| Revision D | | | | | |
| TIA | TIA-2001.2-E-4 | 5.0 | Published | Apr 14 | http://www.tiaonline.org/standards/technology/cdma2000/disclaimer.cfm |

5.2.2.1.1.108 C.S0104**Recommended Minimum Performance Standards for Extended Cell cdma2000 High Rate Packet Data Access Terminal**

This specification details definitions, methods of measurement, and minimum performance characteristics for xHRPD access terminals.

| SDO (2) | Document No. | Version | Status | Issued date | Location (1) |
|-------------------|-----------------------|---------|-----------|-------------|---|
| CCSA | CCSA-TSD-MC-C.S0104-0 | 1,0 | Published | Jun 12 | http://www.ccsa.org.cn/english/tc/files.php?docpath=/ITU-R/M.1457/M.1457-12/MC |
| Revision 0 | | | | | |
| TIA | TIA/EIA/IS-2001.3-B | 2.0 | Published | May 02 | http://www.tiaonline.org/standards/technology/cdma2000/disclaimer.cfm |
| Revision B | | | | | |
| TIA | TIA-2001-C-1 | 1.0 | Published | Oct 03 | http://www.tiaonline.org/standards/technology/cdma2000/disclaimer.cfm |
| Revision C | | | | | |
| TIA | TIA-2001.3-D-4 | 5.0 | Published | May 14 | http://www.tiaonline.org/standards/technology/cdma2000/disclaimer.cfm |
| Revision D | | | | | |
| TIA | TIA-2001.3-E-4 | 5.0 | Published | Apr 14 | http://www.tiaonline.org/standards/technology/cdma2000/disclaimer.cfm |

5.2.2.1.1.109 C.S0105**Unstructured Supplementary Service Data (USSD) Service Options for Spread Spectrum Systems: Service Options 78 and 79**

This document defines radio interface support for USSD in cdma2000 Spread Spectrum Systems.

| SDO (2) | Document No. | Version | Status | Issued date | Location (1) |
|-------------------|-----------------------------|---------|-----------|-------------|---|
| Revision 0 | | | | | |
| ARIB | ARIB STD-T64-C.S0105-0 v1.0 | 1.0 | Approved | Jul 14 | http://www.arib.or.jp/english/html/overview/doc/STD-T64v6_70/Specification/ARIB_STD-T64-C.S0105-0v1.0.pdf |
| TIA | TIA/EIA/IS-2001.4-B | 2.0 | Published | May 02 | http://www.tiaonline.org/standards/technology/cdma2000/disclaimer.cfm |
| Revision A | | | | | |
| ARIB | ARIB STD-T64-C.S0105-A v1.0 | 1.0 | Approved | Jul 14 | http://www.arib.or.jp/english/html/overview/doc/STD-T64v6_70/Specification/ARIB_STD-T64-C.S0105-Av1.0.pdf |
| CCSA | CCSA-TSD-MC-C.S0105-A | 1,0 | Published | Jun 14 | http://www.ccsa.org.cn/english/tc/files.php?docpath=/ITU-R/M.1457/M.1457-12/MC |
| Revision B | | | | | |
| TIA | TIA-2001-C-1 | 1.0 | Published | Oct 03 | http://www.tiaonline.org/standards/technology/cdma2000/disclaimer.cfm |
| Revision C | | | | | |
| TIA | TIA-2001.4-D-4 | 5.0 | Published | Apr 14 | http://www.tiaonline.org/standards/technology/cdma2000/disclaimer.cfm |
| Revision D | | | | | |
| TIA | TIA-2001.4-E-4 | 5.0 | Published | Apr 14 | http://www.tiaonline.org/standards/technology/cdma2000/disclaimer.cfm |

5.2.2.1.1.110 C.S0106**Mobile Equipment (ME) Conformance Testing with CDMA Card Application Toolkit**

The present document provides the Conformance Test Specification for testing the CDMA Card Application Toolkit (CCAT) implemented in MEs for the

UICC (R-UIM or CSIM), in compliance with the relevant requirements.

| SDO (2) | Document No. | Version | Status | Issued date | Location (1) |
|-------------------|-----------------------------|---------|-----------|-------------|---|
| Revision 0 | | | | | |
| TIA | TIA/EIA/IS-2001.5-B | 2.0 | Published | May 02 | http://www.tiaonline.org/standards/technology/cdma2000/disclaimer.cfm |
| Revision A | | | | | |
| ARIB | ARIB STD-T64-C.S0106-A v1.0 | 1.0 | Approved | Jul 14 | http://www.arib.or.jp/english/html/overview/doc/STD-T64v6_70/Specification/ARIB_STD-T64-C.S0106-Av1.0.pdf |
| CCSA | CCSA-TSD-MC-C.S0106-A | 1.0 | Published | Jun 14 | http://www.ccsa.org.cn/english/tc/files.php?docpath=/ITU-R/M.1457/M.1457-12/MC |
| Revision B | | | | | |
| TIA | TIA-2001-C-1 | 1.0 | Published | Oct 03 | http://www.tiaonline.org/standards/technology/cdma2000/disclaimer.cfm |
| Revision C | | | | | |
| TIA | TIA-2001.5-D-4 | 5.0 | Published | Apr 14 | http://www.tiaonline.org/standards/technology/cdma2000/disclaimer.cfm |
| Revision D | | | | | |
| TIA | TIA-2001.5-E-4 | 5.0 | Published | Apr 14 | http://www.tiaonline.org/standards/technology/cdma2000/disclaimer.cfm |

5.2.2.1.1.111C.S0107

cdma2000 Application (CSIM) Conformance Testing for Spread Spectrum Systems

The present document provides the Conformance Test Specification for the cdma2000 application on a UICC (CSIM) used in cdma2000 Spread Spectrum Systems.

| SDO (2) | Document No. | Version | Status | Issued date | Location (1) |
|-------------------|-----------------------------|---------|-----------|-------------|---|
| CCSA | CCSA-TSD-MC-C.S0107-0 | 1.0 | Published | Jun 14 | http://www.ccsa.org.cn/english/tc/files.php?docpath=/ITU-R/M.1457/M.1457-12/MC |
| Revision 0 | | | | | |
| ARIB | ARIB STD-T64-C.S0107-0 v1.0 | 1.0 | Approved | Jul 14 | http://www.arib.or.jp/english/html/overview/doc/STD-T64v6_70/Specification/ARIB_STD-T64-C.S0107-0v1.0.pdf |
| TIA | TIA/EIA/IS-2001.6-B | 2.0 | Published | May 02 | http://www.tiaonline.org/standards/technology/cdma2000/disclaimer.cfm |
| Revision B | | | | | |
| TIA | TIA-2001-C-1 | 1.0 | Published | Oct 03 | http://www.tiaonline.org/standards/technology/cdma2000/disclaimer.cfm |
| Revision C | | | | | |
| TIA | TIA-2001.6-D-4 | 5.0 | Published | Apr 14 | http://www.tiaonline.org/standards/technology/cdma2000/disclaimer.cfm |
| Revision D | | | | | |
| TIA | TIA-2001.6-E-4 | 5.0 | Published | Apr 14 | http://www.tiaonline.org/standards/technology/cdma2000/disclaimer.cfm |

5.2.2.1.1.112A.S0001

3GPP2 Access Network Interfaces Interoperability Specification (3G-IOS V4.0.0)

This specification defines the interfaces within the radio access network and the interfaces from the radio access network to the core network and the packet network. This includes the “A” interface.

| SDO (2) | Document No. | Version | Status | Issued date | Location (1) |
|------------------|--------------|---------|--------|-------------|--------------|
| Release A | | | | | |

| | | | | | |
|-------------------|------------------------|-----|-----------|--------|---|
| TTC | JP-3GB-A.S0001-A | | Published | May 01 | http://www.ttc.or.jp/imt/ts/tsas0001-A.pdf |
| Release | | | | | |
| TTC | JP-3GB-A.S0001 | | Published | May 01 | http://www.ttc.or.jp/imt/std/jpas0001v20.pdf |
| Revision 0 | | | | | |
| TIA | TIA/EIA/IS-2001.7-B | 2.0 | Published | May 02 | http://www.tiaonline.org/standards/technology/cdma2000/disclaimer.cfm |
| Revision A | | | | | |
| CCSA | CCSA-TSD-MC-A.S0001-A | 2.0 | Published | Jun 01 | http://www.ccsa.org.cn/english/tc/files.php?docpath=/ITU-R/M.1457/M.1457-12/MC |
| TTA | TTAT.3G-A.S0001-A v2.0 | 2.0 | Approved | Mar 03 | http://www.tta.or.kr/data/ttasDown.jsp?where=14688&pk_num=TTAT.3G-A.S0001-A v2.0 |
| Revision B | | | | | |
| TIA | TIA-2001-C-1 | 1.0 | Published | Oct 03 | http://www.tiaonline.org/standards/technology/cdma2000/disclaimer.cfm |
| Revision C | | | | | |
| TIA | TIA-2001.7-D-4 | 5.0 | Published | Apr 14 | http://www.tiaonline.org/standards/technology/cdma2000/disclaimer.cfm |
| Revision D | | | | | |
| TIA | TIA-2001.7-E-4 | 5.0 | Published | Apr 14 | http://www.tiaonline.org/standards/technology/cdma2000/disclaimer.cfm |

5.2.2.1.1.113A.S0003

BTS-BSC Inter-operability (Abis Interface)

This specification defines the BTS-BSC Inter-operability (Abis Interface).

| SDO (2) | Document No. | Version | Status | Issued date | Location (1) |
|---------|--------------|---------|--------|-------------|--------------|
|---------|--------------|---------|--------|-------------|--------------|

5.2.2.1.1.114A.S0004

CDMA Tandem Free Operation

This specification defines the CDMA Tandem Free Operation.

| SDO (2) | Document No. | Version | Status | Issued date | Location (1) |
|---------|--------------|---------|--------|-------------|--------------|
|---------|--------------|---------|--------|-------------|--------------|

Release C

| | | | | | |
|-----|------------------------|-----|-----------|--------|---|
| TTA | TTAT.3G-A.S0004-C v1.0 | 1.0 | Approved | Aug 12 | http://www.tta.or.kr/data/ttasDown.jsp?where=14688&pk_num=TTAT.3G-A.S0004-C v1.0 |
| TTC | TS-3GB-A.S0004-Av2.0 | 2.0 | Published | Aug 02 | http://www.ttc.or.jp/imt/ts/tsas0004-Av2.0.pdf |
| TTC | TS-3GB-A.S0004-Bv2.0 | 2.0 | Published | Nov 02 | http://www.ttc.or.jp/imt/ts/tsas0004-Bv2.0.pdf |
| TTC | TS-3GB-A.S0004-Cv1.0 | 1.0 | Published | Apr 11 | http://www.ttc.or.jp/jp/document_list/free/3gpps2011/TS/TS-3GB-A.S0004-Cv1.0.pdf |

Release

| | | | | | |
|-----|----------------|--|-----------|--------|---|
| TTC | JP-3GB-A.S0004 | | Published | May 01 | http://www.ttc.or.jp/imt/std/jpas0004.pdf |
|-----|----------------|--|-----------|--------|---|

Revision 0

| | | | | | |
|-----|-----------------|-----|-----------|--------|---|
| TIA | TIA-2006-1 | 2.0 | Published | Feb 10 | http://www.tiaonline.org/standards/technology/cdma2000/disclaimer.cfm |
| TTA | TTAE.3G-A.S0004 | 1.0 | Approved | Jul 00 | http://www.tta.or.kr/data/ttasDown.jsp?where=14688&pk_num=TTAE.3G-A.S0004 |

Revision A

| | | | | | |
|------|------------------------|-----|-----------|--------|---|
| CCSA | CCSA-TSD-MC-A.S0004-A | 2.0 | Published | Mar 02 | http://www.ccsa.org.cn/english/tc/files.php?docpath=/ITU-R/M.1457/M.1457-12/MC |
| TIA | TIA-2006-A-1 | 2.0 | Published | Mar 10 | http://www.tiaonline.org/standards/technology/cdma2000/disclaimer.cfm |
| TTA | TTAT.3G-A.S0004-A v2.0 | 2.0 | Approved | Mar 03 | http://www.tta.or.kr/data/ttasDown.jsp?where=14688&pk_num=TTAT.3G-A.S0004-A v2.0 |

Revision B

568

ITU-R M.1457-12

| | | | | | |
|-------------------|------------------------|-----|-----------|--------|---|
| CCSA | CCSA-TSD-MC-A.S0004-B | 2.0 | Published | Aug 02 | http://www.ccsa.org.cn/english/tc/files.php?docpath=/ITU-R/M.1457/M.1457-12/MC |
| TTA | TTAT.3G-A.S0004-B V2.0 | 2.0 | Approved | May 03 | http://www.tta.or.kr/data/ttasDown.jsp?where=14688&pk_num=TTAT.3G-A.S0004-B V2.0 |
| Revision C | | | | | |
| CCSA | CCSA-TSD-MC-A.S0004-C | 1.0 | Published | Jun 14 | http://www.ccsa.org.cn/english/tc/files.php?docpath=/ITU-R/M.1457/M.1457-12/MC |

5.2.2.1.1.115A.S0006

Interoperability Specification (IOS) for Hybrid Mobile Station/Access Terminal (HAT) Authentication, Using the CAVE Algorithm

This document provides alternative procedures that allow a properly configured Hybrid mobile station/Access Terminal (HAT) to use its cdma2000®1 1x access network authentication credentials and the Cellular Authentication and Voice Encryption (CAVE) algorithm when accessing an HRPD network that requires HRPD network access authentication.

| SDO (2) | Document No. | Version | Status | Issued date | Location (1) |
|-------------------|------------------------|---------|-----------|-------------|---|
| CCSA | CCSA-TSD-MC-A.S0006-0 | 1.0 | Published | Jan 05 | http://www.ccsa.org.cn/english/tc/files.php?docpath=/ITU-R/M.1457/M.1457-12/MC |
| Release 0 | | | | | |
| TTC | TS-3GB-A.S0006-0v1.0 | 1.0 | Published | Mar 05 | http://www.ttc.or.jp/imt/ts/tsas0006-0v1.0.pdf |
| Revision 0 | | | | | |
| TIA | TIA-1134-1 | 2.0 | Published | Jan 09 | http://www.tiaonline.org/standards/technology/cdma2000/disclaimer.cfm |
| TTA | TTAE.3G-A.S0006-0 v1.0 | 1.0 | Approved | Apr 06 | http://www.tta.or.kr/data/ttasDown.jsp?where=14688&pk_num=TTAE.3G-A.S0006-0 v1.0 |

5.2.2.1.1.116A.S0007

Inter-Operability Specification (IOS) for HRPD

This specification defines the Inter-Operability Specification (IOS) for High Rate Packet Data (HRPD) Access Network Interfaces.

| SDO (2) | Document No. | Version | Status | Issued date | Location (1) |
|-------------------|------------------------|---------|-----------|-------------|---|
| Release A | | | | | |
| TTC | TS-3GB-A.S0007-Av3.0 | 3.0 | Published | Sep 07 | http://www.ttc.or.jp/imt/ts/tsas0007-Av3.0.pdf |
| Revision 0 | | | | | |
| TIA | TIA-1135 | 1.0 | Published | Jan 09 | http://www.tiaonline.org/standards/technology/cdma2000/disclaimer.cfm |
| TTA | TTAT.3G-A.S0007-0 v2.0 | 2.0 | Approved | May 04 | http://www.tta.or.kr/data/ttasDown.jsp?where=14688&pk_num=TTAT.3G-A.S0007-0 v2.0 |
| Revision A | | | | | |
| CCSA | CCSA-TSD-MC-A.S0007-A | 3.0 | Published | May 07 | http://www.ccsa.org.cn/english/tc/files.php?docpath=/ITU-R/M.1457/M.1457-12/MC |
| TTA | TTAT.3G-A.S0007-A v3.0 | 3.0 | Approved | Dec 07 | http://www.tta.or.kr/data/ttasDown.jsp?where=14688&pk_num=TTAT.3G-A.S0007-A v3.0 |

5.2.2.1.1.117A.S0008

Inter-Operability Specification (IOS) for HRPD

This specification defines the Inter-Operability Specification (IOS) for High Rate Packet Data (HRPD) Access Network Interfaces.

| SDO (2) | Document No. | Version | Status | Issued date | Location (1) |
|-------------------|------------------------|---------|-----------|-------------|---|
| Release B | | | | | |
| TTC | TS-3GB-A.S0008-Bv2.0 | 2.0 | Published | Mar 09 | http://www.ttc.or.jp/imt/ts/tsas0008-Bv2.0.pdf |
| TTC | TS-3GB-A.S0008-Dv1.0 | 1.0 | Published | Jun 13 | http://www.ttc.or.jp/jp/document_list/free/3gpps2013/TS/TS-3GB-A.S0008-Dv1.0.pdf |
| TTC | TS-3GB-A.S0008-Cv4.0 | 4.0 | Published | Nov 11 | http://www.ttc.or.jp/jp/document_list/free/3gpps2011/TS/TS-3GB-A.S0008-Cv4.0.pdf |
| TTC | TS-3GB-A.S0008-Av3.0 | 3.0 | Published | Mar 09 | http://www.ttc.or.jp/imt/ts/tsas0008-Av3.0.pdf |
| TTC | TS-3GB-A.S0008-Cv2.0 | 2.0 | Published | Mar 09 | http://www.ttc.or.jp/imt/ts/tsas0008-Cv2.0.pdf |
| TTC | TS-3GB-A.S0008-Cv3.0 | 3.0 | Published | Dec 10 | http://www.ttc.or.jp/jp/document_list/free/3gpps2010/TS/TS-3GB-A.S0008-Cv3.0.pdf |
| Release 0 | | | | | |
| TTC | TS-3GB-A.S0008-0v4.0 | 4.0 | Published | Sep 07 | http://www.ttc.or.jp/imt/ts/tsas0008-0v4.0.pdf |
| Revision 0 | | | | | |
| TIA | TIA-1142-1 | 2.0 | Published | Nov 10 | http://www.tiaonline.org/standards/technology/cdma2000/disclaimer.cfm |
| TTA | TTAT.3G-A.S0008-0 v4.0 | 4.0 | Approved | Dec 07 | http://www.tta.or.kr/data/ttasDown.jsp?where=14688&pk_num=TTAT.3G-A.S0008-0 v4.0 |
| Revision A | | | | | |
| CCSA | CCSA-TSD-MC-A.S0008-A | 3.0 | Published | Nov 08 | http://www.ccsa.org.cn/english/tc/files.php?docpath=/ITU-R/M.1457/M.1457-12/MC |
| TIA | TIA-1142-A-1 | 2.0 | Published | Aug 12 | http://www.tiaonline.org/standards/technology/cdma2000/disclaimer.cfm |
| TTA | TTAT.3G-A.S0008-A v3.0 | 3.0 | Approved | Jul 09 | http://www.tta.or.kr/data/ttasDown.jsp?where=14688&pk_num=TTAT.3G-A.S0008-A v3.0 |
| Revision B | | | | | |
| CCSA | CCSA-TSD-MC-A.S0008-B | 2.0 | Published | Dec 08 | http://www.ccsa.org.cn/english/tc/files.php?docpath=/ITU-R/M.1457/M.1457-12/MC |
| TIA | TIA-1142-B | 1.0 | Published | Aug 12 | http://www.tiaonline.org/standards/technology/cdma2000/disclaimer.cfm |
| TTA | TTAT.3G-A.S0008-B v2.0 | 2.0 | Approved | Jul 09 | http://www.tta.or.kr/data/ttasDown.jsp?where=14688&pk_num=TTAT.3G-A.S0008-B v2.0 |
| Revision C | | | | | |
| CCSA | CCSA-TSD-MC-A.S0008-C | 4.0 | Published | Jun 14 | http://www.ccsa.org.cn/english/tc/files.php?docpath=/ITU-R/M.1457/M.1457-12/MC |
| CCSA | CCSA-TSD-MC-A.S0008-C | 2.0 | Published | Jan 09 | http://www.ccsa.org.cn/english/tc/files.php?docpath=/ITU-R/M.1457/M.1457-12/MC |
| TTA | TTAT.3G-A.S0008-C v3.0 | 3.0 | Approved | Oct 10 | http://www.tta.or.kr/data/ttasDown.jsp?where=14688&pk_num=TTAT.3G-A.S0008-C v3.0 |
| Revision D | | | | | |
| CCSA | CCSA-TSD-MC-A.S0008-D | 1.0 | Published | Jun 14 | http://www.ccsa.org.cn/english/tc/files.php?docpath=/ITU-R/M.1457/M.1457-12/MC |
| TTA | TTAT.3G-A.S0008-D v1.0 | 1.0 | Published | | http://www.tta.or.kr/data/ttasDown.jsp?where=14688&pk_num=TTAT.3G-A.S0008-D v1.0 |

5.2.2.1.1.118A.S0009

Interoperability Specification (IOS) for High Rate Packet Data (HRPD) Radio Access Network Interfaces with Session Control in the Packet Control Function

This specification defines the interoperation of the HRPD RAN system interfaces with session control in the packet control function.

| SDO (2) | Document No. | Version | Status | Issued date | Location (1) |
|------------------|----------------------|---------|-----------|-------------|---|
| Release B | | | | | |
| TTC | TS-3GB-A.S0009-Bv2.0 | 2.0 | Published | Mar 09 | http://www.ttc.or.jp/imt/ts/tsas0009-bv20.pdf |
| TTC | TS-3GB-A.S0009-Av3.0 | 3.0 | Published | Mar 09 | http://www.ttc.or.jp/imt/ts/tsas0009-av30.pdf |
| TTC | TS-3GB-A.S0009-Cv3.0 | 3.0 | Published | Dec 10 | http://www.ttc.or.jp/jp/document_list/free/3gpps2010/TS/TS-3GB-A.S0009-Cv3.0.pdf |
| TTC | TS-3GB-A.S0009-Cv4.0 | 4.0 | Published | Nov 11 | http://www.ttc.or.jp/jp/document_list/free/3gpps2011/TS/TS-3GB-A.S0009-Cv4.0.pdf |
| TTC | TS-3GB-A.S0009-Dv1.0 | 1.0 | Published | Jun 13 | http://www.ttc.or.jp/jp/document_list/free/3gpps2013/TS/TS-3GB-A.S0009-Dv1.0.pdf |
| TTC | TS-3GB-A.S0009-Cv2.0 | 2.0 | Published | Mar 09 | http://www.ttc.or.jp/imt/ts/tsas0009-cv20.pdf |

570

ITU-R M.1457-12

Revision 0

| | | | | | |
|-----|----------|-----|-----------|--------|---|
| TIA | TIA-1143 | 1.0 | Published | Jan 10 | http://www.tiaonline.org/standards/technology/cdma2000/disclaimer.cfm |
|-----|----------|-----|-----------|--------|---|

Revision A

| | | | | | |
|------|------------------------|-----|-----------|--------|---|
| CCSA | CCSA-TSD-MC-A.S0009-A | 3.0 | Published | Nov 08 | http://www.ccsa.org.cn/english/tc/files.php?docpath=/ITU-R/M.1457/M.1457-12/MC |
| TTA | TTAT.3G-A.S0009-A v3.0 | 3.0 | Approved | Jul 09 | http://www.tta.or.kr/data/ttasDown.jsp?where=14688&pk_num=TTAT.3G-A.S0009-A v3.0 |

Revision B

| | | | | | |
|------|------------------------|-----|-----------|--------|---|
| CCSA | CCSA-TSD-MC-A.S0009-B | 2.0 | Published | Jun 14 | http://www.ccsa.org.cn/english/tc/files.php?docpath=/ITU-R/M.1457/M.1457-12/MC |
| TTA | TTAT.3G-A.S0009-B v2.0 | 2.0 | Approved | Oct 10 | http://www.tta.or.kr/data/ttasDown.jsp?where=14688&pk_num=TTAT.3G-A.S0009-B v2.0 |

Revision C

| | | | | | |
|------|------------------------|-----|-----------|--------|---|
| CCSA | CCSA-TSD-MC-A.S0009-C | 4.0 | Published | Jun 14 | http://www.ccsa.org.cn/english/tc/files.php?docpath=/ITU-R/M.1457/M.1457-12/MC |
| TTA | TTAT.3G-A.S0009-C v3.0 | 3.0 | Approved | Oct 10 | http://www.tta.or.kr/data/ttasDown.jsp?where=14688&pk_num=TTAT.3G-A.S0009-C v3.0 |

Revision D

| | | | | | |
|------|------------------------|-----|-----------|--------|---|
| CCSA | CCSA-TSD-MC-A.S0009-D | 1.0 | Published | Jun 14 | http://www.ccsa.org.cn/english/tc/files.php?docpath=/ITU-R/M.1457/M.1457-12/MC |
| TTA | TTAT.3G-A.S0009-D v1.0 | 1.0 | Published | | http://www.tta.or.kr/data/ttasDown.jsp?where=14688&pk_num=TTAT.3G-A.S0009-D v1.0 |

5.2.2.1.1.119A.S0011

Access Network Interfaces (3G-IOS)

This specification defines the Interoperability Specification (IOS) for CDMA 2000 Access Network Interfaces – Part 1 Overview.

| SDO (2) | Document No. | Version | Status | Issued date | Location (1) |
|-------------------|--------------------------|---------|-----------|-------------|---|
| Release D | | | | | |
| TTC | TS-3GB-A.S0011-Dv4.0 | 4.0 | Published | Dec 12 | http://www.ttc.or.jp/jp/document_list/free/3gpps2012/TS/TS-3GB-A.S0011-Dv4.0.pdf |
| TTC | TS-3GB-A.S0011-Cv2.0 | 2.0 | Published | Mar 06 | http://www.ttc.or.jp/imt/ts/tsas0011-Cv2.0.pdf |
| TTC | TS-3GB-A.S0011-Bv1.0 | 1.0 | Published | Sep 04 | http://www.ttc.or.jp/imt/ts/tsas0011-Bv1.0.pdf |
| TTC | TS-3GB-A.S0011-Cv4.0 | 4.0 | Published | Dec 12 | http://www.ttc.or.jp/jp/document_list/free/3gpps2012/TS/TS-3GB-A.S0011-Cv4.0.pdf |
| TTC | TS-3GB-A.S0011-Cv3.0 | 3.0 | Published | Dec 10 | http://www.ttc.or.jp/jp/document_list/free/3gpps2010/TS/TS-3GB-A.S0011-Cv3.0.pdf |
| TTC | TS-3GB-A.S0011-Av2.0 | 2.0 | Published | Nov 03 | http://www.ttc.or.jp/imt/ts/tsas0011-Av2.0.pdf |
| TTC | TS-3GB-A.S0011-Dv2.0 | 2.0 | Published | Feb 10 | http://www.ttc.or.jp/imt/ts/tsas0011-dv20.pdf |
| TTC | TS-3GB-A.S0011-Dv3.0 | 3.0 | Published | Nov 11 | http://www.ttc.or.jp/jp/document_list/free/3gpps2011/TS/TS-3GB-A.S0011-Dv3.0.pdf |
| Release 0 | | | | | |
| TTC | TS-3GB-A.S0011-0v2.0 | 2.0 | Published | Aug 02 | http://www.ttc.or.jp/imt/ts/tsas0011-0v2.0.pdf |
| Revision 0 | | | | | |
| TIA | TIA-1167 | 1.0 | Published | Sep 10 | http://www.tiaonline.org/standards/technology/cdma2000/disclaimer.cfm |
| TTA | TTAT.3G-A.S0011-0 v2.0 | 2.0 | Approved | Mar 03 | http://www.tta.or.kr/data/ttasDown.jsp?where=14688&pk_num=TTAT.3G-A.S0011-0 v2.0 |
| Revision A | | | | | |
| CCSA | CCSA-TSD-MC-A.S0011-A | 2.0.1 | Published | Dec 03 | http://www.ccsa.org.cn/english/tc/files.php?docpath=/ITU-R/M.1457/M.1457-12/MC |
| TIA | TIA-1167-A-1 | 2.0 | Published | Jul 12 | http://www.tiaonline.org/standards/technology/cdma2000/disclaimer.cfm |
| TTA | TTAT.3G-A.S0011-A v2.0.1 | 2.0.1 | Approved | May 05 | http://www.tta.or.kr/data/ttasDown.jsp?where=14688&pk_num=TTAT.3G-A.S0011-A v2.0.1 |
| Revision B | | | | | |
| CCSA | CCSA-TSD-MC-A.S0011-B | 1.0 | Published | May 04 | http://www.ccsa.org.cn/english/tc/files.php?docpath=/ITU-R/M.1457/M.1457-12/MC |
| TTA | TTAT.3G-A.S0011-B v1.0 | 1.0 | Approved | May 05 | http://www.tta.or.kr/data/ttasDown.jsp?where=14688&pk_num=TTAT.3G-A.S0011-B v1.0 |
| Revision C | | | | | |
| CCSA | CCSA-TSD-MC-A.S0011-C | 2.0 | Published | Dec 05 | http://www.ccsa.org.cn/english/tc/files.php?docpath=/ITU-R/M.1457/M.1457-12/MC |

| | | | | | |
|-------------------|------------------------|-----|-----------|--------|---|
| TTA | TTAT.3G-A.S0011-C v2.0 | 2.0 | Approved | Apr 06 | http://www.tta.or.kr/data/ttasDown.jsp?where=14688&pk_num=TTAT.3G-A.S0011-C v2.0 |
| Revision D | | | | | |
| CCSA | CCSA-TSD-MC-A.S0011-D | 5.0 | Published | Jun 14 | http://www.ccsa.org.cn/english/tc/files.php?docpath=/ITU-R/M.1457/M.1457-12/MC |
| TTA | TTAT.3G-A.S0011-D v2.0 | 2.0 | Approved | Oct 10 | http://www.tta.or.kr/data/ttasDown.jsp?where=14688&pk_num=TTAT.3G-A.S0011-D v2.0 |

5.2.2.1.1.120A.S0012

Access Network Interfaces (3G-IOS)

This specification defines the Interoperability Specification (IOS) for CDMA 2000 Access Network Interfaces – Part 2 Transport.

| SDO (2) | Document No. | Version | Status | Issued date | Location (1) |
|-------------------|--------------------------|---------|-----------|-------------|---|
| Release C | | | | | |
| TTC | TS-3GB-A.S0012-Cv3.0 | 3.0 | Published | Dec 10 | http://www.ttc.or.jp/jp/document_list/free/3gpps2010/TS/TS-3GB-A.S0012-Cv3.0.pdf |
| TTC | TS-3GB-A.S0012-Cv4.0 | 4.0 | Published | Dec 12 | http://www.ttc.or.jp/jp/document_list/free/3gpps2012/TS/TS-3GB-A.S0012-Cv4.0.pdf |
| TTC | TS-3GB-A.S0012-Dv4.0 | 4.0 | Published | Dec 12 | http://www.ttc.or.jp/jp/document_list/free/3gpps2012/TS/TS-3GB-A.S0012-Dv4.0.pdf |
| TTC | TS-3GB-A.S0012-Dv2.0 | 2.0 | Published | Feb 10 | http://www.ttc.or.jp/imt/ts/tsas0012-dv20.pdf |
| TTC | TS-3GB-A.S0012-Cv2.0 | 2.0 | Published | Mar 06 | http://www.ttc.or.jp/imt/ts/tsas0012-Cv2.0.pdf |
| TTC | TS-3GB-A.S0012-Av2.0 | 2.0 | Published | Nov 03 | http://www.ttc.or.jp/imt/ts/tsas0012-Av2.0.pdf |
| TTC | TS-3GB-A.S0012-Dv3.0 | 3.0 | Published | Nov 11 | http://www.ttc.or.jp/jp/document_list/free/3gpps2011/TS/TS-3GB-A.S0012-Dv3.0.pdf |
| TTC | TS-3GB-A.S0012-Bv1.0 | 1.0 | Published | Sep 04 | http://www.ttc.or.jp/imt/ts/tsas0012-Bv1.0.pdf |
| Release 0 | | | | | |
| TTC | TS-3GB-A.S0012-0v2.0 | 2.0 | Published | Aug 02 | http://www.ttc.or.jp/imt/ts/tsas0012-0v2.0.pdf |
| Revision 0 | | | | | |
| TIA | TIA-4984 | 1.0 | Published | Jan 14 | http://www.tiaonline.org/standards/technology/cdma2000/disclaimer.cfm |
| TTA | TTAT.3G-A.S0012-0 v2.0 | 2.0 | Approved | Mar 03 | http://www.tta.or.kr/data/ttasDown.jsp?where=14688&pk_num=TTAT.3G-A.S0012-0 v2.0 |
| Revision A | | | | | |
| CCSA | CCSA-TSD-MC-A.S0012-A | 2.0.1 | Published | Dec 03 | http://www.ccsa.org.cn/english/tc/files.php?docpath=/ITU-R/M.1457/M.1457-12/MC |
| TTA | TTAT.3G-A.S0012-A v2.0.1 | 2.0.1 | Approved | May 05 | http://www.tta.or.kr/data/ttasDown.jsp?where=14688&pk_num=TTAT.3G-A.S0012-A v2.0.1 |
| Revision B | | | | | |
| CCSA | CCSA-TSD-MC-A.S0012-B | 1.0 | Published | May 04 | http://www.ccsa.org.cn/english/tc/files.php?docpath=/ITU-R/M.1457/M.1457-12/MC |
| TTA | TTAT.3G-A.S0012-B v1.0 | 1.0 | Approved | May 05 | http://www.tta.or.kr/data/ttasDown.jsp?where=14688&pk_num=TTAT.3G-A.S0012-B v1.0 |
| Revision C | | | | | |
| CCSA | CCSA-TSD-MC-A.S0012-C | 2.0 | Published | Dec 05 | http://www.ccsa.org.cn/english/tc/files.php?docpath=/ITU-R/M.1457/M.1457-12/MC |
| TTA | TTAT.3G-A.S0012-C v2.0 | 2.0 | Approved | Apr 06 | http://www.tta.or.kr/data/ttasDown.jsp?where=14688&pk_num=TTAT.3G-A.S0012-C v2.0 |
| Revision D | | | | | |
| CCSA | CCSA-TSD-MC-A.S0012-D | 5.0 | Published | Jun 14 | http://www.ccsa.org.cn/english/tc/files.php?docpath=/ITU-R/M.1457/M.1457-12/MC |
| TTA | TTAT.3G-A.S0012-D v2.0 | 2.0 | Approved | Oct 10 | http://www.tta.or.kr/data/ttasDown.jsp?where=14688&pk_num=TTAT.3G-A.S0012-D v2.0 |

5.2.2.1.1.121A.S0013

Access Network Interfaces (3G-IOS)

This specification defines the Interoperability Specification (IOS) for CDMA 2000 Access Network Interfaces – Part 3 Features.

| SDO (2) | Document No. | Version | Status | Issued date | Location (1) |
|-------------------|--------------------------|---------|-----------|-------------|---|
| Release C | | | | | |
| TTC | TS-3GB-A.S0013-Cv4.0 | 4.0 | Published | Dec 12 | http://www.ttc.or.jp/jp/document_list/free/3gpps2012/TS/TS-3GB-A.S0013-Cv4.0.pdf |
| TTC | TS-3GB-A.S0013-Bv1.0 | 1.0 | Published | Sep 04 | http://www.ttc.or.jp/imt/ts/tsas0013-Bv1.0.pdf |
| TTC | TS-3GB-A.S0013-Av2.0 | 2.0 | Published | Nov 03 | http://www.ttc.or.jp/imt/ts/tsas0013-Av2.0.pdf |
| TTC | TS-3GB-A.S0013-Dv3.0 | 3.0 | Published | Nov 11 | http://www.ttc.or.jp/jp/document_list/free/3gpps2011/TS/TS-3GB-A.S0013-Dv3.0.pdf |
| TTC | TS-3GB-A.S0013-Cv3.0 | 3.0 | Published | Dec 10 | http://www.ttc.or.jp/jp/document_list/free/3gpps2010/TS/TS-3GB-A.S0013-Cv3.0.pdf |
| TTC | TS-3GB-A.S0013-Cv2.0 | 2.0 | Published | Mar 06 | http://www.ttc.or.jp/imt/ts/tsas0013-Cv2.0.pdf |
| TTC | TS-3GB-A.S0013-Dv4.0 | 4.0 | Published | Dec 12 | http://www.ttc.or.jp/jp/document_list/free/3gpps2012/TS/TS-3GB-A.S0013-Dv4.0.pdf |
| TTC | TS-3GB-A.S0013-Dv2.0 | 2.0 | Published | Feb 10 | http://www.ttc.or.jp/imt/ts/tsas0013-dv20.pdf |
| Release 0 | | | | | |
| TTC | TS-3GB-A.S0013-0v2.0 | 2.0 | Published | Aug 02 | http://www.ttc.or.jp/imt/ts/tsas0013-0v2.0.pdf |
| Revision 0 | | | | | |
| TTA | TTAT.3G-A.S0013-0 v2.0 | 2.0 | Approved | Mar 03 | http://www.tta.or.kr/data/ttasDown.jsp?where=14688&pk_num=TTAT.3G-A.S0013-0 v2.0 |
| Revision A | | | | | |
| CCSA | CCSA-TSD-MC-A.S0013-A | 2.0.1 | Published | Dec 03 | http://www.ccsa.org.cn/english/tc/files.php?docpath=/ITU-R/M.1457/M.1457-12/MC |
| TTA | TTAT.3G-A.S0013-A v2.0.1 | 2.0.1 | Approved | May 05 | http://www.tta.or.kr/data/ttasDown.jsp?where=14688&pk_num=TTAT.3G-A.S0013-A v2.0.1 |
| Revision B | | | | | |
| CCSA | CCSA-TSD-MC-A.S0013-B | 1.0 | Published | May 04 | http://www.ccsa.org.cn/english/tc/files.php?docpath=/ITU-R/M.1457/M.1457-12/MC |
| TTA | TTAT.3G-A.S0013-B v1.0 | 1.0 | Approved | May 05 | http://www.tta.or.kr/data/ttasDown.jsp?where=14688&pk_num=TTAT.3G-A.S0013-B v1.0 |
| Revision C | | | | | |
| CCSA | CCSA-TSD-MC-A.S0013-C | 2.0 | Published | Dec 05 | http://www.ccsa.org.cn/english/tc/files.php?docpath=/ITU-R/M.1457/M.1457-12/MC |
| CCSA | CCSA-TSD-MC-A.S0013-C | 5.0 | Published | Jun 14 | http://www.ccsa.org.cn/english/tc/files.php?docpath=/ITU-R/M.1457/M.1457-12/MC |
| TTA | TTAT.3G-A.S0013-C v2.0 | 2.0 | Approved | Apr 06 | http://www.tta.or.kr/data/ttasDown.jsp?where=14688&pk_num=TTAT.3G-A.S0013-C v2.0 |
| Revision D | | | | | |
| CCSA | CCSA-TSD-MC-A.S0013-D | 5.0 | Published | Jun 14 | http://www.ccsa.org.cn/english/tc/files.php?docpath=/ITU-R/M.1457/M.1457-12/MC |
| TTA | TTAT.3G-A.S0013-D v2.0 | 2.0 | Approved | Oct 10 | http://www.tta.or.kr/data/ttasDown.jsp?where=14688&pk_num=TTAT.3G-A.S0013-D v2.0 |

5.2.2.1.1.122A.S0014

Access Network Interfaces (3G-IOS)

This specification defines the Interoperability Specification (IOS) for CDMA 2000 Access Network Interfaces – Part 4 (A1, A2 and A5 Interfaces).

| SDO (2) | Document No. | Version | Status | Issued date | Location (1) |
|------------------|----------------------|---------|-----------|-------------|---|
| Release C | | | | | |
| TTC | TS-3GB-A.S0014-Cv2.0 | 2.0 | Published | Mar 06 | http://www.ttc.or.jp/imt/ts/tsas0014-Cv2.0.pdf |
| TTC | TS-3GB-A.S0014-Cv3.0 | 3.0 | Published | Dec 10 | http://www.ttc.or.jp/jp/document_list/free/3gpps2010/TS/TS-3GB-A.S0014-Cv3.0.pdf |
| TTC | TS-3GB-A.S0014-Dv2.0 | 2.0 | Published | Feb 10 | http://www.ttc.or.jp/imt/ts/tsas0014-dv20.pdf |
| TTC | TS-3GB-A.S0014-Bv1.0 | 1.0 | Published | Sep 04 | http://www.ttc.or.jp/imt/ts/tsas0014-Bv1.0.pdf |
| TTC | TS-3GB-A.S0014-Av2.0 | 2.0 | Published | Nov 03 | http://www.ttc.or.jp/imt/ts/tsas0014-Av2.0.pdf |
| TTC | TS-3GB-A.S0014-Dv4.0 | 4.0 | Published | Dec 12 | http://www.ttc.or.jp/jp/document_list/free/3gpps2012/TS/TS-3GB-A.S0014-Dv4.0.pdf |
| TTC | TS-3GB-A.S0014-Cv4.0 | 4.0 | Published | Dec 12 | http://www.ttc.or.jp/jp/document_list/free/3gpps2012/TS/TS-3GB-A.S0014-Cv4.0.pdf |
| TTC | TS-3GB-A.S0014-Dv3.0 | 3.0 | Published | Nov 11 | http://www.ttc.or.jp/jp/document_list/free/3gpps2011/TS/TS-3GB-A.S0014-Dv3.0.pdf |
| Release 0 | | | | | |

| | | | | | |
|-------------------|--------------------------|-------|-----------|--------|---|
| TTC | TS-3GB-A.S0014-0v2.0 | 2.0 | Published | Aug 02 | http://www.ttc.or.jp/imt/ts/tsas0014-0v2.0.pdf |
| Revision 0 | | | | | |
| TTA | TTAT.3G-A.S0014-0 v2.0 | 2.0 | Approved | Mar 03 | http://www.tta.or.kr/data/ttasDown.jsp?where=14688&pk_num=TTAT.3G-A.S0014-0 v2.0 |
| Revision A | | | | | |
| CCSA | CCSA-TSD-MC-A.S0014-A | 2.0.1 | Published | Dec 03 | http://www.ccsa.org.cn/english/tc/files.php?docpath=/ITU-R/M.1457/M.1457-12/MC |
| TTA | TTAT.3G-A.S0014-A v2.0.1 | 2.0.1 | Approved | May 05 | http://www.tta.or.kr/data/ttasDown.jsp?where=14688&pk_num=TTAT.3G-A.S0014-A v2.0.1 |
| Revision B | | | | | |
| CCSA | CCSA-TSD-MC-A.S0014-B | 1.0 | Published | May 04 | http://www.ccsa.org.cn/english/tc/files.php?docpath=/ITU-R/M.1457/M.1457-12/MC |
| TTA | TTAT.3G-A.S0014-B v1.0 | 1.0 | Approved | May 05 | http://www.tta.or.kr/data/ttasDown.jsp?where=14688&pk_num=TTAT.3G-A.S0014-B v1.0 |
| Revision C | | | | | |
| CCSA | CCSA-TSD-MC-A.S0014-C | 5.0 | Published | Jun 14 | http://www.ccsa.org.cn/english/tc/files.php?docpath=/ITU-R/M.1457/M.1457-12/MC |
| CCSA | CCSA-TSD-MC-A.S0014-C | 2.0 | Published | Dec 05 | http://www.ccsa.org.cn/english/tc/files.php?docpath=/ITU-R/M.1457/M.1457-12/MC |
| TTA | TTAT.3G-A.S0014-C v2.0 | 2.0 | Approved | Apr 06 | http://www.tta.or.kr/data/ttasDown.jsp?where=14688&pk_num=TTAT.3G-A.S0014-C v2.0 |
| Revision D | | | | | |
| CCSA | CCSA-TSD-MC-A.S0014-D | 5.0 | Published | Jun 14 | http://www.ccsa.org.cn/english/tc/files.php?docpath=/ITU-R/M.1457/M.1457-12/MC |
| TTA | TTAT.3G-A.S0014-D v2.0 | 2.0 | Approved | Oct 10 | http://www.tta.or.kr/data/ttasDown.jsp?where=14688&pk_num=TTAT.3G-A.S0014-D v2.0 |

5.2.2.1.1.123A.S0015

Access Network Interfaces (3G-IOS)

This specification defines the Interoperability Specification (IOS) for CDMA 2000 Access Network Interfaces – Part 5 (A3 and A7 Interfaces).

| SDO (2) | Document No. | Version | Status | Issued date | Location (1) |
|-------------------|--------------------------|---------|-----------|-------------|---|
| Release A | | | | | |
| TTC | TS-3GB-A.S0015-Av2.0 | 2.0 | Published | Nov 03 | http://www.ttc.or.jp/imt/ts/tsas0015-Av2.0.pdf |
| TTC | TS-3GB-A.S0015-Cv3.0 | 3.0 | Published | Dec 10 | http://www.ttc.or.jp/jp/document_list/free/3gpps2010/TS/TS-3GB-A.S0015-Cv3.0.pdf |
| TTC | TS-3GB-A.S0015-Bv1.0 | 1.0 | Published | Sep 04 | http://www.ttc.or.jp/imt/ts/tsas0015-Bv1.0.pdf |
| TTC | TS-3GB-A.S0015-Dv2.0 | 2.0 | Published | Feb 10 | http://www.ttc.or.jp/imt/ts/tsas0015-dv20.pdf |
| TTC | TS-3GB-A.S0015-Cv2.0 | 2.0 | Published | Mar 06 | http://www.ttc.or.jp/imt/ts/tsas0015-Cv2.0.pdf |
| TTC | TS-3GB-A.S0015-Cv4.0 | 4.0 | Published | Dec 12 | http://www.ttc.or.jp/jp/document_list/free/3gpps2012/TS/TS-3GB-A.S0015-Cv4.0.pdf |
| TTC | TS-3GB-A.S0015-Dv3.0 | 3.0 | Published | Nov 11 | http://www.ttc.or.jp/jp/document_list/free/3gpps2011/TS/TS-3GB-A.S0015-Dv3.0.pdf |
| TTC | TS-3GB-A.S0015-Dv4.0 | 4.0 | Published | Dec 12 | http://www.ttc.or.jp/jp/document_list/free/3gpps2012/TS/TS-3GB-A.S0015Dv4.0.pdf |
| Release 0 | | | | | |
| TTC | TS-3GB-A.S0015-0v2.0 | 2.0 | Published | Aug 02 | http://www.ttc.or.jp/imt/ts/tsas0015-0v2.0.pdf |
| Revision 0 | | | | | |
| TTA | TTAT.3G-A.S0015-0 v2.0 | 2.0 | Approved | Mar 03 | http://www.tta.or.kr/data/ttasDown.jsp?where=14688&pk_num=TTAT.3G-A.S0015-0 v2.0 |
| Revision A | | | | | |
| CCSA | CCSA-TSD-MC-A.S0015-A | 2.0.1 | Published | Dec 03 | http://www.ccsa.org.cn/english/tc/files.php?docpath=/ITU-R/M.1457/M.1457-12/MC |
| TTA | TTAT.3G-A.S0015-A v2.0.1 | 2.0.1 | Approved | May 05 | http://www.tta.or.kr/data/ttasDown.jsp?where=14688&pk_num=TTAT.3G-A.S0015-A v2.0.1 |
| Revision B | | | | | |
| CCSA | CCSA-TSD-MC-A.S0015-B | 1.0 | Published | May 04 | http://www.ccsa.org.cn/english/tc/files.php?docpath=/ITU-R/M.1457/M.1457-12/MC |
| TTA | TTAT.3G-A.S0015-B v1.0 | 1.0 | Approved | May 05 | http://www.tta.or.kr/data/ttasDown.jsp?where=14688&pk_num=TTAT.3G-A.S0015-B v1.0 |
| Revision C | | | | | |

574

| | | | | | |
|------|------------------------|-----|-----------|--------|---|
| CCSA | CCSA-TSD-MC-A.S0015-C | 5.0 | Published | Jun 14 | http://www.ccsa.org.cn/english/tc/files.php?docpath=/ITU-R/M.1457/M.1457-12/MC |
| CCSA | CCSA-TSD-MC-A.S0015-C | 2.0 | Published | Dec 05 | http://www.ccsa.org.cn/english/tc/files.php?docpath=/ITU-R/M.1457/M.1457-12/MC |
| TTA | TTAT.3G-A.S0015-C v2.0 | 2.0 | Approved | Apr 06 | http://www.tta.or.kr/data/ttasDown.jsp?where=14688&pk_num=TTAT.3G-A.S0015-C v2.0 |

Revision D

| | | | | | |
|------|------------------------|-----|-----------|--------|---|
| CCSA | CCSA-TSD-MC-A.S0015-D | 5.0 | Published | Jun 14 | http://www.ccsa.org.cn/english/tc/files.php?docpath=/ITU-R/M.1457/M.1457-12/MC |
| TTA | TTAT.3G-A.S0015-D v2.0 | 2.0 | Approved | Oct 10 | http://www.tta.or.kr/data/ttasDown.jsp?where=14688&pk_num=TTAT.3G-A.S0015-D v2.0 |

5.2.2.1.1.124A.S0016

Access Network Interfaces (3G-IOS)

This specification defines the Interoperability Specification (IOS) for CDMA 2000 Access Network Interfaces – Part 6 (A8 and A9 Interfaces).

| SDO (2) | Document No. | Version | Status | Issued date | Location (1) |
|-------------------|--------------------------|---------|-----------|-------------|---|
| Release D | | | | | |
| TTC | TS-3GB-A.S0016-Dv3.0 | 3.0 | Published | Nov 11 | http://www.ttc.or.jp/jp/document_list/free/3gpps2011/TS/TS-3GB-A.S0016-Dv3.0.pdf |
| TTC | TS-3GB-A.S0016-Cv2.0 | 2.0 | Published | Mar 06 | http://www.ttc.or.jp/imt/ts/tsas0016-Cv2.0.pdf |
| TTC | TS-3GB-A.S0016-Dv2.0 | 2.0 | Published | Feb 10 | http://www.ttc.or.jp/imt/ts/tsas0016-dv20.pdf |
| TTC | TS-3GB-A.S0016-Bv1.0 | 1.0 | Published | Sep 04 | http://www.ttc.or.jp/imt/ts/tsas0016-Bv1.0.pdf |
| TTC | TS-3GB-A.S0016-Av2.0 | 2.0 | Published | Nov 03 | http://www.ttc.or.jp/imt/ts/tsas0016-Av2.0.pdf |
| TTC | TS-3GB-A.S0016-Cv3.0 | 3.0 | Published | Dec 10 | http://www.ttc.or.jp/jp/document_list/free/3gpps2010/TS/TS-3GB-A.S0016-Cv3.0.pdf |
| TTC | TS-3GB-A.S0016-Cv4.0 | 4.0 | Published | Dec 12 | http://www.ttc.or.jp/jp/document_list/free/3gpps2012/TS/TS-3GB-A.S0016-Cv4.0.pdf |
| TTC | TS-3GB-A.S0016-Dv4.0 | 4.0 | Published | Dec 12 | http://www.ttc.or.jp/jp/document_list/free/3gpps2012/TS/TS-3GB-A.S0016-Dv4.0.pdf |
| Release 0 | | | | | |
| TTC | TS-3GB-A.S0016-0v2.0 | 2.0 | Published | Aug 02 | http://www.ttc.or.jp/imt/ts/tsas0016-0v2.0.pdf |
| Revision 0 | | | | | |
| TTA | TTAT.3G-A.S0016-0 v2.0 | 2.0 | Approved | Mar 03 | http://www.tta.or.kr/data/ttasDown.jsp?where=14688&pk_num=TTAT.3G-A.S0016-0 v2.0 |
| Revision A | | | | | |
| CCSA | CCSA-TSD-MC-A.S0016-A | 2.0.1 | Published | Dec 03 | http://www.ccsa.org.cn/english/tc/files.php?docpath=/ITU-R/M.1457/M.1457-12/MC |
| TTA | TTAT.3G-A.S0016-A v2.0.1 | 2.0.1 | Approved | May 05 | http://www.tta.or.kr/data/ttasDown.jsp?where=14688&pk_num=TTAT.3G-A.S0016-A v2.0.1 |
| Revision B | | | | | |
| CCSA | CCSA-TSD-MC-A.S0016-B | 1.0 | Published | May 04 | http://www.ccsa.org.cn/english/tc/files.php?docpath=/ITU-R/M.1457/M.1457-12/MC |
| TTA | TTAT.3G-A.S0016-B v1.0 | 1.0 | Approved | May 05 | http://www.tta.or.kr/data/ttasDown.jsp?where=14688&pk_num=TTAT.3G-A.S0016-B v1.0 |
| Revision C | | | | | |
| CCSA | CCSA-TSD-MC-A.S0016-C | 5.0 | Published | Jun 14 | http://www.ccsa.org.cn/english/tc/files.php?docpath=/ITU-R/M.1457/M.1457-12/MC |
| CCSA | CCSA-TSD-MC-A.S0016-C | 2.0 | Published | Dec 05 | http://www.ccsa.org.cn/english/tc/files.php?docpath=/ITU-R/M.1457/M.1457-12/MC |
| TTA | TTAT.3G-A.S0016-C v2.0 | 2.0 | Approved | Apr 06 | http://www.tta.or.kr/data/ttasDown.jsp?where=14688&pk_num=TTAT.3G-A.S0016-C v2.0 |
| Revision D | | | | | |
| CCSA | CCSA-TSD-MC-A.S0016-D | 4.0 | Published | Jun 14 | http://www.ccsa.org.cn/english/tc/files.php?docpath=/ITU-R/M.1457/M.1457-12/MC |
| TTA | TTAT.3G-A.S0016-D v2.0 | 2.0 | Approved | Oct 10 | http://www.tta.or.kr/data/ttasDown.jsp?where=14688&pk_num=TTAT.3G-A.S0016-D v2.0 |

5.2.2.1.1.125A.S0017

Access Network Interfaces (3G-IOS)

ITU-R M.1457-12

This specification defines the Interoperability Specification (IOS) for CDMA 2000 Access Network Interfaces – Part 7 (A10 and A11 Interfaces).

| SDO (2) | Document No. | Version | Status | Issued date | Location (1) |
|-------------------|--------------------------|---------|-----------|-------------|---|
| Release A | | | | | |
| TTC | TS-3GB-A.S0017-Av2.0 | 2.0 | Published | Nov 03 | http://www.ttc.or.jp/imt/ts/tsas0017-Av2.0.pdf |
| TTC | TS-3GB-A.S0017-Bv1.0 | 1.0 | Published | Sep 04 | http://www.ttc.or.jp/imt/ts/tsas0017-Bv1.0.pdf |
| TTC | TS-3GB-A.S0017-Dv3.0 | 3.0 | Published | Nov 11 | http://www.ttc.or.jp/jp/document_list/free/3gpps2011/TS/TS-3GB-A.S0017-Dv3.0.pdf |
| TTC | TS-3GB-A.S0017-Cv2.0 | 2.0 | Published | Mar 06 | http://www.ttc.or.jp/imt/ts/tsas0017-Cv2.0.pdf |
| TTC | TS-3GB-A.S0017-Dv4.0 | 4.0 | Published | Dec 12 | http://www.ttc.or.jp/jp/document_list/free/3gpps2012/TS/TS-3GB-A.S0017-Dv4.0.pdf |
| TTC | TS-3GB-A.S0017-Cv4.0 | 4.0 | Published | Dec 12 | http://www.ttc.or.jp/jp/document_list/free/3gpps2012/TS/TS-3GB-A.S0017-Cv4.0.pdf |
| TTC | TS-3GB-A.S0017-Dv2.0 | 2.0 | Published | Feb 10 | http://www.ttc.or.jp/imt/ts/tsas0017-dv20.pdf |
| TTC | TS-3GB-A.S0017-Cv3.0 | 3.0 | Published | Dec 10 | http://www.ttc.or.jp/jp/document_list/free/3gpps2010/TS/TS-3GB-A.S0017-Cv3.0.pdf |
| Release 0 | | | | | |
| TTC | TS-3GB-A.S0017-0v2.0 | 2.0 | Published | Aug 02 | http://www.ttc.or.jp/imt/ts/tsas0017-0v2.0.pdf |
| Revision 0 | | | | | |
| TTA | TTAT.3G-A.S0017-0 v2.0 | 2.0 | Approved | Mar 03 | http://www.tta.or.kr/data/ttasDown.jsp?where=14688&pk_num=TTAT.3G-A.S0017-0 v2.0 |
| Revision A | | | | | |
| CCSA | CCSA-TSD-MC-A.S0017-A | 2.0.1 | Published | Dec 03 | http://www.ccsa.org.cn/english/tc/files.php?docpath=/ITU-R/M.1457/M.1457-12/MC |
| TTA | TTAT.3G-A.S0017-A v2.0.1 | 2.0.1 | Approved | May 05 | http://www.tta.or.kr/data/ttasDown.jsp?where=14688&pk_num=TTAT.3G-A.S0017-A v2.0.1 |
| Revision B | | | | | |
| CCSA | CCSA-TSD-MC-A.S0017-B | 1.0 | Published | May 04 | http://www.ccsa.org.cn/english/tc/files.php?docpath=/ITU-R/M.1457/M.1457-12/MC |
| TTA | TTAT.3G-A.S0017-B v1.0 | 1.0 | Approved | May 05 | http://www.tta.or.kr/data/ttasDown.jsp?where=14688&pk_num=TTAT.3G-A.S0017-B v1.0 |
| Revision C | | | | | |
| CCSA | CCSA-TSD-MC-A.S0017-C | 5.0 | Published | Jun 14 | http://www.ccsa.org.cn/english/tc/files.php?docpath=/ITU-R/M.1457/M.1457-12/MC |
| CCSA | CCSA-TSD-MC-A.S0017-C | 2.0 | Published | Dec 05 | http://www.ccsa.org.cn/english/tc/files.php?docpath=/ITU-R/M.1457/M.1457-12/MC |
| TTA | TTAT.3G-A.S0017-C v2.0 | 2.0 | Approved | Apr 06 | http://www.tta.or.kr/data/ttasDown.jsp?where=14688&pk_num=TTAT.3G-A.S0017-C v2.0 |
| Revision D | | | | | |
| CCSA | CCSA-TSD-MC-A.S0017-D | 5.0 | Published | Jun 14 | http://www.ccsa.org.cn/english/tc/files.php?docpath=/ITU-R/M.1457/M.1457-12/MC |
| TTA | TTAT.3G-A.S0017-D v2.0 | 2.0 | Approved | Oct 10 | http://www.tta.or.kr/data/ttasDown.jsp?where=14688&pk_num=TTAT.3G-A.S0017-D v2.0 |

5.2.2.1.1.126A.S0018

Interoperability Specification (IOS) for MSC Pool Network

This document describes the architecture (distribution of functions), protocols and procedures to support the MSC Pool feature.

| SDO (2) | Document No. | Version | Status | Issued date | Location (1) |
|-------------------|------------------------|---------|-----------|-------------|---|
| CCSA | CCSA-TSD-MC-A.S0018-0 | 1.0 | Published | Mar 10 | http://www.ccsa.org.cn/english/tc/files.php?docpath=/ITU-R/M.1457/M.1457-12/MC |
| Release 0 | | | | | |
| TTC | TS-3GB-A.S0018-0v1.0 | 1.0 | Published | Feb 10 | http://www.ttc.or.jp/imt/ts/tsas0018-0v10.pdf |
| Revision 0 | | | | | |
| TTA | TTAT.3G-A.S0018-0 v1.0 | 1.0 | Approved | Oct 10 | http://www.tta.or.kr/data/ttasDown.jsp?where=14688&pk_num=TTAT.3G-A.S0018-0 v1.0 |

5.2.2.1.1.127A.S0019**Interoperability Specification (IOS) for Broadcast Multicast Services (BCMCS)**

This document provides user level descriptions and access network call flows and messages designed to assist in the understanding of BCMCS operation.

| SDO (2) | Document No. | Version | Status | Issued date | Location (1) |
|-------------------|------------------------|---------|-----------|-------------|---|
| Release A | | | | | |
| TTC | TS-3GB-A.S0019-Av2.0 | 2.0 | Published | Jun 08 | http://www.ttc.or.jp/imt/ts/tsas0019-Av2.0.pdf |
| Release 0 | | | | | |
| TTC | TS-3GB-A.S0019-0v1.0 | 1.0 | Published | Mar 05 | http://www.ttc.or.jp/imt/ts/tsas0018-0v10.pdf |
| Revision 0 | | | | | |
| TTA | TTAT.3G-A.S0019-0 v2.0 | 2.0 | Approved | Dec 07 | http://www.tta.or.kr/data/ttasDown.jsp?where=14688&pk_num=TTAT.3G-A.S0019-0 v2.0 |
| Revision A | | | | | |
| CCSA | CCSA-TSD-MC-A.S0019-A | 2.0 | Published | Apr 08 | http://www.ccsa.org.cn/english/tc/files.php?docpath=/ITU-R/M.1457/M.1457-12/MC |
| TTA | TTAT.3G-A.S0019-A v2.0 | 2.0 | Approved | Oct 08 | http://www.tta.or.kr/data/ttasDown.jsp?where=14688&pk_num=TTAT.3G-A.S0019-A v2.0 |

5.2.2.1.1.128A.S0020**Interoperability Specification (IOS) for Ultra Mobile Broadband (UMB) Radio Access Network Interfaces**

This document provides an interoperability specification for a RAN that supports UMB.

| SDO (2) | Document No. | Version | Status | Issued date | Location (1) |
|-------------------|------------------------|---------|-----------|-------------|---|
| CCSA | CCSA-TSD-MC-A.S0020-0 | 2.0 | Published | Jul 08 | http://www.ccsa.org.cn/english/tc/files.php?docpath=/ITU-R/M.1457/M.1457-12/MC |
| Release 0 | | | | | |
| TTC | TS-3GB-A.S0020-0v2.0 | 2.0 | Published | Sep 08 | http://www.ttc.or.jp/imt/ts/tsas0020-0v2.0.pdf |
| Revision 0 | | | | | |
| TTA | TTAT.3G-A.S0020-0 v2.0 | 2.0 | Approved | Jul 09 | http://www.tta.or.kr/data/ttasDown.jsp?where=14688&pk_num=TTAT.3G-A.S0020-0 v2.0 |

5.2.2.1.1.129A.S0021**Inter-Technology Handoff for Ultra Mobile Broadband (UMB) Radio Access Network Interfaces**

This document describes the protocols and procedures to support inter-technology handoff between Ultra Mobile Broadband and other technologies.

| SDO (2) | Document No. | Version | Status | Issued date | Location (1) |
|-------------------|------------------------|---------|-----------|-------------|---|
| CCSA | CCSA-TSD-MC-A.S0021-0 | 1.0 | Published | Jul 08 | http://www.ccsa.org.cn/english/tc/files.php?docpath=/ITU-R/M.1457/M.1457-12/MC |
| Release 0 | | | | | |
| TTC | TS-3GB-A.S0021-0v1.0 | 1.0 | Published | Sep 08 | http://www.ttc.or.jp/imt/ts/tsas0021-0v1.0.pdf |
| Revision 0 | | | | | |
| TTA | TTAT.3G-A.S0021-0 v1.0 | 1.0 | Approved | Jul 09 | http://www.tta.or.kr/data/ttasDown.jsp?where=14688&pk_num=TTAT.3G-A.S0021-0 v1.0 |

5.2.2.1.1.130A.S0022**Interoperability Specification (IOS) for Evolved High Rate Packet Data (eHRPD) Radio Access Network Interfaces and Interworking with Enhanced Universal Terrestrial Radio Access Network (E-UTRAN)**

This document describes the interface protocols and procedures to support the Evolved High Rate Packet Data (eHRPD) Interoperability Specification (IOS) features listed in section 1.1.5.2.2.1.1.118.

| SDO (2) | Document No. | Version | Status | Issued date | Location (1) |
|-------------------|------------------------|---------|-----------|-------------|---|
| CCSA | CCSA-TSD-MC-A.S0022-0 | 2.0 | Published | Mar 10 | http://www.ccsa.org.cn/english/tc/files.php?docpath=/ITU-R/M.1457/M.1457-12/MC |
| TTA | TTAT.3G-A.S0022-B v1.0 | 1.0 | Approved | Aug 12 | http://www.tta.or.kr/data/ttasDown.jsp?where=14688&pk_num=TTAT.3G-A.S0022-B v1.0 |
| TTC | TS-3GB-A.S0022-Av2.0 | 2.0 | Published | Jun 12 | http://www.ttc.or.jp/jp/document_list/free/3gpps2012/TS/TS-3GB-A.S0022-Av2.0.pdf |
| TTC | TS-3GB-A.S0022-Bv1.0 | 1.0 | Published | Jun 12 | http://www.ttc.or.jp/jp/document_list/free/3gpps2012/TS/TS-3GB-A.S0022-Bv1.0.pdf |
| TTC | TS-3GB-A.S0022-Av1.0 | 1.0 | Published | Apr 11 | http://www.ttc.or.jp/jp/document_list/free/3gpps2011/TS/TS-3GB-A.S0022-Av1.0.pdf |
| Release 0 | | | | | |
| TTC | TS-3GB-A.S0022-0v2.0 | 2.0 | Published | Jul 10 | http://www.ttc.or.jp/imt/ts/tsas0022-0v20.pdf |
| Revision 0 | | | | | |
| TTA | TTAT.3G-A.S0022-0 v1.0 | 1.0 | Approved | Oct 10 | http://www.tta.or.kr/data/ttasDown.jsp?where=14688&pk_num=TTAT.3G-A.S0022-0 v1.0 |
| Revision A | | | | | |
| CCSA | CCSA-TSD-MC-A.S0022-A | 2.0 | Published | Jun 14 | http://www.ccsa.org.cn/english/tc/files.php?docpath=/ITU-R/M.1457/M.1457-12/MC |
| Revision B | | | | | |
| CCSA | CCSA-TSD-MC-A.S0022-B | 1.0 | Published | Jun 14 | http://www.ccsa.org.cn/english/tc/files.php?docpath=/ITU-R/M.1457/M.1457-12/MC |

5.2.2.1.1.131A.S0023**Interoperability Specification (IOS) for High Rate Packet Data (HRPD) Radio Access Network Interfaces and Interworking with World Interoperability for Microwave Access (WiMAX)**

This specification defines the access network aspects of High Rate Packet Data (HRPD) systems that interwork with World Interoperability for Microwave Access (WiMAX) systems.

| SDO (2) | Document No. | Version | Status | Issued date | Location (1) |
|------------------|-----------------------|---------|-----------|-------------|---|
| CCSA | CCSA-TSD-MC-A.S0024-0 | 1.0 | Published | Mar 10 | http://www.ccsa.org.cn/english/tc/files.php?docpath=/ITU-R/M.1457/M.1457-12/MC |
| Release 0 | | | | | |
| TTC | TS-3GB-A.S0023-0v1.0 | 1.0 | Published | Jul 09 | http://www.ttc.or.jp/imt/ts/tsas0023-0v10.pdf |

5.2.2.1.1.132A.S0024**Interoperability Specification (IOS) for Femtocell Access Points**

This specification provides an interoperability specification for a RAN that supports femtocell operation. This document contains message procedures and formats necessary to obtain this interoperability.

578

ITU-R M.1457-12

| SDO (2) | Document No. | Version | Status | Issued date | Location (1) |
|-------------------|------------------------|---------|-----------|-------------|---|
| CCSA | CCSA-TSD-MC-A.S0024-0 | 1.0 | Published | Mar 10 | http://www.ccsa.org.cn/english/tc/files.php?docpath=/ITU-R/M.1457/M.1457-12/MC |
| TTA | TTAT.3G-A.S0024-A v2.0 | 2.0 | Approved | Aug 12 | http://www.tta.or.kr/data/ttasDown.jsp?where=14688&pk_num=TTAT.3G-A.S0024-A v2.0 |
| TTC | TS-3GB-A.S0024-Bv1.0 | 1.0 | Published | Jun 13 | http://www.ttc.or.jp/jp/document_list/free/3gpps2013/TS/TS-3GB-A.S0024-Bv1.0.pdf |
| TTC | TS-3GB-A.S0024-Av2.0 | 2.0 | Published | Jun 12 | http://www.ttc.or.jp/jp/document_list/free/3gpps2012/TS/TS-3GB-A.S0024-Av2.0.pdf |
| Release 0 | | | | | |
| TTC | TS-3GB-A.S0024-0v1.0 | 1.0 | Published | Jul 10 | http://www.ttc.or.jp/imt/ts/tsas0024-0v10.pdf |
| Revision A | | | | | |
| CCSA | CCSA-TSD-MC-A.S0024-A | 2.0 | Published | Jun 14 | http://www.ccsa.org.cn/english/tc/files.php?docpath=/ITU-R/M.1457/M.1457-12/MC |
| Revision B | | | | | |
| CCSA | CCSA-TSD-MC-A.S0024-B | 1.0 | Published | Jun 14 | http://www.ccsa.org.cn/english/tc/files.php?docpath=/ITU-R/M.1457/M.1457-12/MC |

5.2.2.1.1.133 A.S0025

Interoperability Specification (IOS) for cdma2000 Machine to Machine Communications

This document includes a description of the interface protocols and procedures to support the Machine To Machine (M2M) communications. The purpose of this document is to provide a guide for optimized standards and message flows for Radio Access Network (RAN) interfaces for M2M communications.

| SDO (2) | Document No. | Version | Status | Issued date | Location (1) |
|---------|-----------------------|---------|-----------|-------------|---|
| CCSA | CCSA-TSD-MC-A.S0025-0 | 1.0 | Published | Jun 14 | http://www.ccsa.org.cn/english/tc/files.php?docpath=/ITU-R/M.1457/M.1457-12/MC |

5.2.2.1.2

cdma2000 System and Service Aspects Specifications

| SDO (2) | Document No. | Version | Status | Issued date | Location (1) |
|---------|--------------|---------|--------|-------------|--------------|
|---------|--------------|---------|--------|-------------|--------------|

5.2.2.1.2.1 S.R0005

3GPP2 Network Reference Model

This document describes the network entities and associated reference points that comprise a wireless network.

| SDO (2) | Document No. | Version | Status | Issued date | Location (1) |
|-------------------|------------------------|---------|-----------|-------------|---|
| CCSA | CCSA-TSD-MC-S.R0005-0 | 1.0 | Published | Jun 12 | http://www.ccsa.org.cn/english/tc/files.php?docpath=/ITU-R/M.1457/M.1457-12/MC |
| CCSA | CCSA-TSD-MC-S.R0005-A | 1.0 | Published | Jun 14 | http://www.ccsa.org.cn/english/tc/files.php?docpath=/ITU-R/M.1457/M.1457-12/MC |
| CCSA | CCSA-TSD-MC-S.R0005-B | 2.0 | Published | Jun 14 | http://www.ccsa.org.cn/english/tc/files.php?docpath=/ITU-R/M.1457/M.1457-12/MC |
| TTC | TS-3GB-S.R0005-Bv2.0 | 2.0 | Published | Sep 07 | http://www.ttc.or.jp/imt/ts/tssr0005-Bv2.0.pdf |
| Revision A | | | | | |
| TTA | TTAT.3G-S.R0005-A v1.0 | 1.0 | Approved | Dec 07 | http://www.tta.or.kr/data/ttasDown.jsp?where=14688&pk_num=TTAT.3G-S.R0005-A v1.0 |
| Revision B | | | | | |
| TIA | TSB-100-A-2 | 2.0 | Published | Feb 11 | http://www.tiaonline.org/standards/technology/cdma2000/disclaimer.cfm |

5.2.2.1.3 cdma2000 Core Network Specifications

5.2.2.1.3.1 N.S0003

User Identity Module

This specification defines the enhancements required to support mobile stations equipped with UIMs.

| SDO (2) | Document No. | Version | Status | Issued date | Location (1) |
|-------------------|-----------------------|---------|-----------|-------------|---|
| CCSA | CCSA-TSD-MC-N.S0003-0 | 1.0 | Published | Apr 01 | http://www.ccsa.org.cn/english/tc/files.php?docpath=/ITU-R/M.1457/M.1457-12/MC |
| Release | | | | | |
| TTC | TS-3GB-N.S0003v1.0 | 1.0 | Published | May 01 | http://www.ttc.or.jp/imt/ts/tsns0003v10.pdf |
| Revision 0 | | | | | |
| TIA | TIA-EIA-IS-808 | 1.0 | Published | Nov 00 | http://www.tiaonline.org/standards/technology/cdma2000/disclaimer.cfm |
| TTA | TTAE.3G-N.S0003 | 1.0 | Approved | Jul 00 | http://www.tta.or.kr/data/ttasDown.jsp?where=14688&pk_num=TTAE.3G-N.S0003 |

5.2.2.1.3.2 N.S0004

WIN Phase 2

This specification defines the enhancements for wireless intelligent network (WIN) which includes trigger for preferred language, advice of charge, rejection of undesired annoying calls, premium rate charging, and freephone service.

| SDO (2) | Document No. | Version | Status | Issued date | Location (1) |
|-------------------|---------------------------|---------|-----------|-------------|---|
| CCSA | CCSA-TSD-MC-N.S0004-0 | 1.0 | Published | Apr 01 | http://www.ccsa.org.cn/english/tc/files.php?docpath=/ITU-R/M.1457/M.1457-12/MC |
| CCSA | CCSA-TSD-MC-N.S0004-000-E | 10.0 | Published | Jun 14 | http://www.ccsa.org.cn/english/tc/files.php?docpath=/ITU-R/M.1457/M.1457-12/MC |
| Release 0 | | | | | |
| TTC | TS-3GB-N.S0004-0v1.0 | 1.0 | Published | May 01 | http://www.ttc.or.jp/imt/ts/tsns0004-0v10.pdf |
| Revision 0 | | | | | |
| TIA | TIA-EIA-IS-848 | 1.0 | Published | Nov 00 | http://www.tiaonline.org/standards/technology/cdma2000/disclaimer.cfm |
| TTA | TTAE.3G-N.S0004 | 1.0 | Approved | Jul 00 | http://www.tta.or.kr/data/ttasDown.jsp?where=14688&pk_num=TTAE.3G-N.S0004 |

5.2.2.1.3.3 X.S0004

Mobile Application Part

This specification describes procedures necessary to provide to wireless radio telephone subscribers certain services requiring interaction between different wireless systems.

| SDO (2) | Document No. | Version | Status | Issued date | Location (1) |
|-------------------|---------------------|---------|-----------|-------------|---|
| CCSA | CCSA-TSD-MC-X.S0004 | 1.0 | Published | Apr 01 | http://www.ccsa.org.cn/english/tc/files.php?docpath=/ITU-R/M.1457/M.1457-12/MC |
| Revision E | | | | | |
| TIA | TIA-41-E-1 | 2.0 | Published | May 12 | http://www.tiaonline.org/standards/technology/cdma2000/disclaimer.cfm |
| TIA | TIA-41-E | 1.0 | Published | May 12 | http://www.tiaonline.org/standards/technology/cdma2000/disclaimer.cfm |

| | | | | | |
|-----|----------------------------|-----|-----------|--------|---|
| TIA | TIA-41.000-E-9 | 10 | Published | May 12 | http://www.tiaonline.org/standards/technology/cdma2000/disclaimer.cfm |
| TIA | TIA-41-E-2 | 3.0 | Published | May 12 | http://www.tiaonline.org/standards/technology/cdma2000/disclaimer.cfm |
| TTA | TTAT.3G-X.S0004-000-E v8.0 | 9.0 | Approved | Sep 09 | http://www.tta.or.kr/data/ttasDown.jsp?where=14688&pk_num=TTAT.3G-X.S0004-000-E v8.0 |
| TTA | TTAT.3G-X.S0004-324 v2.0 | 2.0 | Approved | Jul 09 | http://www.tta.or.kr/data/ttasDown.jsp?where=14688&pk_num=TTAT.3G-X.S0004-324 v2.0 |
| TTA | TTAT.3G-X.S0004-323 v1.0 | 1.0 | Approved | Jul 09 | http://www.tta.or.kr/data/ttasDown.jsp?where=14688&pk_num=TTAT.3G-X.S0004-323 v1.0 |
| TTA | TTAT.3G-X.S0004-332 v1.0 | 1.0 | Approved | Jul 09 | http://www.tta.or.kr/data/ttasDown.jsp?where=14688&pk_num=TTAT.3G-X.S0004-332 v1.0 |
| TTA | TTAT.3G-X.S0004-330 v1.0 | 1.0 | Approved | Jul 09 | http://www.tta.or.kr/data/ttasDown.jsp?where=14688&pk_num=TTAT.3G-X.S0004-330 v1.0 |
| TTA | TTAT.3G-X.S0004-334 v1.0 | 1.0 | Approved | Jul 09 | http://www.tta.or.kr/data/ttasDown.jsp?where=14688&pk_num=TTAT.3G-X.S0004-334 v1.0 |
| TTA | TTAT.3G-X.S0004-328 v2.0 | 2.0 | Approved | Jul 09 | http://www.tta.or.kr/data/ttasDown.jsp?where=14688&pk_num=TTAT.3G-X.S0004-328 v2.0 |
| TTA | TTAT.3G-X.S0004-327 v1.0 | 1.0 | Approved | Jul 09 | http://www.tta.or.kr/data/ttasDown.jsp?where=14688&pk_num=TTAT.3G-X.S0004-327 v1.0 |
| TTA | TTAT.3G-X.S0004-329 v1.0 | 1.0 | Approved | Jul 09 | http://www.tta.or.kr/data/ttasDown.jsp?where=14688&pk_num=TTAT.3G-X.S0004-329 v1.0 |
| TTA | TTAT.3G-X.S0004-326 v1.0 | 1.0 | Approved | Jul 09 | http://www.tta.or.kr/data/ttasDown.jsp?where=14688&pk_num=TTAT.3G-X.S0004-326 v1.0 |
| TTA | TTAT.3G-X.S0004-540 v2.0 | 2.0 | Approved | Jul 09 | http://www.tta.or.kr/data/ttasDown.jsp?where=14688&pk_num=TTAT.3G-X.S0004-540 v2.0 |
| TTA | TTAT.3G-X.S0004-333 v1.0 | 1.0 | Approved | Jul 09 | http://www.tta.or.kr/data/ttasDown.jsp?where=14688&pk_num=TTAT.3G-X.S0004-333 v1.0 |
| TTA | TTAT.3G-X.S0004-371 v1.0 | 1.0 | Approved | Jul 09 | http://www.tta.or.kr/data/ttasDown.jsp?where=14688&pk_num=TTAT.3G-X.S0004-371 v1.0 |
| TTA | TTAT.3G-X.S0004-322 v1.0 | 1.0 | Approved | Jul 09 | http://www.tta.or.kr/data/ttasDown.jsp?where=14688&pk_num=TTAT.3G-X.S0004-322 v1.0 |
| TTA | TTAT.3G-X.S0004-550 v2.0 | 2.0 | Approved | Jul 09 | http://www.tta.or.kr/data/ttasDown.jsp?where=14688&pk_num=TTAT.3G-X.S0004-550 v2.0 |
| TTA | TTAT.3G-X.S0004-325 v1.0 | 1.0 | Approved | Jul 09 | http://www.tta.or.kr/data/ttasDown.jsp?where=14688&pk_num=TTAT.3G-X.S0004-325 v1.0 |
| TTA | TTAT.3G-X.S0004-520 v2.0 | 2.0 | Approved | Jul 09 | http://www.tta.or.kr/data/ttasDown.jsp?where=14688&pk_num=TTAT.3G-X.S0004-520 v2.0 |
| TTA | TTAT.3G-X.S0004-335 v1.0 | 1.0 | Approved | Jul 09 | http://www.tta.or.kr/data/ttasDown.jsp?where=14688&pk_num=TTAT.3G-X.S0004-335 v1.0 |
| TTA | TTAT.3G-X.S0004-372 v1.0 | 1.0 | Approved | Jul 09 | http://www.tta.or.kr/data/ttasDown.jsp?where=14688&pk_num=TTAT.3G-X.S0004-372 v1.0 |
| TTA | TTAT.3G-X.S0004-331 v1.0 | 1.0 | Approved | Jul 09 | http://www.tta.or.kr/data/ttasDown.jsp?where=14688&pk_num=TTAT.3G-X.S0004-331 v1.0 |
| TTA | TTAT.3G-X.S0004-630 v3.0 | 3.0 | Approved | Jul 09 | http://www.tta.or.kr/data/ttasDown.jsp?where=14688&pk_num=TTAT.3G-X.S0004-630 v3.0 |
| TTA | TTAT.3G-X.S0004-640 v2.0 | 2.0 | Approved | Jul 09 | http://www.tta.or.kr/data/ttasDown.jsp?where=14688&pk_num=TTAT.3G-X.S0004-640 v2.0 |
| TTA | TTAT.3G-X.S0004-651 v2.0 | 2.0 | Approved | Jul 09 | http://www.tta.or.kr/data/ttasDown.jsp?where=14688&pk_num=TTAT.3G-X.S0004-651 v2.0 |
| TTA | TTAT.3G-X.S0004-690 v2.0 | 2.0 | Approved | Jul 09 | http://www.tta.or.kr/data/ttasDown.jsp?where=14688&pk_num=TTAT.3G-X.S0004-690 v2.0 |
| TTA | TTAT.3G-X.S0004-350 v1.0 | 1.0 | Approved | Jul 09 | http://www.tta.or.kr/data/ttasDown.jsp?where=14688&pk_num=TTAT.3G-X.S0004-350 v1.0 |
| TTA | TTAT.3G-X.S0004-691 v3.0 | 3.0 | Approved | Jul 09 | http://www.tta.or.kr/data/ttasDown.jsp?where=14688&pk_num=TTAT.3G-X.S0004-691 v3.0 |
| TTA | TTAT.3G-X.S0004-590 v1.0 | 1.0 | Approved | Jul 09 | http://www.tta.or.kr/data/ttasDown.jsp?where=14688&pk_num=TTAT.3G-X.S0004-590 v1.0 |
| TTA | TTAT.3G-X.S0004-321 v2.0 | 2.0 | Approved | Jul 09 | http://www.tta.or.kr/data/ttasDown.jsp?where=14688&pk_num=TTAT.3G-X.S0004-321 v2.0 |
| TTA | TTAT.3G-X.S0004-641 v2.0 | 2.0 | Approved | Jul 09 | http://www.tta.or.kr/data/ttasDown.jsp?where=14688&pk_num=TTAT.3G-X.S0004-641 v2.0 |
| TTA | TTAT.3G-X.S0004-336 v1.0 | 1.0 | Approved | Jul 09 | http://www.tta.or.kr/data/ttasDown.jsp?where=14688&pk_num=TTAT.3G-X.S0004-336 v1.0 |

5.2.2.2 TDD component

5.2.2.2.1 cdma2000® radio aspects specifications

5.2.2.2.1.1 C.S0009

Standard for Wideband Spread Spectrum Systems

This specification defines the original variable rate speech codec which has a full rate of 8 kbit/s.

| SDO (2) | Document No. | Version | Status | Issued date | Location (1) |
|------------|--------------|---------|-----------|-------------|---|
| Revision 0 | | | | | |
| TIA | TIA/EIA-96-C | 1.0 | Published | Aug 98 | http://www.tiaonline.org/standards/technology/cdma2000/disclaimer.cfm |

| | | | | | |
|-----|-----------------|-----|----------|--------|---|
| TTA | TTAE.3G-C.S0009 | 1.0 | Approved | Jul 00 | http://www.tta.or.kr/data/ttasDown.jsp?where=14688&pk_num=TTAE.3G-C.S0009 |
|-----|-----------------|-----|----------|--------|---|

5.2.2.2.1.2 C.S0012

Minimum Performance Standard for Speech Service Option 1

This specification provides definitions, methods of measurement, and minimum performance requirements for the 8 kbit/s speech codec, C.S0009 (see § 5.2.2.2.1.9).

| SDO (2) | Document No. | Version | Status | Issued date | Location (1) |
|-------------------|-----------------|---------|-----------|-------------|---|
| Revision 0 | | | | | |
| TIA | TIA/EIA-125-A | 1.0 | Published | Aug 00 | http://www.tiaonline.org/standards/technology/cdma2000/disclaimer.cfm |
| TTA | TTAE.3G-C.S0012 | 1.0 | Approved | Jul 00 | http://www.tta.or.kr/data/ttasDown.jsp?where=14688&pk_num=TTAE.3G-C.S0012 |

5.2.2.2.1.3 C.S0014

Enhanced Variable Rate Codec Speech Service Option 3 for Wideband Speech Digital Systems – Addendum 3

This specification defines the Enhanced Variable Rate Speech codec (EVRC) which has a full rate of 8 kbit/s.

| SDO (2) | Document No. | Version | Status | Issued date | Location (1) |
|-------------------|------------------------|---------|-----------|-------------|---|
| Release E | | | | | |
| TTA | TTAT.3G-C.S0014-E v1.0 | 1.0 | Approved | Aug 12 | http://www.tta.or.kr/data/ttasDown.jsp?where=14688&pk_num=TTAT.3G-C.S0014-E v1.0 |
| Revision 0 | | | | | |
| TIA | TIA/EIA/IS-127-3 | 1.0 | Published | Sep 01 | http://www.tiaonline.org/standards/technology/cdma2000/disclaimer.cfm |
| TIA | TIA/EIA/IS-127 | 1.0 | Published | Jan 97 | http://www.tiaonline.org/standards/technology/cdma2000/disclaimer.cfm |
| TTA | TTAE.3G-C.S0014 | 1.0 | Approved | Jul 00 | http://www.tta.or.kr/data/ttasDown.jsp?where=14688&pk_num=TTAE.3G-C.S0014 |
| Revision A | | | | | |
| TIA | TIA-127-A | 1.0 | Published | May 04 | http://www.tiaonline.org/standards/technology/cdma2000/disclaimer.cfm |
| TTA | TTAT.3G-C.S0014-A v1.0 | 1.0 | Approved | May 05 | http://www.tta.or.kr/data/ttasDown.jsp?where=14688&pk_num=TTAT.3G-C.S0014-A v1.0 |
| Revision B | | | | | |
| TIA | TIA-127-B | 1.0 | Published | Dec 06 | http://www.tiaonline.org/standards/technology/cdma2000/disclaimer.cfm |
| TTA | TTAT.3G-C.S0014-B v1.0 | 1.0 | Approved | Dec 07 | http://www.tta.or.kr/data/ttasDown.jsp?where=14688&pk_num=TTAT.3G-C.S0014-B v1.0 |
| Revision C | | | | | |
| TIA | TIA-127-C | 1.0 | Published | Feb 07 | http://www.tiaonline.org/standards/technology/cdma2000/disclaimer.cfm |
| TTA | TTAT.3G-C.S0014-C v1.0 | 1.0 | Approved | Dec 07 | http://www.tta.or.kr/data/ttasDown.jsp?where=14688&pk_num=TTAT.3G-C.S0014-C v1.0 |
| Revision D | | | | | |
| TIA | TIA-127-D-1 | 3.0 | Published | Nov 11 | http://www.tiaonline.org/standards/technology/cdma2000/disclaimer.cfm |
| TTA | TTAT.3G-C.S0014-D v2.0 | 2.0 | Approved | | http://www.tta.or.kr/data/ttasDown.jsp?where=14688&pk_num=TTAT.3G-C.S0014-D v2.0 |
| Revision E | | | | | |
| TIA | TIA-127-E | 1.0 | Published | Sep 12 | http://www.tiaonline.org/standards/technology/cdma2000/disclaimer.cfm |

5.2.2.2.1.4 C.S0015

Short Message Services for Wideband Spread Spectrum Systems

This specification defines the short message service feature and related procedures.

| SDO (2) | Document No. | Version | Status | Issued date | Location (1) |
|-------------------|------------------------|---------|-----------|-------------|---|
| Revision 0 | | | | | |
| TIA | TIA/EIA-637-A | 1.0 | Published | Sep 99 | http://www.tiaonline.org/standards/technology/cdma2000/disclaimer.cfm |
| TTA | TTAE.3G-C.S0015 | 1.0 | Approved | Jul 00 | http://www.tta.or.kr/data/ttasDown.jsp?where=14688&pk_num=TTAE.3G-C.S0015 |
| Revision A | | | | | |
| TIA | TIA-637-B-1[E] | 2.0 | Published | Nov 06 | http://www.tiaonline.org/standards/technology/cdma2000/disclaimer.cfm |
| TTA | TTAT.3G-C.S0015-A v2.0 | 2.0 | Approved | Dec 07 | http://www.tta.or.kr/data/ttasDown.jsp?where=14688&pk_num=TTAT.3G-C.S0015-A v2.0 |
| Revision B | | | | | |
| TIA | TIA-637-C-1[E] | 2.0 | Published | Feb 07 | http://www.tiaonline.org/standards/technology/cdma2000/disclaimer.cfm |
| TTA | TTAT.3G-C.S0015-B v2.0 | 2.0 | Approved | Dec 07 | http://www.tta.or.kr/data/ttasDown.jsp?where=14688&pk_num=TTAT.3G-C.S0015-B v2.0 |
| Revision C | | | | | |
| TIA | TIA-637-D | 1.0 | Published | Jan 13 | http://www.tiaonline.org/standards/technology/cdma2000/disclaimer.cfm |

5.2.2.2.1.5 C.S0016

Over-the-Air Provisioning of Mobile Stations in Spread Spectrum Systems

This specification defines the over-the-air service provisioning (OTASP) feature and related procedures. This includes over-the-air provisioning of operational parameters, system selection for preferred roaming, and service programming locks.

| SDO (2) | Document No. | Version | Status | Issued date | Location (1) |
|-------------------|------------------------|---------|-----------|-------------|---|
| Revision 0 | | | | | |
| TIA | TIA/EIA/IS-683-A | 1.0 | Published | Jun 98 | http://www.tiaonline.org/standards/technology/cdma2000/disclaimer.cfm |
| TTA | TTAE.3G-C.S0016 | 1.0 | Approved | Jul 00 | http://www.tta.or.kr/data/ttasDown.jsp?where=14688&pk_num=TTAE.3G-C.S0016 |
| Revision A | | | | | |
| TIA | TIA/EIA-683-B | 2.0 | Published | Dec 01 | http://www.tiaonline.org/standards/technology/cdma2000/disclaimer.cfm |
| TTA | TTAE.3G-C.S0016-A v2.0 | 2.0 | Approved | Dec 01 | http://www.tta.or.kr/data/ttasDown.jsp?where=14688&pk_num=TTAE.3G-C.S0016-A v2.0 |
| Revision B | | | | | |
| TIA | TIA-683-C | 1.0 | Published | Mar 08 | http://www.tiaonline.org/standards/technology/cdma2000/disclaimer.cfm |
| TTA | TTAT.3G-C.S0016-B v1.0 | 1.0 | Approved | May 05 | http://www.tta.or.kr/data/ttasDown.jsp?where=14688&pk_num=TTAT.3G-C.S0016-B v1.0 |
| Revision C | | | | | |
| TIA | TIA-683-D | 1.0 | Published | May 06 | http://www.tiaonline.org/standards/technology/cdma2000/disclaimer.cfm |
| TTA | TTAT.3G-C.S0016-C v2.0 | 2.0 | Approved | Jul 09 | http://www.tta.or.kr/data/ttasDown.jsp?where=14688&pk_num=TTAT.3G-C.S0016-C v2.0 |
| Revision D | | | | | |
| TIA | TIA-683-E-1[E] | 2.0 | Published | May 12 | http://www.tiaonline.org/standards/technology/cdma2000/disclaimer.cfm |
| TTA | TTAT.3G-C.S0016-D v1.0 | 1.0 | Approved | Oct 10 | http://www.tta.or.kr/data/ttasDown.jsp?where=14688&pk_num=TTAT.3G-C.S0016-D v1.0 |

5.2.2.2.1.6 C.S0017

Data Service Options for Spread Spectrum Systems

This specification defines the CDMA data services, which include asynchronous and synchronous circuit switched data, packet data, and analog fax. This specification includes the definition of the protocol stack, and specifications for the various protocol layers.

| SDO (2) | Document No. | Version | Status | Issued date | Location (1) |
|-------------------|----------------------------|---------|-----------|-------------|---|
| Revision 0 | | | | | |
| TIA | TIA/IS-707-A-3 | 5.0 | Published | Feb 03 | http://www.tiaonline.org/standards/technology/cdma2000/disclaimer.cfm |
| TIA | TIA-707-A-4[E] | 3.0 | Published | Apr 13 | http://www.tiaonline.org/standards/technology/cdma2000/disclaimer.cfm |
| TIA | TIA/EIA/IS-707-A-2 | 2.0 | Published | Mar 01 | http://www.tiaonline.org/standards/technology/cdma2000/disclaimer.cfm |
| TIA | TIA/EIA/IS-707-A-1 | 1.0 | Published | Dec 99 | http://www.tiaonline.org/standards/technology/cdma2000/disclaimer.cfm |
| TIA | TIA/EIA/IS-707-A | | Published | Apr 99 | http://www.tiaonline.org/standards/technology/cdma2000/disclaimer.cfm |
| TTA | TTAT.3G-C.S0017-0 v5.0 | 5.0 | Approved | May 04 | http://www.tta.or.kr/data/ttasDown.jsp?where=14688&pk_num=TTAT.3G-C.S0017-0 v5.0 |
| TTA | TTAT.3G-C.S0017-010-0 v3.0 | 3.0 | Published | | http://www.tta.or.kr/data/ttasDown.jsp?where=14688&pk_num=TTAT.3G-C.S0017-010-0 v3.0 |
| Revision A | | | | | |
| TIA | TIA-707-12-B-1[E] | 2.0 | Published | Jun 06 | http://www.tiaonline.org/standards/technology/cdma2000/disclaimer.cfm |
| TIA | TIA-707-07-B | 1.0 | Published | Sep 09 | http://www.tiaonline.org/standards/technology/cdma2000/disclaimer.cfm |
| TIA | TIA-707-05-B | 1.0 | Published | Mar 10 | http://www.tiaonline.org/standards/technology/cdma2000/disclaimer.cfm |
| TIA | TIA-707-09-B | 1.0 | Published | Sep 09 | http://www.tiaonline.org/standards/technology/cdma2000/disclaimer.cfm |
| TIA | TIA-707-10-B-1[E] | 2.0 | Published | Jun 06 | http://www.tiaonline.org/standards/technology/cdma2000/disclaimer.cfm |
| TIA | TIA-707.01-B | 1.0 | Published | Sep 09 | http://www.tiaonline.org/standards/technology/cdma2000/disclaimer.cfm |
| TIA | TIA-707-11-B | 1.0 | Published | Mar 12 | http://www.tiaonline.org/standards/technology/cdma2000/disclaimer.cfm |
| TIA | TIA-707-04-B | 1.0 | Published | Mar 10 | http://www.tiaonline.org/standards/technology/cdma2000/disclaimer.cfm |
| TIA | TIA-707-03-B | 1.0 | Published | Mar 10 | http://www.tiaonline.org/standards/technology/cdma2000/disclaimer.cfm |
| TTA | TTAT.3G-C.S0017-001-A v1.0 | 1.0 | Approved | May 05 | http://www.tta.or.kr/data/ttasDown.jsp?where=14688&pk_num=TTAT.3G-C.S0017-001-A v1.0 |

5.2.2.2.1.7 C.S0018

Minimum Performance Specification for Enhanced Variable Rate Codec (EVRC) Speech Option 3 for Spread Spectrum Systems

This specification provides definitions, methods of measurement, and minimum performance requirements for the EVRC speech codec, C.S0014 (see § 5.2.2.2.1.14).

| SDO (2) | Document No. | Version | Status | Issued date | Location (1) |
|-------------------|------------------------|---------|-----------|-------------|---|
| Release A | | | | | |
| TTA | TTAT.3G-C.S0018-A v1.0 | 1.0 | Approved | Aug 12 | http://www.tta.or.kr/data/ttasDown.jsp?where=14688&pk_num=TTAT.3G-C.S0018-A v1.0 |
| Revision 0 | | | | | |
| TIA | TIA/EIA/IS-718 | 1.0 | Published | Jul 98 | http://www.tiaonline.org/standards/technology/cdma2000/disclaimer.cfm |
| TTA | TTAE.3G-C.S0018 | 1.0 | Approved | Jul 00 | http://www.tta.or.kr/data/ttasDown.jsp?where=14688&pk_num=TTAE.3G-C.S0018 |
| Revision B | | | | | |
| TIA | TIA/EIA/IS-718-B | 1.0 | Published | Oct 07 | http://www.tiaonline.org/standards/technology/cdma2000/disclaimer.cfm |
| TTA | TTAT.3G-C.S0018-B v1.0 | 1.0 | Approved | Dec 07 | http://www.tta.or.kr/data/ttasDown.jsp?where=14688&pk_num=TTAT.3G-C.S0018-B v1.0 |
| Revision C | | | | | |
| TIA | TIA/EIA/IS-718-C | 1.0 | Published | Apr 08 | http://www.tiaonline.org/standards/technology/cdma2000/disclaimer.cfm |
| TTA | TTAT.3G-C.S0018-C v1.0 | 1.0 | Approved | Oct 10 | http://www.tta.or.kr/data/ttasDown.jsp?where=14688&pk_num=TTAT.3G-C.S0018-C v1.0 |

Revision D

| | | | | | |
|-----|------------------------|-----|-----------|--------|---|
| TIA | TIA/EIA/IS-718-D | 1.0 | Published | May 11 | http://www.tiaonline.org/standards/technology/cdma2000/disclaimer.cfm |
| TTA | TTAT.3G-C.S0018-D v1.0 | 1.0 | Approved | Oct 10 | http://www.tta.or.kr/data/ttasDown.jsp?where=14688&pk_num=TTAT.3G-C.S0018-D v1.0 |

Revision E

| | | | | | |
|-----|----------------|-----|-----------|--------|---|
| TIA | TIA-718-E-1[E] | 2.0 | Published | Dec 13 | http://www.tiaonline.org/standards/technology/cdma2000/disclaimer.cfm |
|-----|----------------|-----|-----------|--------|---|

5.2.2.2.1.8 C.S0020**High Rate Speech Service Option 17 for Wideband Spread Spectrum Communication Systems – Addendum 2**

This specification defines the high rate variable rate speech codec which has a full rate of 13 kbit/s.

| SDO (2) | Document No. | Version | Status | Issued date | Location (1) |
|-------------------|--------------------------|---------|-----------|-------------|---|
| Revision 0 | | | | | |
| TIA | TIA/EIA/IS-733-2 | 2.0 | Published | Sep 01 | http://www.tiaonline.org/standards/technology/cdma2000/disclaimer.cfm |
| TTA | TTAT.3G-C.S0020-0-2 V1.0 | 1.0 | Approved | May 03 | http://www.tta.or.kr/data/ttasDown.jsp?where=14688&pk_num=TTAT.3G-C.S0020-0-2 V1.0 |
| Revision A | | | | | |
| TIA | TIA-733-A | 1.0 | Published | May 04 | http://www.tiaonline.org/standards/technology/cdma2000/disclaimer.cfm |
| TTA | TTAT.3G-C.S0020-A v1.0 | 1.0 | Approved | May 05 | http://www.tta.or.kr/data/ttasDown.jsp?where=14688&pk_num=TTAT.3G-C.S0020-A v1.0 |

5.2.2.2.1.9 C.S0021**Recommended Minimum Performance Standard for the High Rate Speech Option 17 for Wideband Spread Spectrum Communication Systems**

This specification provides definitions, methods of measurement, and minimum performance requirements for the 13 kbit/s variable-rate speech codec, C.S0020 (see § 5.2.2.2.1.19).

| SDO (2) | Document No. | Version | Status | Issued date | Location (1) |
|-------------------|-----------------|---------|-----------|-------------|---|
| Revision 0 | | | | | |
| TIA | TIA/EIA-736-A | 1.0 | Published | Aug 00 | http://www.tiaonline.org/standards/technology/cdma2000/disclaimer.cfm |
| TTA | TTAE.3G-C.S0021 | 1.0 | Approved | Jul 00 | http://www.tta.or.kr/data/ttasDown.jsp?where=14688&pk_num=TTAE.3G-C.S0021 |

5.2.2.2.1.10 C.S0022**Position Determination Service Standard for Dual Mode Spread Spectrum Systems**

This specification defines the position location feature which provides the capability to locate the mobile station. This specification supports automatic forward link triangulation and GPS position location mechanisms.

| SDO (2) | Document No. | Version | Status | Issued date | Location (1) |
|-------------------|------------------------|---------|-----------|-------------|---|
| Revision 0 | | | | | |
| TIA | TIA/EIA/IS-801-1 | 3.0 | Published | Mar 01 | http://www.tiaonline.org/standards/technology/cdma2000/disclaimer.cfm |
| TTA | TTAT.3G-C.S0022-0 v3.0 | 3.0 | Approved | May 04 | http://www.tta.or.kr/data/ttasDown.jsp?where=14688&pk_num=TTAT.3G-C.S0022-0 v3.0 |
| Revision A | | | | | |
| TIA | TIA-801-A | 1.0 | Published | Apr 04 | http://www.tiaonline.org/standards/technology/cdma2000/disclaimer.cfm |
| TTA | TTAT.3G-C.S0022-A v1.0 | 1.0 | Approved | May 05 | http://www.tta.or.kr/data/ttasDown.jsp?where=14688&pk_num=TTAT.3G-C.S0022-A v1.0 |

Revision B

| | | | | | |
|-----|------------------------|-----|-----------|--------|---|
| TIA | TIA-801-B-1[E] | 2.0 | Published | May 12 | http://www.tiaonline.org/standards/technology/cdma2000/disclaimer.cfm |
| TTA | TTAT.3G-C.S0022-B v1.0 | 1.0 | Approved | Jul 09 | http://www.tta.or.kr/data/ttasDown.jsp?where=14688&pk_num=TTAT.3G-C.S0022-B v1.0 |

5.2.2.2.1.11 C.S0023**Removable User Identity Module (R-UIM) for cdma2000 Spread Spectrum Systems**

This specification provides requirements for removable user identity modules (R-UIM).

| SDO (2) | Document No. | Version | Status | Issued date | Location (1) |
|-------------------|------------------------|---------|-----------|-------------|---|
| Revision 0 | | | | | |
| TIA | TIA/EIA/IS-820-1 | 4.0 | Published | Jun 01 | http://www.tiaonline.org/standards/technology/cdma2000/disclaimer.cfm |
| TIA | TIA/EIA/IS-820 | 2.0 | Published | May 00 | http://www.tiaonline.org/standards/technology/cdma2000/disclaimer.cfm |
| Revision A | | | | | |
| TIA | TIA-820-A-2 | 3.0 | Published | Feb 05 | http://www.tiaonline.org/standards/technology/cdma2000/disclaimer.cfm |
| TTA | TTAT.3G-C.S0023-A v3.0 | 3.0 | Approved | May 05 | http://www.tta.or.kr/data/ttasDown.jsp?where=14688&pk_num=TTAT.3G-C.S0023-A v3.0 |
| Revision B | | | | | |
| TIA | TIA-820-B | 1.0 | Published | May 04 | http://www.tiaonline.org/standards/technology/cdma2000/disclaimer.cfm |
| TTA | TTAT.3G-C.S0023-B v1.0 | 1.0 | Approved | May 05 | http://www.tta.or.kr/data/ttasDown.jsp?where=14688&pk_num=TTAT.3G-C.S0023-B v1.0 |
| Revision C | | | | | |
| TIA | TIA-820-C-1[E] | 2.0 | Published | Nov 11 | http://www.tiaonline.org/standards/technology/cdma2000/disclaimer.cfm |
| TTA | TTAT.3G-C.S0023-C v2.0 | 2.0 | Approved | Jul 09 | http://www.tta.or.kr/data/ttasDown.jsp?where=14688&pk_num=TTAT.3G-C.S0023-C v2.0 |
| Revision D | | | | | |
| TIA | TIA-820-D-2[E] | 3.0 | Published | Jan 14 | http://www.tiaonline.org/standards/technology/cdma2000/disclaimer.cfm |
| TTA | TTAT.3G-C.S0023-D v1.0 | 1.0 | Approved | Oct 10 | http://www.tta.or.kr/data/ttasDown.jsp?where=14688&pk_num=TTAT.3G-C.S0023-D v1.0 |
| TTA | TTAT.3G-C.S0023-D v3.0 | 3.0 | Published | | http://www.tta.or.kr/data/ttasDown.jsp?where=14688&pk_num=TTAT.3G-C.S0023-D v3.0 |

5.2.2.2.1.12 C.S0025**Markov Service Option (MSO) for cdma2000 Spread Spectrum Systems**

This document specifies procedures for the Markov Service Option (MSO).

| SDO (2) | Document No. | Version | Status | Issued date | Location (1) |
|-------------------|------------------------|---------|-----------|-------------|---|
| Release A | | | | | |
| TTA | TTAT.3G-C.S0025-A v1.0 | 1.0 | Approved | Aug 12 | http://www.tta.or.kr/data/ttasDown.jsp?where=14688&pk_num=TTAT.3G-C.S0025-A v1.0 |
| Revision 0 | | | | | |
| TIA | TIA-871-1 | 2.0 | Published | Oct 09 | http://www.tiaonline.org/standards/technology/cdma2000/disclaimer.cfm |
| TTA | TTAT.3G-C.S0025-0 v2.0 | 2.0 | Approved | Dec 07 | http://www.tta.or.kr/data/ttasDown.jsp?where=14688&pk_num=TTAT.3G-C.S0025-0 v2.0 |
| Revision A | | | | | |
| TIA | TIA-871-A | 1.0 | Published | Sep 12 | http://www.tiaonline.org/standards/technology/cdma2000/disclaimer.cfm |

5.2.2.2.1.13 C.S0026

Test Data Service Option (TDSO) for cdma2000 Spread Spectrum Systems

This document specifies procedures for the Test Data Service Option (TDSO).

| SDO (2) | Document No. | Version | Status | Issued date | Location (1) |
|-------------------|------------------------|---------|-----------|-------------|---|
| Revision 0 | | | | | |
| TIA | TIA-870-1[E] | 2.0 | Published | Jan 04 | http://www.tiaonline.org/standards/technology/cdma2000/disclaimer.cfm |
| TTA | TTAT.3G-C.S0026-0 v2.0 | 2.0 | Approved | Mar 03 | http://www.tta.or.kr/data/ttasDown.jsp?where=14688&pk_num=TTAT.3G-C.S0026-0 v2.0 |
| Revision A | | | | | |
| TIA | TIA-870-A | 1.0 | Published | Mar 05 | http://www.tiaonline.org/standards/technology/cdma2000/disclaimer.cfm |
| TTA | TTAT.3G-C.S0026-A v1.0 | 1.0 | Approved | May 05 | http://www.tta.or.kr/data/ttasDown.jsp?where=14688&pk_num=TTAT.3G-C.S0026-A v1.0 |

5.2.2.2.1.14 C.S0028

CDMA TTY/TDD Minimum Performance Specification

This specification defines the CDMA TTY/TDD Minimum Performance Specification.

| SDO (2) | Document No. | Version | Status | Issued date | Location (1) |
|-------------------|------------------------|---------|-----------|-------------|---|
| Release B | | | | | |
| TTA | TTAT.3G-C.S0028-B v1.0 | 1.0 | Approved | Aug 12 | http://www.tta.or.kr/data/ttasDown.jsp?where=14688&pk_num=TTAT.3G-C.S0028-B v1.0 |
| Revision 0 | | | | | |
| TIA | TIA/IS-889 | 2.0 | Published | Sep 02 | http://www.tiaonline.org/standards/technology/cdma2000/disclaimer.cfm |
| TTA | TTAT.3G-C.S0028-0 v2.0 | 2.0 | Approved | Mar 03 | http://www.tta.or.kr/data/ttasDown.jsp?where=14688&pk_num=TTAT.3G-C.S0028-0 v2.0 |
| Revision A | | | | | |
| TIA | TIA-889-A | 1.0 | Published | Dec 03 | http://www.tiaonline.org/standards/technology/cdma2000/disclaimer.cfm |
| TTA | TTAT.3G-C.S0028-A v1.0 | 1.0 | Approved | May 05 | http://www.tta.or.kr/data/ttasDown.jsp?where=14688&pk_num=TTAT.3G-C.S0028-A v1.0 |
| Revision B | | | | | |
| TIA | TIA-889-B | 1.0 | Published | Mar 12 | http://www.tiaonline.org/standards/technology/cdma2000/disclaimer.cfm |

5.2.2.2.1.15 C.S0030

Selectable Mode Vocoder Service Option for Wideband Spread Spectrum Communication Systems

This specification defines the Selectable Mode Vocoder Service Option for Wideband Spread Spectrum Communication Systems.

| SDO (2) | Document No. | Version | Status | Issued date | Location (1) |
|-------------------|------------------------|---------|-----------|-------------|---|
| Revision 0 | | | | | |
| TIA | TIA-893-1[E] | 3.0 | Published | Jul 05 | http://www.tiaonline.org/standards/technology/cdma2000/disclaimer.cfm |
| TTA | TTAT.3G-C.S0030-0 v3.0 | 3.0 | Approved | May 04 | http://www.tta.or.kr/data/ttasDown.jsp?where=14688&pk_num=TTAT.3G-C.S0030-0 v3.0 |

5.2.2.2.1.16 C.S0034

Minimum Performance Specification for the Selectable Mode Vocoder (SMV), Speech Service Option 56 for Wideband Spread Spectrum Digital Systems

This standard details definitions, methods of measurement, verification of bit-exactness, and minimum performance characteristics of C.S0030-0 Selectable Mode Vocoder (SMV) for digital cellular wideband spread spectrum mobile stations and base stations.

| SDO (2) | Document No. | Version | Status | Issued date | Location (1) |
|-------------------|------------------------|---------|-----------|-------------|---|
| Revision 0 | | | | | |
| TIA | TIA-894 | 1.0 | Published | Aug 05 | http://www.tiaonline.org/standards/technology/cdma2000/disclaimer.cfm |
| TTA | TTAT.3G-C.S0034-0 v1.0 | 1.0 | Approved | May 05 | http://www.tta.or.kr/data/ttasDown.jsp?where=14688&pk_num=TTAT.3G-C.S0034-0 v1.0 |

5.2.2.2.1.17 C.S0035

CDMA Card Application Toolkit (CCAT)

This document contains the requirements for CDMA Card Application Toolkit (CCAT). CCAT is a set of commands and procedures for use during the network operation phase of CDMA. Specifying the interface is to ensure interoperability between an R-UIM and an ME independently of the respective manufacturers and operators. CCAT will allow Service Providers to offer unique services to their subscribers by placing applications they have designed (or third party applications) on the R-UIM that would function on any particular manufacturer's ME that supports the Toolkit features.

| SDO (2) | Document No. | Version | Status | Issued date | Location (1) |
|-------------------|------------------------|---------|-----------|-------------|---|
| Revision 0 | | | | | |
| TIA | TIA-915 | 1.0 | Published | Feb 03 | http://www.tiaonline.org/standards/technology/cdma2000/disclaimer.cfm |
| TTA | TTAT.3G-C.S0035-0 v1.0 | 1.0 | Approved | May 04 | http://www.tta.or.kr/data/ttasDown.jsp?where=14688&pk_num=TTAT.3G-C.S0035-0 v1.0 |
| Revision A | | | | | |
| TIA | TIA-915-A-2 | 3.0 | Published | Sep 12 | http://www.tiaonline.org/standards/technology/cdma2000/disclaimer.cfm |
| TTA | TTAT.3G-C.S0035-A v2.0 | 2.0 | Approved | Dec 07 | http://www.tta.or.kr/data/ttasDown.jsp?where=14688&pk_num=TTAT.3G-C.S0035-A v2.0 |
| Revision B | | | | | |
| TIA | TIA-915-B-1[E] | 2.0 | Published | May 14 | http://www.tiaonline.org/standards/technology/cdma2000/disclaimer.cfm |
| TTA | TTAT.3G-C.S0035-B v1.0 | 1.0 | Published | | http://www.tta.or.kr/data/ttasDown.jsp?where=14688&pk_num=TTAT.3G-C.S0035-B v1.0 |

5.2.2.2.1.18 C.S0036

Recommended Minimum Performance Specification for C.S0022-0 Spread Spectrum Mobile Stations

This document details definitions, methods of measurement, and minimum performance characteristics for Position Location Capable Code Division Multiple Access (CDMA) mobile stations.

| SDO (2) | Document No. | Version | Status | Issued date | Location (1) |
|-------------------|------------------------|---------|-----------|-------------|---|
| Release A | | | | | |
| TTA | TTAT.3G-C.S0036-A v1.0 | 1.0 | Approved | Aug 12 | http://www.tta.or.kr/data/ttasDown.jsp?where=14688&pk_num=TTAT.3G-C.S0036-A v1.0 |
| TTA | TTAT.3G-C.S0036-A v1.0 | 1.0 | Approved | Aug 12 | http://www.tta.or.kr/data/ttasDown.jsp?where=14688&pk_num=TTAT.3G-C.S0036-A v1.0 |
| Revision 0 | | | | | |
| TIA | TIA-916-1 | 2.0 | Published | Feb 11 | http://www.tiaonline.org/standards/technology/cdma2000/disclaimer.cfm |
| TTA | TTAT.3G-C.S0036-0 v1.0 | 1.0 | Approved | Mar 03 | http://www.tta.or.kr/data/ttasDown.jsp?where=14688&pk_num=TTAT.3G-C.S0036-0 v1.0 |
| Revision A | | | | | |

TIA TIA-916-A 1.0 Published Feb 12 <http://www.tiaonline.org/standards/technology/cdma2000/disclaimer.cfm>

5.2.2.2.1.19 C.S0037

Signalling Conformance Specification for cdma2000 Wireless IP Networks

This document is designed to facilitate the interoperability testing between mobile stations and infrastructure, as well as provide network specific test cases. Definitions, recommended methods of measurement, and minimum standards are provided.

| SDO (2) | Document No. | Version | Status | Issued date | Location (1) |
|-------------------|------------------------|---------|-----------|-------------|---|
| Revision 0 | | | | | |
| TIA | TIA-918 | 1.0 | Published | May 02 | http://www.tiaonline.org/standards/technology/cdma2000/disclaimer.cfm |
| TTA | TTAT.3G-C.S0037-0 v1.0 | 1.0 | Approved | Mar 03 | http://www.tta.or.kr/data/ttasDown.jsp?where=14688&pk_num=TTAT.3G-C.S0037-0 v1.0 |

5.2.2.2.1.20 C.S0039

Enhanced Subscriber Privacy for cdma2000 High Rate Packet Data

Enhanced Subscriber Privacy for HRPD is provided by the use of Advance Encryption Algorithm (AES) by encrypting the air interface to protect subscriber traffic and certain signalling messages from unauthorized disclosure.

| SDO (2) | Document No. | Version | Status | Issued date | Location (1) |
|-------------------|------------------------|---------|-----------|-------------|---|
| Revision 0 | | | | | |
| TIA | TIA-925-1[E] | 2.0 | Published | Sep 07 | http://www.tiaonline.org/standards/technology/cdma2000/disclaimer.cfm |
| TTA | TTAT.3G-C.S0039-0 v2.0 | 2.0 | Approved | Dec 07 | http://www.tta.or.kr/data/ttasDown.jsp?where=14688&pk_num=TTAT.3G-C.S0039-0 v2.0 |

5.2.2.2.1.21 C.S0040

IP-Based Over-the-Air Handset Configuration Management (IOTA-HCM)

These technical requirements form a standard for Over-the-Air Service Provisioning of mobile stations using Internet Protocol (IP).

| SDO (2) | Document No. | Version | Status | Issued date | Location (1) |
|-------------------|------------------------|---------|-----------|-------------|---|
| Revision 0 | | | | | |
| TIA | TIA-1011-1 | 2.0 | Published | Jan 07 | http://www.tiaonline.org/standards/technology/cdma2000/disclaimer.cfm |
| TTA | TTAT.3G-C.S0040-0 v1.0 | 1.0 | Approved | May 04 | http://www.tta.or.kr/data/ttasDown.jsp?where=14688&pk_num=TTAT.3G-C.S0040-0 v1.0 |
| Revision A | | | | | |
| TIA | TIA-1011-A | 1.0 | Published | Sep 09 | http://www.tiaonline.org/standards/technology/cdma2000/disclaimer.cfm |

5.2.2.2.1.22 C.S0045

Multimedia Messaging Service (MMS) Media Format and Codecs for cdma2000 Spread Spectrum Systems

This document defines content types, media formats and codecs for the non-real time Multimedia Messaging Service (MMS).

| SDO (2) | Document No. | Version | Status | Issued date | Location (1) |
|---------|--------------|---------|--------|-------------|--------------|
|---------|--------------|---------|--------|-------------|--------------|

Revision 0

| | | | | | |
|-----|------------------------|-----|-----------|--------|---|
| TIA | TIA-1012 | 1.0 | Published | Jan 09 | http://www.tiaonline.org/standards/technology/cdma2000/disclaimer.cfm |
| TTA | TTAT.3G-C.S0045-0 v2.0 | 2.0 | Approved | Dec 07 | http://www.tta.or.kr/data/ttasDown.jsp?where=14688&pk_num=TTAT.3G-C.S0045-0 v2.0 |

Revision A

| | | | | | |
|-----|------------------------|-----|----------|--------|---|
| TTA | TTAT.3G-C.S0045-A v1.0 | 1.0 | Approved | Dec 07 | http://www.tta.or.kr/data/ttasDown.jsp?where=14688&pk_num=TTAT.3G-C.S0045-A v1.0 |
|-----|------------------------|-----|----------|--------|---|

5.2.2.2.1.23 C.S0046**3G Multimedia Streaming Services**

This document defines content types, media formats, codecs, and delivery support for multimedia streaming service (MSS).

| SDO (2) | Document No. | Version | Status | Issued date | Location (1) |
|---------|--------------|---------|--------|-------------|--------------|
|---------|--------------|---------|--------|-------------|--------------|

Revision 0

| | | | | | |
|-----|------------------------|-----|-----------|--------|---|
| TIA | TIA-923 | 1.0 | Published | May 03 | http://www.tiaonline.org/standards/technology/cdma2000/disclaimer.cfm |
| TTA | TTAT.3G-C.S0046-0 v1.0 | 1.0 | Approved | Dec 07 | http://www.tta.or.kr/data/ttasDown.jsp?where=14688&pk_num=TTAT.3G-C.S0046-0 v1.0 |

5.2.2.2.1.24 C.S0047**Link-Layer Assisted Service Options for Voice-Over-IP: Header Removal (SO60) and Robust Header Compression (SO61)**

These technical requirements form a standard for the Link-Layer Assisted (LLA) Service Options. Service Option 60 (SO60) defines a variable rate Voice-over-IP (VoIP) service option for transport of header-removed IP/UDP/RTP packets carrying speech frames. Service Option 61 (SO61) defines a variable rate Voice-over-IP (VoIP) service option for transport of header-compressed IP/UDP/RTP packets carrying speech frames.

| SDO (2) | Document No. | Version | Status | Issued date | Location (1) |
|---------|--------------|---------|--------|-------------|--------------|
|---------|--------------|---------|--------|-------------|--------------|

Revision 0

| | | | | | |
|-----|------------------------|-----|-----------|--------|---|
| TIA | TIA-1013 | 1.0 | Published | Dec 03 | http://www.tiaonline.org/standards/technology/cdma2000/disclaimer.cfm |
| TTA | TTAT.3G-C.S0047-0 v1.0 | 1.0 | Approved | May 04 | http://www.tta.or.kr/data/ttasDown.jsp?where=14688&pk_num=TTAT.3G-C.S0047-0 v1.0 |

Revision A

| | | | | | |
|-----|-----------------|-----|-----------|--------|---|
| TIA | TIA-1013-A-1[E] | 2.0 | Published | Mar 13 | http://www.tiaonline.org/standards/technology/cdma2000/disclaimer.cfm |
|-----|-----------------|-----|-----------|--------|---|

Revision B

| | | | | | |
|-----|------------|-----|-----------|--------|---|
| TIA | TIA-1013-B | 1.0 | Published | Feb 14 | http://www.tiaonline.org/standards/technology/cdma2000/disclaimer.cfm |
|-----|------------|-----|-----------|--------|---|

5.2.2.2.1.25 C.S0048**Mobile Equipment (ME) Conformance Testing for cdma2000 Spread Spectrum Standards**

The present document provides the Conformance Test Specification for Removable User Identity Module (R-UIM) enabled Mobile Equipment (ME) terminals.

| SDO (2) | Document No. | Version | Status | Issued date | Location (1) |
|---------|--------------|---------|--------|-------------|--------------|
|---------|--------------|---------|--------|-------------|--------------|

590

ITU-R M.1457-12

Release A

| | | | | | |
|-----|------------------------|-----|----------|--------|---|
| TTA | TTAT.3G-C.S0048-A v1.0 | 1.0 | Approved | Aug 12 | http://www.tta.or.kr/data/ttasDown.jsp?where=14688&pk_num=TTAT.3G-C.S0048-A v1.0 |
|-----|------------------------|-----|----------|--------|---|

Revision 0

| | | | | | |
|-----|------------------------|-----|-----------|--------|---|
| TIA | TIA-1014-1[E] | 2.0 | Published | Nov 06 | http://www.tiaonline.org/standards/technology/cdma2000/disclaimer.cfm |
| TTA | TTAT.3G-C.S0048-0 v1.0 | 1.0 | Approved | May 05 | http://www.tta.or.kr/data/ttasDown.jsp?where=14688&pk_num=TTAT.3G-C.S0048-0 v1.0 |

Revision A

| | | | | | |
|-----|------------------------|-----|-----------|--------|---|
| TIA | TIA-1014-A | 1.0 | Published | May 12 | http://www.tiaonline.org/standards/technology/cdma2000/disclaimer.cfm |
| TTA | TTAT.3G-C.S0048-A v2.0 | 2.0 | Published | | http://www.tta.or.kr/data/ttasDown.jsp?where=14688&pk_num=TTAT.3G-C.S0048-A v2.0 |

Revision B

| | | | | | |
|-----|------------------------|-----|-----------|--|---|
| TTA | TTAT.3G-C.S0048-B v1.0 | 1.0 | Published | | http://www.tta.or.kr/data/ttasDown.jsp?where=14688&pk_num=TTAT.3G-C.S0048-B v1.0 |
|-----|------------------------|-----|-----------|--|---|

5.2.2.2.1.26 C.S0049

Removable User Identity Module Conformance Testing for Spread Spectrum Systems

The present document provides the test cases for the Removable User Identity Module (R-UIM) Conformance Test Specification.

| SDO (2) | Document No. | Version | Status | Issued date | Location (1) |
|-------------------|------------------------|---------|-----------|-------------|---|
| Release A | | | | | |
| TTA | TTAT.3G-C.S0049-A v1.0 | 1.0 | Approved | Aug 12 | http://www.tta.or.kr/data/ttasDown.jsp?where=14688&pk_num=TTAT.3G-C.S0049-A v1.0 |
| Revision 0 | | | | | |
| TIA | TIA-1015 | 1.0 | Published | Dec 03 | http://www.tiaonline.org/standards/technology/cdma2000/disclaimer.cfm |
| TTA | TTAT.3G-C.S0049-0 v2.0 | 2.0 | Approved | Dec 07 | http://www.tta.or.kr/data/ttasDown.jsp?where=14688&pk_num=TTAT.3G-C.S0049-0 v2.0 |
| Revision A | | | | | |
| TIA | TIA-1015-A | 1.0 | Published | Sep 11 | http://www.tiaonline.org/standards/technology/cdma2000/disclaimer.cfm |

5.2.2.2.1.27 C.S0050

3GPP2 File Formats for Multimedia Services

The purpose of this standard is to define a set of file formats to be used with 3GPP2 multimedia services.

| SDO (2) | Document No. | Version | Status | Issued date | Location (1) |
|-------------------|------------------------|---------|-----------|-------------|---|
| Revision 0 | | | | | |
| TIA | TIA-1016 | 1.0 | Published | Oct 04 | http://www.tiaonline.org/standards/technology/cdma2000/disclaimer.cfm |
| TTA | TTAT.3G-C.S0050-0 v1.0 | 1.0 | Approved | May 05 | http://www.tta.or.kr/data/ttasDown.jsp?where=14688&pk_num=TTAT.3G-C.S0050-0 v1.0 |
| Revision A | | | | | |
| TIA | TIA-1016-A | 1.0 | Published | Jan 06 | http://www.tiaonline.org/standards/technology/cdma2000/disclaimer.cfm |
| TTA | TTAT.3G-C.S0050-A v1.0 | 1.0 | Approved | Dec 07 | http://www.tta.or.kr/data/ttasDown.jsp?where=14688&pk_num=TTAT.3G-C.S0050-A v1.0 |
| Revision B | | | | | |
| TTA | TTAT.3G-C.S0050-B v1.0 | 1.0 | Approved | Dec 07 | http://www.tta.or.kr/data/ttasDown.jsp?where=14688&pk_num=TTAT.3G-C.S0050-B v1.0 |

5.2.2.2.1.28 C.S0052

Source-Controlled Variable-Rate Multimode Wideband Speech Codec (VMR-WB) Service Option 62 for Spread Spectrum

These technical requirements form a standard for Service Option 62, source-controlled variable-rate multimode two-way wideband speech Service Option (VMR_WB).

| SDO (2) | Document No. | Version | Status | Issued date | Location (1) |
|-------------------|------------------------|---------|-----------|-------------|---|
| Revision 0 | | | | | |
| TIA | TIA-1017 | 1.0 | Published | Oct 05 | http://www.tiaonline.org/standards/technology/cdma2000/disclaimer.cfm |
| TTA | TTAT.3G-C.S0052-0 v1.0 | 1.0 | Approved | May 05 | http://www.tta.or.kr/data/ttasDown.jsp?where=14688&pk_num=TTAT.3G-C.S0052-0 v1.0 |
| Revision A | | | | | |
| TIA | TIA-1017-A | 1.0 | Published | Oct 05 | http://www.tiaonline.org/standards/technology/cdma2000/disclaimer.cfm |
| TTA | TTAT.3G-C.S0052-A v1.0 | 1.0 | Approved | Apr 06 | http://www.tta.or.kr/data/ttasDown.jsp?where=14688&pk_num=TTAT.3G-C.S0052-A v1.0 |

5.2.2.2.1.29 C.S0053

Minimum Performance Specification for the Source-Controlled Variable-Rate Multimode Wideband Speech Codec (VMR-WB), Service Option 62 for Spread Spectrum Systems

This specification details definitions, methods of measurement, verification of bit-exactness, and minimum performance characteristics of C.S0052_0 cdma2000® wideband speech codec (VMR_WB) Service Option 62 for digital cellular wideband spread spectrum mobile stations and base stations.

| SDO (2) | Document No. | Version | Status | Issued date | Location (1) |
|-------------------|------------------------|---------|-----------|-------------|---|
| Revision 0 | | | | | |
| TIA | TIA-924 | 1.0 | Published | Jan 09 | http://www.tiaonline.org/standards/technology/cdma2000/disclaimer.cfm |
| TTA | TTAT.3G-C.S0053-0 v1.0 | 1.0 | Approved | Apr 06 | http://www.tta.or.kr/data/ttasDown.jsp?where=14688&pk_num=TTAT.3G-C.S0053-0 v1.0 |
| Revision A | | | | | |
| TIA | TIA-924-A | 1.0 | Published | Feb 09 | http://www.tiaonline.org/standards/technology/cdma2000/disclaimer.cfm |
| TTA | TTAT.3G-C.S0053-A v1.0 | 1.0 | Approved | Apr 06 | http://www.tta.or.kr/data/ttasDown.jsp?where=14688&pk_num=TTAT.3G-C.S0053-A v1.0 |

5.2.2.2.1.30 C.S0055**Packet Switched Video Telephony Services (PSVT/MCS)**

This document specifies the end-to-end protocols and procedures for support of Packet Switched Video Telephony (PSVT) Services over cdma2000 networks.

| SDO (2) | Document No. | Version | Status | Issued date | Location (1) |
|-------------------|------------------------|---------|-----------|-------------|---|
| Revision 0 | | | | | |
| TIA | TIA-1042 | 1.0 | Published | Nov 05 | http://www.tiaonline.org/standards/technology/cdma2000/disclaimer.cfm |
| TTA | TTAT.3G-C.S0055-0 v1.0 | 1.0 | Approved | Dec 07 | http://www.tta.or.kr/data/ttasDown.jsp?where=14688&pk_num=TTAT.3G-C.S0055-0 v1.0 |
| Revision A | | | | | |
| TIA | TIA-1042-A | 1.0 | Published | Mar 13 | http://www.tiaonline.org/standards/technology/cdma2000/disclaimer.cfm |
| TTA | TTAT.3G-C.S0055-A v1.0 | 1.0 | Approved | Oct 10 | http://www.tta.or.kr/data/ttasDown.jsp?where=14688&pk_num=TTAT.3G-C.S0055-A v1.0 |

5.2.2.2.1.31 C.S0056**Electro-Acoustic Recommended Minimum Performance Specification for cdma2000 Mobile Stations**

This specification details definitions, methods of measurement, and minimum electro-acoustic performance characteristics for CDMA mobile stations.

| SDO (2) | Document No. | Version | Status | Issued date | Location (1) |
|-------------------|------------------------|---------|-----------|-------------|---|
| Revision 0 | | | | | |
| TIA | TIA-1030 | 1.0 | Published | Mar 04 | http://www.tiaonline.org/standards/technology/cdma2000/disclaimer.cfm |
| TTA | TTAT.3G-C.S0056-0 v1.0 | 1.0 | Approved | Dec 07 | http://www.tta.or.kr/data/ttasDown.jsp?where=14688&pk_num=TTAT.3G-C.S0056-0 v1.0 |
| Revision A | | | | | |
| TIA | TIA-1030-A | 1.0 | Published | Aug 06 | http://www.tiaonline.org/standards/technology/cdma2000/disclaimer.cfm |
| TTA | TTAT.3G-C.S0056-A v1.0 | 1.0 | Published | | http://www.tta.or.kr/data/ttasDown.jsp?where=14688&pk_num=TTAT.3G-C.S0056-A v1.0 |
| Revision B | | | | | |
| TIA | TIA-1030-B | 1.0 | Published | Dec 06 | http://www.tiaonline.org/standards/technology/cdma2000/disclaimer.cfm |
| Revision C | | | | | |
| TIA | TIA-1030-C | 1.0 | Published | Mar 09 | http://www.tiaonline.org/standards/technology/cdma2000/disclaimer.cfm |
| Revision D | | | | | |
| TIA | TIA-1030-D | 1.0 | Published | Jul 11 | http://www.tiaonline.org/standards/technology/cdma2000/disclaimer.cfm |
| Revision E | | | | | |
| TIA | TIA-1030-E | 1.0 | Published | Nov 11 | http://www.tiaonline.org/standards/technology/cdma2000/disclaimer.cfm |

5.2.2.2.1.32 C.S0057**Band Class Specification for cdma2000 Spread Spectrum Systems**

This volume defines the band classes of the CDMA Spreading Rate 1 and Spreading Rate 3 multicarrier air interface standard.

| SDO (2) | Document No. | Version | Status | Issued date | Location (1) |
|------------------|------------------------|---------|----------|-------------|---|
| Release E | | | | | |
| TTA | TTAT.3G-C.S0057-E v1.0 | 1.0 | Approved | Aug 12 | http://www.tta.or.kr/data/ttasDown.jsp?where=14688&pk_num=TTAT.3G-C.S0057-E v1.0 |

Revision 0

| | | | | | |
|-----|------------------------|-----|-----------|--------|---|
| TIA | TIA-1043 | 1.0 | Published | Jan 09 | http://www.tiaonline.org/standards/technology/cdma2000/disclaimer.cfm |
| TTA | TTAT.3G-C.S0057-0 v1.0 | 1.0 | Approved | May 05 | http://www.tta.or.kr/data/ttasDown.jsp?where=14688&pk_num=TTAT.3G-C.S0057-0 v1.0 |

Revision A

| | | | | | |
|-----|------------------------|-----|-----------|--------|---|
| TIA | TIA-1043-A | 1.0 | Published | Mar 09 | http://www.tiaonline.org/standards/technology/cdma2000/disclaimer.cfm |
| TTA | TTAT.3G-C.S0057-A v1.0 | 1.0 | Approved | Apr 06 | http://www.tta.or.kr/data/ttasDown.jsp?where=14688&pk_num=TTAT.3G-C.S0057-A v1.0 |

Revision B

| | | | | | |
|-----|------------------------|-----|-----------|--------|---|
| TIA | TIA-1043-B | 1.0 | Published | Jul 11 | http://www.tiaonline.org/standards/technology/cdma2000/disclaimer.cfm |
| TTA | TTAT.3G-C.S0057-B v1.0 | 1.0 | Approved | Dec 07 | http://www.tta.or.kr/data/ttasDown.jsp?where=14688&pk_num=TTAT.3G-C.S0057-B v1.0 |

Revision C

| | | | | | |
|-----|------------------------|-----|----------|--------|---|
| TTA | TTAT.3G-C.S0057-C v1.0 | 1.0 | Approved | Jul 09 | http://www.tta.or.kr/data/ttasDown.jsp?where=14688&pk_num=TTAT.3G-C.S0057-C v1.0 |
|-----|------------------------|-----|----------|--------|---|

Revision D

| | | | | | |
|-----|------------------------|-----|----------|--------|---|
| TTA | TTAT.3G-C.S0057-D v1.0 | 1.0 | Approved | Oct 10 | http://www.tta.or.kr/data/ttasDown.jsp?where=14688&pk_num=TTAT.3G-C.S0057-D v1.0 |
|-----|------------------------|-----|----------|--------|---|

5.2.2.2.1.33 C.S0058**Over the Air Interoperability Specification for cdma2000 Air Interface**

This specification defines air interface interoperability tests for CDMA mobile stations or access terminals.

| SDO (2) | Document No. | Version | Status | Issued date | Location (1) |
|-------------------|------------------------|---------|----------|-------------|---|
| Revision 0 | | | | | |
| TTA | TTAT.3G-C.S0058-0 v1.0 | 1.0 | Approved | Dec 07 | http://www.tta.or.kr/data/ttasDown.jsp?where=14688&pk_num=TTAT.3G-C.S0058-0 v1.0 |
| Revision A | | | | | |
| TTA | TTAT.3G-C.S0058-A v1.0 | 1.0 | Approved | Oct 08 | http://www.tta.or.kr/data/ttasDown.jsp?where=14688&pk_num=TTAT.3G-C.S0058-A v1.0 |
| Revision B | | | | | |
| TTA | TTAT.3G-C.S0058-B v1.0 | 1.0 | Approved | Oct 10 | http://www.tta.or.kr/data/ttasDown.jsp?where=14688&pk_num=TTAT.3G-C.S0058-B v1.0 |

5.2.2.2.1.34 C.S0059**Signaling Conformance Test Specification for cdma2000 Position Determination Services**

This specification defines Position Determination Services signaling conformance tests for CDMA mobile stations.

| SDO (2) | Document No. | Version | Status | Issued date | Location (1) |
|-------------------|------------------------|---------|-----------|-------------|---|
| Revision 0 | | | | | |
| TIA | TIA-1044 | 1.0 | Published | Feb 07 | http://www.tiaonline.org/standards/technology/cdma2000/disclaimer.cfm |
| TTA | TTAT.3G-C.S0059-0 v1.0 | 1.0 | Approved | Jul 09 | http://www.tta.or.kr/data/ttasDown.jsp?where=14688&pk_num=TTAT.3G-C.S0059-0 v1.0 |

5.2.2.2.1.35 C.S0060**Signalling Conformance Test Specification for Over-the-Air Service Provisioning**

This specification defines mobile station and base station compliance tests for over-the-air messaging and protocol requirements in the cdma2000 family of

standards.

| SDO (2) | Document No. | Version | Status | Issued date | Location (1) |
|-------------------|------------------------|---------|-----------|-------------|---|
| Revision 0 | | | | | |
| TIA | TIA-1045 | 1.0 | Published | Sep 05 | http://www.tiaonline.org/standards/technology/cdma2000/disclaimer.cfm |
| TTA | TTAT.3G-C.S0060-0 v1.0 | 1.0 | Approved | Dec 07 | http://www.tta.or.kr/data/ttasDown.jsp?where=14688&pk_num=TTAT.3G-C.S0060-0 v1.0 |

5.2.2.2.1.36 C.S0061

Signalling Conformance Test Specification for Short Message Service

This specification defines SMS signalling conformance tests for CDMA base stations and mobile stations.

| SDO (2) | Document No. | Version | Status | Issued date | Location (1) |
|-------------------|------------------------|---------|-----------|-------------|---|
| Revision 0 | | | | | |
| TIA | TIA-1059-1[E] | 2.0 | Published | Mar 11 | http://www.tiaonline.org/standards/technology/cdma2000/disclaimer.cfm |
| TTA | TTAT.3G-C.S0061-0 v1.0 | 1.0 | Approved | Apr 06 | http://www.tta.or.kr/data/ttasDown.jsp?where=14688&pk_num=TTAT.3G-C.S0061-0 v1.0 |

5.2.2.2.1.37 C.S0064

IP Based Over-the-Air Device Management (IOTA-DM) for cdma2000 Systems

This specification describes IP based Over-the-Air device management of mobile stations compliant with cdma2000 standards.

| SDO (2) | Document No. | Version | Status | Issued date | Location (1) |
|-------------------|------------------------|---------|-----------|-------------|---|
| Revision 0 | | | | | |
| TIA | TIA-1080-1[E] | 2.0 | Published | Jan 09 | http://www.tiaonline.org/standards/technology/cdma2000/disclaimer.cfm |
| TTA | TTAT.3G-C.S0064-0 v1.0 | 1.0 | Approved | Dec 07 | http://www.tta.or.kr/data/ttasDown.jsp?where=14688&pk_num=TTAT.3G-C.S0064-0 v1.0 |
| Revision A | | | | | |
| TIA | TIA-1080-A | 1.0 | Published | Sep 09 | http://www.tiaonline.org/standards/technology/cdma2000/disclaimer.cfm |
| Revision B | | | | | |
| TIA | TIA-1080-B-2[E] | 3.0 | Published | Feb 14 | http://www.tiaonline.org/standards/technology/cdma2000/disclaimer.cfm |

5.2.2.2.1.38 C.S0065

cdma2000 Application on UICC for Spread Spectrum Systems

This specification defines the cdma2000 subscriber identity module (CSIM) application.

| SDO (2) | Document No. | Version | Status | Issued date | Location (1) |
|-------------------|------------------------|---------|-----------|-------------|---|
| Revision 0 | | | | | |
| TIA | TIA-158-1 | 2.0 | Published | Nov 11 | http://www.tiaonline.org/standards/technology/cdma2000/disclaimer.cfm |
| TTA | TTAT.3G-C.S0065-0 v2.0 | 2.0 | Approved | Jul 09 | http://www.tta.or.kr/data/ttasDown.jsp?where=14688&pk_num=TTAT.3G-C.S0065-0 v2.0 |
| Revision A | | | | | |
| TTA | TTAT.3G-C.S0065-A v1.0 | 1.0 | Approved | Oct 10 | http://www.tta.or.kr/data/ttasDown.jsp?where=14688&pk_num=TTAT.3G-C.S0065-A v1.0 |

Revision B

| | | | | | |
|-----|------------------------|-----|-----------|--------|---|
| TTA | TTAT.3G-C.S0065-B v1.0 | 1.0 | Approved | Oct 10 | http://www.tta.or.kr/data/ttasDown.jsp?where=14688&pk_num=TTAT.3G-C.S0065-B v1.0 |
| TTA | TTAT.3G-C.S0065-B v3.0 | 3.0 | Published | | http://www.tta.or.kr/data/ttasDown.jsp?where=14688&pk_num=TTAT.3G-C.S0065-B v3.0 |

5.2.2.2.1.39 C.S0066**Over-the-Air Service Provisioning for MEID-Equipped Mobile Stations in Spread Spectrum Systems**

This specification presents recommendations for supporting a mobile station equipped with a Mobile Equipment Identifier (MEID).

| SDO (2) | Document No. | Version | Status | Issued date | Location (1) |
|-------------------|------------------------|---------|-----------|-------------|---|
| Revision 0 | | | | | |
| TIA | TIA-1081 | 1.0 | Published | Mar 09 | http://www.tiaonline.org/standards/technology/cdma2000/disclaimer.cfm |
| TTA | TTAT.3G-C.S0066-0 v2.0 | 2.0 | Approved | Jul 09 | http://www.tta.or.kr/data/ttasDown.jsp?where=14688&pk_num=TTAT.3G-C.S0066-0 v2.0 |
| Revision A | | | | | |
| TIA | TIA-1081-A | 1.0 | Published | Mar 10 | http://www.tiaonline.org/standards/technology/cdma2000/disclaimer.cfm |

5.2.2.2.1.40 C.S0067**Generic Key Exchange Protocol for cdma2000 High Rate Packet Data Air Interface**

This specification defines the generic key exchange protocol for the cdma2000 high rate packet data air interface.

| SDO (2) | Document No. | Version | Status | Issued date | Location (1) |
|-------------------|------------------------|---------|-----------|-------------|---|
| Revision 0 | | | | | |
| TIA | TIA-1009 | 1.0 | Published | Oct 06 | http://www.tiaonline.org/standards/technology/cdma2000/disclaimer.cfm |
| TTA | TTAT.3G-C.S0067-0 v1.0 | 1.0 | Approved | Dec 07 | http://www.tta.or.kr/data/ttasDown.jsp?where=14688&pk_num=TTAT.3G-C.S0067-0 v1.0 |
| Revision A | | | | | |
| TTA | TTAT.3G-C.S0067-A v1.0 | 1.0 | Approved | Jul 09 | http://www.tta.or.kr/data/ttasDown.jsp?where=14688&pk_num=TTAT.3G-C.S0067-A v1.0 |

5.2.2.2.1.41 C.S0068**ME Personalization for cdma2000 Spread Spectrum Systems**

This specification defines the mobile equipment personalization feature.

| SDO (2) | Document No. | Version | Status | Issued date | Location (1) |
|-------------------|------------------------|---------|-----------|-------------|---|
| Revision 0 | | | | | |
| TIA | TIA-1078 | 1.0 | Published | Mar 09 | http://www.tiaonline.org/standards/technology/cdma2000/disclaimer.cfm |
| TTA | TTAT.3G-C.S0068-0 v1.0 | 1.0 | Approved | Dec 07 | http://www.tta.or.kr/data/ttasDown.jsp?where=14688&pk_num=TTAT.3G-C.S0068-0 v1.0 |

5.2.2.2.1.42 C.S0069**ISIM Application on UICC for cdma2000 Spread Spectrum Systems**

This specification defines the IP multimedia services identity module (ISIM) application.

| SDO (2) | Document No. | Version | Status | Issued date | Location (1) |
|-------------------|------------------------|---------|-----------|-------------|---|
| Revision 0 | | | | | |
| TIA | TIA-1082 | 1.0 | Published | Sep 05 | http://www.tiaonline.org/standards/technology/cdma2000/disclaimer.cfm |
| TTA | TTAT.3G-C.S0069-0 v1.0 | 1.0 | Approved | Dec 07 | http://www.tta.or.kr/data/ttasDown.jsp?where=14688&pk_num=TTAT.3G-C.S0069-0 v1.0 |

5.2.2.2.1.43 C.S0072

Mobile Station Equipment Identifier (MEID) Support for cdma2000 Spread Spectrum Systems

This specification defines the air interface requirements for implementing MEID and enhanced private long code mask (PLCM) features in Revision 0 through Revision C mobile stations and base stations.

| SDO (2) | Document No. | Version | Status | Issued date | Location (1) |
|-------------------|------------------------|---------|-----------|-------------|---|
| Revision 0 | | | | | |
| TIA | TIA-1084 | 1.0 | Published | Mar 09 | http://www.tiaonline.org/standards/technology/cdma2000/disclaimer.cfm |
| TTA | TTAT.3G-C.S0072-0 v1.0 | 1.0 | Approved | Dec 07 | http://www.tta.or.kr/data/ttasDown.jsp?where=14688&pk_num=TTAT.3G-C.S0072-0 v1.0 |
| Revision A | | | | | |
| TIA | TIA-1084-A | 1.0 | Published | Mar 10 | http://www.tiaonline.org/standards/technology/cdma2000/disclaimer.cfm |
| Revision B | | | | | |
| TIA | TIA-1084-B | 1.0 | Published | Mar 10 | http://www.tiaonline.org/standards/technology/cdma2000/disclaimer.cfm |

5.2.2.2.1.44 C.S0073

Signalling Test Specification for Mobile Station Equipment Identifier (MEID) Support for cdma2000 Spread Spectrum Systems

This specification defines air interface signalling conformance and interoperability tests for CDMA base stations and mobile stations implementing MEID.

| SDO (2) | Document No. | Version | Status | Issued date | Location (1) |
|-------------------|------------------------|---------|-----------|-------------|---|
| Revision 0 | | | | | |
| TIA | TIA-1058 | 1.0 | Published | Jan 09 | http://www.tiaonline.org/standards/technology/cdma2000/disclaimer.cfm |
| TTA | TTAT.3G-C.S0073-0 v1.0 | 1.0 | Approved | Dec 07 | http://www.tta.or.kr/data/ttasDown.jsp?where=14688&pk_num=TTAT.3G-C.S0073-0 v1.0 |
| Revision A | | | | | |
| TIA | TIA-1058-A | 1.0 | Published | Mar 10 | http://www.tiaonline.org/standards/technology/cdma2000/disclaimer.cfm |
| TTA | TTAT.3G-C.S0073-A v1.0 | 1.0 | Approved | Oct 08 | http://www.tta.or.kr/data/ttasDown.jsp?where=14688&pk_num=TTAT.3G-C.S0073-A v1.0 |
| Revision B | | | | | |
| TTA | TTAT.3G-C.S0073-B v1.0 | 1.0 | Approved | Oct 10 | http://www.tta.or.kr/data/ttasDown.jsp?where=14688&pk_num=TTAT.3G-C.S0073-B v1.0 |

5.2.2.2.1.45 C.S0074

UICC-Terminal interface Physical and Logical characteristics for cdma2000 Spread Spectrum Systems

This specification specifies the interface between the UICC and the Terminal for cdma2000 network operation.

| SDO (2) | Document No. | Version | Status | Issued date | Location (1) |
|-------------------|------------------------|---------|-----------|-------------|---|
| Revision 0 | | | | | |
| TIA | TIA-1095 | 1.0 | Published | Apr 06 | http://www.tiaonline.org/standards/technology/cdma2000/disclaimer.cfm |
| TTA | TTAT.3G-C.S0074-0 v1.0 | 1.0 | Approved | Dec 07 | http://www.tta.or.kr/data/ttasDown.jsp?where=14688&pk_num=TTAT.3G-C.S0074-0 v1.0 |

5.2.2.2.1.46 C.S0076

Discontinuous Transmission (DTX) of Speech in cdma2000 Systems

This specification provides requirements for source controlled variable rate vocoders to implement DTX.

| SDO (2) | Document No. | Version | Status | Issued date | Location (1) |
|-------------------|------------------------|---------|-----------|-------------|---|
| Revision 0 | | | | | |
| TIA | TIA-1106 | 1.0 | Published | May 07 | http://www.tiaonline.org/standards/technology/cdma2000/disclaimer.cfm |
| TTA | TTAT.3G-C.S0076-0 v1.0 | 1.0 | Approved | Dec 07 | http://www.tta.or.kr/data/ttasDown.jsp?where=14688&pk_num=TTAT.3G-C.S0076-0 v1.0 |

5.2.2.2.1.47 C.S0078

Secured Packet Structure for CDMA Card Application Toolkit (CCAT) Applications

This specification specifies the bearer specific part of secured packets structure.

| SDO (2) | Document No. | Version | Status | Issued date | Location (1) |
|-------------------|------------------------|---------|-----------|-------------|---|
| Revision 0 | | | | | |
| TIA | TIA-1107 | 1.0 | Published | Jan 09 | http://www.tiaonline.org/standards/technology/cdma2000/disclaimer.cfm |
| TTA | TTAT.3G-C.S0078-0 v1.0 | 1.0 | Approved | Dec 07 | http://www.tta.or.kr/data/ttasDown.jsp?where=14688&pk_num=TTAT.3G-C.S0078-0 v1.0 |

5.2.2.2.1.48 C.S0079

Remote APDU Structure for CDMA Card Application Toolkit (CCAT) Applications

This specification specifies the bearer specific part of Remote APDU (Application Protocol Data Unit) structure.

| SDO (2) | Document No. | Version | Status | Issued date | Location (1) |
|-------------------|------------------------|---------|-----------|-------------|---|
| Revision 0 | | | | | |
| TIA | TIA-1131 | 1.0 | Published | May 09 | http://www.tiaonline.org/standards/technology/cdma2000/disclaimer.cfm |
| TTA | TTAT.3G-C.S0079-0 v1.0 | 1.0 | Approved | Dec 07 | http://www.tta.or.kr/data/ttasDown.jsp?where=14688&pk_num=TTAT.3G-C.S0079-0 v1.0 |

5.2.2.2.1.49 C.S0083

Video Codec for 3GPP2 Packet Switched Multimedia Services – H.263

This specification provides normative and informative recommendations for H.263 decoding for 3GPP2 Packet Switched Multimedia Services.

| SDO (2) | Document No. | Version | Status | Issued date | Location (1) |
|---------|--------------|---------|--------|-------------|--------------|
|---------|--------------|---------|--------|-------------|--------------|

Revision 0

| | | | | | |
|-----|------------------------|-----|-----------|--------|---|
| TIA | TIA-1121.000-1 | 3.0 | Published | May 09 | http://www.tiaonline.org/standards/technology/cdma2000/disclaimer.cfm |
| TIA | TIA-1121.007-1 | 3.0 | Published | May 09 | http://www.tiaonline.org/standards/technology/cdma2000/disclaimer.cfm |
| TIA | TIA-1121.009-1 | 3.0 | Published | May 09 | http://www.tiaonline.org/standards/technology/cdma2000/disclaimer.cfm |
| TIA | TIA-1121.003-1 | 3.0 | Published | May 09 | http://www.tiaonline.org/standards/technology/cdma2000/disclaimer.cfm |
| TIA | TIA-1121.004-1 | 3.0 | Published | May 09 | http://www.tiaonline.org/standards/technology/cdma2000/disclaimer.cfm |
| TIA | TIA-1121.005-1 | 3.0 | Published | May 09 | http://www.tiaonline.org/standards/technology/cdma2000/disclaimer.cfm |
| TIA | TIA-1121.006-1 | 3.0 | Published | May 09 | http://www.tiaonline.org/standards/technology/cdma2000/disclaimer.cfm |
| TIA | TIA-1121.008-1 | 3.0 | Published | May 09 | http://www.tiaonline.org/standards/technology/cdma2000/disclaimer.cfm |
| TIA | TIA-1121.011 | 1.0 | Published | Jan 09 | http://www.tiaonline.org/standards/technology/cdma2000/disclaimer.cfm |
| TIA | TIA-1121.012 | 1.0 | Published | Jan 09 | http://www.tiaonline.org/standards/technology/cdma2000/disclaimer.cfm |
| TTA | TTAT.3G-C.S0083-0 v1.0 | 1.0 | Approved | Oct 08 | http://www.tta.or.kr/data/ttasDown.jsp?where=14688&pk_num=TTAT.3G-C.S0083-0 v1.0 |

Revision A

| | | | | | |
|-----|----------------|-----|-----------|--------|---|
| TIA | TIA-1121.000-A | 1.0 | Published | May 09 | http://www.tiaonline.org/standards/technology/cdma2000/disclaimer.cfm |
|-----|----------------|-----|-----------|--------|---|

5.2.2.2.1.50 C.S0084-000**Overview for Ultra Mobile Broadband (UMB) Air Interface Specification**

This volume provides an overview of the UMB air interface standard.

| SDO (2) | Document No. | Version | Status | Issued date | Location (1) |
|---------|--------------|---------|--------|-------------|--------------|
|---------|--------------|---------|--------|-------------|--------------|

Revision 0

| | | | | | |
|-----|--------------------------|-----|-----------|--------|---|
| TIA | TIA-1122 | 1.0 | Published | Aug 07 | http://www.tiaonline.org/standards/technology/cdma2000/disclaimer.cfm |
| TTA | TTAT.3G-C.S0084-000 v3.0 | 3.0 | Approved | Jul 09 | http://www.tta.or.kr/data/ttasDown.jsp?where=14688&pk_num=TTAT.3G-C.S0084-000 v3.0 |

Revision A

| | | | | | |
|-----|----------------------------|-----|----------|--------|---|
| TTA | TTAT.3G-C.S0084-000-A v1.0 | 1.0 | Approved | Jul 09 | http://www.tta.or.kr/data/ttasDown.jsp?where=14688&pk_num=TTAT.3G-C.S0084-000-A v1.0 |
|-----|----------------------------|-----|----------|--------|---|

5.2.2.2.1.51 C.S0084-003**Radio Link Layer for Ultra Mobile Broadband (UMB) Air Interface Specification**

This volume defines the radio link layer of the UMB air interface standard.

| SDO (2) | Document No. | Version | Status | Issued date | Location (1) |
|---------|--------------|---------|--------|-------------|--------------|
|---------|--------------|---------|--------|-------------|--------------|

Revision 0

| | | | | | |
|-----|--------------------------|-----|----------|--------|---|
| TTA | TTAT.3G-C.S0084-003 v3.0 | 3.0 | Approved | Jul 09 | http://www.tta.or.kr/data/ttasDown.jsp?where=14688&pk_num=TTAT.3G-C.S0084-003 v3.0 |
|-----|--------------------------|-----|----------|--------|---|

Revision A

| | | | | | |
|-----|------------|-----|-----------|--------|---|
| TIA | TIA-1122-A | 1.0 | Published | Sep 11 | http://www.tiaonline.org/standards/technology/cdma2000/disclaimer.cfm |
|-----|------------|-----|-----------|--------|---|

5.2.2.2.1.52 C.S0084-004**Application Layer for Ultra Mobile Broadband (UMB) Air Interface Specification**

This volume defines the application layer of the UMB air interface standard.

| SDO (2) | Document No. | Version | Status | Issued date | Location (1) |
|-------------------|--------------------------|---------|-----------|-------------|---|
| Revision 0 | | | | | |
| TIA | TIA-1170 | 1.0 | Published | Feb 10 | http://www.tiaonline.org/standards/technology/cdma2000/disclaimer.cfm |
| TTA | TTAT.3G-C.S0084-004 v3.0 | 3.0 | Approved | Jul 09 | http://www.tta.or.kr/data/ttasDown.jsp?where=14688&pk_num=TTAT.3G-C.S0084-004 v3.0 |

5.2.2.2.1.53 C.S0084-005

Security Functions for Ultra Mobile Broadband (UMB) Air Interface Specification

This volume defines the security functions of the UMB air interface standard.

| SDO (2) | Document No. | Version | Status | Issued date | Location (1) |
|-------------------|--------------------------|---------|-----------|-------------|---|
| Revision 0 | | | | | |
| TIA | TIA-1171 | 1.0 | Published | Feb 10 | http://www.tiaonline.org/standards/technology/cdma2000/disclaimer.cfm |
| TTA | TTAT.3G-C.S0084-005 v3.0 | 3.0 | Approved | Jul 09 | http://www.tta.or.kr/data/ttasDown.jsp?where=14688&pk_num=TTAT.3G-C.S0084-005 v3.0 |

5.2.2.2.1.54 C.S0084-006

Connection Control Plane for Ultra Mobile Broadband (UMB) Air Interface Specification

This volume defines the connection control plane of the UMB air interface standard.

| SDO (2) | Document No. | Version | Status | Issued date | Location (1) |
|-------------------|--------------------------|---------|-----------|-------------|---|
| Revision 0 | | | | | |
| TIA | TIA-1172 | 1.0 | Published | Feb 10 | http://www.tiaonline.org/standards/technology/cdma2000/disclaimer.cfm |
| TTA | TTAT.3G-C.S0084-006 v3.0 | 3.0 | Approved | Jul 09 | http://www.tta.or.kr/data/ttasDown.jsp?where=14688&pk_num=TTAT.3G-C.S0084-006 v3.0 |

5.2.2.2.1.55 C.S0084-007

Session Control Plane for Ultra Mobile Broadband (UMB) Air Interface Specification

This volume defines the session control plane of the UMB air interface standard.

| SDO (2) | Document No. | Version | Status | Issued date | Location (1) |
|-------------------|--------------------------|---------|-----------|-------------|---|
| Revision 0 | | | | | |
| TIA | TIA-1151 | 1.0 | Published | Jan 09 | http://www.tiaonline.org/standards/technology/cdma2000/disclaimer.cfm |
| TTA | TTAT.3G-C.S0084-007 v3.0 | 3.0 | Approved | Jul 09 | http://www.tta.or.kr/data/ttasDown.jsp?where=14688&pk_num=TTAT.3G-C.S0084-007 v3.0 |

5.2.2.2.1.56 C.S0084-008

Route Control Plane for Ultra Mobile Broadband (UMB) Air Interface Specification

This volume defines the route control plane of the UMB air interface standard.

| SDO (2) | Document No. | Version | Status | Issued date | Location (1) |
|---------|--------------|---------|--------|-------------|--------------|
|---------|--------------|---------|--------|-------------|--------------|

600

ITU-R M.1457-12

Revision 0

| | | | | | |
|-----|--------------------------|-----|----------|--------|---|
| TTA | TTAT.3G-C.S0084-008 v3.0 | 3.0 | Approved | Jul 09 | http://www.tta.or.kr/data/ttasDown.jsp?where=14688&pk_num=TTAT.3G-C.S0084-008 v3.0 |
|-----|--------------------------|-----|----------|--------|---|

Revision A

| | | | | | |
|-----|-------------------|-----|-----------|--------|---|
| TIA | TIA/EIA/IS-2001-A | 2.0 | Published | Aug 01 | http://www.tiaonline.org/standards/technology/cdma2000/disclaimer.cfm |
|-----|-------------------|-----|-----------|--------|---|

5.2.2.2.1.57 C.S0084-009

Broadcast-Multicast Upper Layers for Ultra Mobile Broadband (UMB) Air Interface Specification

This volume defines the broadcast multicast upper layers of the UMB air interface standard.

| SDO (2) | Document No. | Version | Status | Issued date | Location (1) |
|---------|--------------|---------|--------|-------------|--------------|
|---------|--------------|---------|--------|-------------|--------------|

Revision 0

| | | | | | |
|-----|--------------------------|-----|----------|--------|---|
| TTA | TTAT.3G-C.S0084-009 v3.0 | 3.0 | Approved | Jul 09 | http://www.tta.or.kr/data/ttasDown.jsp?where=14688&pk_num=TTAT.3G-C.S0084-009 v3.0 |
|-----|--------------------------|-----|----------|--------|---|

Revision A

| | | | | | |
|-----|-------------|-----|-----------|--------|---|
| TIA | TIA/EIA-828 | 2.0 | Published | Nov 01 | http://www.tiaonline.org/standards/technology/cdma2000/disclaimer.cfm |
|-----|-------------|-----|-----------|--------|---|

5.2.2.2.1.58 C.S0084-011

Physical Layer for Ultra Mobile Broadband (UMB) TDD Air Interface Specification

This volume defines the PHY layer protocols of the Ultra Mobile Broadband TDD air interface standard.

| SDO (2) | Document No. | Version | Status | Issued date | Location (1) |
|---------|--------------|---------|--------|-------------|--------------|
|---------|--------------|---------|--------|-------------|--------------|

Revision A

| | | | | | |
|-----|-------------|-----|-----------|--------|---|
| TIA | TIA/EIA-895 | 2.0 | Published | Feb 02 | http://www.tiaonline.org/standards/technology/cdma2000/disclaimer.cfm |
|-----|-------------|-----|-----------|--------|---|

| | | | | | |
|-----|-----------|-----|-----------|--------|---|
| TIA | TIA-895-A | 2.0 | Published | Oct 02 | http://www.tiaonline.org/standards/technology/cdma2000/disclaimer.cfm |
|-----|-----------|-----|-----------|--------|---|

Revision B

| | | | | | |
|-----|-----------|-----|-----------|--------|---|
| TIA | TIA-895-B | 1.0 | Published | Jul 11 | http://www.tiaonline.org/standards/technology/cdma2000/disclaimer.cfm |
|-----|-----------|-----|-----------|--------|---|

5.2.2.2.1.59 C.S0084-012

Medium Access Control Layer Protocols For Ultra Mobile Broadband TDD (UMB-TDD) Air Interface Specification

This volume defines the MAC layer protocols of the Ultra Mobile Broadband TDD air interface standard.

| SDO (2) | Document No. | Version | Status | Issued date | Location (1) |
|---------|--------------|---------|--------|-------------|--------------|
|---------|--------------|---------|--------|-------------|--------------|

Revision 0

| | | | | | |
|-----|----------|-----|-----------|--------|---|
| TIA | TIA-1070 | 1.0 | Published | Aug 06 | http://www.tiaonline.org/standards/technology/cdma2000/disclaimer.cfm |
|-----|----------|-----|-----------|--------|---|

5.2.2.2.1.60 C.S0085

VoIP Codecs and Protocols

This specification includes recommendations for VoIP codecs as well as protocol configuration to enable efficient support of VoIP over HRPD Rev_A.

| SDO (2) | Document No. | Version | Status | Issued date | Location (1) |
|-------------------|------------------------|---------|-----------|-------------|---|
| Revision 0 | | | | | |
| TIA | TIA/EIA/IS-2001.1-B | 2.0 | Published | May 02 | http://www.tiaonline.org/standards/technology/cdma2000/disclaimer.cfm |
| TTA | TTAT.3G-C.S0085 v1.0 | 1.0 | Approved | Oct 08 | http://www.tta.or.kr/data/ttasDown.jsp?where=14688&pk_num=TTAT.3G-C.S0085 v1.0 |
| Revision A | | | | | |
| TTA | TTAT.3G-C.S0085-A v1.0 | 1.0 | Approved | Jul 09 | http://www.tta.or.kr/data/ttasDown.jsp?where=14688&pk_num=TTAT.3G-C.S0085-A v1.0 |
| Revision B | | | | | |
| TIA | TIA-2001-C-1 | 1.0 | Published | Oct 03 | http://www.tiaonline.org/standards/technology/cdma2000/disclaimer.cfm |
| Revision C | | | | | |
| TIA | TIA-2001.1-D-4 | 5.0 | Published | May 14 | http://www.tiaonline.org/standards/technology/cdma2000/disclaimer.cfm |
| Revision D | | | | | |
| TIA | TIA-2001.1-E-4 | 5.0 | Published | Apr 14 | http://www.tiaonline.org/standards/technology/cdma2000/disclaimer.cfm |

5.2.2.2.1.61 C.S0088

Recommended Minimum Performance Standards for cdma2000 Ultra Mobile Broadband (UMB) Access Network

This specification provides techniques and limits on performance of Access Networks. The purpose of these limits is to provide assurance that compliant Access Network equipment, when used with compliant Access Terminals will work in a variety of deployment scenarios.

| SDO (2) | Document No. | Version | Status | Issued date | Location (1) |
|-------------------|------------------------|---------|-----------|-------------|---|
| Revision 0 | | | | | |
| TIA | TIA/EIA/IS-2001.2-B | 2.0 | Published | May 02 | http://www.tiaonline.org/standards/technology/cdma2000/disclaimer.cfm |
| TTA | TTAT.3G-C.S0088-0 v1.0 | 1.0 | Approved | Oct 10 | http://www.tta.or.kr/data/ttasDown.jsp?where=14688&pk_num=TTAT.3G-C.S0088-0 v1.0 |
| Revision B | | | | | |
| TIA | TIA-2001-C-1 | 1.0 | Published | Oct 03 | http://www.tiaonline.org/standards/technology/cdma2000/disclaimer.cfm |
| Revision C | | | | | |
| TIA | TIA-2001.2-D-4 | 5.0 | Published | May 14 | http://www.tiaonline.org/standards/technology/cdma2000/disclaimer.cfm |
| Revision D | | | | | |
| TIA | TIA-2001.2-E-4 | 5.0 | Published | Apr 14 | http://www.tiaonline.org/standards/technology/cdma2000/disclaimer.cfm |

5.2.2.2.1.62 C.S0089

Recommended Minimum Performance Standards for cdma2000 Ultra Mobile Broadband Access Terminal

This specification provides techniques and limits on performance of access terminals. The purpose of these limits is to provide assurance that compliant access terminals when used with compliant access network equipment will work in a variety of deployment scenarios.

| SDO (2) | Document No. | Version | Status | Issued date | Location (1) |
|-------------------|---------------------|---------|-----------|-------------|---|
| Revision 0 | | | | | |
| TIA | TIA/EIA/IS-2001.3-B | 2.0 | Published | May 02 | http://www.tiaonline.org/standards/technology/cdma2000/disclaimer.cfm |

602

| | | | | | |
|-------------------|------------------------|-----|-----------|--------|---|
| TTA | TTAT.3G-C.S0089-0 v1.0 | 1.0 | Approved | Oct 10 | http://www.tta.or.kr/data/ttasDown.jsp?where=14688&pk_num=TTAT.3G-C.S0089-0 v1.0 |
| Revision B | | | | | |
| TIA | TIA-2001-C-1 | 1.0 | Published | Oct 03 | http://www.tiaonline.org/standards/technology/cdma2000/disclaimer.cfm |
| Revision C | | | | | |
| TIA | TIA-2001.3-D-4 | 5.0 | Published | May 14 | http://www.tiaonline.org/standards/technology/cdma2000/disclaimer.cfm |
| Revision E | | | | | |
| TIA | TIA-2001.3-E-4 | 5.0 | Published | Apr 14 | http://www.tiaonline.org/standards/technology/cdma2000/disclaimer.cfm |

ITU-R M.1457-12

5.2.2.2.1.63 C.S0090

Test Application Specification for cdma2000 Ultra Mobile Broadband (UMB)

This standard is a companion to the Ultra Mobile Broadband (UMB) air interface standards. This specification provides a set of procedures that the access terminal and the access network can use to conduct the access terminal minimum performance tests in a factory/laboratory environment. It also allows measurements of certain forward and reverse link performances in a field environment.

| SDO (2) | Document No. | Version | Status | Issued date | Location (1) |
|-------------------|------------------------|---------|-----------|-------------|---|
| Revision 0 | | | | | |
| TIA | TIA/EIA/IS-2001.4-B | 2.0 | Published | May 02 | http://www.tiaonline.org/standards/technology/cdma2000/disclaimer.cfm |
| TTA | TTAT.3G-C.S0090-0 v1.0 | 1.0 | Approved | Oct 10 | http://www.tta.or.kr/data/ttasDown.jsp?where=14688&pk_num=TTAT.3G-C.S0090-0 v1.0 |
| Revision B | | | | | |
| TIA | TIA-2001-C-1 | 1.0 | Published | Oct 03 | http://www.tiaonline.org/standards/technology/cdma2000/disclaimer.cfm |
| Revision C | | | | | |
| TIA | TIA-2001.4-D-4 | 5.0 | Published | Apr 14 | http://www.tiaonline.org/standards/technology/cdma2000/disclaimer.cfm |
| Revision D | | | | | |
| TIA | TIA-2001.4-E-4 | 5.0 | Published | Apr 14 | http://www.tiaonline.org/standards/technology/cdma2000/disclaimer.cfm |

5.2.2.2.1.64 C.S0091

Signaling Conformance Specification for Ultra Mobile Broadband Air Interface

This specification provides a set of procedures that the UMB access terminal and the UMB access network can use to conduct the signaling conformance tests in a laboratory environment.

| SDO (2) | Document No. | Version | Status | Issued date | Location (1) |
|-------------------|----------------------|---------|-----------|-------------|---|
| Revision 0 | | | | | |
| TIA | TIA/EIA/IS-200-B | 2.0 | Published | May 02 | http://www.tiaonline.org/standards/technology/cdma2000/disclaimer.cfm |
| TTA | TTAT.3G-C.S0091 v1.0 | 1.0 | Approved | Jul 09 | http://www.tta.or.kr/data/ttasDown.jsp?where=14688&pk_num=TTAT.3G-C.S0091 v1.0 |
| Revision B | | | | | |
| TIA | TIA-2001-C-1 | 1.0 | Published | Oct 03 | http://www.tiaonline.org/standards/technology/cdma2000/disclaimer.cfm |
| Revision C | | | | | |
| TIA | TIA-2001.5-D-4 | 5.0 | Published | Apr 14 | http://www.tiaonline.org/standards/technology/cdma2000/disclaimer.cfm |
| Revision E | | | | | |
| TIA | TIA-2001.5-E-4 | 5.0 | Published | Apr 14 | http://www.tiaonline.org/standards/technology/cdma2000/disclaimer.cfm |

5.2.2.2.1.65 A.S0001**3GPP2 Access Network Interfaces Interoperability Specification (3G-IOS V4.0.0)**

This specification defines the interfaces within the radio access network and the interfaces from the radio access network to the core network and the packet network. This includes the “A” interface.

| SDO (2) | Document No. | Version | Status | Issued date | Location (1) |
|-------------------|------------------------|---------|-----------|-------------|---|
| Release A | | | | | |
| TTC | JP-3GB-A.S0001-A | | Published | May 01 | http://www.ttc.or.jp/imt/ts/tsas0001-A.pdf |
| Release | | | | | |
| TTC | JP-3GB-A.S0001 | | Published | May 01 | http://www.ttc.or.jp/imt/std/jpas0001v20.pdf |
| Revision 0 | | | | | |
| TIA | TIA/EIA/IS-2001-B | 2.0 | Published | May 02 | http://www.tiaonline.org/standards/technology/cdma2000/disclaimer.cfm |
| Revision A | | | | | |
| TTA | TTAT.3G-A.S0001-A v2.0 | 2.0 | Approved | Mar 03 | http://www.tta.or.kr/data/ttasDown.jsp?where=14688&pk_num=TTAT.3G-A.S0001-A v2.0 |
| Revision B | | | | | |
| TIA | TIA-2001-C-1 | 1.0 | Published | Oct 03 | http://www.tiaonline.org/standards/technology/cdma2000/disclaimer.cfm |
| Revision C | | | | | |
| TIA | TIA-2001.6-D-4 | 5.0 | Published | Apr 14 | http://www.tiaonline.org/standards/technology/cdma2000/disclaimer.cfm |
| Revision D | | | | | |
| TIA | TIA-2001.6-E-4 | 5.0 | Published | Apr 14 | http://www.tiaonline.org/standards/technology/cdma2000/disclaimer.cfm |

5.2.2.2.1.66 A.S0003**BTS-BSC Inter-operability (Abis Interface)**

This specification defines the BTS-BSC Inter-operability (Abis Interface).

| SDO (2) | Document No. | Version | Status | Issued date | Location (1) |
|-------------------|------------------------|---------|-----------|-------------|---|
| Release | | | | | |
| TTC | TS-3GB-A.S0003v1.0 | 1.0 | Published | Aug 01 | http://www.ttc.or.jp/imt/ts/tsas0003v1.0.pdf |
| Revision 0 | | | | | |
| TIA | TIA/EIA/IS-2001-B | 2.0 | Published | May 02 | http://www.tiaonline.org/standards/technology/cdma2000/disclaimer.cfm |
| Revision A | | | | | |
| TTA | TTAT.3G-A.S0003-A v2.0 | 2.0 | Approved | Mar 03 | http://www.tta.or.kr/data/ttasDown.jsp?where=14688&pk_num=TTAT.3G-A.S0003-A v2.0 |
| Revision B | | | | | |
| TIA | TIA-2001-C-1 | 1.0 | Published | Oct 03 | http://www.tiaonline.org/standards/technology/cdma2000/disclaimer.cfm |
| Revision C | | | | | |
| TIA | TIA-2001.7-D-4 | 5.0 | Published | Apr 14 | http://www.tiaonline.org/standards/technology/cdma2000/disclaimer.cfm |
| Revision D | | | | | |
| TIA | TIA-2001.7-E-4 | 5.0 | Published | Apr 14 | http://www.tiaonline.org/standards/technology/cdma2000/disclaimer.cfm |

5.2.2.2.1.67 A.S0004

CDMA Tandem Free Operation

This specification defines the CDMA Tandem Free Operation.

| SDO (2) | Document No. | Version | Status | Issued date | Location (1) |
|-------------------|------------------------|---------|-----------|-------------|---|
| Release C | | | | | |
| TTA | TTAT.3G-A.S0004-C v1.0 | 1.0 | Approved | Aug 12 | http://www.tta.or.kr/data/ttasDown.jsp?where=14688&pk_num=TTAT.3G-A.S0004-C v1.0 |
| TTC | TS-3GB-A.S0004-Av2.0 | 2.0 | Published | Aug 02 | http://www.ttc.or.jp/imt/ts/tsas0004-Av2.0.pdf |
| TTC | TS-3GB-A.S0004-Cv1.0 | 1.0 | Published | Apr 11 | http://www.ttc.or.jp/jp/document_list/free/3gpps2011/TS/TS-3GB-A.S0004-Cv1.0.pdf |
| TTC | TS-3GB-A.S0004-Bv2.0 | 2.0 | Published | Nov 02 | http://www.ttc.or.jp/imt/ts/tsas0004-Bv2.0.pdf |
| Release | | | | | |
| TTC | JP-3GB-A.S0004 | | Published | May 01 | http://www.ttc.or.jp/imt/std/jpas0004.pdf |
| Revision 0 | | | | | |
| TIA | TIA-2006-1 | 2.0 | Published | Feb 10 | http://www.tiaonline.org/standards/technology/cdma2000/disclaimer.cfm |
| TTA | TTAE.3G-A.S0004 | 1.0 | Approved | Jul 00 | http://www.tta.or.kr/data/ttasDown.jsp?where=14688&pk_num=TTAE.3G-A.S0004 |
| Revision A | | | | | |
| TIA | TIA-2006-A-1 | 2.0 | Published | Mar 10 | http://www.tiaonline.org/standards/technology/cdma2000/disclaimer.cfm |
| TTA | TTAT.3G-A.S0004-A v2.0 | 2.0 | Approved | Mar 03 | http://www.tta.or.kr/data/ttasDown.jsp?where=14688&pk_num=TTAT.3G-A.S0004-A v2.0 |
| Revision B | | | | | |
| TTA | TTAT.3G-A.S0004-B V2.0 | 2.0 | Approved | May 03 | http://www.tta.or.kr/data/ttasDown.jsp?where=14688&pk_num=TTAT.3G-A.S0004-B V2.0 |

5.2.2.2.1.68 A.S0006

Interoperability Specification (IOS) for Hybrid Mobile Station/Access Terminal (HAT) Authentication, Using the CAVE Algorithm

This document provides alternative procedures that allow a properly configured Hybrid mobile station/Access Terminal (HAT) to use its cdma2000®1 1x access network authentication credentials and the Cellular Authentication and Voice Encryption (CAVE) algorithm when accessing an HRPD network that requires HRPD network access authentication.

| SDO (2) | Document No. | Version | Status | Issued date | Location (1) |
|-------------------|------------------------|---------|-----------|-------------|---|
| Revision 0 | | | | | |
| TIA | TIA-1134-1 | 2.0 | Published | Jan 09 | http://www.tiaonline.org/standards/technology/cdma2000/disclaimer.cfm |
| TTA | TTAE.3G-A.S0006-0 v1.0 | 1.0 | Approved | Apr 06 | http://www.tta.or.kr/data/ttasDown.jsp?where=14688&pk_num=TTAE.3G-A.S0006-0 v1.0 |

5.2.2.2.1.69 A.S0011

Access Network Interfaces (3G-IOS)

This specification defines the Interoperability Specification (IOS) for CDMA 2000 Access Network Interfaces – Part 1 Overview.

| SDO (2) | Document No. | Version | Status | Issued date | Location (1) |
|------------------|----------------------|---------|-----------|-------------|---|
| Release D | | | | | |
| TTC | TS-3GB-A.S0011-Dv2.0 | 2.0 | Published | Feb 10 | http://www.ttc.or.jp/imt/ts/tsas0011-dv20.pdf |
| TTC | TS-3GB-A.S0011-Cv3.0 | 3.0 | Published | Dec 10 | http://www.ttc.or.jp/jp/document_list/free/3gpps2010/TS/TS-3GB-A.S0011-Cv3.0.pdf |
| TTC | TS-3GB-A.S0011-Av2.0 | 2.0 | Published | Nov 03 | http://www.ttc.or.jp/imt/ts/tsas0011-Av2.0.pdf |
| TTC | TS-3GB-A.S0011-Cv2.0 | 2.0 | Published | Mar 06 | http://www.ttc.or.jp/imt/ts/tsas0011-Cv2.0.pdf |

| | | | | | |
|-------------------|--------------------------|-------|-----------|--------|---|
| TTC | TS-3GB-A.S0011-Dv3.0 | 3.0 | Published | Nov 11 | http://www.ttc.or.jp/jp/document_list/free/3gpps2011/TS/TS-3GB-A.S0011-Dv3.0.pdf |
| TTC | TS-3GB-A.S0011-Bv1.0 | 1.0 | Published | Sep 04 | http://www.ttc.or.jp/imt/ts/tsas0011-Bv1.0.pdf |
| Release 0 | | | | | |
| TTC | TS-3GB-A.S0011-0v2.0 | 2.0 | Published | Aug 02 | http://www.ttc.or.jp/imt/ts/tsas0011-0v2.0.pdf |
| Revision 0 | | | | | |
| TIA | TIA-1135 | 1.0 | Published | Jan 09 | http://www.tiaonline.org/standards/technology/cdma2000/disclaimer.cfm |
| TTA | TTAT.3G-A.S0011-0 v2.0 | 2.0 | Approved | Mar 03 | http://www.tta.or.kr/data/ttasDown.jsp?where=14688&pk_num=TTAT.3G-A.S0011-0 v2.0 |
| Revision A | | | | | |
| TTA | TTAT.3G-A.S0011-A v2.0.1 | 2.0.1 | Approved | May 05 | http://www.tta.or.kr/data/ttasDown.jsp?where=14688&pk_num=TTAT.3G-A.S0011-A v2.0.1 |
| Revision B | | | | | |
| TTA | TTAT.3G-A.S0011-B v1.0 | 1.0 | Approved | May 05 | http://www.tta.or.kr/data/ttasDown.jsp?where=14688&pk_num=TTAT.3G-A.S0011-B v1.0 |
| Revision C | | | | | |
| TTA | TTAT.3G-A.S0011-C v2.0 | 2.0 | Approved | Apr 06 | http://www.tta.or.kr/data/ttasDown.jsp?where=14688&pk_num=TTAT.3G-A.S0011-C v2.0 |
| Revision D | | | | | |
| TTA | TTAT.3G-A.S0011-D v2.0 | 2.0 | Approved | Oct 10 | http://www.tta.or.kr/data/ttasDown.jsp?where=14688&pk_num=TTAT.3G-A.S0011-D v2.0 |

5.2.2.2.1.70 A.S0012

Access Network Interfaces (3G-IOS)

This specification defines the Interoperability Specification (IOS) for CDMA 2000 Access Network Interfaces – Part 2 Transport.

| SDO (2) | Document No. | Version | Status | Issued date | Location (1) |
|-------------------|--------------------------|---------|-----------|-------------|---|
| Release D | | | | | |
| TTC | TS-3GB-A.S0012-Dv2.0 | 2.0 | Published | Feb 10 | http://www.ttc.or.jp/imt/ts/tsas0012-dv20.pdf |
| TTC | TS-3GB-A.S0012-Cv3.0 | 3.0 | Published | Dec 10 | http://www.ttc.or.jp/jp/document_list/free/3gpps2010/TS/TS-3GB-A.S0012-Cv3.0.pdf |
| TTC | TS-3GB-A.S0012-Av2.0 | 2.0 | Published | Nov 03 | http://www.ttc.or.jp/imt/ts/tsas0012-Av2.0.pdf |
| TTC | TS-3GB-A.S0012-Cv2.0 | 2.0 | Published | Mar 06 | http://www.ttc.or.jp/imt/ts/tsas0012-Cv2.0.pdf |
| TTC | TS-3GB-A.S0012-Dv3.0 | 3.0 | Published | Nov 11 | http://www.ttc.or.jp/jp/document_list/free/3gpps2011/TS/TS-3GB-A.S0012-Dv3.0.pdf |
| TTC | TS-3GB-A.S0012-Bv1.0 | 1.0 | Published | Sep 04 | http://www.ttc.or.jp/imt/ts/tsas0012-Bv1.0.pdf |
| Release 0 | | | | | |
| TTC | TS-3GB-A.S0012-0v2.0 | 2.0 | Published | Aug 02 | http://www.ttc.or.jp/imt/ts/tsas0012-0v2.0.pdf |
| Revision 0 | | | | | |
| TTA | TTAT.3G-A.S0012-0 v2.0 | 2.0 | Approved | Mar 03 | http://www.tta.or.kr/data/ttasDown.jsp?where=14688&pk_num=TTAT.3G-A.S0012-0 v2.0 |
| Revision A | | | | | |
| TTA | TTAT.3G-A.S0012-A v2.0.1 | 2.0.1 | Approved | May 05 | http://www.tta.or.kr/data/ttasDown.jsp?where=14688&pk_num=TTAT.3G-A.S0012-A v2.0.1 |
| Revision B | | | | | |
| TTA | TTAT.3G-A.S0012-B v1.0 | 1.0 | Approved | May 05 | http://www.tta.or.kr/data/ttasDown.jsp?where=14688&pk_num=TTAT.3G-A.S0012-B v1.0 |
| Revision C | | | | | |
| TTA | TTAT.3G-A.S0012-C v2.0 | 2.0 | Approved | Apr 06 | http://www.tta.or.kr/data/ttasDown.jsp?where=14688&pk_num=TTAT.3G-A.S0012-C v2.0 |
| Revision D | | | | | |
| TTA | TTAT.3G-A.S0012-D v2.0 | 2.0 | Approved | Oct 10 | http://www.tta.or.kr/data/ttasDown.jsp?where=14688&pk_num=TTAT.3G-A.S0012-D v2.0 |

5.2.2.2.1.71 A.S0013

Access Network Interfaces (3G-IOS)

This specification defines the Interoperability Specification (IOS) for CDMA 2000 Access Network Interfaces – Part 3 Features.

| SDO (2) | Document No. | Version | Status | Issued date | Location (1) |
|-------------------|--------------------------|---------|-----------|-------------|---|
| Release A | | | | | |
| TTC | TS-3GB-A.S0013-Av2.0 | 2.0 | Published | Nov 03 | http://www.ttc.or.jp/imt/ts/tsas0013-Av2.0.pdf |
| TTC | TS-3GB-A.S0013-Dv2.0 | 2.0 | Published | Feb 10 | http://www.ttc.or.jp/imt/ts/tsas0013-dv20.pdf |
| TTC | TS-3GB-A.S0013-Dv3.0 | 3.0 | Published | Nov 11 | http://www.ttc.or.jp/jp/document_list/free/3gpps2011/TS/TS-3GB-A.S0013-Dv3.0.pdf |
| TTC | TS-3GB-A.S0013-Bv1.0 | 1.0 | Published | Sep 04 | http://www.ttc.or.jp/imt/ts/tsas0013-Bv1.0.pdf |
| TTC | TS-3GB-A.S0013-Cv2.0 | 2.0 | Published | Mar 06 | http://www.ttc.or.jp/imt/ts/tsas0013-Cv2.0.pdf |
| TTC | TS-3GB-A.S0013-Cv3.0 | 3.0 | Published | Dec 10 | http://www.ttc.or.jp/jp/document_list/free/3gpps2010/TS/TS-3GB-A.S0013-Cv3.0.pdf |
| Release 0 | | | | | |
| TTC | TS-3GB-A.S0013-0v2.0 | 2.0 | Published | Aug 02 | http://www.ttc.or.jp/imt/ts/tsas0013-0v2.0.pdf |
| Revision 0 | | | | | |
| TTA | TTAT.3G-A.S0013-0 v2.0 | 2.0 | Approved | Mar 03 | http://www.tta.or.kr/data/ttasDown.jsp?where=14688&pk_num=TTAT.3G-A.S0013-0 v2.0 |
| Revision A | | | | | |
| TTA | TTAT.3G-A.S0013-A v2.0.1 | 2.0.1 | Approved | May 05 | http://www.tta.or.kr/data/ttasDown.jsp?where=14688&pk_num=TTAT.3G-A.S0013-A v2.0.1 |
| Revision B | | | | | |
| TTA | TTAT.3G-A.S0013-B v1.0 | 1.0 | Approved | May 05 | http://www.tta.or.kr/data/ttasDown.jsp?where=14688&pk_num=TTAT.3G-A.S0013-B v1.0 |
| Revision C | | | | | |
| TTA | TTAT.3G-A.S0013-C v2.0 | 2.0 | Approved | Apr 06 | http://www.tta.or.kr/data/ttasDown.jsp?where=14688&pk_num=TTAT.3G-A.S0013-C v2.0 |
| Revision D | | | | | |
| TTA | TTAT.3G-A.S0013-D v2.0 | 2.0 | Approved | Oct 10 | http://www.tta.or.kr/data/ttasDown.jsp?where=14688&pk_num=TTAT.3G-A.S0013-D v2.0 |

5.2.2.2.1.72 A.S0014

Access Network Interfaces (3G-IOS)

This specification defines the Interoperability Specification (IOS) for CDMA 2000 Access Network Interfaces – Part 4 (A1, A2 and A5 Interfaces).

| SDO (2) | Document No. | Version | Status | Issued date | Location (1) |
|------------------|----------------------|---------|-----------|-------------|---|
| Release B | | | | | |
| TTC | TS-3GB-A.S0014-Bv1.0 | 1.0 | Published | Sep 04 | http://www.ttc.or.jp/imt/ts/tsas0014-Bv1.0.pdf |
| TTC | TS-3GB-A.S0014-Dv3.0 | 3.0 | Published | Nov 11 | http://www.ttc.or.jp/jp/document_list/free/3gpps2011/TS/TS-3GB-A.S0014-Dv3.0.pdf |
| TTC | TS-3GB-A.S0014-Av2.0 | 2.0 | Published | Nov 03 | http://www.ttc.or.jp/imt/ts/tsas0014-Av2.0.pdf |
| TTC | TS-3GB-A.S0014-Cv2.0 | 2.0 | Published | Mar 06 | http://www.ttc.or.jp/imt/ts/tsas0014-Cv2.0.pdf |
| TTC | TS-3GB-A.S0014-Dv2.0 | 2.0 | Published | Feb 10 | http://www.ttc.or.jp/imt/ts/tsas0014-dv20.pdf |
| TTC | TS-3GB-A.S0014-Cv3.0 | 3.0 | Published | Dec 10 | http://www.ttc.or.jp/jp/document_list/free/3gpps2010/TS/TS-3GB-A.S0014-Cv3.0.pdf |
| Release 0 | | | | | |
| TTC | TS-3GB-A.S0014-0v2.0 | 2.0 | Published | Aug 02 | http://www.ttc.or.jp/imt/ts/tsas0013-dv20.pdf |

Revision 0

| | | | | | |
|-----|------------------------|-----|----------|--------|---|
| TTA | TTAT.3G-A.S0014-0 v2.0 | 2.0 | Approved | Mar 03 | http://www.tta.or.kr/data/ttasDown.jsp?where=14688&pk_num=TTAT.3G-A.S0014-0 v2.0 |
|-----|------------------------|-----|----------|--------|---|

Revision A

| | | | | | |
|-----|--------------------------|-------|----------|--------|---|
| TTA | TTAT.3G-A.S0014-A v2.0.1 | 2.0.1 | Approved | May 05 | http://www.tta.or.kr/data/ttasDown.jsp?where=14688&pk_num=TTAT.3G-A.S0014-A v2.0.1 |
|-----|--------------------------|-------|----------|--------|---|

Revision B

| | | | | | |
|-----|------------------------|-----|----------|--------|---|
| TTA | TTAT.3G-A.S0014-B v1.0 | 1.0 | Approved | May 05 | http://www.tta.or.kr/data/ttasDown.jsp?where=14688&pk_num=TTAT.3G-A.S0014-B v1.0 |
|-----|------------------------|-----|----------|--------|---|

Revision C

| | | | | | |
|-----|------------------------|-----|----------|--------|---|
| TTA | TTAT.3G-A.S0014-C v2.0 | 2.0 | Approved | Apr 06 | http://www.tta.or.kr/data/ttasDown.jsp?where=14688&pk_num=TTAT.3G-A.S0014-C v2.0 |
|-----|------------------------|-----|----------|--------|---|

Revision D

| | | | | | |
|-----|------------------------|-----|----------|--------|---|
| TTA | TTAT.3G-A.S0014-D v2.0 | 2.0 | Approved | Oct 10 | http://www.tta.or.kr/data/ttasDown.jsp?where=14688&pk_num=TTAT.3G-A.S0014-D v2.0 |
|-----|------------------------|-----|----------|--------|---|

5.2.2.2.1.73 A.S0015**Access Network Interfaces (3G-IOS)**

This specification defines the Interoperability Specification (IOS) for CDMA 2000 Access Network Interfaces – Part 5 (A3 and A7 Interfaces).

| SDO (2) | Document No. | Version | Status | Issued date | Location (1) |
|-------------------|--------------------------|---------|-----------|-------------|---|
| Release D | | | | | |
| TTC | TS-3GB-A.S0015-Dv2.0 | 2.0 | Published | Feb 10 | http://www.ttc.or.jp/imt/ts/tsas0015-dv20.pdf |
| TTC | TS-3GB-A.S0015-Av2.0 | 2.0 | Published | Nov 03 | http://www.ttc.or.jp/imt/ts/tsas0015-Av2.0.pdf |
| TTC | TS-3GB-A.S0015-Bv1.0 | 1.0 | Published | Sep 04 | http://www.ttc.or.jp/imt/ts/tsas0015-Bv1.0.pdf |
| TTC | TS-3GB-A.S0015-Cv2.0 | 2.0 | Published | Mar 06 | http://www.ttc.or.jp/imt/ts/tsas0015-Cv2.0.pdf |
| TTC | TS-3GB-A.S0015-Dv3.0 | 3.0 | Published | Nov 11 | http://www.ttc.or.jp/jp/document_list/free/3gpps2011/TS/TS-3GB-A.S0015-Dv3.0.pdf |
| TTC | TS-3GB-A.S0015-Cv3.0 | 3.0 | Published | Dec 10 | http://www.ttc.or.jp/jp/document_list/free/3gpps2010/TS/TS-3GB-A.S0015-Cv3.0.pdf |
| Release 0 | | | | | |
| TTC | TS-3GB-A.S0015-0v2.0 | 2.0 | Published | Aug 02 | http://www.ttc.or.jp/imt/ts/tsas0015-0v2.0.pdf |
| Revision 0 | | | | | |
| TTA | TTAT.3G-A.S0015-0 v2.0 | 2.0 | Approved | Mar 03 | http://www.tta.or.kr/data/ttasDown.jsp?where=14688&pk_num=TTAT.3G-A.S0015-0 v2.0 |
| Revision A | | | | | |
| TTA | TTAT.3G-A.S0015-A v2.0.1 | 2.0.1 | Approved | May 05 | http://www.tta.or.kr/data/ttasDown.jsp?where=14688&pk_num=TTAT.3G-A.S0015-A v2.0.1 |
| Revision B | | | | | |
| TTA | TTAT.3G-A.S0015-B v1.0 | 1.0 | Approved | May 05 | http://www.tta.or.kr/data/ttasDown.jsp?where=14688&pk_num=TTAT.3G-A.S0015-B v1.0 |
| Revision C | | | | | |
| TTA | TTAT.3G-A.S0015-C v2.0 | 2.0 | Approved | Apr 06 | http://www.tta.or.kr/data/ttasDown.jsp?where=14688&pk_num=TTAT.3G-A.S0015-C v2.0 |
| Revision D | | | | | |
| TTA | TTAT.3G-A.S0015-D v2.0 | 2.0 | Approved | Oct 10 | http://www.tta.or.kr/data/ttasDown.jsp?where=14688&pk_num=TTAT.3G-A.S0015-D v2.0 |

5.2.2.2.1.74 A.S0016**Access Network Interfaces (3G-IOS)**

This specification defines the Interoperability Specification (IOS) for CDMA 2000 Access Network Interfaces – Part 6 (A8 and A9 Interfaces).

| SDO (2) | Document No. | Version | Status | Issued date | Location (1) |
|---------|--------------|---------|--------|-------------|--------------|
|---------|--------------|---------|--------|-------------|--------------|

608

ITU-R M.1457-12

Release A

| | | | | | |
|-----|----------------------|-----|-----------|--------|---|
| TTC | TS-3GB-A.S0016-Av2.0 | 2.0 | Published | Nov 03 | http://www.ttc.or.jp/imt/ts/tsas0016-Av2.0.pdf |
| TTC | TS-3GB-A.S0016-Dv3.0 | 3.0 | Published | Nov 11 | http://www.ttc.or.jp/jp/document_list/free/3gpps2011/TS/TS-3GB-A.S0016-Dv3.0.pdf |
| TTC | TS-3GB-A.S0016-Dv2.0 | 2.0 | Published | Feb 10 | http://www.ttc.or.jp/imt/ts/tsas0016-dv20.pdf |
| TTC | TS-3GB-A.S0016-Cv3.0 | 3.0 | Published | Dec 10 | http://www.ttc.or.jp/jp/document_list/free/3gpps2010/TS/TS-3GB-A.S0016-Cv3.0.pdf |
| TTC | TS-3GB-A.S0016-Bv1.0 | 1.0 | Published | Sep 04 | http://www.ttc.or.jp/imt/ts/tsas0016-Bv1.0.pdf |
| TTC | TS-3GB-A.S0016-Cv2.0 | 2.0 | Published | Mar 06 | http://www.ttc.or.jp/imt/ts/tsas0016-Cv2.0.pdf |

Release 0

| | | | | | |
|-----|----------------------|-----|-----------|--------|---|
| TTC | TS-3GB-A.S0016-0v2.0 | 2.0 | Published | Aug 02 | http://www.ttc.or.jp/imt/ts/tsas0015-dv20.pdf |
|-----|----------------------|-----|-----------|--------|---|

Revision 0

| | | | | | |
|-----|------------------------|-----|----------|--------|---|
| TTA | TTAT.3G-A.S0016-0 v2.0 | 2.0 | Approved | Mar 03 | http://www.tta.or.kr/data/ttasDown.jsp?where=14688&pk_num=TTAT.3G-A.S0016-0 v2.0 |
|-----|------------------------|-----|----------|--------|---|

Revision A

| | | | | | |
|-----|--------------------------|-------|----------|--------|---|
| TTA | TTAT.3G-A.S0016-A v2.0.1 | 2.0.1 | Approved | May 05 | http://www.tta.or.kr/data/ttasDown.jsp?where=14688&pk_num=TTAT.3G-A.S0016-A v2.0.1 |
|-----|--------------------------|-------|----------|--------|---|

Revision B

| | | | | | |
|-----|------------------------|-----|----------|--------|---|
| TTA | TTAT.3G-A.S0016-B v1.0 | 1.0 | Approved | May 05 | http://www.tta.or.kr/data/ttasDown.jsp?where=14688&pk_num=TTAT.3G-A.S0016-B v1.0 |
|-----|------------------------|-----|----------|--------|---|

Revision C

| | | | | | |
|-----|------------------------|-----|----------|--------|---|
| TTA | TTAT.3G-A.S0016-C v2.0 | 2.0 | Approved | Apr 06 | http://www.tta.or.kr/data/ttasDown.jsp?where=14688&pk_num=TTAT.3G-A.S0016-C v2.0 |
|-----|------------------------|-----|----------|--------|---|

Revision D

| | | | | | |
|-----|------------------------|-----|----------|--------|---|
| TTA | TTAT.3G-A.S0016-D v2.0 | 2.0 | Approved | Oct 10 | http://www.tta.or.kr/data/ttasDown.jsp?where=14688&pk_num=TTAT.3G-A.S0016-D v2.0 |
|-----|------------------------|-----|----------|--------|---|

5.2.2.2.1.75 A.S0017

Access Network Interfaces (3G-IOS)

This specification defines the Interoperability Specification (IOS) for CDMA 2000 Access Network Interfaces – Part 7 (A10 and A11 Interfaces).

| SDO (2) | Document No. | Version | Status | Issued date | Location (1) |
|-------------------|--------------------------|---------|-----------|-------------|---|
| Release B | | | | | |
| TTC | TS-3GB-A.S0017-Bv1.0 | 1.0 | Published | Sep 04 | http://www.ttc.or.jp/imt/ts/tsas0017-Bv1.0.pdf |
| TTC | TS-3GB-A.S0017-Dv2.0 | 2.0 | Published | Feb 10 | http://www.ttc.or.jp/imt/ts/tsas0017-dv20.pdf |
| TTC | TS-3GB-A.S0017-Cv2.0 | 2.0 | Published | Mar 06 | http://www.ttc.or.jp/imt/ts/tsas0017-Cv2.0.pdf |
| TTC | TS-3GB-A.S0017-Dv3.0 | 3.0 | Published | Nov 11 | http://www.ttc.or.jp/jp/document_list/free/3gpps2011/TS/TS-3GB-A.S0017-Dv3.0.pdf |
| TTC | TS-3GB-A.S0017-Av2.0 | 2.0 | Published | Nov 03 | http://www.ttc.or.jp/imt/ts/tsas0017-Av2.0.pdf |
| TTC | TS-3GB-A.S0017-Cv3.0 | 3.0 | Published | Dec 10 | http://www.ttc.or.jp/jp/document_list/free/3gpps2010/TS/TS-3GB-A.S0017-Cv3.0.pdf |
| Release 0 | | | | | |
| TTC | TS-3GB-A.S0017-0v2.0 | 2.0 | Published | Aug 02 | http://www.ttc.or.jp/imt/ts/tsas0016-dv20.pdf |
| Revision 0 | | | | | |
| TTA | TTAT.3G-A.S0017-0 v2.0 | 2.0 | Approved | Mar 03 | http://www.tta.or.kr/data/ttasDown.jsp?where=14688&pk_num=TTAT.3G-A.S0017-0 v2.0 |
| Revision A | | | | | |
| TTA | TTAT.3G-A.S0017-A v2.0.1 | 2.0.1 | Approved | May 05 | http://www.tta.or.kr/data/ttasDown.jsp?where=14688&pk_num=TTAT.3G-A.S0017-A v2.0.1 |
| Revision B | | | | | |
| TTA | TTAT.3G-A.S0017-B v1.0 | 1.0 | Approved | May 05 | http://www.tta.or.kr/data/ttasDown.jsp?where=14688&pk_num=TTAT.3G-A.S0017-B v1.0 |
| Revision C | | | | | |
| TTA | TTAT.3G-A.S0017-C v2.0 | 2.0 | Approved | Apr 06 | http://www.tta.or.kr/data/ttasDown.jsp?where=14688&pk_num=TTAT.3G-A.S0017-C v2.0 |
| Revision D | | | | | |

| | | | | | |
|-----|------------------------|-----|----------|--------|---|
| TTA | TTAT.3G-A.S0017-D v2.0 | 2.0 | Approved | Oct 10 | http://www.tta.or.kr/data/ttasDown.jsp?where=14688&pk_num=TTAT.3G-A.S0017-D v2.0 |
|-----|------------------------|-----|----------|--------|---|

5.2.2.2.1.76 A.S0019

Interoperability Specification (IOS) for Broadcast Multicast Services (BCMCS)

This document provides user level descriptions and access network call flows and messages designed to assist in the understanding of BCMCS operation.

| SDO (2) | Document No. | Version | Status | Issued date | Location (1) |
|-------------------|------------------------|---------|-----------|-------------|---|
| Release A | | | | | |
| TTC | TS-3GB-A.S0019-Av2.0 | 2.0 | Published | Jun 08 | http://www.ttc.or.jp/imt/ts/tsas0019-Av2.0.pdf |
| Release 0 | | | | | |
| TTC | TS-3GB-A.S0019-0v1.0 | 1.0 | Published | Mar 05 | http://www.ttc.or.jp/imt/ts/tsas0019-0v1.0.pdf |
| Revision 0 | | | | | |
| TTA | TTAT.3G-A.S0019-0 v2.0 | 2.0 | Approved | Dec 07 | http://www.tta.or.kr/data/ttasDown.jsp?where=14688&pk_num=TTAT.3G-A.S0019-0 v2.0 |
| Revision A | | | | | |
| TTA | TTAT.3G-A.S0019-A v2.0 | 2.0 | Approved | Oct 08 | http://www.tta.or.kr/data/ttasDown.jsp?where=14688&pk_num=TTAT.3G-A.S0019-A v2.0 |

5.2.2.2.1.77 A.S0020

Interoperability Specification (IOS) for Ultra Mobile Broadband (UMB) Radio Access Network Interfaces

This document provides an interoperability specification for a RAN that supports UMB.

| SDO (2) | Document No. | Version | Status | Issued date | Location (1) |
|-------------------|------------------------|---------|-----------|-------------|---|
| Release 0 | | | | | |
| TTC | TS-3GB-A.S0020-0v2.0 | 2.0 | Published | Sep 08 | http://www.ttc.or.jp/imt/ts/tsas0020-0v2.0.pdf |
| Revision 0 | | | | | |
| TTA | TTAT.3G-A.S0020-0 v2.0 | 2.0 | Approved | Jul 09 | http://www.tta.or.kr/data/ttasDown.jsp?where=14688&pk_num=TTAT.3G-A.S0020-0 v2.0 |

5.2.2.2.1.78 A.S0021

Inter-Technology Handoff for Ultra Mobile Broadband (UMB) Radio Access Network Interfaces

This document describes the protocols and procedures to support inter-technology handoff between Ultra Mobile Broadband and other technologies.

| SDO (2) | Document No. | Version | Status | Issued date | Location (1) |
|-------------------|------------------------|---------|-----------|-------------|---|
| Release 0 | | | | | |
| TTC | TS-3GB-A.S0021-0v1.0 | 1.0 | Published | Sep 08 | http://www.ttc.or.jp/imt/ts/tsas0021-0v1.0.pdf |
| Revision 0 | | | | | |
| TTA | TTAT.3G-A.S0021-0 v1.0 | 1.0 | Approved | Jul 09 | http://www.tta.or.kr/data/ttasDown.jsp?where=14688&pk_num=TTAT.3G-A.S0021-0 v1.0 |

5.2.2.2.2 cdma2000 System and Service Aspects Specifications

5.2.2.2.2.1 S.R0005**3GPP2 Network Reference Model**

This document describes the network entities and associated reference points that comprise a wireless network.

| SDO (2) | Document No. | Version | Status | Issued date | Location (1) |
|-------------------|------------------------|---------|-----------|-------------|---|
| Release B | | | | | |
| TTC | TS-3GB-S.R0005-Bv2.0 | 2.0 | Published | Sep 07 | http://www.ttc.or.jp/imt/ts/tssr0005-Bv2.0.pdf |
| Revision A | | | | | |
| TTA | TTAT.3G-S.R0005-A v1.0 | 1.0 | Approved | Dec 07 | http://www.tta.or.kr/data/ttasDown.jsp?where=14688&pk_num=TTAT.3G-S.R0005-A v1.0 |
| Revision B | | | | | |
| TIA | TSB-100-A-2 | 2.0 | Published | Feb 11 | http://www.tiaonline.org/standards/technology/cdma2000/disclaimer.cfm |

5.2.2.2.3**cdma2000 Core Network Specifications**

| SDO (2) | Document No. | Version | Status | Issued date | Location (1) |
|---------|--------------|---------|--------|-------------|--------------|
|---------|--------------|---------|--------|-------------|--------------|

5.2.2.2.3.1 N.S0003**User Identity Module**

This specification defines the enhancements required to support mobile stations equipped with UIMs.

| SDO (2) | Document No. | Version | Status | Issued date | Location (1) |
|-------------------|--------------------|---------|-----------|-------------|---|
| Release | | | | | |
| TTC | TS-3GB-N.S0003v1.0 | 1.0 | Published | May 01 | http://www.ttc.or.jp/imt/ts/tsns0003v10.pdf |
| Revision 0 | | | | | |
| TIA | TIA-EIA-IS-808 | 1.0 | Published | Nov 00 | http://www.tiaonline.org/standards/technology/cdma2000/disclaimer.cfm |
| TTA | TTAE.3G-N.S0003 | 1.0 | Approved | Jul 00 | http://www.tta.or.kr/data/ttasDown.jsp?where=14688&pk_num=TTAE.3G-N.S0003 |

5.2.2.2.3.2 N.S0004**WIN Phase 2**

This specification defines the enhancements for wireless intelligent network (WIN) which includes trigger for preferred language, advice of charge, rejection of undesired annoying calls, premium rate charging, and freephone service.

| SDO (2) | Document No. | Version | Status | Issued date | Location (1) |
|------------------|----------------------|---------|-----------|-------------|---|
| Release 0 | | | | | |
| TTC | TS-3GB-N.S0004-0v1.0 | 1.0 | Published | May 01 | http://www.ttc.or.jp/imt/ts/tsns0004-0v10.pdf |

Revision 0

| | | | | | |
|-----|-----------------|-----|-----------|--------|---|
| TIA | TIA-EIA-IS-848 | 1.0 | Published | Nov 00 | http://www.tiaonline.org/standards/technology/cdma2000/disclaimer.cfm |
| TTA | TTAE.3G-N.S0004 | 1.0 | Approved | Jul 00 | http://www.tta.or.kr/data/ttasDown.jsp?where=14688&pk_num=TTAE.3G-N.S0004 |

5.2.2.2.3.3 X.S0004

Mobile Application Part

This specification describes procedures necessary to provide to wireless radio telephone subscribers certain services requiring interaction between different wireless systems.

| SDO (2) | Document No. | Version | Status | Issued date | Location (1) |
|-------------------|----------------------------|---------|-----------|-------------|---|
| Revision E | | | | | |
| TIA | TIA-41-E | 1.0 | Published | May 12 | http://www.tiaonline.org/standards/technology/cdma2000/disclaimer.cfm |
| TIA | TIA-41-E-2 | 3.0 | Published | May 12 | http://www.tiaonline.org/standards/technology/cdma2000/disclaimer.cfm |
| TIA | TIA-41.000-E-9 | 10 | Published | May 12 | http://www.tiaonline.org/standards/technology/cdma2000/disclaimer.cfm |
| TIA | TIA-41-E-1 | 2.0 | Published | May 12 | http://www.tiaonline.org/standards/technology/cdma2000/disclaimer.cfm |
| TTA | TTAT.3G-X.S0004-335 v1.0 | 1.0 | Approved | Jul 09 | http://www.tta.or.kr/data/ttasDown.jsp?where=14688&pk_num=TTAT.3G-X.S0004-335 v1.0 |
| TTA | TTAT.3G-X.S0004-336 v1.0 | 1.0 | Approved | Jul 09 | http://www.tta.or.kr/data/ttasDown.jsp?where=14688&pk_num=TTAT.3G-X.S0004-336 v1.0 |
| TTA | TTAT.3G-X.S0004-350 v1.0 | 1.0 | Approved | Jul 09 | http://www.tta.or.kr/data/ttasDown.jsp?where=14688&pk_num=TTAT.3G-X.S0004-350 v1.0 |
| TTA | TTAT.3G-X.S0004-371 v1.0 | 1.0 | Approved | Jul 09 | http://www.tta.or.kr/data/ttasDown.jsp?where=14688&pk_num=TTAT.3G-X.S0004-371 v1.0 |
| TTA | TTAT.3G-X.S0004-590 v1.0 | 1.0 | Approved | Jul 09 | http://www.tta.or.kr/data/ttasDown.jsp?where=14688&pk_num=TTAT.3G-X.S0004-590 v1.0 |
| TTA | TTAT.3G-X.S0004-520 v2.0 | 2.0 | Approved | Jul 09 | http://www.tta.or.kr/data/ttasDown.jsp?where=14688&pk_num=TTAT.3G-X.S0004-520 v2.0 |
| TTA | TTAT.3G-X.S0004-540 v2.0 | 2.0 | Approved | Jul 09 | http://www.tta.or.kr/data/ttasDown.jsp?where=14688&pk_num=TTAT.3G-X.S0004-540 v2.0 |
| TTA | TTAT.3G-X.S0004-322 v1.0 | 1.0 | Approved | Jul 09 | http://www.tta.or.kr/data/ttasDown.jsp?where=14688&pk_num=TTAT.3G-X.S0004-322 v1.0 |
| TTA | TTAT.3G-X.S0004-651 v2.0 | 2.0 | Approved | Jul 09 | http://www.tta.or.kr/data/ttasDown.jsp?where=14688&pk_num=TTAT.3G-X.S0004-651 v2.0 |
| TTA | TTAT.3G-X.S0004-333 v1.0 | 1.0 | Approved | Jul 09 | http://www.tta.or.kr/data/ttasDown.jsp?where=14688&pk_num=TTAT.3G-X.S0004-333 v1.0 |
| TTA | TTAT.3G-X.S0004-690 v2.0 | 2.0 | Approved | Jul 09 | http://www.tta.or.kr/data/ttasDown.jsp?where=14688&pk_num=TTAT.3G-X.S0004-690 v2.0 |
| TTA | TTAT.3G-X.S0004-323 v1.0 | 1.0 | Approved | Jul 09 | http://www.tta.or.kr/data/ttasDown.jsp?where=14688&pk_num=TTAT.3G-X.S0004-323 v1.0 |
| TTA | TTAT.3G-X.S0004-630 v3.0 | 3.0 | Approved | Jul 09 | http://www.tta.or.kr/data/ttasDown.jsp?where=14688&pk_num=TTAT.3G-X.S0004-630 v3.0 |
| TTA | TTAT.3G-X.S0004-334 v1.0 | 1.0 | Approved | Jul 09 | http://www.tta.or.kr/data/ttasDown.jsp?where=14688&pk_num=TTAT.3G-X.S0004-334 v1.0 |
| TTA | TTAT.3G-X.S0004-640 v2.0 | 2.0 | Approved | Jul 09 | http://www.tta.or.kr/data/ttasDown.jsp?where=14688&pk_num=TTAT.3G-X.S0004-640 v2.0 |
| TTA | TTAT.3G-X.S0004-321 v2.0 | 2.0 | Approved | Jul 09 | http://www.tta.or.kr/data/ttasDown.jsp?where=14688&pk_num=TTAT.3G-X.S0004-321 v2.0 |
| TTA | TTAT.3G-X.S0004-641 v2.0 | 2.0 | Approved | Jul 09 | http://www.tta.or.kr/data/ttasDown.jsp?where=14688&pk_num=TTAT.3G-X.S0004-641 v2.0 |
| TTA | TTAT.3G-X.S0004-331 v1.0 | 1.0 | Approved | Jul 09 | http://www.tta.or.kr/data/ttasDown.jsp?where=14688&pk_num=TTAT.3G-X.S0004-331 v1.0 |
| TTA | TTAT.3G-X.S0004-324 v2.0 | 2.0 | Approved | Jul 09 | http://www.tta.or.kr/data/ttasDown.jsp?where=14688&pk_num=TTAT.3G-X.S0004-324 v2.0 |
| TTA | TTAT.3G-X.S0004-329 v1.0 | 1.0 | Approved | Jul 09 | http://www.tta.or.kr/data/ttasDown.jsp?where=14688&pk_num=TTAT.3G-X.S0004-329 v1.0 |
| TTA | TTAT.3G-X.S0004-328 v2.0 | 2.0 | Approved | Jul 09 | http://www.tta.or.kr/data/ttasDown.jsp?where=14688&pk_num=TTAT.3G-X.S0004-328 v2.0 |
| TTA | TTAT.3G-X.S0004-327 v1.0 | 1.0 | Approved | Jul 09 | http://www.tta.or.kr/data/ttasDown.jsp?where=14688&pk_num=TTAT.3G-X.S0004-327 v1.0 |
| TTA | TTAT.3G-X.S0004-332 v1.0 | 1.0 | Approved | Jul 09 | http://www.tta.or.kr/data/ttasDown.jsp?where=14688&pk_num=TTAT.3G-X.S0004-332 v1.0 |
| TTA | TTAT.3G-X.S0004-550 v2.0 | 2.0 | Approved | Jul 09 | http://www.tta.or.kr/data/ttasDown.jsp?where=14688&pk_num=TTAT.3G-X.S0004-550 v2.0 |
| TTA | TTAT.3G-X.S0004-325 v1.0 | 1.0 | Approved | Jul 09 | http://www.tta.or.kr/data/ttasDown.jsp?where=14688&pk_num=TTAT.3G-X.S0004-325 v1.0 |
| TTA | TTAT.3G-X.S0004-330 v1.0 | 1.0 | Approved | Jul 09 | http://www.tta.or.kr/data/ttasDown.jsp?where=14688&pk_num=TTAT.3G-X.S0004-330 v1.0 |
| TTA | TTAT.3G-X.S0004-000-E v8.0 | 9.0 | Approved | Sep 09 | http://www.tta.or.kr/data/ttasDown.jsp?where=14688&pk_num=TTAT.3G-X.S0004-000-E v8.0 |
| TTA | TTAT.3G-X.S0004-691 v3.0 | 3.0 | Approved | Jul 09 | http://www.tta.or.kr/data/ttasDown.jsp?where=14688&pk_num=TTAT.3G-X.S0004-691 v3.0 |
| TTA | TTAT.3G-X.S0004-372 v1.0 | 1.0 | Approved | Jul 09 | http://www.tta.or.kr/data/ttasDown.jsp?where=14688&pk_num=TTAT.3G-X.S0004-372 v1.0 |

612

TTA

TTAT.3G-X.S0004-326 v1.0

1.0

Approved

Jul 09

ITU-R M.1457-12

http://www.tta.or.kr/data/ttasDown.jsp?where=14688&pk_num=TTAT.3G-X.S0004-326 v1.0

5.3 IMT-2000 CDMA TDD

5.3.1 Overview of the radio interface

5.3.1.1 Introduction

The IMT-2000 radio interface specifications for CDMA TDD technology are developed by a partnership of standards development organizations (SDOs) (see Note 1). This radio interface is called the Universal Terrestrial Radio Access (UTRA) time division duplex (TDD), where three options, called 1.28 Mchip/s TDD (TD-SCDMA – see Note 2), 3.84 Mchip/s TDD and 7.68 Mchip/s TDD can be distinguished.

The UTRA TDD specifications have been developed with the strong objective of harmonization with the FDD component (see § 5.1) to achieve maximum commonality. This was achieved by harmonization of important parameters of the physical layer and a common set of protocols in the higher layers are specified for both FDD and TDD, where 1.28 Mchip/s TDD has significant commonality with 3.84 Mchip/s TDD and 7.68 Mchip/s TDD. UTRA TDD with the three options accommodates the various needs of the different Regions in a flexible way and is specified in a common set of specifications.

In the development of this radio interface the core network specifications are based on an evolved GSM-MAP. However, the specifications include the necessary capabilities for operation with an evolved ANSI-41-based core network.

The radio access scheme is direct-sequence code division multiple access. There are three chip rate options: the 3.84 Mchip/s TDD option, with information spread over approximately 5 MHz bandwidth and a chip rate of 3.84 Mchip/s, the 7.68 Mchip/s TDD option with information spread over approximately 10 MHz bandwidth and a chip rate of 7.68 Mchip/s and the 1.28 Mchip/s TDD option, with information spread over approximately 1.6 MHz bandwidth and a chip rate of 1.28 Mchip/s. The radio interface is defined to carry a wide range of services to efficiently support both circuit-switched services (e.g. PSTN- and ISDN-based networks) as well as packet-switched services (e.g. IP-based networks). A flexible radio protocol has been designed where several different services such as speech, data and multimedia can simultaneously be used by a user and multiplexed on a single carrier. The defined radio bearer services provide support for both real-time and non-real-time services by employing transparent and/or non-transparent data transport. The QoS can be adjusted in terms such as delay, BER and FER.

The radio-interface specification includes enhanced features for High-Speed Downlink Packet Access (HSDPA) and improved L2 support for high data rates, allowing for downlink packet-data transmission with peak data rates of 2.8 Mbit/s, 10.2 Mbit/s and 20.4 Mbit/s for the 1.28 Mchip/s, 3.84 Mchip/s and 7.68 Mchip/s modes respectively, and for simultaneous high-speed packet data and other services such as speech on the single carrier. Multiple input multiple output antennas (MIMO), higher order modulation (64-QAM) allowing for downlink packet data transmission with peak data rates of 8.4Mbit/s on the single carrier for the 1.28 Mchip/s UTRA TDD mode. Multi-carrier HSDPA feature is also support allowing for downlink packet data transmission with peak data rates of $N \times 8.4$ Mbit/s for the 1.28 Mchip/s UTRA TDD mode, where N is the number of carriers for simultaneous transmission in the downlink. Features for enhanced uplink have been introduced, allowing for improved capacity and coverage, higher data rates, and reduced delay and delay variance for the uplink. The addition of Higher Order Modulation (16-QAM) for the enhanced uplink, allows for peak data rates up to 2.2 Mbit/s, 9.2 Mbit/s and 17.7 Mbit/s for the 1.28 Mchip/s, 3.84 Mchip/s and 7.68 Mchip/s modes respectively. The TDD radio interface is able to support enhanced uplink and high-speed downlink packet data services efficiently without the need for UE-dedicated radio resources thus allowing for low-overhead always-on connectivity and battery savings in the UE. For 1.28 Mchip/s UTRA TDD mode, for efficient support of always-on connectivity whilst enabling battery saving in the UE and further increasing the air interface

capacity, the specifications also include the continuous packet connectivity feature (CPC); improved L2 support for both uplink and downlink to allow efficient support of high data rates and reduced L2 overhead; For fast state transitions between different states, the specifications also include enhanced CELL_FACH state, supporting both HSDPA and enhanced uplink operation. The CS voice services are supported over HSPA. Support has been added for multi-frequency operation for the 1.28 Mchip/s UTRA TDD mode. In order to further improve the peak rate and throughput for both uplink and downlink for the 1.28Mchip/s UTRA TDD mode, the non-rectangular resource allocation for both uplink and downlink has been supported in Rel-11.

The radio access network architecture also provides support for Multimedia Broadcast and Multicast Services, i.e. allowing for multimedia content distribution to groups of users over a point-to-multipoint bearer. A transmission method for broadcast services using time-synchronised common waveform transmission from multiple cells and exhibiting high spectral efficiency has been introduced for the 1.28 Mchip/s, 3.84 Mchip/s and 7.68 Mchip/s TDD modes. QPSK and 16-QAM modulation are supported for this method. It is possible to time multiplex such point to multipoint transmissions with other (e.g. unicast) transmissions within the same TDD carrier, or to dedicate an entire TDD carrier for broadcast transmission.

CDMA TDD was originally specified for the IMT-2000 bands identified in WARC-92 and using 1 900-1 920 MHz and 2 010-2 025 MHz for both uplink and downlink operation. At WRC-2000 additional spectrum for IMT-2000 was also identified and then the relevant 3GPP specifications have been updated to also include the bands of 1 850-1 910 MHz; 1 910-1 930 MHz, 1 930-1 990 MHz, 3 400-3 600 MHz and 3 600-3 800 MHz for CDMA TDD.

Evolved-UTRA (E-UTRA) has been introduced for the evolution of the radio-access technology towards a high-data-rate, low-latency and packet-optimized radio-access technology. Note that in 3GPP terminology, the term E-UTRA (Evolved-UTRA) is also used to indicate the LTE radio interface.

The downlink transmission scheme is based on conventional OFDM to provide a high degree of robustness against channel frequency selectivity while still allowing for low-complexity receiver implementations also at very large bandwidths.

The uplink transmission scheme is based on SC-FDMA (Single carrier FDMA), more specifically Discrete Fourier Transform-spread OFDM (DFTS-OFDM). It also supports multi-cluster assignment of DFTS-OFDM. The use of DFTS-OFDM transmission for the uplink is motivated by the lower Peak-to-Average Power Ratio (PAPR) of the transmitted signal compared to conventional OFDM. This allows for more efficient usage of the power amplifier at the terminal, which translates into an increased coverage and/or reduced terminal power consumption. The uplink numerology is aligned with the downlink numerology.

Channel coding is based on rate-1/3 Turbo coding and is complemented by Hybrid-ARQ with soft combining to handle decoding errors at the receiver side. Data modulation supports QPSK, 16QAM, and 64QAM for both the downlink and the uplink.

The E-UTRA supports bandwidths from approximately 1.4 MHz to 100 MHz, yielding peak data rates up to roughly 3 Gbit/s in the downlink and 1.5 Gbit/s in the uplink. Carrier aggregation, i.e. the simultaneous transmission of multiple component carriers in parallel to/from the same terminal, is used to support bandwidths larger than 20 MHz. Component carriers do not have to be contiguous in frequency and can even be located in different frequency bands in order to enable exploitation of fragmented spectrum allocations by means of spectrum aggregation. Carrier Aggregation has been further enhanced in Rel-11 to support additional deployment scenarios. The enhancements include the possibility to aggregate TDD bands with different uplink-downlink configurations in different bands as well as the functionality to support multiple timing advancements.

Channel-dependent scheduling in both the time and frequency domains is supported for both downlink and uplink with the base-station scheduler being responsible for (dynamically) selecting the transmission resource as well as the data rate. The basic operation is dynamic scheduling, where the base-station scheduler takes a decision for each 1 ms Transmission Time Interval (TTI), but there is also a possibility for semi-persistent scheduling. Semi-persistent scheduling enables transmission resources and data rates to be semi-statically allocated to a given User Equipment (UE) for a longer time period than one TTI to reduce the control-signalling overhead.

Multi-antenna transmission schemes are an integral part of this radio interface. Multi-antenna precoding with dynamic rank adaptation supports both spatial multiplexing (single-user MIMO) and beam-forming. Spatial multiplexing with up to eight layers in the downlink and four layers in the uplink is supported. Multi-user MIMO, where multiple users are assigned the same time-frequency resources, is also supported. Finally, transmit diversity based on Space-Frequency Block Coding (SFBC) or a combination of SFBC and Frequency Switched Transmit Diversity (FSTD) is supported. Coordinated MultiPoint (CoMP) operation is also supported, where multiple transmission points or reception points are coordinated in their transmission or reception respectively.

Inter-cell interference coordination (ICIC), where neighbour cells exchange information aiding the scheduling in order to reduce interference, is supported. ICIC can be used for homogenous deployments with non-overlapping cells of similar transmission power, as well as for heterogeneous deployments where a higher-power cell overlays one or several lower-power nodes. In order to increase the potential of cell range expansion, Rel-11 added functionality for terminal-side interference mitigation of reference and synchronization signals as well as the broadcast channel.

Relaying functionality is included. The relay node (RN, Relay Node) appears as a conventional base station (e-Node B) to terminals but is wirelessly backhauled to the remaining part of the radio-access network (RN connects to an eNB called Donor eNB, DeNB) using a modified version of the E-UTRA radio interface.

SON (Self Organizing Networks) concept has been introduced and includes several different functions from eNB activation to radio parameter tuning for self-configuration /self-optimization functions. SON includes eNB self-configuration functions, that is Dynamic S1-MME/X2 interface configuration, PCI self-configuration, ANR (Automatic Neighbour Relations), PCI selection, and eNB self-optimisation functions, that is RACH optimisation, MLB (Mobility Load Balancing) and MRO (Mobility Robustness Optimisation).

SON has been extended to UTRAN as well, with the introduction of ANR UTRAN function. Inter-RAT self-configuration/optimisation functions are defined as well.

E-UTRAN supports a full set of services ranging from real-time to non real-time packet data services, including optimizations for support of emergency call VoIP and support for location services.

Further, the technology includes RF requirements for multicarrier and multi-RAT base stations (MSR) enabling support of all 3GPP based technologies operating in the same base station equipment.

Features are also included in support of Minimization of Drive Tests, by means of collection of UE-specific measurements using Control Plane architecture, for both UTRAN and E-UTRAN.

Network Based Positioning Support has been introduced by means of uplink positioning method, where the UE position is estimated based on timing measurements of uplink radio signals taken at different LMUs (Location Measurement Unit), along with knowledge of the geographical coordinates of the LMUs. The LMU makes measurements and communicates these measurements

to an E-SMLC (Enhanced Serving Mobile Location Centre). Both standalone LMU and LMU integrated into an eNB are supported.

NOTE 1 – Currently, these specifications are developed within the third generation partnership project (3GPP) where the participating SDOs are ARIB, ATIS, CCSA, ETSI, TTA and TTC.

NOTE 2 – The same name TD-SCDMA was previously used for one of the original proposals that was further refined following the harmonization process.

5.3.1.2 Radio access network architecture

The overall architecture of the Universal Terrestrial Radio Access Network (UTRAN) is shown in Fig. 33.

The architecture of the radio access network consists of a set of radio network subsystems (RNS) connected to the core network through the Iu interface.

An RNS consists of a radio network controller (RNC) and one or more entities called Node B. The Node B is connected to the RNC through the Iub interface. Node B can handle one or more cells.

The RNC is responsible for the handover decisions that require signalling to the user equipment (UE).

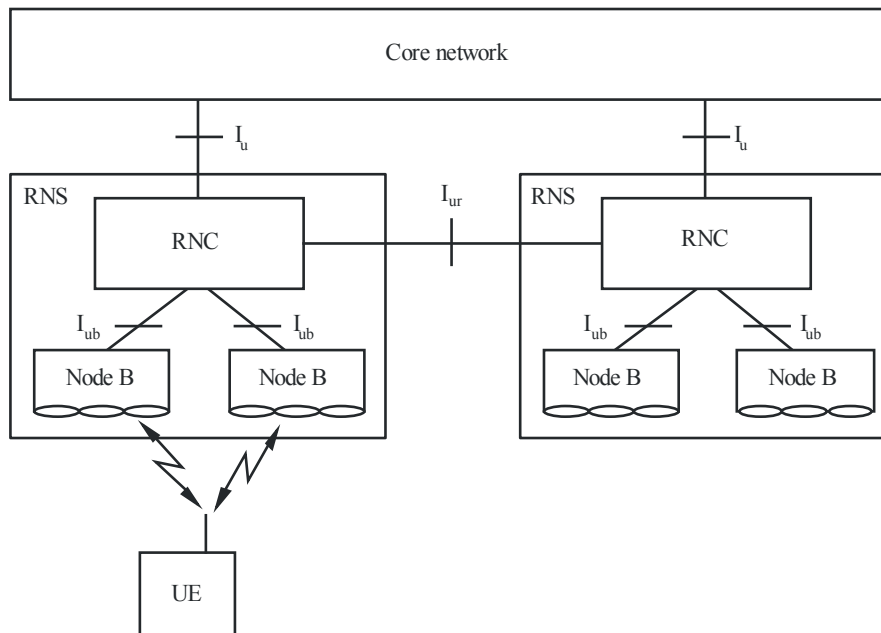
The RNCs of the RNS can be interconnected together through the Iur interface. Iu and Iur are logical interfaces, i.e. the Iur interface can be conveyed over a direct physical connection between RNCs or via any suitable transport network.

UTRAN architecture includes the HNB GW entity, in case of HNBs deployment. The HNB-GW appears to the CN as an RNC and serves as a concentrator of HNB connections.

Figure 34 shows the radio interface protocol architecture for the radio access network. On a general level, the protocol architecture is similar to the current ITU-R protocol architecture as described in Recommendation ITU-R M.1035. Layer 2 (L2) is split into the following sub-layers; RLC, MAC, Packet Data Convergence Protocol (PDCP) and Broadcast/Multicast Control (BMC). Layer 3 (L3) and RLC are divided into Control (C-) and User (U-) planes.

In the C-plane, L3 is partitioned into sub-layers where the lowest sub-layer, denoted as RRC, interfaces with L2. The higher layer signalling such as MM and CC are assumed to belong to the core network. There are no L3 elements in UTRAN for the U-plane.

FIGURE 33
UTRAN architecture
 (Cells are indicated by ellipses)



M.1457-33

Each block in Fig. 34 represents an instance of the respective protocol. Service access points (SAPs) for peer-to-peer communication are marked with circles at the interface between sub-layers.

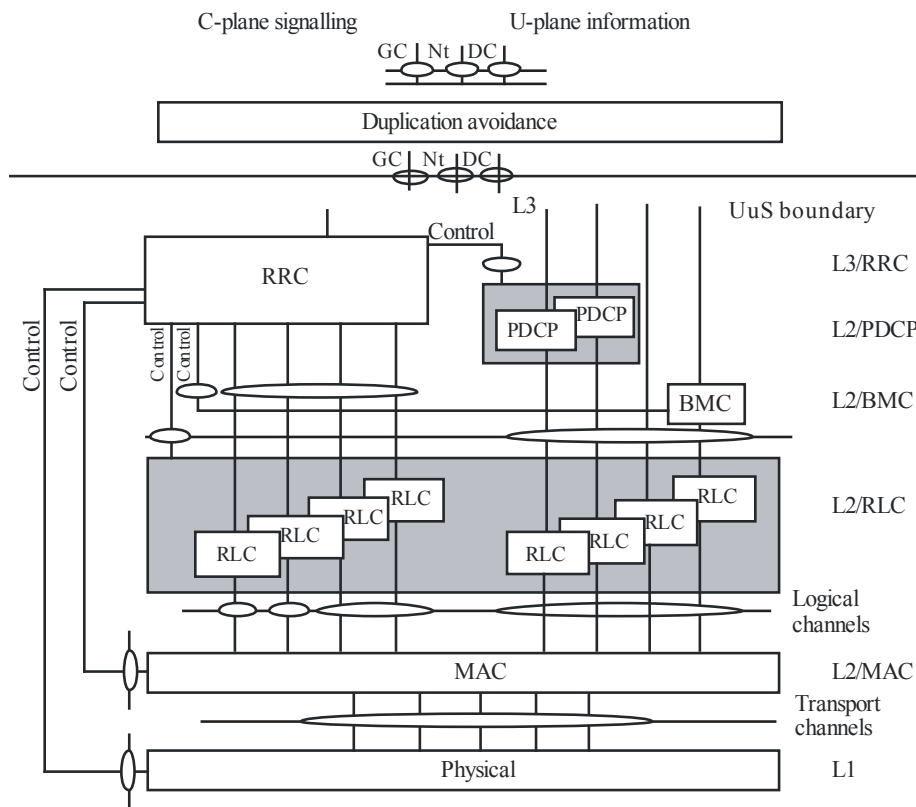
The SAP between MAC and the physical layer provides the transport channels. A transport channel is characterized by how the information is transferred over the radio interface (see §§ 5.3.1.3.1.2 and 5.3.1.3.2.2 for an overview of the types of transport channels defined).

The SAPs between RLC and the MAC sub-layer provide the logical channels. A logical channel is characterized by the type of information that is transferred over the radio interface. The logical channels are divided into control channels and traffic channels. The different types of logical channels are not further described in this overview. The physical layer generates the physical channels that will be transmitted over the air. The physical channel in each TDD option (1.28 Mchip/s, 3.84 Mchip/s, 7.68 Mchip/s) is defined by carrier frequency, code, time slot and multi-frame information. In the C-plane, the interface between RRC and higher L3 sub-layers (CC, MM) is defined by the GC, Nt and DC SAPs. These SAPs are not further discussed in this overview.

Also shown in the figure are connections between RRC and MAC as well as RRC and L1 providing local inter-layer control services (including measurement results). An equivalent control interface exists between RRC and the RLC sub-layer. These interfaces allow the RRC to control the configuration of the lower layers. For this purpose separate control SAPs are defined between RRC and each lower layer (RLC, MAC, and L1).

FIGURE 34

Radio interface protocol architecture of the RRC sublayer L2 and L1



M.1457-34

Figure 35 shows the general structure and some additional terminology definitions of the channel formats at the various sub-layer interfaces indicated in Fig. 34. The figure indicates how higher layer SDUs and PDUs are segmented and multiplexed to transport blocks to be further treated by the physical layer (e.g. CRC handling). The transmission chain of the physical layer is exemplified in the next section.

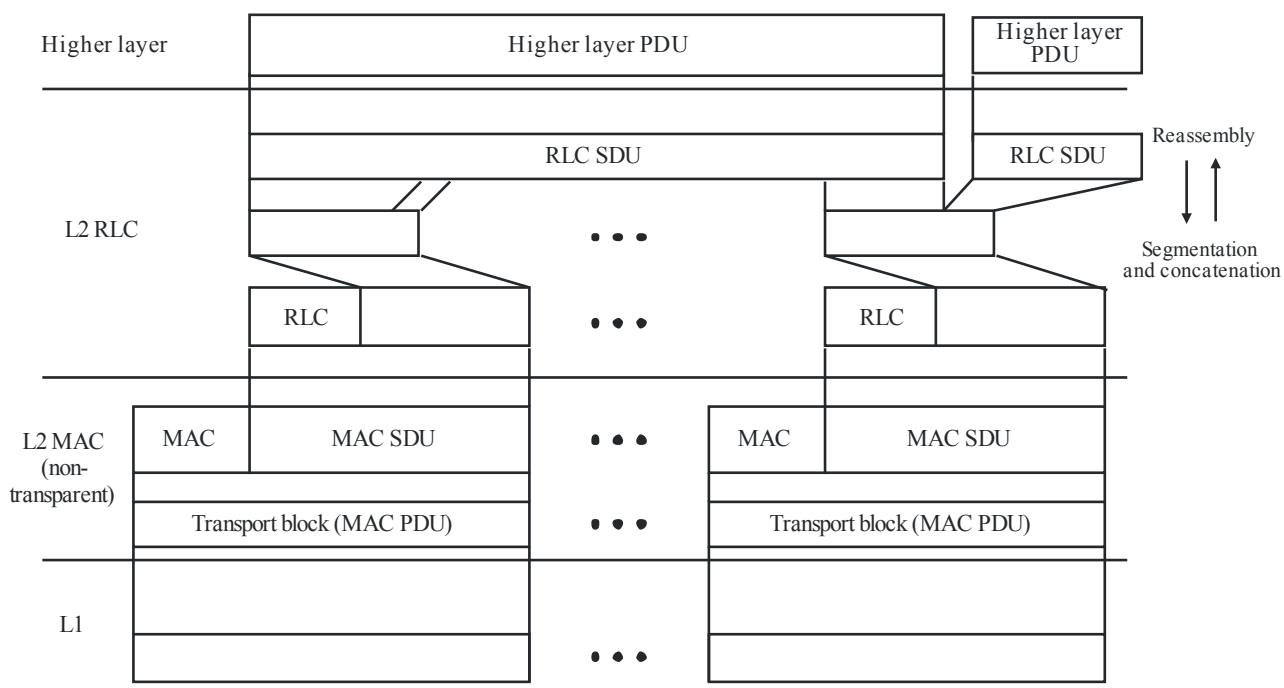
The Evolved UTRAN (E-UTRAN) has a flat architecture with a single type of node, the *eNodeB*, which is responsible for all radio-related functions in one or several cells, providing the user plane (PDCP/RLC/MAC/PHY) and control plane (RRC) protocol terminations towards the UE.

The eNBs are interconnected with each other by means of the X2 interface. The eNBs are also connected by means of the S1 interface to the EPC (Evolved Packet Core), more specifically to the MME (Mobility Management Entity) by means of the S1-MME and to the SAE Gateway by means of the S1-U. The S1 interface supports a many-to-many relation between MMEs/SAE Gateways and eNBs.

The E-UTRAN architecture may deploy a Home eNB Gateway (HeNB GW) to allow the S1 interface between the HeNB and the EPC to support a large number of HeNBs in a scalable manner. The HeNB GW serves as a concentrator for the C-Plane, specifically the S1-MME interface. The S1-U interface from the HeNB may be terminated at the HeNB GW, or a direct logical U-Plane connection between HeNB and S-GW may be used.

FIGURE 35

Data flow for a service using a non-transparent RLC and non-transparent MAC (see §§ 5.3.1.4.1 and 5.3.1.4.2 for further definitions of the MAC and RLC services and functionality)

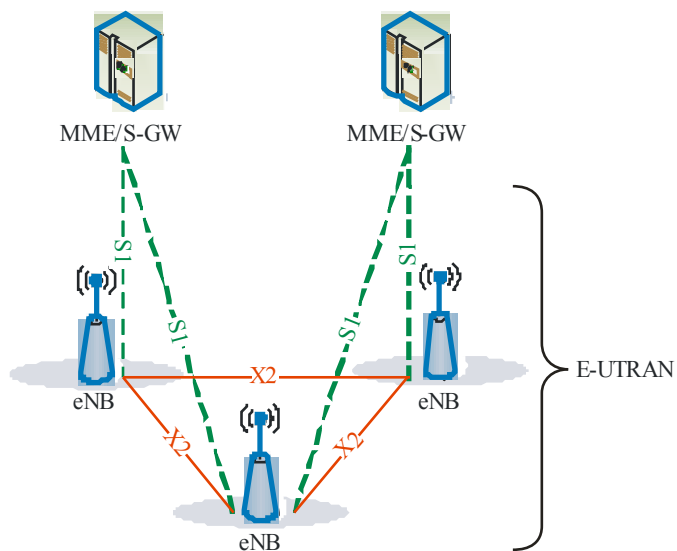


M.1457-35

The E-UTRAN architecture (not including HeNB GW and RNs) is illustrated in Fig. 36.

FIGURE 36

Overall architecture



M.1457-36

The eNB hosts the following functions:

- functions for Radio Resource Management: Radio Bearer Control, Radio Admission Control, Connection Mobility Control, Dynamic allocation of resources to UEs in both uplink and downlink (scheduling);
- IP header compression and encryption of user data stream;
- selection of an MME at UE attachment when no routing to an MME can be determined from the information provided by the UE;
- routing of User Plane data towards SAE Gateway;
- scheduling and transmission of paging messages (originated from the MME);
- scheduling and transmission of broadcast information (originated from the MME or O&M);
- measurement and measurement reporting configuration for mobility and scheduling
- scheduling and transmission of PWS (which includes ETWS and CMAS) messages (originated from the MME);
- CSG handling;
- Transport level packet marking in the uplink.

The DeNB hosts the following functions in addition to the eNB functions:

- S1/X2 proxy functionality for supporting RNs;
- S11 termination and S-GW/P-GW functionality for supporting RNs.

The MME hosts the following functions:

- NAS signalling;
- NAS signalling security;
- inter CN node signalling for mobility between 3GPP access networks;
- idle mode UE Reachability (including control and execution of paging retransmission);
- tracking area list management (for UE in idle and active mode);
- PDN GW and Serving GW selection;
- MME selection for handovers with MME change;
- SGSN selection for handovers to 2G or 3G 3GPP access networks;
- roaming;
- authentication;
- bearer management functions including dedicated bearer establishment.

The S-GW hosts the following functions:

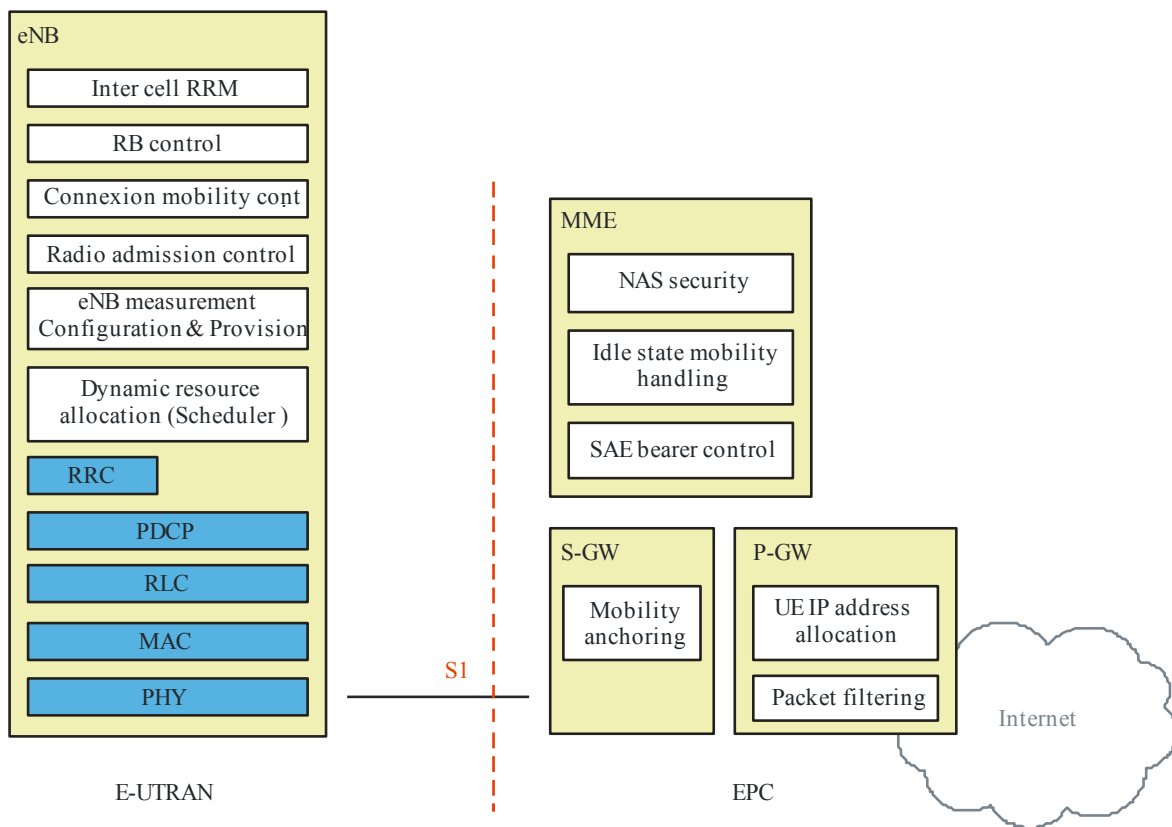
- the local Mobility Anchor point for inter-eNB handover;
- mobility anchoring for inter-3GPP mobility;
- E-UTRAN idle mode downlink packet buffering and initiation of network triggered service request procedure;
- lawful Interception;
- packet routing and forwarding;
- transport level packet marking in the uplink and the downlink;
- accounting on user and QCI granularity for inter-operator charging;
- UL and DL charging per UE, PDN, and QCI.

The PDN Gateway (P-GW) hosts the following functions (see 3GPP TS 23.401 [17]):

- per-user based packet filtering (by, e.g. deep packet inspection);
- lawful Interception;
- UE IP address allocation;
- transport level packet marking in the downlink;
- UL and DL service level charging, gating and rate enforcement;
- DL rate enforcement based on AMBR.

This is summarized in Fig. 37 where yellow boxes depict the logical nodes, white boxes depict the functional entities of the control plane and blue boxes depict the radio protocol layers.

FIGURE 37
Overall architecture of the E-UTRAN radio access network



M.1457-37

5.3.1.3 Physical layer

5.3.1.3.1 UTRA TDD (3.84 Mchip/s and 7.68 Mchip/s TDD options)

5.3.1.3.1.1 Physical layer functionality and building blocks

For UTRA, the physical layer includes the following functionality:

- Error detection on transport channels and indication to higher layers.
- FEC encoding/decoding of transport channels.
- Multiplexing of transport channels and demultiplexing of coded composite transport channels.

- Rate matching (data multiplexed on dedicated and shared channels).
- Mapping of coded composite transport channels on physical channels.
- Modulation and demodulation of physical channels.
- Spreading and despreading of physical channels.
- Radio characteristics measurements including FER, signal-to-interference (SIR), interference power level, etc. and indication to higher layers.
- Frequency and time (chip, bit, slot, frame) synchronization.
- Power weighting and combining of physical channels.
- Closed-loop power control for downlink.
- RF processing.
- Support of UE positioning methods.
- Beamforming.
- Support of timing advance on uplink channels.
- Support of a Node B synchronization method over the air (not supported for the 7.68 Mchip/s option).

Figure 38 gives the physical layer transmission chain for the UTRA user plane data, i.e. from the level of transport channels down to the level of physical channel. The figure shows how several transport channels can be multiplexed onto one or more DPDCH.

The CRC provides for error detection of the transport blocks for the particular transport channel. The CRC can take the length zero (no CRC), 8, 12, 16 or 24 bits depending on the service requirements.

The transport block concatenation and code block segmentation functionality performs serial concatenation of those transport blocks that will be sent in one transmission time interval and any code block segmentation if necessary.

The types of channel coding defined are convolutional coding, turbo coding and no coding. Realtime services use only FEC encoding while non-real-time services uses a combination of FEC and ARQ. The ARQ functionality resides in the RLC sub-layer of Layer 2. The convolutional coding rates are 1/2 or 1/3 while the rate is 1/3 for turbo codes.

The possible interleaving depths are 10, 20, 40 or 80 ms.

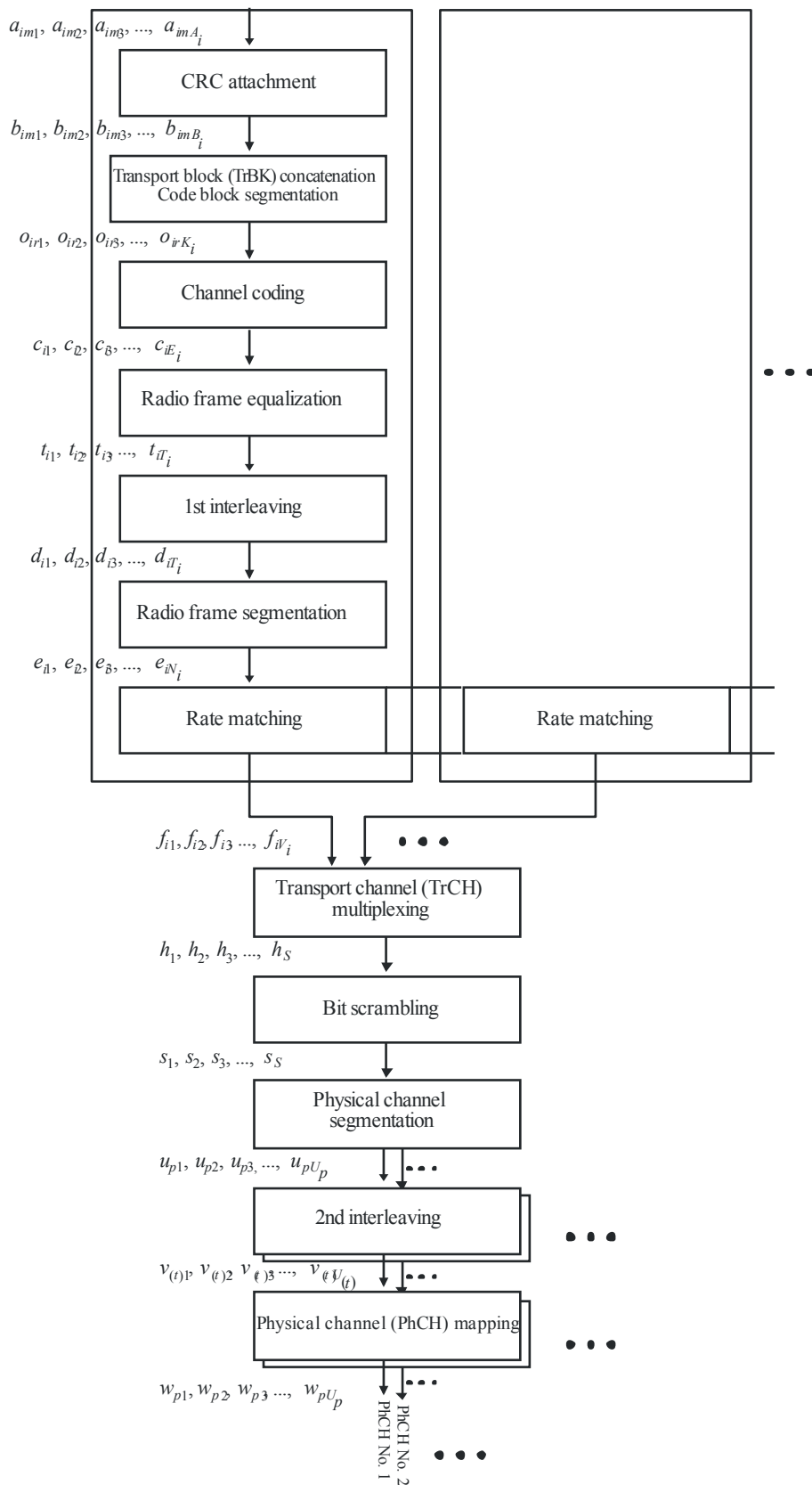
The radio frame segmentation performs padding of bits. The rate matching adapts any remaining differences of the bit rate so the number of outgoing bits fit to the available bit rates of the physical channels. Repetition coding and/or puncturing is used for this purpose.

The TrCH multiplexing stage combines transport channels in a serial fashion. This is done every 10 ms. The output of this operation is also called coded composite transport channels.

If several physical channels will be used to transmit the data, the split is made in the physical channel segmentation unit.

FIGURE 38

Transport channel multiplexing structure



5.3.1.3.1.2 Transport channels

The interface to the MAC sub-layer is the transport channels, see Fig. 34. The transport channels define how and with which type of characteristics the data is transferred by the physical layer. They are categorized into dedicated channels or common channels where many UEs are sharing the latter type. Introducing an information field containing the address then does the address resolution, if needed. The physical channel itself defines a dedicated channel. Thus no specific address is needed for the UE. Table 1 summarizes the different types of available transport channels.

TABLE 1
The defined transport channels

| Transport channel | Type and direction | Used for |
|--|--------------------------------|---|
| DCH (Dedicated channel) | Dedicated; uplink and downlink | User or control information to a UE (entire cell or part of cell (lobe-forming)) |
| BCH (Broadcast channel) | Common; downlink | Broadcast system and cell specific information |
| FACH (Forward access channel) | Common; downlink | Control information when system knows UE location or short user packets to a UE |
| PCH (Paging channel) | Common; downlink | Control information to UEs when good sleep mode properties are needed, e.g. idle mode operation |
| RACH (Random access channel) | Common; uplink | Control information or short user packets from an UE |
| USCH (Uplink shared channel) | Common; uplink | Carries dedicated user data and control information using a shared channel |
| E-DCH | Common; uplink | An uplink channel serving several UEs carrying dedicated control or traffic data. E-DCH offers the possibility for high-speed uplink packet access through the support of higher-order modulation, adaptive modulation and coding, fast scheduling, and hybrid ARQ with soft combining |
| DSCH (Downlink shared channel) | Common; downlink | Carries dedicated user data and control information using a shared channel. |
| HS-DSCH (High Speed Downlink shared channel) | Common; downlink | A downlink channel serving several UEs carrying dedicated control or traffic data. HS-DSCH offers the possibility for high-speed downlink packet access through the support of higher-order modulation, adaptive modulation and coding, fast channel-dependent scheduling, and hybrid ARQ with soft combining |

The RACH on the uplink is contention-based while the DCH is reservation-based.

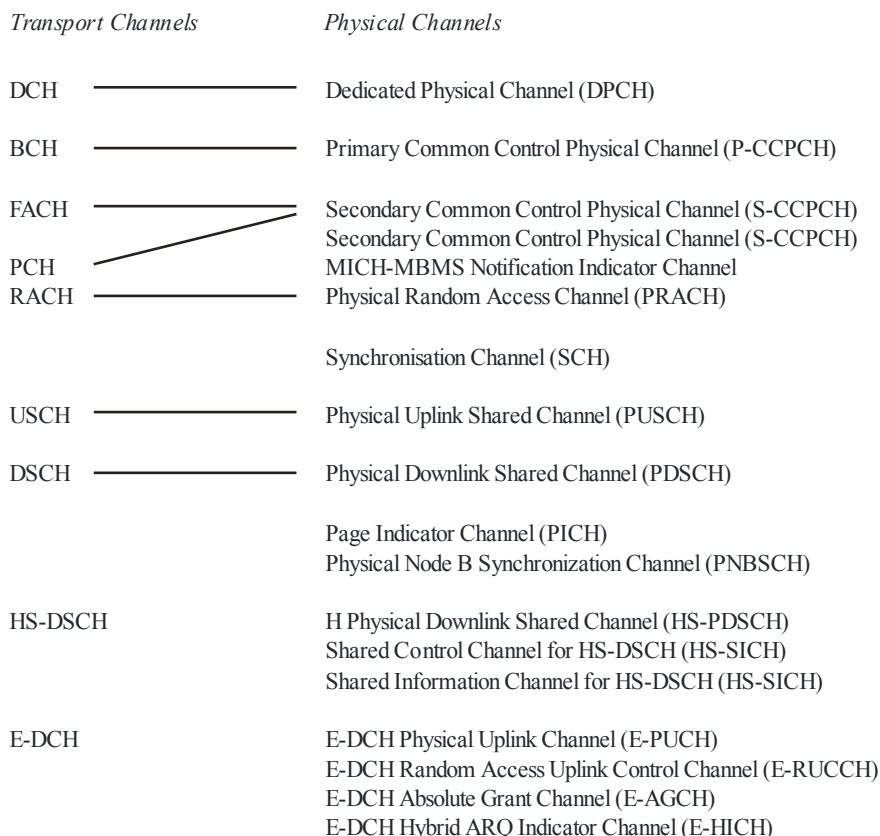
On each transport channel, a number of Transport Blocks are delivered to/from the physical layer once every Transmission Time Interval (TTI). To each transport channel, there is an associated Transport Format or set of transport formats. The transport format describes the physical properties of the transport channel, such as the TTI, the number of transport blocks per TTI, the number of bits per transport blocks, the coding scheme and coding rate, and the modulation scheme.

5.3.1.3.1.3 Transport channels to physical channel mapping

The transport channels are mapped onto the physical channels and Fig. 39 shows the different physical channels and summarizes the mapping of transport channels onto physical channels for

UTRA. Each UTRA physical channel has its tailored slot content. The DCH is shown in § 5.3.1.3.1.4.

FIGURE 39
Transport channels, physical channels and their mapping

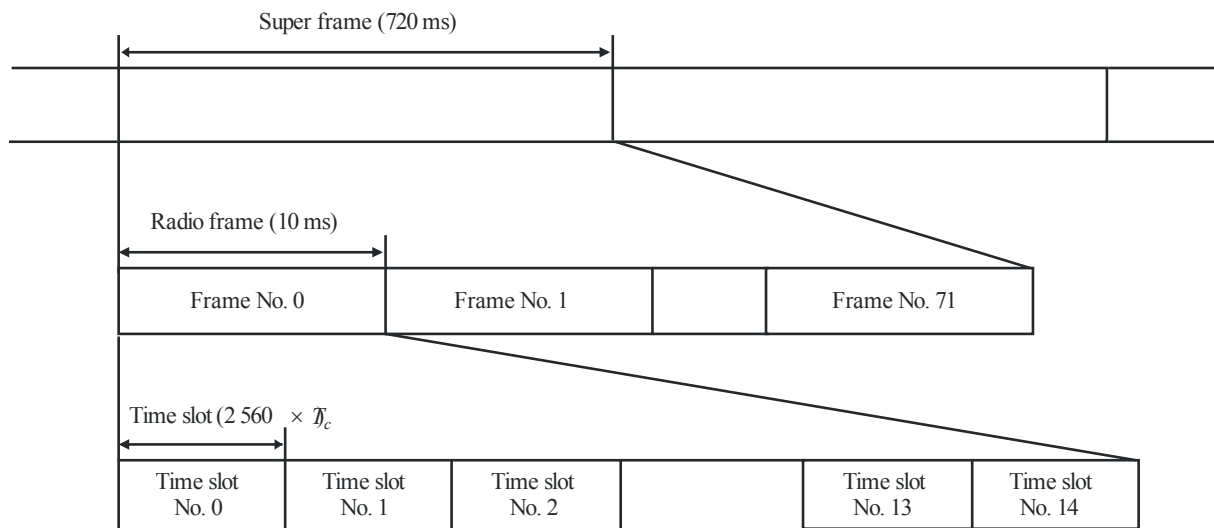


M.1457-39

5.3.1.3.1.4 Physical frame structure

The basic physical frame rate is 10 ms with 15 slots. Figure 40 shows the frame structure.

FIGURE 40

Basic frame structure

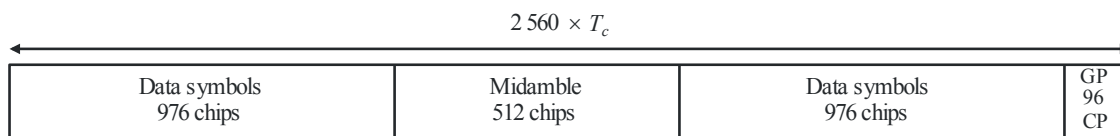
M.1457-40

Each 10 ms frame consists of 15 time slots, each allocated to either the uplink or the downlink. With such a flexibility, this radio interface can be adapted to different environments and deployment scenarios. In any configuration at least one time slot has to be allocated for the downlink and at least one time slot has to be allocated for the uplink.

Figures 41, 42 and 43 show the three burst formats stating the content for a slot used by a DCH for 3.84 Mchip/s TDD. The usage of either burst format 1, 2 or 3 is depending on the application for UL or DL type 3 for uplink only) and the number of allocated users per time slot.

FIGURE 41

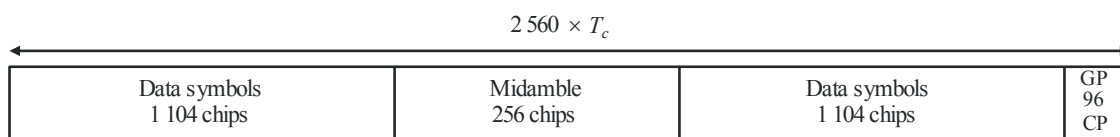
Burst structure of the burst type 1
(GP denotes the guard period and CP the chip periods)



M.1457-41

FIGURE 42

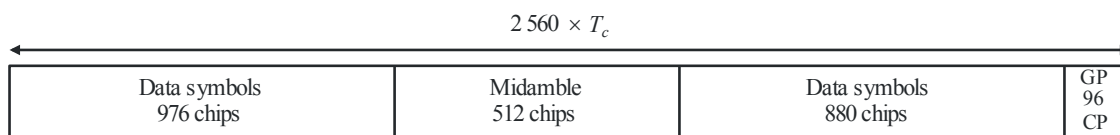
Burst structure of the burst type 2
(GP denotes the guard period and CP the chip periods)



M.1457-42

FIGURE 43

Burst structure of the burst type 3
(GP denotes the guard period and CP the chip periods)



M.1457-43

In both cases data bits are QPSK or 16-QAM modulated and the resulting symbols are spread with a channelization code of length 1 to 16 (for the DL, only 1 and 16 apply). Due to this variable spreading factor, each burst provides the number of symbols as shown in Table 2 for the 3.84 Mchip/s option.

Thus, the number of bits per TDD burst in the 3.84 Mchip/s TDD option is two or four times the number shown in Table 2 depending on the applied modulation. Usage of multicode and multiple time slots can be applied.

For the 7.68 Mchip/s TDD option, the same burst structures as for the 3.84 Mchip/s option are employed but with a corresponding doubling in the number of chips per field within the burst. Additionally, the range of spreading factors is extended to provide for spreading factor 32. Thus, channelization codes with lengths ranging between 1 and 32 are used to spread the modulation symbols (for the DL, only 1 and 32). The number of bits per TDD burst in the 7.68 Mchip/s TDD option is shown in Table 3. As for the 3.84 Mchip/s option, usage of multicode and multiple time slots can be applied.

TABLE 2

Number of data symbols in TDD bursts in 3.84 Mchip/s TDD option

| Spreading factor, Q | Number of symbols, N , for Burst type 1 | Number of symbols, N , for Burst type 2 | Number of symbols, N , for Burst type 3 |
|-----------------------|--|--|--|
| 1 | 1 952 | 2 208 | 1 856 |
| 2 | 976 | 1 104 | 928 |
| 4 | 488 | 552 | 464 |
| 8 | 244 | 276 | 232 |
| 16 | 122 | 138 | 116 |

TABLE 3

Number of data symbols in TDD bursts in the 7.68 Mchip/s TDD option

| Spreading factor, Q | Number of symbols, N , for Burst type 1 | Number of symbols, N , for Burst type 2 | Number of symbols, N , for Burst type 3 |
|-----------------------|--|--|--|
| 1 | 3 904 | 4 416 | 3 712 |
| 2 | 1 952 | 2 208 | 1 856 |
| 4 | 976 | 1 104 | 928 |
| 8 | 488 | 552 | 464 |
| 16 | 244 | 276 | 232 |
| 32 | 122 | 138 | 116 |

Downlink and uplink transmissions are organized into radio frames with $T_f = 307200 \times T_s = 10$ ms duration.

5.3.1.3.1.5 Spreading, modulation and pulse shaping

Spreading is applied after modulation and before pulse shaping. It consists of two operations. The first is the channelization operation, which transforms every data symbol into a number of chips, thus increasing the bandwidth of the signal. The number of chips per data symbol is called the spreading factor (SF) and is in the range of 1 to 16 for 3.84 Mchip/s TDD and in the range 1 to 32 for 7.68 Mchip/s TDD. The second operation is the scrambling operation, where a scrambling code is applied to the spread signal. This procedure is similar to the radio interface specified in § 5.1, but it should be noted that the midamble part in TDD bursts (see Figs 41, 42 and 43) is not spread.

The applied channelization codes are OVFSF-codes that preserve the distinguishability of different users. The applied scrambling code is cell-specific and 128 different scrambling codes are available.

In the uplink, the applied midamble is user specific and derived from a cell-specific basic midamble sequence. In the downlink, the applied midamble is either user specific, code specific (default) or common for the whole cell. In each case 128 different basic midamble sequences are available.

After spreading the same pulse-shaping is applied as in FDD mode, i.e. the filters are root-raised cosine with roll-off $\alpha = 0.22$ in the frequency domain.

Downlink spreading for downlink physical channels other than the downlink DPCH is very similar. For the physical channel to which HS-DSCH and E-DCH are mapped, 16-QAM can be used in addition to QPSK.

5.3.1.3.2 UTRA TDD (1.28 Mcchip/s TDD option)

5.3.1.3.2.1 Physical layer functionality and building blocks

The physical layer includes the following functionality:

- Error detection on transport channels and indication to higher layers.
- Forward error control (FEC) encoding/decoding of transport channels.
- Multiplexing of transport channels and demultiplexing of coded composite transport channels.
- Rate matching (data multiplexed on dedicated and shared channels).
- Mapping of coded composite transport channels on physical channels.
- Modulation and demodulation of physical channels.
- Spreading and despreading of physical channels.
- Radio characteristics measurements including FER, SIR, DOA, timing advance, handover measurements, etc.
- Frequency and time (chip, bit, time slot, subframe) synchronization.
- Power weighting and combining of physical channels.
- Power control.
- RF processing.
- UE location/positioning (smart antenna).
- Beamforming for both uplink and downlink (Smart antenna).
- Macrodiversity distribution/combining and handover execution (excluding E-UTRAN).
- Uplink synchronization.
- Random access process.
- Subframe segmentation.

Figure 44 gives the physical layer transmission chain for the user plane data, i.e. from the level of transport channels down to the level of physical channel. Figure 44 shows how several transport channels can be multiplexed onto one or more dedicated physical channels (DPCH).

The CRC provides for error detection of the transport blocks for the particular transport channel. The CRC can take the length zero (no CRC), 8, 12, 16 or 24 bits depending on the service requirements.

The transport block concatenation and code block segmentation functionality performs serial concatenation of those transport blocks that will be sent in one transmission time interval and any code block segmentation if necessary.

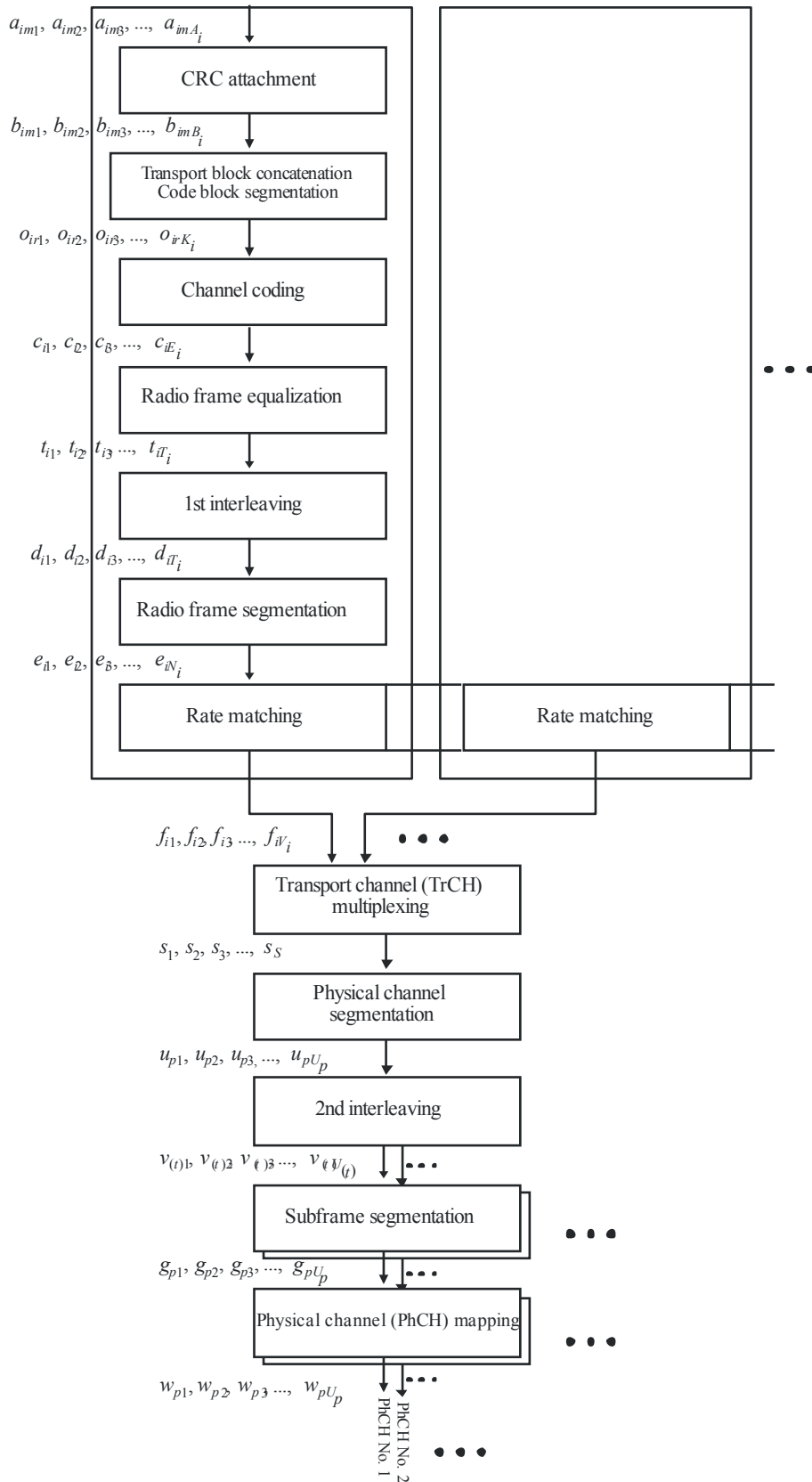
The types of channel coding defined are convolutional coding, turbo coding and no coding. Real-time services use only FEC encoding while non-real-time services uses a combination of FEC and ARQ. The ARQ functionality resides in the RLC sub-layer of Layer 2. The convolutional coding rates are 1/2 or 1/3 while the rate is 1/3 for turbo codes.

The possible interleaving depths are 10, 20, 40 or 80 ms, for the RACH also 5 ms may apply. The radio frame equalization performs padding of bits. The rate matching adapts any remaining differences of the bit rate so the number of outgoing bits fit to the available bit rates of the physical channels. Repetition coding and/or puncturing is used for this purpose.

The TrCH multiplexing stage combines transport channels in a serial fashion. This is done every 10 ms. The output of this operation is also called coded composite transport channels.

FIGURE 44

Transport channel multiplexing structure



If several physical channels will be used to transmit the data, the split is made in the physical channel segmentation unit.

5.3.1.3.2.2 Transport channels

The interface to the MAC sub-layer is the transport channels, see Fig. 38. The transport channels define how and with which type of characteristics the data is transferred by the physical layer. They are categorized into DCH or common channels where many UEs are sharing the latter type. Introducing an information field containing the address then does the address resolution, if needed. The physical channel itself defines a DCH. Thus no specific address is needed for the UE. Table 4 summarizes the different types of available transport channels.

TABLE 4
The defined transport channels

| Transport channel | Type and direction | Used for |
|--|--------------------------------|---|
| DCH (dedicated channel) | Dedicated; uplink and downlink | User or control information to a UE (entire cell or part of cell (lobe-forming)) |
| BCH (broadcast channel) | Common; downlink | Broadcast system and cell specific information |
| FACH (forward access channel) | Common; downlink | Control information when system knows UE location or short user packets to a UE |
| PCH (paging channel) | Common; downlink | Control information to UEs when good sleep mode properties are needed, e.g. idle mode operation |
| RACH (random access channel) | Common; uplink | Control information or short user packets from an UE |
| DSCH (downlink shared channel) | Common; downlink | Carries dedicated user data and control information using a shared channel |
| HS-DSCH (high Speed Downlink shared channel) | Common; downlink | A downlink channel serving several Ues carrying dedicated control or traffic data. HS-DSCH offers the possibility for high-speed downlink packet access through the support of higher-order modulation, adaptive modulation and coding, fast channel-dependent scheduling, and hybrid ARQ with soft combining |
| USCH (uplink shared channel) | Common; uplink | Carries dedicated user data and control information using a shared channel |
| E-DCH | Common; uplink | An uplink channel serving several UEs carrying dedicated control or traffic data. E-DCH offers the possibility for high-speed uplink packet access through the support of higher-order modulation, adaptive modulation and coding, fast scheduling, and hybrid ARQ with soft combining |

The RACH on the uplink is contention-based while the DCH is reservation-based.

On each transport channel, a number of Transport Blocks are delivered to/from the physical layer once every Transmission Time Interval (TTI). To each transport channel, there is an associated Transport Format or set of transport formats. The transport format describes the physical properties of the transport channel, such as the TTI, the number of transport blocks per TTI, the number of bits per transport blocks, the coding scheme and coding rate, and the modulation scheme.

5.3.1.3.2.3 Transport channels to physical channel mapping

The transport channels are mapped onto the physical channels and Fig. 45 shows the different physical channels and summarizes the mapping of transport channels onto physical channels. Each physical channel has its tailored slot content. The DCH is shown in § 5.3.1.3.2.4.

FIGURE 45

Transport channel, physical channel and their mapping

| Transport channels | Physical channels |
|--------------------|--|
| DCH | Dedicated physical channel (DPCH) |
| BCH | Primary common control physical channels (P-CCPCH) |
| PCH | Secondary common control physical channels (S-CCPCH) |
| FACH | Secondary common control physical channels (S-CCPCH) |
| | MBMS notification indicator channel (MICH) |
| RACH | Physical random access channel (PRACH) |
| USCH | Physical uplink shared channel (PUSCH) |
| DSCH | Physical downlink shared channel (PDSCH) |
| HS-DSCH | High-speed-physical downlink shared channel (HS-PDSCH) |
| | Shared control channel for HS-DSCH (HS-SCCH) |
| | Shared information channel for HS-DSCH (HS-SICH) |
| | Downlink pilot channel (DwPCH) |
| | Uplink pilot channel (UpPCH) |
| | Fast physical access channel (FPACH) |
| | Paging indicator channel (PICH) |
| E-DCH | E-DCH physical uplink channel (E-PUCH) |
| | E-DCH random access uplink control channel (E-RUCCH) |
| | E-DCH absolute grant channel (E-AGCH) |
| | E-DCH hybrid ARQ indicator channel (E-HICH) |

M.1457-45

5.3.1.3.2.4 Frame structure

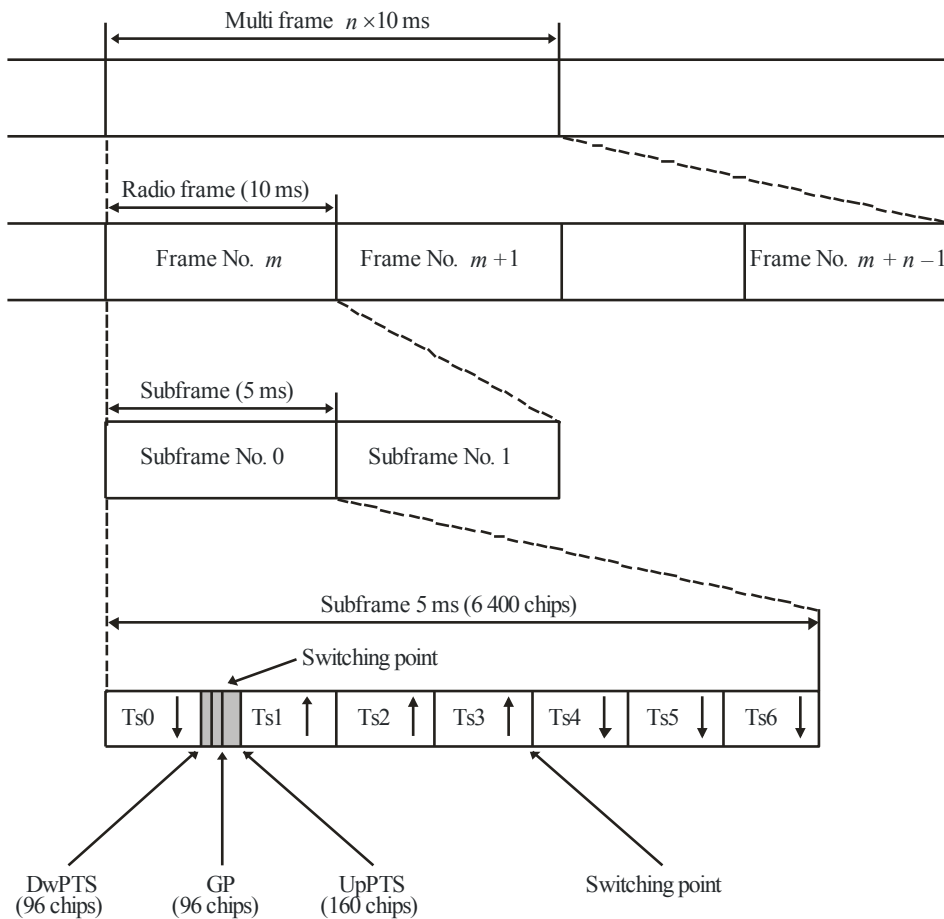
The frame structure is shown in Fig. 46. Physical channels take four-layer structure of multi-frames, radio frames, sub-frames and time slots/codes. The radio frame has a duration of 10 ms and is subdivided into 2 sub-frames of 5 ms each, and each sub-frame is then subdivided into 7 traffic time slots of 675 μ s duration each and 3 special time slots: DwPTS (downlink pilot timeslot), GP (guard period) and UpPTS (uplink pilot timeslot).

The burst structure is shown in Fig. 47. The burst type consists of two data symbol fields, a midamble of 144 chips and a guard period of 16 chips. The data fields of the burst type are 704 chips long. The data bits in the burst are QPSK modulated and are spread by the spreading

factor of 1 to 16 in the UL and with the spreading factors 1 or 16 in the DL. The guard period is 16 chips long. 8-PSK and 16-QAM modulation may optionally be applied.

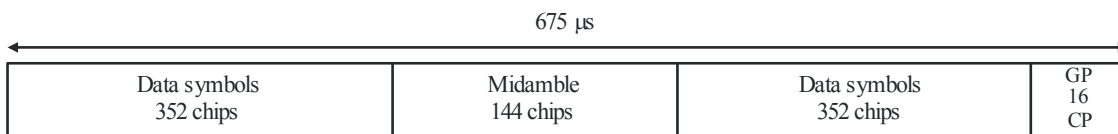
The corresponding number of symbols depends on the spreading factor as indicated in Table 5.

FIGURE 46
Frame structure



M.1457-46

FIGURE 47
Burst structure



M.1457-47

TABLE 5

Number of data symbols in one burst with different SF in the 1.28 Mchip/s TDD option

| Spreading factor, Q | Number of symbols, N , per data field in the burst |
|-----------------------|--|
| 1 | 352 |
| 2 | 176 |
| 4 | 88 |
| 8 | 44 |
| 16 | 22 |

5.3.1.3.2.5 Spreading, modulation and pulse shaping

Spreading is applied after modulation and before pulse shaping. It consists of two operations. The first is the channelization operation, which transforms every data symbol into a number of chips, thus increasing the bandwidth of the signal. The number of chips per data symbol is called the SF and is in the range of 1 to 16. The second operation is the scrambling operation, where a scrambling code is applied to the spread signal. It should be noted that the midamble part in TDD bursts is not spread.

The applied channelization codes are OVFSF-codes that preserve the distinguishability of different users. The applied scrambling code is cell-specific.

In the uplink, the applied midamble is user specific and derived from a cell-specific basic midamble sequence. In the downlink, the applied midamble is either user specific, code specific (default) or common for the whole cell.

After spreading, pulse-shaping is applied, i.e. the filters are root-raised cosine with roll-off $\alpha = 0.22$ in the frequency domain.

5.3.1.3.2.6 Transmission and reception

The frequency bands assumed for operation are unpaired frequency bands at 2 GHz. Also the system can work in other frequency bands available. Several Tx power classes for UE are being defined currently.

5.3.1.3.3 E-UTRA TDD

5.3.1.3.3.1 Physical layer functionality and building blocks

For E-UTRA the physical layer includes the following functionality:

- Error detection on the transport channel and indication to higher layers;
- FEC encoding/decoding of the transport channel;
- Hybrid ARQ soft-combining;
- Rate matching of the coded transport channel to physical channels;
- Mapping of the coded transport channel onto physical channels;
- Power weighting of physical channels;
- Modulation and demodulation of physical channels;
- Frequency and time synchronisation;
- Radio characteristics measurements and indication to higher layers;
- Multiple Input Multiple Output (MIMO) antenna processing;

- Transmit Diversity (TX diversity);
- Beamforming;
- RF processing;
- Frequency domain multiplexing with users;
- Single frequency combining from multiple cells.

5.3.1.3.3.2 Transport channels

For E-UTRAN, the following transport channels are defined.

Downlink transport channel types are:

- Broadcast Channel (BCH) characterized by:
 - fixed, pre-defined transport format;
 - requirement to be broadcast in the entire coverage area of the cell.
- Downlink Shared Channel (DL-SCH) characterized by:
 - support for HARQ;
 - support for dynamic link adaptation by varying the modulation, coding and transmit power;
 - possibility to be broadcast in the entire cell;
 - possibility to use beamforming;
 - support for both dynamic and semi-static resource allocation;
 - support for UE discontinuous reception (DRX) to enable UE power saving;
 - support for MBMS transmission (FFS).
- Paging Channel (PCH) characterized by:
 - support for UE discontinuous reception (DRX) to enable UE power saving (DRX cycle is indicated by the network to the UE);
 - requirement to be broadcast in the entire coverage area of the cell;
 - mapped to physical resources which can be used dynamically also for traffic/other control channels.
- Multicast Channel (MCH) characterized by:
 - requirement to be broadcast in the entire coverage area of the cell;
 - support for SFN combining of MBMS transmission on multiple cells;
 - support for semi-static resource allocation, e.g. with a time-frame of a long cyclic prefix.

Uplink transport channel types are:

- Uplink Shared Channel (UL-SCH) characterized by:
 - possibility to use beamforming (likely no impact on specifications);
 - support for dynamic link adaptation by varying the transmit power and potentially modulation and coding;
 - support for HARQ;
 - support for both dynamic and semi-static resource allocation.
- Random Access Channel(s) (RACH) characterized by:

- limited control information;
- collision risk.

Figure 47A gives the physical transmission chain for the E-UTRA UL-SCH and DL-SCH transport channels (top and bottom respectively).

The following coding steps can be identified for each transport block of an UL cell:

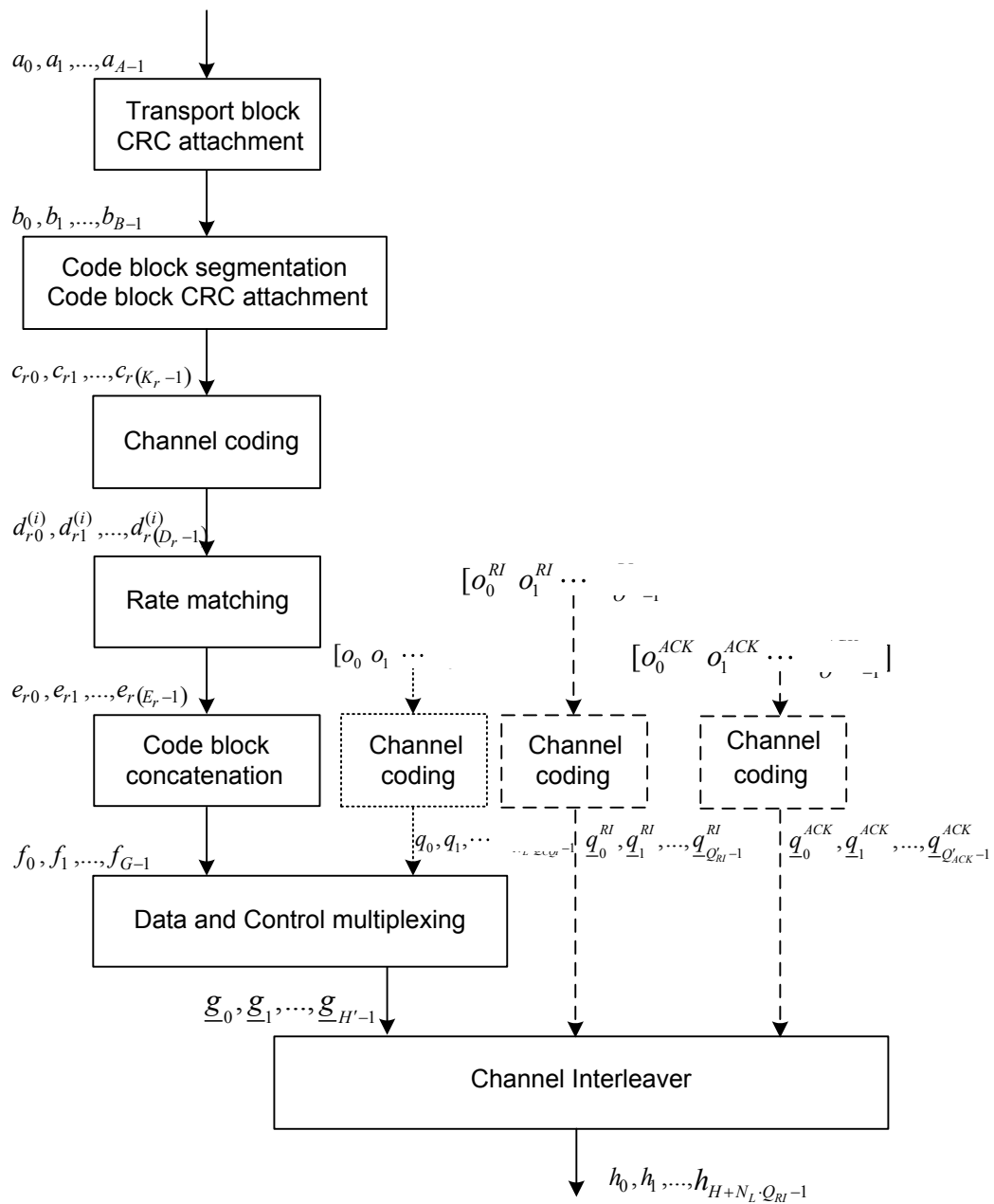
- Add CRC to the transport block
- Code block segmentation and code block CRC attachment
- Channel coding of data and control information
- Rate matching
- Code block concatenation
- Multiplexing of data and control information
- Channel interleaver.

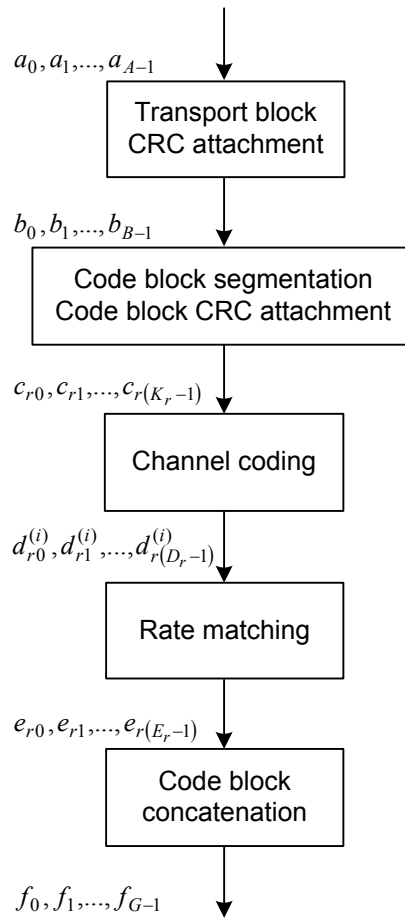
The following coding steps can be identified for each transport block of a DL cell:

- Add CRC to the transport block
- Code block segmentation and code block CRC attachment
- Channel coding
- Rate matching
- Code block concatenation.

FIGURE 47A

UL-SCH and DL-SCH transport channel multiplexing structure (top and bottom respectively)





5.3.1.3.2.3 Transport channels to physical channel mapping

Figures 48 and 49 depict the mapping between transport and physical channels for E-UTRAN:

FIGURE 48

Mapping between downlink transport channels and downlink physical channels

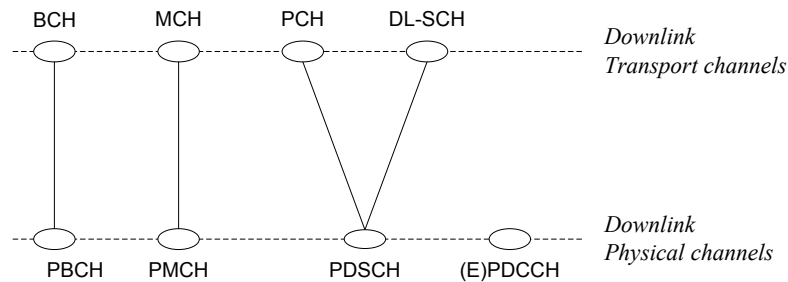
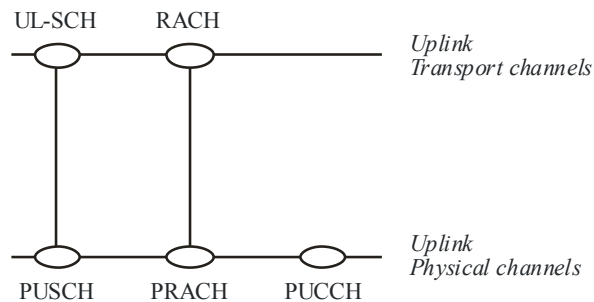


FIGURE 49

Mapping between uplink transport channels and uplink physical channels



M.1457-49

5.3.1.3.3.4 Frame structure

E-UTRA TDD uses frame structure type 2. Frame structure type 2 is applicable to TDD. Each radio frame consists of two half-frames of length $T_f = 153\,600 \times T_s = 5$ ms each. Each half-frame consists of eight slots of length $T_{slot} = 15\,360 \times T_s = 0.5$ ms and three special fields, DwPTS, GP, and UpPTS. The lengths of DwPTS and UpPTS are configurable subject to the total length of DwPTS, GP and UpPTS being equal to $30\,720 \times T_s = 1$ ms. Subframe 1 and 6 consists of DwPTS, GP and UpPTS, all other subframes are defined as two slots where subframe i consists of slots $2i$ and $2i + 1$.

Subframes 0 and 5 and DwPTS are always reserved for downlink transmission.

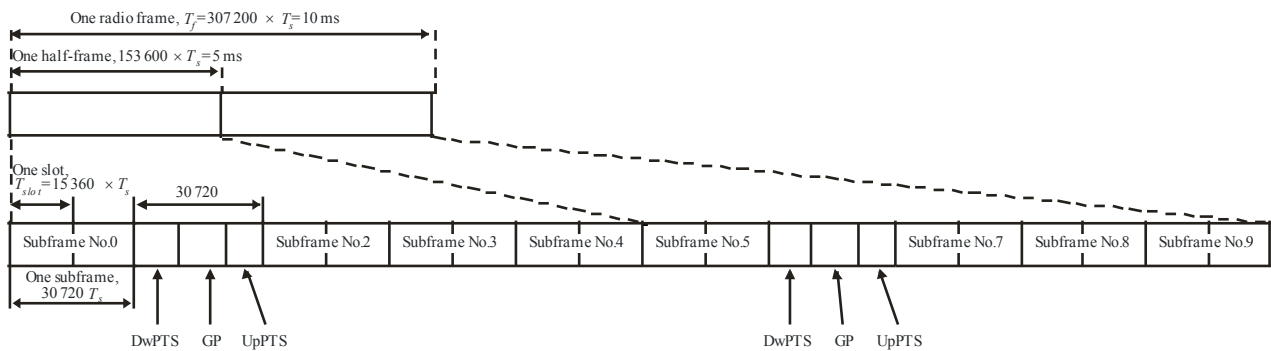
Both 5 ms and 10 ms switch-point periodicity is supported.

In case of 5 ms switch-point periodicity, UpPTS and subframes 2 and 7 are reserved for uplink transmission.

In case of 10 ms switch-point periodicity, DwPTS exist in both half-frames while GP and UpPTS only exist in the first half-frame and DwPTS in the second half-frame has a length equal to $30\,720 \times T_s = 1$ ms. UpPTS and subframe 2 are reserved for uplink transmission and subframes 7 to 9 are reserved for downlink transmission.

FIGURE 50

Frame structure type 2



M.1457-50

5.3.1.3.3.5 Spreading, modulation and pulse shaping

In E-UTRA, the uplink radio access scheme is based on single carrier FDMA, more specifically, DFTS-OFDM. The sub-carrier spacing is 15 kHz. The baseline antenna configuration is MU-MIMO. Modulation scheme for the uplink is up to 16-QAM and optionally 64-QAM.

The downlink radio access scheme of E-UTRA is based on conventional OFDM using cyclic prefix. The OFDM sub-carrier spacing is 15 kHz. In addition, there is also a reduced sub-carrier spacing of 7.5 kHz only for MBMS-dedicated cell.

Single User MIMO and Multi User MIMO with 2, 4 and 8 transmit antennas are supported.

5.3.1.4 Layer 2

5.3.1.4.1 MAC layer

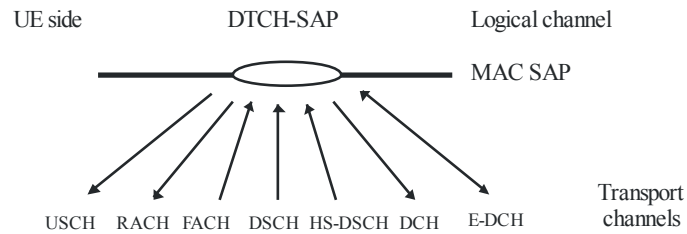
The MAC sub-layer is responsible for the handling of the data streams coming from the RLC and RRC sub-layers. It provides an unacknowledged transfer mode service to the upper layers. The interface to the RLC sub-layer is through logical channel service access points. It also re-allocates radio resources on request by the RRC sub-layer as well as provides measurements to the upper layers. The logical channels are divided into control channels and traffic channels. Thus, the functionality handles issues like:

- mapping of the different logical channels to the appropriate transport channels, selection of appropriate transport format for the transport channels based on the instantaneous source bit rate, and optimization of the HS-DSCH, DL-SCH (E-UTRA) and UL-SCH (E-UTRA) transport channel;
- multiplexing/demultiplexing of the PDUs to/from transport blocks which are thereafter further treated by the physical layer;
- dynamic switching between common and dedicated transport channels based on information from the RRC sub-layer;
- priority issues for services to one UE according to information from higher layers and physical layer (e.g. available transmit power level) as well as priority handling between UEs by means of dynamic scheduling in order to increase spectrum efficiency;
- monitoring of traffic volume that can be used by the RRC sub-layer;
- hybrid ARQ with soft combining in case of the HS-DSCH, DL-SCH (E-UTRA) or UL-SCH (E-UTRA) transport channel;
- segmentation in the case that improved L2 support for high data rates is used;

– padding (E-UTRA).

Figure 51 shows the possibilities of mapping the logical channel DTCH onto transport channels. There are possibilities to map onto common transport channels as well as dedicated transport channels. The choice of mapping could be determined on, e.g. amount of traffic a user creates.

FIGURE 51

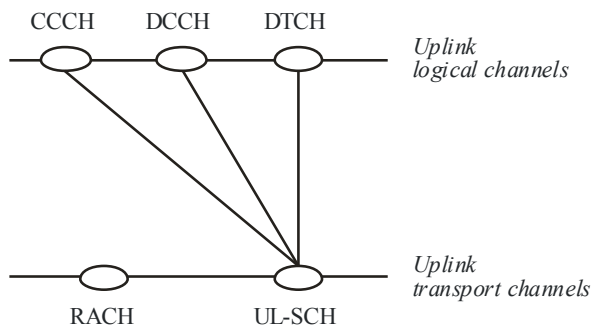


M.1457-51

Figures 52 and 53 show the possibilities of mapping the logical channels onto transport channels for E-UTRA.

FIGURE 52

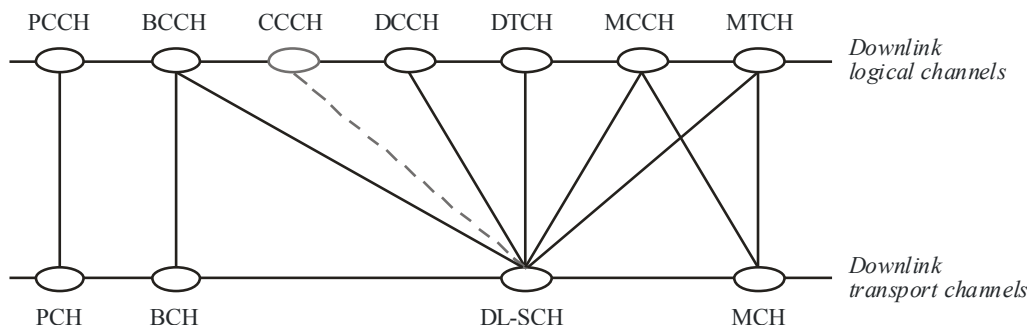
Possible transport channel mappings of the common control channel (CCCH), dedicated control channel (DCCH) and dedicated traffic channel (DTCH)



M.1457-52

FIGURE 53

Possible transport channel mappings of Paging Control Channel (PCCH), Broadcast Control Channel (BCCH), Common Control Channel (CCCH), Dedicated Control Channel (DCCH), Dedicated Traffic Channel (DTCH), Multicast Control Channel (MCCH), Multicast Traffic Channel (MTCH)



M.1457-53

5.3.1.4.2 RLC sub-layer

The RLC sub-layer provides three different types of data transfer modes:

- *Transparent data transfer* – This service transmits higher layer PDUs without adding any protocol information, possibly including segmentation/reassemble functionality.
- *Unacknowledged data transfer* – This service transmits higher layer PDUs without guaranteeing delivery to the peer entity. The unacknowledged data transfer mode has the following characteristics:
 - a) *Detection of erroneous data*: The RLC sub-layer shall deliver only those SDUs to the receiving higher layer that are free of transmission errors by using the sequence-number check function.
 - b) *Unique delivery*: The RLC sub-layer shall deliver each SDU only once to the receiving upper layer using duplication detection function.
 - c) *Immediate delivery*: The receiving RLC sub-layer entity shall deliver a SDU to the higher layer receiving entity as soon as it arrives at the receiver.
- *Acknowledged data transfer* – This service transmits higher layer PDUs and guarantees delivery to the peer entity. In case RLC is unable to deliver the data correctly, the user

of RLC at the transmitting side is notified. For this service, both in-sequence and out-of-sequence delivery are supported. In many cases a higher layer protocol can restore the order of its PDUs. As long as the out-of-sequence properties of the lower layer are known and controlled (i.e. the higher layer protocol will not immediately request retransmission of a missing PDU) allowing out-of-sequence delivery can save memory space in the receiving RLC. The acknowledged data transfer mode has the following characteristics:

- a) *Error-free delivery*: Error-free delivery is ensured by means of retransmission. The receiving RLC entity delivers only error-free SDUs to the higher layer.
- b) *Unique delivery*: The RLC sub-layer shall deliver each SDU only once to the receiving upper layer using duplication detection function.
- c) *In-sequence delivery*: RLC sub-layer shall provide support for in-order delivery of SDUs, i.e. RLC sub-layer should deliver SDUs to the receiving higher layer entity in the same order as the transmitting higher layer entity submits them to the RLC sub-layer.
- d) *Out-of-sequence delivery*: Alternatively to in-sequence delivery, it shall also be possible to allow that the receiving RLC entity delivers SDUs to higher layer in different order than submitted to RLC sub-layer at the transmitting side.

It also provides for RLC connection establishment/release, as well as QoS setting and notification to higher layers in case of unrecoverable errors.

An example of the data flow for non-transparent (acknowledged/unacknowledged) data transfer is shown in Fig. 35.

5.3.1.4.3 PDCP sub-layer

PDCP provides transmission and reception of Network PDUs in acknowledged, unacknowledged and transparent RLC mode.

It is responsible for the mapping of Network PDUs from one network protocol to one RLC entity and it provides compression in the transmitting entity and decompression in the receiving entity of redundant Network PDU control information (header compression/decompression).

For E-UTRAN, PDCP is also responsible for in-sequence delivery of upper layer PDUs at hand-over, duplicate detection of lower layer SDUs and retransmission of PDCP SDUs at handover.

5.3.1.4.4 BMC sub-layer

In UTRA, the BMC provides a broadcast/multicast transmission service in the user plane on the radio interface for common user data in transparent or unacknowledged mode.

It can handle functionalities such as storage, scheduling and transmission of BMC messages.

5.3.1.5 Layer 3 (radio resource control sub-layer)

The radio resource control (RRC) sub-layer handles the control plane signalling of Layer 3 between the UEs and the radio access network. In addition to the relation with the upper layers (such as core network) the following main functions are performed:

- *Broadcast of information provided by the non-access stratum (core network)* – The RRC layer performs system information broadcasting from the network to all UEs. The system information is normally repeated on a regular basis. This function supports broadcast of higher layer (above RRC) information. This information may be cell specific or not. As an example RRC may broadcast core network location service area information related to some specific cells.

- *Broadcast of information related to the access stratum* – The RRC layer performs system information broadcasting from the network to all UEs. This function supports broadcast of typically cell-specific information.
- *Establishment, maintenance and release of an RRC connection between the UE and this radio interface* – The establishment of an RRC connection is initiated by a request from higher layers at the UE side to establish the first signalling connection for the UE. The establishment of an RRC connection includes an optional cell re-selection, an admission control, and a Layer 2 signalling link establishment.
- *Establishment, reconfiguration and release of radio access bearers* – The RRC layer will, on request from higher layers, perform the establishment, reconfiguration and release of radio access bearers in the user plane. A number of radio access bearers can be established to an UE at the same time. At establishment and reconfiguration, the RRC layer performs admission control and selects parameters describing the radio access bearer processing in Layer 2 and Layer 1, based on information from higher layers.
- *Assignment, reconfiguration and release of radio resources for the RRC connection* – The RRC layer handles the assignment of radio resources (e.g. codes and, for TDD only, time slots) needed for the RRC connection including needs from both the control and user plane. The RRC layer may reconfigure radio resources during an established RRC connection. This function includes coordination of the radio resource allocation between multiple radio bearers related to the same RRC connection. RRC controls the radio resources in the uplink and downlink such that UE and the radio access network can communicate using unbalanced radio resources (asymmetric uplink and downlink). RRC signals to the UE to indicate resource allocations for purposes of handover to GSM or other radio systems.
- *RRC connection mobility functions* – The RRC layer performs evaluation, decision and execution related to RRC connection mobility during an established RRC connection, such as handover, preparation of handover to GSM or other systems, cell re-selection and cell/paging area update procedures, based on, e.g. measurements done by the UE.
- *Paging/notification* – The RRC layer can broadcast paging information from the network to selected UEs. The RRC layer can also initiate paging during an established RRC connection.
- *Control of requested QoS* – This function ensures that the QoS requested for the radio access bearers can be met. This includes the allocation of a sufficient number of radio resources.
- *UE measurement reporting and control of the reporting* – The measurements performed by the UE are controlled by the RRC layer, in terms of what to measure, when to measure and how to report, including both this radio interface and other systems. The RRC layer also performs the reporting of the measurements from the UE to the network.
- *Outer loop power control* – The RRC layer controls setting of the target of the closed-loop power control.
- *Control of ciphering* – The RRC layer provides procedures for setting of ciphering (on/off) between the UE and the radio access network.
- *Initial cell selection and re-selection in idle mode* – Selection of the most suitable cell based on idle mode measurements and cell selection criteria.
- *Arbitration of the radio resource allocation between the cells* – This function shall ensure optimal performance of the overall radio access network capacity.

- *Slow DCA* – Allocation of preferred radio resources based on long-term decision criteria.
- *Timing advance control* – The RRC controls the operation of timing advance.

5.3.1.6 Summary of major technical parameters

| Parameter | Value | Reference to § 5.3.2 |
|--|--|--|
| Multiple access technique and duplexing scheme | Multiple access: TDMA/CDMA (E-UTRAN) OFDM in DL. SC-FDMA in UL Duplexing: TDD | 5.3.2.1.1 5.3.2.3.1 |
| Chip rate (Mchip/s) | 3.84 Mchip/sTDD option: 3.84 7.68 Mchip/s TDD option: 7.68 1.28 Mchip/sTDD option: 1.28 | 5.3.2.1.4 |
| Frame length and structure | 3.84 Mchip/sTDD option: Frame length: 10 ms 15 slots per frame, each 666.666 µs 7.68 Mchip/s TDD option: Frame length: 10 ms 15 slots per frame, each 666.666 µs 1.28 Mchip/s TDD option: Frame length: 10 ms Sub-frame length: 5 ms 7 main slots per sub-frame, each 675 µs (E-UTRAN) Sub-frame length; 1 ms (E-UTRAN) Slot length 0.5 ms TTI: 10 ms, 20 ms, 40 ms, 80 ms, 5 ms (HS-DSCH, E-DCH and PRACH, 1.28 Mchip/s option only) (E-UTRAN) 1 ms | 5.3.2.1.2 5.3.2.3.1 |
| Occupied bandwidth (MHz) | 3.84 Mchip/sTDD option: Less than 5 7.68 Mchip/s TDD option: Less than 10 1.28 Mchip/sTDD option: Less than 1.6 (E-UTRAN) 1.4 MHz, 3 MHz, 10 MHz, 15 MHz and 20 MHz | 5.3.2.4.1 5.3.2.4.3 5.3.2.9.1 5.3.2.9.2 |
| Adjacent channel leakage power ratio (ACLR) (transmitter side) | 3.84 Mchip/sTDD option: UE (UE power class: 21 dBm, 24 dBm) ACLR (5 MHz) = 33 dB ACLR (10 MHz) = 43 dB BS: ACLR (5 MHz) = 45 dB ACLR (10 MHz) = 55 dB 7.68 Mchip/s TDD option: UE (UE power class: 21 dBm, 24 dBm) ACLR (10 MHz) = 33 dB ACLR (20 MHz) = 43 dB BS: ACLR (10 MHz) = 45 dB ACLR (20 MHz) = 55 dB 1.28 Mchip/sTDD option: UE (UE power class: 21 dBm, 24 dBm) ACLR (1.6 MHz) = 33 dB ACLR (3.2 MHz) = 43 dB | 5.3.2.4.1, 5.3.2.9.1 5.3.2.4.3, 5.3.2.9.2 |

| Parameter | Value | Reference to § 5.3.2 |
|---|--|--|
| | BS: ACLR (1.6 MHz) = 40 dB ACLR (3.2 MHz) = 45 dB | |
| Adjacent channel selectivity (ACS) (receiver side) | 3.84 Mchip/s TDD option: UE: (UE power class: 21 dBm, 24 dBm) ACS (5 MHz) = 33 dB BS: ACS (5 MHz) = 45 dB 7.68 Mchip/s TDD option: UE: (UE power class: 21 dBm, 24 dBm) ACS (10 MHz) = 33 dB BS: ACS (10 MHz) = 45 dB 1.28 Mchip/sTDD option: UE: (UE power class: 21 dBm, 24 dBm) ACS (1.6 MHz) = 33 dB BS: ACS (1.6 MHz) = 45 dB | 5.3.2.4.1, 5.3.2.9.1 5.3.2.4.3, 5.3.2.9.2 |
| Random access mechanism | 3.84 Mchip/s and 7.68 Mchip/s TDD options: RACH burst on dedicated uplink slot(s) 1.28 Mchip/sTDD option: Two step random-access with fast physical layer signalling | 5.3.2.1.2, 5.3.2.1.5 |
| Channel estimation | Midambles are used for channel estimation | 5.3.2.1.2 |
| Inter-base station asynchronous/ synchronous operation | Synchronous operation | 5.3.2.1.5 |

5.3.2 Detailed specification of the radio interface

The standards contained in this section are derived from the global core specifications for IMT-2000 contained at <http://ties.itu.int/u/itu-r/ede/rsg5/IMT-2000/GCS/GCSrev12>. Only the specifications listed below are relevant to this Recommendation.

The following notes apply to the sections below, where indicated:

- 1) The relevant SDOs should make their reference material available from their Web site.
- 2) This information was supplied by the recognized external organizations and relates to their own deliverables of the transposed global core specification.

5.3.2.1 25.200 series

5.3.2.1.1 TS 25.201

Physical layer – general description

This specification gives a general description of the physical layer of the UTRA radio interface.

| SDO (2) | Document No. | Version | Status | Issued date | Location (1) |
|-------------------|---------------------------|---------|-----------|-------------|---|
| Release 99 | | | | | |
| ARIB | ARIB STD-T63-25.201 | 3.4.0 | Approved | Jul 13 | http://www.arib.or.jp/english/html/overview/doc/STD-T63v10_00/2_T63/ARIB-STD-T63/R99/25/A25201-340.pdf |
| ATIS | T1.3GPP.25.201V340-2003 | 3.4.0 | Approved | Mar 03 | https://www.atis.org/docstore/default.aspx |
| CCSA | CCSA-TSD-TDD-25.201 | 3.4.0 | Published | Jul 02 | http://www.ccsa.org.cn/english/tc/files.php?docpath=/ITU-R/M.1457/M.1457-12/TDD |
| ETSI | ETSI TS 125 201 | 3.4.0 | Published | Jul 02 | http://www.etsi.org/deliver/etsi_ts/125200_125299/125201/03.04.00_60/ |
| Release 4 | | | | | |
| ARIB | ARIB STD-T63-25.201 | 4.3.0 | Approved | Jul 13 | http://www.arib.or.jp/english/html/overview/doc/STD-T63v10_00/2_T63/ARIB-STD-T63/Rel4/25/A25201-430.pdf |
| ATIS | T1.3GPP.25.201V430-2003 | 4.3.0 | Approved | Mar 03 | https://www.atis.org/docstore/default.aspx |
| CCSA | CCSA-TSD-TDD-25.201 | 4.3.0 | Published | Jul 02 | http://www.ccsa.org.cn/english/tc/files.php?docpath=/ITU-R/M.1457/M.1457-12/TDD |
| ETSI | ETSI TS 125 201 | 4.3.0 | Published | Jul 02 | http://www.etsi.org/deliver/etsi_ts/125200_125299/125201/04.03.00_60/ |
| Release 5 | | | | | |
| ARIB | ARIB STD-T63-25.201 | 5.3.0 | Approved | Jul 13 | http://www.arib.or.jp/english/html/overview/doc/STD-T63v10_00/2_T63/ARIB-STD-T63/Rel5/25/A25201-530.pdf |
| ATIS | ATIS.3GPP.25.201V530-2006 | 5.3.0 | Approved | Apr 06 | https://www.atis.org/docstore/default.aspx |
| CCSA | CCSA-TSD-TDD-25.201 | 5.3.0 | Published | Jul 05 | http://www.ccsa.org.cn/english/tc/files.php?docpath=/ITU-R/M.1457/M.1457-12/TDD |
| ETSI | ETSI TS 125 201 | 5.3.0 | Published | Jul 05 | http://www.etsi.org/deliver/etsi_ts/125200_125299/125201/05.03.00_60/ |
| Release 6 | | | | | |
| ARIB | ARIB STD-T63-25.201 | 6.2.0 | Approved | Jul 13 | http://www.arib.or.jp/english/html/overview/doc/STD-T63v10_00/2_T63/ARIB-STD-T63/Rel6/25/A25201-620.pdf |
| ATIS | ATIS.3GPP.25.201V620-2006 | 6.2.0 | Approved | Apr 06 | https://www.atis.org/docstore/default.aspx |
| CCSA | CCSA-TSD-TDD-25.201 | 6.2.0 | Published | Jul 05 | http://www.ccsa.org.cn/english/tc/files.php?docpath=/ITU-R/M.1457/M.1457-12/TDD |
| ETSI | ETSI TS 125 201 | 6.2.0 | Published | Jul 05 | http://www.etsi.org/deliver/etsi_ts/125200_125299/125201/06.02.00_60/ |
| Release 7 | | | | | |
| ARIB | ARIB STD-T63-25.201 | 7.5.0 | Approved | Jul 13 | http://www.arib.or.jp/english/html/overview/doc/STD-T63v10_00/2_T63/ARIB-STD-T63/Rel7/25/A25201-750.pdf |
| ATIS | ATIS.3GPP.25.201V750-2008 | 7.5.0 | Approved | Oct 08 | https://www.atis.org/docstore/default.aspx |
| CCSA | CCSA-TSD-TDD-25.201 | 7.5.0 | Published | Jan 08 | http://www.ccsa.org.cn/english/tc/files.php?docpath=/ITU-R/M.1457/M.1457-12/TDD |
| ETSI | ETSI TS 125 201 | 7.5.0 | Published | Jan 08 | http://www.etsi.org/deliver/etsi_ts/125200_125299/125201/07.05.00_60/ |

Release 8

| | | | | | |
|------|---------------------------|-------|-----------|--------|---|
| ARIB | ARIB STD-T63-25.201 | 8.1.0 | Approved | Jul 13 | http://www.arib.or.jp/english/html/overview/doc/STD-T63v10_00/2_T63/ARIB-STD-T63/Rel8/25/A25201-810.pdf |
| ATIS | ATIS.3GPP.25.201V810-2008 | 8.1.0 | Approved | Oct 08 | https://www.atis.org/docstore/default.aspx |
| CCSA | CCSA-TSD-TDD-25.201 | 8.1.0 | Published | Oct 08 | http://www.ccsa.org.cn/english/tc/files.php?docpath=/ITU-R/M.1457/M.1457-12/TDD |
| ETSI | ETSI TS 125 201 | 8.1.0 | Published | Oct 08 | http://www.etsi.org/deliver/etsi_ts/125200_125299/125201/08.01.00_60/ |

Release 9

| | | | | | |
|------|---------------------------|-------|-----------|--------|---|
| ARIB | ARIB STD-T63-25.201 | 9.0.0 | Approved | Jul 13 | http://www.arib.or.jp/english/html/overview/doc/STD-T63v10_00/2_T63/ARIB-STD-T63/Rel9/25/A25201-900.pdf |
| ATIS | ATIS.3GPP.25.201V900-2010 | 9.0.0 | Approved | Jul 10 | https://www.atis.org/docstore/default.aspx |
| CCSA | CCSA-TSD-TDD-25.201 | 9.0.0 | Published | Mar 10 | http://www.ccsa.org.cn/english/tc/files.php?docpath=/ITU-R/M.1457/M.1457-12/TDD |
| ETSI | ETSI TS 125 201 | 9.0.0 | Published | Jan 10 | http://www.etsi.org/deliver/etsi_ts/125200_125299/125201/09.00.00_60/ |

Release 10

| | | | | | |
|------|----------------------------|--------|-----------|--------|---|
| ARIB | ARIB STD-T63-25.201 | 10.0.0 | Approved | Jul 13 | http://www.arib.or.jp/english/html/overview/doc/STD-T63v10_00/2_T63/ARIB-STD-T63/Rel10/25/A25201-a00.pdf |
| ATIS | ATIS.3GPP.25.201V1000-2012 | 10.0.0 | Approved | Jul 12 | https://www.atis.org/docstore/default.aspx |
| CCSA | CCSA-TSD-TDD-25.201 | 10.0.0 | Published | Jun 12 | http://www.ccsa.org.cn/english/tc/files.php?docpath=/ITU-R/M.1457/M.1457-12/TDD |
| ETSI | ETSI TS 125 201 | 10.0.0 | Published | Apr 11 | http://www.etsi.org/deliver/etsi_ts/125200_125299/125201/10.00.00_60/ |

Release 11

| | | | | | |
|------|----------------------------|--------|-----------|--------|---|
| ARIB | ARIB STD-T63-25.201 | 11.1.0 | Approved | Jul 13 | http://www.arib.or.jp/english/html/overview/doc/STD-T63v10_00/2_T63/ARIB-STD-T63/Rel11/25/A25201-b10.pdf |
| ATIS | ATIS.3GPP.25.201V1110-2014 | 11.1.0 | Approved | May 14 | https://www.atis.org/docstore/default.aspx |
| CCSA | CCSA-TSD-TDD-25.201 | 11.1.0 | Published | Jun 14 | http://www.ccsa.org.cn/english/tc/files.php?docpath=/ITU-R/M.1457/M.1457-12/TDD |
| ETSI | ETSI TS 125 201 | 11.1.0 | Published | Jan 13 | http://www.etsi.org/deliver/etsi_ts/125200_125299/125201/11.01.00_60/ |

5.3.2.1.2 TS 25.202**7.68 Mcps Time Division Duplex (TDD) option; Overall description: Stage 2**

This document is the overall technical specification for the support of the 7.68 Mcps TDD option in UTRA.

| SDO (2) | Document No. | Version | Status | Issued date | Location (1) |
|-------------------|----------------------------|---------|-----------|-------------|---|
| Release 7 | | | | | |
| ARIB | ARIB STD-T63-25.202 | 7.1.0 | Approved | Jul 13 | http://www.arib.or.jp/english/html/overview/doc/STD-T63v10_00/2_T63/ARIB-STD-T63/Rel7/25/A25202-710.pdf |
| CCSA | CCSA-TSD-TDD-25.202 | 7.1.0 | Published | Oct 06 | http://www.ccsa.org.cn/english/tc/files.php?docpath=/ITU-R/M.1457/M.1457-12/TDD |
| ETSI | ETSI TS 125 202 | 7.1.0 | Published | Oct 06 | http://www.etsi.org/deliver/etsi_ts/125200_125299/125202/07.01.00_60/ |
| Release 8 | | | | | |
| ATIS | ATIS.3GPP.25.202V800-2009 | 8.0.0 | Approved | Jul 09 | https://www.atis.org/docstore/default.aspx |
| CCSA | CCSA-TSD-TDD-25.202 | 8.0.0 | Published | Jan 09 | http://www.ccsa.org.cn/english/tc/files.php?docpath=/ITU-R/M.1457/M.1457-12/TDD |
| ETSI | ETSI TS 125 202 | 8.0.0 | Published | Jan 09 | http://www.etsi.org/deliver/etsi_ts/125200_125299/125202/08.00.00_60/ |
| Release 9 | | | | | |
| ATIS | ATIS.3GPP.25.202V900-2010 | 9.0.0 | Approved | Jul 10 | https://www.atis.org/docstore/default.aspx |
| CCSA | CCSA-TSD-TDD-25.202 | 9.0.0 | Published | Mar 10 | http://www.ccsa.org.cn/english/tc/files.php?docpath=/ITU-R/M.1457/M.1457-12/TDD |
| ETSI | ETSI TS 125 202 | 9.0.0 | Published | Jan 10 | http://www.etsi.org/deliver/etsi_ts/125200_125299/125202/09.00.00_60/ |
| Release 10 | | | | | |
| ATIS | ATIS.3GPP.25.202V1000-2012 | 10.0.0 | Approved | Jul 12 | https://www.atis.org/docstore/default.aspx |
| CCSA | CCSA-TSD-TDD-25.202 | 10.0.0 | Published | Jun 12 | http://www.ccsa.org.cn/english/tc/files.php?docpath=/ITU-R/M.1457/M.1457-12/TDD |

| | | | | | |
|------|-----------------|--------|-----------|--------|---|
| ETSI | ETSI TS 125 202 | 10.0.0 | Published | Apr 11 | http://www.etsi.org/deliver/etsi_ts/125200_125299/125202/10.00.00_60/ |
|------|-----------------|--------|-----------|--------|---|

Release 11

| | | | | | |
|------|----------------------------|--------|-----------|--------|---|
| ATIS | ATIS.3GPP.25.202V1100-2014 | 11.0.0 | Approved | May 14 | https://www.atis.org/docstore/default.aspx |
| CCSA | CCSA-TSD-TDD-25.202 | 11.0.0 | Published | Jun 14 | http://www.ccsa.org.cn/english/tc/files.php?docpath=/ITU-R/M.1457/M.1457-12/TDD |
| ETSI | ETSI TS 125 202 | 11.0.0 | Published | Sep 12 | http://www.etsi.org/deliver/etsi_ts/125200_125299/125202/11.00.00_60/ |

5.3.2.1.3 TS 25.221**Physical channels and mapping of transport channels onto physical channels (TDD)**

This specification describes the characteristics of the Layer 1 transport channels and physical channel in the TDD mode of UTRA. The main objectives of the document are to be a part of the full description of the UTRA Layer 1, and to serve as a basis for the drafting of the actual technical specification (TS).

| SDO (2) | Document No. | Version | Status | Issued date | Location (1) |
|-------------------|----------------------------|---------|-----------|-------------|---|
| Release 99 | | | | | |
| ARIB | ARIB STD-T63-25.221 | 3.11.0 | Approved | Jul 13 | http://www.arib.or.jp/english/html/overview/doc/STD-T63v10_00/2_T63/ARIB-STD-T63/R99/25/A25221-3b0.pdf |
| ATIS | ATIS.3GPP.25.221V3110-2006 | 3.11.0 | Approved | Apr 06 | https://www.atis.org/docstore/default.aspx |
| ETSI | ETSI TS 125 221 | 3.11.0 | Published | Oct 02 | http://www.etsi.org/deliver/etsi_ts/125200_125299/125221/03.11.00_60/ |
| Release 4 | | | | | |
| ARIB | ARIB STD-T63-25.221 | 4.8.0 | Approved | Jul 13 | http://www.arib.or.jp/english/html/overview/doc/STD-T63v10_00/2_T63/ARIB-STD-T63/Rel4/25/A25221-480.pdf |
| ATIS | ATIS.3GPP.25.221V480-2006 | 4.8.0 | Approved | Apr 06 | https://www.atis.org/docstore/default.aspx |
| CCSA | CCSA-TSD-TDD-25.221 | 4.8.0 | Published | Jul 05 | http://www.ccsa.org.cn/english/tc/files.php?docpath=/ITU-R/M.1457/M.1457-12/TDD |
| ETSI | ETSI TS 125 221 | 4.8.0 | Published | Jul 05 | http://www.etsi.org/deliver/etsi_ts/125200_125299/125221/04.08.00_60/ |
| Release 5 | | | | | |
| ARIB | ARIB STD-T63-25.221 | 5.7.0 | Approved | Jul 13 | http://www.arib.or.jp/english/html/overview/doc/STD-T63v10_00/2_T63/ARIB-STD-T63/Rel5/25/A25221-570.pdf |
| ATIS | ATIS.3GPP.25.221V570-2009 | 5.7.0 | Approved | Jul 09 | https://www.atis.org/docstore/default.aspx |
| CCSA | CCSA-TSD-TDD-25.221 | 5.7.0 | Published | Oct 08 | http://www.ccsa.org.cn/english/tc/files.php?docpath=/ITU-R/M.1457/M.1457-12/TDD |
| ETSI | ETSI TS 125 221 | 5.7.0 | Published | Oct 08 | http://www.etsi.org/deliver/etsi_ts/125200_125299/125221/05.07.00_60/ |
| Release 6 | | | | | |
| ARIB | ARIB STD-T63-25.221 | 6.6.0 | Approved | Jul 13 | http://www.arib.or.jp/english/html/overview/doc/STD-T63v10_00/2_T63/ARIB-STD-T63/Rel6/25/A25221-660.pdf |
| ATIS | ATIS.3GPP.25.221V660-2009 | 6.6.0 | Approved | Jul 09 | https://www.atis.org/docstore/default.aspx |
| CCSA | CCSA-TSD-TDD-25.221 | 6.6.0 | Published | Oct 08 | http://www.ccsa.org.cn/english/tc/files.php?docpath=/ITU-R/M.1457/M.1457-12/TDD |
| ETSI | ETSI TS 125 221 | 6.6.0 | Published | Oct 08 | http://www.etsi.org/deliver/etsi_ts/125200_125299/125221/06.06.00_60/ |
| Release 7 | | | | | |
| ARIB | ARIB STD-T63-25.221 | 7.12.0 | Approved | Jul 13 | http://www.arib.or.jp/english/html/overview/doc/STD-T63v10_00/2_T63/ARIB-STD-T63/Rel7/25/A25221-7c0.pdf |
| ATIS | ATIS.3GPP.25.221V7120-2014 | 7.12.0 | Approved | May 14 | https://www.atis.org/docstore/default.aspx |
| CCSA | CCSA-TSD-TDD-25.221 | 7.12.0 | Published | Jun 12 | http://www.ccsa.org.cn/english/tc/files.php?docpath=/ITU-R/M.1457/M.1457-12/TDD |
| ETSI | ETSI TS 125 221 | 7.12.0 | Published | Jan 12 | http://www.etsi.org/deliver/etsi_ts/125200_125299/125221/07.12.00_60/ |
| Release 8 | | | | | |
| ATIS | ATIS.3GPP.25.221V8110-2014 | 8.11.0 | Approved | May 14 | https://www.atis.org/docstore/default.aspx |
| CCSA | CCSA-TSD-TDD-25.221 | 8.11.0 | Published | Jun 12 | http://www.ccsa.org.cn/english/tc/files.php?docpath=/ITU-R/M.1457/M.1457-12/TDD |
| ETSI | ETSI TS 125 221 | 8.11.0 | Published | Jan 12 | http://www.etsi.org/deliver/etsi_ts/125200_125299/125221/08.11.00_60/ |

Release 9

| | | | | | |
|------|---------------------------|-------|-----------|--------|---|
| ATIS | ATIS.3GPP.25.221V940-2014 | 9.4.0 | Approved | May 14 | https://www.atis.org/docstore/default.aspx |
| CCSA | CCSA-TSD-TDD-25.221 | 9.4.0 | Published | Jun 12 | http://www.ccsa.org.cn/english/tc/files.php?docpath=/ITU-R/M.1457/M.1457-12/TDD |
| ETSI | ETSI TS 125 221 | 9.4.0 | Published | Jan 12 | http://www.etsi.org/deliver/etsi_ts/125200_125299/125221/09.04.00_60/ |

Release 10

| | | | | | |
|------|----------------------------|--------|-----------|--------|---|
| ATIS | ATIS.3GPP.25.221V1020-2014 | 10.2.0 | Approved | May 14 | https://www.atis.org/docstore/default.aspx |
| CCSA | CCSA-TSD-TDD-25.221 | 10.2.0 | Published | Jun 12 | http://www.ccsa.org.cn/english/tc/files.php?docpath=/ITU-R/M.1457/M.1457-12/TDD |
| ETSI | ETSI TS 125 221 | 10.2.0 | Published | Jan 12 | http://www.etsi.org/deliver/etsi_ts/125200_125299/125221/10.02.00_60/ |

Release 11

| | | | | | |
|------|----------------------------|--------|-----------|--------|---|
| ATIS | ATIS.3GPP.25.221V1100-2014 | 11.0.0 | Approved | May 14 | https://www.atis.org/docstore/default.aspx |
| CCSA | CCSA-TSD-TDD-25.221 | 11.0.0 | Published | Jun 14 | http://www.ccsa.org.cn/english/tc/files.php?docpath=/ITU-R/M.1457/M.1457-12/TDD |
| ETSI | ETSI TS 125 221 | 11.0.0 | Published | Sep 12 | http://www.etsi.org/deliver/etsi_ts/125200_125299/125221/11.00.00_60/ |

5.3.2.1.4 TS 25.222**Multiplexing and channel coding (TDD)**

This specification describes multiplexing, channel coding and interleaving for UTRA physical layer TDD mode.

| SDO (2) | Document No. | Version | Status | Issued date | Location (1) |
|-------------------|----------------------------|---------|-----------|-------------|---|
| Release 99 | | | | | |
| ARIB | ARIB STD-T63-25.222 | 3.10.0 | Approved | Jul 13 | http://www.arib.or.jp/english/html/overview/doc/STD-T63v10_00/2_T63/ARIB-STD-T63/R99/25/A25222-3a0.pdf |
| ATIS | T1.3GPP.25.222V3100-2003 | 3.10.0 | Approved | Mar 03 | https://www.atis.org/docstore/default.aspx |
| CCSA | CCSA-TSD-TDD-25.222 | 3.10.0 | Published | Oct 02 | http://www.ccsa.org.cn/english/tc/files.php?docpath=/ITU-R/M.1457/M.1457-12/TDD |
| ETSI | ETSI TS 125 222 | 3.10.0 | Published | Oct 02 | http://www.etsi.org/deliver/etsi_ts/125200_125299/125222/03.10.00_60/ |
| Release 4 | | | | | |
| ARIB | ARIB STD-T63-25.222 | 4.8.0 | Approved | Jul 13 | http://www.arib.or.jp/english/html/overview/doc/STD-T63v10_00/2_T63/ARIB-STD-T63/Rel4/25/A25222-480.pdf |
| ATIS | ATIS.3GPP.25.222V480-2005 | 4.8.0 | Approved | Apr 05 | https://www.atis.org/docstore/default.aspx |
| CCSA | CCSA-TSD-TDD-25.222 | 4.8.0 | Published | Oct 04 | http://www.ccsa.org.cn/english/tc/files.php?docpath=/ITU-R/M.1457/M.1457-12/TDD |
| ETSI | ETSI TS 125 222 | 4.8.0 | Published | Oct 04 | http://www.etsi.org/deliver/etsi_ts/125200_125299/125222/04.08.00_60/ |
| Release 5 | | | | | |
| ARIB | ARIB STD-T63-25.222 | 5.8.0 | Approved | Jul 13 | http://www.arib.or.jp/english/html/overview/doc/STD-T63v10_00/2_T63/ARIB-STD-T63/Rel5/25/A25222-580.pdf |
| ATIS | ATIS.3GPP.25.222V580-2009 | 5.8.0 | Approved | Jul 09 | https://www.atis.org/docstore/default.aspx |
| CCSA | CCSA-TSD-TDD-25.222 | 5.8.0 | Published | Mar 09 | http://www.ccsa.org.cn/english/tc/files.php?docpath=/ITU-R/M.1457/M.1457-12/TDD |
| ETSI | ETSI TS 125 222 | 5.8.0 | Published | Mar 09 | http://www.etsi.org/deliver/etsi_ts/125200_125299/125222/05.08.00_60/ |
| Release 6 | | | | | |
| ARIB | ARIB STD-T63-25.222 | 6.3.0 | Approved | Jul 13 | http://www.arib.or.jp/english/html/overview/doc/STD-T63v10_00/2_T63/ARIB-STD-T63/Rel6/25/A25222-630.pdf |
| ATIS | ATIS.3GPP.25.222V630-2009 | 6.3.0 | Approved | Jul 09 | https://www.atis.org/docstore/default.aspx |
| CCSA | CCSA-TSD-TDD-25.222 | 6.3.0 | Published | Mar 09 | http://www.ccsa.org.cn/english/tc/files.php?docpath=/ITU-R/M.1457/M.1457-12/TDD |
| ETSI | ETSI TS 125 222 | 6.3.0 | Published | Mar 09 | http://www.etsi.org/deliver/etsi_ts/125200_125299/125222/06.03.00_60/ |
| Release 7 | | | | | |
| ARIB | ARIB STD-T63-25.222 | 7.11.0 | Approved | Jul 13 | http://www.arib.or.jp/english/html/overview/doc/STD-T63v10_00/2_T63/ARIB-STD-T63/Rel7/25/A25222-7b0.pdf |
| ATIS | ATIS.3GPP.25.222V7110-2010 | 7.11.0 | Approved | Jul 10 | https://www.atis.org/docstore/default.aspx |
| CCSA | CCSA-TSD-TDD-25.222 | 7.11.0 | Published | Mar 10 | http://www.ccsa.org.cn/english/tc/files.php?docpath=/ITU-R/M.1457/M.1457-12/TDD |

| | | | | | |
|-------------------|----------------------------|--------|-----------|--------|---|
| ETSI | ETSI TS 125 222 | 7.11.0 | Published | Jun 09 | http://www.etsi.org/deliver/etsi_ts/125200_125299/125222/07.11.00_60/ |
| Release 8 | | | | | |
| ATIS | ATIS.3GPP.25.222V890-2012 | 8.9.0 | Approved | Jul 12 | https://www.atis.org/docstore/default.aspx |
| CCSA | CCSA-TSD-TDD-25.222 | 8.9.0 | Published | Jun 12 | http://www.ccsa.org.cn/english/tc/files.php?docpath=/ITU-R/M.1457/M.1457-12/TDD |
| ETSI | ETSI TS 125 222 | 8.9.0 | Published | Jun 10 | http://www.etsi.org/deliver/etsi_ts/125200_125299/125222/08.09.00_60/ |
| Release 9 | | | | | |
| ATIS | ATIS.3GPP.25.222V930-2014 | 9.3.0 | Approved | May 14 | https://www.atis.org/docstore/default.aspx |
| CCSA | CCSA-TSD-TDD-25.222 | 9.3.0 | Published | Jun 12 | http://www.ccsa.org.cn/english/tc/files.php?docpath=/ITU-R/M.1457/M.1457-12/TDD |
| ETSI | ETSI TS 125 222 | 9.3.0 | Published | Jan 12 | http://www.etsi.org/deliver/etsi_ts/125200_125299/125222/09.03.00_60/ |
| Release 10 | | | | | |
| ATIS | ATIS.3GPP.25.222V1020-2014 | 10.2.0 | Approved | May 14 | https://www.atis.org/docstore/default.aspx |
| CCSA | CCSA-TSD-TDD-25.222 | 10.2.0 | Published | Jun 12 | http://www.ccsa.org.cn/english/tc/files.php?docpath=/ITU-R/M.1457/M.1457-12/TDD |
| ETSI | ETSI TS 125 222 | 10.2.0 | Published | Jan 12 | http://www.etsi.org/deliver/etsi_ts/125200_125299/125222/10.02.00_60/ |
| Release 11 | | | | | |
| ATIS | ATIS.3GPP.25.222V1100-2014 | 11.0.0 | Approved | May 14 | https://www.atis.org/docstore/default.aspx |
| CCSA | CCSA-TSD-TDD-25.222 | 11.0.0 | Published | Jun 14 | http://www.ccsa.org.cn/english/tc/files.php?docpath=/ITU-R/M.1457/M.1457-12/TDD |
| ETSI | ETSI TS 125 222 | 11.0.0 | Published | Sep 12 | http://www.etsi.org/deliver/etsi_ts/125200_125299/125222/11.00.00_60/ |

5.3.2.1.5 TS 25.223

Spreading and modulation (TDD)

This specification describes the characteristics of the spreading and modulation in the TDD mode. The main objectives of the document are to be a part of the full description of the Layer 1, and to serve as a basis for the drafting of the actual technical specification (TS).

| SDO (2) | Document No. | Version | Status | Issued date | Location (1) |
|-------------------|---------------------------|---------|-----------|-------------|---|
| Release 99 | | | | | |
| ARIB | ARIB STD-T63-25.223 | 3.8.0 | Approved | Jul 13 | http://www.arib.or.jp/english/html/overview/doc/STD-T63v10_00/2_T63/ARIB-STD-T63/R99/25/A25223-380.pdf |
| ATIS | T1.3GPP.25.223V380-2002 | 3.8.0 | Approved | May 02 | https://www.atis.org/docstore/default.aspx |
| CCSA | CCSA-TSD-TDD-25.223 | 3.8.0 | Published | Apr 02 | http://www.ccsa.org.cn/english/tc/files.php?docpath=/ITU-R/M.1457/M.1457-12/TDD |
| ETSI | ETSI TS 125 223 | 3.8.0 | Published | Apr 02 | http://www.etsi.org/deliver/etsi_ts/125200_125299/125223/03.08.00_60/ |
| Release 4 | | | | | |
| ARIB | ARIB STD-T63-25.223 | 4.5.0 | Approved | Jul 13 | http://www.arib.or.jp/english/html/overview/doc/STD-T63v10_00/2_T63/ARIB-STD-T63/Rel4/25/A25223-450.pdf |
| ATIS | T1.3GPP.25.223V450-2003 | 4.5.0 | Approved | Mar 03 | https://www.atis.org/docstore/default.aspx |
| CCSA | CCSA-TSD-TDD-25.223 | 4.5.0 | Published | Jan 03 | http://www.ccsa.org.cn/english/tc/files.php?docpath=/ITU-R/M.1457/M.1457-12/TDD |
| ETSI | ETSI TS 125 223 | 4.5.0 | Published | Jan 03 | http://www.etsi.org/deliver/etsi_ts/125200_125299/125223/04.05.00_60/ |
| Release 5 | | | | | |
| ARIB | ARIB STD-T63-25.223 | 5.3.0 | Approved | Jul 13 | http://www.arib.or.jp/english/html/overview/doc/STD-T63v10_00/2_T63/ARIB-STD-T63/Rel5/25/A25223-530.pdf |
| ATIS | T1.3GPP.25.223V530-2004 | 5.3.0 | Approved | May 04 | https://www.atis.org/docstore/default.aspx |
| CCSA | CCSA-TSD-TDD-25.223 | 5.3.0 | Published | Apr 03 | http://www.ccsa.org.cn/english/tc/files.php?docpath=/ITU-R/M.1457/M.1457-12/TDD |
| ETSI | ETSI TS 125 223 | 5.3.0 | Published | Apr 03 | http://www.etsi.org/deliver/etsi_ts/125200_125299/125223/05.03.00_60/ |
| Release 6 | | | | | |
| ARIB | ARIB STD-T63-25.223 | 6.1.0 | Approved | Jul 13 | http://www.arib.or.jp/english/html/overview/doc/STD-T63v10_00/2_T63/ARIB-STD-T63/Rel6/25/A25223-610.pdf |
| ATIS | ATIS.3GPP.25.223V610-2006 | 6.1.0 | Approved | Apr 06 | https://www.atis.org/docstore/default.aspx |

| | | | | | |
|-------------------|----------------------------|--------|-----------|--------|---|
| CCSA | CCSA-TSD-TDD-25.223 | 6.1.0 | Published | Jan 06 | http://www.ccsa.org.cn/english/tc/files.php?docpath=/ITU-R/M.1457/M.1457-12/TDD |
| ETSI | ETSI TS 125 223 | 6.1.0 | Published | Jan 06 | http://www.etsi.org/deliver/etsi_ts/125200_125299/125223/06.01.00_60/ |
| Release 7 | | | | | |
| ARIB | ARIB STD-T63-25.223 | 7.7.0 | Approved | Jul 13 | http://www.arib.or.jp/english/html/overview/doc/STD-T63v10_00/2_T63/ARIB-STD-T63/Rel7/25/A25223-770.pdf |
| ATIS | ATIS.3GPP.25.223V770-2008 | 7.7.0 | Approved | Oct 08 | https://www.atis.org/docstore/default.aspx |
| CCSA | CCSA-TSD-TDD-25.223 | 7.7.0 | Published | Jul 08 | http://www.ccsa.org.cn/english/tc/files.php?docpath=/ITU-R/M.1457/M.1457-12/TDD |
| ETSI | ETSI TS 125 223 | 7.7.0 | Published | Jul 08 | http://www.etsi.org/deliver/etsi_ts/125200_125299/125223/07.07.00_60/ |
| Release 8 | | | | | |
| ATIS | ATIS.3GPP.25.223V850-2012 | 8.5.0 | Approved | Jul 12 | https://www.atis.org/docstore/default.aspx |
| CCSA | CCSA-TSD-TDD-25.223 | 8.5.0 | Published | Jun 12 | http://www.ccsa.org.cn/english/tc/files.php?docpath=/ITU-R/M.1457/M.1457-12/TDD |
| ETSI | ETSI TS 125 223 | 8.5.0 | Published | Oct 11 | http://www.etsi.org/deliver/etsi_ts/125200_125299/125223/08.05.00_60/ |
| Release 9 | | | | | |
| ATIS | ATIS.3GPP.25.223V910-2012 | 9.1.0 | Approved | Jul 12 | https://www.atis.org/docstore/default.aspx |
| CCSA | CCSA-TSD-TDD-25.223 | 9.1.0 | Published | Jun 12 | http://www.ccsa.org.cn/english/tc/files.php?docpath=/ITU-R/M.1457/M.1457-12/TDD |
| ETSI | ETSI TS 125 223 | 9.1.0 | Published | Oct 11 | http://www.etsi.org/deliver/etsi_ts/125200_125299/125223/09.01.00_60/ |
| Release 10 | | | | | |
| ATIS | ATIS.3GPP.25.223V1010-2012 | 10.1.0 | Approved | Jul 12 | https://www.atis.org/docstore/default.aspx |
| CCSA | CCSA-TSD-TDD-25.223 | 10.1.0 | Published | Jun 12 | http://www.ccsa.org.cn/english/tc/files.php?docpath=/ITU-R/M.1457/M.1457-12/TDD |
| ETSI | ETSI TS 125 223 | 10.1.0 | Published | Oct 11 | http://www.etsi.org/deliver/etsi_ts/125200_125299/125223/10.01.00_60/ |
| Release 11 | | | | | |
| ATIS | ATIS.3GPP.25.223V1100-2014 | 11.0.0 | Approved | May 14 | https://www.atis.org/docstore/default.aspx |
| CCSA | CCSA-TSD-TDD-25.223 | 11.0.0 | Published | Jun 14 | http://www.ccsa.org.cn/english/tc/files.php?docpath=/ITU-R/M.1457/M.1457-12/TDD |
| ETSI | ETSI TS 125 223 | 11.0.0 | Published | Sep 12 | http://www.etsi.org/deliver/etsi_ts/125200_125299/125223/11.00.00_60/ |

5.3.2.1.6 TS 25.224

Physical layer procedures (TDD)

This specification describes the physical layer procedures in the TDD mode of UTRA.

| SDO (2) | Document No. | Version | Status | Issued date | Location (1) |
|-------------------|----------------------------|---------|-----------|-------------|---|
| Release 99 | | | | | |
| ARIB | ARIB STD-T63-25.224 | 3.13.0 | Approved | Jul 13 | http://www.arib.or.jp/english/html/overview/doc/STD-T63v10_00/2_T63/ARIB-STD-T63/R99/25/A25224-3d0.pdf |
| ATIS | T1.3GPP.25.224V3130-2004 | 3.13.0 | Approved | May 04 | https://www.atis.org/docstore/default.aspx |
| CCSA | CCSA-TSD-TDD-25.224 | 3.13.0 | Published | Oct 03 | http://www.ccsa.org.cn/english/tc/files.php?docpath=/ITU-R/M.1457/M.1457-12/TDD |
| ETSI | ETSI TS 125 224 | 3.13.0 | Published | Oct 03 | http://www.etsi.org/deliver/etsi_ts/125200_125299/125224/03.13.00_60/ |
| Release 4 | | | | | |
| ARIB | ARIB STD-T63-25.224 | 4.11.0 | Approved | Jul 13 | http://www.arib.or.jp/english/html/overview/doc/STD-T63v10_00/2_T63/ARIB-STD-T63/Rel4/25/A25224-4b0.pdf |
| ATIS | ATIS.3GPP.25.224V4110-2005 | 4.11.0 | Approved | Apr 05 | https://www.atis.org/docstore/default.aspx |
| CCSA | CCSA-TSD-TDD-25.224 | 4.11.0 | Published | Oct 04 | http://www.ccsa.org.cn/english/tc/files.php?docpath=/ITU-R/M.1457/M.1457-12/TDD |
| ETSI | ETSI TS 125 224 | 4.11.0 | Published | Oct 04 | http://www.etsi.org/deliver/etsi_ts/125200_125299/125224/04.11.00_60/ |
| Release 5 | | | | | |
| ARIB | ARIB STD-T63-25.224 | 5.9.0 | Approved | Jul 13 | http://www.arib.or.jp/english/html/overview/doc/STD-T63v10_00/2_T63/ARIB-STD-T63/Rel5/25/A25224-590.pdf |
| ATIS | ATIS.3GPP.25.224V590-2006 | 5.9.0 | Approved | Apr 06 | https://www.atis.org/docstore/default.aspx |

| | | | | | |
|-------------------|----------------------------|--------|-----------|--------|---|
| CCSA | CCSA-TSD-TDD-25.224 | 5.9.0 | Published | Jan 06 | http://www.ccsa.org.cn/english/tc/files.php?docpath=/ITU-R/M.1457/M.1457-12/TDD |
| ETSI | ETSI TS 125 224 | 5.9.0 | Published | Jan 06 | http://www.etsi.org/deliver/etsi_ts/125200_125299/125224/05.09.00_60/ |
| Release 6 | | | | | |
| ARIB | ARIB STD-T63-25.224 | 6.7.0 | Approved | Jul 13 | http://www.arib.or.jp/english/html/overview/doc/STD-T63v10_00/2_T63/ARIB-STD-T63/Rel6/25/A25224-670.pdf |
| ATIS | ATIS.3GPP.25.224V670-2007 | 6.7.0 | Approved | Oct 07 | https://www.atis.org/docstore/default.aspx |
| CCSA | CCSA-TSD-TDD-25.224 | 6.7.0 | Published | Mar 07 | http://www.ccsa.org.cn/english/tc/files.php?docpath=/ITU-R/M.1457/M.1457-12/TDD |
| ETSI | ETSI TS 125 224 | 6.7.0 | Published | Mar 07 | http://www.etsi.org/deliver/etsi_ts/125200_125299/125224/06.07.00_60/ |
| Release 7 | | | | | |
| ARIB | ARIB STD-T63-25.224 | 7.12.0 | Approved | Jul 13 | http://www.arib.or.jp/english/html/overview/doc/STD-T63v10_00/2_T63/ARIB-STD-T63/Rel7/25/A25224-7c0.pdf |
| ATIS | ATIS.3GPP.25.224V7120-2010 | 7.12.0 | Approved | Jul 10 | https://www.atis.org/docstore/default.aspx |
| CCSA | CCSA-TSD-TDD-25.224 | 7.12.0 | Published | Mar 10 | http://www.ccsa.org.cn/english/tc/files.php?docpath=/ITU-R/M.1457/M.1457-12/TDD |
| ETSI | ETSI TS 125 224 | 7.12.0 | Published | Oct 09 | http://www.etsi.org/deliver/etsi_ts/125200_125299/125224/07.12.00_60/ |
| Release 8 | | | | | |
| ATIS | ATIS.3GPP.25.224V890-2012 | 8.9.0 | Approved | Jul 12 | https://www.atis.org/docstore/default.aspx |
| CCSA | CCSA-TSD-TDD-25.224 | 8.9.0 | Published | Jun 12 | http://www.ccsa.org.cn/english/tc/files.php?docpath=/ITU-R/M.1457/M.1457-12/TDD |
| ETSI | ETSI TS 125 224 | 8.9.0 | Published | Jan 11 | http://www.etsi.org/deliver/etsi_ts/125200_125299/125224/08.09.00_60/ |
| Release 9 | | | | | |
| ATIS | ATIS.3GPP.25.224V940-2012 | 9.4.0 | Approved | Jul 12 | https://www.atis.org/docstore/default.aspx |
| CCSA | CCSA-TSD-TDD-25.224 | 9.4.0 | Published | Jun 12 | http://www.ccsa.org.cn/english/tc/files.php?docpath=/ITU-R/M.1457/M.1457-12/TDD |
| ETSI | ETSI TS 125 224 | 9.4.0 | Published | Apr 11 | http://www.etsi.org/deliver/etsi_ts/125200_125299/125224/09.04.00_60/ |
| Release 10 | | | | | |
| ATIS | ATIS.3GPP.25.224V1030-2012 | 10.3.0 | Approved | Jul 12 | https://www.atis.org/docstore/default.aspx |
| CCSA | CCSA-TSD-TDD-25.224 | 10.3.0 | Published | Jun 12 | http://www.ccsa.org.cn/english/tc/files.php?docpath=/ITU-R/M.1457/M.1457-12/TDD |
| ETSI | ETSI TS 125 224 | 10.3.0 | Published | Oct 11 | http://www.etsi.org/deliver/etsi_ts/125200_125299/125224/10.03.00_60/ |
| Release 11 | | | | | |
| ATIS | ATIS.3GPP.25.224V1110-2014 | 11.1.0 | Approved | May 14 | https://www.atis.org/docstore/default.aspx |
| CCSA | CCSA-TSD-TDD-25.224 | 11.1.0 | Published | Jun 14 | http://www.ccsa.org.cn/english/tc/files.php?docpath=/ITU-R/M.1457/M.1457-12/TDD |
| ETSI | ETSI TS 125 224 | 11.1.0 | Published | Jan 13 | http://www.etsi.org/deliver/etsi_ts/125200_125299/125224/11.01.00_60/ |

5.3.2.1.7 TS 25.225

Physical layer; Measurements (TDD)

This specification describes the description of the measurements done at the UE and network in order to support operation in idle mode and connected mode for TDD mode.

| SDO (2) | Document No. | Version | Status | Issued date | Location (1) |
|-------------------|--------------------------|---------|-----------|-------------|---|
| Release 99 | | | | | |
| ARIB | ARIB STD-T63-25.225 | 3.12.0 | Approved | Jul 13 | http://www.arib.or.jp/english/html/overview/doc/STD-T63v10_00/2_T63/ARIB-STD-T63/R99/25/A25225-3c0.pdf |
| ATIS | T1.3GPP.25.225V3120-2004 | 3.12.0 | Approved | May 04 | https://www.atis.org/docstore/default.aspx |
| CCSA | CCSA-TSD-TDD-25.225 | 3.12.0 | Published | Jul 03 | http://www.ccsa.org.cn/english/tc/files.php?docpath=/ITU-R/M.1457/M.1457-12/TDD |
| ETSI | ETSI TS 125 225 | 3.12.0 | Published | Jul 03 | http://www.etsi.org/deliver/etsi_ts/125200_125299/125225/03.12.00_60/ |
| Release 4 | | | | | |
| ARIB | ARIB STD-T63-25.225 | 4.8.0 | Approved | Jul 13 | http://www.arib.or.jp/english/html/overview/doc/STD-T63v10_00/2_T63/ARIB-STD-T63/Rel4/25/A25225-480.pdf |

| | | | | | |
|-------------------|----------------------------|--------|-----------|--------|---|
| ATIS | ATIS.3GPP.25.225V480-2005 | 4.8.0 | Approved | Apr 05 | https://www.atis.org/docstore/default.aspx |
| CCSA | CCSA-TSD-TDD-25.225 | 4.8.0 | Published | May 04 | http://www.ccsa.org.cn/english/tc/files.php?docpath=/ITU-R/M.1457/M.1457-12/TDD |
| ETSI | ETSI TS 125 225 | 4.8.0 | Published | May 04 | http://www.etsi.org/deliver/etsi_ts/125200_125299/125225/04.08.00_60/ |
| Release 5 | | | | | |
| ARIB | ARIB STD-T63-25.225 | 5.7.0 | Approved | Jul 13 | http://www.arib.or.jp/english/html/overview/doc/STD-T63v10_00/2_T63/ARIB-STD-T63/Rel5/25/A25225-570.pdf |
| ATIS | ATIS.3GPP.25.225V570-2005 | 5.7.0 | Approved | Apr 05 | https://www.atis.org/docstore/default.aspx |
| CCSA | CCSA-TSD-TDD-25.225 | 5.7.0 | Published | May 04 | http://www.ccsa.org.cn/english/tc/files.php?docpath=/ITU-R/M.1457/M.1457-12/TDD |
| ETSI | ETSI TS 125 225 | 5.7.0 | Published | May 04 | http://www.etsi.org/deliver/etsi_ts/125200_125299/125225/05.07.00_60/ |
| Release 6 | | | | | |
| ARIB | ARIB STD-T63-25.225 | 6.3.0 | Approved | Jul 13 | http://www.arib.or.jp/english/html/overview/doc/STD-T63v10_00/2_T63/ARIB-STD-T63/Rel6/25/A25225-630.pdf |
| ATIS | ATIS.3GPP.25.225V630-2007 | 6.3.0 | Approved | Oct 07 | https://www.atis.org/docstore/default.aspx |
| CCSA | CCSA-TSD-TDD-25.225 | 6.3.0 | Published | Mar 07 | http://www.ccsa.org.cn/english/tc/files.php?docpath=/ITU-R/M.1457/M.1457-12/TDD |
| ETSI | ETSI TS 125 225 | 6.3.0 | Published | Mar 07 | http://www.etsi.org/deliver/etsi_ts/125200_125299/125225/06.03.00_60/ |
| Release 7 | | | | | |
| ARIB | ARIB STD-T63-25.225 | 7.5.0 | Approved | Jul 13 | http://www.arib.or.jp/english/html/overview/doc/STD-T63v10_00/2_T63/ARIB-STD-T63/Rel7/25/A25225-750.pdf |
| ATIS | ATIS.3GPP.25.225V750-2012 | 7.5.0 | Approved | Jul 12 | https://www.atis.org/docstore/default.aspx |
| CCSA | CCSA-TSD-TDD-25.225 | 7.5.0 | Published | Jun 12 | http://www.ccsa.org.cn/english/tc/files.php?docpath=/ITU-R/M.1457/M.1457-12/TDD |
| ETSI | ETSI TS 125 225 | 7.5.0 | Published | Jun 10 | http://www.etsi.org/deliver/etsi_ts/125200_125299/125225/07.05.00_60/ |
| Release 8 | | | | | |
| ATIS | ATIS.3GPP.25.225V840-2012 | 8.4.0 | Approved | Jul 12 | https://www.atis.org/docstore/default.aspx |
| CCSA | CCSA-TSD-TDD-25.225 | 8.4.0 | Published | Jun 12 | http://www.ccsa.org.cn/english/tc/files.php?docpath=/ITU-R/M.1457/M.1457-12/TDD |
| ETSI | ETSI TS 125 225 | 8.4.0 | Published | Jun 10 | http://www.etsi.org/deliver/etsi_ts/125200_125299/125225/08.04.00_60/ |
| Release 9 | | | | | |
| ATIS | ATIS.3GPP.25.225V920-2012 | 9.2.0 | Approved | Jul 12 | https://www.atis.org/docstore/default.aspx |
| CCSA | CCSA-TSD-TDD-25.225 | 9.2.0 | Published | Jun 12 | http://www.ccsa.org.cn/english/tc/files.php?docpath=/ITU-R/M.1457/M.1457-12/TDD |
| ETSI | ETSI TS 125 225 | 9.2.0 | Published | Jun 10 | http://www.etsi.org/deliver/etsi_ts/125200_125299/125225/09.02.00_60/ |
| Release 10 | | | | | |
| ATIS | ATIS.3GPP.25.225V1010-2012 | 10.1.0 | Approved | Jul 12 | https://www.atis.org/docstore/default.aspx |
| CCSA | CCSA-TSD-TDD-25.225 | 10.1.0 | Published | Jun 12 | http://www.ccsa.org.cn/english/tc/files.php?docpath=/ITU-R/M.1457/M.1457-12/TDD |
| ETSI | ETSI TS 125 225 | 10.1.0 | Published | Jul 11 | http://www.etsi.org/deliver/etsi_ts/125200_125299/125225/10.01.00_60/ |
| Release 11 | | | | | |
| ATIS | ATIS.3GPP.25.225V1100-2014 | 11.0.0 | Approved | May 14 | https://www.atis.org/docstore/default.aspx |
| CCSA | CCSA-TSD-TDD-25.225 | 11.0.0 | Published | Jun 14 | http://www.ccsa.org.cn/english/tc/files.php?docpath=/ITU-R/M.1457/M.1457-12/TDD |
| ETSI | ETSI TS 125 225 | 11.0.0 | Published | Sep 12 | http://www.etsi.org/deliver/etsi_ts/125200_125299/125225/11.00.00_60/ |

5.3.2.2 25.300 series

5.3.2.2.1 TS 25.301

Radio interface protocol architecture

This specification describes an overview and overall description of the UE-UTRAN radio interface protocol architecture. Details of the radio protocols will

be specified in companion documents.

| SDO (2) | Document No. | Version | Status | Issued date | Location (1) |
|-------------------|----------------------------|---------|-----------|-------------|---|
| Release 99 | | | | | |
| ARIB | ARIB STD-T63-25.301 | 3.11.0 | Approved | Jul 13 | http://www.arib.or.jp/english/html/overview/doc/STD-T63v10_00/2_T63/ARIB-STD-T63/R99/25/A25301-3b0.pdf |
| ATIS | T1.3GPP.25.301V3110-2003 | 3.11.0 | Approved | Mar 03 | https://www.atis.org/docstore/default.aspx |
| CCSA | CCSA-TSD-TDD-25.301 | 3.11.0 | Published | Oct 02 | http://www.ccsa.org.cn/english/tc/files.php?docpath=/ITU-R/M.1457/M.1457-12/TDD |
| ETSI | ETSI TS 125 301 | 3.11.0 | Published | Oct 02 | http://www.etsi.org/deliver/etsi_ts/125300_125399/125301/03.11.00_60/ |
| Release 4 | | | | | |
| ARIB | ARIB STD-T63-25.301 | 4.4.0 | Approved | Jul 13 | http://www.arib.or.jp/english/html/overview/doc/STD-T63v10_00/2_T63/ARIB-STD-T63/Rel4/25/A25301-440.pdf |
| ATIS | T1.3GPP.25.301V440-2003 | 4.4.0 | Approved | Mar 03 | https://www.atis.org/docstore/default.aspx |
| CCSA | CCSA-TSD-TDD-25.301 | 4.4.0 | Published | Oct 02 | http://www.ccsa.org.cn/english/tc/files.php?docpath=/ITU-R/M.1457/M.1457-12/TDD |
| ETSI | ETSI TS 125 301 | 4.4.0 | Published | Oct 02 | http://www.etsi.org/deliver/etsi_ts/125300_125399/125301/04.04.00_60/ |
| Release 5 | | | | | |
| ARIB | ARIB STD-T63-25.301 | 5.6.0 | Approved | Jul 13 | http://www.arib.or.jp/english/html/overview/doc/STD-T63v10_00/2_T63/ARIB-STD-T63/Rel5/25/A25301-560.pdf |
| ATIS | ATIS.3GPP.25.301V560-2006 | 5.6.0 | Approved | Apr 06 | https://www.atis.org/docstore/default.aspx |
| CCSA | CCSA-TSD-TDD-25.301 | 5.6.0 | Published | Oct 05 | http://www.ccsa.org.cn/english/tc/files.php?docpath=/ITU-R/M.1457/M.1457-12/TDD |
| ETSI | ETSI TS 125 301 | 5.6.0 | Published | Oct 05 | http://www.etsi.org/deliver/etsi_ts/125300_125399/125301/05.06.00_60/ |
| Release 6 | | | | | |
| ARIB | ARIB STD-T63-25.301 | 6.6.0 | Approved | Jul 13 | http://www.arib.or.jp/english/html/overview/doc/STD-T63v10_00/2_T63/ARIB-STD-T63/Rel6/25/A25301-660.pdf |
| ATIS | ATIS.3GPP.25.301V660-2008 | 6.6.0 | Approved | Oct 08 | https://www.atis.org/docstore/default.aspx |
| CCSA | CCSA-TSD-TDD-25.301 | 6.6.0 | Published | Apr 08 | http://www.ccsa.org.cn/english/tc/files.php?docpath=/ITU-R/M.1457/M.1457-12/TDD |
| ETSI | ETSI TS 125 301 | 6.6.0 | Published | Apr 08 | http://www.etsi.org/deliver/etsi_ts/125300_125399/125301/06.06.00_60/ |
| Release 7 | | | | | |
| ARIB | ARIB STD-T63-25.301 | 7.5.0 | Approved | Jul 13 | http://www.arib.or.jp/english/html/overview/doc/STD-T63v10_00/2_T63/ARIB-STD-T63/Rel7/25/A25301-750.pdf |
| ATIS | ATIS.3GPP.25.301V750-2012 | 7.5.0 | Approved | Jul 12 | https://www.atis.org/docstore/default.aspx |
| CCSA | CCSA-TSD-TDD-25.301 | 7.5.0 | Published | Jun 12 | http://www.ccsa.org.cn/english/tc/files.php?docpath=/ITU-R/M.1457/M.1457-12/TDD |
| ETSI | ETSI TS 125 301 | 7.5.0 | Published | Jun 10 | http://www.etsi.org/deliver/etsi_ts/125300_125399/125301/07.05.00_60/ |
| Release 8 | | | | | |
| ARIB | ARIB STD-T63-25.301 | 8.7.0 | Approved | Jul 13 | http://www.arib.or.jp/english/html/overview/doc/STD-T63v10_00/2_T63/ARIB-STD-T63/Rel8/25/A25301-870.pdf |
| ATIS | ATIS.3GPP.25.301V870-2012 | 8.7.0 | Approved | Jul 12 | https://www.atis.org/docstore/default.aspx |
| CCSA | CCSA-TSD-TDD-25.301 | 8.7.0 | Published | Jun 12 | http://www.ccsa.org.cn/english/tc/files.php?docpath=/ITU-R/M.1457/M.1457-12/TDD |
| ETSI | ETSI TS 125 301 | 8.7.0 | Published | Jun 10 | http://www.etsi.org/deliver/etsi_ts/125300_125399/125301/08.07.00_60/ |
| Release 9 | | | | | |
| ARIB | ARIB STD-T63-25.301 | 9.2.0 | Approved | Jul 13 | http://www.arib.or.jp/english/html/overview/doc/STD-T63v10_00/2_T63/ARIB-STD-T63/Rel9/25/A25301-920.pdf |
| ATIS | ATIS.3GPP.25.301V920-2012 | 9.2.0 | Approved | Jul 12 | https://www.atis.org/docstore/default.aspx |
| CCSA | CCSA-TSD-TDD-25.301 | 9.2.0 | Published | Jun 12 | http://www.ccsa.org.cn/english/tc/files.php?docpath=/ITU-R/M.1457/M.1457-12/TDD |
| ETSI | ETSI TS 125 301 | 9.2.0 | Published | Jun 10 | http://www.etsi.org/deliver/etsi_ts/125300_125399/125301/09.02.00_60/ |
| Release 10 | | | | | |
| ARIB | ARIB STD-T63-25.301 | 10.0.0 | Approved | Jul 13 | http://www.arib.or.jp/english/html/overview/doc/STD-T63v10_00/2_T63/ARIB-STD-T63/Rel10/25/A25301-a00.pdf |
| ATIS | ATIS.3GPP.25.301V1000-2012 | 10.0.0 | Approved | Jul 12 | https://www.atis.org/docstore/default.aspx |
| CCSA | CCSA-TSD-TDD-25.301 | 10.0.0 | Published | Jun 12 | http://www.ccsa.org.cn/english/tc/files.php?docpath=/ITU-R/M.1457/M.1457-12/TDD |
| ETSI | ETSI TS 125 301 | 10.0.0 | Published | Mar 11 | http://www.etsi.org/deliver/etsi_ts/125300_125399/125301/10.00.00_60/ |
| Release 11 | | | | | |

| | | | | | |
|------|----------------------------|--------|-----------|--------|---|
| ARIB | ARIB STD-T63-25.301 | 11.0.0 | Approved | Jul 13 | http://www.arib.or.jp/english/html/overview/doc/STD-T63v10_00/2_T63/ARIB-STD-T63/Rel11/25/A25301-b00.pdf |
| ATIS | ATIS.3GPP.25.301V1100-2014 | 11.0.0 | Approved | May 14 | https://www.atis.org/docstore/default.aspx |
| CCSA | CCSA-TSD-TDD-25.301 | 11.0.0 | Published | Jun 14 | http://www.ccsa.org.cn/english/tc/files.php?docpath=/ITU-R/M.1457/M.1457-12/TDD |
| ETSI | ETSI TS 125 301 | 11.0.0 | Published | Sep 12 | http://www.etsi.org/deliver/etsi_ts/125300_125399/125301/11.00.00_60/ |

5.3.2.2.2 TS 25.302

Services provided by the physical layer

This specification describes a technical specification of the services provided by the physical layer of UTRA to upper layers.

| SDO (2) | Document No. | Version | Status | Issued date | Location (1) |
|-------------------|---------------------------|---------|-----------|-------------|---|
| Release 99 | | | | | |
| ARIB | ARIB STD-T63-25.302 | 3.16.0 | Approved | Jul 13 | http://www.arib.or.jp/english/html/overview/doc/STD-T63v10_00/2_T63/ARIB-STD-T63/R99/25/A25302-3g0.pdf |
| ATIS | T1.3GPP.25.302V3160-2004 | 3.16.0 | Approved | May 04 | https://www.atis.org/docstore/default.aspx |
| CCSA | CCSA-TSD-TDD-25.302 | 3.16.0 | Published | Oct 03 | http://www.ccsa.org.cn/english/tc/files.php?docpath=/ITU-R/M.1457/M.1457-12/TDD |
| ETSI | ETSI TS 125 302 | 3.16.0 | Published | Oct 03 | http://www.etsi.org/deliver/etsi_ts/125300_125399/125302/03.16.00_60/ |
| Release 4 | | | | | |
| ARIB | ARIB STD-T63-25.302 | 4.8.0 | Approved | Jul 13 | http://www.arib.or.jp/english/html/overview/doc/STD-T63v10_00/2_T63/ARIB-STD-T63/Rel4/25/A25302-480.pdf |
| ATIS | T1.3GPP.25.302V480-2004 | 4.8.0 | Approved | May 04 | https://www.atis.org/docstore/default.aspx |
| CCSA | CCSA-TSD-TDD-25.302 | 4.8.0 | Published | Oct 03 | http://www.ccsa.org.cn/english/tc/files.php?docpath=/ITU-R/M.1457/M.1457-12/TDD |
| ETSI | ETSI TS 125 302 | 4.8.0 | Published | Oct 03 | http://www.etsi.org/deliver/etsi_ts/125300_125399/125302/04.08.00_60/ |
| Release 5 | | | | | |
| ARIB | ARIB STD-T63-25.302 | 5.9.0 | Approved | Jul 13 | http://www.arib.or.jp/english/html/overview/doc/STD-T63v10_00/2_T63/ARIB-STD-T63/Rel5/25/A25302-590.pdf |
| ATIS | ATIS.3GPP.25.302V590-2006 | 5.9.0 | Approved | Apr 06 | https://www.atis.org/docstore/default.aspx |
| CCSA | CCSA-TSD-TDD-25.302 | 5.9.0 | Published | Oct 05 | http://www.ccsa.org.cn/english/tc/files.php?docpath=/ITU-R/M.1457/M.1457-12/TDD |
| ETSI | ETSI TS 125 302 | 5.9.0 | Published | Oct 05 | http://www.etsi.org/deliver/etsi_ts/125300_125399/125302/05.09.00_60/ |
| Release 6 | | | | | |
| ARIB | ARIB STD-T63-25.302 | 6.8.0 | Approved | Jul 13 | http://www.arib.or.jp/english/html/overview/doc/STD-T63v10_00/2_T63/ARIB-STD-T63/Rel6/25/A25302-680.pdf |
| ATIS | ATIS.3GPP.25.302V680-2007 | 6.8.0 | Approved | Oct 07 | https://www.atis.org/docstore/default.aspx |
| CCSA | CCSA-TSD-TDD-25.302 | 6.8.0 | Published | Oct 06 | http://www.ccsa.org.cn/english/tc/files.php?docpath=/ITU-R/M.1457/M.1457-12/TDD |
| ETSI | ETSI TS 125 302 | 6.8.0 | Published | Oct 06 | http://www.etsi.org/deliver/etsi_ts/125300_125399/125302/06.08.00_60/ |
| Release 7 | | | | | |
| ARIB | ARIB STD-T63-25.302 | 7.9.0 | Approved | Jul 13 | http://www.arib.or.jp/english/html/overview/doc/STD-T63v10_00/2_T63/ARIB-STD-T63/Rel7/25/A25302-790.pdf |
| ATIS | ATIS.3GPP.25.302V790-2012 | 7.9.0 | Approved | Jul 12 | https://www.atis.org/docstore/default.aspx |
| CCSA | CCSA-TSD-TDD-25.302 | 7.9.0 | Published | Jun 12 | http://www.ccsa.org.cn/english/tc/files.php?docpath=/ITU-R/M.1457/M.1457-12/TDD |
| ETSI | ETSI TS 125 302 | 7.9.0 | Published | Oct 10 | http://www.etsi.org/deliver/etsi_ts/125300_125399/125302/07.09.00_60/ |
| Release 8 | | | | | |
| ARIB | ARIB STD-T63-25.302 | 8.7.0 | Approved | Jul 13 | http://www.arib.or.jp/english/html/overview/doc/STD-T63v10_00/2_T63/ARIB-STD-T63/Rel8/25/A25302-870.pdf |
| ATIS | ATIS.3GPP.25.302V870-2012 | 8.7.0 | Approved | Jul 12 | https://www.atis.org/docstore/default.aspx |
| CCSA | CCSA-TSD-TDD-25.302 | 8.7.0 | Published | Jun 12 | http://www.ccsa.org.cn/english/tc/files.php?docpath=/ITU-R/M.1457/M.1457-12/TDD |
| ETSI | ETSI TS 125 302 | 8.7.0 | Published | Oct 10 | http://www.etsi.org/deliver/etsi_ts/125300_125399/125302/08.07.00_60/ |

Release 9

| | | | | | |
|------|---------------------------|-------|-----------|--------|---|
| ARIB | ARIB STD-T63-25.302 | 9.2.0 | Approved | Jul 13 | http://www.arib.or.jp/english/html/overview/doc/STD-T63v10_00/2_T63/ARIB-STD-T63/Rel9/25/A25302-920.pdf |
| ATIS | ATIS.3GPP.25.302V920-2012 | 9.2.0 | Approved | Jul 12 | https://www.atis.org/docstore/default.aspx |
| CCSA | CCSA-TSD-TDD-25.302 | 9.2.0 | Published | Jun 12 | http://www.ccsa.org.cn/english/tc/files.php?docpath=/ITU-R/M.1457/M.1457-12/TDD |
| ETSI | ETSI TS 125 302 | 9.2.0 | Published | Oct 10 | http://www.etsi.org/deliver/etsi_ts/125300_125399/125302/09.02.00_60/ |

Release 10

| | | | | | |
|------|----------------------------|--------|-----------|--------|---|
| ARIB | ARIB STD-T63-25.302 | 10.2.0 | Approved | Jul 13 | http://www.arib.or.jp/english/html/overview/doc/STD-T63v10_00/2_T63/ARIB-STD-T63/Rel10/25/A25302-a20.pdf |
| ATIS | ATIS.3GPP.25.302V1020-2012 | 10.2.0 | Approved | Jul 12 | https://www.atis.org/docstore/default.aspx |
| CCSA | CCSA-TSD-TDD-25.302 | 10.2.0 | Published | Jun 12 | http://www.ccsa.org.cn/english/tc/files.php?docpath=/ITU-R/M.1457/M.1457-12/TDD |
| ETSI | ETSI TS 125 302 | 10.2.0 | Published | Oct 11 | http://www.etsi.org/deliver/etsi_ts/125300_125399/125302/10.02.00_60/ |

Release 11

| | | | | | |
|------|----------------------------|--------|-----------|--------|---|
| ARIB | ARIB STD-T63-25.302 | 11.3.0 | Approved | Jul 13 | http://www.arib.or.jp/english/html/overview/doc/STD-T63v10_00/2_T63/ARIB-STD-T63/Rel11/25/A25302-b30.pdf |
| ATIS | ATIS.3GPP.25.302V1130-2014 | 11.3.0 | Approved | May 14 | https://www.atis.org/docstore/default.aspx |
| CCSA | CCSA-TSD-TDD-25.302 | 11.4.0 | Published | Jun 14 | http://www.ccsa.org.cn/english/tc/files.php?docpath=/ITU-R/M.1457/M.1457-12/TDD |
| ETSI | ETSI TS 125 302 | 11.3.0 | Published | Apr 13 | http://www.etsi.org/deliver/etsi_ts/125300_125399/125302/11.03.00_60/ |

5.3.2.2.3 TS 25.303**Interlayer procedures in Connected Mode**

This specification describes informative interlayer procedures to perform the required tasks. This specification attempts to provide a comprehensive overview of the different states and transitions within the connected mode of universal mobile telecommunications system (UMTS) terminal.

| SDO (2) | Document No. | Version | Status | Issued date | Location (1) |
|-------------------|---------------------------|---------|-----------|-------------|---|
| Release 99 | | | | | |
| ARIB | ARIB STD-T63-25.303 | 3.12.0 | Approved | Jul 13 | http://www.arib.or.jp/english/html/overview/doc/STD-T63v10_00/2_T63/ARIB-STD-T63/R99/25/A25303-3c0.pdf |
| ATIS | T1.3GPP.25.303V3120-2003 | 3.12.0 | Approved | Mar 03 | https://www.atis.org/docstore/default.aspx |
| CCSA | CCSA-TSD-TDD-25.303 | 3.12.0 | Published | Jun 02 | http://www.ccsa.org.cn/english/tc/files.php?docpath=/ITU-R/M.1457/M.1457-12/TDD |
| ETSI | ETSI TS 125 303 | 3.12.0 | Published | Jun 02 | http://www.etsi.org/deliver/etsi_ts/125300_125399/125303/03.12.00_60/ |
| Release 4 | | | | | |
| ARIB | ARIB STD-T63-25.303 | 4.5.0 | Approved | Jul 13 | http://www.arib.or.jp/english/html/overview/doc/STD-T63v10_00/2_T63/ARIB-STD-T63/Rel4/25/A25303-450.pdf |
| ATIS | T1.3GPP.25.303V450-2003 | 4.5.0 | Approved | Mar 03 | https://www.atis.org/docstore/default.aspx |
| CCSA | CCSA-TSD-TDD-25.303 | 4.5.0 | Published | Jun 02 | http://www.ccsa.org.cn/english/tc/files.php?docpath=/ITU-R/M.1457/M.1457-12/TDD |
| ETSI | ETSI TS 125 303 | 4.5.0 | Published | Jun 02 | http://www.etsi.org/deliver/etsi_ts/125300_125399/125303/04.05.00_60/ |
| Release 5 | | | | | |
| ARIB | ARIB STD-T63-25.303 | 5.3.0 | Approved | Jul 13 | http://www.arib.or.jp/english/html/overview/doc/STD-T63v10_00/2_T63/ARIB-STD-T63/Rel5/25/A25303-530.pdf |
| ATIS | ATIS.3GPP.25.303V530-2006 | 5.3.0 | Approved | Apr 06 | https://www.atis.org/docstore/default.aspx |
| CCSA | CCSA-TSD-TDD-25.303 | 5.3.0 | Published | Jul 05 | http://www.ccsa.org.cn/english/tc/files.php?docpath=/ITU-R/M.1457/M.1457-12/TDD |
| ETSI | ETSI TS 125 303 | 5.3.0 | Published | Jul 05 | http://www.etsi.org/deliver/etsi_ts/125300_125399/125303/05.03.00_60/ |
| Release 6 | | | | | |
| ARIB | ARIB STD-T63-25.303 | 6.3.0 | Approved | Jul 13 | http://www.arib.or.jp/english/html/overview/doc/STD-T63v10_00/2_T63/ARIB-STD-T63/Rel6/25/A25303-630.pdf |
| ATIS | ATIS.3GPP.25.303V630-2006 | 6.3.0 | Approved | Apr 06 | https://www.atis.org/docstore/default.aspx |
| CCSA | CCSA-TSD-TDD-25.303 | 6.3.0 | Published | Jul 05 | http://www.ccsa.org.cn/english/tc/files.php?docpath=/ITU-R/M.1457/M.1457-12/TDD |
| ETSI | ETSI TS 125 303 | 6.3.0 | Published | Jul 05 | http://www.etsi.org/deliver/etsi_ts/125300_125399/125303/06.03.00_60/ |

Release 7

| | | | | | |
|------|---------------------------|-------|-----------|--------|---|
| ARIB | ARIB STD-T63-25.303 | 7.0.0 | Approved | Jul 13 | http://www.arib.or.jp/english/html/overview/doc/STD-T63v10_00/2_T63/ARIB-STD-T63/Rel7/25/A25303-700.pdf |
| ATIS | ATIS.3GPP.25.303V700-2007 | 7.0.0 | Approved | Oct 07 | https://www.atis.org/docstore/default.aspx |
| CCSA | CCSA-TSD-TDD-25.303 | 7.0.0 | Published | Jun 06 | http://www.ccsa.org.cn/english/tc/files.php?docpath=/ITU-R/M.1457/M.1457-12/TDD |
| ETSI | ETSI TS 125 303 | 7.0.0 | Published | Jun 06 | http://www.etsi.org/deliver/etsi_ts/125300_125399/125303/07.00.00_60/ |

Release 8

| | | | | | |
|------|---------------------------|-------|-----------|--------|---|
| ARIB | ARIB STD-T63-25.303 | 8.0.0 | Approved | Jul 13 | http://www.arib.or.jp/english/html/overview/doc/STD-T63v10_00/2_T63/ARIB-STD-T63/Rel8/25/A25303-800.pdf |
| ATIS | ATIS.3GPP.25.303V800-2008 | 8.0.0 | Approved | Oct 08 | https://www.atis.org/docstore/default.aspx |
| CCSA | CCSA-TSD-TDD-25.303 | 8.0.0 | Published | Oct 08 | http://www.ccsa.org.cn/english/tc/files.php?docpath=/ITU-R/M.1457/M.1457-12/TDD |
| ETSI | ETSI TS 125 303 | 8.0.0 | Published | Oct 08 | http://www.etsi.org/deliver/etsi_ts/125300_125399/125303/08.00.00_60/ |

Release 9

| | | | | | |
|------|---------------------------|-------|-----------|--------|---|
| ARIB | ARIB STD-T63-25.303 | 9.0.0 | Approved | Jul 13 | http://www.arib.or.jp/english/html/overview/doc/STD-T63v10_00/2_T63/ARIB-STD-T63/Rel9/25/A25303-900.pdf |
| ATIS | ATIS.3GPP.25.303V900-2010 | 9.0.0 | Approved | Jul 10 | https://www.atis.org/docstore/default.aspx |
| CCSA | CCSA-TSD-TDD-25.303 | 9.0.0 | Published | Mar 10 | http://www.ccsa.org.cn/english/tc/files.php?docpath=/ITU-R/M.1457/M.1457-12/TDD |
| ETSI | ETSI TS 125 303 | 9.0.0 | Published | Feb 10 | http://www.etsi.org/deliver/etsi_ts/125300_125399/125303/09.00.00_60/ |

Release 10

| | | | | | |
|------|----------------------------|--------|-----------|--------|---|
| ARIB | ARIB STD-T63-25.303 | 10.0.0 | Approved | Jul 13 | http://www.arib.or.jp/english/html/overview/doc/STD-T63v10_00/2_T63/ARIB-STD-T63/Rel10/25/A25303-a00.pdf |
| ATIS | ATIS.3GPP.25.303V1000-2012 | 10.0.0 | Approved | Jul 12 | https://www.atis.org/docstore/default.aspx |
| CCSA | CCSA-TSD-TDD-25.303 | 10.0.0 | Published | Jun 12 | http://www.ccsa.org.cn/english/tc/files.php?docpath=/ITU-R/M.1457/M.1457-12/TDD |
| ETSI | ETSI TS 125 303 | 10.0.0 | Published | Mar 11 | http://www.etsi.org/deliver/etsi_ts/125300_125399/125303/10.00.00_60/ |

Release 11

| | | | | | |
|------|----------------------------|--------|-----------|--------|---|
| ARIB | ARIB STD-T63-25.303 | 11.0.0 | Approved | Jul 13 | http://www.arib.or.jp/english/html/overview/doc/STD-T63v10_00/2_T63/ARIB-STD-T63/Rel11/25/A25303-b00.pdf |
| ATIS | ATIS.3GPP.25.303V1100-2014 | 11.0.0 | Approved | May 14 | https://www.atis.org/docstore/default.aspx |
| CCSA | CCSA-TSD-TDD-25.303 | 11.0.0 | Published | Jun 14 | http://www.ccsa.org.cn/english/tc/files.php?docpath=/ITU-R/M.1457/M.1457-12/TDD |
| ETSI | ETSI TS 125 303 | 11.0.0 | Published | Sep 12 | http://www.etsi.org/deliver/etsi_ts/125300_125399/125303/11.00.00_60/ |

5.3.2.2.4 TS 25.304**User Equipment (UE) procedures in idle mode and procedures for cell reselection in connected mode**

This specification describes the overall idle mode process for the UE and the functional division between the non-access stratum and access stratum in the UE. The UE is in idle mode when the connection of the UE is closed on all layers, e.g. there is neither an MM connection nor an RRC connection.

This specification presents also examples of inter-layer procedures related to the idle mode processes and describes idle mode functionality of a dual mode UMTS/GSM UE.

| SDO (2) | Document No. | Version | Status | Issued date | Location (1) |
|-------------------|----------------------------|---------|-----------|-------------|---|
| Release 99 | | | | | |
| ARIB | ARIB STD-T63-25.304 | 3.14.0 | Approved | Jul 13 | http://www.arib.or.jp/english/html/overview/doc/STD-T63v10_00/2_T63/ARIB-STD-T63/R99/25/A25304-3e0.pdf |
| ATIS | ATIS.3GPP.25.304V3140-2005 | 3.14.0 | Approved | Apr 05 | https://www.atis.org/docstore/default.aspx |
| CCSA | CCSA-TSD-TDD-25.304 | 3.14.0 | Published | Jun 04 | http://www.ccsa.org.cn/english/tc/files.php?docpath=/ITU-R/M.1457/M.1457-12/TDD |
| ETSI | ETSI TS 125 304 | 3.14.0 | Published | Jun 04 | http://www.etsi.org/deliver/etsi_ts/125300_125399/125304/03.14.00_60/ |
| Release 4 | | | | | |
| ARIB | ARIB STD-T63-25.304 | 4.8.0 | Approved | Jul 13 | http://www.arib.or.jp/english/html/overview/doc/STD-T63v10_00/2_T63/ARIB-STD-T63/Rel4/25/A25304-480.pdf |

| | | | | | |
|-------------------|----------------------------|--------|-----------|--------|---|
| ATIS | ATIS.3GPP.25.304V480-2005 | 4.8.0 | Approved | Apr 05 | https://www.atis.org/docstore/default.aspx |
| CCSA | CCSA-TSD-TDD-25.304 | 4.8.0 | Published | Apr 04 | http://www.ccsa.org.cn/english/tc/files.php?docpath=/ITU-R/M.1457/M.1457-12/TDD |
| ETSI | ETSI TS 125 304 | 4.8.0 | Published | Apr 04 | http://www.etsi.org/deliver/etsi_ts/125300_125399/125304/04.08.00_60/ |
| Release 5 | | | | | |
| ARIB | ARIB STD-T63-25.304 | 5.9.0 | Approved | Jul 13 | http://www.arib.or.jp/english/html/overview/doc/STD-T63v10_00/2_T63/ARIB-STD-T63/Rel5/25/A25304-590.pdf |
| ATIS | ATIS.3GPP.25.304V590-2006 | 5.9.0 | Approved | Apr 06 | https://www.atis.org/docstore/default.aspx |
| CCSA | CCSA-TSD-TDD-25.304 | 5.9.0 | Published | Oct 05 | http://www.ccsa.org.cn/english/tc/files.php?docpath=/ITU-R/M.1457/M.1457-12/TDD |
| ETSI | ETSI TS 125 304 | 5.9.0 | Published | Oct 05 | http://www.etsi.org/deliver/etsi_ts/125300_125399/125304/05.09.00_60/ |
| Release 6 | | | | | |
| ARIB | ARIB STD-T63-25.304 | 6.10.0 | Approved | Jul 13 | http://www.arib.or.jp/english/html/overview/doc/STD-T63v10_00/2_T63/ARIB-STD-T63/Rel6/25/A25304-6a0.pdf |
| ATIS | ATIS.3GPP.25.304V6100-2008 | 6.10.0 | Approved | Oct 08 | https://www.atis.org/docstore/default.aspx |
| CCSA | CCSA-TSD-TDD-25.304 | 6.10.0 | Published | Apr 08 | http://www.ccsa.org.cn/english/tc/files.php?docpath=/ITU-R/M.1457/M.1457-12/TDD |
| ETSI | ETSI TS 125 304 | 6.10.0 | Published | Apr 08 | http://www.etsi.org/deliver/etsi_ts/125300_125399/125304/06.10.00_60/ |
| Release 7 | | | | | |
| ARIB | ARIB STD-T63-25.304 | 7.8.0 | Approved | Jul 13 | http://www.arib.or.jp/english/html/overview/doc/STD-T63v10_00/2_T63/ARIB-STD-T63/Rel7/25/A25304-780.pdf |
| ATIS | ATIS.3GPP.25.304V780-2010 | 7.8.0 | Approved | Jul 10 | https://www.atis.org/docstore/default.aspx |
| CCSA | CCSA-TSD-TDD-25.304 | 7.8.0 | Published | Mar 10 | http://www.ccsa.org.cn/english/tc/files.php?docpath=/ITU-R/M.1457/M.1457-12/TDD |
| ETSI | ETSI TS 125 304 | 7.8.0 | Published | Oct 09 | http://www.etsi.org/deliver/etsi_ts/125300_125399/125304/07.08.00_60/ |
| Release 8 | | | | | |
| ARIB | ARIB STD-T63-25.304 | 8.12.0 | Approved | Jul 13 | http://www.arib.or.jp/english/html/overview/doc/STD-T63v10_00/2_T63/ARIB-STD-T63/Rel8/25/A25304-8c0.pdf |
| ATIS | ATIS.3GPP.25.304V8120-2012 | 8.12.0 | Approved | Jul 12 | https://www.atis.org/docstore/default.aspx |
| CCSA | CCSA-TSD-TDD-25.304 | 8.12.0 | Published | Jun 12 | http://www.ccsa.org.cn/english/tc/files.php?docpath=/ITU-R/M.1457/M.1457-12/TDD |
| ETSI | ETSI TS 125 304 | 8.12.0 | Published | Jul 11 | http://www.etsi.org/deliver/etsi_ts/125300_125399/125304/08.12.00_60/ |
| Release 9 | | | | | |
| ARIB | ARIB STD-T63-25.304 | 9.8.0 | Approved | Jul 13 | http://www.arib.or.jp/english/html/overview/doc/STD-T63v10_00/2_T63/ARIB-STD-T63/Rel9/25/A25304-980.pdf |
| ATIS | ATIS.3GPP.25.304V980-2014 | 9.8.0 | Approved | May 14 | https://www.atis.org/docstore/default.aspx |
| CCSA | CCSA-TSD-TDD-25.304 | 9.7.0 | Published | Jun 12 | http://www.ccsa.org.cn/english/tc/files.php?docpath=/ITU-R/M.1457/M.1457-12/TDD |
| ETSI | ETSI TS 125 304 | 9.8.0 | Published | Oct 12 | http://www.etsi.org/deliver/etsi_ts/125300_125399/125304/09.08.00_60/ |
| Release 10 | | | | | |
| ARIB | ARIB STD-T63-25.304 | 10.7.0 | Approved | Jul 13 | http://www.arib.or.jp/english/html/overview/doc/STD-T63v10_00/2_T63/ARIB-STD-T63/Rel10/25/A25304-a70.pdf |
| ATIS | ATIS.3GPP.25.304V1070-2014 | 10.7.0 | Approved | May 14 | https://www.atis.org/docstore/default.aspx |
| CCSA | CCSA-TSD-TDD-25.304 | 10.3.0 | Published | Jun 12 | http://www.ccsa.org.cn/english/tc/files.php?docpath=/ITU-R/M.1457/M.1457-12/TDD |
| ETSI | ETSI TS 125 304 | 10.7.0 | Published | Jan 13 | http://www.etsi.org/deliver/etsi_ts/125300_125399/125304/10.07.00_60/ |
| Release 11 | | | | | |
| ARIB | ARIB STD-T63-25.304 | 11.2.0 | Approved | Jul 13 | http://www.arib.or.jp/english/html/overview/doc/STD-T63v10_00/2_T63/ARIB-STD-T63/Rel11/25/A25304-b20.pdf |
| ATIS | ATIS.3GPP.25.304V1120-2014 | 11.2.0 | Approved | May 14 | https://www.atis.org/docstore/default.aspx |
| CCSA | CCSA-TSD-TDD-25.304 | 11.5.0 | Published | Jun 14 | http://www.ccsa.org.cn/english/tc/files.php?docpath=/ITU-R/M.1457/M.1457-12/TDD |
| ETSI | ETSI TS 125 304 | 11.2.0 | Published | Apr 13 | http://www.etsi.org/deliver/etsi_ts/125300_125399/125304/11.02.00_60/ |

5.3.2.2.5 TS 25.305

Stage 2 functional specification of User Equipment (UE) positioning in UTRAN

This document specifies the Stage 2 of the UE Positioning function of UTRAN, which provides the mechanisms to support the calculation of the geographical position of a UE.

| SDO (2) | Document No. | Version | Status | Issued date | Location (1) |
|-------------------|----------------------------|---------|-----------|-------------|---|
| Release 99 | | | | | |
| ARIB | ARIB STD-T63-25.305 | 3.11.0 | Approved | Jul 13 | http://www.arib.or.jp/english/html/overview/doc/STD-T63v10_00/2_T63/ARIB-STD-T63/R99/25/A25305-3b0.pdf |
| ATIS | T1.3GPP.25.305V3110-2004 | 3.11.0 | Approved | May 04 | https://www.atis.org/docstore/default.aspx |
| CCSA | CCSA-TSD-TDD-25.305 | 3.11.0 | Published | Jan 04 | http://www.ccsa.org.cn/english/tc/files.php?docpath=/ITU-R/M.1457/M.1457-12/TDD |
| ETSI | ETSI TS 125 305 | 3.11.0 | Published | Jan 04 | http://www.etsi.org/deliver/etsi_ts/125300_125399/125305/03.11.00_60/ |
| Release 4 | | | | | |
| ARIB | ARIB STD-T63-25.305 | 4.7.0 | Approved | Jul 13 | http://www.arib.or.jp/english/html/overview/doc/STD-T63v10_00/2_T63/ARIB-STD-T63/Rel4/25/A25305-470.pdf |
| ATIS | T1.3GPP.25.305V470-2004 | 4.7.0 | Approved | May 04 | https://www.atis.org/docstore/default.aspx |
| CCSA | CCSA-TSD-TDD-25.305 | 4.7.0 | Published | Jan 04 | http://www.ccsa.org.cn/english/tc/files.php?docpath=/ITU-R/M.1457/M.1457-12/TDD |
| ETSI | ETSI TS 125 305 | 4.7.0 | Published | Jan 04 | http://www.etsi.org/deliver/etsi_ts/125300_125399/125305/04.07.00_60/ |
| Release 5 | | | | | |
| ARIB | ARIB STD-T63-25.305 | 5.9.0 | Approved | Jul 13 | http://www.arib.or.jp/english/html/overview/doc/STD-T63v10_00/2_T63/ARIB-STD-T63/Rel5/25/A25305-590.pdf |
| ATIS | ATIS.3GPP.25.305V590-2005 | 5.9.0 | Approved | Apr 05 | https://www.atis.org/docstore/default.aspx |
| CCSA | CCSA-TSD-TDD-25.305 | 5.9.0 | Published | Jul 04 | http://www.ccsa.org.cn/english/tc/files.php?docpath=/ITU-R/M.1457/M.1457-12/TDD |
| ETSI | ETSI TS 125 305 | 5.9.0 | Published | Jul 04 | http://www.etsi.org/deliver/etsi_ts/125300_125399/125305/05.09.00_60/ |
| Release 6 | | | | | |
| ARIB | ARIB STD-T63-25.305 | 6.1.0 | Approved | Jul 13 | http://www.arib.or.jp/english/html/overview/doc/STD-T63v10_00/2_T63/ARIB-STD-T63/Rel6/25/A25305-610.pdf |
| ATIS | ATIS.3GPP.25.305V610-2005 | 6.1.0 | Approved | Apr 05 | https://www.atis.org/docstore/default.aspx |
| CCSA | CCSA-TSD-TDD-25.305 | 6.1.0 | Published | Jul 04 | http://www.ccsa.org.cn/english/tc/files.php?docpath=/ITU-R/M.1457/M.1457-12/TDD |
| ETSI | ETSI TS 125 305 | 6.1.0 | Published | Jul 04 | http://www.etsi.org/deliver/etsi_ts/125300_125399/125305/06.01.00_60/ |
| Release 7 | | | | | |
| ARIB | ARIB STD-T63-25.305 | 7.4.0 | Approved | Jul 13 | http://www.arib.or.jp/english/html/overview/doc/STD-T63v10_00/2_T63/ARIB-STD-T63/Rel7/25/A25305-740.pdf |
| ATIS | ATIS.3GPP.25.305V740-2007 | 7.4.0 | Approved | Oct 07 | https://www.atis.org/docstore/default.aspx |
| CCSA | CCSA-TSD-TDD-25.305 | 7.4.0 | Published | Oct 07 | http://www.ccsa.org.cn/english/tc/files.php?docpath=/ITU-R/M.1457/M.1457-12/TDD |
| ETSI | ETSI TS 125 305 | 7.4.0 | Published | Oct 07 | http://www.etsi.org/deliver/etsi_ts/125300_125399/125305/07.04.00_60/ |
| Release 8 | | | | | |
| ARIB | ARIB STD-T63-25.305 | 8.1.0 | Approved | Jul 13 | http://www.arib.or.jp/english/html/overview/doc/STD-T63v10_00/2_T63/ARIB-STD-T63/Rel8/25/A25305-810.pdf |
| ATIS | ATIS.3GPP.25.305V810-2009 | 8.1.0 | Approved | Jul 09 | https://www.atis.org/docstore/default.aspx |
| CCSA | CCSA-TSD-TDD-25.305 | 8.1.0 | Published | Jan 09 | http://www.ccsa.org.cn/english/tc/files.php?docpath=/ITU-R/M.1457/M.1457-12/TDD |
| ETSI | ETSI TS 125 305 | 8.1.0 | Published | Jan 09 | http://www.etsi.org/deliver/etsi_ts/125300_125399/125305/08.01.00_60/ |
| Release 9 | | | | | |
| ARIB | ARIB STD-T63-25.305 | 9.0.0 | Approved | Jul 13 | http://www.arib.or.jp/english/html/overview/doc/STD-T63v10_00/2_T63/ARIB-STD-T63/Rel9/25/A25305-900.pdf |
| ATIS | ATIS.3GPP.25.305V900-2010 | 9.0.0 | Approved | Jul 10 | https://www.atis.org/docstore/default.aspx |
| CCSA | CCSA-TSD-TDD-25.305 | 9.0.0 | Published | Mar 10 | http://www.ccsa.org.cn/english/tc/files.php?docpath=/ITU-R/M.1457/M.1457-12/TDD |
| ETSI | ETSI TS 125 305 | 9.0.0 | Published | Feb 10 | http://www.etsi.org/deliver/etsi_ts/125300_125399/125305/09.00.00_60/ |
| Release 10 | | | | | |
| ARIB | ARIB STD-T63-25.305 | 10.0.0 | Approved | Jul 13 | http://www.arib.or.jp/english/html/overview/doc/STD-T63v10_00/2_T63/ARIB-STD-T63/Rel10/25/A25305-a00.pdf |
| ATIS | ATIS.3GPP.25.305V1000-2012 | 10.0.0 | Approved | Jul 12 | https://www.atis.org/docstore/default.aspx |
| CCSA | CCSA-TSD-TDD-25.305 | 10.0.0 | Published | Jun 12 | http://www.ccsa.org.cn/english/tc/files.php?docpath=/ITU-R/M.1457/M.1457-12/TDD |
| ETSI | ETSI TS 125 305 | 10.0.0 | Published | May 11 | http://www.etsi.org/deliver/etsi_ts/125300_125399/125305/10.00.00_60/ |
| Release 11 | | | | | |
| ARIB | ARIB STD-T63-25.305 | 11.0.0 | Approved | Jul 13 | http://www.arib.or.jp/english/html/overview/doc/STD-T63v10_00/2_T63/ARIB-STD-T63/Rel11/25/A25305-b00.pdf |

| | | | | | |
|------|----------------------------|--------|-----------|--------|---|
| ATIS | ATIS.3GPP.25.305V1100-2014 | 11.0.0 | Approved | May 14 | https://www.atis.org/docstore/default.aspx |
| CCSA | CCSA-TSD-TDD-25.305 | 11.0.0 | Published | Jun 14 | http://www.ccsa.org.cn/english/tc/files.php?docpath=/ITU-R/M.1457/M.1457-12/TDD |
| ETSI | ETSI TS 125 305 | 11.0.0 | Published | Sep 12 | http://www.etsi.org/deliver/etsi_ts/125300_125399/125305/11.00.00_60/ |

5.3.2.2.6 TS 25.306

UE Radio Access capabilities

This document identifies the parameters of the access stratum part of the UE radio access capabilities. Furthermore, some reference configurations of these values are defined. The intention is that these configurations will be used for test specifications.

| SDO (2) | Document No. | Version | Status | Issued date | Location (1) |
|-------------------|----------------------------|---------|-----------|-------------|---|
| Release 99 | | | | | |
| ARIB | ARIB STD-T63-25.306 | 3.10.0 | Approved | Jul 13 | http://www.arib.or.jp/english/html/overview/doc/STD-T63v10_00/2_T63/ARIB-STD-T63/R99/25/A25306-3a0.pdf |
| ATIS | T1.3GPP.25.306V3100-2004 | 3.10.0 | Approved | May 04 | https://www.atis.org/docstore/default.aspx |
| CCSA | CCSA-TSD-TDD-25.306 | 3.10.0 | Published | Jan 04 | http://www.ccsa.org.cn/english/tc/files.php?docpath=/ITU-R/M.1457/M.1457-12/TDD |
| ETSI | ETSI TS 125 306 | 3.10.0 | Published | Jan 04 | http://www.etsi.org/deliver/etsi_ts/125300_125399/125306/03.10.00_60/ |
| Release 4 | | | | | |
| ARIB | ARIB STD-T63-25.306 | 4.11.0 | Approved | Jul 13 | http://www.arib.or.jp/english/html/overview/doc/STD-T63v10_00/2_T63/ARIB-STD-T63/Rel4/25/A25306-4b0.pdf |
| ATIS | ATIS.3GPP.25.306V4110-2009 | 4.11.0 | Approved | Jul 09 | https://www.atis.org/docstore/default.aspx |
| CCSA | CCSA-TSD-TDD-25.306 | 4.11.0 | Published | Apr 09 | http://www.ccsa.org.cn/english/tc/files.php?docpath=/ITU-R/M.1457/M.1457-12/TDD |
| ETSI | ETSI TS 125 306 | 4.11.0 | Published | Apr 09 | http://www.etsi.org/deliver/etsi_ts/125300_125399/125306/04.11.00_60/ |
| Release 5 | | | | | |
| ARIB | ARIB STD-T63-25.306 | 5.15.0 | Approved | Jul 13 | http://www.arib.or.jp/english/html/overview/doc/STD-T63v10_00/2_T63/ARIB-STD-T63/Rel5/25/A25306-5f0.pdf |
| ATIS | ATIS.3GPP.25.306V5150-2009 | 5.15.0 | Approved | Jul 09 | https://www.atis.org/docstore/default.aspx |
| CCSA | CCSA-TSD-TDD-25.306 | 5.15.0 | Published | Apr 09 | http://www.ccsa.org.cn/english/tc/files.php?docpath=/ITU-R/M.1457/M.1457-12/TDD |
| ETSI | ETSI TS 125 306 | 5.15.0 | Published | Apr 09 | http://www.etsi.org/deliver/etsi_ts/125300_125399/125306/05.15.00_60/ |
| Release 6 | | | | | |
| ARIB | ARIB STD-T63-25.306 | 6.13.0 | Approved | Jul 13 | http://www.arib.or.jp/english/html/overview/doc/STD-T63v10_00/2_T63/ARIB-STD-T63/Rel6/25/A25306-6d0.pdf |
| ATIS | ATIS.3GPP.25.306V6130-2009 | 6.13.0 | Approved | Jul 09 | https://www.atis.org/docstore/default.aspx |
| CCSA | CCSA-TSD-TDD-25.306 | 6.13.0 | Published | Apr 09 | http://www.ccsa.org.cn/english/tc/files.php?docpath=/ITU-R/M.1457/M.1457-12/TDD |
| ETSI | ETSI TS 125 306 | 6.13.0 | Published | Apr 09 | http://www.etsi.org/deliver/etsi_ts/125300_125399/125306/06.13.00_60/ |
| Release 7 | | | | | |
| ARIB | ARIB STD-T63-25.306 | 7.12.0 | Approved | Jul 13 | http://www.arib.or.jp/english/html/overview/doc/STD-T63v10_00/2_T63/ARIB-STD-T63/Rel7/25/A25306-7c0.pdf |
| ATIS | ATIS.3GPP.25.306V7120-2014 | 7.12.0 | Approved | May 14 | https://www.atis.org/docstore/default.aspx |
| CCSA | CCSA-TSD-TDD-25.306 | 7.12.0 | Published | Jun 12 | http://www.ccsa.org.cn/english/tc/files.php?docpath=/ITU-R/M.1457/M.1457-12/TDD |
| ETSI | ETSI TS 125 306 | 7.12.0 | Published | Jan 12 | http://www.etsi.org/deliver/etsi_ts/125300_125399/125306/07.12.00_60/ |
| Release 8 | | | | | |
| ARIB | ARIB STD-T63-25.306 | 8.12.0 | Approved | Jul 13 | http://www.arib.or.jp/english/html/overview/doc/STD-T63v10_00/2_T63/ARIB-STD-T63/Rel8/25/A25306-8c0.pdf |
| ATIS | ATIS.3GPP.25.306V8120-2012 | 8.12.0 | Approved | Jul 12 | https://www.atis.org/docstore/default.aspx |
| CCSA | CCSA-TSD-TDD-25.306 | 8.12.0 | Published | Jun 12 | http://www.ccsa.org.cn/english/tc/files.php?docpath=/ITU-R/M.1457/M.1457-12/TDD |
| ETSI | ETSI TS 125 306 | 8.12.0 | Published | Jul 11 | http://www.etsi.org/deliver/etsi_ts/125300_125399/125306/08.12.00_60/ |
| Release 9 | | | | | |

| | | | | | |
|-------------------|----------------------------|--------|-----------|--------|---|
| ARIB | ARIB STD-T63-25.306 | 9.10.0 | Approved | Jul 13 | http://www.arib.or.jp/english/html/overview/doc/STD-T63v10_00/2_T63/ARIB-STD-T63/Rel9/25/A25306-9a0.pdf |
| ATIS | ATIS.3GPP.25.306V9100-2014 | 9.10.0 | Approved | May 14 | https://www.atis.org/docstore/default.aspx |
| CCSA | CCSA-TSD-TDD-25.306 | 9.8.1 | Published | Jun 12 | http://www.ccsa.org.cn/english/tc/files.php?docpath=/ITU-R/M.1457/M.1457-12/TDD |
| ETSI | ETSI TS 125 306 | 9.10.0 | Published | Jan 13 | http://www.etsi.org/deliver/etsi_ts/125300_125399/125306/09.10.00_60/ |
| Release 10 | | | | | |
| ARIB | ARIB STD-T63-25.306 | 10.9.0 | Approved | Jul 13 | http://www.arib.or.jp/english/html/overview/doc/STD-T63v10_00/2_T63/ARIB-STD-T63/Rel10/25/A25306-a90.pdf |
| ATIS | ATIS.3GPP.25.306V1090-2014 | 10.9.0 | Approved | May 14 | https://www.atis.org/docstore/default.aspx |
| CCSA | CCSA-TSD-TDD-25.306 | 10.5.1 | Published | Jun 12 | http://www.ccsa.org.cn/english/tc/files.php?docpath=/ITU-R/M.1457/M.1457-12/TDD |
| ETSI | ETSI TS 125 306 | 10.9.0 | Published | Jan 13 | http://www.etsi.org/deliver/etsi_ts/125300_125399/125306/10.09.00_60/ |
| Release 11 | | | | | |
| ARIB | ARIB STD-T63-25.306 | 11.5.0 | Approved | Jul 13 | http://www.arib.or.jp/english/html/overview/doc/STD-T63v10_00/2_T63/ARIB-STD-T63/Rel11/25/A25306-b50.pdf |
| ATIS | ATIS.3GPP.25.306V1150-2014 | 11.5.0 | Approved | May 14 | https://www.atis.org/docstore/default.aspx |
| CCSA | CCSA-TSD-TDD-25.306 | 11.8.0 | Published | Jun 14 | http://www.ccsa.org.cn/english/tc/files.php?docpath=/ITU-R/M.1457/M.1457-12/TDD |
| ETSI | ETSI TS 125 306 | 11.5.0 | Published | Apr 13 | http://www.etsi.org/deliver/etsi_ts/125300_125399/125306/11.05.00_60/ |

5.3.2.2.7 TS 25.307

Requirements on User Equipments (UEs) supporting a release-independent frequency band

This document specifies requirements on UEs supporting a frequency band that is independent of release.

| SDO (2) | Document No. | Version | Status | Issued date | Location (1) |
|-------------------|----------------------------|---------|-----------|-------------|---|
| Release 99 | | | | | |
| ARIB | ARIB STD-T63-25.307 | 3.11.0 | Approved | Jul 13 | http://www.arib.or.jp/english/html/overview/doc/STD-T63v10_00/2_T63/ARIB-STD-T63/R99/25/A25307-3b0.pdf |
| ATIS | ATIS.3GPP.25.307V3110-2008 | 3.11.0 | Approved | Oct 08 | https://www.atis.org/docstore/default.aspx |
| CCSA | CCSA-TSD-TDD-25.307 | 3.11.0 | Published | Apr 08 | http://www.ccsa.org.cn/english/tc/files.php?docpath=/ITU-R/M.1457/M.1457-12/TDD |
| ETSI | ETSI TS 125 307 | 3.11.0 | Published | Apr 08 | http://www.etsi.org/deliver/etsi_ts/125300_125399/125307/03.11.00_60/ |
| Release 4 | | | | | |
| ARIB | ARIB STD-T63-25.307 | 4.20.0 | Approved | Jul 13 | http://www.arib.or.jp/english/html/overview/doc/STD-T63v10_00/2_T63/ARIB-STD-T63/Rel4/25/A25307-4k0.pdf |
| ATIS | ATIS.3GPP.25.307V4160-2010 | 4.16.0 | Approved | Jul 10 | https://www.atis.org/docstore/default.aspx |
| CCSA | CCSA-TSD-TDD-25.307 | 4.18.0 | Published | Jun 12 | http://www.ccsa.org.cn/english/tc/files.php?docpath=/ITU-R/M.1457/M.1457-12/TDD |
| ETSI | ETSI TS 125 307 | 4.20.0 | Published | Jan 13 | http://www.etsi.org/deliver/etsi_ts/125300_125399/125307/04.20.00_60/ |
| Release 5 | | | | | |
| ARIB | ARIB STD-T63-25.307 | 5.19.0 | Approved | Jul 13 | http://www.arib.or.jp/english/html/overview/doc/STD-T63v10_00/2_T63/ARIB-STD-T63/Rel5/25/A25307-5j0.pdf |
| ATIS | ATIS.3GPP.25.307V5190-2014 | 5.19.0 | Approved | May 14 | https://www.atis.org/docstore/default.aspx |
| CCSA | CCSA-TSD-TDD-25.307 | 5.17.0 | Published | Jun 12 | http://www.ccsa.org.cn/english/tc/files.php?docpath=/ITU-R/M.1457/M.1457-12/TDD |
| ETSI | ETSI TS 125 307 | 5.19.0 | Published | Jan 13 | http://www.etsi.org/deliver/etsi_ts/125300_125399/125307/05.19.00_60/ |
| Release 6 | | | | | |
| ARIB | ARIB STD-T63-25.307 | 6.16.0 | Approved | Jul 13 | http://www.arib.or.jp/english/html/overview/doc/STD-T63v10_00/2_T63/ARIB-STD-T63/Rel6/25/A25307-6g0.pdf |

| | | | | | |
|-------------------|----------------------------|--------|-----------|--------|---|
| ATIS | ATIS.3GPP.25.307V6160-2014 | 6.16.0 | Approved | May 14 | https://www.atis.org/docstore/default.aspx |
| CCSA | CCSA-TSD-TDD-25.307 | 6.14.0 | Published | Jun 12 | http://www.ccsa.org.cn/english/tc/files.php?docpath=/ITU-R/M.1457/M.1457-12/TDD |
| ETSI | ETSI TS 125 307 | 6.16.0 | Published | Jan 13 | http://www.etsi.org/deliver/etsi_ts/125300_125399/125307/06.16.00_60/ |
| Release 7 | | | | | |
| ARIB | ARIB STD-T63-25.307 | 7.12.0 | Approved | Jul 13 | http://www.arib.or.jp/english/html/overview/doc/STD-T63v10_00/2_T63/ARIB-STD-T63/Rel7/25/A25307-7c0.pdf |
| ATIS | ATIS.3GPP.25.307V7120-2014 | 7.12.0 | Approved | May 14 | https://www.atis.org/docstore/default.aspx |
| CCSA | CCSA-TSD-TDD-25.307 | 7.10.0 | Published | Jun 12 | http://www.ccsa.org.cn/english/tc/files.php?docpath=/ITU-R/M.1457/M.1457-12/TDD |
| ETSI | ETSI TS 125 307 | 7.12.0 | Published | Jan 13 | http://www.etsi.org/deliver/etsi_ts/125300_125399/125307/07.12.00_60/ |
| Release 8 | | | | | |
| ARIB | ARIB STD-T63-25.307 | 8.10.0 | Approved | Jul 13 | http://www.arib.or.jp/english/html/overview/doc/STD-T63v10_00/2_T63/ARIB-STD-T63/Rel8/25/A25307-8a0.pdf |
| ATIS | ATIS.3GPP.25.307V8100-2014 | 8.10.0 | Approved | May 14 | https://www.atis.org/docstore/default.aspx |
| CCSA | CCSA-TSD-TDD-25.307 | 8.8.0 | Published | Jun 12 | http://www.ccsa.org.cn/english/tc/files.php?docpath=/ITU-R/M.1457/M.1457-12/TDD |
| ETSI | ETSI TS 125 307 | 8.10.0 | Published | Jan 13 | http://www.etsi.org/deliver/etsi_ts/125300_125399/125307/08.10.00_60/ |
| Release 9 | | | | | |
| ARIB | ARIB STD-T63-25.307 | 9.6.0 | Approved | Jul 13 | http://www.arib.or.jp/english/html/overview/doc/STD-T63v10_00/2_T63/ARIB-STD-T63/Rel9/25/A25307-960.pdf |
| ATIS | ATIS.3GPP.25.307V960-2014 | 9.6.0 | Approved | May 14 | https://www.atis.org/docstore/default.aspx |
| CCSA | CCSA-TSD-TDD-25.307 | 9.4.0 | Published | Jun 12 | http://www.ccsa.org.cn/english/tc/files.php?docpath=/ITU-R/M.1457/M.1457-12/TDD |
| ETSI | ETSI TS 125 307 | 9.6.0 | Published | Jan 13 | http://www.etsi.org/deliver/etsi_ts/125300_125399/125307/09.06.00_60/ |
| Release 10 | | | | | |
| ARIB | ARIB STD-T63-25.307 | 10.4.0 | Approved | Jul 13 | http://www.arib.or.jp/english/html/overview/doc/STD-T63v10_00/2_T63/ARIB-STD-T63/Rel10/25/A25307-a40.pdf |
| ATIS | ATIS.3GPP.25.307V1040-2014 | 10.4.0 | Approved | May 14 | https://www.atis.org/docstore/default.aspx |
| CCSA | CCSA-TSD-TDD-25.307 | 10.2.0 | Published | Jun 12 | http://www.ccsa.org.cn/english/tc/files.php?docpath=/ITU-R/M.1457/M.1457-12/TDD |
| ETSI | ETSI TS 125 307 | 10.4.0 | Published | Jan 13 | http://www.etsi.org/deliver/etsi_ts/125300_125399/125307/10.04.00_60/ |
| Release 11 | | | | | |
| ARIB | ARIB STD-T63-25.307 | 11.1.0 | Approved | Jul 13 | http://www.arib.or.jp/english/html/overview/doc/STD-T63v10_00/2_T63/ARIB-STD-T63/Rel11/25/A25307-b10.pdf |
| ATIS | ATIS.3GPP.25.307V1110-2014 | 11.1.0 | Approved | May 14 | https://www.atis.org/docstore/default.aspx |
| CCSA | CCSA-TSD-TDD-25.307 | 11.2.0 | Published | Jun 14 | http://www.ccsa.org.cn/english/tc/files.php?docpath=/ITU-R/M.1457/M.1457-12/TDD |
| ETSI | ETSI TS 125 307 | 11.1.0 | Published | Jan 13 | http://www.etsi.org/deliver/etsi_ts/125300_125399/125307/11.01.00_60/ |

5.3.2.2.8 TS 25.308

UTRA High Speed Downlink Packet Access (HSDPA); Overall description; Stage 2

This document is a technical specification of the overall support of High Speed Downlink Packet Access in UTRA.

| SDO (2) | Document No. | Version | Status | Issued date | Location (1) |
|------------------|---------------------------|---------|-----------|-------------|---|
| Release 5 | | | | | |
| ARIB | ARIB STD-T63-25.308 | 5.7.0 | Approved | Jul 13 | http://www.arib.or.jp/english/html/overview/doc/STD-T63v10_00/2_T63/ARIB-STD-T63/Rel5/25/A25308-570.pdf |
| ATIS | ATIS.3GPP.25.308V570-2005 | 5.7.0 | Approved | Apr 05 | https://www.atis.org/docstore/default.aspx |
| CCSA | CCSA-TSD-TDD-25.308 | 5.7.0 | Published | Jan 05 | http://www.ccsa.org.cn/english/tc/files.php?docpath=/ITU-R/M.1457/M.1457-12/TDD |
| ETSI | ETSI TS 125 308 | 5.7.0 | Published | Jan 05 | http://www.etsi.org/deliver/etsi_ts/125300_125399/125308/05.07.00_60/ |
| Release 6 | | | | | |
| ARIB | ARIB STD-T63-25.308 | 6.4.0 | Approved | Jul 13 | http://www.arib.or.jp/english/html/overview/doc/STD-T63v10_00/2_T63/ARIB-STD-T63/Rel6/25/A25308-640.pdf |
| ATIS | ATIS.3GPP.25.308V640-2007 | 6.4.0 | Approved | Oct 07 | https://www.atis.org/docstore/default.aspx |
| CCSA | CCSA-TSD-TDD-25.308 | 6.4.0 | Published | Apr 07 | http://www.ccsa.org.cn/english/tc/files.php?docpath=/ITU-R/M.1457/M.1457-12/TDD |

| | | | | | |
|-------------------|----------------------------|--------|-----------|--------|---|
| ETSI | ETSI TS 125 308 | 6.4.0 | Published | Apr 07 | http://www.etsi.org/deliver/etsi_ts/125300_125399/125308/06.04.00_60/ |
| Release 7 | | | | | |
| ARIB | ARIB STD-T63-25.308 | 7.12.0 | Approved | Jul 13 | http://www.arib.or.jp/english/html/overview/doc/STD-T63v10_00/2_T63/ARIB-STD-T63/Rel7/25/A25308-7c0.pdf |
| ATIS | ATIS.3GPP.25.308V7120-2012 | 7.12.0 | Approved | Jul 12 | https://www.atis.org/docstore/default.aspx |
| CCSA | CCSA-TSD-TDD-25.308 | 7.12.0 | Published | Jun 12 | http://www.ccsa.org.cn/english/tc/files.php?docpath=/ITU-R/M.1457/M.1457-12/TDD |
| ETSI | ETSI TS 125 308 | 7.12.0 | Published | Mar 11 | http://www.etsi.org/deliver/etsi_ts/125300_125399/125308/07.12.00_60/ |
| Release 8 | | | | | |
| ARIB | ARIB STD-T63-25.308 | 8.11.1 | Approved | Jul 13 | http://www.arib.or.jp/english/html/overview/doc/STD-T63v10_00/2_T63/ARIB-STD-T63/Rel8/25/A25308-8b1.pdf |
| ATIS | ATIS.3GPP.25.308V8111-2014 | 8.11.1 | Approved | May 14 | https://www.atis.org/docstore/default.aspx |
| CCSA | CCSA-TSD-TDD-25.308 | 8.11.1 | Published | Jun 12 | http://www.ccsa.org.cn/english/tc/files.php?docpath=/ITU-R/M.1457/M.1457-12/TDD |
| ETSI | ETSI TS 125 308 | 8.11.1 | Published | Jan 12 | http://www.etsi.org/deliver/etsi_ts/125300_125399/125308/08.11.01_60/ |
| Release 9 | | | | | |
| ARIB | ARIB STD-T63-25.308 | 9.6.1 | Approved | Jul 13 | http://www.arib.or.jp/english/html/overview/doc/STD-T63v10_00/2_T63/ARIB-STD-T63/Rel9/25/A25308-961.pdf |
| ATIS | ATIS.3GPP.25.308V961-2014 | 9.6.1 | Approved | May 14 | https://www.atis.org/docstore/default.aspx |
| CCSA | CCSA-TSD-TDD-25.308 | 9.6.1 | Published | Jun 12 | http://www.ccsa.org.cn/english/tc/files.php?docpath=/ITU-R/M.1457/M.1457-12/TDD |
| ETSI | ETSI TS 125 308 | 9.6.1 | Published | Jan 12 | http://www.etsi.org/deliver/etsi_ts/125300_125399/125308/09.06.01_60/ |
| Release 10 | | | | | |
| ARIB | ARIB STD-T63-25.308 | 10.6.0 | Approved | Jul 13 | http://www.arib.or.jp/english/html/overview/doc/STD-T63v10_00/2_T63/ARIB-STD-T63/Rel10/25/A25308-a60.pdf |
| ATIS | ATIS.3GPP.25.308V1060-2014 | 10.6.0 | Approved | May 14 | https://www.atis.org/docstore/default.aspx |
| CCSA | CCSA-TSD-TDD-25.308 | 10.6.1 | Published | Jun 12 | http://www.ccsa.org.cn/english/tc/files.php?docpath=/ITU-R/M.1457/M.1457-12/TDD |
| ETSI | ETSI TS 125 308 | 10.6.0 | Published | Jan 12 | http://www.etsi.org/deliver/etsi_ts/125300_125399/125308/10.06.00_60/ |
| Release 11 | | | | | |
| ARIB | ARIB STD-T63-25.308 | 11.4.0 | Approved | Jul 13 | http://www.arib.or.jp/english/html/overview/doc/STD-T63v10_00/2_T63/ARIB-STD-T63/Rel11/25/A25308-b40.pdf |
| ATIS | ATIS.3GPP.25.308V1140-2014 | 11.4.0 | Approved | May 14 | https://www.atis.org/docstore/default.aspx |
| CCSA | CCSA-TSD-TDD-25.308 | 11.8.0 | Published | Jun 14 | http://www.ccsa.org.cn/english/tc/files.php?docpath=/ITU-R/M.1457/M.1457-12/TDD |
| ETSI | ETSI TS 125 308 | 11.4.0 | Published | Apr 13 | http://www.etsi.org/deliver/etsi_ts/125300_125399/125308/11.04.00_60/ |

5.3.2.2.9 TS 25.319

Enhanced uplink; Overall description; Stage 2

This document is a technical specification of the overall support of FDD and TDD Enhanced Uplink in UTRA.

| SDO (2) | Document No. | Version | Status | Issued date | Location (1) |
|------------------|----------------------------|---------|-----------|-------------|---|
| Release 4 | | | | | |
| ATIS | ATIS.3GPP.25.321V4100-2005 | 4.10.0 | Approved | Apr 05 | https://www.atis.org/docstore/default.aspx |
| Release 7 | | | | | |
| ARIB | ARIB STD-T63-25.319 | 7.8.0 | Approved | Jul 13 | http://www.arib.or.jp/english/html/overview/doc/STD-T63v10_00/2_T63/ARIB-STD-T63/Rel7/25/A25319-780.pdf |
| ATIS | ATIS.3GPP.25.319V780-2010 | 7.8.0 | Approved | Jul 10 | https://www.atis.org/docstore/default.aspx |
| CCSA | CCSA-TSD-TDD-25.319 | 7.8.0 | Published | Mar 10 | http://www.ccsa.org.cn/english/tc/files.php?docpath=/ITU-R/M.1457/M.1457-12/TDD |
| ETSI | ETSI TS 125 319 | 7.8.0 | Published | Feb 10 | http://www.etsi.org/deliver/etsi_ts/125300_125399/125319/07.08.00_60/ |
| Release 8 | | | | | |
| ARIB | ARIB STD-T63-25.319 | 8.12.0 | Approved | Jul 13 | http://www.arib.or.jp/english/html/overview/doc/STD-T63v10_00/2_T63/ARIB-STD-T63/Rel8/25/A25319-8c0.pdf |

| | | | | | |
|-------------------|----------------------------|--------|-----------|--------|---|
| ATIS | ATIS.3GPP.25.319V8120-2014 | 8.12.0 | Approved | May 14 | https://www.atis.org/docstore/default.aspx |
| CCSA | CCSA-TSD-TDD-25.319 | 8.12.0 | Published | Jun 12 | http://www.ccsa.org.cn/english/tc/files.php?docpath=/ITU-R/M.1457/M.1457-12/TDD |
| ETSI | ETSI TS 125 319 | 8.12.0 | Published | Jan 12 | http://www.etsi.org/deliver/etsi_ts/125300_125399/125319/08.12.00_60/ |
| Release 9 | | | | | |
| ARIB | ARIB STD-T63-25.319 | 9.7.0 | Approved | Jul 13 | http://www.arib.or.jp/english/html/overview/doc/STD-T63v10_00/2_T63/ARIB-STD-T63/Rel9/25/A25319-970.pdf |
| ATIS | ATIS.3GPP.25.319V970-2014 | 9.7.0 | Approved | May 14 | https://www.atis.org/docstore/default.aspx |
| CCSA | CCSA-TSD-TDD-25.319 | 9.7.0 | Published | Jun 12 | http://www.ccsa.org.cn/english/tc/files.php?docpath=/ITU-R/M.1457/M.1457-12/TDD |
| ETSI | ETSI TS 125 319 | 9.7.0 | Published | Jan 12 | http://www.etsi.org/deliver/etsi_ts/125300_125399/125319/09.07.00_60/ |
| Release 10 | | | | | |
| ARIB | ARIB STD-T63-25.319 | 10.7.0 | Approved | Jul 13 | http://www.arib.or.jp/english/html/overview/doc/STD-T63v10_00/2_T63/ARIB-STD-T63/Rel10/25/A25319-a70.pdf |
| ATIS | ATIS.3GPP.25.319V1070-2014 | 10.7.0 | Approved | May 14 | https://www.atis.org/docstore/default.aspx |
| CCSA | CCSA-TSD-TDD-25.319 | 10.7.0 | Published | Jun 12 | http://www.ccsa.org.cn/english/tc/files.php?docpath=/ITU-R/M.1457/M.1457-12/TDD |
| ETSI | ETSI TS 125 319 | 10.7.0 | Published | Jan 12 | http://www.etsi.org/deliver/etsi_ts/125300_125399/125319/10.07.00_60/ |
| Release 11 | | | | | |
| ARIB | ARIB STD-T63-25.319 | 11.6.0 | Approved | Jul 13 | http://www.arib.or.jp/english/html/overview/doc/STD-T63v10_00/2_T63/ARIB-STD-T63/Rel11/25/A25319-b60.pdf |
| ATIS | ATIS.3GPP.25.319V1160-2014 | 11.6.0 | Approved | May 14 | https://www.atis.org/docstore/default.aspx |
| CCSA | CCSA-TSD-TDD-25.319 | 11.8.0 | Published | Jun 14 | http://www.ccsa.org.cn/english/tc/files.php?docpath=/ITU-R/M.1457/M.1457-12/TDD |
| ETSI | ETSI TS 125 319 | 11.6.0 | Published | Jan 13 | http://www.etsi.org/deliver/etsi_ts/125300_125399/125319/11.06.00_60/ |

5.3.2.2.10 TS 25.321

Medium Access Control (MAC) protocol specification

This specification describes the MAC protocol.

| SDO (2) | Document No. | Version | Status | Issued date | Location (1) |
|-------------------|----------------------------|---------|-----------|-------------|---|
| Release 99 | | | | | |
| ARIB | ARIB STD-T63-25.321 | 3.17.0 | Approved | Jul 13 | http://www.arib.or.jp/english/html/overview/doc/STD-T63v10_00/2_T63/ARIB-STD-T63/R99/25/A25321-3h0.pdf |
| ATIS | ATIS.3GPP.25.321V3170-2005 | 3.17.0 | Approved | Apr 05 | https://www.atis.org/docstore/default.aspx |
| CCSA | CCSA-TSD-TDD-25.321 | 3.17.0 | Published | Jul 04 | http://www.ccsa.org.cn/english/tc/files.php?docpath=/ITU-R/M.1457/M.1457-12/TDD |
| ETSI | ETSI TS 125 321 | 3.17.0 | Published | Jul 04 | http://www.etsi.org/deliver/etsi_ts/125300_125399/125321/03.17.00_60/ |
| Release 4 | | | | | |
| ARIB | ARIB STD-T63-25.321 | 4.10.0 | Approved | Jul 13 | http://www.arib.or.jp/english/html/overview/doc/STD-T63v10_00/2_T63/ARIB-STD-T63/Rel4/25/A25321-4a0.pdf |
| CCSA | CCSA-TSD-TDD-25.321 | 4.10.0 | Published | Jul 04 | http://www.ccsa.org.cn/english/tc/files.php?docpath=/ITU-R/M.1457/M.1457-12/TDD |
| ETSI | ETSI TS 125 321 | 4.10.0 | Published | Jul 04 | http://www.etsi.org/deliver/etsi_ts/125300_125399/125321/04.10.00_60/ |
| Release 5 | | | | | |
| ARIB | ARIB STD-T63-25.321 | 5.14.0 | Approved | Jul 13 | http://www.arib.or.jp/english/html/overview/doc/STD-T63v10_00/2_T63/ARIB-STD-T63/Rel5/25/A25321-5e0.pdf |
| ATIS | ATIS.3GPP.25.321V5140-2009 | 5.14.0 | Approved | Jul 09 | https://www.atis.org/docstore/default.aspx |
| CCSA | CCSA-TSD-TDD-25.321 | 5.14.0 | Published | Oct 08 | http://www.ccsa.org.cn/english/tc/files.php?docpath=/ITU-R/M.1457/M.1457-12/TDD |
| ETSI | ETSI TS 125 321 | 5.14.0 | Published | Oct 08 | http://www.etsi.org/deliver/etsi_ts/125300_125399/125321/05.14.00_60/ |

Release 6

| | | | | | |
|------|----------------------------|--------|-----------|--------|---|
| ARIB | ARIB STD-T63-25.321 | 6.18.0 | Approved | Jul 13 | http://www.arib.or.jp/english/html/overview/doc/STD-T63v10_00/2_T63/ARIB-STD-T63/Rel6/25/A25321-6i0.pdf |
| ATIS | ATIS.3GPP.25.321V6180-2009 | 6.18.0 | Approved | Jul 09 | https://www.atis.org/docstore/default.aspx |
| CCSA | CCSA-TSD-TDD-25.321 | 6.18.0 | Published | Apr 09 | http://www.ccsa.org.cn/english/tc/files.php?docpath=/ITU-R/M.1457/M.1457-12/TDD |
| ETSI | ETSI TS 125 321 | 6.18.0 | Published | Apr 09 | http://www.etsi.org/deliver/etsi_ts/125300_125399/125321/06.18.00_60/ |

Release 7

| | | | | | |
|------|----------------------------|--------|-----------|--------|---|
| ARIB | ARIB STD-T63-25.321 | 7.19.0 | Approved | Jul 13 | http://www.arib.or.jp/english/html/overview/doc/STD-T63v10_00/2_T63/ARIB-STD-T63/Rel7/25/A25321-7j0.pdf |
| ATIS | ATIS.3GPP.25.321V7190-2012 | 7.19.0 | Approved | Jul 12 | https://www.atis.org/docstore/default.aspx |
| CCSA | CCSA-TSD-TDD-25.321 | 7.19.0 | Published | Jun 12 | http://www.ccsa.org.cn/english/tc/files.php?docpath=/ITU-R/M.1457/M.1457-12/TDD |
| ETSI | ETSI TS 125 321 | 7.19.0 | Published | Jan 11 | http://www.etsi.org/deliver/etsi_ts/125300_125399/125321/07.19.00_60/ |

Release 8

| | | | | | |
|------|----------------------------|--------|-----------|--------|---|
| ARIB | ARIB STD-T63-25.321 | 8.17.0 | Approved | Jul 13 | http://www.arib.or.jp/english/html/overview/doc/STD-T63v10_00/2_T63/ARIB-STD-T63/Rel8/25/A25321-8h0.pdf |
| ATIS | ATIS.3GPP.25.321V8170-2014 | 8.17.0 | Approved | May 14 | https://www.atis.org/docstore/default.aspx |
| CCSA | CCSA-TSD-TDD-25.321 | 8.14.0 | Published | Jun 12 | http://www.ccsa.org.cn/english/tc/files.php?docpath=/ITU-R/M.1457/M.1457-12/TDD |
| ETSI | ETSI TS 125 321 | 8.17.0 | Published | Jan 13 | http://www.etsi.org/deliver/etsi_ts/125300_125399/125321/08.17.00_60/ |

Release 9

| | | | | | |
|------|----------------------------|--------|-----------|--------|---|
| ARIB | ARIB STD-T63-25.321 | 9.10.0 | Approved | Jul 13 | http://www.arib.or.jp/english/html/overview/doc/STD-T63v10_00/2_T63/ARIB-STD-T63/Rel9/25/A25321-9a0.pdf |
| ATIS | ATIS.3GPP.25.321V9100-2014 | 9.10.0 | Approved | May 14 | https://www.atis.org/docstore/default.aspx |
| CCSA | CCSA-TSD-TDD-25.321 | 9.7.0 | Published | Jun 12 | http://www.ccsa.org.cn/english/tc/files.php?docpath=/ITU-R/M.1457/M.1457-12/TDD |
| ETSI | ETSI TS 125 321 | 9.10.0 | Published | Jan 13 | http://www.etsi.org/deliver/etsi_ts/125300_125399/125321/09.10.00_60/ |

Release 10

| | | | | | |
|------|----------------------------|--------|-----------|--------|---|
| ARIB | ARIB STD-T63-25.321 | 10.8.0 | Approved | Jul 13 | http://www.arib.or.jp/english/html/overview/doc/STD-T63v10_00/2_T63/ARIB-STD-T63/Rel10/25/A25321-a80.pdf |
| ATIS | ATIS.3GPP.25.321V1080-2014 | 10.8.0 | Approved | May 14 | https://www.atis.org/docstore/default.aspx |
| CCSA | CCSA-TSD-TDD-25.321 | 10.5.0 | Published | Jun 12 | http://www.ccsa.org.cn/english/tc/files.php?docpath=/ITU-R/M.1457/M.1457-12/TDD |
| ETSI | ETSI TS 125 321 | 10.8.0 | Published | Jan 13 | http://www.etsi.org/deliver/etsi_ts/125300_125399/125321/10.08.00_60/ |

Release 11

| | | | | | |
|------|----------------------------|--------|-----------|--------|---|
| ARIB | ARIB STD-T63-25.321 | 11.3.0 | Approved | Jul 13 | http://www.arib.or.jp/english/html/overview/doc/STD-T63v10_00/2_T63/ARIB-STD-T63/Rel11/25/A25321-b30.pdf |
| ATIS | ATIS.3GPP.25.321V1130-2014 | 11.3.0 | Approved | May 14 | https://www.atis.org/docstore/default.aspx |
| CCSA | CCSA-TSD-TDD-25.321 | 11.5.0 | Published | Jun 14 | http://www.ccsa.org.cn/english/tc/files.php?docpath=/ITU-R/M.1457/M.1457-12/TDD |
| ETSI | ETSI TS 125 321 | 11.3.0 | Published | Jan 13 | http://www.etsi.org/deliver/etsi_ts/125300_125399/125321/11.03.00_60/ |

5.3.2.2.11 TS 25.322**Radio Link Control (RLC) protocol specification**

This specification describes the RLC protocol.

| SDO (2) | Document No. | Version | Status | Issued date | Location (1) |
|-------------------|----------------------------|---------|-----------|-------------|---|
| Release 99 | | | | | |
| ATIS | ATIS.3GPP.25.322V3180-2005 | 3.18.0 | Approved | Apr 05 | https://www.atis.org/docstore/default.aspx |
| CCSA | CCSA-TSD-TDD-25.322 | 3.18.0 | Published | Jul 04 | http://www.ccsa.org.cn/english/tc/files.php?docpath=/ITU-R/M.1457/M.1457-12/TDD |
| ETSI | ETSI TS 125 322 | 3.18.0 | Published | Jul 04 | http://www.etsi.org/deliver/etsi_ts/125300_125399/125322/03.18.00_60/ |
| TTC | TS-3GA-25.322(R99)v3.18.0 | 3.18.0 | Approved | Aug 04 | http://www.ttc.or.jp/j/document_list/free/TS/TS-3GA-25.322(R99)v3.18.0.pdf |
| Release 4 | | | | | |

| | | | | | |
|-------------------|-----------------------------|--------|-----------|--------|---|
| ATIS | ATIS.3GPP.25.322V4120-2005 | 4.12.0 | Approved | Apr 05 | https://www.atis.org/docstore/default.aspx |
| CCSA | CCSA-TSD-TDD-25.322 | 4.12.0 | Published | Jul 04 | http://www.ccsa.org.cn/english/tc/files.php?docpath=/ITU-R/M.1457/M.1457-12/TDD |
| ETSI | ETSI TS 125 322 | 4.12.0 | Published | Jul 04 | http://www.etsi.org/deliver/etsi_ts/125300_125399/125322/04.12.00_60/ |
| TTC | TS-3GA-25.322(Rel4)v4.12.0 | 4.12.0 | Approved | Aug 04 | http://www.ttc.or.jp/j/document_list/free/TS/TS-3GA-25.322(Rel4)v4.12.0.pdf |
| Release 5 | | | | | |
| ATIS | ATIS.3GPP.25.322V5130-2006 | 5.13.0 | Approved | Apr 06 | https://www.atis.org/docstore/default.aspx |
| CCSA | CCSA-TSD-TDD-25.322 | 5.13.0 | Published | Jan 06 | http://www.ccsa.org.cn/english/tc/files.php?docpath=/ITU-R/M.1457/M.1457-12/TDD |
| ETSI | ETSI TS 125 322 | 5.13.0 | Published | Jan 06 | http://www.etsi.org/deliver/etsi_ts/125300_125399/125322/05.13.00_60/ |
| TTC | TS-3GA-25.322(Rel5)v5.13.0 | 5.13.0 | Approved | Feb 06 | http://www.ttc.or.jp/j/document_list/free/TS/TS-3GA-25.322(Rel5)v5.13.0.pdf |
| Release 6 | | | | | |
| ATIS | ATIS.3GPP.25.322V6120-2008 | 6.12.0 | Approved | Oct 08 | https://www.atis.org/docstore/default.aspx |
| CCSA | CCSA-TSD-TDD-25.322 | 6.12.0 | Published | Jul 08 | http://www.ccsa.org.cn/english/tc/files.php?docpath=/ITU-R/M.1457/M.1457-12/TDD |
| ETSI | ETSI TS 125 322 | 6.12.0 | Published | Jul 08 | http://www.etsi.org/deliver/etsi_ts/125300_125399/125322/06.12.00_60/ |
| TTC | TS-3GA-25.322(Rel6)v6.12.0 | 6.12.0 | Approved | Feb 09 | http://www.ttc.or.jp/j/document_list/free/3gpps2009/TS/TS-3GA-25.322(Rel6)v6.12.0.pdf |
| Release 7 | | | | | |
| ATIS | ATIS.3GPP.25.322V7100-2010 | 7.10.0 | Approved | Jul 10 | https://www.atis.org/docstore/default.aspx |
| CCSA | CCSA-TSD-TDD-25.322 | 7.10.0 | Published | Jun 12 | http://www.ccsa.org.cn/english/tc/files.php?docpath=/ITU-R/M.1457/M.1457-12/TDD |
| ETSI | ETSI TS 125 322 | 7.10.0 | Published | Jul 09 | http://www.etsi.org/deliver/etsi_ts/125300_125399/125322/07.10.00_60/ |
| TTC | TS-3GA-25.322(Rel7)v7.10.0 | 7.10.0 | Approved | Oct 09 | http://www.ttc.or.jp/j/document_list/free/3gpps2009/TS/TS-3GA-25.322(Rel7)v7.10.0.pdf |
| Release 8 | | | | | |
| ATIS | ATIS.3GPP.25.322V890-2012 | 8.9.0 | Approved | Jul 12 | https://www.atis.org/docstore/default.aspx |
| CCSA | CCSA-TSD-TDD-25.322 | 8.9.0 | Published | Jun 12 | http://www.ccsa.org.cn/english/tc/files.php?docpath=/ITU-R/M.1457/M.1457-12/TDD |
| ETSI | ETSI TS 125 322 | 8.9.0 | Published | Jun 10 | http://www.etsi.org/deliver/etsi_ts/125300_125399/125322/08.09.00_60/ |
| TTC | TS-3GA-25.322(Rel8)v8.9.0 | 8.9.0 | Approved | Oct 10 | http://www.ttc.or.jp/j/document_list/free/3gpps2010/TS/TS-3GA-25.322(Rel8)v8.9.0.pdf |
| Release 9 | | | | | |
| ATIS | ATIS.3GPP.25.322V930-2012 | 9.3.0 | Approved | Jul 12 | https://www.atis.org/docstore/default.aspx |
| CCSA | CCSA-TSD-TDD-25.322 | 9.3.0 | Published | Jun 12 | http://www.ccsa.org.cn/english/tc/files.php?docpath=/ITU-R/M.1457/M.1457-12/TDD |
| ETSI | ETSI TS 125 322 | 9.3.0 | Published | Jul 11 | http://www.etsi.org/deliver/etsi_ts/125300_125399/125322/09.03.00_60/ |
| TTC | TS-3GA-25.322(Rel9)v9.3.0 | 9.3.0 | Approved | Aug 11 | http://www.ttc.or.jp/j/document_list/free/3gpps2011/TS/TS-3GA-25.322(Rel9)v9.3.0.pdf |
| Release 10 | | | | | |
| ATIS | ATIS.3GPP.25.322V1010-2012 | 10.1.0 | Approved | Jul 12 | https://www.atis.org/docstore/default.aspx |
| CCSA | CCSA-TSD-TDD-25.322 | 10.1.0 | Published | Jun 12 | http://www.ccsa.org.cn/english/tc/files.php?docpath=/ITU-R/M.1457/M.1457-12/TDD |
| ETSI | ETSI TS 125 322 | 10.1.0 | Published | Jul 11 | http://www.etsi.org/deliver/etsi_ts/125300_125399/125322/10.01.00_60/ |
| TTC | TS-3GA-25.322(Rel10)v10.1.0 | 10.1.0 | Approved | Aug 11 | http://www.ttc.or.jp/j/document_list/free/3gpps2011/TS/TS-3GA-25.322(Rel10)v10.1.0.pdf |
| Release 11 | | | | | |
| ATIS | ATIS.3GPP.25.322V1120-2014 | 11.2.0 | Approved | May 14 | https://www.atis.org/docstore/default.aspx |
| CCSA | CCSA-TSD-TDD-25.322 | 11.2.0 | Published | Jun 14 | http://www.ccsa.org.cn/english/tc/files.php?docpath=/ITU-R/M.1457/M.1457-12/TDD |
| ETSI | ETSI TS 125 322 | 11.2.0 | Published | Apr 13 | http://www.etsi.org/deliver/etsi_ts/125300_125399/125322/11.02.00_60/ |
| TTC | TS-3GA-25.322(Rel11)v11.2.0 | 11.2.0 | Approved | Jun 13 | http://www.ttc.or.jp/j/document_list/free/3gpps2013/TS/TS-3GA-25.322(Rel11)v11.2.0.pdf |

5.3.2.2.12 TS 25.323

Packet Data Convergence Protocol (PDCP) specification

This document provides the description of the Packet Data Convergence Protocol (PDCP). PDCP provides its services to the NAS at the UE or the relay at

the Radio Network Controller (RNC). PDCP uses the services provided by the Radio Link Control (RLC) sublayer.

| SDO (2) | Document No. | Version | Status | Issued date | Location (1) |
|-------------------|-----------------------------|---------|-----------|-------------|---|
| Release 99 | | | | | |
| ATIS | T1.3GPP.25.323V3100-2003 | 3.10.0 | Approved | Mar 03 | https://www.atis.org/docstore/default.aspx |
| CCSA | CCSA-TSD-TDD-25.323 | 3.10.0 | Published | Oct 02 | http://www.ccsa.org.cn/english/tc/files.php?docpath=/ITU-R/M.1457/M.1457-12/TDD |
| ETSI | ETSI TS 125 323 | 3.10.0 | Published | Oct 02 | http://www.etsi.org/deliver/etsi_ts/125300_125399/125323/03.10.00_60/ |
| TTC | TS-3GA-25.323(R99)v3.10.0 | 3.10.0 | Approved | Nov 02 | http://www.ttc.or.jp/j/document_list/free/TS/TS-3GA-25.323(R99)v3.10.0.pdf |
| Release 4 | | | | | |
| ATIS | T1.3GPP.25.323V460-2003 | 4.6.0 | Approved | Mar 03 | https://www.atis.org/docstore/default.aspx |
| CCSA | CCSA-TSD-TDD-25.323 | 4.6.0 | Published | Oct 02 | http://www.ccsa.org.cn/english/tc/files.php?docpath=/ITU-R/M.1457/M.1457-12/TDD |
| ETSI | ETSI TS 125 323 | 4.6.0 | Published | Oct 02 | http://www.etsi.org/deliver/etsi_ts/125300_125399/125323/04.06.00_60/ |
| TTC | TS-3GA-25.323(Rel4)v4.6.0 | 4.6.0 | Approved | Nov 02 | http://www.ttc.or.jp/j/document_list/free/TS/TS-3GA-25.323(Rel4)v4.6.0.pdf |
| Release 5 | | | | | |
| ATIS | ATIS.3GPP.25.323V5100-2008 | 5.10.0 | Approved | Oct 08 | https://www.atis.org/docstore/default.aspx |
| CCSA | CCSA-TSD-TDD-25.323 | 5.10.0 | Published | Jan 08 | http://www.ccsa.org.cn/english/tc/files.php?docpath=/ITU-R/M.1457/M.1457-12/TDD |
| ETSI | ETSI TS 125 323 | 5.10.0 | Published | Jan 08 | http://www.etsi.org/deliver/etsi_ts/125300_125399/125323/05.10.00_60/ |
| TTC | TS-3GA-25.323(Rel5)v5.10.0 | 5.10.0 | Approved | Feb 09 | http://www.ttc.or.jp/j/document_list/free/3gpps2009/TS/TS-3GA-25.323(Rel5)v5.10.0.pdf |
| Release 6 | | | | | |
| ATIS | ATIS.3GPP.25.323V6110-2008 | 6.11.0 | Approved | Oct 08 | https://www.atis.org/docstore/default.aspx |
| CCSA | CCSA-TSD-TDD-25.323 | 6.11.0 | Published | Jan 08 | http://www.ccsa.org.cn/english/tc/files.php?docpath=/ITU-R/M.1457/M.1457-12/TDD |
| ETSI | ETSI TS 125 323 | 6.11.0 | Published | Jan 08 | http://www.etsi.org/deliver/etsi_ts/125300_125399/125323/06.11.00_60/ |
| TTC | TS-3GA-25.323(Rel6)v6.11.0 | 6.11.0 | Approved | Feb 09 | http://www.ttc.or.jp/j/document_list/free/3gpps2009/TS/TS-3GA-25.323(Rel6)v6.11.0.pdf |
| Release 7 | | | | | |
| ATIS | ATIS.3GPP.25.323V770-2008 | 7.7.0 | Approved | Oct 08 | https://www.atis.org/docstore/default.aspx |
| CCSA | CCSA-TSD-TDD-25.323 | 7.7.0 | Published | Jan 08 | http://www.ccsa.org.cn/english/tc/files.php?docpath=/ITU-R/M.1457/M.1457-12/TDD |
| ETSI | ETSI TS 125 323 | 7.7.0 | Published | Jan 08 | http://www.etsi.org/deliver/etsi_ts/125300_125399/125323/07.07.00_60/ |
| TTC | TS-3GA-25.323(Rel7)v7.7.0 | 7.7.0 | Approved | Feb 09 | http://www.ttc.or.jp/j/document_list/free/3gpps2009/TS/TS-3GA-25.323(Rel7)v7.7.0.pdf |
| Release 8 | | | | | |
| ATIS | ATIS.3GPP.25.323V850-2010 | 8.5.0 | Approved | Jul 10 | https://www.atis.org/docstore/default.aspx |
| CCSA | CCSA-TSD-TDD-25.323 | 8.5.0 | Published | Mar 10 | http://www.ccsa.org.cn/english/tc/files.php?docpath=/ITU-R/M.1457/M.1457-12/TDD |
| ETSI | ETSI TS 125 323 | 8.5.0 | Published | Feb 10 | http://www.etsi.org/deliver/etsi_ts/125300_125399/125323/08.05.00_60/ |
| TTC | TS-3GA-25.323(Rel8)v8.5.0 | 8.5.0 | Approved | Apr 10 | http://www.ttc.or.jp/j/document_list/free/3gpps2010/TS/TS-3GA-25.323(Rel8)v8.5.0.pdf |
| Release 9 | | | | | |
| ATIS | ATIS.3GPP.25.323V910-2012 | 9.1.0 | Approved | Jul 12 | https://www.atis.org/docstore/default.aspx |
| CCSA | CCSA-TSD-TDD-25.323 | 9.1.0 | Published | Jun 12 | http://www.ccsa.org.cn/english/tc/files.php?docpath=/ITU-R/M.1457/M.1457-12/TDD |
| ETSI | ETSI TS 125 323 | 9.1.0 | Published | Oct 10 | http://www.etsi.org/deliver/etsi_ts/125300_125399/125323/09.01.00_60/ |
| TTC | TS-3GA-25.323(Rel9)v9.1.0 | 9.1.0 | Approved | Dec 10 | http://www.ttc.or.jp/j/document_list/free/3gpps2010/TS/TS-3GA-25.323(Rel9)v9.1.0.pdf |
| Release 10 | | | | | |
| ATIS | ATIS.3GPP.25.323V1010-2012 | 10.1.0 | Approved | Jul 12 | https://www.atis.org/docstore/default.aspx |
| CCSA | CCSA-TSD-TDD-25.323 | 10.1.0 | Published | Jun 12 | http://www.ccsa.org.cn/english/tc/files.php?docpath=/ITU-R/M.1457/M.1457-12/TDD |
| ETSI | ETSI TS 125 323 | 10.1.0 | Published | Jul 11 | http://www.etsi.org/deliver/etsi_ts/125300_125399/125323/10.01.00_60/ |
| TTC | TS-3GA-25.323(Rel10)v10.1.0 | 10.1.0 | Approved | Aug 11 | http://www.ttc.or.jp/j/document_list/free/3gpps2011/TS/TS-3GA-25.323(Rel10)v10.1.0.pdf |

Release 11

| | | | | | |
|------|-----------------------------|--------|-----------|--------|---|
| ATIS | ATIS.3GPP.25.323V1100-2014 | 11.0.0 | Approved | May 14 | https://www.atis.org/docstore/default.aspx |
| CCSA | CCSA-TSD-TDD-25.323 | 11.1.0 | Published | Jun 14 | http://www.ccsa.org.cn/english/tc/files.php?docpath=/ITU-R/M.1457/M.1457-12/TDD |
| ETSI | ETSI TS 125 323 | 11.0.0 | Published | Sep 12 | http://www.etsi.org/deliver/etsi_ts/125300_125399/125323/11.00.00_60/ |
| TTC | TS-3GA-25.323(Rel11)v11.0.0 | 11.0.0 | Approved | Jun 13 | http://www.ttc.or.jp/j/document_list/free/3gpps2013/TS/TS-3GA-25.323(Rel11)v11.0.0.pdf |

5.3.2.2.13 TS 25.324**Broadcast/Multicast Control (BMC)**

This document provides the description of the Broadcast/Multicast Control Protocol (BMC). This protocol adapts broadcast and multicast services on the radio interface.

| SDO (2) | Document No. | Version | Status | Issued date | Location (1) |
|-------------------|---------------------------|---------|-----------|-------------|---|
| Release 99 | | | | | |
| ATIS | ATIS.3GPP.25.324V390-2005 | 3.9.0 | Approved | Apr 05 | https://www.atis.org/docstore/default.aspx |
| CCSA | CCSA-TSD-TDD-25.324 | 3.9.0 | Published | Jan 05 | http://www.ccsa.org.cn/english/tc/files.php?docpath=/ITU-R/M.1457/M.1457-12/TDD |
| ETSI | ETSI TS 125 324 | 3.9.0 | Published | Jan 05 | http://www.etsi.org/deliver/etsi_ts/125300_125399/125324/03.09.00_60/ |
| TTC | TS-3GA-25.324(R99)v3.9.0 | 3.9.0 | Approved | Mar 05 | http://www.ttc.or.jp/j/document_list/free/TS/TS-3GA-25.324(R99)v3.9.0.pdf |
| Release 4 | | | | | |
| ATIS | ATIS.3GPP.25.324V450-2005 | 4.5.0 | Approved | Apr 05 | https://www.atis.org/docstore/default.aspx |
| CCSA | CCSA-TSD-TDD-25.324 | 4.5.0 | Published | Jan 05 | http://www.ccsa.org.cn/english/tc/files.php?docpath=/ITU-R/M.1457/M.1457-12/TDD |
| ETSI | ETSI TS 125 324 | 4.5.0 | Published | Jan 05 | http://www.etsi.org/deliver/etsi_ts/125300_125399/125324/04.05.00_60/ |
| TTC | TS-3GA-25.324(Rel4)v4.5.0 | 4.5.0 | Approved | Mar 05 | http://www.ttc.or.jp/j/document_list/free/TS/TS-3GA-25.324(Rel4)v4.5.0.pdf |
| Release 5 | | | | | |
| ATIS | ATIS.3GPP.25.324V560-2006 | 5.6.0 | Approved | Apr 06 | https://www.atis.org/docstore/default.aspx |
| CCSA | CCSA-TSD-TDD-25.324 | 5.6.0 | Published | Oct 05 | http://www.ccsa.org.cn/english/tc/files.php?docpath=/ITU-R/M.1457/M.1457-12/TDD |
| ETSI | ETSI TS 125 324 | 5.6.0 | Published | Oct 05 | http://www.etsi.org/deliver/etsi_ts/125300_125399/125324/05.06.00_60/ |
| TTC | TS-3GA-25.324(Rel5)v5.6.0 | 5.6.0 | Approved | Nov 05 | http://www.ttc.or.jp/j/document_list/free/TS/TS-3GA-25.324(Rel5)v5.6.0.pdf |
| Release 6 | | | | | |
| ATIS | ATIS.3GPP.25.324V660-2007 | 6.6.0 | Approved | Oct 07 | https://www.atis.org/docstore/default.aspx |
| CCSA | CCSA-TSD-TDD-25.324 | 6.6.0 | Published | Jul 06 | http://www.ccsa.org.cn/english/tc/files.php?docpath=/ITU-R/M.1457/M.1457-12/TDD |
| ETSI | ETSI TS 125 324 | 6.6.0 | Published | Jul 06 | http://www.etsi.org/deliver/etsi_ts/125300_125399/125324/06.06.00_60/ |
| TTC | TS-3GA-25.324(Rel6)v6.6.0 | 6.6.0 | Approved | Mar 07 | http://www.ttc.or.jp/j/document_list/free/TS/TS-3GA-25.324(Rel6)v6.6.0.pdf |
| Release 7 | | | | | |
| ATIS | ATIS.3GPP.25.324V710-2007 | 7.1.0 | Approved | Oct 07 | https://www.atis.org/docstore/default.aspx |
| CCSA | CCSA-TSD-TDD-25.324 | 7.1.0 | Published | Jul 06 | http://www.ccsa.org.cn/english/tc/files.php?docpath=/ITU-R/M.1457/M.1457-12/TDD |
| ETSI | ETSI TS 125 324 | 7.1.0 | Published | Jul 06 | http://www.etsi.org/deliver/etsi_ts/125300_125399/125324/07.01.00_60/ |
| TTC | TS-3GA-25.324(Rel7)v7.1.0 | 7.1.0 | Approved | Mar 08 | http://www.ttc.or.jp/j/document_list/free/TS/TS-3GA-25.324(Rel7)v7.1.0.pdf |
| Release 8 | | | | | |
| ATIS | ATIS.3GPP.25.324V800-2008 | 8.0.0 | Approved | Oct 08 | https://www.atis.org/docstore/default.aspx |
| CCSA | CCSA-TSD-TDD-25.324 | 8.0.0 | Published | Oct 08 | http://www.ccsa.org.cn/english/tc/files.php?docpath=/ITU-R/M.1457/M.1457-12/TDD |
| ETSI | ETSI TS 125 324 | 8.0.0 | Published | Oct 08 | http://www.etsi.org/deliver/etsi_ts/125300_125399/125324/08.00.00_60/ |
| TTC | TS-3GA-25.324(Rel8)v8.0.0 | 8.0.0 | Approved | Feb 09 | http://www.ttc.or.jp/j/document_list/free/3gpps2009/TS/TS-3GA-25.324(Rel8)v8.0.0.pdf |
| Release 9 | | | | | |

| | | | | | |
|-------------------|-----------------------------|--------|-----------|--------|---|
| ATIS | ATIS.3GPP.25.324V900-2010 | 9.0.0 | Approved | Jul 10 | https://www.atis.org/docstore/default.aspx |
| CCSA | CCSA-TSD-TDD-25.324 | 9.0.0 | Published | Mar 10 | http://www.ccsa.org.cn/english/tc/files.php?docpath=/ITU-R/M.1457/M.1457-12/TDD |
| ETSI | ETSI TS 125 324 | 9.0.0 | Published | Feb 10 | http://www.etsi.org/deliver/etsi_ts/125300_125399/125324/09.00.00_60/ |
| TTC | TS-3GA-25.324(Rel9)v9.0.0 | 9.0.0 | Approved | Jul 10 | http://www.ttc.or.jp/j/document_list/free/3gpps2010/TS/TS-3GA-25.324(Rel9)v9.0.0.pdf |
| Release 10 | | | | | |
| ATIS | ATIS.3GPP.25.324V1000-2012 | 10.0.0 | Approved | Jul 12 | https://www.atis.org/docstore/default.aspx |
| CCSA | CCSA-TSD-TDD-25.324 | 10.0.0 | Published | Jun 12 | http://www.ccsa.org.cn/english/tc/files.php?docpath=/ITU-R/M.1457/M.1457-12/TDD |
| ETSI | ETSI TS 125 324 | 10.0.0 | Published | Apr 11 | http://www.etsi.org/deliver/etsi_ts/125300_125399/125324/10.00.00_60/ |
| TTC | TS-3GA-25.324(Rel10)v10.0.0 | 10.0.0 | Approved | Jun 11 | http://www.ttc.or.jp/j/document_list/free/3gpps2011/TS/TS-3GA-25.324(Rel10)v10.0.0.pdf |
| Release 11 | | | | | |
| ATIS | ATIS.3GPP.25.324V1100-2014 | 11.0.0 | Approved | May 14 | https://www.atis.org/docstore/default.aspx |
| CCSA | CCSA-TSD-TDD-25.324 | 11.1.0 | Published | Jun 14 | http://www.ccsa.org.cn/english/tc/files.php?docpath=/ITU-R/M.1457/M.1457-12/TDD |
| ETSI | ETSI TS 125 324 | 11.0.0 | Published | Sep 12 | http://www.etsi.org/deliver/etsi_ts/125300_125399/125324/11.00.00_60/ |
| TTC | TS-3GA-25.324(Rel11)v11.0.0 | 11.0.0 | Approved | Jun 13 | http://www.ttc.or.jp/j/document_list/free/3gpps2013/TS/TS-3GA-25.324(Rel11)v11.0.0.pdf |

5.3.2.2.14 TS 25.331

Radio Resource Control (RRC); Protocol specification

This specification describes the RRC protocol for the radio system. The scope of this specification contains also the information to be transported in a transparent container between source RNC and target RNC in connection to SRNC relocation.

| SDO (2) | Document No. | Version | Status | Issued date | Location (1) |
|-------------------|----------------------------|---------|-----------|-------------|---|
| Release 99 | | | | | |
| ATIS | ATIS.3GPP.25.331V3210-2005 | 3.21.0 | Approved | Apr 05 | https://www.atis.org/docstore/default.aspx |
| CCSA | CCSA-TSD-TDD-25.331 | 3.21.0 | Published | Jan 05 | http://www.ccsa.org.cn/english/tc/files.php?docpath=/ITU-R/M.1457/M.1457-12/TDD |
| ETSI | ETSI TS 125 331 | 3.21.0 | Published | Jan 05 | http://www.etsi.org/deliver/etsi_ts/125300_125399/125331/03.21.00_60/ |
| TTC | TS-3GA-25.331(R99)v3.21.0 | 3.21.0 | Approved | Mar 05 | http://www.ttc.or.jp/j/document_list/free/TS/TS-3GA-25.331(R99)v3.21.0.pdf |
| Release 4 | | | | | |
| ATIS | ATIS.3GPP.25.331V4200-2009 | 4.20.0 | Approved | Jul 09 | https://www.atis.org/docstore/default.aspx |
| CCSA | CCSA-TSD-TDD-25.331 | 4.21.0 | Published | Jun 12 | http://www.ccsa.org.cn/english/tc/files.php?docpath=/ITU-R/M.1457/M.1457-12/TDD |
| ETSI | ETSI TS 125 331 | 4.21.0 | Published | Jan 12 | http://www.etsi.org/deliver/etsi_ts/125300_125399/125331/04.21.00_60/ |
| TTC | TS-3GA-25.331(Rel4)v4.21.0 | 4.21.0 | Approved | Feb 12 | http://www.ttc.or.jp/j/document_list/free/3gpps2012/TS/TS-3GA-25.331(Rel4)v4.21.0.pdf |
| Release 5 | | | | | |
| ATIS | ATIS.3GPP.25.331V5240-2010 | 5.24.0 | Approved | Jul 10 | https://www.atis.org/docstore/default.aspx |
| CCSA | CCSA-TSD-TDD-25.331 | 5.25.0 | Published | Jun 12 | http://www.ccsa.org.cn/english/tc/files.php?docpath=/ITU-R/M.1457/M.1457-12/TDD |
| ETSI | ETSI TS 125 331 | 5.25.0 | Published | Jan 12 | http://www.etsi.org/deliver/etsi_ts/125300_125399/125331/05.25.00_60/ |
| TTC | TS-3GA-25.331(Rel5)v5.25.0 | 5.25.0 | Approved | Feb 12 | http://www.ttc.or.jp/j/document_list/free/3gpps2012/TS/TS-3GA-25.331(Rel5)v5.25.0.pdf |
| Release 6 | | | | | |
| ATIS | ATIS.3GPP.25.331V6250-2010 | 6.25.0 | Approved | Jul 10 | https://www.atis.org/docstore/default.aspx |
| CCSA | CCSA-TSD-TDD-25.331 | 6.26.0 | Published | Jun 12 | http://www.ccsa.org.cn/english/tc/files.php?docpath=/ITU-R/M.1457/M.1457-12/TDD |
| ETSI | ETSI TS 125 331 | 6.26.0 | Published | Jan 12 | http://www.etsi.org/deliver/etsi_ts/125300_125399/125331/06.26.00_60/ |
| TTC | TS-3GA-25.331(Rel6)v6.26.0 | 6.26.0 | Approved | Feb 12 | http://www.ttc.or.jp/j/document_list/free/3gpps2012/TS/TS-3GA-25.331(Rel6)v6.26.0.pdf |
| Release 7 | | | | | |

| | | | | | |
|-------------------|------------------------------|---------|-----------|--------|---|
| ATIS | ATIS.3GPP.25.331V7200-2012 | 7.20.0 | Approved | Jul 12 | https://www.atis.org/docstore/default.aspx |
| CCSA | CCSA-TSD-TDD-25.331 | 7.21.0 | Published | Jun 12 | http://www.ccsa.org.cn/english/tc/files.php?docpath=/ITU-R/M.1457/M.1457-12/TDD |
| ETSI | ETSI TS 125 331 | 7.23.0 | Published | Feb 13 | http://www.etsi.org/deliver/etsi_ts/125300_125399/125331/07.23.00_60/ |
| TTC | TS-3GA-25.331(Rel7)v7.23.0 | 7.23.0 | Approved | Jun 13 | http://www.ttc.or.jp/jp/document_list/free/3gpps2013/TS/TS-3GA-25.331(Rel7)v7.23.0.pdf |
| Release 8 | | | | | |
| ATIS | ATIS.3GPP.25.331V8220-2014 | 8.22.0 | Approved | May 14 | https://www.atis.org/docstore/default.aspx |
| CCSA | CCSA-TSD-TDD-25.331 | 8.17.0 | Published | Jun 12 | http://www.ccsa.org.cn/english/tc/files.php?docpath=/ITU-R/M.1457/M.1457-12/TDD |
| ETSI | ETSI TS 125 331 | 8.22.0 | Published | Apr 13 | http://www.etsi.org/deliver/etsi_ts/125300_125399/125331/08.22.00_60/ |
| TTC | TS-3GA-25.331(Rel8)v8.22.0 | 8.22.0 | Approved | Jun 13 | http://www.ttc.or.jp/jp/document_list/free/3gpps2013/TS/TS-3GA-25.331(Rel8)v8.22.0.pdf |
| Release 9 | | | | | |
| ATIS | ATIS.3GPP.25.331V9140-2014 | 9.14.0 | Approved | May 14 | https://www.atis.org/docstore/default.aspx |
| CCSA | CCSA-TSD-TDD-25.331 | 9.9.0 | Published | Jun 12 | http://www.ccsa.org.cn/english/tc/files.php?docpath=/ITU-R/M.1457/M.1457-12/TDD |
| ETSI | ETSI TS 125 331 | 9.14.0 | Published | Apr 13 | http://www.etsi.org/deliver/etsi_ts/125300_125399/125331/09.14.00_60/ |
| TTC | TS-3GA-25.331(Rel9)v9.14.0 | 9.14.0 | Approved | Jun 13 | http://www.ttc.or.jp/jp/document_list/free/3gpps2013/TS/TS-3GA-25.331(Rel9)v9.14.0.pdf |
| Release 10 | | | | | |
| ATIS | ATIS.3GPP.25.331V10110- | 10.11.0 | Approved | May 14 | https://www.atis.org/docstore/default.aspx |
| CCSA | CCSA-TSD-TDD-25.331 | 10.6.0 | Published | Jun 12 | http://www.ccsa.org.cn/english/tc/files.php?docpath=/ITU-R/M.1457/M.1457-12/TDD |
| ETSI | ETSI TS 125 331 | 10.11.0 | Published | Apr 13 | http://www.etsi.org/deliver/etsi_ts/125300_125399/125331/10.11.00_60/ |
| TTC | TS-3GA-25.331(Rel10)v10.11.0 | 10.11.0 | Approved | Jun 13 | http://www.ttc.or.jp/jp/document_list/free/3gpps2013/TS/TS-3GA-25.331(Rel10)v10.11.0.pdf |
| Release 11 | | | | | |
| ATIS | ATIS.3GPP.25.331V1150-2014 | 11.5.0 | Approved | May 14 | https://www.atis.org/docstore/default.aspx |
| CCSA | CCSA-TSD-TDD-25.331 | 11.9.0 | Published | Jun 14 | http://www.ccsa.org.cn/english/tc/files.php?docpath=/ITU-R/M.1457/M.1457-12/TDD |
| ETSI | ETSI TS 125 331 | 11.5.0 | Published | Apr 13 | http://www.etsi.org/deliver/etsi_ts/125300_125399/125331/11.05.00_60/ |
| TTC | TS-3GA-25.331(Rel11)v11.5.0 | 11.5.0 | Approved | Jun 13 | http://www.ttc.or.jp/jp/document_list/free/3gpps2013/TS/TS-3GA-25.331(Rel11)v11.5.0.pdf |

5.3.2.2.15 TS 25.346

Introduction of the Multimedia Broadcast/Multicast Service (MBMS) in the Radio Access Network (RAN); Stage 2

This document is a technical specification of the overall support of Multimedia Broadcast and Multicast Services in UTRA.

| SDO (2) | Document No. | Version | Status | Issued date | Location (1) |
|------------------|----------------------------|---------|-----------|-------------|---|
| Release 6 | | | | | |
| ATIS | ATIS.3GPP.25.346V6130-2008 | 6.13.0 | Approved | Oct 08 | https://www.atis.org/docstore/default.aspx |
| CCSA | CCSA-TSD-TDD-25.346 | 6.13.0 | Published | Apr 08 | http://www.ccsa.org.cn/english/tc/files.php?docpath=/ITU-R/M.1457/M.1457-12/TDD |
| ETSI | ETSI TS 125 346 | 6.13.0 | Published | Apr 08 | http://www.etsi.org/deliver/etsi_ts/125300_125399/125346/06.13.00_60/ |
| TTC | TS-3GA-25.346(Rel6)v6.13.0 | 6.13.0 | Approved | Feb 09 | http://www.ttc.or.jp/jp/document_list/free/3gpps2009/TS/TS-3GA-25.346(Rel6)v6.13.0.pdf |
| Release 7 | | | | | |
| ATIS | ATIS.3GPP.25.346V770-2008 | 7.7.0 | Approved | Oct 08 | https://www.atis.org/docstore/default.aspx |

| | | | | | |
|-------------------|-----------------------------|--------|-----------|--------|---|
| CCSA | CCSA-TSD-TDD-25.346 | 7.7.0 | Published | Apr 08 | http://www.ccsa.org.cn/english/tc/files.php?docpath=/ITU-R/M.1457/M.1457-12/TDD |
| ETSI | ETSI TS 125 346 | 7.7.0 | Published | Apr 08 | http://www.etsi.org/deliver/etsi_ts/125300_125399/125346/07.07.00_60/ |
| TTC | TS-3GA-25.346(Rel7)v7.7.0 | 7.7.0 | Approved | Feb 09 | http://www.ttc.or.jp/j/document_list/free/3gpps2009/TS/TS-3GA-25.346(Rel7)v7.7.0.pdf |
| Release 8 | | | | | |
| ATIS | ATIS.3GPP.25.346V840-2010 | 8.4.0 | Approved | Jul 10 | https://www.atis.org/docstore/default.aspx |
| CCSA | CCSA-TSD-TDD-25.346 | 8.4.0 | Published | Mar 10 | http://www.ccsa.org.cn/english/tc/files.php?docpath=/ITU-R/M.1457/M.1457-12/TDD |
| ETSI | ETSI TS 125 346 | 8.4.0 | Published | Feb 10 | http://www.etsi.org/deliver/etsi_ts/125300_125399/125346/08.04.00_60/ |
| TTC | TS-3GA-25.346(Rel8)v8.4.0 | 8.4.0 | Approved | Apr 10 | http://www.ttc.or.jp/j/document_list/free/3gpps2010/TS/TS-3GA-25.346(Rel8)v8.4.0.pdf |
| Release 9 | | | | | |
| ATIS | ATIS.3GPP.25.346V910-2010 | 9.1.0 | Approved | Jul 10 | https://www.atis.org/docstore/default.aspx |
| CCSA | CCSA-TSD-TDD-25.346 | 9.1.0 | Published | Jun 12 | http://www.ccsa.org.cn/english/tc/files.php?docpath=/ITU-R/M.1457/M.1457-12/TDD |
| ETSI | ETSI TS 125 346 | 9.1.0 | Published | Apr 10 | http://www.etsi.org/deliver/etsi_ts/125300_125399/125346/09.01.00_60/ |
| TTC | TS-3GA-25.346(Rel9)v9.1.0 | 9.1.0 | Approved | Jul 10 | http://www.ttc.or.jp/j/document_list/free/3gpps2010/TS/TS-3GA-25.346(Rel9)v9.1.0.pdf |
| Release 10 | | | | | |
| ATIS | ATIS.3GPP.25.346V1000-2012 | 10.0.0 | Approved | Jul 12 | https://www.atis.org/docstore/default.aspx |
| CCSA | CCSA-TSD-TDD-25.346 | 10.0.0 | Published | Jun 12 | http://www.ccsa.org.cn/english/tc/files.php?docpath=/ITU-R/M.1457/M.1457-12/TDD |
| ETSI | ETSI TS 125 346 | 10.0.0 | Published | Mar 11 | http://www.etsi.org/deliver/etsi_ts/125300_125399/125346/10.00.00_60/ |
| TTC | TS-3GA-25.346(Rel10)v10.0.0 | 10.0.0 | Approved | Jun 11 | http://www.ttc.or.jp/j/document_list/free/3gpps2011/TS/TS-3GA-25.346(Rel10)v10.0.0.pdf |
| Release 11 | | | | | |
| ATIS | ATIS.3GPP.25.346V1100-2014 | 11.0.0 | Approved | May 14 | https://www.atis.org/docstore/default.aspx |
| CCSA | CCSA-TSD-TDD-25.346 | 11.0.0 | Published | Jun 14 | http://www.ccsa.org.cn/english/tc/files.php?docpath=/ITU-R/M.1457/M.1457-12/TDD |
| ETSI | ETSI TS 125 346 | 11.0.0 | Published | Sep 12 | http://www.etsi.org/deliver/etsi_ts/125300_125399/125346/11.00.00_60/ |
| TTC | TS-3GA-25.346(Rel11)v11.0.0 | 11.0.0 | Approved | Jun 13 | http://www.ttc.or.jp/j/document_list/free/3gpps2013/TS/TS-3GA-25.346(Rel11)v11.0.0.pdf |

5.3.2.3 25.400 series

5.3.2.3.1 TS 25.401

UTRAN overall description

This specification describes the overall architecture of the UTRAN, including internal interfaces and assumptions on the radio and Iu interfaces.

| SDO (2) | Document No. | Version | Status | Issued date | Location (1) |
|-------------------|--------------------------|---------|-----------|-------------|---|
| Release 99 | | | | | |
| ARIB | ARIB STD-T63-25.401 | 3.10.0 | Approved | Jul 13 | http://www.arib.or.jp/english/html/overview/doc/STD-T63v10_00/2_T63/ARIB-STD-T63/R99/25/A25401-3a0.pdf |
| ATIS | T1.3GPP.25.401V3100-2003 | 3.10.0 | Approved | Mar 03 | https://www.atis.org/docstore/default.aspx |
| CCSA | CCSA-TSD-TDD-25.401 | 3.10.0 | Published | Jul 02 | http://www.ccsa.org.cn/english/tc/files.php?docpath=/ITU-R/M.1457/M.1457-12/TDD |
| ETSI | ETSI TS 125 401 | 3.10.0 | Published | Jul 02 | http://www.etsi.org/deliver/etsi_ts/125400_125499/125401/03.10.00_60/ |
| Release 4 | | | | | |
| ARIB | ARIB STD-T63-25.401 | 4.6.0 | Approved | Jul 13 | http://www.arib.or.jp/english/html/overview/doc/STD-T63v10_00/2_T63/ARIB-STD-T63/Rel4/25/A25401-460.pdf |
| ATIS | T1.3GPP.25.401V460-2003 | 4.6.0 | Approved | Mar 03 | https://www.atis.org/docstore/default.aspx |
| CCSA | CCSA-TSD-TDD-25.401 | 4.6.0 | Published | Jan 03 | http://www.ccsa.org.cn/english/tc/files.php?docpath=/ITU-R/M.1457/M.1457-12/TDD |
| ETSI | ETSI TS 125 401 | 4.6.0 | Published | Jan 03 | http://www.etsi.org/deliver/etsi_ts/125400_125499/125401/04.06.00_60/ |
| Release 5 | | | | | |

| | | | | | |
|-------------------|----------------------------|--------|-----------|--------|---|
| ARIB | ARIB STD-T63-25.401 | 5.10.0 | Approved | Jul 13 | http://www.arib.or.jp/english/html/overview/doc/STD-T63v10_00/2_T63/ARIB-STD-T63/Rel5/25/A25401-5a0.pdf |
| ATIS | ATIS.3GPP.25.401V5100-2006 | 5.10.0 | Approved | Apr 06 | https://www.atis.org/docstore/default.aspx |
| CCSA | CCSA-TSD-TDD-25.401 | 5.10.0 | Published | Jul 05 | http://www.ccsa.org.cn/english/tc/files.php?docpath=/ITU-R/M.1457/M.1457-12/TDD |
| ETSI | ETSI TS 125 401 | 5.10.0 | Published | Jul 05 | http://www.etsi.org/deliver/etsi_ts/125400_125499/125401/05.10.00_60/ |
| Release 6 | | | | | |
| ARIB | ARIB STD-T63-25.401 | 6.9.0 | Approved | Jul 13 | http://www.arib.or.jp/english/html/overview/doc/STD-T63v10_00/2_T63/ARIB-STD-T63/Rel6/25/A25401-690.pdf |
| ATIS | ATIS.3GPP.25.401V690-2007 | 6.9.0 | Approved | Oct 07 | https://www.atis.org/docstore/default.aspx |
| CCSA | CCSA-TSD-TDD-25.401 | 6.9.0 | Published | Dec 06 | http://www.ccsa.org.cn/english/tc/files.php?docpath=/ITU-R/M.1457/M.1457-12/TDD |
| ETSI | ETSI TS 125 401 | 6.9.0 | Published | Dec 06 | http://www.etsi.org/deliver/etsi_ts/125400_125499/125401/06.09.00_60/ |
| Release 7 | | | | | |
| ARIB | ARIB STD-T63-25.401 | 7.6.0 | Approved | Jul 13 | http://www.arib.or.jp/english/html/overview/doc/STD-T63v10_00/2_T63/ARIB-STD-T63/Rel7/25/A25401-760.pdf |
| ATIS | ATIS.3GPP.25.401V760-2009 | 7.6.0 | Approved | Jul 09 | https://www.atis.org/docstore/default.aspx |
| CCSA | CCSA-TSD-TDD-25.401 | 7.6.0 | Published | Jul 08 | http://www.ccsa.org.cn/english/tc/files.php?docpath=/ITU-R/M.1457/M.1457-12/TDD |
| ETSI | ETSI TS 125 401 | 7.6.0 | Published | Jul 08 | http://www.etsi.org/deliver/etsi_ts/125400_125499/125401/07.06.00_60/ |
| Release 8 | | | | | |
| ARIB | ARIB STD-T63-25.401 | 8.2.0 | Approved | Jul 13 | http://www.arib.or.jp/english/html/overview/doc/STD-T63v10_00/2_T63/ARIB-STD-T63/Rel8/25/A25401-820.pdf |
| ATIS | ATIS.3GPP.25.401V820-2009 | 8.2.0 | Approved | Jul 09 | https://www.atis.org/docstore/default.aspx |
| CCSA | CCSA-TSD-TDD-25.401 | 8.2.0 | Published | Jan 09 | http://www.ccsa.org.cn/english/tc/files.php?docpath=/ITU-R/M.1457/M.1457-12/TDD |
| ETSI | ETSI TS 125 401 | 8.2.0 | Published | Jan 09 | http://www.etsi.org/deliver/etsi_ts/125400_125499/125401/08.02.00_60/ |
| Release 9 | | | | | |
| ARIB | ARIB STD-T63-25.401 | 9.1.1 | Approved | Jul 13 | http://www.arib.or.jp/english/html/overview/doc/STD-T63v10_00/2_T63/ARIB-STD-T63/Rel9/25/A25401-911.pdf |
| ATIS | ATIS.3GPP.25.401V911-2012 | 9.1.1 | Approved | Jul 12 | https://www.atis.org/docstore/default.aspx |
| CCSA | CCSA-TSD-TDD-25.401 | 9.1.0 | Published | Jun 12 | http://www.ccsa.org.cn/english/tc/files.php?docpath=/ITU-R/M.1457/M.1457-12/TDD |
| ETSI | ETSI TS 125 401 | 9.1.1 | Published | Apr 11 | http://www.etsi.org/deliver/etsi_ts/125400_125499/125401/09.01.01_60/ |
| Release 10 | | | | | |
| ARIB | ARIB STD-T63-25.401 | 10.2.0 | Approved | Jul 13 | http://www.arib.or.jp/english/html/overview/doc/STD-T63v10_00/2_T63/ARIB-STD-T63/Rel10/25/A25401-a20.pdf |
| ATIS | ATIS.3GPP.25.401V1020-2012 | 10.2.0 | Approved | Jul 12 | https://www.atis.org/docstore/default.aspx |
| CCSA | CCSA-TSD-TDD-25.401 | 10.2.0 | Published | Jun 12 | http://www.ccsa.org.cn/english/tc/files.php?docpath=/ITU-R/M.1457/M.1457-12/TDD |
| ETSI | ETSI TS 125 401 | 10.2.0 | Published | Jul 11 | http://www.etsi.org/deliver/etsi_ts/125400_125499/125401/10.02.00_60/ |
| Release 11 | | | | | |
| ARIB | ARIB STD-T63-25.401 | 11.1.0 | Approved | Jul 13 | http://www.arib.or.jp/english/html/overview/doc/STD-T63v10_00/2_T63/ARIB-STD-T63/Rel11/25/A25401-b10.pdf |
| ATIS | ATIS.3GPP.25.401V1110-2014 | 11.1.0 | Approved | May 14 | https://www.atis.org/docstore/default.aspx |
| CCSA | CCSA-TSD-TDD-25.401 | 11.1.0 | Published | Jul 02 | http://www.ccsa.org.cn/english/tc/files.php?docpath=/ITU-R/M.1457/M.1457-12/TDD |
| ETSI | ETSI TS 125 401 | 11.1.0 | Published | Jan 13 | http://www.etsi.org/deliver/etsi_ts/125400_125499/125401/11.01.00_60/ |

5.3.2.3.2 TS 25.402

Synchronisation in UTRAN Stage 2

This document constitutes the Stage 2 specification of different synchronisation mechanisms in UTRAN and on Uu.

| SDO (2) | Document No. | Version | Status | Issued date | Location (1) |
|-------------------|--------------------------|---------|----------|-------------|---|
| Release 99 | | | | | |
| ARIB | ARIB STD-T63-25.402 | 3.10.0 | Approved | Jul 13 | http://www.arib.or.jp/english/html/overview/doc/STD-T63v10_00/2_T63/ARIB-STD-T63/R99/25/A25402-3a0.pdf |
| ATIS | T1.3GPP.25.402V3100-2003 | 3.10.0 | Approved | Mar 03 | https://www.atis.org/docstore/default.aspx |

| | | | | | |
|-------------------|----------------------------|--------|-----------|--------|---|
| CCSA | CCSA-TSD-TDD-25.402 | 3.10.0 | Published | Jul 02 | http://www.ccsa.org.cn/english/tc/files.php?docpath=/ITU-R/M.1457/M.1457-12/TDD |
| ETSI | ETSI TS 125 402 | 3.10.0 | Published | Jul 02 | http://www.etsi.org/deliver/etsi_ts/125400_125499/125402/03.10.00_60/ |
| Release 4 | | | | | |
| ARIB | ARIB STD-T63-25.402 | 4.6.0 | Approved | Jul 13 | http://www.arib.or.jp/english/html/overview/doc/STD-T63v10_00/2_T63/ARIB-STD-T63/Rel4/25/A25402-460.pdf |
| ATIS | T1.3GPP.25.402V460-2003 | 4.6.0 | Approved | Mar 03 | https://www.atis.org/docstore/default.aspx |
| CCSA | CCSA-TSD-TDD-25.402 | 4.6.0 | Published | Jan 03 | http://www.ccsa.org.cn/english/tc/files.php?docpath=/ITU-R/M.1457/M.1457-12/TDD |
| ETSI | ETSI TS 125 402 | 4.6.0 | Published | Jan 03 | http://www.etsi.org/deliver/etsi_ts/125400_125499/125402/04.06.00_60/ |
| Release 5 | | | | | |
| ARIB | ARIB STD-T63-25.402 | 5.4.0 | Approved | Jul 13 | http://www.arib.or.jp/english/html/overview/doc/STD-T63v10_00/2_T63/ARIB-STD-T63/Rel5/25/A25402-540.pdf |
| ATIS | ATIS.3GPP.25.402V540-2006 | 5.4.0 | Approved | Apr 06 | https://www.atis.org/docstore/default.aspx |
| CCSA | CCSA-TSD-TDD-25.402 | 5.4.0 | Published | Jul 05 | http://www.ccsa.org.cn/english/tc/files.php?docpath=/ITU-R/M.1457/M.1457-12/TDD |
| ETSI | ETSI TS 125 402 | 5.4.0 | Published | Jul 05 | http://www.etsi.org/deliver/etsi_ts/125400_125499/125402/05.04.00_60/ |
| Release 6 | | | | | |
| ARIB | ARIB STD-T63-25.402 | 6.6.0 | Approved | Jul 13 | http://www.arib.or.jp/english/html/overview/doc/STD-T63v10_00/2_T63/ARIB-STD-T63/Rel6/25/A25402-660.pdf |
| ATIS | ATIS.3GPP.25.402V660-2009 | 6.6.0 | Approved | Jul 09 | https://www.atis.org/docstore/default.aspx |
| CCSA | CCSA-TSD-TDD-25.402 | 6.6.0 | Published | Oct 08 | http://www.ccsa.org.cn/english/tc/files.php?docpath=/ITU-R/M.1457/M.1457-12/TDD |
| ETSI | ETSI TS 125 402 | 6.6.0 | Published | Oct 08 | http://www.etsi.org/deliver/etsi_ts/125400_125499/125402/06.06.00_60/ |
| Release 7 | | | | | |
| ARIB | ARIB STD-T63-25.402 | 7.6.0 | Approved | Jul 13 | http://www.arib.or.jp/english/html/overview/doc/STD-T63v10_00/2_T63/ARIB-STD-T63/Rel7/25/A25402-760.pdf |
| ATIS | ATIS.3GPP.25.402V760-2009 | 7.6.0 | Approved | Jul 09 | https://www.atis.org/docstore/default.aspx |
| CCSA | CCSA-TSD-TDD-25.402 | 7.6.0 | Published | Oct 08 | http://www.ccsa.org.cn/english/tc/files.php?docpath=/ITU-R/M.1457/M.1457-12/TDD |
| ETSI | ETSI TS 125 402 | 7.6.0 | Published | Oct 08 | http://www.etsi.org/deliver/etsi_ts/125400_125499/125402/07.06.00_60/ |
| Release 8 | | | | | |
| ARIB | ARIB STD-T63-25.402 | 8.1.0 | Approved | Jul 13 | http://www.arib.or.jp/english/html/overview/doc/STD-T63v10_00/2_T63/ARIB-STD-T63/Rel8/25/A25402-810.pdf |
| ATIS | ATIS.3GPP.25.402V810-2010 | 8.1.0 | Approved | Jul 10 | https://www.atis.org/docstore/default.aspx |
| CCSA | CCSA-TSD-TDD-25.402 | 8.1.0 | Published | Mar 10 | http://www.ccsa.org.cn/english/tc/files.php?docpath=/ITU-R/M.1457/M.1457-12/TDD |
| ETSI | ETSI TS 125 402 | 8.1.0 | Published | Jul 09 | http://www.etsi.org/deliver/etsi_ts/125400_125499/125402/08.01.00_60/ |
| Release 9 | | | | | |
| ARIB | ARIB STD-T63-25.402 | 9.0.1 | Approved | Jul 13 | http://www.arib.or.jp/english/html/overview/doc/STD-T63v10_00/2_T63/ARIB-STD-T63/Rel9/25/A25402-901.pdf |
| ATIS | ATIS.3GPP.25.402V901-2012 | 9.0.1 | Approved | Jul 12 | https://www.atis.org/docstore/default.aspx |
| CCSA | CCSA-TSD-TDD-25.402 | 9.0.1 | Published | Jun 12 | http://www.ccsa.org.cn/english/tc/files.php?docpath=/ITU-R/M.1457/M.1457-12/TDD |
| ETSI | ETSI TS 125 402 | 9.0.1 | Published | Apr 11 | http://www.etsi.org/deliver/etsi_ts/125400_125499/125402/09.00.01_60/ |
| Release 10 | | | | | |
| ARIB | ARIB STD-T63-25.402 | 10.1.0 | Approved | Jul 13 | http://www.arib.or.jp/english/html/overview/doc/STD-T63v10_00/2_T63/ARIB-STD-T63/Rel10/25/A25402-a10.pdf |
| ATIS | ATIS.3GPP.25.402V1010-2012 | 10.1.0 | Approved | Jul 12 | https://www.atis.org/docstore/default.aspx |
| CCSA | CCSA-TSD-TDD-25.402 | 10.1.0 | Published | Jun 12 | http://www.ccsa.org.cn/english/tc/files.php?docpath=/ITU-R/M.1457/M.1457-12/TDD |
| ETSI | ETSI TS 125 402 | 10.1.0 | Published | Jul 11 | http://www.etsi.org/deliver/etsi_ts/125400_125499/125402/10.01.00_60/ |
| Release 11 | | | | | |
| ARIB | ARIB STD-T63-25.402 | 11.0.0 | Approved | Jul 13 | http://www.arib.or.jp/english/html/overview/doc/STD-T63v10_00/2_T63/ARIB-STD-T63/Rel11/25/A25402-b00.pdf |
| ATIS | ATIS.3GPP.25.402V1100-2014 | 11.0.0 | Approved | May 14 | https://www.atis.org/docstore/default.aspx |
| CCSA | CCSA-TSD-TDD-25.402 | 11.0.0 | Published | Jun 14 | http://www.ccsa.org.cn/english/tc/files.php?docpath=/ITU-R/M.1457/M.1457-12/TDD |
| ETSI | ETSI TS 125 402 | 11.0.0 | Published | Oct 12 | http://www.etsi.org/deliver/etsi_ts/125400_125499/125402/11.00.00_60/ |

5.3.2.3.3 TS 25.410**UTRAN Iu interface: General aspects and principles**

This specification describes an introduction to the 25.41x series of technical specifications that define the Iu interface for the interconnection of RNC component of the UTRAN to the CN.

| SDO (2) | Document No. | Version | Status | Issued date | Location (1) |
|---------|--------------|---------|--------|-------------|--------------|
|---------|--------------|---------|--------|-------------|--------------|

5.3.2.3.4 TS 25.411**UTRAN Iu interface layer 1**

This specification describes the standards allowed to implement Layer 1 on the Iu interface. The specification of transmission delay requirements and O&M requirements are not in the scope of this specification.

| SDO (2) | Document No. | Version | Status | Issued date | Location (1) |
|---------|--------------|---------|--------|-------------|--------------|
|---------|--------------|---------|--------|-------------|--------------|

Release 99

| | | | | | |
|------|--------------------------|-------|-----------|--------|---|
| ATIS | T1.3GPP.25.411V350-2002 | 3.5.0 | Approved | May 02 | https://www.atis.org/docstore/default.aspx |
| CCSA | CCSA-TSD-TDD-25.411 | 3.5.0 | Published | Aug 01 | http://www.ccsa.org.cn/english/tc/files.php?docpath=/ITU-R/M.1457/M.1457-12/TDD |
| ETSI | ETSI TS 125 411 | 3.5.0 | Published | Aug 01 | http://www.etsi.org/deliver/etsi_ts/125400_125499/125411/03.05.00_60/ |
| TTC | TS-3GA-25.411(R99)v3.5.0 | 3.5.0 | Approved | Aug 01 | http://www.ttc.or.jp/j/document_list/free/TS/TS-3GA-25.411(R99)v3.5.0.pdf |

Release 4

| | | | | | |
|------|---------------------------|-------|-----------|--------|---|
| ATIS | T1.3GPP.25.411V410-2002 | 4.1.0 | Approved | May 02 | https://www.atis.org/docstore/default.aspx |
| CCSA | CCSA-TSD-TDD-25.411 | 4.1.0 | Published | Aug 01 | http://www.ccsa.org.cn/english/tc/files.php?docpath=/ITU-R/M.1457/M.1457-12/TDD |
| ETSI | ETSI TS 125 411 | 4.1.0 | Published | Aug 01 | http://www.etsi.org/deliver/etsi_ts/125400_125499/125411/04.01.00_60/ |
| TTC | TS-3GA-25.411(Rel4)v4.1.0 | 4.1.0 | Approved | Aug 01 | http://www.ttc.or.jp/j/document_list/free/TS/TS-3GA-25.411(Rel4)v4.1.0.pdf |

Release 5

| | | | | | |
|------|---------------------------|-------|-----------|--------|---|
| ATIS | ATIS.3GPP.25.411V510-2005 | 5.1.0 | Approved | Apr 05 | https://www.atis.org/docstore/default.aspx |
| CCSA | CCSA-TSD-TDD-25.411 | 5.1.0 | Published | Oct 04 | http://www.ccsa.org.cn/english/tc/files.php?docpath=/ITU-R/M.1457/M.1457-12/TDD |
| ETSI | ETSI TS 125 411 | 5.1.0 | Published | Oct 04 | http://www.etsi.org/deliver/etsi_ts/125400_125499/125411/05.01.00_60/ |
| TTC | TS-3GA-25.411(Rel5)v5.1.0 | 5.1.0 | Approved | Nov 04 | http://www.ttc.or.jp/j/document_list/free/TS/TS-3GA-25.411(Rel5)v5.1.0.pdf |

Release 6

| | | | | | |
|------|---------------------------|-------|-----------|--------|---|
| ATIS | ATIS.3GPP.25.411V610-2005 | 6.1.0 | Approved | Apr 05 | https://www.atis.org/docstore/default.aspx |
| CCSA | CCSA-TSD-TDD-25.411 | 6.1.0 | Published | Oct 04 | http://www.ccsa.org.cn/english/tc/files.php?docpath=/ITU-R/M.1457/M.1457-12/TDD |
| ETSI | ETSI TS 125 411 | 6.1.0 | Published | Oct 04 | http://www.etsi.org/deliver/etsi_ts/125400_125499/125411/06.01.00_60/ |
| TTC | TS-3GA-25.411(Rel6)v6.1.0 | 6.1.0 | Approved | Nov 04 | http://www.ttc.or.jp/j/document_list/free/TS/TS-3GA-25.411(Rel6)v6.1.0.pdf |

Release 7

| | | | | | |
|------|---------------------------|-------|-----------|--------|---|
| ATIS | ATIS.3GPP.25.411V710-2007 | 7.1.0 | Approved | Oct 07 | https://www.atis.org/docstore/default.aspx |
| CCSA | CCSA-TSD-TDD-25.411 | 7.1.0 | Published | Oct 07 | http://www.ccsa.org.cn/english/tc/files.php?docpath=/ITU-R/M.1457/M.1457-12/TDD |
| ETSI | ETSI TS 125 411 | 7.1.0 | Published | Oct 07 | http://www.etsi.org/deliver/etsi_ts/125400_125499/125411/07.01.00_60/ |
| TTC | TS-3GA-25.411(Rel7)v7.1.0 | 7.1.0 | Approved | Mar 08 | http://www.ttc.or.jp/j/document_list/free/TS/TS-3GA-25.411(Rel7)v7.1.0.pdf |

Release 8

| | | | | | |
|------|---------------------------|-------|-----------|--------|---|
| ATIS | ATIS.3GPP.25.411V800-2009 | 8.0.0 | Approved | Jul 09 | https://www.atis.org/docstore/default.aspx |
| CCSA | CCSA-TSD-TDD-25.411 | 8.0.0 | Published | Jan 09 | http://www.ccsa.org.cn/english/tc/files.php?docpath=/ITU-R/M.1457/M.1457-12/TDD |

| | | | | | |
|-------------------|-----------------------------|--------|-----------|--------|---|
| ETSI | ETSI TS 125 411 | 8.0.0 | Published | Jan 09 | http://www.etsi.org/deliver/etsi_ts/125400_125499/125411/08.00.00_60/ |
| TTC | TS-3GA-25.411(Rel8)v8.0.0 | 8.0.0 | Approved | Feb 09 | http://www.ttc.or.jp/j/document_list/free/3gpps2009/TS/TS-3GA-25.411(Rel8)v8.0.0.pdf |
| Release 9 | | | | | |
| ATIS | ATIS.3GPP.25.411V901-2012 | 9.0.1 | Approved | Jul 12 | https://www.atis.org/docstore/default.aspx |
| CCSA | CCSA-TSD-TDD-25.411 | 9.0.1 | Published | Jun 12 | http://www.ccsa.org.cn/english/tc/files.php?docpath=/ITU-R/M.1457/M.1457-12/TDD |
| ETSI | ETSI TS 125 411 | 9.0.1 | Published | Apr 11 | http://www.etsi.org/deliver/etsi_ts/125400_125499/125411/09.00.01_60/ |
| TTC | TS-3GA-25.411(Rel9)v9.0.0 | 9.0.0 | Approved | Jul 10 | http://www.ttc.or.jp/j/document_list/free/3gpps2010/TS/TS-3GA-25.411(Rel9)v9.0.0.pdf |
| Release 10 | | | | | |
| ATIS | ATIS.3GPP.25.411V1010-2012 | 10.1.0 | Approved | Jul 12 | https://www.atis.org/docstore/default.aspx |
| CCSA | CCSA-TSD-TDD-25.411 | 10.1.0 | Published | Jun 12 | http://www.ccsa.org.cn/english/tc/files.php?docpath=/ITU-R/M.1457/M.1457-12/TDD |
| ETSI | ETSI TS 125 411 | 10.1.0 | Published | Jul 11 | http://www.etsi.org/deliver/etsi_ts/125400_125499/125411/10.01.00_60/ |
| TTC | TS-3GA-25.411(Rel10)v10.1.0 | 10.1.0 | Approved | Aug 11 | http://www.ttc.or.jp/j/document_list/free/3gpps2011/TS/TS-3GA-25.411(Rel10)v10.1.0.pdf |
| Release 11 | | | | | |
| ATIS | ATIS.3GPP.25.411V1100-2014 | 11.0.0 | Approved | May 14 | https://www.atis.org/docstore/default.aspx |
| CCSA | CCSA-TSD-TDD-25.411 | 11.0.0 | Published | Jun 14 | http://www.ccsa.org.cn/english/tc/files.php?docpath=/ITU-R/M.1457/M.1457-12/TDD |
| ETSI | ETSI TS 125 411 | 11.0.0 | Published | Oct 12 | http://www.etsi.org/deliver/etsi_ts/125400_125499/125411/11.00.00_60/ |
| TTC | TS-3GA-25.411(Rel11)v11.0.0 | 11.0.0 | Approved | Jun 13 | http://www.ttc.or.jp/j/document_list/free/3gpps2013/TS/TS-3GA-25.411(Rel11)v11.0.0.pdf |

5.3.2.3.5 TS 25.412

UTRAN Iu interface signalling transport

This specification describes the standards for Signalling Transport to be used across Iu Interface.

| SDO (2) | Document No. | Version | Status | Issued date | Location (1) |
|-------------------|---------------------------|---------|-----------|-------------|---|
| Release 99 | | | | | |
| ATIS | T1.3GPP.25.412V360-2002 | 3.6.0 | Approved | May 02 | https://www.atis.org/docstore/default.aspx |
| CCSA | CCSA-TSD-TDD-25.412 | 3.6.0 | Published | Feb 01 | http://www.ccsa.org.cn/english/tc/files.php?docpath=/ITU-R/M.1457/M.1457-12/TDD |
| ETSI | ETSI TS 125 412 | 3.6.0 | Published | Feb 01 | http://www.etsi.org/deliver/etsi_ts/125400_125499/125412/03.06.00_60/ |
| TTC | JP-3GA-25.412(R99) | 3.6.0 | Approved | May 01 | http://www.ttc.or.jp/j/document_list/pdf/j/STD/JP-3GA-25.412(R99)v3.pdf |
| Release 4 | | | | | |
| ATIS | T1.3GPP.25.412V410-2003 | 4.1.0 | Approved | Mar 03 | https://www.atis.org/docstore/default.aspx |
| CCSA | CCSA-TSD-TDD-25.412 | 4.1.0 | Published | Oct 02 | http://www.ccsa.org.cn/english/tc/files.php?docpath=/ITU-R/M.1457/M.1457-12/TDD |
| ETSI | ETSI TS 125 412 | 4.1.0 | Published | Oct 02 | http://www.etsi.org/deliver/etsi_ts/125400_125499/125412/04.01.00_60/ |
| TTC | TS-3GA-25.412(Rel4)v4.1.0 | 4.1.0 | Approved | Nov 02 | http://www.ttc.or.jp/j/document_list/free/TS/TS-3GA-25.412(Rel4)v4.1.0.pdf |
| Release 5 | | | | | |
| ATIS | ATIS.3GPP.25.412V520-2005 | 5.2.0 | Approved | Apr 05 | https://www.atis.org/docstore/default.aspx |
| CCSA | CCSA-TSD-TDD-25.412 | 5.2.0 | Published | Jan 05 | http://www.ccsa.org.cn/english/tc/files.php?docpath=/ITU-R/M.1457/M.1457-12/TDD |
| ETSI | ETSI TS 125 412 | 5.2.0 | Published | Jan 05 | http://www.etsi.org/deliver/etsi_ts/125400_125499/125412/05.02.00_60/ |
| TTC | TS-3GA-25.412(Rel5)v5.2.0 | 5.2.0 | Approved | Mar 05 | http://www.ttc.or.jp/j/document_list/free/TS/TS-3GA-25.412(Rel5)v5.2.0.pdf |
| Release 6 | | | | | |
| ATIS | ATIS.3GPP.25.412V640-2007 | 6.4.0 | Approved | Oct 07 | https://www.atis.org/docstore/default.aspx |
| CCSA | CCSA-TSD-TDD-25.412 | 6.4.0 | Published | Jul 06 | http://www.ccsa.org.cn/english/tc/files.php?docpath=/ITU-R/M.1457/M.1457-12/TDD |
| ETSI | ETSI TS 125 412 | 6.4.0 | Published | Jul 06 | http://www.etsi.org/deliver/etsi_ts/125400_125499/125412/06.04.00_60/ |

| | | | | | |
|-------------------|-----------------------------|--------|-----------|--------|---|
| TTC | TS-3GA-25.412(Rel6)v6.4.0 | 6.4.0 | Approved | Mar 07 | http://www.ttc.or.jp/j/document_list/free/TS/TS-3GA-25.412(Rel6)v6.4.0.pdf |
| Release 7 | | | | | |
| ATIS | ATIS.3GPP.25.412V710-2007 | 7.1.0 | Approved | Oct 07 | https://www.atis.org/docstore/default.aspx |
| CCSA | CCSA-TSD-TDD-25.412 | 7.1.0 | Published | Jul 06 | http://www.ccsa.org.cn/english/tc/files.php?docpath=/ITU-R/M.1457/M.1457-12/TDD |
| ETSI | ETSI TS 125 412 | 7.1.0 | Published | Jul 06 | http://www.etsi.org/deliver/etsi_ts/125400_125499/125412/07.01.00_60/ |
| TTC | TS-3GA-25.412(Rel7)v7.1.0 | 7.1.0 | Approved | Mar 08 | http://www.ttc.or.jp/j/document_list/free/TS/TS-3GA-25.412(Rel7)v7.1.0.pdf |
| Release 8 | | | | | |
| ATIS | ATIS.3GPP.25.412V800-2009 | 8.0.0 | Approved | Jul 09 | https://www.atis.org/docstore/default.aspx |
| CCSA | CCSA-TSD-TDD-25.412 | 8.0.0 | Published | Jan 09 | http://www.ccsa.org.cn/english/tc/files.php?docpath=/ITU-R/M.1457/M.1457-12/TDD |
| ETSI | ETSI TS 125 412 | 8.0.0 | Published | Jan 09 | http://www.etsi.org/deliver/etsi_ts/125400_125499/125412/08.00.00_60/ |
| TTC | TS-3GA-25.412(Rel8)v8.0.0 | 8.0.0 | Approved | Feb 09 | http://www.ttc.or.jp/j/document_list/free/3gpps2009/TS/TS-3GA-25.412(Rel8)v8.0.0.pdf |
| Release 9 | | | | | |
| ATIS | ATIS.3GPP.25.412V901-2012 | 9.0.1 | Approved | Jul 12 | https://www.atis.org/docstore/default.aspx |
| CCSA | CCSA-TSD-TDD-25.412 | 9.0.1 | Published | Jun 12 | http://www.ccsa.org.cn/english/tc/files.php?docpath=/ITU-R/M.1457/M.1457-12/TDD |
| ETSI | ETSI TS 125 412 | 9.0.1 | Published | Apr 11 | http://www.etsi.org/deliver/etsi_ts/125400_125499/125412/09.00.01_60/ |
| TTC | TS-3GA-25.412(Rel9)v9.0.0 | 9.0.0 | Approved | Jul 10 | http://www.ttc.or.jp/j/document_list/free/3gpps2010/TS/TS-3GA-25.412(Rel9)v9.0.0.pdf |
| Release 10 | | | | | |
| ATIS | ATIS.3GPP.25.412V1010-2012 | 10.1.0 | Approved | Jul 12 | https://www.atis.org/docstore/default.aspx |
| CCSA | CCSA-TSD-TDD-25.412 | 10.1.0 | Published | Jun 12 | http://www.ccsa.org.cn/english/tc/files.php?docpath=/ITU-R/M.1457/M.1457-12/TDD |
| ETSI | ETSI TS 125 412 | 10.1.0 | Published | Jul 11 | http://www.etsi.org/deliver/etsi_ts/125400_125499/125412/10.01.00_60/ |
| TTC | TS-3GA-25.412(Rel10)v10.1.0 | 10.1.0 | Approved | Aug 11 | http://www.ttc.or.jp/j/document_list/free/3gpps2011/TS/TS-3GA-25.412(Rel10)v10.1.0.pdf |
| Release 11 | | | | | |
| ATIS | ATIS.3GPP.25.412V1100-2014 | 11.0.0 | Approved | May 14 | https://www.atis.org/docstore/default.aspx |
| CCSA | CCSA-TSD-TDD-25.412 | 11.6.0 | Published | Jun 14 | http://www.ccsa.org.cn/english/tc/files.php?docpath=/ITU-R/M.1457/M.1457-12/TDD |
| ETSI | ETSI TS 125 412 | 11.0.0 | Published | Oct 12 | http://www.etsi.org/deliver/etsi_ts/125400_125499/125412/11.00.00_60/ |
| TTC | TS-3GA-25.412(Rel11)v11.0.0 | 11.0.0 | Approved | Jun 13 | http://www.ttc.or.jp/j/document_list/free/3gpps2013/TS/TS-3GA-25.412(Rel11)v11.0.0.pdf |

5.3.2.3.6 TS 25.413

UTRAN Iu interface Radio Access Network Application Part (RANAP) signalling

This specification describes the signalling between the CN and the UTRAN over the Iu interface.

| SDO (2) | Document No. | Version | Status | Issued date | Location (1) |
|-------------------|----------------------------|---------|-----------|-------------|---|
| Release 99 | | | | | |
| ATIS | T1.3GPP.25.413V3140-2004 | 3.14.0 | Approved | May 04 | https://www.atis.org/docstore/default.aspx |
| CCSA | CCSA-TSD-TDD-25.413 | 3.14.0 | Published | Oct 03 | http://www.ccsa.org.cn/english/tc/files.php?docpath=/ITU-R/M.1457/M.1457-12/TDD |
| ETSI | ETSI TS 125 413 | 3.14.0 | Published | Oct 03 | http://www.etsi.org/deliver/etsi_ts/125400_125499/125413/03.14.00_60/ |
| TTC | TS-3GA-25.413(R99)v3.14.0 | 3.14.0 | Approved | Nov 03 | http://www.ttc.or.jp/j/document_list/free/TS/TS-3GA-25.413(R99)v3.14.0.pdf |
| TTC | TS-3GA-25.413(R99)v3.14.0 | 3.14.0 | Approved | Nov 03 | http://www.ttc.or.jp/j/document_list/free/TS/TS-3GA-25.413(R99)v3.14.0.pdf |
| Release 4 | | | | | |
| CCSA | CCSA-TSD-TDD-25.413 | 4.12.0 | Published | Apr 04 | http://www.ccsa.org.cn/english/tc/files.php?docpath=/ITU-R/M.1457/M.1457-12/TDD |
| ETSI | ETSI TS 125 413 | 4.12.0 | Published | Apr 04 | http://www.etsi.org/deliver/etsi_ts/125400_125499/125413/04.12.00_60/ |
| TTC | TS-3GA-25.413(Rel4)v4.12.0 | 4.12.0 | Approved | May 04 | http://www.ttc.or.jp/j/document_list/free/TS/TS-3GA-25.413(Rel4)v4.12.0.pdf |
| TTC | TS-3GA-25.413(Rel4)v4.12.0 | 4.12.0 | Approved | May 04 | http://www.ttc.or.jp/j/document_list/free/TS/TS-3GA-25.413(Rel4)v4.12.0.pdf |

Release 5

| | | | | | |
|------|----------------------------|--------|-----------|--------|---|
| ATIS | ATIS.3GPP.25.413V5120-2006 | 5.12.0 | Approved | Apr 06 | https://www.atis.org/docstore/default.aspx |
| CCSA | CCSA-TSD-TDD-25.413 | 5.12.0 | Published | Jul 05 | http://www.ccsa.org.cn/english/tc/files.php?docpath=/ITU-R/M.1457/M.1457-12/TDD |
| ETSI | ETSI TS 125 413 | 5.12.0 | Published | Jul 05 | http://www.etsi.org/deliver/etsi_ts/125400_125499/125413/05.12.00_60/ |
| TTC | TS-3GA-25.413(Rel5)v5.12.0 | 5.12.0 | Approved | Mar 08 | http://www.ttc.or.jp/j/document_list/free/TS/TS-3GA-25.413(Rel5)v5.12.0.pdf |
| TTC | TS-3GA-25.413(Rel5)v5.12.0 | 5.12.0 | Approved | Mar 08 | http://www.ttc.or.jp/j/document_list/free/TS/TS-3GA-25.413(Rel5)v5.12.0.pdf |

Release 6

| | | | | | |
|------|----------------------------|--------|-----------|--------|---|
| ATIS | ATIS.3GPP.25.413V6160-2008 | 6.16.0 | Approved | Oct 08 | https://www.atis.org/docstore/default.aspx |
| CCSA | CCSA-TSD-TDD-25.413 | 6.16.0 | Published | Jan 08 | http://www.ccsa.org.cn/english/tc/files.php?docpath=/ITU-R/M.1457/M.1457-12/TDD |
| ETSI | ETSI TS 125 413 | 6.16.0 | Published | Jan 08 | http://www.etsi.org/deliver/etsi_ts/125400_125499/125413/06.16.00_60/ |
| TTC | TS-3GA-25.413(Rel6)v6.16.0 | 6.16.0 | Approved | Feb 09 | http://www.ttc.or.jp/j/document_list/free/3gpps2009/TS/TS-3GA-25.413(Rel6)v6.16.0.pdf |
| TTC | TS-3GA-25.413(Rel6)v6.16.0 | 6.16.0 | Approved | Feb 09 | http://www.ttc.or.jp/j/document_list/free/3gpps2009/TS/TS-3GA-25.413(Rel6)v6.16.0.pdf |

Release 7

| | | | | | |
|------|----------------------------|--------|-----------|--------|---|
| ATIS | ATIS.3GPP.25.413V7100-2009 | 7.10.0 | Approved | Jul 09 | https://www.atis.org/docstore/default.aspx |
| CCSA | CCSA-TSD-TDD-25.413 | 7.10.0 | Published | Apr 09 | http://www.ccsa.org.cn/english/tc/files.php?docpath=/ITU-R/M.1457/M.1457-12/TDD |
| ETSI | ETSI TS 125 413 | 7.10.0 | Published | Apr 09 | http://www.etsi.org/deliver/etsi_ts/125400_125499/125413/07.10.00_60/ |
| TTC | TS-3GA-25.413(Rel7)v7.10.0 | 7.10.0 | Approved | Jul 09 | http://www.ttc.or.jp/j/document_list/free/3gpps2009/TS/TS-3GA-25.413(Rel7)v7.10.0.pdf |
| TTC | TS-3GA-25.413(Rel7)v7.10.0 | 7.10.0 | Approved | Jul 09 | http://www.ttc.or.jp/j/document_list/free/3gpps2009/TS/TS-3GA-25.413(Rel7)v7.10.0.pdf |

Release 8

| | | | | | |
|------|---------------------------|-------|-----------|--------|---|
| ATIS | ATIS.3GPP.25.413V880-2012 | 8.8.0 | Approved | Jul 12 | https://www.atis.org/docstore/default.aspx |
| CCSA | CCSA-TSD-TDD-25.413 | 8.8.0 | Published | Jun 12 | http://www.ccsa.org.cn/english/tc/files.php?docpath=/ITU-R/M.1457/M.1457-12/TDD |
| ETSI | ETSI TS 125 413 | 8.8.0 | Published | Jul 11 | http://www.etsi.org/deliver/etsi_ts/125400_125499/125413/08.08.00_60/ |
| TTC | TS-3GA-25.413(Rel8)v8.8.0 | 8.8.0 | Approved | Aug 11 | http://www.ttc.or.jp/j/document_list/free/3gpps2011/TS/TS-3GA-25.413(Rel8)v8.8.0.pdf |
| TTC | TS-3GA-25.413(Rel8)v8.8.0 | 8.8.0 | Approved | Aug 11 | http://www.ttc.or.jp/j/document_list/free/3gpps2011/TS/TS-3GA-25.413(Rel8)v8.8.0.pdf |

Release 9

| | | | | | |
|------|---------------------------|-------|-----------|--------|---|
| ATIS | ATIS.3GPP.25.413V990-2014 | 9.9.0 | Approved | May 14 | https://www.atis.org/docstore/default.aspx |
| CCSA | CCSA-TSD-TDD-25.413 | 9.8.0 | Published | Jun 12 | http://www.ccsa.org.cn/english/tc/files.php?docpath=/ITU-R/M.1457/M.1457-12/TDD |
| ETSI | ETSI TS 125 413 | 9.9.0 | Published | Oct 12 | http://www.etsi.org/deliver/etsi_ts/125400_125499/125413/09.09.00_60/ |
| TTC | TS-3GA-25.413(Rel9)v9.9.0 | 9.9.0 | Approved | Dec 12 | http://www.ttc.or.jp/jp/document_list/free/3gpps2012/TS/TS-3GA-25.413(Rel9)v9.9.0.pdf |
| TTC | TS-3GA-25.413(Rel9)v9.9.0 | 9.9.0 | Approved | Dec 12 | http://www.ttc.or.jp/jp/document_list/free/3gpps2012/TS/TS-3GA-25.413(Rel9)v9.9.0.pdf |

Release 10

| | | | | | |
|------|-----------------------------|--------|-----------|--------|---|
| ATIS | ATIS.3GPP.25.413V1090-2014 | 10.9.0 | Approved | May 14 | https://www.atis.org/docstore/default.aspx |
| CCSA | CCSA-TSD-TDD-25.413 | 10.4.0 | Published | Jun 12 | http://www.ccsa.org.cn/english/tc/files.php?docpath=/ITU-R/M.1457/M.1457-12/TDD |
| ETSI | ETSI TS 125 413 | 10.9.0 | Published | Apr 13 | http://www.etsi.org/deliver/etsi_ts/125400_125499/125413/10.09.00_60/ |
| TTC | TS-3GA-25.413(Rel10)v10.9.0 | 10.9.0 | Approved | Jun 13 | http://www.ttc.or.jp/jp/document_list/free/3gpps2013/TS/TS-3GA-25.413(Rel10)v10.9.0.pdf |
| TTC | TS-3GA-25.413(Rel10)v10.9.0 | 10.9.0 | Approved | Jun 13 | http://www.ttc.or.jp/jp/document_list/free/3gpps2013/TS/TS-3GA-25.413(Rel10)v10.9.0.pdf |

Release 11

| | | | | | |
|------|-----------------------------|--------|-----------|--------|---|
| ATIS | ATIS.3GPP.25.413V1130-2014 | 11.3.0 | Approved | May 14 | https://www.atis.org/docstore/default.aspx |
| CCSA | CCSA-TSD-TDD-25.413 | 11.0.0 | Published | Jun 14 | http://www.ccsa.org.cn/english/tc/files.php?docpath=/ITU-R/M.1457/M.1457-12/TDD |
| ETSI | ETSI TS 125 413 | 11.3.0 | Published | Apr 13 | http://www.etsi.org/deliver/etsi_ts/125400_125499/125413/11.03.00_60/ |
| TTC | TS-3GA-25.413(Rel11)v11.3.0 | 11.3.0 | Approved | Jun 13 | http://www.ttc.or.jp/jp/document_list/free/3gpps2013/TS/TS-3GA-25.413(Rel11)v11.3.0.pdf |
| TTC | TS-3GA-25.413(Rel11)v11.3.0 | 11.3.0 | Approved | Jun 13 | http://www.ttc.or.jp/jp/document_list/free/3gpps2013/TS/TS-3GA-25.413(Rel11)v11.3.0.pdf |

5.3.2.3.7 TS 25.414

UTRAN Iu interface data transport and transport signalling

This specification describes the standards for user data transport protocols and related signalling protocols to establish user plane transport bearers over the Iu interface.

| SDO (2) | Document No. | Version | Status | Issued date | Location (1) |
|-------------------|----------------------------|---------|-----------|-------------|---|
| Release 99 | | | | | |
| ATIS | T1.3GPP.25.414V3130-2004 | 3.13.0 | Approved | May 04 | https://www.atis.org/docstore/default.aspx |
| CCSA | CCSA-TSD-TDD-25.414 | 3.13.0 | Published | Apr 03 | http://www.ccsa.org.cn/english/tc/files.php?docpath=/ITU-R/M.1457/M.1457-12/TDD |
| ETSI | ETSI TS 125 414 | 3.13.0 | Published | Apr 03 | http://www.etsi.org/deliver/etsi_ts/125400_125499/125414/03.13.00_60/ |
| TTC | TS-3GA-25.414(R99)v3.13.0 | 3.13.0 | Approved | May 03 | http://www.ttc.or.jp/j/document_list/free/TS/TS-3GA-25.414(R99)v3.13.0.pdf |
| Release 4 | | | | | |
| ATIS | T1.3GPP.25.414V470-2004 | 4.7.0 | Approved | May 04 | https://www.atis.org/docstore/default.aspx |
| CCSA | CCSA-TSD-TDD-25.414 | 4.7.0 | Published | Jan 04 | http://www.ccsa.org.cn/english/tc/files.php?docpath=/ITU-R/M.1457/M.1457-12/TDD |
| ETSI | ETSI TS 125 414 | 4.7.0 | Published | Jan 04 | http://www.etsi.org/deliver/etsi_ts/125400_125499/125414/04.07.00_60/ |
| TTC | TS-3GA-25.414(Rel4)v4.7.0 | 4.7.0 | Approved | Feb 04 | http://www.ttc.or.jp/j/document_list/free/TS/TS-3GA-25.414(Rel4)v4.7.0.pdf |
| Release 5 | | | | | |
| ATIS | ATIS.3GPP.25.414V570-2005 | 5.7.0 | Approved | Apr 05 | https://www.atis.org/docstore/default.aspx |
| CCSA | CCSA-TSD-TDD-25.414 | 5.7.0 | Published | Oct 04 | http://www.ccsa.org.cn/english/tc/files.php?docpath=/ITU-R/M.1457/M.1457-12/TDD |
| ETSI | ETSI TS 125 414 | 5.7.0 | Published | Oct 04 | http://www.etsi.org/deliver/etsi_ts/125400_125499/125414/05.07.00_60/ |
| TTC | TS-3GA-25.414(Rel5)v5.7.0 | 5.7.0 | Approved | Nov 04 | http://www.ttc.or.jp/j/document_list/free/TS/TS-3GA-25.414(Rel5)v5.7.0.pdf |
| Release 6 | | | | | |
| ATIS | ATIS.3GPP.25.414V640-2007 | 6.4.0 | Approved | Oct 07 | https://www.atis.org/docstore/default.aspx |
| CCSA | CCSA-TSD-TDD-25.414 | 6.4.0 | Published | Oct 06 | http://www.ccsa.org.cn/english/tc/files.php?docpath=/ITU-R/M.1457/M.1457-12/TDD |
| ETSI | ETSI TS 125 414 | 6.4.0 | Published | Oct 06 | http://www.etsi.org/deliver/etsi_ts/125400_125499/125414/06.04.00_60/ |
| TTC | TS-3GA-25.414(Rel6)v6.4.0 | 6.4.0 | Approved | Mar 07 | http://www.ttc.or.jp/j/document_list/free/TS/TS-3GA-25.414(Rel6)v6.4.0.pdf |
| Release 7 | | | | | |
| ATIS | ATIS.3GPP.25.414V710-2007 | 7.1.0 | Approved | Oct 07 | https://www.atis.org/docstore/default.aspx |
| CCSA | CCSA-TSD-TDD-25.414 | 7.1.0 | Published | Oct 06 | http://www.ccsa.org.cn/english/tc/files.php?docpath=/ITU-R/M.1457/M.1457-12/TDD |
| ETSI | ETSI TS 125 414 | 7.1.0 | Published | Oct 06 | http://www.etsi.org/deliver/etsi_ts/125400_125499/125414/07.01.00_60/ |
| TTC | TS-3GA-25.414(Rel7)v7.1.0 | 7.1.0 | Approved | Mar 08 | http://www.ttc.or.jp/j/document_list/free/TS/TS-3GA-25.414(Rel7)v7.1.0.pdf |
| Release 8 | | | | | |
| ATIS | ATIS.3GPP.25.414V800-2009 | 8.0.0 | Approved | Jul 09 | https://www.atis.org/docstore/default.aspx |
| CCSA | CCSA-TSD-TDD-25.414 | 8.0.0 | Published | Jan 09 | http://www.ccsa.org.cn/english/tc/files.php?docpath=/ITU-R/M.1457/M.1457-12/TDD |
| ETSI | ETSI TS 125 414 | 8.0.0 | Published | Jan 09 | http://www.etsi.org/deliver/etsi_ts/125400_125499/125414/08.00.00_60/ |
| TTC | TS-3GA-25.414(Rel8)v8.0.0 | 8.0.0 | Approved | Feb 09 | http://www.ttc.or.jp/j/document_list/free/3gpps2009/TS/TS-3GA-25.414(Rel8)v8.0.0.pdf |
| Release 9 | | | | | |
| ATIS | ATIS.3GPP.25.414V901-2012 | 9.0.1 | Approved | Jul 12 | https://www.atis.org/docstore/default.aspx |
| CCSA | CCSA-TSD-TDD-25.414 | 9.0.1 | Published | Jun 12 | http://www.ccsa.org.cn/english/tc/files.php?docpath=/ITU-R/M.1457/M.1457-12/TDD |
| ETSI | ETSI TS 125 414 | 9.0.1 | Published | Apr 11 | http://www.etsi.org/deliver/etsi_ts/125400_125499/125414/09.00.01_60/ |
| TTC | TS-3GA-25.414(Rel9)v9.0.0 | 9.0.0 | Approved | Jul 10 | http://www.ttc.or.jp/j/document_list/free/3gpps2010/TS/TS-3GA-25.414(Rel9)v9.0.0.pdf |
| Release 10 | | | | | |
| ATIS | ATIS.3GPP.25.414V1010-2012 | 10.1.0 | Approved | Jul 12 | https://www.atis.org/docstore/default.aspx |

| | | | | | |
|-------------------|-----------------------------|--------|-----------|--------|---|
| CCSA | CCSA-TSD-TDD-25.414 | 10.1.0 | Published | Jun 12 | http://www.ccsa.org.cn/english/tc/files.php?docpath=/ITU-R/M.1457/M.1457-12/TDD |
| ETSI | ETSI TS 125 414 | 10.1.0 | Published | Jul 11 | http://www.etsi.org/deliver/etsi_ts/125400_125499/125414/10.01.00_60/ |
| TTC | TS-3GA-25.414(Rel10)v10.1.0 | 10.1.0 | Approved | Aug 11 | http://www.ttc.or.jp/j/document_list/free/3gpps2011/TS/TS-3GA-25.414(Rel10)v10.1.0.pdf |
| Release 11 | | | | | |
| ATIS | ATIS.3GPP.25.414V1100-2014 | 11.0.0 | Approved | May 14 | https://www.atis.org/docstore/default.aspx |
| CCSA | CCSA-TSD-TDD-25.414 | 11.0.0 | Published | Jun 14 | http://www.ccsa.org.cn/english/tc/files.php?docpath=/ITU-R/M.1457/M.1457-12/TDD |
| ETSI | ETSI TS 125 414 | 11.0.0 | Published | Oct 12 | http://www.etsi.org/deliver/etsi_ts/125400_125499/125414/11.00.00_60/ |
| TTC | TS-3GA-25.414(Rel11)v11.0.0 | 11.0.0 | Approved | Jun 13 | http://www.ttc.or.jp/j/document_list/free/3gpps2013/TS/TS-3GA-25.414(Rel11)v11.0.0.pdf |

5.3.2.3.8 TS 25.415

UTRAN Iu interface user plane protocols

This specification describes the protocols being used to transport and control over the Iu interface, the Iu user data streams.

| SDO (2) | Document No. | Version | Status | Issued date | Location (1) |
|-------------------|---------------------------|---------|-----------|-------------|---|
| Release 99 | | | | | |
| ATIS | T1.3GPP.25.415V3120-2003 | 3.12.0 | Approved | Mar 03 | https://www.atis.org/docstore/default.aspx |
| CCSA | CCSA-TSD-TDD-25.415 | 3.12.0 | Published | Oct 02 | http://www.ccsa.org.cn/english/tc/files.php?docpath=/ITU-R/M.1457/M.1457-12/TDD |
| ETSI | ETSI TS 125 415 | 3.12.0 | Published | Oct 02 | http://www.etsi.org/deliver/etsi_ts/125400_125499/125415/03.12.00_60/ |
| TTC | TS-3GA-25.415(R99)v3.12.0 | 3.12.0 | Approved | Nov 02 | http://www.ttc.or.jp/j/document_list/free/TS/TS-3GA-25.415(R99)v3.12.0.pdf |
| Release 4 | | | | | |
| ATIS | T1.3GPP.25.415V470-2003 | 4.7.0 | Approved | Mar 03 | https://www.atis.org/docstore/default.aspx |
| CCSA | CCSA-TSD-TDD-25.415 | 4.7.0 | Published | Jan 03 | http://www.ccsa.org.cn/english/tc/files.php?docpath=/ITU-R/M.1457/M.1457-12/TDD |
| ETSI | ETSI TS 125 415 | 4.7.0 | Published | Jan 03 | http://www.etsi.org/deliver/etsi_ts/125400_125499/125415/04.07.00_60/ |
| TTC | TS-3GA-25.415(Rel4)v4.7.0 | 4.7.0 | Approved | Feb 03 | http://www.ttc.or.jp/j/document_list/free/TS/TS-3GA-25.415(Rel4)v4.7.0.pdf |
| Release 5 | | | | | |
| ATIS | ATIS.3GPP.25.415V550-2006 | 5.5.0 | Approved | Apr 06 | https://www.atis.org/docstore/default.aspx |
| CCSA | CCSA-TSD-TDD-25.415 | 5.5.0 | Published | Apr 05 | http://www.ccsa.org.cn/english/tc/files.php?docpath=/ITU-R/M.1457/M.1457-12/TDD |
| ETSI | ETSI TS 125 415 | 5.5.0 | Published | Apr 05 | http://www.etsi.org/deliver/etsi_ts/125400_125499/125415/05.05.00_60/ |
| TTC | TS-3GA-25.415(Rel5)v5.5.0 | 5.5.0 | Approved | May 05 | http://www.ttc.or.jp/j/document_list/free/TS/TS-3GA-25.415(Rel5)v5.5.0.pdf |
| Release 6 | | | | | |
| ATIS | ATIS.3GPP.25.415V630-2007 | 6.3.0 | Approved | Oct 07 | https://www.atis.org/docstore/default.aspx |
| CCSA | CCSA-TSD-TDD-25.415 | 6.3.0 | Published | Jul 06 | http://www.ccsa.org.cn/english/tc/files.php?docpath=/ITU-R/M.1457/M.1457-12/TDD |
| ETSI | ETSI TS 125 415 | 6.3.0 | Published | Jul 06 | http://www.etsi.org/deliver/etsi_ts/125400_125499/125415/06.03.00_60/ |
| TTC | TS-3GA-25.415(Rel6)v6.3.0 | 6.3.0 | Approved | Mar 07 | http://www.ttc.or.jp/j/document_list/free/TS/TS-3GA-25.415(Rel6)v6.3.0.pdf |
| Release 7 | | | | | |
| ATIS | ATIS.3GPP.25.415V730-2007 | 7.3.0 | Approved | Oct 07 | https://www.atis.org/docstore/default.aspx |
| CCSA | CCSA-TSD-TDD-25.415 | 7.3.0 | Published | Jan 07 | http://www.ccsa.org.cn/english/tc/files.php?docpath=/ITU-R/M.1457/M.1457-12/TDD |
| ETSI | ETSI TS 125 415 | 7.3.0 | Published | Jan 07 | http://www.etsi.org/deliver/etsi_ts/125400_125499/125415/07.03.00_60/ |
| TTC | TS-3GA-25.415(Rel7)v7.3.0 | 7.3.0 | Approved | Mar 08 | http://www.ttc.or.jp/j/document_list/free/TS/TS-3GA-25.415(Rel7)v7.3.0.pdf |
| Release 8 | | | | | |
| ATIS | ATIS.3GPP.25.415V800-2009 | 8.0.0 | Approved | Jul 09 | https://www.atis.org/docstore/default.aspx |

| | | | | | |
|-------------------|-----------------------------|--------|-----------|--------|---|
| CCSA | CCSA-TSD-TDD-25.415 | 8.0.0 | Published | Jan 09 | http://www.ccsa.org.cn/english/tc/files.php?docpath=/ITU-R/M.1457/M.1457-12/TDD |
| ETSI | ETSI TS 125 415 | 8.0.0 | Published | Jan 09 | http://www.etsi.org/deliver/etsi_ts/125400_125499/125415/08.00.00_60/ |
| TTC | TS-3GA-25.415(Rel8)v8.0.0 | 8.0.0 | Approved | Feb 09 | http://www.ttc.or.jp/j/document_list/free/3gpps2009/TS/TS-3GA-25.415(Rel8)v8.0.0.pdf |
| Release 9 | | | | | |
| ATIS | ATIS.3GPP.25.415V901-2012 | 9.0.1 | Approved | Jul 12 | https://www.atis.org/docstore/default.aspx |
| CCSA | CCSA-TSD-TDD-25.415 | 9.0.1 | Published | Jun 12 | http://www.ccsa.org.cn/english/tc/files.php?docpath=/ITU-R/M.1457/M.1457-12/TDD |
| ETSI | ETSI TS 125 415 | 9.0.1 | Published | Apr 11 | http://www.etsi.org/deliver/etsi_ts/125400_125499/125415/09.00.01_60/ |
| TTC | TS-3GA-25.415(Rel9)v9.0.0 | 9.0.0 | Approved | Jul 10 | http://www.ttc.or.jp/j/document_list/free/3gpps2010/TS/TS-3GA-25.415(Rel9)v9.0.0.pdf |
| Release 10 | | | | | |
| ATIS | ATIS.3GPP.25.415V1010-2012 | 10.1.0 | Approved | Jul 12 | https://www.atis.org/docstore/default.aspx |
| CCSA | CCSA-TSD-TDD-25.415 | 10.1.0 | Published | Jun 12 | http://www.ccsa.org.cn/english/tc/files.php?docpath=/ITU-R/M.1457/M.1457-12/TDD |
| ETSI | ETSI TS 125 415 | 10.1.0 | Published | Jul 11 | http://www.etsi.org/deliver/etsi_ts/125400_125499/125415/10.01.00_60/ |
| TTC | TS-3GA-25.415(Rel10)v10.1.0 | 10.1.0 | Approved | Aug 11 | http://www.ttc.or.jp/j/document_list/free/3gpps2011/TS/TS-3GA-25.415(Rel10)v10.1.0.pdf |
| Release 11 | | | | | |
| ATIS | ATIS.3GPP.25.415V1100-2014 | 11.0.0 | Approved | May 14 | https://www.atis.org/docstore/default.aspx |
| CCSA | CCSA-TSD-TDD-25.415 | 11.0.0 | Published | Jun 14 | http://www.ccsa.org.cn/english/tc/files.php?docpath=/ITU-R/M.1457/M.1457-12/TDD |
| ETSI | ETSI TS 125 415 | 11.0.0 | Published | Oct 12 | http://www.etsi.org/deliver/etsi_ts/125400_125499/125415/11.00.00_60/ |
| TTC | TS-3GA-25.415(Rel11)v11.0.0 | 11.0.0 | Approved | Jun 13 | http://www.ttc.or.jp/j/document_list/free/3gpps2013/TS/TS-3GA-25.415(Rel11)v11.0.0.pdf |

5.3.2.3.9 TS 25.419

UTRAN Iu-BC interface: Service Area Broadcast Protocol (SABP)

This document specifies the Service Area Broadcast Protocol (SABP) between the Cell Broadcast Centre (CBC) and the Radio Network Controller (RNC).

| SDO (2) | Document No. | Version | Status | Issued date | Location (1) |
|-------------------|----------------------------|---------|-----------|-------------|---|
| Release 99 | | | | | |
| ATIS | T1.3GPP.25.419V3110-2004 | 3.11.0 | Approved | May 04 | https://www.atis.org/docstore/default.aspx |
| CCSA | CCSA-TSD-TDD-25.419 | 3.11.0 | Published | Jun 03 | http://www.ccsa.org.cn/english/tc/files.php?docpath=/ITU-R/M.1457/M.1457-12/TDD |
| ETSI | ETSI TS 125 419 | 3.11.0 | Published | Jun 03 | http://www.etsi.org/deliver/etsi_ts/125400_125499/125419/03.11.00_60/ |
| TTC | TS-3GA-25.419(R99)v3.11.0 | 3.11.0 | Approved | Aug 03 | http://www.ttc.or.jp/j/document_list/free/TS/TS-3GA-25.419(R99)v3.11.0.pdf |
| Release 4 | | | | | |
| ATIS | T1.3GPP.25.419V4100-2004 | 4.10.0 | Approved | May 04 | https://www.atis.org/docstore/default.aspx |
| CCSA | CCSA-TSD-TDD-25.419 | 4.10.0 | Published | Jan 04 | http://www.ccsa.org.cn/english/tc/files.php?docpath=/ITU-R/M.1457/M.1457-12/TDD |
| ETSI | ETSI TS 125 419 | 4.10.0 | Published | Jan 04 | http://www.etsi.org/deliver/etsi_ts/125400_125499/125419/04.10.00_60/ |
| TTC | TS-3GA-25.419(Rel4)v4.10.0 | 4.10.0 | Approved | Feb 04 | http://www.ttc.or.jp/j/document_list/free/TS/TS-3GA-25.419(Rel4)v4.10.0.pdf |
| Release 5 | | | | | |
| ATIS | ATIS.3GPP.25.419V570-2005 | 5.7.0 | Approved | Apr 05 | https://www.atis.org/docstore/default.aspx |
| CCSA | CCSA-TSD-TDD-25.419 | 5.7.0 | Published | Apr 04 | http://www.ccsa.org.cn/english/tc/files.php?docpath=/ITU-R/M.1457/M.1457-12/TDD |
| ETSI | ETSI TS 125 419 | 5.7.0 | Published | Apr 04 | http://www.etsi.org/deliver/etsi_ts/125400_125499/125419/05.07.00_60/ |
| TTC | TS-3GA-25.419(Rel5)v5.7.0 | 5.7.0 | Approved | May 04 | http://www.ttc.or.jp/j/document_list/free/TS/TS-3GA-25.419(Rel5)v5.7.0.pdf |
| Release 6 | | | | | |
| ATIS | ATIS.3GPP.25.419V620-2005 | 6.2.0 | Approved | Apr 05 | https://www.atis.org/docstore/default.aspx |
| CCSA | CCSA-TSD-TDD-25.419 | 6.2.0 | Published | Jan 05 | http://www.ccsa.org.cn/english/tc/files.php?docpath=/ITU-R/M.1457/M.1457-12/TDD |
| ETSI | ETSI TS 125 419 | 6.2.0 | Published | Jan 05 | http://www.etsi.org/deliver/etsi_ts/125400_125499/125419/06.02.00_60/ |

| | | | | | |
|-------------------|-----------------------------|--------|-----------|--------|---|
| TTC | TS-3GA-25.419(Rel6)v6.2.0 | 6.2.0 | Approved | Mar 05 | http://www.ttc.or.jp/j/document_list/free/TS/TS-3GA-25.419(Rel6)v6.2.0.pdf |
| Release 7 | | | | | |
| ATIS | ATIS.3GPP.25.419V700-2007 | 7.0.0 | Approved | Oct 07 | https://www.atis.org/docstore/default.aspx |
| CCSA | CCSA-TSD-TDD-25.419 | 7.0.0 | Published | May 06 | http://www.ccsa.org.cn/english/tc/files.php?docpath=/ITU-R/M.1457/M.1457-12/TDD |
| ETSI | ETSI TS 125 419 | 7.0.0 | Published | May 06 | http://www.etsi.org/deliver/etsi_ts/125400_125499/125419/07.00.00_60/ |
| TTC | TS-3GA-25.419(Rel7)v7.0.0 | 7.0.0 | Approved | Mar 08 | http://www.ttc.or.jp/j/document_list/free/TS/TS-3GA-25.419(Rel7)v7.0.0.pdf |
| Release 8 | | | | | |
| ATIS | ATIS.3GPP.25.419V820-2012 | 8.2.0 | Approved | Jul 12 | https://www.atis.org/docstore/default.aspx |
| CCSA | CCSA-TSD-TDD-25.419 | 8.2.0 | Published | Jun 12 | http://www.ccsa.org.cn/english/tc/files.php?docpath=/ITU-R/M.1457/M.1457-12/TDD |
| ETSI | ETSI TS 125 419 | 8.2.0 | Published | Oct 11 | http://www.etsi.org/deliver/etsi_ts/125400_125499/125419/08.02.00_60/ |
| TTC | TS-3GA-25.419(Rel8)v8.2.0 | 8.2.0 | Approved | Dec 11 | http://www.ttc.or.jp/j/document_list/free/3gpps2011/TS/TS-3GA-25.419(Rel8)v8.2.0.pdf |
| Release 9 | | | | | |
| ATIS | ATIS.3GPP.25.419V910-2012 | 9.1.0 | Approved | Jul 12 | https://www.atis.org/docstore/default.aspx |
| CCSA | CCSA-TSD-TDD-25.419 | 9.1.0 | Published | Jun 12 | http://www.ccsa.org.cn/english/tc/files.php?docpath=/ITU-R/M.1457/M.1457-12/TDD |
| ETSI | ETSI TS 125 419 | 9.1.0 | Published | Oct 11 | http://www.etsi.org/deliver/etsi_ts/125400_125499/125419/09.01.00_60/ |
| TTC | TS-3GA-25.419(Rel9)v9.1.0 | 9.1.0 | Approved | Dec 11 | http://www.ttc.or.jp/j/document_list/free/3gpps2011/TS/TS-3GA-25.419(Rel9)v9.1.0.pdf |
| Release 10 | | | | | |
| ATIS | ATIS.3GPP.25.419V1020-2012 | 10.2.0 | Approved | Jul 12 | https://www.atis.org/docstore/default.aspx |
| CCSA | CCSA-TSD-TDD-25.419 | 10.2.0 | Published | Jun 12 | http://www.ccsa.org.cn/english/tc/files.php?docpath=/ITU-R/M.1457/M.1457-12/TDD |
| ETSI | ETSI TS 125 419 | 10.2.0 | Published | Apr 12 | http://www.etsi.org/deliver/etsi_ts/125400_125499/125419/10.02.00_60/ |
| TTC | TS-3GA-25.419(Rel10)v10.2.0 | 10.2.0 | Approved | Dec 11 | http://www.ttc.or.jp/j/document_list/free/3gpps2011/TS/TS-3GA-25.419(Rel10)v10.2.0.pdf |
| Release 11 | | | | | |
| ATIS | ATIS.3GPP.25.419V1110-2014 | 11.1.0 | Approved | May 14 | https://www.atis.org/docstore/default.aspx |
| CCSA | CCSA-TSD-TDD-25.419 | 11.1.0 | Published | Jun 14 | http://www.ccsa.org.cn/english/tc/files.php?docpath=/ITU-R/M.1457/M.1457-12/TDD |
| ETSI | ETSI TS 125 419 | 11.1.0 | Published | Apr 13 | http://www.etsi.org/deliver/etsi_ts/125400_125499/125419/11.01.00_60/ |
| TTC | TS-3GA-25.419(Rel11)v11.1.0 | 11.1.0 | Approved | Jun 13 | http://www.ttc.or.jp/j/document_list/free/3gpps2013/TS/TS-3GA-25.419(Rel11)v11.1.0.pdf |

5.3.2.3.10 TS 25.420

UTRAN Iur interface general aspects and principles

This specification describes an introduction to the TSG RAN TS 25.42x series of technical specifications that define the Iur interface. It is a logical interface for the interconnection of two RNC components of the UTRAN.

| SDO (2) | Document No. | Version | Status | Issued date | Location (1) |
|-------------------|-------------------------|---------|-----------|-------------|---|
| Release 99 | | | | | |
| ARIB | ARIB STD-T63-25.420 | 3.5.0 | Approved | Jul 13 | http://www.arib.or.jp/english/html/overview/doc/STD-T63v10_00/2_T63/ARIB-STD-T63/R99/25/A25420-350.pdf |
| ATIS | T1.3GPP.25.420V350-2002 | 3.5.0 | Approved | May 02 | https://www.atis.org/docstore/default.aspx |
| CCSA | CCSA-TSD-TDD-25.420 | 3.5.0 | Published | Apr 02 | http://www.ccsa.org.cn/english/tc/files.php?docpath=/ITU-R/M.1457/M.1457-12/TDD |
| ETSI | ETSI TS 125 420 | 3.5.0 | Published | Apr 02 | http://www.etsi.org/deliver/etsi_ts/125400_125499/125420/03.05.00_60/ |
| Release 4 | | | | | |
| ARIB | ARIB STD-T63-25.420 | 4.2.0 | Approved | Jul 13 | http://www.arib.or.jp/english/html/overview/doc/STD-T63v10_00/2_T63/ARIB-STD-T63/Rel4/25/A25420-420.pdf |
| ATIS | T1.3GPP.25.420V420-2002 | 4.2.0 | Approved | May 02 | https://www.atis.org/docstore/default.aspx |
| CCSA | CCSA-TSD-TDD-25.420 | 4.2.0 | Published | Apr 02 | http://www.ccsa.org.cn/english/tc/files.php?docpath=/ITU-R/M.1457/M.1457-12/TDD |

| | | | | | |
|-------------------|----------------------------|--------|-----------|--------|---|
| ETSI | ETSI TS 125 420 | 4.2.0 | Published | Apr 02 | http://www.etsi.org/deliver/etsi_ts/125400_125499/125420/04.02.00_60/ |
| Release 5 | | | | | |
| ARIB | ARIB STD-T63-25.420 | 5.3.0 | Approved | Jul 13 | http://www.arib.or.jp/english/html/overview/doc/STD-T63v10_00/2_T63/ARIB-STD-T63/Rel5/25/A25420-530.pdf |
| ATIS | ATIS.3GPP.25.420V530-2006 | 5.3.0 | Approved | Apr 06 | https://www.atis.org/docstore/default.aspx |
| CCSA | CCSA-TSD-TDD-25.420 | 5.3.0 | Published | Jul 05 | http://www.ccsa.org.cn/english/tc/files.php?docpath=/ITU-R/M.1457/M.1457-12/TDD |
| ETSI | ETSI TS 125 420 | 5.3.0 | Published | Jul 05 | http://www.etsi.org/deliver/etsi_ts/125400_125499/125420/05.03.00_60/ |
| Release 6 | | | | | |
| ARIB | ARIB STD-T63-25.420 | 6.4.0 | Approved | Jul 13 | http://www.arib.or.jp/english/html/overview/doc/STD-T63v10_00/2_T63/ARIB-STD-T63/Rel6/25/A25420-640.pdf |
| ATIS | ATIS.3GPP.25.420V640-2006 | 6.4.0 | Approved | Apr 06 | https://www.atis.org/docstore/default.aspx |
| CCSA | CCSA-TSD-TDD-25.420 | 6.4.0 | Published | Jul 05 | http://www.ccsa.org.cn/english/tc/files.php?docpath=/ITU-R/M.1457/M.1457-12/TDD |
| ETSI | ETSI TS 125 420 | 6.4.0 | Published | Jul 05 | http://www.etsi.org/deliver/etsi_ts/125400_125499/125420/06.04.00_60/ |
| Release 7 | | | | | |
| ARIB | ARIB STD-T63-25.420 | 7.3.0 | Approved | Jul 13 | http://www.arib.or.jp/english/html/overview/doc/STD-T63v10_00/2_T63/ARIB-STD-T63/Rel7/25/A25420-730.pdf |
| ATIS | ATIS.3GPP.25.420V730-2007 | 7.3.0 | Approved | Oct 07 | https://www.atis.org/docstore/default.aspx |
| CCSA | CCSA-TSD-TDD-25.420 | 7.3.0 | Published | Mar 07 | http://www.ccsa.org.cn/english/tc/files.php?docpath=/ITU-R/M.1457/M.1457-12/TDD |
| ETSI | ETSI TS 125 420 | 7.3.0 | Published | Mar 07 | http://www.etsi.org/deliver/etsi_ts/125400_125499/125420/07.03.00_60/ |
| Release 8 | | | | | |
| ARIB | ARIB STD-T63-25.420 | 8.1.0 | Approved | Jul 13 | http://www.arib.or.jp/english/html/overview/doc/STD-T63v10_00/2_T63/ARIB-STD-T63/Rel8/25/A25420-810.pdf |
| ATIS | ATIS.3GPP.25.420V810-2009 | 8.1.0 | Approved | Jul 09 | https://www.atis.org/docstore/default.aspx |
| CCSA | CCSA-TSD-TDD-25.420 | 8.1.0 | Published | Apr 09 | http://www.ccsa.org.cn/english/tc/files.php?docpath=/ITU-R/M.1457/M.1457-12/TDD |
| ETSI | ETSI TS 125 420 | 8.1.0 | Published | Apr 09 | http://www.etsi.org/deliver/etsi_ts/125400_125499/125420/08.01.00_60/ |
| Release 9 | | | | | |
| ARIB | ARIB STD-T63-25.420 | 9.1.1 | Approved | Jul 13 | http://www.arib.or.jp/english/html/overview/doc/STD-T63v10_00/2_T63/ARIB-STD-T63/Rel9/25/A25420-911.pdf |
| ATIS | ATIS.3GPP.25.420V911-2012 | 9.1.1 | Approved | Jul 12 | https://www.atis.org/docstore/default.aspx |
| CCSA | CCSA-TSD-TDD-25.420 | 9.1.1 | Published | Jun 12 | http://www.ccsa.org.cn/english/tc/files.php?docpath=/ITU-R/M.1457/M.1457-12/TDD |
| ETSI | ETSI TS 125 420 | 9.1.1 | Published | Apr 11 | http://www.etsi.org/deliver/etsi_ts/125400_125499/125420/09.01.01_60/ |
| Release 10 | | | | | |
| ARIB | ARIB STD-T63-25.420 | 10.1.0 | Approved | Jul 13 | http://www.arib.or.jp/english/html/overview/doc/STD-T63v10_00/2_T63/ARIB-STD-T63/Rel10/25/A25420-a10.pdf |
| ATIS | ATIS.3GPP.25.420V1010-2012 | 10.1.0 | Approved | Jul 12 | https://www.atis.org/docstore/default.aspx |
| CCSA | CCSA-TSD-TDD-25.420 | 10.1.0 | Published | Jun 12 | http://www.ccsa.org.cn/english/tc/files.php?docpath=/ITU-R/M.1457/M.1457-12/TDD |
| ETSI | ETSI TS 125 420 | 10.1.0 | Published | Jul 11 | http://www.etsi.org/deliver/etsi_ts/125400_125499/125420/10.01.00_60/ |
| Release 11 | | | | | |
| ARIB | ARIB STD-T63-25.420 | 11.0.0 | Approved | Jul 13 | http://www.arib.or.jp/english/html/overview/doc/STD-T63v10_00/2_T63/ARIB-STD-T63/Rel11/25/A25420-b00.pdf |
| ATIS | ATIS.3GPP.25.420V1100-2014 | 11.0.0 | Approved | May 14 | https://www.atis.org/docstore/default.aspx |
| CCSA | CCSA-TSD-TDD-25.420 | 11.0.0 | Published | Jun 14 | http://www.ccsa.org.cn/english/tc/files.php?docpath=/ITU-R/M.1457/M.1457-12/TDD |
| ETSI | ETSI TS 125 420 | 11.0.0 | Published | Oct 12 | http://www.etsi.org/deliver/etsi_ts/125400_125499/125420/11.00.00_60/ |

5.3.2.3.11 TS 25.421

UTRAN Iur interface layer 1

This specification describes the standards allowed to implement Layer 1 on the Iur interface. The specification of transmission delay requirements and O&M requirements are not in the scope of this specification.

| SDO (2) | Document No. | Version | Status | Issued date | Location (1) |
|-------------------|----------------------------|---------|-----------|-------------|---|
| Release 99 | | | | | |
| ARIB | ARIB STD-T63-25.421 | 3.1.0 | Approved | Jul 13 | http://www.arib.or.jp/english/html/overview/doc/STD-T63v10_00/2_T63/ARIB-STD-T63/R99/25/A25421-310.pdf |
| ATIS | T1.3GPP.25.421V310-2002 | 3.1.0 | Approved | May 02 | https://www.atis.org/docstore/default.aspx |
| CCSA | CCSA-TSD-TDD-25.421 | 3.1.0 | Published | Apr 01 | http://www.ccsa.org.cn/english/tc/files.php?docpath=/ITU-R/M.1457/M.1457-12/TDD |
| ETSI | ETSI TS 125 421 | 3.1.0 | Published | Apr 01 | http://www.etsi.org/deliver/etsi_ts/125400_125499/125421/03.01.00_60/ |
| Release 4 | | | | | |
| ARIB | ARIB STD-T63-25.421 | 4.0.0 | Approved | Jul 13 | http://www.arib.or.jp/english/html/overview/doc/STD-T63v10_00/2_T63/ARIB-STD-T63/Rel4/25/A25421-400.pdf |
| ATIS | T1.3GPP.25.421V400-2002 | 4.0.0 | Approved | May 02 | https://www.atis.org/docstore/default.aspx |
| CCSA | CCSA-TSD-TDD-25.421 | 4.0.0 | Published | Apr 01 | http://www.ccsa.org.cn/english/tc/files.php?docpath=/ITU-R/M.1457/M.1457-12/TDD |
| ETSI | ETSI TS 125 421 | 4.0.0 | Published | Apr 01 | http://www.etsi.org/deliver/etsi_ts/125400_125499/125421/04.00.00_60/ |
| Release 5 | | | | | |
| ARIB | ARIB STD-T63-25.421 | 5.0.0 | Approved | Jul 13 | http://www.arib.or.jp/english/html/overview/doc/STD-T63v10_00/2_T63/ARIB-STD-T63/Rel5/25/A25421-500.pdf |
| ATIS | T1.3GPP.25.421V500-2002 | 5.0.0 | Approved | May 02 | https://www.atis.org/docstore/default.aspx |
| CCSA | CCSA-TSD-TDD-25.421 | 5.0.0 | Published | Apr 02 | http://www.ccsa.org.cn/english/tc/files.php?docpath=/ITU-R/M.1457/M.1457-12/TDD |
| ETSI | ETSI TS 125 421 | 5.0.0 | Published | Apr 02 | http://www.etsi.org/deliver/etsi_ts/125400_125499/125421/05.00.00_60/ |
| Release 6 | | | | | |
| ARIB | ARIB STD-T63-25.421 | 6.0.0 | Approved | Jul 13 | http://www.arib.or.jp/english/html/overview/doc/STD-T63v10_00/2_T63/ARIB-STD-T63/Rel6/25/A25421-600.pdf |
| ATIS | T1.3GPP.25.421V600-2004 | 6.0.0 | Approved | May 04 | https://www.atis.org/docstore/default.aspx |
| CCSA | CCSA-TSD-TDD-25.421 | 6.0.0 | Published | Jan 04 | http://www.ccsa.org.cn/english/tc/files.php?docpath=/ITU-R/M.1457/M.1457-12/TDD |
| ETSI | ETSI TS 125 421 | 6.0.0 | Published | Jan 04 | http://www.etsi.org/deliver/etsi_ts/125400_125499/125421/06.00.00_60/ |
| Release 7 | | | | | |
| ARIB | ARIB STD-T63-25.421 | 7.0.0 | Approved | Jul 13 | http://www.arib.or.jp/english/html/overview/doc/STD-T63v10_00/2_T63/ARIB-STD-T63/Rel7/25/A25421-700.pdf |
| ATIS | ATIS.3GPP.25.421V700-2007 | 7.0.0 | Approved | Oct 07 | https://www.atis.org/docstore/default.aspx |
| CCSA | CCSA-TSD-TDD-25.421 | 7.0.0 | Published | May 06 | http://www.ccsa.org.cn/english/tc/files.php?docpath=/ITU-R/M.1457/M.1457-12/TDD |
| ETSI | ETSI TS 125 421 | 7.0.0 | Published | May 06 | http://www.etsi.org/deliver/etsi_ts/125400_125499/125421/07.00.00_60/ |
| Release 8 | | | | | |
| ARIB | ARIB STD-T63-25.421 | 8.0.0 | Approved | Jul 13 | http://www.arib.or.jp/english/html/overview/doc/STD-T63v10_00/2_T63/ARIB-STD-T63/Rel8/25/A25421-800.pdf |
| ATIS | ATIS.3GPP.25.421V800-2009 | 8.0.0 | Approved | Jul 09 | https://www.atis.org/docstore/default.aspx |
| CCSA | CCSA-TSD-TDD-25.421 | 8.0.0 | Published | Jan 09 | http://www.ccsa.org.cn/english/tc/files.php?docpath=/ITU-R/M.1457/M.1457-12/TDD |
| ETSI | ETSI TS 125 421 | 8.0.0 | Published | Jan 09 | http://www.etsi.org/deliver/etsi_ts/125400_125499/125421/08.00.00_60/ |
| Release 9 | | | | | |
| ARIB | ARIB STD-T63-25.421 | 9.0.1 | Approved | Jul 13 | http://www.arib.or.jp/english/html/overview/doc/STD-T63v10_00/2_T63/ARIB-STD-T63/Rel9/25/A25421-901.pdf |
| ATIS | ATIS.3GPP.25.421V901-2012 | 9.0.1 | Approved | Jul 12 | https://www.atis.org/docstore/default.aspx |
| CCSA | CCSA-TSD-TDD-25.421 | 9.0.1 | Published | Jun 12 | http://www.ccsa.org.cn/english/tc/files.php?docpath=/ITU-R/M.1457/M.1457-12/TDD |
| ETSI | ETSI TS 125 421 | 9.0.1 | Published | May 11 | http://www.etsi.org/deliver/etsi_ts/125400_125499/125421/09.00.01_60/ |
| Release 10 | | | | | |
| ARIB | ARIB STD-T63-25.421 | 10.1.0 | Approved | Jul 13 | http://www.arib.or.jp/english/html/overview/doc/STD-T63v10_00/2_T63/ARIB-STD-T63/Rel10/25/A25421-a10.pdf |
| ATIS | ATIS.3GPP.25.421V1010-2012 | 10.1.0 | Approved | Jul 12 | https://www.atis.org/docstore/default.aspx |
| CCSA | CCSA-TSD-TDD-25.421 | 10.1.0 | Published | Jun 12 | http://www.ccsa.org.cn/english/tc/files.php?docpath=/ITU-R/M.1457/M.1457-12/TDD |
| ETSI | ETSI TS 125 421 | 10.1.0 | Published | Jul 11 | http://www.etsi.org/deliver/etsi_ts/125400_125499/125421/10.01.00_60/ |
| Release 11 | | | | | |
| ARIB | ARIB STD-T63-25.421 | 11.0.0 | Approved | Jul 13 | http://www.arib.or.jp/english/html/overview/doc/STD-T63v10_00/2_T63/ARIB-STD-T63/Rel11/25/A25421-b00.pdf |

| | | | | | |
|------|----------------------------|--------|-----------|--------|---|
| ATIS | ATIS.3GPP.25.421V1100-2014 | 11.0.0 | Approved | May 14 | https://www.atis.org/docstore/default.aspx |
| CCSA | CCSA-TSD-TDD-25.421 | 11.0.0 | Published | Jun 14 | http://www.ccsa.org.cn/english/tc/files.php?docpath=/ITU-R/M.1457/M.1457-12/TDD |
| ETSI | ETSI TS 125 421 | 11.0.0 | Published | Oct 12 | http://www.etsi.org/deliver/etsi_ts/125400_125499/125421/11.00.00_60/ |

5.3.2.3.12 TS 25.422

UTRAN Iur interface signalling transport

This specification describes the standards for Signalling Transport to be used across Iur Interface.

| SDO (2) | Document No. | Version | Status | Issued date | Location (1) |
|-------------------|---------------------------|---------|-----------|-------------|---|
| Release 99 | | | | | |
| ARIB | ARIB STD-T63-25.422 | 3.6.1 | Approved | Jul 13 | http://www.arib.or.jp/english/html/overview/doc/STD-T63v10_00/2_T63/ARIB-STD-T63/R99/25/A25422-361.pdf |
| ATIS | T1.3GPP.25.422V361-2002 | 3.6.1 | Approved | May 02 | https://www.atis.org/docstore/default.aspx |
| CCSA | CCSA-TSD-TDD-25.422 | 3.6.1 | Published | Apr 02 | http://www.ccsa.org.cn/english/tc/files.php?docpath=/ITU-R/M.1457/M.1457-12/TDD |
| ETSI | ETSI TS 125 422 | 3.6.1 | Published | Apr 02 | http://www.etsi.org/deliver/etsi_ts/125400_125499/125422/03.06.01_60/ |
| Release 4 | | | | | |
| ARIB | ARIB STD-T63-25.422 | 4.2.0 | Approved | Jul 13 | http://www.arib.or.jp/english/html/overview/doc/STD-T63v10_00/2_T63/ARIB-STD-T63/Rel4/25/A25422-420.pdf |
| ATIS | T1.3GPP.25.422V420-2003 | 4.2.0 | Approved | Mar 03 | https://www.atis.org/docstore/default.aspx |
| CCSA | CCSA-TSD-TDD-25.422 | 4.2.0 | Published | Oct 02 | http://www.ccsa.org.cn/english/tc/files.php?docpath=/ITU-R/M.1457/M.1457-12/TDD |
| ETSI | ETSI TS 125 422 | 4.2.0 | Published | Oct 02 | http://www.etsi.org/deliver/etsi_ts/125400_125499/125422/04.02.00_60/ |
| Release 5 | | | | | |
| ARIB | ARIB STD-T63-25.422 | 5.1.0 | Approved | Jul 13 | http://www.arib.or.jp/english/html/overview/doc/STD-T63v10_00/2_T63/ARIB-STD-T63/Rel5/25/A25422-510.pdf |
| ATIS | T1.3GPP.25.422V510-2003 | 5.1.0 | Approved | Mar 03 | https://www.atis.org/docstore/default.aspx |
| CCSA | CCSA-TSD-TDD-25.422 | 5.1.0 | Published | Oct 02 | http://www.ccsa.org.cn/english/tc/files.php?docpath=/ITU-R/M.1457/M.1457-12/TDD |
| ETSI | ETSI TS 125 422 | 5.1.0 | Published | Oct 02 | http://www.etsi.org/deliver/etsi_ts/125400_125499/125422/05.01.00_60/ |
| Release 6 | | | | | |
| ARIB | ARIB STD-T63-25.422 | 6.2.0 | Approved | Jul 13 | http://www.arib.or.jp/english/html/overview/doc/STD-T63v10_00/2_T63/ARIB-STD-T63/Rel6/25/A25422-620.pdf |
| ATIS | ATIS.3GPP.25.422V620-2006 | 6.2.0 | Approved | Apr 06 | https://www.atis.org/docstore/default.aspx |
| CCSA | CCSA-TSD-TDD-25.422 | 6.2.0 | Published | Jan 06 | http://www.ccsa.org.cn/english/tc/files.php?docpath=/ITU-R/M.1457/M.1457-12/TDD |
| ETSI | ETSI TS 125 422 | 6.2.0 | Published | Jan 06 | http://www.etsi.org/deliver/etsi_ts/125400_125499/125422/06.02.00_60/ |
| Release 7 | | | | | |
| ARIB | ARIB STD-T63-25.422 | 7.1.0 | Approved | Jul 13 | http://www.arib.or.jp/english/html/overview/doc/STD-T63v10_00/2_T63/ARIB-STD-T63/Rel7/25/A25422-710.pdf |
| ATIS | ATIS.3GPP.25.422V710-2007 | 7.1.0 | Approved | Oct 07 | https://www.atis.org/docstore/default.aspx |
| CCSA | CCSA-TSD-TDD-25.422 | 7.1.0 | Published | Oct 07 | http://www.ccsa.org.cn/english/tc/files.php?docpath=/ITU-R/M.1457/M.1457-12/TDD |
| ETSI | ETSI TS 125 422 | 7.1.0 | Published | Oct 07 | http://www.etsi.org/deliver/etsi_ts/125400_125499/125422/07.01.00_60/ |
| Release 8 | | | | | |
| ARIB | ARIB STD-T63-25.422 | 8.0.0 | Approved | Jul 13 | http://www.arib.or.jp/english/html/overview/doc/STD-T63v10_00/2_T63/ARIB-STD-T63/Rel8/25/A25422-800.pdf |
| ATIS | ATIS.3GPP.25.422V800-2009 | 8.0.0 | Approved | Jul 09 | https://www.atis.org/docstore/default.aspx |
| CCSA | CCSA-TSD-TDD-25.422 | 8.0.0 | Published | Jan 09 | http://www.ccsa.org.cn/english/tc/files.php?docpath=/ITU-R/M.1457/M.1457-12/TDD |
| ETSI | ETSI TS 125 422 | 8.0.0 | Published | Jan 09 | http://www.etsi.org/deliver/etsi_ts/125400_125499/125422/08.00.00_60/ |
| Release 9 | | | | | |
| ARIB | ARIB STD-T63-25.422 | 9.0.1 | Approved | Jul 13 | http://www.arib.or.jp/english/html/overview/doc/STD-T63v10_00/2_T63/ARIB-STD-T63/Rel9/25/A25422-901.pdf |
| ATIS | ATIS.3GPP.25.422V901-2012 | 9.0.1 | Approved | Jul 12 | https://www.atis.org/docstore/default.aspx |
| CCSA | CCSA-TSD-TDD-25.422 | 9.0.1 | Published | Jun 12 | http://www.ccsa.org.cn/english/tc/files.php?docpath=/ITU-R/M.1457/M.1457-12/TDD |

| | | | | | |
|------|-----------------|-------|-----------|--------|---|
| ETSI | ETSI TS 125 422 | 9.0.1 | Published | Apr 11 | http://www.etsi.org/deliver/etsi_ts/125400_125499/125422/09.00.01_60/ |
|------|-----------------|-------|-----------|--------|---|

Release 10

| | | | | | |
|------|----------------------------|--------|-----------|--------|---|
| ARIB | ARIB STD-T63-25.422 | 10.1.0 | Approved | Jul 13 | http://www.arib.or.jp/english/html/overview/doc/STD-T63v10_00/2_T63/ARIB-STD-T63/Rel10/25/A25422-a10.pdf |
| ATIS | ATIS.3GPP.25.422V1010-2012 | 10.1.0 | Approved | Jul 12 | https://www.atis.org/docstore/default.aspx |
| CCSA | CCSA-TSD-TDD-25.422 | 10.1.0 | Published | Jun 12 | http://www.ccsa.org.cn/english/tc/files.php?docpath=/ITU-R/M.1457/M.1457-12/TDD |
| ETSI | ETSI TS 125 422 | 10.1.0 | Published | Jul 11 | http://www.etsi.org/deliver/etsi_ts/125400_125499/125422/10.01.00_60/ |

Release 11

| | | | | | |
|------|----------------------------|--------|-----------|--------|---|
| ARIB | ARIB STD-T63-25.422 | 11.0.0 | Approved | Jul 13 | http://www.arib.or.jp/english/html/overview/doc/STD-T63v10_00/2_T63/ARIB-STD-T63/Rel11/25/A25422-b00.pdf |
| ATIS | ATIS.3GPP.25.422V1100-2014 | 11.0.0 | Approved | May 14 | https://www.atis.org/docstore/default.aspx |
| CCSA | CCSA-TSD-TDD-25.422 | 11.0.0 | Published | Jun 14 | http://www.ccsa.org.cn/english/tc/files.php?docpath=/ITU-R/M.1457/M.1457-12/TDD |
| ETSI | ETSI TS 125 422 | 11.0.0 | Published | Oct 12 | http://www.etsi.org/deliver/etsi_ts/125400_125499/125422/11.00.00_60/ |

5.3.2.3.13 TS 25.423**UTRAN Iur interface Radio Network Subsystem Application Part (RNSAP) signalling**

This specification describes the radio network layer signalling procedures between RNCs in UTRAN.

| SDO (2) | Document No. | Version | Status | Issued date | Location (1) |
|-------------------|----------------------------|---------|-----------|-------------|---|
| Release 99 | | | | | |
| ARIB | ARIB STD-T63-25.423 | 3.14.2 | Approved | Jul 13 | http://www.arib.or.jp/english/html/overview/doc/STD-T63v10_00/2_T63/ARIB-STD-T63/R99/25/A25423-3e2.pdf |
| ATIS | ATIS.3GPP.25.423V3142-2005 | 3.14.2 | Approved | Apr 05 | https://www.atis.org/docstore/default.aspx |
| CCSA | CCSA-TSD-TDD-25.423 | 3.14.2 | Published | Jul 04 | http://www.ccsa.org.cn/english/tc/files.php?docpath=/ITU-R/M.1457/M.1457-12/TDD |
| ETSI | ETSI TS 125 423 | 3.14.2 | Published | Jul 04 | http://www.etsi.org/deliver/etsi_ts/125400_125499/125423/03.14.02_60/ |
| Release 4 | | | | | |
| ARIB | ARIB STD-T63-25.423 | 4.13.0 | Approved | Jul 13 | http://www.arib.or.jp/english/html/overview/doc/STD-T63v10_00/2_T63/ARIB-STD-T63/Rel4/25/A25423-4d0.pdf |
| ATIS | ATIS.3GPP.25.423V4130-2006 | 4.13.0 | Approved | Apr 06 | https://www.atis.org/docstore/default.aspx |
| CCSA | CCSA-TSD-TDD-25.423 | 4.13.0 | Published | Jan 06 | http://www.ccsa.org.cn/english/tc/files.php?docpath=/ITU-R/M.1457/M.1457-12/TDD |
| ETSI | ETSI TS 125 423 | 4.13.0 | Published | Jan 06 | http://www.etsi.org/deliver/etsi_ts/125400_125499/125423/04.13.00_60/ |
| Release 5 | | | | | |
| ARIB | ARIB STD-T63-25.423 | 5.17.0 | Approved | Jul 13 | http://www.arib.or.jp/english/html/overview/doc/STD-T63v10_00/2_T63/ARIB-STD-T63/Rel5/25/A25423-5h0.pdf |
| ATIS | ATIS.3GPP.25.423V5170-2007 | 5.17.0 | Approved | Oct 07 | https://www.atis.org/docstore/default.aspx |
| CCSA | CCSA-TSD-TDD-25.423 | 5.17.0 | Published | May 06 | http://www.ccsa.org.cn/english/tc/files.php?docpath=/ITU-R/M.1457/M.1457-12/TDD |
| ETSI | ETSI TS 125 423 | 5.17.0 | Published | May 06 | http://www.etsi.org/deliver/etsi_ts/125400_125499/125423/05.17.00_60/ |
| Release 6 | | | | | |
| ARIB | ARIB STD-T63-25.423 | 6.17.0 | Approved | Jul 13 | http://www.arib.or.jp/english/html/overview/doc/STD-T63v10_00/2_T63/ARIB-STD-T63/Rel6/25/A25423-6h0.pdf |
| ATIS | ATIS.3GPP.25.423V6170-2008 | 6.17.0 | Approved | Oct 08 | https://www.atis.org/docstore/default.aspx |
| CCSA | CCSA-TSD-TDD-25.423 | 6.17.0 | Published | Jul 08 | http://www.ccsa.org.cn/english/tc/files.php?docpath=/ITU-R/M.1457/M.1457-12/TDD |
| ETSI | ETSI TS 125 423 | 6.17.0 | Published | Jul 08 | http://www.etsi.org/deliver/etsi_ts/125400_125499/125423/06.17.00_60/ |
| Release 7 | | | | | |
| ARIB | ARIB STD-T63-25.423 | 7.16.0 | Approved | Jul 13 | http://www.arib.or.jp/english/html/overview/doc/STD-T63v10_00/2_T63/ARIB-STD-T63/Rel7/25/A25423-7g0.pdf |

| | | | | | |
|-------------------|----------------------------|--------|-----------|--------|---|
| ATIS | ATIS.3GPP.25.423V7160-2010 | 7.16.0 | Approved | Jul 10 | https://www.atis.org/docstore/default.aspx |
| CCSA | CCSA-TSD-TDD-25.423 | 7.16.0 | Published | Jun 12 | http://www.ccsa.org.cn/english/tc/files.php?docpath=/ITU-R/M.1457/M.1457-12/TDD |
| ETSI | ETSI TS 125 423 | 7.16.0 | Published | Apr 10 | http://www.etsi.org/deliver/etsi_ts/125400_125499/125423/07.16.00_60/ |
| Release 8 | | | | | |
| ARIB | ARIB STD-T63-25.423 | 8.13.0 | Approved | Jul 13 | http://www.arib.or.jp/english/html/overview/doc/STD-T63v10_00/2_T63/ARIB-STD-T63/Rel8/25/A25423-8d0.pdf |
| ATIS | ATIS.3GPP.25.423V8130-2014 | 8.13.0 | Approved | May 14 | https://www.atis.org/docstore/default.aspx |
| CCSA | CCSA-TSD-TDD-25.423 | 8.12.0 | Published | Jun 12 | http://www.ccsa.org.cn/english/tc/files.php?docpath=/ITU-R/M.1457/M.1457-12/TDD |
| ETSI | ETSI TS 125 423 | 8.13.0 | Published | Apr 12 | http://www.etsi.org/deliver/etsi_ts/125400_125499/125423/08.13.00_60/ |
| Release 9 | | | | | |
| ARIB | ARIB STD-T63-25.423 | 9.9.0 | Approved | Jul 13 | http://www.arib.or.jp/english/html/overview/doc/STD-T63v10_00/2_T63/ARIB-STD-T63/Rel9/25/A25423-990.pdf |
| ATIS | ATIS.3GPP.25.423V990-2014 | 9.9.0 | Approved | May 14 | https://www.atis.org/docstore/default.aspx |
| CCSA | CCSA-TSD-TDD-25.423 | 9.8.0 | Published | Jun 12 | http://www.ccsa.org.cn/english/tc/files.php?docpath=/ITU-R/M.1457/M.1457-12/TDD |
| ETSI | ETSI TS 125 423 | 9.9.0 | Published | Apr 12 | http://www.etsi.org/deliver/etsi_ts/125400_125499/125423/09.09.00_60/ |
| Release 10 | | | | | |
| ARIB | ARIB STD-T63-25.423 | 10.9.0 | Approved | Jul 13 | http://www.arib.or.jp/english/html/overview/doc/STD-T63v10_00/2_T63/ARIB-STD-T63/Rel10/25/A25423-a90.pdf |
| ATIS | ATIS.3GPP.25.423V1090-2014 | 10.9.0 | Approved | May 14 | https://www.atis.org/docstore/default.aspx |
| CCSA | CCSA-TSD-TDD-25.423 | 10.5.0 | Published | Jun 12 | http://www.ccsa.org.cn/english/tc/files.php?docpath=/ITU-R/M.1457/M.1457-12/TDD |
| ETSI | ETSI TS 125 423 | 10.9.0 | Published | Apr 13 | http://www.etsi.org/deliver/etsi_ts/125400_125499/125423/10.09.00_60/ |
| Release 11 | | | | | |
| ARIB | ARIB STD-T63-25.423 | 11.5.0 | Approved | Jul 13 | http://www.arib.or.jp/english/html/overview/doc/STD-T63v10_00/2_T63/ARIB-STD-T63/Rel11/25/A25423-b50.pdf |
| ATIS | ATIS.3GPP.25.423V1150-2014 | 11.5.0 | Approved | May 14 | https://www.atis.org/docstore/default.aspx |
| CCSA | CCSA-TSD-TDD-25.423 | 11.7.0 | Published | Jun 14 | http://www.ccsa.org.cn/english/tc/files.php?docpath=/ITU-R/M.1457/M.1457-12/TDD |
| ETSI | ETSI TS 125 423 | 11.5.0 | Published | Apr 13 | http://www.etsi.org/deliver/etsi_ts/125400_125499/125423/11.05.00_60/ |

5.3.2.3.14 TS 25.424

UTRAN Iur interface data transport & transport signalling for Common Transport Channel data streams

This specification describes the UTRAN RNS-RNS (Iur) interface data transport and transport signalling for common transport channel data streams.

| SDO (2) | Document No. | Version | Status | Issued date | Location (1) |
|-------------------|---------------------------|---------|-----------|-------------|---|
| Release 99 | | | | | |
| ARIB | ARIB STD-T63-25.424 | 3.9.0 | Approved | Jul 13 | http://www.arib.or.jp/english/html/overview/doc/STD-T63v10_00/2_T63/ARIB-STD-T63/R99/25/A25424-390.pdf |
| ATIS | T1.3GPP.25.424V390-2003 | 3.9.0 | Approved | Mar 03 | https://www.atis.org/docstore/default.aspx |
| CCSA | CCSA-TSD-TDD-25.424 | 3.9.0 | Published | Jul 02 | http://www.ccsa.org.cn/english/tc/files.php?docpath=/ITU-R/M.1457/M.1457-12/TDD |
| ETSI | ETSI TS 125 424 | 3.9.0 | Published | Jul 02 | http://www.etsi.org/deliver/etsi_ts/125400_125499/125424/03.09.00_60/ |
| Release 4 | | | | | |
| ARIB | ARIB STD-T63-25.424 | 4.3.0 | Approved | Jul 13 | http://www.arib.or.jp/english/html/overview/doc/STD-T63v10_00/2_T63/ARIB-STD-T63/Rel4/25/A25424-430.pdf |
| ATIS | T1.3GPP.25.424V430-2003 | 4.3.0 | Approved | Mar 03 | https://www.atis.org/docstore/default.aspx |
| CCSA | CCSA-TSD-TDD-25.424 | 4.3.0 | Published | Jul 02 | http://www.ccsa.org.cn/english/tc/files.php?docpath=/ITU-R/M.1457/M.1457-12/TDD |
| ETSI | ETSI TS 125 424 | 4.3.0 | Published | Jul 02 | http://www.etsi.org/deliver/etsi_ts/125400_125499/125424/04.03.00_60/ |
| Release 5 | | | | | |
| ARIB | ARIB STD-T63-25.424 | 5.6.0 | Approved | Jul 13 | http://www.arib.or.jp/english/html/overview/doc/STD-T63v10_00/2_T63/ARIB-STD-T63/Rel5/25/A25424-560.pdf |
| ATIS | ATIS.3GPP.25.424V560-2006 | 5.6.0 | Approved | Apr 06 | https://www.atis.org/docstore/default.aspx |
| CCSA | CCSA-TSD-TDD-25.424 | 5.6.0 | Published | Oct 05 | http://www.ccsa.org.cn/english/tc/files.php?docpath=/ITU-R/M.1457/M.1457-12/TDD |

| | | | | | |
|-------------------|----------------------------|--------|-----------|--------|---|
| ETSI | ETSI TS 125 424 | 5.6.0 | Published | Oct 05 | http://www.etsi.org/deliver/etsi_ts/125400_125499/125424/05.06.00_60/ |
| Release 6 | | | | | |
| ARIB | ARIB STD-T63-25.424 | 6.3.0 | Approved | Jul 13 | http://www.arib.or.jp/english/html/overview/doc/STD-T63v10_00/2_T63/ARIB-STD-T63/Rel6/25/A25424-630.pdf |
| ATIS | ATIS.3GPP.25.424V630-2006 | 6.3.0 | Approved | Apr 06 | https://www.atis.org/docstore/default.aspx |
| CCSA | CCSA-TSD-TDD-25.424 | 6.3.0 | Published | Oct 05 | http://www.ccsa.org.cn/english/tc/files.php?docpath=/ITU-R/M.1457/M.1457-12/TDD |
| ETSI | ETSI TS 125 424 | 6.3.0 | Published | Oct 05 | http://www.etsi.org/deliver/etsi_ts/125400_125499/125424/06.03.00_60/ |
| Release 7 | | | | | |
| ARIB | ARIB STD-T63-25.424 | 7.1.0 | Approved | Jul 13 | http://www.arib.or.jp/english/html/overview/doc/STD-T63v10_00/2_T63/ARIB-STD-T63/Rel7/25/A25424-710.pdf |
| ATIS | ATIS.3GPP.25.424V710-2007 | 7.1.0 | Approved | Oct 07 | https://www.atis.org/docstore/default.aspx |
| CCSA | CCSA-TSD-TDD-25.424 | 7.1.0 | Published | Jan 07 | http://www.ccsa.org.cn/english/tc/files.php?docpath=/ITU-R/M.1457/M.1457-12/TDD |
| ETSI | ETSI TS 125 424 | 7.1.0 | Published | Jan 07 | http://www.etsi.org/deliver/etsi_ts/125400_125499/125424/07.01.00_60/ |
| Release 8 | | | | | |
| ARIB | ARIB STD-T63-25.424 | 8.0.0 | Approved | Jul 13 | http://www.arib.or.jp/english/html/overview/doc/STD-T63v10_00/2_T63/ARIB-STD-T63/Rel8/25/A25424-800.pdf |
| ATIS | ATIS.3GPP.25.424V800-2009 | 8.0.0 | Approved | Jul 09 | https://www.atis.org/docstore/default.aspx |
| CCSA | CCSA-TSD-TDD-25.424 | 8.0.0 | Published | Jan 09 | http://www.ccsa.org.cn/english/tc/files.php?docpath=/ITU-R/M.1457/M.1457-12/TDD |
| ETSI | ETSI TS 125 424 | 8.0.0 | Published | Jan 09 | http://www.etsi.org/deliver/etsi_ts/125400_125499/125424/08.00.00_60/ |
| Release 9 | | | | | |
| ARIB | ARIB STD-T63-25.424 | 9.0.1 | Approved | Jul 13 | http://www.arib.or.jp/english/html/overview/doc/STD-T63v10_00/2_T63/ARIB-STD-T63/Rel9/25/A25424-901.pdf |
| ATIS | ATIS.3GPP.25.424V901-2012 | 9.0.1 | Approved | Jul 12 | https://www.atis.org/docstore/default.aspx |
| CCSA | CCSA-TSD-TDD-25.424 | 9.0.1 | Published | Jun 12 | http://www.ccsa.org.cn/english/tc/files.php?docpath=/ITU-R/M.1457/M.1457-12/TDD |
| ETSI | ETSI TS 125 424 | 9.0.1 | Published | Apr 11 | http://www.etsi.org/deliver/etsi_ts/125400_125499/125424/09.00.01_60/ |
| Release 10 | | | | | |
| ARIB | ARIB STD-T63-25.424 | 10.1.0 | Approved | Jul 13 | http://www.arib.or.jp/english/html/overview/doc/STD-T63v10_00/2_T63/ARIB-STD-T63/Rel10/25/A25424-a10.pdf |
| ATIS | ATIS.3GPP.25.424V1010-2012 | 10.1.0 | Approved | Jul 12 | https://www.atis.org/docstore/default.aspx |
| CCSA | CCSA-TSD-TDD-25.424 | 10.1.0 | Published | Jun 12 | http://www.ccsa.org.cn/english/tc/files.php?docpath=/ITU-R/M.1457/M.1457-12/TDD |
| ETSI | ETSI TS 125 424 | 10.1.0 | Published | Jul 11 | http://www.etsi.org/deliver/etsi_ts/125400_125499/125424/10.01.00_60/ |
| Release 11 | | | | | |
| ARIB | ARIB STD-T63-25.424 | 11.0.0 | Approved | Jul 13 | http://www.arib.or.jp/english/html/overview/doc/STD-T63v10_00/2_T63/ARIB-STD-T63/Rel11/25/A25424-b00.pdf |
| ATIS | ATIS.3GPP.25.424V1100-2014 | 11.0.0 | Approved | May 14 | https://www.atis.org/docstore/default.aspx |
| CCSA | CCSA-TSD-TDD-25.424 | 11.0.0 | Published | Jun 14 | http://www.ccsa.org.cn/english/tc/files.php?docpath=/ITU-R/M.1457/M.1457-12/TDD |
| ETSI | ETSI TS 125 424 | 11.0.0 | Published | Oct 12 | http://www.etsi.org/deliver/etsi_ts/125400_125499/125424/11.00.00_60/ |

5.3.2.3.15 TS 25.425

UTRAN Iur interface user plane protocols for Common Transport Channel data streams

This specification describes the UTRAN RNS-RNS (Iur) interface user plane protocols for common transport channel data streams.

| SDO (2) | Document No. | Version | Status | Issued date | Location (1) |
|-------------------|-------------------------|---------|-----------|-------------|---|
| Release 99 | | | | | |
| ARIB | ARIB STD-T63-25.425 | 3.8.0 | Approved | Jul 13 | http://www.arib.or.jp/english/html/overview/doc/STD-T63v10_00/2_T63/ARIB-STD-T63/R99/25/A25425-380.pdf |
| ATIS | T1.3GPP.25.425V380-2004 | 3.8.0 | Approved | May 04 | https://www.atis.org/docstore/default.aspx |
| CCSA | CCSA-TSD-TDD-25.425 | 3.8.0 | Published | Jan 04 | http://www.ccsa.org.cn/english/tc/files.php?docpath=/ITU-R/M.1457/M.1457-12/TDD |
| ETSI | ETSI TS 125 425 | 3.8.0 | Published | Jan 04 | http://www.etsi.org/deliver/etsi_ts/125400_125499/125425/03.08.00_60/ |

Release 4

| | | | | | |
|------|-------------------------|-------|-----------|--------|---|
| ARIB | ARIB STD-T63-25.425 | 4.4.0 | Approved | Jul 13 | http://www.arib.or.jp/english/html/overview/doc/STD-T63v10_00/2_T63/ARIB-STD-T63/Rel4/25/A25425-440.pdf |
| ATIS | T1.3GPP.25.425V440-2004 | 4.4.0 | Approved | May 04 | https://www.atis.org/docstore/default.aspx |
| CCSA | CCSA-TSD-TDD-25.425 | 4.4.0 | Published | Jan 04 | http://www.ccsa.org.cn/english/tc/files.php?docpath=/ITU-R/M.1457/M.1457-12/TDD |
| ETSI | ETSI TS 125 425 | 4.4.0 | Published | Jan 04 | http://www.etsi.org/deliver/etsi_ts/125400_125499/125425/04.04.00_60/ |

Release 5

| | | | | | |
|------|---------------------------|-------|-----------|--------|---|
| ARIB | ARIB STD-T63-25.425 | 5.8.0 | Approved | Jul 13 | http://www.arib.or.jp/english/html/overview/doc/STD-T63v10_00/2_T63/ARIB-STD-T63/Rel5/25/A25425-580.pdf |
| ATIS | ATIS.3GPP.25.425V580-2006 | 5.8.0 | Approved | Apr 06 | https://www.atis.org/docstore/default.aspx |
| CCSA | CCSA-TSD-TDD-25.425 | 5.8.0 | Published | Jul 05 | http://www.ccsa.org.cn/english/tc/files.php?docpath=/ITU-R/M.1457/M.1457-12/TDD |
| ETSI | ETSI TS 125 425 | 5.8.0 | Published | Jul 05 | http://www.etsi.org/deliver/etsi_ts/125400_125499/125425/05.08.00_60/ |

Release 6

| | | | | | |
|------|---------------------------|-------|-----------|--------|---|
| ARIB | ARIB STD-T63-25.425 | 6.6.0 | Approved | Jul 13 | http://www.arib.or.jp/english/html/overview/doc/STD-T63v10_00/2_T63/ARIB-STD-T63/Rel6/25/A25425-660.pdf |
| ATIS | ATIS.3GPP.25.425V660-2009 | 6.6.0 | Approved | Jul 09 | https://www.atis.org/docstore/default.aspx |
| CCSA | CCSA-TSD-TDD-25.425 | 6.6.0 | Published | Jan 09 | http://www.ccsa.org.cn/english/tc/files.php?docpath=/ITU-R/M.1457/M.1457-12/TDD |
| ETSI | ETSI TS 125 425 | 6.6.0 | Published | Jan 09 | http://www.etsi.org/deliver/etsi_ts/125400_125499/125425/06.06.00_60/ |

Release 7

| | | | | | |
|------|----------------------------|--------|-----------|--------|---|
| ARIB | ARIB STD-T63-25.425 | 7.11.0 | Approved | Jul 13 | http://www.arib.or.jp/english/html/overview/doc/STD-T63v10_00/2_T63/ARIB-STD-T63/Rel7/25/A25425-7b0.pdf |
| ATIS | ATIS.3GPP.25.425V7110-2010 | 7.11.0 | Approved | Jul 10 | https://www.atis.org/docstore/default.aspx |
| CCSA | CCSA-TSD-TDD-25.425 | 7.11.0 | Published | Mar 10 | http://www.ccsa.org.cn/english/tc/files.php?docpath=/ITU-R/M.1457/M.1457-12/TDD |
| ETSI | ETSI TS 125 425 | 7.11.0 | Published | Jul 09 | http://www.etsi.org/deliver/etsi_ts/125400_125499/125425/07.11.00_60/ |

Release 8

| | | | | | |
|------|---------------------------|-------|-----------|--------|---|
| ARIB | ARIB STD-T63-25.425 | 8.6.0 | Approved | Jul 13 | http://www.arib.or.jp/english/html/overview/doc/STD-T63v10_00/2_T63/ARIB-STD-T63/Rel8/25/A25425-860.pdf |
| ATIS | ATIS.3GPP.25.425V860-2012 | 8.6.0 | Approved | Jul 12 | https://www.atis.org/docstore/default.aspx |
| CCSA | CCSA-TSD-TDD-25.425 | 8.6.0 | Published | Jun 12 | http://www.ccsa.org.cn/english/tc/files.php?docpath=/ITU-R/M.1457/M.1457-12/TDD |
| ETSI | ETSI TS 125 425 | 8.6.0 | Published | Jul 11 | http://www.etsi.org/deliver/etsi_ts/125400_125499/125425/08.06.00_60/ |

Release 9

| | | | | | |
|------|---------------------------|-------|-----------|--------|---|
| ARIB | ARIB STD-T63-25.425 | 9.3.0 | Approved | Jul 13 | http://www.arib.or.jp/english/html/overview/doc/STD-T63v10_00/2_T63/ARIB-STD-T63/Rel9/25/A25425-930.pdf |
| ATIS | ATIS.3GPP.25.425V930-2014 | 9.3.0 | Approved | May 14 | https://www.atis.org/docstore/default.aspx |
| CCSA | CCSA-TSD-TDD-25.425 | 9.3.0 | Published | Jun 12 | http://www.ccsa.org.cn/english/tc/files.php?docpath=/ITU-R/M.1457/M.1457-12/TDD |
| ETSI | ETSI TS 125 425 | 9.3.0 | Published | Jan 12 | http://www.etsi.org/deliver/etsi_ts/125400_125499/125425/09.03.00_60/ |

Release 10

| | | | | | |
|------|----------------------------|--------|-----------|--------|---|
| ARIB | ARIB STD-T63-25.425 | 10.2.0 | Approved | Jul 13 | http://www.arib.or.jp/english/html/overview/doc/STD-T63v10_00/2_T63/ARIB-STD-T63/Rel10/25/A25425-a20.pdf |
| ATIS | ATIS.3GPP.25.425V1020-2014 | 10.2.0 | Approved | May 14 | https://www.atis.org/docstore/default.aspx |
| CCSA | CCSA-TSD-TDD-25.425 | 10.2.0 | Published | Jun 12 | http://www.ccsa.org.cn/english/tc/files.php?docpath=/ITU-R/M.1457/M.1457-12/TDD |
| ETSI | ETSI TS 125 425 | 10.2.0 | Published | Jan 12 | http://www.etsi.org/deliver/etsi_ts/125400_125499/125425/10.02.00_60/ |

Release 11

| | | | | | |
|------|----------------------------|--------|-----------|--------|---|
| ARIB | ARIB STD-T63-25.425 | 11.2.0 | Approved | Jul 13 | http://www.arib.or.jp/english/html/overview/doc/STD-T63v10_00/2_T63/ARIB-STD-T63/Rel11/25/A25425-b20.pdf |
| ATIS | ATIS.3GPP.25.425V1120-2014 | 11.2.0 | Approved | May 14 | https://www.atis.org/docstore/default.aspx |
| CCSA | CCSA-TSD-TDD-25.425 | 11.3.0 | Published | Jun 14 | http://www.ccsa.org.cn/english/tc/files.php?docpath=/ITU-R/M.1457/M.1457-12/TDD |
| ETSI | ETSI TS 125 425 | 11.2.0 | Published | Apr 13 | http://www.etsi.org/deliver/etsi_ts/125400_125499/125425/11.02.00_60/ |

5.3.2.3.16 TS 25.426**UTRAN Iur and Iub interface data transport & transport signalling for DCH data streams**

This specification describes the transport bearers for the DCH data streams on UTRAN Iur and Iub interfaces. The corresponding transport network control plane is also specified. The physical layer for the transport bearers is outside the scope of this TS.

| SDO (2) | Document No. | Version | Status | Issued date | Location (1) |
|-------------------|----------------------------|---------|-----------|-------------|---|
| Release 99 | | | | | |
| ARIB | ARIB STD-T63-25.426 | 3.9.0 | Approved | Jul 13 | http://www.arib.or.jp/english/html/overview/doc/STD-T63v10_00/2_T63/ARIB-STD-T63/R99/25/A25426-390.pdf |
| ATIS | T1.3GPP.25.426V390-2003 | 3.9.0 | Approved | Mar 03 | https://www.atis.org/docstore/default.aspx |
| CCSA | CCSA-TSD-TDD-25.426 | 3.9.0 | Published | Jul 02 | http://www.ccsa.org.cn/english/tc/files.php?docpath=/ITU-R/M.1457/M.1457-12/TDD |
| ETSI | ETSI TS 125 426 | 3.9.0 | Published | Jul 02 | http://www.etsi.org/deliver/etsi_ts/125400_125499/125426/03.09.00_60/ |
| Release 4 | | | | | |
| ARIB | ARIB STD-T63-25.426 | 4.4.0 | Approved | Jul 13 | http://www.arib.or.jp/english/html/overview/doc/STD-T63v10_00/2_T63/ARIB-STD-T63/Rel4/25/A25426-440.pdf |
| ATIS | T1.3GPP.25.426V440-2003 | 4.4.0 | Approved | Mar 03 | https://www.atis.org/docstore/default.aspx |
| CCSA | CCSA-TSD-TDD-25.426 | 4.4.0 | Published | Oct 02 | http://www.ccsa.org.cn/english/tc/files.php?docpath=/ITU-R/M.1457/M.1457-12/TDD |
| ETSI | ETSI TS 125 426 | 4.4.0 | Published | Oct 02 | http://www.etsi.org/deliver/etsi_ts/125400_125499/125426/04.04.00_60/ |
| Release 5 | | | | | |
| ARIB | ARIB STD-T63-25.426 | 5.6.0 | Approved | Jul 13 | http://www.arib.or.jp/english/html/overview/doc/STD-T63v10_00/2_T63/ARIB-STD-T63/Rel5/25/A25426-560.pdf |
| ATIS | ATIS.3GPP.25.426V560-2005 | 5.6.0 | Approved | Apr 05 | https://www.atis.org/docstore/default.aspx |
| CCSA | CCSA-TSD-TDD-25.426 | 5.6.0 | Published | Oct 04 | http://www.ccsa.org.cn/english/tc/files.php?docpath=/ITU-R/M.1457/M.1457-12/TDD |
| ETSI | ETSI TS 125 426 | 5.6.0 | Published | Oct 04 | http://www.etsi.org/deliver/etsi_ts/125400_125499/125426/05.06.00_60/ |
| Release 6 | | | | | |
| ARIB | ARIB STD-T63-25.426 | 6.5.0 | Approved | Jul 13 | http://www.arib.or.jp/english/html/overview/doc/STD-T63v10_00/2_T63/ARIB-STD-T63/Rel6/25/A25426-650.pdf |
| ATIS | ATIS.3GPP.25.426V650-2007 | 6.5.0 | Approved | Oct 07 | https://www.atis.org/docstore/default.aspx |
| CCSA | CCSA-TSD-TDD-25.426 | 6.5.0 | Published | Jul 06 | http://www.ccsa.org.cn/english/tc/files.php?docpath=/ITU-R/M.1457/M.1457-12/TDD |
| ETSI | ETSI TS 125 426 | 6.5.0 | Published | Jul 06 | http://www.etsi.org/deliver/etsi_ts/125400_125499/125426/06.05.00_60/ |
| Release 7 | | | | | |
| ARIB | ARIB STD-T63-25.426 | 7.1.0 | Approved | Jul 13 | http://www.arib.or.jp/english/html/overview/doc/STD-T63v10_00/2_T63/ARIB-STD-T63/Rel7/25/A25426-710.pdf |
| ATIS | ATIS.3GPP.25.426V710-2007 | 7.1.0 | Approved | Oct 07 | https://www.atis.org/docstore/default.aspx |
| CCSA | CCSA-TSD-TDD-25.426 | 7.1.0 | Published | Jul 06 | http://www.ccsa.org.cn/english/tc/files.php?docpath=/ITU-R/M.1457/M.1457-12/TDD |
| ETSI | ETSI TS 125 426 | 7.1.0 | Published | Jul 06 | http://www.etsi.org/deliver/etsi_ts/125400_125499/125426/07.01.00_60/ |
| Release 8 | | | | | |
| ARIB | ARIB STD-T63-25.426 | 8.0.0 | Approved | Jul 13 | http://www.arib.or.jp/english/html/overview/doc/STD-T63v10_00/2_T63/ARIB-STD-T63/Rel8/25/A25426-800.pdf |
| ATIS | ATIS.3GPP.25.426V800-2009 | 8.0.0 | Approved | Jul 09 | https://www.atis.org/docstore/default.aspx |
| CCSA | CCSA-TSD-TDD-25.426 | 8.0.0 | Published | Jan 09 | http://www.ccsa.org.cn/english/tc/files.php?docpath=/ITU-R/M.1457/M.1457-12/TDD |
| ETSI | ETSI TS 125 426 | 8.0.0 | Published | Jan 09 | http://www.etsi.org/deliver/etsi_ts/125400_125499/125426/08.00.00_60/ |
| Release 9 | | | | | |
| ARIB | ARIB STD-T63-25.426 | 9.0.1 | Approved | Jul 13 | http://www.arib.or.jp/english/html/overview/doc/STD-T63v10_00/2_T63/ARIB-STD-T63/Rel9/25/A25426-901.pdf |
| ATIS | ATIS.3GPP.25.426V901-2012 | 9.0.1 | Approved | Jul 12 | https://www.atis.org/docstore/default.aspx |
| CCSA | CCSA-TSD-TDD-25.426 | 9.0.1 | Published | Jun 12 | http://www.ccsa.org.cn/english/tc/files.php?docpath=/ITU-R/M.1457/M.1457-12/TDD |
| ETSI | ETSI TS 125 426 | 9.0.1 | Published | Apr 11 | http://www.etsi.org/deliver/etsi_ts/125400_125499/125426/09.00.01_60/ |
| Release 10 | | | | | |
| ARIB | ARIB STD-T63-25.426 | 10.1.0 | Approved | Jul 13 | http://www.arib.or.jp/english/html/overview/doc/STD-T63v10_00/2_T63/ARIB-STD-T63/Rel10/25/A25426-a10.pdf |
| ATIS | ATIS.3GPP.25.426V1010-2012 | 10.1.0 | Approved | Jul 12 | https://www.atis.org/docstore/default.aspx |
| CCSA | CCSA-TSD-TDD-25.426 | 10.1.0 | Published | Jun 12 | http://www.ccsa.org.cn/english/tc/files.php?docpath=/ITU-R/M.1457/M.1457-12/TDD |

| | | | | | |
|-------------------|----------------------------|--------|-----------|--------|---|
| ETSI | ETSI TS 125 426 | 10.1.0 | Published | Jul 11 | http://www.etsi.org/deliver/etsi_ts/125400_125499/125426/10.01.00_60/ |
| Release 11 | | | | | |
| ARIB | ARIB STD-T63-25.426 | 11.0.0 | Approved | Jul 13 | http://www.arib.or.jp/english/html/overview/doc/STD-T63v10_00/2_T63/ARIB-STD-T63/Rel11/25/A25426-b00.pdf |
| ATIS | ATIS.3GPP.25.426V1100-2014 | 11.0.0 | Approved | May 14 | https://www.atis.org/docstore/default.aspx |
| CCSA | CCSA-TSD-TDD-25.426 | 11.0.0 | Published | Jun 14 | http://www.ccsa.org.cn/english/tc/files.php?docpath=/ITU-R/M.1457/M.1457-12/TDD |
| ETSI | ETSI TS 125 426 | 11.0.0 | Published | Oct 12 | http://www.etsi.org/deliver/etsi_ts/125400_125499/125426/11.00.00_60/ |

5.3.2.3.17 TS 25.427

UTRAN Iub/Iur interface user plane protocol for DCH data streams

This specification describes the UTRAN Iur and Iub interfaces user plane protocols for dedicated transport channel data streams.

| SDO (2) | Document No. | Version | Status | Issued date | Location (1) |
|-------------------|---------------------------|---------|-----------|-------------|---|
| Release 99 | | | | | |
| ARIB | ARIB STD-T63-25.427 | 3.11.0 | Approved | Jul 13 | http://www.arib.or.jp/english/html/overview/doc/STD-T63v10_00/2_T63/ARIB-STD-T63/R99/25/A25427-3b0.pdf |
| ATIS | T1.3GPP.25.427V3110-2004 | 3.11.0 | Approved | May 04 | https://www.atis.org/docstore/default.aspx |
| CCSA | CCSA-TSD-TDD-25.427 | 3.11.0 | Published | Jan 04 | http://www.ccsa.org.cn/english/tc/files.php?docpath=/ITU-R/M.1457/M.1457-12/TDD |
| ETSI | ETSI TS 125 427 | 3.11.0 | Published | Jan 04 | http://www.etsi.org/deliver/etsi_ts/125400_125499/125427/03.11.00_60/ |
| Release 4 | | | | | |
| ARIB | ARIB STD-T63-25.427 | 4.5.0 | Approved | Jul 13 | http://www.arib.or.jp/english/html/overview/doc/STD-T63v10_00/2_T63/ARIB-STD-T63/Rel4/25/A25427-450.pdf |
| ATIS | T1.3GPP.25.427V450-2004 | 4.5.0 | Approved | May 04 | https://www.atis.org/docstore/default.aspx |
| CCSA | CCSA-TSD-TDD-25.427 | 4.5.0 | Published | Jan 04 | http://www.ccsa.org.cn/english/tc/files.php?docpath=/ITU-R/M.1457/M.1457-12/TDD |
| ETSI | ETSI TS 125 427 | 4.5.0 | Published | Jan 04 | http://www.etsi.org/deliver/etsi_ts/125400_125499/125427/04.05.00_60/ |
| Release 5 | | | | | |
| ARIB | ARIB STD-T63-25.427 | 5.5.0 | Approved | Jul 13 | http://www.arib.or.jp/english/html/overview/doc/STD-T63v10_00/2_T63/ARIB-STD-T63/Rel5/25/A25427-550.pdf |
| ATIS | ATIS.3GPP.25.427V550-2006 | 5.5.0 | Approved | Apr 06 | https://www.atis.org/docstore/default.aspx |
| CCSA | CCSA-TSD-TDD-25.427 | 5.5.0 | Published | Jul 05 | http://www.ccsa.org.cn/english/tc/files.php?docpath=/ITU-R/M.1457/M.1457-12/TDD |
| ETSI | ETSI TS 125 427 | 5.5.0 | Published | Jul 05 | http://www.etsi.org/deliver/etsi_ts/125400_125499/125427/05.05.00_60/ |
| Release 6 | | | | | |
| ARIB | ARIB STD-T63-25.427 | 6.8.0 | Approved | Jul 13 | http://www.arib.or.jp/english/html/overview/doc/STD-T63v10_00/2_T63/ARIB-STD-T63/Rel6/25/A25427-680.pdf |
| ATIS | ATIS.3GPP.25.427V680-2007 | 6.8.0 | Approved | Oct 07 | https://www.atis.org/docstore/default.aspx |
| CCSA | CCSA-TSD-TDD-25.427 | 6.8.0 | Published | Jan 07 | http://www.ccsa.org.cn/english/tc/files.php?docpath=/ITU-R/M.1457/M.1457-12/TDD |
| ETSI | ETSI TS 125 427 | 6.8.0 | Published | Jan 07 | http://www.etsi.org/deliver/etsi_ts/125400_125499/125427/06.08.00_60/ |
| Release 7 | | | | | |
| ARIB | ARIB STD-T63-25.427 | 7.5.0 | Approved | Jul 13 | http://www.arib.or.jp/english/html/overview/doc/STD-T63v10_00/2_T63/ARIB-STD-T63/Rel7/25/A25427-750.pdf |
| ATIS | ATIS.3GPP.25.427V750-2007 | 7.5.0 | Approved | Oct 07 | https://www.atis.org/docstore/default.aspx |
| CCSA | CCSA-TSD-TDD-25.427 | 7.5.0 | Published | Oct 07 | http://www.ccsa.org.cn/english/tc/files.php?docpath=/ITU-R/M.1457/M.1457-12/TDD |
| ETSI | ETSI TS 125 427 | 7.5.0 | Published | Oct 07 | http://www.etsi.org/deliver/etsi_ts/125400_125499/125427/07.05.00_60/ |
| Release 8 | | | | | |
| ARIB | ARIB STD-T63-25.427 | 8.2.0 | Approved | Jul 13 | http://www.arib.or.jp/english/html/overview/doc/STD-T63v10_00/2_T63/ARIB-STD-T63/Rel8/25/A25427-820.pdf |
| ATIS | ATIS.3GPP.25.427V820-2010 | 8.2.0 | Approved | Jul 10 | https://www.atis.org/docstore/default.aspx |

| | | | | | |
|-------------------|----------------------------|--------|-----------|--------|---|
| CCSA | CCSA-TSD-TDD-25.427 | 8.2.0 | Published | Mar 10 | http://www.ccsa.org.cn/english/tc/files.php?docpath=/ITU-R/M.1457/M.1457-12/TDD |
| ETSI | ETSI TS 125 427 | 8.2.0 | Published | Jan 10 | http://www.etsi.org/deliver/etsi_ts/125400_125499/125427/08.02.00_60/ |
| Release 9 | | | | | |
| ARIB | ARIB STD-T63-25.427 | 9.0.1 | Approved | Jul 13 | http://www.arib.or.jp/english/html/overview/doc/STD-T63v10_00/2_T63/ARIB-STD-T63/Rel9/25/A25427-901.pdf |
| ATIS | ATIS.3GPP.25.427V901-2012 | 9.0.1 | Approved | Jul 12 | https://www.atis.org/docstore/default.aspx |
| CCSA | CCSA-TSD-TDD-25.427 | 9.0.1 | Published | Jun 12 | http://www.ccsa.org.cn/english/tc/files.php?docpath=/ITU-R/M.1457/M.1457-12/TDD |
| ETSI | ETSI TS 125 427 | 9.0.1 | Published | Apr 11 | http://www.etsi.org/deliver/etsi_ts/125400_125499/125427/09.00.01_60/ |
| Release 10 | | | | | |
| ARIB | ARIB STD-T63-25.427 | 10.1.0 | Approved | Jul 13 | http://www.arib.or.jp/english/html/overview/doc/STD-T63v10_00/2_T63/ARIB-STD-T63/Rel10/25/A25427-a10.pdf |
| ATIS | ATIS.3GPP.25.427V1010-2012 | 10.1.0 | Approved | Jul 12 | https://www.atis.org/docstore/default.aspx |
| CCSA | CCSA-TSD-TDD-25.427 | 10.1.0 | Published | Jun 12 | http://www.ccsa.org.cn/english/tc/files.php?docpath=/ITU-R/M.1457/M.1457-12/TDD |
| ETSI | ETSI TS 125 427 | 10.1.0 | Published | Jul 11 | http://www.etsi.org/deliver/etsi_ts/125400_125499/125427/10.01.00_60/ |
| Release 11 | | | | | |
| ARIB | ARIB STD-T63-25.427 | 11.0.0 | Approved | Jul 13 | http://www.arib.or.jp/english/html/overview/doc/STD-T63v10_00/2_T63/ARIB-STD-T63/Rel11/25/A25427-b00.pdf |
| ATIS | ATIS.3GPP.25.427V1100-2014 | 11.0.0 | Approved | May 14 | https://www.atis.org/docstore/default.aspx |
| CCSA | CCSA-TSD-TDD-25.427 | 11.0.0 | Published | Jun 14 | http://www.ccsa.org.cn/english/tc/files.php?docpath=/ITU-R/M.1457/M.1457-12/TDD |
| ETSI | ETSI TS 125 427 | 11.0.0 | Published | Nov 12 | http://www.etsi.org/deliver/etsi_ts/125400_125499/125427/11.00.00_60/ |

5.3.2.3.18 TS 25.430

UTRAN Iub Interface: general aspects and principles

This specification describes the TSG RAN TS 25.43x series of UMTS technical specifications that define the Iub interface. The Iub interface is a logical interface for the interconnection of Node B and RNC components of the UTRAN.

| SDO (2) | Document No. | Version | Status | Issued date | Location (1) |
|-------------------|---------------------------|---------|-----------|-------------|---|
| Release 99 | | | | | |
| ARIB | ARIB STD-T63-25.430 | 3.8.0 | Approved | Jul 13 | http://www.arib.or.jp/english/html/overview/doc/STD-T63v10_00/2_T63/ARIB-STD-T63/R99/25/A25430-380.pdf |
| ATIS | T1.3GPP.25.430V380-2003 | 3.8.0 | Approved | Mar 03 | https://www.atis.org/docstore/default.aspx |
| CCSA | CCSA-TSD-TDD-25.430 | 3.8.0 | Published | Jul 02 | http://www.ccsa.org.cn/english/tc/files.php?docpath=/ITU-R/M.1457/M.1457-12/TDD |
| ETSI | ETSI TS 125 430 | 3.8.0 | Published | Jul 02 | http://www.etsi.org/deliver/etsi_ts/125400_125499/125430/03.08.00_60/ |
| Release 4 | | | | | |
| ARIB | ARIB STD-T63-25.430 | 4.4.0 | Approved | Jul 13 | http://www.arib.or.jp/english/html/overview/doc/STD-T63v10_00/2_T63/ARIB-STD-T63/Rel4/25/A25430-440.pdf |
| ATIS | T1.3GPP.25.430V440-2003 | 4.4.0 | Approved | Mar 03 | https://www.atis.org/docstore/default.aspx |
| CCSA | CCSA-TSD-TDD-25.430 | 4.4.0 | Published | Oct 02 | http://www.ccsa.org.cn/english/tc/files.php?docpath=/ITU-R/M.1457/M.1457-12/TDD |
| ETSI | ETSI TS 125 430 | 4.4.0 | Published | Oct 02 | http://www.etsi.org/deliver/etsi_ts/125400_125499/125430/04.04.00_60/ |
| Release 5 | | | | | |
| ARIB | ARIB STD-T63-25.430 | 5.5.0 | Approved | Jul 13 | http://www.arib.or.jp/english/html/overview/doc/STD-T63v10_00/2_T63/ARIB-STD-T63/Rel5/25/A25430-550.pdf |
| ATIS | ATIS.3GPP.25.430V550-2006 | 5.5.0 | Approved | Apr 06 | https://www.atis.org/docstore/default.aspx |
| CCSA | CCSA-TSD-TDD-25.430 | 5.5.0 | Published | Jul 05 | http://www.ccsa.org.cn/english/tc/files.php?docpath=/ITU-R/M.1457/M.1457-12/TDD |
| ETSI | ETSI TS 125 430 | 5.5.0 | Published | Jul 05 | http://www.etsi.org/deliver/etsi_ts/125400_125499/125430/05.05.00_60/ |
| Release 6 | | | | | |
| ARIB | ARIB STD-T63-25.430 | 6.5.0 | Approved | Jul 13 | http://www.arib.or.jp/english/html/overview/doc/STD-T63v10_00/2_T63/ARIB-STD-T63/Rel6/25/A25430-650.pdf |
| ATIS | ATIS.3GPP.25.430V650-2006 | 6.5.0 | Approved | Apr 06 | https://www.atis.org/docstore/default.aspx |

| | | | | | |
|-------------------|----------------------------|--------|-----------|--------|---|
| CCSA | CCSA-TSD-TDD-25.430 | 6.5.0 | Published | Jul 05 | http://www.ccsa.org.cn/english/tc/files.php?docpath=/ITU-R/M.1457/M.1457-12/TDD |
| ETSI | ETSI TS 125 430 | 6.5.0 | Published | Jul 05 | http://www.etsi.org/deliver/etsi_ts/125400_125499/125430/06.05.00_60/ |
| Release 7 | | | | | |
| ARIB | ARIB STD-T63-25.430 | 7.5.0 | Approved | Jul 13 | http://www.arib.or.jp/english/html/overview/doc/STD-T63v10_00/2_T63/ARIB-STD-T63/Rel7/25/A25430-750.pdf |
| ATIS | ATIS.3GPP.25.430V750-2007 | 7.5.0 | Approved | Oct 07 | https://www.atis.org/docstore/default.aspx |
| CCSA | CCSA-TSD-TDD-25.430 | 7.5.0 | Published | Oct 07 | http://www.ccsa.org.cn/english/tc/files.php?docpath=/ITU-R/M.1457/M.1457-12/TDD |
| ETSI | ETSI TS 125 430 | 7.5.0 | Published | Oct 07 | http://www.etsi.org/deliver/etsi_ts/125400_125499/125430/07.05.00_60/ |
| Release 8 | | | | | |
| ARIB | ARIB STD-T63-25.430 | 8.0.0 | Approved | Jul 13 | http://www.arib.or.jp/english/html/overview/doc/STD-T63v10_00/2_T63/ARIB-STD-T63/Rel8/25/A25430-800.pdf |
| ATIS | ATIS.3GPP.25.430V800-2009 | 8.0.0 | Approved | Jul 09 | https://www.atis.org/docstore/default.aspx |
| CCSA | CCSA-TSD-TDD-25.430 | 8.0.0 | Published | Jan 09 | http://www.ccsa.org.cn/english/tc/files.php?docpath=/ITU-R/M.1457/M.1457-12/TDD |
| ETSI | ETSI TS 125 430 | 8.0.0 | Published | Jan 09 | http://www.etsi.org/deliver/etsi_ts/125400_125499/125430/08.00.00_60/ |
| Release 9 | | | | | |
| ARIB | ARIB STD-T63-25.430 | 9.0.1 | Approved | Jul 13 | http://www.arib.or.jp/english/html/overview/doc/STD-T63v10_00/2_T63/ARIB-STD-T63/Rel9/25/A25430-901.pdf |
| ATIS | ATIS.3GPP.25.430V901-2012 | 9.0.1 | Approved | Jul 12 | https://www.atis.org/docstore/default.aspx |
| CCSA | CCSA-TSD-TDD-25.430 | 9.0.1 | Published | Jun 12 | http://www.ccsa.org.cn/english/tc/files.php?docpath=/ITU-R/M.1457/M.1457-12/TDD |
| ETSI | ETSI TS 125 430 | 9.0.1 | Published | Apr 11 | http://www.etsi.org/deliver/etsi_ts/125400_125499/125430/09.00.01_60/ |
| Release 10 | | | | | |
| ARIB | ARIB STD-T63-25.430 | 10.1.0 | Approved | Jul 13 | http://www.arib.or.jp/english/html/overview/doc/STD-T63v10_00/2_T63/ARIB-STD-T63/Rel10/25/A25430-a10.pdf |
| ATIS | ATIS.3GPP.25.430V1010-2012 | 10.1.0 | Approved | Jul 12 | https://www.atis.org/docstore/default.aspx |
| CCSA | CCSA-TSD-TDD-25.430 | 10.1.0 | Published | Jun 12 | http://www.ccsa.org.cn/english/tc/files.php?docpath=/ITU-R/M.1457/M.1457-12/TDD |
| ETSI | ETSI TS 125 430 | 10.1.0 | Published | Jul 11 | http://www.etsi.org/deliver/etsi_ts/125400_125499/125430/10.01.00_60/ |
| Release 11 | | | | | |
| ARIB | ARIB STD-T63-25.430 | 11.0.0 | Approved | Jul 13 | http://www.arib.or.jp/english/html/overview/doc/STD-T63v10_00/2_T63/ARIB-STD-T63/Rel11/25/A25430-b00.pdf |
| ATIS | ATIS.3GPP.25.430V1100-2014 | 11.0.0 | Approved | May 14 | https://www.atis.org/docstore/default.aspx |
| CCSA | CCSA-TSD-TDD-25.430 | 11.0.0 | Published | Jun 14 | http://www.ccsa.org.cn/english/tc/files.php?docpath=/ITU-R/M.1457/M.1457-12/TDD |
| ETSI | ETSI TS 125 430 | 11.0.0 | Published | Oct 12 | http://www.etsi.org/deliver/etsi_ts/125400_125499/125430/11.00.00_60/ |

5.3.2.3.19 TS 25.431

UTRAN Iub interface Layer 1

This specification describes the standards allowed to implement Layer 1 on the Iub interface. The specification of transmission delay requirements and O&M requirements is not in the scope of this specification.

| SDO (2) | Document No. | Version | Status | Issued date | Location (1) |
|-------------------|-------------------------|---------|-----------|-------------|---|
| Release 99 | | | | | |
| ARIB | ARIB STD-T63-25.431 | 3.1.0 | Approved | Jul 13 | http://www.arib.or.jp/english/html/overview/doc/STD-T63v10_00/2_T63/ARIB-STD-T63/R99/25/A25431-310.pdf |
| ATIS | T1.3GPP.25.431V310-2002 | 3.1.0 | Approved | May 02 | https://www.atis.org/docstore/default.aspx |
| CCSA | CCSA-TSD-TDD-25.431 | 3.1.0 | Published | Apr 01 | http://www.ccsa.org.cn/english/tc/files.php?docpath=/ITU-R/M.1457/M.1457-12/TDD |
| ETSI | ETSI TS 125 431 | 3.1.0 | Published | Apr 01 | http://www.etsi.org/deliver/etsi_ts/125400_125499/125431/03.01.00_60/ |
| Release 4 | | | | | |
| ARIB | ARIB STD-T63-25.431 | 4.0.0 | Approved | Jul 13 | http://www.arib.or.jp/english/html/overview/doc/STD-T63v10_00/2_T63/ARIB-STD-T63/Rel4/25/A25431-400.pdf |
| ATIS | T1.3GPP.25.431V400-2002 | 4.0.0 | Approved | May 02 | https://www.atis.org/docstore/default.aspx |
| CCSA | CCSA-TSD-TDD-25.431 | 4.0.0 | Published | Apr 01 | http://www.ccsa.org.cn/english/tc/files.php?docpath=/ITU-R/M.1457/M.1457-12/TDD |

| | | | | | |
|-------------------|----------------------------|--------|-----------|--------|---|
| ETSI | ETSI TS 125 431 | 4.0.0 | Published | Apr 01 | http://www.etsi.org/deliver/etsi_ts/125400_125499/125431/04.00.00_60/ |
| Release 5 | | | | | |
| ARIB | ARIB STD-T63-25.431 | 5.0.0 | Approved | Jul 13 | http://www.arib.or.jp/english/html/overview/doc/STD-T63v10_00/2_T63/ARIB-STD-T63/Rel5/25/A25431-500.pdf |
| ATIS | T1.3GPP.25.431V500-2002 | 5.0.0 | Approved | May 02 | https://www.atis.org/docstore/default.aspx |
| CCSA | CCSA-TSD-TDD-25.431 | 5.0.0 | Published | Apr 02 | http://www.ccsa.org.cn/english/tc/files.php?docpath=/ITU-R/M.1457/M.1457-12/TDD |
| ETSI | ETSI TS 125 431 | 5.0.0 | Published | Apr 02 | http://www.etsi.org/deliver/etsi_ts/125400_125499/125431/05.00.00_60/ |
| Release 6 | | | | | |
| ARIB | ARIB STD-T63-25.431 | 6.0.0 | Approved | Jul 13 | http://www.arib.or.jp/english/html/overview/doc/STD-T63v10_00/2_T63/ARIB-STD-T63/Rel6/25/A25431-600.pdf |
| ATIS | T1.3GPP.25.431V600-2004 | 6.0.0 | Approved | May 04 | https://www.atis.org/docstore/default.aspx |
| CCSA | CCSA-TSD-TDD-25.431 | 6.0.0 | Published | Jan 04 | http://www.ccsa.org.cn/english/tc/files.php?docpath=/ITU-R/M.1457/M.1457-12/TDD |
| ETSI | ETSI TS 125 431 | 6.0.0 | Published | Jan 04 | http://www.etsi.org/deliver/etsi_ts/125400_125499/125431/06.00.00_60/ |
| Release 7 | | | | | |
| ARIB | ARIB STD-T63-25.431 | 7.0.0 | Approved | Jul 13 | http://www.arib.or.jp/english/html/overview/doc/STD-T63v10_00/2_T63/ARIB-STD-T63/Rel7/25/A25431-700.pdf |
| ATIS | ATIS.3GPP.25.431V700-2007 | 7.0.0 | Approved | Oct 07 | https://www.atis.org/docstore/default.aspx |
| CCSA | CCSA-TSD-TDD-25.431 | 7.0.0 | Published | May 06 | http://www.ccsa.org.cn/english/tc/files.php?docpath=/ITU-R/M.1457/M.1457-12/TDD |
| ETSI | ETSI TS 125 431 | 7.0.0 | Published | May 06 | http://www.etsi.org/deliver/etsi_ts/125400_125499/125431/07.00.00_60/ |
| Release 8 | | | | | |
| ARIB | ARIB STD-T63-25.431 | 8.0.0 | Approved | Jul 13 | http://www.arib.or.jp/english/html/overview/doc/STD-T63v10_00/2_T63/ARIB-STD-T63/Rel8/25/A25431-800.pdf |
| ATIS | ATIS.3GPP.25.431V800-2009 | 8.0.0 | Approved | Jul 09 | https://www.atis.org/docstore/default.aspx |
| CCSA | CCSA-TSD-TDD-25.431 | 8.0.0 | Published | Jan 09 | http://www.ccsa.org.cn/english/tc/files.php?docpath=/ITU-R/M.1457/M.1457-12/TDD |
| ETSI | ETSI TS 125 431 | 8.0.0 | Published | Jan 09 | http://www.etsi.org/deliver/etsi_ts/125400_125499/125431/08.00.00_60/ |
| Release 9 | | | | | |
| ARIB | ARIB STD-T63-25.431 | 9.0.1 | Approved | Jul 13 | http://www.arib.or.jp/english/html/overview/doc/STD-T63v10_00/2_T63/ARIB-STD-T63/Rel9/25/A25431-901.pdf |
| ATIS | ATIS.3GPP.25.431V901-2012 | 9.0.1 | Approved | Jul 12 | https://www.atis.org/docstore/default.aspx |
| CCSA | CCSA-TSD-TDD-25.431 | 9.0.1 | Published | Jun 12 | http://www.ccsa.org.cn/english/tc/files.php?docpath=/ITU-R/M.1457/M.1457-12/TDD |
| ETSI | ETSI TS 125 431 | 9.0.1 | Published | Apr 11 | http://www.etsi.org/deliver/etsi_ts/125400_125499/125431/09.00.01_60/ |
| Release 10 | | | | | |
| ARIB | ARIB STD-T63-25.431 | 10.1.0 | Approved | Jul 13 | http://www.arib.or.jp/english/html/overview/doc/STD-T63v10_00/2_T63/ARIB-STD-T63/Rel10/25/A25431-a10.pdf |
| ATIS | ATIS.3GPP.25.431V1010-2012 | 10.1.0 | Approved | Jul 12 | https://www.atis.org/docstore/default.aspx |
| CCSA | CCSA-TSD-TDD-25.431 | 10.1.0 | Published | Jun 12 | http://www.ccsa.org.cn/english/tc/files.php?docpath=/ITU-R/M.1457/M.1457-12/TDD |
| ETSI | ETSI TS 125 431 | 10.1.0 | Published | Jul 11 | http://www.etsi.org/deliver/etsi_ts/125400_125499/125431/10.01.00_60/ |
| Release 11 | | | | | |
| ARIB | ARIB STD-T63-25.431 | 11.0.0 | Approved | Jul 13 | http://www.arib.or.jp/english/html/overview/doc/STD-T63v10_00/2_T63/ARIB-STD-T63/Rel11/25/A25431-b00.pdf |
| ATIS | ATIS.3GPP.25.431V1100-2014 | 11.0.0 | Approved | May 14 | https://www.atis.org/docstore/default.aspx |
| CCSA | CCSA-TSD-TDD-25.431 | 11.0.0 | Published | Jun 14 | http://www.ccsa.org.cn/english/tc/files.php?docpath=/ITU-R/M.1457/M.1457-12/TDD |
| ETSI | ETSI TS 125 431 | 11.0.0 | Published | Oct 12 | http://www.etsi.org/deliver/etsi_ts/125400_125499/125431/11.00.00_60/ |

5.3.2.3.20 TS 25.432

UTRAN Iub interface: signalling transport

This specification describes the signalling transport related to the Node B application part (NBAP) signalling to be used across the Iub interface. The Iub interface is a logical interface for the interconnection of Node B and RNC components of the UTRAN. The RNC signalling between these nodes is based

on NBAP.

| SDO (2) | Document No. | Version | Status | Issued date | Location (1) |
|-------------------|----------------------------|---------|-----------|-------------|---|
| Release 99 | | | | | |
| ARIB | ARIB STD-T63-25.432 | 3.1.0 | Approved | Jul 13 | http://www.arib.or.jp/english/html/overview/doc/STD-T63v10_00/2_T63/ARIB-STD-T63/R99/25/A25432-310.pdf |
| ATIS | T1.3GPP.25.432V310-2002 | 3.1.0 | Approved | May 02 | https://www.atis.org/docstore/default.aspx |
| CCSA | CCSA-TSD-TDD-25.432 | 3.1.0 | Published | Feb 00 | http://www.ccsa.org.cn/english/tc/files.php?docpath=/ITU-R/M.1457/M.1457-12/TDD |
| ETSI | ETSI TS 125 432 | 3.1.0 | Published | Feb 00 | http://www.etsi.org/deliver/etsi_ts/125400_125499/125432/03.01.00_60/ |
| Release 4 | | | | | |
| ARIB | ARIB STD-T63-25.432 | 4.0.0 | Approved | Jul 13 | http://www.arib.or.jp/english/html/overview/doc/STD-T63v10_00/2_T63/ARIB-STD-T63/Rel4/25/A25432-400.pdf |
| ATIS | T1.3GPP.25.432V400-2002 | 4.0.0 | Approved | May 02 | https://www.atis.org/docstore/default.aspx |
| CCSA | CCSA-TSD-TDD-25.432 | 4.0.0 | Published | Apr 01 | http://www.ccsa.org.cn/english/tc/files.php?docpath=/ITU-R/M.1457/M.1457-12/TDD |
| ETSI | ETSI TS 125 432 | 4.0.0 | Published | Apr 01 | http://www.etsi.org/deliver/etsi_ts/125400_125499/125432/04.00.00_60/ |
| Release 5 | | | | | |
| ARIB | ARIB STD-T63-25.432 | 5.1.0 | Approved | Jul 13 | http://www.arib.or.jp/english/html/overview/doc/STD-T63v10_00/2_T63/ARIB-STD-T63/Rel5/25/A25432-510.pdf |
| ATIS | T1.3GPP.25.432V510-2003 | 5.1.0 | Approved | Mar 03 | https://www.atis.org/docstore/default.aspx |
| CCSA | CCSA-TSD-TDD-25.432 | 5.1.0 | Published | Oct 02 | http://www.ccsa.org.cn/english/tc/files.php?docpath=/ITU-R/M.1457/M.1457-12/TDD |
| ETSI | ETSI TS 125 432 | 5.1.0 | Published | Oct 02 | http://www.etsi.org/deliver/etsi_ts/125400_125499/125432/05.01.00_60/ |
| Release 6 | | | | | |
| ARIB | ARIB STD-T63-25.432 | 6.0.0 | Approved | Jul 13 | http://www.arib.or.jp/english/html/overview/doc/STD-T63v10_00/2_T63/ARIB-STD-T63/Rel6/25/A25432-600.pdf |
| ATIS | T1.3GPP.25.432V600-2004 | 6.0.0 | Approved | May 04 | https://www.atis.org/docstore/default.aspx |
| CCSA | CCSA-TSD-TDD-25.432 | 6.0.0 | Published | Jan 04 | http://www.ccsa.org.cn/english/tc/files.php?docpath=/ITU-R/M.1457/M.1457-12/TDD |
| ETSI | ETSI TS 125 432 | 6.0.0 | Published | Jan 04 | http://www.etsi.org/deliver/etsi_ts/125400_125499/125432/06.00.00_60/ |
| Release 7 | | | | | |
| ARIB | ARIB STD-T63-25.432 | 7.1.0 | Approved | Jul 13 | http://www.arib.or.jp/english/html/overview/doc/STD-T63v10_00/2_T63/ARIB-STD-T63/Rel7/25/A25432-710.pdf |
| ATIS | ATIS.3GPP.25.432V710-2004 | 7.1.0 | Approved | Oct 07 | https://www.atis.org/docstore/default.aspx |
| CCSA | CCSA-TSD-TDD-25.432 | 7.1.0 | Published | Mar 07 | http://www.ccsa.org.cn/english/tc/files.php?docpath=/ITU-R/M.1457/M.1457-12/TDD |
| ETSI | ETSI TS 125 432 | 7.1.0 | Published | Mar 07 | http://www.etsi.org/deliver/etsi_ts/125400_125499/125432/07.01.00_60/ |
| Release 8 | | | | | |
| ARIB | ARIB STD-T63-25.432 | 8.0.0 | Approved | Jul 13 | http://www.arib.or.jp/english/html/overview/doc/STD-T63v10_00/2_T63/ARIB-STD-T63/Rel8/25/A25432-800.pdf |
| ATIS | ATIS.3GPP.25.432V800-2009 | 8.0.0 | Approved | Jul 09 | https://www.atis.org/docstore/default.aspx |
| CCSA | CCSA-TSD-TDD-25.432 | 8.0.0 | Published | Jan 09 | http://www.ccsa.org.cn/english/tc/files.php?docpath=/ITU-R/M.1457/M.1457-12/TDD |
| ETSI | ETSI TS 125 432 | 8.0.0 | Published | Jan 09 | http://www.etsi.org/deliver/etsi_ts/125400_125499/125432/08.00.00_60/ |
| Release 9 | | | | | |
| ARIB | ARIB STD-T63-25.432 | 9.0.1 | Approved | Jul 13 | http://www.arib.or.jp/english/html/overview/doc/STD-T63v10_00/2_T63/ARIB-STD-T63/Rel9/25/A25432-901.pdf |
| ATIS | ATIS.3GPP.25.432V901-2012 | 9.0.1 | Approved | Jul 12 | https://www.atis.org/docstore/default.aspx |
| CCSA | CCSA-TSD-TDD-25.432 | 9.0.1 | Published | Jun 12 | http://www.ccsa.org.cn/english/tc/files.php?docpath=/ITU-R/M.1457/M.1457-12/TDD |
| ETSI | ETSI TS 125 432 | 9.0.1 | Published | Apr 11 | http://www.etsi.org/deliver/etsi_ts/125400_125499/125432/09.00.01_60/ |
| Release 10 | | | | | |
| ARIB | ARIB STD-T63-25.432 | 10.1.0 | Approved | Jul 13 | http://www.arib.or.jp/english/html/overview/doc/STD-T63v10_00/2_T63/ARIB-STD-T63/Rel10/25/A25432-a10.pdf |
| ATIS | ATIS.3GPP.25.432V1010-2012 | 10.1.0 | Approved | Jul 12 | https://www.atis.org/docstore/default.aspx |
| CCSA | CCSA-TSD-TDD-25.432 | 10.1.0 | Published | Jun 12 | http://www.ccsa.org.cn/english/tc/files.php?docpath=/ITU-R/M.1457/M.1457-12/TDD |
| ETSI | ETSI TS 125 432 | 10.1.0 | Published | Jul 11 | http://www.etsi.org/deliver/etsi_ts/125400_125499/125432/10.01.00_60/ |
| Release 11 | | | | | |

| | | | | | |
|------|----------------------------|--------|-----------|--------|---|
| ARIB | ARIB STD-T63-25.432 | 11.0.0 | Approved | Jul 13 | http://www.arib.or.jp/english/html/overview/doc/STD-T63v10_00/2_T63/ARIB-STD-T63/Rel11/25/A25432-b00.pdf |
| ATIS | ATIS.3GPP.25.432V1100-2014 | 11.0.0 | Approved | May 14 | https://www.atis.org/docstore/default.aspx |
| CCSA | CCSA-TSD-TDD-25.432 | 11.0.0 | Published | Jun 14 | http://www.ccsa.org.cn/english/tc/files.php?docpath=/ITU-R/M.1457/M.1457-12/TDD |
| ETSI | ETSI TS 125 432 | 11.0.0 | Published | Oct 12 | http://www.etsi.org/deliver/etsi_ts/125400_125499/125432/11.00.00_60/ |

5.3.2.3.21 TS 25.433

UTRAN Iub interface Node B Application Part (NBAP) signalling

This specification describes the standards for NBAP specification to be used over Iub interface.

| SDO (2) | Document No. | Version | Status | Issued date | Location (1) |
|-------------------|----------------------------|---------|-----------|-------------|---|
| Release 99 | | | | | |
| ARIB | ARIB STD-T63-25.433 | 3.14.2 | Approved | Jul 13 | http://www.arib.or.jp/english/html/overview/doc/STD-T63v10_00/2_T63/ARIB-STD-T63/R99/25/A25433-3e2.pdf |
| ATIS | ATIS.3GPP.25.433V3142-2005 | 3.14.2 | Approved | Apr 05 | https://www.atis.org/docstore/default.aspx |
| CCSA | CCSA-TSD-TDD-25.433 | 3.14.2 | Published | Oct 04 | http://www.ccsa.org.cn/english/tc/files.php?docpath=/ITU-R/M.1457/M.1457-12/TDD |
| ETSI | ETSI TS 125 433 | 3.14.2 | Published | Oct 04 | http://www.etsi.org/deliver/etsi_ts/125400_125499/125433/03.14.02_60/ |
| Release 4 | | | | | |
| ARIB | ARIB STD-T63-25.433 | 4.13.0 | Approved | Jul 13 | http://www.arib.or.jp/english/html/overview/doc/STD-T63v10_00/2_T63/ARIB-STD-T63/Rel4/25/A25433-4d0.pdf |
| ATIS | ATIS.3GPP.25.433V4130-2005 | 4.13.0 | Approved | Apr 05 | https://www.atis.org/docstore/default.aspx |
| CCSA | CCSA-TSD-TDD-25.433 | 4.13.0 | Published | Oct 04 | http://www.ccsa.org.cn/english/tc/files.php?docpath=/ITU-R/M.1457/M.1457-12/TDD |
| ETSI | ETSI TS 125 433 | 4.13.0 | Published | Oct 04 | http://www.etsi.org/deliver/etsi_ts/125400_125499/125433/04.13.00_60/ |
| Release 5 | | | | | |
| ARIB | ARIB STD-T63-25.433 | 5.16.0 | Approved | Jul 13 | http://www.arib.or.jp/english/html/overview/doc/STD-T63v10_00/2_T63/ARIB-STD-T63/Rel5/25/A25433-5g0.pdf |
| ATIS | ATIS.3GPP.25.433V5160-2007 | 5.16.0 | Approved | Oct 07 | https://www.atis.org/docstore/default.aspx |
| CCSA | CCSA-TSD-TDD-25.433 | 5.16.0 | Published | Oct 06 | http://www.ccsa.org.cn/english/tc/files.php?docpath=/ITU-R/M.1457/M.1457-12/TDD |
| ETSI | ETSI TS 125 433 | 5.16.0 | Published | Oct 06 | http://www.etsi.org/deliver/etsi_ts/125400_125499/125433/05.16.00_60/ |
| Release 6 | | | | | |
| ARIB | ARIB STD-T63-25.433 | 6.17.0 | Approved | Jul 13 | http://www.arib.or.jp/english/html/overview/doc/STD-T63v10_00/2_T63/ARIB-STD-T63/Rel6/25/A25433-6h0.pdf |
| ATIS | ATIS.3GPP.25.433V6170-2008 | 6.17.0 | Approved | Oct 08 | https://www.atis.org/docstore/default.aspx |
| CCSA | CCSA-TSD-TDD-25.433 | 6.17.0 | Published | Jul 08 | http://www.ccsa.org.cn/english/tc/files.php?docpath=/ITU-R/M.1457/M.1457-12/TDD |
| ETSI | ETSI TS 125 433 | 6.17.0 | Published | Jul 08 | http://www.etsi.org/deliver/etsi_ts/125400_125499/125433/06.17.00_60/ |
| Release 7 | | | | | |
| ARIB | ARIB STD-T63-25.433 | 7.16.0 | Approved | Jul 13 | http://www.arib.or.jp/english/html/overview/doc/STD-T63v10_00/2_T63/ARIB-STD-T63/Rel7/25/A25433-7g0.pdf |
| ATIS | ATIS.3GPP.25.433V7160-2010 | 7.16.0 | Approved | Jul 10 | https://www.atis.org/docstore/default.aspx |
| CCSA | CCSA-TSD-TDD-25.433 | 7.16.0 | Published | Jun 12 | http://www.ccsa.org.cn/english/tc/files.php?docpath=/ITU-R/M.1457/M.1457-12/TDD |
| ETSI | ETSI TS 125 433 | 7.16.0 | Published | May 10 | http://www.etsi.org/deliver/etsi_ts/125400_125499/125433/07.16.00_60/ |
| Release 8 | | | | | |
| ARIB | ARIB STD-T63-25.433 | 8.13.0 | Approved | Jul 13 | http://www.arib.or.jp/english/html/overview/doc/STD-T63v10_00/2_T63/ARIB-STD-T63/Rel8/25/A25433-8d0.pdf |
| ATIS | ATIS.3GPP.25.433V8120-2012 | 8.12.0 | Approved | Jul 12 | https://www.atis.org/docstore/default.aspx |
| CCSA | CCSA-TSD-TDD-25.433 | 8.12.0 | Published | Jun 12 | http://www.ccsa.org.cn/english/tc/files.php?docpath=/ITU-R/M.1457/M.1457-12/TDD |
| ETSI | ETSI TS 125 433 | 8.13.0 | Published | Jan 13 | http://www.etsi.org/deliver/etsi_ts/125400_125499/125433/08.13.00_60/ |
| Release 9 | | | | | |
| ARIB | ARIB STD-T63-25.433 | 9.9.0 | Approved | Jul 13 | http://www.arib.or.jp/english/html/overview/doc/STD-T63v10_00/2_T63/ARIB-STD-T63/Rel9/25/A25433-990.pdf |

| | | | | | |
|-------------------|----------------------------|--------|-----------|--------|---|
| ATIS | ATIS.3GPP.25.433V990-2014 | 9.9.0 | Approved | May 14 | https://www.atis.org/docstore/default.aspx |
| CCSA | CCSA-TSD-TDD-25.433 | 9.8.0 | Published | Jun 12 | http://www.ccsa.org.cn/english/tc/files.php?docpath=/ITU-R/M.1457/M.1457-12/TDD |
| ETSI | ETSI TS 125 433 | 9.9.0 | Published | Jan 13 | http://www.etsi.org/deliver/etsi_ts/125400_125499/125433/09.09.00_60/ |
| Release 10 | | | | | |
| ARIB | ARIB STD-T63-25.433 | 10.9.0 | Approved | Jul 13 | http://www.arib.or.jp/english/html/overview/doc/STD-T63v10_00/2_T63/ARIB-STD-T63/Rel10/25/A25433-a90.pdf |
| ATIS | ATIS.3GPP.25.433V1090-2014 | 10.9.0 | Approved | May 14 | https://www.atis.org/docstore/default.aspx |
| CCSA | CCSA-TSD-TDD-25.433 | 10.5.0 | Published | Jun 12 | http://www.ccsa.org.cn/english/tc/files.php?docpath=/ITU-R/M.1457/M.1457-12/TDD |
| ETSI | ETSI TS 125 433 | 10.9.0 | Published | Apr 13 | http://www.etsi.org/deliver/etsi_ts/125400_125499/125433/10.09.00_60/ |
| Release 11 | | | | | |
| ARIB | ARIB STD-T63-25.433 | 11.4.0 | Approved | Jul 13 | http://www.arib.or.jp/english/html/overview/doc/STD-T63v10_00/2_T63/ARIB-STD-T63/Rel11/25/A25433-b40.pdf |
| ATIS | ATIS.3GPP.25.433V1140-2014 | 11.4.0 | Approved | May 14 | https://www.atis.org/docstore/default.aspx |
| CCSA | CCSA-TSD-TDD-25.433 | 11.7.0 | Published | Jun 14 | http://www.ccsa.org.cn/english/tc/files.php?docpath=/ITU-R/M.1457/M.1457-12/TDD |
| ETSI | ETSI TS 125 433 | 11.4.0 | Published | Apr 13 | http://www.etsi.org/deliver/etsi_ts/125400_125499/125433/11.04.00_60/ |

5.3.2.3.22 TS 25.434

UTRAN Iub interface data transport and transport signalling for Common Transport Channel data streams

This specification describes the UTRAN RNC-Node B (Iub) interface data transport and transport signalling for CCH data streams.

| SDO (2) | Document No. | Version | Status | Issued date | Location (1) |
|-------------------|---------------------------|---------|-----------|-------------|---|
| Release 99 | | | | | |
| ARIB | ARIB STD-T63-25.434 | 3.8.0 | Approved | Jul 13 | http://www.arib.or.jp/english/html/overview/doc/STD-T63v10_00/2_T63/ARIB-STD-T63/R99/25/A25434-380.pdf |
| ATIS | T1.3GPP.25.434V380-2003 | 3.8.0 | Approved | Mar 03 | https://www.atis.org/docstore/default.aspx |
| CCSA | CCSA-TSD-TDD-25.434 | 3.8.0 | Published | Jul 02 | http://www.ccsa.org.cn/english/tc/files.php?docpath=/ITU-R/M.1457/M.1457-12/TDD |
| ETSI | ETSI TS 125 434 | 3.8.0 | Published | Jul 02 | http://www.etsi.org/deliver/etsi_ts/125400_125499/125434/03.08.00_60/ |
| Release 4 | | | | | |
| ARIB | ARIB STD-T63-25.434 | 4.4.0 | Approved | Jul 13 | http://www.arib.or.jp/english/html/overview/doc/STD-T63v10_00/2_T63/ARIB-STD-T63/Rel4/25/A25434-440.pdf |
| ATIS | T1.3GPP.25.434V440-2003 | 4.4.0 | Approved | Mar 03 | https://www.atis.org/docstore/default.aspx |
| CCSA | CCSA-TSD-TDD-25.434 | 4.4.0 | Published | Jul 02 | http://www.ccsa.org.cn/english/tc/files.php?docpath=/ITU-R/M.1457/M.1457-12/TDD |
| ETSI | ETSI TS 125 434 | 4.4.0 | Published | Jul 02 | http://www.etsi.org/deliver/etsi_ts/125400_125499/125434/04.04.00_60/ |
| Release 5 | | | | | |
| ARIB | ARIB STD-T63-25.434 | 5.5.0 | Approved | Jul 13 | http://www.arib.or.jp/english/html/overview/doc/STD-T63v10_00/2_T63/ARIB-STD-T63/Rel5/25/A25434-550.pdf |
| ATIS | ATIS.3GPP.25.434V550-2006 | 5.5.0 | Approved | Apr 06 | https://www.atis.org/docstore/default.aspx |
| CCSA | CCSA-TSD-TDD-25.434 | 5.5.0 | Published | Jul 05 | http://www.ccsa.org.cn/english/tc/files.php?docpath=/ITU-R/M.1457/M.1457-12/TDD |
| ETSI | ETSI TS 125 434 | 5.5.0 | Published | Jul 05 | http://www.etsi.org/deliver/etsi_ts/125400_125499/125434/05.05.00_60/ |
| Release 6 | | | | | |
| ARIB | ARIB STD-T63-25.434 | 6.2.0 | Approved | Jul 13 | http://www.arib.or.jp/english/html/overview/doc/STD-T63v10_00/2_T63/ARIB-STD-T63/Rel6/25/A25434-620.pdf |
| ATIS | ATIS.3GPP.25.434V620-2006 | 6.2.0 | Approved | Apr 06 | https://www.atis.org/docstore/default.aspx |
| CCSA | CCSA-TSD-TDD-25.434 | 6.2.0 | Published | Jul 05 | http://www.ccsa.org.cn/english/tc/files.php?docpath=/ITU-R/M.1457/M.1457-12/TDD |
| ETSI | ETSI TS 125 434 | 6.2.0 | Published | Jul 05 | http://www.etsi.org/deliver/etsi_ts/125400_125499/125434/06.02.00_60/ |
| Release 7 | | | | | |

| | | | | | |
|-------------------|----------------------------|--------|-----------|--------|---|
| ARIB | ARIB STD-T63-25.434 | 7.2.0 | Approved | Jul 13 | http://www.arib.or.jp/english/html/overview/doc/STD-T63v10_00/2_T63/ARIB-STD-T63/Rel7/25/A25434-720.pdf |
| ATIS | ATIS.3GPP.25.434V720-2008 | 7.2.0 | Approved | Oct 08 | https://www.atis.org/docstore/default.aspx |
| CCSA | CCSA-TSD-TDD-25.434 | 7.2.0 | Published | Jan 08 | http://www.ccsa.org.cn/english/tc/files.php?docpath=/ITU-R/M.1457/M.1457-12/TDD |
| ETSI | ETSI TS 125 434 | 7.2.0 | Published | Jan 08 | http://www.etsi.org/deliver/etsi_ts/125400_125499/125434/07.02.00_60/ |
| Release 8 | | | | | |
| ARIB | ARIB STD-T63-25.434 | 8.0.0 | Approved | Jul 13 | http://www.arib.or.jp/english/html/overview/doc/STD-T63v10_00/2_T63/ARIB-STD-T63/Rel8/25/A25434-800.pdf |
| ATIS | ATIS.3GPP.25.434V800-2009 | 8.0.0 | Approved | Jul 09 | https://www.atis.org/docstore/default.aspx |
| CCSA | CCSA-TSD-TDD-25.434 | 8.0.0 | Published | Jan 09 | http://www.ccsa.org.cn/english/tc/files.php?docpath=/ITU-R/M.1457/M.1457-12/TDD |
| ETSI | ETSI TS 125 434 | 8.0.0 | Published | Jan 09 | http://www.etsi.org/deliver/etsi_ts/125400_125499/125434/08.00.00_60/ |
| Release 9 | | | | | |
| ARIB | ARIB STD-T63-25.434 | 9.0.1 | Approved | Jul 13 | http://www.arib.or.jp/english/html/overview/doc/STD-T63v10_00/2_T63/ARIB-STD-T63/Rel9/25/A25434-901.pdf |
| ATIS | ATIS.3GPP.25.434V901-2012 | 9.0.1 | Approved | Jul 12 | https://www.atis.org/docstore/default.aspx |
| CCSA | CCSA-TSD-TDD-25.434 | 9.0.1 | Published | Jun 12 | http://www.ccsa.org.cn/english/tc/files.php?docpath=/ITU-R/M.1457/M.1457-12/TDD |
| ETSI | ETSI TS 125 434 | 9.0.1 | Published | Apr 11 | http://www.etsi.org/deliver/etsi_ts/125400_125499/125434/09.00.01_60/ |
| Release 10 | | | | | |
| ARIB | ARIB STD-T63-25.434 | 10.1.0 | Approved | Jul 13 | http://www.arib.or.jp/english/html/overview/doc/STD-T63v10_00/2_T63/ARIB-STD-T63/Rel10/25/A25434-a10.pdf |
| ATIS | ATIS.3GPP.25.434V1010-2012 | 10.1.0 | Approved | Jul 12 | https://www.atis.org/docstore/default.aspx |
| CCSA | CCSA-TSD-TDD-25.434 | 10.1.0 | Published | Jun 12 | http://www.ccsa.org.cn/english/tc/files.php?docpath=/ITU-R/M.1457/M.1457-12/TDD |
| ETSI | ETSI TS 125 434 | 10.1.0 | Published | Jul 11 | http://www.etsi.org/deliver/etsi_ts/125400_125499/125434/10.01.00_60/ |
| Release 11 | | | | | |
| ARIB | ARIB STD-T63-25.434 | 11.0.0 | Approved | Jul 13 | http://www.arib.or.jp/english/html/overview/doc/STD-T63v10_00/2_T63/ARIB-STD-T63/Rel11/25/A25434-b00.pdf |
| ATIS | ATIS.3GPP.25.434V1100-2014 | 11.0.0 | Approved | May 14 | https://www.atis.org/docstore/default.aspx |
| CCSA | CCSA-TSD-TDD-25.434 | 11.0.0 | Published | Jun 14 | http://www.ccsa.org.cn/english/tc/files.php?docpath=/ITU-R/M.1457/M.1457-12/TDD |
| ETSI | ETSI TS 125 434 | 11.0.0 | Published | Oct 12 | http://www.etsi.org/deliver/etsi_ts/125400_125499/125434/11.00.00_60/ |

5.3.2.3.23 TS 25.435

UTRAN Iub interface user plane protocols for Common Transport Channel data streams

This specification describes the UTRAN RNC-Node B (Iub) interface user plane protocols for common transport channel data streams.

| SDO (2) | Document No. | Version | Status | Issued date | Location (1) |
|-------------------|--------------------------|---------|-----------|-------------|---|
| Release 99 | | | | | |
| ARIB | ARIB STD-T63-25.435 | 3.11.0 | Approved | Jul 13 | http://www.arib.or.jp/english/html/overview/doc/STD-T63v10_00/2_T63/ARIB-STD-T63/R99/25/A25435-3b0.pdf |
| ATIS | T1.3GPP.25.435V3110-2004 | 3.11.0 | Approved | May 04 | https://www.atis.org/docstore/default.aspx |
| CCSA | CCSA-TSD-TDD-25.435 | 3.11.0 | Published | Jan 04 | http://www.ccsa.org.cn/english/tc/files.php?docpath=/ITU-R/M.1457/M.1457-12/TDD |
| ETSI | ETSI TS 125 435 | 3.11.0 | Published | Jan 04 | http://www.etsi.org/deliver/etsi_ts/125400_125499/125435/03.11.00_60/ |
| Release 4 | | | | | |
| ARIB | ARIB STD-T63-25.435 | 4.6.0 | Approved | Jul 13 | http://www.arib.or.jp/english/html/overview/doc/STD-T63v10_00/2_T63/ARIB-STD-T63/Rel4/25/A25435-460.pdf |
| ATIS | T1.3GPP.25.435V460-2004 | 4.6.0 | Approved | May 04 | https://www.atis.org/docstore/default.aspx |
| CCSA | CCSA-TSD-TDD-25.435 | 4.6.0 | Published | Jan 04 | http://www.ccsa.org.cn/english/tc/files.php?docpath=/ITU-R/M.1457/M.1457-12/TDD |
| ETSI | ETSI TS 125 435 | 4.6.0 | Published | Jan 04 | http://www.etsi.org/deliver/etsi_ts/125400_125499/125435/04.06.00_60/ |
| Release 5 | | | | | |
| ARIB | ARIB STD-T63-25.435 | 5.9.0 | Approved | Jul 13 | http://www.arib.or.jp/english/html/overview/doc/STD-T63v10_00/2_T63/ARIB-STD-T63/Rel5/25/A25435-590.pdf |

| | | | | | |
|-------------------|----------------------------|--------|-----------|--------|---|
| ATIS | ATIS.3GPP.25.435V590-2007 | 5.9.0 | Approved | Oct 07 | https://www.atis.org/docstore/default.aspx |
| CCSA | CCSA-TSD-TDD-25.435 | 5.9.0 | Published | Oct 06 | http://www.ccsa.org.cn/english/tc/files.php?docpath=/ITU-R/M.1457/M.1457-12/TDD |
| ETSI | ETSI TS 125 435 | 5.9.0 | Published | Oct 06 | http://www.etsi.org/deliver/etsi_ts/125400_125499/125435/05.09.00_60/ |
| Release 6 | | | | | |
| ARIB | ARIB STD-T63-25.435 | 6.5.0 | Approved | Jul 13 | http://www.arib.or.jp/english/html/overview/doc/STD-T63v10_00/2_T63/ARIB-STD-T63/Rel6/25/A25435-650.pdf |
| ATIS | ATIS.3GPP.25.435V650-2009 | 6.5.0 | Approved | Jul 09 | https://www.atis.org/docstore/default.aspx |
| CCSA | CCSA-TSD-TDD-25.435 | 6.5.0 | Published | Oct 08 | http://www.ccsa.org.cn/english/tc/files.php?docpath=/ITU-R/M.1457/M.1457-12/TDD |
| ETSI | ETSI TS 125 435 | 6.5.0 | Published | Oct 08 | http://www.etsi.org/deliver/etsi_ts/125400_125499/125435/06.05.00_60/ |
| Release 7 | | | | | |
| ARIB | ARIB STD-T63-25.435 | 7.12.0 | Approved | Jul 13 | http://www.arib.or.jp/english/html/overview/doc/STD-T63v10_00/2_T63/ARIB-STD-T63/Rel7/25/A25435-7c0.pdf |
| ATIS | ATIS.3GPP.25.435V7120-2010 | 7.12.0 | Approved | Jul 10 | https://www.atis.org/docstore/default.aspx |
| CCSA | CCSA-TSD-TDD-25.435 | 7.12.0 | Published | Mar 10 | http://www.ccsa.org.cn/english/tc/files.php?docpath=/ITU-R/M.1457/M.1457-12/TDD |
| ETSI | ETSI TS 125 435 | 7.12.0 | Published | Jul 09 | http://www.etsi.org/deliver/etsi_ts/125400_125499/125435/07.12.00_60/ |
| Release 8 | | | | | |
| ARIB | ARIB STD-T63-25.435 | 8.7.0 | Approved | Jul 13 | http://www.arib.or.jp/english/html/overview/doc/STD-T63v10_00/2_T63/ARIB-STD-T63/Rel8/25/A25435-870.pdf |
| ATIS | ATIS.3GPP.25.435V870-2012 | 8.7.0 | Approved | Jul 12 | https://www.atis.org/docstore/default.aspx |
| CCSA | CCSA-TSD-TDD-25.435 | 8.7.0 | Published | Jun 12 | http://www.ccsa.org.cn/english/tc/files.php?docpath=/ITU-R/M.1457/M.1457-12/TDD |
| ETSI | ETSI TS 125 435 | 8.7.0 | Published | Jul 11 | http://www.etsi.org/deliver/etsi_ts/125400_125499/125435/08.07.00_60/ |
| Release 9 | | | | | |
| ARIB | ARIB STD-T63-25.435 | 9.5.0 | Approved | Jul 13 | http://www.arib.or.jp/english/html/overview/doc/STD-T63v10_00/2_T63/ARIB-STD-T63/Rel9/25/A25435-950.pdf |
| ATIS | ATIS.3GPP.25.435V950-2014 | 9.5.0 | Approved | May 14 | https://www.atis.org/docstore/default.aspx |
| CCSA | CCSA-TSD-TDD-25.435 | 9.5.0 | Published | Jun 12 | http://www.ccsa.org.cn/english/tc/files.php?docpath=/ITU-R/M.1457/M.1457-12/TDD |
| ETSI | ETSI TS 125 435 | 9.5.0 | Published | Jan 12 | http://www.etsi.org/deliver/etsi_ts/125400_125499/125435/09.05.00_60/ |
| Release 10 | | | | | |
| ARIB | ARIB STD-T63-25.435 | 10.5.0 | Approved | Jul 13 | http://www.arib.or.jp/english/html/overview/doc/STD-T63v10_00/2_T63/ARIB-STD-T63/Rel10/25/A25435-a50.pdf |
| ATIS | ATIS.3GPP.25.435V1050-2014 | 10.5.0 | Approved | May 14 | https://www.atis.org/docstore/default.aspx |
| CCSA | CCSA-TSD-TDD-25.435 | 10.4.0 | Published | Jun 12 | http://www.ccsa.org.cn/english/tc/files.php?docpath=/ITU-R/M.1457/M.1457-12/TDD |
| ETSI | ETSI TS 125 435 | 10.5.0 | Published | Jan 13 | http://www.etsi.org/deliver/etsi_ts/125400_125499/125435/10.05.00_60/ |
| Release 11 | | | | | |
| ARIB | ARIB STD-T63-25.435 | 11.2.0 | Approved | Jul 13 | http://www.arib.or.jp/english/html/overview/doc/STD-T63v10_00/2_T63/ARIB-STD-T63/Rel11/25/A25435-b20.pdf |
| ATIS | ATIS.3GPP.25.435V1120-2014 | 11.2.0 | Approved | May 14 | https://www.atis.org/docstore/default.aspx |
| CCSA | CCSA-TSD-TDD-25.435 | 11.2.0 | Published | Jun 14 | http://www.ccsa.org.cn/english/tc/files.php?docpath=/ITU-R/M.1457/M.1457-12/TDD |
| ETSI | ETSI TS 125 435 | 11.2.0 | Published | Apr 13 | http://www.etsi.org/deliver/etsi_ts/125400_125499/125435/11.02.00_60/ |

5.3.2.3.24 TS 25.442

UTRAN implementation-specific O&M transport

This specification describes the transport of implementation specific O&M signalling between Node B and the management platform in case that the transport is routed via the RNC.

| SDO (2) | Document No. | Version | Status | Issued date | Location (1) |
|---------|--------------|---------|--------|-------------|--------------|
|---------|--------------|---------|--------|-------------|--------------|

Release 99

| | | | | | |
|-------------------|----------------------------|--------|-----------|--------|---|
| ARIB | ARIB STD-T63-25.442 | 3.1.0 | Approved | Jul 13 | http://www.arib.or.jp/english/html/overview/doc/STD-T63v10_00/2_T63/ARIB-STD-T63/R99/25/A25442-310.pdf |
| ATIS | T1.3GPP.25.442V310-2002 | 3.1.0 | Approved | May 02 | https://www.atis.org/docstore/default.aspx |
| CCSA | CCSA-TSD-TDD-25.442 | 3.1.0 | Published | May 00 | http://www.ccsa.org.cn/english/tc/files.php?docpath=/ITU-R/M.1457/M.1457-12/TDD |
| ETSI | ETSI TS 125 442 | 3.1.0 | Published | May 00 | http://www.etsi.org/deliver/etsi_ts/125400_125499/125442/03.01.00_60/ |
| Release 4 | | | | | |
| ARIB | ARIB STD-T63-25.442 | 4.0.0 | Approved | Jul 13 | http://www.arib.or.jp/english/html/overview/doc/STD-T63v10_00/2_T63/ARIB-STD-T63/Rel4/25/A25442-400.pdf |
| ATIS | T1.3GPP.25.442V400-2002 | 4.0.0 | Approved | May 02 | https://www.atis.org/docstore/default.aspx |
| CCSA | CCSA-TSD-TDD-25.442 | 4.0.0 | Published | Apr 01 | http://www.ccsa.org.cn/english/tc/files.php?docpath=/ITU-R/M.1457/M.1457-12/TDD |
| ETSI | ETSI TS 125 442 | 4.0.0 | Published | Apr 01 | http://www.etsi.org/deliver/etsi_ts/125400_125499/125442/04.00.00_60/ |
| Release 5 | | | | | |
| ARIB | ARIB STD-T63-25.442 | 5.1.0 | Approved | Jul 13 | http://www.arib.or.jp/english/html/overview/doc/STD-T63v10_00/2_T63/ARIB-STD-T63/Rel5/25/A25442-510.pdf |
| ATIS | T1.3GPP.25.442V510-2003 | 5.1.0 | Approved | Mar 03 | https://www.atis.org/docstore/default.aspx |
| CCSA | CCSA-TSD-TDD-25.442 | 5.1.0 | Published | Oct 02 | http://www.ccsa.org.cn/english/tc/files.php?docpath=/ITU-R/M.1457/M.1457-12/TDD |
| ETSI | ETSI TS 125 442 | 5.1.0 | Published | Oct 02 | http://www.etsi.org/deliver/etsi_ts/125400_125499/125442/05.01.00_60/ |
| Release 6 | | | | | |
| ARIB | ARIB STD-T63-25.442 | 6.0.0 | Approved | Jul 13 | http://www.arib.or.jp/english/html/overview/doc/STD-T63v10_00/2_T63/ARIB-STD-T63/Rel6/25/A25442-600.pdf |
| ATIS | T1.3GPP.25.442V600-2004 | 6.0.0 | Approved | May 04 | https://www.atis.org/docstore/default.aspx |
| CCSA | CCSA-TSD-TDD-25.442 | 6.0.0 | Published | Jan 04 | http://www.ccsa.org.cn/english/tc/files.php?docpath=/ITU-R/M.1457/M.1457-12/TDD |
| ETSI | ETSI TS 125 442 | 6.0.0 | Published | Jan 04 | http://www.etsi.org/deliver/etsi_ts/125400_125499/125442/06.00.00_60/ |
| Release 7 | | | | | |
| ARIB | ARIB STD-T63-25.442 | 7.0.0 | Approved | Jul 13 | http://www.arib.or.jp/english/html/overview/doc/STD-T63v10_00/2_T63/ARIB-STD-T63/Rel7/25/A25442-700.pdf |
| ATIS | ATIS.3GPP.25.442V700-2007 | 7.0.0 | Approved | Oct 07 | https://www.atis.org/docstore/default.aspx |
| CCSA | CCSA-TSD-TDD-25.442 | 7.0.0 | Published | May 06 | http://www.ccsa.org.cn/english/tc/files.php?docpath=/ITU-R/M.1457/M.1457-12/TDD |
| ETSI | ETSI TS 125 442 | 7.0.0 | Published | May 06 | http://www.etsi.org/deliver/etsi_ts/125400_125499/125442/07.00.00_60/ |
| Release 8 | | | | | |
| ARIB | ARIB STD-T63-25.442 | 8.0.0 | Approved | Jul 13 | http://www.arib.or.jp/english/html/overview/doc/STD-T63v10_00/2_T63/ARIB-STD-T63/Rel8/25/A25442-800.pdf |
| ATIS | ATIS.3GPP.25.442V800-2009 | 8.0.0 | Approved | Jul 09 | https://www.atis.org/docstore/default.aspx |
| CCSA | CCSA-TSD-TDD-25.442 | 8.0.0 | Published | Jan 09 | http://www.ccsa.org.cn/english/tc/files.php?docpath=/ITU-R/M.1457/M.1457-12/TDD |
| ETSI | ETSI TS 125 442 | 8.0.0 | Published | Jan 09 | http://www.etsi.org/deliver/etsi_ts/125400_125499/125442/08.00.00_60/ |
| Release 9 | | | | | |
| ARIB | ARIB STD-T63-25.442 | 9.0.1 | Approved | Jul 13 | http://www.arib.or.jp/english/html/overview/doc/STD-T63v10_00/2_T63/ARIB-STD-T63/Rel9/25/A25442-901.pdf |
| ATIS | ATIS.3GPP.25.442V901-2012 | 9.0.1 | Approved | Jul 12 | https://www.atis.org/docstore/default.aspx |
| CCSA | CCSA-TSD-TDD-25.442 | 9.0.1 | Published | Jun 12 | http://www.ccsa.org.cn/english/tc/files.php?docpath=/ITU-R/M.1457/M.1457-12/TDD |
| ETSI | ETSI TS 125 442 | 9.0.1 | Published | May 11 | http://www.etsi.org/deliver/etsi_ts/125400_125499/125442/09.00.01_60/ |
| Release 10 | | | | | |
| ARIB | ARIB STD-T63-25.442 | 10.1.0 | Approved | Jul 13 | http://www.arib.or.jp/english/html/overview/doc/STD-T63v10_00/2_T63/ARIB-STD-T63/Rel10/25/A25442-a10.pdf |
| ATIS | ATIS.3GPP.25.442V1010-2012 | 10.1.0 | Approved | Jul 12 | https://www.atis.org/docstore/default.aspx |
| CCSA | CCSA-TSD-TDD-25.442 | 10.1.0 | Published | Jun 12 | http://www.ccsa.org.cn/english/tc/files.php?docpath=/ITU-R/M.1457/M.1457-12/TDD |
| ETSI | ETSI TS 125 442 | 10.1.0 | Published | Jul 11 | http://www.etsi.org/deliver/etsi_ts/125400_125499/125442/10.01.00_60/ |
| Release 11 | | | | | |
| ARIB | ARIB STD-T63-25.442 | 11.0.0 | Approved | Jul 13 | http://www.arib.or.jp/english/html/overview/doc/STD-T63v10_00/2_T63/ARIB-STD-T63/Rel11/25/A25442-b00.pdf |
| ATIS | ATIS.3GPP.25.442V1100-2014 | 11.0.0 | Approved | May 14 | https://www.atis.org/docstore/default.aspx |
| CCSA | CCSA-TSD-TDD-25.442 | 11.0.0 | Published | Jun 14 | http://www.ccsa.org.cn/english/tc/files.php?docpath=/ITU-R/M.1457/M.1457-12/TDD |

ETSI ETSI TS 125 442 11.0.0 Published Oct 12 http://www.etsi.org/deliver/etsi_ts/125400_125499/125442/11.00.00_60/

5.3.2.3.25 TS 25.450

UTRAN Iupc interface general aspects and principles

This document is an introduction to the TSG RAN TS 25.45z series of UMTS Technical Specifications that define the Iupc Interface. The Iupc interface is a logical interface for the interconnection of Standalone SMLC (SAS) and Radio Network Controller (RNC) components of the Universal Terrestrial Radio Access Network (UTRAN) for the UMTS system.

| SDO (2) | Document No. | Version | Status | Issued date | Location (1) |
|-------------------|----------------------------|---------|-----------|-------------|---|
| Release 5 | | | | | |
| ARIB | ARIB STD-T63-25.450 | 5.2.0 | Approved | Jul 13 | http://www.arib.or.jp/english/html/overview/doc/STD-T63v10_00/2_T63/ARIB-STD-T63/Rel5/25/A25450-520.pdf |
| ATIS | ATIS.3GPP.25.450V520-2006 | 5.2.0 | Approved | Apr 06 | https://www.atis.org/docstore/default.aspx |
| CCSA | CCSA-TSD-TDD-25.450 | 5.2.0 | Published | Jul 05 | http://www.ccsa.org.cn/english/tc/files.php?docpath=/ITU-R/M.1457/M.1457-12/TDD |
| ETSI | ETSI TS 125 450 | 5.2.0 | Published | Jul 05 | http://www.etsi.org/deliver/etsi_ts/125400_125499/125450/05.02.00_60/ |
| Release 6 | | | | | |
| ARIB | ARIB STD-T63-25.450 | 6.2.0 | Approved | Jul 13 | http://www.arib.or.jp/english/html/overview/doc/STD-T63v10_00/2_T63/ARIB-STD-T63/Rel6/25/A25450-620.pdf |
| ATIS | ATIS.3GPP.25.450V620-2006 | 6.2.0 | Approved | Apr 06 | https://www.atis.org/docstore/default.aspx |
| CCSA | CCSA-TSD-TDD-25.450 | 6.2.0 | Published | Oct 05 | http://www.ccsa.org.cn/english/tc/files.php?docpath=/ITU-R/M.1457/M.1457-12/TDD |
| ETSI | ETSI TS 125 450 | 6.2.0 | Published | Oct 05 | http://www.etsi.org/deliver/etsi_ts/125400_125499/125450/06.02.00_60/ |
| Release 7 | | | | | |
| ARIB | ARIB STD-T63-25.450 | 7.2.0 | Approved | Jul 13 | http://www.arib.or.jp/english/html/overview/doc/STD-T63v10_00/2_T63/ARIB-STD-T63/Rel7/25/A25450-720.pdf |
| ATIS | ATIS.3GPP.25.450V720-2007 | 7.2.0 | Approved | Oct 07 | https://www.atis.org/docstore/default.aspx |
| CCSA | CCSA-TSD-TDD-25.450 | 7.2.0 | Published | Oct 07 | http://www.ccsa.org.cn/english/tc/files.php?docpath=/ITU-R/M.1457/M.1457-12/TDD |
| ETSI | ETSI TS 125 450 | 7.2.0 | Published | Oct 07 | http://www.etsi.org/deliver/etsi_ts/125400_125499/125450/07.02.00_60/ |
| Release 8 | | | | | |
| ARIB | ARIB STD-T63-25.450 | 8.0.0 | Approved | Jul 13 | http://www.arib.or.jp/english/html/overview/doc/STD-T63v10_00/2_T63/ARIB-STD-T63/Rel8/25/A25450-800.pdf |
| ATIS | ATIS.3GPP.25.450V800-2009 | 8.0.0 | Approved | Jul 09 | https://www.atis.org/docstore/default.aspx |
| CCSA | CCSA-TSD-TDD-25.450 | 8.0.0 | Published | Jan 09 | http://www.ccsa.org.cn/english/tc/files.php?docpath=/ITU-R/M.1457/M.1457-12/TDD |
| ETSI | ETSI TS 125 450 | 8.0.0 | Published | Jan 09 | http://www.etsi.org/deliver/etsi_ts/125400_125499/125450/08.00.00_60/ |
| Release 9 | | | | | |
| ARIB | ARIB STD-T63-25.450 | 9.0.1 | Approved | Jul 13 | http://www.arib.or.jp/english/html/overview/doc/STD-T63v10_00/2_T63/ARIB-STD-T63/Rel9/25/A25450-901.pdf |
| ATIS | ATIS.3GPP.25.450V901-2012 | 9.0.1 | Approved | Jul 12 | https://www.atis.org/docstore/default.aspx |
| CCSA | CCSA-TSD-TDD-25.450 | 9.0.1 | Published | Jun 12 | http://www.ccsa.org.cn/english/tc/files.php?docpath=/ITU-R/M.1457/M.1457-12/TDD |
| ETSI | ETSI TS 125 450 | 9.0.1 | Published | Apr 11 | http://www.etsi.org/deliver/etsi_ts/125400_125499/125450/09.00.01_60/ |
| Release 10 | | | | | |
| ARIB | ARIB STD-T63-25.450 | 10.1.0 | Approved | Jul 13 | http://www.arib.or.jp/english/html/overview/doc/STD-T63v10_00/2_T63/ARIB-STD-T63/Rel10/25/A25450-a10.pdf |
| ATIS | ATIS.3GPP.25.450V1010-2012 | 10.1.0 | Approved | Jul 12 | https://www.atis.org/docstore/default.aspx |
| CCSA | CCSA-TSD-TDD-25.450 | 10.1.0 | Published | Jun 12 | http://www.ccsa.org.cn/english/tc/files.php?docpath=/ITU-R/M.1457/M.1457-12/TDD |
| ETSI | ETSI TS 125 450 | 10.1.0 | Published | Jul 11 | http://www.etsi.org/deliver/etsi_ts/125400_125499/125450/10.01.00_60/ |
| Release 11 | | | | | |
| ARIB | ARIB STD-T63-25.450 | 11.0.0 | Approved | Jul 13 | http://www.arib.or.jp/english/html/overview/doc/STD-T63v10_00/2_T63/ARIB-STD-T63/Rel11/25/A25450-b00.pdf |
| ATIS | ATIS.3GPP.25.450V1100-2014 | 11.0.0 | Approved | May 14 | https://www.atis.org/docstore/default.aspx |

| | | | | | |
|------|---------------------|--------|-----------|--------|---|
| CCSA | CCSA-TSD-TDD-25.450 | 11.0.0 | Published | Jun 14 | http://www.ccsa.org.cn/english/tc/files.php?docpath=/ITU-R/M.1457/M.1457-12/TDD |
| ETSI | ETSI TS 125 450 | 11.0.0 | Published | Oct 12 | http://www.etsi.org/deliver/etsi_ts/125400_125499/125450/11.00.00_60/ |

5.3.2.3.26 TS 25.451

UTRAN Iupc interface layer 1

This document specifies the standards allowed to implement Layer 1 on the Iupc interface.

| SDO (2) | Document No. | Version | Status | Issued date | Location (1) |
|-------------------|----------------------------|---------|-----------|-------------|---|
| Release 5 | | | | | |
| ARIB | ARIB STD-T63-25.451 | 5.0.1 | Approved | Jul 13 | http://www.arib.or.jp/english/html/overview/doc/STD-T63v10_00/2_T63/ARIB-STD-T63/Rel5/25/A25451-501.pdf |
| ATIS | T1.3GPP.25.451V501-2002 | 5.0.1 | Approved | May 02 | https://www.atis.org/docstore/default.aspx |
| CCSA | CCSA-TSD-TDD-25.451 | 5.0.1 | Published | Apr 02 | http://www.ccsa.org.cn/english/tc/files.php?docpath=/ITU-R/M.1457/M.1457-12/TDD |
| ETSI | ETSI TS 125 451 | 5.0.1 | Published | Apr 02 | http://www.etsi.org/deliver/etsi_ts/125400_125499/125451/05.00.01_60/ |
| Release 6 | | | | | |
| ARIB | ARIB STD-T63-25.451 | 6.0.0 | Approved | Jul 13 | http://www.arib.or.jp/english/html/overview/doc/STD-T63v10_00/2_T63/ARIB-STD-T63/Rel6/25/A25451-600.pdf |
| ATIS | T1.3GPP.25.451V600-2004 | 6.0.0 | Approved | May 04 | https://www.atis.org/docstore/default.aspx |
| CCSA | CCSA-TSD-TDD-25.451 | 6.0.0 | Published | Jan 04 | http://www.ccsa.org.cn/english/tc/files.php?docpath=/ITU-R/M.1457/M.1457-12/TDD |
| ETSI | ETSI TS 125 451 | 6.0.0 | Published | Jan 04 | http://www.etsi.org/deliver/etsi_ts/125400_125499/125451/06.00.00_60/ |
| Release 7 | | | | | |
| ARIB | ARIB STD-T63-25.451 | 7.0.0 | Approved | Jul 13 | http://www.arib.or.jp/english/html/overview/doc/STD-T63v10_00/2_T63/ARIB-STD-T63/Rel7/25/A25451-700.pdf |
| ATIS | ATIS.3GPP.25.451V700-2007 | 7.0.0 | Approved | Oct 07 | https://www.atis.org/docstore/default.aspx |
| CCSA | CCSA-TSD-TDD-25.451 | 7.0.0 | Published | May 06 | http://www.ccsa.org.cn/english/tc/files.php?docpath=/ITU-R/M.1457/M.1457-12/TDD |
| ETSI | ETSI TS 125 451 | 7.0.0 | Published | May 06 | http://www.etsi.org/deliver/etsi_ts/125400_125499/125451/07.00.00_60/ |
| Release 8 | | | | | |
| ARIB | ARIB STD-T63-25.451 | 8.0.0 | Approved | Jul 13 | http://www.arib.or.jp/english/html/overview/doc/STD-T63v10_00/2_T63/ARIB-STD-T63/Rel8/25/A25451-800.pdf |
| ATIS | ATIS.3GPP.25.451V800-2009 | 8.0.0 | Approved | Jul 09 | https://www.atis.org/docstore/default.aspx |
| CCSA | CCSA-TSD-TDD-25.451 | 8.0.0 | Published | Jan 09 | http://www.ccsa.org.cn/english/tc/files.php?docpath=/ITU-R/M.1457/M.1457-12/TDD |
| ETSI | ETSI TS 125 451 | 8.0.0 | Published | Jan 09 | http://www.etsi.org/deliver/etsi_ts/125400_125499/125451/08.00.00_60/ |
| Release 9 | | | | | |
| ARIB | ARIB STD-T63-25.451 | 9.0.0 | Approved | Jul 13 | http://www.arib.or.jp/english/html/overview/doc/STD-T63v10_00/2_T63/ARIB-STD-T63/Rel9/25/A25451-900.pdf |
| ATIS | ATIS.3GPP.25.451V900-2010 | 9.0.0 | Approved | Jul 10 | https://www.atis.org/docstore/default.aspx |
| CCSA | CCSA-TSD-TDD-25.451 | 9.0.0 | Published | Mar 10 | http://www.ccsa.org.cn/english/tc/files.php?docpath=/ITU-R/M.1457/M.1457-12/TDD |
| ETSI | ETSI TS 125 451 | 9.0.0 | Published | Jan 10 | http://www.etsi.org/deliver/etsi_ts/125400_125499/125451/09.00.00_60/ |
| Release 10 | | | | | |
| ARIB | ARIB STD-T63-25.451 | 10.0.0 | Approved | Jul 13 | http://www.arib.or.jp/english/html/overview/doc/STD-T63v10_00/2_T63/ARIB-STD-T63/Rel10/25/A25451-a00.pdf |
| ATIS | ATIS.3GPP.25.451V1000-2012 | 10.0.0 | Approved | Jul 12 | https://www.atis.org/docstore/default.aspx |
| CCSA | CCSA-TSD-TDD-25.451 | 10.0.0 | Published | Jun 12 | http://www.ccsa.org.cn/english/tc/files.php?docpath=/ITU-R/M.1457/M.1457-12/TDD |
| ETSI | ETSI TS 125 451 | 10.0.0 | Published | Apr 11 | http://www.etsi.org/deliver/etsi_ts/125400_125499/125451/10.00.00_60/ |
| Release 11 | | | | | |
| ARIB | ARIB STD-T63-25.451 | 11.0.0 | Approved | Jul 13 | http://www.arib.or.jp/english/html/overview/doc/STD-T63v10_00/2_T63/ARIB-STD-T63/Rel11/25/A25451-b00.pdf |
| ATIS | ATIS.3GPP.25.451V1100-2014 | 11.0.0 | Approved | May 14 | https://www.atis.org/docstore/default.aspx |
| CCSA | CCSA-TSD-TDD-25.451 | 11.0.0 | Published | Jun 14 | http://www.ccsa.org.cn/english/tc/files.php?docpath=/ITU-R/M.1457/M.1457-12/TDD |

ETSI ETSI TS 125 451 11.0.0 Published Oct 12 http://www.etsi.org/deliver/etsi_ts/125400_125499/125451/11.00.00_60/

5.3.2.3.27 TS 25.452

UTRAN Iupc interface: signalling transport

This document specifies the signalling transport related to PCAP signalling to be used across the Iupc interface.

| SDO (2) | Document No. | Version | Status | Issued date | Location (1) |
|-------------------|----------------------------|---------|-----------|-------------|---|
| Release 5 | | | | | |
| ARIB | ARIB STD-T63-25.452 | 5.0.0 | Approved | Jul 13 | http://www.arib.or.jp/english/html/overview/doc/STD-T63v10_00/2_T63/ARIB-STD-T63/Rel5/25/A25452-500.pdf |
| ATIS | T1.3GPP.25.452V500-2002 | 5.0.0 | Approved | May 02 | https://www.atis.org/docstore/default.aspx |
| CCSA | CCSA-TSD-TDD-25.452 | 5.0.0 | Published | Apr 02 | http://www.ccsa.org.cn/english/tc/files.php?docpath=/ITU-R/M.1457/M.1457-12/TDD |
| ETSI | ETSI TS 125 452 | 5.0.0 | Published | Apr 02 | http://www.etsi.org/deliver/etsi_ts/125400_125499/125452/05.00.00_60/ |
| Release 6 | | | | | |
| ARIB | ARIB STD-T63-25.452 | 6.0.0 | Approved | Jul 13 | http://www.arib.or.jp/english/html/overview/doc/STD-T63v10_00/2_T63/ARIB-STD-T63/Rel6/25/A25452-600.pdf |
| ATIS | T1.3GPP.25.452V600-2004 | 6.0.0 | Approved | May 04 | https://www.atis.org/docstore/default.aspx |
| CCSA | CCSA-TSD-TDD-25.452 | 6.0.0 | Published | Jan 04 | http://www.ccsa.org.cn/english/tc/files.php?docpath=/ITU-R/M.1457/M.1457-12/TDD |
| ETSI | ETSI TS 125 452 | 6.0.0 | Published | Jan 04 | http://www.etsi.org/deliver/etsi_ts/125400_125499/125452/06.00.00_60/ |
| Release 7 | | | | | |
| ARIB | ARIB STD-T63-25.452 | 7.1.0 | Approved | Jul 13 | http://www.arib.or.jp/english/html/overview/doc/STD-T63v10_00/2_T63/ARIB-STD-T63/Rel7/25/A25452-710.pdf |
| ATIS | ATIS.3GPP.25.452V710-2007 | 7.1.0 | Approved | Oct 07 | https://www.atis.org/docstore/default.aspx |
| CCSA | CCSA-TSD-TDD-25.452 | 7.1.0 | Published | Oct 07 | http://www.ccsa.org.cn/english/tc/files.php?docpath=/ITU-R/M.1457/M.1457-12/TDD |
| ETSI | ETSI TS 125 452 | 7.1.0 | Published | Oct 07 | http://www.etsi.org/deliver/etsi_ts/125400_125499/125452/07.01.00_60/ |
| Release 8 | | | | | |
| ARIB | ARIB STD-T63-25.452 | 8.0.0 | Approved | Jul 13 | http://www.arib.or.jp/english/html/overview/doc/STD-T63v10_00/2_T63/ARIB-STD-T63/Rel8/25/A25452-800.pdf |
| ATIS | ATIS.3GPP.25.452V800-2009 | 8.0.0 | Approved | Jul 09 | https://www.atis.org/docstore/default.aspx |
| CCSA | CCSA-TSD-TDD-25.452 | 8.0.0 | Published | Jan 09 | http://www.ccsa.org.cn/english/tc/files.php?docpath=/ITU-R/M.1457/M.1457-12/TDD |
| ETSI | ETSI TS 125 452 | 8.0.0 | Published | Jan 09 | http://www.etsi.org/deliver/etsi_ts/125400_125499/125452/08.00.00_60/ |
| Release 9 | | | | | |
| ARIB | ARIB STD-T63-25.452 | 9.0.1 | Approved | Jul 13 | http://www.arib.or.jp/english/html/overview/doc/STD-T63v10_00/2_T63/ARIB-STD-T63/Rel9/25/A25452-901.pdf |
| ATIS | ATIS.3GPP.25.452V901-2012 | 9.0.1 | Approved | Jul 12 | https://www.atis.org/docstore/default.aspx |
| CCSA | CCSA-TSD-TDD-25.452 | 9.0.1 | Published | Jun 12 | http://www.ccsa.org.cn/english/tc/files.php?docpath=/ITU-R/M.1457/M.1457-12/TDD |
| ETSI | ETSI TS 125 452 | 9.0.1 | Published | Apr 11 | http://www.etsi.org/deliver/etsi_ts/125400_125499/125452/09.00.01_60/ |
| Release 10 | | | | | |
| ARIB | ARIB STD-T63-25.452 | 10.1.0 | Approved | Jul 13 | http://www.arib.or.jp/english/html/overview/doc/STD-T63v10_00/2_T63/ARIB-STD-T63/Rel10/25/A25452-a10.pdf |
| ATIS | ATIS.3GPP.25.452V1010-2012 | 10.1.0 | Approved | Jul 12 | https://www.atis.org/docstore/default.aspx |
| CCSA | CCSA-TSD-TDD-25.452 | 10.1.0 | Published | Jun 12 | http://www.ccsa.org.cn/english/tc/files.php?docpath=/ITU-R/M.1457/M.1457-12/TDD |
| ETSI | ETSI TS 125 452 | 10.1.0 | Published | Jul 11 | http://www.etsi.org/deliver/etsi_ts/125400_125499/125452/10.01.00_60/ |
| Release 11 | | | | | |
| ARIB | ARIB STD-T63-25.452 | 11.0.0 | Approved | Jul 13 | http://www.arib.or.jp/english/html/overview/doc/STD-T63v10_00/2_T63/ARIB-STD-T63/Rel11/25/A25452-b00.pdf |
| ATIS | ATIS.3GPP.25.452V1100-2014 | 11.0.0 | Approved | May 14 | https://www.atis.org/docstore/default.aspx |
| CCSA | CCSA-TSD-TDD-25.452 | 11.0.0 | Published | Jun 14 | http://www.ccsa.org.cn/english/tc/files.php?docpath=/ITU-R/M.1457/M.1457-12/TDD |
| ETSI | ETSI TS 125 452 | 11.0.0 | Published | Oct 12 | http://www.etsi.org/deliver/etsi_ts/125400_125499/125452/11.00.00_60/ |

5.3.2.3.28 TS 25.453

UTRAN Iupc interface Positioning Calculation Application Part (PCAP) signalling

This document specifies the Positioning Calculation Application Part (PCAP) between the Radio Network Controller (RNC) and the Stand-alone SMLC (SAS).

| SDO (2) | Document No. | Version | Status | Issued date | Location (1) |
|-------------------|----------------------------|---------|-----------|-------------|---|
| Release 5 | | | | | |
| ARIB | ARIB STD-T63-25.453 | 5.12.0 | Approved | Jul 13 | http://www.arib.or.jp/english/html/overview/doc/STD-T63v10_00/2_T63/ARIB-STD-T63/Rel5/25/A25453-5c0.pdf |
| ATIS | ATIS.3GPP.25.453V5120-2007 | 5.12.0 | Approved | Oct 07 | https://www.atis.org/docstore/default.aspx |
| CCSA | CCSA-TSD-TDD-25.453 | 5.12.0 | Published | Mar 07 | http://www.ccsa.org.cn/english/tc/files.php?docpath=/ITU-R/M.1457/M.1457-12/TDD |
| ETSI | ETSI TS 125 453 | 5.12.0 | Published | Mar 07 | http://www.etsi.org/deliver/etsi_ts/125400_125499/125453/05.12.00_60/ |
| Release 6 | | | | | |
| ARIB | ARIB STD-T63-25.453 | 6.11.0 | Approved | Jul 13 | http://www.arib.or.jp/english/html/overview/doc/STD-T63v10_00/2_T63/ARIB-STD-T63/Rel6/25/A25453-6b0.pdf |
| ATIS | ATIS.3GPP.25.453V6110-2007 | 6.11.0 | Approved | Oct 07 | https://www.atis.org/docstore/default.aspx |
| CCSA | CCSA-TSD-TDD-25.453 | 6.11.0 | Published | Mar 07 | http://www.ccsa.org.cn/english/tc/files.php?docpath=/ITU-R/M.1457/M.1457-12/TDD |
| ETSI | ETSI TS 125 453 | 6.11.0 | Published | Mar 07 | http://www.etsi.org/deliver/etsi_ts/125400_125499/125453/06.11.00_60/ |
| Release 7 | | | | | |
| ARIB | ARIB STD-T63-25.453 | 7.12.0 | Approved | Jul 13 | http://www.arib.or.jp/english/html/overview/doc/STD-T63v10_00/2_T63/ARIB-STD-T63/Rel7/25/A25453-7c0.pdf |
| ATIS | ATIS.3GPP.25.453V7120-2009 | 7.12.0 | Approved | Jul 09 | https://www.atis.org/docstore/default.aspx |
| CCSA | CCSA-TSD-TDD-25.453 | 7.12.0 | Published | Jan 09 | http://www.ccsa.org.cn/english/tc/files.php?docpath=/ITU-R/M.1457/M.1457-12/TDD |
| ETSI | ETSI TS 125 453 | 7.12.0 | Published | Jan 09 | http://www.etsi.org/deliver/etsi_ts/125400_125499/125453/07.12.00_60/ |
| Release 8 | | | | | |
| ARIB | ARIB STD-T63-25.453 | 8.2.0 | Approved | Jul 13 | http://www.arib.or.jp/english/html/overview/doc/STD-T63v10_00/2_T63/ARIB-STD-T63/Rel8/25/A25453-820.pdf |
| ATIS | ATIS.3GPP.25.453V820-2010 | 8.2.0 | Approved | Jul 10 | https://www.atis.org/docstore/default.aspx |
| CCSA | CCSA-TSD-TDD-25.453 | 8.2.0 | Published | Mar 10 | http://www.ccsa.org.cn/english/tc/files.php?docpath=/ITU-R/M.1457/M.1457-12/TDD |
| ETSI | ETSI TS 125 453 | 8.2.0 | Published | Oct 09 | http://www.etsi.org/deliver/etsi_ts/125400_125499/125453/08.02.00_60/ |
| Release 9 | | | | | |
| ARIB | ARIB STD-T63-25.453 | 9.2.1 | Approved | Jul 13 | http://www.arib.or.jp/english/html/overview/doc/STD-T63v10_00/2_T63/ARIB-STD-T63/Rel9/25/A25453-921.pdf |
| ATIS | ATIS.3GPP.25.453V921-2012 | 9.2.1 | Approved | Jul 12 | https://www.atis.org/docstore/default.aspx |
| CCSA | CCSA-TSD-TDD-25.453 | 9.2.1 | Published | Jun 12 | http://www.ccsa.org.cn/english/tc/files.php?docpath=/ITU-R/M.1457/M.1457-12/TDD |
| ETSI | ETSI TS 125 453 | 9.2.1 | Published | Apr 11 | http://www.etsi.org/deliver/etsi_ts/125400_125499/125453/09.02.01_60/ |
| Release 10 | | | | | |
| ARIB | ARIB STD-T63-25.453 | 10.3.0 | Approved | Jul 13 | http://www.arib.or.jp/english/html/overview/doc/STD-T63v10_00/2_T63/ARIB-STD-T63/Rel10/25/A25453-a30.pdf |
| ATIS | ATIS.3GPP.25.453V1030-2012 | 10.3.0 | Approved | Jul 12 | https://www.atis.org/docstore/default.aspx |
| CCSA | CCSA-TSD-TDD-25.453 | 10.3.0 | Published | Jun 12 | http://www.ccsa.org.cn/english/tc/files.php?docpath=/ITU-R/M.1457/M.1457-12/TDD |
| ETSI | ETSI TS 125 453 | 10.3.0 | Published | Jul 11 | http://www.etsi.org/deliver/etsi_ts/125400_125499/125453/10.03.00_60/ |
| Release 11 | | | | | |
| ARIB | ARIB STD-T63-25.453 | 11.0.0 | Approved | Jul 13 | http://www.arib.or.jp/english/html/overview/doc/STD-T63v10_00/2_T63/ARIB-STD-T63/Rel11/25/A25453-b00.pdf |
| ATIS | ATIS.3GPP.25.453V1100-2014 | 11.0.0 | Approved | May 14 | https://www.atis.org/docstore/default.aspx |
| CCSA | CCSA-TSD-TDD-25.453 | 11.2.0 | Published | Jun 14 | http://www.ccsa.org.cn/english/tc/files.php?docpath=/ITU-R/M.1457/M.1457-12/TDD |
| ETSI | ETSI TS 125 453 | 11.0.0 | Published | Oct 12 | http://www.etsi.org/deliver/etsi_ts/125400_125499/125453/11.00.00_60/ |

5.3.2.3.29 TS 25.460**UTRAN Iuant interface: General aspects and principles**

This document is an introduction to the TSG RAN TS 25.46x series of UMTS Technical Specifications that define the Iuant Interface. The logical Iuant interface is a Node B internal interface between the implementation specific O&M function and the Remote Electrical Tilting (RET) Antenna Control unit function of the Node B.

| SDO (2) | Document No. | Version | Status | Issued date | Location (1) |
|-------------------|----------------------------|---------|-----------|-------------|---|
| Release 6 | | | | | |
| ATIS | ATIS.3GPP.25.460V620-2006 | 6.2.0 | Approved | Apr 06 | https://www.atis.org/docstore/default.aspx |
| CCSA | CCSA-TSD-TDD-25.460 | 6.2.0 | Published | Apr 05 | http://www.ccsa.org.cn/english/tc/files.php?docpath=/ITU-R/M.1457/M.1457-12/TDD |
| ETSI | ETSI TS 125 460 | 6.2.0 | Published | Apr 05 | http://www.etsi.org/deliver/etsi_ts/125400_125499/125460/06.02.00_60/ |
| Release 7 | | | | | |
| ATIS | ATIS.3GPP.25.460V710-2007 | 7.1.0 | Approved | Oct 07 | https://www.atis.org/docstore/default.aspx |
| CCSA | CCSA-TSD-TDD-25.460 | 7.1.0 | Published | Mar 07 | http://www.ccsa.org.cn/english/tc/files.php?docpath=/ITU-R/M.1457/M.1457-12/TDD |
| ETSI | ETSI TS 125 460 | 7.1.0 | Published | Mar 07 | http://www.etsi.org/deliver/etsi_ts/125400_125499/125460/07.01.00_60/ |
| Release 8 | | | | | |
| ATIS | ATIS.3GPP.25.460V810-2009 | 8.1.0 | Approved | Jul 09 | https://www.atis.org/docstore/default.aspx |
| CCSA | CCSA-TSD-TDD-25.460 | 8.1.0 | Published | Apr 09 | http://www.ccsa.org.cn/english/tc/files.php?docpath=/ITU-R/M.1457/M.1457-12/TDD |
| ETSI | ETSI TS 125 460 | 8.1.0 | Published | Apr 09 | http://www.etsi.org/deliver/etsi_ts/125400_125499/125460/08.01.00_60/ |
| Release 9 | | | | | |
| ATIS | ATIS.3GPP.25.460V901-2012 | 9.0.1 | Approved | Jul 12 | https://www.atis.org/docstore/default.aspx |
| CCSA | CCSA-TSD-TDD-25.460 | 9.0.1 | Published | Jun 12 | http://www.ccsa.org.cn/english/tc/files.php?docpath=/ITU-R/M.1457/M.1457-12/TDD |
| ETSI | ETSI TS 125 460 | 9.0.1 | Published | May 11 | http://www.etsi.org/deliver/etsi_ts/125400_125499/125460/09.00.01_60/ |
| Release 10 | | | | | |
| ATIS | ATIS.3GPP.25.460V1001-2011 | 10.0.1 | Approved | Jul 11 | https://www.atis.org/docstore/default.aspx |
| CCSA | CCSA-TSD-TDD-25.460 | 10.1.0 | Published | Jun 12 | http://www.ccsa.org.cn/english/tc/files.php?docpath=/ITU-R/M.1457/M.1457-12/TDD |
| ETSI | ETSI TS 125 460 | 10.0.1 | Published | Apr 11 | http://www.etsi.org/deliver/etsi_ts/125400_125499/125460/10.00.01_60/ |
| Release 11 | | | | | |
| ATIS | ATIS.3GPP.25.460V1100-2013 | 11.0.0 | Approved | Jun 13 | https://www.atis.org/docstore/default.aspx |
| CCSA | CCSA-TSD-TDD-25.460 | 11.0.0 | Published | Jun 14 | http://www.ccsa.org.cn/english/tc/files.php?docpath=/ITU-R/M.1457/M.1457-12/TDD |
| ETSI | ETSI TS 125 460 | 11.0.0 | Published | Oct 12 | http://www.etsi.org/deliver/etsi_ts/125400_125499/125460/11.00.00_60/ |

5.3.2.3.30 TS 25.461**UTRAN Iuant interface: Layer 1**

This document specifies the standards allowed to implement Layer 1 on the Iuant interface. The specification of transmission delay requirements and O&M requirements are not in the scope of this document.

| SDO (2) | Document No. | Version | Status | Issued date | Location (1) |
|------------------|---------------------------|---------|----------|-------------|---|
| Release 6 | | | | | |
| ATIS | ATIS.3GPP.25.461V650-2006 | 6.5.0 | Approved | Apr 06 | https://www.atis.org/docstore/default.aspx |

| | | | | | |
|-------------------|----------------------------|--------|-----------|--------|---|
| CCSA | CCSA-TSD-TDD-25.461 | 6.5.0 | Published | Jan 06 | http://www.ccsa.org.cn/english/tc/files.php?docpath=/ITU-R/M.1457/M.1457-12/TDD |
| ETSI | ETSI TS 125 461 | 6.5.0 | Published | Jan 06 | http://www.etsi.org/deliver/etsi_ts/125400_125499/125461/06.05.00_60/ |
| Release 7 | | | | | |
| ATIS | ATIS.3GPP.25.461V750-2007 | 7.5.0 | Approved | Oct 07 | https://www.atis.org/docstore/default.aspx |
| CCSA | CCSA-TSD-TDD-25.461 | 7.5.0 | Published | Jul 07 | http://www.ccsa.org.cn/english/tc/files.php?docpath=/ITU-R/M.1457/M.1457-12/TDD |
| ETSI | ETSI TS 125 461 | 7.5.0 | Published | Jul 07 | http://www.etsi.org/deliver/etsi_ts/125400_125499/125461/07.05.00_60/ |
| Release 8 | | | | | |
| ATIS | ATIS.3GPP.25.461V840-2012 | 8.4.0 | Approved | Jul 12 | https://www.atis.org/docstore/default.aspx |
| CCSA | CCSA-TSD-TDD-25.461 | 8.4.0 | Published | Jun 12 | http://www.ccsa.org.cn/english/tc/files.php?docpath=/ITU-R/M.1457/M.1457-12/TDD |
| ETSI | ETSI TS 125 461 | 8.4.0 | Published | Jan 11 | http://www.etsi.org/deliver/etsi_ts/125400_125499/125461/08.04.00_60/ |
| Release 9 | | | | | |
| ATIS | ATIS.3GPP.25.461V931-2012 | 9.3.1 | Approved | Jul 12 | https://www.atis.org/docstore/default.aspx |
| CCSA | CCSA-TSD-TDD-25.461 | 9.3.1 | Published | Jun 12 | http://www.ccsa.org.cn/english/tc/files.php?docpath=/ITU-R/M.1457/M.1457-12/TDD |
| ETSI | ETSI TS 125 461 | 9.3.1 | Published | Apr 11 | http://www.etsi.org/deliver/etsi_ts/125400_125499/125461/09.03.01_60/ |
| Release 10 | | | | | |
| ATIS | ATIS.3GPP.25.461V1030-2013 | 10.3.0 | Approved | Jun 13 | https://www.atis.org/docstore/default.aspx |
| CCSA | CCSA-TSD-TDD-25.461 | 10.3.0 | Published | Jun 12 | http://www.ccsa.org.cn/english/tc/files.php?docpath=/ITU-R/M.1457/M.1457-12/TDD |
| ETSI | ETSI TS 125 461 | 10.3.0 | Published | Jan 12 | http://www.etsi.org/deliver/etsi_ts/125400_125499/125461/10.03.00_60/ |
| Release 11 | | | | | |
| ATIS | ATIS.3GPP.25.461V1120-2013 | 11.2.0 | Approved | Jun 13 | https://www.atis.org/docstore/default.aspx |
| CCSA | CCSA-TSD-TDD-25.461 | 11.2.0 | Published | Jun 14 | http://www.ccsa.org.cn/english/tc/files.php?docpath=/ITU-R/M.1457/M.1457-12/TDD |
| ETSI | ETSI TS 125 461 | 11.2.0 | Published | Jan 13 | http://www.etsi.org/deliver/etsi_ts/125400_125499/125461/11.02.00_60/ |

5.3.2.3.31 TS 25.462

UTRAN Iuant interface: Signalling transport

This document specifies the signalling transport related to RETAP signalling to be used across the Iuant interface.

| SDO (2) | Document No. | Version | Status | Issued date | Location (1) |
|------------------|---------------------------|---------|-----------|-------------|---|
| Release 6 | | | | | |
| ATIS | ATIS.3GPP.25.462V651-2007 | 6.5.1 | Approved | Oct 07 | https://www.atis.org/docstore/default.aspx |
| CCSA | CCSA-TSD-TDD-25.462 | 6.5.1 | Published | Jul 07 | http://www.ccsa.org.cn/english/tc/files.php?docpath=/ITU-R/M.1457/M.1457-12/TDD |
| ETSI | ETSI TS 125 462 | 6.5.1 | Published | Jul 07 | http://www.etsi.org/deliver/etsi_ts/125400_125499/125462/06.05.01_60/ |
| Release 7 | | | | | |
| ATIS | ATIS.3GPP.25.462V740-2007 | 7.4.0 | Approved | Oct 07 | https://www.atis.org/docstore/default.aspx |
| CCSA | CCSA-TSD-TDD-25.462 | 7.4.0 | Published | Oct 07 | http://www.ccsa.org.cn/english/tc/files.php?docpath=/ITU-R/M.1457/M.1457-12/TDD |
| ETSI | ETSI TS 125 462 | 7.4.0 | Published | Oct 07 | http://www.etsi.org/deliver/etsi_ts/125400_125499/125462/07.04.00_60/ |
| Release 8 | | | | | |
| ATIS | ATIS.3GPP.25.462V810-2009 | 8.1.0 | Approved | Jul 09 | https://www.atis.org/docstore/default.aspx |
| CCSA | CCSA-TSD-TDD-25.462 | 8.1.0 | Published | Apr 09 | http://www.ccsa.org.cn/english/tc/files.php?docpath=/ITU-R/M.1457/M.1457-12/TDD |

| | | | | | |
|-------------------|----------------------------|--------|-----------|--------|---|
| ETSI | ETSI TS 125 462 | 8.1.0 | Published | Apr 09 | http://www.etsi.org/deliver/etsi_ts/125400_125499/125462/08.01.00_60/ |
| Release 9 | | | | | |
| ATIS | ATIS.3GPP.25.462V901-2012 | 9.0.1 | Approved | Jul 12 | https://www.atis.org/docstore/default.aspx |
| CCSA | CCSA-TSD-TDD-25.462 | 9.0.1 | Published | Jun 12 | http://www.ccsa.org.cn/english/tc/files.php?docpath=/ITU-R/M.1457/M.1457-12/TDD |
| ETSI | ETSI TS 125 462 | 9.0.1 | Published | Apr 11 | http://www.etsi.org/deliver/etsi_ts/125400_125499/125462/09.00.01_60/ |
| Release 10 | | | | | |
| ATIS | ATIS.3GPP.25.462V1010-2011 | 10.1.0 | Approved | Jul 11 | https://www.atis.org/docstore/default.aspx |
| CCSA | CCSA-TSD-TDD-25.462 | 10.1.0 | Published | Jun 12 | http://www.ccsa.org.cn/english/tc/files.php?docpath=/ITU-R/M.1457/M.1457-12/TDD |
| ETSI | ETSI TS 125 462 | 10.1.0 | Published | Jun 11 | http://www.etsi.org/deliver/etsi_ts/125400_125499/125462/10.01.00_60/ |
| Release 11 | | | | | |
| ATIS | ATIS.3GPP.25.462V1100-2013 | 11.0.0 | Approved | Jun 13 | https://www.atis.org/docstore/default.aspx |
| CCSA | CCSA-TSD-TDD-25.462 | 11.0.0 | Published | Jun 14 | http://www.ccsa.org.cn/english/tc/files.php?docpath=/ITU-R/M.1457/M.1457-12/TDD |
| ETSI | ETSI TS 125 462 | 11.0.0 | Published | Oct 12 | http://www.etsi.org/deliver/etsi_ts/125400_125499/125462/11.00.00_60/ |

5.3.2.3.32 TS 25.466

UTRAN Iuant interface: Application part

This document specifies the Remote Electrical Tilting Application Part (RETAP) between the implementation specific O&M transport function and the RET Antenna Control unit function of the Node B. The document also specifies the Tower Mounted Amplifier Application Part (TMAAP) between the implementation specific O&M transport function and the TMA control function of the Node B. It defines the Iuant interface and its associated signalling procedures.

| SDO (2) | Document No. | Version | Status | Issued date | Location (1) |
|-------------------|----------------------------|---------|-----------|-------------|---|
| Release 7 | | | | | |
| ATIS | ATIS.3GPP.25.466V730-2008 | 7.3.0 | Approved | Oct 08 | https://www.atis.org/docstore/default.aspx |
| CCSA | CCSA-TSD-TDD-25.466 | 7.3.0 | Published | Jan 08 | http://www.ccsa.org.cn/english/tc/files.php?docpath=/ITU-R/M.1457/M.1457-12/TDD |
| ETSI | ETSI TS 125 466 | 7.3.0 | Published | Jan 08 | http://www.etsi.org/deliver/etsi_ts/125400_125499/125466/07.03.00_60/ |
| Release 8 | | | | | |
| ATIS | ATIS.3GPP.25.466V830-2009 | 8.3.0 | Approved | Jul 09 | https://www.atis.org/docstore/default.aspx |
| CCSA | CCSA-TSD-TDD-25.466 | 8.3.0 | Published | Apr 09 | http://www.ccsa.org.cn/english/tc/files.php?docpath=/ITU-R/M.1457/M.1457-12/TDD |
| ETSI | ETSI TS 125 466 | 8.3.0 | Published | Apr 09 | http://www.etsi.org/deliver/etsi_ts/125400_125499/125466/08.03.00_60/ |
| Release 9 | | | | | |
| ATIS | ATIS.3GPP.25.466V921-2012 | 9.2.1 | Approved | Jul 12 | https://www.atis.org/docstore/default.aspx |
| CCSA | CCSA-TSD-TDD-25.466 | 9.2.1 | Published | Jun 12 | http://www.ccsa.org.cn/english/tc/files.php?docpath=/ITU-R/M.1457/M.1457-12/TDD |
| ETSI | ETSI TS 125 466 | 9.2.1 | Published | Apr 11 | http://www.etsi.org/deliver/etsi_ts/125400_125499/125466/09.02.01_60/ |
| Release 10 | | | | | |
| ATIS | ATIS.3GPP.25.466V1030-2013 | 10.3.0 | Approved | Jun 13 | https://www.atis.org/docstore/default.aspx |
| CCSA | CCSA-TSD-TDD-25.466 | 10.3.0 | Published | Jun 12 | http://www.ccsa.org.cn/english/tc/files.php?docpath=/ITU-R/M.1457/M.1457-12/TDD |
| ETSI | ETSI TS 125 466 | 10.3.0 | Published | Jan 12 | http://www.etsi.org/deliver/etsi_ts/125400_125499/125466/10.03.00_60/ |
| Release 11 | | | | | |
| ATIS | ATIS.3GPP.25.466V1130-2013 | 11.3.0 | Approved | Jun 13 | https://www.atis.org/docstore/default.aspx |
| CCSA | CCSA-TSD-TDD-25.466 | 11.3.0 | Published | Jun 14 | http://www.ccsa.org.cn/english/tc/files.php?docpath=/ITU-R/M.1457/M.1457-12/TDD |
| ETSI | ETSI TS 125 466 | 11.3.0 | Published | Jan 13 | http://www.etsi.org/deliver/etsi_ts/125400_125499/125466/11.03.00_60/ |

5.3.2.3.33 TS 25.467

UTRAN architecture for 3G Home Node B (HNB); Stage 2

This document specifies the UTRAN architecture for 3G Home NodeB (3G HNB).

| SDO (2) | Document No. | Version | Status | Issued date | Location (1) |
|-------------------|----------------------------|---------|-----------|-------------|---|
| Release 8 | | | | | |
| ARIB | ARIB STD-T63-25.467 | 8.6.0 | Approved | Jul 13 | http://www.arib.or.jp/english/html/overview/doc/STD-T63v10_00/2_T63/ARIB-STD-T63/Rel8/25/A25467-860.pdf |
| ATIS | ATIS.3GPP.25.467V860-2012 | 8.6.0 | Approved | Jul 12 | https://www.atis.org/docstore/default.aspx |
| CCSA | CCSA-TSD-TDD-25.467 | 8.6.0 | Published | Jun 12 | http://www.ccsa.org.cn/english/tc/files.php?docpath=/ITU-R/M.1457/M.1457-12/TDD |
| ETSI | ETSI TS 125 467 | 8.6.0 | Published | Jan 11 | http://www.etsi.org/deliver/etsi_ts/125400_125499/125467/08.06.00_60/ |
| Release 9 | | | | | |
| ARIB | ARIB STD-T63-25.467 | 9.6.0 | Approved | Jul 13 | http://www.arib.or.jp/english/html/overview/doc/STD-T63v10_00/2_T63/ARIB-STD-T63/Rel9/25/A25467-960.pdf |
| ATIS | ATIS.3GPP.25.467V960-2014 | 9.6.0 | Approved | May 14 | https://www.atis.org/docstore/default.aspx |
| CCSA | CCSA-TSD-TDD-25.467 | 9.6.0 | Published | Jun 12 | http://www.ccsa.org.cn/english/tc/files.php?docpath=/ITU-R/M.1457/M.1457-12/TDD |
| ETSI | ETSI TS 125 467 | 9.6.0 | Published | Jan 12 | http://www.etsi.org/deliver/etsi_ts/125400_125499/125467/09.06.00_60/ |
| Release 10 | | | | | |
| ARIB | ARIB STD-T63-25.467 | 10.6.0 | Approved | Jul 13 | http://www.arib.or.jp/english/html/overview/doc/STD-T63v10_00/2_T63/ARIB-STD-T63/Rel10/25/A25467-a60.pdf |
| ATIS | ATIS.3GPP.25.467V1060-2014 | 10.6.0 | Approved | May 14 | https://www.atis.org/docstore/default.aspx |
| CCSA | CCSA-TSD-TDD-25.467 | 10.4.0 | Published | Jun 12 | http://www.ccsa.org.cn/english/tc/files.php?docpath=/ITU-R/M.1457/M.1457-12/TDD |
| ETSI | ETSI TS 125 467 | 10.6.0 | Published | Oct 12 | http://www.etsi.org/deliver/etsi_ts/125400_125499/125467/10.06.00_60/ |
| Release 11 | | | | | |
| ARIB | ARIB STD-T63-25.467 | 11.2.0 | Approved | Jul 13 | http://www.arib.or.jp/english/html/overview/doc/STD-T63v10_00/2_T63/ARIB-STD-T63/Rel11/25/A25467-b20.pdf |
| ATIS | ATIS.3GPP.25.467V1120-2014 | 11.2.0 | Approved | May 14 | https://www.atis.org/docstore/default.aspx |
| CCSA | CCSA-TSD-TDD-25.467 | 11.5.0 | Published | Jun 14 | http://www.ccsa.org.cn/english/tc/files.php?docpath=/ITU-R/M.1457/M.1457-12/TDD |
| ETSI | ETSI TS 125 467 | 11.2.0 | Published | Apr 13 | http://www.etsi.org/deliver/etsi_ts/125400_125499/125467/11.02.00_60/ |

5.3.2.3.34 TS 25.468

UTRAN Iuh Interface RANAP User Adaption (RUA) signalling

This document specifies the RANAP User Adaption (RUA) between the Home Node B (HNB) and the Home Node B Gateway (HNB-GW).

| SDO (2) | Document No. | Version | Status | Issued date | Location (1) |
|------------------|---------------------------|---------|-----------|-------------|---|
| Release 8 | | | | | |
| ARIB | ARIB STD T63-25.468 | 8.2.0 | Approved | Jul 13 | http://www.arib.or.jp/english/html/overview/doc/STD-T63v10_00/2_T63/ARIB-STD-T63/Rel8/25/A25468-820.pdf |
| ATIS | ATIS.3GPP.25.468V820-2010 | 8.2.0 | Approved | Jul 10 | https://www.atis.org/docstore/default.aspx |
| CCSA | CCSA-TSD-TDD-25.468 | 8.2.0 | Published | Jun 12 | http://www.ccsa.org.cn/english/tc/files.php?docpath=/ITU-R/M.1457/M.1457-12/TDD |
| ETSI | ETSI TS 125 468 | 8.2.0 | Published | Apr 10 | http://www.etsi.org/deliver/etsi_ts/125400_125499/125468/08.02.00_60/ |
| Release 9 | | | | | |
| ARIB | ARIB STD T63-25.468 | 9.4.0 | Approved | Jul 13 | http://www.arib.or.jp/english/html/overview/doc/STD-T63v10_00/2_T63/ARIB-STD-T63/Rel9/25/A25468-940.pdf |
| ATIS | ATIS.3GPP.25.468V940-2012 | 9.4.0 | Approved | Jul 12 | https://www.atis.org/docstore/default.aspx |
| CCSA | CCSA-TSD-TDD-25.468 | 9.4.0 | Published | Jun 12 | http://www.ccsa.org.cn/english/tc/files.php?docpath=/ITU-R/M.1457/M.1457-12/TDD |

| | | | | | |
|-------------------|----------------------------|--------|-----------|--------|---|
| ETSI | ETSI TS 125 468 | 9.4.0 | Published | Oct 11 | http://www.etsi.org/deliver/etsi_ts/125400_125499/125468/09.04.00_60/ |
| Release 10 | | | | | |
| ARIB | ARIB STD T63-25.468 | 10.2.0 | Approved | Jul 13 | http://www.arib.or.jp/english/html/overview/doc/STD-T63v10_00/2_T63/ARIB-STD-T63/Rel10/25/A25468-a20.pdf |
| ATIS | ATIS.3GPP.25.468V1020-2012 | 10.2.0 | Approved | Jul 12 | https://www.atis.org/docstore/default.aspx |
| CCSA | CCSA-TSD-TDD-25.468 | 10.2.0 | Published | Jun 12 | http://www.ccsa.org.cn/english/tc/files.php?docpath=/ITU-R/M.1457/M.1457-12/TDD |
| ETSI | ETSI TS 125 468 | 10.2.0 | Published | Oct 11 | http://www.etsi.org/deliver/etsi_ts/125400_125499/125468/10.02.00_60/ |
| Release 11 | | | | | |
| ARIB | ARIB STD T63-25.468 | 11.2.0 | Approved | Jul 13 | http://www.arib.or.jp/english/html/overview/doc/STD-T63v10_00/2_T63/ARIB-STD-T63/Rel11/25/A25468-b20.pdf |
| ATIS | ATIS.3GPP.25.468V1120-2014 | 11.2.0 | Approved | May 14 | https://www.atis.org/docstore/default.aspx |
| CCSA | CCSA-TSD-TDD-25.468 | 11.2.0 | Published | Jun 14 | http://www.ccsa.org.cn/english/tc/files.php?docpath=/ITU-R/M.1457/M.1457-12/TDD |
| ETSI | ETSI TS 125 468 | 11.2.0 | Published | Apr 13 | http://www.etsi.org/deliver/etsi_ts/125400_125499/125468/11.02.00_60/ |

5.3.2.3.35 TS 25.469

UTRAN Iuh interface Home Node B (HNB) Application Part (HNBAP) signalling

This document specifies the Home Node B Application Part (HNBAP) between the Home Node B (HNB) and the Home Node B Gateway (HNB_GW).

| SDO (2) | Document No. | Version | Status | Issued date | Location (1) |
|-------------------|----------------------------|---------|-----------|-------------|---|
| Release 8 | | | | | |
| ARIB | ARIB STD T63-25.469 | 8.5.0 | Approved | Jul 13 | http://www.arib.or.jp/english/html/overview/doc/STD-T63v10_00/2_T63/ARIB-STD-T63/Rel8/25/A25469-850.pdf |
| ATIS | ATIS.3GPP.25.469V850-2010 | 8.5.0 | Approved | Jul 10 | https://www.atis.org/docstore/default.aspx |
| CCSA | CCSA-TSD-TDD-25.469 | 8.5.0 | Published | Jun 12 | http://www.ccsa.org.cn/english/tc/files.php?docpath=/ITU-R/M.1457/M.1457-12/TDD |
| ETSI | ETSI TS 125 469 | 8.5.0 | Published | Apr 10 | http://www.etsi.org/deliver/etsi_ts/125400_125499/125469/08.05.00_60/ |
| Release 9 | | | | | |
| ARIB | ARIB STD T63-25.469 | 9.3.0 | Approved | Jul 13 | http://www.arib.or.jp/english/html/overview/doc/STD-T63v10_00/2_T63/ARIB-STD-T63/Rel9/25/A25469-930.pdf |
| ATIS | ATIS.3GPP.25.469V930-2012 | 9.3.0 | Approved | Jul 12 | https://www.atis.org/docstore/default.aspx |
| CCSA | CCSA-TSD-TDD-25.469 | 9.3.0 | Published | Jun 12 | http://www.ccsa.org.cn/english/tc/files.php?docpath=/ITU-R/M.1457/M.1457-12/TDD |
| ETSI | ETSI TS 125 469 | 9.3.0 | Published | Oct 10 | http://www.etsi.org/deliver/etsi_ts/125400_125499/125469/09.03.00_60/ |
| Release 10 | | | | | |
| ARIB | ARIB STD T63-25.469 | 10.3.0 | Approved | Jul 13 | http://www.arib.or.jp/english/html/overview/doc/STD-T63v10_00/2_T63/ARIB-STD-T63/Rel10/25/A25469-a30.pdf |
| ATIS | ATIS.3GPP.25.469V1030-2014 | 10.3.0 | Approved | May 14 | https://www.atis.org/docstore/default.aspx |
| CCSA | CCSA-TSD-TDD-25.469 | 10.1.0 | Published | Jun 12 | http://www.ccsa.org.cn/english/tc/files.php?docpath=/ITU-R/M.1457/M.1457-12/TDD |
| ETSI | ETSI TS 125 469 | 10.3.0 | Published | Jan 13 | http://www.etsi.org/deliver/etsi_ts/125400_125499/125469/10.03.00_60/ |
| Release 11 | | | | | |
| ARIB | ARIB STD T63-25.469 | 11.2.0 | Approved | Jul 13 | http://www.arib.or.jp/english/html/overview/doc/STD-T63v10_00/2_T63/ARIB-STD-T63/Rel11/25/A25469-b20.pdf |
| ATIS | ATIS.3GPP.25.469V1120-2014 | 11.2.0 | Approved | May 14 | https://www.atis.org/docstore/default.aspx |
| CCSA | CCSA-TSD-TDD-25.469 | 11.2.0 | Published | Jun 14 | http://www.ccsa.org.cn/english/tc/files.php?docpath=/ITU-R/M.1457/M.1457-12/TDD |
| ETSI | ETSI TS 125 469 | 11.2.0 | Published | Apr 13 | http://www.etsi.org/deliver/etsi_ts/125400_125499/125469/11.02.00_60/ |

5.3.2.3.36 TS 25.484

Automatic Neighbour Relation (ANR) for UTRAN; Stage 2

This document specifies the Automatic Neighbour Relation (ANR) function for UTRAN.

| SDO (2) | Document No. | Version | Status | Issued date | Location (1) |
|-------------------|-----------------------------|---------|-----------|-------------|---|
| Release 10 | | | | | |
| ATIS | ATIS.3GPP.25.484V1020-2014 | 10.2.0 | Approved | May 14 | https://www.atis.org/docstore/default.aspx |
| CCSA | CCSA-TSD-TDD-25.484 | 10.0.1 | Published | Jun 12 | http://www.ccsa.org.cn/english/tc/files.php?docpath=/ITU-R/M.1457/M.1457-11/TDD |
| ETSI | ETSI TS 125 484 | 10.2.0 | Published | Oct 12 | http://www.etsi.org/deliver/etsi_ts/125400_125499/125484/10.02.00_60/ |
| TTC | TS-3GA-25.484(Rel10)v10.2.0 | 10.2.0 | Approved | Dec 12 | http://www.ttc.or.jp/j/document_list/free/3gpps2012/TS/TS-3GA-25.484(Rel10)v10.2.0.pdf |
| Release 11 | | | | | |
| ATIS | ATIS.3GPP.25.484V1110-2014 | 11.1.0 | Approved | May 14 | https://www.atis.org/docstore/default.aspx |
| CCSA | CCSA-TSD-TDD-25.484 | 11.1.0 | Published | Jun 14 | http://www.ccsa.org.cn/english/tc/files.php?docpath=/ITU-R/M.1457/M.1457-11/TDD |
| ETSI | ETSI TS 125 484 | 11.1.0 | Published | Apr 13 | http://www.etsi.org/deliver/etsi_ts/125400_125499/125484/11.01.00_60/ |
| TTC | TS-3GA-25.484(Rel11)v11.1.0 | 11.1.0 | Approved | Jun 13 | http://www.ttc.or.jp/j/document_list/free/3gpps2013/TS/TS-3GA-25.484(Rel11)v11.1.0.pdf |

5.3.2.4 25.100 series

5.3.2.4.1 TS 25.102

User Equipment (UE) radio transmission and reception (TDD)

This document establishes the minimum RF characteristics of the UTRA User Equipment (UE) operating in the TDD mode. The values in the TS make no allowance for measurement uncertainty in conformance testing.

| SDO (2) | Document No. | Version | Status | Issued date | Location (1) |
|-------------------|----------------------------|---------|-----------|-------------|---|
| Release 99 | | | | | |
| ARIB | ARIB STD-T63-25.102 | 3.13.0 | Approved | Jul 13 | http://www.arib.or.jp/english/html/overview/doc/STD-T63v10_00/2_T63/ARIB-STD-T63/R99/25/A25102-3d0.pdf |
| ATIS | ATIS.3GPP.25.102V3130-2007 | 3.13.0 | Approved | Oct 07 | https://www.atis.org/docstore/default.aspx |
| CCSA | CCSA-TSD-TDD-25.102 | 3.13.0 | Published | Oct 06 | http://www.ccsa.org.cn/english/tc/files.php?docpath=/ITU-R/M.1457/M.1457-12/TDD |
| ETSI | ETSI TS 125 102 | 3.13.0 | Published | Oct 06 | http://www.etsi.org/deliver/etsi_ts/125100_125199/125102/03.13.00_60/ |
| Release 4 | | | | | |
| ARIB | ARIB STD-T63-25.102 | 4.12.0 | Approved | Jul 13 | http://www.arib.or.jp/english/html/overview/doc/STD-T63v10_00/2_T63/ARIB-STD-T63/Rel4/25/A25102-4c0.pdf |
| ATIS | ATIS.3GPP.25.102V4120-2009 | 4.12.0 | Approved | Jul 09 | https://www.atis.org/docstore/default.aspx |
| CCSA | CCSA-TSD-TDD-25.102 | 4.12.0 | Published | Jan 09 | http://www.ccsa.org.cn/english/tc/files.php?docpath=/ITU-R/M.1457/M.1457-12/TDD |
| ETSI | ETSI TS 125 102 | 4.12.0 | Published | Jan 09 | http://www.etsi.org/deliver/etsi_ts/125100_125199/125102/04.12.00_60/ |
| Release 5 | | | | | |
| ARIB | ARIB STD-T63-25.102 | 5.15.0 | Approved | Jul 13 | http://www.arib.or.jp/english/html/overview/doc/STD-T63v10_00/2_T63/ARIB-STD-T63/Rel5/25/A25102-5f0.pdf |
| ATIS | ATIS.3GPP.25.102V5150-2012 | 5.15.0 | Approved | Jul 12 | https://www.atis.org/docstore/default.aspx |
| CCSA | CCSA-TSD-TDD-25.102 | 5.15.0 | Published | Jun 12 | http://www.ccsa.org.cn/english/tc/files.php?docpath=/ITU-R/M.1457/M.1457-12/TDD |
| ETSI | ETSI TS 125 102 | 5.15.0 | Published | May 11 | http://www.etsi.org/deliver/etsi_ts/125100_125199/125102/05.15.00_60/ |
| Release 6 | | | | | |
| ARIB | ARIB STD-T63-25.102 | 6.13.0 | Approved | Jul 13 | http://www.arib.or.jp/english/html/overview/doc/STD-T63v10_00/2_T63/ARIB-STD-T63/Rel6/25/A25102-6d0.pdf |
| ATIS | ATIS.3GPP.25.102V6130-2012 | 6.13.0 | Approved | Jul 12 | https://www.atis.org/docstore/default.aspx |
| CCSA | CCSA-TSD-TDD-25.102 | 6.13.0 | Published | Jun 12 | http://www.ccsa.org.cn/english/tc/files.php?docpath=/ITU-R/M.1457/M.1457-12/TDD |
| ETSI | ETSI TS 125 102 | 6.13.0 | Published | May 11 | http://www.etsi.org/deliver/etsi_ts/125100_125199/125102/06.13.00_60/ |
| Release 7 | | | | | |

| | | | | | |
|-------------------|----------------------------|--------|-----------|--------|---|
| ARIB | ARIB STD-T63-25.102 | 7.21.0 | Approved | Jul 13 | http://www.arib.or.jp/english/html/overview/doc/STD-T63v10_00/2_T63/ARIB-STD-T63/Rel7/25/A25102-710.pdf |
| ATIS | ATIS.3GPP.25.102V7210-2012 | 7.21.0 | Approved | Jul 12 | https://www.atis.org/docstore/default.aspx |
| CCSA | CCSA-TSD-TDD-25.102 | 7.21.0 | Published | Jun 12 | http://www.ccsa.org.cn/english/tc/files.php?docpath=/ITU-R/M.1457/M.1457-12/TDD |
| ETSI | ETSI TS 125 102 | 7.21.0 | Published | Oct 11 | http://www.etsi.org/deliver/etsi_ts/125100_125199/125102/07.21.00_60/ |
| Release 8 | | | | | |
| ATIS | ATIS.3GPP.25.102V8130-2014 | 8.13.0 | Approved | May 14 | https://www.atis.org/docstore/default.aspx |
| CCSA | CCSA-TSD-TDD-25.102 | 8.11.0 | Published | Mar 10 | http://www.ccsa.org.cn/english/tc/files.php?docpath=/ITU-R/M.1457/M.1457-12/TDD |
| ETSI | ETSI TS 125 102 | 8.13.0 | Published | Oct 12 | http://www.etsi.org/deliver/etsi_ts/125100_125199/125102/08.13.00_60/ |
| Release 9 | | | | | |
| ATIS | ATIS.3GPP.25.102V970-2014 | 9.7.0 | Approved | May 14 | https://www.atis.org/docstore/default.aspx |
| CCSA | CCSA-TSD-TDD-25.102 | 9.5.0 | Published | Mar 10 | http://www.ccsa.org.cn/english/tc/files.php?docpath=/ITU-R/M.1457/M.1457-12/TDD |
| ETSI | ETSI TS 125 102 | 9.7.0 | Published | Oct 12 | http://www.etsi.org/deliver/etsi_ts/125100_125199/125102/09.07.00_60/ |
| Release 10 | | | | | |
| ATIS | ATIS.3GPP.25.102V1050-2014 | 10.5.0 | Approved | May 14 | https://www.atis.org/docstore/default.aspx |
| CCSA | CCSA-TSD-TDD-25.102 | 10.3.0 | Published | Jun 12 | http://www.ccsa.org.cn/english/tc/files.php?docpath=/ITU-R/M.1457/M.1457-12/TDD |
| ETSI | ETSI TS 125 102 | 10.5.0 | Published | Oct 12 | http://www.etsi.org/deliver/etsi_ts/125100_125199/125102/10.05.00_60/ |
| Release 11 | | | | | |
| ATIS | ATIS.3GPP.25.102V1140-2014 | 11.4.0 | Approved | May 14 | https://www.atis.org/docstore/default.aspx |
| CCSA | CCSA-TSD-TDD-25.102 | 11.6.0 | Published | Jun 14 | http://www.ccsa.org.cn/english/tc/files.php?docpath=/ITU-R/M.1457/M.1457-12/TDD |
| ETSI | ETSI TS 125 102 | 11.4.0 | Published | Apr 13 | http://www.etsi.org/deliver/etsi_ts/125100_125199/125102/11.04.00_60/ |

5.3.2.4.2 TS 25.123

Requirements for support of radio resource management (TDD)

This specification describes the requirements for support of radio resource management for TDD including requirements on measurements in UTRAN and the UE as well as on node dynamic behaviour and interaction, in terms of delay and response characteristics.

| SDO (2) | Document No. | Version | Status | Issued date | Location (1) |
|-------------------|----------------------------|---------|-----------|-------------|---|
| Release 99 | | | | | |
| ARIB | ARIB STD-T63-25.123 | 3.14.0 | Approved | Jul 13 | http://www.arib.or.jp/english/html/overview/doc/STD-T63v10_00/2_T63/ARIB-STD-T63/R99/25/A25123-3e0.pdf |
| ATIS | T1.3GPP.25.123V3140-2004 | 3.14.0 | Approved | May 04 | https://www.atis.org/docstore/default.aspx |
| CCSA | CCSA-TSD-TDD-25.123 | 3.14.0 | Published | Jan 04 | http://www.ccsa.org.cn/english/tc/files.php?docpath=/ITU-R/M.1457/M.1457-12/TDD |
| ETSI | ETSI TS 125 123 | 3.14.0 | Published | Jan 04 | http://www.etsi.org/deliver/etsi_ts/125100_125199/125123/03.14.00_60/ |
| Release 4 | | | | | |
| ARIB | ARIB STD-T63-25.123 | 4.16.0 | Approved | Jul 13 | http://www.arib.or.jp/english/html/overview/doc/STD-T63v10_00/2_T63/ARIB-STD-T63/Rel4/25/A25123-4g0.pdf |
| ATIS | ATIS.3GPP.25.123V4160-2009 | 4.16.0 | Approved | Jul 09 | https://www.atis.org/docstore/default.aspx |
| CCSA | CCSA-TSD-TDD-25.123 | 4.16.0 | Published | Jan 09 | http://www.ccsa.org.cn/english/tc/files.php?docpath=/ITU-R/M.1457/M.1457-12/TDD |
| ETSI | ETSI TS 125 123 | 4.16.0 | Published | Jan 09 | http://www.etsi.org/deliver/etsi_ts/125100_125199/125123/04.16.00_60/ |
| Release 5 | | | | | |
| ARIB | ARIB STD-T63-25.123 | 5.13.0 | Approved | Jul 13 | http://www.arib.or.jp/english/html/overview/doc/STD-T63v10_00/2_T63/ARIB-STD-T63/Rel5/25/A25123-5d0.pdf |
| ATIS | ATIS.3GPP.25.123V5130-2009 | 5.13.0 | Approved | Jul 09 | https://www.atis.org/docstore/default.aspx |
| CCSA | CCSA-TSD-TDD-25.123 | 5.13.0 | Published | Jan 09 | http://www.ccsa.org.cn/english/tc/files.php?docpath=/ITU-R/M.1457/M.1457-12/TDD |
| ETSI | ETSI TS 125 123 | 5.13.0 | Published | Jan 09 | http://www.etsi.org/deliver/etsi_ts/125100_125199/125123/05.13.00_60/ |

Release 6

| | | | | | |
|------|----------------------------|--------|-----------|--------|---|
| ARIB | ARIB STD-T63-25.123 | 6.12.0 | Approved | Jul 13 | http://www.arib.or.jp/english/html/overview/doc/STD-T63v10_00/2_T63/ARIB-STD-T63/Rel6/25/A25123-6c0.pdf |
| ATIS | ATIS.3GPP.25.123V6120-2009 | 6.12.0 | Approved | Jul 09 | https://www.atis.org/docstore/default.aspx |
| CCSA | CCSA-TSD-TDD-25.123 | 6.12.0 | Published | Jan 09 | http://www.ccsa.org.cn/english/tc/files.php?docpath=/ITU-R/M.1457/M.1457-12/TDD |
| ETSI | ETSI TS 125 123 | 6.12.0 | Published | Jan 09 | http://www.etsi.org/deliver/etsi_ts/125100_125199/125123/06.12.00_60/ |

Release 7

| | | | | | |
|------|----------------------------|--------|-----------|--------|---|
| ARIB | ARIB STD-T63-25.123 | 7.13.0 | Approved | Jul 13 | http://www.arib.or.jp/english/html/overview/doc/STD-T63v10_00/2_T63/ARIB-STD-T63/Rel7/25/A25123-7d0.pdf |
| ATIS | ATIS.3GPP.25.123V7130-2012 | 7.13.0 | Approved | Jul 12 | https://www.atis.org/docstore/default.aspx |
| CCSA | CCSA-TSD-TDD-25.123 | 7.13.0 | Published | Jun 12 | http://www.ccsa.org.cn/english/tc/files.php?docpath=/ITU-R/M.1457/M.1457-12/TDD |
| ETSI | ETSI TS 125 123 | 7.13.0 | Published | May 11 | http://www.etsi.org/deliver/etsi_ts/125100_125199/125123/07.13.00_60/ |

Release 8

| | | | | | |
|------|----------------------------|--------|-----------|--------|---|
| ATIS | ATIS.3GPP.25.123V8140-2014 | 8.14.0 | Approved | May 14 | https://www.atis.org/docstore/default.aspx |
| CCSA | CCSA-TSD-TDD-25.123 | 8.12.0 | Published | Jun 12 | http://www.ccsa.org.cn/english/tc/files.php?docpath=/ITU-R/M.1457/M.1457-12/TDD |
| ETSI | ETSI TS 125 123 | 8.14.0 | Published | Apr 13 | http://www.etsi.org/deliver/etsi_ts/125100_125199/125123/08.14.00_60/ |

Release 9

| | | | | | |
|------|---------------------------|-------|-----------|--------|---|
| ATIS | ATIS.3GPP.25.123V990-2014 | 9.9.0 | Approved | May 14 | https://www.atis.org/docstore/default.aspx |
| CCSA | CCSA-TSD-TDD-25.123 | 9.7.0 | Published | Jun 12 | http://www.ccsa.org.cn/english/tc/files.php?docpath=/ITU-R/M.1457/M.1457-12/TDD |
| ETSI | ETSI TS 125 123 | 9.9.0 | Published | Apr 13 | http://www.etsi.org/deliver/etsi_ts/125100_125199/125123/09.09.00_60/ |

Release 10

| | | | | | |
|------|----------------------------|--------|-----------|--------|---|
| ATIS | ATIS.3GPP.25.123V1080-2014 | 10.8.0 | Approved | May 14 | https://www.atis.org/docstore/default.aspx |
| ETSI | ETSI TS 125 123 | 10.8.0 | Published | Apr 13 | http://www.etsi.org/deliver/etsi_ts/125100_125199/125123/10.08.00_60/ |

Release 11

| | | | | | |
|------|----------------------------|--------|-----------|--------|---|
| ATIS | ATIS.3GPP.25.123V1120-2014 | 11.2.0 | Approved | May 14 | https://www.atis.org/docstore/default.aspx |
| CCSA | CCSA-TSD-TDD-25.123 | 11.4.2 | Published | Jun 14 | http://www.ccsa.org.cn/english/tc/files.php?docpath=/ITU-R/M.1457/M.1457-12/TDD |
| ETSI | ETSI TS 125 123 | 11.2.0 | Published | Apr 13 | http://www.etsi.org/deliver/etsi_ts/125100_125199/125123/11.02.00_60/ |

5.3.2.4.3 TS 25.105**Base Station (BS) radio transmission and reception (TDD)**

This specification describes the minimum RF characteristics of the TDD mode of UTRA. The values in the TS make no allowance for measurements uncertainties in conformance testing. Test limit to be used for conformance testing are specified separately in the base station conformance test Specification TS 25.142.

| SDO (2) | Document No. | Version | Status | Issued date | Location (1) |
|-------------------|----------------------------|---------|-----------|-------------|---|
| Release 99 | | | | | |
| ARIB | ARIB STD-T63-25.105 | 3.16.0 | Approved | Jul 13 | http://www.arib.or.jp/english/html/overview/doc/STD-T63v10_00/2_T63/ARIB-STD-T63/R99/25/A25105-3g0.pdf |
| ATIS | ATIS.3GPP.25.105V3160-2008 | 3.16.0 | Approved | Oct 08 | https://www.atis.org/docstore/default.aspx |
| CCSA | CCSA-TSD-TDD-25.105 | 3.16.0 | Published | Apr 08 | http://www.ccsa.org.cn/english/tc/files.php?docpath=/ITU-R/M.1457/M.1457-12/TDD |
| ETSI | ETSI TS 125 105 | 3.16.0 | Published | Apr 08 | http://www.etsi.org/deliver/etsi_ts/125100_125199/125105/03.16.00_60/ |
| TTC | TS-3GA-25.410(R99)v3.8.0 | 3.8.0 | Approved | Nov 02 | http://www.ttc.or.jp/j/document_list/free/TS/TS-3GA-25.410(R99)v3.8.0.pdf |
| Release 4 | | | | | |
| ARIB | ARIB STD-T63-25.105 | 4.12.0 | Approved | Jul 13 | http://www.arib.or.jp/english/html/overview/doc/STD-T63v10_00/2_T63/ARIB-STD-T63/Rel4/25/A25105-4c0.pdf |

| | | | | | |
|-------------------|-----------------------------|--------|-----------|--------|---|
| ATIS | ATIS.3GPP.25.105V4120-2009 | 4.12.0 | Approved | Jul 09 | https://www.atis.org/docstore/default.aspx |
| CCSA | CCSA-TSD-TDD-25.105 | 4.12.0 | Published | Jan 09 | http://www.ccsa.org.cn/english/tc/files.php?docpath=/ITU-R/M.1457/M.1457-12/TDD |
| ETSI | ETSI TS 125 105 | 4.12.0 | Published | Jan 09 | http://www.etsi.org/deliver/etsi_ts/125100_125199/125105/04.12.00_60/ |
| TTC | TS-3GA-25.410(Rel4)v4.5.0 | 4.5.0 | Approved | Nov 02 | http://www.ttc.or.jp/j/document_list/free/TS/TS-3GA-25.410(Rel4)v4.5.0.pdf |
| Release 5 | | | | | |
| ARIB | ARIB STD-T63-25.105 | 5.11.0 | Approved | Jul 13 | http://www.arib.or.jp/english/html/overview/doc/STD-T63v10_00/2_T63/ARIB-STD-T63/Rel5/25/A25105-5b0.pdf |
| ATIS | ATIS.3GPP.25.105V5110-2010 | 5.11.0 | Approved | Jul 10 | https://www.atis.org/docstore/default.aspx |
| CCSA | CCSA-TSD-TDD-25.105 | 5.11.0 | Published | Mar 10 | http://www.ccsa.org.cn/english/tc/files.php?docpath=/ITU-R/M.1457/M.1457-12/TDD |
| ETSI | ETSI TS 125 105 | 5.11.0 | Published | Jul 09 | http://www.etsi.org/deliver/etsi_ts/125100_125199/125105/05.11.00_60/ |
| TTC | TS-3GA-25.410(Rel5)v5.4.0 | 5.4.0 | Approved | Aug 04 | http://www.ttc.or.jp/j/document_list/free/TS/TS-3GA-25.410(Rel5)v5.4.0.pdf |
| Release 6 | | | | | |
| ARIB | ARIB STD-T63-25.105 | 6.8.0 | Approved | Jul 13 | http://www.arib.or.jp/english/html/overview/doc/STD-T63v10_00/2_T63/ARIB-STD-T63/Rel6/25/A25105-680.pdf |
| ATIS | ATIS.3GPP.25.105V680-2010 | 6.8.0 | Approved | Jul 10 | https://www.atis.org/docstore/default.aspx |
| ATIS | ATIS.3GPP.25.410V650-2007 | 6.5.0 | Approved | Oct 07 | https://www.atis.org/docstore/default.aspx |
| CCSA | CCSA-TSD-TDD-25.105 | 6.8.0 | Published | Mar 10 | http://www.ccsa.org.cn/english/tc/files.php?docpath=/ITU-R/M.1457/M.1457-12/TDD |
| ETSI | ETSI TS 125 105 | 6.8.0 | Published | Jul 09 | http://www.etsi.org/deliver/etsi_ts/125100_125199/125105/06.08.00_60/ |
| TTC | TS-3GA-25.410(Rel6)v6.5.0 | 6.5.0 | Approved | Mar 07 | http://www.ttc.or.jp/j/document_list/free/TS/TS-3GA-25.410(Rel6)v6.5.0.pdf |
| Release 7 | | | | | |
| ARIB | ARIB STD-T63-25.105 | 7.14.0 | Approved | Jul 13 | http://www.arib.or.jp/english/html/overview/doc/STD-T63v10_00/2_T63/ARIB-STD-T63/Rel7/25/A25105-7e0.pdf |
| ATIS | ATIS.3GPP.25.105V7140-2010 | 7.14.0 | Approved | Jul 10 | https://www.atis.org/docstore/default.aspx |
| CCSA | CCSA-TSD-TDD-25.105 | 7.14.0 | Published | Mar 10 | http://www.ccsa.org.cn/english/tc/files.php?docpath=/ITU-R/M.1457/M.1457-12/TDD |
| ETSI | ETSI TS 125 105 | 7.14.0 | Published | Apr 10 | http://www.etsi.org/deliver/etsi_ts/125100_125199/125105/07.14.00_60/ |
| TTC | TS-3GA-25.410(Rel7)v7.0.0 | 7.0.0 | Approved | Mar 08 | http://www.ttc.or.jp/j/document_list/free/TS/TS-3GA-25.410(Rel7)v7.0.0.pdf |
| Release 8 | | | | | |
| ATIS | ATIS.3GPP.25.105V890-2014 | 8.9.0 | Approved | May 14 | https://www.atis.org/docstore/default.aspx |
| CCSA | CCSA-TSD-TDD-25.105 | 8.7.0 | Published | Mar 10 | http://www.ccsa.org.cn/english/tc/files.php?docpath=/ITU-R/M.1457/M.1457-12/TDD |
| ETSI | ETSI TS 125 105 | 8.9.0 | Published | Oct 12 | http://www.etsi.org/deliver/etsi_ts/125100_125199/125105/08.09.00_60/ |
| TTC | TS-3GA-25.410(Rel8)v8.1.0 | 8.1.0 | Approved | Jul 09 | http://www.ttc.or.jp/j/document_list/free/3gpps2009/TS/TS-3GA-25.410(Rel8)v8.1.0.pdf |
| Release 9 | | | | | |
| ATIS | ATIS.3GPP.25.105V940-2014 | 9.4.0 | Approved | May 14 | https://www.atis.org/docstore/default.aspx |
| CCSA | CCSA-TSD-TDD-25.105 | 9.2.0 | Published | Jun 12 | http://www.ccsa.org.cn/english/tc/files.php?docpath=/ITU-R/M.1457/M.1457-12/TDD |
| ETSI | ETSI TS 125 105 | 9.4.0 | Published | Oct 12 | http://www.etsi.org/deliver/etsi_ts/125100_125199/125105/09.04.00_60/ |
| TTC | TS-3GA-25.410(Rel9)v9.0.0 | 9.0.0 | Approved | Jul 10 | http://www.ttc.or.jp/j/document_list/free/3gpps2010/TS/TS-3GA-25.410(Rel9)v9.0.0.pdf |
| Release 10 | | | | | |
| ATIS | ATIS.3GPP.25.105V1050-2014 | 10.5.0 | Approved | May 14 | https://www.atis.org/docstore/default.aspx |
| CCSA | CCSA-TSD-TDD-25.105 | 10.3.0 | Published | Jun 12 | http://www.ccsa.org.cn/english/tc/files.php?docpath=/ITU-R/M.1457/M.1457-12/TDD |
| ETSI | ETSI TS 125 105 | 10.5.0 | Published | Oct 12 | http://www.etsi.org/deliver/etsi_ts/125100_125199/125105/10.05.00_60/ |
| TTC | TS-3GA-25.410(Rel10)v10.2.0 | 10.2.0 | Approved | Aug 11 | http://www.ttc.or.jp/j/document_list/free/3gpps2011/TS/TS-3GA-25.410(Rel10)v10.2.0.pdf |
| Release 11 | | | | | |
| ATIS | ATIS.3GPP.25.105V1130-2014 | 11.3.0 | Approved | May 14 | https://www.atis.org/docstore/default.aspx |
| CCSA | CCSA-TSD-TDD-25.105 | 11.6.0 | Published | Jun 14 | http://www.ccsa.org.cn/english/tc/files.php?docpath=/ITU-R/M.1457/M.1457-12/TDD |
| ETSI | ETSI TS 125 105 | 11.3.0 | Published | Apr 13 | http://www.etsi.org/deliver/etsi_ts/125100_125199/125105/11.03.00_60/ |
| TTC | TS-3GA-25.410(Rel11)v11.0.0 | 11.0.0 | Approved | Jun 13 | http://www.ttc.or.jp/j/document_list/free/3gpps2013/TS/TS-3GA-25.410(Rel11)v11.0.0.pdf |

5.3.2.4.4 TS 25.142

Base Station (BS) conformance testing (TDD)

This specification describes the radio frequency (RF) test methods and conformance requirements for UTRA base transceiver stations (BTS) operating in the TDD mode. These have been derived from, and are consistent with, the core UTRA specifications specified in the requirements reference sub-clause of each test. The maximum acceptable measurement uncertainty is specified in the TS for each test, where appropriate.

| SDO (2) | Document No. | Version | Status | Issued date | Location (1) |
|-------------------|----------------------------|---------|-----------|-------------|---|
| Release 99 | | | | | |
| ARIB | ARIB STD-T63-25.142 | 3.15.0 | Approved | Jul 13 | http://www.arib.or.jp/english/html/overview/doc/STD-T63v10_00/2_T63/ARIB-STD-T63/R99/25/A25142-3f0.pdf |
| ATIS | ATIS.3GPP.25.142V3150-2007 | 3.15.0 | Approved | Oct 07 | https://www.atis.org/docstore/default.aspx |
| CCSA | CCSA-TSD-TDD-25.142 | 3.15.0 | Published | Jun 07 | http://www.ccsa.org.cn/english/tc/files.php?docpath=/ITU-R/M.1457/M.1457-12/TDD |
| ETSI | ETSI TS 125 142 | 3.15.0 | Published | Jun 07 | http://www.etsi.org/deliver/etsi_ts/125100_125199/125142/03.15.00_60/ |
| Release 4 | | | | | |
| ARIB | ARIB STD-T63-25.142 | 4.13.0 | Approved | Jul 13 | http://www.arib.or.jp/english/html/overview/doc/STD-T63v10_00/2_T63/ARIB-STD-T63/Rel4/25/A25142-4d0.pdf |
| CCSA | CCSA-TSD-TDD-25.142 | 4.13.0 | Published | Mar 09 | http://www.ccsa.org.cn/english/tc/files.php?docpath=/ITU-R/M.1457/M.1457-12/TDD |
| ETSI | ETSI TS 125 142 | 4.13.0 | Published | Mar 09 | http://www.etsi.org/deliver/etsi_ts/125100_125199/125142/04.13.00_60/ |
| Release 5 | | | | | |
| ARIB | ARIB STD-T63-25.142 | 5.12.0 | Approved | Jul 13 | http://www.arib.or.jp/english/html/overview/doc/STD-T63v10_00/2_T63/ARIB-STD-T63/Rel5/25/A25142-5c0.pdf |
| ATIS | ATIS.3GPP.25.142V5120-2010 | 5.12.0 | Approved | Jul 10 | https://www.atis.org/docstore/default.aspx |
| CCSA | CCSA-TSD-TDD-25.142 | 5.12.0 | Published | Mar 10 | http://www.ccsa.org.cn/english/tc/files.php?docpath=/ITU-R/M.1457/M.1457-12/TDD |
| ETSI | ETSI TS 125 142 | 5.12.0 | Published | Jul 09 | http://www.etsi.org/deliver/etsi_ts/125100_125199/125142/05.12.00_60/ |
| Release 6 | | | | | |
| ARIB | ARIB STD-T63-25.142 | 6.10.0 | Approved | Jul 13 | http://www.arib.or.jp/english/html/overview/doc/STD-T63v10_00/2_T63/ARIB-STD-T63/Rel6/25/A25142-6a0.pdf |
| ATIS | ATIS.3GPP.25.142V6100-2010 | 6.10.0 | Approved | Jul 10 | https://www.atis.org/docstore/default.aspx |
| CCSA | CCSA-TSD-TDD-25.142 | 6.10.0 | Published | Mar 10 | http://www.ccsa.org.cn/english/tc/files.php?docpath=/ITU-R/M.1457/M.1457-12/TDD |
| ETSI | ETSI TS 125 142 | 6.10.0 | Published | Jul 09 | http://www.etsi.org/deliver/etsi_ts/125100_125199/125142/06.10.00_60/ |
| Release 7 | | | | | |
| ARIB | ARIB STD-T63-25.142 | 7.14.0 | Approved | Jul 13 | http://www.arib.or.jp/english/html/overview/doc/STD-T63v10_00/2_T63/ARIB-STD-T63/Rel7/25/A25142-7e0.pdf |
| ATIS | ATIS.3GPP.25.142V7140-2010 | 7.14.0 | Approved | Jul 10 | https://www.atis.org/docstore/default.aspx |
| CCSA | CCSA-TSD-TDD-25.142 | 7.14.0 | Published | Jun 12 | http://www.ccsa.org.cn/english/tc/files.php?docpath=/ITU-R/M.1457/M.1457-12/TDD |
| ETSI | ETSI TS 125 142 | 7.14.0 | Published | Apr 10 | http://www.etsi.org/deliver/etsi_ts/125100_125199/125142/07.14.00_60/ |
| Release 8 | | | | | |
| ATIS | ATIS.3GPP.25.142V890-2014 | 8.9.0 | Approved | May 14 | https://www.atis.org/docstore/default.aspx |
| CCSA | CCSA-TSD-TDD-25.142 | 8.7.0 | Published | Jun 12 | http://www.ccsa.org.cn/english/tc/files.php?docpath=/ITU-R/M.1457/M.1457-12/TDD |
| ETSI | ETSI TS 125 142 | 8.9.0 | Published | Oct 12 | http://www.etsi.org/deliver/etsi_ts/125100_125199/125142/08.09.00_60/ |
| Release 9 | | | | | |
| ATIS | ATIS.3GPP.25.142V960-2014 | 9.6.0 | Approved | May 14 | https://www.atis.org/docstore/default.aspx |
| CCSA | CCSA-TSD-TDD-25.142 | 9.4.0 | Published | Jun 12 | http://www.ccsa.org.cn/english/tc/files.php?docpath=/ITU-R/M.1457/M.1457-12/TDD |
| ETSI | ETSI TS 125 142 | 9.6.0 | Published | Oct 12 | http://www.etsi.org/deliver/etsi_ts/125100_125199/125142/09.06.00_60/ |
| Release 10 | | | | | |
| ATIS | ATIS.3GPP.25.142V1050-2014 | 10.5.0 | Approved | May 14 | https://www.atis.org/docstore/default.aspx |

| | | | | | |
|-------------------|----------------------------|--------|-----------|--------|---|
| CCSA | CCSA-TSD-TDD-25.142 | 10.3.0 | Published | Jun 12 | http://www.ccsa.org.cn/english/tc/files.php?docpath=/ITU-R/M.1457/M.1457-12/TDD |
| ETSI | ETSI TS 125 142 | 10.5.0 | Published | Oct 12 | http://www.etsi.org/deliver/etsi_ts/125100_125199/125142/10.05.00_60/ |
| Release 11 | | | | | |
| ATIS | ATIS.3GPP.25.142V1120-2014 | 11.2.0 | Approved | May 14 | https://www.atis.org/docstore/default.aspx |
| CCSA | CCSA-TSD-TDD-25.142 | 11.3.0 | Published | Jun 14 | http://www.ccsa.org.cn/english/tc/files.php?docpath=/ITU-R/M.1457/M.1457-12/TDD |
| ETSI | ETSI TS 125 142 | 11.2.0 | Published | Apr 13 | http://www.etsi.org/deliver/etsi_ts/125100_125199/125142/11.02.00_60/ |

5.3.2.4.5 TS 25.113

Base station (BS) and repeater electromagnetic compatibility (EMC)

This specification describes the assessment of base stations and associated ancillary equipment in respect of EMC. This specification does not include the antenna port immunity and emissions.

| SDO (2) | Document No. | Version | Status | Issued date | Location (1) |
|-------------------|---------------------------|---------|-----------|-------------|---|
| Release 99 | | | | | |
| ARIB | ARIB STD-T63-25.113 | 3.5.0 | Approved | Jul 13 | http://www.arib.or.jp/english/html/overview/doc/STD-T63v10_00/2_T63/ARIB-STD-T63/R99/25/A25113-350.pdf |
| ATIS | T1.3GPP.25.113V350-2002 | 3.5.0 | Approved | May 02 | https://www.atis.org/docstore/default.aspx |
| CCSA | CCSA-TSD-TDD-25.113 | 3.5.0 | Published | May 01 | http://www.ccsa.org.cn/english/tc/files.php?docpath=/ITU-R/M.1457/M.1457-12/TDD |
| ETSI | ETSI TS 125 113 | 3.5.0 | Published | May 01 | http://www.etsi.org/deliver/etsi_ts/125100_125199/125113/03.05.00_60/ |
| Release 4 | | | | | |
| ARIB | ARIB STD-T63-25.113 | 4.4.0 | Approved | Jul 13 | http://www.arib.or.jp/english/html/overview/doc/STD-T63v10_00/2_T63/ARIB-STD-T63/Rel4/25/A25113-440.pdf |
| ATIS | T1.3GPP.25.113V440-2003 | 4.4.0 | Approved | Mar 03 | https://www.atis.org/docstore/default.aspx |
| CCSA | CCSA-TSD-TDD-25.113 | 4.4.0 | Published | Jan 03 | http://www.ccsa.org.cn/english/tc/files.php?docpath=/ITU-R/M.1457/M.1457-12/TDD |
| ETSI | ETSI TS 125 113 | 4.4.0 | Published | Jan 03 | http://www.etsi.org/deliver/etsi_ts/125100_125199/125113/04.04.00_60/ |
| Release 5 | | | | | |
| ARIB | ARIB STD-T63-25.113 | 5.5.0 | Approved | Jul 13 | http://www.arib.or.jp/english/html/overview/doc/STD-T63v10_00/2_T63/ARIB-STD-T63/Rel5/25/A25113-550.pdf |
| ATIS | T1.3GPP.25.113V550-2004 | 5.5.0 | Approved | May 04 | https://www.atis.org/docstore/default.aspx |
| CCSA | CCSA-TSD-TDD-25.113 | 5.5.0 | Published | Jan 04 | http://www.ccsa.org.cn/english/tc/files.php?docpath=/ITU-R/M.1457/M.1457-12/TDD |
| ETSI | ETSI TS 125 113 | 5.5.0 | Published | Jan 04 | http://www.etsi.org/deliver/etsi_ts/125100_125199/125113/05.05.00_60/ |
| Release 6 | | | | | |
| ARIB | ARIB STD-T63-25.113 | 6.24.0 | Approved | Jul 13 | http://www.arib.or.jp/english/html/overview/doc/STD-T63v10_00/2_T63/ARIB-STD-T63/Rel6/25/A25113-640.pdf |
| ATIS | ATIS.3GPP.25.113V640-2007 | 6.4.0 | Approved | Oct 07 | https://www.atis.org/docstore/default.aspx |
| CCSA | CCSA-TSD-TDD-25.113 | 6.4.0 | Published | Jun 06 | http://www.ccsa.org.cn/english/tc/files.php?docpath=/ITU-R/M.1457/M.1457-12/TDD |
| ETSI | ETSI TS 125 113 | 6.4.0 | Published | Jun 06 | http://www.etsi.org/deliver/etsi_ts/125100_125199/125113/06.04.00_60/ |
| Release 7 | | | | | |
| ARIB | ARIB STD-T63-25.113 | 7.6.0 | Approved | Jul 13 | http://www.arib.or.jp/english/html/overview/doc/STD-T63v10_00/2_T63/ARIB-STD-T63/Rel7/25/A25113-760.pdf |
| ATIS | ATIS.3GPP.25.113V760-2007 | 7.6.0 | Approved | Oct 07 | https://www.atis.org/docstore/default.aspx |
| CCSA | CCSA-TSD-TDD-25.113 | 7.6.0 | Published | Mar 07 | http://www.ccsa.org.cn/english/tc/files.php?docpath=/ITU-R/M.1457/M.1457-12/TDD |
| ETSI | ETSI TS 125 113 | 7.6.0 | Published | Mar 07 | http://www.etsi.org/deliver/etsi_ts/125100_125199/125113/07.06.00_60/ |
| Release 8 | | | | | |
| ARIB | ARIB STD-T63-25.113 | 8.6.0 | Approved | Jul 13 | http://www.arib.or.jp/english/html/overview/doc/STD-T63v10_00/2_T63/ARIB-STD-T63/Rel8/25/A25113-860.pdf |
| ATIS | ATIS.3GPP.25.113V860-2012 | 8.6.0 | Approved | Jul 12 | https://www.atis.org/docstore/default.aspx |
| CCSA | CCSA-TSD-TDD-25.113 | 8.6.0 | Published | Jun 12 | http://www.ccsa.org.cn/english/tc/files.php?docpath=/ITU-R/M.1457/M.1457-12/TDD |

| | | | | | |
|-------------------|----------------------------|--------|-----------|--------|---|
| ETSI | ETSI TS 125 113 | 8.6.0 | Published | Jan 11 | http://www.etsi.org/deliver/etsi_ts/125100_125199/125113/08.06.00_60/ |
| Release 9 | | | | | |
| ARIB | ARIB STD-T63-25.113 | 9.5.0 | Approved | Jul 13 | http://www.arib.or.jp/english/html/overview/doc/STD-T63v10_00/2_T63/ARIB-STD-T63/Rel9/25/A25113-950.pdf |
| ATIS | ATIS.3GPP.25.113V950-2012 | 9.5.0 | Approved | Jul 12 | https://www.atis.org/docstore/default.aspx |
| CCSA | CCSA-TSD-TDD-25.113 | 9.5.0 | Published | Jun 12 | http://www.ccsa.org.cn/english/tc/files.php?docpath=/ITU-R/M.1457/M.1457-12/TDD |
| ETSI | ETSI TS 125 113 | 9.5.0 | Published | May 11 | http://www.etsi.org/deliver/etsi_ts/125100_125199/125113/09.05.00_60/ |
| Release 10 | | | | | |
| ARIB | ARIB STD-T63-25.113 | 10.2.0 | Approved | Jul 13 | http://www.arib.or.jp/english/html/overview/doc/STD-T63v10_10/2_T63/ARIB-STD-T63/Rel10/25/A25113-a20.pdf |
| ATIS | ATIS.3GPP.25.113V1020-2012 | 10.2.0 | Approved | Jul 12 | https://www.atis.org/docstore/default.aspx |
| CCSA | CCSA-TSD-TDD-25.113 | 10.2.0 | Published | Jun 12 | http://www.ccsa.org.cn/english/tc/files.php?docpath=/ITU-R/M.1457/M.1457-12/TDD |
| ETSI | ETSI TS 125 113 | 10.2.0 | Published | Oct 11 | http://www.etsi.org/deliver/etsi_ts/125100_125199/125113/10.02.00_60/ |
| Release 11 | | | | | |
| ARIB | ARIB STD-T63-25.113 | 11.0.0 | Approved | Jul 13 | http://www.arib.or.jp/english/html/overview/doc/STD-T63v10_00/2_T63/ARIB-STD-T63/Rel11/25/A25113-b00.pdf |
| ATIS | ATIS.3GPP.25.113V1100-2014 | 11.0.0 | Approved | May 14 | https://www.atis.org/docstore/default.aspx |
| CCSA | CCSA-TSD-TDD-25.113 | 11.0.0 | Published | Jun 14 | http://www.ccsa.org.cn/english/tc/files.php?docpath=/ITU-R/M.1457/M.1457-12/TDD |
| ETSI | ETSI TS 125 113 | 11.0.0 | Published | Nov 12 | http://www.etsi.org/deliver/etsi_ts/125100_125199/125113/11.00.00_60/ |

5.3.2.4.6 TS 25.144

User Equipment (UE) and Mobile Station (MS) over the air performance requirements

This document establishes Over the Air antenna minimum requirements for User Equipment (UE) and Mobile Station (MS).

| SDO (2) | Document No. | Version | Status | Issued date | Location (1) |
|-------------------|----------------------------|---------|-----------|-------------|---|
| Release 7 | | | | | |
| ARIB | ARIB STD-T63-25.144 | 7.0.0 | Approved | Jul 13 | http://www.arib.or.jp/english/html/overview/doc/STD-T63v10_00/2_T63/ARIB-STD-T63/Rel7/25/A25144-700.pdf |
| CCSA | CCSA-TSD-TDD-25.144 | 7.0.0 | Published | Jun 07 | http://www.ccsa.org.cn/english/tc/files.php?docpath=/ITU-R/M.1457/M.1457-12/TDD |
| ETSI | ETSI TS 125 144 | 7.0.0 | Published | Jun 07 | http://www.etsi.org/deliver/etsi_ts/125100_125199/125144/07.00.00_60/ |
| Release 8 | | | | | |
| ARIB | ARIB STD-T63-25.144 | 8.1.0 | Approved | Jul 13 | http://www.arib.or.jp/english/html/overview/doc/STD-T63v10_00/2_T63/ARIB-STD-T63/Rel8/25/A25144-810.pdf |
| ATIS | ATIS.3GPP.25.144V810-2009 | 8.1.0 | Approved | Jul 09 | https://www.atis.org/docstore/default.aspx |
| CCSA | CCSA-TSD-TDD-25.144 | 8.1.0 | Published | Mar 09 | http://www.ccsa.org.cn/english/tc/files.php?docpath=/ITU-R/M.1457/M.1457-12/TDD |
| ETSI | ETSI TS 125 144 | 8.1.0 | Published | Mar 09 | http://www.etsi.org/deliver/etsi_ts/125100_125199/125144/08.01.00_60/ |
| Release 9 | | | | | |
| ARIB | ARIB STD-T63-25.144 | 9.3.0 | Approved | Jul 13 | http://www.arib.or.jp/english/html/overview/doc/STD-T63v10_00/2_T63/ARIB-STD-T63/Rel9/25/A25144-930.pdf |
| ATIS | ATIS.3GPP.25.144V930-2012 | 9.3.0 | Approved | Jul 12 | https://www.atis.org/docstore/default.aspx |
| CCSA | CCSA-TSD-TDD-25.144 | 9.3.0 | Published | Jun 12 | http://www.ccsa.org.cn/english/tc/files.php?docpath=/ITU-R/M.1457/M.1457-12/TDD |
| ETSI | ETSI TS 125 144 | 9.3.0 | Published | Jan 11 | http://www.etsi.org/deliver/etsi_ts/125100_125199/125144/09.03.00_60/ |
| Release 10 | | | | | |
| ARIB | ARIB STD-T63-25.144 | 10.2.0 | Approved | Jul 13 | http://www.arib.or.jp/english/html/overview/doc/STD-T63v10_00/2_T63/ARIB-STD-T63/Rel10/25/A25144-a20.pdf |
| ATIS | ATIS.3GPP.25.144V1020-2014 | 10.2.0 | Approved | May 14 | https://www.atis.org/docstore/default.aspx |
| CCSA | CCSA-TSD-TDD-25.144 | 10.0.0 | Published | Jun 12 | http://www.ccsa.org.cn/english/tc/files.php?docpath=/ITU-R/M.1457/M.1457-12/TDD |
| ETSI | ETSI TS 125 144 | 10.2.0 | Published | Jul 12 | http://www.etsi.org/deliver/etsi_ts/125100_125199/125144/10.02.00_60/ |
| Release 11 | | | | | |

| | | | | | |
|------|----------------------------|--------|-----------|--------|---|
| ARIB | ARIB STD-T63-25.144 | 11.2.0 | Approved | Jul 13 | http://www.arib.or.jp/english/html/overview/doc/STD-T63v10_00/2_T63/ARIB-STD-T63/Rel11/25/A25144-b20.pdf |
| ATIS | ATIS.3GPP.25.144V1120-2014 | 11.2.0 | Approved | May 14 | https://www.atis.org/docstore/default.aspx |
| CCSA | CCSA-TSD-TDD-25.144 | 11.2.0 | Published | Jun 14 | http://www.ccsa.org.cn/english/tc/files.php?docpath=/ITU-R/M.1457/M.1457-12/TDD |
| ETSI | ETSI TS 125 144 | 11.2.0 | Published | Nov 12 | http://www.etsi.org/deliver/etsi_ts/125100_125199/125144/11.02.00_60/ |

5.3.2.5 34.100 series

5.3.2.5.1 TS 34.108

Common test environments for User Equipment (UE); Conformance testing

This document contains definitions of reference conditions and test signals, default parameters, reference Radio Bearer configurations, common requirements for test equipment and generic set-up procedures for use in UE conformance tests.

| SDO (2) | Document No. | Version | Status | Issued date | Location (1) |
|-------------------|----------------------------|---------|-----------|-------------|---|
| Release 99 | | | | | |
| ARIB | ARIB STD-T63-34.108 | 3.16.0 | Approved | Jul 13 | http://www.arib.or.jp/english/html/overview/doc/STD-T63v10_00/2_T63/ARIB-STD-T63/R99/34/A34108-3g0.pdf |
| ATIS | ATIS.3GPP.34.108V3160-2005 | 3.16.0 | Approved | Apr 05 | https://www.atis.org/docstore/default.aspx |
| CCSA | CCSA-TSD-TDD-34.108 | 3.16.0 | Published | Jul 04 | http://www.ccsa.org.cn/english/tc/files.php?docpath=/ITU-R/M.1457/M.1457-12/TDD |
| ETSI | ETSI TS 134 108 | 3.16.0 | Published | Jul 04 | http://www.etsi.org/deliver/etsi_ts/134100_134199/134108/03.16.00_60/ |
| Release 4 | | | | | |
| ARIB | ARIB STD-T63-34.108 | 4.11.0 | Approved | Jul 13 | http://www.arib.or.jp/english/html/overview/doc/STD-T63v10_00/2_T63/ARIB-STD-T63/Rel4/34/A34108-4b0.pdf |
| ATIS | ATIS.3GPP.34.108V4110-2005 | 4.11.0 | Approved | Apr 05 | https://www.atis.org/docstore/default.aspx |
| CCSA | CCSA-TSD-TDD-34.108 | 4.11.0 | Published | Jul 04 | http://www.ccsa.org.cn/english/tc/files.php?docpath=/ITU-R/M.1457/M.1457-12/TDD |
| ETSI | ETSI TS 134 108 | 4.11.0 | Published | Jul 04 | http://www.etsi.org/deliver/etsi_ts/134100_134199/134108/04.11.00_60/ |
| Release 5 | | | | | |
| ARIB | ARIB STD-T63-34.108 | 5.6.0 | Approved | Jul 13 | http://www.arib.or.jp/english/html/overview/doc/STD-T63v10_00/2_T63/ARIB-STD-T63/Rel5/34/A34108-560.pdf |
| ATIS | ATIS.3GPP.34.108V560-2006 | 5.6.0 | Approved | Apr 06 | https://www.atis.org/docstore/default.aspx |
| CCSA | CCSA-TSD-TDD-34.108 | 5.6.0 | Published | Oct 05 | http://www.ccsa.org.cn/english/tc/files.php?docpath=/ITU-R/M.1457/M.1457-12/TDD |
| ETSI | ETSI TS 134 108 | 5.6.0 | Published | Oct 05 | http://www.etsi.org/deliver/etsi_ts/134100_134199/134108/05.06.00_60/ |
| Release 6 | | | | | |
| ARIB | ARIB STD-T63-34.108 | 6.6.0 | Approved | Jul 13 | http://www.arib.or.jp/english/html/overview/doc/STD-T63v10_00/2_T63/ARIB-STD-T63/Rel6/34/A34108-660.pdf |
| ATIS | ATIS.3GPP.34.108V660-2007 | 6.6.0 | Approved | Oct 07 | https://www.atis.org/docstore/default.aspx |
| CCSA | CCSA-TSD-TDD-34.108 | 6.6.0 | Published | Mar 07 | http://www.ccsa.org.cn/english/tc/files.php?docpath=/ITU-R/M.1457/M.1457-12/TDD |
| ETSI | ETSI TS 134 108 | 6.6.0 | Published | Mar 07 | http://www.etsi.org/deliver/etsi_ts/134100_134199/134108/06.06.00_60/ |
| Release 7 | | | | | |
| ARIB | ARIB STD-T63-34.108 | 7.2.0 | Approved | Jul 13 | http://www.arib.or.jp/english/html/overview/doc/STD-T63v10_00/2_T63/ARIB-STD-T63/Rel7/34/A34108-720.pdf |
| ATIS | ATIS.3GPP.34.108V720-2007 | 7.2.0 | Approved | Oct 07 | https://www.atis.org/docstore/default.aspx |
| CCSA | CCSA-TSD-TDD-34.108 | 7.2.0 | Published | Oct 07 | http://www.ccsa.org.cn/english/tc/files.php?docpath=/ITU-R/M.1457/M.1457-12/TDD |
| ETSI | ETSI TS 134 108 | 7.2.0 | Published | Oct 07 | http://www.etsi.org/deliver/etsi_ts/134100_134199/134108/07.02.00_60/ |
| Release 8 | | | | | |
| ARIB | ARIB STD-T63-34.108 | 8.11.0 | Approved | Jul 13 | http://www.arib.or.jp/english/html/overview/doc/STD-T63v10_00/2_T63/ARIB-STD-T63/Rel8/34/A34108-8b0.pdf |
| ATIS | ATIS.3GPP.34.108V8110-2012 | 8.11.0 | Approved | Jul 12 | https://www.atis.org/docstore/default.aspx |
| CCSA | CCSA-TSD-TDD-34.108 | 8.11.0 | Published | Jun 12 | http://www.ccsa.org.cn/english/tc/files.php?docpath=/ITU-R/M.1457/M.1457-12/TDD |

| | | | | | |
|-------------------|----------------------------|--------|-----------|--------|---|
| ETSI | ETSI TS 134 108 | 8.11.0 | Published | Jun 10 | http://www.etsi.org/deliver/etsi_ts/134100_134199/134108/08.11.00_60/ |
| Release 9 | | | | | |
| ARIB | ARIB STD-T63-34.108 | 9.8.0 | Approved | Jul 13 | http://www.arib.or.jp/english/html/overview/doc/STD-T63v10_00/2_T63/ARIB-STD-T63/Rel9/34/A34108-980.pdf |
| ATIS | ATIS.3GPP.34.108V980-2014 | 9.8.0 | Approved | May 14 | https://www.atis.org/docstore/default.aspx |
| CCSA | CCSA-TSD-TDD-34.108 | 9.7.0 | Published | Jun 12 | http://www.ccsa.org.cn/english/tc/files.php?docpath=/ITU-R/M.1457/M.1457-12/TDD |
| ETSI | ETSI TS 134 108 | 9.8.0 | Published | Mar 12 | http://www.etsi.org/deliver/etsi_ts/134100_134199/134108/09.08.00_60/ |
| Release 10 | | | | | |
| ARIB | ARIB STD-T63-34.108 | 10.1.0 | Approved | Jul 13 | http://www.arib.or.jp/english/html/overview/doc/STD-T63v10_00/2_T63/ARIB-STD-T63/Rel10/34/A34108-a10.pdf |
| ATIS | ATIS.3GPP.34.108V1010-2014 | 10.1.0 | Approved | May 14 | https://www.atis.org/docstore/default.aspx |
| CCSA | CCSA-TSD-TDD-34.108 | 10.0.0 | Published | Jun 12 | http://www.ccsa.org.cn/english/tc/files.php?docpath=/ITU-R/M.1457/M.1457-12/TDD |
| ETSI | ETSI TS 134 108 | 10.1.0 | Published | Mar 12 | http://www.etsi.org/deliver/etsi_ts/134100_134199/134108/10.01.00_60/ |
| Release 11 | | | | | |
| ARIB | ARIB STD-T63-34.108 | 11.5.0 | Approved | Jul 13 | http://www.arib.or.jp/english/html/overview/doc/STD-T63v10_00/2_T63/ARIB-STD-T63/Rel11/34/A34108-b50.pdf |
| ATIS | ATIS.3GPP.34.108V1150-2014 | 11.5.0 | Approved | May 14 | https://www.atis.org/docstore/default.aspx |
| CCSA | CCSA-TSD-TDD-34.108 | 11.9.0 | Published | Jun 14 | http://www.ccsa.org.cn/english/tc/files.php?docpath=/ITU-R/M.1457/M.1457-12/TDD |
| ETSI | ETSI TS 134 108 | 11.5.0 | Published | May 13 | http://www.etsi.org/deliver/etsi_ts/134100_134199/134108/11.05.00_60/ |

5.3.2.5.2 TS 34.109

Terminal logical test interface; Special conformance testing functions

This document specifies for User Equipment (UE), in UMTS system, for FDD and TDD modes, those UE functions that are required for conformance testing purposes.

| SDO (2) | Document No. | Version | Status | Issued date | Location (1) |
|-------------------|----------------------------|---------|-----------|-------------|---|
| Release 99 | | | | | |
| ARIB | ARIB STD-T63-34.109 | 3.10.0 | Approved | Jul 13 | http://www.arib.or.jp/english/html/overview/doc/STD-T63v10_00/2_T63/ARIB-STD-T63/R99/34/A34109-3a0.pdf |
| ATIS | ATIS.3GPP.34.109V3100-2005 | 3.10.0 | Approved | Apr 05 | https://www.atis.org/docstore/default.aspx |
| CCSA | CCSA-TSD-TDD-34.109 | 3.10.0 | Published | Oct 04 | http://www.ccsa.org.cn/english/tc/files.php?docpath=/ITU-R/M.1457/M.1457-12/TDD |
| ETSI | ETSI TS 134 109 | 3.10.0 | Published | Oct 04 | http://www.etsi.org/deliver/etsi_ts/134100_134199/134109/03.10.00_60/ |
| Release 4 | | | | | |
| ARIB | ARIB STD-T63-34.109 | 4.6.0 | Approved | Jul 13 | http://www.arib.or.jp/english/html/overview/doc/STD-T63v10_00/2_T63/ARIB-STD-T63/Rel4/34/A34109-460.pdf |
| ATIS | ATIS.3GPP.34.109V460-2005 | 4.6.0 | Approved | Apr 05 | https://www.atis.org/docstore/default.aspx |
| CCSA | CCSA-TSD-TDD-34.109 | 4.6.0 | Published | Oct 04 | http://www.ccsa.org.cn/english/tc/files.php?docpath=/ITU-R/M.1457/M.1457-12/TDD |
| ETSI | ETSI TS 134 109 | 4.6.0 | Published | Oct 04 | http://www.etsi.org/deliver/etsi_ts/134100_134199/134109/04.06.00_60/ |
| Release 5 | | | | | |
| ARIB | ARIB STD-T63-34.109 | 5.5.0 | Approved | Jul 13 | http://www.arib.or.jp/english/html/overview/doc/STD-T63v10_00/2_T63/ARIB-STD-T63/Rel5/34/A34109-550.pdf |
| ATIS | ATIS.3GPP.34.109V550-2006 | 5.5.0 | Approved | Apr 06 | https://www.atis.org/docstore/default.aspx |
| CCSA | CCSA-TSD-TDD-34.109 | 5.5.0 | Published | Jul 05 | http://www.ccsa.org.cn/english/tc/files.php?docpath=/ITU-R/M.1457/M.1457-12/TDD |
| ETSI | ETSI TS 134 109 | 5.5.0 | Published | Jul 05 | http://www.etsi.org/deliver/etsi_ts/134100_134199/134109/05.05.00_60/ |
| Release 6 | | | | | |
| ARIB | ARIB STD-T63-34.109 | 6.4.0 | Approved | Jul 13 | http://www.arib.or.jp/english/html/overview/doc/STD-T63v10_00/2_T63/ARIB-STD-T63/Rel6/34/A34109-640.pdf |
| ATIS | ATIS.3GPP.34.109V640-2007 | 6.4.0 | Approved | Oct 07 | https://www.atis.org/docstore/default.aspx |
| CCSA | CCSA-TSD-TDD-34.109 | 6.4.0 | Published | Jun 12 | http://www.ccsa.org.cn/english/tc/files.php?docpath=/ITU-R/M.1457/M.1457-12/TDD |

| | | | | | |
|-------------------|----------------------------|--------|-----------|--------|---|
| ETSI | ETSI TS 134 109 | 6.4.0 | Published | Apr 07 | http://www.etsi.org/deliver/etsi_ts/134100_134199/134109/06.04.00_60/ |
| Release 7 | | | | | |
| ARIB | ARIB STD-T63-34.109 | 7.4.0 | Approved | Jul 13 | http://www.arib.or.jp/english/html/overview/doc/STD-T63v10_00/2_T63/ARIB-STD-T63/Rel7/34/A34109-740.pdf |
| ATIS | ATIS.3GPP.34.109V740-2012 | 7.4.0 | Approved | Jul 12 | https://www.atis.org/docstore/default.aspx |
| CCSA | CCSA-TSD-TDD-34.109 | 7.4.0 | Published | Jun 12 | http://www.ccsa.org.cn/english/tc/files.php?docpath=/ITU-R/M.1457/M.1457-12/TDD |
| ETSI | ETSI TS 134 109 | 7.4.0 | Published | Apr 11 | http://www.etsi.org/deliver/etsi_ts/134100_134199/134109/07.04.00_60/ |
| Release 8 | | | | | |
| ARIB | ARIB STD-T63-34.109 | 8.2.0 | Approved | Jul 13 | http://www.arib.or.jp/english/html/overview/doc/STD-T63v10_00/2_T63/ARIB-STD-T63/Rel8/34/A34109-820.pdf |
| ATIS | ATIS.3GPP.34.109V820-2012 | 8.2.0 | Approved | Jul 12 | https://www.atis.org/docstore/default.aspx |
| CCSA | CCSA-TSD-TDD-34.109 | 8.2.0 | Published | Jun 12 | http://www.ccsa.org.cn/english/tc/files.php?docpath=/ITU-R/M.1457/M.1457-12/TDD |
| ETSI | ETSI TS 134 109 | 8.2.0 | Published | Jul 11 | http://www.etsi.org/deliver/etsi_ts/134100_134199/134109/08.02.00_60/ |
| Release 9 | | | | | |
| ARIB | ARIB STD-T63-34.109 | 9.2.0 | Approved | Jul 13 | http://www.arib.or.jp/english/html/overview/doc/STD-T63v10_00/2_T63/ARIB-STD-T63/Rel9/34/A34109-920.pdf |
| ATIS | ATIS.3GPP.34.109V920-2012 | 9.2.0 | Approved | Jul 12 | https://www.atis.org/docstore/default.aspx |
| CCSA | CCSA-TSD-TDD-34.109 | 9.2.0 | Published | Jun 12 | http://www.ccsa.org.cn/english/tc/files.php?docpath=/ITU-R/M.1457/M.1457-12/TDD |
| ETSI | ETSI TS 134 109 | 9.2.0 | Published | Mar 11 | http://www.etsi.org/deliver/etsi_ts/134100_134199/134109/09.02.00_60/ |
| Release 10 | | | | | |
| ARIB | ARIB STD-T63-34.109 | 10.2.0 | Approved | Jul 13 | http://www.arib.or.jp/english/html/overview/doc/STD-T63v10_00/2_T63/ARIB-STD-T63/Rel10/34/A34109-a20.pdf |
| ATIS | ATIS.3GPP.34.109V1020-2014 | 10.2.0 | Approved | May 14 | https://www.atis.org/docstore/default.aspx |
| CCSA | CCSA-TSD-TDD-34.109 | 10.1.0 | Published | Jun 12 | http://www.ccsa.org.cn/english/tc/files.php?docpath=/ITU-R/M.1457/M.1457-12/TDD |
| ETSI | ETSI TS 134 109 | 10.2.0 | Published | Apr 13 | http://www.etsi.org/deliver/etsi_ts/134100_134199/134109/10.02.00_60/ |
| Release 11 | | | | | |
| ARIB | ARIB STD-T63-34.109 | 11.1.0 | Approved | Jul 13 | http://www.arib.or.jp/english/html/overview/doc/STD-T63v10_00/2_T63/ARIB-STD-T63/Rel11/34/A34109-b10.pdf |
| ATIS | ATIS.3GPP.34.109V1110-2014 | 11.1.0 | Approved | May 14 | https://www.atis.org/docstore/default.aspx |
| CCSA | CCSA-TSD-TDD-34.109 | 11.2.0 | Published | Jun 14 | http://www.ccsa.org.cn/english/tc/files.php?docpath=/ITU-R/M.1457/M.1457-12/TDD |
| ETSI | ETSI TS 134 109 | 11.1.0 | Published | Apr 13 | http://www.etsi.org/deliver/etsi_ts/134100_134199/134109/11.01.00_60/ |

5.3.2.5.3 TS 34.114

User Equipment (UE) / Mobile Station (MS) Over The Air (OTA) antenna performance; Conformance testing

This document describes the test procedure for the radiated performances measurements of the 3G/2G user equipment/mobile stations (UE/MS) in active mode in both the uplink and the downlink.

| SDO (2) | Document No. | Version | Status | Issued date | Location (1) |
|------------------|---------------------|---------|-----------|-------------|---|
| Release 7 | | | | | |
| ARIB | ARIB STD-T63-34.114 | 7.0.0 | Approved | Jul 13 | http://www.arib.or.jp/english/html/overview/doc/STD-T63v10_00/2_T63/ARIB-STD-T63/Rel7/34/A34114-700.pdf |
| CCSA | CCSA-TSD-TDD-34.114 | 7.0.0 | Published | Jun 14 | http://www.ccsa.org.cn/english/tc/files.php?docpath=/ITU-R/M.1457/M.1457-12/TDD |
| ETSI | ETSI TS 134 114 | 7.0.0 | Published | Nov 08 | http://www.etsi.org/deliver/etsi_ts/134100_134199/134114/07.00.00_60/ |
| Release 8 | | | | | |
| ARIB | ARIB STD-T63-34.114 | 8.4.0 | Approved | Jul 13 | http://www.arib.or.jp/english/html/overview/doc/STD-T63v10_00/2_T63/ARIB-STD-T63/Rel8/34/A34114-840.pdf |
| CCSA | CCSA-TSD-TDD-34.114 | 8.4.0 | Published | Jun 14 | http://www.ccsa.org.cn/english/tc/files.php?docpath=/ITU-R/M.1457/M.1457-12/TDD |
| ETSI | ETSI TS 134 114 | 8.4.0 | Published | Jun 10 | http://www.etsi.org/deliver/etsi_ts/134100_134199/134114/08.04.00_60/ |

Release 9

| | | | | | |
|------|---------------------|-------|-----------|--------|---|
| ARIB | ARIB STD-T63-34.114 | 9.3.0 | Approved | Jul 13 | http://www.arib.or.jp/english/html/overview/doc/STD-T63v10_00/2_T63/ARIB-STD-T63/Rel9/34/A34114-930.pdf |
| CCSA | CCSA-TSD-TDD-34.114 | 9.3.0 | Published | Jun 14 | http://www.ccsa.org.cn/english/tc/files.php?docpath=/ITU-R/M.1457/M.1457-12/TDD |
| ETSI | ETSI TS 134 114 | 9.3.0 | Published | Jan 12 | http://www.etsi.org/deliver/etsi_ts/134100_134199/134114/09.03.00_60/ |

Release 10

| | | | | | |
|------|----------------------------|--------|-----------|--------|---|
| ARIB | ARIB STD-T63-34.114 | 10.3.0 | Approved | Jul 13 | http://www.arib.or.jp/english/html/overview/doc/STD-T63v10_00/2_T63/ARIB-STD-T63/Rel10/34/A34114-a30.pdf |
| ATIS | ATIS.3GPP.34.114V1030-2014 | 10.3.0 | Approved | May 14 | https://www.atis.org/docstore/default.aspx |
| CCSA | CCSA-TSD-TDD-34.114 | 10.3.0 | Published | Jun 14 | http://www.ccsa.org.cn/english/tc/files.php?docpath=/ITU-R/M.1457/M.1457-12/TDD |
| ETSI | ETSI TS 134 114 | 10.3.0 | Published | Jul 12 | http://www.etsi.org/deliver/etsi_ts/134100_134199/134114/10.03.00_60/ |

Release 11

| | | | | | |
|------|----------------------------|--------|-----------|--------|---|
| ARIB | ARIB STD-T63-34.114 | 11.3.0 | Approved | Jul 13 | http://www.arib.or.jp/english/html/overview/doc/STD-T63v10_00/2_T63/ARIB-STD-T63/Rel11/34/A34114-b30.pdf |
| ATIS | ATIS.3GPP.34.114V1130-2014 | 11.3.0 | Approved | May 14 | https://www.atis.org/docstore/default.aspx |
| CCSA | CCSA-TSD-TDD-34.114 | 11.2.0 | Published | Jun 14 | http://www.ccsa.org.cn/english/tc/files.php?docpath=/ITU-R/M.1457/M.1457-12/TDD |
| ETSI | ETSI TS 134 114 | 11.3.0 | Published | Jan 13 | http://www.etsi.org/deliver/etsi_ts/134100_134199/134114/11.03.00_60/ |

5.3.2.5.4 TS 34.122**Terminal conformance specification; Radio transmission and reception (TDD)**

This document specifies the Radio Frequency (RF) test methods and conformance requirements for UTRA User Equipment (UE) operating in the TDD mode. These have been derived from, and are consistent with, the core UTRA specifications. The maximum acceptable measurement uncertainty is specified in the TS for each test, where appropriate.

| SDO (2) | Document No. | Version | Status | Issued date | Location (1) |
|-------------------|---------------------------|---------|-----------|-------------|---|
| Release 99 | | | | | |
| ARIB | ARIB STD-T63-34.122 | 3.12.0 | Approved | Jul 13 | http://www.arib.or.jp/english/html/overview/doc/STD-T63v10_00/2_T63/ARIB-STD-T63/R99/34/A34122-3c0.pdf |
| ATIS | T1.3GPP.34.122V3120-2004 | 3.12.0 | Approved | May 04 | https://www.atis.org/docstore/default.aspx |
| CCSA | CCSA-TSD-TDD-34.122 | 3.12.0 | Published | Jan 04 | http://www.ccsa.org.cn/english/tc/files.php?docpath=/ITU-R/M.1457/M.1457-12/TDD |
| ETSI | ETSI TS 134 122 | 3.12.0 | Published | Jan 04 | http://www.etsi.org/deliver/etsi_ts/134100_134199/134122/03.12.00_60/ |
| Release 4 | | | | | |
| ARIB | ARIB STD-T63-34.122 | 4.10.0 | Approved | Jul 13 | http://www.arib.or.jp/english/html/overview/doc/STD-T63v10_00/2_T63/ARIB-STD-T63/Rel4/34/A34122-4a0.pdf |
| ATIS | T1.3GPP.34.122V4100-2004 | 4.10.0 | Approved | May 04 | https://www.atis.org/docstore/default.aspx |
| CCSA | CCSA-TSD-TDD-34.122 | 4.10.0 | Published | Jan 04 | http://www.ccsa.org.cn/english/tc/files.php?docpath=/ITU-R/M.1457/M.1457-12/TDD |
| ETSI | ETSI TS 134 122 | 4.10.0 | Published | Jan 04 | http://www.etsi.org/deliver/etsi_ts/134100_134199/134122/04.10.00_60/ |
| Release 5 | | | | | |
| ARIB | ARIB STD-T63-34.122 | 5.7.0 | Approved | Jul 13 | http://www.arib.or.jp/english/html/overview/doc/STD-T63v10_00/2_T63/ARIB-STD-T63/Rel5/34/A34122-570.pdf |
| ATIS | ATIS.3GPP.34.122V570-2007 | 5.7.0 | Approved | Oct 07 | https://www.atis.org/docstore/default.aspx |
| CCSA | CCSA-TSD-TDD-34.122 | 5.7.0 | Published | Mar 07 | http://www.ccsa.org.cn/english/tc/files.php?docpath=/ITU-R/M.1457/M.1457-12/TDD |
| ETSI | ETSI TS 134 122 | 5.7.0 | Published | Mar 07 | http://www.etsi.org/deliver/etsi_ts/134100_134199/134122/05.07.00_60/ |
| Release 6 | | | | | |
| ARIB | ARIB STD-T63-34.122 | 6.0.0 | Approved | Jul 13 | http://www.arib.or.jp/english/html/overview/doc/STD-T63v10_00/2_T63/ARIB-STD-T63/Rel6/34/A34122-600.pdf |
| ATIS | ATIS.3GPP.34.122V600-2007 | 6.0.0 | Approved | Oct 07 | https://www.atis.org/docstore/default.aspx |
| CCSA | CCSA-TSD-TDD-34.122 | 6.0.0 | Published | Mar 07 | http://www.ccsa.org.cn/english/tc/files.php?docpath=/ITU-R/M.1457/M.1457-12/TDD |

| | | | | | |
|-------------------|----------------------------|--------|-----------|--------|---|
| ETSI | ETSI TS 134 122 | 6.0.0 | Published | Mar 07 | http://www.etsi.org/deliver/etsi_ts/134100_134199/134122/06.00.00_60/ |
| Release 7 | | | | | |
| ARIB | ARIB STD-T63-34.122 | 7.6.0 | Approved | Jul 13 | http://www.arib.or.jp/english/html/overview/doc/STD-T63v10_40/2_T63/ARIB-STD-T63/Rel7/34/A34122-760.pdf |
| ATIS | ATIS.3GPP.34.122V760-2009 | 7.6.0 | Approved | Jul 09 | https://www.atis.org/docstore/default.aspx |
| CCSA | CCSA-TSD-TDD-34.122 | 7.6.0 | Published | Oct 08 | http://www.ccsa.org.cn/english/tc/files.php?docpath=/ITU-R/M.1457/M.1457-12/TDD |
| ETSI | ETSI TS 134 122 | 7.6.0 | Published | Oct 08 | http://www.etsi.org/deliver/etsi_ts/134100_134199/134122/07.06.00_60/ |
| Release 8 | | | | | |
| ATIS | ATIS.3GPP.34.122V860-2012 | 8.6.0 | Approved | Jul 12 | https://www.atis.org/docstore/default.aspx |
| CCSA | CCSA-TSD-TDD-34.122 | 8.6.0 | Published | Jun 12 | http://www.ccsa.org.cn/english/tc/files.php?docpath=/ITU-R/M.1457/M.1457-12/TDD |
| ETSI | ETSI TS 134 122 | 8.6.0 | Published | Jun 10 | http://www.etsi.org/deliver/etsi_ts/134100_134199/134122/08.06.00_60/ |
| Release 9 | | | | | |
| ATIS | ATIS.3GPP.34.122V980-2014 | 9.8.0 | Approved | May 14 | https://www.atis.org/docstore/default.aspx |
| CCSA | CCSA-TSD-TDD-34.122 | 9.7.0 | Published | Jun 12 | http://www.ccsa.org.cn/english/tc/files.php?docpath=/ITU-R/M.1457/M.1457-12/TDD |
| ETSI | ETSI TS 134 122 | 9.8.0 | Published | Mar 12 | http://www.etsi.org/deliver/etsi_ts/134100_134199/134122/09.08.00_60/ |
| Release 10 | | | | | |
| ATIS | ATIS.3GPP.34.122V1010-2014 | 10.1.0 | Approved | May 14 | https://www.atis.org/docstore/default.aspx |
| CCSA | CCSA-TSD-TDD-34.122 | 10.0.0 | Published | Jun 12 | http://www.ccsa.org.cn/english/tc/files.php?docpath=/ITU-R/M.1457/M.1457-12/TDD |
| ETSI | ETSI TS 134 122 | 10.1.0 | Published | Mar 12 | http://www.etsi.org/deliver/etsi_ts/134100_134199/134122/10.01.00_60/ |
| Release 11 | | | | | |
| ATIS | ATIS.3GPP.34.122V1140-2014 | 11.4.0 | Approved | May 14 | https://www.atis.org/docstore/default.aspx |
| CCSA | CCSA-TSD-TDD-34.122 | 11.8.0 | Published | Jun 14 | http://www.ccsa.org.cn/english/tc/files.php?docpath=/ITU-R/M.1457/M.1457-12/TDD |
| ETSI | ETSI TS 134 122 | 11.4.0 | Published | Feb 13 | http://www.etsi.org/deliver/etsi_ts/134100_134199/134122/11.04.00_60/ |

5.3.2.5.5 TS 34.123-1

User Equipment (UE) conformance specification; Part 1: Protocol conformance specification

This document specifies the protocol conformance testing for the 3rd Generation User Equipment (UE). This is the first part of a multi-part test specification.

| SDO (2) | Document No. | Version | Status | Issued date | Location (1) |
|-------------------|---------------------------|---------|-----------|-------------|---|
| Release 99 | | | | | |
| ARIB | ARIB STD-T63-34.123-1 | 3.5.0 | Approved | Jul 13 | http://www.arib.or.jp/english/html/overview/doc/STD-T63v10_00/2_T63/ARIB-STD-T63/R99/34/A34123-1-350.pdf |
| ATIS | T1.3GPP.34.123-1V350-2002 | 3.5.0 | Approved | May 02 | https://www.atis.org/docstore/default.aspx |
| CCSA | CCSA-TSD-TDD-34.123-1 | 3.5.0 | Published | Oct 01 | http://www.ccsa.org.cn/english/tc/files.php?docpath=/ITU-R/M.1457/M.1457-12/TDD |
| ETSI | ETSI TS 134 123-1 | 3.5.0 | Published | Oct 01 | http://www.etsi.org/deliver/etsi_ts/134100_134199/13412301/03.05.00_60/ |
| Release 4 | | | | | |
| ARIB | ARIB STD-T63-34.123-1 | 4.3.0 | Approved | Jul 13 | http://www.arib.or.jp/english/html/overview/doc/STD-T63v10_00/2_T63/ARIB-STD-T63/Rel4/34/A34123-1-430.pdf |
| ATIS | T1.3GPP.34.123-1V430-2003 | 4.3.0 | Approved | Mar 03 | https://www.atis.org/docstore/default.aspx |
| CCSA | CCSA-TSD-TDD-34.123-1 | 4.3.0 | Published | Jul 02 | http://www.ccsa.org.cn/english/tc/files.php?docpath=/ITU-R/M.1457/M.1457-12/TDD |
| ETSI | ETSI TS 134 123-1 | 4.3.0 | Published | Jul 02 | http://www.etsi.org/deliver/etsi_ts/134100_134199/13412301/04.03.00_60/ |
| Release 5 | | | | | |
| ARIB | ARIB STD-T63-34.123-1 | 5.13.1 | Approved | Jul 13 | http://www.arib.or.jp/english/html/overview/doc/STD-T63v10_00/2_T63/ARIB-STD-T63/Rel5/34/A34123-1-5d1.pdf |

| | | | | | |
|-------------------|------------------------------|--------|-----------|--------|---|
| ATIS | ATIS.3GPP.34.123-1V5131-2006 | 5.13.1 | Approved | Apr 06 | https://www.atis.org/docstore/default.aspx |
| CCSA | CCSA-TSD-TDD-34.123-1 | 5.13.1 | Published | Oct 05 | http://www.ccsa.org.cn/english/tc/files.php?docpath=/ITU-R/M.1457/M.1457-12/TDD |
| ETSI | ETSI TS 134 123-1 | 5.13.1 | Published | Oct 05 | http://www.etsi.org/deliver/etsi_ts/134100_134199/13412301/05.13.01_60/ |
| Release 6 | | | | | |
| ARIB | ARIB STD-T63-34.123-1 | 6.7.0 | Approved | Jul 13 | http://www.arib.or.jp/english/html/overview/doc/STD-T63v10_00/2_T63/ARIB-STD-T63/Rel6/34/A34123-1-670.pdf |
| ATIS | ATIS.3GPP.34.123-1V670-2007 | 6.7.0 | Approved | Oct 07 | https://www.atis.org/docstore/default.aspx |
| CCSA | CCSA-TSD-TDD-34.123-1 | 6.7.0 | Published | Jul 07 | http://www.ccsa.org.cn/english/tc/files.php?docpath=/ITU-R/M.1457/M.1457-12/TDD |
| ETSI | ETSI TS 134 123-1 | 6.7.0 | Published | Jul 07 | http://www.etsi.org/deliver/etsi_ts/134100_134199/13412301/06.07.00_60/ |
| Release 7 | | | | | |
| ARIB | ARIB STD-T63-34.123-1 | 7.1.0 | Approved | Jul 13 | http://www.arib.or.jp/english/html/overview/doc/STD-T63v10_00/2_T63/ARIB-STD-T63/Rel7/34/A34123-1-710.pdf |
| ATIS | ATIS.3GPP.34.123-1V710-2007 | 7.1.0 | Approved | Oct 07 | https://www.atis.org/docstore/default.aspx |
| CCSA | CCSA-TSD-TDD-34.123-1 | 7.1.0 | Published | Oct 07 | http://www.ccsa.org.cn/english/tc/files.php?docpath=/ITU-R/M.1457/M.1457-12/TDD |
| ETSI | ETSI TS 134 123-1 | 7.1.0 | Published | Oct 07 | http://www.etsi.org/deliver/etsi_ts/134100_134199/13412301/07.01.00_60/ |
| Release 8 | | | | | |
| ARIB | ARIB STD-T63-34.123-1 | 8.11.0 | Approved | Jul 13 | http://www.arib.or.jp/english/html/overview/doc/STD-T63v10_00/2_T63/ARIB-STD-T63/Rel8/34/A34123-1-8b0.pdf |
| ATIS | ATIS.3GPP.34.123-1V8110-2012 | 8.11.0 | Approved | Jul 12 | https://www.atis.org/docstore/default.aspx |
| CCSA | CCSA-TSD-TDD-34.123-1 | 8.11.0 | Published | Jun 12 | http://www.ccsa.org.cn/english/tc/files.php?docpath=/ITU-R/M.1457/M.1457-12/TDD |
| ETSI | ETSI TS 134 123-1 | 8.11.0 | Published | Jun 10 | http://www.etsi.org/deliver/etsi_ts/134100_134199/13412301/08.11.00_60/ |
| Release 9 | | | | | |
| ARIB | ARIB STD-T63-34.123-1 | 9.9.0 | Approved | Jul 13 | http://www.arib.or.jp/english/html/overview/doc/STD-T63v10_00/2_T63/ARIB-STD-T63/Rel9/34/A34123-1-990.pdf |
| ATIS | ATIS.3GPP.34.123-1V990-2014 | 9.9.0 | Approved | May 14 | https://www.atis.org/docstore/default.aspx |
| CCSA | CCSA-TSD-TDD-34.123-1 | 9.7.0 | Published | Jun 12 | http://www.ccsa.org.cn/english/tc/files.php?docpath=/ITU-R/M.1457/M.1457-12/TDD |
| ETSI | ETSI TS 134 123-1 | 9.9.0 | Published | Jul 12 | http://www.etsi.org/deliver/etsi_ts/134100_134199/13412301/09.09.00_60/ |
| Release 10 | | | | | |
| ARIB | ARIB STD-T63-34.123-1 | 10.4.0 | Approved | Jul 13 | http://www.arib.or.jp/english/html/overview/doc/STD-T63v10_00/2_T63/ARIB-STD-T63/Rel10/34/A34123-1- |
| ATIS | ATIS.3GPP.34.123-1V1040-2014 | 10.4.0 | Approved | May 14 | https://www.atis.org/docstore/default.aspx |
| CCSA | CCSA-TSD-TDD-34.123-1 | 10.7.0 | Published | Jun 14 | http://www.ccsa.org.cn/english/tc/files.php?docpath=/ITU-R/M.1457/M.1457-12/TDD |
| ETSI | ETSI TS 134 123-1 | 10.4.0 | Published | Jun 13 | http://www.etsi.org/deliver/etsi_ts/134100_134199/13412301/10.04.00_60/ |
| Release 11 | | | | | |
| CCSA | CCSA-TSD-TDD-34.123-1 | 11.2.0 | Published | Jun 14 | http://www.ccsa.org.cn/english/tc/files.php?docpath=/ITU-R/M.1457/M.1457-12/TDD |

5.3.2.5.6 TS 34.123-2

User Equipment (UE) conformance specification; Part 2: Implementation conformance statement (ICS) proforma specification

This document provides the Implementation Conformance Statement (ICS) proforma for 3rd Generation User Equipment (UE), in compliance with the relevant requirements, and in accordance with the relevant guidance given in ISO/IEC 9646-7 and ETS 300 406. This document also specifies a recommended applicability statement for the test cases included in TS 34.123-1. These applicability statements are based on the features implemented in the UE.

| SDO (2) | Document No. | Version | Status | Issued date | Location (1) |
|-------------------|-----------------------|---------|----------|-------------|---|
| Release 99 | | | | | |
| ARIB | ARIB STD-T63-34.123-2 | 3.5.0 | Approved | Jul 13 | http://www.arib.or.jp/english/html/overview/doc/STD-T63v10_00/2_T63/ARIB-STD-T63/R99/34/A34123-2-350.pdf |

| | | | | | |
|-------------------|------------------------------|--------|-----------|--------|---|
| ATIS | T1.3GPP.34.123-2V350-2002 | 3.5.0 | Approved | May 02 | https://www.atis.org/docstore/default.aspx |
| CCSA | CCSA-TSD-TDD-34.123-2 | 3.5.0 | Published | Oct 01 | http://www.ccsa.org.cn/english/tc/files.php?docpath=/ITU-R/M.1457/M.1457-12/TDD |
| ETSI | ETSI TS 134 123-2 | 3.5.0 | Published | Oct 01 | http://www.etsi.org/deliver/etsi_ts/134100_134199/13412302/03.05.00_60/ |
| Release 4 | | | | | |
| ARIB | ARIB STD-T63-34.123-2 | 4.3.0 | Approved | Jul 13 | http://www.arib.or.jp/english/html/overview/doc/STD-T63v10_00/2_T63/ARIB-STD-T63/Rel4/34/A34123-2-430.pdf |
| ATIS | T1.3GPP.34.123-2V430-2003 | 4.3.0 | Approved | Mar 03 | https://www.atis.org/docstore/default.aspx |
| CCSA | CCSA-TSD-TDD-34.123-2 | 4.3.0 | Published | Jun 02 | http://www.ccsa.org.cn/english/tc/files.php?docpath=/ITU-R/M.1457/M.1457-12/TDD |
| ETSI | ETSI TS 134 123-2 | 4.3.0 | Published | Jun 02 | http://www.etsi.org/deliver/etsi_ts/134100_134199/13412302/04.03.00_60/ |
| Release 5 | | | | | |
| ARIB | ARIB STD-T63-34.123-2 | 5.13.0 | Approved | Jul 13 | http://www.arib.or.jp/english/html/overview/doc/STD-T63v10_00/2_T63/ARIB-STD-T63/Rel5/34/A34123-2-5d0.pdf |
| ATIS | ATIS.3GPP.34.123-2V5130-2006 | 5.13.0 | Approved | Apr 06 | https://www.atis.org/docstore/default.aspx |
| CCSA | CCSA-TSD-TDD-34.123-2 | 5.13.0 | Published | Oct 05 | http://www.ccsa.org.cn/english/tc/files.php?docpath=/ITU-R/M.1457/M.1457-12/TDD |
| ETSI | ETSI TS 134 123-2 | 5.13.0 | Published | Oct 05 | http://www.etsi.org/deliver/etsi_ts/134100_134199/13412302/05.13.00_60/ |
| Release 6 | | | | | |
| ARIB | ARIB STD-T63-34.123-2 | 6.7.0 | Approved | Jul 13 | http://www.arib.or.jp/english/html/overview/doc/STD-T63v10_00/2_T63/ARIB-STD-T63/Rel6/34/A34123-2-670.pdf |
| ATIS | ATIS.3GPP.34.123-2V670-2007 | 6.7.0 | Approved | Oct 07 | https://www.atis.org/docstore/default.aspx |
| CCSA | CCSA-TSD-TDD-34.123-2 | 6.7.0 | Published | Jul 07 | http://www.ccsa.org.cn/english/tc/files.php?docpath=/ITU-R/M.1457/M.1457-12/TDD |
| ETSI | ETSI TS 134 123-2 | 6.7.0 | Published | Jul 07 | http://www.etsi.org/deliver/etsi_ts/134100_134199/13412302/06.07.00_60/ |
| Release 7 | | | | | |
| ARIB | ARIB STD-T63-34.123-2 | 7.1.0 | Approved | Jul 13 | http://www.arib.or.jp/english/html/overview/doc/STD-T63v10_00/2_T63/ARIB-STD-T63/Rel7/34/A34123-2-710.pdf |
| ATIS | ATIS.3GPP.34.123-2V710-2007 | 7.1.0 | Approved | Oct 07 | https://www.atis.org/docstore/default.aspx |
| CCSA | CCSA-TSD-TDD-34.123-2 | 7.1.0 | Published | Oct 07 | http://www.ccsa.org.cn/english/tc/files.php?docpath=/ITU-R/M.1457/M.1457-12/TDD |
| ETSI | ETSI TS 134 123-2 | 7.1.0 | Published | Oct 07 | http://www.etsi.org/deliver/etsi_ts/134100_134199/13412302/07.01.00_60/ |
| Release 8 | | | | | |
| ARIB | ARIB STD-T63-34.123-2 | 8.11.0 | Approved | Jul 13 | http://www.arib.or.jp/english/html/overview/doc/STD-T63v10_00/2_T63/ARIB-STD-T63/Rel8/34/A34123-2-8b0.pdf |
| ATIS | ATIS.3GPP.34.123-2V8110-2012 | 8.11.0 | Approved | Jul 12 | https://www.atis.org/docstore/default.aspx |
| CCSA | CCSA-TSD-TDD-34.123-2 | 8.11.0 | Published | Jun 12 | http://www.ccsa.org.cn/english/tc/files.php?docpath=/ITU-R/M.1457/M.1457-12/TDD |
| ETSI | ETSI TS 134 123-2 | 8.11.0 | Published | Jun 10 | http://www.etsi.org/deliver/etsi_ts/134100_134199/13412302/08.11.00_60/ |
| Release 9 | | | | | |
| ARIB | ARIB STD-T63-34.123-2 | 9.9.0 | Approved | Jul 13 | http://www.arib.or.jp/english/html/overview/doc/STD-T63v10_00/2_T63/ARIB-STD-T63/Rel9/34/A34123-2-990.pdf |
| ATIS | ATIS.3GPP.34.123-2V990-2014 | 9.9.0 | Approved | May 14 | https://www.atis.org/docstore/default.aspx |
| CCSA | CCSA-TSD-TDD-34.123-2 | 9.7.0 | Published | Jun 12 | http://www.ccsa.org.cn/english/tc/files.php?docpath=/ITU-R/M.1457/M.1457-12/TDD |
| ETSI | ETSI TS 134 123-2 | 9.9.0 | Published | Jul 12 | http://www.etsi.org/deliver/etsi_ts/134100_134199/13412302/09.09.00_60/ |
| Release 10 | | | | | |
| ARIB | ARIB STD-T63-34.123-2 | 10.4.0 | Approved | Jul 13 | http://www.arib.or.jp/english/html/overview/doc/STD-T63v10_00/2_T63/ARIB-STD-T63/Rel10/34/A34123-2- |
| ATIS | ATIS.3GPP.34.123-2V1040-2014 | 10.4.0 | Approved | May 14 | https://www.atis.org/docstore/default.aspx |
| CCSA | CCSA-TSD-TDD-34.123-2 | 10.7.0 | Published | Jun 14 | http://www.ccsa.org.cn/english/tc/files.php?docpath=/ITU-R/M.1457/M.1457-12/TDD |
| ETSI | ETSI TS 134 123-2 | 10.4.0 | Published | Apr 13 | http://www.etsi.org/deliver/etsi_ts/134100_134199/13412302/10.04.00_60/ |
| Release 11 | | | | | |
| CCSA | CCSA-TSD-TDD-34.123-2 | 11.2.0 | Published | Jun 14 | http://www.ccsa.org.cn/english/tc/files.php?docpath=/ITU-R/M.1457/M.1457-12/TDD |

5.3.2.5.7 TS 34.123-3

User Equipment (UE) conformance specification; Part 3: Abstract test suite (ATS)

This document specifies the protocol conformance testing in TTCN for the 3GPP User Equipment (UE) at the Uu interface.

This document is the 3rd part of a multi-part test specification, 3GPP TS 34.123. The following TTCN test specification and design considerations can be found in the present document:

- the overall test suite structure;
- the testing architecture;
- the test methods and PCO definitions;
- the test configurations;
- the design principles, assumptions, and used interfaces to the TTCN tester (System Simulator);
- TTCN styles and conventions;
- the partial PIXIT proforma;
- the TTCN.MP and TTCN.GR forms for the mentioned protocols tests.

The Abstract Test Suites designed in the document are based on the test cases specified in prose (3GPP TS 34.123_1).

This document is valid for UE implemented according to 3GPP releases starting from Release 1999 up to the Release indicated on the cover page of this document.

| SDO (2) | Document No. | Version | Status | Issued date | Location (1) |
|-------------------|-----------------------|---------|-----------|-------------|---|
| Release 99 | | | | | |
| ARIB | ARIB STD-T63-34.123-3 | 3.9.0 | Approved | Jul 13 | http://www.arib.or.jp/english/html/overview/doc/STD-T63v10_00/2_T63/ARIB-STD-T63/R99/34/A34123-3-390.pdf |
| ETSI | ETSI TS 134 123-3 | 3.9.0 | Published | Apr 05 | http://www.etsi.org/deliver/etsi_ts/134100_134199/13412303/03.09.00_60/ |
| Release 4 | | | | | |
| ARIB | ARIB STD-T63-34.123-3 | 4.0.0 | Approved | Jul 13 | http://www.arib.or.jp/english/html/overview/doc/STD-T63v10_00/2_T63/ARIB-STD-T63/Rel4/34/A34123-3-400.pdf |
| CCSA | CCSA-TSD-TDD-34.123-3 | 4.0.0 | Published | Jun 14 | http://www.ccsa.org.cn/english/tc/files.php?docpath=/ITU-R/M.1457/M.1457-12/TDD |
| ETSI | ETSI TS 134 123-3 | 4.0.0 | Published | May 05 | http://www.etsi.org/deliver/etsi_ts/134100_134199/13412303/04.00.00_60/ |
| Release 5 | | | | | |
| ARIB | ARIB STD-T63-34.123-3 | 5.6.0 | Approved | Jul 13 | http://www.arib.or.jp/english/html/overview/doc/STD-T63v10_00/2_T63/ARIB-STD-T63/Rel5/34/A34123-3-560.pdf |
| CCSA | CCSA-TSD-TDD-34.123-3 | 5.6.0 | Published | Jun 14 | http://www.ccsa.org.cn/english/tc/files.php?docpath=/ITU-R/M.1457/M.1457-12/TDD |
| ETSI | ETSI TS 134 123-3 | 5.6.0 | Published | Oct 06 | http://www.etsi.org/deliver/etsi_ts/134100_134199/13412303/05.06.00_60/ |
| Release 6 | | | | | |
| ARIB | ARIB STD-T63-34.123-3 | 6.6.0 | Approved | Jul 13 | http://www.arib.or.jp/english/html/overview/doc/STD-T63v10_00/2_T63/ARIB-STD-T63/Rel6/34/A34123-3-660.pdf |
| CCSA | CCSA-TSD-TDD-34.123-3 | 6.6.0 | Published | Jun 14 | http://www.ccsa.org.cn/english/tc/files.php?docpath=/ITU-R/M.1457/M.1457-12/TDD |
| ETSI | ETSI TS 134 123-3 | 6.6.0 | Published | Apr 08 | http://www.etsi.org/deliver/etsi_ts/134100_134199/13412303/06.06.00_60/ |

Release 7

| | | | | | |
|------|-----------------------|-------|-----------|--------|---|
| ARIB | ARIB STD-T63-34.123-3 | 7.3.0 | Approved | Jul 13 | http://www.arib.or.jp/english/html/overview/doc/STD-T63v10_40/2_T63/ARIB-STD-T63/Rel7/34/A34123-3-730.pdf |
| CCSA | CCSA-TSD-TDD-34.123-3 | 7.3.0 | Published | Jun 14 | http://www.ccsa.org.cn/english/tc/files.php?docpath=/ITU-R/M.1457/M.1457-12/TDD |
| ETSI | ETSI TS 134 123-3 | 7.3.0 | Published | Jan 09 | http://www.etsi.org/deliver/etsi_ts/134100_134199/13412303/07.03.00_60/ |

Release 8

| | | | | | |
|------|-----------------------|--------|-----------|--------|---|
| ARIB | ARIB STD-T63-34.123-3 | 8.10.0 | Approved | Jul 13 | http://www.arib.or.jp/english/html/overview/doc/STD-T63v10_00/2_T63/ARIB-STD-T63/Rel8/34/A34123-3-8a0.pdf |
| CCSA | CCSA-TSD-TDD-34.123-3 | 8.10.0 | Published | Jun 14 | http://www.ccsa.org.cn/english/tc/files.php?docpath=/ITU-R/M.1457/M.1457-12/TDD |
| ETSI | ETSI TS 134 123-3 | 8.10.0 | Published | Aug 11 | http://www.etsi.org/deliver/etsi_ts/134100_134199/13412303/08.10.00_60/ |

Release 9

| | | | | | |
|------|-----------------------|-------|-----------|--------|---|
| ARIB | ARIB STD-T63-34.123-3 | 9.5.0 | Approved | Jul 13 | http://www.arib.or.jp/english/html/overview/doc/STD-T63v10_00/2_T63/ARIB-STD-T63/Rel9/34/A34123-3-950.pdf |
| CCSA | CCSA-TSD-TDD-34.123-3 | 9.5.0 | Published | Jun 14 | http://www.ccsa.org.cn/english/tc/files.php?docpath=/ITU-R/M.1457/M.1457-12/TDD |
| ETSI | ETSI TS 134 123-3 | 9.5.0 | Published | Oct 12 | http://www.etsi.org/deliver/etsi_ts/134100_134199/13412303/09.05.00_60/ |

Release 10

| | | | | | |
|------|------------------------------|--------|-----------|--------|---|
| ARIB | ARIB STD-T63-34.123-3 | 10.3.0 | Approved | Jul 13 | http://www.arib.or.jp/english/html/overview/doc/STD-T63v10_00/2_T63/ARIB-STD-T63/Rel10/34/A34123-3- |
| ATIS | ATIS.3GPP.34.123-2V1030-2014 | 10.3.0 | Approved | May 14 | https://www.atis.org/docstore/default.aspx |
| CCSA | CCSA-TSD-TDD-34.123-3 | 10.6.0 | Published | Jun 14 | http://www.ccsa.org.cn/english/tc/files.php?docpath=/ITU-R/M.1457/M.1457-12/TDD |
| ETSI | ETSI TS 134 123-3 | 10.3.0 | Published | Jun 13 | http://www.etsi.org/deliver/etsi_ts/134100_134199/13412303/10.03.00_60/ |

Release 11

| | | | | | |
|------|-----------------------|--------|-----------|--------|---|
| CCSA | CCSA-TSD-TDD-34.123-3 | 11.2.0 | Published | Jun 14 | http://www.ccsa.org.cn/english/tc/files.php?docpath=/ITU-R/M.1457/M.1457-12/TDD |
|------|-----------------------|--------|-----------|--------|---|

5.3.2.5.8 TS 34.124**Electromagnetic compatibility (EMC) requirements for mobile terminals and ancillary equipment**

This document establishes the essential EMC requirements for “3rd generation” digital cellular mobile terminal equipment and ancillary accessories in combination with a 3GPP user equipment (UE).

| SDO (2) | Document No. | Version | Status | Issued date | Location (1) |
|-------------------|---------------------------|---------|-----------|-------------|---|
| Release 99 | | | | | |
| ARIB | ARIB STD-T63-34.124 | 3.4.0 | Approved | Jul 13 | http://www.arib.or.jp/english/html/overview/doc/STD-T63v10_00/2_T63/ARIB-STD-T63/R99/34/A34124-340.pdf |
| ATIS | T1.3GPP.34.124V340-2004 | 3.4.0 | Approved | May 04 | https://www.atis.org/docstore/default.aspx |
| CCSA | CCSA-TSD-TDD-34.124 | 3.4.0 | Published | Apr 03 | http://www.ccsa.org.cn/english/tc/files.php?docpath=/ITU-R/M.1457/M.1457-12/TDD |
| ETSI | ETSI TS 134 124 | 3.4.0 | Published | Apr 03 | http://www.etsi.org/deliver/etsi_ts/134100_134199/134124/03.04.00_60/ |
| Release 4 | | | | | |
| ARIB | ARIB STD-T63-34.124 | 4.2.0 | Approved | Jul 13 | http://www.arib.or.jp/english/html/overview/doc/STD-T63v10_00/2_T63/ARIB-STD-T63/Rel4/34/A34124-420.pdf |
| ATIS | T1.3GPP.34.124V420-2004 | 4.2.0 | Approved | May 04 | https://www.atis.org/docstore/default.aspx |
| CCSA | CCSA-TSD-TDD-34.124 | 4.2.0 | Published | Apr 03 | http://www.ccsa.org.cn/english/tc/files.php?docpath=/ITU-R/M.1457/M.1457-12/TDD |
| ETSI | ETSI TS 134 124 | 4.2.0 | Published | Apr 03 | http://www.etsi.org/deliver/etsi_ts/134100_134199/134124/04.02.00_60/ |
| Release 5 | | | | | |
| ARIB | ARIB STD-T63-34.124 | 5.4.0 | Approved | Jul 13 | http://www.arib.or.jp/english/html/overview/doc/STD-T63v10_00/2_T63/ARIB-STD-T63/Rel5/34/A34124-540.pdf |
| ATIS | ATIS.3GPP.34.124V540-2005 | 5.4.0 | Approved | Apr 05 | https://www.atis.org/docstore/default.aspx |
| CCSA | CCSA-TSD-TDD-34.124 | 5.4.0 | Published | Apr 04 | http://www.ccsa.org.cn/english/tc/files.php?docpath=/ITU-R/M.1457/M.1457-12/TDD |
| ETSI | ETSI TS 134 124 | 5.4.0 | Published | Apr 04 | http://www.etsi.org/deliver/etsi_ts/134100_134199/134124/05.04.00_60/ |

Release 6

| | | | | | |
|------|---------------------------|-------|-----------|--------|---|
| ARIB | ARIB STD-T63-34.124 | 6.2.0 | Approved | Jul 13 | http://www.arib.or.jp/english/html/overview/doc/STD-T63v10_00/2_T63/ARIB-STD-T63/Rel6/34/A34124-620.pdf |
| ATIS | ATIS.3GPP.34.124V620-2007 | 6.2.0 | Approved | Oct 07 | https://www.atis.org/docstore/default.aspx |
| CCSA | CCSA-TSD-TDD-34.124 | 6.2.0 | Published | Jun 06 | http://www.ccsa.org.cn/english/tc/files.php?docpath=/ITU-R/M.1457/M.1457-12/TDD |
| ETSI | ETSI TS 134 124 | 6.2.0 | Published | Jun 06 | http://www.etsi.org/deliver/etsi_ts/134100_134199/134124/06.02.00_60/ |

Release 7

| | | | | | |
|------|---------------------------|-------|-----------|--------|---|
| ARIB | ARIB STD-T63-34.124 | 7.5.0 | Approved | Jul 13 | http://www.arib.or.jp/english/html/overview/doc/STD-T63v10_00/2_T63/ARIB-STD-T63/Rel7/34/A34124-750.pdf |
| ATIS | ATIS.3GPP.34.124V750-2007 | 7.5.0 | Approved | Oct 07 | https://www.atis.org/docstore/default.aspx |
| CCSA | CCSA-TSD-TDD-34.124 | 7.5.0 | Published | Jan 07 | http://www.ccsa.org.cn/english/tc/files.php?docpath=/ITU-R/M.1457/M.1457-12/TDD |
| ETSI | ETSI TS 134 124 | 7.5.0 | Published | Jan 07 | http://www.etsi.org/deliver/etsi_ts/134100_134199/134124/07.05.00_60/ |

Release 8

| | | | | | |
|------|---------------------------|-------|-----------|--------|---|
| ARIB | ARIB STD-T63-34.124 | 8.4.0 | Approved | Jul 13 | http://www.arib.or.jp/english/html/overview/doc/STD-T63v10_00/2_T63/ARIB-STD-T63/Rel8/34/A34124-840.pdf |
| ATIS | ATIS.3GPP.34.124V840-2010 | 8.4.0 | Approved | Jul 10 | https://www.atis.org/docstore/default.aspx |
| CCSA | CCSA-TSD-TDD-34.124 | 8.4.0 | Published | Jun 12 | http://www.ccsa.org.cn/english/tc/files.php?docpath=/ITU-R/M.1457/M.1457-12/TDD |
| ETSI | ETSI TS 134 124 | 8.4.0 | Published | Feb 10 | http://www.etsi.org/deliver/etsi_ts/134100_134199/134124/08.04.00_60/ |

Release 9

| | | | | | |
|------|---------------------------|-------|-----------|--------|---|
| ARIB | ARIB STD-T63-34.124 | 9.2.0 | Approved | Jul 13 | http://www.arib.or.jp/english/html/overview/doc/STD-T63v10_00/2_T63/ARIB-STD-T63/Rel9/34/A34124-920.pdf |
| ATIS | ATIS.3GPP.34.124V920-2010 | 9.2.0 | Approved | Jul 10 | https://www.atis.org/docstore/default.aspx |
| CCSA | CCSA-TSD-TDD-34.124 | 9.2.0 | Published | Jun 12 | http://www.ccsa.org.cn/english/tc/files.php?docpath=/ITU-R/M.1457/M.1457-12/TDD |
| ETSI | ETSI TS 134 124 | 9.2.0 | Published | Apr 10 | http://www.etsi.org/deliver/etsi_ts/134100_134199/134124/09.02.00_60/ |

Release 10

| | | | | | |
|------|----------------------------|--------|-----------|--------|---|
| ARIB | ARIB STD-T63-34.124 | 10.2.0 | Approved | Jul 13 | http://www.arib.or.jp/english/html/overview/doc/STD-T63v10_00/2_T63/ARIB-STD-T63/Rel10/34/A34124-a20.pdf |
| ATIS | ATIS.3GPP.34.124V1020-2012 | 10.2.0 | Approved | Jul 12 | https://www.atis.org/docstore/default.aspx |
| CCSA | CCSA-TSD-TDD-34.124 | 10.2.0 | Published | Jun 12 | http://www.ccsa.org.cn/english/tc/files.php?docpath=/ITU-R/M.1457/M.1457-12/TDD |
| ETSI | ETSI TS 134 124 | 10.2.0 | Published | Nov 11 | http://www.etsi.org/deliver/etsi_ts/134100_134199/134124/10.02.00_60/ |

Release 11

| | | | | | |
|------|----------------------------|--------|-----------|--------|---|
| ARIB | ARIB STD-T63-34.124 | 11.0.0 | Approved | Jul 13 | http://www.arib.or.jp/english/html/overview/doc/STD-T63v10_00/2_T63/ARIB-STD-T63/Rel11/34/A34124-b00.pdf |
| ATIS | ATIS.3GPP.34.124V1100-2014 | 11.0.0 | Approved | May 14 | https://www.atis.org/docstore/default.aspx |
| CCSA | CCSA-TSD-TDD-34.124 | 11.0.0 | Published | Jun 14 | http://www.ccsa.org.cn/english/tc/files.php?docpath=/ITU-R/M.1457/M.1457-12/TDD |
| ETSI | ETSI TS 134 124 | 11.0.0 | Published | Nov 12 | http://www.etsi.org/deliver/etsi_ts/134100_134199/134124/11.00.00_60/ |

5.3.2.6 36.200 series**5.3.2.6.1 TS 36.201****Evolved Universal Terrestrial Radio Access (E-UTRA); LTE physical layer; General description**

This specification describes an overview of the physical layer of the EUTRA radio interface.

| SDO (2) | Document No. | Version | Status | Issued date | Location (1) |
|------------------|---------------------------|---------|----------|-------------|---|
| Release 8 | | | | | |
| ARIB | ARIB STD-T63-36.201 | 8.3.0 | Approved | Jul 13 | http://www.arib.or.jp/english/html/overview/doc/STD-T63v10_00/2_T63/ARIB-STD-T63/Rel8/36/A36201-830.pdf |
| ATIS | ATIS.3GPP.36.201V830-2009 | 8.3.0 | Approved | Jul 09 | https://www.atis.org/docstore/default.aspx |

| | | | | | |
|-------------------|----------------------------|--------|-----------|--------|---|
| CCSA | CCSA-TSD-TDD-36.201 | 8.3.0 | Published | Apr 09 | http://www.ccsa.org.cn/english/tc/files.php?docpath=/ITU-R/M.1457/M.1457-12/TDD |
| ETSI | ETSI TS 136 201 | 8.3.0 | Published | Apr 09 | http://www.etsi.org/deliver/etsi_ts/136200_136299/136201/08.03.00_60/ |
| Release 9 | | | | | |
| ARIB | ARIB STD-T63-36.201 | 9.1.0 | Approved | Jul 13 | http://www.arib.or.jp/english/html/overview/doc/STD-T63v10_00/2_T63/ARIB-STD-T63/Rel9/36/A36201-910.pdf |
| ATIS | ATIS.3GPP.36.201V910-2010 | 9.1.0 | Approved | Jul 10 | https://www.atis.org/docstore/default.aspx |
| CCSA | CCSA-TSD-TDD-36.201 | 9.1.0 | Published | Jun 12 | http://www.ccsa.org.cn/english/tc/files.php?docpath=/ITU-R/M.1457/M.1457-12/TDD |
| ETSI | ETSI TS 136 201 | 9.1.0 | Published | Apr 10 | http://www.etsi.org/deliver/etsi_ts/136200_136299/136201/09.01.00_60/ |
| Release 10 | | | | | |
| ATIS | ATIS.3GPP.36.201V1000-2011 | 10.0.0 | Approved | Jul 11 | https://www.atis.org/docstore/default.aspx |
| CCSA | CCSA-TSD-TDD-36.201 | 10.0.0 | Published | Jun 12 | http://www.ccsa.org.cn/english/tc/files.php?docpath=/ITU-R/M.1457/M.1457-12/TDD |
| ETSI | ETSI TS 136 201 | 10.0.0 | Published | Jan 11 | http://www.etsi.org/deliver/etsi_ts/136200_136299/136201/10.00.00_60/ |
| Release 11 | | | | | |
| ATIS | ATIS.3GPP.36.201V1110-2013 | 11.1.0 | Approved | Jun 13 | https://www.atis.org/docstore/default.aspx |
| CCSA | CCSA-TSD-TDD-36.201 | 11.1.0 | Published | Jun 14 | http://www.ccsa.org.cn/english/tc/files.php?docpath=/ITU-R/M.1457/M.1457-12/TDD |
| ETSI | ETSI TS 136 201 | 11.1.0 | Published | Feb 13 | http://www.etsi.org/deliver/etsi_ts/136200_136299/136201/11.01.00_60/ |

5.3.2.6.2 TS 36.211

Evolved Universal Terrestrial Radio Access (E-UTRA); Physical channels and modulation

This specification describes the physical channels for evolved UTRA.

| SDO (2) | Document No. | Version | Status | Issued date | Location (1) |
|-------------------|----------------------------|---------|-----------|-------------|---|
| Release 8 | | | | | |
| ARIB | ARIB STD-T63-36.211 | 8.9.0 | Approved | Jul 13 | http://www.arib.or.jp/english/html/overview/doc/STD-T63v10_00/2_T63/ARIB-STD-T63/Rel8/36/A36211-890.pdf |
| ATIS | ATIS.3GPP.36.211V890-2010 | 8.9.0 | Approved | Jul 10 | https://www.atis.org/docstore/default.aspx |
| CCSA | CCSA-TSD-TDD-36.211 | 8.9.0 | Published | Mar 10 | http://www.ccsa.org.cn/english/tc/files.php?docpath=/ITU-R/M.1457/M.1457-12/TDD |
| ETSI | ETSI TS 136 211 | 8.9.0 | Published | Jan 10 | http://www.etsi.org/deliver/etsi_ts/136200_136299/136211/08.09.00_60/ |
| Release 9 | | | | | |
| ARIB | ARIB STD-T63-36.211 | 9.1.0 | Approved | Jul 13 | http://www.arib.or.jp/english/html/overview/doc/STD-T63v10_00/2_T63/ARIB-STD-T63/Rel9/36/A36211-910.pdf |
| ATIS | ATIS.3GPP.36.211V910-2010 | 9.1.0 | Approved | Jul 10 | https://www.atis.org/docstore/default.aspx |
| CCSA | CCSA-TSD-TDD-36.211 | 9.1.0 | Published | Mar 10 | http://www.ccsa.org.cn/english/tc/files.php?docpath=/ITU-R/M.1457/M.1457-12/TDD |
| ETSI | ETSI TS 136 211 | 9.1.0 | Published | Apr 10 | http://www.etsi.org/deliver/etsi_ts/136200_136299/136211/09.01.00_60/ |
| Release 10 | | | | | |
| ATIS | ATIS.3GPP.36.211V1070-2013 | 10.7.0 | Approved | Jun 13 | https://www.atis.org/docstore/default.aspx |
| CCSA | CCSA-TSD-TDD-36.211 | 10.4.0 | Published | Jun 12 | http://www.ccsa.org.cn/english/tc/files.php?docpath=/ITU-R/M.1457/M.1457-12/TDD |
| ETSI | ETSI TS 136 211 | 10.7.0 | Published | Apr 13 | http://www.etsi.org/deliver/etsi_ts/136200_136299/136211/10.07.00_60/ |
| Release 11 | | | | | |
| ATIS | ATIS.3GPP.36.211V1120-2013 | 11.2.0 | Approved | Jun 13 | https://www.atis.org/docstore/default.aspx |
| CCSA | CCSA-TSD-TDD-36.211 | 11.5.0 | Published | Jun 14 | http://www.ccsa.org.cn/english/tc/files.php?docpath=/ITU-R/M.1457/M.1457-12/TDD |
| ETSI | ETSI TS 136 211 | 11.2.0 | Published | Apr 13 | http://www.etsi.org/deliver/etsi_ts/136200_136299/136211/11.02.00_60/ |

5.3.2.6.3 TS 36.212

Evolved Universal Terrestrial Radio Access (E-UTRA); Multiplexing and channel coding

This specification describes the coding, multiplexing and mapping to physical channels for E-UTRA.

| SDO (2) | Document No. | Version | Status | Issued date | Location (1) |
|-------------------|----------------------------|---------|-----------|-------------|---|
| Release 8 | | | | | |
| ARIB | ARIB STD-T63-36.212 | 8.8.0 | Approved | Jul 13 | http://www.arib.or.jp/english/html/overview/doc/STD-T63v10_00/2_T63/ARIB-STD-T63/Rel8/36/A36212-880.pdf |
| ATIS | ATIS.3GPP.36.212V880-2010 | 8.8.0 | Approved | Jul 10 | https://www.atis.org/docstore/default.aspx |
| CCSA | CCSA-TSD-TDD-36.212 | 8.8.0 | Published | Mar 10 | http://www.ccsa.org.cn/english/tc/files.php?docpath=/ITU-R/M.1457/M.1457-12/TDD |
| ETSI | ETSI TS 136 212 | 8.8.0 | Published | Jan 10 | http://www.etsi.org/deliver/etsi_ts/136200_136299/136212/08.08.00_60/ |
| Release 9 | | | | | |
| ARIB | ARIB STD-T63-36.212 | 9.4.0 | Approved | Jul 13 | http://www.arib.or.jp/english/html/overview/doc/STD-T63v10_00/2_T63/ARIB-STD-T63/Rel9/36/A36212-940.pdf |
| ATIS | ATIS.3GPP.36.212V940-2012 | 9.4.0 | Approved | Jul 12 | https://www.atis.org/docstore/default.aspx |
| CCSA | CCSA-TSD-TDD-36.212 | 9.4.0 | Published | Jun 12 | http://www.ccsa.org.cn/english/tc/files.php?docpath=/ITU-R/M.1457/M.1457-12/TDD |
| ETSI | ETSI TS 136 212 | 9.4.0 | Published | Oct 11 | http://www.etsi.org/deliver/etsi_ts/136200_136299/136212/09.04.00_60/ |
| Release 10 | | | | | |
| ATIS | ATIS.3GPP.36.212V1070-2013 | 10.7.0 | Approved | Jun 13 | https://www.atis.org/docstore/default.aspx |
| CCSA | CCSA-TSD-TDD-36.212 | 10.4.0 | Published | Jun 12 | http://www.ccsa.org.cn/english/tc/files.php?docpath=/ITU-R/M.1457/M.1457-12/TDD |
| ETSI | ETSI TS 136 212 | 10.7.0 | Published | Feb 13 | http://www.etsi.org/deliver/etsi_ts/136200_136299/136212/10.07.00_60/ |
| Release 11 | | | | | |
| ATIS | ATIS.3GPP.36.212V1120-2013 | 11.2.0 | Approved | Jun 13 | https://www.atis.org/docstore/default.aspx |
| CCSA | CCSA-TSD-TDD-36.212 | 11.4.0 | Published | Jun 14 | http://www.ccsa.org.cn/english/tc/files.php?docpath=/ITU-R/M.1457/M.1457-12/TDD |
| ETSI | ETSI TS 136 212 | 11.2.0 | Published | Apr 13 | http://www.etsi.org/deliver/etsi_ts/136200_136299/136212/11.02.00_60/ |

5.3.2.6.4 TS 36.213

Evolved Universal Terrestrial Radio Access (E-UTRA); Physical layer procedures

This specification describes the characteristics of the physical layer procedures of E-UTRA.

| SDO (2) | Document No. | Version | Status | Issued date | Location (1) |
|-------------------|----------------------------|---------|-----------|-------------|---|
| Release 8 | | | | | |
| ARIB | ARIB STD-T63-36.213 | 8.8.0 | Approved | Jul 13 | http://www.arib.or.jp/english/html/overview/doc/STD-T63v10_00/2_T63/ARIB-STD-T63/Rel8/36/A36213-880.pdf |
| ATIS | ATIS.3GPP.36.213V880-2010 | 8.8.0 | Approved | Jul 10 | https://www.atis.org/docstore/default.aspx |
| CCSA | CCSA-TSD-TDD-36.213 | 8.8.0 | Published | Jun 12 | http://www.ccsa.org.cn/english/tc/files.php?docpath=/ITU-R/M.1457/M.1457-12/TDD |
| ETSI | ETSI TS 136 213 | 8.8.0 | Published | Oct 09 | http://www.etsi.org/deliver/etsi_ts/136200_136299/136213/08.08.00_60/ |
| Release 9 | | | | | |
| ARIB | ARIB STD-T63-36.213 | 9.3.0 | Approved | Jul 13 | http://www.arib.or.jp/english/html/overview/doc/STD-T63v10_00/2_T63/ARIB-STD-T63/Rel9/36/A36213-930.pdf |
| ATIS | ATIS.3GPP.36.213V930-2012 | 9.3.0 | Approved | Jul 12 | https://www.atis.org/docstore/default.aspx |
| CCSA | CCSA-TSD-TDD-36.213 | 9.3.0 | Published | Jun 12 | http://www.ccsa.org.cn/english/tc/files.php?docpath=/ITU-R/M.1457/M.1457-12/TDD |
| ETSI | ETSI TS 136 213 | 9.3.0 | Published | Oct 10 | http://www.etsi.org/deliver/etsi_ts/136200_136299/136213/09.03.00_60/ |
| Release 10 | | | | | |
| ATIS | ATIS.3GPP.36.213V1070-2013 | 10.9.0 | Approved | Jun 13 | https://www.atis.org/docstore/default.aspx |
| CCSA | CCSA-TSD-TDD-36.213 | 10.4.0 | Published | Jun 12 | http://www.ccsa.org.cn/english/tc/files.php?docpath=/ITU-R/M.1457/M.1457-12/TDD |

| | | | | | |
|-------------------|----------------------------|--------|-----------|--------|---|
| ETSI | ETSI TS 136 213 | 10.9.0 | Published | Apr 13 | http://www.etsi.org/deliver/etsi_ts/136200_136299/136213/10.09.00_60/ |
| Release 11 | | | | | |
| ATIS | ATIS.3GPP.36.213V1120-2013 | 11.2.0 | Approved | Jun 13 | https://www.atis.org/docstore/default.aspx |
| CCSA | CCSA-TSD-TDD-36.213 | 11.6.0 | Published | Jun 14 | http://www.ccsa.org.cn/english/tc/files.php?docpath=/ITU-R/M.1457/M.1457-12/TDD |
| ETSI | ETSI TS 136 213 | 11.2.0 | Published | Apr 13 | http://www.etsi.org/deliver/etsi_ts/136200_136299/136213/11.02.00_60/ |

5.3.2.6.5 TS 36.214

Evolved Universal Terrestrial Radio Access (E-UTRA); Physical layer; Measurements

This specification describes the measurements done at the UE and network in order to support operation in idle mode and connected mode.

| SDO (2) | Document No. | Version | Status | Issued date | Location (1) |
|-------------------|----------------------------|---------|-----------|-------------|---|
| Release 8 | | | | | |
| ARIB | ARIB STD-T63-36.214 | 8.7.0 | Approved | Jul 13 | http://www.arib.or.jp/english/html/overview/doc/STD-T63v10_00/2_T63/ARIB-STD-T63/Rel8/36/A36214-870.pdf |
| ATIS | ATIS.3GPP.36.214V870-2010 | 8.7.0 | Approved | Jul 10 | https://www.atis.org/docstore/default.aspx |
| CCSA | CCSA-TSD-TDD-36.214 | 8.7.0 | Published | Mar 10 | http://www.ccsa.org.cn/english/tc/files.php?docpath=/ITU-R/M.1457/M.1457-12/TDD |
| ETSI | ETSI TS 136 214 | 8.7.0 | Published | Oct 09 | http://www.etsi.org/deliver/etsi_ts/136200_136299/136214/08.07.00_60/ |
| Release 9 | | | | | |
| ARIB | ARIB STD-T63-36.214 | 9.2.0 | Approved | Jul 13 | http://www.arib.or.jp/english/html/overview/doc/STD-T63v10_00/2_T63/ARIB-STD-T63/Rel9/36/A36214-920.pdf |
| ATIS | ATIS.3GPP.36.214V920-2012 | 9.2.0 | Approved | Jul 12 | https://www.atis.org/docstore/default.aspx |
| CCSA | CCSA-TSD-TDD-36.214 | 9.2.0 | Published | Jun 12 | http://www.ccsa.org.cn/english/tc/files.php?docpath=/ITU-R/M.1457/M.1457-12/TDD |
| ETSI | ETSI TS 136 214 | 9.2.0 | Published | Jun 10 | http://www.etsi.org/deliver/etsi_ts/136200_136299/136214/09.02.00_60/ |
| Release 10 | | | | | |
| ATIS | ATIS.3GPP.36.214V1010-2011 | 10.1.0 | Approved | Jul 11 | https://www.atis.org/docstore/default.aspx |
| CCSA | CCSA-TSD-TDD-36.214 | 10.1.0 | Published | Jun 12 | http://www.ccsa.org.cn/english/tc/files.php?docpath=/ITU-R/M.1457/M.1457-12/TDD |
| ETSI | ETSI TS 136 214 | 10.1.0 | Published | Apr 11 | http://www.etsi.org/deliver/etsi_ts/136200_136299/136214/10.01.00_60/ |
| Release 11 | | | | | |
| ATIS | ATIS.3GPP.36.214V1110-2013 | 11.1.0 | Approved | Jun 13 | https://www.atis.org/docstore/default.aspx |
| CCSA | CCSA-TSD-TDD-36.214 | 11.1.0 | Published | Jun 14 | http://www.ccsa.org.cn/english/tc/files.php?docpath=/ITU-R/M.1457/M.1457-12/TDD |
| ETSI | ETSI TS 136 214 | 11.1.0 | Published | Feb 13 | http://www.etsi.org/deliver/etsi_ts/136200_136299/136214/11.01.00_60/ |

5.3.2.6.6 TS 36.216

Evolved Universal Terrestrial Radio Access (E-UTRA); Physical layer for relaying operation

This document describes the characteristics of eNodeB – relay node transmissions.

| SDO (2) | Document No. | Version | Status | Issued date | Location (1) |
|-------------------|--------------|---------|--------|-------------|--------------|
| Release 10 | | | | | |

| | | | | | |
|-------------------|----------------------------|--------|-----------|--------|---|
| ATIS | ATIS.3GPP.36.216V1031-2013 | 10.3.1 | Approved | Jun 13 | https://www.atis.org/docstore/default.aspx |
| CCSA | CCSA-TSD-TDD-36.216 | 10.3.1 | Published | Jun 12 | http://www.ccsa.org.cn/english/tc/files.php?docpath=/ITU-R/M.1457/M.1457-12/TDD |
| ETSI | ETSI TS 136 216 | 10.3.1 | Published | Oct 11 | http://www.etsi.org/deliver/etsi_ts/136200_136299/136216/10.03.01_60/ |
| Release 11 | | | | | |
| ATIS | ATIS.3GPP.36.216V1100-2013 | 11.0.0 | Approved | Jun 13 | https://www.atis.org/docstore/default.aspx |
| CCSA | CCSA-TSD-TDD-36.216 | 11.0.0 | Published | Jun 14 | http://www.ccsa.org.cn/english/tc/files.php?docpath=/ITU-R/M.1457/M.1457-12/TDD |
| ETSI | ETSI TS 136 216 | 11.0.0 | Published | Oct 12 | http://www.etsi.org/deliver/etsi_ts/136200_136299/136216/11.00.00_60/ |

5.3.2.7 36.300 series

5.3.2.7.1 TS 36.300

Evolved Universal Terrestrial Radio Access (E-UTRA) and Evolved Universal Terrestrial Radio Access Network (E-UTRAN); Overall description; Stage 2

This specification describes an overview and overall description of the E-UTRA radio interface and E-UTRAN architecture and radio interface protocol architecture.

| SDO (2) | Document No. | Version | Status | Issued date | Location (1) |
|-------------------|----------------------------|---------|-----------|-------------|---|
| Release 8 | | | | | |
| ARIB | ARIB STD-T63-36.300 | 8.12.0 | Approved | Jul 13 | http://www.arib.or.jp/english/html/overview/doc/STD-T63v10_00/2_T63/ARIB-STD-T63/Rel8/36/A36300-8c0.pdf |
| ATIS | ATIS.3GPP.36.300V8120-2010 | 8.12.0 | Approved | Jul 10 | https://www.atis.org/docstore/default.aspx |
| CCSA | CCSA-TSD-TDD-36.300 | 8.12.0 | Published | Jun 12 | http://www.ccsa.org.cn/english/tc/files.php?docpath=/ITU-R/M.1457/M.1457-12/TDD |
| ETSI | ETSI TS 136 300 | 8.12.0 | Published | Apr 10 | http://www.etsi.org/deliver/etsi_ts/136300_136399/136300/08.12.00_60/ |
| Release 9 | | | | | |
| ARIB | ARIB STD-T63-36.300 | 9.10.0 | Approved | Jul 13 | http://www.arib.or.jp/english/html/overview/doc/STD-T63v10_00/2_T63/ARIB-STD-T63/Rel9/36/A36300-9a0.pdf |
| ATIS | ATIS.3GPP.36.300V9100-2014 | 9.10.0 | Approved | May 14 | https://www.atis.org/docstore/default.aspx |
| CCSA | CCSA-TSD-TDD-36.300 | 9.9.0 | Published | Jun 12 | http://www.ccsa.org.cn/english/tc/files.php?docpath=/ITU-R/M.1457/M.1457-12/TDD |
| ETSI | ETSI TS 136 300 | 9.10.0 | Published | Feb 13 | http://www.etsi.org/deliver/etsi_ts/136300_136399/136300/09.10.00_60/ |
| Release 10 | | | | | |
| ATIS | ATIS.3GPP.36.300V1090-2013 | 10.9.0 | Approved | Jun 13 | https://www.atis.org/docstore/default.aspx |
| CCSA | CCSA-TSD-TDD-36.300 | 10.6.0 | Published | Jun 12 | http://www.ccsa.org.cn/english/tc/files.php?docpath=/ITU-R/M.1457/M.1457-12/TDD |
| ETSI | ETSI TS 136 300 | 10.9.0 | Published | Feb 13 | http://www.etsi.org/deliver/etsi_ts/136300_136399/136300/10.09.00_60/ |
| Release 11 | | | | | |
| ATIS | ATIS.3GPP.36.300V1150-2013 | 11.5.0 | Approved | Jun 13 | https://www.atis.org/docstore/default.aspx |
| CCSA | CCSA-TSD-TDD-36.300 | 11.9.0 | Published | Jun 14 | http://www.ccsa.org.cn/english/tc/files.php?docpath=/ITU-R/M.1457/M.1457-12/TDD |
| ETSI | ETSI TS 136 300 | 11.5.0 | Published | Apr 13 | http://www.etsi.org/deliver/etsi_ts/136300_136399/136300/11.05.00_60/ |

5.3.2.7.2 TS 36.302

Evolved Universal Terrestrial Radio Access (E-UTRA); Services provided by the physical layer

This specification describes the services provided by the physical layer of E-UTRA to upper layers.

| SDO (2) | Document No. | Version | Status | Issued date | Location (1) |
|-------------------|----------------------------|---------|-----------|-------------|---|
| Release 8 | | | | | |
| ARIB | ARIB STD-T63-36.302 | 8.2.1 | Approved | Jul 13 | http://www.arib.or.jp/english/html/overview/doc/STD-T63v10_00/2_T63/ARIB-STD-T63/Rel8/36/A36302-821.pdf |
| ATIS | ATIS.3GPP.36.302V821-2014 | 8.2.1 | Approved | May 14 | https://www.atis.org/docstore/default.aspx |
| CCSA | CCSA-TSD-TDD-36.302 | 8.2.1 | Published | Jun 12 | http://www.ccsa.org.cn/english/tc/files.php?docpath=/ITU-R/M.1457/M.1457-12/TDD |
| ETSI | ETSI TS 136 302 | 8.2.1 | Published | Jan 12 | http://www.etsi.org/deliver/etsi_ts/136300_136399/136302/08.02.01_60/ |
| Release 9 | | | | | |
| ARIB | ARIB STD-T63-36.302 | 9.3.1 | Approved | Jul 13 | http://www.arib.or.jp/english/html/overview/doc/STD-T63v10_00/2_T63/ARIB-STD-T63/Rel9/36/A36302-931.pdf |
| ATIS | ATIS.3GPP.36.302V931-2014 | 9.3.1 | Approved | May 14 | https://www.atis.org/docstore/default.aspx |
| CCSA | CCSA-TSD-TDD-36.302 | 9.3.1 | Published | Jun 12 | http://www.ccsa.org.cn/english/tc/files.php?docpath=/ITU-R/M.1457/M.1457-12/TDD |
| ETSI | ETSI TS 136 302 | 9.3.1 | Published | Jan 12 | http://www.etsi.org/deliver/etsi_ts/136300_136399/136302/09.03.01_60/ |
| Release 10 | | | | | |
| ATIS | ATIS.3GPP.36.302V1050-2013 | 10.5.0 | Approved | Jun 13 | https://www.atis.org/docstore/default.aspx |
| CCSA | CCSA-TSD-TDD-36.302 | 10.3.0 | Published | Jun 12 | http://www.ccsa.org.cn/english/tc/files.php?docpath=/ITU-R/M.1457/M.1457-12/TDD |
| ETSI | ETSI TS 136 302 | 10.5.0 | Published | Apr 13 | http://www.etsi.org/deliver/etsi_ts/136300_136399/136302/10.05.00_60/ |
| Release 11 | | | | | |
| ATIS | ATIS.3GPP.36.302V1120-2013 | 11.2.0 | Approved | Jun 13 | https://www.atis.org/docstore/default.aspx |
| CCSA | CCSA-TSD-TDD-36.302 | 11.5.0 | Published | Jun 14 | http://www.ccsa.org.cn/english/tc/files.php?docpath=/ITU-R/M.1457/M.1457-12/TDD |
| ETSI | ETSI TS 136 302 | 11.2.0 | Published | Apr 13 | http://www.etsi.org/deliver/etsi_ts/136300_136399/136302/11.02.00_60/ |

5.3.2.7.3 TS 36.304

Evolved Universal Terrestrial Radio Access (E-UTRA); User Equipment (UE) procedures in idle mode

This specification describes the Access Stratum (AS) part of the Idle Mode procedures applicable to a UE and the model for the functional division between the NAS and AS in a UE.

| SDO (2) | Document No. | Version | Status | Issued date | Location (1) |
|-------------------|----------------------------|---------|-----------|-------------|---|
| Release 8 | | | | | |
| ARIB | ARIB STD-T63-36.304 | 8.10.0 | Approved | Jul 13 | http://www.arib.or.jp/english/html/overview/doc/STD-T63v10_00/2_T63/ARIB-STD-T63/Rel8/36/A36304-8a0.pdf |
| ATIS | ATIS.3GPP.36.304V8100-2012 | 8.10.0 | Approved | Jul 12 | https://www.atis.org/docstore/default.aspx |
| CCSA | CCSA-TSD-TDD-36.304 | 8.10.0 | Published | Jun 12 | http://www.ccsa.org.cn/english/tc/files.php?docpath=/ITU-R/M.1457/M.1457-12/TDD |
| ETSI | ETSI TS 136 304 | 8.10.0 | Published | Jun 11 | http://www.etsi.org/deliver/etsi_ts/136300_136399/136304/08.10.00_60/ |
| Release 9 | | | | | |
| ARIB | ARIB STD-T63-36.304 | 9.11.0 | Approved | Jul 13 | http://www.arib.or.jp/english/html/overview/doc/STD-T63v10_00/2_T63/ARIB-STD-T63/Rel9/36/A36304-9b0.pdf |
| ATIS | ATIS.3GPP.36.304V9110-2014 | 9.11.0 | Approved | May 14 | https://www.atis.org/docstore/default.aspx |
| CCSA | CCSA-TSD-TDD-36.304 | 9.9.0 | Published | Jun 12 | http://www.ccsa.org.cn/english/tc/files.php?docpath=/ITU-R/M.1457/M.1457-12/TDD |
| ETSI | ETSI TS 136 304 | 9.11.0 | Published | Jul 12 | http://www.etsi.org/deliver/etsi_ts/136300_136399/136304/09.11.00_60/ |
| Release 10 | | | | | |
| ATIS | ATIS.3GPP.36.304V1060-2013 | 10.6.0 | Approved | Jun 13 | https://www.atis.org/docstore/default.aspx |
| CCSA | CCSA-TSD-TDD-36.304 | 10.4.0 | Published | Jun 12 | http://www.ccsa.org.cn/english/tc/files.php?docpath=/ITU-R/M.1457/M.1457-12/TDD |
| ETSI | ETSI TS 136 304 | 10.6.0 | Published | Jul 12 | http://www.etsi.org/deliver/etsi_ts/136300_136399/136304/10.06.00_60/ |
| Release 11 | | | | | |

| | | | | | |
|------|----------------------------|--------|-----------|--------|---|
| ATIS | ATIS.3GPP.36.304V1130-2013 | 11.3.0 | Approved | Jun 13 | https://www.atis.org/docstore/default.aspx |
| CCSA | CCSA-TSD-TDD-36.304 | 11.6.0 | Published | Jun 14 | http://www.ccsa.org.cn/english/tc/files.php?docpath=/ITU-R/M.1457/M.1457-12/TDD |
| ETSI | ETSI TS 136 304 | 11.3.0 | Published | Apr 13 | http://www.etsi.org/deliver/etsi_ts/136300_136399/136304/11.03.00_60/ |

5.3.2.7.4 TS 36.306

Evolved Universal Terrestrial Radio Access (E-UTRA); User Equipment (UE) radio access capabilities

This specification defines the E-UTRA UE Radio Access Capability Parameters.

| SDO (2) | Document No. | Version | Status | Issued date | Location (1) |
|-------------------|----------------------------|---------|-----------|-------------|---|
| Release 8 | | | | | |
| ARIB | ARIB STD-T63-36.306 | 8.9.0 | Approved | Jul 13 | http://www.arib.or.jp/english/html/overview/doc/STD-T63v10_00/2_T63/ARIB-STD-T63/Rel8/36/A36306-890.pdf |
| ATIS | ATIS.3GPP.36.306V890-2014 | 8.9.0 | Approved | May 14 | https://www.atis.org/docstore/default.aspx |
| CCSA | CCSA-TSD-TDD-36.306 | 8.8.0 | Published | Jun 12 | http://www.ccsa.org.cn/english/tc/files.php?docpath=/ITU-R/M.1457/M.1457-12/TDD |
| ETSI | ETSI TS 136 306 | 8.9.0 | Published | Apr 13 | http://www.etsi.org/deliver/etsi_ts/136300_136399/136306/08.09.00_60/ |
| Release 9 | | | | | |
| ARIB | ARIB STD-T63-36.306 | 9.8.0 | Approved | Jul 13 | http://www.arib.or.jp/english/html/overview/doc/STD-T63v10_00/2_T63/ARIB-STD-T63/Rel9/36/A36306-980.pdf |
| ATIS | ATIS.3GPP.36.306V980-2014 | 9.8.0 | Approved | May 14 | https://www.atis.org/docstore/default.aspx |
| CCSA | CCSA-TSD-TDD-36.306 | 9.6.0 | Published | Jun 12 | http://www.ccsa.org.cn/english/tc/files.php?docpath=/ITU-R/M.1457/M.1457-12/TDD |
| ETSI | ETSI TS 136 306 | 9.8.0 | Published | Apr 13 | http://www.etsi.org/deliver/etsi_ts/136300_136399/136306/09.08.00_60/ |
| Release 10 | | | | | |
| ATIS | ATIS.3GPP.36.306V1090-2013 | 10.9.0 | Approved | Jun 13 | https://www.atis.org/docstore/default.aspx |
| CCSA | CCSA-TSD-TDD-36.306 | 10.4.0 | Published | Jun 12 | http://www.ccsa.org.cn/english/tc/files.php?docpath=/ITU-R/M.1457/M.1457-12/TDD |
| ETSI | ETSI TS 136 306 | 10.9.0 | Published | Apr 13 | http://www.etsi.org/deliver/etsi_ts/136300_136399/136306/10.09.00_60/ |
| Release 11 | | | | | |
| ATIS | ATIS.3GPP.36.306V1130-2013 | 11.3.0 | Approved | Jun 13 | https://www.atis.org/docstore/default.aspx |
| CCSA | CCSA-TSD-TDD-36.306 | 11.6.0 | Published | Jun 14 | http://www.ccsa.org.cn/english/tc/files.php?docpath=/ITU-R/M.1457/M.1457-12/TDD |
| ETSI | ETSI TS 136 306 | 11.3.0 | Published | Apr 13 | http://www.etsi.org/deliver/etsi_ts/136300_136399/136306/11.03.00_60/ |

5.3.2.7.5 TS 36.307

Evolved Universal Terrestrial Radio Access (E-UTRA); Requirements on User Equipments (UEs) supporting a release-independent frequency band

This document specifies requirements on UEs supporting a frequency band and inter-band/intra-band CA configurations that are independent of release.

| SDO (2) | Document No. | Version | Status | Issued date | Location (1) |
|------------------|---------------------|---------|-----------|-------------|---|
| Release 8 | | | | | |
| ARIB | ARIB STD-T63-36.307 | 8.7.0 | Approved | Jul 13 | http://www.arib.or.jp/english/html/overview/doc/STD-T63v10_00/2_T63/ARIB-STD-T63/Rel8/36/A36307-870.pdf |
| ETSI | ETSI TS 136 307 | 8.7.0 | Published | Nov 12 | http://www.etsi.org/deliver/etsi_ts/136300_136399/136307/08.07.00_60/ |
| Release 9 | | | | | |
| ARIB | ARIB STD-T63-36.307 | 9.7.0 | Approved | Jul 13 | http://www.arib.or.jp/english/html/overview/doc/STD-T63v10_00/2_T63/ARIB-STD-T63/Rel9/36/A36307-970.pdf |

| | | | | | |
|-------------------|----------------------------|--------|-----------|--------|---|
| ATIS | ATIS.3GPP.36.307V970-2014 | 9.7.0 | Approved | May 14 | https://www.atis.org/docstore/default.aspx |
| ETSI | ETSI TS 136 307 | 9.7.0 | Published | Nov 12 | http://www.etsi.org/deliver/etsi_ts/136300_136399/136307/09.07.00_60/ |
| Release 10 | | | | | |
| ATIS | ATIS.3GPP.36.307V1060-2013 | 10.6.0 | Approved | Jun 13 | https://www.atis.org/docstore/default.aspx |
| ETSI | ETSI TS 136 307 | 10.6.0 | Published | Feb 13 | http://www.etsi.org/deliver/etsi_ts/136300_136399/136307/10.06.00_60/ |
| Release 11 | | | | | |
| ATIS | ATIS.3GPP.36.307V1130-2013 | 11.3.0 | Approved | Jun 13 | https://www.atis.org/docstore/default.aspx |
| ETSI | ETSI TS 136 307 | 11.3.0 | Published | Feb 13 | http://www.etsi.org/deliver/etsi_ts/136300_136399/136307/11.03.00_60/ |

5.3.2.7.6 TS 36.314

Evolved Universal Terrestrial Radio Access (E-UTRA); Layer 2 – Measurements

This document contains the description and definition of the measurements performed by E-UTRAN that are transferred over the standardised interfaces in order to support E-UTRA radio link operations, radio resource management (RRM), network operations and maintenance (OAM), and self-organising networks (SON).

| SDO (2) | Document No. | Version | Status | Issued date | Location (1) |
|-------------------|----------------------------|---------|-----------|-------------|---|
| Release 8 | | | | | |
| ARIB | ARIB STD-T63-36.314 | 8.3.0 | Approved | Jul 13 | http://www.arib.or.jp/english/html/overview/doc/STD-T63v10_00/2_T63/ARIB-STD-T63/Rel8/36/A36314-830.pdf |
| ATIS | ATIS.3GPP.36.314V830-2010 | 8.3.0 | Approved | Jul 10 | https://www.atis.org/docstore/default.aspx |
| CCSA | CCSA-TSD-TDD-36.314 | 8.3.0 | Published | Mar 10 | http://www.ccsa.org.cn/english/tc/files.php?docpath=/ITU-R/M.1457/M.1457-12/TDD |
| ETSI | ETSI TS 136 314 | 8.3.0 | Published | Feb 10 | http://www.etsi.org/deliver/etsi_ts/136300_136399/136314/08.03.00_60/ |
| Release 9 | | | | | |
| ARIB | ARIB STD-T63-36.314 | 9.1.0 | Approved | Jul 13 | http://www.arib.or.jp/english/html/overview/doc/STD-T63v10_00/2_T63/ARIB-STD-T63/Rel9/36/A36314-910.pdf |
| ATIS | ATIS.3GPP.36.314V910-2012 | 9.1.0 | Approved | Jul 12 | https://www.atis.org/docstore/default.aspx |
| CCSA | CCSA-TSD-TDD-36.314 | 9.1.0 | Published | Jun 12 | http://www.ccsa.org.cn/english/tc/files.php?docpath=/ITU-R/M.1457/M.1457-12/TDD |
| ETSI | ETSI TS 136 314 | 9.1.0 | Published | Jul 10 | http://www.etsi.org/deliver/etsi_ts/136300_136399/136314/09.01.00_60/ |
| Release 10 | | | | | |
| ATIS | ATIS.3GPP.36.314V1020-2013 | 10.2.0 | Approved | Jun 13 | https://www.atis.org/docstore/default.aspx |
| CCSA | CCSA-TSD-TDD-36.314 | 10.2.0 | Published | Jun 12 | http://www.ccsa.org.cn/english/tc/files.php?docpath=/ITU-R/M.1457/M.1457-12/TDD |
| ETSI | ETSI TS 136 314 | 10.2.0 | Published | Nov 11 | http://www.etsi.org/deliver/etsi_ts/136300_136399/136314/10.02.00_60/ |
| Release 11 | | | | | |
| ATIS | ATIS.3GPP.36.314V1110-2013 | 11.1.0 | Approved | Jun 13 | https://www.atis.org/docstore/default.aspx |
| CCSA | CCSA-TSD-TDD-36.314 | 11.1.0 | Published | Jun 14 | http://www.ccsa.org.cn/english/tc/files.php?docpath=/ITU-R/M.1457/M.1457-12/TDD |
| ETSI | ETSI TS 136 314 | 11.1.0 | Published | Feb 13 | http://www.etsi.org/deliver/etsi_ts/136300_136399/136314/11.01.00_60/ |

5.3.2.7.7 TS 36.321

Evolved Universal Terrestrial Radio Access (E-UTRA); Medium Access Control (MAC) protocol specification

This specification describes the E-UTRA MAC protocol.

| SDO (2) | Document No. | Version | Status | Issued date | Location (1) |
|---------|--------------|---------|--------|-------------|--------------|
|---------|--------------|---------|--------|-------------|--------------|

Release 8

| | | | | | |
|------|----------------------------|--------|-----------|--------|---|
| ARIB | ARIB STD-T63-36.321 | 8.12.0 | Approved | Jul 13 | http://www.arib.or.jp/english/html/overview/doc/STD-T63v10_00/2_T63/ARIB-STD-T63/Rel8/36/A36321-8c0.pdf |
| ATIS | ATIS.3GPP.36.321V8120-2014 | 8.12.0 | Approved | May 14 | https://www.atis.org/docstore/default.aspx |
| CCSA | CCSA-TSD-TDD-36.321 | 8.11.0 | Published | Jun 12 | http://www.ccsa.org.cn/english/tc/files.php?docpath=/ITU-R/M.1457/M.1457-12/TDD |
| ETSI | ETSI TS 136 321 | 8.12.0 | Published | Mar 12 | http://www.etsi.org/deliver/etsi_ts/136300_136399/136321/08.12.00_60/ |

Release 9

| | | | | | |
|------|---------------------------|-------|-----------|--------|---|
| ARIB | ARIB STD-T63-36.321 | 9.6.0 | Approved | Jul 13 | http://www.arib.or.jp/english/html/overview/doc/STD-T63v10_00/2_T63/ARIB-STD-T63/Rel9/36/A36321-960.pdf |
| ATIS | ATIS.3GPP.36.321V960-2014 | 9.6.0 | Approved | May 14 | https://www.atis.org/docstore/default.aspx |
| CCSA | CCSA-TSD-TDD-36.321 | 9.5.0 | Published | Jun 12 | http://www.ccsa.org.cn/english/tc/files.php?docpath=/ITU-R/M.1457/M.1457-12/TDD |
| ETSI | ETSI TS 136 321 | 9.6.0 | Published | Mar 12 | http://www.etsi.org/deliver/etsi_ts/136300_136399/136321/09.06.00_60/ |

Release 10

| | | | | | |
|------|----------------------------|--------|-----------|--------|---|
| ATIS | ATIS.3GPP.36.321V1080-2013 | 10.8.0 | Approved | Jun 13 | https://www.atis.org/docstore/default.aspx |
| CCSA | CCSA-TSD-TDD-36.321 | 10.4.0 | Published | Jun 12 | http://www.ccsa.org.cn/english/tc/files.php?docpath=/ITU-R/M.1457/M.1457-12/TDD |
| ETSI | ETSI TS 136 321 | 10.8.0 | Published | Apr 13 | http://www.etsi.org/deliver/etsi_ts/136300_136399/136321/10.08.00_60/ |

Release 11

| | | | | | |
|------|----------------------------|--------|-----------|--------|---|
| ATIS | ATIS.3GPP.36.321V1120-2013 | 11.2.0 | Approved | Jun 13 | https://www.atis.org/docstore/default.aspx |
| CCSA | CCSA-TSD-TDD-36.321 | 11.5.0 | Published | Jun 14 | http://www.ccsa.org.cn/english/tc/files.php?docpath=/ITU-R/M.1457/M.1457-12/TDD |
| ETSI | ETSI TS 136 321 | 11.2.0 | Published | Apr 13 | http://www.etsi.org/deliver/etsi_ts/136300_136399/136321/11.02.00_60/ |

5.3.2.7.8 TS 36.322**Evolved Universal Terrestrial Radio Access (E-UTRA); Radio Link Control (RLC) protocol specification**

This specification describes the E-UTRA Radio Link Control (RLC) protocol.

| SDO (2) | Document No. | Version | Status | Issued date | Location (1) |
|-------------------|----------------------------|---------|-----------|-------------|---|
| Release 8 | | | | | |
| ARIB | ARIB STD-T63-36.322 | 8.8.0 | Approved | Jul 13 | http://www.arib.or.jp/english/html/overview/doc/STD-T63v10_00/2_T63/ARIB-STD-T63/Rel8/36/A36322-880.pdf |
| ATIS | ATIS.3GPP.36.322V880-2012 | 8.8.0 | Approved | Jul 12 | https://www.atis.org/docstore/default.aspx |
| CCSA | CCSA-TSD-TDD-36.322 | 8.8.0 | Published | Jun 12 | http://www.ccsa.org.cn/english/tc/files.php?docpath=/ITU-R/M.1457/M.1457-12/TDD |
| ETSI | ETSI TS 136 322 | 8.8.0 | Published | Jul 10 | http://www.etsi.org/deliver/etsi_ts/136300_136399/136322/08.08.00_60/ |
| Release 9 | | | | | |
| ARIB | ARIB STD-T63-36.322 | 9.3.0 | Approved | Jul 13 | http://www.arib.or.jp/english/html/overview/doc/STD-T63v10_00/2_T63/ARIB-STD-T63/Rel9/36/A36322-930.pdf |
| ATIS | ATIS.3GPP.36.322V930-2012 | 9.3.0 | Approved | Jul 12 | https://www.atis.org/docstore/default.aspx |
| CCSA | CCSA-TSD-TDD-36.322 | 9.3.0 | Published | Jun 12 | http://www.ccsa.org.cn/english/tc/files.php?docpath=/ITU-R/M.1457/M.1457-12/TDD |
| ETSI | ETSI TS 136 322 | 9.3.0 | Published | Oct 10 | http://www.etsi.org/deliver/etsi_ts/136300_136399/136322/09.03.00_60/ |
| Release 10 | | | | | |
| ATIS | ATIS.3GPP.36.322V1000-2011 | 10.0.0 | Approved | Jul 11 | https://www.atis.org/docstore/default.aspx |
| CCSA | CCSA-TSD-TDD-36.322 | 10.0.0 | Published | Jun 12 | http://www.ccsa.org.cn/english/tc/files.php?docpath=/ITU-R/M.1457/M.1457-12/TDD |
| ETSI | ETSI TS 136 322 | 10.0.0 | Published | Jan 11 | http://www.etsi.org/deliver/etsi_ts/136300_136399/136322/10.00.00_60/ |
| Release 11 | | | | | |
| ATIS | ATIS.3GPP.36.322V1100-2013 | 11.0.0 | Approved | Jun 13 | https://www.atis.org/docstore/default.aspx |
| CCSA | CCSA-TSD-TDD-36.322 | 11.0.0 | Published | Jun 14 | http://www.ccsa.org.cn/english/tc/files.php?docpath=/ITU-R/M.1457/M.1457-12/TDD |
| ETSI | ETSI TS 136 322 | 11.0.0 | Published | Oct 12 | http://www.etsi.org/deliver/etsi_ts/136300_136399/136322/11.00.00_60/ |

5.3.2.7.9 TS 36.323**Evolved Universal Terrestrial Radio Access (E-UTRA); Packet Data Convergence Protocol (PDCP) specification**

This specification describes the Packet Data Convergence Protocol (PDCP).

| SDO (2) | Document No. | Version | Status | Issued date | Location (1) |
|-------------------|----------------------------|---------|-----------|-------------|---|
| Release 8 | | | | | |
| ARIB | ARIB STD-T63-36.323 | 8.6.0 | Approved | Jul 13 | http://www.arib.or.jp/english/html/overview/doc/STD-T63v10_00/2_T63/ARIB-STD-T63/Rel8/36/A36323-860.pdf |
| ATIS | ATIS.3GPP.36.323V860-2010 | 8.6.0 | Approved | Jul 10 | https://www.atis.org/docstore/default.aspx |
| CCSA | CCSA-TSD-TDD-36.323 | 8.6.0 | Published | Mar 10 | http://www.ccsa.org.cn/english/tc/files.php?docpath=/ITU-R/M.1457/M.1457-12/TDD |
| ETSI | ETSI TS 136 323 | 8.6.0 | Published | Jul 09 | http://www.etsi.org/deliver/etsi_ts/136300_136399/136323/08.06.00_60/ |
| Release 9 | | | | | |
| ARIB | ARIB STD-T63-36.323 | 9.0.0 | Approved | Jul 13 | http://www.arib.or.jp/english/html/overview/doc/STD-T63v10_00/2_T63/ARIB-STD-T63/Rel9/36/A36323-900.pdf |
| ATIS | ATIS.3GPP.36.323V900-2010 | 9.0.0 | Approved | Jul 10 | https://www.atis.org/docstore/default.aspx |
| CCSA | CCSA-TSD-TDD-36.323 | 9.0.0 | Published | Mar 10 | http://www.ccsa.org.cn/english/tc/files.php?docpath=/ITU-R/M.1457/M.1457-12/TDD |
| ETSI | ETSI TS 136 323 | 9.0.0 | Published | Feb 10 | http://www.etsi.org/deliver/etsi_ts/136300_136399/136323/09.00.00_60/ |
| Release 10 | | | | | |
| ATIS | ATIS.3GPP.36.323V1020-2013 | 10.2.0 | Approved | Jun 13 | https://www.atis.org/docstore/default.aspx |
| CCSA | CCSA-TSD-TDD-36.323 | 10.1.0 | Published | Jun 12 | http://www.ccsa.org.cn/english/tc/files.php?docpath=/ITU-R/M.1457/M.1457-12/TDD |
| ETSI | ETSI TS 136 323 | 10.2.0 | Published | Feb 13 | http://www.etsi.org/deliver/etsi_ts/136300_136399/136323/10.02.00_60/ |
| Release 11 | | | | | |
| ATIS | ATIS.3GPP.36.323V1120-2013 | 11.2.0 | Approved | Jun 13 | https://www.atis.org/docstore/default.aspx |
| CCSA | CCSA-TSD-TDD-36.323 | 11.1.0 | Published | Jun 14 | http://www.ccsa.org.cn/english/tc/files.php?docpath=/ITU-R/M.1457/M.1457-12/TDD |
| ETSI | ETSI TS 136 323 | 11.2.0 | Published | Apr 13 | http://www.etsi.org/deliver/etsi_ts/136300_136399/136323/11.02.00_60/ |

5.3.2.7.10 TS 36.331**Evolved Universal Terrestrial Radio Access (E-UTRA); Radio Resource Control (RRC); Protocol specification**

This specification describes the Radio Resource Control protocol for the UE-eUTRAN radio interface.

| SDO (2) | Document No. | Version | Status | Issued date | Location (1) |
|-------------------|----------------------------|---------|-----------|-------------|---|
| Release 8 | | | | | |
| ARIB | ARIB STD-T63-36.331 | 8.19.0 | Approved | Jul 13 | http://www.arib.or.jp/english/html/overview/doc/STD-T63v10_00/2_T63/ARIB-STD-T63/Rel8/36/A36331-8j0.pdf |
| ATIS | ATIS.3GPP.36.331V8190-2014 | 8.19.0 | Approved | May 14 | https://www.atis.org/docstore/default.aspx |
| CCSA | CCSA-TSD-TDD-36.331 | 8.16.0 | Published | Jun 12 | http://www.ccsa.org.cn/english/tc/files.php?docpath=/ITU-R/M.1457/M.1457-12/TDD |
| ETSI | ETSI TS 136 331 | 8.19.0 | Published | Apr 13 | http://www.etsi.org/deliver/etsi_ts/136300_136399/136331/08.19.00_60/ |
| Release 9 | | | | | |
| ARIB | ARIB STD-T63-36.331 | 9.14.1 | Approved | Jul 13 | http://www.arib.or.jp/english/html/overview/doc/STD-T63v10_00/2_T63/ARIB-STD-T63/Rel9/36/A36331-9e1.pdf |
| ATIS | ATIS.3GPP.36.331V9141-2014 | 9.14.1 | Approved | May 14 | https://www.atis.org/docstore/default.aspx |
| CCSA | CCSA-TSD-TDD-36.331 | 9.9.0 | Published | Jun 12 | http://www.ccsa.org.cn/english/tc/files.php?docpath=/ITU-R/M.1457/M.1457-12/TDD |
| ETSI | ETSI TS 136 331 | 9.14.1 | Published | Apr 13 | http://www.etsi.org/deliver/etsi_ts/136300_136399/136331/09.14.01_60/ |
| Release 10 | | | | | |
| ATIS | ATIS.3GPP.36.331V1090-2013 | 10.9.0 | Approved | Jun 13 | https://www.atis.org/docstore/default.aspx |

| | | | | | |
|-------------------|----------------------------|--------|-----------|--------|---|
| CCSA | CCSA-TSD-TDD-36.331 | 10.4.0 | Published | Jun 12 | http://www.ccsa.org.cn/english/tc/files.php?docpath=/ITU-R/M.1457/M.1457-12/TDD |
| ETSI | ETSI TS 136 331 | 10.9.0 | Published | Apr 13 | http://www.etsi.org/deliver/etsi_ts/136300_136399/136331/10.09.00_60/ |
| Release 11 | | | | | |
| ATIS | ATIS.3GPP.36.331V1130-2013 | 11.3.0 | Approved | Jun 13 | https://www.atis.org/docstore/default.aspx |
| CCSA | CCSA-TSD-TDD-36.331 | 11.7.0 | Published | Jun 14 | http://www.ccsa.org.cn/english/tc/files.php?docpath=/ITU-R/M.1457/M.1457-12/TDD |
| ETSI | ETSI TS 136 331 | 11.3.0 | Published | Apr 13 | http://www.etsi.org/deliver/etsi_ts/136300_136399/136331/11.03.00_60/ |

5.3.2.7.11 TS 36.305

Evolved Universal Terrestrial Radio Access Network (E-UTRAN); Stage 2 functional specification of User Equipment (UE) positioning in E-UTRAN

This document specifies the stage 2 of the UE positioning function of E-UTRAN, which provides the mechanisms to support or assist the calculation of the geographical position of a UE. The purpose of this stage 2 specification is to define the E-UTRAN UE Positioning architecture, functional entities and operations to support positioning methods. This description is confined to the E-UTRAN Access Stratum. This stage 2 specification covers the E-UTRAN positioning methods, state descriptions, and message flows to support UE positioning.

| SDO (2) | Document No. | Version | Status | Issued date | Location (1) |
|-------------------|----------------------------|---------|-----------|-------------|---|
| Release 9 | | | | | |
| ARIB | ARIB STD-T63-36.305 | 9.10.0 | Approved | Jul 13 | http://www.arib.or.jp/english/html/overview/doc/STD-T63v10_00/2_T63/ARIB-STD-T63/Rel9/36/A36305-9a0.pdf |
| CCSA | CCSA-TSD-TDD-36.305 | 9.8.0 | Published | Jun 12 | http://www.ccsa.org.cn/english/tc/files.php?docpath=/ITU-R/M.1457/M.1457-12/TDD |
| ETSI | ETSI TS 136 305 | 9.10.0 | Published | Feb 13 | http://www.etsi.org/deliver/etsi_ts/136300_136399/136305/09.10.00_60/ |
| Release 10 | | | | | |
| ATIS | ATIS.3GPP.36.305V1050-2013 | 10.5.0 | Approved | Jun 13 | https://www.atis.org/docstore/default.aspx |
| CCSA | CCSA-TSD-TDD-36.305 | 10.3.0 | Published | Jun 12 | http://www.ccsa.org.cn/english/tc/files.php?docpath=/ITU-R/M.1457/M.1457-12/TDD |
| ETSI | ETSI TS 136 305 | 10.5.0 | Published | Feb 13 | http://www.etsi.org/deliver/etsi_ts/136300_136399/136305/10.05.00_60/ |
| Release 11 | | | | | |
| ATIS | ATIS.3GPP.36.305V1130-2013 | 11.3.0 | Approved | Jun 13 | https://www.atis.org/docstore/default.aspx |
| CCSA | CCSA-TSD-TDD-36.305 | 11.3.0 | Published | Jun 14 | http://www.ccsa.org.cn/english/tc/files.php?docpath=/ITU-R/M.1457/M.1457-12/TDD |
| ETSI | ETSI TS 136 305 | 11.3.0 | Published | Apr 13 | http://www.etsi.org/deliver/etsi_ts/136300_136399/136305/11.03.00_60/ |

5.3.2.7.12 TS 36.355

Evolved Universal Terrestrial Radio Access (E-UTRA); LTE Positioning Protocol (LPP)

This document contains the definition of the LTE Positioning Protocol (LPP).

| SDO (2) | Document No. | Version | Status | Issued date | Location (1) |
|------------------|---------------------|---------|----------|-------------|---|
| Release 9 | | | | | |
| ARIB | ARIB STD-T63-36.355 | 9.10.0 | Approved | Jul 13 | http://www.arib.or.jp/english/html/overview/doc/STD-T63v10_00/2_T63/ARIB-STD-T63/Rel9/36/A36355-9a0.pdf |

| | | | | | |
|-------------------|----------------------------|--------|-----------|--------|---|
| CCSA | CCSA-TSD-TDD-36.355 | 9.8.0 | Published | Jun 12 | http://www.ccsa.org.cn/english/tc/files.php?docpath=/ITU-R/M.1457/M.1457-12/TDD |
| ETSI | ETSI TS 136 355 | 9.10.0 | Published | Apr 13 | http://www.etsi.org/deliver/etsi_ts/136300_136399/136355/09.10.00_60/ |
| Release 10 | | | | | |
| ATIS | ATIS.3GPP.36.355V1080-2013 | 10.8.0 | Approved | Jun 13 | https://www.atis.org/docstore/default.aspx |
| CCSA | CCSA-TSD-TDD-36.355 | 10.4.0 | Published | Jun 12 | http://www.ccsa.org.cn/english/tc/files.php?docpath=/ITU-R/M.1457/M.1457-12/TDD |
| ETSI | ETSI TS 136 355 | 10.8.0 | Published | Apr 13 | http://www.etsi.org/deliver/etsi_ts/136300_136399/136355/10.08.00_60/ |
| Release 11 | | | | | |
| ATIS | ATIS.3GPP.36.355V1120-2013 | 11.2.0 | Approved | Jun 13 | https://www.atis.org/docstore/default.aspx |
| CCSA | CCSA-TSD-TDD-36.355 | 11.4.0 | Published | Jun 14 | http://www.ccsa.org.cn/english/tc/files.php?docpath=/ITU-R/M.1457/M.1457-12/TDD |
| ETSI | ETSI TS 136 355 | 11.2.0 | Published | Apr 13 | http://www.etsi.org/deliver/etsi_ts/136300_136399/136355/11.02.00_60/ |

5.3.2.8 36.400 series

5.3.2.8.1 TS 36.401

Evolved Universal Terrestrial Radio Access Network (E-UTRAN); Architecture description

This specification describes the overall architecture of the EUTRAN, including internal interfaces and assumptions on the radio, S1 and X2 interfaces.

| SDO (2) | Document No. | Version | Status | Issued date | Location (1) |
|-------------------|-----------------------------|---------|-----------|-------------|---|
| Release 8 | | | | | |
| ATIS | ATIS.3GPP.36.401V880-2012 | 8.8.0 | Approved | Jul 12 | https://www.atis.org/docstore/default.aspx |
| CCSA | CCSA-TSD-TDD-36.401 | 8.8.0 | Published | Jun 12 | http://www.ccsa.org.cn/english/tc/files.php?docpath=/ITU-R/M.1457/M.1457-12/TDD |
| ETSI | ETSI TS 136 401 | 8.8.0 | Published | Jun 10 | http://www.etsi.org/deliver/etsi_ts/136400_136499/136401/08.08.00_60/ |
| TTC | TS-3GA-36.401(Rel8)v8.8.0 | 8.8.0 | Approved | Apr 11 | http://www.ttc.or.jp/j/document_list/free/3gpps2011/TS/TS-3GA-36.401(Rel8)v8.8.0.pdf |
| Release 9 | | | | | |
| ATIS | ATIS.3GPP.36.401V921-2012 | 9.2.1 | Approved | Jul 12 | https://www.atis.org/docstore/default.aspx |
| CCSA | CCSA-TSD-TDD-36.401 | 9.2.0 | Published | Jun 12 | http://www.ccsa.org.cn/english/tc/files.php?docpath=/ITU-R/M.1457/M.1457-12/TDD |
| ETSI | ETSI TS 136 401 | 9.2.1 | Published | May 11 | http://www.etsi.org/deliver/etsi_ts/136400_136499/136401/09.02.01_60/ |
| TTC | TS-3GA-36.401(Rel9)v9.2.0 | 9.2.0 | Approved | Apr 11 | http://www.ttc.or.jp/j/document_list/free/3gpps2011/TS/TS-3GA-36.401(Rel9)v9.2.0.pdf |
| Release 10 | | | | | |
| ATIS | ATIS.3GPP.36.401V1040-2013 | 10.4.0 | Approved | Jun 13 | https://www.atis.org/docstore/default.aspx |
| CCSA | CCSA-TSD-TDD-36.401 | 10.3.0 | Published | Jun 12 | http://www.ccsa.org.cn/english/tc/files.php?docpath=/ITU-R/M.1457/M.1457-12/TDD |
| ETSI | ETSI TS 136 401 | 10.4.0 | Published | Jul 12 | http://www.etsi.org/deliver/etsi_ts/136400_136499/136401/10.04.00_60/ |
| TTC | TS-3GA-36.401(Rel10)v10.4.0 | 10.4.0 | Approved | Sep 12 | http://www.ttc.or.jp/j/document_list/free/3gpps2011/TS/TS-3GA-36.401(Rel10)v10.3.0.pdf |
| Release 11 | | | | | |
| ATIS | ATIS.3GPP.36.401V1110-2013 | 11.1.0 | Approved | Jun 13 | https://www.atis.org/docstore/default.aspx |
| CCSA | CCSA-TSD-TDD-36.401 | 11.2.0 | Published | Jun 14 | http://www.ccsa.org.cn/english/tc/files.php?docpath=/ITU-R/M.1457/M.1457-12/TDD |
| ETSI | ETSI TS 136 401 | 11.1.0 | Published | Jan 13 | http://www.etsi.org/deliver/etsi_ts/136400_136499/136401/11.01.00_60/ |
| TTC | TS-3GA-36.401(Rel11)v11.1.0 | 11.1.0 | Approved | Jun 13 | http://www.ttc.or.jp/jp/document_list/free/3gpps2013/TS/TS-3GA-36.401(Rel11)v11.1.0.pdf |

5.3.2.8.2 TS 36.410

Evolved Universal Terrestrial Radio Access Network (E-UTRAN); S1 general aspects and principles

This specification provides an introduction to the 3GPP TS 36.41x series of technical specifications that define the S1 interface.

| SDO (2) | Document No. | Version | Status | Issued date | Location (1) |
|-------------------|-----------------------------|---------|-----------|-------------|---|
| Release 8 | | | | | |
| ATIS | ATIS.3GPP.36.410V830-2012 | 8.3.0 | Approved | Jul 12 | https://www.atis.org/docstore/default.aspx |
| CCSA | CCSA-TSD-TDD-36.410 | 8.3.0 | Published | Jun 12 | http://www.ccsa.org.cn/english/tc/files.php?docpath=/ITU-R/M.1457/M.1457-12/TDD |
| ETSI | ETSI TS 136 410 | 8.3.0 | Published | Jun 10 | http://www.etsi.org/deliver/etsi_ts/136400_136499/136410/08.03.00_60/ |
| TTC | TS-3GA-36.410(Rel8)v8.3.0 | 8.3.0 | Approved | Apr 11 | http://www.ttc.or.jp/j/document_list/free/3gpps2011/TS/TS-3GA-36.410(Rel8)v8.3.0.pdf |
| Release 9 | | | | | |
| ATIS | ATIS.3GPP.36.410V911-2012 | 9.1.1 | Approved | Jul 12 | https://www.atis.org/docstore/default.aspx |
| CCSA | CCSA-TSD-TDD-36.410 | 9.1.1 | Published | Jun 12 | http://www.ccsa.org.cn/english/tc/files.php?docpath=/ITU-R/M.1457/M.1457-12/TDD |
| ETSI | ETSI TS 136 410 | 9.1.1 | Published | May 11 | http://www.etsi.org/deliver/etsi_ts/136400_136499/136410/09.01.01_60/ |
| TTC | TS-3GA-36.410(Rel9)v9.1.0 | 9.1.0 | Approved | Apr 11 | http://www.ttc.or.jp/j/document_list/free/3gpps2011/TS/TS-3GA-36.410(Rel9)v9.1.0.pdf |
| Release 10 | | | | | |
| ATIS | ATIS.3GPP.36.410V1030-2013 | 10.3.0 | Approved | Jun 13 | https://www.atis.org/docstore/default.aspx |
| CCSA | CCSA-TSD-TDD-36.410 | 10.2.0 | Published | Jun 12 | http://www.ccsa.org.cn/english/tc/files.php?docpath=/ITU-R/M.1457/M.1457-12/TDD |
| ETSI | ETSI TS 136 410 | 10.3.0 | Published | Jul 12 | http://www.etsi.org/deliver/etsi_ts/136400_136499/136410/10.03.00_60/ |
| TTC | TS-3GA-36.410(Rel10)v10.3.0 | 10.3.0 | Approved | Sep 12 | http://www.ttc.or.jp/j/document_list/free/3gpps2011/TS/TS-3GA-36.410(Rel10)v10.2.0.pdf |
| Release 11 | | | | | |
| ATIS | ATIS.3GPP.36.410V1100-2013 | 11.0.0 | Approved | Jun 13 | https://www.atis.org/docstore/default.aspx |
| CCSA | CCSA-TSD-TDD-36.410 | 11.1.0 | Published | Jun 14 | http://www.ccsa.org.cn/english/tc/files.php?docpath=/ITU-R/M.1457/M.1457-12/TDD |
| ETSI | ETSI TS 136 410 | 11.0.0 | Published | Oct 12 | http://www.etsi.org/deliver/etsi_ts/136400_136499/136410/11.00.00_60/ |
| TTC | TS-3GA-36.410(Rel11)v11.0.0 | 11.0.0 | Approved | Jun 13 | http://www.ttc.or.jp/j/document_list/free/3gpps2013/TS/TS-3GA-36.410(Rel11)v11.0.0.pdf |

5.3.2.8.3 TS 36.411

Evolved Universal Terrestrial Radio Access Network (E-UTRAN); S1 layer 1

This specification describes the standards allowed to implement Layer 1 on the S1 interface.

| SDO (2) | Document No. | Version | Status | Issued date | Location (1) |
|-------------------|----------------------------|---------|-----------|-------------|---|
| Release 8 | | | | | |
| ATIS | ATIS.3GPP.36.411V810-2009 | 8.1.0 | Approved | Jul 09 | https://www.atis.org/docstore/default.aspx |
| CCSA | CCSA-TSD-TDD-36.411 | 8.1.0 | Published | Jan 09 | http://www.ccsa.org.cn/english/tc/files.php?docpath=/ITU-R/M.1457/M.1457-12/TDD |
| ETSI | ETSI TS 136 411 | 8.1.0 | Published | Jan 09 | http://www.etsi.org/deliver/etsi_ts/136400_136499/136411/08.01.00_60/ |
| TTC | TS-3GA-36.411(Rel8)v8.1.0 | 8.1.0 | Approved | Apr 11 | http://www.ttc.or.jp/j/document_list/free/3gpps2011/TS/TS-3GA-36.411(Rel8)v8.1.0.pdf |
| Release 9 | | | | | |
| ATIS | ATIS.3GPP.36.411V900-2010 | 9.0.0 | Approved | Jul 10 | https://www.atis.org/docstore/default.aspx |
| CCSA | CCSA-TSD-TDD-36.411 | 9.0.0 | Published | Mar 10 | http://www.ccsa.org.cn/english/tc/files.php?docpath=/ITU-R/M.1457/M.1457-12/TDD |
| ETSI | ETSI TS 136 411 | 9.0.0 | Published | Feb 10 | http://www.etsi.org/deliver/etsi_ts/136400_136499/136411/09.00.00_60/ |
| TTC | TS-3GA-36.411(Rel9)v9.0.0 | 9.0.0 | Approved | Apr 11 | http://www.ttc.or.jp/j/document_list/free/3gpps2011/TS/TS-3GA-36.411(Rel9)v9.0.0.pdf |
| Release 10 | | | | | |
| ATIS | ATIS.3GPP.36.411V1010-2011 | 10.1.0 | Approved | Jul 11 | https://www.atis.org/docstore/default.aspx |
| CCSA | CCSA-TSD-TDD-36.411 | 10.1.0 | Published | Jun 12 | http://www.ccsa.org.cn/english/tc/files.php?docpath=/ITU-R/M.1457/M.1457-12/TDD |

| | | | | | |
|-------------------|-----------------------------|--------|-----------|--------|---|
| ETSI | ETSI TS 136 411 | 10.1.0 | Published | Jun 11 | http://www.etsi.org/deliver/etsi_ts/136400_136499/136411/10.01.00_60/ |
| TTC | TS-3GA-36.411(Rel10)v10.1.0 | 10.1.0 | Approved | Aug 11 | http://www.ttc.or.jp/j/document_list/free/3gpps2011/TS/TS-3GA-36.411(Rel10)v10.1.0.pdf |
| Release 11 | | | | | |
| ATIS | ATIS.3GPP.36.411V1100-2013 | 11.0.0 | Approved | Jun 13 | https://www.atis.org/docstore/default.aspx |
| CCSA | CCSA-TSD-TDD-36.411 | 11.0.0 | Published | Jun 14 | http://www.ccsa.org.cn/english/tc/files.php?docpath=/ITU-R/M.1457/M.1457-12/TDD |
| ETSI | ETSI TS 136 411 | 11.0.0 | Published | Oct 12 | http://www.etsi.org/deliver/etsi_ts/136400_136499/136411/11.00.00_60/ |
| TTC | TS-3GA-36.411(Rel11)v11.0.0 | 11.0.0 | Approved | Jun 13 | http://www.ttc.or.jp/j/document_list/free/3gpps2013/TS/TS-3GA-36.411(Rel11)v11.0.0.pdf |

5.3.2.8.4 TS 36.412

Evolved Universal Terrestrial Radio Access Network (E-UTRAN); S1 signalling transport

This specification describes the Signalling Transport to be used across S1 interface.

| SDO (2) | Document No. | Version | Status | Issued date | Location (1) |
|-------------------|-----------------------------|---------|-----------|-------------|---|
| Release 8 | | | | | |
| ATIS | ATIS.3GPP.36.412V860-2010 | 8.6.0 | Approved | Jul 10 | https://www.atis.org/docstore/default.aspx |
| CCSA | CCSA-TSD-TDD-36.412 | 8.6.0 | Published | Mar 10 | http://www.ccsa.org.cn/english/tc/files.php?docpath=/ITU-R/M.1457/M.1457-12/TDD |
| ETSI | ETSI TS 136 412 | 8.6.0 | Published | Feb 10 | http://www.etsi.org/deliver/etsi_ts/136400_136499/136412/08.06.00_60/ |
| TTC | TS-3GA-36.412(Rel8)v8.6.0 | 8.6.0 | Approved | Apr 11 | http://www.ttc.or.jp/j/document_list/free/3gpps2011/TS/TS-3GA-36.412(Rel8)v8.6.0.pdf |
| Release 9 | | | | | |
| ATIS | ATIS.3GPP.36.412V911-2012 | 9.1.1 | Approved | Jul 12 | https://www.atis.org/docstore/default.aspx |
| CCSA | CCSA-TSD-TDD-36.412 | 9.1.1 | Published | Jun 12 | http://www.ccsa.org.cn/english/tc/files.php?docpath=/ITU-R/M.1457/M.1457-12/TDD |
| ETSI | ETSI TS 136 412 | 9.1.1 | Published | May 11 | http://www.etsi.org/deliver/etsi_ts/136400_136499/136412/09.01.01_60/ |
| TTC | TS-3GA-36.412(Rel9)v9.1.0 | 9.1.0 | Approved | Apr 11 | http://www.ttc.or.jp/j/document_list/free/3gpps2011/TS/TS-3GA-36.412(Rel9)v9.1.0.pdf |
| Release 10 | | | | | |
| ATIS | ATIS.3GPP.36.412V1010-2011 | 10.1.0 | Approved | Jul 11 | https://www.atis.org/docstore/default.aspx |
| CCSA | CCSA-TSD-TDD-36.412 | 10.1.0 | Published | Jun 12 | http://www.ccsa.org.cn/english/tc/files.php?docpath=/ITU-R/M.1457/M.1457-12/TDD |
| ETSI | ETSI TS 136 412 | 10.1.0 | Published | Jun 11 | http://www.etsi.org/deliver/etsi_ts/136400_136499/136412/10.01.00_60/ |
| TTC | TS-3GA-36.412(Rel10)v10.1.0 | 10.1.0 | Approved | Aug 11 | http://www.ttc.or.jp/j/document_list/free/3gpps2011/TS/TS-3GA-36.412(Rel10)v10.1.0.pdf |
| Release 11 | | | | | |
| ATIS | ATIS.3GPP.36.412V1100-2013 | 11.0.0 | Approved | Jun 13 | https://www.atis.org/docstore/default.aspx |
| CCSA | CCSA-TSD-TDD-36.412 | 11.0.0 | Published | Jun 14 | http://www.ccsa.org.cn/english/tc/files.php?docpath=/ITU-R/M.1457/M.1457-12/TDD |
| ETSI | ETSI TS 136 412 | 11.0.0 | Published | Oct 12 | http://www.etsi.org/deliver/etsi_ts/136400_136499/136412/11.00.00_60/ |
| TTC | TS-3GA-36.412(Rel11)v11.0.0 | 11.0.0 | Approved | Jun 13 | http://www.ttc.or.jp/j/document_list/free/3gpps2013/TS/TS-3GA-36.412(Rel11)v11.0.0.pdf |

5.3.2.8.5 TS 36.413

Evolved Universal Terrestrial Radio Access Network (E-UTRAN); S1 Application Protocol (S1AP)

This specification describes the E-UTRAN radio network layer signalling protocol for the S1 interface.

| SDO (2) | Document No. | Version | Status | Issued date | Location (1) |
|---------|--------------|---------|--------|-------------|--------------|
|---------|--------------|---------|--------|-------------|--------------|

Release 8

| | | | | | |
|-------------------|-----------------------------|--------|-----------|--------|---|
| ATIS | ATIS.3GPP.36.413V8100-2012 | 8.10.0 | Approved | Jul 12 | https://www.atis.org/docstore/default.aspx |
| CCSA | CCSA-TSD-TDD-36.413 | 8.10.0 | Published | Jun 12 | http://www.ccsa.org.cn/english/tc/files.php?docpath=/ITU-R/M.1457/M.1457-12/TDD |
| ETSI | ETSI TS 136 413 | 8.10.0 | Published | Jun 10 | http://www.etsi.org/deliver/etsi_ts/136400_136499/136413/08.10.00_60/ |
| TTC | TS-3GA-36.413(Rel8)v8.10.0 | 8.10.0 | Approved | Apr 11 | http://www.ttc.or.jp/j/document_list/free/3gpps2011/TS/TS-3GA-36.413(Rel8)v8.10.0.pdf |
| Release 9 | | | | | |
| ATIS | ATIS.3GPP.36.413V980-2014 | 9.8.0 | Approved | May 14 | https://www.atis.org/docstore/default.aspx |
| CCSA | CCSA-TSD-TDD-36.413 | 9.8.0 | Published | Jun 12 | http://www.ccsa.org.cn/english/tc/files.php?docpath=/ITU-R/M.1457/M.1457-12/TDD |
| ETSI | ETSI TS 136 413 | 9.8.0 | Published | Jan 12 | http://www.etsi.org/deliver/etsi_ts/136400_136499/136413/09.08.00_60/ |
| TTC | TS-3GA-36.413(Rel9)v9.8.0 | 9.8.0 | Approved | Feb 12 | http://www.ttc.or.jp/j/document_list/free/3gpps2012/TS/TS-3GA-36.413(Rel9)v9.8.0.pdf |
| Release 10 | | | | | |
| ATIS | ATIS.3GPP.36.413V1060-2013 | 10.6.0 | Approved | Jun 13 | https://www.atis.org/docstore/default.aspx |
| CCSA | CCSA-TSD-TDD-36.413 | 10.4.0 | Published | Jun 12 | http://www.ccsa.org.cn/english/tc/files.php?docpath=/ITU-R/M.1457/M.1457-12/TDD |
| ETSI | ETSI TS 136 413 | 10.6.0 | Published | Jul 12 | http://www.etsi.org/deliver/etsi_ts/136400_136499/136413/10.06.00_60/ |
| TTC | TS-3GA-36.413(Rel10)v10.6.0 | 10.6.0 | Approved | Sep 12 | http://www.ttc.or.jp/j/document_list/free/3gpps2012/TS/TS-3GA-36.413(Rel10)v10.5.0.pdf |
| Release 11 | | | | | |
| ATIS | ATIS.3GPP.36.413V1130-2013 | 11.3.0 | Approved | Jun 13 | https://www.atis.org/docstore/default.aspx |
| CCSA | CCSA-TSD-TDD-36.413 | 11.7.0 | Published | Jun 14 | http://www.ccsa.org.cn/english/tc/files.php?docpath=/ITU-R/M.1457/M.1457-12/TDD |
| ETSI | ETSI TS 136 413 | 11.3.0 | Published | Apr 13 | http://www.etsi.org/deliver/etsi_ts/136400_136499/136413/11.03.00_60/ |
| TTC | TS-3GA-36.413(Rel11)v11.3.0 | 11.3.0 | Approved | Jun 13 | http://www.ttc.or.jp/j/document_list/free/3gpps2013/TS/TS-3GA-36.413(Rel11)v11.3.0.pdf |

5.3.2.8.6 TS 36.414

Evolved Universal Terrestrial Radio Access Network (E-UTRAN); S1 data transport

This specification describes the standards for user data transport protocols and related signalling protocols to establish user plane transport bearers over the S1 interface.

Release 8

| | | | | | |
|------|---------------------------|-------|-----------|--------|---|
| ATIS | ATIS.3GPP.36.414V840-2009 | 8.4.0 | Approved | Jul 09 | https://www.atis.org/docstore/default.aspx |
| CCSA | CCSA-TSD-TDD-36.414 | 8.4.0 | Published | Apr 09 | http://www.ccsa.org.cn/english/tc/files.php?docpath=/ITU-R/M.1457/M.1457-12/TDD |
| ETSI | ETSI TS 136 414 | 8.4.0 | Published | Apr 09 | http://www.etsi.org/deliver/etsi_ts/136400_136499/136414/08.04.00_60/ |
| TTC | TS-3GA-36.414(Rel8)v8.4.0 | 8.4.0 | Approved | Apr 11 | http://www.ttc.or.jp/j/document_list/free/3gpps2011/TS/TS-3GA-36.414(Rel8)v8.4.0.pdf |

Release 9

| | | | | | |
|------|---------------------------|-------|-----------|--------|---|
| ATIS | ATIS.3GPP.36.414V901-2012 | 9.0.1 | Approved | Jul 12 | https://www.atis.org/docstore/default.aspx |
| CCSA | CCSA-TSD-TDD-36.414 | 9.0.1 | Published | Jun 12 | http://www.ccsa.org.cn/english/tc/files.php?docpath=/ITU-R/M.1457/M.1457-12/TDD |
| ETSI | ETSI TS 136 414 | 9.0.1 | Published | May 11 | http://www.etsi.org/deliver/etsi_ts/136400_136499/136414/09.00.01_60/ |
| TTC | TS-3GA-36.414(Rel9)v9.0.0 | 9.0.0 | Approved | Apr 11 | http://www.ttc.or.jp/j/document_list/free/3gpps2011/TS/TS-3GA-36.414(Rel9)v9.0.0.pdf |

Release 10

| | | | | | |
|------|-----------------------------|--------|-----------|--------|---|
| ATIS | ATIS.3GPP.36.414V1010-2011 | 10.1.0 | Approved | Jul 11 | https://www.atis.org/docstore/default.aspx |
| CCSA | CCSA-TSD-TDD-36.414 | 10.1.0 | Published | Jun 12 | http://www.ccsa.org.cn/english/tc/files.php?docpath=/ITU-R/M.1457/M.1457-12/TDD |
| ETSI | ETSI TS 136 414 | 10.1.0 | Published | Jun 11 | http://www.etsi.org/deliver/etsi_ts/136400_136499/136414/10.01.00_60/ |
| TTC | TS-3GA-36.414(Rel10)v10.1.0 | 10.1.0 | Approved | Aug 11 | http://www.ttc.or.jp/j/document_list/free/3gpps2011/TS/TS-3GA-36.414(Rel10)v10.1.0.pdf |

Release 11

| | | | | | |
|------|----------------------------|--------|----------|--------|---|
| ATIS | ATIS.3GPP.36.414V1100-2013 | 11.0.0 | Approved | Jun 13 | https://www.atis.org/docstore/default.aspx |
|------|----------------------------|--------|----------|--------|---|

| | | | | | |
|------|-----------------------------|--------|-----------|--------|---|
| CCSA | CCSA-TSD-TDD-36.414 | 11.0.0 | Published | Jun 14 | http://www.ccsa.org.cn/english/tc/files.php?docpath=/ITU-R/M.1457/M.1457-12/TDD |
| ETSI | ETSI TS 136 414 | 11.0.0 | Published | Oct 12 | http://www.etsi.org/deliver/etsi_ts/136400_136499/136414/11.00.00_60/ |
| TTC | TS-3GA-36.414(Rel11)v11.0.0 | 11.0.0 | Approved | Jun 13 | http://www.ttc.or.jp/j/document_list/free/3gpps2013/TS/TS-3GA-36.414(Rel11)v11.0.0.pdf |

5.3.2.8.7 TS 36.420

Evolved Universal Terrestrial Radio Access Network (E-UTRAN); X2 general aspects and principles

This specification provides an introduction to the TSG RAN TS 36.42x series of UMTS Technical Specifications that define the X2 interface.

| SDO (2) | Document No. | Version | Status | Issued date | Location (1) |
|-------------------|-----------------------------|---------|-----------|-------------|---|
| Release 8 | | | | | |
| ATIS | ATIS.3GPP.36.420V810-2009 | 8.1.0 | Approved | Jul 09 | https://www.atis.org/docstore/default.aspx |
| CCSA | CCSA-TSD-TDD-36.420 | 8.1.0 | Published | Jan 09 | http://www.ccsa.org.cn/english/tc/files.php?docpath=/ITU-R/M.1457/M.1457-12/TDD |
| ETSI | ETSI TS 136 420 | 8.1.0 | Published | Jan 09 | http://www.etsi.org/deliver/etsi_ts/136400_136499/136420/08.01.00_60/ |
| TTC | TS-3GA-36.420(Rel8)v8.1.0 | 8.1.0 | Approved | Apr 11 | http://www.ttc.or.jp/j/document_list/free/3gpps2011/TS/TS-3GA-36.420(Rel8)v8.1.0.pdf |
| Release 9 | | | | | |
| ATIS | ATIS.3GPP.36.420V901-2012 | 9.0.1 | Approved | Jul 12 | https://www.atis.org/docstore/default.aspx |
| CCSA | CCSA-TSD-TDD-36.420 | 9.0.1 | Published | Jun 12 | http://www.ccsa.org.cn/english/tc/files.php?docpath=/ITU-R/M.1457/M.1457-12/TDD |
| ETSI | ETSI TS 136 420 | 9.0.1 | Published | May 11 | http://www.etsi.org/deliver/etsi_ts/136400_136499/136420/09.00.01_60/ |
| TTC | TS-3GA-36.420(Rel9)v9.0.0 | 9.0.0 | Approved | Apr 11 | http://www.ttc.or.jp/j/document_list/free/3gpps2011/TS/TS-3GA-36.420(Rel9)v9.0.0.pdf |
| Release 10 | | | | | |
| ATIS | ATIS.3GPP.36.420V1020-2013 | 10.2.0 | Approved | Jun 13 | https://www.atis.org/docstore/default.aspx |
| CCSA | CCSA-TSD-TDD-36.420 | 10.2.0 | Published | Jun 12 | http://www.ccsa.org.cn/english/tc/files.php?docpath=/ITU-R/M.1457/M.1457-12/TDD |
| ETSI | ETSI TS 136 420 | 10.2.0 | Published | Oct 11 | http://www.etsi.org/deliver/etsi_ts/136400_136499/136420/10.02.00_60/ |
| TTC | TS-3GA-36.420(Rel10)v10.2.0 | 10.2.0 | Approved | Dec 11 | http://www.ttc.or.jp/j/document_list/free/3gpps2011/TS/TS-3GA-36.420(Rel10)v10.2.0.pdf |
| Release 11 | | | | | |
| ATIS | ATIS.3GPP.36.420V1100-2013 | 11.0.0 | Approved | Jun 13 | https://www.atis.org/docstore/default.aspx |
| CCSA | CCSA-TSD-TDD-36.420 | 11.0.0 | Published | Jun 14 | http://www.ccsa.org.cn/english/tc/files.php?docpath=/ITU-R/M.1457/M.1457-12/TDD |
| ETSI | ETSI TS 136 420 | 11.0.0 | Published | Oct 12 | http://www.etsi.org/deliver/etsi_ts/136400_136499/136420/11.00.00_60/ |
| TTC | TS-3GA-36.420(Rel11)v11.0.0 | 11.0.0 | Approved | Jun 13 | http://www.ttc.or.jp/j/document_list/free/3gpps2013/TS/TS-3GA-36.420(Rel11)v11.0.0.pdf |

5.3.2.8.8 TS 36.421

Evolved Universal Terrestrial Radio Access Network (E-UTRAN); X2 layer 1

This specification describes the standards allowed to implement Layer 1 on the X2 interface.

| SDO (2) | Document No. | Version | Status | Issued date | Location (1) |
|------------------|---------------------------|---------|-----------|-------------|---|
| Release 8 | | | | | |
| ATIS | ATIS.3GPP.36.421V800-2008 | 8.0.0 | Approved | Oct 08 | https://www.atis.org/docstore/default.aspx |
| CCSA | CCSA-TSD-TDD-36.421 | 8.0.0 | Published | Nov 08 | http://www.ccsa.org.cn/english/tc/files.php?docpath=/ITU-R/M.1457/M.1457-12/TDD |
| ETSI | ETSI TS 136 421 | 8.0.0 | Published | Nov 08 | http://www.etsi.org/deliver/etsi_ts/136400_136499/136421/08.00.00_60/ |
| TTC | TS-3GA-36.421(Rel8)v8.0.0 | 8.0.0 | Approved | Apr 11 | http://www.ttc.or.jp/j/document_list/free/3gpps2011/TS/TS-3GA-36.421(Rel8)v8.0.0.pdf |
| Release 9 | | | | | |

| | | | | | |
|-------------------|-----------------------------|--------|-----------|--------|---|
| ATIS | ATIS.3GPP.36.421V902-2012 | 9.0.2 | Approved | Jul 12 | https://www.atis.org/docstore/default.aspx |
| CCSA | CCSA-TSD-TDD-36.421 | 9.0.2 | Published | Jun 12 | http://www.ccsa.org.cn/english/tc/files.php?docpath=/ITU-R/M.1457/M.1457-12/TDD |
| ETSI | ETSI TS 136 421 | 9.0.2 | Published | May 11 | http://www.etsi.org/deliver/etsi_ts/136400_136499/136421/09.00.02_60/ |
| TTC | TS-3GA-36.421(Rel9)v9.0.1 | 9.0.1 | Approved | Apr 11 | http://www.ttc.or.jp/j/document_list/free/3gpps2011/TS/TS-3GA-36.421(Rel9)v9.0.1.pdf |
| Release 10 | | | | | |
| ATIS | ATIS.3GPP.36.421V1001-2011 | 10.0.1 | Approved | Jul 11 | https://www.atis.org/docstore/default.aspx |
| CCSA | CCSA-TSD-TDD-36.421 | 10.0.1 | Published | Jun 12 | http://www.ccsa.org.cn/english/tc/files.php?docpath=/ITU-R/M.1457/M.1457-12/TDD |
| ETSI | ETSI TS 136 421 | 10.0.1 | Published | May 11 | http://www.etsi.org/deliver/etsi_ts/136400_136499/136421/10.00.01_60/ |
| TTC | TS-3GA-36.421(Rel10)v10.0.1 | 10.0.1 | Approved | Jun 11 | http://www.ttc.or.jp/j/document_list/free/3gpps2011/TS/TS-3GA-36.421(Rel10)v10.0.1.pdf |
| Release 11 | | | | | |
| ATIS | ATIS.3GPP.36.421V1110-2013 | 11.1.0 | Approved | Jun 13 | https://www.atis.org/docstore/default.aspx |
| CCSA | CCSA-TSD-TDD-36.421 | 11.1.0 | Published | Jun 14 | http://www.ccsa.org.cn/english/tc/files.php?docpath=/ITU-R/M.1457/M.1457-12/TDD |
| ETSI | ETSI TS 136 421 | 11.1.0 | Published | Jan 13 | http://www.etsi.org/deliver/etsi_ts/136400_136499/136421/11.01.00_60/ |
| TTC | TS-3GA-36.421(Rel11)v11.1.0 | 11.1.0 | Approved | Jun 13 | http://www.ttc.or.jp/j/document_list/free/3gpps2013/TS/TS-3GA-36.421(Rel11)v11.1.0.pdf |

5.3.2.8.9 TS 36.422

Evolved Universal Terrestrial Radio Access Network (E-UTRAN); X2 signalling transport

This specification describes the Signalling Transport to be used across X2 interface.

| SDO (2) | Document No. | Version | Status | Issued date | Location (1) |
|-------------------|-----------------------------|---------|-----------|-------------|---|
| Release 8 | | | | | |
| ATIS | ATIS.3GPP.36.422V860-2010 | 8.6.0 | Approved | Jul 10 | https://www.atis.org/docstore/default.aspx |
| CCSA | CCSA-TSD-TDD-36.422 | 8.6.0 | Published | Mar 10 | http://www.ccsa.org.cn/english/tc/files.php?docpath=/ITU-R/M.1457/M.1457-12/TDD |
| ETSI | ETSI TS 136 422 | 8.6.0 | Published | Feb 10 | http://www.etsi.org/deliver/etsi_ts/136400_136499/136422/08.06.00_60/ |
| TTC | TS-3GA-36.422(Rel8)v8.6.0 | 8.6.0 | Approved | Apr 11 | http://www.ttc.or.jp/j/document_list/free/3gpps2011/TS/TS-3GA-36.422(Rel8)v8.6.0.pdf |
| Release 9 | | | | | |
| ATIS | ATIS.3GPP.36.422V911-2012 | 9.1.1 | Approved | Jul 12 | https://www.atis.org/docstore/default.aspx |
| CCSA | CCSA-TSD-TDD-36.422 | 9.1.1 | Published | Jun 12 | http://www.ccsa.org.cn/english/tc/files.php?docpath=/ITU-R/M.1457/M.1457-12/TDD |
| ETSI | ETSI TS 136 422 | 9.1.1 | Published | May 11 | http://www.etsi.org/deliver/etsi_ts/136400_136499/136422/09.01.01_60/ |
| TTC | TS-3GA-36.422(Rel9)v9.1.0 | 9.1.0 | Approved | Apr 11 | http://www.ttc.or.jp/j/document_list/free/3gpps2011/TS/TS-3GA-36.422(Rel9)v9.1.0.pdf |
| Release 10 | | | | | |
| ATIS | ATIS.3GPP.36.422V1010-2011 | 10.1.0 | Approved | Jul 11 | https://www.atis.org/docstore/default.aspx |
| CCSA | CCSA-TSD-TDD-36.422 | 10.1.0 | Published | Jun 12 | http://www.ccsa.org.cn/english/tc/files.php?docpath=/ITU-R/M.1457/M.1457-12/TDD |
| ETSI | ETSI TS 136 422 | 10.1.0 | Published | Jun 11 | http://www.etsi.org/deliver/etsi_ts/136400_136499/136422/10.01.00_60/ |
| TTC | TS-3GA-36.422(Rel10)v10.1.0 | 10.1.0 | Approved | Aug 11 | http://www.ttc.or.jp/j/document_list/free/3gpps2011/TS/TS-3GA-36.422(Rel10)v10.1.0.pdf |
| Release 11 | | | | | |
| ATIS | ATIS.3GPP.36.422V1100-2013 | 11.0.0 | Approved | Jun 13 | https://www.atis.org/docstore/default.aspx |
| CCSA | CCSA-TSD-TDD-36.422 | 11.0.0 | Published | Jun 14 | http://www.ccsa.org.cn/english/tc/files.php?docpath=/ITU-R/M.1457/M.1457-12/TDD |
| ETSI | ETSI TS 136 422 | 11.0.0 | Published | Oct 12 | http://www.etsi.org/deliver/etsi_ts/136400_136499/136422/11.00.00_60/ |
| TTC | TS-3GA-36.422(Rel11)v11.0.0 | 11.0.0 | Approved | Jun 13 | http://www.ttc.or.jp/j/document_list/free/3gpps2013/TS/TS-3GA-36.422(Rel11)v11.0.0.pdf |

5.3.2.8.10 TS 36.423**Evolved Universal Terrestrial Radio Access Network (E-UTRAN); X2 Application Protocol (X2AP)**

This specification describes the E-UTRAN radio network layer signalling protocol for the X2 interface.

| SDO (2) | Document No. | Version | Status | Issued date | Location (1) |
|-------------------|-----------------------------|---------|-----------|-------------|---|
| Release 8 | | | | | |
| ATIS | ATIS.3GPP.36.423V890-2010 | 8.9.0 | Approved | Jul 10 | https://www.atis.org/docstore/default.aspx |
| CCSA | CCSA-TSD-TDD-36.423 | 8.9.0 | Published | Jun 12 | http://www.ccsa.org.cn/english/tc/files.php?docpath=/ITU-R/M.1457/M.1457-12/TDD |
| ETSI | ETSI TS 136 423 | 8.9.0 | Published | Apr 10 | http://www.etsi.org/deliver/etsi_ts/136400_136499/136423/08.09.00_60/ |
| TTC | TS-3GA-36.423(Rel8)v8.9.0 | 8.9.0 | Approved | Apr 11 | http://www.ttc.or.jp/j/document_list/free/3gpps2011/TS/TS-3GA-36.423(Rel8)v8.9.0.pdf |
| Release 9 | | | | | |
| ATIS | ATIS.3GPP.36.423V960-2012 | 9.6.0 | Approved | Jul 12 | https://www.atis.org/docstore/default.aspx |
| CCSA | CCSA-TSD-TDD-36.423 | 9.6.0 | Published | Jun 12 | http://www.ccsa.org.cn/english/tc/files.php?docpath=/ITU-R/M.1457/M.1457-12/TDD |
| ETSI | ETSI TS 136 423 | 9.6.0 | Published | Apr 11 | http://www.etsi.org/deliver/etsi_ts/136400_136499/136423/09.06.00_60/ |
| TTC | TS-3GA-36.423(Rel9)v9.6.0 | 9.6.0 | Approved | Jun 11 | http://www.ttc.or.jp/j/document_list/free/3gpps2011/TS/TS-3GA-36.423(Rel9)v9.6.0.pdf |
| Release 10 | | | | | |
| ATIS | ATIS.3GPP.36.423V1050-2013 | 10.5.0 | Approved | Jun 13 | https://www.atis.org/docstore/default.aspx |
| CCSA | CCSA-TSD-TDD-36.423 | 10.4.0 | Published | Jun 12 | http://www.ccsa.org.cn/english/tc/files.php?docpath=/ITU-R/M.1457/M.1457-12/TDD |
| ETSI | ETSI TS 136 423 | 10.5.0 | Published | Mar 12 | http://www.etsi.org/deliver/etsi_ts/136400_136499/136423/10.05.00_60/ |
| TTC | TS-3GA-36.423(Rel10)v10.5.0 | 10.5.0 | Approved | Jun 12 | http://www.ttc.or.jp/jp/document_list/free/3gpps2012/TS/TS-3GA-36.423(Rel10)v10.5.0.pdf |
| Release 11 | | | | | |
| ATIS | ATIS.3GPP.36.423V1140-2013 | 11.4.0 | Approved | Jun 13 | https://www.atis.org/docstore/default.aspx |
| CCSA | CCSA-TSD-TDD-36.423 | 11.8.0 | Published | Jun 14 | http://www.ccsa.org.cn/english/tc/files.php?docpath=/ITU-R/M.1457/M.1457-12/TDD |
| ETSI | ETSI TS 136 423 | 11.4.0 | Published | Apr 13 | http://www.etsi.org/deliver/etsi_ts/136400_136499/136423/11.04.00_60/ |
| TTC | TS-3GA-36.423(Rel11)v11.4.0 | 11.4.0 | Approved | Jun 13 | http://www.ttc.or.jp/jp/document_list/free/3gpps2013/TS/TS-3GA-36.423(Rel11)v11.4.0.pdf |

5.3.2.8.11 TS 36.424**Evolved Universal Terrestrial Radio Access Network (E-UTRAN); X2 data transport**

This specification describes the standards for user data transport protocols and related signalling protocols to establish user plane transport bearers over the X2 interface.

| SDO (2) | Document No. | Version | Status | Issued date | Location (1) |
|------------------|---------------------------|---------|-----------|-------------|---|
| Release 8 | | | | | |
| ATIS | ATIS.3GPP.36.424V850-2009 | 8.5.0 | Approved | Jul 09 | https://www.atis.org/docstore/default.aspx |
| CCSA | CCSA-TSD-TDD-36.424 | 8.5.0 | Published | Apr 09 | http://www.ccsa.org.cn/english/tc/files.php?docpath=/ITU-R/M.1457/M.1457-12/TDD |
| ETSI | ETSI TS 136 424 | 8.5.0 | Published | Apr 09 | http://www.etsi.org/deliver/etsi_ts/136400_136499/136424/08.05.00_60/ |
| TTC | TS-3GA-36.424(Rel8)v8.5.0 | 8.5.0 | Approved | Apr 11 | http://www.ttc.or.jp/j/document_list/free/3gpps2011/TS/TS-3GA-36.424(Rel8)v8.5.0.pdf |
| Release 9 | | | | | |

| | | | | | |
|-------------------|-----------------------------|--------|-----------|--------|---|
| ATIS | ATIS.3GPP.36.424V901-2012 | 9.0.1 | Approved | Jul 12 | https://www.atis.org/docstore/default.aspx |
| CCSA | CCSA-TSD-TDD-36.424 | 9.0.1 | Published | Jun 12 | http://www.ccsa.org.cn/english/tc/files.php?docpath=/ITU-R/M.1457/M.1457-12/TDD |
| ETSI | ETSI TS 136 424 | 9.0.1 | Published | May 11 | http://www.etsi.org/deliver/etsi_ts/136400_136499/136424/09.00.01_60/ |
| TTC | TS-3GA-36.424(Rel9)v9.0.0 | 9.0.0 | Approved | Apr 11 | http://www.ttc.or.jp/j/document_list/free/3gpps2011/TS/TS-3GA-36.424(Rel9)v9.0.0.pdf |
| Release 10 | | | | | |
| ATIS | ATIS.3GPP.36.424V1010-2011 | 10.1.0 | Approved | Jul 11 | https://www.atis.org/docstore/default.aspx |
| CCSA | CCSA-TSD-TDD-36.424 | 10.1.0 | Published | Jun 12 | http://www.ccsa.org.cn/english/tc/files.php?docpath=/ITU-R/M.1457/M.1457-12/TDD |
| ETSI | ETSI TS 136 424 | 10.1.0 | Published | Jun 11 | http://www.etsi.org/deliver/etsi_ts/136400_136499/136424/10.01.00_60/ |
| TTC | TS-3GA-36.424(Rel10)v10.1.0 | 10.1.0 | Approved | Aug 11 | http://www.ttc.or.jp/j/document_list/free/3gpps2011/TS/TS-3GA-36.424(Rel10)v10.1.0.pdf |
| Release 11 | | | | | |
| ATIS | ATIS.3GPP.36.424V1100-2013 | 11.0.0 | Approved | Jun 13 | https://www.atis.org/docstore/default.aspx |
| CCSA | CCSA-TSD-TDD-36.424 | 11.0.0 | Published | Jun 14 | http://www.ccsa.org.cn/english/tc/files.php?docpath=/ITU-R/M.1457/M.1457-12/TDD |
| ETSI | ETSI TS 136 424 | 11.0.0 | Published | Oct 12 | http://www.etsi.org/deliver/etsi_ts/136400_136499/136424/11.00.00_60/ |
| TTC | TS-3GA-36.424(Rel11)v11.0.0 | 11.0.0 | Approved | Jun 13 | http://www.ttc.or.jp/j/document_list/free/3gpps2013/TS/TS-3GA-36.424(Rel11)v11.0.0.pdf |

5.3.2.8.12 TS 36.440

Evolved Universal Terrestrial Radio Access Network (E-UTRAN); General aspects and principles for interfaces supporting Multimedia Broadcast Multicast Service (MBMS) within E-UTRAN

This document describes the overall architecture of the interface for the provision of MBMS in the E-UTRAN. This includes also a description of the general aspects, assumptions and principles guiding the architecture and interface. The MBMS functions to be provided within that architecture are summarized. It provides an introduction to the TSG RAN TS 36.44x series of UMTS technical specifications that define the different interfaces introduced for MBMS provision in E-UTRAN.

| SDO (2) | Document No. | Version | Status | Issued date | Location (1) |
|-------------------|-----------------------------|---------|-----------|-------------|---|
| Release 9 | | | | | |
| CCSA | CCSA-TSD-TDD-36.440 | 9.1.1 | Published | Jun 12 | http://www.ccsa.org.cn/english/tc/files.php?docpath=/ITU-R/M.1457/M.1457-12/TDD |
| ETSI | ETSI TS 136 440 | 9.1.1 | Published | May 11 | http://www.etsi.org/deliver/etsi_ts/136400_136499/136440/09.01.01_60/ |
| TTC | TS-3GA-36.440(Rel9)v9.1.0 | 9.1.0 | Approved | Apr 11 | http://www.ttc.or.jp/j/document_list/free/3gpps2011/TS/TS-3GA-36.440(Rel9)v9.1.0.pdf |
| Release 10 | | | | | |
| ATIS | ATIS.3GPP.36.440V1030-2013 | 10.3.0 | Approved | Jun 13 | https://www.atis.org/docstore/default.aspx |
| CCSA | CCSA-TSD-TDD-36.440 | 10.2.0 | Published | Jun 12 | http://www.ccsa.org.cn/english/tc/files.php?docpath=/ITU-R/M.1457/M.1457-12/TDD |
| ETSI | ETSI TS 136 440 | 10.3.0 | Published | Jul 12 | http://www.etsi.org/deliver/etsi_ts/136400_136499/136440/10.03.00_60/ |
| TTC | TS-3GA-36.440(Rel10)v10.3.0 | 10.3.0 | Approved | Sep 12 | http://www.ttc.or.jp/j/document_list/free/3gpps2011/TS/TS-3GA-36.440(Rel10)v10.2.0.pdf |
| Release 11 | | | | | |
| ATIS | ATIS.3GPP.36.440V1120-2013 | 11.2.0 | Approved | Jun 13 | https://www.atis.org/docstore/default.aspx |
| CCSA | CCSA-TSD-TDD-36.440 | 11.2.0 | Published | Jun 14 | http://www.ccsa.org.cn/english/tc/files.php?docpath=/ITU-R/M.1457/M.1457-12/TDD |
| ETSI | ETSI TS 136 440 | 11.2.0 | Published | Apr 13 | http://www.etsi.org/deliver/etsi_ts/136400_136499/136440/11.02.00_60/ |
| TTC | TS-3GA-36.440(Rel11)v11.2.0 | 11.2.0 | Approved | Jun 13 | http://www.ttc.or.jp/j/document_list/free/3gpps2013/TS/TS-3GA-36.440(Rel11)v11.2.0.pdf |

5.3.2.8.13 TS 36.441**Evolved Universal Terrestrial Radio Access Network (E-UTRAN); Layer 1 for interfaces supporting Multimedia Broadcast Multicast Service (MBMS) within E-UTRAN**

This document specifies the standards allowed to implement layer 1 on the interfaces supporting Multimedia Broadcast Multicast Service (MBMS) within E-UTRAN. In the following, “layer 1” and “physical layer” are assumed to be synonymous.

| SDO (2) | Document No. | Version | Status | Issued date | Location (1) |
|-------------------|-----------------------------|---------|-----------|-------------|---|
| Release 9 | | | | | |
| CCSA | CCSA-TSD-TDD-36.441 | 9.0.0 | Published | Jun 12 | http://www.ccsa.org.cn/english/tc/files.php?docpath=/ITU-R/M.1457/M.1457-12/TDD |
| ETSI | ETSI TS 136 441 | 9.0.0 | Published | Feb 10 | http://www.etsi.org/deliver/etsi_ts/136400_136499/136441/09.00.00_60/ |
| TTC | TS-3GA-36.441(Rel9)v9.0.0 | 9.0.0 | Approved | Apr 11 | http://www.ttc.or.jp/j/document_list/free/3gpps2011/TS/TS-3GA-36.441(Rel9)v9.0.0.pdf |
| Release 10 | | | | | |
| ATIS | ATIS.3GPP.36.441V1010-2011 | 10.1.0 | Approved | Jul 11 | https://www.atis.org/docstore/default.aspx |
| CCSA | CCSA-TSD-TDD-36.441 | 10.1.0 | Published | Jun 12 | http://www.ccsa.org.cn/english/tc/files.php?docpath=/ITU-R/M.1457/M.1457-12/TDD |
| ETSI | ETSI TS 136 441 | 10.1.0 | Published | Jun 11 | http://www.etsi.org/deliver/etsi_ts/136400_136499/136441/10.01.00_60/ |
| TTC | TS-3GA-36.441(Rel10)v10.1.0 | 10.1.0 | Approved | Aug 11 | http://www.ttc.or.jp/j/document_list/free/3gpps2011/TS/TS-3GA-36.441(Rel10)v10.1.0.pdf |
| Release 11 | | | | | |
| ATIS | ATIS.3GPP.36.441V1100-2013 | 11.0.0 | Approved | Jun 13 | https://www.atis.org/docstore/default.aspx |
| CCSA | CCSA-TSD-TDD-36.441 | 11.0.0 | Published | Jun 14 | http://www.ccsa.org.cn/english/tc/files.php?docpath=/ITU-R/M.1457/M.1457-12/TDD |
| ETSI | ETSI TS 136 441 | 11.0.0 | Published | Oct 12 | http://www.etsi.org/deliver/etsi_ts/136400_136499/136441/11.00.00_60/ |
| TTC | TS-3GA-36.441(Rel11)v11.0.0 | 11.0.0 | Approved | Jun 13 | http://www.ttc.or.jp/j/document_list/free/3gpps2013/TS/TS-3GA-36.441(Rel11)v11.0.0.pdf |

5.3.2.8.14 TS 36.442**Evolved Universal Terrestrial Radio Access Network (E-UTRAN); Signalling Transport for interfaces supporting Multimedia Broadcast Multicast Service (MBMS) within E-UTRAN**

This document specifies the standards for signalling transport to be used across M2 and M3 interfaces. M2 interface is a logical interface between the eNodeB and the MCE. M3 interface is a logical interface between the MCE and the MME. This document describes how the M2-AP signalling messages are transported over M2, and how the M3-AP signalling messages are transported over M3.

| SDO (2) | Document No. | Version | Status | Issued date | Location (1) |
|-------------------|-----------------------------|---------|-----------|-------------|---|
| Release 9 | | | | | |
| CCSA | CCSA-TSD-TDD-36.442 | 9.1.1 | Published | Jun 12 | http://www.ccsa.org.cn/english/tc/files.php?docpath=/ITU-R/M.1457/M.1457-12/TDD |
| ETSI | ETSI TS 136 442 | 9.1.1 | Published | May 11 | http://www.etsi.org/deliver/etsi_ts/136400_136499/136442/09.01.01_60/ |
| TTC | TS-3GA-36.442(Rel9)v9.1.0 | 9.1.0 | Approved | Apr 11 | http://www.ttc.or.jp/j/document_list/free/3gpps2011/TS/TS-3GA-36.442(Rel9)v9.1.0.pdf |
| Release 10 | | | | | |
| ATIS | ATIS.3GPP.36.442V1020-2013 | 10.2.0 | Approved | Jun 13 | https://www.atis.org/docstore/default.aspx |
| CCSA | CCSA-TSD-TDD-36.442 | 10.2.0 | Published | Jun 12 | http://www.ccsa.org.cn/english/tc/files.php?docpath=/ITU-R/M.1457/M.1457-12/TDD |
| ETSI | ETSI TS 136 442 | 10.2.0 | Published | Oct 11 | http://www.etsi.org/deliver/etsi_ts/136400_136499/136442/10.02.00_60/ |
| TTC | TS-3GA-36.442(Rel10)v10.2.0 | 10.2.0 | Approved | Dec 11 | http://www.ttc.or.jp/j/document_list/free/3gpps2011/TS/TS-3GA-36.442(Rel10)v10.2.0.pdf |
| Release 11 | | | | | |

| | | | | | |
|------|-----------------------------|--------|-----------|--------|---|
| ATIS | ATIS.3GPP.36.442V1100-2013 | 11.0.0 | Approved | Jun 13 | https://www.atis.org/docstore/default.aspx |
| CCSA | CCSA-TSD-TDD-36.442 | 11.0.0 | Published | Jun 14 | http://www.ccsa.org.cn/english/tc/files.php?docpath=/ITU-R/M.1457/M.1457-12/TDD |
| ETSI | ETSI TS 136 442 | 11.0.0 | Published | Oct 12 | http://www.etsi.org/deliver/etsi_ts/136400_136499/136442/11.00.00_60/ |
| TTC | TS-3GA-36.442(Rel11)v11.0.0 | 11.0.0 | Approved | Jun 13 | http://www.ttc.or.jp/j/document_list/free/3gpps2013/TS/TS-3GA-36.442(Rel11)v11.0.0.pdf |

5.3.2.8.15 TS 36.443

Evolved Universal Terrestrial Radio Access Network (E-UTRAN); M2 Application Protocol (M2AP)

This document specifies the E-UTRAN radio network layer signalling protocol for the M2 interface. The M2 Application Protocol (M2AP) supports the functions of M2 interface by signalling procedures defined in this document.

| SDO (2) | Document No. | Version | Status | Issued date | Location (1) |
|-------------------|-----------------------------|---------|-----------|-------------|---|
| Release 9 | | | | | |
| CCSA | CCSA-TSD-TDD-36.443 | 9.3.0 | Published | Jun 12 | http://www.ccsa.org.cn/english/tc/files.php?docpath=/ITU-R/M.1457/M.1457-12/TDD |
| ETSI | ETSI TS 136 443 | 9.3.0 | Published | Apr 11 | http://www.etsi.org/deliver/etsi_ts/136400_136499/136443/09.03.00_60/ |
| TTC | TS-3GA-36.443(Rel9)v9.3.0 | 9.3.0 | Approved | Jun 11 | http://www.ttc.or.jp/j/document_list/free/3gpps2011/TS/TS-3GA-36.443(Rel9)v9.3.0.pdf |
| Release 10 | | | | | |
| ATIS | ATIS.3GPP.36.443V1050-2013 | 10.5.0 | Approved | Jun 13 | https://www.atis.org/docstore/default.aspx |
| CCSA | CCSA-TSD-TDD-36.443 | 10.4.0 | Published | Jun 12 | http://www.ccsa.org.cn/english/tc/files.php?docpath=/ITU-R/M.1457/M.1457-12/TDD |
| ETSI | ETSI TS 136 443 | 10.5.0 | Published | Mar 12 | http://www.etsi.org/deliver/etsi_ts/136400_136499/136443/10.05.00_60/ |
| TTC | TS-3GA-36.443(Rel10)v10.5.0 | 10.5.0 | Approved | Jun 12 | http://www.ttc.or.jp/j/document_list/free/3gpps2012/TS/TS-3GA-36.443(Rel10)v10.5.0.pdf |
| Release 11 | | | | | |
| ATIS | ATIS.3GPP.36.443V1120-2013 | 11.2.0 | Approved | Jun 13 | https://www.atis.org/docstore/default.aspx |
| CCSA | CCSA-TSD-TDD-36.443 | 11.3.0 | Published | Jun 14 | http://www.ccsa.org.cn/english/tc/files.php?docpath=/ITU-R/M.1457/M.1457-12/TDD |
| ETSI | ETSI TS 136 443 | 11.2.0 | Published | Apr 13 | http://www.etsi.org/deliver/etsi_ts/136400_136499/136443/11.02.00_60/ |
| TTC | TS-3GA-36.443(Rel11)v11.2.0 | 11.2.0 | Approved | Jun 13 | http://www.ttc.or.jp/j/document_list/free/3gpps2013/TS/TS-3GA-36.443(Rel11)v11.2.0.pdf |

5.3.2.8.16 TS 36.444

Evolved Universal Terrestrial Radio Access Network (E-UTRAN); M3 Application Protocol (M3AP)

This document specifies the E-UTRAN radio network layer signalling protocol for the M3 interface. The M3 Application Protocol (M3AP) supports the functions of M3 interface by signalling procedures defined in this document.

| SDO (2) | Document No. | Version | Status | Issued date | Location (1) |
|-------------------|----------------------------|---------|-----------|-------------|---|
| Release 9 | | | | | |
| CCSA | CCSA-TSD-TDD-36.444 | 9.4.0 | Published | Jun 12 | http://www.ccsa.org.cn/english/tc/files.php?docpath=/ITU-R/M.1457/M.1457-12/TDD |
| ETSI | ETSI TS 136 444 | 9.4.0 | Published | Apr 11 | http://www.etsi.org/deliver/etsi_ts/136400_136499/136444/09.04.00_60/ |
| TTC | TS-3GA-36.444(Rel9)v9.4.0 | 9.4.0 | Approved | Jun 11 | http://www.ttc.or.jp/j/document_list/free/3gpps2011/TS/TS-3GA-36.444(Rel9)v9.4.0.pdf |
| Release 10 | | | | | |
| ATIS | ATIS.3GPP.36.444V1040-2013 | 10.4.0 | Approved | Jun 13 | https://www.atis.org/docstore/default.aspx |
| CCSA | CCSA-TSD-TDD-36.444 | 10.3.0 | Published | Jun 12 | http://www.ccsa.org.cn/english/tc/files.php?docpath=/ITU-R/M.1457/M.1457-12/TDD |

| | | | | | |
|-------------------|-----------------------------|--------|-----------|--------|---|
| ETSI | ETSI TS 136 444 | 10.4.0 | Published | Jan 13 | http://www.etsi.org/deliver/etsi_ts/136400_136499/136444/10.04.00_60/ |
| TTC | TS-3GA-36.444(Rel10)v10.4.0 | 10.4.0 | Approved | Jun 13 | http://www.ttc.or.jp/j/document_list/free/3gpps2013/TS/TS-3GA-36.444(Rel10)v10.4.0.pdf |
| Release 11 | | | | | |
| ATIS | ATIS.3GPP.36.444V1150-2013 | 11.5.0 | Approved | Jun 13 | https://www.atis.org/docstore/default.aspx |
| CCSA | CCSA-TSD-TDD-36.444 | 11.6.0 | Published | Jun 14 | http://www.ccsa.org.cn/english/tc/files.php?docpath=/ITU-R/M.1457/M.1457-12/TDD |
| ETSI | ETSI TS 136 444 | 11.5.0 | Published | Apr 13 | http://www.etsi.org/deliver/etsi_ts/136400_136499/136444/11.05.00_60/ |
| TTC | TS-3GA-36.444(Rel11)v11.5.0 | 11.5.0 | Approved | Jun 13 | http://www.ttc.or.jp/j/document_list/free/3gpps2013/TS/TS-3GA-36.444(Rel11)v11.5.0.pdf |

5.3.2.8.17 TS 36.445

Evolved Universal Terrestrial Radio Access (E-UTRA); LTE Positioning Protocol A (LPPa)

This document specifies the control plane radio network layer signalling procedures between eNodeB and E-SMLC. LPPa supports the concerned functions by signalling procedures defined in this document.

| SDO (2) | Document No. | Version | Status | Issued date | Location (1) |
|-------------------|-----------------------------|---------|-----------|-------------|---|
| Release 9 | | | | | |
| CCSA | CCSA-TSD-TDD-36.445 | 9.2.1 | Published | Jun 12 | http://www.ccsa.org.cn/english/tc/files.php?docpath=/ITU-R/M.1457/M.1457-12/TDD |
| ETSI | ETSI TS 136 445 | 9.2.1 | Published | May 11 | http://www.etsi.org/deliver/etsi_ts/136400_136499/136445/09.02.01_60/ |
| TTC | TS-3GA-36.445(Rel9)v9.2.0 | 9.2.0 | Approved | Apr 11 | http://www.ttc.or.jp/j/document_list/free/3gpps2011/TS/TS-3GA-36.445(Rel9)v9.2.0.pdf |
| Release 10 | | | | | |
| ATIS | ATIS.3GPP.36.445V1010-2011 | 10.1.0 | Approved | Jul 11 | https://www.atis.org/docstore/default.aspx |
| CCSA | CCSA-TSD-TDD-36.445 | 10.1.0 | Published | Jun 12 | http://www.ccsa.org.cn/english/tc/files.php?docpath=/ITU-R/M.1457/M.1457-12/TDD |
| ETSI | ETSI TS 136 445 | 10.1.0 | Published | Jun 11 | http://www.etsi.org/deliver/etsi_ts/136400_136499/136445/10.01.00_60/ |
| TTC | TS-3GA-36.445(Rel10)v10.1.0 | 10.1.0 | Approved | Aug 11 | http://www.ttc.or.jp/j/document_list/free/3gpps2011/TS/TS-3GA-36.445(Rel10)v10.1.0.pdf |
| Release 11 | | | | | |
| ATIS | ATIS.3GPP.36.445V1100-2013 | 11.0.0 | Approved | Jun 13 | https://www.atis.org/docstore/default.aspx |
| CCSA | CCSA-TSD-TDD-36.445 | 11.0.0 | Published | Jun 14 | http://www.ccsa.org.cn/english/tc/files.php?docpath=/ITU-R/M.1457/M.1457-12/TDD |
| ETSI | ETSI TS 136 445 | 11.0.0 | Published | Oct 12 | http://www.etsi.org/deliver/etsi_ts/136400_136499/136445/11.00.00_60/ |
| TTC | TS-3GA-36.445(Rel11)v11.0.0 | 11.0.0 | Approved | Jun 13 | http://www.ttc.or.jp/j/document_list/free/3gpps2013/TS/TS-3GA-36.445(Rel11)v11.0.0.pdf |

5.3.2.8.18 TS 36.455

Evolved Universal Terrestrial Radio Access (E-UTRA); LTE Positioning Protocol A (LPPa)

This document specifies the control plane radio network layer signalling procedures between eNodeB and E-SMLC. LPPa supports the concerned functions by signalling procedures defined in this document.

| SDO (2) | Document No. | Version | Status | Issued date | Location (1) |
|-------------------|---------------------------|---------|-----------|-------------|---|
| Release 9 | | | | | |
| CCSA | CCSA-TSD-TDD-36.455 | 9.4.1 | Published | Jun 12 | http://www.ccsa.org.cn/english/tc/files.php?docpath=/ITU-R/M.1457/M.1457-12/TDD |
| ETSI | ETSI TS 136 455 | 9.4.1 | Published | May 11 | http://www.etsi.org/deliver/etsi_ts/136400_136499/136455/09.04.01_60/ |
| TTC | TS-3GA-36.455(Rel9)v9.4.0 | 9.4.0 | Approved | Apr 11 | http://www.ttc.or.jp/j/document_list/free/3gpps2011/TS/TS-3GA-36.455(Rel9)v9.4.0.pdf |
| Release 10 | | | | | |

| | | | | | |
|------|-----------------------------|--------|-----------|--------|---|
| ATIS | ATIS.3GPP.36.455V1040-2013 | 10.4.0 | Approved | Jun 13 | https://www.atis.org/docstore/default.aspx |
| CCSA | CCSA-TSD-TDD-36.455 | 10.2.0 | Published | Jun 12 | http://www.ccsa.org.cn/english/tc/files.php?docpath=/ITU-R/M.1457/M.1457-12/TDD |
| ETSI | ETSI TS 136 455 | 10.4.0 | Published | Oct 12 | http://www.etsi.org/deliver/etsi_ts/136400_136499/136455/10.04.00_60/ |
| TTC | TS-3GA-36.455(Rel10)v10.4.0 | 10.4.0 | Approved | Dec 12 | http://www.ttc.or.jp/j/document_list/free/3gpps2012/TS/TS-3GA-36.455(Rel10)v10.4.0.pdf |

Release 11

| | | | | | |
|------|-----------------------------|--------|-----------|--------|---|
| ATIS | ATIS.3GPP.36.455V1120-2013 | 11.2.0 | Approved | Jun 13 | https://www.atis.org/docstore/default.aspx |
| CCSA | CCSA-TSD-TDD-36.455 | 11.3.0 | Published | Jun 14 | http://www.ccsa.org.cn/english/tc/files.php?docpath=/ITU-R/M.1457/M.1457-12/TDD |
| ETSI | ETSI TS 136 455 | 11.2.0 | Published | Apr 13 | http://www.etsi.org/deliver/etsi_ts/136400_136499/136455/11.02.00_60/ |
| TTC | TS-3GA-36.455(Rel11)v11.2.0 | 11.2.0 | Approved | Jun 13 | http://www.ttc.or.jp/jp/document_list/free/3gpps2013/TS/TS-3GA-36.455(Rel11)v11.2.0.pdf |

5.3.2.8.19 TS 36.456**SLm interface general aspects and principles**

This document is an introduction to the 3GPP TS 36.45x series of technical specifications that define the SLm interface for the interconnection of the Evolved Serving Mobile Location Centre (E-SMLC) to the Location Measurement Unit (LMU) components of the Evolved Universal Terrestrial Radio Access Network (E-UTRAN).

| SDO (2) | Document No. | Version | Status | Issued date | Location (1) |
|-------------------|-----------------------------|---------|-----------|-------------|---|
| Release 11 | | | | | |
| ATIS | ATIS.3GPP.36.456V1100-2013 | 11.0.0 | Approved | Jun 13 | https://www.atis.org/docstore/default.aspx |
| CCSA | CCSA-TSD-TDD-36.456 | 11.0.0 | Published | Jun 14 | http://www.ccsa.org.cn/english/tc/files.php?docpath=/ITU-R/M.1457/M.1457-12/TDD |
| ETSI | ETSI TS 136 456 | 11.0.0 | Published | Feb 13 | http://www.etsi.org/deliver/etsi_ts/136400_136499/136456/11.00.00_60/ |
| TTC | TS-3GA-36.456(Rel11)v11.0.0 | 11.0.0 | Approved | Jun 13 | http://www.ttc.or.jp/j/document_list/free/3gpps2013/TS/TS-3GA-36.456(Rel11)v11.0.0.pdf |

5.3.2.8.20 TS 36.457**SLm interface layer 1**

This document specifies the standards allowed to implement layer 1 on the SLm interface.

| SDO (2) | Document No. | Version | Status | Issued date | Location (1) |
|-------------------|-----------------------------|---------|-----------|-------------|---|
| Release 11 | | | | | |
| ATIS | ATIS.3GPP.36.457V1100-2013 | 11.0.0 | Approved | Jun 13 | https://www.atis.org/docstore/default.aspx |
| CCSA | CCSA-TSD-TDD-36.457 | 11.0.0 | Published | Jun 14 | http://www.ccsa.org.cn/english/tc/files.php?docpath=/ITU-R/M.1457/M.1457-12/TDD |
| ETSI | ETSI TS 136 457 | 11.0.0 | Published | Feb 13 | http://www.etsi.org/deliver/etsi_ts/136400_136499/136457/11.00.00_60/ |
| TTC | TS-3GA-36.457(Rel11)v11.0.0 | 11.0.0 | Approved | Jun 13 | http://www.ttc.or.jp/j/document_list/free/3gpps2013/TS/TS-3GA-36.457(Rel11)v11.0.0.pdf |

5.3.2.8.21 TS 36.458**SLm interface signalling transport**

This document specifies the standards for signalling transport to be used across the SLM interface. The SLM interface is a logical interface between the LMU and the E-SMLC in the E-UTRAN core network. This document describes how the SLMAP signalling messages are transported over SLM.

| SDO (2) | Document No. | Version | Status | Issued date | Location (1) |
|-------------------|-----------------------------|---------|-----------|-------------|---|
| Release 11 | | | | | |
| ATIS | ATIS.3GPP.36.458V1100-2013 | 11.0.0 | Approved | Jun 13 | https://www.atis.org/docstore/default.aspx |
| CCSA | CCSA-TSD-TDD-36.458 | 11.0.0 | Published | Jun 14 | http://www.ccsa.org.cn/english/tc/files.php?docpath=/ITU-R/M.1457/M.1457-12/TDD |
| ETSI | ETSI TS 136 458 | 11.0.0 | Published | Feb 13 | http://www.etsi.org/deliver/etsi_ts/136400_136499/136458/11.00.00_60/ |
| TTC | TS-3GA-36.458(Rel11)v11.0.0 | 11.0.0 | Approved | Jun 13 | http://www.ttc.or.jp/j/document_list/free/3gpps2013/TS/TS-3GA-36.458(Rel11)v11.0.0.pdf |

5.3.2.8.22 TS 36.459

SLM interface Application Protocol (SLMAP)

This document specifies the E-UTRAN radio network layer signalling protocol for the SLM interface. The SLM Application Protocol (SLMAP) supports the functions of the SLM interface by signalling procedures defined in this document.

| SDO (2) | Document No. | Version | Status | Issued date | Location (1) |
|-------------------|-----------------------------|---------|-----------|-------------|---|
| Release 11 | | | | | |
| ATIS | ATIS.3GPP.36.459V1110-2013 | 11.1.0 | Approved | Jun 13 | https://www.atis.org/docstore/default.aspx |
| CCSA | CCSA-TSD-TDD-36.459 | 11.3.0 | Published | Jun 14 | http://www.ccsa.org.cn/english/tc/files.php?docpath=/ITU-R/M.1457/M.1457-12/TDD |
| ETSI | ETSI TS 136 459 | 11.1.0 | Published | Apr 13 | http://www.etsi.org/deliver/etsi_ts/136400_136499/136459/11.01.00_60/ |
| TTC | TS-3GA-36.459(Rel11)v11.1.0 | 11.1.0 | Approved | Jun 13 | http://www.ttc.or.jp/jp/document_list/free/3gpps2013/TS/TS-3GA-36.459(Rel11)v11.1.0.pdf |

5.3.2.9 36.100 series

5.3.2.9.1 TS 36.101

Evolved Universal Terrestrial Radio Access (E-UTRA); User Equipment (UE) radio transmission and reception

This specification describes the User Equipment (UE) minimum RF characteristics of E-UTRA for both FDD and TDD modes.

| SDO (2) | Document No. | Version | Status | Issued date | Location (1) |
|-------------------|----------------------------|---------|-----------|-------------|---|
| Release 8 | | | | | |
| ARIB | ARIB STD-T63-36.101 | 8.21.0 | Approved | Jul 13 | http://www.arib.or.jp/english/html/overview/doc/STD-T63v10_00/2_T63/ARIB-STD-T63/Rel8/36/A36101-810.pdf |
| ATIS | ATIS.3GPP.36.101V8210-2014 | 8.21.0 | Approved | May 14 | https://www.atis.org/docstore/default.aspx |
| CCSA | CCSA-TSD-TDD-36.101 | 8.16.0 | Published | Jun 12 | http://www.ccsa.org.cn/english/tc/files.php?docpath=/ITU-R/M.1457/M.1457-12/TDD |
| ETSI | ETSI TS 136 101 | 8.21.0 | Published | Apr 13 | http://www.etsi.org/deliver/etsi_ts/136100_136199/136101/08.21.00_60/ |
| Release 9 | | | | | |
| ARIB | ARIB STD-T63-36.101 | 9.15.0 | Approved | Jul 13 | http://www.arib.or.jp/english/html/overview/doc/STD-T63v10_00/2_T63/ARIB-STD-T63/Rel9/36/A36101-9f0.pdf |
| ATIS | ATIS.3GPP.36.101V9150-2014 | 9.15.0 | Approved | May 14 | https://www.atis.org/docstore/default.aspx |
| CCSA | CCSA-TSD-TDD-36.101 | 9.10.0 | Published | Jun 12 | http://www.ccsa.org.cn/english/tc/files.php?docpath=/ITU-R/M.1457/M.1457-12/TDD |
| ETSI | ETSI TS 136 101 | 9.15.0 | Published | Apr 13 | http://www.etsi.org/deliver/etsi_ts/136100_136199/136101/09.15.00_60/ |
| Release 10 | | | | | |

| | | | | | |
|-------------------|----------------------------|---------|-----------|--------|---|
| ATIS | ATIS.3GPP.36.101V10100- | 10.10.0 | Approved | Jun 13 | https://www.atis.org/docstore/default.aspx |
| CCSA | CCSA-TSD-TDD-36.101 | 10.5.0 | Published | Jun 12 | http://www.ccsa.org.cn/english/tc/files.php?docpath=/ITU-R/M.1457/M.1457-12/TDD |
| ETSI | ETSI TS 136 101 | 10.10.0 | Published | Apr 13 | http://www.etsi.org/deliver/etsi_ts/136100_136199/136101/10.10.00_60/ |
| Release 11 | | | | | |
| ATIS | ATIS.3GPP.36.101V1140-2013 | 11.4.0 | Approved | Jun 13 | https://www.atis.org/docstore/default.aspx |
| CCSA | CCSA-TSD-TDD-36.101 | 11.8.0 | Published | Jun 14 | http://www.ccsa.org.cn/english/tc/files.php?docpath=/ITU-R/M.1457/M.1457-12/TDD |
| ETSI | ETSI TS 136 101 | 11.4.0 | Published | Apr 13 | http://www.etsi.org/deliver/etsi_ts/136100_136199/136101/11.04.00_60/ |

5.3.2.9.2 TS 36.104

Evolved Universal Terrestrial Radio Access (E-UTRA); Base Station (BS) radio transmission and reception

This specification describes the Base Station minimum RF characteristics of E-UTRA in paired and unpaired bands.

| SDO (2) | Document No. | Version | Status | Issued date | Location (1) |
|-------------------|----------------------------|---------|-----------|-------------|---|
| Release 8 | | | | | |
| ARIB | ARIB STD-T63-36.104 | 8.13.0 | Approved | Jul 13 | http://www.arib.or.jp/english/html/overview/doc/STD-T63v10_40/2_T63/ARIB-STD-T63/Rel8/36/A36104-8d0.pdf |
| ATIS | ATIS.3GPP.36.104V8130-2014 | 8.13.0 | Approved | May 14 | https://www.atis.org/docstore/default.aspx |
| CCSA | CCSA-TSD-TDD-36.104 | 8.12.0 | Published | Jun 12 | http://www.ccsa.org.cn/english/tc/files.php?docpath=/ITU-R/M.1457/M.1457-12/TDD |
| ETSI | ETSI TS 136 104 | 8.13.0 | Published | Jul 12 | http://www.etsi.org/deliver/etsi_ts/136100_136199/136104/08.13.00_60/ |
| Release 9 | | | | | |
| ARIB | ARIB STD-T63-36.104 | 9.13.0 | Approved | Jul 13 | http://www.arib.or.jp/english/html/overview/doc/STD-T63v10_00/2_T63/ARIB-STD-T63/Rel9/36/A36104-9d0.pdf |
| ATIS | ATIS.3GPP.36.104V9130-2014 | 9.13.0 | Approved | May 14 | https://www.atis.org/docstore/default.aspx |
| CCSA | CCSA-TSD-TDD-36.104 | 9.10.0 | Published | Jun 12 | http://www.ccsa.org.cn/english/tc/files.php?docpath=/ITU-R/M.1457/M.1457-12/TDD |
| ETSI | ETSI TS 136 104 | 9.13.0 | Published | Nov 12 | http://www.etsi.org/deliver/etsi_ts/136100_136199/136104/09.13.00_60/ |
| Release 10 | | | | | |
| ATIS | ATIS.3GPP.36.104V10100- | 10.10.0 | Approved | Jun 13 | https://www.atis.org/docstore/default.aspx |
| CCSA | CCSA-TSD-TDD-36.104 | 10.5.0 | Published | Jun 12 | http://www.ccsa.org.cn/english/tc/files.php?docpath=/ITU-R/M.1457/M.1457-12/TDD |
| ETSI | ETSI TS 136 104 | 10.10.0 | Published | Apr 13 | http://www.etsi.org/deliver/etsi_ts/136100_136199/136104/10.10.00_60/ |
| Release 11 | | | | | |
| ATIS | ATIS.3GPP.36.104V1140-2013 | 11.4.0 | Approved | Jun 13 | https://www.atis.org/docstore/default.aspx |
| CCSA | CCSA-TSD-TDD-36.104 | 11.8.2 | Published | Jun 14 | http://www.ccsa.org.cn/english/tc/files.php?docpath=/ITU-R/M.1457/M.1457-12/TDD |
| ETSI | ETSI TS 136 104 | 11.4.0 | Published | Apr 13 | http://www.etsi.org/deliver/etsi_ts/136100_136199/136104/11.04.00_60/ |

5.3.2.9.3 TS 36.113

Evolved Universal Terrestrial Radio Access (E-UTRA); Base Station (BS) and repeater ElectroMagnetic Compatibility (EMC)

This document covers the assessment of E-UTRA base stations, repeaters and associated ancillary equipment in respect of Electromagnetic Compatibility (EMC).

| SDO (2) | Document No. | Version | Status | Issued date | Location (1) |
|------------------|---------------------|---------|----------|-------------|---|
| Release 8 | | | | | |
| ARIB | ARIB STD-T63-36.113 | 8.3.0 | Approved | Jul 13 | http://www.arib.or.jp/english/html/overview/doc/STD-T63v10_00/2_T63/ARIB-STD-T63/Rel8/36/A36113-830.pdf |

| | | | | | |
|-------------------|----------------------------|--------|-----------|--------|---|
| ATIS | ATIS.3GPP.36.113V830-2012 | 8.3.0 | Approved | Jul 12 | https://www.atis.org/docstore/default.aspx |
| CCSA | CCSA-TSD-TDD-36.113 | 8.3.0 | Published | Jun 12 | http://www.ccsa.org.cn/english/tc/files.php?docpath=/ITU-R/M.1457/M.1457-12/TDD |
| ETSI | ETSI TS 136 113 | 8.3.0 | Published | Jan 11 | http://www.etsi.org/deliver/etsi_ts/136100_136199/136113/08.03.00_60/ |
| Release 9 | | | | | |
| ARIB | ARIB STD-T63-36.113 | 9.5.0 | Approved | Jul 13 | http://www.arib.or.jp/english/html/overview/doc/STD-T63v10_00/2_T63/ARIB-STD-T63/Rel9/36/A36113-950.pdf |
| ATIS | ATIS.3GPP.36.113V950-2014 | 9.5.0 | Approved | May 14 | https://www.atis.org/docstore/default.aspx |
| CCSA | CCSA-TSD-TDD-36.113 | 9.4.0 | Published | Jun 12 | http://www.ccsa.org.cn/english/tc/files.php?docpath=/ITU-R/M.1457/M.1457-12/TDD |
| ETSI | ETSI TS 136 113 | 9.5.0 | Published | Jul 12 | http://www.etsi.org/deliver/etsi_ts/136100_136199/136113/09.05.00_60/ |
| Release 10 | | | | | |
| ATIS | ATIS.3GPP.36.113V1050-2013 | 10.5.0 | Approved | Jun 13 | https://www.atis.org/docstore/default.aspx |
| CCSA | CCSA-TSD-TDD-36.113 | 10.4.0 | Published | Jun 12 | http://www.ccsa.org.cn/english/tc/files.php?docpath=/ITU-R/M.1457/M.1457-12/TDD |
| ETSI | ETSI TS 136 113 | 10.5.0 | Published | Jul 12 | http://www.etsi.org/deliver/etsi_ts/136100_136199/136113/10.05.00_60/ |
| Release 11 | | | | | |
| ATIS | ATIS.3GPP.36.113V1120-2013 | 11.2.0 | Approved | Jun 13 | https://www.atis.org/docstore/default.aspx |
| CCSA | CCSA-TSD-TDD-36.113 | 11.2.0 | Published | Jun 14 | http://www.ccsa.org.cn/english/tc/files.php?docpath=/ITU-R/M.1457/M.1457-12/TDD |
| ETSI | ETSI TS 136 113 | 11.2.0 | Published | Feb 13 | http://www.etsi.org/deliver/etsi_ts/136100_136199/136113/11.02.00_60/ |

5.3.2.9.4 TS 36.116

Evolved Universal Terrestrial Radio Access (E-UTRA); Relay radio transmission and reception

This document establishes the minimum RF characteristics and minimum performance requirements of E-UTRA Relay

| SDO (2) | Document No. | Version | Status | Issued date | Location (1) |
|-------------------|----------------------------|---------|-----------|-------------|---|
| Release 11 | | | | | |
| ATIS | ATIS.3GPP.36.116V1120-2013 | 11.2.0 | Approved | Jun 13 | https://www.atis.org/docstore/default.aspx |
| CCSA | CCSA-TSD-TDD-36.116 | 11.3.0 | Published | Jun 14 | http://www.ccsa.org.cn/english/tc/files.php?docpath=/ITU-R/M.1457/M.1457-12/TDD |
| ETSI | ETSI TS 136 116 | 11.2.0 | Published | Apr 13 | http://www.etsi.org/deliver/etsi_ts/136100_136199/136116/11.02.00_60/ |

5.3.2.9.5 TS 36.124

Evolved Universal Terrestrial Radio Access (E-UTRA); Electromagnetic compatibility (EMC) requirements for mobile terminals and ancillary equipment

This document establishes the essential EMC requirements for “3rd generation” digital cellular mobile terminal equipment and ancillary accessories in combination with a 3GPP E-UTRA user equipment (UE).

| SDO (2) | Document No. | Version | Status | Issued date | Location (1) |
|------------------|---------------------------|---------|-----------|-------------|---|
| Release 8 | | | | | |
| ARIB | ARIB STD-T63-36.124 | 8.2.0 | Approved | Jul 13 | http://www.arib.or.jp/english/html/overview/doc/STD-T63v10_00/2_T63/ARIB-STD-T63/Rel8/36/A36124-820.pdf |
| ATIS | ATIS.3GPP.36.124V820-2012 | 8.2.0 | Approved | Jul 12 | https://www.atis.org/docstore/default.aspx |
| CCSA | CCSA-TSD-TDD-36.124 | 8.2.0 | Published | Jun 12 | http://www.ccsa.org.cn/english/tc/files.php?docpath=/ITU-R/M.1457/M.1457-12/TDD |
| ETSI | ETSI TS 136 124 | 8.2.0 | Published | Jan 11 | http://www.etsi.org/deliver/etsi_ts/136100_136199/136124/08.02.00_60/ |
| Release 9 | | | | | |

| | | | | | |
|-------------------|----------------------------|--------|-----------|--------|---|
| ARIB | ARIB STD-T63-36.124 | 9.2.0 | Approved | Jul 13 | http://www.arib.or.jp/english/html/overview/doc/STD-T63v10_00/2_T63/ARIB-STD-T63/Rel9/36/A36124-920.pdf |
| ATIS | ATIS.3GPP.36.124V920-2012 | 9.2.0 | Approved | Jul 12 | https://www.atis.org/docstore/default.aspx |
| CCSA | CCSA-TSD-TDD-36.124 | 9.2.0 | Published | Jun 12 | http://www.ccsa.org.cn/english/tc/files.php?docpath=/ITU-R/M.1457/M.1457-12/TDD |
| ETSI | ETSI TS 136 124 | 9.2.0 | Published | Jan 11 | http://www.etsi.org/deliver/etsi_ts/136100_136199/136124/09.02.00_60/ |
| Release 10 | | | | | |
| ATIS | ATIS.3GPP.36.124V1030-2012 | 10.3.0 | Approved | Jul 12 | https://www.atis.org/docstore/default.aspx |
| CCSA | CCSA-TSD-TDD-36.124 | 10.3.0 | Published | Jun 12 | http://www.ccsa.org.cn/english/tc/files.php?docpath=/ITU-R/M.1457/M.1457-12/TDD |
| ETSI | ETSI TS 136 124 | 10.3.0 | Published | Nov 11 | http://www.etsi.org/deliver/etsi_ts/136100_136199/136124/10.03.00_60/ |
| Release 11 | | | | | |
| ATIS | ATIS.3GPP.36.124V1120-2013 | 11.2.0 | Approved | Jun 13 | https://www.atis.org/docstore/default.aspx |
| CCSA | CCSA-TSD-TDD-36.124 | 11.2.0 | Published | Jun 14 | http://www.ccsa.org.cn/english/tc/files.php?docpath=/ITU-R/M.1457/M.1457-12/TDD |
| ETSI | ETSI TS 136 124 | 11.2.0 | Published | Feb 13 | http://www.etsi.org/deliver/etsi_ts/136100_136199/136124/11.02.00_60/ |

5.3.2.9.6 TS 36.133

Evolved Universal Terrestrial Radio Access (E-UTRA); Requirements for support of radio resource management

This specification specifies requirements for support of Radio Resource Management for the FDD and TDD modes of Evolved UTRA. These requirements include requirements on measurements in UTRAN and the UE as well as requirements on node dynamical behaviour and interaction, in terms of delay and response characteristics.

| SDO (2) | Document No. | Version | Status | Issued date | Location (1) |
|-------------------|----------------------------|---------|-----------|-------------|---|
| Release 8 | | | | | |
| ARIB | ARIB STD-T63-36.133 | 8.21.0 | Approved | Jul 13 | http://www.arib.or.jp/english/html/overview/doc/STD-T63v10_00/2_T63/ARIB-STD-T63/Rel8/36/A36133-810.pdf |
| ATIS | ATIS.3GPP.36.133V8210-2014 | 8.21.0 | Approved | May 14 | https://www.atis.org/docstore/default.aspx |
| CCSA | CCSA-TSD-TDD-36.133 | 8.16.0 | Published | Jun 12 | http://www.ccsa.org.cn/english/tc/files.php?docpath=/ITU-R/M.1457/M.1457-12/TDD |
| ETSI | ETSI TS 136 133 | 8.21.0 | Published | Apr 13 | http://www.etsi.org/deliver/etsi_ts/136100_136199/136133/08.21.00_60/ |
| Release 9 | | | | | |
| ARIB | ARIB STD-T63-36.133 | 9.15.0 | Approved | Jul 13 | http://www.arib.or.jp/english/html/overview/doc/STD-T63v10_00/2_T63/ARIB-STD-T63/Rel9/36/A36133-9f0.pdf |
| ATIS | ATIS.3GPP.36.133V9150-2014 | 9.15.0 | Approved | May 14 | https://www.atis.org/docstore/default.aspx |
| CCSA | CCSA-TSD-TDD-36.133 | 9.10.0 | Published | Jun 12 | http://www.ccsa.org.cn/english/tc/files.php?docpath=/ITU-R/M.1457/M.1457-12/TDD |
| ETSI | ETSI TS 136 133 | 9.15.0 | Published | Apr 13 | http://www.etsi.org/deliver/etsi_ts/136100_136199/136133/09.15.00_60/ |
| Release 10 | | | | | |
| ATIS | ATIS.3GPP.36.133V10100- | 10.10.0 | Approved | Jun 13 | https://www.atis.org/docstore/default.aspx |
| CCSA | CCSA-TSD-TDD-36.133 | 10.5.0 | Published | Jun 12 | http://www.ccsa.org.cn/english/tc/files.php?docpath=/ITU-R/M.1457/M.1457-12/TDD |
| ETSI | ETSI TS 136 133 | 10.10.0 | Published | Apr 13 | http://www.etsi.org/deliver/etsi_ts/136100_136199/136133/10.10.00_60/ |
| Release 11 | | | | | |
| ATIS | ATIS.3GPP.36.133V1140-2013 | 11.4.0 | Approved | Jun 13 | https://www.atis.org/docstore/default.aspx |
| CCSA | CCSA-TSD-TDD-36.133 | 11.8.0 | Published | Jun 14 | http://www.ccsa.org.cn/english/tc/files.php?docpath=/ITU-R/M.1457/M.1457-12/TDD |
| ETSI | ETSI TS 136 133 | 11.4.0 | Published | Apr 13 | http://www.etsi.org/deliver/etsi_ts/136100_136199/136133/11.04.00_60/ |

5.3.2.9.7 TS 36.141**Evolved Universal Terrestrial Radio Access (E-UTRA); Base Station (BS) conformance testing**

This document specifies the Radio Frequency (RF) test methods and conformance requirements for E-UTRA Base Stations (BS).

| SDO (2) | Document No. | Version | Status | Issued date | Location (1) |
|-------------------|----------------------------|---------|-----------|-------------|---|
| Release 8 | | | | | |
| ARIB | ARIB STD-T63-36.141 | 8.12.0 | Approved | Jul 13 | http://www.arib.or.jp/english/html/overview/doc/STD-T63v10_40/2_T63/ARIB-STD-T63/Rel8/36/A36141-8c0.pdf |
| ATIS | ATIS.3GPP.36.141V8120-2014 | 8.12.0 | Approved | May 14 | https://www.atis.org/docstore/default.aspx |
| CCSA | CCSA-TSD-TDD-36.141 | 8.11.0 | Published | Jun 12 | http://www.ccsa.org.cn/english/tc/files.php?docpath=/ITU-R/M.1457/M.1457-12/TDD |
| ETSI | ETSI TS 136 141 | 8.12.0 | Published | Jul 12 | http://www.etsi.org/deliver/etsi_ts/136100_136199/136141/08.12.00_60/ |
| Release 9 | | | | | |
| ARIB | ARIB STD-T63-36.141 | 9.11.0 | Approved | Jul 13 | http://www.arib.or.jp/english/html/overview/doc/STD-T63v10_00/2_T63/ARIB-STD-T63/Rel9/36/A36141-9b0.pdf |
| ATIS | ATIS.3GPP.36.141V9110-2014 | 9.11.0 | Approved | May 14 | https://www.atis.org/docstore/default.aspx |
| CCSA | CCSA-TSD-TDD-36.141 | 9.9.0 | Published | Jun 12 | http://www.ccsa.org.cn/english/tc/files.php?docpath=/ITU-R/M.1457/M.1457-12/TDD |
| ETSI | ETSI TS 136 141 | 9.11.0 | Published | Oct 12 | http://www.etsi.org/deliver/etsi_ts/136100_136199/136141/09.11.00_60/ |
| Release 10 | | | | | |
| ATIS | ATIS.3GPP.36.141V10100- | 10.10.0 | Approved | Jun 13 | https://www.atis.org/docstore/default.aspx |
| CCSA | CCSA-TSD-TDD-36.141 | 10.5.0 | Published | Jun 12 | http://www.ccsa.org.cn/english/tc/files.php?docpath=/ITU-R/M.1457/M.1457-12/TDD |
| ETSI | ETSI TS 136 141 | 10.10.0 | Published | Apr 13 | http://www.etsi.org/deliver/etsi_ts/136100_136199/136141/10.10.00_60/ |
| Release 11 | | | | | |
| ATIS | ATIS.3GPP.36.141V1140-2013 | 11.4.0 | Approved | Jun 13 | https://www.atis.org/docstore/default.aspx |
| CCSA | CCSA-TSD-TDD-36.141 | 11.8.0 | Published | Jun 14 | http://www.ccsa.org.cn/english/tc/files.php?docpath=/ITU-R/M.1457/M.1457-12/TDD |
| ETSI | ETSI TS 136 141 | 11.4.0 | Published | Apr 13 | http://www.etsi.org/deliver/etsi_ts/136100_136199/136141/11.04.00_60/ |

5.3.2.9.8 TS 36.171**Evolved Universal Terrestrial Radio Access (E-UTRA); Requirements for Support of Assisted Global Navigation Satellite System (A-GNSS)**

This document establishes the minimum performance requirements for A-GNSS (including A-GPS) for FDD or TDD mode of E-UTRA for the User Equipment (UE).

| SDO (2) | Document No. | Version | Status | Issued date | Location (1) |
|-------------------|----------------------------|---------|-----------|-------------|---|
| Release 9 | | | | | |
| ARIB | ARIB STD-T63-36.171 | 9.2.0 | Approved | Jul 13 | http://www.arib.or.jp/english/html/overview/doc/STD-T63v10_40/2_T63/ARIB-STD-T63/Rel9/36/A36171-920.pdf |
| CCSA | CCSA-TSD-TDD-36.171 | 9.2.0 | Published | Jun 12 | http://www.ccsa.org.cn/english/tc/files.php?docpath=/ITU-R/M.1457/M.1457-12/TDD |
| ETSI | ETSI TS 136 171 | 9.2.0 | Published | May 11 | http://www.etsi.org/deliver/etsi_ts/136100_136199/136171/09.02.00_60/ |
| Release 10 | | | | | |
| ATIS | ATIS.3GPP.36.171V1010-2012 | 10.1.0 | Approved | Jul 12 | https://www.atis.org/docstore/default.aspx |
| CCSA | CCSA-TSD-TDD-36.171 | 10.1.0 | Published | Jun 12 | http://www.ccsa.org.cn/english/tc/files.php?docpath=/ITU-R/M.1457/M.1457-12/TDD |
| ETSI | ETSI TS 136 171 | 10.1.0 | Published | May 11 | http://www.etsi.org/deliver/etsi_ts/136100_136199/136171/10.01.00_60/ |
| Release 11 | | | | | |

| | | | | | |
|------|----------------------------|--------|-----------|--------|---|
| ATIS | ATIS.3GPP.36.171V1100-2013 | 11.0.0 | Approved | Jun 13 | https://www.atis.org/docstore/default.aspx |
| CCSA | CCSA-TSD-TDD-36.171 | 11.1.0 | Published | Jun 14 | http://www.ccsa.org.cn/english/tc/files.php?docpath=/ITU-R/M.1457/M.1457-12/TDD |
| ETSI | ETSI TS 136 171 | 11.0.0 | Published | Oct 12 | http://www.etsi.org/deliver/etsi_ts/136100_136199/136171/11.00.00_60/ |

5.3.2.10 36.500 series

5.3.2.10.1 TS 36.508

Evolved Universal Terrestrial Radio Access (E-UTRA) and Evolved Packet Core (EPC); Common test environments for User Equipment (UE) conformance testing

This document contains definitions of reference conditions and test signals, default parameters, reference radio bearer configurations used in radio bearer interoperability testing, common radio bearer configurations for other test purposes, common requirements for test equipment and generic set-up procedures for use in conformance tests for the 3rd Generation E-UTRAN User Equipment (UE).

| SDO (2) | Document No. | Version | Status | Issued date | Location (1) |
|-------------------|----------------------------|---------|-----------|-------------|---|
| Release 8 | | | | | |
| ARIB | ARIB STD-T63-36.508 | 8.6.0 | Approved | Jul 13 | http://www.arib.or.jp/english/html/overview/doc/STD-T63v10_00/2_T63/ARIB-STD-T63/Rel8/36/A36508-860.pdf |
| ATIS | ATIS.3GPP.36.508V860-2012 | 8.6.0 | Approved | Jul 12 | https://www.atis.org/docstore/default.aspx |
| CCSA | CCSA-TSD-TDD-36.508 | 8.6.0 | Published | Jun 12 | http://www.ccsa.org.cn/english/tc/files.php?docpath=/ITU-R/M.1457/M.1457-12/TDD |
| ETSI | ETSI TS 136 508 | 8.6.0 | Published | Jun 10 | http://www.etsi.org/deliver/etsi_ts/136500_136599/136508/08.06.00_60/ |
| Release 9 | | | | | |
| ARIB | ARIB STD-T63-36.508 | 9.9.0 | Approved | Jul 13 | http://www.arib.or.jp/english/html/overview/doc/STD-T63v10_00/2_T63/ARIB-STD-T63/Rel9/36/A36508-990.pdf |
| ATIS | ATIS.3GPP.36.508V990-2014 | 9.9.0 | Approved | May 14 | https://www.atis.org/docstore/default.aspx |
| CCSA | CCSA-TSD-TDD-36.508 | 9.7.0 | Published | Jun 12 | http://www.ccsa.org.cn/english/tc/files.php?docpath=/ITU-R/M.1457/M.1457-12/TDD |
| ETSI | ETSI TS 136 508 | 9.9.0 | Published | Jul 12 | http://www.etsi.org/deliver/etsi_ts/136500_136599/136508/09.09.00_60/ |
| Release 10 | | | | | |
| ATIS | ATIS.3GPP.36.508V1040-2013 | 10.4.0 | Approved | Jun 13 | https://www.atis.org/docstore/default.aspx |
| ETSI | ETSI TS 136 508 | 10.4.0 | Published | May 13 | http://www.etsi.org/deliver/etsi_ts/136500_136599/136508/10.04.00_60/ |
| Release 11 | | | | | |
| ATIS | ATIS.3GPP.36.508V1100-2013 | 11.0.0 | Approved | Jun 13 | https://www.atis.org/docstore/default.aspx |
| CCSA | CCSA-TSD-TDD-36.508 | 11.4.0 | Published | Jun 14 | http://www.ccsa.org.cn/english/tc/files.php?docpath=/ITU-R/M.1457/M.1457-12/TDD |
| ETSI | ETSI TS 136 508 | 11.0.0 | Published | May 13 | http://www.etsi.org/deliver/etsi_ts/136500_136599/136508/11.00.00_60/ |

5.3.2.10.2 TS 36.509

Evolved Universal Terrestrial Radio Access (E-UTRA) and Evolved Packet Core (EPC); Special conformance testing functions for User Equipment (UE)

This document defines for User Equipment (UE) those special functions and their activation methods that are required in User Equipment (UE) for conformance testing purposes.

| SDO (2) | Document No. | Version | Status | Issued date | Location (1) |
|-------------------|----------------------------|---------|-----------|-------------|---|
| Release 8 | | | | | |
| ARIB | ARIB STD-T63-36.509 | 8.7.0 | Approved | Jul 13 | http://www.arib.or.jp/english/html/overview/doc/STD-T63v10_00/2_T63/ARIB-STD-T63/Rel8/36/A36509-870.pdf |
| ATIS | ATIS.3GPP.36.509V870-2012 | 8.7.0 | Approved | Jul 12 | https://www.atis.org/docstore/default.aspx |
| CCSA | CCSA-TSD-TDD-36.509 | 8.7.0 | Published | Jun 12 | http://www.ccsa.org.cn/english/tc/files.php?docpath=/ITU-R/M.1457/M.1457-12/TDD |
| ETSI | ETSI TS 136 509 | 8.7.0 | Published | Jul 11 | http://www.etsi.org/deliver/etsi_ts/136500_136599/136509/08.07.00_60/ |
| Release 9 | | | | | |
| ARIB | ARIB STD-T63-36.509 | 9.6.0 | Approved | Jul 13 | http://www.arib.or.jp/english/html/overview/doc/STD-T63v10_00/2_T63/ARIB-STD-T63/Rel9/36/A36509-960.pdf |
| ATIS | ATIS.3GPP.36.509V960-2014 | 9.6.0 | Approved | May 14 | https://www.atis.org/docstore/default.aspx |
| CCSA | CCSA-TSD-TDD-36.509 | 9.5.0 | Published | Jun 12 | http://www.ccsa.org.cn/english/tc/files.php?docpath=/ITU-R/M.1457/M.1457-12/TDD |
| ETSI | ETSI TS 136 509 | 9.6.0 | Published | Oct 12 | http://www.etsi.org/deliver/etsi_ts/136500_136599/136509/09.06.00_60/ |
| Release 10 | | | | | |
| ATIS | ATIS.3GPP.36.509V1000-2013 | 10.0.0 | Approved | Jun 13 | https://www.atis.org/docstore/default.aspx |
| CCSA | CCSA-TSD-TDD-36.509 | 10.2.0 | Published | Jun 14 | http://www.ccsa.org.cn/english/tc/files.php?docpath=/ITU-R/M.1457/M.1457-12/TDD |
| ETSI | ETSI TS 136 509 | 10.0.0 | Published | Oct 12 | http://www.etsi.org/deliver/etsi_ts/136500_136599/136509/10.00.00_60/ |

5.3.2.10.3 TS 36.521-1

Evolved Universal Terrestrial Radio Access (E-UTRA); User Equipment (UE) conformance specification; Radio transmission and reception; Part 1: Conformance testing

This document specifies the measurement procedures for the conformance test of the user equipment (UE) that contain transmitting characteristics, receiving characteristics and performance requirements.

| SDO (2) | Document No. | Version | Status | Issued date | Location (1) |
|-------------------|------------------------------|---------|-----------|-------------|---|
| Release 8 | | | | | |
| ARIB | ARIB STD-T63-36.521-1 | 8.6.0 | Approved | Jul 13 | http://www.arib.or.jp/english/html/overview/doc/STD-T63v10_00/2_T63/ARIB-STD-T63/Rel8/36/A36521-1-860.pdf |
| ATIS | ATIS.3GPP.36.521-1V860-2012 | 8.6.0 | Approved | Jul 12 | https://www.atis.org/docstore/default.aspx |
| CCSA | CCSA-TSD-TDD-36.521-1 | 8.6.0 | Published | Jun 12 | http://www.ccsa.org.cn/english/tc/files.php?docpath=/ITU-R/M.1457/M.1457-12/TDD |
| ETSI | ETSI TS 136 521-1 | 8.6.0 | Published | Jun 10 | http://www.etsi.org/deliver/etsi_ts/136500_136599/13652101/08.06.00_60/ |
| Release 9 | | | | | |
| ARIB | ARIB STD-T63-36.521-1 | 9.8.0 | Approved | Jul 13 | http://www.arib.or.jp/english/html/overview/doc/STD-T63v10_00/2_T63/ARIB-STD-T63/Rel9/36/A36521-1-980.pdf |
| ATIS | ATIS.3GPP.36.521-1V980-2014 | 9.8.0 | Approved | May 14 | https://www.atis.org/docstore/default.aspx |
| CCSA | CCSA-TSD-TDD-36.521-1 | 9.7.0 | Published | Jun 12 | http://www.ccsa.org.cn/english/tc/files.php?docpath=/ITU-R/M.1457/M.1457-12/TDD |
| ETSI | ETSI TS 136 521-1 | 9.8.0 | Published | Mar 12 | http://www.etsi.org/deliver/etsi_ts/136500_136599/13652101/09.08.00_60/ |
| Release 10 | | | | | |
| ATIS | ATIS.3GPP.36.521-1V1050-2013 | 10.5.0 | Approved | Jun 13 | https://www.atis.org/docstore/default.aspx |
| CCSA | CCSA-TSD-TDD-36.521-1 | 10.0.0 | Published | Jun 12 | http://www.ccsa.org.cn/english/tc/files.php?docpath=/ITU-R/M.1457/M.1457-12/TDD |
| ETSI | ETSI TS 136 521-1 | 10.5.0 | Published | May 13 | http://www.etsi.org/deliver/etsi_ts/136500_136599/13652101/10.05.00_60/ |
| Release 11 | | | | | |
| ATIS | ATIS.3GPP.36.521-1V1101-2013 | 11.0.1 | Approved | Jun 13 | https://www.atis.org/docstore/default.aspx |

| | | | | | |
|------|-----------------------|--------|-----------|--------|---|
| CCSA | CCSA-TSD-TDD-36.521-1 | 11.4.0 | Published | Jun 14 | http://www.ccsa.org.cn/english/tc/files.php?docpath=/ITU-R/M.1457/M.1457-12/TDD |
| ETSI | ETSI TS 136 521-1 | 11.0.1 | Published | May 13 | http://www.etsi.org/deliver/etsi_ts/136500_136599/13652101/11.00.01_60/ |

5.3.2.10.4 TS 36.521-2

Evolved Universal Terrestrial Radio Access (E-UTRA); User Equipment (UE) conformance specification; Radio transmission and reception; Part 2: Implementation Conformance Statement (ICS)

This document provides the Implementation Conformance Statement (ICS) proforma for 3G Evolved Universal Terrestrial Radio Access (E-UTRA) User Equipment (UE), in compliance with the relevant requirements, and in accordance with the relevant guidance given in ISO/IEC 9646-1 and ISO/IEC 9646-7.

| SDO (2) | Document No. | Version | Status | Issued date | Location (1) |
|-------------------|------------------------------|---------|-----------|-------------|---|
| Release 8 | | | | | |
| ARIB | ARIB STD-T63-36.521-2 | 8.5.0 | Approved | Jul 13 | http://www.arib.or.jp/english/html/overview/doc/STD-T63v10_00/2_T63/ARIB-STD-T63/Rel8/36/A36521-2-850.pdf |
| ATIS | ATIS.3GPP.36.521-2V850-2012 | 8.5.0 | Approved | Jul 12 | https://www.atis.org/docstore/default.aspx |
| CCSA | CCSA-TSD-TDD-36.521-2 | 8.5.0 | Published | Jun 12 | http://www.ccsa.org.cn/english/tc/files.php?docpath=/ITU-R/M.1457/M.1457-12/TDD |
| ETSI | ETSI TS 136 521-2 | 8.5.0 | Published | Jun 10 | http://www.etsi.org/deliver/etsi_ts/136500_136599/13652102/08.05.00_60/ |
| Release 9 | | | | | |
| ARIB | ARIB STD-T63-36.521-2 | 9.9.0 | Approved | Jul 13 | http://www.arib.or.jp/english/html/overview/doc/STD-T63v10_00/2_T63/ARIB-STD-T63/Rel9/36/A36521-2-990.pdf |
| ATIS | ATIS.3GPP.36.521-2V990-2014 | 9.9.0 | Approved | May 14 | https://www.atis.org/docstore/default.aspx |
| CCSA | CCSA-TSD-TDD-36.521-2 | 9.7.0 | Published | Jun 12 | http://www.ccsa.org.cn/english/tc/files.php?docpath=/ITU-R/M.1457/M.1457-12/TDD |
| ETSI | ETSI TS 136 521-2 | 9.9.0 | Published | Nov 12 | http://www.etsi.org/deliver/etsi_ts/136500_136599/13652102/09.09.00_60/ |
| Release 10 | | | | | |
| ATIS | ATIS.3GPP.36.521-2V1050-2013 | 10.5.0 | Approved | Jun 13 | https://www.atis.org/docstore/default.aspx |
| CCSA | CCSA-TSD-TDD-36.521-2 | 10.0.0 | Published | Jun 12 | http://www.ccsa.org.cn/english/tc/files.php?docpath=/ITU-R/M.1457/M.1457-12/TDD |
| ETSI | ETSI TS 136 521-2 | 10.5.0 | Published | Apr 13 | http://www.etsi.org/deliver/etsi_ts/136500_136599/13652102/10.05.00_60/ |
| Release 11 | | | | | |
| ATIS | ATIS.3GPP.36.521-2V1100-2013 | 11.0.0 | Approved | Jun 13 | https://www.atis.org/docstore/default.aspx |
| CCSA | CCSA-TSD-TDD-36.521-2 | 11.4.0 | Published | Jun 14 | http://www.ccsa.org.cn/english/tc/files.php?docpath=/ITU-R/M.1457/M.1457-12/TDD |
| ETSI | ETSI TS 136 521-2 | 11.0.0 | Published | Apr 13 | http://www.etsi.org/deliver/etsi_ts/136500_136599/13652102/11.00.00_60/ |

5.3.2.10.5 TS 36.521-3

Evolved Universal Terrestrial Radio Access (E-UTRA); User Equipment (UE) conformance specification; Radio transmission and reception; Part 3: Radio Resource Management (RRM) conformance testing

This document specifies the measurement procedures for the conformance test of the user equipment (UE) that contain requirements for support of RRM (Radio Resource Management) as part of the 3G Long Term Evolution (3G LTE).

The requirements are listed in different clauses only if the corresponding parameters deviate. More generally, tests are only applicable to those mobiles that are intended to support the appropriate functionality. To indicate the circumstances in which tests apply, this is noted in the “test applicability” part of the test.

For example only Release 8 and later UE declared to support LTE shall be tested for this functionality. In the event that for some tests different conditions apply for different releases, this is indicated within the text of the test itself.

| SDO (2) | Document No. | Version | Status | Issued date | Location (1) |
|-------------------|------------------------------|---------|-----------|-------------|---|
| Release 8 | | | | | |
| ARIB | ARIB STD-T63-36.521-3 | 8.4.0 | Approved | Jul 13 | http://www.arib.or.jp/english/html/overview/doc/STD-T63v10_00/2_T63/ARIB-STD-T63/Rel8/36/A36521-3-840.pdf |
| CCSA | CCSA-TSD-TDD-36.521-3 | 8.4.0 | Published | Jun 14 | http://www.ccsa.org.cn/english/tc/files.php?docpath=/ITU-R/M.1457/M.1457-12/TDD |
| ETSI | ETSI TS 136 521-3 | 8.4.0 | Published | Jun 10 | http://www.etsi.org/deliver/etsi_ts/136500_136599/13652103/08.04.00_60/ |
| Release 9 | | | | | |
| ARIB | ARIB STD-T63-36.521-3 | 9.10.0 | Approved | Jul 13 | http://www.arib.or.jp/english/html/overview/doc/STD-T63v10_00/2_T63/ARIB-STD-T63/Rel9/36/A36521-3-9a0.pdf |
| CCSA | CCSA-TSD-TDD-36.521-3 | 9.10.0 | Published | Jun 14 | http://www.ccsa.org.cn/english/tc/files.php?docpath=/ITU-R/M.1457/M.1457-12/TDD |
| ETSI | ETSI TS 136 521-3 | 9.10.0 | Published | Nov 12 | http://www.etsi.org/deliver/etsi_ts/136500_136599/13652103/09.10.00_60/ |
| Release 10 | | | | | |
| ATIS | ATIS.3GPP.36.521-3V1040-2013 | 10.4.0 | Approved | Jun 13 | https://www.atis.org/docstore/default.aspx |
| CCSA | CCSA-TSD-TDD-36.521-3 | 10.4.0 | Published | Jun 14 | http://www.ccsa.org.cn/english/tc/files.php?docpath=/ITU-R/M.1457/M.1457-12/TDD |
| ETSI | ETSI TS 136 521-3 | 10.4.0 | Published | Jul 13 | http://www.etsi.org/deliver/etsi_ts/136500_136599/13652103/10.04.00_60/ |
| Release 11 | | | | | |
| ATIS | ATIS.3GPP.36.521-3V1100-2013 | 11.0.0 | Approved | Jun 13 | https://www.atis.org/docstore/default.aspx |
| CCSA | CCSA-TSD-TDD-36.521-3 | 11.4.0 | Published | Jun 14 | http://www.ccsa.org.cn/english/tc/files.php?docpath=/ITU-R/M.1457/M.1457-12/TDD |
| ETSI | ETSI TS 136 521-3 | 11.0.0 | Published | May 13 | http://www.etsi.org/deliver/etsi_ts/136500_136599/13652103/11.00.00_60/ |

5.3.2.10.6 TS 36.523-1

Evolved Universal Terrestrial Radio Access (E-UTRA) and Evolved Packet Core (EPC); User Equipment (UE) conformance specification; Part 1: Protocol conformance specification

This document specifies the protocol conformance testing for the 3rd Generation E-UTRAN User Equipment (UE).

| SDO (2) | Document No. | Version | Status | Issued date | Location (1) |
|------------------|-----------------------------|---------|-----------|-------------|---|
| Release 8 | | | | | |
| ARIB | ARIB STD-T63-36.523-1 | 8.6.0 | Approved | Jul 13 | http://www.arib.or.jp/english/html/overview/doc/STD-T63v10_00/2_T63/ARIB-STD-T63/Rel8/36/A36523-1-860.pdf |
| ATIS | ATIS.3GPP.36.523-1V860-2012 | 8.6.0 | Approved | Jul 12 | https://www.atis.org/docstore/default.aspx |
| CCSA | CCSA-TSD-TDD-36.523-1 | 8.6.0 | Published | Jun 12 | http://www.ccsa.org.cn/english/tc/files.php?docpath=/ITU-R/M.1457/M.1457-12/TDD |
| ETSI | ETSI TS 136 523-1 | 8.6.0 | Published | Jun 10 | http://www.etsi.org/deliver/etsi_ts/136500_136599/13652301/08.06.00_60/ |
| Release 9 | | | | | |
| ARIB | ARIB STD-T63-36.523-1 | 9.9.0 | Approved | Jul 13 | http://www.arib.or.jp/english/html/overview/doc/STD-T63v10_00/2_T63/ARIB-STD-T63/Rel9/36/A36523-1-990.pdf |
| ATIS | ATIS.3GPP.36.523-1V990-2014 | 9.9.0 | Approved | May 14 | https://www.atis.org/docstore/default.aspx |
| CCSA | CCSA-TSD-TDD-36.523-1 | 9.7.0 | Published | Jun 12 | http://www.ccsa.org.cn/english/tc/files.php?docpath=/ITU-R/M.1457/M.1457-12/TDD |
| ETSI | ETSI TS 136 523-1 | 9.9.0 | Published | Jul 12 | http://www.etsi.org/deliver/etsi_ts/136500_136599/13652301/09.09.00_60/ |

Release 10

| | | | | | |
|------|------------------------------|--------|-----------|--------|---|
| ATIS | ATIS.3GPP.36.523-1V1031-2013 | 10.3.1 | Approved | Jun 13 | https://www.atis.org/docstore/default.aspx |
| ETSI | ETSI TS 136 523-1 | 10.3.1 | Published | Feb 13 | http://www.etsi.org/deliver/etsi_ts/136500_136599/13652301/10.03.01_60/ |

Release 11

| | | | | | |
|------|------------------------------|--------|-----------|--------|---|
| ATIS | ATIS.3GPP.36.523-1V1120-2013 | 11.2.0 | Approved | Jun 13 | https://www.atis.org/docstore/default.aspx |
| CCSA | CCSA-TSD-TDD-36.523-1 | 11.6.0 | Published | Jun 14 | http://www.ccsa.org.cn/english/tc/files.php?docpath=/ITU-R/M.1457/M.1457-12/TDD |
| ETSI | ETSI TS 136 523-1 | 11.2.0 | Published | May 13 | http://www.etsi.org/deliver/etsi_ts/136500_136599/13652301/11.02.00_60/ |
| ETSI | ETSI TS 136 523-1 | 11.2.0 | Published | May 13 | http://www.etsi.org/deliver/etsi_ts/136500_136599/13652301/11.02.00_60/ |
| ETSI | ETSI TS 136 523-1 | 11.2.0 | Published | May 13 | http://www.etsi.org/deliver/etsi_ts/136500_136599/13652301/11.02.00_60/ |
| ETSI | ETSI TS 136 523-1 | 11.2.0 | Published | May 13 | http://www.etsi.org/deliver/etsi_ts/136500_136599/13652301/11.02.00_60/ |

5.3.2.10.7 TS 36.523-2**Evolved Universal Terrestrial Radio Access (E-UTRA) and Evolved Packet Core (EPC); User Equipment (UE) conformance specification; Part 2: Implementation Conformance Statement (ICS) proforma specification**

This document provides the Implementation Conformance Statement (ICS) proforma for 3rd Generation User Equipment (UE), in compliance with the relevant EPS (E-UTRA/EPC) requirements, and in accordance with the relevant guidance given in ISO/IEC 9646-1 and ISO/IEC 9646-7.

| SDO (2) | Document No. | Version | Status | Issued date | Location (1) |
|-------------------|------------------------------|---------|-----------|-------------|---|
| Release 8 | | | | | |
| ARIB | ARIB STD-T63-36.523-2 | 8.6.0 | Approved | Jul 13 | http://www.arib.or.jp/english/html/overview/doc/STD-T63v10_00/2_T63/ARIB-STD-T63/Rel8/36/A36523-2-860.pdf |
| ATIS | ATIS.3GPP.36.523-2V860-2012 | 8.6.0 | Approved | Jul 12 | https://www.atis.org/docstore/default.aspx |
| CCSA | CCSA-TSD-TDD-36.523-2 | 8.6.0 | Published | Jun 12 | http://www.ccsa.org.cn/english/tc/files.php?docpath=/ITU-R/M.1457/M.1457-12/TDD |
| ETSI | ETSI TS 136 523-2 | 8.6.0 | Published | Jun 10 | http://www.etsi.org/deliver/etsi_ts/136500_136599/13652302/08.06.00_60/ |
| Release 9 | | | | | |
| ARIB | ARIB STD-T63-36.523-2 | 9.10.0 | Approved | Jul 13 | http://www.arib.or.jp/english/html/overview/doc/STD-T63v10_00/2_T63/ARIB-STD-T63/Rel9/36/A36523-2-9a0.pdf |
| ATIS | ATIS.3GPP.36.523-2V9100-2014 | 9.10.0 | Approved | May 14 | https://www.atis.org/docstore/default.aspx |
| CCSA | CCSA-TSD-TDD-36.523-2 | 9.7.0 | Published | Jun 12 | http://www.ccsa.org.cn/english/tc/files.php?docpath=/ITU-R/M.1457/M.1457-12/TDD |
| ETSI | ETSI TS 136 523-2 | 9.10.0 | Published | Nov 12 | http://www.etsi.org/deliver/etsi_ts/136500_136599/13652302/09.10.00_60/ |
| Release 10 | | | | | |
| ATIS | ATIS.3GPP.36.523-2V1030-2013 | 10.3.0 | Approved | Jun 13 | https://www.atis.org/docstore/default.aspx |
| ETSI | ETSI TS 136 523-2 | 10.3.0 | Published | Jan 13 | http://www.etsi.org/deliver/etsi_ts/136500_136599/13652302/10.03.00_60/ |
| Release 11 | | | | | |
| ATIS | ATIS.3GPP.36.523-2V1122-2013 | 11.2.2 | Approved | Jun 13 | https://www.atis.org/docstore/default.aspx |
| CCSA | CCSA-TSD-TDD-36.523-2 | 11.6.0 | Published | Jun 14 | http://www.ccsa.org.cn/english/tc/files.php?docpath=/ITU-R/M.1457/M.1457-12/TDD |
| ETSI | ETSI TS 136 523-2 | 11.2.2 | Published | Apr 13 | http://www.etsi.org/deliver/etsi_ts/136500_136599/13652302/11.02.02_60/ |

5.3.2.10.8 TS 36.523-3**Evolved Universal Terrestrial Radio Access (E-UTRA) and Evolved Packet Core (EPC); User Equipment (UE) conformance specification; Part 3: Test suites**

This document specifies the protocol and signalling conformance testing in TTCN-3 for the 3GPP UE at the UE_E-UTRAN radio interface.

The following TTCN test specification and design considerations can be found in this document:

- the test system architecture;
- the overall test suite structure;
- the test models and ASP definitions;
- the test methods and usage of communication ports definitions;
- the test configurations;
- the design principles and assumptions;
- TTCN styles and conventions;
- the partial PIXIT proforma;
- the test suites.

The Abstract Test Suites designed in the document are based on the test cases specified in prose (3GPP TS 36.523_1). The applicability of the individual test cases is specified in the test ICS proforma specification (3GPP TS 36.523_2).

This document is valid for UE implemented according to 3GPP Rel-9 upwards.

| SDO (2) | Document No. | Version | Status | Issued date | Location (1) |
|-------------------|------------------------------|---------|-----------|-------------|---|
| Release 8 | | | | | |
| ARIB | ARIB STD-T63-36.523-3 | 8.7.0 | Approved | Jul 13 | http://www.arib.or.jp/english/html/overview/doc/STD-T63v10_00/2_T63/ARIB-STD-T63/Rel8/36/A36523-3-870.pdf |
| CCSA | CCSA-TSD-TDD-36.523-3 | 8.7.0 | Published | Jun 14 | http://www.ccsa.org.cn/english/tc/files.php?docpath=/ITU-R/M.1457/M.1457-12/TDD |
| ETSI | ETSI TS 136 523-3 | 8.7.0 | Published | Jul 11 | http://www.etsi.org/deliver/etsi_ts/136500_136599/13652303/08.07.00_60/ |
| Release 9 | | | | | |
| ARIB | ARIB STD-T63-36.523-3 | 9.4.0 | Approved | Jul 13 | http://www.arib.or.jp/english/html/overview/doc/STD-T63v10_00/2_T63/ARIB-STD-T63/Rel9/36/A36523-3-940.pdf |
| CCSA | CCSA-TSD-TDD-36.523-3 | 9.4.0 | Published | Jun 14 | http://www.ccsa.org.cn/english/tc/files.php?docpath=/ITU-R/M.1457/M.1457-12/TDD |
| ETSI | ETSI TS 136 523-3 | 9.4.0 | Published | Aug 12 | http://www.etsi.org/deliver/etsi_ts/136500_136599/13652303/09.04.00_60/ |
| Release 10 | | | | | |
| ATIS | ATIS.3GPP.36.523-3V1030-2013 | 10.3.0 | Approved | Jun 13 | https://www.atis.org/docstore/default.aspx |
| CCSA | CCSA-TSD-TDD-36.523-3 | 10.5.1 | Published | Jun 14 | http://www.ccsa.org.cn/english/tc/files.php?docpath=/ITU-R/M.1457/M.1457-12/TDD |
| ETSI | ETSI TS 136 523-3 | 10.3.0 | Published | May 13 | http://www.etsi.org/deliver/etsi_ts/136500_136599/13652303/10.03.00_60/ |
| ETSI | ETSI TS 136 523-3 | 10.3.0 | Published | May 13 | http://www.etsi.org/deliver/etsi_ts/136500_136599/13652303/10.03.00_60/ |
| ETSI | ETSI TS 136 523-3 | 10.3.0 | Published | May 13 | http://www.etsi.org/deliver/etsi_ts/136500_136599/13652303/10.03.00_60/ |
| ETSI | ETSI TS 136 523-3 | 10.3.0 | Published | May 13 | http://www.etsi.org/deliver/etsi_ts/136500_136599/13652303/10.03.00_60/ |
| Release 11 | | | | | |
| CCSA | CCSA-TSD-TDD-36.523-3 | 11.4.0 | Published | Jun 14 | http://www.ccsa.org.cn/english/tc/files.php?docpath=/ITU-R/M.1457/M.1457-12/TDD |

5.3.2.11 Multiple radio access technology aspects specifications

5.3.2.11.1 TS 37.104

E-UTRA, UTRA and GSM/EDGE; Multi-Standard Radio (MSR) Base Station (BS) radio transmission and reception

This specification establishes the minimum RF characteristics of E-UTRA, UTRA and GSM/EDGE Multi-Standard Radio (MSR) Base Station (BS). Requirements for multi-RAT and single-RAT operation of MSR BS are covered in this document. The requirements in this document for E-UTRA and UTRA single-RAT operation of MSR BS are also applicable to E-UTRA and UTRA multi-carrier capable single-RAT BS. Requirements for GSM BS that are only single-RAT capable are not covered.

| SDO (2) | Document No. | Version | Status | Issued date | Location (1) |
|-------------------|----------------------------|---------|-----------|-------------|---|
| Release 9 | | | | | |
| ATIS | ATIS.3GPP.37.104V981-2014 | 9.8.1 | Approved | May 14 | https://www.atis.org/docstore/default.aspx |
| CCSA | CCSA-TSD-TDD-37.104 | 9.6.0 | Published | Jun 12 | http://www.ccsa.org.cn/english/tc/files.php?docpath=/ITU-R/M.1457/M.1457-12/TDD |
| ETSI | ETSI TS 137 104 | 9.8.1 | Published | Feb 13 | http://www.etsi.org/deliver/etsi_ts/137100_137199/137104/09.08.01_60/ |
| Release 10 | | | | | |
| ATIS | ATIS.3GPP.37.104V10100- | 10.10.0 | Approved | Jun 13 | https://www.atis.org/docstore/default.aspx |
| CCSA | CCSA-TSD-TDD-37.104 | 10.5.0 | Published | Jun 12 | http://www.ccsa.org.cn/english/tc/files.php?docpath=/ITU-R/M.1457/M.1457-12/TDD |
| ETSI | ETSI TS 137 104 | 10.10.0 | Published | Apr 13 | http://www.etsi.org/deliver/etsi_ts/137100_137199/137104/10.10.00_60/ |
| Release 11 | | | | | |
| ATIS | ATIS.3GPP.37.104V1140-2013 | 11.4.0 | Approved | Jun 13 | https://www.atis.org/docstore/default.aspx |
| CCSA | CCSA-TSD-TDD-37.104 | 11.8.0 | Published | Jun 14 | http://www.ccsa.org.cn/english/tc/files.php?docpath=/ITU-R/M.1457/M.1457-12/TDD |
| ETSI | ETSI TS 137 104 | 11.4.0 | Published | Apr 13 | http://www.etsi.org/deliver/etsi_ts/137100_137199/137104/11.04.00_60/ |

5.3.2.11.2 TS 37.113

E-UTRA, UTRA and GSM/EDGE; Multi-Standard Radio (MSR) Base Station (BS) Electromagnetic Compatibility (EMC)

This document covers the assessment of E-UTRA, UTRA and GSM/EDGE Multi-Standard Radio (MSR) Base Stations and associated ancillary equipment in respect of Electromagnetic Compatibility (EMC). This document specifies the applicable test conditions, performance assessment and performance criteria for E-UTRA, UTRA and GSM/EDGE Base Stations and associated ancillary equipment in one of the following categories: (i) Multi-Standard Radio (MSR) Base Stations for E-UTRA, UTRA and GSM/EDGE meeting the requirements of TS 37.104, with conformance demonstrated by compliance to TS 37.141; (ii) Base Stations for E-UTRA meeting the requirements of TS 36.104, with conformance demonstrated by compliance to TS 36.141; (iii) Base Stations for UTRA FDD meeting the requirements of TS 25.104, with conformance demonstrated by compliance to TS 25.141; (iv) Base Stations for UTRA TDD meeting the requirements of TS 25.105, with conformance demonstrated by compliance to TS 25.142; (v) Base Stations for GSM/EDGE meeting the requirements of TS 45.005, with conformance demonstrated by compliance to TS 51.021. The environment classification used in this document refers to the environment classification used in IEC 61000-6-1 and IEC 61000-6-3. The EMC requirements have been selected to ensure an adequate level of compatibility for apparatus at residential, commercial and light industrial environments. The levels, however, do not cover extreme cases which may occur in any location but with low probability of occurrence.

| SDO (2) | Document No. | Version | Status | Issued date | Location (1) |
|-------------------|----------------------------|---------|-----------|-------------|---|
| Release 9 | | | | | |
| CCSA | CCSA-TSD-TDD-37.113 | 9.2.0 | Published | Jun 12 | http://www.ccsa.org.cn/english/tc/files.php?docpath=/ITU-R/M.1457/M.1457-12/TDD |
| ETSI | ETSI TS 137 113 | 9.2.0 | Published | Jan 11 | http://www.etsi.org/deliver/etsi_ts/137100_137199/137113/09.02.00_60/ |
| Release 10 | | | | | |
| ATIS | ATIS.3GPP.37.113V1040-2013 | 10.4.0 | Approved | Jun 13 | https://www.atis.org/docstore/default.aspx |
| CCSA | CCSA-TSD-TDD-37.113 | 10.4.0 | Published | Jun 12 | http://www.ccsa.org.cn/english/tc/files.php?docpath=/ITU-R/M.1457/M.1457-12/TDD |
| CCSA | CCSA-TSD-TDD-37.113 | 11.1.0 | Published | Jun 14 | http://www.ccsa.org.cn/english/tc/files.php?docpath=/ITU-R/M.1457/M.1457-12/TDD |
| ETSI | ETSI TS 137 113 | 10.4.0 | Published | Jan 12 | http://www.etsi.org/deliver/etsi_ts/137100_137199/137113/10.04.00_60/ |
| Release 11 | | | | | |
| ATIS | ATIS.3GPP.37.113V1110-2013 | 11.1.0 | Approved | Jun 13 | https://www.atis.org/docstore/default.aspx |
| ETSI | ETSI TS 137 113 | 11.1.0 | Published | Nov 12 | http://www.etsi.org/deliver/etsi_ts/137100_137199/137113/11.01.00_60/ |

5.3.2.11.3 TS 37.141

E-UTRA, UTRA and GSM/EDGE; Multi-Standard Radio (MSR) Base Station (BS) conformance testing

This document specifies the Radio Frequency (RF) test methods and conformance requirements for E-UTRA, UTRA and GSM/EDGE Multi-Standard Radio (MSR) Base Station (BS).

| SDO (2) | Document No. | Version | Status | Issued date | Location (1) |
|-------------------|----------------------------|---------|-----------|-------------|---|
| Release 9 | | | | | |
| CCSA | CCSA-TSD-TDD-37.141 | 9.6.0 | Published | Jun 12 | http://www.ccsa.org.cn/english/tc/files.php?docpath=/ITU-R/M.1457/M.1457-12/TDD |
| ETSI | ETSI TS 137 141 | 9.9.1 | Published | Feb 13 | http://www.etsi.org/deliver/etsi_ts/137100_137199/137141/09.09.01_60/ |
| Release 10 | | | | | |
| ATIS | ATIS.3GPP.37.141V1091-2013 | 10.9.1 | Approved | Jun 13 | https://www.atis.org/docstore/default.aspx |
| CCSA | CCSA-TSD-TDD-37.141 | 10.5.0 | Published | Jun 12 | http://www.ccsa.org.cn/english/tc/files.php?docpath=/ITU-R/M.1457/M.1457-12/TDD |
| ETSI | ETSI TS 137 141 | 10.9.1 | Published | Feb 13 | http://www.etsi.org/deliver/etsi_ts/137100_137199/137141/10.09.01_60/ |
| Release 11 | | | | | |
| ATIS | ATIS.3GPP.37.141V1140-2013 | 11.4.0 | Approved | Jun 13 | https://www.atis.org/docstore/default.aspx |
| CCSA | CCSA-TSD-TDD-37.141 | 11.8.0 | Published | Jun 14 | http://www.ccsa.org.cn/english/tc/files.php?docpath=/ITU-R/M.1457/M.1457-12/TDD |
| ETSI | ETSI TS 137 141 | 11.4.0 | Published | Apr 13 | http://www.etsi.org/deliver/etsi_ts/137100_137199/137141/11.04.00_60/ |

5.3.2.11.4 TS 37.320

Universal Terrestrial Radio Access (UTRA) and Evolved Universal Terrestrial Radio Access (E-UTRA); Radio measurement collection for Minimization of Drive Tests (MDT); Overall description; Stage 2

This document provides an overview and overall description of the minimization of drive tests functionality. The document describes functions and procedures to support collection of UE-specific measurements for MDT using Control Plane architecture, for both UTRAN and E-

| SDO (2) | Document No. | Version | Status | Issued date | Location (1) |
|-------------------|--------------|---------|--------|-------------|--------------|
| Release 10 | | | | | |

| | | | | | |
|-------------------|----------------------------|--------|-----------|--------|---|
| ARIB | ARIB STD-T63-37.320 | 10.4.0 | Approved | Jul 13 | http://www.arib.or.jp/english/html/overview/doc/STD-T63v10_00/2_T63/ARIB-STD-T63/Rel10/37/A37320-a40.pdf |
| ATIS | ATIS.3GPP.37.320V1040-2013 | 10.4.0 | Approved | Jun 13 | https://www.atis.org/docstore/default.aspx |
| CCSA | CCSA-TSD-TDD-37.320 | 10.4.0 | Published | Jun 12 | http://www.ccsa.org.cn/english/tc/files.php?docpath=/ITU-R/M.1457/M.1457-12/TDD |
| ETSI | ETSI TS 137 320 | 10.4.0 | Published | Jan 12 | http://www.etsi.org/deliver/etsi_ts/137300_137399/137320/10.04.00_60/ |
| Release 11 | | | | | |
| ATIS | ATIS.3GPP.37.320V1130-2013 | 11.3.0 | Approved | Jun 13 | https://www.atis.org/docstore/default.aspx |
| CCSA | CCSA-TSD-TDD-37.320 | 11.3.0 | Published | Jun 14 | http://www.ccsa.org.cn/english/tc/files.php?docpath=/ITU-R/M.1457/M.1457-12/TDD |
| ETSI | ETSI TS 137 320 | 11.3.0 | Published | Apr 13 | http://www.etsi.org/deliver/etsi_ts/137300_137399/137320/11.03.00_60/ |

5.3.2.11.5 TS 37.571-1

Universal Terrestrial Radio Access (UTRA) and Evolved UTRA (E-UTRA) and Evolved Packet Core (EPC); User Equipment (UE) conformance specification for UE positioning; Part 1: Conformance test specification

This document specifies the procedures for the conformance test of the measurement requirements for FDD mode of UTRA and FDD or TDD mode of E-UTRA for the User Equipment (UE) that supports one or more of the defined positioning methods. These positioning methods are for UTRA: Assisted Global Positioning System (A-GPS), Assisted Global Navigation Satellite Systems (A-GNSS) and for E-UTRA: Assisted Global Navigation Satellite System (A-GNSS), Observed Time Difference of Arrival (OTDOA), Enhanced Cell ID (ECID).

Tests are only applicable to those mobiles that are intended to support the appropriate functionality. To indicate the circumstances in which tests apply, this is noted in the "Test applicability" part of the test.

The Implementation Conformance Statement (ICS) pro-forma could be found in the 3rd part of this document.

| SDO (2) | Document No. | Version | Status | Issued date | Location (1) |
|-------------------|------------------------------|---------|-----------|-------------|---|
| Release 9 | | | | | |
| ARIB | ARIB STD-T63-37.571-1 | 9.3.0 | Approved | Jul 13 | http://www.arib.or.jp/english/html/overview/doc/STD-T63v10_00/2_T63/ARIB-STD-T63/Rel9/37/A37571-1-930.pdf |
| CCSA | CCSA-TSD-TDD-37.571-1 | 9.3.0 | Published | Jun 14 | http://www.ccsa.org.cn/english/tc/files.php?docpath=/ITU-R/M.1457/M.1457-12/TDD |
| ETSI | ETSI TS 137 571-1 | 9.3.0 | Published | Jan 13 | http://www.etsi.org/deliver/etsi_ts/137500_137599/13757101/09.03.00_60/ |
| Release 10 | | | | | |
| ARIB | ARIB STD-T63-37.571-1 | 10.3.0 | Approved | Jul 13 | http://www.arib.or.jp/english/html/overview/doc/STD-T63v10_00/2_T63/ARIB-STD-T63/Rel10/37/A37571-1- |
| ATIS | ATIS.3GPP.37.571-1V1030-2013 | 10.3.0 | Approved | Jun 13 | https://www.atis.org/docstore/default.aspx |
| CCSA | CCSA-TSD-TDD-37.571-1 | 10.7.0 | Published | Jun 14 | http://www.ccsa.org.cn/english/tc/files.php?docpath=/ITU-R/M.1457/M.1457-12/TDD |
| ETSI | ETSI TS 137 571-1 | 10.3.0 | Published | Apr 13 | http://www.etsi.org/deliver/etsi_ts/137500_137599/13757101/10.03.00_60/ |
| Release 11 | | | | | |
| CCSA | CCSA-TSD-TDD-37.571-1 | 11.1.0 | Published | Jun 14 | http://www.ccsa.org.cn/english/tc/files.php?docpath=/ITU-R/M.1457/M.1457-12/TDD |

5.3.2.11.6 TS 37.571-2

Universal Terrestrial Radio Access (UTRA) and Evolved UTRA (E-UTRA) and Evolved Packet Core (EPC); User Equipment (UE) conformance specification for UE positioning; Part 2: Protocol conformance

This document specifies the protocol conformance testing for the 3rd Generation UTRAN and E-UTRAN User Equipment (UE) supporting UE positioning.

This is the second part of a multi-part test specification. The following information can be found in this part:

- the overall protocol conformance test structure;
- the protocol conformance test configurations;
- the conformance requirement and reference to the core specifications;
- the test purposes;
- a brief description of the test procedure, the specific test requirements and short message exchange table.

The Implementation Conformance Statement (ICS) pro-forma could be found in the 3rd part of this document.

This document is valid for UE supporting UE positioning implemented according to 3GPP releases starting from Release 99 up to the Release indicated on the cover page of this document.

| SDO (2) | Document No. | Version | Status | Issued date | Location (1) |
|-------------------|------------------------------|---------|-----------|-------------|---|
| Release 9 | | | | | |
| ARIB | ARIB STD-T63-37.571-2 | 9.3.0 | Approved | Jul 13 | http://www.arib.or.jp/english/html/overview/doc/STD-T63v10_00/2_T63/ARIB-STD-T63/Rel9/37/A37571-2-930.pdf |
| CCSA | CCSA-TSD-TDD-37.571-2 | 9.3.0 | Published | Jun 14 | http://www.ccsa.org.cn/english/tc/files.php?docpath=/ITU-R/M.1457/M.1457-12/TDD |
| ETSI | ETSI TS 137 571-2 | 9.3.0 | Published | Jan 13 | http://www.etsi.org/deliver/etsi_ts/137500_137599/13757102/09.03.00_60/ |
| Release 10 | | | | | |
| ARIB | ARIB STD-T63-37.571-2 | 10.2.0 | Approved | Jul 13 | http://www.arib.or.jp/english/html/overview/doc/STD-T63v10_00/2_T63/ARIB-STD-T63/Rel10/37/A37571-2- |
| ATIS | ATIS.3GPP.37.571-2V1020-2013 | 10.2.0 | Approved | Jun 13 | https://www.atis.org/docstore/default.aspx |
| CCSA | CCSA-TSD-TDD-37.571-2 | 10.7.0 | Published | Jun 14 | http://www.ccsa.org.cn/english/tc/files.php?docpath=/ITU-R/M.1457/M.1457-12/TDD |
| ETSI | ETSI TS 137 571-2 | 10.2.0 | Published | Apr 13 | http://www.etsi.org/deliver/etsi_ts/137500_137599/13757102/10.02.00_60/ |

5.3.2.11.7 TS 37.571-3

Universal Terrestrial Radio Access (UTRA) and Evolved UTRA (E-UTRA) and Evolved Packet Core (EPC); User Equipment (UE) conformance specification for UE positioning; Part 3: Implementation Conformance Statement (ICS)

This document provides the Implementation Conformance Statement (ICS) proforma for 3rd Generation UTRAN and E-UTRAN User Equipment (UE) supporting UE positioning, in compliance with the relevant requirements, and in accordance with the relevant guidance given in ISO/IEC 9646-1 and ISO/IEC 9646-7.

This document also specifies a recommended applicability statement for the test cases included in 3GPP TS 37.571-1 and 3GPP TS 37.571-2.

These applicability statements are based on the features implemented in the UE.

Special conformance testing functions can be found in 3GPP TS 34.109 for UTRA and 3GPP TS 36.509 for E-UTRA. The common test environments are included in 3GPP TS 34.108 for UTRA and in 3GPP TS 36.508 for E-UTRA.

This document is valid for UE supporting UE positioning implemented according to 3GPP releases starting from Release 99 up to the Release indicated on the cover page of this document.

| SDO (2) | Document No. | Version | Status | Issued date | Location (1) |
|-------------------|------------------------------|---------|-----------|-------------|---|
| Release 9 | | | | | |
| ARIB | ARIB STD-T63-37.571-3 | 9.2.0 | Approved | Jul 13 | http://www.arib.or.jp/english/html/overview/doc/STD-T63v10_00/2_T63/ARIB-STD-T63/Rel9/37/A37571-3-920.pdf |
| CCSA | CCSA-TSD-TDD-37.571-3 | 9.2.0 | Published | Jun 14 | http://www.ccsa.org.cn/english/tc/files.php?docpath=/ITU-R/M.1457/M.1457-12/TDD |
| ETSI | ETSI TS 137 571-3 | 9.2.0 | Published | Jan 13 | http://www.etsi.org/deliver/etsi_ts/137500_137599/13757103/09.02.00_60/ |
| Release 10 | | | | | |
| ARIB | ARIB STD-T63-37.571-3 | 10.3.0 | Approved | Jul 13 | http://www.arib.or.jp/english/html/overview/doc/STD-T63v10_00/2_T63/ARIB-STD-T63/Rel10/37/A37571-3- |
| ATIS | ATIS.3GPP.37.571-3V1031-2013 | 10.3.1 | Approved | Jun 13 | https://www.atis.org/docstore/default.aspx |
| CCSA | CCSA-TSD-TDD-37.571-3 | 10.7.0 | Published | Jun 14 | http://www.ccsa.org.cn/english/tc/files.php?docpath=/ITU-R/M.1457/M.1457-12/TDD |
| ETSI | ETSI TS 137 571-3 | 10.3.1 | Published | Apr 13 | http://www.etsi.org/deliver/etsi_ts/137500_137599/13757103/10.03.01_60/ |

5.3.2.11.8 TS 37.571-4

Universal Terrestrial Radio Access (UTRA) and Evolved UTRA (E-UTRA) and Evolved Packet Core (EPC); User Equipment (UE) conformance specification for UE positioning; Part 4: Test suites

This document specifies the protocol and signalling conformance testing in TTCN for the UE:

- A-GPS at the UTRA Uu interface;
- LTE positioning at the LTE-Uu interface;
- A-GNSS at the UTRA Uu interface.

The following TTCN test specification and design considerations can be found in this document:

- Test system architecture;
- Test models and ASP definitions;
- Test methods and usage of communication ports definitions;
- Test configurations;
- Design principles and assumptions;

- TTCN styles and conventions;
- Partial PIXIT proforma;
- Test suites in TTCN-2 and TTCN-3;
- The Test Suites designed and implemented in this document are based on the test specifications in prose in 3GPP TS 37.571_2;
- The applicability of the individual test cases is specified in the test ICS proforma specification in 3GPP TS 37.571_3.

| SDO (2) | Document No. | Version | Status | Issued date | Location (1) |
|-------------------|------------------------------|---------|-----------|-------------|---|
| Release 9 | | | | | |
| ARIB | ARIB STD-T63-37.571-4 | 9.1.0 | Approved | Jul 13 | http://www.arib.or.jp/english/html/overview/doc/STD-T63v10_00/2_T63/ARIB-STD-T63/Rel9/37/A37571-4-910.pdf |
| CCSA | CCSA-TSD-TDD-37.571-4 | 9.1.0 | Published | Jun 14 | http://www.ccsa.org.cn/english/tc/files.php?docpath=/ITU-R/M.1457/M.1457-12/TDD |
| ETSI | ETSI TS 137 571-4 | 9.1.0 | Published | Jan 13 | http://www.etsi.org/deliver/etsi_ts/137500_137599/13757104/09.01.00_60/ |
| Release 10 | | | | | |
| ARIB | ARIB STD-T63-37.571-4 | 10.1.0 | Approved | Jul 13 | http://www.arib.or.jp/english/html/overview/doc/STD-T63v10_00/2_T63/ARIB-STD-T63/Rel10/37/A37571-4- |
| ATIS | ATIS.3GPP.37.571-4V1010-2013 | 10.1.0 | Approved | Jun 13 | https://www.atis.org/docstore/default.aspx |
| CCSA | CCSA-TSD-TDD-37.571-4 | 10.6.0 | Published | Jun 14 | http://www.ccsa.org.cn/english/tc/files.php?docpath=/ITU-R/M.1457/M.1457-12/TDD |
| ETSI | ETSI TS 137 571-4 | 10.1.0 | Published | Oct 12 | http://www.etsi.org/deliver/etsi_ts/137500_137599/13757104/10.01.00_60/ |

5.3.2.11.9 TS 37.571-5

Universal Terrestrial Radio Access (UTRA) and Evolved UTRA (E-UTRA) and Evolved Packet Core (EPC); User Equipment (UE) conformance specification for UE positioning; Part 5: Test scenarios and assistance data

This document specifies the test scenarios and assistance data required for the conformance test for FDD or TDD mode of UTRA and E-UTRA for the User Equipment (UE) that supports one or more of the defined positioning methods. For UTRA these are Assisted Global Positioning System (A-GPS) and Assisted Global Navigation Satellite System (A-GNSS). For E-UTRA these are A-GNSS, Observed Time Difference of Arrival (OTDOA) and Enhanced Cell ID (ECID).

| SDO (2) | Document No. | Version | Status | Issued date | Location (1) |
|-------------------|------------------------------|---------|-----------|-------------|---|
| Release 9 | | | | | |
| ARIB | ARIB STD-T63-37.571-5 | 10.3.0 | Approved | Jul 13 | http://www.arib.or.jp/english/html/overview/doc/STD-T63v10_00/2_T63/ARIB-STD-T63/Rel10/37/A37571-5- |
| ARIB | ARIB STD-T63-37.571-5 | 9.4.0 | Approved | Jul 13 | http://www.arib.or.jp/english/html/overview/doc/STD-T63v10_00/2_T63/ARIB-STD-T63/Rel9/37/A37571-5-940.pdf |
| CCSA | CCSA-TSD-TDD-37.571-5 | 9.4.0 | Published | Jun 14 | http://www.ccsa.org.cn/english/tc/files.php?docpath=/ITU-R/M.1457/M.1457-12/TDD |
| ETSI | ETSI TS 137 571-5 | 9.4.0 | Published | Jan 13 | http://www.etsi.org/deliver/etsi_ts/137500_137599/13757105/09.04.00_60/ |
| Release 10 | | | | | |
| ATIS | ATIS.3GPP.37.571-5V1030-2013 | 10.3.0 | Approved | Jun 13 | https://www.atis.org/docstore/default.aspx |
| CCSA | CCSA-TSD-TDD-37.571-5 | 10.8.0 | Published | Jun 14 | http://www.ccsa.org.cn/english/tc/files.php?docpath=/ITU-R/M.1457/M.1457-12/TDD |
| ETSI | ETSI TS 137 571-5 | 10.3.0 | Published | Apr 13 | http://www.etsi.org/deliver/etsi_ts/137500_137599/13757105/10.03.00_60/ |

5.3.2.12 Core network and Terminal aspects

5.3.2.12.1 TS 21.111

USIM and IC card requirements

This document defines the requirements of the USIM (Universal Subscriber Identity Module) and the IC card for 3G (UICC). These are derived from the service and security requirements defined in TS 22.100 and TS 22.101. The USIM is a 3G application on an IC card. It inter-operates with a 3G terminal and provides access to 3G services. This document is intended to serve as a basis for the detailed specification of the USIM and the UICC, and the interface to the 3G terminal.

| SDO (2) | Document No. | Version | Status | Issued date | Location (1) |
|-------------------|---------------------------|---------|-----------|-------------|---|
| Release 99 | | | | | |
| ARIB | ARIB STD-T63-21.111 | 3.5.0 | Approved | Jul 13 | http://www.arib.or.jp/english/html/overview/doc/STD-T63v10_00/2_T63/ARIB-STD-T63/R99/21/A21111-350.pdf |
| ATIS | ATIS.3GPP.21.111V350-2006 | 3.5.0 | Approved | Apr 06 | https://www.atis.org/docstore/default.aspx |
| CCSA | CCSA-TSD-TDD-21.111 | 3.5.0 | Published | Jun 05 | http://www.ccsa.org.cn/english/tc/files.php?docpath=/ITU-R/M.1457/M.1457-12/TDD |
| ETSI | ETSI TS 121 111 | 3.5.0 | Published | Jun 05 | http://www.etsi.org/deliver/etsi_ts/121100_121199/121111/03.05.00_60/ |
| Release 4 | | | | | |
| ARIB | ARIB STD-T63-21.111 | 4.2.0 | Approved | Jul 13 | http://www.arib.or.jp/english/html/overview/doc/STD-T63v10_00/2_T63/ARIB-STD-T63/Rel4/21/A21111-420.pdf |
| ATIS | ATIS.3GPP.21.111V420-2006 | 4.2.0 | Approved | Apr 06 | https://www.atis.org/docstore/default.aspx |
| CCSA | CCSA-TSD-TDD-21.111 | 4.2.0 | Published | Jun 05 | http://www.ccsa.org.cn/english/tc/files.php?docpath=/ITU-R/M.1457/M.1457-12/TDD |
| ETSI | ETSI TS 121 111 | 4.2.0 | Published | Jun 05 | http://www.etsi.org/deliver/etsi_ts/121100_121199/121111/04.02.00_60/ |
| Release 5 | | | | | |
| ARIB | ARIB STD-T63-21.111 | 5.2.0 | Approved | Jul 13 | http://www.arib.or.jp/english/html/overview/doc/STD-T63v10_00/2_T63/ARIB-STD-T63/Rel5/21/A21111-520.pdf |
| ATIS | ATIS.3GPP.21.111V520-2006 | 5.2.0 | Approved | Apr 06 | https://www.atis.org/docstore/default.aspx |
| CCSA | CCSA-TSD-TDD-21.111 | 5.2.0 | Published | Jun 05 | http://www.ccsa.org.cn/english/tc/files.php?docpath=/ITU-R/M.1457/M.1457-12/TDD |
| ETSI | ETSI TS 121 111 | 5.2.0 | Published | Jun 05 | http://www.etsi.org/deliver/etsi_ts/121100_121199/121111/05.02.00_60/ |
| Release 6 | | | | | |
| ARIB | ARIB STD-T63-21.111 | 6.3.0 | Approved | Jul 13 | http://www.arib.or.jp/english/html/overview/doc/STD-T63v10_00/2_T63/ARIB-STD-T63/Rel6/21/A21111-630.pdf |
| ATIS | ATIS.3GPP.21.111V630-2007 | 6.3.0 | Approved | Oct 07 | https://www.atis.org/docstore/default.aspx |
| CCSA | CCSA-TSD-TDD-21.111 | 6.3.0 | Published | Jul 06 | http://www.ccsa.org.cn/english/tc/files.php?docpath=/ITU-R/M.1457/M.1457-12/TDD |
| ETSI | ETSI TS 121 111 | 6.3.0 | Published | Jul 06 | http://www.etsi.org/deliver/etsi_ts/121100_121199/121111/06.03.00_60/ |
| Release 7 | | | | | |
| ARIB | ARIB STD-T63-21.111 | 7.2.0 | Approved | Jul 13 | http://www.arib.or.jp/english/html/overview/doc/STD-T63v10_00/2_T63/ARIB-STD-T63/Rel7/21/A21111-720.pdf |
| ATIS | ATIS.3GPP.21.111V720-2010 | 7.2.0 | Approved | Jul 10 | https://www.atis.org/docstore/default.aspx |
| CCSA | CCSA-TSD-TDD-21.111 | 7.2.0 | Published | Mar 10 | http://www.ccsa.org.cn/english/tc/files.php?docpath=/ITU-R/M.1457/M.1457-12/TDD |
| ETSI | ETSI TS 121 111 | 7.2.0 | Published | Jan 10 | http://www.etsi.org/deliver/etsi_ts/121100_121199/121111/07.02.00_60/ |
| Release 8 | | | | | |
| ARIB | ARIB STD-T63-21.111 | 8.3.0 | Approved | Jul 13 | http://www.arib.or.jp/english/html/overview/doc/STD-T63v10_00/2_T63/ARIB-STD-T63/Rel8/21/A21111-830.pdf |
| ATIS | ATIS.3GPP.21.111V830-2010 | 8.3.0 | Approved | Jul 10 | https://www.atis.org/docstore/default.aspx |
| CCSA | CCSA-TSD-TDD-21.111 | 8.3.0 | Published | Mar 10 | http://www.ccsa.org.cn/english/tc/files.php?docpath=/ITU-R/M.1457/M.1457-12/TDD |
| ETSI | ETSI TS 121 111 | 8.3.0 | Published | Jan 10 | http://www.etsi.org/deliver/etsi_ts/121100_121199/121111/08.03.00_60/ |
| Release 9 | | | | | |

| | | | | | |
|-------------------|----------------------------|--------|-----------|--------|---|
| ARIB | ARIB STD-T63-21.111 | 9.0.0 | Approved | Jul 13 | http://www.arib.or.jp/english/html/overview/doc/STD-T63v10_00/2_T63/ARIB-STD-T63/Rel9/21/A21111-900.pdf |
| ATIS | ATIS.3GPP.21.111V900-2010 | 9.0.0 | Approved | Jul 10 | https://www.atis.org/docstore/default.aspx |
| CCSA | CCSA-TSD-TDD-21.111 | 9.0.0 | Published | Mar 10 | http://www.ccsa.org.cn/english/tc/files.php?docpath=/ITU-R/M.1457/M.1457-12/TDD |
| ETSI | ETSI TS 121 111 | 9.0.0 | Published | Jan 10 | http://www.etsi.org/deliver/etsi_ts/121100_121199/121111/09.00.00_60/ |
| Release 10 | | | | | |
| ARIB | ARIB STD-T63-21.111 | 10.0.0 | Approved | Jul 13 | http://www.arib.or.jp/english/html/overview/doc/STD-T63v10_00/2_T63/ARIB-STD-T63/Rel10/21/A21111-a00.pdf |
| ATIS | ATIS.3GPP.21.111V1000-2012 | 10.0.0 | Approved | Jul 12 | https://www.atis.org/docstore/default.aspx |
| CCSA | CCSA-TSD-TDD-21.111 | 10.0.0 | Published | Jun 12 | http://www.ccsa.org.cn/english/tc/files.php?docpath=/ITU-R/M.1457/M.1457-12/TDD |
| ETSI | ETSI TS 121 111 | 10.0.0 | Published | May 11 | http://www.etsi.org/deliver/etsi_ts/121100_121199/121111/10.00.00_60/ |
| Release 11 | | | | | |
| ARIB | ARIB STD-T63-21.111 | 11.0.1 | Approved | Jul 13 | http://www.arib.or.jp/english/html/overview/doc/STD-T63v10_00/2_T63/ARIB-STD-T63/Rel11/21/A21111-b01.pdf |
| ATIS | ATIS.3GPP.21.111V1100-2014 | 11.0.0 | Approved | May 14 | https://www.atis.org/docstore/default.aspx |
| CCSA | CCSA-TSD-TDD-21.111 | 11.0.1 | Published | Jun 14 | http://www.ccsa.org.cn/english/tc/files.php?docpath=/ITU-R/M.1457/M.1457-12/TDD |
| ETSI | ETSI TS 121 111 | 11.0.1 | Published | Jan 13 | http://www.etsi.org/deliver/etsi_ts/121100_121199/121111/11.00.01_60/ |

5.3.2.12.2 TS 23.003

Numbering, addressing and identification

This document defines the principal purpose and use of International Mobile station Equipment Identities (IMEI) within the digital cellular telecommunications system and the 3GPP system.

| SDO (2) | Document No. | Version | Status | Issued date | Location (1) |
|-------------------|----------------------------|---------|-----------|-------------|---|
| Release 99 | | | | | |
| CCSA | CCSA-TSD-TDD-23.003 | 3.15.0 | Published | Jun 12 | http://www.ccsa.org.cn/english/tc/files.php?docpath=/ITU-R/M.1457/M.1457-12/TDD |
| ETSI | ETSI TS 123 003 | 3.15.0 | Published | Oct 06 | http://www.etsi.org/deliver/etsi_ts/123000_123099/123003/03.15.00_60/ |
| TTC | TS-3GA-23.003(R99)v3.15.0 | 3.15.0 | Approved | Mar 07 | http://www.ttc.or.jp/j/document_list/free/TS/TS-3GA-23.003(R99)v3.15.0.pdf |
| Release 4 | | | | | |
| CCSA | CCSA-TSD-TDD-23.003 | 4.9.0 | Published | Jun 12 | http://www.ccsa.org.cn/english/tc/files.php?docpath=/ITU-R/M.1457/M.1457-12/TDD |
| ETSI | ETSI TS 123 003 | 4.9.0 | Published | Oct 06 | http://www.etsi.org/deliver/etsi_ts/123000_123099/123003/04.09.00_60/ |
| TTC | TS-3GA-23.003(Rel4)v4.9.0 | 4.9.0 | Approved | Mar 07 | http://www.ttc.or.jp/j/document_list/free/TS/TS-3GA-23.003(Rel4)v4.9.0.pdf |
| Release 5 | | | | | |
| CCSA | CCSA-TSD-TDD-23.003 | 5.11.0 | Published | Jun 12 | http://www.ccsa.org.cn/english/tc/files.php?docpath=/ITU-R/M.1457/M.1457-12/TDD |
| ETSI | ETSI TS 123 003 | 5.11.0 | Published | Jul 06 | http://www.etsi.org/deliver/etsi_ts/123000_123099/123003/05.11.00_60/ |
| TTC | TS-3GA-23.003(Rel5)v5.11.0 | 5.11.0 | Approved | Mar 07 | http://www.ttc.or.jp/j/document_list/free/TS/TS-3GA-23.003(Rel5)v5.11.0.pdf |
| Release 6 | | | | | |
| CCSA | CCSA-TSD-TDD-23.003 | 6.16.0 | Published | Jun 12 | http://www.ccsa.org.cn/english/tc/files.php?docpath=/ITU-R/M.1457/M.1457-12/TDD |
| ETSI | ETSI TS 123 003 | 6.17.0 | Published | Apr 12 | http://www.etsi.org/deliver/etsi_ts/123000_123099/123003/06.17.00_60/ |
| TTC | TS-3GA-23.003(Rel6)v6.17.0 | 6.17.0 | Approved | Jun 12 | http://www.ttc.or.jp/j/document_list/free/3gpp2012/TS/TS-3GA-23.003(Rel6)v6.17.0.pdf |
| Release 7 | | | | | |
| CCSA | CCSA-TSD-TDD-23.003 | 7.10.0 | Published | Jun 12 | http://www.ccsa.org.cn/english/tc/files.php?docpath=/ITU-R/M.1457/M.1457-12/TDD |
| ETSI | ETSI TS 123 003 | 7.11.0 | Published | Apr 12 | http://www.etsi.org/deliver/etsi_ts/123000_123099/123003/07.11.00_60/ |

| | | | | | |
|-------------------|-----------------------------|--------|-----------|--------|---|
| TTC | TS-3GA-23.003(Rel7)v7.11.0 | 7.11.0 | Approved | Jun 12 | http://www.ttc.or.jp/j/document_list/free/3gpps2012/TS/TS-3GA-23.003(Rel7)v7.11.0.pdf |
| Release 8 | | | | | |
| CCSA | CCSA-TSD-TDD-23.003 | 8.15.0 | Published | Jun 12 | http://www.ccsa.org.cn/english/tc/files.php?docpath=/ITU-R/M.1457/M.1457-12/TDD |
| ETSI | ETSI TS 123 003 | 8.17.0 | Published | Jan 13 | http://www.etsi.org/deliver/etsi_ts/123000_123099/123003/08.17.00_60/ |
| TTC | TS-3GA-23.003(Rel8)v8.17.0 | 8.17.0 | Approved | Jun 13 | http://www.ttc.or.jp/j/document_list/free/3gpps2013/TS/TS-3GA-23.003(Rel8)v8.17.0.pdf |
| Release 9 | | | | | |
| ATIS | ATIS.3GPP.23.003V9110-2014 | 9.11.0 | Approved | May 14 | https://www.atis.org/docstore/default.aspx |
| CCSA | CCSA-TSD-TDD-23.003 | 9.9.0 | Published | Jun 12 | http://www.ccsa.org.cn/english/tc/files.php?docpath=/ITU-R/M.1457/M.1457-12/TDD |
| ETSI | ETSI TS 123 003 | 9.11.0 | Published | Jan 13 | http://www.etsi.org/deliver/etsi_ts/123000_123099/123003/09.11.00_60/ |
| TTC | TS-3GA-23.003(Rel9)v9.11.0 | 9.11.0 | Approved | Jun 13 | http://www.ttc.or.jp/j/document_list/free/3gpps2013/TS/TS-3GA-23.003(Rel9)v9.11.0.pdf |
| Release 10 | | | | | |
| ATIS | ATIS.3GPP.23.003V1060-2014 | 10.6.0 | Approved | May 14 | https://www.atis.org/docstore/default.aspx |
| CCSA | CCSA-TSD-TDD-23.003 | 10.4.0 | Published | Jun 12 | http://www.ccsa.org.cn/english/tc/files.php?docpath=/ITU-R/M.1457/M.1457-12/TDD |
| ETSI | ETSI TS 123 003 | 10.6.0 | Published | Jan 13 | http://www.etsi.org/deliver/etsi_ts/123000_123099/123003/10.06.00_60/ |
| TTC | TS-3GA-23.003(Rel10)v10.6.0 | 10.6.0 | Approved | Jun 13 | http://www.ttc.or.jp/j/document_list/free/3gpps2013/TS/TS-3GA-23.003(Rel10)v10.6.0.pdf |
| Release 11 | | | | | |
| ATIS | ATIS.3GPP.23.003V1150-2014 | 11.5.0 | Approved | May 14 | https://www.atis.org/docstore/default.aspx |
| CCSA | CCSA-TSD-TDD-23.003 | 11.8.0 | Published | Jun 14 | http://www.ccsa.org.cn/english/tc/files.php?docpath=/ITU-R/M.1457/M.1457-12/TDD |
| ETSI | ETSI TS 123 003 | 11.5.0 | Published | Apr 13 | http://www.etsi.org/deliver/etsi_ts/123000_123099/123003/11.05.00_60/ |
| TTC | TS-3GA-23.003(Rel11)v11.5.0 | 11.5.0 | Approved | Jun 13 | http://www.ttc.or.jp/j/document_list/free/3gpps2013/TS/TS-3GA-23.003(Rel11)v11.5.0.pdf |

5.3.2.12.3 TS 23.007

Restoration procedures

The data stored in location registers are automatically updated in normal operation; the main information stored in a location register defines the location of each mobile station and the subscriber data required to handle traffic for each mobile subscriber. The loss or corruption of these data will seriously degrade the service offered to mobile subscribers; it is therefore necessary to define procedures to limit the effects of failure of a location register, and to restore the location register data automatically. This document defines the necessary procedures.

| SDO (2) | Document No. | Version | Status | Issued date | Location (1) |
|-------------------|---------------------------|---------|-----------|-------------|---|
| Release 99 | | | | | |
| CCSA | CCSA-TSD-TDD-23.007 | 3.6.0 | Published | Jun 12 | http://www.ccsa.org.cn/english/tc/files.php?docpath=/ITU-R/M.1457/M.1457-12/TDD |
| ETSI | ETSI TS 123 007 | 3.6.0 | Published | Jan 04 | http://www.etsi.org/deliver/etsi_ts/123000_123099/123007/03.06.00_60/ |
| TTC | TS-3GA-23.007(R99)v3.6.0 | 3.6.0 | Approved | Feb 04 | http://www.ttc.or.jp/j/document_list/free/TS/TS-3GA-23.007(R99)v3.6.0.pdf |
| Release 4 | | | | | |
| CCSA | CCSA-TSD-TDD-23.007 | 4.2.0 | Published | Jun 12 | http://www.ccsa.org.cn/english/tc/files.php?docpath=/ITU-R/M.1457/M.1457-12/TDD |
| ETSI | ETSI TS 123 007 | 4.2.0 | Published | Jan 04 | http://www.etsi.org/deliver/etsi_ts/123000_123099/123007/04.02.00_60/ |
| TTC | TS-3GA-23.007(Rel4)v4.2.0 | 4.2.0 | Approved | Feb 04 | http://www.ttc.or.jp/j/document_list/free/TS/TS-3GA-23.007(Rel4)v4.2.0.pdf |
| Release 5 | | | | | |
| CCSA | CCSA-TSD-TDD-23.007 | 5.1.0 | Published | Jun 12 | http://www.ccsa.org.cn/english/tc/files.php?docpath=/ITU-R/M.1457/M.1457-12/TDD |
| ETSI | ETSI TS 123 007 | 5.1.0 | Published | Jan 04 | http://www.etsi.org/deliver/etsi_ts/123000_123099/123007/05.01.00_60/ |
| TTC | TS-3GA-23.007(Rel5)v5.1.0 | 5.1.0 | Approved | Feb 04 | http://www.ttc.or.jp/j/document_list/free/TS/TS-3GA-23.007(Rel5)v5.1.0.pdf |

Release 6

| | | | | | |
|------|---------------------------|-------|-----------|--------|---|
| CCSA | CCSA-TSD-TDD-23.007 | 6.2.0 | Published | Jun 12 | http://www.ccsa.org.cn/english/tc/files.php?docpath=/ITU-R/M.1457/M.1457-12/TDD |
| ETSI | ETSI TS 123 007 | 6.2.0 | Published | Jan 06 | http://www.etsi.org/deliver/etsi_ts/123000_123099/123007/06.02.00_60/ |
| TTC | TS-3GA-23.007(Rel6)v6.2.0 | 6.2.0 | Approved | Feb 06 | http://www.ttc.or.jp/j/document_list/free/TS/TS-3GA-23.007(Rel6)v6.2.0.pdf |

Release 7

| | | | | | |
|------|---------------------------|-------|-----------|--------|---|
| CCSA | CCSA-TSD-TDD-23.007 | 7.0.0 | Published | Jun 12 | http://www.ccsa.org.cn/english/tc/files.php?docpath=/ITU-R/M.1457/M.1457-12/TDD |
| ETSI | ETSI TS 123 007 | 7.0.0 | Published | Jul 07 | http://www.etsi.org/deliver/etsi_ts/123000_123099/123007/07.00.00_60/ |
| TTC | TS-3GA-23.007(Rel7)v7.0.0 | 7.0.0 | Approved | Mar 08 | http://www.ttc.or.jp/j/document_list/free/TS/TS-3GA-23.007(Rel7)v7.0.0.pdf |

Release 8

| | | | | | |
|------|---------------------------|-------|-----------|--------|---|
| CCSA | CCSA-TSD-TDD-23.007 | 8.9.0 | Published | Jun 12 | http://www.ccsa.org.cn/english/tc/files.php?docpath=/ITU-R/M.1457/M.1457-12/TDD |
| ETSI | ETSI TS 123 007 | 8.9.0 | Published | Jan 11 | http://www.etsi.org/deliver/etsi_ts/123000_123099/123007/08.09.00_60/ |
| TTC | TS-3GA-23.007(Rel8)v8.9.0 | 8.9.0 | Approved | Apr 11 | http://www.ttc.or.jp/j/document_list/free/3gpps2011/TS/TS-3GA-23.007(Rel8)v8.9.0.pdf |

Release 9

| | | | | | |
|------|----------------------------|--------|-----------|--------|---|
| ATIS | ATIS.3GPP.23.007V9100-2014 | 9.10.0 | Approved | May 14 | https://www.atis.org/docstore/default.aspx |
| CCSA | CCSA-TSD-TDD-23.007 | 9.10.0 | Published | Jun 12 | http://www.ccsa.org.cn/english/tc/files.php?docpath=/ITU-R/M.1457/M.1457-12/TDD |
| ETSI | ETSI TS 123 007 | 9.10.0 | Published | Jan 12 | http://www.etsi.org/deliver/etsi_ts/123000_123099/123007/09.10.00_60/ |
| TTC | TS-3GA-23.007(Rel9)v9.10.0 | 9.10.0 | Approved | Feb 12 | http://www.ttc.or.jp/j/document_list/free/3gpps2012/TS/TS-3GA-23.007(Rel9)v9.10.0.pdf |

Release 10

| | | | | | |
|------|-----------------------------|--------|-----------|--------|---|
| ATIS | ATIS.3GPP.23.007V1070-2014 | 10.7.0 | Approved | May 14 | https://www.atis.org/docstore/default.aspx |
| CCSA | CCSA-TSD-TDD-23.007 | 10.6.0 | Published | Jun 12 | http://www.ccsa.org.cn/english/tc/files.php?docpath=/ITU-R/M.1457/M.1457-12/TDD |
| ETSI | ETSI TS 123 007 | 10.7.0 | Published | Apr 12 | http://www.etsi.org/deliver/etsi_ts/123000_123099/123007/10.07.00_60/ |
| TTC | TS-3GA-23.007(Rel10)v10.7.0 | 10.7.0 | Approved | Jun 12 | http://www.ttc.or.jp/j/document_list/free/3gpps2012/TS/TS-3GA-23.007(Rel10)v10.7.0.pdf |

Release 11

| | | | | | |
|------|-----------------------------|--------|-----------|--------|---|
| ATIS | ATIS.3GPP.23.007V1150-2014 | 11.5.0 | Approved | May 14 | https://www.atis.org/docstore/default.aspx |
| CCSA | CCSA-TSD-TDD-23.007 | 11.8.0 | Published | Jun 14 | http://www.ccsa.org.cn/english/tc/files.php?docpath=/ITU-R/M.1457/M.1457-12/TDD |
| ETSI | ETSI TS 123 007 | 11.5.0 | Published | Apr 13 | http://www.etsi.org/deliver/etsi_ts/123000_123099/123007/11.05.00_60/ |
| TTC | TS-3GA-23.007(Rel11)v11.5.0 | 11.5.0 | Approved | Jun 13 | http://www.ttc.or.jp/j/document_list/free/3gpps2013/TS/TS-3GA-23.007(Rel11)v11.5.0.pdf |

5.3.2.12.4 TS 23.008**Organization of subscriber data**

This document provides details concerning information to be stored in home subscriber servers, visitor location registers, GPRS Support Nodes and Call Session Control Function (CSCF) concerning mobile subscriber.

| SDO (2) | Document No. | Version | Status | Issued date | Location (1) |
|-------------------|---------------------------|---------|-----------|-------------|---|
| Release 99 | | | | | |
| CCSA | CCSA-TSD-TDD-23.008 | 3.8.0 | Published | Jun 12 | http://www.ccsa.org.cn/english/tc/files.php?docpath=/ITU-R/M.1457/M.1457-12/TDD |
| ETSI | ETSI TS 123 008 | 3.8.0 | Published | Jul 03 | http://www.etsi.org/deliver/etsi_ts/123000_123099/123008/03.08.00_60/ |
| TTC | TS-3GA-23.008(R99)v3.8.0 | 3.8.0 | Approved | Aug 03 | http://www.ttc.or.jp/j/document_list/free/TS/TS-3GA-23.008(R99)v3.8.0.pdf |
| Release 4 | | | | | |
| CCSA | CCSA-TSD-TDD-23.008 | 4.3.0 | Published | Jun 12 | http://www.ccsa.org.cn/english/tc/files.php?docpath=/ITU-R/M.1457/M.1457-12/TDD |
| ETSI | ETSI TS 123 008 | 4.3.0 | Published | Jul 03 | http://www.etsi.org/deliver/etsi_ts/123000_123099/123008/04.03.00_60/ |
| TTC | TS-3GA-23.008(Rel4)v4.3.0 | 4.3.0 | Approved | Aug 03 | http://www.ttc.or.jp/j/document_list/free/TS/TS-3GA-23.008(Rel4)v4.3.0.pdf |

Release 5

| | | | | | |
|------|----------------------------|--------|-----------|--------|---|
| ATIS | ATIS.3GPP.23.060V5130-2007 | 5.13.0 | Approved | Oct 07 | https://www.atis.org/docstore/default.aspx |
| CCSA | CCSA-TSD-TDD-23.008 | 5.14.0 | Published | Jun 12 | http://www.ccsa.org.cn/english/tc/files.php?docpath=/ITU-R/M.1457/M.1457-12/TDD |
| ETSI | ETSI TS 123 008 | 5.14.0 | Published | Jan 10 | http://www.etsi.org/deliver/etsi_ts/123000_123099/123008/05.14.00_60/ |
| TTC | TS-3GA-23.008(Rel5)v5.14.0 | 5.14.0 | Approved | Apr 10 | http://www.ttc.or.jp/j/document_list/free/3gpps2010/TS/TS-3GA-23.008(Rel5)v5.14.0.pdf |

Release 6

| | | | | | |
|------|----------------------------|--------|-----------|--------|---|
| CCSA | CCSA-TSD-TDD-23.008 | 6.15.0 | Published | Jun 12 | http://www.ccsa.org.cn/english/tc/files.php?docpath=/ITU-R/M.1457/M.1457-12/TDD |
| ETSI | ETSI TS 123 008 | 6.15.0 | Published | Jan 10 | http://www.etsi.org/deliver/etsi_ts/123000_123099/123008/06.15.00_60/ |
| TTC | TS-3GA-23.008(Rel6)v6.15.0 | 6.15.0 | Approved | Apr 10 | http://www.ttc.or.jp/j/document_list/free/3gpps2010/TS/TS-3GA-23.008(Rel6)v6.15.0.pdf |

Release 7

| | | | | | |
|------|----------------------------|--------|-----------|--------|---|
| CCSA | CCSA-TSD-TDD-23.008 | 7.11.0 | Published | Jun 12 | http://www.ccsa.org.cn/english/tc/files.php?docpath=/ITU-R/M.1457/M.1457-12/TDD |
| ETSI | ETSI TS 123 008 | 7.11.0 | Published | Jan 10 | http://www.etsi.org/deliver/etsi_ts/123000_123099/123008/07.11.00_60/ |
| TTC | TS-3GA-23.008(Rel7)v7.11.0 | 7.11.0 | Approved | Apr 10 | http://www.ttc.or.jp/j/document_list/free/3gpps2010/TS/TS-3GA-23.008(Rel7)v7.11.0.pdf |

Release 8

| | | | | | |
|------|----------------------------|--------|-----------|--------|---|
| CCSA | CCSA-TSD-TDD-23.008 | 8.11.0 | Published | Jun 12 | http://www.ccsa.org.cn/english/tc/files.php?docpath=/ITU-R/M.1457/M.1457-12/TDD |
| ETSI | ETSI TS 123 008 | 8.13.0 | Published | Apr 13 | http://www.etsi.org/deliver/etsi_ts/123000_123099/123008/08.13.00_60/ |
| TTC | TS-3GA-23.008(Rel8)v8.13.0 | 8.13.0 | Approved | Jun 13 | http://www.ttc.or.jp/j/document_list/free/3gpps2013/TS/TS-3GA-23.008(Rel8)v8.13.0.pdf |

Release 9

| | | | | | |
|------|---------------------------|-------|-----------|--------|---|
| ATIS | ATIS.3GPP.23.008V970-2014 | 9.7.0 | Approved | May 14 | https://www.atis.org/docstore/default.aspx |
| CCSA | CCSA-TSD-TDD-23.008 | 9.5.0 | Published | Jun 12 | http://www.ccsa.org.cn/english/tc/files.php?docpath=/ITU-R/M.1457/M.1457-12/TDD |
| ETSI | ETSI TS 123 008 | 9.7.0 | Published | Apr 13 | http://www.etsi.org/deliver/etsi_ts/123000_123099/123008/09.07.00_60/ |
| TTC | TS-3GA-23.008(Rel9)v9.7.0 | 9.7.0 | Approved | Jun 13 | http://www.ttc.or.jp/j/document_list/free/3gpps2013/TS/TS-3GA-23.008(Rel9)v9.7.0.pdf |

Release 10

| | | | | | |
|------|-----------------------------|--------|-----------|--------|---|
| ATIS | ATIS.3GPP.23.008V1061-2014 | 10.6.1 | Approved | May 14 | https://www.atis.org/docstore/default.aspx |
| CCSA | CCSA-TSD-TDD-23.008 | 10.4.0 | Published | Jun 12 | http://www.ccsa.org.cn/english/tc/files.php?docpath=/ITU-R/M.1457/M.1457-12/TDD |
| ETSI | ETSI TS 123 008 | 10.6.1 | Published | May 13 | http://www.etsi.org/deliver/etsi_ts/123000_123099/123008/10.06.01_60/ |
| TTC | TS-3GA-23.008(Rel10)v10.6.0 | 10.6.0 | Approved | Jun 13 | http://www.ttc.or.jp/j/document_list/free/3gpps2013/TS/TS-3GA-23.008(Rel10)v10.6.0.pdf |

Release 11

| | | | | | |
|------|-----------------------------|---------|-----------|--------|---|
| ATIS | ATIS.3GPP.23.008V1170-2014 | 11.7.0 | Approved | May 14 | https://www.atis.org/docstore/default.aspx |
| CCSA | CCSA-TSD-TDD-23.008 | 11.10.0 | Published | Jun 14 | http://www.ccsa.org.cn/english/tc/files.php?docpath=/ITU-R/M.1457/M.1457-12/TDD |
| ETSI | ETSI TS 123 008 | 11.7.0 | Published | Apr 13 | http://www.etsi.org/deliver/etsi_ts/123000_123099/123008/11.07.00_60/ |
| TTC | TS-3GA-23.008(Rel11)v11.7.0 | 11.7.0 | Approved | Jun 13 | http://www.ttc.or.jp/j/document_list/free/3gpps2013/TS/TS-3GA-23.008(Rel11)v11.7.0.pdf |

5.3.2.12.5 TS 23.009**Handover procedures**

This document contains a detailed description of the handover procedures to be used in PLMNs. The purpose of the handover procedures are to ensure that the connection to the Mobile Station (MS) or User Equipment (UE) is maintained as it moves from one cell or radio network to another. The document defines the circuit switched handover functionality based on the service requirements in 3GPP TS 22.129. For the circuit switched handover functionality related to SRVCC, it is based on the service requirements in 3GPP TS 23.216.

| SDO (2) | Document No. | Version | Status | Issued date | Location (1) |
|---------|--------------|---------|--------|-------------|--------------|
|---------|--------------|---------|--------|-------------|--------------|

Release 99

| | | | | | |
|------|---------------------------|--------|-----------|--------|---|
| CCSA | CCSA-TSD-TDD-23.009 | 3.14.0 | Published | Jun 12 | http://www.ccsa.org.cn/english/tc/files.php?docpath=/ITU-R/M.1457/M.1457-12/TDD |
| ETSI | ETSI TS 123 009 | 3.14.0 | Published | Jul 03 | http://www.etsi.org/deliver/etsi_ts/123000_123099/123009/03.14.00_60/ |
| TTC | TS-3GA-23.009(R99)v3.14.0 | 3.14.0 | Approved | Aug 03 | http://www.ttc.or.jp/j/document_list/free/TS/TS-3GA-23.009(R99)v3.14.0.pdf |

Release 4

| | | | | | |
|------|---------------------------|-------|-----------|--------|---|
| CCSA | CCSA-TSD-TDD-23.009 | 4.9.0 | Published | Jun 12 | http://www.ccsa.org.cn/english/tc/files.php?docpath=/ITU-R/M.1457/M.1457-12/TDD |
| ETSI | ETSI TS 123 009 | 4.9.0 | Published | Jan 04 | http://www.etsi.org/deliver/etsi_ts/123000_123099/123009/04.09.00_60/ |
| TTC | TS-3GA-23.009(Rel4)v4.9.0 | 4.9.0 | Approved | Feb 04 | http://www.ttc.or.jp/j/document_list/free/TS/TS-3GA-23.009(Rel4)v4.9.0.pdf |

Release 5

| | | | | | |
|------|----------------------------|--------|-----------|--------|---|
| CCSA | CCSA-TSD-TDD-23.009 | 5.12.0 | Published | Jun 12 | http://www.ccsa.org.cn/english/tc/files.php?docpath=/ITU-R/M.1457/M.1457-12/TDD |
| ETSI | ETSI TS 123 009 | 5.12.0 | Published | Jan 09 | http://www.etsi.org/deliver/etsi_ts/123000_123099/123009/05.12.00_60/ |
| TTC | TS-3GA-23.009(Rel5)v5.12.0 | 5.12.0 | Approved | Feb 09 | http://www.ttc.or.jp/j/document_list/free/3gpps2009/TS/TS-3GA-23.009(Rel5)v5.12.0.pdf |

Release 6

| | | | | | |
|------|---------------------------|-------|-----------|--------|---|
| CCSA | CCSA-TSD-TDD-23.009 | 6.5.0 | Published | Jun 12 | http://www.ccsa.org.cn/english/tc/files.php?docpath=/ITU-R/M.1457/M.1457-12/TDD |
| ETSI | ETSI TS 123 009 | 6.5.0 | Published | Jan 09 | http://www.etsi.org/deliver/etsi_ts/123000_123099/123009/06.05.00_60/ |
| TTC | TS-3GA-23.009(Rel6)v6.5.0 | 6.5.0 | Approved | Feb 09 | http://www.ttc.or.jp/j/document_list/free/3gpps2009/TS/TS-3GA-23.009(Rel6)v6.5.0.pdf |

Release 7

| | | | | | |
|------|---------------------------|-------|-----------|--------|---|
| CCSA | CCSA-TSD-TDD-23.009 | 7.1.1 | Published | Jun 12 | http://www.ccsa.org.cn/english/tc/files.php?docpath=/ITU-R/M.1457/M.1457-12/TDD |
| ETSI | ETSI TS 123 009 | 7.1.1 | Published | Jan 09 | http://www.etsi.org/deliver/etsi_ts/123000_123099/123009/07.01.01_60/ |
| TTC | TS-3GA-23.009(Rel7)v7.1.0 | 7.1.0 | Approved | Feb 09 | http://www.ttc.or.jp/j/document_list/free/3gpps2009/TS/TS-3GA-23.009(Rel7)v7.1.0.pdf |

Release 8

| | | | | | |
|------|---------------------------|-------|-----------|--------|---|
| CCSA | CCSA-TSD-TDD-23.009 | 8.2.0 | Published | Jun 12 | http://www.ccsa.org.cn/english/tc/files.php?docpath=/ITU-R/M.1457/M.1457-12/TDD |
| ETSI | ETSI TS 123 009 | 8.3.0 | Published | Jan 13 | http://www.etsi.org/deliver/etsi_ts/123000_123099/123009/08.03.00_60/ |
| TTC | TS-3GA-23.009(Rel8)v8.3.0 | 8.3.0 | Approved | Jun 13 | http://www.ttc.or.jp/j/document_list/free/3gpps2013/TS/TS-3GA-23.009(Rel8)v8.3.0.pdf |

Release 9

| | | | | | |
|------|---------------------------|-------|-----------|--------|---|
| CCSA | CCSA-TSD-TDD-23.009 | 9.2.0 | Published | Jun 12 | http://www.ccsa.org.cn/english/tc/files.php?docpath=/ITU-R/M.1457/M.1457-12/TDD |
| ETSI | ETSI TS 123 009 | 9.4.0 | Published | Jan 13 | http://www.etsi.org/deliver/etsi_ts/123000_123099/123009/09.04.00_60/ |
| TTC | TS-3GA-23.009(Rel9)v9.4.0 | 9.4.0 | Approved | Jun 13 | http://www.ttc.or.jp/j/document_list/free/3gpps2013/TS/TS-3GA-23.009(Rel9)v9.4.0.pdf |

Release 10

| | | | | | |
|------|-----------------------------|--------|-----------|--------|---|
| ATIS | ATIS.3GPP.23.009V1020-2014 | 10.2.0 | Approved | May 14 | https://www.atis.org/docstore/default.aspx |
| CCSA | CCSA-TSD-TDD-23.009 | 10.0.0 | Published | Jun 12 | http://www.ccsa.org.cn/english/tc/files.php?docpath=/ITU-R/M.1457/M.1457-12/TDD |
| ETSI | ETSI TS 123 009 | 10.2.0 | Published | Jan 13 | http://www.etsi.org/deliver/etsi_ts/123000_123099/123009/10.02.00_60/ |
| TTC | TS-3GA-23.009(Rel10)v10.2.0 | 10.2.0 | Approved | Jun 13 | http://www.ttc.or.jp/j/document_list/free/3gpps2013/TS/TS-3GA-23.009(Rel10)v10.2.0.pdf |

Release 11

| | | | | | |
|------|-----------------------------|--------|-----------|--------|---|
| ATIS | ATIS.3GPP.23.009V1120-2014 | 11.2.0 | Approved | May 14 | https://www.atis.org/docstore/default.aspx |
| CCSA | CCSA-TSD-TDD-23.009 | 11.2.0 | Published | Jun 14 | http://www.ccsa.org.cn/english/tc/files.php?docpath=/ITU-R/M.1457/M.1457-12/TDD |
| ETSI | ETSI TS 123 009 | 11.2.0 | Published | Jan 13 | http://www.etsi.org/deliver/etsi_ts/123000_123099/123009/11.02.00_60/ |
| TTC | TS-3GA-23.009(Rel11)v11.2.0 | 11.2.0 | Approved | Jun 13 | http://www.ttc.or.jp/j/document_list/free/3gpps2013/TS/TS-3GA-23.009(Rel11)v11.2.0.pdf |

5.3.2.12.6 TS 23.011**Technical realization of Supplementary Services**

This document describes the general aspects on how supplementary services in the 3GPP system are realised from a technical point of view. Description of

technical realisation for specific supplementary services can be found in 3GPP TS 23.072.

All supplementary services may require signalling on the radio path. For some supplementary services information needs to be transferred between the Home Location Register (HLR), the Visitor Location Register (VLR), the Mobile services Switching Centre (MSC) and the Serving GPRS Support Node (SGSN). Signalling procedures for such information transfer are defined in 3GPP TS 29.002.

| SDO (2) | Document No. | Version | Status | Issued date | Location (1) |
|-------------------|-----------------------------|---------|-----------|-------------|---|
| Release 99 | | | | | |
| TTC | JP-3GA-23.011(R99) | 3.1.0 | Approved | May 01 | http://www.ttc.or.jp/j/document_list/pdf/j/STD/JP-3GA-23.011(R99)v3.pdf |
| Release 4 | | | | | |
| CCSA | CCSA-TSD-TDD-23.011 | 4.0.1 | Published | Jun 14 | http://www.ccsa.org.cn/english/tc/files.php?docpath=/ITU-R/M.1457/M.1457-12/TDD |
| TTC | TS-3GA-23.011(Rel4)v4.0.0 | 4.0.0 | Approved | May 01 | http://www.ttc.or.jp/j/document_list/free/TS/TS-3GA-23.011(Rel4)v4.0.0.pdf |
| Release 5 | | | | | |
| CCSA | CCSA-TSD-TDD-23.011 | 5.0.0 | Published | Jun 14 | http://www.ccsa.org.cn/english/tc/files.php?docpath=/ITU-R/M.1457/M.1457-12/TDD |
| TTC | TS-3GA-23.011(Rel5)v5.0.0 | 5.0.0 | Approved | Aug 02 | http://www.ttc.or.jp/j/document_list/free/TS/TS-3GA-23.011(Rel5)v5.0.0.pdf |
| Release 6 | | | | | |
| CCSA | CCSA-TSD-TDD-23.011 | 6.0.0 | Published | Jun 14 | http://www.ccsa.org.cn/english/tc/files.php?docpath=/ITU-R/M.1457/M.1457-12/TDD |
| TTC | TS-3GA-23.011(Rel6)v6.0.0 | 6.0.0 | Approved | Mar 05 | http://www.ttc.or.jp/j/document_list/free/TS/TS-3GA-23.011(Rel6)v6.0.0.pdf |
| Release 7 | | | | | |
| CCSA | CCSA-TSD-TDD-23.011 | 7.0.0 | Published | Jun 14 | http://www.ccsa.org.cn/english/tc/files.php?docpath=/ITU-R/M.1457/M.1457-12/TDD |
| TTC | TS-3GA-23.011(Rel7)v7.0.0 | 7.0.0 | Approved | Mar 08 | http://www.ttc.or.jp/j/document_list/free/TS/TS-3GA-23.011(Rel7)v7.0.0.pdf |
| Release 8 | | | | | |
| CCSA | CCSA-TSD-TDD-23.011 | 8.0.0 | Published | Jun 14 | http://www.ccsa.org.cn/english/tc/files.php?docpath=/ITU-R/M.1457/M.1457-12/TDD |
| TTC | TS-3GA-23.011(Rel8)v8.0.0 | 8.0.0 | Approved | Feb 09 | http://www.ttc.or.jp/j/document_list/free/3gpps2009/TS/TS-3GA-23.011(Rel8)v8.0.0.pdf |
| Release 9 | | | | | |
| CCSA | CCSA-TSD-TDD-23.011 | 9.0.0 | Published | Jun 14 | http://www.ccsa.org.cn/english/tc/files.php?docpath=/ITU-R/M.1457/M.1457-12/TDD |
| TTC | TS-3GA-23.011(Rel9)v9.0.0 | 9.0.0 | Approved | Jul 10 | http://www.ttc.or.jp/j/document_list/free/3gpps2010/TS/TS-3GA-23.011(Rel9)v9.0.0.pdf |
| Release 10 | | | | | |
| CCSA | CCSA-TSD-TDD-23.011 | 10.0.0 | Published | Jun 14 | http://www.ccsa.org.cn/english/tc/files.php?docpath=/ITU-R/M.1457/M.1457-12/TDD |
| TTC | TS-3GA-23.011(Rel10)v10.0.0 | 10.0.0 | Approved | Jun 11 | http://www.ttc.or.jp/j/document_list/free/3gpps2011/TS/TS-3GA-23.011(Rel10)v10.0.0.pdf |
| Release 11 | | | | | |
| ATIS | ATIS.3GPP.23.011V1100-2014 | 11.0.0 | Approved | May 14 | https://www.atis.org/docstore/default.aspx |
| CCSA | CCSA-TSD-TDD-23.011 | 11.0.0 | Published | Jun 14 | http://www.ccsa.org.cn/english/tc/files.php?docpath=/ITU-R/M.1457/M.1457-12/TDD |
| TTC | TS-3GA-23.011(Rel11)v11.0.0 | 11.0.0 | Approved | Jun 13 | http://www.ttc.or.jp/j/document_list/free/3gpps2013/TS/TS-3GA-23.011(Rel11)v11.0.0.pdf |

5.3.2.12.7 TS 23.018

Basic call handling; Technical realization

This document specifies the technical realization of the handling of calls originated by a UMTS or GSM mobile subscriber and calls directed to a UMTS or GSM mobile subscriber, up to the point where the call is established. Normal release of the call after establishment is also specified. Trunk Originated call is also modelled.

| SDO (2) | Document No. | Version | Status | Issued date | Location (1) |
|-------------------|-----------------------------|---------|-----------|-------------|---|
| Release 99 | | | | | |
| CCSA | CCSA-TSD-TDD-23.018 | 3.12.0 | Published | Jun 12 | http://www.ccsa.org.cn/english/tc/files.php?docpath=/ITU-R/M.1457/M.1457-12/TDD |
| ETSI | ETSI TS 123 018 | 3.12.0 | Published | Apr 03 | http://www.etsi.org/deliver/etsi_ts/123000_123099/123018/03.12.00_60/ |
| TTC | TS-3GA-23.018(R99)v3.12.0 | 3.12.0 | Approved | May 03 | http://www.ttc.or.jp/j/document_list/free/TS/TS-3GA-23.018(R99)v3.12.0.pdf |
| Release 4 | | | | | |
| CCSA | CCSA-TSD-TDD-23.018 | 4.7.0 | Published | Jun 12 | http://www.ccsa.org.cn/english/tc/files.php?docpath=/ITU-R/M.1457/M.1457-12/TDD |
| ETSI | ETSI TS 123 018 | 4.7.0 | Published | Apr 03 | http://www.etsi.org/deliver/etsi_ts/123000_123099/123018/04.07.00_60/ |
| TTC | TS-3GA-23.018(Rel4)v4.7.0 | 4.7.0 | Approved | May 03 | http://www.ttc.or.jp/j/document_list/free/TS/TS-3GA-23.018(Rel4)v4.7.0.pdf |
| Release 5 | | | | | |
| CCSA | CCSA-TSD-TDD-23.018 | 5.10.0 | Published | Jun 12 | http://www.ccsa.org.cn/english/tc/files.php?docpath=/ITU-R/M.1457/M.1457-12/TDD |
| ETSI | ETSI TS 123 018 | 5.10.0 | Published | Oct 06 | http://www.etsi.org/deliver/etsi_ts/123000_123099/123018/05.10.00_60/ |
| TTC | TS-3GA-23.018(Rel5)v5.10.0 | 5.10.0 | Approved | Mar 07 | http://www.ttc.or.jp/j/document_list/free/TS/TS-3GA-23.018(Rel5)v5.10.0.pdf |
| Release 6 | | | | | |
| CCSA | CCSA-TSD-TDD-23.018 | 6.6.0 | Published | Jun 12 | http://www.ccsa.org.cn/english/tc/files.php?docpath=/ITU-R/M.1457/M.1457-12/TDD |
| ETSI | ETSI TS 123 018 | 6.6.0 | Published | Oct 06 | http://www.etsi.org/deliver/etsi_ts/123000_123099/123018/06.06.00_60/ |
| TTC | TS-3GA-23.018(Rel6)v6.6.0 | 6.6.0 | Approved | Mar 07 | http://www.ttc.or.jp/j/document_list/free/TS/TS-3GA-23.018(Rel6)v6.6.0.pdf |
| Release 7 | | | | | |
| CCSA | CCSA-TSD-TDD-23.018 | 7.7.0 | Published | Jun 12 | http://www.ccsa.org.cn/english/tc/files.php?docpath=/ITU-R/M.1457/M.1457-12/TDD |
| ETSI | ETSI TS 123 018 | 7.7.0 | Published | Oct 08 | http://www.etsi.org/deliver/etsi_ts/123000_123099/123018/07.07.00_60/ |
| TTC | TS-3GA-23.018(Rel7)v7.7.0 | 7.7.0 | Approved | Feb 09 | http://www.ttc.or.jp/j/document_list/free/3gpps2009/TS/TS-3GA-23.018(Rel7)v7.7.0.pdf |
| Release 8 | | | | | |
| CCSA | CCSA-TSD-TDD-23.018 | 8.5.0 | Published | Jun 12 | http://www.ccsa.org.cn/english/tc/files.php?docpath=/ITU-R/M.1457/M.1457-12/TDD |
| ETSI | ETSI TS 123 018 | 8.5.0 | Published | Jan 12 | http://www.etsi.org/deliver/etsi_ts/123000_123099/123018/08.05.00_60/ |
| TTC | TS-3GA-23.018(Rel8)v8.5.0 | 8.5.0 | Approved | Feb 12 | http://www.ttc.or.jp/j/document_list/free/3gpps2012/TS/TS-3GA-23.018(Rel8)v8.5.0.pdf |
| Release 9 | | | | | |
| ATIS | ATIS.3GPP.23.018V940-2014 | 9.4.0 | Approved | May 14 | https://www.atis.org/docstore/default.aspx |
| CCSA | CCSA-TSD-TDD-23.018 | 9.4.0 | Published | Jun 12 | http://www.ccsa.org.cn/english/tc/files.php?docpath=/ITU-R/M.1457/M.1457-12/TDD |
| ETSI | ETSI TS 123 018 | 9.4.0 | Published | Jan 12 | http://www.etsi.org/deliver/etsi_ts/123000_123099/123018/09.04.00_60/ |
| TTC | TS-3GA-23.018(Rel9)v9.4.0 | 9.4.0 | Approved | Feb 12 | http://www.ttc.or.jp/j/document_list/free/3gpps2012/TS/TS-3GA-23.018(Rel9)v9.4.0.pdf |
| Release 10 | | | | | |
| ATIS | ATIS.3GPP.23.018V1040-2014 | 10.4.0 | Approved | May 14 | https://www.atis.org/docstore/default.aspx |
| CCSA | CCSA-TSD-TDD-23.018 | 10.3.0 | Published | Jun 12 | http://www.ccsa.org.cn/english/tc/files.php?docpath=/ITU-R/M.1457/M.1457-12/TDD |
| ETSI | ETSI TS 123 018 | 10.4.0 | Published | Apr 13 | http://www.etsi.org/deliver/etsi_ts/123000_123099/123018/10.04.00_60/ |
| TTC | TS-3GA-23.018(Rel10)v10.4.0 | 10.4.0 | Approved | Jun 13 | http://www.ttc.or.jp/j/document_list/free/3gpps2013/TS/TS-3GA-23.018(Rel10)v10.4.0.pdf |
| Release 11 | | | | | |
| ATIS | ATIS.3GPP.23.018V1140-2014 | 11.4.0 | Approved | May 14 | https://www.atis.org/docstore/default.aspx |
| CCSA | CCSA-TSD-TDD-23.018 | 11.4.0 | Published | Jun 14 | http://www.ccsa.org.cn/english/tc/files.php?docpath=/ITU-R/M.1457/M.1457-12/TDD |
| ETSI | ETSI TS 123 018 | 11.4.0 | Published | Apr 13 | http://www.etsi.org/deliver/etsi_ts/123000_123099/123018/11.04.00_60/ |
| TTC | TS-3GA-23.018(Rel11)v11.4.0 | 11.4.0 | Approved | Jun 13 | http://www.ttc.or.jp/j/document_list/free/3gpps2013/TS/TS-3GA-23.018(Rel11)v11.4.0.pdf |

5.3.2.12.8 TS 23.034

High Speed Circuit Switched Data (HSCSD); Stage 2

This document contains the stage 2 service description for a High Speed Circuit Switched Data (HSCSD) on GSM/GERAN in A/Gb mode and Iu mode. HSCSD utilizes the multislot mechanism, i.e. using multiple traffic channels (/bearers) for the communication. Additionally, this document specifies some HSCSD related requirements for multi system mobile stations operating in UTRAN Iu mode. In UTRAN Iu mode one bearer can provide all needed data rates, and the multislot mechanism is therefore not needed. However, for inter-system handover to GERAN, certain information has to be provided by the mobile station during the service negotiation.

| SDO (2) | Document No. | Version | Status | Issued date | Location (1) |
|-------------------|-----------------------------|---------|-----------|-------------|---|
| Release 99 | | | | | |
| CCSA | CCSA-TSD-TDD-23.034 | 3.3.0 | Published | Jun 12 | http://www.ccsa.org.cn/english/tc/files.php?docpath=/ITU-R/M.1457/M.1457-12/TDD |
| ETSI | ETSI TS 123 034 | 3.3.0 | Published | Feb 01 | http://www.etsi.org/deliver/etsi_ts/123000_123099/123034/03.03.00_60/ |
| TTC | JP-3GA-23.034(R99) | 3.3.0 | Approved | May 01 | http://www.ttc.or.jp/j/document_list/pdf/j/STD/JP-3GA-23.034(R99)v3.pdf |
| Release 4 | | | | | |
| CCSA | CCSA-TSD-TDD-23.034 | 4.0.0 | Published | Jun 12 | http://www.ccsa.org.cn/english/tc/files.php?docpath=/ITU-R/M.1457/M.1457-12/TDD |
| ETSI | ETSI TS 123 034 | 4.0.0 | Published | Apr 01 | http://www.etsi.org/deliver/etsi_ts/123000_123099/123034/04.00.00_60/ |
| TTC | TS-3GA-23.034(Rel4)v4.0.0 | 4.0.0 | Approved | May 01 | http://www.ttc.or.jp/j/document_list/free/TS/TS-3GA-23.034(Rel4)v4.0.0.pdf |
| Release 5 | | | | | |
| CCSA | CCSA-TSD-TDD-23.034 | 5.2.0 | Published | Jun 12 | http://www.ccsa.org.cn/english/tc/files.php?docpath=/ITU-R/M.1457/M.1457-12/TDD |
| ETSI | ETSI TS 123 034 | 5.2.0 | Published | Apr 03 | http://www.etsi.org/deliver/etsi_ts/123000_123099/123034/05.02.00_60/ |
| TTC | TS-3GA-23.034(Rel5)v5.2.0 | 5.2.0 | Approved | May 03 | http://www.ttc.or.jp/j/document_list/free/TS/TS-3GA-23.034(Rel5)v5.2.0.pdf |
| Release 6 | | | | | |
| CCSA | CCSA-TSD-TDD-23.034 | 6.0.0 | Published | Jun 12 | http://www.ccsa.org.cn/english/tc/files.php?docpath=/ITU-R/M.1457/M.1457-12/TDD |
| ETSI | ETSI TS 123 034 | 6.0.0 | Published | Jan 05 | http://www.etsi.org/deliver/etsi_ts/123000_123099/123034/06.00.00_60/ |
| TTC | TS-3GA-23.034(Rel6)v6.0.0 | 6.0.0 | Approved | Mar 05 | http://www.ttc.or.jp/j/document_list/free/TS/TS-3GA-23.034(Rel6)v6.0.0.pdf |
| Release 7 | | | | | |
| CCSA | CCSA-TSD-TDD-23.034 | 7.0.0 | Published | Jun 12 | http://www.ccsa.org.cn/english/tc/files.php?docpath=/ITU-R/M.1457/M.1457-12/TDD |
| ETSI | ETSI TS 123 034 | 7.0.0 | Published | Jul 07 | http://www.etsi.org/deliver/etsi_ts/123000_123099/123034/07.00.00_60/ |
| TTC | TS-3GA-23.034(Rel7)v7.0.0 | 7.0.0 | Approved | Mar 08 | http://www.ttc.or.jp/j/document_list/free/TS/TS-3GA-23.034(Rel7)v7.0.0.pdf |
| Release 8 | | | | | |
| CCSA | CCSA-TSD-TDD-23.034 | 8.0.0 | Published | Jun 12 | http://www.ccsa.org.cn/english/tc/files.php?docpath=/ITU-R/M.1457/M.1457-12/TDD |
| ETSI | ETSI TS 123 034 | 8.0.0 | Published | Jan 09 | http://www.etsi.org/deliver/etsi_ts/123000_123099/123034/08.00.00_60/ |
| TTC | TS-3GA-23.034(Rel8)v8.0.0 | 8.0.0 | Approved | Feb 09 | http://www.ttc.or.jp/j/document_list/free/3gpps2009/TS/TS-3GA-23.034(Rel8)v8.0.0.pdf |
| Release 9 | | | | | |
| CCSA | CCSA-TSD-TDD-23.034 | 9.0.0 | Published | Jun 12 | http://www.ccsa.org.cn/english/tc/files.php?docpath=/ITU-R/M.1457/M.1457-12/TDD |
| ETSI | ETSI TS 123 034 | 9.0.0 | Published | Jan 10 | http://www.etsi.org/deliver/etsi_ts/123000_123099/123034/09.00.00_60/ |
| TTC | TS-3GA-23.034(Rel9)v9.0.0 | 9.0.0 | Approved | Jul 10 | http://www.ttc.or.jp/j/document_list/free/3gpps2010/TS/TS-3GA-23.034(Rel9)v9.0.0.pdf |
| Release 10 | | | | | |
| ATIS | ATIS.3GPP.23.034V1000-2012 | 10.0.0 | Approved | Jul 12 | https://www.atis.org/docstore/default.aspx |
| CCSA | CCSA-TSD-TDD-23.034 | 10.0.0 | Published | Jun 12 | http://www.ccsa.org.cn/english/tc/files.php?docpath=/ITU-R/M.1457/M.1457-12/TDD |
| ETSI | ETSI TS 123 034 | 10.0.0 | Published | Mar 11 | http://www.etsi.org/deliver/etsi_ts/123000_123099/123034/10.00.00_60/ |
| TTC | TS-3GA-23.034(Rel10)v10.0.0 | 10.0.0 | Approved | Jun 11 | http://www.ttc.or.jp/j/document_list/free/3gpps2011/TS/TS-3GA-23.034(Rel10)v10.0.0.pdf |
| Release 11 | | | | | |

| | | | | | |
|------|-----------------------------|--------|-----------|--------|---|
| ATIS | ATIS.3GPP.23.034V1100-2014 | 11.0.0 | Approved | May 14 | https://www.atis.org/docstore/default.aspx |
| CCSA | CCSA-TSD-TDD-23.034 | 11.0.0 | Published | Jun 14 | http://www.ccsa.org.cn/english/tc/files.php?docpath=/ITU-R/M.1457/M.1457-12/TDD |
| ETSI | ETSI TS 123 034 | 11.0.0 | Published | Oct 12 | http://www.etsi.org/deliver/etsi_ts/123000_123099/123034/11.00.00_60/ |
| TTC | TS-3GA-23.034(Rel11)v11.0.0 | 11.0.0 | Approved | Jun 13 | http://www.ttc.or.jp/j/document_list/free/3gpps2013/TS/TS-3GA-23.034(Rel11)v11.0.0.pdf |

5.3.2.12.9 TS 23.038

Alphabets and language-specific information

This document defines the character sets, languages and message handling requirements for SMS, CBS and USSD and may additionally be used for Man Machine Interface (MMI) (3GPP TS 22.030).

| SDO (2) | Document No. | Version | Status | Issued date | Location (1) |
|-------------------|---------------------------|---------|-----------|-------------|---|
| Release 99 | | | | | |
| ARIB | ARIB STD-T63-23.038 | 3.3.0 | Approved | Jul 13 | http://www.arib.or.jp/english/html/overview/doc/STD-T63v10_00/2_T63/ARIB-STD-T63/R99/23/A23038-330.pdf |
| ATIS | T1.3GPP.23.038V330-2002 | 3.3.0 | Approved | May 02 | https://www.atis.org/docstore/default.aspx |
| CCSA | CCSA-TSD-TDD-23.038 | 3.3.0 | Published | Feb 00 | http://www.ccsa.org.cn/english/tc/files.php?docpath=/ITU-R/M.1457/M.1457-12/TDD |
| ETSI | ETSI TS 123 038 | 3.3.0 | Published | Feb 00 | http://www.etsi.org/deliver/etsi_ts/123000_123099/123038/03.03.00_60/ |
| Release 4 | | | | | |
| ARIB | ARIB STD-T63-23.038 | 4.5.0 | Approved | Jul 13 | http://www.arib.or.jp/english/html/overview/doc/STD-T63v10_00/2_T63/ARIB-STD-T63/Rel4/23/A23038-450.pdf |
| ATIS | ATIS.3GPP.23.038V450-2005 | 4.5.0 | Approved | Apr 05 | https://www.atis.org/docstore/default.aspx |
| CCSA | CCSA-TSD-TDD-23.038 | 4.5.0 | Published | Oct 04 | http://www.ccsa.org.cn/english/tc/files.php?docpath=/ITU-R/M.1457/M.1457-12/TDD |
| ETSI | ETSI TS 123 038 | 4.5.0 | Published | Oct 04 | http://www.etsi.org/deliver/etsi_ts/123000_123099/123038/04.05.00_60/ |
| Release 5 | | | | | |
| ARIB | ARIB STD-T63-23.038 | 5.1.0 | Approved | Jul 13 | http://www.arib.or.jp/english/html/overview/doc/STD-T63v10_00/2_T63/ARIB-STD-T63/Rel5/23/A23038-510.pdf |
| ATIS | ATIS.3GPP.23.038V510-2005 | 5.1.0 | Approved | Apr 05 | https://www.atis.org/docstore/default.aspx |
| CCSA | CCSA-TSD-TDD-23.038 | 5.1.0 | Published | Oct 04 | http://www.ccsa.org.cn/english/tc/files.php?docpath=/ITU-R/M.1457/M.1457-12/TDD |
| ETSI | ETSI TS 123 038 | 5.1.0 | Published | Oct 04 | http://www.etsi.org/deliver/etsi_ts/123000_123099/123038/05.01.00_60/ |
| Release 6 | | | | | |
| ARIB | ARIB STD-T63-23.038 | 6.1.0 | Approved | Jul 13 | http://www.arib.or.jp/english/html/overview/doc/STD-T63v10_00/2_T63/ARIB-STD-T63/Rel6/23/A23038-610.pdf |
| ATIS | ATIS.3GPP.23.038V610-2005 | 6.1.0 | Approved | Apr 05 | https://www.atis.org/docstore/default.aspx |
| CCSA | CCSA-TSD-TDD-23.038 | 6.1.0 | Published | Jan 05 | http://www.ccsa.org.cn/english/tc/files.php?docpath=/ITU-R/M.1457/M.1457-12/TDD |
| ETSI | ETSI TS 123 038 | 6.1.0 | Published | Jan 05 | http://www.etsi.org/deliver/etsi_ts/123000_123099/123038/06.01.00_60/ |
| Release 7 | | | | | |
| ARIB | ARIB STD-T63-23.038 | 7.0.0 | Approved | Jul 13 | http://www.arib.or.jp/english/html/overview/doc/STD-T63v10_00/2_T63/ARIB-STD-T63/Rel7/23/A23038-700.pdf |
| ATIS | ATIS.3GPP.23.038V700-2007 | 7.0.0 | Approved | Oct 07 | https://www.atis.org/docstore/default.aspx |
| CCSA | CCSA-TSD-TDD-23.038 | 7.0.0 | Published | Apr 07 | http://www.ccsa.org.cn/english/tc/files.php?docpath=/ITU-R/M.1457/M.1457-12/TDD |
| ETSI | ETSI TS 123 038 | 7.0.0 | Published | Apr 07 | http://www.etsi.org/deliver/etsi_ts/123000_123099/123038/07.00.00_60/ |
| Release 8 | | | | | |
| ARIB | ARIB STD-T63-23.038 | 8.3.0 | Approved | Jul 13 | http://www.arib.or.jp/english/html/overview/doc/STD-T63v10_00/2_T63/ARIB-STD-T63/Rel8/23/A23038-830.pdf |
| ATIS | ATIS.3GPP.23.038V830-2010 | 8.3.0 | Approved | Jul 10 | https://www.atis.org/docstore/default.aspx |
| CCSA | CCSA-TSD-TDD-23.038 | 8.3.0 | Published | Mar 10 | http://www.ccsa.org.cn/english/tc/files.php?docpath=/ITU-R/M.1457/M.1457-12/TDD |
| ETSI | ETSI TS 123 038 | 8.3.0 | Published | Jan 10 | http://www.etsi.org/deliver/etsi_ts/123000_123099/123038/08.03.00_60/ |
| Release 9 | | | | | |

| | | | | | |
|-------------------|----------------------------|--------|-----------|--------|---|
| ARIB | ARIB STD-T63-23.038 | 9.1.1 | Approved | Jul 13 | http://www.arib.or.jp/english/html/overview/doc/STD-T63v10_00/2_T63/ARIB-STD-T63/Rel9/23/A23038-911.pdf |
| ATIS | ATIS.3GPP.23.038V911-2010 | 9.1.1 | Approved | Jul 10 | https://www.atis.org/docstore/default.aspx |
| CCSA | CCSA-TSD-TDD-23.038 | 9.1.1 | Published | Mar 10 | http://www.ccsa.org.cn/english/tc/files.php?docpath=/ITU-R/M.1457/M.1457-12/TDD |
| ETSI | ETSI TS 123 038 | 9.1.1 | Published | Feb 10 | http://www.etsi.org/deliver/etsi_ts/123000_123099/123038/09.01.01_60/ |
| Release 10 | | | | | |
| ARIB | ARIB STD-T63-23.038 | 10.0.0 | Approved | Jul 13 | http://www.arib.or.jp/english/html/overview/doc/STD-T63v10_00/2_T63/ARIB-STD-T63/Rel10/23/A23038-a00.pdf |
| ATIS | ATIS.3GPP.23.038V1000-2012 | 10.0.0 | Approved | Jul 12 | https://www.atis.org/docstore/default.aspx |
| CCSA | CCSA-TSD-TDD-23.038 | 10.0.0 | Published | Jun 12 | http://www.ccsa.org.cn/english/tc/files.php?docpath=/ITU-R/M.1457/M.1457-12/TDD |
| ETSI | ETSI TS 123 038 | 10.0.0 | Published | Mar 11 | http://www.etsi.org/deliver/etsi_ts/123000_123099/123038/10.00.00_60/ |
| Release 11 | | | | | |
| ARIB | ARIB STD-T63-23.038 | 11.0.0 | Approved | Jul 13 | http://www.arib.or.jp/english/html/overview/doc/STD-T63v10_00/2_T63/ARIB-STD-T63/Rel11/23/A23038-b00.pdf |
| ATIS | ATIS.3GPP.23.038V1100-2014 | 11.0.0 | Approved | May 14 | https://www.atis.org/docstore/default.aspx |
| CCSA | CCSA-TSD-TDD-23.038 | 11.0.0 | Published | Jun 14 | http://www.ccsa.org.cn/english/tc/files.php?docpath=/ITU-R/M.1457/M.1457-12/TDD |
| ETSI | ETSI TS 123 038 | 11.0.0 | Published | Oct 12 | http://www.etsi.org/deliver/etsi_ts/123000_123099/123038/11.00.00_60/ |

5.3.2.12.10 TS 23.040

Technical realization of the Short Message Service (SMS)

This document describes the Short Message Service (SMS) for GSM/UMTS networks. It defines:

- the services and service elements;
- the network architecture;
- the Service Centre functionality;
- the SMS Router functionality;
- the MSC functionality (with regard to the SMS);
- the SGSN functionality (with regard to the SMS);
- the routing requirements;
- the protocols and protocol layering;

for the Mobile Originated and Mobile Terminated Short Message Service Teleservices, as specified in 3GPP TS 22.003 and 3GPP TS 22.105.

The use of radio resources for the transfer of short messages between the MS and the MSC or the SGSN is described in 3GPP TS 24.011.

| SDO (2) | Document No. | Version | Status | Issued date | Location (1) |
|-------------------|---------------------|---------|----------|-------------|---|
| Release 99 | | | | | |
| ARIB | ARIB STD-T63-23.040 | 3.11.0 | Approved | Jul 13 | http://www.arib.or.jp/english/html/overview/doc/STD-T63v10_00/2_T63/ARIB-STD-T63/R99/23/A23040-3b0.pdf |

| | | | | | |
|-------------------|----------------------------|--------|-----------|--------|---|
| ATIS | ATIS.3GPP.23.040V3110-2008 | 3.11.0 | Approved | Oct 08 | https://www.atis.org/docstore/default.aspx |
| CCSA | CCSA-TSD-TDD-23.040 | 3.11.0 | Published | Jun 08 | http://www.ccsa.org.cn/english/tc/files.php?docpath=/ITU-R/M.1457/M.1457-12/TDD |
| ETSI | ETSI TS 123 040 | 3.11.0 | Published | Jun 08 | http://www.etsi.org/deliver/etsi_ts/123000_123099/123040/03.11.00_60/ |
| Release 4 | | | | | |
| ARIB | ARIB STD-T63-23.040 | 4.10.0 | Approved | Jul 13 | http://www.arib.or.jp/english/html/overview/doc/STD-T63v10_00/2_T63/ARIB-STD-T63/Rel4/23/A23040-4a0.pdf |
| ATIS | ATIS.3GPP.23.040V4100-2008 | 4.10.0 | Approved | Oct 08 | https://www.atis.org/docstore/default.aspx |
| CCSA | CCSA-TSD-TDD-23.040 | 4.10.0 | Published | Jun 08 | http://www.ccsa.org.cn/english/tc/files.php?docpath=/ITU-R/M.1457/M.1457-12/TDD |
| ETSI | ETSI TS 123 040 | 4.10.0 | Published | Jun 08 | http://www.etsi.org/deliver/etsi_ts/123000_123099/123040/04.10.00_60/ |
| Release 5 | | | | | |
| ARIB | ARIB STD-T63-23.040 | 5.9.0 | Approved | Jul 13 | http://www.arib.or.jp/english/html/overview/doc/STD-T63v10_00/2_T63/ARIB-STD-T63/Rel5/23/A23040-590.pdf |
| ATIS | ATIS.3GPP.23.040V590-2008 | 5.9.0 | Approved | Oct 08 | https://www.atis.org/docstore/default.aspx |
| CCSA | CCSA-TSD-TDD-23.040 | 5.9.0 | Published | Jun 08 | http://www.ccsa.org.cn/english/tc/files.php?docpath=/ITU-R/M.1457/M.1457-12/TDD |
| ETSI | ETSI TS 123 040 | 5.9.0 | Published | Jun 08 | http://www.etsi.org/deliver/etsi_ts/123000_123099/123040/05.09.00_60/ |
| Release 6 | | | | | |
| ARIB | ARIB STD-T63-23.040 | 6.9.0 | Approved | Jul 13 | http://www.arib.or.jp/english/html/overview/doc/STD-T63v10_00/2_T63/ARIB-STD-T63/Rel6/23/A23040-690.pdf |
| ATIS | ATIS.3GPP.23.040V690-2008 | 6.9.0 | Approved | Oct 08 | https://www.atis.org/docstore/default.aspx |
| CCSA | CCSA-TSD-TDD-23.040 | 6.9.0 | Published | Jun 08 | http://www.ccsa.org.cn/english/tc/files.php?docpath=/ITU-R/M.1457/M.1457-12/TDD |
| ETSI | ETSI TS 123 040 | 6.9.0 | Published | Jun 08 | http://www.etsi.org/deliver/etsi_ts/123000_123099/123040/06.09.00_60/ |
| Release 7 | | | | | |
| ARIB | ARIB STD-T63-23.040 | 7.2.0 | Approved | Jul 13 | http://www.arib.or.jp/english/html/overview/doc/STD-T63v10_00/2_T63/ARIB-STD-T63/Rel7/23/A23040-720.pdf |
| ATIS | ATIS.3GPP.23.040V720-2009 | 7.2.0 | Approved | Jul 09 | https://www.atis.org/docstore/default.aspx |
| CCSA | CCSA-TSD-TDD-23.040 | 7.2.0 | Published | Mar 09 | http://www.ccsa.org.cn/english/tc/files.php?docpath=/ITU-R/M.1457/M.1457-12/TDD |
| ETSI | ETSI TS 123 040 | 7.2.0 | Published | Mar 09 | http://www.etsi.org/deliver/etsi_ts/123000_123099/123040/07.02.00_60/ |
| Release 8 | | | | | |
| ARIB | ARIB STD-T63-23.040 | 8.6.0 | Approved | Jul 13 | http://www.arib.or.jp/english/html/overview/doc/STD-T63v10_00/2_T63/ARIB-STD-T63/Rel8/23/A23040-860.pdf |
| ATIS | ATIS.3GPP.23.040V860-2010 | 8.6.0 | Approved | Jul 10 | https://www.atis.org/docstore/default.aspx |
| CCSA | CCSA-TSD-TDD-23.040 | 8.6.0 | Published | Mar 10 | http://www.ccsa.org.cn/english/tc/files.php?docpath=/ITU-R/M.1457/M.1457-12/TDD |
| ETSI | ETSI TS 123 040 | 8.6.0 | Published | Oct 09 | http://www.etsi.org/deliver/etsi_ts/123000_123099/123040/08.06.00_60/ |
| Release 9 | | | | | |
| ARIB | ARIB STD-T63-23.040 | 9.3.0 | Approved | Jul 13 | http://www.arib.or.jp/english/html/overview/doc/STD-T63v10_00/2_T63/ARIB-STD-T63/Rel9/23/A23040-930.pdf |
| ATIS | ATIS.3GPP.23.040V930-2012 | 9.3.0 | Approved | Jul 12 | https://www.atis.org/docstore/default.aspx |
| CCSA | CCSA-TSD-TDD-23.040 | 9.3.0 | Published | Jun 12 | http://www.ccsa.org.cn/english/tc/files.php?docpath=/ITU-R/M.1457/M.1457-12/TDD |
| ETSI | ETSI TS 123 040 | 9.3.0 | Published | Oct 10 | http://www.etsi.org/deliver/etsi_ts/123000_123099/123040/09.03.00_60/ |
| Release 10 | | | | | |
| ARIB | ARIB STD-T63-23.040 | 10.0.0 | Approved | Jul 13 | http://www.arib.or.jp/english/html/overview/doc/STD-T63v10_00/2_T63/ARIB-STD-T63/Rel10/23/A23040-a00.pdf |
| ATIS | ATIS.3GPP.23.040V1000-2012 | 10.0.0 | Approved | Jul 12 | https://www.atis.org/docstore/default.aspx |
| CCSA | CCSA-TSD-TDD-23.040 | 10.0.0 | Published | Jun 12 | http://www.ccsa.org.cn/english/tc/files.php?docpath=/ITU-R/M.1457/M.1457-12/TDD |
| ETSI | ETSI TS 123 040 | 10.0.0 | Published | Apr 11 | http://www.etsi.org/deliver/etsi_ts/123000_123099/123040/10.00.00_60/ |
| Release 11 | | | | | |
| ARIB | ARIB STD-T63-23.040 | 11.5.0 | Approved | Jul 13 | http://www.arib.or.jp/english/html/overview/doc/STD-T63v10_00/2_T63/ARIB-STD-T63/Rel11/23/A23040-b50.pdf |
| ATIS | ATIS.3GPP.23.040V1150-2014 | 11.5.0 | Approved | May 14 | https://www.atis.org/docstore/default.aspx |
| CCSA | CCSA-TSD-TDD-23.040 | 11.5.0 | Published | Jun 14 | http://www.ccsa.org.cn/english/tc/files.php?docpath=/ITU-R/M.1457/M.1457-12/TDD |
| ETSI | ETSI TS 123 040 | 11.5.0 | Published | Apr 13 | http://www.etsi.org/deliver/etsi_ts/123000_123099/123040/11.05.00_60/ |

5.3.2.12.11 TS 23.041

Technical realization of Cell Broadcast Service (CBS)

This document describes the Cell Broadcast short message service (CBS) for GSM and UMTS. For GSM it defines the primitives over the Cell Broadcast Centre – Base Station System (CBC-BSS) interface and the message formats over the Base Station System – Mobile Station (BSS-MS) interface for Teleservice 23 as specified in 3GPP TS 22.003. For UMTS it defines the interface requirements for the Cell Broadcast Center – UMTS Radio Network System (RNS) interface and the radio interface requirements for UMTS Radio Access Networks to support CBS as specified in 3GPP TS 22.003. The document also describes the Public Warning System (PWS) for GSM, UMTS and E-UTRAN, see 3GPP TS 22.268.

| SDO (2) | Document No. | Version | Status | Issued date | Location (1) |
|-------------------|----------------------------|---------|-----------|-------------|---|
| Release 99 | | | | | |
| ARIB | ARIB STD-T63-23.041 | 3.5.0 | Approved | Jul 13 | http://www.arib.or.jp/english/html/overview/doc/STD-T63v10_00/2_T63/ARIB-STD-T63/R99/23/A23041-350.pdf |
| ATIS | T1.3GPP.23.041V350-2003 | 3.5.0 | Approved | Mar 03 | https://www.atis.org/docstore/default.aspx |
| CCSA | CCSA-TSD-TDD-23.041 | 3.5.0 | Published | Jul 02 | http://www.ccsa.org.cn/english/tc/files.php?docpath=/ITU-R/M.1457/M.1457-12/TDD |
| ETSI | ETSI TS 123 041 | 3.5.0 | Published | Jul 02 | http://www.etsi.org/deliver/etsi_ts/123000_123099/123041/03.05.00_60/ |
| Release 4 | | | | | |
| ARIB | ARIB STD-T63-23.041 | 4.4.0 | Approved | Jul 13 | http://www.arib.or.jp/english/html/overview/doc/STD-T63v10_00/2_T63/ARIB-STD-T63/Rel4/23/A23041-440.pdf |
| ATIS | T1.3GPP.23.041V440-2004 | 4.4.0 | Approved | May 04 | https://www.atis.org/docstore/default.aspx |
| CCSA | CCSA-TSD-TDD-23.041 | 4.4.0 | Published | Apr 03 | http://www.ccsa.org.cn/english/tc/files.php?docpath=/ITU-R/M.1457/M.1457-12/TDD |
| ETSI | ETSI TS 123 041 | 4.4.0 | Published | Apr 03 | http://www.etsi.org/deliver/etsi_ts/123000_123099/123041/04.04.00_60/ |
| Release 5 | | | | | |
| ARIB | ARIB STD-T63-23.041 | 5.2.0 | Approved | Jul 13 | http://www.arib.or.jp/english/html/overview/doc/STD-T63v10_00/2_T63/ARIB-STD-T63/Rel5/23/A23041-520.pdf |
| ATIS | T1.3GPP.23.041V520-2004 | 5.2.0 | Approved | May 04 | https://www.atis.org/docstore/default.aspx |
| CCSA | CCSA-TSD-TDD-23.041 | 5.2.0 | Published | Jan 04 | http://www.ccsa.org.cn/english/tc/files.php?docpath=/ITU-R/M.1457/M.1457-12/TDD |
| ETSI | ETSI TS 123 041 | 5.2.0 | Published | Jan 04 | http://www.etsi.org/deliver/etsi_ts/123000_123099/123041/05.02.00_60/ |
| Release 6 | | | | | |
| ARIB | ARIB STD-T63-23.041 | 6.2.0 | Approved | Jul 13 | http://www.arib.or.jp/english/html/overview/doc/STD-T63v10_00/2_T63/ARIB-STD-T63/Rel6/23/A23041-620.pdf |
| ATIS | T1.3GPP.23.041V620-2004 | 6.2.0 | Approved | May 04 | https://www.atis.org/docstore/default.aspx |
| CCSA | CCSA-TSD-TDD-23.041 | 6.2.0 | Published | May 05 | http://www.ccsa.org.cn/english/tc/files.php?docpath=/ITU-R/M.1457/M.1457-12/TDD |
| ETSI | ETSI TS 123 041 | 6.2.0 | Published | May 05 | http://www.etsi.org/deliver/etsi_ts/123000_123099/123041/06.02.00_60/ |
| Release 7 | | | | | |
| ARIB | ARIB STD-T63-23.041 | 7.0.0 | Approved | Jul 13 | http://www.arib.or.jp/english/html/overview/doc/STD-T63v10_00/2_T63/ARIB-STD-T63/Rel7/23/A23041-700.pdf |
| ATIS | ATIS.3GPP.23.041V700-2007 | 7.0.0 | Approved | Oct 07 | https://www.atis.org/docstore/default.aspx |
| CCSA | CCSA-TSD-TDD-23.041 | 7.0.0 | Published | Apr 07 | http://www.ccsa.org.cn/english/tc/files.php?docpath=/ITU-R/M.1457/M.1457-12/TDD |
| ETSI | ETSI TS 123 041 | 7.0.0 | Published | Apr 07 | http://www.etsi.org/deliver/etsi_ts/123000_123099/123041/07.00.00_60/ |
| Release 8 | | | | | |
| ARIB | ARIB STD-T63-23.041 | 8.11.0 | Approved | Jul 13 | http://www.arib.or.jp/english/html/overview/doc/STD-T63v10_00/2_T63/ARIB-STD-T63/Rel8/23/A23041-8b0.pdf |
| ATIS | ATIS.3GPP.23.041V8110-2014 | 8.11.0 | Approved | May 14 | https://www.atis.org/docstore/default.aspx |
| CCSA | CCSA-TSD-TDD-23.041 | 8.7.0 | Published | Jun 12 | http://www.ccsa.org.cn/english/tc/files.php?docpath=/ITU-R/M.1457/M.1457-12/TDD |
| ETSI | ETSI TS 123 041 | 8.11.0 | Published | Jan 13 | http://www.etsi.org/deliver/etsi_ts/123000_123099/123041/08.11.00_60/ |
| Release 9 | | | | | |

| | | | | | |
|-------------------|----------------------------|--------|-----------|--------|---|
| ARIB | ARIB STD-T63-23.041 | 9.11.0 | Approved | Jul 13 | http://www.arib.or.jp/english/html/overview/doc/STD-T63v10_00/2_T63/ARIB-STD-T63/Rel9/23/A23041-9b0.pdf |
| ATIS | ATIS.3GPP.23.041V9110-2014 | 9.11.0 | Approved | May 14 | https://www.atis.org/docstore/default.aspx |
| CCSA | CCSA-TSD-TDD-23.041 | 9.7.0 | Published | Jun 12 | http://www.ccsa.org.cn/english/tc/files.php?docpath=/ITU-R/M.1457/M.1457-12/TDD |
| ETSI | ETSI TS 123 041 | 9.11.0 | Published | Jan 13 | http://www.etsi.org/deliver/etsi_ts/123000_123099/123041/09.11.00_60/ |
| Release 10 | | | | | |
| ARIB | ARIB STD-T63-23.041 | 10.6.0 | Approved | Jul 13 | http://www.arib.or.jp/english/html/overview/doc/STD-T63v10_00/2_T63/ARIB-STD-T63/Rel10/23/A23041-a60.pdf |
| ATIS | ATIS.3GPP.23.041V1060-2014 | 10.6.0 | Approved | May 14 | https://www.atis.org/docstore/default.aspx |
| CCSA | CCSA-TSD-TDD-23.041 | 10.2.0 | Published | Jun 12 | http://www.ccsa.org.cn/english/tc/files.php?docpath=/ITU-R/M.1457/M.1457-12/TDD |
| ETSI | ETSI TS 123 041 | 10.6.0 | Published | Jan 13 | http://www.etsi.org/deliver/etsi_ts/123000_123099/123041/10.06.00_60/ |
| Release 11 | | | | | |
| ARIB | ARIB STD-T63-23.041 | 11.6.0 | Approved | Jul 13 | http://www.arib.or.jp/english/html/overview/doc/STD-T63v10_00/2_T63/ARIB-STD-T63/Rel11/23/A23041-b60.pdf |
| ATIS | ATIS.3GPP.23.041V1160-2014 | 11.6.0 | Approved | May 14 | https://www.atis.org/docstore/default.aspx |
| CCSA | CCSA-TSD-TDD-23.041 | 11.6.0 | Published | Jun 14 | http://www.ccsa.org.cn/english/tc/files.php?docpath=/ITU-R/M.1457/M.1457-12/TDD |
| ETSI | ETSI TS 123 041 | 11.6.0 | Published | Apr 13 | http://www.etsi.org/deliver/etsi_ts/123000_123099/123041/11.06.00_60/ |

5.3.2.12.12 TS 23.042

Compression algorithm for text messaging services

This document introduces the concepts and mechanisms involved in the compression and decompression of a stream of data.

| SDO (2) | Document No. | Version | Status | Issued date | Location (1) |
|-------------------|---------------------------|---------|-----------|-------------|---|
| Release 99 | | | | | |
| ARIB | ARIB STD-T63-23.042 | 3.1.0 | Approved | Jul 13 | http://www.arib.or.jp/english/html/overview/doc/STD-T63v10_00/2_T63/ARIB-STD-T63/R99/23/A23042-310.pdf |
| ATIS | T1.3GPP.23.042V310-2002 | 3.1.0 | Approved | May 02 | https://www.atis.org/docstore/default.aspx |
| CCSA | CCSA-TSD-TDD-23.042 | 3.1.0 | Published | Feb 00 | http://www.ccsa.org.cn/english/tc/files.php?docpath=/ITU-R/M.1457/M.1457-12/TDD |
| ETSI | ETSI TS 123 042 | 3.1.0 | Published | Feb 00 | http://www.etsi.org/deliver/etsi_ts/123000_123099/123042/03.01.00_60/ |
| Release 4 | | | | | |
| ARIB | ARIB STD-T63-23.042 | 4.0.1 | Approved | Jul 13 | http://www.arib.or.jp/english/html/overview/doc/STD-T63v10_40/2_T63/ARIB-STD-T63/Rel4/23/A23042-401.pdf |
| ATIS | T1.3GPP.23.042V401-2002 | 4.0.1 | Approved | May 02 | https://www.atis.org/docstore/default.aspx |
| CCSA | CCSA-TSD-TDD-23.042 | 4.0.1 | Published | Oct 01 | http://www.ccsa.org.cn/english/tc/files.php?docpath=/ITU-R/M.1457/M.1457-12/TDD |
| ETSI | ETSI TS 123 042 | 4.0.1 | Published | Oct 01 | http://www.etsi.org/deliver/etsi_ts/123000_123099/123042/04.00.01_60/ |
| Release 5 | | | | | |
| ARIB | ARIB STD-T63-23.042 | 5.0.0 | Approved | Jul 13 | http://www.arib.or.jp/english/html/overview/doc/STD-T63v10_00/2_T63/ARIB-STD-T63/Rel5/23/A23042-500.pdf |
| ATIS | T1.3GPP.23.042V500-2003 | 5.0.0 | Approved | Mar 03 | https://www.atis.org/docstore/default.aspx |
| CCSA | CCSA-TSD-TDD-23.042 | 5.0.0 | Published | Jul 02 | http://www.ccsa.org.cn/english/tc/files.php?docpath=/ITU-R/M.1457/M.1457-12/TDD |
| ETSI | ETSI TS 123 042 | 5.0.0 | Published | Jul 02 | http://www.etsi.org/deliver/etsi_ts/123000_123099/123042/05.00.00_60/ |
| Release 6 | | | | | |
| ARIB | ARIB STD-T63-23.042 | 6.0.0 | Approved | Jul 13 | http://www.arib.or.jp/english/html/overview/doc/STD-T63v10_00/2_T63/ARIB-STD-T63/Rel6/23/A23042-600.pdf |
| ATIS | ATIS.3GPP.23.042V600-2005 | 6.0.0 | Approved | Apr 05 | https://www.atis.org/docstore/default.aspx |
| CCSA | CCSA-TSD-TDD-23.042 | 6.0.0 | Published | Jan 05 | http://www.ccsa.org.cn/english/tc/files.php?docpath=/ITU-R/M.1457/M.1457-12/TDD |
| ETSI | ETSI TS 123 042 | 6.0.0 | Published | Jan 05 | http://www.etsi.org/deliver/etsi_ts/123000_123099/123042/06.00.00_60/ |
| Release 7 | | | | | |

| | | | | | |
|-------------------|----------------------------|--------|-----------|--------|---|
| ARIB | ARIB STD-T63-23.042 | 7.0.0 | Approved | Jul 13 | http://www.arib.or.jp/english/html/overview/doc/STD-T63v10_00/2_T63/ARIB-STD-T63/Rel7/23/A23042-700.pdf |
| ATIS | ATIS.3GPP.23.042V700-2007 | 7.0.0 | Approved | Oct 07 | https://www.atis.org/docstore/default.aspx |
| CCSA | CCSA-TSD-TDD-23.042 | 7.0.0 | Published | Jul 07 | http://www.ccsa.org.cn/english/tc/files.php?docpath=/ITU-R/M.1457/M.1457-12/TDD |
| ETSI | ETSI TS 123 042 | 7.0.0 | Published | Jul 07 | http://www.etsi.org/deliver/etsi_ts/123000_123099/123042/07.00.00_60/ |
| Release 8 | | | | | |
| ARIB | ARIB STD-T63-23.042 | 8.0.0 | Approved | Jul 13 | http://www.arib.or.jp/english/html/overview/doc/STD-T63v10_00/2_T63/ARIB-STD-T63/Rel8/23/A23042-800.pdf |
| ATIS | ATIS.3GPP.23.042V800-2009 | 8.0.0 | Approved | Jul 09 | https://www.atis.org/docstore/default.aspx |
| CCSA | CCSA-TSD-TDD-23.042 | 8.0.0 | Published | Jan 09 | http://www.ccsa.org.cn/english/tc/files.php?docpath=/ITU-R/M.1457/M.1457-12/TDD |
| ETSI | ETSI TS 123 042 | 8.0.0 | Published | Jan 09 | http://www.etsi.org/deliver/etsi_ts/123000_123099/123042/08.00.00_60/ |
| Release 9 | | | | | |
| ARIB | ARIB STD-T63-23.042 | 9.0.0 | Approved | Jul 13 | http://www.arib.or.jp/english/html/overview/doc/STD-T63v10_00/2_T63/ARIB-STD-T63/Rel9/23/A23042-900.pdf |
| ATIS | ATIS.3GPP.23.042V900-2010 | 9.0.0 | Approved | Jul 10 | https://www.atis.org/docstore/default.aspx |
| CCSA | CCSA-TSD-TDD-23.042 | 9.0.0 | Published | Mar 10 | http://www.ccsa.org.cn/english/tc/files.php?docpath=/ITU-R/M.1457/M.1457-12/TDD |
| ETSI | ETSI TS 123 042 | 9.0.0 | Published | Jan 10 | http://www.etsi.org/deliver/etsi_ts/123000_123099/123042/09.00.00_60/ |
| Release 10 | | | | | |
| ARIB | ARIB STD-T63-23.042 | 10.0.0 | Approved | Jul 13 | http://www.arib.or.jp/english/html/overview/doc/STD-T63v10_00/2_T63/ARIB-STD-T63/Rel10/23/A23042-a00.pdf |
| ATIS | ATIS.3GPP.23.042V1000-2012 | 10.0.0 | Approved | Jul 12 | https://www.atis.org/docstore/default.aspx |
| CCSA | CCSA-TSD-TDD-23.042 | 10.0.0 | Published | Jun 12 | http://www.ccsa.org.cn/english/tc/files.php?docpath=/ITU-R/M.1457/M.1457-12/TDD |
| ETSI | ETSI TS 123 042 | 10.0.0 | Published | Mar 11 | http://www.etsi.org/deliver/etsi_ts/123000_123099/123042/10.00.00_60/ |
| Release 11 | | | | | |
| ARIB | ARIB STD-T63-23.042 | 11.0.0 | Approved | Jul 13 | http://www.arib.or.jp/english/html/overview/doc/STD-T63v10_00/2_T63/ARIB-STD-T63/Rel11/23/A23042-b00.pdf |
| ATIS | ATIS.3GPP.23.042V1100-2014 | 11.0.0 | Approved | May 14 | https://www.atis.org/docstore/default.aspx |
| CCSA | CCSA-TSD-TDD-23.042 | 11.0.0 | Published | Jun 14 | http://www.ccsa.org.cn/english/tc/files.php?docpath=/ITU-R/M.1457/M.1457-12/TDD |
| ETSI | ETSI TS 123 042 | 11.0.0 | Published | Oct 12 | http://www.etsi.org/deliver/etsi_ts/123000_123099/123042/11.00.00_60/ |

5.3.2.12.13 TS 23.057

Mobile Execution Environment (MExE); Functional description; Stage 2

This document defines stage 2 and stage 3 of the Mobile Execution Environment (MExE). Stage 2 identifies the functional capabilities and information flows needed to support the service described in stage 1. MExE uses a number of technologies to realise the requirements of the stage 1 description (3GPP TS 22.057). The document describes how the service requirements are realized with the selected technologies.

The specification covers areas of MExE common to all technologies.

| SDO (2) | Document No. | Version | Status | Issued date | Location (1) |
|-------------------|-------------------------|---------|-----------|-------------|---|
| Release 99 | | | | | |
| ARIB | ARIB STD-T63-23.057 | 3.4.0 | Approved | Jul 13 | http://www.arib.or.jp/english/html/overview/doc/STD-T63v10_00/2_T63/ARIB-STD-T63/R99/23/A23057-340.pdf |
| ATIS | T1.3GPP.23.057V340-2002 | 3.4.0 | Approved | May 02 | https://www.atis.org/docstore/default.aspx |
| CCSA | CCSA-TSD-TDD-23.057 | 3.4.0 | Published | Apr 01 | http://www.ccsa.org.cn/english/tc/files.php?docpath=/ITU-R/M.1457/M.1457-12/TDD |
| ETSI | ETSI TS 123 057 | 3.4.0 | Published | Apr 01 | http://www.etsi.org/deliver/etsi_ts/123000_123099/123057/03.04.00_60/ |
| Release 4 | | | | | |

| | | | | | |
|-------------------|----------------------------|--------|-----------|--------|---|
| ARIB | ARIB STD-T63-23.057 | 4.5.0 | Approved | Jul 13 | http://www.arib.or.jp/english/html/overview/doc/STD-T63v10_00/2_T63/ARIB-STD-T63/Rel4/23/A23057-450.pdf |
| ATIS | T1.3GPP.23.057V450-2002 | 4.5.0 | Approved | May 02 | https://www.atis.org/docstore/default.aspx |
| CCSA | CCSA-TSD-TDD-23.057 | 4.5.0 | Published | Apr 02 | http://www.ccsa.org.cn/english/tc/files.php?docpath=/ITU-R/M.1457/M.1457-12/TDD |
| ETSI | ETSI TS 123 057 | 4.5.0 | Published | Apr 02 | http://www.etsi.org/deliver/etsi_ts/123000_123099/123057/04.05.00_60/ |
| Release 5 | | | | | |
| ARIB | ARIB STD-T63-23.057 | 5.1.0 | Approved | Jul 13 | http://www.arib.or.jp/english/html/overview/doc/STD-T63v10_00/2_T63/ARIB-STD-T63/Rel5/23/A23057-510.pdf |
| ATIS | T1.3GPP.23.057V510-2003 | 5.1.0 | Approved | Mar 03 | https://www.atis.org/docstore/default.aspx |
| CCSA | CCSA-TSD-TDD-23.057 | 5.1.0 | Published | Oct 02 | http://www.ccsa.org.cn/english/tc/files.php?docpath=/ITU-R/M.1457/M.1457-12/TDD |
| ETSI | ETSI TS 123 057 | 5.1.0 | Published | Oct 02 | http://www.etsi.org/deliver/etsi_ts/123000_123099/123057/05.01.00_60/ |
| Release 6 | | | | | |
| ARIB | ARIB STD-T63-23.057 | 6.2.0 | Approved | Jul 13 | http://www.arib.or.jp/english/html/overview/doc/STD-T63v10_00/2_T63/ARIB-STD-T63/Rel6/23/A23057-620.pdf |
| ATIS | T1.3GPP.23.057V620-2004 | 6.2.0 | Approved | May 04 | https://www.atis.org/docstore/default.aspx |
| CCSA | CCSA-TSD-TDD-23.057 | 6.2.0 | Published | May 05 | http://www.ccsa.org.cn/english/tc/files.php?docpath=/ITU-R/M.1457/M.1457-12/TDD |
| ETSI | ETSI TS 123 057 | 6.2.0 | Published | May 05 | http://www.etsi.org/deliver/etsi_ts/123000_123099/123057/06.02.00_60/ |
| Release 7 | | | | | |
| ARIB | ARIB STD-T63-23.057 | 7.0.0 | Approved | Jul 13 | http://www.arib.or.jp/english/html/overview/doc/STD-T63v10_00/2_T63/ARIB-STD-T63/Rel7/23/A23057-700.pdf |
| ATIS | ATIS.3GPP.23.057V700-2007 | 7.0.0 | Approved | Oct 07 | https://www.atis.org/docstore/default.aspx |
| CCSA | CCSA-TSD-TDD-23.057 | 7.0.0 | Published | Jun 07 | http://www.ccsa.org.cn/english/tc/files.php?docpath=/ITU-R/M.1457/M.1457-12/TDD |
| ETSI | ETSI TS 123 057 | 7.0.0 | Published | Jun 07 | http://www.etsi.org/deliver/etsi_ts/123000_123099/123057/07.00.00_60/ |
| Release 8 | | | | | |
| ARIB | ARIB STD-T63-23.057 | 8.0.0 | Approved | Jul 13 | http://www.arib.or.jp/english/html/overview/doc/STD-T63v10_00/2_T63/ARIB-STD-T63/Rel8/23/A23057-800.pdf |
| ATIS | ATIS.3GPP.23.057V800-2009 | 8.0.0 | Approved | Jul 09 | https://www.atis.org/docstore/default.aspx |
| CCSA | CCSA-TSD-TDD-23.057 | 8.0.0 | Published | Jan 09 | http://www.ccsa.org.cn/english/tc/files.php?docpath=/ITU-R/M.1457/M.1457-12/TDD |
| ETSI | ETSI TS 123 057 | 8.0.0 | Published | Jan 09 | http://www.etsi.org/deliver/etsi_ts/123000_123099/123057/08.00.00_60/ |
| Release 9 | | | | | |
| ARIB | ARIB STD-T63-23.057 | 9.0.0 | Approved | Jul 13 | http://www.arib.or.jp/english/html/overview/doc/STD-T63v10_00/2_T63/ARIB-STD-T63/Rel9/23/A23057-900.pdf |
| ATIS | ATIS.3GPP.23.057V900-2010 | 9.0.0 | Approved | Jul 10 | https://www.atis.org/docstore/default.aspx |
| CCSA | CCSA-TSD-TDD-23.057 | 9.0.0 | Published | Mar 10 | http://www.ccsa.org.cn/english/tc/files.php?docpath=/ITU-R/M.1457/M.1457-12/TDD |
| ETSI | ETSI TS 123 057 | 9.0.0 | Published | Jan 10 | http://www.etsi.org/deliver/etsi_ts/123000_123099/123057/09.00.00_60/ |
| Release 10 | | | | | |
| ARIB | ARIB STD-T63-23.057 | 10.0.0 | Approved | Jul 13 | http://www.arib.or.jp/english/html/overview/doc/STD-T63v10_00/2_T63/ARIB-STD-T63/Rel10/23/A23057-a00.pdf |
| ATIS | ATIS.3GPP.23.057V1000-2012 | 10.0.0 | Approved | Jul 12 | https://www.atis.org/docstore/default.aspx |
| CCSA | CCSA-TSD-TDD-23.057 | 10.0.0 | Published | Jun 12 | http://www.ccsa.org.cn/english/tc/files.php?docpath=/ITU-R/M.1457/M.1457-12/TDD |
| ETSI | ETSI TS 123 057 | 10.0.0 | Published | Mar 11 | http://www.etsi.org/deliver/etsi_ts/123000_123099/123057/10.00.00_60/ |
| Release 11 | | | | | |
| ARIB | ARIB STD-T63-23.057 | 11.0.0 | Approved | Jul 13 | http://www.arib.or.jp/english/html/overview/doc/STD-T63v10_00/2_T63/ARIB-STD-T63/Rel11/23/A23057-b00.pdf |
| ATIS | ATIS.3GPP.23.057V1100-2014 | 11.0.0 | Approved | May 14 | https://www.atis.org/docstore/default.aspx |
| CCSA | CCSA-TSD-TDD-23.057 | 11.0.0 | Published | Jun 14 | http://www.ccsa.org.cn/english/tc/files.php?docpath=/ITU-R/M.1457/M.1457-12/TDD |
| ETSI | ETSI TS 123 057 | 11.0.0 | Published | Sep 12 | http://www.etsi.org/deliver/etsi_ts/123000_123099/123057/11.00.00_60/ |

5.3.2.12.14 TS 23.060

General Packet Radio Service (GPRS); Service description; Stage 2

This specification describes a general overview over the GPRS architecture as well as a more detailed overview of the MS – CN protocol architecture. Details of the protocols will be specified in companion documents.

| SDO (2) | Document No. | Version | Status | Issued date | Location (1) |
|-------------------|------------------------------|---------|-----------|-------------|---|
| Release 99 | | | | | |
| ATIS | T1.3GPP.23.060V3170-2007 | 3.17.0 | Approved | Oct 07 | https://www.atis.org/docstore/default.aspx |
| CCSA | CCSA-TSD-TDD-23.060 | 3.17.0 | Published | Dec 06 | http://www.ccsa.org.cn/english/tc/files.php?docpath=/ITU-R/M.1457/M.1457-12/TDD |
| ETSI | ETSI TS 123 060 | 3.17.0 | Published | Dec 06 | http://www.etsi.org/deliver/etsi_ts/123000_123099/123060/03.17.00_60/ |
| TTC | TS-3GA-23.060(R99)v3.17.0 | 3.17.0 | Approved | Mar 07 | http://www.ttc.or.jp/j/document_list/free/TS/TS-3GA-23.060(R99)v3.17.0.pdf |
| Release 4 | | | | | |
| ATIS | ATIS.3GPP.23.060V4110-2007 | 4.11.0 | Approved | Oct 07 | https://www.atis.org/docstore/default.aspx |
| CCSA | CCSA-TSD-TDD-23.060 | 4.11.0 | Published | Dec 06 | http://www.ccsa.org.cn/english/tc/files.php?docpath=/ITU-R/M.1457/M.1457-12/TDD |
| ETSI | ETSI TS 123 060 | 4.11.0 | Published | Dec 06 | http://www.etsi.org/deliver/etsi_ts/123000_123099/123060/04.11.00_60/ |
| TTC | TS-3GA-23.060(Rel4)v4.11.0 | 4.11.0 | Approved | Mar 08 | http://www.ttc.or.jp/j/document_list/free/TS/TS-3GA-23.060(Rel4)v4.11.0.pdf |
| Release 5 | | | | | |
| CCSA | CCSA-TSD-TDD-23.060 | 5.13.0 | Published | Dec 06 | http://www.ccsa.org.cn/english/tc/files.php?docpath=/ITU-R/M.1457/M.1457-12/TDD |
| ETSI | ETSI TS 123 060 | 5.13.0 | Published | Dec 06 | http://www.etsi.org/deliver/etsi_ts/123000_123099/123060/05.13.00_60/ |
| TTC | TS-3GA-23.060(Rel5)v5.13.0 | 5.13.0 | Approved | Mar 07 | http://www.ttc.or.jp/j/document_list/free/TS/TS-3GA-23.060(Rel5)v5.13.0.pdf |
| Release 6 | | | | | |
| ATIS | ATIS.3GPP.23.060V6150-2007 | 6.15.0 | Approved | Oct 07 | https://www.atis.org/docstore/default.aspx |
| CCSA | CCSA-TSD-TDD-23.060 | 6.15.0 | Published | Dec 06 | http://www.ccsa.org.cn/english/tc/files.php?docpath=/ITU-R/M.1457/M.1457-12/TDD |
| ETSI | ETSI TS 123 060 | 6.15.0 | Published | Dec 06 | http://www.etsi.org/deliver/etsi_ts/123000_123099/123060/06.15.00_60/ |
| TTC | TS-3GA-23.060(Rel6)v6.15.0 | 6.15.0 | Approved | Mar 07 | http://www.ttc.or.jp/j/document_list/free/TS/TS-3GA-23.060(Rel6)v6.15.0.pdf |
| Release 7 | | | | | |
| ATIS | ATIS.3GPP.23.060V7110-2012 | 7.11.0 | Approved | Jul 12 | https://www.atis.org/docstore/default.aspx |
| CCSA | CCSA-TSD-TDD-23.060 | 7.11.0 | Published | Jun 12 | http://www.ccsa.org.cn/english/tc/files.php?docpath=/ITU-R/M.1457/M.1457-12/TDD |
| ETSI | ETSI TS 123 060 | 7.11.0 | Published | Jun 11 | http://www.etsi.org/deliver/etsi_ts/123000_123099/123060/07.11.00_60/ |
| TTC | TS-3GA-23.060(Rel7)v7.11.0 | 7.11.0 | Approved | Dec 10 | http://www.ttc.or.jp/j/document_list/free/3gpps2010/TS/TS-3GA-23.060(Rel7)v7.10.0.pdf |
| Release 8 | | | | | |
| ATIS | ATIS.3GPP.23.060V8170-2014 | 8.17.0 | Approved | May 14 | https://www.atis.org/docstore/default.aspx |
| CCSA | CCSA-TSD-TDD-23.060 | 8.14.0 | Published | Jun 12 | http://www.ccsa.org.cn/english/tc/files.php?docpath=/ITU-R/M.1457/M.1457-12/TDD |
| ETSI | ETSI TS 123 060 | 8.17.0 | Published | Apr 13 | http://www.etsi.org/deliver/etsi_ts/123000_123099/123060/08.17.00_60/ |
| TTC | TS-3GA-23.060(Rel8)v8.17.0 | 8.17.0 | Approved | Jun 13 | http://www.ttc.or.jp/j/document_list/free/3gpps2013/TS/TS-3GA-23.060(Rel8)v8.17.0.pdf |
| Release 9 | | | | | |
| ATIS | ATIS.3GPP.23.060V9140-2014 | 9.14.0 | Approved | May 14 | https://www.atis.org/docstore/default.aspx |
| CCSA | CCSA-TSD-TDD-23.060 | 9.11.0 | Published | Jun 12 | http://www.ccsa.org.cn/english/tc/files.php?docpath=/ITU-R/M.1457/M.1457-12/TDD |
| ETSI | ETSI TS 123 060 | 9.14.0 | Published | Apr 13 | http://www.etsi.org/deliver/etsi_ts/123000_123099/123060/09.14.00_60/ |
| TTC | TS-3GA-23.060(Rel9)v9.14.0 | 9.14.0 | Approved | Jun 13 | http://www.ttc.or.jp/j/document_list/free/3gpps2013/TS/TS-3GA-23.060(Rel9)v9.14.0.pdf |
| Release 10 | | | | | |
| ATIS | ATIS.3GPP.23.060V10110- | 10.11.0 | Approved | May 14 | https://www.atis.org/docstore/default.aspx |
| CCSA | CCSA-TSD-TDD-23.060 | 10.6.0 | Published | Jun 12 | http://www.ccsa.org.cn/english/tc/files.php?docpath=/ITU-R/M.1457/M.1457-12/TDD |
| ETSI | ETSI TS 123 060 | 10.11.0 | Published | Apr 13 | http://www.etsi.org/deliver/etsi_ts/123000_123099/123060/10.11.00_60/ |
| TTC | TS-3GA-23.060(Rel10)v10.11.0 | 10.11.0 | Approved | Jun 13 | http://www.ttc.or.jp/j/document_list/free/3gpps2013/TS/TS-3GA-23.060(Rel10)v10.11.0.pdf |

Release 11

| | | | | | |
|------|-----------------------------|---------|-----------|--------|---|
| ATIS | ATIS.3GPP.23.060V1150-2014 | 11.5.0 | Approved | May 14 | https://www.atis.org/docstore/default.aspx |
| CCSA | CCSA-TSD-TDD-23.060 | 11.10.0 | Published | Jun 14 | http://www.ccsa.org.cn/english/tc/files.php?docpath=/ITU-R/M.1457/M.1457-12/TDD |
| ETSI | ETSI TS 123 060 | 11.5.0 | Published | Apr 13 | http://www.etsi.org/deliver/etsi_ts/123000_123099/123060/11.05.00_60/ |
| TTC | TS-3GA-23.060(Rel11)v11.5.0 | 11.5.0 | Approved | Jun 13 | http://www.ttc.or.jp/jp/document_list/free/3gpps2013/TS/TS-3GA-23.060(Rel11)v11.5.0.pdf |

5.3.2.12.15 TS 23.066**Support of Mobile Number Portability (MNP); Technical realization; Stage 2**

This document describes several alternatives for the realization of Mobile Number Portability. It is left to operator and implementation decisions which option, or combination of options, is used, taking into account the regulatory and architectural constraints that may prevail.

| SDO (2) | Document No. | Version | Status | Issued date | Location (1) |
|-------------------|----------------------------|---------|-----------|-------------|---|
| Release 99 | | | | | |
| CCSA | CCSA-TSD-TDD-23.066 | 3.3.0 | Published | Jun 12 | http://www.ccsa.org.cn/english/tc/files.php?docpath=/ITU-R/M.1457/M.1457-12/TDD |
| ETSI | ETSI TS 123 066 | 3.3.0 | Published | Aug 00 | http://www.etsi.org/deliver/etsi_ts/123000_123099/123066/03.03.00_60/ |
| TTC | JP-3GA-23.066(R99) | 3.3.0 | Approved | Nov 00 | http://www.ttc.or.jp/j/document_list/pdf/j/STD/JP-3GA-23.066(R99)v2.pdf |
| Release 4 | | | | | |
| CCSA | CCSA-TSD-TDD-23.066 | 4.0.1 | Published | Jun 12 | http://www.ccsa.org.cn/english/tc/files.php?docpath=/ITU-R/M.1457/M.1457-12/TDD |
| ETSI | ETSI TS 123 066 | 4.0.1 | Published | Jul 02 | http://www.etsi.org/deliver/etsi_ts/123000_123099/123066/04.00.01_60/ |
| TTC | TS-3GA-23.066(Rel4)v4.0.0 | 4.0.0 | Approved | May 01 | http://www.ttc.or.jp/j/document_list/free/TS/TS-3GA-23.066(Rel4)v4.0.0.pdf |
| Release 5 | | | | | |
| CCSA | CCSA-TSD-TDD-23.066 | 5.3.0 | Published | Jun 12 | http://www.ccsa.org.cn/english/tc/files.php?docpath=/ITU-R/M.1457/M.1457-12/TDD |
| ETSI | ETSI TS 123 066 | 5.3.0 | Published | Jan 04 | http://www.etsi.org/deliver/etsi_ts/123000_123099/123066/05.03.00_60/ |
| TTC | TS-3GA-23.066(Rel5)v5.3.0 | 5.3.0 | Approved | Feb 04 | http://www.ttc.or.jp/j/document_list/free/TS/TS-3GA-23.066(Rel5)v5.3.0.pdf |
| Release 6 | | | | | |
| CCSA | CCSA-TSD-TDD-23.066 | 6.0.0 | Published | Jun 12 | http://www.ccsa.org.cn/english/tc/files.php?docpath=/ITU-R/M.1457/M.1457-12/TDD |
| ETSI | ETSI TS 123 066 | 6.0.0 | Published | Jan 05 | http://www.etsi.org/deliver/etsi_ts/123000_123099/123066/06.00.00_60/ |
| TTC | TS-3GA-23.066(Rel6)v6.0.0 | 6.0.0 | Approved | Mar 05 | http://www.ttc.or.jp/j/document_list/free/TS/TS-3GA-23.066(Rel6)v6.0.0.pdf |
| Release 7 | | | | | |
| CCSA | CCSA-TSD-TDD-23.066 | 7.0.0 | Published | Jun 12 | http://www.ccsa.org.cn/english/tc/files.php?docpath=/ITU-R/M.1457/M.1457-12/TDD |
| ETSI | ETSI TS 123 066 | 7.0.0 | Published | Jul 07 | http://www.etsi.org/deliver/etsi_ts/123000_123099/123066/07.00.00_60/ |
| TTC | TS-3GA-23.066(Rel7)v7.0.0 | 7.0.0 | Approved | Mar 08 | http://www.ttc.or.jp/j/document_list/free/TS/TS-3GA-23.066(Rel7)v7.0.0.pdf |
| Release 8 | | | | | |
| CCSA | CCSA-TSD-TDD-23.066 | 8.0.0 | Published | Jun 12 | http://www.ccsa.org.cn/english/tc/files.php?docpath=/ITU-R/M.1457/M.1457-12/TDD |
| ETSI | ETSI TS 123 066 | 8.0.0 | Published | Jan 09 | http://www.etsi.org/deliver/etsi_ts/123000_123099/123066/08.00.00_60/ |
| TTC | TS-3GA-23.066(Rel8)v8.0.0 | 8.0.0 | Approved | Feb 09 | http://www.ttc.or.jp/j/document_list/free/3gpps2009/TS/TS-3GA-23.066(Rel8)v8.0.0.pdf |
| Release 9 | | | | | |
| CCSA | CCSA-TSD-TDD-23.066 | 9.0.0 | Published | Jun 12 | http://www.ccsa.org.cn/english/tc/files.php?docpath=/ITU-R/M.1457/M.1457-12/TDD |
| ETSI | ETSI TS 123 066 | 9.0.0 | Published | Feb 10 | http://www.etsi.org/deliver/etsi_ts/123000_123099/123066/09.00.00_60/ |
| TTC | TS-3GA-23.066(Rel9)v9.0.0 | 9.0.0 | Approved | Jul 10 | http://www.ttc.or.jp/j/document_list/free/3gpps2010/TS/TS-3GA-23.066(Rel9)v9.0.0.pdf |
| Release 10 | | | | | |
| ATIS | ATIS.3GPP.23.066V1000-2012 | 10.0.0 | Approved | Jul 12 | https://www.atis.org/docstore/default.aspx |

| | | | | | |
|-------------------|-----------------------------|--------|-----------|--------|---|
| CCSA | CCSA-TSD-TDD-23.066 | 10.0.0 | Published | Jun 12 | http://www.ccsa.org.cn/english/tc/files.php?docpath=/ITU-R/M.1457/M.1457-12/TDD |
| ETSI | ETSI TS 123 066 | 10.0.0 | Published | May 11 | http://www.etsi.org/deliver/etsi_ts/123000_123099/123066/10.00.00_60/ |
| TTC | TS-3GA-23.066(Rel10)v10.0.0 | 10.0.0 | Approved | Jun 11 | http://www.ttc.or.jp/j/document_list/free/3gpps2011/TS/TS-3GA-23.066(Rel10)v10.0.0.pdf |
| Release 11 | | | | | |
| ATIS | ATIS.3GPP.23.066V1100-2014 | 11.0.0 | Approved | Jul 12 | https://www.atis.org/docstore/default.aspx |
| CCSA | CCSA-TSD-TDD-23.066 | 11.0.0 | Published | Jun 14 | http://www.ccsa.org.cn/english/tc/files.php?docpath=/ITU-R/M.1457/M.1457-12/TDD |
| ETSI | ETSI TS 123 066 | 11.0.0 | Published | Oct 12 | http://www.etsi.org/deliver/etsi_ts/123000_123099/123066/11.00.00_60/ |
| TTC | TS-3GA-23.066(Rel11)v11.0.0 | 11.0.0 | Approved | Jun 13 | http://www.ttc.or.jp/j/document_list/free/3gpps2013/TS/TS-3GA-23.066(Rel11)v11.0.0.pdf |

5.3.2.12.16 TS 23.078

Customised Applications for Mobile network Enhanced Logic (CAMEL) Phase 4; Stage 2

This document specifies the stage 2 description for the fourth phase (see 3GPP TS 22.078) of the Customized Applications for Mobile network Enhanced Logic (CAMEL) feature which provides the mechanisms to support services of operators which are not covered by standardized services even when roaming outside the HPLMN.

| SDO (2) | Document No. | Version | Status | Issued date | Location (1) |
|-------------------|----------------------------|---------|-----------|-------------|---|
| Release 99 | | | | | |
| CCSA | CCSA-TSD-TDD-23.078 | 3.19.0 | Published | Jun 12 | http://www.ccsa.org.cn/english/tc/files.php?docpath=/ITU-R/M.1457/M.1457-12/TDD |
| ETSI | ETSI TS 123 078 | 3.19.0 | Published | Apr 04 | http://www.etsi.org/deliver/etsi_ts/123000_123099/123078/03.19.00_60/ |
| TTC | TS-3GA-23.078(R99)v3.19.0 | 3.19.0 | Approved | May 04 | http://www.ttc.or.jp/j/document_list/free/TS/TS-3GA-23.078(R99)v3.19.0.pdf |
| Release 4 | | | | | |
| CCSA | CCSA-TSD-TDD-23.078 | 4.11.1 | Published | Jun 12 | http://www.ccsa.org.cn/english/tc/files.php?docpath=/ITU-R/M.1457/M.1457-12/TDD |
| ETSI | ETSI TS 123 078 | 4.11.1 | Published | May 04 | http://www.etsi.org/deliver/etsi_ts/123000_123099/123078/04.11.01_60/ |
| TTC | TS-3GA-23.078(Rel4)v4.11.1 | 4.11.1 | Approved | May 04 | http://www.ttc.or.jp/j/document_list/free/TS/TS-3GA-23.078(Rel4)v4.11.1.pdf |
| Release 5 | | | | | |
| CCSA | CCSA-TSD-TDD-23.078 | 5.12.0 | Published | Jun 12 | http://www.ccsa.org.cn/english/tc/files.php?docpath=/ITU-R/M.1457/M.1457-12/TDD |
| ETSI | ETSI TS 123 078 | 5.12.0 | Published | Oct 09 | http://www.etsi.org/deliver/etsi_ts/123000_123099/123078/05.12.00_60/ |
| TTC | TS-3GA-23.078(Rel5)v5.12.0 | 5.12.0 | Approved | Dec 09 | http://www.ttc.or.jp/j/document_list/free/3gpps2009/TS/TS-3GA-23.078(Rel5)v5.12.0.pdf |
| Release 6 | | | | | |
| CCSA | CCSA-TSD-TDD-23.078 | 6.10.0 | Published | Jun 12 | http://www.ccsa.org.cn/english/tc/files.php?docpath=/ITU-R/M.1457/M.1457-12/TDD |
| ETSI | ETSI TS 123 078 | 6.10.0 | Published | Oct 09 | http://www.etsi.org/deliver/etsi_ts/123000_123099/123078/06.10.00_60/ |
| TTC | TS-3GA-23.078(Rel6)v6.10.0 | 6.10.0 | Approved | Dec 09 | http://www.ttc.or.jp/j/document_list/free/3gpps2009/TS/TS-3GA-23.078(Rel6)v6.10.0.pdf |
| Release 7 | | | | | |
| CCSA | CCSA-TSD-TDD-23.078 | 7.10.0 | Published | Jun 12 | http://www.ccsa.org.cn/english/tc/files.php?docpath=/ITU-R/M.1457/M.1457-12/TDD |
| ETSI | ETSI TS 123 078 | 7.10.0 | Published | Oct 09 | http://www.etsi.org/deliver/etsi_ts/123000_123099/123078/07.10.00_60/ |
| TTC | TS-3GA-23.078(Rel7)v7.10.0 | 7.10.0 | Approved | Dec 09 | http://www.ttc.or.jp/j/document_list/free/3gpps2009/TS/TS-3GA-23.078(Rel7)v7.10.0.pdf |
| Release 8 | | | | | |
| CCSA | CCSA-TSD-TDD-23.078 | 8.4.0 | Published | Jun 12 | http://www.ccsa.org.cn/english/tc/files.php?docpath=/ITU-R/M.1457/M.1457-12/TDD |
| ETSI | ETSI TS 123 078 | 8.4.0 | Published | Jan 12 | http://www.etsi.org/deliver/etsi_ts/123000_123099/123078/08.04.00_60/ |
| TTC | TS-3GA-23.078(Rel8)v8.4.0 | 8.4.0 | Approved | Feb 12 | http://www.ttc.or.jp/j/document_list/free/3gpps2012/TS/TS-3GA-23.078(Rel8)v8.4.0.pdf |
| Release 9 | | | | | |

| | | | | | |
|-------------------|-----------------------------|--------|-----------|--------|---|
| CCSA | CCSA-TSD-TDD-23.078 | 9.3.0 | Published | Jun 12 | http://www.ccsa.org.cn/english/tc/files.php?docpath=/ITU-R/M.1457/M.1457-12/TDD |
| ETSI | ETSI TS 123 078 | 9.3.0 | Published | Jan 12 | http://www.etsi.org/deliver/etsi_ts/123000_123099/123078/09.03.00_60/ |
| TTC | TS-3GA-23.078(Rel9)v9.3.0 | 9.3.0 | Approved | Feb 12 | http://www.ttc.or.jp/j/document_list/free/3gpps2012/TS/TS-3GA-23.078(Rel9)v9.3.0.pdf |
| Release 10 | | | | | |
| ATIS | ATIS.3GPP.23.078V1010-2014 | 10.1.0 | Approved | May 14 | https://www.atis.org/docstore/default.aspx |
| CCSA | CCSA-TSD-TDD-23.078 | 10.1.0 | Published | Jun 12 | http://www.ccsa.org.cn/english/tc/files.php?docpath=/ITU-R/M.1457/M.1457-12/TDD |
| ETSI | ETSI TS 123 078 | 10.1.0 | Published | Jan 12 | http://www.etsi.org/deliver/etsi_ts/123000_123099/123078/10.01.00_60/ |
| TTC | TS-3GA-23.078(Rel10)v10.1.0 | 10.1.0 | Approved | Feb 12 | http://www.ttc.or.jp/j/document_list/free/3gpps2012/TS/TS-3GA-23.078(Rel10)v10.1.0.pdf |
| Release 11 | | | | | |
| ATIS | ATIS.3GPP.23.078V1130-2014 | 11.3.0 | Approved | May 14 | https://www.atis.org/docstore/default.aspx |
| CCSA | CCSA-TSD-TDD-23.078 | 10.1.0 | Published | Jun 12 | http://www.ccsa.org.cn/english/tc/files.php?docpath=/ITU-R/M.1457/M.1457-12/TDD |
| ETSI | ETSI TS 123 078 | 11.3.0 | Published | Nov 12 | http://www.etsi.org/deliver/etsi_ts/123000_123099/123078/11.03.00_60/ |
| TTC | TS-3GA-23.078(Rel11)v11.3.0 | 11.3.0 | Approved | Jun 13 | http://www.ttc.or.jp/j/document_list/free/3gpps2013/TS/TS-3GA-23.078(Rel11)v11.3.0.pdf |

5.3.2.12.17 TS 23.081

Line Identification supplementary services; Stage 2

This document gives the stage 2 description of the call identification supplementary services.

The group line identification supplementary services are divided into the following four supplementary services:

- Calling line identification presentation CLIP;
- Calling line identification restriction CLIR;
- Connected line identification presentation COLP;
- Connected line identification restriction COLR.

| SDO (2) | Document No. | Version | Status | Issued date | Location (1) |
|-------------------|---------------------------|---------|-----------|-------------|---|
| Release 99 | | | | | |
| TTC | TS-3GA-23.081(R99)v3.2.0 | 3.2.0 | Approved | Nov 02 | http://www.ttc.or.jp/j/document_list/free/TS/TS-3GA-23.081(R99)v3.2.0.pdf |
| Release 4 | | | | | |
| CCSA | CCSA-TSD-TDD-23.081 | 4.1.0 | Published | Jun 14 | http://www.ccsa.org.cn/english/tc/files.php?docpath=/ITU-R/M.1457/M.1457-12/TDD |
| TTC | TS-3GA-23.081(Rel4)v4.1.0 | 4.1.0 | Approved | Nov 02 | http://www.ttc.or.jp/j/document_list/free/TS/TS-3GA-23.081(Rel4)v4.1.0.pdf |
| Release 5 | | | | | |
| CCSA | CCSA-TSD-TDD-23.081 | 5.2.0 | Published | Jun 14 | http://www.ccsa.org.cn/english/tc/files.php?docpath=/ITU-R/M.1457/M.1457-12/TDD |
| TTC | TS-3GA-23.081(Rel5)v5.2.0 | 5.2.0 | Approved | May 03 | http://www.ttc.or.jp/j/document_list/free/TS/TS-3GA-23.081(Rel5)v5.2.0.pdf |
| Release 6 | | | | | |
| CCSA | CCSA-TSD-TDD-23.081 | 6.0.0 | Published | Jun 14 | http://www.ccsa.org.cn/english/tc/files.php?docpath=/ITU-R/M.1457/M.1457-12/TDD |
| TTC | TS-3GA-23.081(Rel6)v6.0.0 | 6.0.0 | Approved | Mar 05 | http://www.ttc.or.jp/j/document_list/free/TS/TS-3GA-23.081(Rel6)v6.0.0.pdf |
| Release 7 | | | | | |
| CCSA | CCSA-TSD-TDD-23.081 | 7.0.0 | Published | Jun 14 | http://www.ccsa.org.cn/english/tc/files.php?docpath=/ITU-R/M.1457/M.1457-12/TDD |

| | | | | | |
|-------------------|-----------------------------|--------|-----------|--------|---|
| TTC | TS-3GA-23.081(Rel7)v7.0.0 | 7.0.0 | Approved | Mar 08 | http://www.ttc.or.jp/j/document_list/free/TS/TS-3GA-23.081(Rel7)v7.0.0.pdf |
| Release 8 | | | | | |
| CCSA | CCSA-TSD-TDD-23.081 | 8.0.0 | Published | Jun 14 | http://www.ccsa.org.cn/english/tc/files.php?docpath=/ITU-R/M.1457/M.1457-12/TDD |
| TTC | TS-3GA-23.081(Rel8)v8.0.0 | 8.0.0 | Approved | Feb 09 | http://www.ttc.or.jp/j/document_list/free/3gpps2009/TS/TS-3GA-23.081(Rel8)v8.0.0.pdf |
| Release 9 | | | | | |
| CCSA | CCSA-TSD-TDD-23.081 | 9.0.0 | Published | Jun 14 | http://www.ccsa.org.cn/english/tc/files.php?docpath=/ITU-R/M.1457/M.1457-12/TDD |
| TTC | TS-3GA-23.081(Rel9)v9.0.0 | 9.0.0 | Approved | Jul 10 | http://www.ttc.or.jp/j/document_list/free/3gpps2010/TS/TS-3GA-23.081(Rel9)v9.0.0.pdf |
| Release 10 | | | | | |
| CCSA | CCSA-TSD-TDD-23.081 | 10.0.0 | Published | Jun 14 | http://www.ccsa.org.cn/english/tc/files.php?docpath=/ITU-R/M.1457/M.1457-12/TDD |
| TTC | TS-3GA-23.081(Rel10)v10.0.0 | 10.0.0 | Approved | Jun 11 | http://www.ttc.or.jp/j/document_list/free/3gpps2011/TS/TS-3GA-23.081(Rel10)v10.0.0.pdf |
| Release 11 | | | | | |
| ATIS | ATIS.3GPP.23.081V1100-2014 | 11.0.0 | Approved | May 14 | https://www.atis.org/docstore/default.aspx |
| CCSA | CCSA-TSD-TDD-23.081 | 11.0.0 | Published | Jun 14 | http://www.ccsa.org.cn/english/tc/files.php?docpath=/ITU-R/M.1457/M.1457-12/TDD |
| TTC | TS-3GA-23.081(Rel11)v11.0.0 | 11.0.0 | Approved | Jun 13 | http://www.ttc.or.jp/j/document_list/free/3gpps2013/TS/TS-3GA-23.081(Rel11)v11.0.0.pdf |

5.3.2.12.18 TS 23.082

Call Forwarding (CF) supplementary services; Stage 2

This document gives the stage 2 description of the call forwarding supplementary services.

The group of supplementary services call offering supplementary services is divided into 4 different supplementary services:

- Call forwarding unconditional (CFU);
- Call forwarding on mobile subscriber busy (CFB);
- Call forwarding on no reply (CFNRy);
- Call forwarding on mobile subscriber not reachable (CFNRc).

| SDO (2) | Document No. | Version | Status | Issued date | Location (1) |
|-------------------|---------------------------|---------|-----------|-------------|---|
| Release 99 | | | | | |
| TTC | TS-3GA-23.082(R99)v3.7.0 | 3.7.0 | Approved | Aug 02 | http://www.ttc.or.jp/j/document_list/free/TS/TS-3GA-23.082(R99)v3.7.0.pdf |
| Release 4 | | | | | |
| CCSA | CCSA-TSD-TDD-23.082 | 4.3.0 | Published | Jun 14 | http://www.ccsa.org.cn/english/tc/files.php?docpath=/ITU-R/M.1457/M.1457-12/TDD |
| TTC | TS-3GA-23.082(Rel4)v4.3.0 | 4.3.0 | Approved | Aug 02 | http://www.ttc.or.jp/j/document_list/free/TS/TS-3GA-23.082(Rel4)v4.3.0.pdf |
| Release 5 | | | | | |
| CCSA | CCSA-TSD-TDD-23.082 | 5.0.0 | Published | Jun 14 | http://www.ccsa.org.cn/english/tc/files.php?docpath=/ITU-R/M.1457/M.1457-12/TDD |
| TTC | TS-3GA-23.082(Rel5)v5.0.0 | 5.0.0 | Approved | Aug 02 | http://www.ttc.or.jp/j/document_list/free/TS/TS-3GA-23.082(Rel5)v5.0.0.pdf |
| Release 6 | | | | | |
| CCSA | CCSA-TSD-TDD-23.082 | 6.0.0 | Published | Jun 14 | http://www.ccsa.org.cn/english/tc/files.php?docpath=/ITU-R/M.1457/M.1457-12/TDD |
| TTC | TS-3GA-23.082(Rel6)v6.0.0 | 6.0.0 | Approved | Mar 05 | http://www.ttc.or.jp/j/document_list/free/TS/TS-3GA-23.082(Rel6)v6.0.0.pdf |
| Release 7 | | | | | |

| | | | | | |
|-------------------|-----------------------------|--------|-----------|--------|---|
| CCSA | CCSA-TSD-TDD-23.082 | 7.2.0 | Published | Jun 14 | http://www.ccsa.org.cn/english/tc/files.php?docpath=/ITU-R/M.1457/M.1457-12/TDD |
| TTC | TS-3GA-23.082(Rel7)v7.2.0 | 7.2.0 | Approved | Feb 09 | http://www.ttc.or.jp/j/document_list/free/3gpps2009/TS/TS-3GA-23.082(Rel7)v7.2.0.pdf |
| Release 8 | | | | | |
| CCSA | CCSA-TSD-TDD-23.082 | 8.0.0 | Published | Jun 14 | http://www.ccsa.org.cn/english/tc/files.php?docpath=/ITU-R/M.1457/M.1457-12/TDD |
| TTC | TS-3GA-23.082(Rel8)v8.0.0 | 8.0.0 | Approved | Feb 09 | http://www.ttc.or.jp/j/document_list/free/3gpps2009/TS/TS-3GA-23.082(Rel8)v8.0.0.pdf |
| Release 9 | | | | | |
| CCSA | CCSA-TSD-TDD-23.082 | 9.0.0 | Published | Jun 14 | http://www.ccsa.org.cn/english/tc/files.php?docpath=/ITU-R/M.1457/M.1457-12/TDD |
| TTC | TS-3GA-23.082(Rel9)v9.0.0 | 9.0.0 | Approved | Jul 10 | http://www.ttc.or.jp/j/document_list/free/3gpps2010/TS/TS-3GA-23.082(Rel9)v9.0.0.pdf |
| Release 10 | | | | | |
| CCSA | CCSA-TSD-TDD-23.082 | 10.0.0 | Published | Jun 14 | http://www.ccsa.org.cn/english/tc/files.php?docpath=/ITU-R/M.1457/M.1457-12/TDD |
| TTC | TS-3GA-23.082(Rel10)v10.0.0 | 10.0.0 | Approved | Jun 11 | http://www.ttc.or.jp/j/document_list/free/3gpps2011/TS/TS-3GA-23.082(Rel10)v10.0.0.pdf |
| Release 11 | | | | | |
| ATIS | ATIS.3GPP.23.082V1100-2014 | 11.0.0 | Approved | May 14 | https://www.atis.org/docstore/default.aspx |
| CCSA | CCSA-TSD-TDD-23.082 | 11.0.0 | Published | Jun 14 | http://www.ccsa.org.cn/english/tc/files.php?docpath=/ITU-R/M.1457/M.1457-12/TDD |
| TTC | TS-3GA-23.082(Rel11)v11.0.0 | 11.0.0 | Approved | Jun 13 | http://www.ttc.or.jp/j/document_list/free/3gpps2013/TS/TS-3GA-23.082(Rel11)v11.0.0.pdf |

5.3.2.12.19 TS 23.083

Call Waiting (CW) and Call Hold (HOLD) supplementary services; Stage 2

This document gives the stage 2 description of the call completion supplementary services.

The group of call completion supplementary services is divided into the following two supplementary services:

- Call waiting (CW);
- Call hold (HOLD).

| SDO (2) | Document No. | Version | Status | Issued date | Location (1) |
|-------------------|---------------------------|---------|-----------|-------------|---|
| Release 99 | | | | | |
| TTC | JP-3GA-23.083(R99) | 3.2.0 | Approved | May 01 | http://www.ttc.or.jp/j/document_list/pdf/j/STD/JP-3GA-23.083(R99)v2.pdf |
| Release 4 | | | | | |
| CCSA | CCSA-TSD-TDD-23.083 | 4.3.0 | Published | Jun 14 | http://www.ccsa.org.cn/english/tc/files.php?docpath=/ITU-R/M.1457/M.1457-12/TDD |
| TTC | TS-3GA-23.083(Rel4)v4.3.0 | 4.3.0 | Approved | Feb 02 | http://www.ttc.or.jp/j/document_list/free/TS/TS-3GA-23.083(Rel4)v4.3.0.pdf |
| Release 5 | | | | | |
| CCSA | CCSA-TSD-TDD-23.083 | 5.1.0 | Published | Jun 14 | http://www.ccsa.org.cn/english/tc/files.php?docpath=/ITU-R/M.1457/M.1457-12/TDD |
| TTC | TS-3GA-23.083(Rel5)v5.1.0 | 5.1.0 | Approved | Nov 02 | http://www.ttc.or.jp/j/document_list/free/TS/TS-3GA-23.083(Rel5)v5.1.0.pdf |
| Release 6 | | | | | |
| CCSA | CCSA-TSD-TDD-23.083 | 6.0.0 | Published | Jun 14 | http://www.ccsa.org.cn/english/tc/files.php?docpath=/ITU-R/M.1457/M.1457-12/TDD |
| TTC | TS-3GA-23.083(Rel6)v6.0.0 | 6.0.0 | Approved | Mar 05 | http://www.ttc.or.jp/j/document_list/free/TS/TS-3GA-23.083(Rel6)v6.0.0.pdf |
| Release 7 | | | | | |
| CCSA | CCSA-TSD-TDD-23.083 | 7.0.0 | Published | Jun 14 | http://www.ccsa.org.cn/english/tc/files.php?docpath=/ITU-R/M.1457/M.1457-12/TDD |
| TTC | TS-3GA-23.083(Rel7)v7.0.0 | 7.0.0 | Approved | Mar 08 | http://www.ttc.or.jp/j/document_list/free/TS/TS-3GA-23.083(Rel7)v7.0.0.pdf |

Release 8

| | | | | | |
|------|---------------------------|-------|-----------|--------|---|
| CCSA | CCSA-TSD-TDD-23.083 | 8.0.0 | Published | Jun 14 | http://www.ccsa.org.cn/english/tc/files.php?docpath=/ITU-R/M.1457/M.1457-12/TDD |
| TTC | TS-3GA-23.083(Rel8)v8.0.0 | 8.0.0 | Approved | Feb 09 | http://www.ttc.or.jp/j/document_list/free/3gpps2009/TS/TS-3GA-23.083(Rel8)v8.0.0.pdf |

Release 9

| | | | | | |
|------|---------------------------|-------|-----------|--------|---|
| CCSA | CCSA-TSD-TDD-23.083 | 9.0.0 | Published | Jun 14 | http://www.ccsa.org.cn/english/tc/files.php?docpath=/ITU-R/M.1457/M.1457-12/TDD |
| TTC | TS-3GA-23.083(Rel9)v9.0.0 | 9.0.0 | Approved | Jul 10 | http://www.ttc.or.jp/j/document_list/free/3gpps2010/TS/TS-3GA-23.083(Rel9)v9.0.0.pdf |

Release 10

| | | | | | |
|------|-----------------------------|--------|-----------|--------|---|
| CCSA | CCSA-TSD-TDD-23.083 | 10.0.0 | Published | Jun 14 | http://www.ccsa.org.cn/english/tc/files.php?docpath=/ITU-R/M.1457/M.1457-12/TDD |
| TTC | TS-3GA-23.083(Rel10)v10.0.0 | 10.0.0 | Approved | Jun 11 | http://www.ttc.or.jp/j/document_list/free/3gpps2011/TS/TS-3GA-23.083(Rel10)v10.0.0.pdf |

Release 11

| | | | | | |
|------|-----------------------------|--------|-----------|--------|---|
| ATIS | ATIS.3GPP.23.083V1100-2014 | 11.0.0 | Approved | May 14 | https://www.atis.org/docstore/default.aspx |
| CCSA | CCSA-TSD-TDD-23.083 | 11.0.0 | Published | Jun 14 | http://www.ccsa.org.cn/english/tc/files.php?docpath=/ITU-R/M.1457/M.1457-12/TDD |
| TTC | TS-3GA-23.083(Rel11)v11.0.0 | 11.0.0 | Approved | Jun 13 | http://www.ttc.or.jp/j/document_list/free/3gpps2013/TS/TS-3GA-23.083(Rel11)v11.0.0.pdf |

5.3.2.12.20 TS 23.084**Multi Party (MPTY) supplementary service; Stage 2**

This document gives the stage 2 description of the multi party supplementary services. Only one multi party supplementary service has been defined, this is the Multi Party (MPTY) service.

| SDO (2) | Document No. | Version | Status | Issued date | Location (1) |
|-------------------|---------------------------|---------|-----------|-------------|---|
| Release 99 | | | | | |
| TTC | JP-3GA-23.084(R99) | 3.2.0 | Approved | May 01 | http://www.ttc.or.jp/j/document_list/pdf/j/STD/JP-3GA-23.084(R99)v2.pdf |
| Release 4 | | | | | |
| CCSA | CCSA-TSD-TDD-23.084 | 4.1.0 | Published | Jun 14 | http://www.ccsa.org.cn/english/tc/files.php?docpath=/ITU-R/M.1457/M.1457-12/TDD |
| TTC | TS-3GA-23.084(Rel4)v4.0.0 | 4.0.0 | Approved | May 01 | http://www.ttc.or.jp/j/document_list/free/TS/TS-3GA-23.084(Rel4)v4.0.0.pdf |
| Release 5 | | | | | |
| CCSA | CCSA-TSD-TDD-23.084 | 5.2.0 | Published | Jun 14 | http://www.ccsa.org.cn/english/tc/files.php?docpath=/ITU-R/M.1457/M.1457-12/TDD |
| TTC | TS-3GA-23.084(Rel5)v5.0.0 | 5.0.0 | Approved | May 02 | http://www.ttc.or.jp/j/document_list/free/TS/TS-3GA-23.084(Rel5)v5.0.0.pdf |
| Release 6 | | | | | |
| CCSA | CCSA-TSD-TDD-23.084 | 6.1.0 | Published | Jun 14 | http://www.ccsa.org.cn/english/tc/files.php?docpath=/ITU-R/M.1457/M.1457-12/TDD |
| TTC | TS-3GA-23.084(Rel6)v6.0.0 | 6.0.0 | Approved | Mar 05 | http://www.ttc.or.jp/j/document_list/free/TS/TS-3GA-23.084(Rel6)v6.0.0.pdf |
| Release 7 | | | | | |
| CCSA | CCSA-TSD-TDD-23.084 | 7.0.0 | Published | Jun 14 | http://www.ccsa.org.cn/english/tc/files.php?docpath=/ITU-R/M.1457/M.1457-12/TDD |
| TTC | TS-3GA-23.084(Rel7)v7.0.0 | 7.0.0 | Approved | Mar 08 | http://www.ttc.or.jp/j/document_list/free/TS/TS-3GA-23.084(Rel7)v7.0.0.pdf |
| Release 8 | | | | | |
| CCSA | CCSA-TSD-TDD-23.084 | 8.0.0 | Published | Jun 14 | http://www.ccsa.org.cn/english/tc/files.php?docpath=/ITU-R/M.1457/M.1457-12/TDD |
| TTC | TS-3GA-23.084(Rel8)v8.0.0 | 8.0.0 | Approved | Feb 09 | http://www.ttc.or.jp/j/document_list/free/3gpps2009/TS/TS-3GA-23.084(Rel8)v8.0.0.pdf |
| Release 9 | | | | | |
| CCSA | CCSA-TSD-TDD-23.084 | 9.0.0 | Published | Jun 14 | http://www.ccsa.org.cn/english/tc/files.php?docpath=/ITU-R/M.1457/M.1457-12/TDD |
| TTC | TS-3GA-23.084(Rel9)v9.0.0 | 9.0.0 | Approved | Jul 10 | http://www.ttc.or.jp/j/document_list/free/3gpps2010/TS/TS-3GA-23.084(Rel9)v9.0.0.pdf |
| Release 10 | | | | | |

| | | | | | |
|-------------------|-----------------------------|--------|-----------|--------|---|
| CCSA | CCSA-TSD-TDD-23.084 | 10.0.0 | Published | Jun 14 | http://www.ccsa.org.cn/english/tc/files.php?docpath=/ITU-R/M.1457/M.1457-12/TDD |
| TTC | TS-3GA-23.084(Rel10)v10.0.0 | 10.0.0 | Approved | Jun 11 | http://www.ttc.or.jp/j/document_list/free/3gpps2011/TS/TS-3GA-23.084(Rel10)v10.0.0.pdf |
| Release 11 | | | | | |
| ATIS | ATIS.3GPP.23.084V1100-2014 | 11.0.0 | Approved | May 14 | https://www.atis.org/docstore/default.aspx |
| CCSA | CCSA-TSD-TDD-23.084 | 11.0.0 | Published | Jun 14 | http://www.ccsa.org.cn/english/tc/files.php?docpath=/ITU-R/M.1457/M.1457-12/TDD |
| TTC | TS-3GA-23.084(Rel11)v11.0.0 | 11.0.0 | Approved | Jun 13 | http://www.ttc.or.jp/j/document_list/free/3gpps2013/TS/TS-3GA-23.084(Rel11)v11.0.0.pdf |

5.3.2.12.21 TS 23.085

Closed User Group (CUG) supplementary service; Stage 2

This document gives the stage 2 description of the closed user group supplementary service.

The community of interest supplementary service defined is:

– Closed User Group (CUG).

| SDO (2) | Document No. | Version | Status | Issued date | Location (1) |
|-------------------|-----------------------------|---------|-----------|-------------|---|
| Release 99 | | | | | |
| TTC | JP-3GA-23.085(R99) | 3.1.0 | Approved | May 01 | http://www.ttc.or.jp/j/document_list/pdf/j/STD/JP-3GA-23.085(R99)v3.pdf |
| Release 4 | | | | | |
| CCSA | CCSA-TSD-TDD-23.085 | 4.1.0 | Published | Jun 14 | http://www.ccsa.org.cn/english/tc/files.php?docpath=/ITU-R/M.1457/M.1457-12/TDD |
| TTC | TS-3GA-23.085(Rel4)v4.0.0 | 4.0.0 | Approved | May 01 | http://www.ttc.or.jp/j/document_list/free/TS/TS-3GA-23.085(Rel4)v4.0.0.pdf |
| Release 5 | | | | | |
| CCSA | CCSA-TSD-TDD-23.085 | 5.0.0 | Published | Jun 14 | http://www.ccsa.org.cn/english/tc/files.php?docpath=/ITU-R/M.1457/M.1457-12/TDD |
| TTC | TS-3GA-23.085(Rel5)v5.0.0 | 5.0.0 | Approved | Aug 02 | http://www.ttc.or.jp/j/document_list/free/TS/TS-3GA-23.085(Rel5)v5.0.0.pdf |
| Release 6 | | | | | |
| CCSA | CCSA-TSD-TDD-23.085 | 6.1.0 | Published | Jun 14 | http://www.ccsa.org.cn/english/tc/files.php?docpath=/ITU-R/M.1457/M.1457-12/TDD |
| TTC | TS-3GA-23.085(Rel6)v6.1.0 | 6.1.0 | Approved | Feb 06 | http://www.ttc.or.jp/j/document_list/free/TS/TS-3GA-23.085(Rel6)v6.1.0.pdf |
| Release 7 | | | | | |
| CCSA | CCSA-TSD-TDD-23.085 | 7.0.0 | Published | Jun 14 | http://www.ccsa.org.cn/english/tc/files.php?docpath=/ITU-R/M.1457/M.1457-12/TDD |
| TTC | TS-3GA-23.085(Rel7)v7.0.0 | 7.0.0 | Approved | Mar 08 | http://www.ttc.or.jp/j/document_list/free/TS/TS-3GA-23.085(Rel7)v7.0.0.pdf |
| Release 8 | | | | | |
| CCSA | CCSA-TSD-TDD-23.085 | 8.0.0 | Published | Jun 14 | http://www.ccsa.org.cn/english/tc/files.php?docpath=/ITU-R/M.1457/M.1457-12/TDD |
| TTC | TS-3GA-23.085(Rel8)v8.0.0 | 8.0.0 | Approved | Feb 09 | http://www.ttc.or.jp/j/document_list/free/3gpps2009/TS/TS-3GA-23.085(Rel8)v8.0.0.pdf |
| Release 9 | | | | | |
| CCSA | CCSA-TSD-TDD-23.085 | 9.0.0 | Published | Jun 14 | http://www.ccsa.org.cn/english/tc/files.php?docpath=/ITU-R/M.1457/M.1457-12/TDD |
| TTC | TS-3GA-23.085(Rel9)v9.0.0 | 9.0.0 | Approved | Jul 10 | http://www.ttc.or.jp/j/document_list/free/3gpps2010/TS/TS-3GA-23.085(Rel9)v9.0.0.pdf |
| Release 10 | | | | | |
| CCSA | CCSA-TSD-TDD-23.085 | 10.0.0 | Published | Jun 14 | http://www.ccsa.org.cn/english/tc/files.php?docpath=/ITU-R/M.1457/M.1457-12/TDD |
| TTC | TS-3GA-23.085(Rel10)v10.0.0 | 10.0.0 | Approved | Jun 11 | http://www.ttc.or.jp/j/document_list/free/3gpps2011/TS/TS-3GA-23.085(Rel10)v10.0.0.pdf |
| Release 11 | | | | | |
| ATIS | ATIS.3GPP.23.085V1100-2014 | 11.0.0 | Approved | May 14 | https://www.atis.org/docstore/default.aspx |
| CCSA | CCSA-TSD-TDD-23.085 | 11.0.0 | Published | Jun 14 | http://www.ccsa.org.cn/english/tc/files.php?docpath=/ITU-R/M.1457/M.1457-12/TDD |

TTC TS-3GA-23.085(Rel11)v11.0.0 11.0.0 Approved Jun 13 [http://www.ttc.or.jp/j/document_list/free/3gpps2013/TS/TS-3GA-23.085\(Rel11\)v11.0.0.pdf](http://www.ttc.or.jp/j/document_list/free/3gpps2013/TS/TS-3GA-23.085(Rel11)v11.0.0.pdf)

5.3.2.12.22 TS 23.086

Advice of Charge (AoC) supplementary services; Stage 2

This document gives the stage 2 description of the Advice of Charge (AoC) supplementary services.

The charging supplementary services currently defined are:

- Advice of Charge (Information) (AoCI);
- Advice of Charge (Charging) (AoCC).

| SDO (2) | Document No. | Version | Status | Issued date | Location (1) |
|-------------------|-----------------------------|---------|-----------|-------------|---|
| Release 99 | | | | | |
| TTC | JP-3GA-23.086(R99) | 3.1.0 | Approved | May 01 | http://www.ttc.or.jp/j/document_list/pdf/j/STD/JP-3GA-23.086(R99)v3.pdf |
| Release 4 | | | | | |
| CCSA | CCSA-TSD-TDD-23.086 | 4.0.0 | Published | Jun 14 | http://www.ccsa.org.cn/english/tc/files.php?docpath=/ITU-R/M.1457/M.1457-12/TDD |
| TTC | TS-3GA-23.086(Rel4)v4.0.0 | 4.0.0 | Approved | May 01 | http://www.ttc.or.jp/j/document_list/free/TS/TS-3GA-23.086(Rel4)v4.0.0.pdf |
| Release 5 | | | | | |
| CCSA | CCSA-TSD-TDD-23.086 | 5.0.0 | Published | Jun 14 | http://www.ccsa.org.cn/english/tc/files.php?docpath=/ITU-R/M.1457/M.1457-12/TDD |
| TTC | TS-3GA-23.086(Rel5)v5.0.0 | 5.0.0 | Approved | Aug 02 | http://www.ttc.or.jp/j/document_list/free/TS/TS-3GA-23.086(Rel5)v5.0.0.pdf |
| Release 6 | | | | | |
| CCSA | CCSA-TSD-TDD-23.086 | 6.1.0 | Published | Jun 14 | http://www.ccsa.org.cn/english/tc/files.php?docpath=/ITU-R/M.1457/M.1457-12/TDD |
| TTC | TS-3GA-23.086(Rel6)v6.1.0 | 6.1.0 | Approved | Feb 06 | http://www.ttc.or.jp/j/document_list/free/TS/TS-3GA-23.086(Rel6)v6.1.0.pdf |
| Release 7 | | | | | |
| CCSA | CCSA-TSD-TDD-23.086 | 7.0.0 | Published | Jun 14 | http://www.ccsa.org.cn/english/tc/files.php?docpath=/ITU-R/M.1457/M.1457-12/TDD |
| TTC | TS-3GA-23.086(Rel7)v7.0.0 | 7.0.0 | Approved | Mar 08 | http://www.ttc.or.jp/j/document_list/free/TS/TS-3GA-23.086(Rel7)v7.0.0.pdf |
| Release 8 | | | | | |
| CCSA | CCSA-TSD-TDD-23.086 | 8.0.0 | Published | Jun 14 | http://www.ccsa.org.cn/english/tc/files.php?docpath=/ITU-R/M.1457/M.1457-12/TDD |
| TTC | TS-3GA-23.086(Rel8)v8.0.0 | 8.0.0 | Approved | Feb 09 | http://www.ttc.or.jp/j/document_list/free/3gpps2009/TS/TS-3GA-23.086(Rel8)v8.0.0.pdf |
| Release 9 | | | | | |
| CCSA | CCSA-TSD-TDD-23.086 | 9.0.0 | Published | Jun 14 | http://www.ccsa.org.cn/english/tc/files.php?docpath=/ITU-R/M.1457/M.1457-12/TDD |
| TTC | TS-3GA-23.086(Rel9)v9.0.0 | 9.0.0 | Approved | Jul 10 | http://www.ttc.or.jp/j/document_list/free/3gpps2010/TS/TS-3GA-23.086(Rel9)v9.0.0.pdf |
| Release 10 | | | | | |
| CCSA | CCSA-TSD-TDD-23.086 | 10.0.0 | Published | Jun 14 | http://www.ccsa.org.cn/english/tc/files.php?docpath=/ITU-R/M.1457/M.1457-12/TDD |
| TTC | TS-3GA-23.086(Rel10)v10.0.0 | 10.0.0 | Approved | Jun 11 | http://www.ttc.or.jp/j/document_list/free/3gpps2011/TS/TS-3GA-23.086(Rel10)v10.0.0.pdf |
| Release 11 | | | | | |
| ATIS | ATIS.3GPP.23.086V1100-2014 | 11.0.0 | Approved | May 14 | https://www.atis.org/docstore/default.aspx |
| CCSA | CCSA-TSD-TDD-23.086 | 10.0.0 | Published | Jun 14 | http://www.ccsa.org.cn/english/tc/files.php?docpath=/ITU-R/M.1457/M.1457-12/TDD |
| TTC | TS-3GA-23.086(Rel11)v11.0.0 | 11.0.0 | Approved | Jun 13 | http://www.ttc.or.jp/j/document_list/free/3gpps2013/TS/TS-3GA-23.086(Rel11)v11.0.0.pdf |

5.3.2.12.23 TS 23.087

User-to-User Signalling (UUS) supplementary service; Stage 2

This document gives the stage 2 description of the User-to-User signalling supplementary services.

The User-to-user supplementary service is divided into 3 different services:

- Service 1 (UUS1);
- Service 2 (UUS2);
- Service 3 (UUS3).

| SDO (2) | Document No. | Version | Status | Issued date | Location (1) |
|-------------------|-----------------------------|---------|-----------|-------------|---|
| Release 99 | | | | | |
| TTC | JP-3GA-23.087(R99) | 3.1.0 | Approved | May 01 | http://www.ttc.or.jp/j/document_list/pdf/j/STD/JP-3GA-23.087(R99)v3.pdf |
| Release 4 | | | | | |
| CCSA | CCSA-TSD-TDD-23.087 | 4.1.0 | Published | Jun 14 | http://www.ccsa.org.cn/english/tc/files.php?docpath=/ITU-R/M.1457/M.1457-12/TDD |
| TTC | TS-3GA-23.087(Rel4)v4.0.0 | 4.0.0 | Approved | May 01 | http://www.ttc.or.jp/j/document_list/free/TS/TS-3GA-23.087(Rel4)v4.0.0.pdf |
| Release 5 | | | | | |
| CCSA | CCSA-TSD-TDD-23.087 | 5.2.0 | Published | Jun 14 | http://www.ccsa.org.cn/english/tc/files.php?docpath=/ITU-R/M.1457/M.1457-12/TDD |
| TTC | TS-3GA-23.087(Rel5)v5.0.0 | 5.0.0 | Approved | Aug 02 | http://www.ttc.or.jp/j/document_list/free/TS/TS-3GA-23.087(Rel5)v5.0.0.pdf |
| Release 6 | | | | | |
| CCSA | CCSA-TSD-TDD-23.087 | 6.0.0 | Published | Jun 14 | http://www.ccsa.org.cn/english/tc/files.php?docpath=/ITU-R/M.1457/M.1457-12/TDD |
| TTC | TS-3GA-23.087(Rel6)v6.0.0 | 6.0.0 | Approved | Mar 05 | http://www.ttc.or.jp/j/document_list/free/TS/TS-3GA-23.087(Rel6)v6.0.0.pdf |
| Release 7 | | | | | |
| CCSA | CCSA-TSD-TDD-23.087 | 7.0.0 | Published | Jun 14 | http://www.ccsa.org.cn/english/tc/files.php?docpath=/ITU-R/M.1457/M.1457-12/TDD |
| TTC | TS-3GA-23.087(Rel7)v7.0.0 | 7.0.0 | Approved | Mar 08 | http://www.ttc.or.jp/j/document_list/free/TS/TS-3GA-23.087(Rel7)v7.0.0.pdf |
| Release 8 | | | | | |
| CCSA | CCSA-TSD-TDD-23.087 | 8.0.0 | Published | Jun 14 | http://www.ccsa.org.cn/english/tc/files.php?docpath=/ITU-R/M.1457/M.1457-12/TDD |
| TTC | TS-3GA-23.087(Rel8)v8.0.0 | 8.0.0 | Approved | Feb 09 | http://www.ttc.or.jp/j/document_list/free/3gpps2009/TS/TS-3GA-23.087(Rel8)v8.0.0.pdf |
| Release 9 | | | | | |
| CCSA | CCSA-TSD-TDD-23.087 | 9.0.0 | Published | Jun 14 | http://www.ccsa.org.cn/english/tc/files.php?docpath=/ITU-R/M.1457/M.1457-12/TDD |
| TTC | TS-3GA-23.087(Rel9)v9.0.0 | 9.0.0 | Approved | Jul 10 | http://www.ttc.or.jp/j/document_list/free/3gpps2010/TS/TS-3GA-23.087(Rel9)v9.0.0.pdf |
| Release 10 | | | | | |
| CCSA | CCSA-TSD-TDD-23.087 | 10.0.0 | Published | Jun 14 | http://www.ccsa.org.cn/english/tc/files.php?docpath=/ITU-R/M.1457/M.1457-12/TDD |
| TTC | TS-3GA-23.087(Rel10)v10.0.0 | 10.0.0 | Approved | Jun 11 | http://www.ttc.or.jp/j/document_list/free/3gpps2011/TS/TS-3GA-23.087(Rel10)v10.0.0.pdf |
| Release 11 | | | | | |
| ATIS | ATIS.3GPP.23.087V1100-2014 | 11.0.0 | Approved | May 14 | https://www.atis.org/docstore/default.aspx |
| CCSA | CCSA-TSD-TDD-23.087 | 10.0.0 | Published | Jun 14 | http://www.ccsa.org.cn/english/tc/files.php?docpath=/ITU-R/M.1457/M.1457-12/TDD |
| TTC | TS-3GA-23.087(Rel11)v11.0.0 | 11.0.0 | Approved | Jun 13 | http://www.ttc.or.jp/j/document_list/free/3gpps2013/TS/TS-3GA-23.087(Rel11)v11.0.0.pdf |

5.3.2.12.24 TS 23.088

Call Barring (CB) Supplementary Services; Stage 2

This document gives the stage 2 description of the call barring services.

The possibility for a mobile subscriber to have certain categories of calls barred originated from or terminated at his access:

Barring of outgoing calls:

- Barring of all outgoing calls (BAOC) (Barring program 1);
- Barring of outgoing international calls (BOIC) (Barring program 2);
- Barring of outgoing international calls EXCEPT those directed to the home PLMN country (BOIC-exHC) (Barring program 3).

Barring of incoming calls:

- Barring of all incoming calls (BAIC) (Barring program 1);
- Barring of incoming calls when roaming outside the home PLMN country (BIC-Roam) (Barring program 2);
- Anonymous Call Rejection (ACR) (Barring program 3).

The call barring program "incoming calls when roaming outside the home PLMN country" is only relevant if as a general rule the called mobile subscriber pays the charges for the forwarded part of the call from his home PLMN country to any other country.

| SDO (2) | Document No. | Version | Status | Issued date | Location (1) |
|-------------------|---------------------------|---------|-----------|-------------|---|
| Release 99 | | | | | |
| TTC | JP-3GA-23.088(R99) | 3.2.0 | Approved | May 01 | http://www.ttc.or.jp/j/document_list/pdf/j/STD/JP-3GA-23.088(R99)v3.pdf |
| Release 4 | | | | | |
| CCSA | CCSA-TSD-TDD-23.088 | 4.0.0 | Published | Jun 14 | http://www.ccsa.org.cn/english/tc/files.php?docpath=/ITU-R/M.1457/M.1457-12/TDD |
| TTC | TS-3GA-23.088(Rel4)v4.0.0 | 4.0.0 | Approved | May 01 | http://www.ttc.or.jp/j/document_list/free/TS/TS-3GA-23.088(Rel4)v4.0.0.pdf |
| Release 5 | | | | | |
| CCSA | CCSA-TSD-TDD-23.088 | 5.0.0 | Published | Jun 14 | http://www.ccsa.org.cn/english/tc/files.php?docpath=/ITU-R/M.1457/M.1457-12/TDD |
| TTC | TS-3GA-23.088(Rel5)v5.0.0 | 5.0.0 | Approved | Aug 02 | http://www.ttc.or.jp/j/document_list/free/TS/TS-3GA-23.088(Rel5)v5.0.0.pdf |
| Release 6 | | | | | |
| CCSA | CCSA-TSD-TDD-23.088 | 6.0.0 | Published | Jun 14 | http://www.ccsa.org.cn/english/tc/files.php?docpath=/ITU-R/M.1457/M.1457-12/TDD |
| TTC | TS-3GA-23.088(Rel6)v6.0.0 | 6.0.0 | Approved | Mar 05 | http://www.ttc.or.jp/j/document_list/free/TS/TS-3GA-23.088(Rel6)v6.0.0.pdf |
| Release 7 | | | | | |
| CCSA | CCSA-TSD-TDD-23.088 | 7.0.0 | Published | Jun 14 | http://www.ccsa.org.cn/english/tc/files.php?docpath=/ITU-R/M.1457/M.1457-12/TDD |
| TTC | TS-3GA-23.088(Rel7)v7.0.0 | 7.0.0 | Approved | Mar 08 | http://www.ttc.or.jp/j/document_list/free/TS/TS-3GA-23.088(Rel7)v7.0.0.pdf |
| Release 8 | | | | | |
| CCSA | CCSA-TSD-TDD-23.088 | 8.0.0 | Published | Jun 14 | http://www.ccsa.org.cn/english/tc/files.php?docpath=/ITU-R/M.1457/M.1457-12/TDD |
| TTC | TS-3GA-23.088(Rel8)v8.0.0 | 8.0.0 | Approved | Feb 09 | http://www.ttc.or.jp/j/document_list/free/3gpps2009/TS/TS-3GA-23.088(Rel8)v8.0.0.pdf |
| Release 9 | | | | | |

| | | | | | |
|-------------------|-----------------------------|--------|-----------|--------|---|
| CCSA | CCSA-TSD-TDD-23.088 | 9.0.0 | Published | Jun 14 | http://www.ccsa.org.cn/english/tc/files.php?docpath=/ITU-R/M.1457/M.1457-12/TDD |
| TTC | TS-3GA-23.088(Rel9)v9.0.0 | 9.0.0 | Approved | Jul 10 | http://www.ttc.or.jp/j/document_list/free/3gpps2010/TS/TS-3GA-23.088(Rel9)v9.0.0.pdf |
| Release 10 | | | | | |
| CCSA | CCSA-TSD-TDD-23.088 | 10.0.0 | Published | Jun 14 | http://www.ccsa.org.cn/english/tc/files.php?docpath=/ITU-R/M.1457/M.1457-12/TDD |
| TTC | TS-3GA-23.088(Rel10)v10.0.0 | 10.0.0 | Approved | Jun 11 | http://www.ttc.or.jp/j/document_list/free/3gpps2011/TS/TS-3GA-23.088(Rel10)v10.0.0.pdf |
| Release 11 | | | | | |
| ATIS | ATIS.3GPP.23.088V1110-2014 | 11.1.0 | Approved | May 14 | https://www.atis.org/docstore/default.aspx |
| CCSA | CCSA-TSD-TDD-23.088 | 11.3.0 | Published | Jun 14 | http://www.ccsa.org.cn/english/tc/files.php?docpath=/ITU-R/M.1457/M.1457-12/TDD |
| TTC | TS-3GA-23.088(Rel11)v11.1.0 | 11.1.0 | Approved | Jun 13 | http://www.ttc.or.jp/j/document_list/free/3gpps2013/TS/TS-3GA-23.088(Rel11)v11.1.0.pdf |

5.3.2.12.25 TS 23.090

Unstructured Supplementary Service Data (USSD); Stage 2

This document gives the stage 2 description of Unstructured Supplementary Service Data (USSD). The unstructured supplementary service data (USSD) mechanism allows the Mobile Station (MS) user and a PLMN operator defined application to communicate in a way which is transparent to the MS and to intermediate network entities. The mechanism allows development of PLMN specific supplementary services. This document defines the requirements for handling USSD at the MS and network entities.

| SDO (2) | Document No. | Version | Status | Issued date | Location (1) |
|-------------------|---------------------------|---------|-----------|-------------|---|
| Release 99 | | | | | |
| CCSA | CCSA-TSD-TDD-23.090 | 3.2.0 | Published | Jun 12 | http://www.ccsa.org.cn/english/tc/files.php?docpath=/ITU-R/M.1457/M.1457-12/TDD |
| ETSI | ETSI TS 123 090 | 3.2.0 | Published | Nov 00 | http://www.etsi.org/deliver/etsi_ts/123000_123099/123090/03.02.00_60/ |
| TTC | JP-3GA-23.090(R99) | 3.2.0 | Approved | May 01 | http://www.ttc.or.jp/j/document_list/pdf/j/STD/JP-3GA-23.090(R99)v2.pdf |
| Release 4 | | | | | |
| CCSA | CCSA-TSD-TDD-23.090 | 4.0.0 | Published | Jun 12 | http://www.ccsa.org.cn/english/tc/files.php?docpath=/ITU-R/M.1457/M.1457-12/TDD |
| ETSI | ETSI TS 123 090 | 4.0.0 | Published | Apr 01 | http://www.etsi.org/deliver/etsi_ts/123000_123099/123090/04.00.00_60/ |
| TTC | TS-3GA-23.090(Rel4)v4.0.0 | 4.0.0 | Approved | May 01 | http://www.ttc.or.jp/j/document_list/free/TS/TS-3GA-23.090(Rel4)v4.0.0.pdf |
| Release 5 | | | | | |
| CCSA | CCSA-TSD-TDD-23.090 | 5.0.0 | Published | Jun 12 | http://www.ccsa.org.cn/english/tc/files.php?docpath=/ITU-R/M.1457/M.1457-12/TDD |
| ETSI | ETSI TS 123 090 | 5.0.0 | Published | Jul 02 | http://www.etsi.org/deliver/etsi_ts/123000_123099/123090/05.00.00_60/ |
| TTC | TS-3GA-23.090(Rel5)v5.0.0 | 5.0.0 | Approved | Aug 02 | http://www.ttc.or.jp/j/document_list/free/TS/TS-3GA-23.090(Rel5)v5.0.0.pdf |
| Release 6 | | | | | |
| CCSA | CCSA-TSD-TDD-23.090 | 6.1.0 | Published | Jun 12 | http://www.ccsa.org.cn/english/tc/files.php?docpath=/ITU-R/M.1457/M.1457-12/TDD |
| ETSI | ETSI TS 123 090 | 6.1.0 | Published | Jan 06 | http://www.etsi.org/deliver/etsi_ts/123000_123099/123090/06.01.00_60/ |
| TTC | TS-3GA-23.090(Rel6)v6.1.0 | 6.1.0 | Approved | Feb 06 | http://www.ttc.or.jp/j/document_list/free/TS/TS-3GA-23.090(Rel6)v6.1.0.pdf |
| Release 7 | | | | | |
| CCSA | CCSA-TSD-TDD-23.090 | 7.0.0 | Published | Jun 12 | http://www.ccsa.org.cn/english/tc/files.php?docpath=/ITU-R/M.1457/M.1457-12/TDD |
| ETSI | ETSI TS 123 090 | 7.0.0 | Published | Jul 07 | http://www.etsi.org/deliver/etsi_ts/123000_123099/123090/07.00.00_60/ |
| TTC | TS-3GA-23.090(Rel7)v7.0.0 | 7.0.0 | Approved | Mar 08 | http://www.ttc.or.jp/j/document_list/free/TS/TS-3GA-23.090(Rel7)v7.0.0.pdf |
| Release 8 | | | | | |
| CCSA | CCSA-TSD-TDD-23.090 | 8.0.0 | Published | Jun 12 | http://www.ccsa.org.cn/english/tc/files.php?docpath=/ITU-R/M.1457/M.1457-12/TDD |
| ETSI | ETSI TS 123 090 | 8.0.0 | Published | Jan 09 | http://www.etsi.org/deliver/etsi_ts/123000_123099/123090/08.00.00_60/ |

| | | | | | |
|-------------------|-----------------------------|--------|-----------|--------|---|
| TTC | TS-3GA-23.090(Rel8)v8.0.0 | 8.0.0 | Approved | Feb 09 | http://www.ttc.or.jp/j/document_list/free/3gpps2009/TS/TS-3GA-23.090(Rel8)v8.0.0.pdf |
| Release 9 | | | | | |
| CCSA | CCSA-TSD-TDD-23.090 | 9.0.0 | Published | Jun 12 | http://www.ccsa.org.cn/english/tc/files.php?docpath=/ITU-R/M.1457/M.1457-12/TDD |
| ETSI | ETSI TS 123 090 | 9.0.0 | Published | Jan 10 | http://www.etsi.org/deliver/etsi_ts/123000_123099/123090/09.00.00_60/ |
| TTC | TS-3GA-23.090(Rel9)v9.0.0 | 9.0.0 | Approved | Jul 10 | http://www.ttc.or.jp/j/document_list/free/3gpps2010/TS/TS-3GA-23.090(Rel9)v9.0.0.pdf |
| Release 10 | | | | | |
| ATIS | ATIS.3GPP.23.090V1000-2012 | 10.0.0 | Approved | Jul 12 | https://www.atis.org/docstore/default.aspx |
| CCSA | CCSA-TSD-TDD-23.090 | 10.0.0 | Published | Jun 12 | http://www.ccsa.org.cn/english/tc/files.php?docpath=/ITU-R/M.1457/M.1457-12/TDD |
| ETSI | ETSI TS 123 090 | 10.0.0 | Published | May 11 | http://www.etsi.org/deliver/etsi_ts/123000_123099/123090/10.00.00_60/ |
| TTC | TS-3GA-23.090(Rel10)v10.0.0 | 10.0.0 | Approved | Jun 11 | http://www.ttc.or.jp/j/document_list/free/3gpps2011/TS/TS-3GA-23.090(Rel10)v10.0.0.pdf |
| Release 11 | | | | | |
| ATIS | ATIS.3GPP.23.090V1100-2014 | 11.0.0 | Approved | May 14 | https://www.atis.org/docstore/default.aspx |
| CCSA | CCSA-TSD-TDD-23.090 | 11.0.0 | Published | Jun 14 | http://www.ccsa.org.cn/english/tc/files.php?docpath=/ITU-R/M.1457/M.1457-12/TDD |
| ETSI | ETSI TS 123 090 | 11.0.0 | Published | Oct 12 | http://www.etsi.org/deliver/etsi_ts/123000_123099/123090/11.00.00_60/ |
| TTC | TS-3GA-23.090(Rel11)v11.0.0 | 11.0.0 | Approved | Jun 13 | http://www.ttc.or.jp/j/document_list/free/3gpps2013/TS/TS-3GA-23.090(Rel11)v11.0.0.pdf |

5.3.2.12.26 TS 23.091

Explicit Call Transfer (ECT) supplementary service; Stage 2

This document gives the stage 2 description of the call transfer supplementary services.

Only one call transfer supplementary service has been defined, this is the Explicit Call Transfer (ECT) supplementary service, and it is described in this document.

| SDO (2) | Document No. | Version | Status | Issued date | Location (1) |
|-------------------|---------------------------|---------|-----------|-------------|---|
| Release 99 | | | | | |
| TTC | JP-3GA-23.091(R99) | 3.2.0 | Approved | May 01 | http://www.ttc.or.jp/j/document_list/pdf/j/STD/JP-3GA-23.091(R99)v2.pdf |
| Release 4 | | | | | |
| CCSA | CCSA-TSD-TDD-23.091 | 4.1.0 | Published | Jun 14 | http://www.ccsa.org.cn/english/tc/files.php?docpath=/ITU-R/M.1457/M.1457-12/TDD |
| TTC | TS-3GA-23.091(Rel4)v4.1.0 | 4.1.0 | Approved | Nov 02 | http://www.ttc.or.jp/j/document_list/free/TS/TS-3GA-23.091(Rel4)v4.1.0.pdf |
| Release 5 | | | | | |
| CCSA | CCSA-TSD-TDD-23.091 | 5.1.0 | Published | Jun 14 | http://www.ccsa.org.cn/english/tc/files.php?docpath=/ITU-R/M.1457/M.1457-12/TDD |
| TTC | TS-3GA-23.091(Rel5)v5.1.0 | 5.1.0 | Approved | Nov 02 | http://www.ttc.or.jp/j/document_list/free/TS/TS-3GA-23.091(Rel5)v5.1.0.pdf |
| Release 6 | | | | | |
| CCSA | CCSA-TSD-TDD-23.091 | 6.0.0 | Published | Jun 14 | http://www.ccsa.org.cn/english/tc/files.php?docpath=/ITU-R/M.1457/M.1457-12/TDD |
| TTC | TS-3GA-23.091(Rel6)v6.0.0 | 6.0.0 | Approved | Mar 05 | http://www.ttc.or.jp/j/document_list/free/TS/TS-3GA-23.091(Rel6)v6.0.0.pdf |
| Release 7 | | | | | |
| CCSA | CCSA-TSD-TDD-23.091 | 7.0.0 | Published | Jun 14 | http://www.ccsa.org.cn/english/tc/files.php?docpath=/ITU-R/M.1457/M.1457-12/TDD |
| TTC | TS-3GA-23.091(Rel7)v7.0.0 | 7.0.0 | Approved | Mar 08 | http://www.ttc.or.jp/j/document_list/free/TS/TS-3GA-23.091(Rel7)v7.0.0.pdf |
| Release 8 | | | | | |
| CCSA | CCSA-TSD-TDD-23.091 | 8.0.0 | Published | Jun 14 | http://www.ccsa.org.cn/english/tc/files.php?docpath=/ITU-R/M.1457/M.1457-12/TDD |

| | | | | | |
|-------------------|-----------------------------|--------|-----------|--------|---|
| TTC | TS-3GA-23.091(Rel8)v8.0.0 | 8.0.0 | Approved | Feb 09 | http://www.ttc.or.jp/j/document_list/free/3gpps2009/TS/TS-3GA-23.091(Rel8)v8.0.0.pdf |
| Release 9 | | | | | |
| CCSA | CCSA-TSD-TDD-23.091 | 9.0.0 | Published | Jun 14 | http://www.ccsa.org.cn/english/tc/files.php?docpath=/ITU-R/M.1457/M.1457-12/TDD |
| TTC | TS-3GA-23.091(Rel9)v9.0.0 | 9.0.0 | Approved | Jul 10 | http://www.ttc.or.jp/j/document_list/free/3gpps2010/TS/TS-3GA-23.091(Rel9)v9.0.0.pdf |
| Release 10 | | | | | |
| CCSA | CCSA-TSD-TDD-23.091 | 10.0.0 | Published | Jun 14 | http://www.ccsa.org.cn/english/tc/files.php?docpath=/ITU-R/M.1457/M.1457-12/TDD |
| TTC | TS-3GA-23.091(Rel10)v10.0.0 | 10.0.0 | Approved | Jun 11 | http://www.ttc.or.jp/j/document_list/free/3gpps2011/TS/TS-3GA-23.091(Rel10)v10.0.0.pdf |
| Release 11 | | | | | |
| ATIS | ATIS.3GPP.23.091V1100-2014 | 11.0.0 | Approved | May 14 | https://www.atis.org/docstore/default.aspx |
| CCSA | CCSA-TSD-TDD-23.091 | 11.0.0 | Published | Jun 14 | http://www.ccsa.org.cn/english/tc/files.php?docpath=/ITU-R/M.1457/M.1457-12/TDD |
| TTC | TS-3GA-23.091(Rel11)v11.0.0 | 11.0.0 | Approved | Jun 13 | http://www.ttc.or.jp/j/document_list/free/3gpps2013/TS/TS-3GA-23.091(Rel11)v11.0.0.pdf |

5.3.2.12.27 TS 23.093

Technical realization of Completion of Calls to Busy Subscriber (CCBS); Stage 2

This document gives the stage 2 description of the Completion of Calls to Busy Subscriber (CCBS) supplementary service.

| SDO (2) | Document No. | Version | Status | Issued date | Location (1) |
|-------------------|-----------------------------|---------|-----------|-------------|---|
| Release 99 | | | | | |
| TTC | JP-3GA-23.093(R99) | 3.2.0 | Approved | May 01 | http://www.ttc.or.jp/j/document_list/pdf/j/STD/JP-3GA-23.093(R99)v2.pdf |
| Release 4 | | | | | |
| CCSA | CCSA-TSD-TDD-23.093 | 4.0.0 | Published | Jun 14 | http://www.ccsa.org.cn/english/tc/files.php?docpath=/ITU-R/M.1457/M.1457-12/TDD |
| TTC | TS-3GA-23.093(Rel4)v4.0.0 | 4.0.0 | Approved | May 01 | http://www.ttc.or.jp/j/document_list/free/TS/TS-3GA-23.093(Rel4)v4.0.0.pdf |
| Release 5 | | | | | |
| CCSA | CCSA-TSD-TDD-23.093 | 5.0.0 | Published | Jun 14 | http://www.ccsa.org.cn/english/tc/files.php?docpath=/ITU-R/M.1457/M.1457-12/TDD |
| TTC | TS-3GA-23.093(Rel5)v5.0.0 | 5.0.0 | Approved | Aug 02 | http://www.ttc.or.jp/j/document_list/free/TS/TS-3GA-23.093(Rel5)v5.0.0.pdf |
| Release 6 | | | | | |
| CCSA | CCSA-TSD-TDD-23.093 | 6.0.0 | Published | Jun 14 | http://www.ccsa.org.cn/english/tc/files.php?docpath=/ITU-R/M.1457/M.1457-12/TDD |
| TTC | TS-3GA-23.093(Rel6)v6.0.0 | 6.0.0 | Approved | Mar 05 | http://www.ttc.or.jp/j/document_list/free/TS/TS-3GA-23.093(Rel6)v6.0.0.pdf |
| Release 7 | | | | | |
| CCSA | CCSA-TSD-TDD-23.093 | 7.0.0 | Published | Jun 14 | http://www.ccsa.org.cn/english/tc/files.php?docpath=/ITU-R/M.1457/M.1457-12/TDD |
| TTC | TS-3GA-23.093(Rel7)v7.3.0 | 7.3.0 | Approved | Feb 09 | http://www.ttc.or.jp/j/document_list/free/3gpps2009/TS/TS-3GA-23.093(Rel7)v7.3.0.pdf |
| Release 8 | | | | | |
| CCSA | CCSA-TSD-TDD-23.093 | 8.0.0 | Published | Jun 14 | http://www.ccsa.org.cn/english/tc/files.php?docpath=/ITU-R/M.1457/M.1457-12/TDD |
| TTC | TS-3GA-23.093(Rel8)v8.0.0 | 8.0.0 | Approved | Feb 09 | http://www.ttc.or.jp/j/document_list/free/3gpps2009/TS/TS-3GA-23.093(Rel8)v8.0.0.pdf |
| Release 9 | | | | | |
| CCSA | CCSA-TSD-TDD-23.093 | 9.0.0 | Published | Jun 14 | http://www.ccsa.org.cn/english/tc/files.php?docpath=/ITU-R/M.1457/M.1457-12/TDD |
| TTC | TS-3GA-23.093(Rel9)v9.0.0 | 9.0.0 | Approved | Jul 10 | http://www.ttc.or.jp/j/document_list/free/3gpps2010/TS/TS-3GA-23.093(Rel9)v9.0.0.pdf |
| Release 10 | | | | | |
| CCSA | CCSA-TSD-TDD-23.093 | 10.0.1 | Published | Jun 14 | http://www.ccsa.org.cn/english/tc/files.php?docpath=/ITU-R/M.1457/M.1457-12/TDD |
| TTC | TS-3GA-23.093(Rel10)v10.0.0 | 10.0.0 | Approved | Jun 11 | http://www.ttc.or.jp/j/document_list/free/3gpps2011/TS/TS-3GA-23.093(Rel10)v10.0.0.pdf |
| Release 11 | | | | | |

| | | | | | |
|------|-----------------------------|--------|-----------|--------|---|
| ATIS | ATIS.3GPP.23.093V1100-2014 | 11.0.0 | Approved | May 14 | https://www.atis.org/docstore/default.aspx |
| CCSA | CCSA-TSD-TDD-23.093 | 11.0.0 | Published | Jun 14 | http://www.ccsa.org.cn/english/tc/files.php?docpath=/ITU-R/M.1457/M.1457-12/TDD |
| TTC | TS-3GA-23.093(Rel11)v11.0.0 | 11.0.0 | Approved | Jun 13 | http://www.ttc.or.jp/j/document_list/free/3gpps2013/TS/TS-3GA-23.093(Rel11)v11.0.0.pdf |

5.3.2.12.28 TS 23.094

Follow-Me (FM); Stage 2

This document specifies the stage 2 description for the Follow Me feature.

The Follow Me feature enables a mobile subscriber A to manipulate the Follow Me data of a remote party B in such a way that subsequent calls directed to remote party B will be forwarded to subscriber A.

| SDO (2) | Document No. | Version | Status | Issued date | Location (1) |
|-------------------|-----------------------------|---------|-----------|-------------|---|
| Release 99 | | | | | |
| TTC | JP-3GA-23.094(R99) | 3.2.0 | Approved | May 01 | http://www.ttc.or.jp/j/document_list/pdf/j/STD/JP-3GA-23.094(R99)v2.pdf |
| Release 4 | | | | | |
| CCSA | CCSA-TSD-TDD-23.094 | 4.0.0 | Published | Jun 14 | http://www.ccsa.org.cn/english/tc/files.php?docpath=/ITU-R/M.1457/M.1457-12/TDD |
| TTC | TS-3GA-23.094(Rel4)v4.0.0 | 4.0.0 | Approved | May 01 | http://www.ttc.or.jp/j/document_list/free/TS/TS-3GA-23.094(Rel4)v4.0.0.pdf |
| Release 5 | | | | | |
| CCSA | CCSA-TSD-TDD-23.094 | 5.0.1 | Published | Jun 14 | http://www.ccsa.org.cn/english/tc/files.php?docpath=/ITU-R/M.1457/M.1457-12/TDD |
| TTC | TS-3GA-23.094(Rel5)v5.0.1 | 5.0.1 | Approved | Aug 02 | http://www.ttc.or.jp/j/document_list/free/TS/TS-3GA-23.094(Rel5)v5.0.1.pdf |
| Release 6 | | | | | |
| CCSA | CCSA-TSD-TDD-23.094 | 6.0.0 | Published | Jun 14 | http://www.ccsa.org.cn/english/tc/files.php?docpath=/ITU-R/M.1457/M.1457-12/TDD |
| TTC | TS-3GA-23.094(Rel6)v6.0.0 | 6.0.0 | Approved | Mar 05 | http://www.ttc.or.jp/j/document_list/free/TS/TS-3GA-23.094(Rel6)v6.0.0.pdf |
| Release 7 | | | | | |
| CCSA | CCSA-TSD-TDD-23.094 | 7.0.0 | Published | Jun 14 | http://www.ccsa.org.cn/english/tc/files.php?docpath=/ITU-R/M.1457/M.1457-12/TDD |
| TTC | TS-3GA-23.094(Rel7)v7.0.0 | 7.0.0 | Approved | Mar 08 | http://www.ttc.or.jp/j/document_list/free/TS/TS-3GA-23.094(Rel7)v7.0.0.pdf |
| Release 8 | | | | | |
| CCSA | CCSA-TSD-TDD-23.094 | 8.0.0 | Published | Jun 14 | http://www.ccsa.org.cn/english/tc/files.php?docpath=/ITU-R/M.1457/M.1457-12/TDD |
| TTC | TS-3GA-23.094(Rel8)v8.0.0 | 8.0.0 | Approved | Feb 09 | http://www.ttc.or.jp/j/document_list/free/3gpps2009/TS/TS-3GA-23.094(Rel8)v8.0.0.pdf |
| Release 9 | | | | | |
| CCSA | CCSA-TSD-TDD-23.094 | 9.0.0 | Published | Jun 14 | http://www.ccsa.org.cn/english/tc/files.php?docpath=/ITU-R/M.1457/M.1457-12/TDD |
| TTC | TS-3GA-23.094(Rel9)v9.0.0 | 9.0.0 | Approved | Jul 10 | http://www.ttc.or.jp/j/document_list/free/3gpps2010/TS/TS-3GA-23.094(Rel9)v9.0.0.pdf |
| Release 10 | | | | | |
| CCSA | CCSA-TSD-TDD-23.094 | 10.0.0 | Published | Jun 14 | http://www.ccsa.org.cn/english/tc/files.php?docpath=/ITU-R/M.1457/M.1457-12/TDD |
| TTC | TS-3GA-23.094(Rel10)v10.0.0 | 10.0.0 | Approved | Jun 11 | http://www.ttc.or.jp/j/document_list/free/3gpps2011/TS/TS-3GA-23.094(Rel10)v10.0.0.pdf |
| Release 11 | | | | | |
| ATIS | ATIS.3GPP.23.094V1100-2014 | 11.0.0 | Approved | May 14 | https://www.atis.org/docstore/default.aspx |
| CCSA | CCSA-TSD-TDD-23.094 | 11.0.0 | Published | Jun 14 | http://www.ccsa.org.cn/english/tc/files.php?docpath=/ITU-R/M.1457/M.1457-12/TDD |
| TTC | TS-3GA-23.094(Rel11)v11.0.0 | 11.0.0 | Approved | Jun 13 | http://www.ttc.or.jp/j/document_list/free/3gpps2013/TS/TS-3GA-23.094(Rel11)v11.0.0.pdf |

5.3.2.12.29 TS 23.096**Name identification supplementary services; Stage 2**

This document gives the stage 2 description of the Name Identification Supplementary Services.

The group of Name Identification Supplementary Services contains the following Supplementary Service:

CNAP - Calling name presentation.

| SDO (2) | Document No. | Version | Status | Issued date | Location (1) |
|-------------------|-----------------------------|---------|-----------|-------------|---|
| Release 99 | | | | | |
| TTC | JP-3GA-23.096(R99) | 3.0.1 | Approved | Nov 00 | http://www.ttc.or.jp/j/document_list/pdf/j/STD/JP-3GA-23.096(R99)v2.pdf |
| Release 4 | | | | | |
| CCSA | CCSA-TSD-TDD-23.096 | 4.0.0 | Published | Jun 14 | http://www.ccsa.org.cn/english/tc/files.php?docpath=/ITU-R/M.1457/M.1457-12/TDD |
| TTC | TS-3GA-23.096(Rel4)v4.0.0 | 4.0.0 | Approved | May 01 | http://www.ttc.or.jp/j/document_list/free/TS/TS-3GA-23.096(Rel4)v4.0.0.pdf |
| Release 5 | | | | | |
| CCSA | CCSA-TSD-TDD-23.096 | 5.0.0 | Published | Jun 14 | http://www.ccsa.org.cn/english/tc/files.php?docpath=/ITU-R/M.1457/M.1457-12/TDD |
| TTC | TS-3GA-23.096(Rel5)v5.0.0 | 5.0.0 | Approved | Aug 02 | http://www.ttc.or.jp/j/document_list/free/TS/TS-3GA-23.096(Rel5)v5.0.0.pdf |
| Release 6 | | | | | |
| CCSA | CCSA-TSD-TDD-23.096 | 6.1.0 | Published | Jun 14 | http://www.ccsa.org.cn/english/tc/files.php?docpath=/ITU-R/M.1457/M.1457-12/TDD |
| TTC | TS-3GA-23.096(Rel6)v6.1.0 | 6.1.0 | Approved | Feb 06 | http://www.ttc.or.jp/j/document_list/free/TS/TS-3GA-23.096(Rel6)v6.1.0.pdf |
| Release 7 | | | | | |
| CCSA | CCSA-TSD-TDD-23.096 | 7.0.0 | Published | Jun 14 | http://www.ccsa.org.cn/english/tc/files.php?docpath=/ITU-R/M.1457/M.1457-12/TDD |
| TTC | TS-3GA-23.096(Rel7)v7.0.0 | 7.0.0 | Approved | Mar 08 | http://www.ttc.or.jp/j/document_list/free/TS/TS-3GA-23.096(Rel7)v7.0.0.pdf |
| Release 8 | | | | | |
| CCSA | CCSA-TSD-TDD-23.096 | 8.0.0 | Published | Jun 14 | http://www.ccsa.org.cn/english/tc/files.php?docpath=/ITU-R/M.1457/M.1457-12/TDD |
| TTC | TS-3GA-23.096(Rel8)v8.0.0 | 8.0.0 | Approved | Feb 09 | http://www.ttc.or.jp/j/document_list/free/3gpps2009/TS/TS-3GA-23.096(Rel8)v8.0.0.pdf |
| Release 9 | | | | | |
| CCSA | CCSA-TSD-TDD-23.096 | 9.0.0 | Published | Jun 14 | http://www.ccsa.org.cn/english/tc/files.php?docpath=/ITU-R/M.1457/M.1457-12/TDD |
| TTC | TS-3GA-23.096(Rel9)v9.0.0 | 9.0.0 | Approved | Jul 10 | http://www.ttc.or.jp/j/document_list/free/3gpps2010/TS/TS-3GA-23.096(Rel9)v9.0.0.pdf |
| Release 10 | | | | | |
| CCSA | CCSA-TSD-TDD-23.096 | 10.0.0 | Published | Jun 14 | http://www.ccsa.org.cn/english/tc/files.php?docpath=/ITU-R/M.1457/M.1457-12/TDD |
| TTC | TS-3GA-23.096(Rel10)v10.0.0 | 10.0.0 | Approved | Jun 11 | http://www.ttc.or.jp/j/document_list/free/3gpps2011/TS/TS-3GA-23.096(Rel10)v10.0.0.pdf |
| Release 11 | | | | | |
| ATIS | ATIS.3GPP.23.096V1100-2014 | 11.0.0 | Approved | May 14 | https://www.atis.org/docstore/default.aspx |
| CCSA | CCSA-TSD-TDD-23.096 | 11.0.0 | Published | Jun 14 | http://www.ccsa.org.cn/english/tc/files.php?docpath=/ITU-R/M.1457/M.1457-12/TDD |
| TTC | TS-3GA-23.096(Rel11)v11.0.0 | 11.0.0 | Approved | Jun 13 | http://www.ttc.or.jp/j/document_list/free/3gpps2013/TS/TS-3GA-23.096(Rel11)v11.0.0.pdf |

5.3.2.12.30 TS 23.108**Mobile radio interface layer 3 specification, core network protocols; Stage 2**

This specification describes the procedures used at the radio interface for Call Control (CC), Mobility Management (MM) and Session Management (SM). It contains examples of the structured procedures.

| SDO (2) | Document No. | Version | Status | Issued date | Location (1) |
|-------------------|----------------------------|---------|-----------|-------------|---|
| Release 99 | | | | | |
| ATIS | T1.3GPP.23.108V320-2002 | 3.2.0 | Approved | May 02 | https://www.atis.org/docstore/default.aspx |
| CCSA | CCSA-TSD-TDD-23.108 | 3.2.0 | Published | May 00 | http://www.ccsa.org.cn/english/tc/files.php?docpath=/ITU-R/M.1457/M.1457-12/TDD |
| ETSI | ETSI TS 123 108 | 3.2.0 | Published | May 00 | http://www.etsi.org/deliver/etsi_ts/123100_123199/123108/03.02.00_60/ |
| TTC | JP-3GA-23.108(R99) | 3.2.0 | Approved | Oct 00 | http://www.ttc.or.jp/j/document_list/pdf/j/STD/JP-3GA-23.108(R99)v2.pdf |
| Release 4 | | | | | |
| ATIS | T1.3GPP.23.108V401-2004 | 4.0.1 | Approved | May 04 | https://www.atis.org/docstore/default.aspx |
| CCSA | CCSA-TSD-TDD-23.108 | 4.0.1 | Published | Jul 02 | http://www.ccsa.org.cn/english/tc/files.php?docpath=/ITU-R/M.1457/M.1457-12/TDD |
| ETSI | ETSI TS 123 108 | 4.0.1 | Published | Jul 02 | http://www.etsi.org/deliver/etsi_ts/123100_123199/123108/04.00.01_60/ |
| TTC | TS-3GA-23.108(Rel4)v4.0.0 | 4.0.0 | Approved | May 01 | http://www.ttc.or.jp/j/document_list/free/TS/TS-3GA-23.108(Rel4)v4.0.0.pdf |
| Release 5 | | | | | |
| ATIS | T1.3GPP.23.108V500-2003 | 5.0.0 | Approved | Mar 03 | https://www.atis.org/docstore/default.aspx |
| CCSA | CCSA-TSD-TDD-23.108 | 5.0.0 | Published | Jul 02 | http://www.ccsa.org.cn/english/tc/files.php?docpath=/ITU-R/M.1457/M.1457-12/TDD |
| ETSI | ETSI TS 123 108 | 5.0.0 | Published | Jul 02 | http://www.etsi.org/deliver/etsi_ts/123100_123199/123108/05.00.00_60/ |
| TTC | TS-3GA-23.108(Rel5)v5.0.0 | 5.0.0 | Approved | Aug 02 | http://www.ttc.or.jp/j/document_list/free/TS/TS-3GA-23.108(Rel5)v5.0.0.pdf |
| Release 6 | | | | | |
| ATIS | ATIS.3GPP.23.108V600-2005 | 6.0.0 | Approved | Apr 05 | https://www.atis.org/docstore/default.aspx |
| CCSA | CCSA-TSD-TDD-23.108 | 6.0.0 | Published | Jan 05 | http://www.ccsa.org.cn/english/tc/files.php?docpath=/ITU-R/M.1457/M.1457-12/TDD |
| ETSI | ETSI TS 123 108 | 6.0.0 | Published | Jan 05 | http://www.etsi.org/deliver/etsi_ts/123100_123199/123108/06.00.00_60/ |
| TTC | TS-3GA-23.108(Rel6)v6.0.0 | 6.0.0 | Approved | Mar 05 | http://www.ttc.or.jp/j/document_list/free/TS/TS-3GA-23.108(Rel6)v6.0.0.pdf |
| Release 7 | | | | | |
| ATIS | ATIS.3GPP.23.108V700-2007 | 7.0.0 | Approved | Oct 07 | https://www.atis.org/docstore/default.aspx |
| CCSA | CCSA-TSD-TDD-23.108 | 7.0.0 | Published | Jul 07 | http://www.ccsa.org.cn/english/tc/files.php?docpath=/ITU-R/M.1457/M.1457-12/TDD |
| ETSI | ETSI TS 123 108 | 7.0.0 | Published | Jul 07 | http://www.etsi.org/deliver/etsi_ts/123100_123199/123108/07.00.00_60/ |
| TTC | TS-3GA-23.108(Rel7)v7.0.0 | 7.0.0 | Approved | Mar 08 | http://www.ttc.or.jp/j/document_list/free/TS/TS-3GA-23.108(Rel7)v7.0.0.pdf |
| Release 8 | | | | | |
| ATIS | ATIS.3GPP.23.108V800-2009 | 8.0.0 | Approved | Jul 09 | https://www.atis.org/docstore/default.aspx |
| CCSA | CCSA-TSD-TDD-23.108 | 8.0.0 | Published | Jan 09 | http://www.ccsa.org.cn/english/tc/files.php?docpath=/ITU-R/M.1457/M.1457-12/TDD |
| ETSI | ETSI TS 123 108 | 8.0.0 | Published | Jan 09 | http://www.etsi.org/deliver/etsi_ts/123100_123199/123108/08.00.00_60/ |
| TTC | TS-3GA-23.108(Rel8)v8.0.0 | 8.0.0 | Approved | Feb 09 | http://www.ttc.or.jp/j/document_list/free/3gpps2009/TS/TS-3GA-23.108(Rel8)v8.0.0.pdf |
| Release 9 | | | | | |
| ATIS | ATIS.3GPP.23.108V900-2010 | 9.0.0 | Approved | Jul 10 | https://www.atis.org/docstore/default.aspx |
| CCSA | CCSA-TSD-TDD-23.108 | 9.0.0 | Published | Mar 10 | http://www.ccsa.org.cn/english/tc/files.php?docpath=/ITU-R/M.1457/M.1457-12/TDD |
| ETSI | ETSI TS 123 108 | 9.0.0 | Published | Jan 10 | http://www.etsi.org/deliver/etsi_ts/123100_123199/123108/09.00.00_60/ |
| TTC | TS-3GA-23.108(Rel9)v9.0.0 | 9.0.0 | Approved | Jul 10 | http://www.ttc.or.jp/j/document_list/free/3gpps2010/TS/TS-3GA-23.108(Rel9)v9.0.0.pdf |
| Release 10 | | | | | |
| ATIS | ATIS.3GPP.23.108V1000-2012 | 10.0.0 | Approved | Jul 12 | https://www.atis.org/docstore/default.aspx |
| CCSA | CCSA-TSD-TDD-23.108 | 10.0.0 | Published | Jun 12 | http://www.ccsa.org.cn/english/tc/files.php?docpath=/ITU-R/M.1457/M.1457-12/TDD |
| ETSI | ETSI TS 123 108 | 10.0.0 | Published | Mar 11 | http://www.etsi.org/deliver/etsi_ts/123100_123199/123108/10.00.00_60/ |

| | | | | | |
|-------------------|-----------------------------|--------|-----------|--------|---|
| TTC | TS-3GA-23.108(Rel10)v10.0.0 | 10.0.0 | Approved | Jun 11 | http://www.ttc.or.jp/j/document_list/free/3gpps2011/TS/TS-3GA-23.108(Rel10)v10.0.0.pdf |
| Release 11 | | | | | |
| ATIS | ATIS.3GPP.23.108V1100-2014 | 11.0.0 | Approved | May 14 | https://www.atis.org/docstore/default.aspx |
| CCSA | CCSA-TSD-TDD-23.108 | 11.0.0 | Published | Jun 14 | http://www.ccsa.org.cn/english/tc/files.php?docpath=/ITU-R/M.1457/M.1457-12/TDD |
| ETSI | ETSI TS 123 108 | 11.0.0 | Published | Nov 12 | http://www.etsi.org/deliver/etsi_ts/123100_123199/123108/11.00.00_60/ |
| TTC | TS-3GA-23.108(Rel11)v11.0.0 | 11.0.0 | Approved | Jun 13 | http://www.ttc.or.jp/j/document_list/free/3gpps2013/TS/TS-3GA-23.108(Rel11)v11.0.0.pdf |

5.3.2.12.31 TS 23.110

Universal Mobile Telecommunications System (UMTS) access stratum; Services and functions

This specification describes the detailed specifications of the protocols which rule the information flows, both control and user data, between the access stratum and the parts of UMTS outside the access stratum, and of the detailed specifications of the UTRAN. These detailed specifications are to be found in other technical specifications.

| SDO (2) | Document No. | Version | Status | Issued date | Location (1) |
|-------------------|---------------------------|---------|-----------|-------------|---|
| Release 99 | | | | | |
| ATIS | T1.3GPP.23.110V340-2002 | 3.4.0 | Approved | May 02 | https://www.atis.org/docstore/default.aspx |
| CCSA | CCSA-TSD-TDD-23.110 | 3.4.0 | Published | May 00 | http://www.ccsa.org.cn/english/tc/files.php?docpath=/ITU-R/M.1457/M.1457-12/TDD |
| ETSI | ETSI TS 123 110 | 3.4.0 | Published | May 00 | http://www.etsi.org/deliver/etsi_ts/123100_123199/123110/03.04.00_60/ |
| TTC | JP-3GA-23.110(R99) | 3.4.0 | Approved | Oct 00 | http://www.ttc.or.jp/j/document_list/pdf/j/STD/JP-3GA-23.110(R99)v2.pdf |
| Release 4 | | | | | |
| ATIS | T1.3GPP.23.110V400-2002 | 4.0.0 | Approved | May 02 | https://www.atis.org/docstore/default.aspx |
| CCSA | CCSA-TSD-TDD-23.110 | 4.0.0 | Published | Apr 01 | http://www.ccsa.org.cn/english/tc/files.php?docpath=/ITU-R/M.1457/M.1457-12/TDD |
| ETSI | ETSI TS 123 110 | 4.0.0 | Published | Apr 01 | http://www.etsi.org/deliver/etsi_ts/123100_123199/123110/04.00.00_60/ |
| TTC | TS-3GA-23.110(Rel4)v4.0.0 | 4.0.0 | Approved | May 01 | http://www.ttc.or.jp/j/document_list/free/TS/TS-3GA-23.110(Rel4)v4.0.0.pdf |
| Release 5 | | | | | |
| ATIS | T1.3GPP.23.110V500-2004 | 5.0.0 | Approved | May 04 | https://www.atis.org/docstore/default.aspx |
| CCSA | CCSA-TSD-TDD-23.110 | 5.0.0 | Published | Dec 03 | http://www.ccsa.org.cn/english/tc/files.php?docpath=/ITU-R/M.1457/M.1457-12/TDD |
| ETSI | ETSI TS 123 110 | 5.0.0 | Published | Dec 03 | http://www.etsi.org/deliver/etsi_ts/123100_123199/123110/05.00.00_60/ |
| TTC | TS-3GA-23.110(Rel5)v5.0.0 | 5.0.0 | Approved | Feb 04 | http://www.ttc.or.jp/j/document_list/free/TS/TS-3GA-23.110(Rel5)v5.0.0.pdf |
| Release 6 | | | | | |
| ATIS | ATIS.3GPP.23.110V600-2005 | 6.0.0 | Approved | Apr 05 | https://www.atis.org/docstore/default.aspx |
| CCSA | CCSA-TSD-TDD-23.110 | 6.0.0 | Published | Jan 05 | http://www.ccsa.org.cn/english/tc/files.php?docpath=/ITU-R/M.1457/M.1457-12/TDD |
| ETSI | ETSI TS 123 110 | 6.0.0 | Published | Jan 05 | http://www.etsi.org/deliver/etsi_ts/123100_123199/123110/06.00.00_60/ |
| TTC | TS-3GA-23.110(Rel6)v6.0.0 | 6.0.0 | Approved | Mar 05 | http://www.ttc.or.jp/j/document_list/free/TS/TS-3GA-23.110(Rel6)v6.0.0.pdf |
| Release 7 | | | | | |
| ATIS | ATIS.3GPP.23.110V700-2007 | 7.0.0 | Approved | Oct 07 | https://www.atis.org/docstore/default.aspx |
| CCSA | CCSA-TSD-TDD-23.110 | 7.0.0 | Published | Jun 07 | http://www.ccsa.org.cn/english/tc/files.php?docpath=/ITU-R/M.1457/M.1457-12/TDD |
| ETSI | ETSI TS 123 110 | 7.0.0 | Published | Jun 07 | http://www.etsi.org/deliver/etsi_ts/123100_123199/123110/07.00.00_60/ |
| TTC | TS-3GA-23.110(Rel7)v7.0.0 | 7.0.0 | Approved | Mar 08 | http://www.ttc.or.jp/j/document_list/free/TS/TS-3GA-23.110(Rel7)v7.0.0.pdf |
| Release 8 | | | | | |
| ATIS | ATIS.3GPP.23.110V800-2009 | 8.0.0 | Approved | Jul 09 | https://www.atis.org/docstore/default.aspx |
| CCSA | CCSA-TSD-TDD-23.110 | 8.0.0 | Published | Jan 09 | http://www.ccsa.org.cn/english/tc/files.php?docpath=/ITU-R/M.1457/M.1457-12/TDD |

| | | | | | |
|-------------------|-----------------------------|--------|-----------|--------|---|
| ETSI | ETSI TS 123 110 | 8.0.0 | Published | Jan 09 | http://www.etsi.org/deliver/etsi_ts/123100_123199/123110/08.00.00_60/ |
| TTC | TS-3GA-23.110(Rel8)v8.0.0 | 8.0.0 | Approved | Feb 09 | http://www.ttc.or.jp/j/document_list/free/3gpps2009/TS/TS-3GA-23.110(Rel8)v8.0.0.pdf |
| Release 9 | | | | | |
| ATIS | ATIS.3GPP.23.110V900-2010 | 9.0.0 | Approved | Jul 10 | https://www.atis.org/docstore/default.aspx |
| CCSA | CCSA-TSD-TDD-23.110 | 9.0.0 | Published | Mar 10 | http://www.ccsa.org.cn/english/tc/files.php?docpath=/ITU-R/M.1457/M.1457-12/TDD |
| ETSI | ETSI TS 123 110 | 9.0.0 | Published | Jan 10 | http://www.etsi.org/deliver/etsi_ts/123100_123199/123110/09.00.00_60/ |
| TTC | TS-3GA-23.110(Rel9)v9.0.0 | 9.0.0 | Approved | Jul 10 | http://www.ttc.or.jp/j/document_list/free/3gpps2010/TS/TS-3GA-23.110(Rel9)v9.0.0.pdf |
| Release 10 | | | | | |
| ATIS | ATIS.3GPP.23.110V1000-2012 | 10.0.0 | Approved | Jul 12 | https://www.atis.org/docstore/default.aspx |
| CCSA | CCSA-TSD-TDD-23.110 | 10.0.0 | Published | Jun 12 | http://www.ccsa.org.cn/english/tc/files.php?docpath=/ITU-R/M.1457/M.1457-12/TDD |
| ETSI | ETSI TS 123 110 | 10.0.0 | Published | Mar 11 | http://www.etsi.org/deliver/etsi_ts/123100_123199/123110/10.00.00_60/ |
| TTC | TS-3GA-23.110(Rel10)v10.0.0 | 10.0.0 | Approved | Jun 11 | http://www.ttc.or.jp/j/document_list/free/3gpps2011/TS/TS-3GA-23.110(Rel10)v10.0.0.pdf |
| Release 11 | | | | | |
| ATIS | ATIS.3GPP.23.110V1100-2014 | 11.0.0 | Approved | May 14 | https://www.atis.org/docstore/default.aspx |
| CCSA | CCSA-TSD-TDD-23.110 | 11.0.0 | Published | Jun 14 | http://www.ccsa.org.cn/english/tc/files.php?docpath=/ITU-R/M.1457/M.1457-12/TDD |
| ETSI | ETSI TS 123 110 | 11.0.0 | Published | Sep 12 | http://www.etsi.org/deliver/etsi_ts/123100_123199/123110/11.00.00_60/ |
| TTC | TS-3GA-23.110(Rel11)v11.0.0 | 11.0.0 | Approved | Jun 13 | http://www.ttc.or.jp/j/document_list/free/3gpps2013/TS/TS-3GA-23.110(Rel11)v11.0.0.pdf |

5.3.2.12.32 TS 23.122

Non-Access-Stratum (NAS) functions related to Mobile Station (MS) in idle mode

This specification provides an overview of the tasks undertaken by a Mobile Station (MS) when in idle mode, that is, switched on but not having a dedicated channel allocated, e.g. not making or receiving a call, or when in group receive mode, that is, receiving a group call or broadcast call but having a dedicated connection. It also describes the corresponding network functions.

| SDO (2) | Document No. | Version | Status | Issued date | Location (1) |
|-------------------|---------------------------|---------|-----------|-------------|---|
| Release 99 | | | | | |
| ATIS | T1.3GPP.23.122V3100-2004 | 3.10.0 | Approved | May 04 | https://www.atis.org/docstore/default.aspx |
| CCSA | CCSA-TSD-TDD-23.122 | 3.10.0 | Published | Jun 12 | http://www.ccsa.org.cn/english/tc/files.php?docpath=/ITU-R/M.1457/M.1457-12/TDD |
| ETSI | ETSI TS 123 122 | 3.10.0 | Published | Oct 03 | http://www.etsi.org/deliver/etsi_ts/123100_123199/123122/03.10.00_60/ |
| TTC | TS-3GA-23.122(R99)v3.10.0 | 3.10.0 | Approved | Nov 03 | http://www.ttc.or.jp/j/document_list/free/TS/TS-3GA-23.122(R99)v3.10.0.pdf |
| Release 4 | | | | | |
| ATIS | T1.3GPP.23.122V440-2004 | 4.4.0 | Approved | May 04 | https://www.atis.org/docstore/default.aspx |
| CCSA | CCSA-TSD-TDD-23.122 | 4.4.0 | Published | Oct 03 | http://www.ccsa.org.cn/english/tc/files.php?docpath=/ITU-R/M.1457/M.1457-12/TDD |
| ETSI | ETSI TS 123 122 | 4.4.0 | Published | Oct 03 | http://www.etsi.org/deliver/etsi_ts/123100_123199/123122/04.04.00_60/ |
| TTC | TS-3GA-23.122(Rel4)v4.4.0 | 4.4.0 | Approved | Nov 03 | http://www.ttc.or.jp/j/document_list/free/TS/TS-3GA-23.122(Rel4)v4.4.0.pdf |
| Release 5 | | | | | |
| ATIS | T1.3GPP.23.122V530-2004 | 5.3.0 | Approved | May 04 | https://www.atis.org/docstore/default.aspx |
| CCSA | CCSA-TSD-TDD-23.122 | 5.3.0 | Published | Oct 03 | http://www.ccsa.org.cn/english/tc/files.php?docpath=/ITU-R/M.1457/M.1457-12/TDD |
| ETSI | ETSI TS 123 122 | 5.3.0 | Published | Oct 03 | http://www.etsi.org/deliver/etsi_ts/123100_123199/123122/05.03.00_60/ |
| TTC | TS-3GA-23.122(Rel5)v5.3.0 | 5.3.0 | Approved | Nov 03 | http://www.ttc.or.jp/j/document_list/free/TS/TS-3GA-23.122(Rel5)v5.3.0.pdf |
| Release 6 | | | | | |

| | | | | | |
|-------------------|-----------------------------|--------|-----------|--------|---|
| ATIS | ATIS.3GPP.23.122V650-2006 | 6.5.0 | Approved | Apr 06 | https://www.atis.org/docstore/default.aspx |
| CCSA | CCSA-TSD-TDD-23.122 | 6.5.0 | Published | Jun 05 | http://www.ccsa.org.cn/english/tc/files.php?docpath=/ITU-R/M.1457/M.1457-12/TDD |
| ETSI | ETSI TS 123 122 | 6.5.0 | Published | Jun 05 | http://www.etsi.org/deliver/etsi_ts/123100_123199/123122/06.05.00_60/ |
| TTC | TS-3GA-23.122(Rel6)v6.5.0 | 6.5.0 | Approved | Jul 05 | http://www.ttc.or.jp/j/document_list/free/TS/TS-3GA-23.122(Rel6)v6.5.0.pdf |
| Release 7 | | | | | |
| ATIS | ATIS.3GPP.23.122V7121-2008 | 7.12.1 | Approved | Oct 08 | https://www.atis.org/docstore/default.aspx |
| CCSA | CCSA-TSD-TDD-23.122 | 7.12.1 | Published | Apr 08 | http://www.ccsa.org.cn/english/tc/files.php?docpath=/ITU-R/M.1457/M.1457-12/TDD |
| ETSI | ETSI TS 123 122 | 7.12.1 | Published | Apr 08 | http://www.etsi.org/deliver/etsi_ts/123100_123199/123122/07.12.01_60/ |
| TTC | TS-3GA-23.122(Rel7)v7.12.1 | 7.12.1 | Approved | Feb 09 | http://www.ttc.or.jp/j/document_list/free/3gpps2009/TS/TS-3GA-23.122(Rel7)v7.12.1.pdf |
| Release 8 | | | | | |
| ATIS | ATIS.3GPP.23.122V8120-2012 | 8.12.0 | Approved | Jul 12 | https://www.atis.org/docstore/default.aspx |
| CCSA | CCSA-TSD-TDD-23.122 | 8.12.0 | Published | Jun 12 | http://www.ccsa.org.cn/english/tc/files.php?docpath=/ITU-R/M.1457/M.1457-12/TDD |
| ETSI | ETSI TS 123 122 | 8.12.0 | Published | Jun 11 | http://www.etsi.org/deliver/etsi_ts/123100_123199/123122/08.12.00_60/ |
| TTC | TS-3GA-23.122(Rel8)v8.12.0 | 8.12.0 | Approved | Aug 11 | http://www.ttc.or.jp/j/document_list/free/3gpps2011/TS/TS-3GA-23.122(Rel8)v8.12.0.pdf |
| Release 9 | | | | | |
| ATIS | ATIS.3GPP.23.122V960-2012 | 9.6.0 | Approved | Jul 12 | https://www.atis.org/docstore/default.aspx |
| CCSA | CCSA-TSD-TDD-23.122 | 9.6.0 | Published | Jun 12 | http://www.ccsa.org.cn/english/tc/files.php?docpath=/ITU-R/M.1457/M.1457-12/TDD |
| ETSI | ETSI TS 123 122 | 9.6.0 | Published | Jun 11 | http://www.etsi.org/deliver/etsi_ts/123100_123199/123122/09.06.00_60/ |
| TTC | TS-3GA-23.122(Rel9)v9.6.0 | 9.6.0 | Approved | Aug 11 | http://www.ttc.or.jp/j/document_list/free/3gpps2011/TS/TS-3GA-23.122(Rel9)v9.6.0.pdf |
| Release 10 | | | | | |
| ATIS | ATIS.3GPP.23.122V1050-2012 | 10.5.0 | Approved | Jul 12 | https://www.atis.org/docstore/default.aspx |
| CCSA | CCSA-TSD-TDD-23.122 | 10.5.0 | Published | Jun 12 | http://www.ccsa.org.cn/english/tc/files.php?docpath=/ITU-R/M.1457/M.1457-12/TDD |
| ETSI | ETSI TS 123 122 | 10.5.0 | Published | Oct 11 | http://www.etsi.org/deliver/etsi_ts/123100_123199/123122/10.05.00_60/ |
| TTC | TS-3GA-23.122(Rel10)v10.5.0 | 10.5.0 | Approved | Dec 11 | http://www.ttc.or.jp/j/document_list/free/3gpps2011/TS/TS-3GA-23.122(Rel10)v10.5.0.pdf |
| Release 11 | | | | | |
| ATIS | ATIS.3GPP.23.122V1140-2014 | 11.4.0 | Approved | May 14 | https://www.atis.org/docstore/default.aspx |
| CCSA | CCSA-TSD-TDD-23.122 | 11.4.0 | Published | Jun 14 | http://www.ccsa.org.cn/english/tc/files.php?docpath=/ITU-R/M.1457/M.1457-12/TDD |
| ETSI | ETSI TS 123 122 | 11.4.0 | Published | Jan 13 | http://www.etsi.org/deliver/etsi_ts/123100_123199/123122/11.04.00_60/ |
| TTC | TS-3GA-23.122(Rel11)v11.4.0 | 11.4.0 | Approved | Jun 13 | http://www.ttc.or.jp/j/document_list/free/3gpps2013/TS/TS-3GA-23.122(Rel11)v11.4.0.pdf |

5.3.2.12.33 TS 23.142

Value-added Services for SMS (VAS4SMS); Interface and signalling flow

The specification describes the Stage 2 of the VAS4SMS (Value Added Service for SMS). It includes: – The logic architecture; – The logic elements functionality; – The signaling flows; – The interaction with other features.

| SDO (2) | Document No. | Version | Status | Issued date | Location (1) |
|-------------------|---------------------------|---------|-----------|-------------|---|
| Release 9 | | | | | |
| ATIS | ATIS.3GPP.23.142V901-2010 | 9.0.1 | Approved | Jul 10 | https://www.atis.org/docstore/default.aspx |
| CCSA | CCSA-TSD-TDD-23.142 | 9.0.1 | Published | Jun 12 | http://www.ccsa.org.cn/english/tc/files.php?docpath=/ITU-R/M.1457/M.1457-12/TDD |
| ETSI | ETSI TS 123 142 | 9.0.1 | Published | Jan 10 | http://www.etsi.org/deliver/etsi_ts/123100_123199/123142/09.00.01_60/ |
| TTC | TS-3GA-23.142(Rel9)v9.0.1 | 9.0.1 | Approved | Jul 10 | http://www.ttc.or.jp/j/document_list/free/3gpps2010/TS/TS-3GA-23.142(Rel9)v9.0.1.pdf |
| Release 10 | | | | | |

| | | | | | |
|-------------------|-----------------------------|--------|-----------|--------|---|
| ATIS | ATIS.3GPP.23.142V1000-2012 | 10.0.0 | Approved | Jul 12 | https://www.atis.org/docstore/default.aspx |
| CCSA | CCSA-TSD-TDD-23.142 | 10.0.0 | Published | Jun 12 | http://www.ccsa.org.cn/english/tc/files.php?docpath=/ITU-R/M.1457/M.1457-12/TDD |
| ETSI | ETSI TS 123 142 | 10.0.0 | Published | May 11 | http://www.etsi.org/deliver/etsi_ts/123100_123199/123142/10.00.00_60/ |
| TTC | TS-3GA-23.142(Rel10)v10.0.0 | 10.0.0 | Approved | Jun 11 | http://www.ttc.or.jp/j/document_list/free/3gpps2011/TS/TS-3GA-23.142(Rel10)v10.0.0.pdf |
| Release 11 | | | | | |
| ATIS | ATIS.3GPP.23.142V1100-2014 | 11.0.0 | Approved | May 14 | https://www.atis.org/docstore/default.aspx |
| CCSA | CCSA-TSD-TDD-23.142 | 11.0.0 | Published | Jun 14 | http://www.ccsa.org.cn/english/tc/files.php?docpath=/ITU-R/M.1457/M.1457-12/TDD |
| ETSI | ETSI TS 123 142 | 11.0.0 | Published | Oct 12 | http://www.etsi.org/deliver/etsi_ts/123100_123199/123142/11.00.00_60/ |
| TTC | TS-3GA-23.142(Rel11)v11.0.0 | 11.0.0 | Approved | Jun 13 | http://www.ttc.or.jp/j/document_list/free/3gpps2013/TS/TS-3GA-23.142(Rel11)v11.0.0.pdf |

5.3.2.12.34 TS 23.153

Out of band transcoder control; Stage 2

This document specifies the stage 2 description of the Out-of-Band Transcoder Control for speech services. It describes the principles and procedures to support Transcoder Free Operation, Tandem Free Operation and the interworking between TrFO and TFO. Transcoder at the edge is also part of this document.

| SDO (2) | Document No. | Version | Status | Issued date | Location (1) |
|------------------|----------------------------|---------|-----------|-------------|---|
| Release 4 | | | | | |
| CCSA | CCSA-TSD-TDD-23.153 | 4.14.0 | Published | Jun 12 | http://www.ccsa.org.cn/english/tc/files.php?docpath=/ITU-R/M.1457/M.1457-12/TDD |
| ETSI | ETSI TS 123 153 | 4.14.0 | Published | Oct 05 | http://www.etsi.org/deliver/etsi_ts/123100_123199/123153/04.14.00_60/ |
| TTC | TS-3GA-23.153(Rel4)v4.14.0 | 4.14.0 | Approved | Nov 05 | http://www.ttc.or.jp/j/document_list/free/TS/TS-3GA-23.153(Rel4)v4.14.0.pdf |
| Release 5 | | | | | |
| CCSA | CCSA-TSD-TDD-23.153 | 5.12.0 | Published | Jun 12 | http://www.ccsa.org.cn/english/tc/files.php?docpath=/ITU-R/M.1457/M.1457-12/TDD |
| ETSI | ETSI TS 123 153 | 5.12.0 | Published | Oct 05 | http://www.etsi.org/deliver/etsi_ts/123100_123199/123153/05.12.00_60/ |
| TTC | TS-3GA-23.153(Rel5)v5.12.0 | 5.12.0 | Approved | Nov 05 | http://www.ttc.or.jp/j/document_list/free/TS/TS-3GA-23.153(Rel5)v5.12.0.pdf |
| Release 6 | | | | | |
| CCSA | CCSA-TSD-TDD-23.153 | 6.3.0 | Published | Jun 12 | http://www.ccsa.org.cn/english/tc/files.php?docpath=/ITU-R/M.1457/M.1457-12/TDD |
| ETSI | ETSI TS 123 153 | 6.3.0 | Published | Oct 05 | http://www.etsi.org/deliver/etsi_ts/123100_123199/123153/06.03.00_60/ |
| TTC | TS-3GA-23.153(Rel6)v6.3.0 | 6.3.0 | Approved | Nov 05 | http://www.ttc.or.jp/j/document_list/free/TS/TS-3GA-23.153(Rel6)v6.3.0.pdf |
| Release 7 | | | | | |
| CCSA | CCSA-TSD-TDD-23.153 | 7.2.0 | Published | Jun 12 | http://www.ccsa.org.cn/english/tc/files.php?docpath=/ITU-R/M.1457/M.1457-12/TDD |
| ETSI | ETSI TS 123 153 | 7.2.0 | Published | Jul 07 | http://www.etsi.org/deliver/etsi_ts/123100_123199/123153/07.02.00_60/ |
| TTC | TS-3GA-23.153(Rel7)v7.2.0 | 7.2.0 | Approved | Mar 08 | http://www.ttc.or.jp/j/document_list/free/TS/TS-3GA-23.153(Rel7)v7.2.0.pdf |
| Release 8 | | | | | |
| CCSA | CCSA-TSD-TDD-23.153 | 8.3.0 | Published | Jun 12 | http://www.ccsa.org.cn/english/tc/files.php?docpath=/ITU-R/M.1457/M.1457-12/TDD |
| ETSI | ETSI TS 123 153 | 8.3.0 | Published | Apr 09 | http://www.etsi.org/deliver/etsi_ts/123100_123199/123153/08.03.00_60/ |
| TTC | TS-3GA-23.153(Rel8)v8.3.0 | 8.3.0 | Approved | Jul 09 | http://www.ttc.or.jp/j/document_list/free/3gpps2009/TS/TS-3GA-23.153(Rel8)v8.3.0.pdf |
| Release 9 | | | | | |
| ATIS | ATIS.3GPP.23.153V930-2014 | 9.3.0 | Approved | May 14 | https://www.atis.org/docstore/default.aspx |
| CCSA | CCSA-TSD-TDD-23.153 | 9.2.0 | Published | Jun 12 | http://www.ccsa.org.cn/english/tc/files.php?docpath=/ITU-R/M.1457/M.1457-12/TDD |
| ETSI | ETSI TS 123 153 | 9.3.0 | Published | Jul 12 | http://www.etsi.org/deliver/etsi_ts/123100_123199/123153/09.03.00_60/ |

| | | | | | |
|-------------------|-----------------------------|--------|-----------|--------|---|
| TTC | TS-3GA-23.153(Rel9)v9.3.0 | 9.3.0 | Approved | Sep 12 | http://www.ttc.or.jp/j/document_list/free/3gpps2011/TS/TS-3GA-23.153(Rel9)v9.2.0.pdf |
| Release 10 | | | | | |
| ATIS | ATIS.3GPP.23.153V1010-2014 | 10.1.0 | Approved | May 14 | https://www.atis.org/docstore/default.aspx |
| CCSA | CCSA-TSD-TDD-23.153 | 10.0.0 | Published | Jun 12 | http://www.ccsa.org.cn/english/tc/files.php?docpath=/ITU-R/M.1457/M.1457-12/TDD |
| ETSI | ETSI TS 123 153 | 10.1.0 | Published | Jul 12 | http://www.etsi.org/deliver/etsi_ts/123100_123199/123153/10.01.00_60/ |
| TTC | TS-3GA-23.153(Rel10)v10.1.0 | 10.1.0 | Approved | Sep 12 | http://www.ttc.or.jp/j/document_list/free/3gpps2011/TS/TS-3GA-23.153(Rel10)v10.0.0.pdf |
| Release 11 | | | | | |
| ATIS | ATIS.3GPP.23.153V1110-2014 | 11.1.0 | Approved | May 14 | https://www.atis.org/docstore/default.aspx |
| CCSA | CCSA-TSD-TDD-23.153 | 11.1.0 | Published | Jun 14 | http://www.ccsa.org.cn/english/tc/files.php?docpath=/ITU-R/M.1457/M.1457-12/TDD |
| ETSI | ETSI TS 123 153 | 11.1.0 | Published | Nov 12 | http://www.etsi.org/deliver/etsi_ts/123100_123199/123153/11.01.00_60/ |
| TTC | TS-3GA-23.153(Rel11)v11.1.0 | 11.1.0 | Approved | Jun 13 | http://www.ttc.or.jp/j/document_list/free/3gpps2013/TS/TS-3GA-23.153(Rel11)v11.1.0.pdf |

5.3.2.12.35 TS 23.205

Bearer-independent circuit-switched core network; Stage 2

This document defines the stage 2 description for the bearer independent CS core network. The stage 2 covers the information flow between the GMSC server, MSC server and media gateways. The document shows the CS core network termination of the Iu interface in order to cover the information flow stimulus to the core network and describe the interaction with the supplementary and value added services and capabilities.

The protocol used over the Nc interface is an enhanced call control protocol supporting call bearer separation such as BICC. The protocol used over the Mc interface is H.248. SIP-I based CS core network is further specified in 3GPP TS 23.231.

Local Call Local Switch (LCLS) functionality is further specified in 3GPP TS 23.284.

This document is applicable only for ATM or IP transport in the CS core network.

| SDO (2) | Document No. | Version | Status | Issued date | Location (1) |
|------------------|----------------------------|---------|-----------|-------------|---|
| Release 4 | | | | | |
| CCSA | CCSA-TSD-TDD-23.205 | 4.11.0 | Published | Jun 12 | http://www.ccsa.org.cn/english/tc/files.php?docpath=/ITU-R/M.1457/M.1457-12/TDD |
| ETSI | ETSI TS 123 205 | 4.11.0 | Published | Oct 06 | http://www.etsi.org/deliver/etsi_ts/123200_123299/123205/04.11.00_60/ |
| TTC | TS-3GA-23.205(Rel4)v4.11.0 | 4.11.0 | Approved | Mar 07 | http://www.ttc.or.jp/j/document_list/free/TS/TS-3GA-23.205(Rel4)v4.11.0.pdf |
| Release 5 | | | | | |
| CCSA | CCSA-TSD-TDD-23.205 | 5.16.0 | Published | Jun 12 | http://www.ccsa.org.cn/english/tc/files.php?docpath=/ITU-R/M.1457/M.1457-12/TDD |
| ETSI | ETSI TS 123 205 | 5.16.0 | Published | Apr 08 | http://www.etsi.org/deliver/etsi_ts/123200_123299/123205/05.16.00_60/ |
| TTC | TS-3GA-23.205(Rel5)v5.16.0 | 5.16.0 | Approved | Feb 09 | http://www.ttc.or.jp/j/document_list/free/3gpps2009/TS/TS-3GA-23.205(Rel5)v5.16.0.pdf |
| Release 6 | | | | | |
| CCSA | CCSA-TSD-TDD-23.205 | 6.9.0 | Published | Jun 12 | http://www.ccsa.org.cn/english/tc/files.php?docpath=/ITU-R/M.1457/M.1457-12/TDD |
| ETSI | ETSI TS 123 205 | 6.9.0 | Published | Apr 08 | http://www.etsi.org/deliver/etsi_ts/123200_123299/123205/06.09.00_60/ |
| TTC | TS-3GA-23.205(Rel6)v6.9.0 | 6.9.0 | Approved | Feb 09 | http://www.ttc.or.jp/j/document_list/free/3gpps2009/TS/TS-3GA-23.205(Rel6)v6.9.0.pdf |
| Release 7 | | | | | |
| CCSA | CCSA-TSD-TDD-23.205 | 7.8.0 | Published | Jun 12 | http://www.ccsa.org.cn/english/tc/files.php?docpath=/ITU-R/M.1457/M.1457-12/TDD |
| ETSI | ETSI TS 123 205 | 7.8.0 | Published | Apr 08 | http://www.etsi.org/deliver/etsi_ts/123200_123299/123205/07.08.00_60/ |
| TTC | TS-3GA-23.205(Rel7)v7.8.0 | 7.8.0 | Approved | Feb 09 | http://www.ttc.or.jp/j/document_list/free/3gpps2009/TS/TS-3GA-23.205(Rel7)v7.8.0.pdf |

Release 8

| | | | | | |
|------|----------------------------|--------|-----------|--------|---|
| CCSA | CCSA-TSD-TDD-23.205 | 8.10.0 | Published | Jun 12 | http://www.ccsa.org.cn/english/tc/files.php?docpath=/ITU-R/M.1457/M.1457-12/TDD |
| ETSI | ETSI TS 123 205 | 8.10.0 | Published | Jun 11 | http://www.etsi.org/deliver/etsi_ts/123200_123299/123205/08.10.00_60/ |
| TTC | TS-3GA-23.205(Rel8)v8.10.0 | 8.10.0 | Approved | Aug 11 | http://www.ttc.or.jp/j/document_list/free/3gpps2011/TS/TS-3GA-23.205(Rel8)v8.10.0.pdf |

Release 9

| | | | | | |
|------|---------------------------|-------|-----------|--------|---|
| ATIS | ATIS.3GPP.23.205V940-2012 | 9.4.0 | Approved | Jul 12 | https://www.atis.org/docstore/default.aspx |
| CCSA | CCSA-TSD-TDD-23.205 | 9.4.0 | Published | Jun 12 | http://www.ccsa.org.cn/english/tc/files.php?docpath=/ITU-R/M.1457/M.1457-12/TDD |
| ETSI | ETSI TS 123 205 | 9.4.0 | Published | Oct 11 | http://www.etsi.org/deliver/etsi_ts/123200_123299/123205/09.04.00_60/ |
| TTC | TS-3GA-23.205(Rel9)v9.4.0 | 9.4.0 | Approved | Dec 11 | http://www.ttc.or.jp/j/document_list/free/3gpps2011/TS/TS-3GA-23.205(Rel9)v9.4.0.pdf |

Release 10

| | | | | | |
|------|-----------------------------|--------|-----------|--------|---|
| ATIS | ATIS.3GPP.23.205V1020-2012 | 10.2.0 | Approved | Jul 12 | https://www.atis.org/docstore/default.aspx |
| CCSA | CCSA-TSD-TDD-23.205 | 10.2.0 | Published | Jun 12 | http://www.ccsa.org.cn/english/tc/files.php?docpath=/ITU-R/M.1457/M.1457-12/TDD |
| ETSI | ETSI TS 123 205 | 10.2.0 | Published | Oct 11 | http://www.etsi.org/deliver/etsi_ts/123200_123299/123205/10.02.00_60/ |
| TTC | TS-3GA-23.205(Rel10)v10.2.0 | 10.2.0 | Approved | Dec 11 | http://www.ttc.or.jp/j/document_list/free/3gpps2011/TS/TS-3GA-23.205(Rel10)v10.2.0.pdf |

Release 11

| | | | | | |
|------|-----------------------------|--------|-----------|--------|---|
| ATIS | ATIS.3GPP.23.205V1100-2014 | 11.0.0 | Approved | May 14 | https://www.atis.org/docstore/default.aspx |
| CCSA | CCSA-TSD-TDD-23.205 | 11.0.0 | Published | Jun 14 | http://www.ccsa.org.cn/english/tc/files.php?docpath=/ITU-R/M.1457/M.1457-12/TDD |
| ETSI | ETSI TS 123 205 | 11.0.0 | Published | Nov 12 | http://www.etsi.org/deliver/etsi_ts/123200_123299/123205/11.00.00_60/ |
| TTC | TS-3GA-23.205(Rel11)v11.0.0 | 11.0.0 | Approved | Jun 13 | http://www.ttc.or.jp/j/document_list/free/3gpps2013/TS/TS-3GA-23.205(Rel11)v11.0.0.pdf |

5.3.2.12.36 TS 23.218**IP Multimedia (IM) session handling; IM call model; Stage 2**

This document specifies the IP Multimedia (IM) Call Model for handling of an IP multimedia session origination and termination for an IP Multimedia subscriber. The document includes interactions between an Application Server and IP multimedia sessions.

| SDO (2) | Document No. | Version | Status | Issued date | Location (1) |
|------------------|----------------------------|---------|-----------|-------------|---|
| Release 5 | | | | | |
| CCSA | CCSA-TSD-TDD-23.218 | 5.9.0 | Published | Jun 12 | http://www.ccsa.org.cn/english/tc/files.php?docpath=/ITU-R/M.1457/M.1457-12/TDD |
| ETSI | ETSI TS 123 218 | 5.9.0 | Published | Aug 06 | http://www.etsi.org/deliver/etsi_ts/123200_123299/123218/05.09.00_60/ |
| TTC | TS-3GA-23.218(Rel5)v5.9.0 | 5.9.0 | Approved | Mar 07 | http://www.ttc.or.jp/j/document_list/free/TS/TS-3GA-23.218(Rel5)v5.9.0.pdf |
| Release 6 | | | | | |
| CCSA | CCSA-TSD-TDD-23.218 | 6.4.0 | Published | Jun 12 | http://www.ccsa.org.cn/english/tc/files.php?docpath=/ITU-R/M.1457/M.1457-12/TDD |
| ETSI | ETSI TS 123 218 | 6.4.0 | Published | Aug 06 | http://www.etsi.org/deliver/etsi_ts/123200_123299/123218/06.04.00_60/ |
| TTC | TS-3GA-23.218(Rel6)v6.4.0 | 6.4.0 | Approved | Mar 07 | http://www.ttc.or.jp/j/document_list/free/TS/TS-3GA-23.218(Rel6)v6.4.0.pdf |
| Release 7 | | | | | |
| CCSA | CCSA-TSD-TDD-23.218 | 7.10.0 | Published | Jun 12 | http://www.ccsa.org.cn/english/tc/files.php?docpath=/ITU-R/M.1457/M.1457-12/TDD |
| ETSI | ETSI TS 123 218 | 7.10.0 | Published | Jan 10 | http://www.etsi.org/deliver/etsi_ts/123200_123299/123218/07.10.00_60/ |
| TTC | TS-3GA-23.218(Rel7)v7.10.0 | 7.10.0 | Approved | Apr 10 | http://www.ttc.or.jp/j/document_list/free/3gpps2010/TS/TS-3GA-23.218(Rel7)v7.10.0.pdf |
| Release 8 | | | | | |
| CCSA | CCSA-TSD-TDD-23.218 | 8.6.0 | Published | Jun 12 | http://www.ccsa.org.cn/english/tc/files.php?docpath=/ITU-R/M.1457/M.1457-12/TDD |
| ETSI | ETSI TS 123 218 | 8.6.0 | Published | Apr 10 | http://www.etsi.org/deliver/etsi_ts/123200_123299/123218/08.06.00_60/ |

| | | | | | |
|-------------------|-----------------------------|--------|-----------|--------|---|
| TTC | TS-3GA-23.218(Rel8)v8.6.0 | 8.6.0 | Approved | Jul 10 | http://www.ttc.or.jp/j/document_list/free/3gpps2010/TS/TS-3GA-23.218(Rel8)v8.6.0.pdf |
| Release 9 | | | | | |
| ATIS | ATIS.3GPP.23.218V920-2012 | 9.2.0 | Approved | Jul 12 | https://www.atis.org/docstore/default.aspx |
| CCSA | CCSA-TSD-TDD-23.218 | 9.2.0 | Published | Jun 12 | http://www.ccsa.org.cn/english/tc/files.php?docpath=/ITU-R/M.1457/M.1457-12/TDD |
| ETSI | ETSI TS 123 218 | 9.2.0 | Published | Jun 10 | http://www.etsi.org/deliver/etsi_ts/123200_123299/123218/09.02.00_60/ |
| TTC | TS-3GA-23.218(Rel9)v9.2.0 | 9.2.0 | Approved | Oct 10 | http://www.ttc.or.jp/j/document_list/free/3gpps2010/TS/TS-3GA-23.218(Rel9)v9.2.0.pdf |
| Release 10 | | | | | |
| ATIS | ATIS.3GPP.23.218V1000-2012 | 10.0.0 | Approved | Jul 12 | https://www.atis.org/docstore/default.aspx |
| CCSA | CCSA-TSD-TDD-23.218 | 10.0.0 | Published | Jun 12 | http://www.ccsa.org.cn/english/tc/files.php?docpath=/ITU-R/M.1457/M.1457-12/TDD |
| ETSI | ETSI TS 123 218 | 10.0.0 | Published | Mar 11 | http://www.etsi.org/deliver/etsi_ts/123200_123299/123218/10.00.00_60/ |
| TTC | TS-3GA-23.218(Rel10)v10.0.0 | 10.0.0 | Approved | Jun 11 | http://www.ttc.or.jp/j/document_list/free/3gpps2011/TS/TS-3GA-23.218(Rel10)v10.0.0.pdf |
| Release 11 | | | | | |
| ATIS | ATIS.3GPP.23.218V1150-2014 | 11.5.0 | Approved | May 14 | https://www.atis.org/docstore/default.aspx |
| CCSA | CCSA-TSD-TDD-23.218 | 11.6.0 | Published | Jun 14 | http://www.ccsa.org.cn/english/tc/files.php?docpath=/ITU-R/M.1457/M.1457-12/TDD |
| ETSI | ETSI TS 123 218 | 11.5.0 | Published | Jan 13 | http://www.etsi.org/deliver/etsi_ts/123200_123299/123218/11.05.00_60/ |
| TTC | TS-3GA-23.218(Rel11)v11.5.0 | 11.5.0 | Approved | Jun 13 | http://www.ttc.or.jp/j/document_list/free/3gpps2013/TS/TS-3GA-23.218(Rel11)v11.5.0.pdf |

5.3.2.12.37 TS 23.227

Application and user interaction in the UE; Principles and specific requirements

This document defines the principles for scheduling UE resources and controlling UE interactions and resolving conflicts between independently running applications in different application execution environment (e.g. MExE, USAT etc.) and internal and external peripherals (e.g. infra-red, Bluetooth, USIM, radio interface, MMI, memory etc.).

| SDO (2) | Document No. | Version | Status | Issued date | Location (1) |
|------------------|-------------------------|---------|-----------|-------------|---|
| Release 4 | | | | | |
| ARIB | ARIB STD-T63-23.227 | 4.2.0 | Approved | Jul 13 | http://www.arib.or.jp/english/html/overview/doc/STD-T63v10_00/2_T63/ARIB-STD-T63/Rel4/23/A23227-420.pdf |
| ATIS | T1.3GPP.23.227V420-2002 | 4.2.0 | Approved | May 02 | https://www.atis.org/docstore/default.aspx |
| CCSA | CCSA-TSD-TDD-23.227 | 4.2.0 | Published | Apr 02 | http://www.ccsa.org.cn/english/tc/files.php?docpath=/ITU-R/M.1457/M.1457-12/TDD |
| ETSI | ETSI TS 123 227 | 4.2.0 | Published | Apr 02 | http://www.etsi.org/deliver/etsi_ts/123200_123299/123227/04.02.00_60/ |
| Release 5 | | | | | |
| ARIB | ARIB STD-T63-23.227 | 5.1.0 | Approved | Jul 13 | http://www.arib.or.jp/english/html/overview/doc/STD-T63v10_00/2_T63/ARIB-STD-T63/Rel5/23/A23227-510.pdf |
| ATIS | T1.3GPP.23.227V510-2002 | 5.1.0 | Approved | May 02 | https://www.atis.org/docstore/default.aspx |
| CCSA | CCSA-TSD-TDD-23.227 | 5.1.0 | Published | Apr 02 | http://www.ccsa.org.cn/english/tc/files.php?docpath=/ITU-R/M.1457/M.1457-12/TDD |
| ETSI | ETSI TS 123 227 | 5.1.0 | Published | Apr 02 | http://www.etsi.org/deliver/etsi_ts/123200_123299/123227/05.01.00_60/ |

5.3.2.12.38 TS 23.231

SIP-I based circuit-switched core network; Stage 2

This document defines the stage 2 description for the SIP-I based CS core network. The logical architecture for the SIP-I based CS core network is defined in 3GPP TS 23.205. Stage 2 covers the information flows between the GMSC server, MSC server and media gateways that are required to support a SIP-I

based Nc interface. The document shows the CS core network termination of the Iu and A interfaces in order to cover the information flow stimulus to the core network and describe the interaction with the supplementary and value added services and capabilities.

The Nc interface profile is based on ITU-T Q.1912.5 SIP-I profile C and is specified in 3GPP TS 29.231. The Mc interface profile is based on ITU-T H.248.1 and is specified in 3GPP TS 29.232. Local Call Local Switch (LCLS) functionality is further specified in 3GPP TS 23.284.

This document is applicable only for IP transport in the CS core network.

| SDO (2) | Document No. | Version | Status | Issued date | Location (1) |
|-------------------|-----------------------------|---------|-----------|-------------|---|
| Release 8 | | | | | |
| ATIS | ATIS.3GPP.23.231V840-2010 | 8.4.0 | Approved | Jul 10 | https://www.atis.org/docstore/default.aspx |
| CCSA | CCSA-TSD-TDD-23.231 | 8.4.0 | Published | Mar 10 | http://www.ccsa.org.cn/english/tc/files.php?docpath=/ITU-R/M.1457/M.1457-12/TDD |
| ETSI | ETSI TS 123 231 | 8.4.0 | Published | Jun 09 | http://www.etsi.org/deliver/etsi_ts/123200_123299/123231/08.04.00_60/ |
| TTC | TS-3GA-23.231(Rel8)v8.4.0 | 8.4.0 | Approved | Oct 09 | http://www.ttc.or.jp/j/document_list/free/3gpps2009/TS/TS-3GA-23.231(Rel8)v8.4.0.pdf |
| Release 9 | | | | | |
| ATIS | ATIS.3GPP.23.231V900-2010 | 9.0.0 | Approved | Jul 10 | https://www.atis.org/docstore/default.aspx |
| CCSA | CCSA-TSD-TDD-23.231 | 9.0.0 | Published | Mar 10 | http://www.ccsa.org.cn/english/tc/files.php?docpath=/ITU-R/M.1457/M.1457-12/TDD |
| ETSI | ETSI TS 123 231 | 9.0.0 | Published | Feb 10 | http://www.etsi.org/deliver/etsi_ts/123200_123299/123231/09.00.00_60/ |
| TTC | TS-3GA-23.231(Rel9)v9.0.0 | 9.0.0 | Approved | Jul 10 | http://www.ttc.or.jp/j/document_list/free/3gpps2010/TS/TS-3GA-23.231(Rel9)v9.0.0.pdf |
| Release 10 | | | | | |
| ATIS | ATIS.3GPP.23.231V1000-2012 | 10.0.0 | Approved | Jul 12 | https://www.atis.org/docstore/default.aspx |
| CCSA | CCSA-TSD-TDD-23.231 | 10.0.0 | Published | Jun 12 | http://www.ccsa.org.cn/english/tc/files.php?docpath=/ITU-R/M.1457/M.1457-12/TDD |
| ETSI | ETSI TS 123 231 | 10.0.0 | Published | Apr 11 | http://www.etsi.org/deliver/etsi_ts/123200_123299/123231/10.00.00_60/ |
| TTC | TS-3GA-23.231(Rel10)v10.0.0 | 10.0.0 | Approved | Jun 11 | http://www.ttc.or.jp/j/document_list/free/3gpps2011/TS/TS-3GA-23.231(Rel10)v10.0.0.pdf |
| Release 11 | | | | | |
| ATIS | ATIS.3GPP.23.231V1111-2014 | 11.1.1 | Approved | May 14 | https://www.atis.org/docstore/default.aspx |
| CCSA | CCSA-TSD-TDD-23.231 | 11.1.1 | Published | Jun 14 | http://www.ccsa.org.cn/english/tc/files.php?docpath=/ITU-R/M.1457/M.1457-12/TDD |
| ETSI | ETSI TS 123 231 | 11.1.1 | Published | Nov 12 | http://www.etsi.org/deliver/etsi_ts/123200_123299/123231/11.01.01_60/ |
| TTC | TS-3GA-23.231(Rel11)v11.1.1 | 11.1.1 | Approved | Jun 13 | http://www.ttc.or.jp/j/document_list/free/3gpps2013/TS/TS-3GA-23.231(Rel11)v11.1.1.pdf |

5.3.2.12.39 TS 23.259

Personal Network Management (PNM); Procedures and information flows; Stage 2

This document provides the procedure details and the information flows for support of Personal Network Management including the PN UE redirection and PN access control applications enabled by Personal Network Management (PNM).

| SDO (2) | Document No. | Version | Status | Issued date | Location (1) |
|------------------|---------------------------|---------|-----------|-------------|---|
| Release 8 | | | | | |
| CCSA | CCSA-TSD-TDD-23.259 | 8.2.0 | Published | Jun 12 | http://www.ccsa.org.cn/english/tc/files.php?docpath=/ITU-R/M.1457/M.1457-12/TDD |
| ETSI | ETSI TS 123 259 | 8.2.0 | Published | Jan 09 | http://www.etsi.org/deliver/etsi_ts/123200_123299/123259/08.02.00_60/ |
| TTC | TS-3GA-23.259(Rel8)v8.2.0 | 8.2.0 | Approved | Feb 09 | http://www.ttc.or.jp/j/document_list/free/3gpps2009/TS/TS-3GA-23.259(Rel8)v8.2.0.pdf |
| Release 9 | | | | | |
| ATIS | ATIS.3GPP.23.259V940-2012 | 9.4.0 | Approved | Jul 12 | https://www.atis.org/docstore/default.aspx |

| | | | | | |
|-------------------|-----------------------------|--------|-----------|--------|---|
| CCSA | CCSA-TSD-TDD-23.259 | 9.4.0 | Published | Jun 12 | http://www.ccsa.org.cn/english/tc/files.php?docpath=/ITU-R/M.1457/M.1457-12/TDD |
| ETSI | ETSI TS 123 259 | 9.4.0 | Published | Jun 10 | http://www.etsi.org/deliver/etsi_ts/123200_123299/123259/09.04.00_60/ |
| TTC | TS-3GA-23.259(Rel9)v9.4.0 | 9.4.0 | Approved | Oct 10 | http://www.ttc.or.jp/j/document_list/free/3gpps2010/TS/TS-3GA-23.259(Rel9)v9.4.0.pdf |
| Release 10 | | | | | |
| ATIS | ATIS.3GPP.23.259V1000-2012 | 10.0.0 | Approved | Jul 12 | https://www.atis.org/docstore/default.aspx |
| CCSA | CCSA-TSD-TDD-23.259 | 10.0.0 | Published | Jun 12 | http://www.ccsa.org.cn/english/tc/files.php?docpath=/ITU-R/M.1457/M.1457-12/TDD |
| ETSI | ETSI TS 123 259 | 10.0.0 | Published | Mar 11 | http://www.etsi.org/deliver/etsi_ts/123200_123299/123259/10.00.00_60/ |
| TTC | TS-3GA-23.259(Rel10)v10.0.0 | 10.0.0 | Approved | Jun 11 | http://www.ttc.or.jp/j/document_list/free/3gpps2011/TS/TS-3GA-23.259(Rel10)v10.0.0.pdf |
| Release 11 | | | | | |
| ATIS | ATIS.3GPP.23.259V1100-2014 | 11.0.0 | Approved | May 14 | https://www.atis.org/docstore/default.aspx |
| CCSA | CCSA-TSD-TDD-23.259 | 11.0.0 | Published | Jun 14 | http://www.ccsa.org.cn/english/tc/files.php?docpath=/ITU-R/M.1457/M.1457-12/TDD |
| ETSI | ETSI TS 123 259 | 11.0.0 | Published | Oct 12 | http://www.etsi.org/deliver/etsi_ts/123200_123299/123259/11.00.00_60/ |
| TTC | TS-3GA-23.259(Rel11)v11.0.0 | 11.0.0 | Approved | Jun 13 | http://www.ttc.or.jp/j/document_list/free/3gpps2013/TS/TS-3GA-23.259(Rel11)v11.0.0.pdf |

5.3.2.12.40 TS 23.278

Customized Applications for Mobile network Enhanced Logic (CAMEL) Phase 4; Stage 2; IM CN Interworking

This document specifies the stage 2 description for the Customized Applications for Mobile network Enhanced Logic (CAMEL) feature which provides the mechanisms to support services for the IP Multimedia Core Network (IM CN) Subsystem.

| SDO (2) | Document No. | Version | Status | Issued date | Location (1) |
|-------------------|----------------------------|---------|-----------|-------------|---|
| Release 5 | | | | | |
| CCSA | CCSA-TSD-TDD-23.278 | 5.6.0 | Published | Jun 12 | http://www.ccsa.org.cn/english/tc/files.php?docpath=/ITU-R/M.1457/M.1457-12/TDD |
| ETSI | ETSI TS 123 278 | 5.6.0 | Published | Oct 04 | http://www.etsi.org/deliver/etsi_ts/123200_123299/123278/05.06.00_60/ |
| TTC | TS-3GA-23.278(Rel5)v5.6.0 | 5.6.0 | Approved | Nov 04 | http://www.ttc.or.jp/j/document_list/free/TS/TS-3GA-23.278(Rel5)v5.6.0.pdf |
| Release 6 | | | | | |
| CCSA | CCSA-TSD-TDD-23.278 | 6.2.0 | Published | Jun 12 | http://www.ccsa.org.cn/english/tc/files.php?docpath=/ITU-R/M.1457/M.1457-12/TDD |
| ETSI | ETSI TS 123 278 | 6.2.0 | Published | Jan 06 | http://www.etsi.org/deliver/etsi_ts/123200_123299/123278/06.02.00_60/ |
| TTC | TS-3GA-23.278(Rel6)v6.2.0 | 6.2.0 | Approved | Feb 06 | http://www.ttc.or.jp/j/document_list/free/TS/TS-3GA-23.278(Rel6)v6.2.0.pdf |
| Release 7 | | | | | |
| CCSA | CCSA-TSD-TDD-23.278 | 7.1.0 | Published | Jun 12 | http://www.ccsa.org.cn/english/tc/files.php?docpath=/ITU-R/M.1457/M.1457-12/TDD |
| ETSI | ETSI TS 123 278 | 7.1.0 | Published | May 06 | http://www.etsi.org/deliver/etsi_ts/123200_123299/123278/07.01.00_60/ |
| TTC | TS-3GA-23.278(Rel7)v7.1.0 | 7.1.0 | Approved | Mar 08 | http://www.ttc.or.jp/j/document_list/free/TS/TS-3GA-23.278(Rel7)v7.1.0.pdf |
| Release 8 | | | | | |
| CCSA | CCSA-TSD-TDD-23.278 | 8.0.0 | Published | Jun 12 | http://www.ccsa.org.cn/english/tc/files.php?docpath=/ITU-R/M.1457/M.1457-12/TDD |
| ETSI | ETSI TS 123 278 | 8.0.0 | Published | Jan 09 | http://www.etsi.org/deliver/etsi_ts/123200_123299/123278/08.00.00_60/ |
| TTC | TS-3GA-23.278(Rel8)v8.0.0 | 8.0.0 | Approved | Feb 09 | http://www.ttc.or.jp/j/document_list/free/3gpps2009/TS/TS-3GA-23.278(Rel8)v8.0.0.pdf |
| Release 9 | | | | | |
| CCSA | CCSA-TSD-TDD-23.278 | 9.0.0 | Published | Jun 12 | http://www.ccsa.org.cn/english/tc/files.php?docpath=/ITU-R/M.1457/M.1457-12/TDD |
| ETSI | ETSI TS 123 278 | 9.0.0 | Published | Jan 10 | http://www.etsi.org/deliver/etsi_ts/123200_123299/123278/09.00.00_60/ |
| TTC | TS-3GA-23.278(Rel9)v9.0.0 | 9.0.0 | Approved | Jul 10 | http://www.ttc.or.jp/j/document_list/free/3gpps2010/TS/TS-3GA-23.278(Rel9)v9.0.0.pdf |
| Release 10 | | | | | |
| ATIS | ATIS.3GPP.23.278V1000-2012 | 10.0.0 | Approved | Jul 12 | https://www.atis.org/docstore/default.aspx |

| | | | | | |
|-------------------|-----------------------------|--------|-----------|--------|---|
| CCSA | CCSA-TSD-TDD-23.278 | 10.0.0 | Published | Jun 12 | http://www.ccsa.org.cn/english/tc/files.php?docpath=/ITU-R/M.1457/M.1457-12/TDD |
| ETSI | ETSI TS 123 278 | 10.0.0 | Published | May 11 | http://www.etsi.org/deliver/etsi_ts/123200_123299/123278/10.00.00_60/ |
| TTC | TS-3GA-23.278(Rel10)v10.0.0 | 10.0.0 | Approved | Jun 11 | http://www.ttc.or.jp/j/document_list/free/3gpps2011/TS/TS-3GA-23.278(Rel10)v10.0.0.pdf |
| Release 11 | | | | | |
| ATIS | ATIS.3GPP.23.278V1101-2014 | 11.0.1 | Approved | May 14 | https://www.atis.org/docstore/default.aspx |
| CCSA | CCSA-TSD-TDD-23.278 | 11.0.1 | Published | Jun 14 | http://www.ccsa.org.cn/english/tc/files.php?docpath=/ITU-R/M.1457/M.1457-12/TDD |
| ETSI | ETSI TS 123 278 | 11.0.1 | Published | Nov 12 | http://www.etsi.org/deliver/etsi_ts/123200_123299/123278/11.00.01_60/ |
| TTC | TS-3GA-23.278(Rel11)v11.0.1 | 11.0.1 | Approved | Jun 13 | http://www.ttc.or.jp/j/document_list/free/3gpps2013/TS/TS-3GA-23.278(Rel11)v11.0.1.pdf |

5.3.2.12.41 TS 23.327

Mobility between 3GPP-Wireless Local Area Network (WLAN) interworking and 3GPP systems

This document specifies the stage 2 system description for providing mobility between 3GPP Wireless Local Area Network Interworking (I WLAN) and 3GPP Systems. It is to define a technical solution based on the working principles of DSMIPv6 with necessary enhancement of the I WLAN architecture for supporting mobility and roaming between 3GPP WLAN Interworking system and 3GPP Systems so that ongoing 3GPP PS based services can be maintained with minimal impact on the end user's perceived quality on the services at a change of the access network (between I WLAN and 3GPP Access Systems).

| SDO (2) | Document No. | Version | Status | Issued date | Location (1) |
|-------------------|-----------------------------|---------|-----------|-------------|---|
| Release 8 | | | | | |
| TTC | TS-3GA-23.327(Rel8)v8.4.0 | 8.4.0 | Approved | Dec 09 | http://www.ttc.or.jp/j/document_list/free/3gpps2009/TS/TS-3GA-23.327(Rel8)v8.4.0.pdf |
| Release 9 | | | | | |
| TTC | TS-3GA-23.327(Rel9)v9.0.0 | 9.0.0 | Approved | Jul 10 | http://www.ttc.or.jp/j/document_list/free/3gpps2010/TS/TS-3GA-23.327(Rel9)v9.0.0.pdf |
| Release 10 | | | | | |
| TTC | TS-3GA-23.327(Rel10)v10.0.0 | 10.0.0 | Approved | Jun 11 | http://www.ttc.or.jp/j/document_list/free/3gpps2011/TS/TS-3GA-23.327(Rel10)v10.0.0.pdf |
| Release 11 | | | | | |
| ATIS | ATIS.3GPP.23.327V1100-2014 | 11.0.0 | Approved | May 14 | https://www.atis.org/docstore/default.aspx |
| CCSA | CCSA-TSD-TDD-23.327 | 11.0.0 | Published | Jun 14 | http://www.ccsa.org.cn/english/tc/files.php?docpath=/ITU-R/M.1457/M.1457-12/TDD |
| TTC | TS-3GA-23.327(Rel11)v11.0.0 | 11.0.0 | Approved | Jun 13 | http://www.ttc.or.jp/j/document_list/free/3gpps2013/TS/TS-3GA-23.327(Rel11)v11.0.0.pdf |

5.3.2.12.42 TS 23.333

Multimedia Resource Function Controller (MRFC) – Multimedia Resource Function Processor (MRFP) Mp interface: Procedures descriptions

This specification describes the functional requirements and information flows that generate procedures between the Multimedia Resource Function Controller (MRFC) and the Multimedia Resource Function Processor (MRFP), the Mp Interface. This specification is limited to information flows relevant to the Mp Interface; in order to define these procedures and make the functional requirements clear some triggers from an external interface may be described; these may be specified within the Mr interface for example or within an AS in which the MRFC function resides. However for the overall stage 2 procedures of IMS. The protocol on the Mp interface is defined to comply with ITU-T H.248.1 Gateway Control Protocol.

| SDO (2) | Document No. | Version | Status | Issued date | Location (1) |
|-------------------|-----------------------------|---------|-----------|-------------|---|
| Release 7 | | | | | |
| CCSA | CCSA-TSD-TDD-23.333 | 7.3.1 | Published | Apr 08 | http://www.ccsa.org.cn/english/tc/files.php?docpath=/ITU-R/M.1457/M.1457-12/TDD |
| ETSI | ETSI TS 123 333 | 7.3.1 | Published | Apr 08 | http://www.etsi.org/deliver/etsi_ts/123300_123399/123333/07.03.01_60/ |
| TTC | TS-3GA-23.333(Rel7)v7.3.1 | 7.3.1 | Approved | Feb 09 | http://www.ttc.or.jp/j/document_list/free/3gpps2009/TS/TS-3GA-23.333(Rel7)v7.3.1.pdf |
| Release 8 | | | | | |
| ATIS | ATIS.3GPP.23.333V830-2009 | 8.3.0 | Approved | Jul 09 | https://www.atis.org/docstore/default.aspx |
| CCSA | CCSA-TSD-TDD-23.333 | 8.3.0 | Published | Jan 09 | http://www.ccsa.org.cn/english/tc/files.php?docpath=/ITU-R/M.1457/M.1457-12/TDD |
| ETSI | ETSI TS 123 333 | 8.3.0 | Published | Jan 09 | http://www.etsi.org/deliver/etsi_ts/123300_123399/123333/08.03.00_60/ |
| TTC | TS-3GA-23.333(Rel8)v8.3.0 | 8.3.0 | Approved | Feb 09 | http://www.ttc.or.jp/j/document_list/free/3gpps2009/TS/TS-3GA-23.333(Rel8)v8.3.0.pdf |
| Release 9 | | | | | |
| ATIS | ATIS.3GPP.23.333V900-2010 | 9.0.0 | Approved | Jul 10 | https://www.atis.org/docstore/default.aspx |
| CCSA | CCSA-TSD-TDD-23.333 | 9.0.0 | Published | Mar 10 | http://www.ccsa.org.cn/english/tc/files.php?docpath=/ITU-R/M.1457/M.1457-12/TDD |
| ETSI | ETSI TS 123 333 | 9.0.0 | Published | Jan 10 | http://www.etsi.org/deliver/etsi_ts/123300_123399/123333/09.00.00_60/ |
| TTC | TS-3GA-23.333(Rel9)v9.0.0 | 9.0.0 | Approved | Jul 10 | http://www.ttc.or.jp/j/document_list/free/3gpps2010/TS/TS-3GA-23.333(Rel9)v9.0.0.pdf |
| Release 10 | | | | | |
| ATIS | ATIS.3GPP.23.333V1050-2014 | 10.5.0 | Approved | May 14 | https://www.atis.org/docstore/default.aspx |
| CCSA | CCSA-TSD-TDD-23.333 | 10.3.0 | Published | Jun 12 | http://www.ccsa.org.cn/english/tc/files.php?docpath=/ITU-R/M.1457/M.1457-12/TDD |
| ETSI | ETSI TS 123 333 | 10.5.0 | Published | Jan 13 | http://www.etsi.org/deliver/etsi_ts/123300_123399/123333/10.05.00_60/ |
| TTC | TS-3GA-23.333(Rel10)v10.5.0 | 10.5.0 | Approved | Jun 13 | http://www.ttc.or.jp/j/document_list/free/3gpps2013/TS/TS-3GA-23.333(Rel10)v10.5.0.pdf |
| Release 11 | | | | | |
| ATIS | ATIS.3GPP.23.333V1110-2014 | 11.1.0 | Approved | May 14 | https://www.atis.org/docstore/default.aspx |
| CCSA | CCSA-TSD-TDD-23.333 | 11.1.0 | Published | Jun 14 | http://www.ccsa.org.cn/english/tc/files.php?docpath=/ITU-R/M.1457/M.1457-12/TDD |
| ETSI | ETSI TS 123 333 | 11.1.0 | Published | Feb 13 | http://www.etsi.org/deliver/etsi_ts/123300_123399/123333/11.01.00_60/ |
| TTC | TS-3GA-23.333(Rel11)v11.1.0 | 11.1.0 | Approved | Jun 13 | http://www.ttc.or.jp/j/document_list/free/3gpps2013/TS/TS-3GA-23.333(Rel11)v11.1.0.pdf |

5.3.2.12.43 TS 23.334

IP Multimedia Subsystem (IMS) Application Level Gateway (IMS-ALG) – IMS Access Gateway (IMS-AGW) interface: Procedures descriptions

Annex G of 3GPP TS 23.228 gives out an IMS Application Level Gateway (IMS-ALG) and IMS Access Media Gateway (IMS-AGW) based reference model to support NAPT-PT, gate control and traffic policing between IP-CAN and IMS domain. The Iq reference point is between the P-CSCF (IMS-ALG) and the IMS-AGW. It conveys the necessary information that is needed to allocate, modify and release (IP) transport addresses. This document defines the stage 2 description for the Iq reference point. Stage 2 covers the information flow between the P-CSCF (IMS-ALG) and IMS-AGW. The protocol used over the Iq interface is the gateway control protocol according ITU-T Recommendation H.248 (which is specified for Iq by an H.248 profile according 3GPP TS 29.334).

| SDO (2) | Document No. | Version | Status | Issued date | Location (1) |
|------------------|---------------------------|---------|-----------|-------------|---|
| Release 9 | | | | | |
| ATIS | ATIS.3GPP.23.334V930-2012 | 9.3.0 | Approved | Jul 12 | https://www.atis.org/docstore/default.aspx |
| CCSA | CCSA-TSD-TDD-23.334 | 9.3.0 | Published | Jun 12 | http://www.ccsa.org.cn/english/tc/files.php?docpath=/ITU-R/M.1457/M.1457-12/TDD |
| ETSI | ETSI TS 123 334 | 9.3.0 | Published | Oct 10 | http://www.etsi.org/deliver/etsi_ts/123300_123399/123334/09.03.00_60/ |

| | | | | | |
|-------------------|-----------------------------|--------|-----------|--------|---|
| TTC | TS-3GA-23.334(Rel9)v9.3.0 | 9.3.0 | Approved | Dec 10 | http://www.ttc.or.jp/j/document_list/free/3gpps2010/TS/TS-3GA-23.334(Rel9)v9.3.0.pdf |
| Release 10 | | | | | |
| ATIS | ATIS.3GPP.23.334V1050-2014 | 10.5.0 | Approved | May 14 | https://www.atis.org/docstore/default.aspx |
| CCSA | CCSA-TSD-TDD-23.334 | 10.3.0 | Published | Jun 12 | http://www.ccsa.org.cn/english/tc/files.php?docpath=/ITU-R/M.1457/M.1457-12/TDD |
| ETSI | ETSI TS 123 334 | 10.5.0 | Published | Jan 13 | http://www.etsi.org/deliver/etsi_ts/123300_123399/123334/10.05.00_60/ |
| TTC | TS-3GA-23.334(Rel10)v10.5.0 | 10.5.0 | Approved | Jun 13 | http://www.ttc.or.jp/j/document_list/free/3gpps2013/TS/TS-3GA-23.334(Rel10)v10.5.0.pdf |
| Release 11 | | | | | |
| ATIS | ATIS.3GPP.23.334V1120-2014 | 11.2.0 | Approved | May 14 | https://www.atis.org/docstore/default.aspx |
| CCSA | CCSA-TSD-TDD-23.334 | 11.2.0 | Published | Jun 14 | http://www.ccsa.org.cn/english/tc/files.php?docpath=/ITU-R/M.1457/M.1457-12/TDD |
| ETSI | ETSI TS 123 334 | 11.2.0 | Published | Jan 13 | http://www.etsi.org/deliver/etsi_ts/123300_123399/123334/11.02.00_60/ |
| TTC | TS-3GA-23.334(Rel11)v11.2.0 | 11.2.0 | Approved | Jun 13 | http://www.ttc.or.jp/j/document_list/free/3gpps2013/TS/TS-3GA-23.334(Rel11)v11.2.0.pdf |

5.3.2.12.44 TS 23.335

User Data Convergence (UDC); Technical realization and information flows; Stage 2

This document describes the procedures and signalling flows associated to the technical realization of the 3GPP User Data Convergence (UDC). It furthermore indicates some requirements for the Stage 3 specifications. Special consideration is put in the following areas: – reference architecture for the UDC concept – general description of procedures for the user data manipulation (e.g. create, delete, update, etc.) – identification of the requirements on the UDC for the applicability of the mechanisms described in this document. User data convergence is an optional concept to ensure data consistency and simplify creation of new services by providing easy access to the user data, as well as to ensure the consistency of storage and data models and to have minimum impact on traffic mechanisms, reference points and protocols of network elements.

| SDO (2) | Document No. | Version | Status | Issued date | Location (1) |
|-------------------|-----------------------------|---------|-----------|-------------|---|
| Release 9 | | | | | |
| ATIS | ATIS.3GPP.23.335V930-2012 | 9.3.0 | Approved | Jul 12 | https://www.atis.org/docstore/default.aspx |
| CCSA | CCSA-TSD-TDD-23.335 | 9.3.0 | Published | Jun 12 | http://www.ccsa.org.cn/english/tc/files.php?docpath=/ITU-R/M.1457/M.1457-12/TDD |
| ETSI | ETSI TS 123 335 | 9.3.0 | Published | Jan 11 | http://www.etsi.org/deliver/etsi_ts/123300_123399/123335/09.03.00_60/ |
| TTC | TS-3GA-23.335(Rel9)v9.3.0 | 9.3.0 | Approved | Apr 11 | http://www.ttc.or.jp/j/document_list/free/3gpps2011/TS/TS-3GA-23.335(Rel9)v9.3.0.pdf |
| Release 10 | | | | | |
| ATIS | ATIS.3GPP.23.335V1000-2012 | 10.0.0 | Approved | Jul 12 | https://www.atis.org/docstore/default.aspx |
| CCSA | CCSA-TSD-TDD-23.335 | 10.0.0 | Published | Jun 12 | http://www.ccsa.org.cn/english/tc/files.php?docpath=/ITU-R/M.1457/M.1457-12/TDD |
| ETSI | ETSI TS 123 335 | 10.0.0 | Published | Apr 11 | http://www.etsi.org/deliver/etsi_ts/123300_123399/123335/10.00.00_60/ |
| TTC | TS-3GA-23.335(Rel10)v10.0.0 | 10.0.0 | Approved | Jun 11 | http://www.ttc.or.jp/j/document_list/free/3gpps2011/TS/TS-3GA-23.335(Rel10)v10.0.0.pdf |
| Release 11 | | | | | |
| ATIS | ATIS.3GPP.23.335V1100-2014 | 11.0.0 | Approved | May 14 | https://www.atis.org/docstore/default.aspx |
| CCSA | CCSA-TSD-TDD-23.335 | 11.0.0 | Published | Jun 14 | http://www.ccsa.org.cn/english/tc/files.php?docpath=/ITU-R/M.1457/M.1457-12/TDD |
| ETSI | ETSI TS 123 335 | 11.0.0 | Published | Oct 12 | http://www.etsi.org/deliver/etsi_ts/123300_123399/123335/11.00.00_60/ |
| TTC | TS-3GA-23.335(Rel11)v11.0.0 | 11.0.0 | Approved | Jun 13 | http://www.ttc.or.jp/j/document_list/free/3gpps2013/TS/TS-3GA-23.335(Rel11)v11.0.0.pdf |

5.3.2.12.45 TS 23.380

IMS Restoration Procedures

This document specifies the IMS procedures required to handle a S-CSCF service interruption scenario with minimum impact to the service to the end user.

| SDO (2) | Document No. | Version | Status | Issued date | Location (1) |
|-------------------|-----------------------------|---------|-----------|-------------|---|
| Release 8 | | | | | |
| CCSA | CCSA-TSD-TDD-23.380 | 8.4.0 | Published | Jun 12 | http://www.ccsa.org.cn/english/tc/files.php?docpath=/ITU-R/M.1457/M.1457-12/TDD |
| ETSI | ETSI TS 123 380 | 8.5.0 | Published | Oct 12 | http://www.etsi.org/deliver/etsi_ts/123300_123399/123380/08.05.00_60/ |
| TTC | TS-3GA-23.380(Rel8)v8.5.0 | 8.5.0 | Approved | Dec 12 | http://www.ttc.or.jp/j/document_list/free/3gpps2012/TS/TS-3GA-23.380(Rel8)v8.5.0.pdf |
| Release 9 | | | | | |
| ATIS | ATIS.3GPP.23.380V950-2014 | 9.5.0 | Approved | May 14 | https://www.atis.org/docstore/default.aspx |
| CCSA | CCSA-TSD-TDD-23.380 | 9.4.0 | Published | Jun 12 | http://www.ccsa.org.cn/english/tc/files.php?docpath=/ITU-R/M.1457/M.1457-12/TDD |
| ETSI | ETSI TS 123 380 | 9.5.0 | Published | Oct 12 | http://www.etsi.org/deliver/etsi_ts/123300_123399/123380/09.05.00_60/ |
| TTC | TS-3GA-23.380(Rel9)v9.5.0 | 9.5.0 | Approved | Dec 12 | http://www.ttc.or.jp/jp/document_list/free/3gpps2012/TS/TS-3GA-23.380(Rel9)v9.5.0.pdf |
| Release 10 | | | | | |
| ATIS | ATIS.3GPP.23.380V1020-2014 | 10.2.0 | Approved | May 14 | https://www.atis.org/docstore/default.aspx |
| CCSA | CCSA-TSD-TDD-23.380 | 10.1.0 | Published | Jun 12 | http://www.ccsa.org.cn/english/tc/files.php?docpath=/ITU-R/M.1457/M.1457-12/TDD |
| ETSI | ETSI TS 123 380 | 10.2.0 | Published | Oct 12 | http://www.etsi.org/deliver/etsi_ts/123300_123399/123380/10.02.00_60/ |
| TTC | TS-3GA-23.380(Rel10)v10.2.0 | 10.2.0 | Approved | Dec 12 | http://www.ttc.or.jp/jp/document_list/free/3gpps2012/TS/TS-3GA-23.380(Rel10)v10.2.0.pdf |
| Release 11 | | | | | |
| ATIS | ATIS.3GPP.23.380V1110-2014 | 11.1.0 | Approved | May 14 | https://www.atis.org/docstore/default.aspx |
| CCSA | CCSA-TSD-TDD-23.380 | 11.3.0 | Published | Jun 14 | http://www.ccsa.org.cn/english/tc/files.php?docpath=/ITU-R/M.1457/M.1457-12/TDD |
| ETSI | ETSI TS 123 380 | 11.1.0 | Published | Jan 13 | http://www.etsi.org/deliver/etsi_ts/123300_123399/123380/11.01.00_60/ |
| TTC | TS-3GA-23.380(Rel11)v11.1.0 | 11.1.0 | Approved | Jun 13 | http://www.ttc.or.jp/jp/document_list/free/3gpps2013/TS/TS-3GA-23.380(Rel11)v11.1.0.pdf |

5.3.2.12.46 TS 24.002**GSM – UMTS Public Land Mobile Network (PLMN) Access Reference Configuration**

This document describes the reference configuration for access to a PLMN. A user accesses a PLMN via a number of interfaces, including the MS-BS (in A/Gb mode and GERAN Iu mode), UE-UTRAN (in UTRAN Iu mode) and UE-E-UTRAN interface. The purpose of this document is to indicate the possible access arrangements that may be used in conjunction with the MS-BS (in A/Gb mode and GERAN Iu mode), UE-UTRAN (in UTRAN Iu mode) and UE-E – UTRAN interface.

| SDO (2) | Document No. | Version | Status | Issued date | Location (1) |
|-------------------|---------------------|---------|-----------|-------------|---|
| Release 99 | | | | | |
| CCSA | CCSA-TSD-TDD-24.002 | 3.1.1 | Published | Jun 12 | http://www.ccsa.org.cn/english/tc/files.php?docpath=/ITU-R/M.1457/M.1457-12/TDD |
| ETSI | ETSI TS 124 002 | 3.1.1 | Published | Jun 03 | http://www.etsi.org/deliver/etsi_ts/124000_124099/124002/03.01.01_60/ |

| | | | | | |
|-------------------|-----------------------------|--------|-----------|--------|---|
| TTC | JP-3GA-24.002(R99) | 3.1.0 | Approved | May 01 | http://www.ttc.or.jp/j/document_list/pdf/j/STD/JP-3GA-24.002(R99)v2.pdf |
| Release 4 | | | | | |
| CCSA | CCSA-TSD-TDD-24.002 | 4.1.1 | Published | Jun 12 | http://www.ccsa.org.cn/english/tc/files.php?docpath=/ITU-R/M.1457/M.1457-12/TDD |
| ETSI | ETSI TS 124 002 | 4.1.1 | Published | Jun 03 | http://www.etsi.org/deliver/etsi_ts/124000_124099/124002/04.01.01_60/ |
| TTC | TS-3GA-24.002(Rel4)v4.1.0 | 4.1.0 | Approved | May 03 | http://www.ttc.or.jp/j/document_list/free/TS/TS-3GA-24.002(Rel4)v4.1.0.pdf |
| Release 5 | | | | | |
| CCSA | CCSA-TSD-TDD-24.002 | 5.1.1 | Published | Jun 12 | http://www.ccsa.org.cn/english/tc/files.php?docpath=/ITU-R/M.1457/M.1457-12/TDD |
| ETSI | ETSI TS 124 002 | 5.1.1 | Published | Jun 03 | http://www.etsi.org/deliver/etsi_ts/124000_124099/124002/05.01.01_60/ |
| TTC | TS-3GA-24.002(Rel5)v5.1.0 | 5.1.0 | Approved | May 03 | http://www.ttc.or.jp/j/document_list/free/TS/TS-3GA-24.002(Rel5)v5.1.0.pdf |
| Release 6 | | | | | |
| CCSA | CCSA-TSD-TDD-24.002 | 6.0.0 | Published | Jun 12 | http://www.ccsa.org.cn/english/tc/files.php?docpath=/ITU-R/M.1457/M.1457-12/TDD |
| ETSI | ETSI TS 124 002 | 6.0.0 | Published | Jan 05 | http://www.etsi.org/deliver/etsi_ts/124000_124099/124002/06.00.00_60/ |
| TTC | TS-3GA-24.002(Rel6)v6.0.0 | 6.0.0 | Approved | Mar 05 | http://www.ttc.or.jp/j/document_list/free/TS/TS-3GA-24.002(Rel6)v6.0.0.pdf |
| Release 7 | | | | | |
| CCSA | CCSA-TSD-TDD-24.002 | 7.0.0 | Published | Jun 12 | http://www.ccsa.org.cn/english/tc/files.php?docpath=/ITU-R/M.1457/M.1457-12/TDD |
| ETSI | ETSI TS 124 002 | 7.0.0 | Published | Jul 07 | http://www.etsi.org/deliver/etsi_ts/124000_124099/124002/07.00.00_60/ |
| TTC | TS-3GA-24.002(Rel7)v7.0.0 | 7.0.0 | Approved | Mar 08 | http://www.ttc.or.jp/j/document_list/free/TS/TS-3GA-24.002(Rel7)v7.0.0.pdf |
| Release 8 | | | | | |
| CCSA | CCSA-TSD-TDD-24.002 | 8.1.0 | Published | Jun 12 | http://www.ccsa.org.cn/english/tc/files.php?docpath=/ITU-R/M.1457/M.1457-12/TDD |
| ETSI | ETSI TS 124 002 | 8.1.0 | Published | Mar 09 | http://www.etsi.org/deliver/etsi_ts/124000_124099/124002/08.01.00_60/ |
| TTC | TS-3GA-24.002(Rel8)v8.1.0 | 8.1.0 | Approved | Jul 09 | http://www.ttc.or.jp/j/document_list/free/3gpps2009/TS/TS-3GA-24.002(Rel8)v8.1.0.pdf |
| Release 9 | | | | | |
| CCSA | CCSA-TSD-TDD-24.002 | 9.0.0 | Published | Jun 12 | http://www.ccsa.org.cn/english/tc/files.php?docpath=/ITU-R/M.1457/M.1457-12/TDD |
| ETSI | ETSI TS 124 002 | 9.0.0 | Published | Jan 10 | http://www.etsi.org/deliver/etsi_ts/124000_124099/124002/09.00.00_60/ |
| TTC | TS-3GA-24.002(Rel9)v9.0.0 | 9.0.0 | Approved | Jul 10 | http://www.ttc.or.jp/j/document_list/free/3gpps2010/TS/TS-3GA-24.002(Rel9)v9.0.0.pdf |
| Release 10 | | | | | |
| ATIS | ATIS.3GPP.24.002V1000-2012 | 10.0.0 | Approved | Jul 12 | https://www.atis.org/docstore/default.aspx |
| CCSA | CCSA-TSD-TDD-24.002 | 10.0.0 | Published | Jun 12 | http://www.ccsa.org.cn/english/tc/files.php?docpath=/ITU-R/M.1457/M.1457-12/TDD |
| ETSI | ETSI TS 124 002 | 10.0.0 | Published | Mar 11 | http://www.etsi.org/deliver/etsi_ts/124000_124099/124002/10.00.00_60/ |
| TTC | TS-3GA-24.002(Rel10)v10.0.0 | 10.0.0 | Approved | Jun 11 | http://www.ttc.or.jp/j/document_list/free/3gpps2011/TS/TS-3GA-24.002(Rel10)v10.0.0.pdf |
| Release 11 | | | | | |
| ATIS | ATIS.3GPP.24.002V1100-2014 | 11.0.0 | Approved | May 14 | https://www.atis.org/docstore/default.aspx |
| CCSA | CCSA-TSD-TDD-24.002 | 11.0.0 | Published | Jun 14 | http://www.ccsa.org.cn/english/tc/files.php?docpath=/ITU-R/M.1457/M.1457-12/TDD |
| ETSI | ETSI TS 124 002 | 11.0.0 | Published | Oct 12 | http://www.etsi.org/deliver/etsi_ts/124000_124099/124002/11.00.00_60/ |
| TTC | TS-3GA-24.002(Rel11)v11.0.0 | 11.0.0 | Approved | Jun 13 | http://www.ttc.or.jp/j/document_list/free/3gpps2013/TS/TS-3GA-24.002(Rel11)v11.0.0.pdf |

5.3.2.12.47 TS 24.007

Mobile radio interface signalling layer 3; General Aspects

This specification describes the principal architecture of Layer 3 and its sub-layers on the GSM Um interface, i.e. the interface between mobile station (MS) and network; for the CM sub-layer, the description is restricted to paradigmatic examples, CC, supplementary services, and short message services for non-

general packet radio service (GPRS) services. It also defines the basic message format and error handling applied by the Layer 3 protocols.

| SDO (2) | Document No. | Version | Status | Issued date | Location (1) |
|-------------------|-----------------------------|---------|-----------|-------------|---|
| Release 99 | | | | | |
| ATIS | ATIS.3GPP.24.007V3100-2005 | 3.10.0 | Approved | Apr 05 | https://www.atis.org/docstore/default.aspx |
| CCSA | CCSA-TSD-TDD-24.007 | 3.10.0 | Published | Jun 04 | http://www.ccsa.org.cn/english/tc/files.php?docpath=/ITU-R/M.1457/M.1457-12/TDD |
| ETSI | ETSI TS 124 007 | 3.10.0 | Published | Jun 04 | http://www.etsi.org/deliver/etsi_ts/124000_124099/124007/03.10.00_60/ |
| TTC | TS-3GA-24.007(R99)v3.10.0 | 3.10.0 | Approved | Aug 04 | http://www.ttc.or.jp/j/document_list/free/TS/TS-3GA-24.007(R99)v3.10.0.pdf |
| Release 4 | | | | | |
| ATIS | ATIS.3GPP.24.007V440-2005 | 4.4.0 | Approved | Apr 05 | https://www.atis.org/docstore/default.aspx |
| CCSA | CCSA-TSD-TDD-24.007 | 4.4.0 | Published | Jan 05 | http://www.ccsa.org.cn/english/tc/files.php?docpath=/ITU-R/M.1457/M.1457-12/TDD |
| ETSI | ETSI TS 124 007 | 4.4.0 | Published | Jan 05 | http://www.etsi.org/deliver/etsi_ts/124000_124099/124007/04.04.00_60/ |
| TTC | TS-3GA-24.007(Rel4)v4.4.0 | 4.4.0 | Approved | Mar 05 | http://www.ttc.or.jp/j/document_list/free/TS/TS-3GA-24.007(Rel4)v4.4.0.pdf |
| Release 5 | | | | | |
| ATIS | ATIS.3GPP.24.007V540-2006 | 5.4.0 | Approved | Apr 06 | https://www.atis.org/docstore/default.aspx |
| CCSA | CCSA-TSD-TDD-24.007 | 5.4.0 | Published | Apr 05 | http://www.ccsa.org.cn/english/tc/files.php?docpath=/ITU-R/M.1457/M.1457-12/TDD |
| ETSI | ETSI TS 124 007 | 5.4.0 | Published | Apr 05 | http://www.etsi.org/deliver/etsi_ts/124000_124099/124007/05.04.00_60/ |
| TTC | TS-3GA-24.007(Rel5)v5.4.0 | 5.4.0 | Approved | May 05 | http://www.ttc.or.jp/j/document_list/free/TS/TS-3GA-24.007(Rel5)v5.4.0.pdf |
| Release 6 | | | | | |
| ATIS | ATIS.3GPP.24.007V650-2006 | 6.5.0 | Approved | Apr 06 | https://www.atis.org/docstore/default.aspx |
| CCSA | CCSA-TSD-TDD-24.007 | 6.5.0 | Published | Oct 05 | http://www.ccsa.org.cn/english/tc/files.php?docpath=/ITU-R/M.1457/M.1457-12/TDD |
| ETSI | ETSI TS 124 007 | 6.5.0 | Published | Oct 05 | http://www.etsi.org/deliver/etsi_ts/124000_124099/124007/06.05.00_60/ |
| TTC | TS-3GA-24.007(Rel6)v6.5.0 | 6.5.0 | Approved | Nov 05 | http://www.ttc.or.jp/j/document_list/free/TS/TS-3GA-24.007(Rel6)v6.5.0.pdf |
| Release 7 | | | | | |
| ATIS | ATIS.3GPP.24.007V700-2007 | 7.0.0 | Approved | Oct 07 | https://www.atis.org/docstore/default.aspx |
| CCSA | CCSA-TSD-TDD-24.007 | 7.0.0 | Published | Jan 06 | http://www.ccsa.org.cn/english/tc/files.php?docpath=/ITU-R/M.1457/M.1457-12/TDD |
| ETSI | ETSI TS 124 007 | 7.0.0 | Published | Jan 06 | http://www.etsi.org/deliver/etsi_ts/124000_124099/124007/07.00.00_60/ |
| TTC | TS-3GA-24.007(Rel7)v7.0.0 | 7.0.0 | Approved | Mar 08 | http://www.ttc.or.jp/j/document_list/free/TS/TS-3GA-24.007(Rel7)v7.0.0.pdf |
| Release 8 | | | | | |
| ATIS | ATIS.3GPP.24.007V820-2010 | 8.2.0 | Approved | Jul 10 | https://www.atis.org/docstore/default.aspx |
| CCSA | CCSA-TSD-TDD-24.007 | 8.2.0 | Published | Mar 10 | http://www.ccsa.org.cn/english/tc/files.php?docpath=/ITU-R/M.1457/M.1457-12/TDD |
| ETSI | ETSI TS 124 007 | 8.2.0 | Published | Jun 09 | http://www.etsi.org/deliver/etsi_ts/124000_124099/124007/08.02.00_60/ |
| TTC | TS-3GA-24.007(Rel8)v8.2.0 | 8.2.0 | Approved | Oct 09 | http://www.ttc.or.jp/j/document_list/free/3gpps2009/TS/TS-3GA-24.007(Rel8)v8.2.0.pdf |
| Release 9 | | | | | |
| ATIS | ATIS.3GPP.24.007V900-2010 | 9.0.0 | Approved | Jul 10 | https://www.atis.org/docstore/default.aspx |
| CCSA | CCSA-TSD-TDD-24.007 | 9.0.0 | Published | Jun 12 | http://www.ccsa.org.cn/english/tc/files.php?docpath=/ITU-R/M.1457/M.1457-12/TDD |
| ETSI | ETSI TS 124 007 | 9.0.0 | Published | Jan 10 | http://www.etsi.org/deliver/etsi_ts/124000_124099/124007/09.00.00_60/ |
| TTC | TS-3GA-24.007(Rel9)v9.0.0 | 9.0.0 | Approved | Jul 10 | http://www.ttc.or.jp/j/document_list/free/3gpps2010/TS/TS-3GA-24.007(Rel9)v9.0.0.pdf |
| Release 10 | | | | | |
| ATIS | ATIS.3GPP.24.007V1000-2012 | 10.0.0 | Approved | Jul 12 | https://www.atis.org/docstore/default.aspx |
| ATIS | ATIS.3GPP.24.007V1000-2012 | 10.0.0 | Approved | Jul 12 | https://www.atis.org/docstore/default.aspx |
| CCSA | CCSA-TSD-TDD-24.007 | 10.0.0 | Published | Jun 12 | http://www.ccsa.org.cn/english/tc/files.php?docpath=/ITU-R/M.1457/M.1457-12/TDD |
| ETSI | ETSI TS 124 007 | 10.0.0 | Published | Mar 11 | http://www.etsi.org/deliver/etsi_ts/124000_124099/124007/10.00.00_60/ |
| TTC | TS-3GA-24.007(Rel10)v10.0.0 | 10.0.0 | Approved | Jun 11 | http://www.ttc.or.jp/j/document_list/free/3gpps2011/TS/TS-3GA-24.007(Rel10)v10.0.0.pdf |

Release 11

| | | | | | |
|------|-----------------------------|--------|-----------|--------|---|
| ATIS | ATIS.3GPP.24.007V1100-2014 | 11.0.0 | Approved | May 14 | https://www.atis.org/docstore/default.aspx |
| CCSA | CCSA-TSD-TDD-24.007 | 11.0.0 | Published | Jun 14 | http://www.ccsa.org.cn/english/tc/files.php?docpath=/ITU-R/M.1457/M.1457-12/TDD |
| ETSI | ETSI TS 124 007 | 11.0.0 | Published | Nov 12 | http://www.etsi.org/deliver/etsi_ts/124000_124099/124007/11.00.00_60/ |
| TTC | TS-3GA-24.007(Rel11)v11.0.0 | 11.0.0 | Approved | Jun 13 | http://www.ttc.or.jp/j/document_list/free/3gpps2013/TS/TS-3GA-24.007(Rel11)v11.0.0.pdf |

5.3.2.12.48 TS 24.008**Mobile radio interface Layer 3 specification; Core network protocols; Stage 3**

This specification describes the procedures used at the radio interface for Call Control, Mobility Management and Session Management. The procedures currently described are for the CC of circuit-switched connections, SM for GPRS services, MM and radio resource management for circuit-switched and GPRS services. MBMS is also added.

| SDO (2) | Document No. | Version | Status | Issued date | Location (1) |
|-------------------|----------------------------|---------|-----------|-------------|---|
| Release 99 | | | | | |
| ATIS | ATIS.3GPP.24.008V3200-2006 | 3.20.0 | Approved | Apr 06 | https://www.atis.org/docstore/default.aspx |
| CCSA | CCSA-TSD-TDD-24.008 | 3.20.0 | Published | Jan 06 | http://www.ccsa.org.cn/english/tc/files.php?docpath=/ITU-R/M.1457/M.1457-12/TDD |
| ETSI | ETSI TS 124 008 | 3.20.0 | Published | Jan 06 | http://www.etsi.org/deliver/etsi_ts/124000_124099/124008/03.20.00_60/ |
| TTC | TS-3GA-24.008(R99)v3.20.0 | 3.20.0 | Approved | Feb 06 | http://www.ttc.or.jp/j/document_list/free/TS/TS-3GA-24.008(R99)v3.20.0.pdf |
| Release 4 | | | | | |
| ATIS | ATIS.3GPP.24.008V4170-2007 | 4.17.0 | Approved | Oct 07 | https://www.atis.org/docstore/default.aspx |
| CCSA | CCSA-TSD-TDD-24.008 | 4.17.0 | Published | Oct 07 | http://www.ccsa.org.cn/english/tc/files.php?docpath=/ITU-R/M.1457/M.1457-12/TDD |
| ETSI | ETSI TS 124 008 | 4.17.0 | Published | Oct 07 | http://www.etsi.org/deliver/etsi_ts/124000_124099/124008/04.17.00_60/ |
| TTC | TS-3GA-24.008(Rel4)v4.17.0 | 4.17.0 | Approved | Mar 08 | http://www.ttc.or.jp/j/document_list/free/TS/TS-3GA-24.008(Rel4)v4.17.0.pdf |
| Release 5 | | | | | |
| ATIS | ATIS.3GPP.24.008V5160-2007 | 5.16.0 | Approved | Oct 07 | https://www.atis.org/docstore/default.aspx |
| CCSA | CCSA-TSD-TDD-24.008 | 5.16.0 | Published | Aug 06 | http://www.ccsa.org.cn/english/tc/files.php?docpath=/ITU-R/M.1457/M.1457-12/TDD |
| ETSI | ETSI TS 124 008 | 5.16.0 | Published | Aug 06 | http://www.etsi.org/deliver/etsi_ts/124000_124099/124008/05.16.00_60/ |
| TTC | TS-3GA-24.008(Rel5)v5.16.0 | 5.16.0 | Approved | Mar 07 | http://www.ttc.or.jp/j/document_list/free/TS/TS-3GA-24.008(Rel5)v5.16.0.pdf |
| Release 6 | | | | | |
| ATIS | ATIS.3GPP.24.008V6200-2010 | 6.20.0 | Approved | Jul 10 | https://www.atis.org/docstore/default.aspx |
| CCSA | CCSA-TSD-TDD-24.008 | 6.20.0 | Published | Mar 10 | http://www.ccsa.org.cn/english/tc/files.php?docpath=/ITU-R/M.1457/M.1457-12/TDD |
| ETSI | ETSI TS 124 008 | 6.20.0 | Published | Apr 10 | http://www.etsi.org/deliver/etsi_ts/124000_124099/124008/06.20.00_60/ |
| TTC | TS-3GA-24.008(Rel6)v6.20.0 | 6.20.0 | Approved | Jul 10 | http://www.ttc.or.jp/j/document_list/free/3gpps2010/TS/TS-3GA-24.008(Rel6)v6.20.0.pdf |
| Release 7 | | | | | |
| ATIS | ATIS.3GPP.24.008V7150-2010 | 7.15.0 | Approved | Jul 10 | https://www.atis.org/docstore/default.aspx |
| CCSA | CCSA-TSD-TDD-24.008 | 7.15.0 | Published | Mar 10 | http://www.ccsa.org.cn/english/tc/files.php?docpath=/ITU-R/M.1457/M.1457-12/TDD |
| ETSI | ETSI TS 124 008 | 7.15.0 | Published | Apr 10 | http://www.etsi.org/deliver/etsi_ts/124000_124099/124008/07.15.00_60/ |
| TTC | TS-3GA-24.008(Rel7)v7.15.0 | 7.15.0 | Approved | Jul 10 | http://www.ttc.or.jp/j/document_list/free/3gpps2010/TS/TS-3GA-24.008(Rel7)v7.15.0.pdf |
| Release 8 | | | | | |
| ATIS | ATIS.3GPP.24.008V8180-2014 | 8.18.0 | Approved | May 14 | https://www.atis.org/docstore/default.aspx |
| CCSA | CCSA-TSD-TDD-24.008 | 8.15.0 | Published | Jun 12 | http://www.ccsa.org.cn/english/tc/files.php?docpath=/ITU-R/M.1457/M.1457-12/TDD |

| | | | | | |
|-------------------|------------------------------|---------|-----------|--------|---|
| ETSI | ETSI TS 124 008 | 8.18.0 | Published | Nov 12 | http://www.etsi.org/deliver/etsi_ts/124000_124099/124008/08.18.00_60/ |
| TTC | TS-3GA-24.008(Rel8)v8.18.0 | 8.18.0 | Approved | Dec 12 | http://www.ttc.or.jp/jp/document_list/free/3gpps2012/TS/TS-3GA-24.008(Rel8)v8.18.0.pdf |
| Release 9 | | | | | |
| ATIS | ATIS.3GPP.24.008V9120-2014 | 9.12.0 | Approved | May 14 | https://www.atis.org/docstore/default.aspx |
| CCSA | CCSA-TSD-TDD-24.008 | 9.9.0 | Published | Jun 12 | http://www.ccsa.org.cn/english/tc/files.php?docpath=/ITU-R/M.1457/M.1457-12/TDD |
| ETSI | ETSI TS 124 008 | 9.12.0 | Published | Nov 12 | http://www.etsi.org/deliver/etsi_ts/124000_124099/124008/09.12.00_60/ |
| TTC | TS-3GA-24.008(Rel9)v9.12.0 | 9.12.0 | Approved | Dec 12 | http://www.ttc.or.jp/jp/document_list/free/3gpps2012/TS/TS-3GA-24.008(Rel9)v9.12.0.pdf |
| Release 10 | | | | | |
| ATIS | ATIS.3GPP.24.008V10100- | 10.10.0 | Approved | May 14 | https://www.atis.org/docstore/default.aspx |
| CCSA | CCSA-TSD-TDD-24.008 | 10.5.0 | Published | Jun 12 | http://www.ccsa.org.cn/english/tc/files.php?docpath=/ITU-R/M.1457/M.1457-12/TDD |
| ETSI | ETSI TS 124 008 | 10.10.0 | Published | Apr 13 | http://www.etsi.org/deliver/etsi_ts/124000_124099/124008/10.10.00_60/ |
| TTC | TS-3GA-24.008(Rel10)v10.10.0 | 10.10.0 | Approved | Jun 13 | http://www.ttc.or.jp/jp/document_list/free/3gpps2013/TS/TS-3GA-24.008(Rel10)v10.10.0.pdf |
| Release 11 | | | | | |
| ATIS | ATIS.3GPP.24.008V1160-2014 | 11.6.0 | Approved | May 14 | https://www.atis.org/docstore/default.aspx |
| CCSA | CCSA-TSD-TDD-24.008 | 11.11.0 | Published | Jun 14 | http://www.ccsa.org.cn/english/tc/files.php?docpath=/ITU-R/M.1457/M.1457-12/TDD |
| ETSI | ETSI TS 124 008 | 11.6.0 | Published | Apr 13 | http://www.etsi.org/deliver/etsi_ts/124000_124099/124008/11.06.00_60/ |
| TTC | TS-3GA-24.008(Rel11)v11.6.0 | 11.6.0 | Approved | Jun 13 | http://www.ttc.or.jp/jp/document_list/free/3gpps2013/TS/TS-3GA-24.008(Rel11)v11.6.0.pdf |

5.3.2.12.49 TS 24.010

Mobile radio interface layer 3; Supplementary services specification; General aspects

This specification describes the general aspects of the specification of supplementary services at the Layer 3 radio interface. Details will be specified in other TS.

| SDO (2) | Document No. | Version | Status | Issued date | Location (1) |
|-------------------|---------------------------|---------|-----------|-------------|---|
| Release 99 | | | | | |
| ATIS | T1.3GPP.24.010V320-2002 | 3.2.0 | Approved | May 02 | https://www.atis.org/docstore/default.aspx |
| CCSA | CCSA-TSD-TDD-24.010 | 3.2.0 | Published | Jan 02 | http://www.ccsa.org.cn/english/tc/files.php?docpath=/ITU-R/M.1457/M.1457-12/TDD |
| ETSI | ETSI TS 124 010 | 3.2.0 | Published | Jan 02 | http://www.etsi.org/deliver/etsi_ts/124000_124099/124010/03.02.00_60/ |
| TTC | TS-3GA-24.010(R99)v3.2.0 | 3.2.0 | Approved | Feb 02 | http://www.ttc.or.jp/jp/document_list/free/TS/TS-3GA-24.010(R99)v3.2.0.pdf |
| Release 4 | | | | | |
| ATIS | T1.3GPP.24.010V420-2002 | 4.2.0 | Approved | May 02 | https://www.atis.org/docstore/default.aspx |
| CCSA | CCSA-TSD-TDD-24.010 | 4.2.0 | Published | Jan 02 | http://www.ccsa.org.cn/english/tc/files.php?docpath=/ITU-R/M.1457/M.1457-12/TDD |
| ETSI | ETSI TS 124 010 | 4.2.0 | Published | Jan 02 | http://www.etsi.org/deliver/etsi_ts/124000_124099/124010/04.02.00_60/ |
| TTC | TS-3GA-24.010(Rel4)v4.2.0 | 4.2.0 | Approved | Feb 02 | http://www.ttc.or.jp/jp/document_list/free/TS/TS-3GA-24.010(Rel4)v4.2.0.pdf |
| Release 5 | | | | | |
| ATIS | T1.3GPP.24.010V500-2003 | 5.0.0 | Approved | Mar 03 | https://www.atis.org/docstore/default.aspx |
| CCSA | CCSA-TSD-TDD-24.010 | 5.0.0 | Published | Jul 02 | http://www.ccsa.org.cn/english/tc/files.php?docpath=/ITU-R/M.1457/M.1457-12/TDD |
| ETSI | ETSI TS 124 010 | 5.0.0 | Published | Jul 02 | http://www.etsi.org/deliver/etsi_ts/124000_124099/124010/05.00.00_60/ |
| TTC | TS-3GA-24.010(Rel5)v5.0.0 | 5.0.0 | Approved | Aug 02 | http://www.ttc.or.jp/jp/document_list/free/TS/TS-3GA-24.010(Rel5)v5.0.0.pdf |
| Release 6 | | | | | |
| ATIS | ATIS.3GPP.24.010V600-2005 | 6.0.0 | Approved | Apr 05 | https://www.atis.org/docstore/default.aspx |
| CCSA | CCSA-TSD-TDD-24.010 | 6.0.0 | Published | Jan 05 | http://www.ccsa.org.cn/english/tc/files.php?docpath=/ITU-R/M.1457/M.1457-12/TDD |

| | | | | | |
|-------------------|-----------------------------|--------|-----------|--------|---|
| ETSI | ETSI TS 124 010 | 6.0.0 | Published | Jan 05 | http://www.etsi.org/deliver/etsi_ts/124000_124099/124010/06.00.00_60/ |
| TTC | TS-3GA-24.010(Rel6)v6.0.0 | 6.0.0 | Approved | Mar 05 | http://www.ttc.or.jp/j/document_list/free/TS/TS-3GA-24.010(Rel6)v6.0.0.pdf |
| Release 7 | | | | | |
| ATIS | ATIS.3GPP.24.010V700-2007 | 7.0.0 | Approved | Oct 07 | https://www.atis.org/docstore/default.aspx |
| CCSA | CCSA-TSD-TDD-24.010 | 7.0.0 | Published | Jul 07 | http://www.ccsa.org.cn/english/tc/files.php?docpath=/ITU-R/M.1457/M.1457-12/TDD |
| ETSI | ETSI TS 124 010 | 7.0.0 | Published | Jul 07 | http://www.etsi.org/deliver/etsi_ts/124000_124099/124010/07.00.00_60/ |
| TTC | TS-3GA-24.010(Rel7)v7.0.0 | 7.0.0 | Approved | Mar 08 | http://www.ttc.or.jp/j/document_list/free/TS/TS-3GA-24.010(Rel7)v7.0.0.pdf |
| Release 8 | | | | | |
| ATIS | ATIS.3GPP.24.010V800-2009 | 8.0.0 | Approved | Jul 09 | https://www.atis.org/docstore/default.aspx |
| CCSA | CCSA-TSD-TDD-24.010 | 8.0.0 | Published | Jan 09 | http://www.ccsa.org.cn/english/tc/files.php?docpath=/ITU-R/M.1457/M.1457-12/TDD |
| ETSI | ETSI TS 124 010 | 8.0.0 | Published | Jan 09 | http://www.etsi.org/deliver/etsi_ts/124000_124099/124010/08.00.00_60/ |
| TTC | TS-3GA-24.010(Rel8)v8.0.0 | 8.0.0 | Approved | Feb 09 | http://www.ttc.or.jp/j/document_list/free/3gpps2009/TS/TS-3GA-24.010(Rel8)v8.0.0.pdf |
| Release 9 | | | | | |
| ATIS | ATIS.3GPP.24.010V900-2010 | 9.0.0 | Approved | Jul 10 | https://www.atis.org/docstore/default.aspx |
| CCSA | CCSA-TSD-TDD-24.010 | 9.0.0 | Published | Mar 10 | http://www.ccsa.org.cn/english/tc/files.php?docpath=/ITU-R/M.1457/M.1457-12/TDD |
| ETSI | ETSI TS 124 010 | 9.0.0 | Published | Jan 10 | http://www.etsi.org/deliver/etsi_ts/124000_124099/124010/09.00.00_60/ |
| TTC | TS-3GA-24.010(Rel9)v9.0.0 | 9.0.0 | Approved | Jul 10 | http://www.ttc.or.jp/j/document_list/free/3gpps2010/TS/TS-3GA-24.010(Rel9)v9.0.0.pdf |
| Release 10 | | | | | |
| ATIS | ATIS.3GPP.24.010V1010-2012 | 10.1.0 | Approved | Jul 12 | https://www.atis.org/docstore/default.aspx |
| CCSA | CCSA-TSD-TDD-24.010 | 10.1.0 | Published | Jun 12 | http://www.ccsa.org.cn/english/tc/files.php?docpath=/ITU-R/M.1457/M.1457-12/TDD |
| ETSI | ETSI TS 124 010 | 10.1.0 | Published | Jun 11 | http://www.etsi.org/deliver/etsi_ts/124000_124099/124010/10.01.00_60/ |
| TTC | TS-3GA-24.010(Rel10)v10.1.0 | 10.1.0 | Approved | Aug 11 | http://www.ttc.or.jp/j/document_list/free/3gpps2011/TS/TS-3GA-24.010(Rel10)v10.1.0.pdf |
| Release 11 | | | | | |
| ATIS | ATIS.3GPP.24.010V1100-2014 | 11.0.0 | Approved | May 14 | https://www.atis.org/docstore/default.aspx |
| CCSA | CCSA-TSD-TDD-24.010 | 11.0.0 | Published | Jun 14 | http://www.ccsa.org.cn/english/tc/files.php?docpath=/ITU-R/M.1457/M.1457-12/TDD |
| ETSI | ETSI TS 124 010 | 11.0.0 | Published | Oct 12 | http://www.etsi.org/deliver/etsi_ts/124000_124099/124010/11.00.00_60/ |
| TTC | TS-3GA-24.010(Rel11)v11.0.0 | 11.0.0 | Approved | Jun 13 | http://www.ttc.or.jp/j/document_list/free/3gpps2013/TS/TS-3GA-24.010(Rel11)v11.0.0.pdf |

5.3.2.12.50 TS 24.011

Point-to-Point (PP) Short Message Service (SMS) support on mobile radio interface

This specification describes the procedures used across the mobile radio interface by the signalling Layer 3 function short message control (SMC) and short message relay (SM-RL) function for both circuit-switched GSM and GPRS.

| SDO (2) | Document No. | Version | Status | Issued date | Location (1) |
|-------------------|--------------------------|---------|-----------|-------------|---|
| Release 99 | | | | | |
| ATIS | T1.3GPP.24.011V360-2002 | 3.6.0 | Approved | May 02 | https://www.atis.org/docstore/default.aspx |
| CCSA | CCSA-TSD-TDD-24.011 | 3.6.0 | Published | Apr 01 | http://www.ccsa.org.cn/english/tc/files.php?docpath=/ITU-R/M.1457/M.1457-12/TDD |
| ETSI | ETSI TS 124 011 | 3.6.0 | Published | Apr 01 | http://www.etsi.org/deliver/etsi_ts/124000_124099/124011/03.06.00_60/ |
| TTC | TS-3GA-24.011(R99)v3.6.0 | 3.6.0 | Approved | May 01 | http://www.ttc.or.jp/j/document_list/free/TS/TS-3GA-24.011(R99)v3.6.0.pdf |
| Release 4 | | | | | |

| | | | | | |
|-------------------|-----------------------------|--------|-----------|--------|---|
| ATIS | T1.3GPP.24.011V411-2003 | 4.1.1 | Approved | Mar 03 | https://www.atis.org/docstore/default.aspx |
| CCSA | CCSA-TSD-TDD-24.011 | 4.1.1 | Published | Jul 02 | http://www.ccsa.org.cn/english/tc/files.php?docpath=/ITU-R/M.1457/M.1457-12/TDD |
| ETSI | ETSI TS 124 011 | 4.1.1 | Published | Jul 02 | http://www.etsi.org/deliver/etsi_ts/124000_124099/124011/04.01.01_60/ |
| TTC | TS-3GA-24.011(Rel4)v4.1.0 | 4.1.0 | Approved | May 02 | http://www.ttc.or.jp/j/document_list/free/TS/TS-3GA-24.011(Rel4)v4.1.0.pdf |
| Release 5 | | | | | |
| ATIS | T1.3GPP.24.011V520-2004 | 5.2.0 | Approved | May 04 | https://www.atis.org/docstore/default.aspx |
| CCSA | CCSA-TSD-TDD-24.011 | 5.2.0 | Published | Jul 03 | http://www.ccsa.org.cn/english/tc/files.php?docpath=/ITU-R/M.1457/M.1457-12/TDD |
| ETSI | ETSI TS 124 011 | 5.2.0 | Published | Jul 03 | http://www.etsi.org/deliver/etsi_ts/124000_124099/124011/05.02.00_60/ |
| TTC | TS-3GA-24.011(Rel5)v5.2.0 | 5.2.0 | Approved | Aug 03 | http://www.ttc.or.jp/j/document_list/free/TS/TS-3GA-24.011(Rel5)v5.2.0.pdf |
| Release 6 | | | | | |
| ATIS | ATIS.3GPP.24.011V610-2006 | 6.1.0 | Approved | Apr 06 | https://www.atis.org/docstore/default.aspx |
| CCSA | CCSA-TSD-TDD-24.011 | 6.1.0 | Published | Jun 05 | http://www.ccsa.org.cn/english/tc/files.php?docpath=/ITU-R/M.1457/M.1457-12/TDD |
| ETSI | ETSI TS 124 011 | 6.1.0 | Published | Jun 05 | http://www.etsi.org/deliver/etsi_ts/124000_124099/124011/06.01.00_60/ |
| TTC | TS-3GA-24.011(Rel6)v6.1.0 | 6.1.0 | Approved | Jul 05 | http://www.ttc.or.jp/j/document_list/free/TS/TS-3GA-24.011(Rel6)v6.1.0.pdf |
| Release 7 | | | | | |
| ATIS | ATIS.3GPP.24.011V710-2010 | 7.1.0 | Approved | Jul 10 | https://www.atis.org/docstore/default.aspx |
| CCSA | CCSA-TSD-TDD-24.011 | 7.1.0 | Published | Mar 10 | http://www.ccsa.org.cn/english/tc/files.php?docpath=/ITU-R/M.1457/M.1457-12/TDD |
| ETSI | ETSI TS 124 011 | 7.1.0 | Published | Jun 09 | http://www.etsi.org/deliver/etsi_ts/124000_124099/124011/07.01.00_60/ |
| TTC | TS-3GA-24.011(Rel7)v7.1.0 | 7.1.0 | Approved | Oct 09 | http://www.ttc.or.jp/j/document_list/free/3gpps2009/TS/TS-3GA-24.011(Rel7)v7.1.0.pdf |
| Release 8 | | | | | |
| ATIS | ATIS.3GPP.24.011V820-2010 | 8.2.0 | Approved | Jul 10 | https://www.atis.org/docstore/default.aspx |
| CCSA | CCSA-TSD-TDD-24.011 | 8.2.0 | Published | Mar 10 | http://www.ccsa.org.cn/english/tc/files.php?docpath=/ITU-R/M.1457/M.1457-12/TDD |
| ETSI | ETSI TS 124 011 | 8.2.0 | Published | Jun 09 | http://www.etsi.org/deliver/etsi_ts/124000_124099/124011/08.02.00_60/ |
| TTC | TS-3GA-24.011(Rel8)v8.2.0 | 8.2.0 | Approved | Oct 09 | http://www.ttc.or.jp/j/document_list/free/3gpps2009/TS/TS-3GA-24.011(Rel8)v8.2.0.pdf |
| Release 9 | | | | | |
| ATIS | ATIS.3GPP.24.011V901-2010 | 9.0.1 | Approved | Jul 10 | https://www.atis.org/docstore/default.aspx |
| CCSA | CCSA-TSD-TDD-24.011 | 9.0.1 | Published | Mar 10 | http://www.ccsa.org.cn/english/tc/files.php?docpath=/ITU-R/M.1457/M.1457-12/TDD |
| ETSI | ETSI TS 124 011 | 9.0.1 | Published | Feb 10 | http://www.etsi.org/deliver/etsi_ts/124000_124099/124011/09.00.01_60/ |
| TTC | TS-3GA-24.011(Rel9)v9.0.1 | 9.0.1 | Approved | Jul 10 | http://www.ttc.or.jp/j/document_list/free/3gpps2010/TS/TS-3GA-24.011(Rel9)v9.0.1.pdf |
| Release 10 | | | | | |
| ATIS | ATIS.3GPP.24.011V1000-2012 | 10.0.0 | Approved | Jul 12 | https://www.atis.org/docstore/default.aspx |
| CCSA | CCSA-TSD-TDD-24.011 | 10.0.0 | Published | Jun 12 | http://www.ccsa.org.cn/english/tc/files.php?docpath=/ITU-R/M.1457/M.1457-12/TDD |
| ETSI | ETSI TS 124 011 | 10.0.0 | Published | Mar 11 | http://www.etsi.org/deliver/etsi_ts/124000_124099/124011/10.00.00_60/ |
| TTC | TS-3GA-24.011(Rel10)v10.0.0 | 10.0.0 | Approved | Jun 11 | http://www.ttc.or.jp/j/document_list/free/3gpps2011/TS/TS-3GA-24.011(Rel10)v10.0.0.pdf |
| Release 11 | | | | | |
| ATIS | ATIS.3GPP.24.011V1110-2014 | 11.1.0 | Approved | May 14 | https://www.atis.org/docstore/default.aspx |
| CCSA | CCSA-TSD-TDD-24.011 | 11.1.0 | Published | Apr 01 | http://www.ccsa.org.cn/english/tc/files.php?docpath=/ITU-R/M.1457/M.1457-12/TDD |
| ETSI | ETSI TS 124 011 | 11.1.0 | Published | Oct 12 | http://www.etsi.org/deliver/etsi_ts/124000_124099/124011/11.01.00_60/ |
| TTC | TS-3GA-24.011(Rel11)v11.1.0 | 11.1.0 | Approved | Jun 13 | http://www.ttc.or.jp/j/document_list/free/3gpps2013/TS/TS-3GA-24.011(Rel11)v11.1.0.pdf |

5.3.2.12.51 TS 24.022

Radio Link Protocol (RLP) for circuit switched bearer and teleservices

This specification describes the RLP for data transmission over the UMTS public land mobile network (PLMN). RLP covers the Layer 2 functionality of the ISO OSI reference model (IS 7498). It is based on ideas contained in IS 3309, IS 4335 and IS 7809 (HDLC of ISO) as well as ITU-T Recommendations X.25, Q.921 and Q.922 (LAP-B and LAP-D, respectively). RLP has been tailored to the special needs of digital radio transmission. RLP provides to its users the OSI data link service (IS 8886).

| SDO (2) | Document No. | Version | Status | Issued date | Location (1) |
|-------------------|---------------------------|---------|-----------|-------------|---|
| Release 99 | | | | | |
| ATIS | T1.3GPP.24.022V350-2004 | 3.5.0 | Approved | May 04 | https://www.atis.org/docstore/default.aspx |
| CCSA | CCSA-TSD-TDD-24.022 | 3.5.0 | Published | Jul 03 | http://www.ccsa.org.cn/english/tc/files.php?docpath=/ITU-R/M.1457/M.1457-12/TDD |
| ETSI | ETSI TS 124 022 | 3.5.0 | Published | Jul 03 | http://www.etsi.org/deliver/etsi_ts/124000_124099/124022/03.05.00_60/ |
| TTC | TS-3GA-24.022(R99)v3.5.0 | 3.5.0 | Approved | Aug 03 | http://www.ttc.or.jp/j/document_list/free/TS/TS-3GA-24.022(R99)v3.5.0.pdf |
| Release 4 | | | | | |
| ATIS | T1.3GPP.24.022V410-2004 | 4.1.0 | Approved | May 04 | https://www.atis.org/docstore/default.aspx |
| CCSA | CCSA-TSD-TDD-24.022 | 4.1.0 | Published | Jul 03 | http://www.ccsa.org.cn/english/tc/files.php?docpath=/ITU-R/M.1457/M.1457-12/TDD |
| ETSI | ETSI TS 124 022 | 4.1.0 | Published | Jul 03 | http://www.etsi.org/deliver/etsi_ts/124000_124099/124022/04.01.00_60/ |
| TTC | TS-3GA-24.022(Rel4)v4.1.0 | 4.1.0 | Approved | Aug 03 | http://www.ttc.or.jp/j/document_list/free/TS/TS-3GA-24.022(Rel4)v4.1.0.pdf |
| Release 5 | | | | | |
| ATIS | T1.3GPP.24.022V550-2004 | 5.5.0 | Approved | May 04 | https://www.atis.org/docstore/default.aspx |
| CCSA | CCSA-TSD-TDD-24.022 | 5.5.0 | Published | Jan 04 | http://www.ccsa.org.cn/english/tc/files.php?docpath=/ITU-R/M.1457/M.1457-12/TDD |
| ETSI | ETSI TS 124 022 | 5.5.0 | Published | Jan 04 | http://www.etsi.org/deliver/etsi_ts/124000_124099/124022/05.05.00_60/ |
| TTC | TS-3GA-24.022(Rel5)v5.5.0 | 5.5.0 | Approved | Feb 04 | http://www.ttc.or.jp/j/document_list/free/TS/TS-3GA-24.022(Rel5)v5.5.0.pdf |
| Release 6 | | | | | |
| ATIS | ATIS.3GPP.24.022V600-2005 | 6.0.0 | Approved | Apr 05 | https://www.atis.org/docstore/default.aspx |
| CCSA | CCSA-TSD-TDD-24.022 | 6.0.0 | Published | Jan 05 | http://www.ccsa.org.cn/english/tc/files.php?docpath=/ITU-R/M.1457/M.1457-12/TDD |
| ETSI | ETSI TS 124 022 | 6.0.0 | Published | Jan 05 | http://www.etsi.org/deliver/etsi_ts/124000_124099/124022/06.00.00_60/ |
| TTC | TS-3GA-24.022(Rel6)v6.0.0 | 6.0.0 | Approved | Mar 05 | http://www.ttc.or.jp/j/document_list/free/TS/TS-3GA-24.022(Rel6)v6.0.0.pdf |
| Release 7 | | | | | |
| ATIS | ATIS.3GPP.24.022V700-2007 | 7.0.0 | Approved | Oct 07 | https://www.atis.org/docstore/default.aspx |
| CCSA | CCSA-TSD-TDD-24.022 | 7.0.0 | Published | Jul 07 | http://www.ccsa.org.cn/english/tc/files.php?docpath=/ITU-R/M.1457/M.1457-12/TDD |
| ETSI | ETSI TS 124 022 | 7.0.0 | Published | Jul 07 | http://www.etsi.org/deliver/etsi_ts/124000_124099/124022/07.00.00_60/ |
| TTC | TS-3GA-24.022(Rel7)v7.0.0 | 7.0.0 | Approved | Mar 08 | http://www.ttc.or.jp/j/document_list/free/TS/TS-3GA-24.022(Rel7)v7.0.0.pdf |
| Release 8 | | | | | |
| ATIS | ATIS.3GPP.24.022V800-2009 | 8.0.0 | Approved | Jul 09 | https://www.atis.org/docstore/default.aspx |
| CCSA | CCSA-TSD-TDD-24.022 | 8.0.0 | Published | Jan 09 | http://www.ccsa.org.cn/english/tc/files.php?docpath=/ITU-R/M.1457/M.1457-12/TDD |
| ETSI | ETSI TS 124 022 | 8.0.0 | Published | Jan 09 | http://www.etsi.org/deliver/etsi_ts/124000_124099/124022/08.00.00_60/ |
| TTC | TS-3GA-24.022(Rel8)v8.0.0 | 8.0.0 | Approved | Feb 09 | http://www.ttc.or.jp/j/document_list/free/3gpps2009/TS/TS-3GA-24.022(Rel8)v8.0.0.pdf |
| Release 9 | | | | | |
| ATIS | ATIS.3GPP.24.022V900-2010 | 9.0.0 | Approved | Jul 10 | https://www.atis.org/docstore/default.aspx |
| CCSA | CCSA-TSD-TDD-24.022 | 9.0.0 | Published | Mar 10 | http://www.ccsa.org.cn/english/tc/files.php?docpath=/ITU-R/M.1457/M.1457-12/TDD |
| ETSI | ETSI TS 124 022 | 9.0.0 | Published | Feb 10 | http://www.etsi.org/deliver/etsi_ts/124000_124099/124022/09.00.00_60/ |
| TTC | TS-3GA-24.022(Rel9)v9.0.0 | 9.0.0 | Approved | Jul 10 | http://www.ttc.or.jp/j/document_list/free/3gpps2010/TS/TS-3GA-24.022(Rel9)v9.0.0.pdf |
| Release 10 | | | | | |

| | | | | | |
|-------------------|-----------------------------|--------|-----------|--------|---|
| ATIS | ATIS.3GPP.24.022V1001-2012 | 10.0.1 | Approved | Jul 12 | https://www.atis.org/docstore/default.aspx |
| CCSA | CCSA-TSD-TDD-24.022 | 10.0.1 | Published | Jun 12 | http://www.ccsa.org.cn/english/tc/files.php?docpath=/ITU-R/M.1457/M.1457-12/TDD |
| ETSI | ETSI TS 124 022 | 10.0.1 | Published | Apr 11 | http://www.etsi.org/deliver/etsi_ts/124000_124099/124022/10.00.01_60/ |
| TTC | TS-3GA-24.022(Rel10)v10.0.1 | 10.0.1 | Approved | Jun 11 | http://www.ttc.or.jp/j/document_list/free/3gpps2011/TS/TS-3GA-24.022(Rel10)v10.0.1.pdf |
| Release 11 | | | | | |
| ATIS | ATIS.3GPP.24.022V1100-2014 | 11.0.0 | Approved | May 14 | https://www.atis.org/docstore/default.aspx |
| CCSA | CCSA-TSD-TDD-24.022 | 11.0.0 | Published | Jun 14 | http://www.ccsa.org.cn/english/tc/files.php?docpath=/ITU-R/M.1457/M.1457-12/TDD |
| ETSI | ETSI TS 124 022 | 11.0.0 | Published | Oct 12 | http://www.etsi.org/deliver/etsi_ts/124000_124099/124022/11.00.00_60/ |
| TTC | TS-3GA-24.022(Rel11)v11.0.0 | 11.0.0 | Approved | Jun 13 | http://www.ttc.or.jp/j/document_list/free/3gpps2013/TS/TS-3GA-24.022(Rel11)v11.0.0.pdf |

5.3.2.12.52 TS 24.080

Mobile radio interface layer 3 supplementary services specification; Formats and coding

This specification describes the coding of information necessary for support of supplementary service operation on the mobile radio interface L3. Details are specified in other TS.

| SDO (2) | Document No. | Version | Status | Issued date | Location (1) |
|-------------------|---------------------------|---------|-----------|-------------|---|
| Release 99 | | | | | |
| ATIS | T1.3GPP.24.080V371-2004 | 3.7.1 | Approved | May 04 | https://www.atis.org/docstore/default.aspx |
| CCSA | CCSA-TSD-TDD-24.080 | 3.7.1 | Published | Oct 03 | http://www.ccsa.org.cn/english/tc/files.php?docpath=/ITU-R/M.1457/M.1457-12/TDD |
| CCSA | CCSA-TSD-TDD-24.080 | 9.2.0 | Published | Jun 12 | http://www.ccsa.org.cn/english/tc/files.php?docpath=/ITU-R/M.1457/M.1457-12/TDD |
| ETSI | ETSI TS 124 080 | 3.7.1 | Published | Oct 03 | http://www.etsi.org/deliver/etsi_ts/124000_124099/124080/03.07.01_60/ |
| TTC | TS-3GA-24.080(R99)v3.7.0 | 3.7.0 | Approved | Aug 02 | http://www.ttc.or.jp/j/document_list/free/TS/TS-3GA-24.080(R99)v3.7.0.pdf |
| Release 4 | | | | | |
| ATIS | ATIS.3GPP.24.080V440-2005 | 4.4.0 | Approved | Apr 05 | https://www.atis.org/docstore/default.aspx |
| CCSA | CCSA-TSD-TDD-24.080 | 4.4.0 | Published | Jan 05 | http://www.ccsa.org.cn/english/tc/files.php?docpath=/ITU-R/M.1457/M.1457-12/TDD |
| ETSI | ETSI TS 124 080 | 4.4.0 | Published | Jan 05 | http://www.etsi.org/deliver/etsi_ts/124000_124099/124080/04.04.00_60/ |
| TTC | TS-3GA-24.080(Rel4)v4.4.0 | 4.4.0 | Approved | Mar 05 | http://www.ttc.or.jp/j/document_list/free/TS/TS-3GA-24.080(Rel4)v4.4.0.pdf |
| Release 5 | | | | | |
| ATIS | ATIS.3GPP.24.080V550-2005 | 5.5.0 | Approved | Apr 05 | https://www.atis.org/docstore/default.aspx |
| CCSA | CCSA-TSD-TDD-24.080 | 5.5.0 | Published | Jan 05 | http://www.ccsa.org.cn/english/tc/files.php?docpath=/ITU-R/M.1457/M.1457-12/TDD |
| ETSI | ETSI TS 124 080 | 5.5.0 | Published | Jan 05 | http://www.etsi.org/deliver/etsi_ts/124000_124099/124080/05.05.00_60/ |
| TTC | TS-3GA-24.080(Rel5)v5.5.0 | 5.5.0 | Approved | Mar 05 | http://www.ttc.or.jp/j/document_list/free/TS/TS-3GA-24.080(Rel5)v5.5.0.pdf |
| Release 6 | | | | | |
| ATIS | ATIS.3GPP.24.080V630-2006 | 6.3.0 | Approved | Apr 06 | https://www.atis.org/docstore/default.aspx |
| CCSA | CCSA-TSD-TDD-24.080 | 6.3.0 | Published | Apr 05 | http://www.ccsa.org.cn/english/tc/files.php?docpath=/ITU-R/M.1457/M.1457-12/TDD |
| ETSI | ETSI TS 124 080 | 6.3.0 | Published | Apr 05 | http://www.etsi.org/deliver/etsi_ts/124000_124099/124080/06.03.00_60/ |
| TTC | TS-3GA-24.080(Rel6)v6.3.0 | 6.3.0 | Approved | May 05 | http://www.ttc.or.jp/j/document_list/free/TS/TS-3GA-24.080(Rel6)v6.3.0.pdf |
| Release 7 | | | | | |
| ATIS | ATIS.3GPP.24.080V740-2007 | 7.4.0 | Approved | Oct 07 | https://www.atis.org/docstore/default.aspx |
| CCSA | CCSA-TSD-TDD-24.080 | 7.4.0 | Published | Oct 07 | http://www.ccsa.org.cn/english/tc/files.php?docpath=/ITU-R/M.1457/M.1457-12/TDD |
| ETSI | ETSI TS 124 080 | 7.4.0 | Published | Oct 07 | http://www.etsi.org/deliver/etsi_ts/124000_124099/124080/07.04.00_60/ |
| TTC | TS-3GA-24.080(Rel7)v7.4.0 | 7.4.0 | Approved | Mar 08 | http://www.ttc.or.jp/j/document_list/free/TS/TS-3GA-24.080(Rel7)v7.4.0.pdf |
| Release 8 | | | | | |

| | | | | | |
|-------------------|-----------------------------|--------|-----------|--------|---|
| ATIS | ATIS.3GPP.24.080V810-2012 | 8.1.0 | Approved | Jul 12 | https://www.atis.org/docstore/default.aspx |
| CCSA | CCSA-TSD-TDD-24.080 | 8.1.0 | Published | Jun 12 | http://www.ccsa.org.cn/english/tc/files.php?docpath=/ITU-R/M.1457/M.1457-12/TDD |
| ETSI | ETSI TS 124 080 | 8.1.0 | Published | Jun 10 | http://www.etsi.org/deliver/etsi_ts/124000_124099/124080/08.01.00_60/ |
| TTC | TS-3GA-24.080(Rel8)v8.1.0 | 8.1.0 | Approved | Oct 10 | http://www.ttc.or.jp/j/document_list/free/3gpps2010/TS/TS-3GA-24.080(Rel8)v8.1.0.pdf |
| Release 9 | | | | | |
| ATIS | ATIS.3GPP.24.080V920-2012 | 9.2.0 | Approved | Jul 12 | https://www.atis.org/docstore/default.aspx |
| ETSI | ETSI TS 124 080 | 9.2.0 | Published | Jun 10 | http://www.etsi.org/deliver/etsi_ts/124000_124099/124080/09.02.00_60/ |
| TTC | TS-3GA-24.080(Rel9)v9.2.0 | 9.2.0 | Approved | Oct 10 | http://www.ttc.or.jp/j/document_list/free/3gpps2010/TS/TS-3GA-24.080(Rel9)v9.2.0.pdf |
| Release 10 | | | | | |
| ATIS | ATIS.3GPP.24.080V1000-2012 | 10.0.0 | Approved | Jul 12 | https://www.atis.org/docstore/default.aspx |
| CCSA | CCSA-TSD-TDD-24.080 | 10.0.0 | Published | Jun 12 | http://www.ccsa.org.cn/english/tc/files.php?docpath=/ITU-R/M.1457/M.1457-12/TDD |
| ETSI | ETSI TS 124 080 | 10.0.0 | Published | May 11 | http://www.etsi.org/deliver/etsi_ts/124000_124099/124080/10.00.00_60/ |
| TTC | TS-3GA-24.080(Rel10)v10.0.0 | 10.0.0 | Approved | Jun 11 | http://www.ttc.or.jp/j/document_list/free/3gpps2011/TS/TS-3GA-24.080(Rel10)v10.0.0.pdf |
| Release 11 | | | | | |
| ATIS | ATIS.3GPP.24.080V1100-2014 | 11.0.0 | Approved | May 14 | https://www.atis.org/docstore/default.aspx |
| CCSA | CCSA-TSD-TDD-24.080 | 11.0.0 | Published | Jun 14 | http://www.ccsa.org.cn/english/tc/files.php?docpath=/ITU-R/M.1457/M.1457-12/TDD |
| ETSI | ETSI TS 124 080 | 11.0.0 | Published | Oct 12 | http://www.etsi.org/deliver/etsi_ts/124000_124099/124080/11.00.00_60/ |
| TTC | TS-3GA-24.080(Rel11)v11.0.0 | 11.0.0 | Approved | Jun 13 | http://www.ttc.or.jp/j/document_list/free/3gpps2013/TS/TS-3GA-24.080(Rel11)v11.0.0.pdf |

5.3.2.12.53 TS 24.081

Line Identification supplementary services; Stage 3

This document specifies the procedures used at the radio interface for normal operation, registration, erasure, activation, deactivation, invocation and interrogation of line identification supplementary services. Provision and withdrawal of supplementary services is an administrative matter between the mobile subscriber and the service provider and cause no signalling on the radio interface.

In 3GPP TS 24.010 the general aspects of the specification of supplementary services at the layer 3 radio interface are given.

3GPP TS 24.080 specifies the formats and coding for the supplementary services.

Definitions and descriptions of supplementary services are given in 3GPP TS 22.004 and 3GPP TS 22.08x and 3GPP TS 22.09x series. 3GPP TS 22.081 is related specially to line identification supplementary services:

- Calling line identification presentation (CLIP);
- Calling line identification restriction (CLIR);
- Connected line identification presentation (COLP);
- Connected line identification restriction (COLR).

| SDO (2) | Document No. | Version | Status | Issued date | Location (1) |
|---------|--------------|---------|--------|-------------|--------------|
|---------|--------------|---------|--------|-------------|--------------|

Release 99

| | | | | | |
|------|---------------------|-------|-----------|--------|---|
| CCSA | CCSA-TSD-TDD-24.081 | 3.1.0 | Published | Jun 12 | http://www.ccsa.org.cn/english/tc/files.php?docpath=/ITU-R/M.1457/M.1457-12/TDD |
| ETSI | ETSI TS 124 081 | 3.1.0 | Published | Aug 00 | http://www.etsi.org/deliver/etsi_ts/124000_124099/124081/03.01.00_60/ |
| TTC | JP-3GA-24.081(R99) | 3.1.0 | Approved | Nov 00 | http://www.ttc.or.jp/j/document_list/pdf/j/STD/JP-3GA-24.081(R99)v2.pdf |

Release 4

| | | | | | |
|------|---------------------------|-------|-----------|--------|---|
| CCSA | CCSA-TSD-TDD-24.081 | 4.0.1 | Published | Jun 12 | http://www.ccsa.org.cn/english/tc/files.php?docpath=/ITU-R/M.1457/M.1457-12/TDD |
| ETSI | ETSI TS 124 081 | 4.0.1 | Published | Jul 02 | http://www.etsi.org/deliver/etsi_ts/124000_124099/124081/04.00.01_60/ |
| TTC | TS-3GA-24.081(Rel4)v4.0.0 | 4.0.0 | Approved | May 01 | http://www.ttc.or.jp/j/document_list/free/TS/TS-3GA-24.081(Rel4)v4.0.0.pdf |

Release 5

| | | | | | |
|------|---------------------------|-------|-----------|--------|---|
| CCSA | CCSA-TSD-TDD-24.081 | 5.0.0 | Published | Jun 12 | http://www.ccsa.org.cn/english/tc/files.php?docpath=/ITU-R/M.1457/M.1457-12/TDD |
| ETSI | ETSI TS 124 081 | 5.0.0 | Published | Jul 02 | http://www.etsi.org/deliver/etsi_ts/124000_124099/124081/05.00.00_60/ |
| TTC | TS-3GA-24.081(Rel5)v5.0.0 | 5.0.0 | Approved | Aug 02 | http://www.ttc.or.jp/j/document_list/free/TS/TS-3GA-24.081(Rel5)v5.0.0.pdf |

Release 6

| | | | | | |
|------|---------------------------|-------|-----------|--------|---|
| CCSA | CCSA-TSD-TDD-24.081 | 6.0.0 | Published | Jun 12 | http://www.ccsa.org.cn/english/tc/files.php?docpath=/ITU-R/M.1457/M.1457-12/TDD |
| ETSI | ETSI TS 124 081 | 6.0.0 | Published | Jan 05 | http://www.etsi.org/deliver/etsi_ts/124000_124099/124081/06.00.00_60/ |
| TTC | TS-3GA-24.081(Rel6)v6.0.0 | 6.0.0 | Approved | Mar 05 | http://www.ttc.or.jp/j/document_list/free/TS/TS-3GA-24.081(Rel6)v6.0.0.pdf |

Release 7

| | | | | | |
|------|---------------------------|-------|-----------|--------|---|
| CCSA | CCSA-TSD-TDD-24.081 | 7.0.0 | Published | Jun 12 | http://www.ccsa.org.cn/english/tc/files.php?docpath=/ITU-R/M.1457/M.1457-12/TDD |
| ETSI | ETSI TS 124 081 | 7.0.0 | Published | Jul 07 | http://www.etsi.org/deliver/etsi_ts/124000_124099/124081/07.00.00_60/ |
| TTC | TS-3GA-24.081(Rel7)v7.0.0 | 7.0.0 | Approved | Mar 08 | http://www.ttc.or.jp/j/document_list/free/TS/TS-3GA-24.081(Rel7)v7.0.0.pdf |

Release 8

| | | | | | |
|------|---------------------------|-------|-----------|--------|---|
| CCSA | CCSA-TSD-TDD-24.081 | 8.0.0 | Published | Jun 12 | http://www.ccsa.org.cn/english/tc/files.php?docpath=/ITU-R/M.1457/M.1457-12/TDD |
| ETSI | ETSI TS 124 081 | 8.0.0 | Published | Jan 09 | http://www.etsi.org/deliver/etsi_ts/124000_124099/124081/08.00.00_60/ |
| TTC | TS-3GA-24.081(Rel8)v8.0.0 | 8.0.0 | Approved | Feb 09 | http://www.ttc.or.jp/j/document_list/free/3gpps2009/TS/TS-3GA-24.081(Rel8)v8.0.0.pdf |

Release 9

| | | | | | |
|------|---------------------------|-------|-----------|--------|---|
| ATIS | ATIS.3GPP.24.081V900-2010 | 9.0.0 | Approved | Jul 10 | https://www.atis.org/docstore/default.aspx |
| CCSA | CCSA-TSD-TDD-24.081 | 9.0.0 | Published | Jun 12 | http://www.ccsa.org.cn/english/tc/files.php?docpath=/ITU-R/M.1457/M.1457-12/TDD |
| ETSI | ETSI TS 124 081 | 9.0.0 | Published | Jan 10 | http://www.etsi.org/deliver/etsi_ts/124000_124099/124081/09.00.00_60/ |
| TTC | TS-3GA-24.081(Rel9)v9.0.0 | 9.0.0 | Approved | Jul 10 | http://www.ttc.or.jp/j/document_list/free/3gpps2010/TS/TS-3GA-24.081(Rel9)v9.0.0.pdf |

Release 10

| | | | | | |
|------|-----------------------------|--------|-----------|--------|---|
| ATIS | ATIS.3GPP.24.081V1000-2012 | 10.0.0 | Approved | Jul 12 | https://www.atis.org/docstore/default.aspx |
| CCSA | CCSA-TSD-TDD-24.081 | 10.0.0 | Published | Jun 12 | http://www.ccsa.org.cn/english/tc/files.php?docpath=/ITU-R/M.1457/M.1457-12/TDD |
| ETSI | ETSI TS 124 081 | 10.0.0 | Published | May 11 | http://www.etsi.org/deliver/etsi_ts/124000_124099/124081/10.00.00_60/ |
| TTC | TS-3GA-24.081(Rel10)v10.0.0 | 10.0.0 | Approved | Jun 11 | http://www.ttc.or.jp/j/document_list/free/3gpps2011/TS/TS-3GA-24.081(Rel10)v10.0.0.pdf |

Release 11

| | | | | | |
|------|-----------------------------|--------|-----------|--------|---|
| ATIS | ATIS.3GPP.24.081V1100-2014 | 11.0.0 | Approved | May 14 | https://www.atis.org/docstore/default.aspx |
| CCSA | CCSA-TSD-TDD-24.081 | 11.0.0 | Published | Jun 14 | http://www.ccsa.org.cn/english/tc/files.php?docpath=/ITU-R/M.1457/M.1457-12/TDD |
| ETSI | ETSI TS 124 081 | 11.0.0 | Published | Oct 12 | http://www.etsi.org/deliver/etsi_ts/124000_124099/124081/11.00.00_60/ |
| TTC | TS-3GA-24.081(Rel11)v11.0.0 | 11.0.0 | Approved | Jun 13 | http://www.ttc.or.jp/j/document_list/free/3gpps2013/TS/TS-3GA-24.081(Rel11)v11.0.0.pdf |

5.3.2.12.54 TS 24.082**Call Forwarding (CF) supplementary services; Stage 3**

This document specifies the procedures used at the radio interface (reference point Um as defined in 3GPP TS 24.002) for normal operation, registration, erasure, activation, deactivation, interrogation, and network invocation of call offering supplementary services.

In 3GPP TS 24.010, the general aspects of the specification of supplementary services at the layer 3 radio interface are given.

3GPP TS 24.080 specifies the formats and coding for the supplementary services.

Definitions and descriptions of supplementary services are given in 3GPP TS 22.004 and 3GPP TS 22.08x and 3GPP TS 22.09x series. 3GPP TS 22.082 is related specially to call offering supplementary services.

Technical realization of supplementary services is described in 3GPP TS 23.011 and 3GPP TS 23.08x and 3GPP TS 23.09x series. 3GPP TS 23.082 is related specially to call offering supplementary services.

The procedures for Call Control, Mobility Management and Radio Resource management at the layer 3 radio interface are defined in 3GPP TS 24.007 and 3GPP TS 24.008.

The following supplementary services belong to the call offering supplementary services and are described in this document:

- Call forwarding unconditional (CFU);
- Call forwarding on mobile subscriber busy (CFB);
- Call forwarding on no reply (CFNRy);
- Call forwarding on mobile subscriber not reachable (CFNRc).

| SDO (2) | Document No. | Version | Status | Issued date | Location (1) |
|-------------------|---------------------------|---------|-----------|-------------|---|
| Release 99 | | | | | |
| CCSA | CCSA-TSD-TDD-24.082 | 3.0.0 | Published | Jun 12 | http://www.ccsa.org.cn/english/tc/files.php?docpath=/ITU-R/M.1457/M.1457-12/TDD |
| ETSI | ETSI TS 124 082 | 3.0.0 | Published | Feb 00 | http://www.etsi.org/deliver/etsi_ts/124000_124099/124082/03.00.00_60/ |
| TTC | JP-3GA-24.082(R99) | 3.0.0 | Approved | Mar 00 | http://www.ttc.or.jp/j/document_list/pdf/j/STD/JP-3GA-24.082(R99)v1.pdf |
| Release 4 | | | | | |
| CCSA | CCSA-TSD-TDD-24.082 | 4.0.1 | Published | Jun 12 | http://www.ccsa.org.cn/english/tc/files.php?docpath=/ITU-R/M.1457/M.1457-12/TDD |
| ETSI | ETSI TS 124 082 | 4.0.1 | Published | Jul 02 | http://www.etsi.org/deliver/etsi_ts/124000_124099/124082/04.00.01_60/ |
| TTC | TS-3GA-24.082(Rel4)v4.0.0 | 4.0.0 | Approved | May 01 | http://www.ttc.or.jp/j/document_list/free/TS/TS-3GA-24.082(Rel4)v4.0.0.pdf |
| Release 5 | | | | | |
| CCSA | CCSA-TSD-TDD-24.082 | 5.0.0 | Published | Jun 12 | http://www.ccsa.org.cn/english/tc/files.php?docpath=/ITU-R/M.1457/M.1457-12/TDD |
| ETSI | ETSI TS 124 082 | 5.0.0 | Published | Jul 02 | http://www.etsi.org/deliver/etsi_ts/124000_124099/124082/05.00.00_60/ |
| TTC | TS-3GA-24.082(Rel5)v5.0.0 | 5.0.0 | Approved | Aug 02 | http://www.ttc.or.jp/j/document_list/free/TS/TS-3GA-24.082(Rel5)v5.0.0.pdf |

Release 6

| | | | | | |
|------|---------------------------|-------|-----------|--------|---|
| CCSA | CCSA-TSD-TDD-24.082 | 6.0.0 | Published | Jun 12 | http://www.ccsa.org.cn/english/tc/files.php?docpath=/ITU-R/M.1457/M.1457-12/TDD |
| ETSI | ETSI TS 124 082 | 6.0.0 | Published | Jan 05 | http://www.etsi.org/deliver/etsi_ts/124000_124099/124082/06.00.00_60/ |
| TTC | TS-3GA-24.082(Rel6)v6.0.0 | 6.0.0 | Approved | Mar 05 | http://www.ttc.or.jp/j/document_list/free/TS/TS-3GA-24.082(Rel6)v6.0.0.pdf |

Release 7

| | | | | | |
|------|---------------------------|-------|-----------|--------|---|
| CCSA | CCSA-TSD-TDD-24.082 | 7.2.0 | Published | Jun 12 | http://www.ccsa.org.cn/english/tc/files.php?docpath=/ITU-R/M.1457/M.1457-12/TDD |
| ETSI | ETSI TS 124 082 | 7.2.0 | Published | Jun 09 | http://www.etsi.org/deliver/etsi_ts/124000_124099/124082/07.02.00_60/ |
| TTC | TS-3GA-24.082(Rel7)v7.2.0 | 7.2.0 | Approved | Oct 09 | http://www.ttc.or.jp/j/document_list/free/3gpps2009/TS/TS-3GA-24.082(Rel7)v7.2.0.pdf |

Release 8

| | | | | | |
|------|---------------------------|-------|-----------|--------|---|
| CCSA | CCSA-TSD-TDD-24.082 | 8.1.0 | Published | Jun 12 | http://www.ccsa.org.cn/english/tc/files.php?docpath=/ITU-R/M.1457/M.1457-12/TDD |
| ETSI | ETSI TS 124 082 | 8.1.0 | Published | Jun 09 | http://www.etsi.org/deliver/etsi_ts/124000_124099/124082/08.01.00_60/ |
| TTC | TS-3GA-24.082(Rel8)v8.1.0 | 8.1.0 | Approved | Oct 09 | http://www.ttc.or.jp/j/document_list/free/3gpps2009/TS/TS-3GA-24.082(Rel8)v8.1.0.pdf |

Release 9

| | | | | | |
|------|---------------------------|-------|-----------|--------|---|
| ATIS | ATIS.3GPP.24.082V900-2010 | 9.0.0 | Approved | Jul 10 | https://www.atis.org/docstore/default.aspx |
| CCSA | CCSA-TSD-TDD-24.082 | 9.0.0 | Published | Jun 12 | http://www.ccsa.org.cn/english/tc/files.php?docpath=/ITU-R/M.1457/M.1457-12/TDD |
| ETSI | ETSI TS 124 082 | 9.0.0 | Published | Jan 10 | http://www.etsi.org/deliver/etsi_ts/124000_124099/124082/09.00.00_60/ |
| TTC | TS-3GA-24.082(Rel9)v9.0.0 | 9.0.0 | Approved | Jul 10 | http://www.ttc.or.jp/j/document_list/free/3gpps2010/TS/TS-3GA-24.082(Rel9)v9.0.0.pdf |

Release 10

| | | | | | |
|------|-----------------------------|--------|-----------|--------|---|
| ATIS | ATIS.3GPP.24.082V1000-2012 | 10.0.0 | Approved | Jul 12 | https://www.atis.org/docstore/default.aspx |
| CCSA | CCSA-TSD-TDD-24.082 | 10.0.0 | Published | Jun 12 | http://www.ccsa.org.cn/english/tc/files.php?docpath=/ITU-R/M.1457/M.1457-12/TDD |
| ETSI | ETSI TS 124 082 | 10.0.0 | Published | May 11 | http://www.etsi.org/deliver/etsi_ts/124000_124099/124082/10.00.00_60/ |
| TTC | TS-3GA-24.082(Rel10)v10.0.0 | 10.0.0 | Approved | Jun 11 | http://www.ttc.or.jp/j/document_list/free/3gpps2011/TS/TS-3GA-24.082(Rel10)v10.0.0.pdf |

Release 11

| | | | | | |
|------|-----------------------------|--------|-----------|--------|---|
| ATIS | ATIS.3GPP.24.082V1100-2014 | 11.0.0 | Approved | May 14 | https://www.atis.org/docstore/default.aspx |
| CCSA | CCSA-TSD-TDD-24.082 | 11.0.0 | Published | Jun 14 | http://www.ccsa.org.cn/english/tc/files.php?docpath=/ITU-R/M.1457/M.1457-12/TDD |
| ETSI | ETSI TS 124 082 | 11.0.0 | Published | Oct 12 | http://www.etsi.org/deliver/etsi_ts/124000_124099/124082/11.00.00_60/ |
| TTC | TS-3GA-24.082(Rel11)v11.0.0 | 11.0.0 | Approved | Jun 13 | http://www.ttc.or.jp/j/document_list/free/3gpps2013/TS/TS-3GA-24.082(Rel11)v11.0.0.pdf |

5.3.2.12.55 TS 24.083**Call Waiting (CW) and Call Hold (HOLD) supplementary services; Stage 3**

This document specifies the procedures used at the radio interface (reference point Um as defined in 3GPP TS 24.002) for normal operation, registration, erasure, activation, deactivation, invocation and interrogation of call completion supplementary services.

In 3GPP TS 24.010 the general aspects of the specification of supplementary services at the layer 3 radio interface are given.

3GPP TS 24.080 specifies the formats and coding for the supplementary services.

Definitions and descriptions of supplementary services are given in 3GPP TS 22.004 and 3GPP TS 22.08x and 3GPP TS 22.09x series. 3GPP TS 22.083 is related specially to call completion supplementary services.

Technical realization of supplementary services is described in 3GPP TS 23.011 and GSM 03.8x and GSM 03.9x series.

3GPP TS 23.083 is related specially to call completion supplementary services.

The procedures for Call Control, Mobility Management and Radio Resource management at the layer 3 radio interface are defined in 3GPP TS 24.007 and 3GPP TS 24.008.

The following supplementary services belong to the call completion supplementary services and are described in this document:

- Call waiting (CW);
- Call hold (HOLD).

| SDO (2) | Document No. | Version | Status | Issued date | Location (1) |
|-------------------|----------------------------|---------|-----------|-------------|---|
| Release 99 | | | | | |
| CCSA | CCSA-TSD-TDD-24.083 | 3.0.0 | Published | Jun 12 | http://www.ccsa.org.cn/english/tc/files.php?docpath=/ITU-R/M.1457/M.1457-12/TDD |
| ETSI | ETSI TS 124 083 | 3.0.0 | Published | Feb 00 | http://www.etsi.org/deliver/etsi_ts/124000_124099/124083/03.00.00_60/ |
| TTC | JP-3GA-24.083(R99) | 3.0.0 | Approved | Mar 00 | http://www.ttc.or.jp/j/document_list/pdf/j/STD/JP-3GA-24.083(R99)v1.pdf |
| Release 4 | | | | | |
| CCSA | CCSA-TSD-TDD-24.083 | 4.0.1 | Published | Jun 12 | http://www.ccsa.org.cn/english/tc/files.php?docpath=/ITU-R/M.1457/M.1457-12/TDD |
| ETSI | ETSI TS 124 083 | 4.0.1 | Published | Jul 02 | http://www.etsi.org/deliver/etsi_ts/124000_124099/124083/04.00.01_60/ |
| TTC | TS-3GA-24.083(Rel4)v4.0.0 | 4.0.0 | Approved | May 01 | http://www.ttc.or.jp/j/document_list/free/TS/TS-3GA-24.083(Rel4)v4.0.0.pdf |
| Release 5 | | | | | |
| CCSA | CCSA-TSD-TDD-24.083 | 5.0.0 | Published | Jun 12 | http://www.ccsa.org.cn/english/tc/files.php?docpath=/ITU-R/M.1457/M.1457-12/TDD |
| ETSI | ETSI TS 124 083 | 5.0.0 | Published | Jul 02 | http://www.etsi.org/deliver/etsi_ts/124000_124099/124083/05.00.00_60/ |
| TTC | TS-3GA-24.083(Rel5)v5.0.0 | 5.0.0 | Approved | Aug 02 | http://www.ttc.or.jp/j/document_list/free/TS/TS-3GA-24.083(Rel5)v5.0.0.pdf |
| Release 6 | | | | | |
| CCSA | CCSA-TSD-TDD-24.083 | 6.0.0 | Published | Jun 12 | http://www.ccsa.org.cn/english/tc/files.php?docpath=/ITU-R/M.1457/M.1457-12/TDD |
| ETSI | ETSI TS 124 083 | 6.0.0 | Published | Jan 05 | http://www.etsi.org/deliver/etsi_ts/124000_124099/124083/06.00.00_60/ |
| TTC | TS-3GA-24.083(Rel6)v6.0.0 | 6.0.0 | Approved | Mar 05 | http://www.ttc.or.jp/j/document_list/free/TS/TS-3GA-24.083(Rel6)v6.0.0.pdf |
| Release 7 | | | | | |
| CCSA | CCSA-TSD-TDD-24.083 | 7.0.0 | Published | Jun 12 | http://www.ccsa.org.cn/english/tc/files.php?docpath=/ITU-R/M.1457/M.1457-12/TDD |
| ETSI | ETSI TS 124 083 | 7.0.0 | Published | Jul 07 | http://www.etsi.org/deliver/etsi_ts/124000_124099/124083/07.00.00_60/ |
| TTC | TS-3GA-24.083(Rel7)v7.0.0 | 7.0.0 | Approved | Mar 08 | http://www.ttc.or.jp/j/document_list/free/TS/TS-3GA-24.083(Rel7)v7.0.0.pdf |
| Release 8 | | | | | |
| CCSA | CCSA-TSD-TDD-24.083 | 8.0.0 | Published | Jun 12 | http://www.ccsa.org.cn/english/tc/files.php?docpath=/ITU-R/M.1457/M.1457-12/TDD |
| ETSI | ETSI TS 124 083 | 8.0.0 | Published | Jan 09 | http://www.etsi.org/deliver/etsi_ts/124000_124099/124083/08.00.00_60/ |
| TTC | TS-3GA-24.083(Rel8)v8.0.0 | 8.0.0 | Approved | Feb 09 | http://www.ttc.or.jp/j/document_list/free/3gpps2009/TS/TS-3GA-24.083(Rel8)v8.0.0.pdf |
| Release 9 | | | | | |
| ATIS | ATIS.3GPP.24.083V900-2010 | 9.0.0 | Approved | Jul 10 | https://www.atis.org/docstore/default.aspx |
| CCSA | CCSA-TSD-TDD-24.083 | 9.0.0 | Published | Jun 12 | http://www.ccsa.org.cn/english/tc/files.php?docpath=/ITU-R/M.1457/M.1457-12/TDD |
| ETSI | ETSI TS 124 083 | 9.0.0 | Published | Jan 10 | http://www.etsi.org/deliver/etsi_ts/124000_124099/124083/09.00.00_60/ |
| TTC | TS-3GA-24.083(Rel9)v9.0.0 | 9.0.0 | Approved | Jul 10 | http://www.ttc.or.jp/j/document_list/free/3gpps2010/TS/TS-3GA-24.083(Rel9)v9.0.0.pdf |
| Release 10 | | | | | |
| ATIS | ATIS.3GPP.24.083V1000-2012 | 10.0.0 | Approved | Jul 12 | https://www.atis.org/docstore/default.aspx |

| | | | | | |
|------|-----------------------------|--------|-----------|--------|---|
| CCSA | CCSA-TSD-TDD-24.083 | 10.0.0 | Published | Jun 12 | http://www.ccsa.org.cn/english/tc/files.php?docpath=/ITU-R/M.1457/M.1457-12/TDD |
| ETSI | ETSI TS 124 083 | 10.0.0 | Published | May 11 | http://www.etsi.org/deliver/etsi_ts/124000_124099/124083/10.00.00_60/ |
| TTC | TS-3GA-24.083(Rel10)v10.0.0 | 10.0.0 | Approved | Jun 11 | http://www.ttc.or.jp/j/document_list/free/3gpps2011/TS/TS-3GA-24.083(Rel10)v10.0.0.pdf |

Release 11

| | | | | | |
|------|-----------------------------|--------|-----------|--------|---|
| ATIS | ATIS.3GPP.24.083V1100-2014 | 11.0.0 | Approved | May 14 | https://www.atis.org/docstore/default.aspx |
| CCSA | CCSA-TSD-TDD-24.083 | 11.0.0 | Published | Jun 14 | http://www.ccsa.org.cn/english/tc/files.php?docpath=/ITU-R/M.1457/M.1457-12/TDD |
| ETSI | ETSI TS 124 083 | 11.0.0 | Published | Oct 12 | http://www.etsi.org/deliver/etsi_ts/124000_124099/124083/11.00.00_60/ |
| TTC | TS-3GA-24.083(Rel11)v11.0.0 | 11.0.0 | Approved | Jun 13 | http://www.ttc.or.jp/j/document_list/free/3gpps2013/TS/TS-3GA-24.083(Rel11)v11.0.0.pdf |

5.3.2.12.56 TS 24.084

Multi Party (MPTY) supplementary service; Stage 3

This document specifies the procedures used at the radio interface (reference point Um as defined in 3GPP TS 24.002) for normal operation and invocation of MultiParty supplementary services.

In 3GPP TS 24.010 the general aspects of the specification of supplementary services at the layer 3 radio interface are given.

3GPP TS 24.080 specifies the formats and coding for the supplementary services.

Definitions and descriptions of supplementary services are given in 3GPP TS 22.004 and the 3GPP TS 22.08x and 3GPP TS 22.09x series.

3GPP TS 22.084 is related specially to MultiParty supplementary services. Technical realization of supplementary services is described in 3GPP TS 23.011 and the 3GPP TS 23.08x and 3GPP TS 23.09x series.

3GPP TS 23.084 is related specially to MultiParty supplementary services.

The procedures for Call Control, Mobility Management and Radio Resource management at the layer 3 radio interface are defined in 3GPP TS 24.007 and 3GPP TS 24.008.

The following supplementary service belongs to the MultiParty supplementary services and is described in this document:

- MultiParty service (MPTY).

| SDO (2) | Document No. | Version | Status | Issued date | Location (1) |
|-------------------|---------------------------|---------|-----------|-------------|---|
| Release 99 | | | | | |
| CCSA | CCSA-TSD-TDD-24.084 | 3.0.0 | Published | Jun 12 | http://www.ccsa.org.cn/english/tc/files.php?docpath=/ITU-R/M.1457/M.1457-12/TDD |
| ETSI | ETSI TS 124 084 | 3.0.0 | Published | Feb 00 | http://www.etsi.org/deliver/etsi_ts/124000_124099/124084/03.00.00_60/ |
| TTC | JP-3GA-24.084(R99) | 3.0.0 | Approved | Mar 00 | http://www.ttc.or.jp/j/document_list/pdf/j/STD/JP-3GA-24.084(R99)v1.pdf |
| Release 4 | | | | | |
| CCSA | CCSA-TSD-TDD-24.084 | 4.0.1 | Published | Jun 12 | http://www.ccsa.org.cn/english/tc/files.php?docpath=/ITU-R/M.1457/M.1457-12/TDD |
| ETSI | ETSI TS 124 084 | 4.0.1 | Published | Jul 02 | http://www.etsi.org/deliver/etsi_ts/124000_124099/124084/04.00.01_60/ |
| TTC | TS-3GA-24.084(Rel4)v4.0.0 | 4.0.0 | Approved | May 01 | http://www.ttc.or.jp/j/document_list/free/TS/TS-3GA-24.084(Rel4)v4.0.0.pdf |

Release 5

| | | | | | |
|------|---------------------------|-------|-----------|--------|---|
| CCSA | CCSA-TSD-TDD-24.084 | 5.0.0 | Published | Jun 12 | http://www.ccsa.org.cn/english/tc/files.php?docpath=/ITU-R/M.1457/M.1457-12/TDD |
| ETSI | ETSI TS 124 084 | 5.0.0 | Published | Jul 02 | http://www.etsi.org/deliver/etsi_ts/124000_124099/124084/05.00.00_60/ |
| TTC | TS-3GA-24.084(Rel5)v5.0.0 | 5.0.0 | Approved | Aug 02 | http://www.ttc.or.jp/j/document_list/free/TS/TS-3GA-24.084(Rel5)v5.0.0.pdf |

Release 6

| | | | | | |
|------|---------------------------|-------|-----------|--------|---|
| CCSA | CCSA-TSD-TDD-24.084 | 6.0.0 | Published | Jun 12 | http://www.ccsa.org.cn/english/tc/files.php?docpath=/ITU-R/M.1457/M.1457-12/TDD |
| ETSI | ETSI TS 124 084 | 6.0.0 | Published | Jan 05 | http://www.etsi.org/deliver/etsi_ts/124000_124099/124084/06.00.00_60/ |
| TTC | TS-3GA-24.084(Rel6)v6.0.0 | 6.0.0 | Approved | Mar 05 | http://www.ttc.or.jp/j/document_list/free/TS/TS-3GA-24.084(Rel6)v6.0.0.pdf |

Release 7

| | | | | | |
|------|---------------------------|-------|-----------|--------|---|
| CCSA | CCSA-TSD-TDD-24.084 | 7.0.0 | Published | Jun 12 | http://www.ccsa.org.cn/english/tc/files.php?docpath=/ITU-R/M.1457/M.1457-12/TDD |
| ETSI | ETSI TS 124 084 | 7.0.0 | Published | Jul 07 | http://www.etsi.org/deliver/etsi_ts/124000_124099/124084/07.00.00_60/ |
| TTC | TS-3GA-24.084(Rel7)v7.0.0 | 7.0.0 | Approved | Mar 08 | http://www.ttc.or.jp/j/document_list/free/TS/TS-3GA-24.084(Rel7)v7.0.0.pdf |

Release 8

| | | | | | |
|------|---------------------------|-------|-----------|--------|---|
| CCSA | CCSA-TSD-TDD-24.084 | 8.0.0 | Published | Jun 12 | http://www.ccsa.org.cn/english/tc/files.php?docpath=/ITU-R/M.1457/M.1457-12/TDD |
| ETSI | ETSI TS 124 084 | 8.0.0 | Published | Jan 09 | http://www.etsi.org/deliver/etsi_ts/124000_124099/124084/08.00.00_60/ |
| TTC | TS-3GA-24.084(Rel8)v8.0.0 | 8.0.0 | Approved | Feb 09 | http://www.ttc.or.jp/j/document_list/free/3gpps2009/TS/TS-3GA-24.084(Rel8)v8.0.0.pdf |

Release 9

| | | | | | |
|------|---------------------------|-------|-----------|--------|---|
| ATIS | ATIS.3GPP.24.084V900-2010 | 9.0.0 | Approved | Jul 10 | https://www.atis.org/docstore/default.aspx |
| CCSA | CCSA-TSD-TDD-24.084 | 9.0.0 | Published | Jun 12 | http://www.ccsa.org.cn/english/tc/files.php?docpath=/ITU-R/M.1457/M.1457-12/TDD |
| ETSI | ETSI TS 124 084 | 9.0.0 | Published | Feb 10 | http://www.etsi.org/deliver/etsi_ts/124000_124099/124084/09.00.00_60/ |
| TTC | TS-3GA-24.084(Rel9)v9.0.0 | 9.0.0 | Approved | Jul 10 | http://www.ttc.or.jp/j/document_list/free/3gpps2010/TS/TS-3GA-24.084(Rel9)v9.0.0.pdf |

Release 10

| | | | | | |
|------|-----------------------------|--------|-----------|--------|---|
| ATIS | ATIS.3GPP.24.084V1000-2012 | 10.0.0 | Approved | Jul 12 | https://www.atis.org/docstore/default.aspx |
| CCSA | CCSA-TSD-TDD-24.084 | 10.0.0 | Published | Jun 12 | http://www.ccsa.org.cn/english/tc/files.php?docpath=/ITU-R/M.1457/M.1457-12/TDD |
| ETSI | ETSI TS 124 084 | 10.0.0 | Published | May 11 | http://www.etsi.org/deliver/etsi_ts/124000_124099/124084/10.00.00_60/ |
| TTC | TS-3GA-24.084(Rel10)v10.0.0 | 10.0.0 | Approved | Jun 11 | http://www.ttc.or.jp/j/document_list/free/3gpps2011/TS/TS-3GA-24.084(Rel10)v10.0.0.pdf |

Release 11

| | | | | | |
|------|-----------------------------|--------|-----------|--------|---|
| ATIS | ATIS.3GPP.24.084V1100-2014 | 11.0.0 | Approved | May 14 | https://www.atis.org/docstore/default.aspx |
| CCSA | CCSA-TSD-TDD-24.084 | 11.0.0 | Published | Jun 14 | http://www.ccsa.org.cn/english/tc/files.php?docpath=/ITU-R/M.1457/M.1457-12/TDD |
| ETSI | ETSI TS 124 084 | 11.0.0 | Published | Oct 12 | http://www.etsi.org/deliver/etsi_ts/124000_124099/124084/11.00.00_60/ |
| TTC | TS-3GA-24.084(Rel11)v11.0.0 | 11.0.0 | Approved | Jun 13 | http://www.ttc.or.jp/j/document_list/free/3gpps2013/TS/TS-3GA-24.084(Rel11)v11.0.0.pdf |

5.3.2.12.57 TS 24.085

Closed User Group (CUG) supplementary service; Stage 3

This document specifies the procedures used at the radio interface (reference point Um as defined in 3GPP TS 24.002) for normal operation, registration, erasure, activation, deactivation, invocation and interrogation of community of interest supplementary services.

In 3GPP TS 24.010, the general aspects of the specification of supplementary services at the layer 3 radio interface are given.

3GPP TS 24.080 specifies the formats coding for the supplementary services.

Definitions and descriptions of supplementary services are given in 3GPP TS 22.004 and 3GPP TS 22.08x and 3GPP TS 22.09x-series. 3GPP TS 22.085 is related to the community of interest supplementary services.

Technical realization of supplementary services is described in technical specifications 3GPP TS 23.011 and 3GPP TS 23.08x and 3GPP TS 23.09x-series. 3GPP TS 23.085 is related to the community of interest supplementary services.

The procedures for Call Control, Mobility Management and Radio Resource management at the layer 3 radio interface are defined in 3GPP TS 24.007 and 3GPP TS 24.008.

Signalling interworking for supplementary services between 3GPP TS 29.002 and 3GPP TS 24.008 and between 3GPP TS 29.002 and 3GPP TS 24.080 is defined in 3GPP TS 29.011.

The following supplementary services belong to the community of interest supplementary services and are described in this TS:

– Closed User Group (CUG).

| SDO (2) | Document No. | Version | Status | Issued date | Location (1) |
|-------------------|---------------------------|---------|-----------|-------------|---|
| Release 99 | | | | | |
| CCSA | CCSA-TSD-TDD-24.085 | 3.0.0 | Published | Jun 12 | http://www.ccsa.org.cn/english/tc/files.php?docpath=/ITU-R/M.1457/M.1457-12/TDD |
| ETSI | ETSI TS 124 085 | 3.0.0 | Published | Feb 00 | http://www.etsi.org/deliver/etsi_ts/124000_124099/124085/03.00.00_60/ |
| TTC | JP-3GA-24.085(R99) | 3.0.0 | Approved | Mar 00 | http://www.ttc.or.jp/j/document_list/pdf/j/STD/JP-3GA-24.085(R99)v1.pdf |
| Release 4 | | | | | |
| CCSA | CCSA-TSD-TDD-24.085 | 4.0.1 | Published | Jun 12 | http://www.ccsa.org.cn/english/tc/files.php?docpath=/ITU-R/M.1457/M.1457-12/TDD |
| ETSI | ETSI TS 124 085 | 4.0.1 | Published | Jul 02 | http://www.etsi.org/deliver/etsi_ts/124000_124099/124085/04.00.01_60/ |
| TTC | TS-3GA-24.085(Rel4)v4.0.0 | 4.0.0 | Approved | May 01 | http://www.ttc.or.jp/j/document_list/free/TS/TS-3GA-24.085(Rel4)v4.0.0.pdf |
| Release 5 | | | | | |
| CCSA | CCSA-TSD-TDD-24.085 | 5.0.0 | Published | Jun 12 | http://www.ccsa.org.cn/english/tc/files.php?docpath=/ITU-R/M.1457/M.1457-12/TDD |
| ETSI | ETSI TS 124 085 | 5.0.0 | Published | Jul 02 | http://www.etsi.org/deliver/etsi_ts/124000_124099/124085/05.00.00_60/ |
| TTC | TS-3GA-24.085(Rel5)v5.0.0 | 5.0.0 | Approved | Aug 02 | http://www.ttc.or.jp/j/document_list/free/TS/TS-3GA-24.085(Rel5)v5.0.0.pdf |
| Release 6 | | | | | |
| CCSA | CCSA-TSD-TDD-24.085 | 6.0.0 | Published | Jun 12 | http://www.ccsa.org.cn/english/tc/files.php?docpath=/ITU-R/M.1457/M.1457-12/TDD |
| ETSI | ETSI TS 124 085 | 6.0.0 | Published | Jan 05 | http://www.etsi.org/deliver/etsi_ts/124000_124099/124085/06.00.00_60/ |
| TTC | TS-3GA-24.085(Rel6)v6.0.0 | 6.0.0 | Approved | Mar 05 | http://www.ttc.or.jp/j/document_list/free/TS/TS-3GA-24.085(Rel6)v6.0.0.pdf |
| Release 7 | | | | | |
| CCSA | CCSA-TSD-TDD-24.085 | 7.0.0 | Published | Jun 12 | http://www.ccsa.org.cn/english/tc/files.php?docpath=/ITU-R/M.1457/M.1457-12/TDD |
| ETSI | ETSI TS 124 085 | 7.0.0 | Published | Jul 07 | http://www.etsi.org/deliver/etsi_ts/124000_124099/124085/07.00.00_60/ |
| TTC | TS-3GA-24.085(Rel7)v7.0.0 | 7.0.0 | Approved | Mar 08 | http://www.ttc.or.jp/j/document_list/free/TS/TS-3GA-24.085(Rel7)v7.0.0.pdf |
| Release 8 | | | | | |
| CCSA | CCSA-TSD-TDD-24.085 | 8.0.0 | Published | Jun 12 | http://www.ccsa.org.cn/english/tc/files.php?docpath=/ITU-R/M.1457/M.1457-12/TDD |
| ETSI | ETSI TS 124 085 | 8.0.0 | Published | Jan 09 | http://www.etsi.org/deliver/etsi_ts/124000_124099/124085/08.00.00_60/ |
| TTC | TS-3GA-24.085(Rel8)v8.0.0 | 8.0.0 | Approved | Feb 09 | http://www.ttc.or.jp/j/document_list/free/3gpps2009/TS/TS-3GA-24.085(Rel8)v8.0.0.pdf |
| Release 9 | | | | | |
| ATIS | ATIS.3GPP.24.085V900-2010 | 9.0.0 | Approved | Jul 10 | https://www.atis.org/docstore/default.aspx |

| | | | | | |
|-------------------|-----------------------------|--------|-----------|--------|---|
| CCSA | CCSA-TSD-TDD-24.085 | 9.0.0 | Published | Jun 12 | http://www.ccsa.org.cn/english/tc/files.php?docpath=/ITU-R/M.1457/M.1457-12/TDD |
| ETSI | ETSI TS 124 085 | 9.0.0 | Published | Feb 10 | http://www.etsi.org/deliver/etsi_ts/124000_124099/124085/09.00.00_60/ |
| TTC | TS-3GA-24.085(Rel9)v9.0.0 | 9.0.0 | Approved | Jul 10 | http://www.ttc.or.jp/j/document_list/free/3gpps2010/TS/TS-3GA-24.085(Rel9)v9.0.0.pdf |
| Release 10 | | | | | |
| ATIS | ATIS.3GPP.24.085V1000-2012 | 10.0.0 | Approved | Jul 12 | https://www.atis.org/docstore/default.aspx |
| CCSA | CCSA-TSD-TDD-24.085 | 10.0.0 | Published | Jun 12 | http://www.ccsa.org.cn/english/tc/files.php?docpath=/ITU-R/M.1457/M.1457-12/TDD |
| ETSI | ETSI TS 124 085 | 10.0.0 | Published | May 11 | http://www.etsi.org/deliver/etsi_ts/124000_124099/124085/10.00.00_60/ |
| TTC | TS-3GA-24.085(Rel10)v10.0.0 | 10.0.0 | Approved | Jun 11 | http://www.ttc.or.jp/j/document_list/free/3gpps2011/TS/TS-3GA-24.085(Rel10)v10.0.0.pdf |
| Release 11 | | | | | |
| ATIS | ATIS.3GPP.24.085V1100-2014 | 11.0.0 | Approved | May 14 | https://www.atis.org/docstore/default.aspx |
| CCSA | CCSA-TSD-TDD-24.085 | 11.0.0 | Published | Jun 14 | http://www.ccsa.org.cn/english/tc/files.php?docpath=/ITU-R/M.1457/M.1457-12/TDD |
| ETSI | ETSI TS 124 085 | 11.0.0 | Published | Oct 12 | http://www.etsi.org/deliver/etsi_ts/124000_124099/124085/11.00.00_60/ |
| TTC | TS-3GA-24.085(Rel11)v11.0.0 | 11.0.0 | Approved | Jun 13 | http://www.ttc.or.jp/j/document_list/free/3gpps2013/TS/TS-3GA-24.085(Rel11)v11.0.0.pdf |

5.3.2.12.58 TS 24.086

Advice of Charge (AoC) supplementary services; Stage 3

This document specifies the procedures used at the radio interface (reference point Um as defined in 3GPP TS 24.002) for normal operation, registration, erasure, activation, deactivation, invocation and interrogation of charging supplementary services.

In 3GPP TS 24.010 the general aspects of the specification of supplementary services at the layer 3 radio interface are given.

3GPP TS 24.080 specifies the formats and coding for the supplementary services.

Definitions and descriptions of supplementary services are given in 3GPP TS 22.004 and 3GPP TS 22.08x and 3GPP TS 22.09x series. 3GPP TS 22.024 and 02.86 are related to the charging supplementary services.

Technical realization of supplementary services is described in 3GPP TS 23.011 and 3GPP TS 23.08x and 3GPP TS 23.09x series. 3GPP TS 23.086 is related to the charging supplementary services.

The procedures for Call Control, Mobility Management and Radio Resource management at the layer 3 radio interface are defined in 3GPP TS 24.007 and 3GPP TS 24.008.

The following supplementary services belong to the charging supplementary services and are described in this document:

- Advice of Charge (Information) (AoCI);
- Advice of Charge (Charging) (AoCC).

| | | | | | |
|-------------------|-----------------------------|--------|-----------|--------|---|
| CCSA | CCSA-TSD-TDD-24.086 | 3.0.0 | Published | Jun 12 | http://www.ccsa.org.cn/english/tc/files.php?docpath=/ITU-R/M.1457/M.1457-12/TDD |
| ETSI | ETSI TS 124 086 | 3.0.0 | Published | Feb 00 | http://www.etsi.org/deliver/etsi_ts/124000_124099/124086/03.00.00_60/ |
| TTC | JP-3GA-24.086(R99) | 3.0.0 | Approved | Mar 00 | http://www.ttc.or.jp/j/document_list/pdf/j/STD/JP-3GA-24.086(R99)v1.pdf |
| Release 4 | | | | | |
| CCSA | CCSA-TSD-TDD-24.086 | 4.0.1 | Published | Jun 12 | http://www.ccsa.org.cn/english/tc/files.php?docpath=/ITU-R/M.1457/M.1457-12/TDD |
| ETSI | ETSI TS 124 086 | 4.0.1 | Published | Jul 02 | http://www.etsi.org/deliver/etsi_ts/124000_124099/124086/04.00.01_60/ |
| TTC | TS-3GA-24.086(Rel4)v4.0.0 | 4.0.0 | Approved | May 01 | http://www.ttc.or.jp/j/document_list/free/TS/TS-3GA-24.086(Rel4)v4.0.0.pdf |
| Release 5 | | | | | |
| CCSA | CCSA-TSD-TDD-24.086 | 5.0.0 | Published | Jun 12 | http://www.ccsa.org.cn/english/tc/files.php?docpath=/ITU-R/M.1457/M.1457-12/TDD |
| ETSI | ETSI TS 124 086 | 5.0.0 | Published | Jul 02 | http://www.etsi.org/deliver/etsi_ts/124000_124099/124086/05.00.00_60/ |
| TTC | TS-3GA-24.086(Rel5)v5.0.0 | 5.0.0 | Approved | Aug 02 | http://www.ttc.or.jp/j/document_list/free/TS/TS-3GA-24.086(Rel5)v5.0.0.pdf |
| Release 6 | | | | | |
| CCSA | CCSA-TSD-TDD-24.086 | 6.0.0 | Published | Jun 12 | http://www.ccsa.org.cn/english/tc/files.php?docpath=/ITU-R/M.1457/M.1457-12/TDD |
| ETSI | ETSI TS 124 086 | 6.0.0 | Published | Jan 05 | http://www.etsi.org/deliver/etsi_ts/124000_124099/124086/06.00.00_60/ |
| TTC | TS-3GA-24.086(Rel6)v6.0.0 | 6.0.0 | Approved | Mar 05 | http://www.ttc.or.jp/j/document_list/free/TS/TS-3GA-24.086(Rel6)v6.0.0.pdf |
| Release 7 | | | | | |
| CCSA | CCSA-TSD-TDD-24.086 | 7.0.0 | Published | Jun 12 | http://www.ccsa.org.cn/english/tc/files.php?docpath=/ITU-R/M.1457/M.1457-12/TDD |
| ETSI | ETSI TS 124 086 | 7.0.0 | Published | Jul 07 | http://www.etsi.org/deliver/etsi_ts/124000_124099/124086/07.00.00_60/ |
| TTC | TS-3GA-24.086(Rel7)v7.0.0 | 7.0.0 | Approved | Mar 08 | http://www.ttc.or.jp/j/document_list/free/TS/TS-3GA-24.086(Rel7)v7.0.0.pdf |
| Release 8 | | | | | |
| CCSA | CCSA-TSD-TDD-24.086 | 8.0.0 | Published | Jun 12 | http://www.ccsa.org.cn/english/tc/files.php?docpath=/ITU-R/M.1457/M.1457-12/TDD |
| ETSI | ETSI TS 124 086 | 8.0.0 | Published | Jan 09 | http://www.etsi.org/deliver/etsi_ts/124000_124099/124086/08.00.00_60/ |
| TTC | TS-3GA-24.086(Rel8)v8.0.0 | 8.0.0 | Approved | Feb 09 | http://www.ttc.or.jp/j/document_list/free/3gpps2009/TS/TS-3GA-24.086(Rel8)v8.0.0.pdf |
| Release 9 | | | | | |
| ATIS | ATIS.3GPP.24.086V900-2010 | 9.0.0 | Approved | Jul 10 | https://www.atis.org/docstore/default.aspx |
| CCSA | CCSA-TSD-TDD-24.086 | 9.0.0 | Published | Jun 12 | http://www.ccsa.org.cn/english/tc/files.php?docpath=/ITU-R/M.1457/M.1457-12/TDD |
| ETSI | ETSI TS 124 086 | 9.0.0 | Published | Jan 10 | http://www.etsi.org/deliver/etsi_ts/124000_124099/124086/09.00.00_60/ |
| TTC | TS-3GA-24.086(Rel9)v9.0.0 | 9.0.0 | Approved | Jul 10 | http://www.ttc.or.jp/j/document_list/free/3gpps2010/TS/TS-3GA-24.086(Rel9)v9.0.0.pdf |
| Release 10 | | | | | |
| ATIS | ATIS.3GPP.24.086V1000-2012 | 10.0.0 | Approved | Jul 12 | https://www.atis.org/docstore/default.aspx |
| CCSA | CCSA-TSD-TDD-24.086 | 10.0.0 | Published | Jun 12 | http://www.ccsa.org.cn/english/tc/files.php?docpath=/ITU-R/M.1457/M.1457-12/TDD |
| ETSI | ETSI TS 124 086 | 10.0.0 | Published | May 11 | http://www.etsi.org/deliver/etsi_ts/124000_124099/124086/10.00.00_60/ |
| TTC | TS-3GA-24.086(Rel10)v10.0.0 | 10.0.0 | Approved | Jun 11 | http://www.ttc.or.jp/j/document_list/free/3gpps2011/TS/TS-3GA-24.086(Rel10)v10.0.0.pdf |
| Release 11 | | | | | |
| ATIS | ATIS.3GPP.24.086V1100-2014 | 11.0.0 | Approved | May 14 | https://www.atis.org/docstore/default.aspx |
| CCSA | CCSA-TSD-TDD-24.086 | 11.0.0 | Published | Jun 14 | http://www.ccsa.org.cn/english/tc/files.php?docpath=/ITU-R/M.1457/M.1457-12/TDD |
| ETSI | ETSI TS 124 086 | 11.0.0 | Published | Oct 12 | http://www.etsi.org/deliver/etsi_ts/124000_124099/124086/11.00.00_60/ |
| TTC | TS-3GA-24.086(Rel11)v11.0.0 | 11.0.0 | Approved | Jun 13 | http://www.ttc.or.jp/j/document_list/free/3gpps2013/TS/TS-3GA-24.086(Rel11)v11.0.0.pdf |

5.3.2.12.59 TS 24.087

User-to-User Signalling (UUS) Supplementary Service; Stage 3

This document gives the stage 3 description of the three User-to-User signalling supplementary services.

| SDO (2) | Document No. | Version | Status | Issued date | Location (1) |
|-------------------|-----------------------------|---------|-----------|-------------|---|
| Release 99 | | | | | |
| CCSA | CCSA-TSD-TDD-24.087 | 3.0.0 | Published | Jun 12 | http://www.ccsa.org.cn/english/tc/files.php?docpath=/ITU-R/M.1457/M.1457-12/TDD |
| ETSI | ETSI TS 124 087 | 3.0.0 | Published | Feb 00 | http://www.etsi.org/deliver/etsi_ts/124000_124099/124087/03.00.00_60/ |
| TTC | JP-3GA-24.087(R99) | 3.0.0 | Approved | Mar 00 | http://www.ttc.or.jp/j/document_list/pdf/j/STD/JP-3GA-24.087(R99)v1.pdf |
| Release 4 | | | | | |
| CCSA | CCSA-TSD-TDD-24.087 | 4.0.1 | Published | Jun 12 | http://www.ccsa.org.cn/english/tc/files.php?docpath=/ITU-R/M.1457/M.1457-12/TDD |
| ETSI | ETSI TS 124 087 | 4.0.1 | Published | Jul 02 | http://www.etsi.org/deliver/etsi_ts/124000_124099/124087/04.00.01_60/ |
| TTC | TS-3GA-24.087(Rel4)v4.0.0 | 4.0.0 | Approved | May 01 | http://www.ttc.or.jp/j/document_list/free/TS/TS-3GA-24.087(Rel4)v4.0.0.pdf |
| Release 5 | | | | | |
| CCSA | CCSA-TSD-TDD-24.087 | 5.0.0 | Published | Jun 12 | http://www.ccsa.org.cn/english/tc/files.php?docpath=/ITU-R/M.1457/M.1457-12/TDD |
| ETSI | ETSI TS 124 087 | 5.0.0 | Published | Jul 02 | http://www.etsi.org/deliver/etsi_ts/124000_124099/124087/05.00.00_60/ |
| TTC | TS-3GA-24.087(Rel5)v5.0.0 | 5.0.0 | Approved | Aug 02 | http://www.ttc.or.jp/j/document_list/free/TS/TS-3GA-24.087(Rel5)v5.0.0.pdf |
| Release 6 | | | | | |
| CCSA | CCSA-TSD-TDD-24.087 | 6.0.0 | Published | Jun 12 | http://www.ccsa.org.cn/english/tc/files.php?docpath=/ITU-R/M.1457/M.1457-12/TDD |
| ETSI | ETSI TS 124 087 | 6.0.0 | Published | Jan 05 | http://www.etsi.org/deliver/etsi_ts/124000_124099/124087/06.00.00_60/ |
| TTC | TS-3GA-24.087(Rel6)v6.0.0 | 6.0.0 | Approved | Mar 05 | http://www.ttc.or.jp/j/document_list/free/TS/TS-3GA-24.087(Rel6)v6.0.0.pdf |
| Release 7 | | | | | |
| CCSA | CCSA-TSD-TDD-24.087 | 7.0.0 | Published | Jun 12 | http://www.ccsa.org.cn/english/tc/files.php?docpath=/ITU-R/M.1457/M.1457-12/TDD |
| ETSI | ETSI TS 124 087 | 7.0.0 | Published | Jul 07 | http://www.etsi.org/deliver/etsi_ts/124000_124099/124087/07.00.00_60/ |
| TTC | TS-3GA-24.087(Rel7)v7.0.0 | 7.0.0 | Approved | Mar 08 | http://www.ttc.or.jp/j/document_list/free/TS/TS-3GA-24.087(Rel7)v7.0.0.pdf |
| Release 8 | | | | | |
| CCSA | CCSA-TSD-TDD-24.087 | 8.0.0 | Published | Jun 12 | http://www.ccsa.org.cn/english/tc/files.php?docpath=/ITU-R/M.1457/M.1457-12/TDD |
| ETSI | ETSI TS 124 087 | 8.0.0 | Published | Jan 09 | http://www.etsi.org/deliver/etsi_ts/124000_124099/124087/08.00.00_60/ |
| TTC | TS-3GA-24.087(Rel8)v8.0.0 | 8.0.0 | Approved | Feb 09 | http://www.ttc.or.jp/j/document_list/free/3gpps2009/TS/TS-3GA-24.087(Rel8)v8.0.0.pdf |
| Release 9 | | | | | |
| ATIS | ATIS.3GPP.24.087V900-2010 | 9.0.0 | Approved | Jul 10 | https://www.atis.org/docstore/default.aspx |
| CCSA | CCSA-TSD-TDD-24.087 | 9.0.0 | Published | Jun 12 | http://www.ccsa.org.cn/english/tc/files.php?docpath=/ITU-R/M.1457/M.1457-12/TDD |
| ETSI | ETSI TS 124 087 | 9.0.0 | Published | Jan 10 | http://www.etsi.org/deliver/etsi_ts/124000_124099/124087/09.00.00_60/ |
| TTC | TS-3GA-24.087(Rel9)v9.0.0 | 9.0.0 | Approved | Jul 10 | http://www.ttc.or.jp/j/document_list/free/3gpps2010/TS/TS-3GA-24.087(Rel9)v9.0.0.pdf |
| Release 10 | | | | | |
| ATIS | ATIS.3GPP.24.087V1000-2012 | 10.0.0 | Approved | Jul 12 | https://www.atis.org/docstore/default.aspx |
| CCSA | CCSA-TSD-TDD-24.087 | 10.0.0 | Published | Jun 12 | http://www.ccsa.org.cn/english/tc/files.php?docpath=/ITU-R/M.1457/M.1457-12/TDD |
| ETSI | ETSI TS 124 087 | 10.0.0 | Published | May 11 | http://www.etsi.org/deliver/etsi_ts/124000_124099/124087/10.00.00_60/ |
| TTC | TS-3GA-24.087(Rel10)v10.0.0 | 10.0.0 | Approved | Jun 11 | http://www.ttc.or.jp/j/document_list/free/3gpps2011/TS/TS-3GA-24.087(Rel10)v10.0.0.pdf |
| Release 11 | | | | | |
| ATIS | ATIS.3GPP.24.087V1100-2014 | 11.0.0 | Approved | May 14 | https://www.atis.org/docstore/default.aspx |
| CCSA | CCSA-TSD-TDD-24.087 | 11.0.0 | Published | Jun 14 | http://www.ccsa.org.cn/english/tc/files.php?docpath=/ITU-R/M.1457/M.1457-12/TDD |
| ETSI | ETSI TS 124 087 | 11.0.0 | Published | Oct 12 | http://www.etsi.org/deliver/etsi_ts/124000_124099/124087/11.00.00_60/ |
| TTC | TS-3GA-24.087(Rel11)v11.0.0 | 11.0.0 | Approved | Jun 13 | http://www.ttc.or.jp/j/document_list/free/3gpps2013/TS/TS-3GA-24.087(Rel11)v11.0.0.pdf |

5.3.2.12.60 TS 24.088

Call Barring (CB) supplementary service; Stage 3

This document specifies the procedures used at the radio interface (reference point Um as defined in 3GPP TS 24.002) for normal operation, registration, erasure, activation, deactivation, invocation and interrogation of call barring supplementary services.

In 3GPP TS 24.010 the general aspects of the specification of supplementary services at the layer 3 radio interface are given.

3GPP TS 24.080 specifies the formats and coding for the supplementary services.

Definitions and descriptions of supplementary services are given in 3GPP TS 22.004, 22.08x and 22.09x series.

Technical realization of supplementary services is described in 3GPP TS 23.011, 23.08x and 23.09x series.

The procedures for Call Control, Mobility Management and Radio Resource management at the layer 3 radio interface are defined in 3GPP TS 24.007 and 3GPP TS 24.008.

The following supplementary services belong to the call restriction supplementary services and are described in this specification:

- Barring of outgoing calls;
- Barring of incoming calls.

| SDO (2) | Document No. | Version | Status | Issued date | Location (1) |
|-------------------|---------------------------|---------|-----------|-------------|---|
| Release 99 | | | | | |
| CCSA | CCSA-TSD-TDD-24.088 | 3.0.0 | Published | Jun 12 | http://www.ccsa.org.cn/english/tc/files.php?docpath=/ITU-R/M.1457/M.1457-12/TDD |
| ETSI | ETSI TS 124 088 | 3.0.0 | Published | Feb 00 | http://www.etsi.org/deliver/etsi_ts/124000_124099/124088/03.00.00_60/ |
| TTC | JP-3GA-24.088(R99) | 3.0.0 | Approved | Mar 00 | http://www.ttc.or.jp/j/document_list/pdf/j/STD/JP-3GA-24.088(R99)v1.pdf |
| Release 4 | | | | | |
| CCSA | CCSA-TSD-TDD-24.088 | 4.0.2 | Published | Jun 12 | http://www.ccsa.org.cn/english/tc/files.php?docpath=/ITU-R/M.1457/M.1457-12/TDD |
| ETSI | ETSI TS 124 088 | 4.0.2 | Published | Jul 02 | http://www.etsi.org/deliver/etsi_ts/124000_124099/124088/04.00.02_60/ |
| TTC | TS-3GA-24.088(Rel4)v4.0.0 | 4.0.0 | Approved | May 01 | http://www.ttc.or.jp/j/document_list/free/TS/TS-3GA-24.088(Rel4)v4.0.0.pdf |
| Release 5 | | | | | |
| CCSA | CCSA-TSD-TDD-24.088 | 5.0.0 | Published | Jun 12 | http://www.ccsa.org.cn/english/tc/files.php?docpath=/ITU-R/M.1457/M.1457-12/TDD |
| ETSI | ETSI TS 124 088 | 5.0.0 | Published | Jul 02 | http://www.etsi.org/deliver/etsi_ts/124000_124099/124088/05.00.00_60/ |
| TTC | TS-3GA-24.088(Rel5)v5.0.0 | 5.0.0 | Approved | Aug 02 | http://www.ttc.or.jp/j/document_list/free/TS/TS-3GA-24.088(Rel5)v5.0.0.pdf |
| Release 6 | | | | | |
| CCSA | CCSA-TSD-TDD-24.088 | 6.0.0 | Published | Jun 12 | http://www.ccsa.org.cn/english/tc/files.php?docpath=/ITU-R/M.1457/M.1457-12/TDD |
| ETSI | ETSI TS 124 088 | 6.0.0 | Published | Jan 05 | http://www.etsi.org/deliver/etsi_ts/124000_124099/124088/06.00.00_60/ |
| TTC | TS-3GA-24.088(Rel6)v6.0.0 | 6.0.0 | Approved | Mar 05 | http://www.ttc.or.jp/j/document_list/free/TS/TS-3GA-24.088(Rel6)v6.0.0.pdf |
| Release 7 | | | | | |
| CCSA | CCSA-TSD-TDD-24.088 | 7.0.0 | Published | Jun 12 | http://www.ccsa.org.cn/english/tc/files.php?docpath=/ITU-R/M.1457/M.1457-12/TDD |
| ETSI | ETSI TS 124 088 | 7.0.0 | Published | Jul 07 | http://www.etsi.org/deliver/etsi_ts/124000_124099/124088/07.00.00_60/ |

| | | | | | |
|-------------------|-----------------------------|--------|-----------|--------|---|
| TTC | TS-3GA-24.088(Rel7)v7.0.0 | 7.0.0 | Approved | Mar 08 | http://www.ttc.or.jp/j/document_list/free/TS/TS-3GA-24.088(Rel7)v7.0.0.pdf |
| Release 8 | | | | | |
| CCSA | CCSA-TSD-TDD-24.088 | 8.0.0 | Published | Jun 12 | http://www.ccsa.org.cn/english/tc/files.php?docpath=/ITU-R/M.1457/M.1457-12/TDD |
| ETSI | ETSI TS 124 088 | 8.0.0 | Published | Jan 09 | http://www.etsi.org/deliver/etsi_ts/124000_124099/124088/08.00.00_60/ |
| TTC | TS-3GA-24.088(Rel8)v8.0.0 | 8.0.0 | Approved | Feb 09 | http://www.ttc.or.jp/j/document_list/free/3gpps2009/TS/TS-3GA-24.088(Rel8)v8.0.0.pdf |
| Release 9 | | | | | |
| ATIS | ATIS.3GPP.24.088V900-2010 | 9.0.0 | Approved | Jul 10 | https://www.atis.org/docstore/default.aspx |
| CCSA | CCSA-TSD-TDD-24.088 | 9.0.0 | Published | Jun 12 | http://www.ccsa.org.cn/english/tc/files.php?docpath=/ITU-R/M.1457/M.1457-12/TDD |
| ETSI | ETSI TS 124 088 | 9.0.0 | Published | Jan 10 | http://www.etsi.org/deliver/etsi_ts/124000_124099/124088/09.00.00_60/ |
| TTC | TS-3GA-24.088(Rel9)v9.0.0 | 9.0.0 | Approved | Jul 10 | http://www.ttc.or.jp/j/document_list/free/3gpps2010/TS/TS-3GA-24.088(Rel9)v9.0.0.pdf |
| Release 10 | | | | | |
| ATIS | ATIS.3GPP.24.088V1000-2012 | 10.0.0 | Approved | Jul 12 | https://www.atis.org/docstore/default.aspx |
| CCSA | CCSA-TSD-TDD-24.088 | 10.0.0 | Published | Jun 12 | http://www.ccsa.org.cn/english/tc/files.php?docpath=/ITU-R/M.1457/M.1457-12/TDD |
| ETSI | ETSI TS 124 088 | 10.0.0 | Published | May 11 | http://www.etsi.org/deliver/etsi_ts/124000_124099/124088/10.00.00_60/ |
| TTC | TS-3GA-24.088(Rel10)v10.0.0 | 10.0.0 | Approved | Jun 11 | http://www.ttc.or.jp/j/document_list/free/3gpps2011/TS/TS-3GA-24.088(Rel10)v10.0.0.pdf |
| Release 11 | | | | | |
| ATIS | ATIS.3GPP.24.088V1100-2014 | 11.0.0 | Approved | May 14 | https://www.atis.org/docstore/default.aspx |
| CCSA | CCSA-TSD-TDD-24.088 | 11.0.0 | Published | Jun 14 | http://www.ccsa.org.cn/english/tc/files.php?docpath=/ITU-R/M.1457/M.1457-12/TDD |
| ETSI | ETSI TS 124 088 | 11.0.0 | Published | Nov 12 | http://www.etsi.org/deliver/etsi_ts/124000_124099/124088/11.00.00_60/ |
| TTC | TS-3GA-24.088(Rel11)v11.0.0 | 11.0.0 | Approved | Jun 13 | http://www.ttc.or.jp/j/document_list/free/3gpps2013/TS/TS-3GA-24.088(Rel11)v11.0.0.pdf |

5.3.2.12.61 TS 24.090

Unstructured Supplementary Service Data (USSD); Stage 3

This document gives the stage 3 description of the Unstructured Supplementary Service Data (USSD) operations. The group of unstructured supplementary service data operations is divided into two different classes:

- Network initiated unstructured supplementary service data operations;
- Mobile initiated unstructured supplementary service data operations.

| SDO (2) | Document No. | Version | Status | Issued date | Location (1) |
|-------------------|---------------------------|---------|-----------|-------------|---|
| Release 99 | | | | | |
| CCSA | CCSA-TSD-TDD-24.090 | 3.0.0 | Published | Jun 12 | http://www.ccsa.org.cn/english/tc/files.php?docpath=/ITU-R/M.1457/M.1457-12/TDD |
| ETSI | ETSI TS 124 090 | 3.0.0 | Published | Feb 00 | http://www.etsi.org/deliver/etsi_ts/124000_124099/124090/03.00.00_60/ |
| TTC | JP-3GA-24.090(R99) | 3.0.0 | Approved | Mar 00 | http://www.ttc.or.jp/j/document_list/pdf/j/STD/JP-3GA-24.090(R99)v1.pdf |
| Release 4 | | | | | |
| CCSA | CCSA-TSD-TDD-24.090 | 4.0.1 | Published | Jun 12 | http://www.ccsa.org.cn/english/tc/files.php?docpath=/ITU-R/M.1457/M.1457-12/TDD |
| ETSI | ETSI TS 124 090 | 4.0.1 | Published | Jul 02 | http://www.etsi.org/deliver/etsi_ts/124000_124099/124090/04.00.01_60/ |
| TTC | TS-3GA-24.090(Rel4)v4.0.0 | 4.0.0 | Approved | May 01 | http://www.ttc.or.jp/j/document_list/free/TS/TS-3GA-24.090(Rel4)v4.0.0.pdf |
| Release 5 | | | | | |
| CCSA | CCSA-TSD-TDD-24.090 | 5.0.0 | Published | Jun 12 | http://www.ccsa.org.cn/english/tc/files.php?docpath=/ITU-R/M.1457/M.1457-12/TDD |

| | | | | | |
|-------------------|-----------------------------|--------|-----------|--------|---|
| ETSI | ETSI TS 124 090 | 5.0.0 | Published | Jul 02 | http://www.etsi.org/deliver/etsi_ts/124000_124099/124090/05.00.00_60/ |
| TTC | TS-3GA-24.090(Rel5)v5.0.0 | 5.0.0 | Approved | Aug 02 | http://www.ttc.or.jp/j/document_list/free/TS/TS-3GA-24.090(Rel5)v5.0.0.pdf |
| Release 6 | | | | | |
| CCSA | CCSA-TSD-TDD-24.090 | 6.0.0 | Published | Jun 12 | http://www.ccsa.org.cn/english/tc/files.php?docpath=/ITU-R/M.1457/M.1457-12/TDD |
| ETSI | ETSI TS 124 090 | 6.0.0 | Published | Jan 05 | http://www.etsi.org/deliver/etsi_ts/124000_124099/124090/06.00.00_60/ |
| TTC | TS-3GA-24.090(Rel6)v6.0.0 | 6.0.0 | Approved | Mar 05 | http://www.ttc.or.jp/j/document_list/free/TS/TS-3GA-24.090(Rel6)v6.0.0.pdf |
| Release 7 | | | | | |
| CCSA | CCSA-TSD-TDD-24.090 | 7.0.0 | Published | Jun 12 | http://www.ccsa.org.cn/english/tc/files.php?docpath=/ITU-R/M.1457/M.1457-12/TDD |
| ETSI | ETSI TS 124 090 | 7.0.0 | Published | Jul 07 | http://www.etsi.org/deliver/etsi_ts/124000_124099/124090/07.00.00_60/ |
| TTC | TS-3GA-24.090(Rel7)v7.0.0 | 7.0.0 | Approved | Mar 08 | http://www.ttc.or.jp/j/document_list/free/TS/TS-3GA-24.090(Rel7)v7.0.0.pdf |
| Release 8 | | | | | |
| CCSA | CCSA-TSD-TDD-24.090 | 8.0.0 | Published | Jun 12 | http://www.ccsa.org.cn/english/tc/files.php?docpath=/ITU-R/M.1457/M.1457-12/TDD |
| ETSI | ETSI TS 124 090 | 8.0.0 | Published | Jan 09 | http://www.etsi.org/deliver/etsi_ts/124000_124099/124090/08.00.00_60/ |
| TTC | TS-3GA-24.090(Rel8)v8.0.0 | 8.0.0 | Approved | Feb 09 | http://www.ttc.or.jp/j/document_list/free/3gpps2009/TS/TS-3GA-24.090(Rel8)v8.0.0.pdf |
| Release 9 | | | | | |
| ATIS | ATIS.3GPP.24.090V900-2010 | 9.0.0 | Approved | Jul 10 | https://www.atis.org/docstore/default.aspx |
| CCSA | CCSA-TSD-TDD-24.090 | 9.0.0 | Published | Jun 12 | http://www.ccsa.org.cn/english/tc/files.php?docpath=/ITU-R/M.1457/M.1457-12/TDD |
| ETSI | ETSI TS 124 090 | 9.0.0 | Published | Jan 10 | http://www.etsi.org/deliver/etsi_ts/124000_124099/124090/09.00.00_60/ |
| TTC | TS-3GA-24.090(Rel9)v9.0.0 | 9.0.0 | Approved | Jul 10 | http://www.ttc.or.jp/j/document_list/free/3gpps2010/TS/TS-3GA-24.090(Rel9)v9.0.0.pdf |
| Release 10 | | | | | |
| ATIS | ATIS.3GPP.24.090V1000-2012 | 10.0.0 | Approved | Jul 12 | https://www.atis.org/docstore/default.aspx |
| CCSA | CCSA-TSD-TDD-24.090 | 10.0.0 | Published | Jun 12 | http://www.ccsa.org.cn/english/tc/files.php?docpath=/ITU-R/M.1457/M.1457-12/TDD |
| ETSI | ETSI TS 124 090 | 10.0.0 | Published | May 11 | http://www.etsi.org/deliver/etsi_ts/124000_124099/124090/10.00.00_60/ |
| TTC | TS-3GA-24.090(Rel10)v10.0.0 | 10.0.0 | Approved | Jun 11 | http://www.ttc.or.jp/j/document_list/free/3gpps2011/TS/TS-3GA-24.090(Rel10)v10.0.0.pdf |
| Release 11 | | | | | |
| ATIS | ATIS.3GPP.24.090V1100-2014 | 11.0.0 | Approved | May 14 | https://www.atis.org/docstore/default.aspx |
| CCSA | CCSA-TSD-TDD-24.090 | 11.0.0 | Published | Jun 14 | http://www.ccsa.org.cn/english/tc/files.php?docpath=/ITU-R/M.1457/M.1457-12/TDD |
| ETSI | ETSI TS 124 090 | 11.0.0 | Published | Oct 12 | http://www.etsi.org/deliver/etsi_ts/124000_124099/124090/11.00.00_60/ |
| TTC | TS-3GA-24.090(Rel11)v11.0.0 | 11.0.0 | Approved | Jun 13 | http://www.ttc.or.jp/j/document_list/free/3gpps2013/TS/TS-3GA-24.090(Rel11)v11.0.0.pdf |

5.3.2.12.62 TS 24.091

Explicit Call Transfer (ECT) supplementary service; Stage 3

This document gives the stage 3 description of the call transfer supplementary services. It specifies the procedures used at the radio interface (reference point Um as defined in 3GPP TS 24.002) for normal operation, registration, erasure, activation, deactivation, invocation and interrogation of call transfer supplementary services. In 3GPP TS 24.010 the general aspects of the specification of supplementary services at the layer 3 radio interface are given.

3GPP TS 24.080 specifies the formats and coding for the supplementary services.

Definitions and descriptions of supplementary services are given in 3GPP TS 22.004, 3GPP TS 22.08x and 3GPP TS 22.09x series. 3GPP TS 22.091 is related specifically to call transfer supplementary services.

The technical realization of supplementary services is described in 3GPP TS 23.011, 3GPP TS 23.08x and 3GPP TS 23.09x series. 3GPP TS 23.091 is related specifically to call transfer supplementary services.

The procedures for Call Control, Mobility Management and Radio Resource management at the layer 3 radio interface are defined in 3GPP TS 24.007 and 3GPP TS 24.008.

The following supplementary services belong to the call transfer supplementary services and are described in this document:

- Explicit Call Transfer (ECT).

| SDO (2) | Document No. | Version | Status | Issued date | Location (1) |
|-------------------|----------------------------|---------|-----------|-------------|---|
| Release 99 | | | | | |
| CCSA | CCSA-TSD-TDD-24.091 | 3.0.0 | Published | Jun 12 | http://www.ccsa.org.cn/english/tc/files.php?docpath=/ITU-R/M.1457/M.1457-12/TDD |
| ETSI | ETSI TS 124 091 | 3.0.0 | Published | Feb 00 | http://www.etsi.org/deliver/etsi_ts/124000_124099/124091/03.00.00_60/ |
| TTC | JP-3GA-24.091(R99) | 3.0.0 | Approved | Mar 00 | http://www.ttc.or.jp/j/document_list/pdf/j/STD/JP-3GA-24.091(R99)v1.pdf |
| Release 4 | | | | | |
| CCSA | CCSA-TSD-TDD-24.091 | 4.0.1 | Published | Jun 12 | http://www.ccsa.org.cn/english/tc/files.php?docpath=/ITU-R/M.1457/M.1457-12/TDD |
| ETSI | ETSI TS 124 091 | 4.0.1 | Published | Jul 02 | http://www.etsi.org/deliver/etsi_ts/124000_124099/124091/04.00.01_60/ |
| TTC | TS-3GA-24.091(Rel4)v4.0.0 | 4.0.0 | Approved | May 01 | http://www.ttc.or.jp/j/document_list/free/TS/TS-3GA-24.091(Rel4)v4.0.0.pdf |
| Release 5 | | | | | |
| CCSA | CCSA-TSD-TDD-24.091 | 5.0.0 | Published | Jun 12 | http://www.ccsa.org.cn/english/tc/files.php?docpath=/ITU-R/M.1457/M.1457-12/TDD |
| ETSI | ETSI TS 124 091 | 5.0.0 | Published | Jul 02 | http://www.etsi.org/deliver/etsi_ts/124000_124099/124091/05.00.00_60/ |
| TTC | TS-3GA-24.091(Rel5)v5.0.0 | 5.0.0 | Approved | Aug 02 | http://www.ttc.or.jp/j/document_list/free/TS/TS-3GA-24.091(Rel5)v5.0.0.pdf |
| Release 6 | | | | | |
| CCSA | CCSA-TSD-TDD-24.091 | 6.0.0 | Published | Jun 12 | http://www.ccsa.org.cn/english/tc/files.php?docpath=/ITU-R/M.1457/M.1457-12/TDD |
| ETSI | ETSI TS 124 091 | 6.0.0 | Published | Jan 05 | http://www.etsi.org/deliver/etsi_ts/124000_124099/124091/06.00.00_60/ |
| TTC | TS-3GA-24.091(Rel6)v6.0.0 | 6.0.0 | Approved | Mar 05 | http://www.ttc.or.jp/j/document_list/free/TS/TS-3GA-24.091(Rel6)v6.0.0.pdf |
| Release 7 | | | | | |
| CCSA | CCSA-TSD-TDD-24.091 | 7.0.0 | Published | Jun 12 | http://www.ccsa.org.cn/english/tc/files.php?docpath=/ITU-R/M.1457/M.1457-12/TDD |
| ETSI | ETSI TS 124 091 | 7.0.0 | Published | Jul 07 | http://www.etsi.org/deliver/etsi_ts/124000_124099/124091/07.00.00_60/ |
| TTC | TS-3GA-24.091(Rel7)v7.0.0 | 7.0.0 | Approved | Mar 08 | http://www.ttc.or.jp/j/document_list/free/TS/TS-3GA-24.091(Rel7)v7.0.0.pdf |
| Release 8 | | | | | |
| CCSA | CCSA-TSD-TDD-24.091 | 8.0.0 | Published | Jun 12 | http://www.ccsa.org.cn/english/tc/files.php?docpath=/ITU-R/M.1457/M.1457-12/TDD |
| ETSI | ETSI TS 124 091 | 8.0.0 | Published | Jan 09 | http://www.etsi.org/deliver/etsi_ts/124000_124099/124091/08.00.00_60/ |
| TTC | TS-3GA-24.091(Rel8)v8.0.0 | 8.0.0 | Approved | Feb 09 | http://www.ttc.or.jp/j/document_list/free/3gpps2009/TS/TS-3GA-24.091(Rel8)v8.0.0.pdf |
| Release 9 | | | | | |
| ATIS | ATIS.3GPP.24.091V900-2010 | 9.0.0 | Approved | Jul 10 | https://www.atis.org/docstore/default.aspx |
| CCSA | CCSA-TSD-TDD-24.091 | 9.0.0 | Published | Jun 12 | http://www.ccsa.org.cn/english/tc/files.php?docpath=/ITU-R/M.1457/M.1457-12/TDD |
| ETSI | ETSI TS 124 091 | 9.0.0 | Published | Jan 10 | http://www.etsi.org/deliver/etsi_ts/124000_124099/124091/09.00.00_60/ |
| TTC | TS-3GA-24.091(Rel9)v9.0.0 | 9.0.0 | Approved | Jul 10 | http://www.ttc.or.jp/j/document_list/free/3gpps2010/TS/TS-3GA-24.091(Rel9)v9.0.0.pdf |
| Release 10 | | | | | |
| ATIS | ATIS.3GPP.24.091V1000-2012 | 10.0.0 | Approved | Jul 12 | https://www.atis.org/docstore/default.aspx |

| | | | | | |
|-------------------|-----------------------------|--------|-----------|--------|---|
| CCSA | CCSA-TSD-TDD-24.091 | 10.0.0 | Published | Jun 12 | http://www.ccsa.org.cn/english/tc/files.php?docpath=/ITU-R/M.1457/M.1457-12/TDD |
| ETSI | ETSI TS 124 091 | 10.0.0 | Published | May 11 | http://www.etsi.org/deliver/etsi_ts/124000_124099/124091/10.00.00_60/ |
| TTC | TS-3GA-24.091(Rel10)v10.0.0 | 10.0.0 | Approved | Jun 11 | http://www.ttc.or.jp/j/document_list/free/3gpps2011/TS/TS-3GA-24.091(Rel10)v10.0.0.pdf |
| Release 11 | | | | | |
| ATIS | ATIS.3GPP.24.091V1100-2014 | 11.0.0 | Approved | May 14 | https://www.atis.org/docstore/default.aspx |
| CCSA | CCSA-TSD-TDD-24.091 | 11.0.0 | Published | Jun 14 | http://www.ccsa.org.cn/english/tc/files.php?docpath=/ITU-R/M.1457/M.1457-12/TDD |
| ETSI | ETSI TS 124 091 | 11.0.0 | Published | Oct 12 | http://www.etsi.org/deliver/etsi_ts/124000_124099/124091/11.00.00_60/ |
| TTC | TS-3GA-24.091(Rel11)v11.0.0 | 11.0.0 | Approved | Jun 13 | http://www.ttc.or.jp/j/document_list/free/3gpps2013/TS/TS-3GA-24.091(Rel11)v11.0.0.pdf |

5.3.2.12.63 TS 24.093

Call Completion of Calls to Busy Subscriber (CCBS); Stage 3

This document gives the stage 3 description of the Completion of Calls to Busy Subscriber (CCBS) supplementary service. It specifies the procedures used at the radio interface (reference point Um as defined in 3GPP TS 24.002) for normal operation, activation, deactivation, invocation and interrogation of the completion of calls to busy subscriber supplementary services.

In 3GPP TS 24.010 the general aspects of the specification of supplementary services at the layer 3 radio interface are given.

3GPP TS 24.080 specifies the formats and coding for the supplementary services.

Definitions and descriptions of supplementary services are given in 3GPP TS 22.004, 3GPP TS 22.08x and 3GPP TS 22.09x-series. Technical specification 3GPP TS 22.093 is related specifically to the Completion of Calls to Busy Subscriber supplementary service.

The technical realization of supplementary services is described in technical specifications 3GPP TS 23.011, 3GPP TS 23.08x and 3GPP TS 23.09x-series. 3GPP TS 23.093 is related specifically to Completion of Calls to Busy Subscriber supplementary service.

The procedures for Call Control, Mobility Management and Radio Resource management at the layer 3 radio interface are defined in 3GPP TS 24.007 and 3GPP TS 24.008.

The following supplementary services belong to the call completion supplementary services and are described in this document:

- Completion of Calls to Busy Subscriber (CCBS).

| SDO (2) | Document No. | Version | Status | Issued date | Location (1) |
|-------------------|---------------------------|---------|-----------|-------------|---|
| Release 99 | | | | | |
| CCSA | CCSA-TSD-TDD-24.093 | 3.0.0 | Published | Jun 12 | http://www.ccsa.org.cn/english/tc/files.php?docpath=/ITU-R/M.1457/M.1457-12/TDD |
| ETSI | ETSI TS 124 093 | 3.0.0 | Published | Feb 00 | http://www.etsi.org/deliver/etsi_ts/124000_124099/124093/03.00.00_60/ |
| TTC | JP-3GA-24.093(R99) | 3.0.0 | Approved | Mar 00 | http://www.ttc.or.jp/j/document_list/pdf/j/STD/JP-3GA-24.093(R99)v1.pdf |
| Release 4 | | | | | |
| CCSA | CCSA-TSD-TDD-24.093 | 4.0.1 | Published | Jun 12 | http://www.ccsa.org.cn/english/tc/files.php?docpath=/ITU-R/M.1457/M.1457-12/TDD |
| ETSI | ETSI TS 124 093 | 4.0.1 | Published | Jul 02 | http://www.etsi.org/deliver/etsi_ts/124000_124099/124093/04.00.01_60/ |
| TTC | TS-3GA-24.093(Rel4)v4.0.0 | 4.0.0 | Approved | May 01 | http://www.ttc.or.jp/j/document_list/free/TS/TS-3GA-24.093(Rel4)v4.0.0.pdf |

Release 5

| | | | | | |
|------|---------------------------|-------|-----------|--------|---|
| CCSA | CCSA-TSD-TDD-24.093 | 5.0.0 | Published | Jun 12 | http://www.ccsa.org.cn/english/tc/files.php?docpath=/ITU-R/M.1457/M.1457-12/TDD |
| ETSI | ETSI TS 124 093 | 5.0.0 | Published | Jul 02 | http://www.etsi.org/deliver/etsi_ts/124000_124099/124093/05.00.00_60/ |
| TTC | TS-3GA-24.093(Rel5)v5.0.0 | 5.0.0 | Approved | Aug 02 | http://www.ttc.or.jp/j/document_list/free/TS/TS-3GA-24.093(Rel5)v5.0.0.pdf |

Release 6

| | | | | | |
|------|---------------------------|-------|-----------|--------|---|
| CCSA | CCSA-TSD-TDD-24.093 | 6.0.0 | Published | Jun 12 | http://www.ccsa.org.cn/english/tc/files.php?docpath=/ITU-R/M.1457/M.1457-12/TDD |
| ETSI | ETSI TS 124 093 | 6.0.0 | Published | Jan 05 | http://www.etsi.org/deliver/etsi_ts/124000_124099/124093/06.00.00_60/ |
| TTC | TS-3GA-24.093(Rel6)v6.0.0 | 6.0.0 | Approved | Mar 05 | http://www.ttc.or.jp/j/document_list/free/TS/TS-3GA-24.093(Rel6)v6.0.0.pdf |

Release 7

| | | | | | |
|------|---------------------------|-------|-----------|--------|---|
| CCSA | CCSA-TSD-TDD-24.093 | 7.0.0 | Published | Jun 12 | http://www.ccsa.org.cn/english/tc/files.php?docpath=/ITU-R/M.1457/M.1457-12/TDD |
| ETSI | ETSI TS 124 093 | 7.0.0 | Published | Jul 07 | http://www.etsi.org/deliver/etsi_ts/124000_124099/124093/07.00.00_60/ |
| TTC | TS-3GA-24.093(Rel7)v7.0.0 | 7.0.0 | Approved | Mar 08 | http://www.ttc.or.jp/j/document_list/free/TS/TS-3GA-24.093(Rel7)v7.0.0.pdf |

Release 8

| | | | | | |
|------|---------------------------|-------|-----------|--------|---|
| CCSA | CCSA-TSD-TDD-24.093 | 8.0.0 | Published | Jun 12 | http://www.ccsa.org.cn/english/tc/files.php?docpath=/ITU-R/M.1457/M.1457-12/TDD |
| ETSI | ETSI TS 124 093 | 8.0.0 | Published | Jan 09 | http://www.etsi.org/deliver/etsi_ts/124000_124099/124093/08.00.00_60/ |
| TTC | TS-3GA-24.093(Rel8)v8.0.0 | 8.0.0 | Approved | Feb 09 | http://www.ttc.or.jp/j/document_list/free/3gpps2009/TS/TS-3GA-24.093(Rel8)v8.0.0.pdf |

Release 9

| | | | | | |
|------|---------------------------|-------|-----------|--------|---|
| ATIS | ATIS.3GPP.24.093V900-2010 | 9.0.0 | Approved | Jul 10 | https://www.atis.org/docstore/default.aspx |
| CCSA | CCSA-TSD-TDD-24.093 | 9.0.0 | Published | Jun 12 | http://www.ccsa.org.cn/english/tc/files.php?docpath=/ITU-R/M.1457/M.1457-12/TDD |
| ETSI | ETSI TS 124 093 | 9.0.0 | Published | Jan 10 | http://www.etsi.org/deliver/etsi_ts/124000_124099/124093/09.00.00_60/ |
| TTC | TS-3GA-24.093(Rel9)v9.0.0 | 9.0.0 | Approved | Jul 10 | http://www.ttc.or.jp/j/document_list/free/3gpps2010/TS/TS-3GA-24.093(Rel9)v9.0.0.pdf |

Release 10

| | | | | | |
|------|-----------------------------|--------|-----------|--------|---|
| ATIS | ATIS.3GPP.24.093V1000-2012 | 10.0.0 | Approved | Jul 12 | https://www.atis.org/docstore/default.aspx |
| CCSA | CCSA-TSD-TDD-24.093 | 10.0.0 | Published | Jun 12 | http://www.ccsa.org.cn/english/tc/files.php?docpath=/ITU-R/M.1457/M.1457-12/TDD |
| ETSI | ETSI TS 124 093 | 10.0.0 | Published | May 11 | http://www.etsi.org/deliver/etsi_ts/124000_124099/124093/10.00.00_60/ |
| TTC | TS-3GA-24.093(Rel10)v10.0.0 | 10.0.0 | Approved | Jun 11 | http://www.ttc.or.jp/j/document_list/free/3gpps2011/TS/TS-3GA-24.093(Rel10)v10.0.0.pdf |

Release 11

| | | | | | |
|------|-----------------------------|--------|-----------|--------|---|
| ATIS | ATIS.3GPP.24.093V1100-2014 | 11.0.0 | Approved | May 14 | https://www.atis.org/docstore/default.aspx |
| CCSA | CCSA-TSD-TDD-24.093 | 11.0.0 | Published | Jun 14 | http://www.ccsa.org.cn/english/tc/files.php?docpath=/ITU-R/M.1457/M.1457-12/TDD |
| ETSI | ETSI TS 124 093 | 11.0.0 | Published | Oct 12 | http://www.etsi.org/deliver/etsi_ts/124000_124099/124093/11.00.00_60/ |
| TTC | TS-3GA-24.093(Rel11)v11.0.0 | 11.0.0 | Approved | Jun 13 | http://www.ttc.or.jp/j/document_list/free/3gpps2013/TS/TS-3GA-24.093(Rel11)v11.0.0.pdf |

5.3.2.12.64 TS 24.096

Name Identification supplementary services; Stage 3

This document specifies the procedures used at the radio interface for normal operation, registration, erasure, activation, deactivation, invocation and interrogation of name identification supplementary services. In 3GPP TS 24.010 the general aspects of the specification of supplementary services at the layer 3 radio interface are given. 3GPP TS 24.080 specifies the formats and coding for the supplementary services.

Definitions and descriptions of supplementary services are given in 3GPP TS 22.004 and 3GPP TS 22.08x and 3GPP TS 22.09x series. 3GPP TS 22.096 is related specially to name identification supplementary services.

Technical realization of supplementary services is described in 3GPP TS 23.011 and 3GPP TS 23.08x and 3GPP TS 23.09x series. Technical specification 3GPP TS 23.096 is related specially to name identification supplementary services.

The procedures for Call Control, Mobility Management and Radio Resource management at the layer 3 radio interface are defined in 3GPP TS 24.007 and 3GPP TS 24.008.

The following supplementary services belong to the name identification supplementary services and are described in this TS:

– Calling name presentation (CNAP).

| SDO (2) | Document No. | Version | Status | Issued date | Location (1) |
|-------------------|----------------------------|---------|-----------|-------------|---|
| Release 99 | | | | | |
| CCSA | CCSA-TSD-TDD-24.096 | 3.0.0 | Published | Jun 12 | http://www.ccsa.org.cn/english/tc/files.php?docpath=/ITU-R/M.1457/M.1457-12/TDD |
| ETSI | ETSI TS 124 096 | 3.0.0 | Published | Feb 00 | http://www.etsi.org/deliver/etsi_ts/124000_124099/124096/03.00.00_60/ |
| TTC | JP-3GA-24.096(R99) | 3.0.0 | Approved | Mar 00 | http://www.ttc.or.jp/j/document_list/pdf/j/STD/JP-3GA-24.096(R99)v1.pdf |
| Release 4 | | | | | |
| CCSA | CCSA-TSD-TDD-24.096 | 4.0.1 | Published | Jun 12 | http://www.ccsa.org.cn/english/tc/files.php?docpath=/ITU-R/M.1457/M.1457-12/TDD |
| ETSI | ETSI TS 124 096 | 4.0.1 | Published | Jul 02 | http://www.etsi.org/deliver/etsi_ts/124000_124099/124096/04.00.01_60/ |
| TTC | TS-3GA-24.096(Rel4)v4.0.0 | 4.0.0 | Approved | May 01 | http://www.ttc.or.jp/j/document_list/free/TS/TS-3GA-24.096(Rel4)v4.0.0.pdf |
| Release 5 | | | | | |
| CCSA | CCSA-TSD-TDD-24.096 | 5.0.0 | Published | Jun 12 | http://www.ccsa.org.cn/english/tc/files.php?docpath=/ITU-R/M.1457/M.1457-12/TDD |
| ETSI | ETSI TS 124 096 | 5.0.0 | Published | Jul 02 | http://www.etsi.org/deliver/etsi_ts/124000_124099/124096/05.00.00_60/ |
| TTC | TS-3GA-24.096(Rel5)v5.0.0 | 5.0.0 | Approved | Aug 02 | http://www.ttc.or.jp/j/document_list/free/TS/TS-3GA-24.096(Rel5)v5.0.0.pdf |
| Release 6 | | | | | |
| CCSA | CCSA-TSD-TDD-24.096 | 6.0.0 | Published | Jun 12 | http://www.ccsa.org.cn/english/tc/files.php?docpath=/ITU-R/M.1457/M.1457-12/TDD |
| ETSI | ETSI TS 124 096 | 6.0.0 | Published | Jan 05 | http://www.etsi.org/deliver/etsi_ts/124000_124099/124096/06.00.00_60/ |
| TTC | TS-3GA-24.096(Rel6)v6.0.0 | 6.0.0 | Approved | Mar 05 | http://www.ttc.or.jp/j/document_list/free/TS/TS-3GA-24.096(Rel6)v6.0.0.pdf |
| Release 7 | | | | | |
| CCSA | CCSA-TSD-TDD-24.096 | 7.0.0 | Published | Jun 12 | http://www.ccsa.org.cn/english/tc/files.php?docpath=/ITU-R/M.1457/M.1457-12/TDD |
| ETSI | ETSI TS 124 096 | 7.0.0 | Published | Jul 07 | http://www.etsi.org/deliver/etsi_ts/124000_124099/124096/07.00.00_60/ |
| TTC | TS-3GA-24.096(Rel7)v7.0.0 | 7.0.0 | Approved | Mar 08 | http://www.ttc.or.jp/j/document_list/free/TS/TS-3GA-24.096(Rel7)v7.0.0.pdf |
| Release 8 | | | | | |
| CCSA | CCSA-TSD-TDD-24.096 | 8.0.0 | Published | Jun 12 | http://www.ccsa.org.cn/english/tc/files.php?docpath=/ITU-R/M.1457/M.1457-12/TDD |
| ETSI | ETSI TS 124 096 | 8.0.0 | Published | Jan 09 | http://www.etsi.org/deliver/etsi_ts/124000_124099/124096/08.00.00_60/ |
| TTC | TS-3GA-24.096(Rel8)v8.0.0 | 8.0.0 | Approved | Feb 09 | http://www.ttc.or.jp/j/document_list/free/3gpps2009/TS/TS-3GA-24.096(Rel8)v8.0.0.pdf |
| Release 9 | | | | | |
| ATIS | ATIS.3GPP.24.096V900-2010 | 9.0.0 | Approved | Jul 10 | https://www.atis.org/docstore/default.aspx |
| CCSA | CCSA-TSD-TDD-24.096 | 9.0.0 | Published | Jun 12 | http://www.ccsa.org.cn/english/tc/files.php?docpath=/ITU-R/M.1457/M.1457-12/TDD |
| ETSI | ETSI TS 124 096 | 9.0.0 | Published | Jan 10 | http://www.etsi.org/deliver/etsi_ts/124000_124099/124096/09.00.00_60/ |
| TTC | TS-3GA-24.096(Rel9)v9.0.0 | 9.0.0 | Approved | Jul 10 | http://www.ttc.or.jp/j/document_list/free/3gpps2010/TS/TS-3GA-24.096(Rel9)v9.0.0.pdf |
| Release 10 | | | | | |
| ATIS | ATIS.3GPP.24.096V1000-2012 | 10.0.0 | Approved | Jul 12 | https://www.atis.org/docstore/default.aspx |
| CCSA | CCSA-TSD-TDD-24.096 | 11.0.0 | Published | Jun 14 | http://www.ccsa.org.cn/english/tc/files.php?docpath=/ITU-R/M.1457/M.1457-12/TDD |
| CCSA | CCSA-TSD-TDD-24.096 | 10.0.0 | Published | Jun 12 | http://www.ccsa.org.cn/english/tc/files.php?docpath=/ITU-R/M.1457/M.1457-12/TDD |

| | | | | | |
|-------------------|-----------------------------|--------|-----------|--------|---|
| ETSI | ETSI TS 124 096 | 10.0.0 | Published | May 11 | http://www.etsi.org/deliver/etsi_ts/124000_124099/124096/10.00.00_60/ |
| TTC | TS-3GA-24.096(Rel10)v10.0.0 | 10.0.0 | Approved | Jun 11 | http://www.ttc.or.jp/j/document_list/free/3gpps2011/TS/TS-3GA-24.096(Rel10)v10.0.0.pdf |
| Release 11 | | | | | |
| ATIS | ATIS.3GPP.24.096V1100-2014 | 11.0.0 | Approved | May 14 | https://www.atis.org/docstore/default.aspx |
| ETSI | ETSI TS 124 096 | 11.0.0 | Published | Oct 12 | http://www.etsi.org/deliver/etsi_ts/124000_124099/124096/11.00.00_60/ |
| TTC | TS-3GA-24.096(Rel11)v11.0.0 | 11.0.0 | Approved | Jun 13 | http://www.ttc.or.jp/j/document_list/free/3gpps2013/TS/TS-3GA-24.096(Rel11)v11.0.0.pdf |

5.3.2.12.65 TS 24.109

Bootstrapping interface (Ub) and network application function interface (Ua); Protocol details

This document defines stage 3 for the HTTP Digest AKA based implementation of Ub interface (UE-BSF), the Disposable-Ks model based implementation of Ua interface (NAF-UE) and the HTTP Digest and the PSK TLS based implementation of bootstrapped security association usage over Ua interface (UE-NAF) in Generic Authentication Architecture (GAA) as specified in 3GPP TS 33.220.

The purpose of the Ub interface is to create a security association between UE and BSF for further usage in GAA applications. The purpose of the Ua interface is to provide a push mechanism to create a bootstrapped security association between the UE and NAF for secure communication of pushed messages. The purpose of the Ua interface is to use the so created bootstrapped security association between UE and NAF for secure communication.

This document also defines stage 3 for the Authentication Proxy usage as specified in 3GPP TS 33.222.

This document also defines stage 3 for the subscriber certificate enrolment as specified in 3GPP TS 33.221 which is one realization of the Ua interface. The subscriber certificate enrolment uses the HTTP Digest based implementation of bootstrapped security association usage to enrol a subscriber certificate and the delivery of a CA certificate.

| SDO (2) | Document No. | Version | Status | Issued date | Location (1) |
|------------------|----------------------------|---------|-----------|-------------|---|
| Release 6 | | | | | |
| CCSA | CCSA-TSD-TDD-24.109 | 6.10.0 | Published | Jun 12 | http://www.ccsa.org.cn/english/tc/files.php?docpath=/ITU-R/M.1457/M.1457-12/TDD |
| ETSI | ETSI TS 124 109 | 6.10.0 | Published | Oct 11 | http://www.etsi.org/deliver/etsi_ts/124100_124199/124109/06.10.00_60/ |
| TTC | TS-3GA-24.109(Rel6)v6.10.0 | 6.10.0 | Approved | Dec 11 | http://www.ttc.or.jp/j/document_list/free/3gpps2011/TS/TS-3GA-24.109(Rel6)v6.10.0.pdf |
| Release 7 | | | | | |
| CCSA | CCSA-TSD-TDD-24.109 | 7.7.0 | Published | Jun 12 | http://www.ccsa.org.cn/english/tc/files.php?docpath=/ITU-R/M.1457/M.1457-12/TDD |
| ETSI | ETSI TS 124 109 | 7.7.0 | Published | Oct 11 | http://www.etsi.org/deliver/etsi_ts/124100_124199/124109/07.07.00_60/ |
| TTC | TS-3GA-24.109(Rel7)v7.7.0 | 7.7.0 | Approved | Dec 11 | http://www.ttc.or.jp/jp/document_list/free/3gpps2011/TS/TS-3GA-24.109(Rel7)v7.7.0.pdf |
| Release 8 | | | | | |
| CCSA | CCSA-TSD-TDD-24.109 | 8.4.0 | Published | Jun 12 | http://www.ccsa.org.cn/english/tc/files.php?docpath=/ITU-R/M.1457/M.1457-12/TDD |
| ETSI | ETSI TS 124 109 | 8.4.0 | Published | Oct 11 | http://www.etsi.org/deliver/etsi_ts/124100_124199/124109/08.04.00_60/ |
| TTC | TS-3GA-24.109(Rel8)v8.4.0 | 8.4.0 | Approved | Dec 11 | http://www.ttc.or.jp/jp/document_list/free/3gpps2011/TS/TS-3GA-24.109(Rel8)v8.4.0.pdf |
| Release 9 | | | | | |
| CCSA | CCSA-TSD-TDD-24.109 | 9.2.0 | Published | Jun 12 | http://www.ccsa.org.cn/english/tc/files.php?docpath=/ITU-R/M.1457/M.1457-12/TDD |
| ETSI | ETSI TS 124 109 | 9.2.0 | Published | Oct 11 | http://www.etsi.org/deliver/etsi_ts/124100_124199/124109/09.02.00_60/ |
| TTC | TS-3GA-24.109(Rel9)v9.2.0 | 9.2.0 | Approved | Dec 11 | http://www.ttc.or.jp/jp/document_list/free/3gpps2011/TS/TS-3GA-24.109(Rel9)v9.2.0.pdf |

Release 10

| | | | | | |
|------|-----------------------------|--------|-----------|--------|---|
| ATIS | ATIS.3GPP.24.109V1010-2012 | 10.1.0 | Approved | Jul 12 | https://www.atis.org/docstore/default.aspx |
| CCSA | CCSA-TSD-TDD-24.109 | 10.1.0 | Published | Jun 12 | http://www.ccsa.org.cn/english/tc/files.php?docpath=/ITU-R/M.1457/M.1457-12/TDD |
| ETSI | ETSI TS 124 109 | 10.1.0 | Published | Oct 11 | http://www.etsi.org/deliver/etsi_ts/124100_124199/124109/10.01.00_60/ |
| TTC | TS-3GA-24.109(Rel10)v10.1.0 | 10.1.0 | Approved | Dec 11 | http://www.ttc.or.jp/jp/document_list/free/3gpps2011/TS/TS-3GA-24.109(Rel10)v10.1.0.pdf |

Release 11

| | | | | | |
|------|-----------------------------|--------|-----------|--------|---|
| ATIS | ATIS.3GPP.24.109V1120-2014 | 11.2.0 | Approved | May 14 | https://www.atis.org/docstore/default.aspx |
| CCSA | CCSA-TSD-TDD-24.109 | 11.4.0 | Published | Jun 14 | http://www.ccsa.org.cn/english/tc/files.php?docpath=/ITU-R/M.1457/M.1457-12/TDD |
| ETSI | ETSI TS 124 109 | 11.2.0 | Published | Jan 13 | http://www.etsi.org/deliver/etsi_ts/124100_124199/124109/11.02.00_60/ |
| TTC | TS-3GA-24.109(Rel11)v11.2.0 | 11.2.0 | Approved | Jun 13 | http://www.ttc.or.jp/jp/document_list/free/3gpps2013/TS/TS-3GA-24.109(Rel11)v11.2.0.pdf |

5.3.2.12.66 TS 24.139**3GPP system - fixed broadband access network interworking; Stage 3**

This document specifies the UE – EPC procedures for accessing 3GPP Evolved Packet Core (EPC) via a Fixed Broadband Access network. The specification covers the Support of QoS, Tunnel management procedures including the support of NAT traversal, and non-seamless offloading impacts. The document is applicable to the UE and the network (i.e. the 3GPP EPC).

SDO (2) Document No. Version Status Issued date Location (1)**Release 11**

| | | | | | |
|------|-----------------------------|--------|----------|--------|---|
| ATIS | ATIS.3GPP.24.139V1120-2014 | 11.2.0 | Approved | May 14 | https://www.atis.org/docstore/default.aspx |
| TTC | TS-3GA-24.139(Rel11)v11.2.0 | 11.2.0 | Approved | Jun 13 | http://www.ttc.or.jp/jp/document_list/free/3gpps2013/TS/TS-3GA-24.139(Rel11)v11.2.0.pdf |

5.3.2.12.67 TS 24.141**Presence service using the IP Multimedia (IM) Core Network (CN) subsystem; Stage 3**

This specification provides the protocol details for the presence service within the IP Multimedia (IM) Core Network (CN) subsystem based on the Session Initiation Protocol (SIP) and SIP Events as defined in 3GPP TS 24.229.

SDO (2) Document No. Version Status Issued date Location (1)**Release 6**

| | | | | | |
|------|----------------------------|--------|-----------|--------|---|
| ATIS | ATIS.3GPP.24.141V6140-2012 | 6.14.0 | Approved | Jul 12 | https://www.atis.org/docstore/default.aspx |
| CCSA | CCSA-TSD-TDD-24.141 | 6.14.0 | Published | Jun 12 | http://www.ccsa.org.cn/english/tc/files.php?docpath=/ITU-R/M.1457/M.1457-12/TDD |
| ETSI | ETSI TS 124 141 | 6.14.0 | Published | Jan 11 | http://www.etsi.org/deliver/etsi_ts/124100_124199/124141/06.14.00_60/ |
| TTC | TS-3GA-24.141(Rel6)v6.14.0 | 6.14.0 | Approved | Apr 11 | http://www.ttc.or.jp/jp/document_list/free/3gpps2011/TS/TS-3GA-24.141(Rel6)v6.14.0.pdf |

Release 7

| | | | | | |
|------|---------------------------|-------|-----------|--------|---|
| ATIS | ATIS.3GPP.24.141V790-2012 | 7.9.0 | Approved | Jul 12 | https://www.atis.org/docstore/default.aspx |
| CCSA | CCSA-TSD-TDD-24.141 | 7.9.0 | Published | Jun 12 | http://www.ccsa.org.cn/english/tc/files.php?docpath=/ITU-R/M.1457/M.1457-12/TDD |
| ETSI | ETSI TS 124 141 | 7.9.0 | Published | Jan 11 | http://www.etsi.org/deliver/etsi_ts/124100_124199/124141/07.09.00_60/ |
| TTC | TS-3GA-24.141(Rel7)v7.9.0 | 7.9.0 | Approved | Apr 11 | http://www.ttc.or.jp/jp/document_list/free/3gpps2011/TS/TS-3GA-24.141(Rel7)v7.9.0.pdf |

Release 8

| | | | | | |
|------|---------------------------|-------|-----------|--------|---|
| ATIS | ATIS.3GPP.24.141V860-2012 | 8.6.0 | Approved | Jul 12 | https://www.atis.org/docstore/default.aspx |
| CCSA | CCSA-TSD-TDD-24.141 | 8.6.0 | Published | Jun 12 | http://www.ccsa.org.cn/english/tc/files.php?docpath=/ITU-R/M.1457/M.1457-12/TDD |
| ETSI | ETSI TS 124 141 | 8.6.0 | Published | Jan 11 | http://www.etsi.org/deliver/etsi_ts/124100_124199/124141/08.06.00_60/ |
| TTC | TS-3GA-24.141(Rel8)v8.6.0 | 8.6.0 | Approved | Apr 11 | http://www.ttc.or.jp/j/document_list/free/3gpps2011/TS/TS-3GA-24.141(Rel8)v8.6.0.pdf |

Release 9

| | | | | | |
|------|---------------------------|-------|-----------|--------|---|
| ATIS | ATIS.3GPP.24.141V920-2012 | 9.2.0 | Approved | Jul 12 | https://www.atis.org/docstore/default.aspx |
| CCSA | CCSA-TSD-TDD-24.141 | 9.2.0 | Published | Jun 12 | http://www.ccsa.org.cn/english/tc/files.php?docpath=/ITU-R/M.1457/M.1457-12/TDD |
| ETSI | ETSI TS 124 141 | 9.2.0 | Published | Jan 11 | http://www.etsi.org/deliver/etsi_ts/124100_124199/124141/09.02.00_60/ |
| TTC | TS-3GA-24.141(Rel9)v9.2.0 | 9.2.0 | Approved | Apr 11 | http://www.ttc.or.jp/j/document_list/free/3gpps2011/TS/TS-3GA-24.141(Rel9)v9.2.0.pdf |

Release 10

| | | | | | |
|------|-----------------------------|--------|-----------|--------|---|
| ATIS | ATIS.3GPP.24.141V1000-2012 | 10.0.0 | Approved | Jul 12 | https://www.atis.org/docstore/default.aspx |
| CCSA | CCSA-TSD-TDD-24.141 | 10.0.0 | Published | Jun 12 | http://www.ccsa.org.cn/english/tc/files.php?docpath=/ITU-R/M.1457/M.1457-12/TDD |
| ETSI | ETSI TS 124 141 | 10.0.0 | Published | Mar 11 | http://www.etsi.org/deliver/etsi_ts/124100_124199/124141/10.00.00_60/ |
| TTC | TS-3GA-24.141(Rel10)v10.0.0 | 10.0.0 | Approved | Jun 11 | http://www.ttc.or.jp/j/document_list/free/3gpps2011/TS/TS-3GA-24.141(Rel10)v10.0.0.pdf |

Release 11

| | | | | | |
|------|-----------------------------|--------|-----------|--------|---|
| ATIS | ATIS.3GPP.24.141V1100-2014 | 11.0.0 | Approved | May 14 | https://www.atis.org/docstore/default.aspx |
| CCSA | CCSA-TSD-TDD-24.141 | 11.0.0 | Published | Jun 14 | http://www.ccsa.org.cn/english/tc/files.php?docpath=/ITU-R/M.1457/M.1457-12/TDD |
| ETSI | ETSI TS 124 141 | 11.0.0 | Published | Oct 12 | http://www.etsi.org/deliver/etsi_ts/124100_124199/124141/11.00.00_60/ |
| TTC | TS-3GA-24.141(Rel11)v11.0.0 | 11.0.0 | Approved | Jun 13 | http://www.ttc.or.jp/j/document_list/free/3gpps2013/TS/TS-3GA-24.141(Rel11)v11.0.0.pdf |

5.3.2.12.68 TS 24.147**Conferencing using the IP Multimedia (IM) Core Network (CN) subsystem; Stage 3**

This specification provides the protocol details for conferencing within the IP Multimedia Core Network subsystem (IMS) based on the Session Initiation Protocol (SIP), SIP Events, the Session Description Protocol (SDP) and the Binary Floor Control Protocol (BFCP).

| SDO (2) | Document No. | Version | Status | Issued date | Location (1) |
|------------------|----------------------------|---------|-----------|-------------|---|
| Release 6 | | | | | |
| ATIS | ATIS.3GPP.24.147V690-2008 | 6.9.0 | Approved | Oct 08 | https://www.atis.org/docstore/default.aspx |
| CCSA | CCSA-TSD-TDD-24.147 | 6.9.0 | Published | Jun 08 | http://www.ccsa.org.cn/english/tc/files.php?docpath=/ITU-R/M.1457/M.1457-12/TDD |
| ETSI | ETSI TS 124 147 | 6.9.0 | Published | Jun 08 | http://www.etsi.org/deliver/etsi_ts/124100_124199/124147/06.09.00_60/ |
| TTC | TS-3GA-24.147(Rel6)v6.9.0 | 6.9.0 | Approved | Feb 09 | http://www.ttc.or.jp/j/document_list/free/3gpps2009/TS/TS-3GA-24.147(Rel6)v6.9.0.pdf |
| Release 7 | | | | | |
| ATIS | ATIS.3GPP.24.147V7100-2009 | 7.10.0 | Approved | Jul 09 | https://www.atis.org/docstore/default.aspx |
| CCSA | CCSA-TSD-TDD-24.147 | 7.10.0 | Published | Jan 09 | http://www.ccsa.org.cn/english/tc/files.php?docpath=/ITU-R/M.1457/M.1457-12/TDD |
| ETSI | ETSI TS 124 147 | 7.10.0 | Published | Jan 09 | http://www.etsi.org/deliver/etsi_ts/124100_124199/124147/07.10.00_60/ |
| TTC | TS-3GA-24.147(Rel7)v7.10.0 | 7.10.0 | Approved | Feb 09 | http://www.ttc.or.jp/j/document_list/free/3gpps2009/TS/TS-3GA-24.147(Rel7)v7.10.0.pdf |
| Release 8 | | | | | |
| ATIS | ATIS.3GPP.24.147V840-2014 | 8.4.0 | Approved | May 14 | https://www.atis.org/docstore/default.aspx |
| CCSA | CCSA-TSD-TDD-24.147 | 8.4.0 | Published | Jun 12 | http://www.ccsa.org.cn/english/tc/files.php?docpath=/ITU-R/M.1457/M.1457-12/TDD |
| ETSI | ETSI TS 124 147 | 8.4.0 | Published | Jan 12 | http://www.etsi.org/deliver/etsi_ts/124100_124199/124147/08.04.00_60/ |
| TTC | TS-3GA-24.147(Rel8)v8.4.0 | 8.4.0 | Approved | Feb 12 | http://www.ttc.or.jp/j/document_list/free/3gpps2012/TS/TS-3GA-24.147(Rel8)v8.4.0.pdf |

Release 9

| | | | | | |
|------|---------------------------|-------|-----------|--------|---|
| ATIS | ATIS.3GPP.24.147V920-2014 | 9.2.0 | Approved | May 14 | https://www.atis.org/docstore/default.aspx |
| CCSA | CCSA-TSD-TDD-24.147 | 9.2.0 | Published | Jun 12 | http://www.ccsa.org.cn/english/tc/files.php?docpath=/ITU-R/M.1457/M.1457-12/TDD |
| ETSI | ETSI TS 124 147 | 9.2.0 | Published | Jan 12 | http://www.etsi.org/deliver/etsi_ts/124100_124199/124147/09.02.00_60/ |
| TTC | TS-3GA-24.147(Rel9)v9.2.0 | 9.2.0 | Approved | Feb 12 | http://www.ttc.or.jp/jp/document_list/free/3gpps2012/TS/TS-3GA-24.147(Rel9)v9.2.0.pdf |

Release 10

| | | | | | |
|------|-----------------------------|--------|-----------|--------|---|
| ATIS | ATIS.3GPP.24.147V1020-2014 | 10.2.0 | Approved | May 14 | https://www.atis.org/docstore/default.aspx |
| CCSA | CCSA-TSD-TDD-24.147 | 10.2.0 | Published | Jun 12 | http://www.ccsa.org.cn/english/tc/files.php?docpath=/ITU-R/M.1457/M.1457-12/TDD |
| ETSI | ETSI TS 124 147 | 10.2.0 | Published | Jan 12 | http://www.etsi.org/deliver/etsi_ts/124100_124199/124147/10.02.00_60/ |
| TTC | TS-3GA-24.147(Rel10)v10.2.0 | 10.2.0 | Approved | Feb 12 | http://www.ttc.or.jp/jp/document_list/free/3gpps2012/TS/TS-3GA-24.147(Rel10)v10.2.0.pdf |

Release 11

| | | | | | |
|------|-----------------------------|--------|-----------|--------|---|
| ATIS | ATIS.3GPP.24.147V1110-2014 | 11.1.0 | Approved | May 14 | https://www.atis.org/docstore/default.aspx |
| CCSA | CCSA-TSD-TDD-24.147 | 11.2.0 | Published | Jun 14 | http://www.ccsa.org.cn/english/tc/files.php?docpath=/ITU-R/M.1457/M.1457-12/TDD |
| ETSI | ETSI TS 124 147 | 11.1.0 | Published | Nov 12 | http://www.etsi.org/deliver/etsi_ts/124100_124199/124147/11.01.00_60/ |
| TTC | TS-3GA-24.147(Rel11)v11.1.0 | 11.1.0 | Approved | Jun 13 | http://www.ttc.or.jp/jp/document_list/free/3gpps2013/TS/TS-3GA-24.147(Rel11)v11.1.0.pdf |

5.3.2.12.69 TS 24.166**3GPP IP Multimedia Subsystem (IMS) conferencing Management Object (MO)**

This document defines the IMS conferencing management object. The management object is compatible with OMA Device Management protocol specifications, version 1.2 and upwards, and is defined using the OMA DM Device Description Framework as described in the Enabler Release Definition OMA-ERELD_DM-V1_2. The IMS conferencing management object consists of relevant parameters that can be managed for IMS conferencing capabilities.

| SDO (2) | Document No. | Version | Status | Issued date | Location (1) |
|-------------------|-----------------------------|---------|-----------|-------------|---|
| Release 9 | | | | | |
| ATIS | ATIS.3GPP.24.166V920-2012 | 9.2.0 | Approved | Jul 12 | https://www.atis.org/docstore/default.aspx |
| CCSA | CCSA-TSD-TDD-24.166 | 9.2.0 | Published | Jun 12 | http://www.ccsa.org.cn/english/tc/files.php?docpath=/ITU-R/M.1457/M.1457-12/TDD |
| ETSI | ETSI TS 124 166 | 9.2.0 | Published | Apr 11 | http://www.etsi.org/deliver/etsi_ts/124100_124199/124166/09.02.00_60/ |
| TTC | TS-3GA-24.166(Rel9)v9.2.0 | 9.2.0 | Approved | Jun 11 | http://www.ttc.or.jp/j/document_list/free/3gpps2011/TS/TS-3GA-24.166(Rel9)v9.2.0.pdf |
| Release 10 | | | | | |
| ATIS | ATIS.3GPP.24.166V1000-2012 | 10.0.0 | Approved | Jul 12 | https://www.atis.org/docstore/default.aspx |
| CCSA | CCSA-TSD-TDD-24.166 | 10.0.0 | Published | Jun 12 | http://www.ccsa.org.cn/english/tc/files.php?docpath=/ITU-R/M.1457/M.1457-12/TDD |
| ETSI | ETSI TS 124 166 | 10.0.0 | Published | Apr 11 | http://www.etsi.org/deliver/etsi_ts/124100_124199/124166/10.00.00_60/ |
| TTC | TS-3GA-24.166(Rel10)v10.0.0 | 10.0.0 | Approved | Jun 11 | http://www.ttc.or.jp/j/document_list/free/3gpps2011/TS/TS-3GA-24.166(Rel10)v10.0.0.pdf |
| Release 11 | | | | | |
| ATIS | ATIS.3GPP.24.166V1100-2014 | 11.0.0 | Approved | May 14 | https://www.atis.org/docstore/default.aspx |
| CCSA | CCSA-TSD-TDD-24.166 | 11.0.0 | Published | Jun 14 | http://www.ccsa.org.cn/english/tc/files.php?docpath=/ITU-R/M.1457/M.1457-12/TDD |
| ETSI | ETSI TS 124 166 | 11.0.0 | Published | Oct 12 | http://www.etsi.org/deliver/etsi_ts/124100_124199/124166/11.00.00_60/ |
| TTC | TS-3GA-24.166(Rel11)v11.0.0 | 11.0.0 | Approved | Jun 13 | http://www.ttc.or.jp/j/document_list/free/3gpps2013/TS/TS-3GA-24.166(Rel11)v11.0.0.pdf |

5.3.2.12.70 TS 24.167

3GPP IMS Management Object (MO); Stage 3

This document defines a mobile device 3GPP IMS Management Object. The management object is compatible with OMA Device Management protocol specifications, version 1.2 and upwards, and is defined using the OMA DM Device Description Framework as described in the Enabler Release Definition OMA-ERELED_DM-V1_2. The 3GPP IMS Management Object consists of relevant parameters that can be managed for the IM CN Subsystem. This includes the basic framework defined in 3GPP TS 23.228 and 3GPP TS 24.229, and early IMS as defined in 3GPP TS 23.221. This also includes relevant parameters that can be managed for the application of SMS over IP networks defined in 3GPP TS 24.341. The IMS Management Object defines a repository of data into the ME including parameters that are provisioned from the ISIM application (i.e. 3GPP TS 31.103) or, after derivation, from the USIM application (i.e. 3GPP TS 31.102).

| SDO (2) | Document No. | Version | Status | Issued date | Location (1) |
|-------------------|-----------------------------|---------|-----------|-------------|---|
| Release 6 | | | | | |
| CCSA | CCSA-TSD-TDD-24.167 | 6.8.0 | Published | Jun 12 | http://www.ccsa.org.cn/english/tc/files.php?docpath=/ITU-R/M.1457/M.1457-12/TDD |
| ETSI | ETSI TS 124 167 | 6.8.0 | Published | Oct 09 | http://www.etsi.org/deliver/etsi_ts/124100_124199/124167/06.08.00_60/ |
| TTC | TS-3GA-24.167(Rel6)v6.8.0 | 6.8.0 | Approved | Dec 09 | http://www.ttc.or.jp/j/document_list/free/3gpps2009/TS/TS-3GA-24.167(Rel6)v6.8.0.pdf |
| Release 7 | | | | | |
| CCSA | CCSA-TSD-TDD-24.167 | 7.6.0 | Published | Jun 12 | http://www.ccsa.org.cn/english/tc/files.php?docpath=/ITU-R/M.1457/M.1457-12/TDD |
| ETSI | ETSI TS 124 167 | 7.6.0 | Published | Oct 09 | http://www.etsi.org/deliver/etsi_ts/124100_124199/124167/07.06.00_60/ |
| TTC | TS-3GA-24.167(Rel7)v7.6.0 | 7.6.0 | Approved | Dec 09 | http://www.ttc.or.jp/j/document_list/free/3gpps2009/TS/TS-3GA-24.167(Rel7)v7.6.0.pdf |
| Release 8 | | | | | |
| CCSA | CCSA-TSD-TDD-24.167 | 8.4.0 | Published | Jun 12 | http://www.ccsa.org.cn/english/tc/files.php?docpath=/ITU-R/M.1457/M.1457-12/TDD |
| ETSI | ETSI TS 124 167 | 8.4.0 | Published | Jan 10 | http://www.etsi.org/deliver/etsi_ts/124100_124199/124167/08.04.00_60/ |
| TTC | TS-3GA-24.167(Rel8)v8.4.0 | 8.4.0 | Approved | Apr 10 | http://www.ttc.or.jp/j/document_list/free/3gpps2010/TS/TS-3GA-24.167(Rel8)v8.4.0.pdf |
| Release 9 | | | | | |
| ATIS | ATIS.3GPP.24.167V920-2012 | 9.2.0 | Approved | Jul 12 | https://www.atis.org/docstore/default.aspx |
| CCSA | CCSA-TSD-TDD-24.167 | 9.2.0 | Published | Jun 12 | http://www.ccsa.org.cn/english/tc/files.php?docpath=/ITU-R/M.1457/M.1457-12/TDD |
| ETSI | ETSI TS 124 167 | 9.2.0 | Published | Jun 10 | http://www.etsi.org/deliver/etsi_ts/124100_124199/124167/09.02.00_60/ |
| TTC | TS-3GA-24.167(Rel9)v9.2.0 | 9.2.0 | Approved | Oct 10 | http://www.ttc.or.jp/j/document_list/free/3gpps2010/TS/TS-3GA-24.167(Rel9)v9.2.0.pdf |
| Release 10 | | | | | |
| ATIS | ATIS.3GPP.24.167V1030-2014 | 10.3.0 | Approved | May 14 | https://www.atis.org/docstore/default.aspx |
| CCSA | CCSA-TSD-TDD-24.167 | 10.2.0 | Published | Jun 12 | http://www.ccsa.org.cn/english/tc/files.php?docpath=/ITU-R/M.1457/M.1457-12/TDD |
| ETSI | ETSI TS 124 167 | 10.3.0 | Published | Mar 12 | http://www.etsi.org/deliver/etsi_ts/124100_124199/124167/10.03.00_60/ |
| TTC | TS-3GA-24.167(Rel10)v10.3.0 | 10.3.0 | Approved | Jun 12 | http://www.ttc.or.jp/j/document_list/free/3gpps2012/TS/TS-3GA-24.167(Rel10)v10.3.0.pdf |
| Release 11 | | | | | |
| ATIS | ATIS.3GPP.24.167V1101-2014 | 11.0.1 | Approved | May 14 | https://www.atis.org/docstore/default.aspx |
| CCSA | CCSA-TSD-TDD-24.167 | 11.0.0 | Published | Jun 14 | http://www.ccsa.org.cn/english/tc/files.php?docpath=/ITU-R/M.1457/M.1457-12/TDD |
| ETSI | ETSI TS 124 167 | 11.0.1 | Published | Jan 13 | http://www.etsi.org/deliver/etsi_ts/124100_124199/124167/11.00.01_60/ |
| TTC | TS-3GA-24.167(Rel11)v11.0.1 | 11.0.1 | Approved | Jun 13 | http://www.ttc.or.jp/j/document_list/free/3gpps2013/TS/TS-3GA-24.167(Rel11)v11.0.1.pdf |

5.3.2.12.71 TS 24.171

Control Plane Location Services (LCS) procedures in the Evolved Packet System (EPS)

This document specifies the operations and information coding for the Non-access Stratum (NAS) layer protocol for supporting the Location Services (LCS) in the Evolved Universal Terrestrial Radio Access Network (E-UTRAN). This document is applicable to the User Equipment (UE) and to the Mobility Management Entity (MME) in the Evolved Packet System (EPS). This document is developed in accordance to the general principles stated in 3GPP TS 23.271

| SDO (2) | Document No. | Version | Status | Issued date | Location (1) |
|-------------------|-----------------------------|---------|-----------|-------------|---|
| Release 9 | | | | | |
| ATIS | ATIS.3GPP.24.171V900-2010 | 9.0.0 | Approved | Jul 10 | https://www.atis.org/docstore/default.aspx |
| CCSA | CCSA-TSD-TDD-24.171 | 9.0.0 | Published | Jun 12 | http://www.ccsa.org.cn/english/tc/files.php?docpath=/ITU-R/M.1457/M.1457-12/TDD |
| ETSI | ETSI TS 124 171 | 9.0.0 | Published | Apr 10 | http://www.etsi.org/deliver/etsi_ts/124100_124199/124171/09.00.00_60/ |
| TTC | TS-3GA-24.171(Rel9)v9.0.0 | 9.0.0 | Approved | Jul 10 | http://www.ttc.or.jp/j/document_list/free/3gpps2010/TS/TS-3GA-24.171(Rel9)v9.0.0.pdf |
| Release 10 | | | | | |
| ATIS | ATIS.3GPP.24.171V1000-2012 | 9.0.0 | Approved | Jul 12 | https://www.atis.org/docstore/default.aspx |
| CCSA | CCSA-TSD-TDD-24.171 | 10.0.0 | Published | Jun 12 | http://www.ccsa.org.cn/english/tc/files.php?docpath=/ITU-R/M.1457/M.1457-12/TDD |
| ETSI | ETSI TS 124 171 | 10.0.0 | Published | May 11 | http://www.etsi.org/deliver/etsi_ts/124100_124199/124171/10.00.00_60/ |
| TTC | TS-3GA-24.171(Rel10)v10.0.0 | 10.0.0 | Approved | Jun 11 | http://www.ttc.or.jp/j/document_list/free/3gpps2011/TS/TS-3GA-24.171(Rel10)v10.0.0.pdf |
| Release 11 | | | | | |
| ATIS | ATIS.3GPP.24.171V1100-2014 | 11.0.0 | Approved | May 14 | https://www.atis.org/docstore/default.aspx |
| CCSA | CCSA-TSD-TDD-24.171 | 11.0.0 | Published | Jun 14 | http://www.ccsa.org.cn/english/tc/files.php?docpath=/ITU-R/M.1457/M.1457-12/TDD |
| ETSI | ETSI TS 124 171 | 11.0.0 | Published | Oct 12 | http://www.etsi.org/deliver/etsi_ts/124100_124199/124171/11.00.00_60/ |
| TTC | TS-3GA-24.171(Rel11)v11.0.0 | 11.0.0 | Approved | Jun 13 | http://www.ttc.or.jp/j/document_list/free/3gpps2013/TS/TS-3GA-24.171(Rel11)v11.0.0.pdf |

5.3.2.12.72 TS 24.173

IMS Multimedia telephony communication service and supplementary services; Stage 3

This specification provides the protocol details for multimedia telephony communication service and associated supplementary services in the IP Multimedia (IM) Core Network (CN) subsystem based on the requirements from 3GPP TS 22.173. Multimedia telephony and supplementary services allow users to establish communications between them and enrich that by enabling supplementary services.

| SDO (2) | Document No. | Version | Status | Issued date | Location (1) |
|------------------|---------------------------|---------|-----------|-------------|---|
| Release 7 | | | | | |
| ATIS | ATIS.3GPP.24.173V790-2010 | 7.9.0 | Approved | Jul 10 | https://www.atis.org/docstore/default.aspx |
| CCSA | CCSA-TSD-TDD-24.173 | 7.9.0 | Published | Mar 10 | http://www.ccsa.org.cn/english/tc/files.php?docpath=/ITU-R/M.1457/M.1457-12/TDD |
| ETSI | ETSI TS 124 173 | 7.9.0 | Published | Jun 09 | http://www.etsi.org/deliver/etsi_ts/124100_124199/124173/07.09.00_60/ |
| TTC | TS-3GA-24.173(Rel7)v7.9.0 | 7.9.0 | Approved | Oct 09 | http://www.ttc.or.jp/j/document_list/free/3gpps2009/TS/TS-3GA-24.173(Rel7)v7.9.0.pdf |
| Release 8 | | | | | |
| ATIS | ATIS.3GPP.24.173V860-2010 | 8.6.0 | Approved | Jul 10 | https://www.atis.org/docstore/default.aspx |
| CCSA | CCSA-TSD-TDD-24.173 | 8.6.0 | Published | Mar 10 | http://www.ccsa.org.cn/english/tc/files.php?docpath=/ITU-R/M.1457/M.1457-12/TDD |
| ETSI | ETSI TS 124 173 | 8.6.0 | Published | Jan 10 | http://www.etsi.org/deliver/etsi_ts/124100_124199/124173/08.06.00_60/ |
| TTC | TS-3GA-24.173(Rel8)v8.6.0 | 8.6.0 | Approved | Apr 10 | http://www.ttc.or.jp/j/document_list/free/3gpps2010/TS/TS-3GA-24.173(Rel8)v8.6.0.pdf |

Release 9

| | | | | | |
|------|---------------------------|-------|-----------|--------|---|
| ATIS | ATIS.3GPP.24.173V910-2010 | 9.1.0 | Approved | Jul 10 | https://www.atis.org/docstore/default.aspx |
| CCSA | CCSA-TSD-TDD-24.173 | 9.1.0 | Published | Mar 10 | http://www.ccsa.org.cn/english/tc/files.php?docpath=/ITU-R/M.1457/M.1457-12/TDD |
| ETSI | ETSI TS 124 173 | 9.1.0 | Published | Apr 10 | http://www.etsi.org/deliver/etsi_ts/124100_124199/124173/09.01.00_60/ |
| TTC | TS-3GA-24.173(Rel9)v9.1.0 | 9.1.0 | Approved | Jul 10 | http://www.ttc.or.jp/j/document_list/free/3gpps2010/TS/TS-3GA-24.173(Rel9)v9.1.0.pdf |

Release 10

| | | | | | |
|------|-----------------------------|--------|-----------|--------|---|
| ATIS | ATIS.3GPP.24.173V1000-2012 | 10.0.0 | Approved | Jul 12 | https://www.atis.org/docstore/default.aspx |
| CCSA | CCSA-TSD-TDD-24.173 | 10.0.0 | Published | Jun 12 | http://www.ccsa.org.cn/english/tc/files.php?docpath=/ITU-R/M.1457/M.1457-12/TDD |
| ETSI | ETSI TS 124 173 | 10.0.0 | Published | May 11 | http://www.etsi.org/deliver/etsi_ts/124100_124199/124173/10.00.00_60/ |
| TTC | TS-3GA-24.173(Rel10)v10.0.0 | 10.0.0 | Approved | Jun 11 | http://www.ttc.or.jp/j/document_list/free/3gpps2011/TS/TS-3GA-24.173(Rel10)v10.0.0.pdf |

Release 11

| | | | | | |
|------|-----------------------------|--------|-----------|--------|---|
| ATIS | ATIS.3GPP.24.173V1150-2014 | 11.5.0 | Approved | May 14 | https://www.atis.org/docstore/default.aspx |
| CCSA | CCSA-TSD-TDD-24.173 | 11.5.0 | Published | Jun 14 | http://www.ccsa.org.cn/english/tc/files.php?docpath=/ITU-R/M.1457/M.1457-12/TDD |
| ETSI | ETSI TS 124 173 | 11.5.0 | Published | Apr 13 | http://www.etsi.org/deliver/etsi_ts/124100_124199/124173/11.05.00_60/ |
| TTC | TS-3GA-24.173(Rel11)v11.5.0 | 11.5.0 | Approved | Jun 13 | http://www.ttc.or.jp/j/document_list/free/3gpps2013/TS/TS-3GA-24.173(Rel11)v11.5.0.pdf |

5.3.2.12.73 TS 24.182**IP Multimedia Subsystem (IMS) Customized Alerting Tones (CAT); Protocol specification**

This document provides the protocol details for the Customized Alerting Tones (CAT) service in the IP Multimedia (IM) Core Network (CN) subsystem based on the requirements from 3GPP TS 22.182. The CAT service is an operator specific service by which an operator enables the subscriber to customize the media which is played to the calling party during alerting of the called party.

| SDO (2) | Document No. | Version | Status | Issued date | Location (1) |
|-------------------|-----------------------------|---------|-----------|-------------|---|
| Release 8 | | | | | |
| CCSA | CCSA-TSD-TDD-24.182 | 8.7.0 | Published | Jun 12 | http://www.ccsa.org.cn/english/tc/files.php?docpath=/ITU-R/M.1457/M.1457-12/TDD |
| ETSI | ETSI TS 124 182 | 8.7.0 | Published | Jun 11 | http://www.etsi.org/deliver/etsi_ts/124100_124199/124182/08.07.00_60/ |
| TTC | TS-3GA-24.182(Rel8)v8.7.0 | 8.7.0 | Approved | Aug 11 | http://www.ttc.or.jp/j/document_list/free/3gpps2011/TS/TS-3GA-24.182(Rel8)v8.7.0.pdf |
| Release 9 | | | | | |
| ATIS | ATIS.3GPP.24.182V980-2012 | 9.8.0 | Approved | Jul 12 | https://www.atis.org/docstore/default.aspx |
| CCSA | CCSA-TSD-TDD-24.182 | 9.8.0 | Published | Jun 12 | http://www.ccsa.org.cn/english/tc/files.php?docpath=/ITU-R/M.1457/M.1457-12/TDD |
| ETSI | ETSI TS 124 182 | 9.8.0 | Published | Jun 11 | http://www.etsi.org/deliver/etsi_ts/124100_124199/124182/09.08.00_60/ |
| TTC | TS-3GA-24.182(Rel9)v9.8.0 | 9.8.0 | Approved | Jun 11 | http://www.ttc.or.jp/jp/document_list/free/3gpps2011/TS/TS-3GA-24.182(Rel9)v9.8.0.pdf |
| Release 10 | | | | | |
| ATIS | ATIS.3GPP.24.182V1030-2012 | 10.3.0 | Approved | Jul 12 | https://www.atis.org/docstore/default.aspx |
| CCSA | CCSA-TSD-TDD-24.182 | 10.3.0 | Published | Jun 12 | http://www.ccsa.org.cn/english/tc/files.php?docpath=/ITU-R/M.1457/M.1457-12/TDD |
| ETSI | ETSI TS 124 182 | 10.3.0 | Published | Jun 11 | http://www.etsi.org/deliver/etsi_ts/124100_124199/124182/10.03.00_60/ |
| TTC | TS-3GA-24.182(Rel10)v10.3.0 | 10.3.0 | Approved | Jun 11 | http://www.ttc.or.jp/jp/document_list/free/3gpps2011/TS/TS-3GA-24.182(Rel10)v10.3.0.pdf |
| Release 11 | | | | | |

| | | | | | |
|------|-----------------------------|--------|-----------|--------|---|
| ATIS | ATIS.3GPP.24.182V1100-2014 | 11.0.0 | Approved | May 14 | https://www.atis.org/docstore/default.aspx |
| CCSA | CCSA-TSD-TDD-24.182 | 11.1.0 | Published | Jun 14 | http://www.ccsa.org.cn/english/tc/files.php?docpath=/ITU-R/M.1457/M.1457-12/TDD |
| ETSI | ETSI TS 124 182 | 11.0.0 | Published | Oct 12 | http://www.etsi.org/deliver/etsi_ts/124100_124199/124182/11.00.00_60/ |
| TTC | TS-3GA-24.182(Rel11)v11.0.0 | 11.0.0 | Approved | Jun 13 | http://www.ttc.or.jp/jp/document_list/free/3gpps2013/TS/TS-3GA-24.182(Rel11)v11.0.0.pdf |

5.3.2.12.74 TS 24.183

IP Multimedia Subsystem (IMS) Customized Ringing Signal (CRS); Protocol specification

The specification provides the protocol details for the Customized Ringing Signal (CRS) service in the IP Multimedia (IM) Core Network (CN) subsystem based on the requirements from 3GPP TS 22.183. The CRS service is an operator specific service by which an operator enables the subscriber to customize the media which is played to the called party as an incoming communication indication during establishment of a communication. This document is applicable to User Equipment (UE) and Application Servers (AS) which are intended to support the CRS service.

| SDO (2) | Document No. | Version | Status | Issued date | Location (1) |
|-------------------|-----------------------------|---------|-----------|-------------|---|
| Release 9 | | | | | |
| ATIS | ATIS.3GPP.24.183V960-2014 | 9.6.0 | Approved | May 14 | https://www.atis.org/docstore/default.aspx |
| CCSA | CCSA-TSD-TDD-24.183 | 9.5.0 | Published | Jun 12 | http://www.ccsa.org.cn/english/tc/files.php?docpath=/ITU-R/M.1457/M.1457-12/TDD |
| ETSI | ETSI TS 124 183 | 9.6.0 | Published | Jul 12 | http://www.etsi.org/deliver/etsi_ts/124100_124199/124183/09.06.00_60/ |
| TTC | TS-3GA-24.183(Rel9)v9.6.0 | 9.6.0 | Approved | Sep 12 | http://www.ttc.or.jp/jp/document_list/free/3gpps2012/TS/TS-3GA-24.183(Rel9)v9.6.0.pdf |
| Release 10 | | | | | |
| ATIS | ATIS.3GPP.24.183V1030-2014 | 10.3.0 | Approved | May 14 | https://www.atis.org/docstore/default.aspx |
| CCSA | CCSA-TSD-TDD-24.183 | 10.2.0 | Published | Jun 12 | http://www.ccsa.org.cn/english/tc/files.php?docpath=/ITU-R/M.1457/M.1457-12/TDD |
| ETSI | ETSI TS 124 183 | 10.3.0 | Published | Jul 12 | http://www.etsi.org/deliver/etsi_ts/124100_124199/124183/10.03.00_60/ |
| TTC | TS-3GA-24.183(Rel10)v10.3.0 | 10.3.0 | Approved | Sep 12 | http://www.ttc.or.jp/jp/document_list/free/3gpps2011/TS/TS-3GA-24.183(Rel10)v10.2.0.pdf |
| Release 11 | | | | | |
| ATIS | ATIS.3GPP.24.183V1110-2014 | 11.1.0 | Approved | May 14 | https://www.atis.org/docstore/default.aspx |
| CCSA | CCSA-TSD-TDD-24.183 | 11.4.0 | Published | Jun 14 | http://www.ccsa.org.cn/english/tc/files.php?docpath=/ITU-R/M.1457/M.1457-12/TDD |
| ETSI | ETSI TS 124 183 | 11.1.0 | Published | Nov 12 | http://www.etsi.org/deliver/etsi_ts/124100_124199/124183/11.01.00_60/ |
| TTC | TS-3GA-24.183(Rel11)v11.1.0 | 11.1.0 | Approved | Jun 13 | http://www.ttc.or.jp/jp/document_list/free/3gpps2013/TS/TS-3GA-24.183(Rel11)v11.1.0.pdf |

5.3.2.12.75 TS 24.216

Communication Continuity Management Object (MO)

This document defines the Communication Continuity Management Object. The management object is compatible with OMA Device Management protocol specifications, version 1.2 and upwards, and is defined using the OMA DM Device Description Framework as described in the Enabler Release Definition OMA-ERELED_DM-V1_2. The Communication Continuity Management Object consists of relevant parameters that can be managed for Communication Continuity capabilities.

| SDO (2) | Document No. | Version | Status | Issued date | Location (1) |
|------------------|--------------|---------|--------|-------------|--------------|
| Release 7 | | | | | |

| | | | | | |
|-------------------|-----------------------------|--------|-----------|--------|---|
| CCSA | CCSA-TSD-TDD-24.216 | 7.5.0 | Published | Jun 12 | http://www.ccsa.org.cn/english/tc/files.php?docpath=/ITU-R/M.1457/M.1457-12/TDD |
| ETSI | ETSI TS 124 216 | 7.5.0 | Published | Oct 10 | http://www.etsi.org/deliver/etsi_ts/124200_124299/124216/07.05.00_60/ |
| TTC | TS-3GA-24.216(Rel7)v7.5.0 | 7.5.0 | Approved | Dec 10 | http://www.ttc.or.jp/j/document_list/free/3gpps2010/TS/TS-3GA-24.216(Rel7)v7.5.0.pdf |
| Release 8 | | | | | |
| CCSA | CCSA-TSD-TDD-24.216 | 8.4.0 | Published | Jun 12 | http://www.ccsa.org.cn/english/tc/files.php?docpath=/ITU-R/M.1457/M.1457-12/TDD |
| ETSI | ETSI TS 124 216 | 8.4.0 | Published | Oct 10 | http://www.etsi.org/deliver/etsi_ts/124200_124299/124216/08.04.00_60/ |
| TTC | TS-3GA-24.216(Rel8)v8.4.0 | 8.4.0 | Approved | Dec 10 | http://www.ttc.or.jp/j/document_list/free/3gpps2010/TS/TS-3GA-24.216(Rel8)v8.4.0.pdf |
| Release 9 | | | | | |
| ATIS | ATIS.3GPP.24.216V930-2012 | 9.3.0 | Approved | Jul 12 | https://www.atis.org/docstore/default.aspx |
| CCSA | CCSA-TSD-TDD-24.216 | 9.3.0 | Published | Jun 12 | http://www.ccsa.org.cn/english/tc/files.php?docpath=/ITU-R/M.1457/M.1457-12/TDD |
| ETSI | ETSI TS 124 216 | 9.3.0 | Published | Oct 10 | http://www.etsi.org/deliver/etsi_ts/124200_124299/124216/09.03.00_60/ |
| TTC | TS-3GA-24.216(Rel9)v9.3.0 | 9.3.0 | Approved | Dec 10 | http://www.ttc.or.jp/j/document_list/free/3gpps2010/TS/TS-3GA-24.216(Rel9)v9.3.0.pdf |
| Release 10 | | | | | |
| ATIS | ATIS.3GPP.24.216V1000-2012 | 10.0.0 | Approved | Jul 12 | https://www.atis.org/docstore/default.aspx |
| CCSA | CCSA-TSD-TDD-24.216 | 10.0.0 | Published | Jun 12 | http://www.ccsa.org.cn/english/tc/files.php?docpath=/ITU-R/M.1457/M.1457-12/TDD |
| ETSI | ETSI TS 124 216 | 10.0.0 | Published | Mar 11 | http://www.etsi.org/deliver/etsi_ts/124200_124299/124216/10.00.00_60/ |
| TTC | TS-3GA-24.216(Rel10)v10.0.0 | 10.0.0 | Approved | Jun 11 | http://www.ttc.or.jp/j/document_list/free/3gpps2011/TS/TS-3GA-24.216(Rel10)v10.0.0.pdf |
| Release 11 | | | | | |
| ATIS | ATIS.3GPP.24.216V1110-2014 | 11.1.0 | Approved | May 14 | https://www.atis.org/docstore/default.aspx |
| CCSA | CCSA-TSD-TDD-24.216 | 11.1.0 | Published | Jun 14 | http://www.ccsa.org.cn/english/tc/files.php?docpath=/ITU-R/M.1457/M.1457-12/TDD |
| ETSI | ETSI TS 124 216 | 11.1.0 | Published | Jan 13 | http://www.etsi.org/deliver/etsi_ts/124200_124299/124216/11.01.00_60/ |
| TTC | TS-3GA-24.216(Rel11)v11.1.0 | 11.1.0 | Approved | Jun 13 | http://www.ttc.or.jp/j/document_list/free/3gpps2013/TS/TS-3GA-24.216(Rel11)v11.1.0.pdf |

5.3.2.12.76 TS 24.229

IP multimedia call control protocol based on Session Initiation Protocol (SIP) and Session Description Protocol (SDP); Stage 3

This specification document defines a call control protocol for use in the IP Multimedia (IM) Core Network (CN) subsystem based on the Session Initiation Protocol (SIP), and the associated Session Description Protocol (SDP).

| SDO (2) | Document No. | Version | Status | Issued date | Location (1) |
|------------------|----------------------------|---------|-----------|-------------|---|
| Release 5 | | | | | |
| ATIS | ATIS.3GPP.24.229V5260-2014 | 5.26.0 | Approved | May 14 | https://www.atis.org/docstore/default.aspx |
| CCSA | CCSA-TSD-TDD-24.229 | 5.25.0 | Published | Jun 12 | http://www.ccsa.org.cn/english/tc/files.php?docpath=/ITU-R/M.1457/M.1457-12/TDD |
| ETSI | ETSI TS 124 229 | 5.26.0 | Published | Mar 12 | http://www.etsi.org/deliver/etsi_ts/124200_124299/124229/05.26.00_60/ |
| TTC | TS-3GA-24.229(Rel5)v5.26.0 | 5.26.0 | Approved | Jun 12 | http://www.ttc.or.jp/j/document_list/free/3gpps2012/TS/TS-3GA-24.229(Rel5)v5.26.0.pdf |
| Release 6 | | | | | |
| ATIS | ATIS.3GPP.24.229V6290-2014 | 6.29.0 | Approved | May 14 | https://www.atis.org/docstore/default.aspx |
| CCSA | CCSA-TSD-TDD-24.229 | 6.28.0 | Published | Jun 12 | http://www.ccsa.org.cn/english/tc/files.php?docpath=/ITU-R/M.1457/M.1457-12/TDD |
| ETSI | ETSI TS 124 229 | 6.29.0 | Published | Mar 12 | http://www.etsi.org/deliver/etsi_ts/124200_124299/124229/06.29.00_60/ |
| TTC | TS-3GA-24.229(Rel6)v6.29.0 | 6.29.0 | Approved | Jun 12 | http://www.ttc.or.jp/j/document_list/free/3gpps2012/TS/TS-3GA-24.229(Rel6)v6.29.0.pdf |
| Release 7 | | | | | |
| ATIS | ATIS.3GPP.24.229V7300-2014 | 7.30.0 | Approved | May 14 | https://www.atis.org/docstore/default.aspx |

| | | | | | |
|-------------------|------------------------------|---------|-----------|--------|---|
| CCSA | CCSA-TSD-TDD-24.229 | 7.26.1 | Published | Jun 12 | http://www.ccsa.org.cn/english/tc/files.php?docpath=/ITU-R/M.1457/M.1457-12/TDD |
| ETSI | ETSI TS 124 229 | 7.30.0 | Published | Jan 13 | http://www.etsi.org/deliver/etsi_ts/124200_124299/124229/07.30.00_60/ |
| TTC | TS-3GA-24.229(Rel7)v7.30.0 | 7.30.0 | Approved | Jun 13 | http://www.ttc.or.jp/jp/document_list/free/3gpps2013/TS/TS-3GA-24.229(Rel7)v7.30.0.pdf |
| Release 8 | | | | | |
| ATIS | ATIS.3GPP.24.229V8230-2014 | 8.23.0 | Approved | May 14 | https://www.atis.org/docstore/default.aspx |
| CCSA | CCSA-TSD-TDD-24.229 | 8.18.0 | Published | Jun 12 | http://www.ccsa.org.cn/english/tc/files.php?docpath=/ITU-R/M.1457/M.1457-12/TDD |
| ETSI | ETSI TS 124 229 | 8.23.0 | Published | Apr 13 | http://www.etsi.org/deliver/etsi_ts/124200_124299/124229/08.23.00_60/ |
| TTC | TS-3GA-24.229(Rel8)v8.23.0 | 8.23.0 | Approved | Jun 13 | http://www.ttc.or.jp/jp/document_list/free/3gpps2013/TS/TS-3GA-24.229(Rel8)v8.23.0.pdf |
| Release 9 | | | | | |
| ATIS | ATIS.3GPP.24.229V9150-2014 | 9.15.0 | Approved | May 14 | https://www.atis.org/docstore/default.aspx |
| CCSA | CCSA-TSD-TDD-24.229 | 9.10.2 | Published | Jun 12 | http://www.ccsa.org.cn/english/tc/files.php?docpath=/ITU-R/M.1457/M.1457-12/TDD |
| ETSI | ETSI TS 124 229 | 9.15.0 | Published | Apr 13 | http://www.etsi.org/deliver/etsi_ts/124200_124299/124229/09.15.00_60/ |
| TTC | TS-3GA-24.229(Rel9)v9.15.0 | 9.15.0 | Approved | Jun 13 | http://www.ttc.or.jp/jp/document_list/free/3gpps2013/TS/TS-3GA-24.229(Rel9)v9.15.0.pdf |
| Release 10 | | | | | |
| ATIS | ATIS.3GPP.24.229V10110- | 10.11.0 | Approved | May 14 | https://www.atis.org/docstore/default.aspx |
| CCSA | CCSA-TSD-TDD-24.229 | 10.6.1 | Published | Jun 12 | http://www.ccsa.org.cn/english/tc/files.php?docpath=/ITU-R/M.1457/M.1457-12/TDD |
| ETSI | ETSI TS 124 229 | 10.11.0 | Published | Apr 13 | http://www.etsi.org/deliver/etsi_ts/124200_124299/124229/10.11.00_60/ |
| TTC | TS-3GA-24.229(Rel10)v10.11.0 | 10.11.0 | Approved | Jun 13 | http://www.ttc.or.jp/jp/document_list/free/3gpps2013/TS/TS-3GA-24.229(Rel10)v10.11.0.pdf |
| Release 11 | | | | | |
| ATIS | ATIS.3GPP.24.229V1170-2014 | 11.7.0 | Approved | May 14 | https://www.atis.org/docstore/default.aspx |
| CCSA | CCSA-TSD-TDD-24.229 | 11.12.0 | Published | Jun 14 | http://www.ccsa.org.cn/english/tc/files.php?docpath=/ITU-R/M.1457/M.1457-12/TDD |
| ETSI | ETSI TS 124 229 | 11.7.0 | Published | Apr 13 | http://www.etsi.org/deliver/etsi_ts/124200_124299/124229/11.07.00_60/ |
| TTC | TS-3GA-24.229(Rel11)v11.7.0 | 11.7.0 | Approved | Jun 13 | http://www.ttc.or.jp/jp/document_list/free/3gpps2013/TS/TS-3GA-24.229(Rel11)v11.7.0.pdf |

5.3.2.12.77 TS 24.234

3GPP system to Wireless Local Area Network (WLAN) interworking; WLAN User Equipment (WLAN UE) to network protocols; Stage 3

The document specifies the network selection, including authentication and access authorization using authentication, authorization and accounting (AAA) procedures used for the interworking of the 3GPP system and WLANs. In addition to these it also specifies the tunnel management procedures used for establishing an end-to-end tunnel from the WLAN UE to the 3GPP network via the Wu reference point. The document is applicable to the WLAN user equipment (UE) and the network. In this technical specification the network includes the WLAN and 3GPP network.

Furthermore, the document specifies procedures within I-WLAN necessary in order for IMS emergency calls to be supported when I-WLAN is used as the underlying access network. These involve both network selection as well as tunnel management procedures.

| SDO (2) | Document No. | Version | Status | Issued date | Location (1) |
|------------------|---------------------------|---------|-----------|-------------|---|
| Release 6 | | | | | |
| CCSA | CCSA-TSD-TDD-24.234 | 6.7.0 | Published | Jun 14 | http://www.ccsa.org.cn/english/tc/files.php?docpath=/ITU-R/M.1457/M.1457-12/TDD |
| TTC | TS-3GA-24.234(Rel6)v6.7.0 | 6.7.0 | Approved | Mar 07 | http://www.ttc.or.jp/j/document_list/free/TS/TS-3GA-24.234(Rel6)v6.7.0.pdf |
| Release 7 | | | | | |
| CCSA | CCSA-TSD-TDD-24.234 | 7.6.0 | Published | Jun 14 | http://www.ccsa.org.cn/english/tc/files.php?docpath=/ITU-R/M.1457/M.1457-12/TDD |
| TTC | TS-3GA-24.234(Rel7)v7.6.0 | 7.6.0 | Approved | Feb 09 | http://www.ttc.or.jp/j/document_list/free/3gpps2009/TS/TS-3GA-24.234(Rel7)v7.6.0.pdf |

Release 8

| | | | | | |
|------|---------------------------|-------|-----------|--------|---|
| CCSA | CCSA-TSD-TDD-24.234 | 8.6.0 | Published | Jun 14 | http://www.ccsa.org.cn/english/tc/files.php?docpath=/ITU-R/M.1457/M.1457-12/TDD |
| CCSA | CCSA-TSD-TDD-24.323 | 8.1.0 | Published | Jun 12 | http://www.ccsa.org.cn/english/tc/files.php?docpath=/ITU-R/M.1457/M.1457-12/TDD |
| TTC | TS-3GA-24.234(Rel8)v8.6.0 | 8.6.0 | Approved | Jun 11 | http://www.ttc.or.jp/j/document_list/free/3gpps2011/TS/TS-3GA-24.234(Rel8)v8.6.0.pdf |

Release 9

| | | | | | |
|------|---------------------------|-------|-----------|--------|---|
| CCSA | CCSA-TSD-TDD-24.323 | 9.0.0 | Published | Jun 12 | http://www.ccsa.org.cn/english/tc/files.php?docpath=/ITU-R/M.1457/M.1457-12/TDD |
| CCSA | CCSA-TSD-TDD-24.234 | 9.4.0 | Published | Jun 14 | http://www.ccsa.org.cn/english/tc/files.php?docpath=/ITU-R/M.1457/M.1457-12/TDD |
| TTC | TS-3GA-24.234(Rel9)v9.4.0 | 9.4.0 | Approved | Dec 11 | http://www.ttc.or.jp/j/document_list/free/3gpps2011/TS/TS-3GA-24.234(Rel9)v9.4.0.pdf |

Release 10

| | | | | | |
|------|-----------------------------|--------|-----------|--------|---|
| CCSA | CCSA-TSD-TDD-24.234 | 10.5.0 | Published | Jun 14 | http://www.ccsa.org.cn/english/tc/files.php?docpath=/ITU-R/M.1457/M.1457-12/TDD |
| CCSA | CCSA-TSD-TDD-24.323 | 10.0.0 | Published | Jun 12 | http://www.ccsa.org.cn/english/tc/files.php?docpath=/ITU-R/M.1457/M.1457-12/TDD |
| TTC | TS-3GA-24.234(Rel10)v10.4.0 | 10.4.0 | Approved | Feb 12 | http://www.ttc.or.jp/j/document_list/free/3gpps2012/TS/TS-3GA-24.234(Rel10)v10.4.0.pdf |

Release 11

| | | | | | |
|------|-----------------------------|--------|-----------|--------|---|
| ATIS | ATIS.3GPP.24.234V1130-2014 | 11.3.0 | Approved | May 14 | https://www.atis.org/docstore/default.aspx |
| CCSA | CCSA-TSD-TDD-24.234 | 11.4.0 | Published | Jun 14 | http://www.ccsa.org.cn/english/tc/files.php?docpath=/ITU-R/M.1457/M.1457-12/TDD |
| TTC | TS-3GA-24.234(Rel11)v11.3.0 | 11.3.0 | Approved | Jun 13 | http://www.ttc.or.jp/j/document_list/free/3gpps2013/TS/TS-3GA-24.234(Rel11)v11.3.0.pdf |

5.3.2.12.78 TS 24.235**3GPP System to Wireless Local Area Network (WLAN) interworking Management Object (MO)**

This document defines the 3GPP System to Wireless Local Area Network interworking Management Object (MO) for I-WLAN PLMN selection as specified in 3GPP TS 24.234. The 3GPP System to Wireless Local Area Network interworking Management Object consists of relevant parameters that can be managed for WLAN UE as specified in 3GPP TS 24.234.

| SDO (2) | Document No. | Version | Status | Issued date | Location (1) |
|-------------------|-----------------------------|---------|-----------|-------------|---|
| Release 10 | | | | | |
| TTC | TS-3GA-24.235(Rel10)v10.1.0 | 10.1.0 | Approved | Aug 11 | http://www.ttc.or.jp/j/document_list/free/3gpps2011/TS/TS-3GA-24.235(Rel10)v10.1.0.pdf |
| Release 11 | | | | | |
| ATIS | ATIS.3GPP.24.235V1110-2014 | 11.1.0 | Approved | May 14 | https://www.atis.org/docstore/default.aspx |
| CCSA | CCSA-TSD-TDD-24.235 | 11.1.0 | Published | Jun 14 | http://www.ccsa.org.cn/english/tc/files.php?docpath=/ITU-R/M.1457/M.1457-12/TDD |
| TTC | TS-3GA-24.235(Rel11)v11.1.0 | 11.1.0 | Approved | Jun 13 | http://www.ttc.or.jp/j/document_list/free/3gpps2013/TS/TS-3GA-24.235(Rel11)v11.1.0.pdf |

5.3.2.12.79 TS 24.237**IP Multimedia (IM) Core Network (CN) subsystem IP Multimedia Subsystem (IMS) service continuity; Stage 3**

This specification provides the protocol details for voice call continuity between the IP Multimedia (IM) Core Network (CN) subsystem based on the Session Initiation Protocol (SIP) and the Session Description Protocol (SDP) and the protocols of the 3GPP Circuit-Switched (CS) domain (CAP, MAP, ISUP, BICC and the NAS call control protocol for the CS access). Voice call continuity allows users to move between the CS domain and the IP Connectivity Access Network (e.g. WLAN interworking) with home IM CN subsystem functionality.

| SDO (2) | Document No. | Version | Status | Issued date | Location (1) |
|-------------------|------------------------------|---------|-----------|-------------|---|
| Release 8 | | | | | |
| ATIS | ATIS.3GPP.24.237V8120-2014 | 8.12.0 | Approved | May 14 | https://www.atis.org/docstore/default.aspx |
| CCSA | CCSA-TSD-TDD-24.237 | 8.10.0 | Published | Jun 12 | http://www.ccsa.org.cn/english/tc/files.php?docpath=/ITU-R/M.1457/M.1457-12/TDD |
| ETSI | ETSI TS 124 237 | 8.12.0 | Published | Jan 13 | http://www.etsi.org/deliver/etsi_ts/124200_124299/124237/08.12.00_60/ |
| TTC | TS-3GA-24.237(Rel8)v8.12.0 | 8.12.0 | Approved | Jun 13 | http://www.ttc.or.jp/jp/document_list/free/3gpps2013/TS/TS-3GA-24.237(Rel8)v8.12.0.pdf |
| Release 9 | | | | | |
| ATIS | ATIS.3GPP.24.237V9140-2014 | 9.14.0 | Approved | May 14 | https://www.atis.org/docstore/default.aspx |
| CCSA | CCSA-TSD-TDD-24.237 | 9.9.0 | Published | Jun 12 | http://www.ccsa.org.cn/english/tc/files.php?docpath=/ITU-R/M.1457/M.1457-12/TDD |
| ETSI | ETSI TS 124 237 | 9.14.0 | Published | Apr 13 | http://www.etsi.org/deliver/etsi_ts/124200_124299/124237/09.14.00_60/ |
| TTC | TS-3GA-24.237(Rel9)v9.14.0 | 9.14.0 | Approved | Jun 13 | http://www.ttc.or.jp/jp/document_list/free/3gpps2013/TS/TS-3GA-24.237(Rel9)v9.14.0.pdf |
| Release 10 | | | | | |
| ATIS | ATIS.3GPP.24.237V10100- | 10.10.0 | Approved | May 14 | https://www.atis.org/docstore/default.aspx |
| CCSA | CCSA-TSD-TDD-24.237 | 10.5.0 | Published | Jun 12 | http://www.ccsa.org.cn/english/tc/files.php?docpath=/ITU-R/M.1457/M.1457-12/TDD |
| ETSI | ETSI TS 124 237 | 10.10.0 | Published | Apr 13 | http://www.etsi.org/deliver/etsi_ts/124200_124299/124237/10.10.00_60/ |
| TTC | TS-3GA-24.237(Rel10)v10.10.0 | 10.10.0 | Approved | Jun 13 | http://www.ttc.or.jp/jp/document_list/free/3gpps2013/TS/TS-3GA-24.237(Rel10)v10.10.0.pdf |
| Release 11 | | | | | |
| ATIS | ATIS.3GPP.24.237V1160-2014 | 11.6.0 | Approved | May 14 | https://www.atis.org/docstore/default.aspx |
| CCSA | CCSA-TSD-TDD-24.237 | 11.11.0 | Published | Jun 14 | http://www.ccsa.org.cn/english/tc/files.php?docpath=/ITU-R/M.1457/M.1457-12/TDD |
| ETSI | ETSI TS 124 237 | 11.6.0 | Published | Apr 13 | http://www.etsi.org/deliver/etsi_ts/124200_124299/124237/11.06.00_60/ |
| TTC | TS-3GA-24.237(Rel11)v11.6.0 | 11.6.0 | Approved | Jun 13 | http://www.ttc.or.jp/jp/document_list/free/3gpps2013/TS/TS-3GA-24.237(Rel11)v11.6.0.pdf |

5.3.2.12.80 TS 24.238

Session Initiation Protocol (SIP) based user configuration; Stage 3

This document provides a Session Initiation Protocol (SIP) based protocol framework that serves as a means of user configuration of supplementary services in the IP Multimedia (IM) Core Network (CN) subsystem. The protocol framework relies upon the contents of the Request-URI in a SIP INVITE request to enable basic configuration of services without requiring use of the Ut interface.

| SDO (2) | Document No. | Version | Status | Issued date | Location (1) |
|-------------------|---------------------------|---------|-----------|-------------|---|
| Release 8 | | | | | |
| CCSA | CCSA-TSD-TDD-24.238 | 8.2.0 | Published | Jun 12 | http://www.ccsa.org.cn/english/tc/files.php?docpath=/ITU-R/M.1457/M.1457-12/TDD |
| ETSI | ETSI TS 124 238 | 8.2.0 | Published | Jan 10 | http://www.etsi.org/deliver/etsi_ts/124200_124299/124238/08.02.00_60/ |
| TTC | TS-3GA-24.238(Rel8)v8.2.0 | 8.2.0 | Approved | Apr 10 | http://www.ttc.or.jp/jp/document_list/free/3gpps2010/TS/TS-3GA-24.238(Rel8)v8.2.0.pdf |
| Release 9 | | | | | |
| ATIS | ATIS.3GPP.24.238V900-2010 | 9.0.0 | Approved | Jul 10 | https://www.atis.org/docstore/default.aspx |
| CCSA | CCSA-TSD-TDD-24.238 | 9.0.0 | Published | Jun 12 | http://www.ccsa.org.cn/english/tc/files.php?docpath=/ITU-R/M.1457/M.1457-12/TDD |
| ETSI | ETSI TS 124 238 | 9.0.0 | Published | Jan 10 | http://www.etsi.org/deliver/etsi_ts/124200_124299/124238/09.00.00_60/ |
| TTC | TS-3GA-24.238(Rel9)v9.0.0 | 9.0.0 | Approved | Jul 10 | http://www.ttc.or.jp/jp/document_list/free/3gpps2010/TS/TS-3GA-24.238(Rel9)v9.0.0.pdf |
| Release 10 | | | | | |

| | | | | | |
|------|-----------------------------|--------|-----------|--------|---|
| ATIS | ATIS.3GPP.24.238V1000-2012 | 10.0.0 | Approved | Jul 12 | https://www.atis.org/docstore/default.aspx |
| CCSA | CCSA-TSD-TDD-24.238 | 10.0.0 | Published | Jun 12 | http://www.ccsa.org.cn/english/tc/files.php?docpath=/ITU-R/M.1457/M.1457-12/TDD |
| ETSI | ETSI TS 124 238 | 10.0.0 | Published | Mar 11 | http://www.etsi.org/deliver/etsi_ts/124200_124299/124238/10.00.00_60/ |
| TTC | TS-3GA-24.238(Rel10)v10.0.0 | 10.0.0 | Approved | Jun 11 | http://www.ttc.or.jp/j/document_list/free/3gpps2011/TS/TS-3GA-24.238(Rel10)v10.0.0.pdf |

Release 11

| | | | | | |
|------|-----------------------------|--------|-----------|--------|---|
| ATIS | ATIS.3GPP.24.238V1120-2014 | 11.2.0 | Approved | May 14 | https://www.atis.org/docstore/default.aspx |
| CCSA | CCSA-TSD-TDD-24.238 | 11.2.0 | Published | Jun 14 | http://www.ccsa.org.cn/english/tc/files.php?docpath=/ITU-R/M.1457/M.1457-12/TDD |
| ETSI | ETSI TS 124 238 | 11.2.0 | Published | Apr 13 | http://www.etsi.org/deliver/etsi_ts/124200_124299/124238/11.02.00_60/ |
| TTC | TS-3GA-24.238(Rel11)v11.2.0 | 11.2.0 | Approved | Jun 13 | http://www.ttc.or.jp/j/document_list/free/3gpps2013/TS/TS-3GA-24.238(Rel11)v11.2.0.pdf |

5.3.2.12.81 TS 24.239**Flexible Alerting (FA) using IP Multimedia (IM) Core Network (CN) subsystem; Protocol specification**

This document provides the protocol details for the Flexible Alerting supplementary service in the IP Multimedia (IM) Core Network (CN) subsystem. Flexible Alerting (FA) causes a call to a pilot identity to branch the call into several legs to alert several termination addresses (group members) simultaneously. The first leg to be answered is connected to the calling party. The other call legs are abandoned. The document is applicable to User Equipment (UE) and Application Servers (AS) which are intended to support the FA supplementary service.

| SDO (2) | Document No. | Version | Status | Issued date | Location (1) |
|-------------------|-----------------------------|---------|-----------|-------------|---|
| Release 8 | | | | | |
| CCSA | CCSA-TSD-TDD-24.239 | 8.2.0 | Published | Jun 14 | http://www.ccsa.org.cn/english/tc/files.php?docpath=/ITU-R/M.1457/M.1457-12/TDD |
| TTC | TS-3GA-24.239(Rel8)v8.2.0 | 8.2.0 | Approved | Apr 10 | http://www.ttc.or.jp/j/document_list/free/3gpps2010/TS/TS-3GA-24.239(Rel8)v8.2.0.pdf |
| Release 9 | | | | | |
| CCSA | CCSA-TSD-TDD-24.239 | 9.0.0 | Published | Jun 14 | http://www.ccsa.org.cn/english/tc/files.php?docpath=/ITU-R/M.1457/M.1457-12/TDD |
| TTC | TS-3GA-24.239(Rel9)v9.0.0 | 9.0.0 | Approved | Jul 10 | http://www.ttc.or.jp/j/document_list/free/3gpps2010/TS/TS-3GA-24.239(Rel9)v9.0.0.pdf |
| Release 10 | | | | | |
| CCSA | CCSA-TSD-TDD-24.239 | 10.0.0 | Published | Jun 14 | http://www.ccsa.org.cn/english/tc/files.php?docpath=/ITU-R/M.1457/M.1457-12/TDD |
| TTC | TS-3GA-24.239(Rel10)v10.0.0 | 10.0.0 | Approved | Jun 11 | http://www.ttc.or.jp/j/document_list/free/3gpps2011/TS/TS-3GA-24.239(Rel10)v10.0.0.pdf |
| Release 11 | | | | | |
| ATIS | ATIS.3GPP.24.238V1100-2014 | 11.0.0 | Approved | May 14 | https://www.atis.org/docstore/default.aspx |
| CCSA | CCSA-TSD-TDD-24.239 | 11.0.0 | Published | Jun 14 | http://www.ccsa.org.cn/english/tc/files.php?docpath=/ITU-R/M.1457/M.1457-12/TDD |
| TTC | TS-3GA-24.239(Rel11)v11.0.0 | 11.0.0 | Approved | Jun 13 | http://www.ttc.or.jp/j/document_list/free/3gpps2013/TS/TS-3GA-24.239(Rel11)v11.0.0.pdf |

5.3.2.12.82 TS 24.247**Messaging service using the IP Multimedia (IM) Core Network (CN) subsystem; Stage 3**

This specification provides the protocol details for the messaging service within the IP Multimedia CN Subsystem (IMS) based on the Session Initiation Protocol (SIP), the Session Description Protocol (SDP) and, the Message Session Relay Protocol (MSRP).

| SDO (2) | Document No. | Version | Status | Issued date | Location (1) |
|---------|--------------|---------|--------|-------------|--------------|
|---------|--------------|---------|--------|-------------|--------------|

Release 6

| | | | | | |
|------|----------------------------|--------|-----------|--------|---|
| ATIS | ATIS.3GPP.24.247V6100-2009 | 6.10.0 | Approved | Jul 09 | https://www.atis.org/docstore/default.aspx |
| CCSA | CCSA-TSD-TDD-24.247 | 6.10.0 | Published | Jan 09 | http://www.ccsa.org.cn/english/tc/files.php?docpath=/ITU-R/M.1457/M.1457-12/TDD |
| ETSI | ETSI TS 124 247 | 6.10.0 | Published | Jan 09 | http://www.etsi.org/deliver/etsi_ts/124200_124299/124247/06.10.00_60/ |
| TTC | TS-3GA-24.247(Rel6)v6.10.0 | 6.10.0 | Approved | Feb 09 | http://www.ttc.or.jp/j/document_list/free/3gpps2009/TS/TS-3GA-24.247(Rel6)v6.10.0.pdf |

Release 7

| | | | | | |
|------|---------------------------|-------|-----------|--------|---|
| ATIS | ATIS.3GPP.24.247V750-2014 | 7.5.0 | Approved | May 14 | https://www.atis.org/docstore/default.aspx |
| CCSA | CCSA-TSD-TDD-24.247 | 7.5.0 | Published | Jun 12 | http://www.ccsa.org.cn/english/tc/files.php?docpath=/ITU-R/M.1457/M.1457-12/TDD |
| ETSI | ETSI TS 124 247 | 7.5.0 | Published | Jan 11 | http://www.etsi.org/deliver/etsi_ts/124200_124299/124247/07.05.00_60/ |
| TTC | TS-3GA-24.247(Rel7)v7.5.0 | 7.5.0 | Approved | Apr 11 | http://www.ttc.or.jp/j/document_list/free/3gpps2011/TS/TS-3GA-24.247(Rel7)v7.5.0.pdf |

Release 8

| | | | | | |
|------|----------------------------|--------|-----------|--------|---|
| ATIS | ATIS.3GPP.24.247V8110-2014 | 8.11.0 | Approved | May 14 | https://www.atis.org/docstore/default.aspx |
| CCSA | CCSA-TSD-TDD-24.247 | 8.9.0 | Published | Jun 12 | http://www.ccsa.org.cn/english/tc/files.php?docpath=/ITU-R/M.1457/M.1457-12/TDD |
| ETSI | ETSI TS 124 247 | 8.11.0 | Published | Jan 13 | http://www.etsi.org/deliver/etsi_ts/124200_124299/124247/08.11.00_60/ |
| TTC | TS-3GA-24.247(Rel8)v8.11.0 | 8.11.0 | Approved | Jun 13 | http://www.ttc.or.jp/j/document_list/free/3gpps2013/TS/TS-3GA-24.247(Rel8)v8.11.0.pdf |

Release 9

| | | | | | |
|------|---------------------------|-------|-----------|--------|---|
| ATIS | ATIS.3GPP.24.247V980-2014 | 9.8.0 | Approved | May 14 | https://www.atis.org/docstore/default.aspx |
| CCSA | CCSA-TSD-TDD-24.247 | 9.6.0 | Published | Jun 12 | http://www.ccsa.org.cn/english/tc/files.php?docpath=/ITU-R/M.1457/M.1457-12/TDD |
| ETSI | ETSI TS 124 247 | 9.8.0 | Published | Jan 13 | http://www.etsi.org/deliver/etsi_ts/124200_124299/124247/09.08.00_60/ |
| TTC | TS-3GA-24.247(Rel9)v9.8.0 | 9.8.0 | Approved | Jun 13 | http://www.ttc.or.jp/j/document_list/free/3gpps2013/TS/TS-3GA-24.247(Rel9)v9.8.0.pdf |

Release 10

| | | | | | |
|------|-----------------------------|--------|-----------|--------|---|
| ATIS | ATIS.3GPP.24.247V1050-2014 | 10.5.0 | Approved | May 14 | https://www.atis.org/docstore/default.aspx |
| CCSA | CCSA-TSD-TDD-24.247 | 10.3.0 | Published | Jun 12 | http://www.ccsa.org.cn/english/tc/files.php?docpath=/ITU-R/M.1457/M.1457-12/TDD |
| ETSI | ETSI TS 124 247 | 10.5.0 | Published | Jan 13 | http://www.etsi.org/deliver/etsi_ts/124200_124299/124247/10.05.00_60/ |
| TTC | TS-3GA-24.247(Rel10)v10.5.0 | 10.5.0 | Approved | Jun 13 | http://www.ttc.or.jp/j/document_list/free/3gpps2013/TS/TS-3GA-24.247(Rel10)v10.5.0.pdf |

Release 11

| | | | | | |
|------|-----------------------------|--------|-----------|--------|---|
| ATIS | ATIS.3GPP.24.247V1120-2014 | 11.2.0 | Approved | May 14 | https://www.atis.org/docstore/default.aspx |
| CCSA | CCSA-TSD-TDD-24.247 | 11.2.0 | Published | Jun 14 | http://www.ccsa.org.cn/english/tc/files.php?docpath=/ITU-R/M.1457/M.1457-12/TDD |
| ETSI | ETSI TS 124 247 | 11.2.0 | Published | Jan 13 | http://www.etsi.org/deliver/etsi_ts/124200_124299/124247/11.02.00_60/ |
| TTC | TS-3GA-24.247(Rel11)v11.2.0 | 11.2.0 | Approved | Jun 13 | http://www.ttc.or.jp/j/document_list/free/3gpps2013/TS/TS-3GA-24.247(Rel11)v11.2.0.pdf |

5.3.2.12.83 TS 24.259**Personal Network Management (PNM); Stage 3**

Personal Network Management (PNM) is a home network-based application and provides the home network-based management of Personal Network (PN) consisting of multiple devices belonging to a single user, as described in 3GPP TS 22.259 and 3GPP TS 23.259. This document provides the protocol details for enabling Personal Network management (PNM) services in the IP Multimedia (IM) Core Network (CN) subsystem based on the protocols of

XML. Configuration Access Protocol (XCAP), Session Initiation Protocol (SIP) and the Session Description Protocol (SDP). The document provides the protocol details for enabling Personal Network management (PNM) services in Circuit Switched (CS) domain based on the protocols of CAP, MAP, ISUP, USSD and BICC.

| SDO (2) | Document No. | Version | Status | Issued date | Location (1) |
|-------------------|-----------------------------|---------|-----------|-------------|---|
| Release 8 | | | | | |
| ATIS | ATIS.3GPP.24.259V820-2010 | 8.2.0 | Approved | Jul 10 | https://www.atis.org/docstore/default.aspx |
| CCSA | CCSA-TSD-TDD-24.259 | 8.2.0 | Published | Mar 10 | http://www.ccsa.org.cn/english/tc/files.php?docpath=/ITU-R/M.1457/M.1457-12/TDD |
| ETSI | ETSI TS 124 259 | 8.2.0 | Published | Jun 09 | http://www.etsi.org/deliver/etsi_ts/124200_124299/124259/08.02.00_60/ |
| TTC | TS-3GA-24.259(Rel8)v8.2.0 | 8.2.0 | Approved | Oct 09 | http://www.ttc.or.jp/j/document_list/free/3gpps2009/TS/TS-3GA-24.259(Rel8)v8.2.0.pdf |
| Release 9 | | | | | |
| ATIS | ATIS.3GPP.24.259V970-2014 | 9.7.0 | Approved | May 14 | https://www.atis.org/docstore/default.aspx |
| CCSA | CCSA-TSD-TDD-24.259 | 9.5.0 | Published | Jun 12 | http://www.ccsa.org.cn/english/tc/files.php?docpath=/ITU-R/M.1457/M.1457-12/TDD |
| ETSI | ETSI TS 124 259 | 9.7.0 | Published | Jan 13 | http://www.etsi.org/deliver/etsi_ts/124200_124299/124259/09.07.00_60/ |
| TTC | TS-3GA-24.259(Rel9)v9.7.0 | 9.7.0 | Approved | Jun 13 | http://www.ttc.or.jp/jp/document_list/free/3gpps2013/TS/TS-3GA-24.259(Rel9)v9.7.0.pdf |
| Release 10 | | | | | |
| ATIS | ATIS.3GPP.24.259V1040-2014 | 10.4.0 | Approved | May 14 | https://www.atis.org/docstore/default.aspx |
| CCSA | CCSA-TSD-TDD-24.259 | 10.2.0 | Published | Jun 12 | http://www.ccsa.org.cn/english/tc/files.php?docpath=/ITU-R/M.1457/M.1457-12/TDD |
| ETSI | ETSI TS 124 259 | 10.4.0 | Published | Jan 13 | http://www.etsi.org/deliver/etsi_ts/124200_124299/124259/10.04.00_60/ |
| TTC | TS-3GA-24.259(Rel10)v10.4.0 | 10.4.0 | Approved | Jun 13 | http://www.ttc.or.jp/jp/document_list/free/3gpps2013/TS/TS-3GA-24.259(Rel10)v10.4.0.pdf |
| Release 11 | | | | | |
| ATIS | ATIS.3GPP.24.259V1110-2014 | 11.1.0 | Approved | May 14 | https://www.atis.org/docstore/default.aspx |
| CCSA | CCSA-TSD-TDD-24.259 | 11.4.0 | Published | Jun 14 | http://www.ccsa.org.cn/english/tc/files.php?docpath=/ITU-R/M.1457/M.1457-12/TDD |
| ETSI | ETSI TS 124 259 | 11.1.0 | Published | Jan 13 | http://www.etsi.org/deliver/etsi_ts/124200_124299/124259/11.01.00_60/ |
| TTC | TS-3GA-24.259(Rel11)v11.1.0 | 11.1.0 | Approved | Jun 13 | http://www.ttc.or.jp/jp/document_list/free/3gpps2013/TS/TS-3GA-24.259(Rel11)v11.1.0.pdf |

5.3.2.12.84 TS 24.279

Combining Circuit Switched (CS) and IP Multimedia Subsystem (IMS) services; Stage 3

This specification provides the technical realization for the combination of Circuit Switched calls and IM sessions when using them simultaneously between the same two users. It also describes the use of CS and IM services in combination, using the existing procedures that have been defined for CS and IMS. It includes the necessary function as adding an IM session to an ongoing CS call, adding a CS call to an ongoing IM session, supplementary services as they relate to CSICS and supporting capability exchange.

| SDO (2) | Document No. | Version | Status | Issued date | Location (1) |
|------------------|---------------------------|---------|-----------|-------------|---|
| Release 7 | | | | | |
| ATIS | ATIS.3GPP.24.279V770-2008 | 7.7.0 | Approved | Oct 08 | https://www.atis.org/docstore/default.aspx |
| CCSA | CCSA-TSD-TDD-24.279 | 7.7.0 | Published | Jan 08 | http://www.ccsa.org.cn/english/tc/files.php?docpath=/ITU-R/M.1457/M.1457-12/TDD |
| ETSI | ETSI TS 124 279 | 7.7.0 | Published | Jan 08 | http://www.etsi.org/deliver/etsi_ts/124200_124299/124279/07.07.00_60/ |

| | | | | | |
|-------------------|-----------------------------|--------|-----------|--------|---|
| TTC | TS-3GA-24.279(Rel7)v7.7.0 | 7.7.0 | Approved | Feb 09 | http://www.ttc.or.jp/j/document_list/free/3gpps2009/TS/TS-3GA-24.279(Rel7)v7.7.0.pdf |
| Release 8 | | | | | |
| ATIS | ATIS.3GPP.24.279V820-2010 | 8.2.0 | Approved | Jul 10 | https://www.atis.org/docstore/default.aspx |
| CCSA | CCSA-TSD-TDD-24.279 | 8.2.0 | Published | Mar 10 | http://www.ccsa.org.cn/english/tc/files.php?docpath=/ITU-R/M.1457/M.1457-12/DS/ |
| ETSI | ETSI TS 124 279 | 8.2.0 | Published | Jan 10 | http://www.etsi.org/deliver/etsi_ts/124200_124299/124279/08.02.00_60/ |
| TTC | TS-3GA-24.279(Rel8)v8.2.0 | 8.2.0 | Approved | Apr 10 | http://www.ttc.or.jp/j/document_list/free/3gpps2010/TS/TS-3GA-24.279(Rel8)v8.2.0.pdf |
| Release 9 | | | | | |
| ATIS | ATIS.3GPP.24.279V900-2010 | 9.0.0 | Approved | Jul 10 | https://www.atis.org/docstore/default.aspx |
| CCSA | CCSA-TSD-TDD-24.279 | 9.0.0 | Published | Mar 10 | http://www.ccsa.org.cn/english/tc/files.php?docpath=/ITU-R/M.1457/M.1457-12/TDD |
| ETSI | ETSI TS 124 279 | 9.0.0 | Published | Jan 10 | http://www.etsi.org/deliver/etsi_ts/124200_124299/124279/09.00.00_60/ |
| TTC | TS-3GA-24.279(Rel9)v9.0.0 | 9.0.0 | Approved | Jul 10 | http://www.ttc.or.jp/j/document_list/free/3gpps2010/TS/TS-3GA-24.279(Rel9)v9.0.0.pdf |
| Release 10 | | | | | |
| ATIS | ATIS.3GPP.24.279V1000-2012 | 10.0.0 | Approved | Jul 12 | https://www.atis.org/docstore/default.aspx |
| CCSA | CCSA-TSD-TDD-24.279 | 10.0.0 | Published | Jun 12 | http://www.ccsa.org.cn/english/tc/files.php?docpath=/ITU-R/M.1457/M.1457-12/TDD |
| ETSI | ETSI TS 124 279 | 10.0.0 | Published | Mar 11 | http://www.etsi.org/deliver/etsi_ts/124200_124299/124279/10.00.00_60/ |
| TTC | TS-3GA-24.279(Rel10)v10.0.0 | 10.0.0 | Approved | Jun 11 | http://www.ttc.or.jp/j/document_list/free/3gpps2011/TS/TS-3GA-24.279(Rel10)v10.0.0.pdf |
| Release 11 | | | | | |
| ATIS | ATIS.3GPP.24.279V1100-2014 | 11.0.0 | Approved | May 14 | https://www.atis.org/docstore/default.aspx |
| CCSA | CCSA-TSD-DS-24.279 | 11.1.0 | Published | Jun 14 | http://www.ccsa.org.cn/english/tc/files.php?docpath=/ITU-R/M.1457/M.1457-12/TDD |
| ETSI | ETSI TS 124 279 | 11.0.0 | Published | Oct 12 | http://www.etsi.org/deliver/etsi_ts/124200_124299/124279/11.00.00_60/ |
| TTC | TS-3GA-24.279(Rel11)v11.0.0 | 11.0.0 | Approved | Jun 13 | http://www.ttc.or.jp/j/document_list/free/3gpps2013/TS/TS-3GA-24.279(Rel11)v11.0.0.pdf |

5.3.2.12.85 TS 24.285

Allowed Closed Subscriber Group (CSG) list; Management Object (MO)

This document specifies an Allowed Closed Subscriber Group (CSG) List Management Object (MO). The Allowed CSG List MO is compatible with the OMA Device Management (DM) protocol specifications, version 1.2 and upwards, and is defined using the OMA DM Device Description Framework (DDF) as described in the Enabler Release Definition OMA-ERELD-DM-V1_2. The Allowed CSG List MO consists of relevant parameters for that can be used by the UE to select the appropriate CSG cell based on its subscription. The Allowed CSG List MO defines the relevant parameters related to the Allowed CSG List and to the Operator CSG List. The usage of the Allowed CSG List for in the idle mode process and the mobility management procedure is defined in 3GPP TS 23.122, 3GPP TS 24.008 and 3GPP TS 24.301.

| SDO (2) | Document No. | Version | Status | Issued date | Location (1) |
|------------------|---------------------------|---------|-----------|-------------|---|
| Release 8 | | | | | |
| CCSA | CCSA-TSD-TDD-24.285 | 8.5.0 | Published | Jun 12 | http://www.ccsa.org.cn/english/tc/files.php?docpath=/ITU-R/M.1457/M.1457-12/TDD |
| ETSI | ETSI TS 124 285 | 8.5.0 | Published | Oct 10 | http://www.etsi.org/deliver/etsi_ts/124200_124299/124285/08.05.00_60/ |
| TTC | TS-3GA-24.285(Rel8)v8.5.0 | 8.5.0 | Approved | Dec 10 | http://www.ttc.or.jp/j/document_list/free/3gpps2010/TS/TS-3GA-24.285(Rel8)v8.5.0.pdf |
| Release 9 | | | | | |
| ATIS | ATIS.3GPP.24.285V940-2012 | 9.4.0 | Approved | Jul 12 | https://www.atis.org/docstore/default.aspx |
| CCSA | CCSA-TSD-TDD-24.285 | 9.4.0 | Published | Jun 12 | http://www.ccsa.org.cn/english/tc/files.php?docpath=/ITU-R/M.1457/M.1457-12/TDD |
| ETSI | ETSI TS 124 285 | 9.4.0 | Published | Jan 11 | http://www.etsi.org/deliver/etsi_ts/124200_124299/124285/09.04.00_60/ |

| | | | | | |
|-------------------|-----------------------------|--------|-----------|--------|---|
| TTC | TS-3GA-24.285(Rel9)v9.4.0 | 9.4.0 | Approved | Apr 11 | http://www.ttc.or.jp/j/document_list/free/3gpps2011/TS/TS-3GA-24.285(Rel9)v9.4.0.pdf |
| Release 10 | | | | | |
| ATIS | ATIS.3GPP.24.285V1020-2012 | 10.2.0 | Approved | Jul 12 | https://www.atis.org/docstore/default.aspx |
| CCSA | CCSA-TSD-TDD-24.285 | 10.2.0 | Published | Jun 12 | http://www.ccsa.org.cn/english/tc/files.php?docpath=/ITU-R/M.1457/M.1457-12/TDD |
| ETSI | ETSI TS 124 285 | 10.2.0 | Published | May 11 | http://www.etsi.org/deliver/etsi_ts/124200_124299/124285/10.02.00_60/ |
| TTC | TS-3GA-24.285(Rel10)v10.2.0 | 10.2.0 | Approved | Jun 11 | http://www.ttc.or.jp/j/document_list/free/3gpps2011/TS/TS-3GA-24.285(Rel10)v10.2.0.pdf |
| Release 11 | | | | | |
| ATIS | ATIS.3GPP.24.285V1100-2014 | 11.0.0 | Approved | May 14 | https://www.atis.org/docstore/default.aspx |
| CCSA | CCSA-TSD-TDD-24.285 | 11.0.0 | Published | Jun 14 | http://www.ccsa.org.cn/english/tc/files.php?docpath=/ITU-R/M.1457/M.1457-12/TDD |
| ETSI | ETSI TS 124 285 | 11.0.0 | Published | Oct 12 | http://www.etsi.org/deliver/etsi_ts/124200_124299/124285/11.00.00_60/ |
| TTC | TS-3GA-24.285(Rel11)v11.0.0 | 11.0.0 | Approved | Jun 13 | http://www.ttc.or.jp/j/document_list/free/3gpps2013/TS/TS-3GA-24.285(Rel11)v11.0.0.pdf |

5.3.2.12.86 TS 24.286

IP Multimedia (IM) Core Network (CN) subsystem Centralized Services (ICS); Management Object (MO)

This document defines the IMS Centralised Services Management Object (MO). The management object is compatible with OMA Device Management protocol specifications, version 1.2 and upwards, and is defined using the OMA DM Device Description Framework as described in the Enabler Release Definition OMA-ERELED_DM-V1_2. The IMS Centralised Services Management Object consists of relevant parameters that can be managed for ICS.

| SDO (2) | Document No. | Version | Status | Issued date | Location (1) |
|-------------------|-----------------------------|---------|-----------|-------------|---|
| Release 8 | | | | | |
| CCSA | CCSA-TSD-TDD-24.286 | 8.1.0 | Published | Jun 12 | http://www.ccsa.org.cn/english/tc/files.php?docpath=/ITU-R/M.1457/M.1457-12/TDD |
| ETSI | ETSI TS 124 286 | 8.1.0 | Published | Apr 11 | http://www.etsi.org/deliver/etsi_ts/124200_124299/124286/08.01.00_60/ |
| TTC | TS-3GA-24.286(Rel8)v8.1.0 | 8.1.0 | Approved | Jun 11 | http://www.ttc.or.jp/j/document_list/free/3gpps2011/TS/TS-3GA-24.286(Rel8)v8.1.0.pdf |
| Release 9 | | | | | |
| ATIS | ATIS.3GPP.24.286V920-2012 | 9.2.0 | Approved | Jul 12 | https://www.atis.org/docstore/default.aspx |
| CCSA | CCSA-TSD-TDD-24.286 | 9.2.0 | Published | Jun 12 | http://www.ccsa.org.cn/english/tc/files.php?docpath=/ITU-R/M.1457/M.1457-12/TDD |
| ETSI | ETSI TS 124 286 | 9.2.0 | Published | Apr 11 | http://www.etsi.org/deliver/etsi_ts/124200_124299/124286/09.02.00_60/ |
| TTC | TS-3GA-24.286(Rel9)v9.2.0 | 9.2.0 | Approved | Jun 11 | http://www.ttc.or.jp/j/document_list/free/3gpps2011/TS/TS-3GA-24.286(Rel9)v9.2.0.pdf |
| Release 10 | | | | | |
| ATIS | ATIS.3GPP.24.286V1000-2012 | 10.0.0 | Approved | Jul 12 | https://www.atis.org/docstore/default.aspx |
| CCSA | CCSA-TSD-TDD-24.286 | 10.0.0 | Published | Jun 12 | http://www.ccsa.org.cn/english/tc/files.php?docpath=/ITU-R/M.1457/M.1457-12/TDD |
| ETSI | ETSI TS 124 286 | 10.0.0 | Published | Apr 11 | http://www.etsi.org/deliver/etsi_ts/124200_124299/124286/10.00.00_60/ |
| TTC | TS-3GA-24.286(Rel10)v10.0.0 | 10.0.0 | Approved | Jun 11 | http://www.ttc.or.jp/j/document_list/free/3gpps2011/TS/TS-3GA-24.286(Rel10)v10.0.0.pdf |
| Release 11 | | | | | |
| ATIS | ATIS.3GPP.24.286V1100-2014 | 11.0.0 | Approved | May 14 | https://www.atis.org/docstore/default.aspx |
| CCSA | CCSA-TSD-TDD-24.286 | 11.0.0 | Published | Jun 14 | http://www.ccsa.org.cn/english/tc/files.php?docpath=/ITU-R/M.1457/M.1457-12/TDD |
| ETSI | ETSI TS 124 286 | 11.0.0 | Published | Oct 12 | http://www.etsi.org/deliver/etsi_ts/124200_124299/124286/11.00.00_60/ |
| TTC | TS-3GA-24.286(Rel11)v11.0.0 | 11.0.0 | Approved | Jun 13 | http://www.ttc.or.jp/j/document_list/free/3gpps2013/TS/TS-3GA-24.286(Rel11)v11.0.0.pdf |

5.3.2.12.87 TS 24.292

IP Multimedia (IM) Core Network (CN) subsystem Centralized Services (ICS); Stage 3

IP Multimedia (IM) Core Network (CN) subsystem centralized services (ICS) allow for the delivery of consistent IMS services to the user regardless of the attached access type (e.g. CS domain access or IP-CAN). This document provides the protocol details for the realization of ICS based on the Session Initiation protocol (SIP), the Session Description Protocol (SDP), the I1 protocol, and the protocols of the 3GPP Circuit-Switched (CS) domain (e.g. CAP, MAP, ISUP, BICC and the NAS call control protocol for the CS access).

| SDO (2) | Document No. | Version | Status | Issued date | Location (1) |
|-------------------|------------------------------|---------|-----------|-------------|---|
| Release 8 | | | | | |
| ATIS | ATIS.3GPP.24.292V8110-2012 | 8.11.0 | Approved | Jul 12 | https://www.atis.org/docstore/default.aspx |
| CCSA | CCSA-TSD-TDD-24.292 | 8.12.0 | Published | Jun 12 | http://www.ccsa.org.cn/english/tc/files.php?docpath=/ITU-R/M.1457/M.1457-12/TDD |
| ETSI | ETSI TS 124 292 | 8.16.0 | Published | Apr 13 | http://www.etsi.org/deliver/etsi_ts/124200_124299/124292/08.16.00_60/ |
| TTC | TS-3GA-24.292(Rel8)v8.16.0 | 8.16.0 | Approved | Jun 13 | http://www.ttc.or.jp/jp/document_list/free/3gpps2013/TS/TS-3GA-24.292(Rel8)v8.16.0.pdf |
| Release 9 | | | | | |
| ATIS | ATIS.3GPP.24.292V9140-2014 | 9.14.0 | Approved | May 14 | https://www.atis.org/docstore/default.aspx |
| CCSA | CCSA-TSD-TDD-24.292 | 9.10.0 | Published | Jun 12 | http://www.ccsa.org.cn/english/tc/files.php?docpath=/ITU-R/M.1457/M.1457-12/TDD |
| ETSI | ETSI TS 124 292 | 9.14.0 | Published | Apr 13 | http://www.etsi.org/deliver/etsi_ts/124200_124299/124292/09.14.00_60/ |
| TTC | TS-3GA-24.292(Rel9)v9.14.0 | 9.14.0 | Approved | Jun 13 | http://www.ttc.or.jp/jp/document_list/free/3gpps2013/TS/TS-3GA-24.292(Rel9)v9.14.0.pdf |
| Release 10 | | | | | |
| ATIS | ATIS.3GPP.24.292V10100- | 10.10.0 | Approved | May 14 | https://www.atis.org/docstore/default.aspx |
| CCSA | CCSA-TSD-TDD-24.292 | 10.6.0 | Published | Jun 12 | http://www.ccsa.org.cn/english/tc/files.php?docpath=/ITU-R/M.1457/M.1457-12/TDD |
| ETSI | ETSI TS 124 292 | 10.10.0 | Published | Apr 13 | http://www.etsi.org/deliver/etsi_ts/124200_124299/124292/10.10.00_60/ |
| TTC | TS-3GA-24.292(Rel10)v10.10.0 | 10.10.0 | Approved | Jun 13 | http://www.ttc.or.jp/jp/document_list/free/3gpps2013/TS/TS-3GA-24.292(Rel10)v10.10.0.pdf |
| Release 11 | | | | | |
| ATIS | ATIS.3GPP.24.292V1140-2014 | 11.4.0 | Approved | May 14 | https://www.atis.org/docstore/default.aspx |
| CCSA | CCSA-TSD-TDD-24.292 | 11.8.0 | Published | Jun 14 | http://www.ccsa.org.cn/english/tc/files.php?docpath=/ITU-R/M.1457/M.1457-12/TDD |
| ETSI | ETSI TS 124 292 | 11.4.0 | Published | Apr 13 | http://www.etsi.org/deliver/etsi_ts/124200_124299/124292/11.04.00_60/ |
| TTC | TS-3GA-24.292(Rel11)v11.4.0 | 11.4.0 | Approved | Jun 13 | http://www.ttc.or.jp/jp/document_list/free/3gpps2013/TS/TS-3GA-24.292(Rel11)v11.4.0.pdf |

5.3.2.12.88 TS 24.294

IP Multimedia Subsystem (IMS) Centralized Services (ICS) protocol via I1 interface

This document describes the I1 interface between IMS Centralized Services (ICS) UE and Service Centralization and Continuity (SCC) Application Server (AS). This specification defines a new application layer protocol over I1 interface, specifies the interaction between the ICS UE and the SCC AS including session control procedures and supplementary services control procedures. The protocol is intended to be independent of the transport protocol used so it can be applied to a number of technologies that need different transport protocols. The overall ICS architecture is specified in 3GPP TS 23.292

| SDO (2) | Document No. | Version | Status | Issued date | Location (1) |
|------------------|---------------------------|---------|-----------|-------------|---|
| Release 9 | | | | | |
| ATIS | ATIS.3GPP.24.294V960-2012 | 9.6.0 | Approved | Jul 12 | https://www.atis.org/docstore/default.aspx |
| CCSA | CCSA-TSD-TDD-24.294 | 9.6.0 | Published | Jun 12 | http://www.ccsa.org.cn/english/tc/files.php?docpath=/ITU-R/M.1457/M.1457-12/TDD |
| ETSI | ETSI TS 124 294 | 9.6.0 | Published | Oct 11 | http://www.etsi.org/deliver/etsi_ts/124200_124299/124294/09.06.00_60/ |

| | | | | | |
|-------------------|-----------------------------|--------|-----------|--------|---|
| TTC | TS-3GA-24.294(Rel9)v9.6.0 | 9.6.0 | Approved | Dec 11 | http://www.ttc.or.jp/j/document_list/free/3gpps2011/TS/TS-3GA-24.294(Rel9)v9.6.0.pdf |
| Release 10 | | | | | |
| ATIS | ATIS.3GPP.24.294V1010-2012 | 10.1.0 | Approved | Jul 12 | https://www.atis.org/docstore/default.aspx |
| CCSA | CCSA-TSD-TDD-24.294 | 10.1.0 | Published | Jun 12 | http://www.ccsa.org.cn/english/tc/files.php?docpath=/ITU-R/M.1457/M.1457-12/TDD |
| ETSI | ETSI TS 124 294 | 10.1.0 | Published | Oct 11 | http://www.etsi.org/deliver/etsi_ts/124200_124299/124294/10.01.00_60/ |
| TTC | TS-3GA-24.294(Rel10)v10.1.0 | 10.1.0 | Approved | Dec 11 | http://www.ttc.or.jp/j/document_list/free/3gpps2011/TS/TS-3GA-24.294(Rel10)v10.1.0.pdf |
| Release 11 | | | | | |
| ATIS | ATIS.3GPP.24.294V1100-2014 | 11.0.0 | Approved | May 14 | https://www.atis.org/docstore/default.aspx |
| CCSA | CCSA-TSD-TDD-24.294 | 11.0.0 | Published | Jun 14 | http://www.ccsa.org.cn/english/tc/files.php?docpath=/ITU-R/M.1457/M.1457-12/TDD |
| ETSI | ETSI TS 124 294 | 11.0.0 | Published | Oct 12 | http://www.etsi.org/deliver/etsi_ts/124200_124299/124294/11.00.00_60/ |
| TTC | TS-3GA-24.294(Rel11)v11.0.0 | 11.0.0 | Approved | Jun 13 | http://www.ttc.or.jp/j/document_list/free/3gpps2013/TS/TS-3GA-24.294(Rel11)v11.0.0.pdf |

5.3.2.12.89 TS 24.301

Non-Access-Stratum (NAS) protocol for Evolved Packet System (EPS); Stage 3

This document specifies the procedures used by the protocols for mobility management and session management between User Equipment (UE) and Mobility Management Entity (MME) in the Evolved Packet System (EPS). These protocols belong to the non-access stratum (NAS).

| SDO (2) | Document No. | Version | Status | Issued date | Location (1) |
|-------------------|------------------------------|---------|-----------|-------------|---|
| Release 8 | | | | | |
| ATIS | ATIS.3GPP.24.301V8100-2012 | 8.10.0 | Approved | Jul 12 | https://www.atis.org/docstore/default.aspx |
| CCSA | CCSA-TSD-TDD-24.301 | 8.10.0 | Published | Jun 12 | http://www.ccsa.org.cn/english/tc/files.php?docpath=/ITU-R/M.1457/M.1457-12/TDD |
| ETSI | ETSI TS 124 301 | 8.10.0 | Published | Jun 11 | http://www.etsi.org/deliver/etsi_ts/124300_124399/124301/08.10.00_60/ |
| TTC | TS-3GA-24.301(Rel8)v8.10.0 | 8.10.0 | Approved | Aug 11 | http://www.ttc.or.jp/j/document_list/free/3gpps2011/TS/TS-3GA-24.301(Rel8)v8.10.0.pdf |
| Release 9 | | | | | |
| ATIS | ATIS.3GPP.24.301V9110-2014 | 9.11.0 | Approved | May 14 | https://www.atis.org/docstore/default.aspx |
| CCSA | CCSA-TSD-TDD-24.301 | 9.8.0 | Published | Jun 12 | http://www.ccsa.org.cn/english/tc/files.php?docpath=/ITU-R/M.1457/M.1457-12/TDD |
| ETSI | ETSI TS 124 301 | 9.11.0 | Published | Apr 13 | http://www.etsi.org/deliver/etsi_ts/124300_124399/124301/09.11.00_60/ |
| TTC | TS-3GA-24.301(Rel9)v9.11.0 | 9.11.0 | Approved | Jun 13 | http://www.ttc.or.jp/j/document_list/free/3gpps2013/TS/TS-3GA-24.301(Rel9)v9.11.0.pdf |
| Release 10 | | | | | |
| ATIS | ATIS.3GPP.24.301V10100- | 10.10.0 | Approved | May 14 | https://www.atis.org/docstore/default.aspx |
| CCSA | CCSA-TSD-TDD-24.301 | 10.5.0 | Published | Jun 12 | http://www.ccsa.org.cn/english/tc/files.php?docpath=/ITU-R/M.1457/M.1457-12/TDD |
| ETSI | ETSI TS 124 301 | 10.10.0 | Published | Apr 13 | http://www.etsi.org/deliver/etsi_ts/124300_124399/124301/10.10.00_60/ |
| TTC | TS-3GA-24.301(Rel10)v10.10.0 | 10.10.0 | Approved | Jun 13 | http://www.ttc.or.jp/jp/document_list/free/3gpps2013/TS/TS-3GA-24.301(Rel10)v10.10.0.pdf |
| Release 11 | | | | | |
| ATIS | ATIS.3GPP.24.301V1160-2014 | 11.6.0 | Approved | May 14 | https://www.atis.org/docstore/default.aspx |
| CCSA | CCSA-TSD-TDD-24.301 | 11.12.0 | Published | Jun 14 | http://www.ccsa.org.cn/english/tc/files.php?docpath=/ITU-R/M.1457/M.1457-12/TDD |
| ETSI | ETSI TS 124 301 | 11.6.0 | Published | Apr 13 | http://www.etsi.org/deliver/etsi_ts/124300_124399/124301/11.06.00_60/ |
| TTC | TS-3GA-24.301(Rel11)v11.6.0 | 11.6.0 | Approved | Jun 13 | http://www.ttc.or.jp/jp/document_list/free/3gpps2013/TS/TS-3GA-24.301(Rel11)v11.6.0.pdf |

5.3.2.12.90 TS 24.302**Access to the 3GPP Evolved Packet Core (EPC) via non-3GPP access networks; Stage 3**

This document specifies the discovery and network selection procedures for access to 3GPP Evolved Packet Core (EPC) via non-3GPP access networks and includes Authentication and Access Authorization using Authentication, Authorization and Accounting (AAA) procedures used for the interworking of the 3GPP EPC and the non-3GPP access networks. The document also specifies the Tunnel management procedures used for establishing an end-to-end tunnel from the UE to the ePDG to the point of obtaining IP connectivity and includes the selection of the IP mobility mode. The non-3GPP access networks considered in this document are cdma2000® HRPD and Worldwide Interoperability for Microwave Access (WiMAX), and any access technologies covered in 3GPP TS 23.402. These non-3GPP access networks can be trusted or untrusted access networks.

| SDO (2) | Document No. | Version | Status | Issued date | Location (1) |
|-------------------|-----------------------------|---------|-----------|-------------|---|
| Release 8 | | | | | |
| ATIS | ATIS.3GPP.24.302V8100-2012 | 8.10.0 | Approved | Jul 12 | https://www.atis.org/docstore/default.aspx |
| CCSA | CCSA-TSD-TDD-24.302 | 8.10.0 | Published | Jun 12 | http://www.ccsa.org.cn/english/tc/files.php?docpath=/ITU-R/M.1457/M.1457-12/TDD |
| ETSI | ETSI TS 124 302 | 8.10.0 | Published | Oct 11 | http://www.etsi.org/deliver/etsi_ts/124300_124399/124302/08.10.00_60/ |
| TTC | TS-3GA-24.302(Rel8)v8.10.0 | 8.10.0 | Approved | Dec 11 | http://www.ttc.or.jp/j/document_list/free/3gpps2011/TS/TS-3GA-24.302(Rel8)v8.10.0.pdf |
| Release 9 | | | | | |
| ATIS | ATIS.3GPP.24.302V970-2012 | 9.7.0 | Approved | Jul 12 | https://www.atis.org/docstore/default.aspx |
| CCSA | CCSA-TSD-TDD-24.302 | 9.7.0 | Published | Jun 12 | http://www.ccsa.org.cn/english/tc/files.php?docpath=/ITU-R/M.1457/M.1457-12/TDD |
| ETSI | ETSI TS 124 302 | 9.7.0 | Published | Oct 11 | http://www.etsi.org/deliver/etsi_ts/124300_124399/124302/09.07.00_60/ |
| TTC | TS-3GA-24.302(Rel9)v9.7.0 | 9.7.0 | Approved | Dec 11 | http://www.ttc.or.jp/j/document_list/free/3gpps2011/TS/TS-3GA-24.302(Rel9)v9.7.0.pdf |
| Release 10 | | | | | |
| ATIS | ATIS.3GPP.24.302V1070-2014 | 10.7.0 | Approved | May 14 | https://www.atis.org/docstore/default.aspx |
| CCSA | CCSA-TSD-TDD-24.302 | 10.6.0 | Published | Jun 12 | http://www.ccsa.org.cn/english/tc/files.php?docpath=/ITU-R/M.1457/M.1457-12/TDD |
| ETSI | ETSI TS 124 302 | 10.7.0 | Published | Mar 12 | http://www.etsi.org/deliver/etsi_ts/124300_124399/124302/10.07.00_60/ |
| TTC | TS-3GA-24.302(Rel10)v10.7.0 | 10.7.0 | Approved | Jun 12 | http://www.ttc.or.jp/j/document_list/free/3gpps2012/TS/TS-3GA-24.302(Rel10)v10.7.0.pdf |
| Release 11 | | | | | |
| ATIS | ATIS.3GPP.24.302V1160-2014 | 11.6.0 | Approved | May 14 | https://www.atis.org/docstore/default.aspx |
| CCSA | CCSA-TSD-TDD-24.302 | 11.7.0 | Published | Jun 14 | http://www.ccsa.org.cn/english/tc/files.php?docpath=/ITU-R/M.1457/M.1457-12/TDD |
| ETSI | ETSI TS 124 302 | 11.6.0 | Published | Apr 13 | http://www.etsi.org/deliver/etsi_ts/124300_124399/124302/11.06.00_60/ |
| TTC | TS-3GA-24.302(Rel11)v11.6.0 | 11.6.0 | Approved | Jun 13 | http://www.ttc.or.jp/jp/document_list/free/3gpps2013/TS/TS-3GA-24.302(Rel11)v11.6.0.pdf |

5.3.2.12.91 TS 24.303**Mobility management based on Dual-Stack Mobile IPv6; Stage 3**

This document specifies the signalling procedures for accessing the 3GPP Evolved Packet Core network and handling the mobility between 3GPP and non-3GPP accesses via the S2c reference point defined in 3GPP TS 23.402. The document is applicable to the User Equipment (UE) and the network node implementing the Home Agent functionality. In addition the document specifies the procedures used for the DSMIPv6 Home Agent discovery, for bootstrapping the DSMIPv6 security association between the UE and the Home Agent and for managing the DSMIPv6 tunnel. The specification of these procedures is compliant to IETF RFCs. DSMIPv6 procedures can be used independently of the underlying access technology.

| SDO (2) | Document No. | Version | Status | Issued date | Location (1) |
|-------------------|-----------------------------|---------|-----------|-------------|---|
| Release 8 | | | | | |
| ATIS | ATIS.3GPP.24.303V890-2014 | 8.9.0 | Approved | May 14 | https://www.atis.org/docstore/default.aspx |
| CCSA | CCSA-TSD-TDD-24.303 | 8.8.0 | Published | Jun 12 | http://www.ccsa.org.cn/english/tc/files.php?docpath=/ITU-R/M.1457/M.1457-12/TDD |
| ETSI | ETSI TS 124 303 | 8.9.0 | Published | Jul 12 | http://www.etsi.org/deliver/etsi_ts/124300_124399/124303/08.09.00_60/ |
| TTC | TS-3GA-24.303(Rel8)v8.9.0 | 8.9.0 | Approved | Sep 12 | http://www.ttc.or.jp/imt2000/TS/TS24303rel8v880.pdf |
| Release 9 | | | | | |
| ATIS | ATIS.3GPP.24.303V950-2014 | 9.5.0 | Approved | May 14 | https://www.atis.org/docstore/default.aspx |
| CCSA | CCSA-TSD-TDD-24.303 | 9.4.0 | Published | Jun 12 | http://www.ccsa.org.cn/english/tc/files.php?docpath=/ITU-R/M.1457/M.1457-12/TDD |
| ETSI | ETSI TS 124 303 | 9.5.0 | Published | Jul 12 | http://www.etsi.org/deliver/etsi_ts/124300_124399/124303/09.05.00_60/ |
| TTC | TS-3GA-24.303(Rel9)v9.5.0 | 9.5.0 | Approved | Sep 12 | http://www.ttc.or.jp/imt2000/TS/TS24303rel9v940.pdf |
| Release 10 | | | | | |
| ATIS | ATIS.3GPP.24.303V1060-2014 | 10.6.0 | Approved | May 14 | https://www.atis.org/docstore/default.aspx |
| CCSA | CCSA-TSD-TDD-24.303 | 10.5.0 | Published | Jun 12 | http://www.ccsa.org.cn/english/tc/files.php?docpath=/ITU-R/M.1457/M.1457-12/TDD |
| ETSI | ETSI TS 124 303 | 10.6.0 | Published | Jul 12 | http://www.etsi.org/deliver/etsi_ts/124300_124399/124303/10.06.00_60/ |
| TTC | TS-3GA-24.303(Rel10)v10.6.0 | 10.6.0 | Approved | Sep 12 | http://www.ttc.or.jp/jp/document_list/free/3gpps2012/TS/TS-3GA-24.303(Rel10)v10.5.0.pdf |
| Release 11 | | | | | |
| ATIS | ATIS.3GPP.24.303V1120-2014 | 11.2.0 | Approved | May 14 | https://www.atis.org/docstore/default.aspx |
| CCSA | CCSA-TSD-TDD-24.303 | 11.3.0 | Published | Jun 14 | http://www.ccsa.org.cn/english/tc/files.php?docpath=/ITU-R/M.1457/M.1457-12/TDD |
| ETSI | ETSI TS 124 303 | 11.2.0 | Published | Nov 12 | http://www.etsi.org/deliver/etsi_ts/124300_124399/124303/11.02.00_60/ |
| TTC | TS-3GA-24.303(Rel11)v11.2.0 | 11.2.0 | Approved | Jun 13 | http://www.ttc.or.jp/jp/document_list/free/3gpps2013/TS/TS-3GA-24.303(Rel11)v11.2.0.pdf |

5.3.2.12.92 TS 24.304

Mobility management based on Mobile IPv4; User Equipment (UE) – foreign agent interface; Stage 3

This document describes the stage 3 aspects of mobility management for User Equipment (UE) using IETF Mobile IPv4 foreign agent mode to access the Evolved Packet Core Network (EPC) through trusted non-3GPP access networks and for mobility management of UE between the 3GPP access network and trusted non-3GPP access networks. In particular, the document describes the UE – Mobile IPv4 Foreign Agent (FA) interface stage 3 aspects, where the FA functionality is located within the access network in the non-3GPP access domain. The document is applicable to the User Equipment (UE) and the network node implementing the FA functionality.

| SDO (2) | Document No. | Version | Status | Issued date | Location (1) |
|------------------|---------------------------|---------|-----------|-------------|---|
| Release 8 | | | | | |
| ATIS | ATIS.3GPP.24.304V820-2012 | 8.2.0 | Approved | Jul 12 | https://www.atis.org/docstore/default.aspx |
| CCSA | CCSA-TSD-TDD-24.304 | 8.2.0 | Published | Jun 12 | http://www.ccsa.org.cn/english/tc/files.php?docpath=/ITU-R/M.1457/M.1457-12/TDD |
| ETSI | ETSI TS 124 304 | 8.2.0 | Published | Apr 11 | http://www.etsi.org/deliver/etsi_ts/124300_124399/124304/08.02.00_60/ |
| TTC | TS-3GA-24.304(Rel8)v8.2.0 | 8.2.0 | Approved | Jun 11 | http://www.ttc.or.jp/jp/document_list/free/3gpps2011/TS/TS-3GA-24.304(Rel8)v8.2.0.pdf |
| Release 9 | | | | | |
| ATIS | ATIS.3GPP.24.304V920-2012 | 9.2.0 | Approved | Jul 12 | https://www.atis.org/docstore/default.aspx |
| CCSA | CCSA-TSD-TDD-24.304 | 9.2.0 | Published | Jun 12 | http://www.ccsa.org.cn/english/tc/files.php?docpath=/ITU-R/M.1457/M.1457-12/TDD |
| ETSI | ETSI TS 124 304 | 9.2.0 | Published | Apr 11 | http://www.etsi.org/deliver/etsi_ts/124300_124399/124304/09.02.00_60/ |

| | | | | | |
|-------------------|-----------------------------|--------|-----------|--------|---|
| TTC | TS-3GA-24.304(Rel9)v9.2.0 | 9.2.0 | Approved | Jun 11 | http://www.ttc.or.jp/j/document_list/free/3gpps2011/TS/TS-3GA-24.304(Rel9)v9.2.0.pdf |
| Release 10 | | | | | |
| ATIS | ATIS.3GPP.24.304V1000-2012 | 10.0.0 | Approved | Jul 12 | https://www.atis.org/docstore/default.aspx |
| CCSA | CCSA-TSD-TDD-24.304 | 10.0.0 | Published | Jun 12 | http://www.ccsa.org.cn/english/tc/files.php?docpath=/ITU-R/M.1457/M.1457-12/TDD |
| ETSI | ETSI TS 124 304 | 10.0.0 | Published | Apr 11 | http://www.etsi.org/deliver/etsi_ts/124300_124399/124304/10.00.00_60/ |
| TTC | TS-3GA-24.304(Rel10)v10.0.0 | 10.0.0 | Approved | Jun 11 | http://www.ttc.or.jp/j/document_list/free/3gpps2011/TS/TS-3GA-24.304(Rel10)v10.0.0.pdf |
| Release 11 | | | | | |
| ATIS | ATIS.3GPP.24.304V1100-2014 | 11.0.0 | Approved | May 14 | https://www.atis.org/docstore/default.aspx |
| CCSA | CCSA-TSD-TDD-24.304 | 11.0.0 | Published | Jun 14 | http://www.ccsa.org.cn/english/tc/files.php?docpath=/ITU-R/M.1457/M.1457-12/TDD |
| ETSI | ETSI TS 124 304 | 11.0.0 | Published | Oct 12 | http://www.etsi.org/deliver/etsi_ts/124300_124399/124304/11.00.00_60/ |
| TTC | TS-3GA-24.304(Rel11)v11.0.0 | 11.0.0 | Approved | Jun 13 | http://www.ttc.or.jp/j/document_list/free/3gpps2013/TS/TS-3GA-24.304(Rel11)v11.0.0.pdf |

5.3.2.12.93 TS 24.305

Selective Disabling of 3GPP User Equipment Capabilities (SDoUE) Management Object (MO)

This document specifies a mobile device Selective Disabling of 3GPP UE Capabilities (SDoUE) Management Object (MO) and the rules and corresponding behaviour of the UE with regard to the selective disabling of 3GPP UE capabilities, for example, when services or functions are disabled/enabled. The SDoUE MO is compatible with the OMA Device Management (DM) protocol specifications, version 1.2 and upwards, and is defined using the OMA DM Device Description Framework (DDF) as described in the Enabler Release Definition OMA-ERELD-DM-V1_2. The SDoUE MO consists of the relevant parameters that can be managed for selective disabling of 3GPP UE capabilities. The SDoUE MO defines a repository of data into the ME. The service requirements for selective disabling of 3GPP UE capabilities are defined in 3GPP TS 22.011.

| SDO (2) | Document No. | Version | Status | Issued date | Location (1) |
|-------------------|-----------------------------|---------|-----------|-------------|---|
| Release 7 | | | | | |
| CCSA | CCSA-TSD-TDD-24.305 | 7.4.0 | Published | Jun 12 | http://www.ccsa.org.cn/english/tc/files.php?docpath=/ITU-R/M.1457/M.1457-12/TDD |
| ETSI | ETSI TS 124 305 | 7.4.0 | Published | Mar 09 | http://www.etsi.org/deliver/etsi_ts/124300_124399/124305/07.04.00_60/ |
| TTC | TS-3GA-24.305(Rel7)v7.4.0 | 7.4.0 | Approved | Jul 09 | http://www.ttc.or.jp/j/document_list/free/3gpps2009/TS/TS-3GA-24.305(Rel7)v7.4.0.pdf |
| Release 8 | | | | | |
| CCSA | CCSA-TSD-TDD-24.305 | 8.2.0 | Published | Jun 12 | http://www.ccsa.org.cn/english/tc/files.php?docpath=/ITU-R/M.1457/M.1457-12/TDD |
| ETSI | ETSI TS 124 305 | 8.2.0 | Published | Jun 09 | http://www.etsi.org/deliver/etsi_ts/124300_124399/124305/08.02.00_60/ |
| TTC | TS-3GA-24.305(Rel8)v8.2.0 | 8.2.0 | Approved | Oct 09 | http://www.ttc.or.jp/j/document_list/free/3gpps2009/TS/TS-3GA-24.305(Rel8)v8.2.0.pdf |
| Release 9 | | | | | |
| CCSA | CCSA-TSD-TDD-24.305 | 9.0.0 | Published | Jun 12 | http://www.ccsa.org.cn/english/tc/files.php?docpath=/ITU-R/M.1457/M.1457-12/TDD |
| ETSI | ETSI TS 124 305 | 9.0.0 | Published | Jan 10 | http://www.etsi.org/deliver/etsi_ts/124300_124399/124305/09.00.00_60/ |
| TTC | TS-3GA-24.305(Rel9)v9.0.0 | 9.0.0 | Approved | Jul 10 | http://www.ttc.or.jp/j/document_list/free/3gpps2010/TS/TS-3GA-24.305(Rel9)v9.0.0.pdf |
| Release 10 | | | | | |
| ATIS | ATIS.3GPP.24.305V1000-2012 | 10.0.0 | Approved | Jul 12 | https://www.atis.org/docstore/default.aspx |
| CCSA | CCSA-TSD-TDD-24.305 | 10.0.0 | Published | Jun 12 | http://www.ccsa.org.cn/english/tc/files.php?docpath=/ITU-R/M.1457/M.1457-12/TDD |
| ETSI | ETSI TS 124 305 | 10.0.0 | Published | Apr 11 | http://www.etsi.org/deliver/etsi_ts/124300_124399/124305/10.00.00_60/ |
| TTC | TS-3GA-24.305(Rel10)v10.0.0 | 10.0.0 | Approved | Jun 11 | http://www.ttc.or.jp/j/document_list/free/3gpps2011/TS/TS-3GA-24.305(Rel10)v10.0.0.pdf |

Release 11

| | | | | | |
|------|-----------------------------|--------|-----------|--------|---|
| ATIS | ATIS.3GPP.24.305V1100-2014 | 11.0.0 | Approved | May 14 | https://www.atis.org/docstore/default.aspx |
| CCSA | CCSA-TSD-TDD-24.305 | 11.0.0 | Published | Jun 14 | http://www.ccsa.org.cn/english/tc/files.php?docpath=/ITU-R/M.1457/M.1457-12/TDD |
| ETSI | ETSI TS 124 305 | 11.0.0 | Published | Nov 12 | http://www.etsi.org/deliver/etsi_ts/124300_124399/124305/11.00.00_60/ |
| TTC | TS-3GA-24.305(Rel11)v11.0.0 | 11.0.0 | Approved | Jun 13 | http://www.ttc.or.jp/j/document_list/free/3gpps2013/TS/TS-3GA-24.305(Rel11)v11.0.0.pdf |

5.3.2.12.94 TS 24.312**Access Network Discovery and Selection Function (ANDSF) Management Object (MO)**

This document defines management objects that can be used by the Access Network Discovery and Selection Function (ANDSF) and the UE. The Management Object (MO) is compatible with the OMA Device Management (DM) protocol specifications, version 1.2 and upwards, and is defined using the OMA DM Device Description Framework (DDF) as described in the Enabler Release Definition OMA-ERELED-DM-V1_2. The MO consists of relevant parameters for intersystem mobility policy- and access network discovery information that can be managed by the ANDSF. The service requirements and the functional requirements for the access network discovery and selection are described in 3GPP TS 22.278 and in 3GPP TS 23.402 respectively.

| SDO (2) | Document No. | Version | Status | Issued date | Location (1) |
|-------------------|-----------------------------|---------|-----------|-------------|---|
| Release 8 | | | | | |
| CCSA | CCSA-TSD-TDD-24.312 | 8.5.0 | Published | Jun 12 | http://www.ccsa.org.cn/english/tc/files.php?docpath=/ITU-R/M.1457/M.1457-12/TDD |
| ETSI | ETSI TS 124 312 | 8.6.0 | Published | Jul 12 | http://www.etsi.org/deliver/etsi_ts/124300_124399/124312/08.06.00_60/ |
| TTC | TS-3GA-24.312(Rel8)v8.6.0 | 8.6.0 | Approved | Sep 12 | http://www.ttc.or.jp/j/document_list/free/3gpps2010/TS/TS-3GA-24.312(Rel8)v8.5.0.pdf |
| Release 9 | | | | | |
| ATIS | ATIS.3GPP.24.312V930-2014 | 9.3.0 | Approved | May 14 | https://www.atis.org/docstore/default.aspx |
| CCSA | CCSA-TSD-TDD-24.312 | 9.2.0 | Published | Jun 12 | http://www.ccsa.org.cn/english/tc/files.php?docpath=/ITU-R/M.1457/M.1457-12/TDD |
| ETSI | ETSI TS 124 312 | 9.3.0 | Published | Jul 12 | http://www.etsi.org/deliver/etsi_ts/124300_124399/124312/09.03.00_60/ |
| TTC | TS-3GA-24.312(Rel9)v9.3.0 | 9.3.0 | Approved | Sep 12 | http://www.ttc.or.jp/j/document_list/free/3gpps2011/TS/TS-3GA-24.312(Rel9)v9.2.0.pdf |
| Release 10 | | | | | |
| ATIS | ATIS.3GPP.24.312V1060-2014 | 10.6.0 | Approved | May 14 | https://www.atis.org/docstore/default.aspx |
| CCSA | CCSA-TSD-TDD-24.312 | 10.4.0 | Published | Jun 12 | http://www.ccsa.org.cn/english/tc/files.php?docpath=/ITU-R/M.1457/M.1457-12/TDD |
| ETSI | ETSI TS 124 312 | 10.6.0 | Published | Jul 12 | http://www.etsi.org/deliver/etsi_ts/124300_124399/124312/10.06.00_60/ |
| TTC | TS-3GA-24.312(Rel10)v10.6.0 | 10.6.0 | Approved | Sep 12 | http://www.ttc.or.jp/j/document_list/free/3gpps2012/TS/TS-3GA-24.312(Rel10)v10.5.0.pdf |
| Release 11 | | | | | |
| ATIS | ATIS.3GPP.24.312V1160-2014 | 11.6.0 | Approved | May 14 | https://www.atis.org/docstore/default.aspx |
| CCSA | CCSA-TSD-TDD-24.312 | 11.6.0 | Published | Jun 14 | http://www.ccsa.org.cn/english/tc/files.php?docpath=/ITU-R/M.1457/M.1457-12/TDD |
| ETSI | ETSI TS 124 312 | 11.6.0 | Published | Apr 13 | http://www.etsi.org/deliver/etsi_ts/124300_124399/124312/11.06.00_60/ |
| TTC | TS-3GA-24.312(Rel11)v11.6.0 | 11.6.0 | Approved | Jun 13 | http://www.ttc.or.jp/j/document_list/free/3gpps2013/TS/TS-3GA-24.312(Rel11)v11.6.0.pdf |

5.3.2.12.95 TS 24.315

IP Multimedia Subsystem (IMS) Operator Determined Barring (ODB); Stage 3: protocol specification

This document specifies the stage three, Protocol Description of the network feature Operator Determined Barring (ODB) of IMS Multimedia Telephony Services. It is based on the requirements described in 3GPP TS 22.041. It provides the protocol details in the IP Multimedia (IM) Core Network (CN) subsystem based on the Session Initiation Protocol (SIP) and the Session Description Protocol (SDP).). In addition, it provides protocol details for XCAP for barring of supplementary services configuration.

| SDO (2) | Document No. | Version | Status | Issued date | Location (1) |
|-------------------|-----------------------------|---------|-----------|-------------|---|
| Release 11 | | | | | |
| ATIS | ATIS.3GPP.24.315V1110-2014 | 11.1.0 | Approved | May 14 | https://www.atis.org/docstore/default.aspx |
| CCSA | CCSA-TSD-TDD-24.315 | 11.1.0 | Published | Jun 14 | http://www.ccsa.org.cn/english/tc/files.php?docpath=/ITU-R/M.1457/M.1457-12/TDD |
| TTC | TS-3GA-24.315(Rel11)v11.1.0 | 11.1.0 | Approved | Jun 13 | http://www.ttc.or.jp/j/document_list/free/3gpps2013/TS/TS-3GA-24.315(Rel11)v11.1.0.pdf |

5.3.2.12.96 TS 24.327

Mobility between 3GPP Wireless Local Area Network (WLAN) interworking (I-WLAN) and 3GPP systems; General Packet Radio System (GPRS) and 3GPP I-WLAN aspects; Stage 3

This document specifies the signalling procedures for handling the mobility of a UE between 3GPP Wireless Local Area Network Interworking (I-WLAN) and GPRS systems and is applicable to the User Equipment (UE) and the network nodes supporting mobility between 3GPP I-WLAN and GPRS systems. In addition, it specifies the procedures used between the UE and the network nodes for the attach and the detach cases. It also specifies how the UE performs handover when moving from 3GPP I-WLAN to GPRS systems and vice-versa.

| SDO (2) | Document No. | Version | Status | Issued date | Location (1) |
|-------------------|-----------------------------|---------|-----------|-------------|---|
| Release 8 | | | | | |
| CCSA | CCSA-TSD-TDD-24.327 | 8.6.0 | Published | Jun 14 | http://www.ccsa.org.cn/english/tc/files.php?docpath=/ITU-R/M.1457/M.1457-12/TDD |
| TTC | TS-3GA-24.327(Rel8)v8.6.0 | 8.6.0 | Approved | Oct 10 | http://www.ttc.or.jp/j/document_list/free/3gpps2010/TS/TS-3GA-24.327(Rel8)v8.6.0.pdf |
| Release 9 | | | | | |
| CCSA | CCSA-TSD-TDD-24.327 | 9.2.0 | Published | Jun 14 | http://www.ccsa.org.cn/english/tc/files.php?docpath=/ITU-R/M.1457/M.1457-12/TDD |
| TTC | TS-3GA-24.327(Rel9)v9.2.0 | 9.2.0 | Approved | Oct 10 | http://www.ttc.or.jp/j/document_list/free/3gpps2010/TS/TS-3GA-24.327(Rel9)v9.2.0.pdf |
| Release 10 | | | | | |
| CCSA | CCSA-TSD-TDD-24.327 | 10.2.0 | Published | Jun 14 | http://www.ccsa.org.cn/english/tc/files.php?docpath=/ITU-R/M.1457/M.1457-12/TDD |
| TTC | TS-3GA-24.327(Rel10)v10.2.0 | 10.2.0 | Approved | Aug 11 | http://www.ttc.or.jp/j/document_list/free/3gpps2011/TS/TS-3GA-24.327(Rel10)v10.2.0.pdf |
| Release 11 | | | | | |
| ATIS | ATIS.3GPP.24.327V1100-2014 | 11.0.0 | Approved | May 14 | https://www.atis.org/docstore/default.aspx |
| CCSA | CCSA-TSD-TDD-24.327 | 11.0.0 | Published | Jun 14 | http://www.ccsa.org.cn/english/tc/files.php?docpath=/ITU-R/M.1457/M.1457-12/TDD |
| TTC | TS-3GA-24.327(Rel11)v11.0.0 | 11.0.0 | Approved | Jun 13 | http://www.ttc.or.jp/j/document_list/free/3gpps2013/TS/TS-3GA-24.327(Rel11)v11.0.0.pdf |

5.3.2.12.97 TS 24.337

IP Multimedia (IM) Core Network (CN) subsystem IP Multimedia Subsystem (IMS) inter-UE transfer; Stage 3

IP Multimedia (IM) Core Network (CN) subsystem inter-UE transfer (IUT) provides the capability of continuing ongoing communication sessions with

multiple media across different user equipments (UEs) under the control of the same or different subscribers, and as part of Service Continuity (SC). This document provides the protocol details for enabling IMS inter-UE transfer based on the Session Initiation protocol (SIP) and the Session Description Protocol (SDP).

| SDO (2) | Document No. | Version | Status | Issued date | Location (1) |
|-------------------|-----------------------------|---------|-----------|-------------|---|
| Release 10 | | | | | |
| ATIS | ATIS.3GPP.24.337V1070-2014 | 10.7.0 | Approved | May 14 | https://www.atis.org/docstore/default.aspx |
| CCSA | CCSA-TSD-TDD-24.337 | 10.3.0 | Published | Jun 12 | http://www.ccsa.org.cn/english/tc/files.php?docpath=/ITU-R/M.1457/M.1457-12/TDD |
| ETSI | ETSI TS 124 337 | 10.7.0 | Published | Apr 13 | http://www.etsi.org/deliver/etsi_ts/124300_124399/124337/10.07.00_60/ |
| TTC | TS-3GA-24.337(Rel10)v10.7.0 | 10.7.0 | Approved | Jun 13 | http://www.ttc.or.jp/jp/document_list/free/3gpps2013/TS/TS-3GA-24.337(Rel10)v10.7.0.pdf |
| Release 11 | | | | | |
| ATIS | ATIS.3GPP.24.337V1140-2014 | 11.4.0 | Approved | May 14 | https://www.atis.org/docstore/default.aspx |
| CCSA | CCSA-TSD-TDD-24.337 | 11.6.0 | Published | Jun 14 | http://www.ccsa.org.cn/english/tc/files.php?docpath=/ITU-R/M.1457/M.1457-12/TDD |
| ETSI | ETSI TS 124 337 | 11.4.0 | Published | Apr 13 | http://www.etsi.org/deliver/etsi_ts/124300_124399/124337/11.04.00_60/ |
| TTC | TS-3GA-24.337(Rel11)v11.4.0 | 11.4.0 | Approved | Jun 13 | http://www.ttc.or.jp/jp/document_list/free/3gpps2013/TS/TS-3GA-24.337(Rel11)v11.4.0.pdf |

5.3.2.12.98 TS 24.341

Support of SMS over IP networks; Stage 3

This specification provides the protocol details for SMS over IP functionality within the IP Multimedia (IM) Core Network (CN) subsystem based on the Session Initiation Protocol (SIP). The architecture for the SMS over IP functionality is specified in 3GPP TS 23.204.

| SDO (2) | Document No. | Version | Status | Issued date | Location (1) |
|-------------------|----------------------------|---------|-----------|-------------|---|
| Release 7 | | | | | |
| ATIS | ATIS.3GPP.24.341V750-2012 | 7.5.0 | Approved | Jul 12 | https://www.atis.org/docstore/default.aspx |
| CCSA | CCSA-TSD-TDD-24.341 | 7.5.0 | Published | Jun 12 | http://www.ccsa.org.cn/english/tc/files.php?docpath=/ITU-R/M.1457/M.1457-12/TDD |
| ETSI | ETSI TS 124 341 | 7.5.0 | Published | Jun 10 | http://www.etsi.org/deliver/etsi_ts/124300_124399/124341/07.05.00_60/ |
| TTC | TS-3GA-24.341(Rel7)v7.5.0 | 7.5.0 | Approved | Oct 10 | http://www.ttc.or.jp/jp/document_list/free/3gpps2010/TS/TS-3GA-24.341(Rel7)v7.5.0.pdf |
| Release 8 | | | | | |
| ATIS | ATIS.3GPP.24.341V850-2012 | 8.5.0 | Approved | Jul 12 | https://www.atis.org/docstore/default.aspx |
| CCSA | CCSA-TSD-TDD-24.341 | 8.5.0 | Published | Jun 12 | http://www.ccsa.org.cn/english/tc/files.php?docpath=/ITU-R/M.1457/M.1457-12/TDD |
| ETSI | ETSI TS 124 341 | 8.5.0 | Published | Jan 11 | http://www.etsi.org/deliver/etsi_ts/124300_124399/124341/08.05.00_60/ |
| TTC | TS-3GA-24.341(Rel8)v8.5.0 | 8.5.0 | Approved | Apr 11 | http://www.ttc.or.jp/jp/document_list/free/3gpps2011/TS/TS-3GA-24.341(Rel8)v8.5.0.pdf |
| Release 9 | | | | | |
| ATIS | ATIS.3GPP.24.341V920-2012 | 9.2.0 | Approved | Jul 12 | https://www.atis.org/docstore/default.aspx |
| CCSA | CCSA-TSD-TDD-24.341 | 9.2.0 | Published | Jun 12 | http://www.ccsa.org.cn/english/tc/files.php?docpath=/ITU-R/M.1457/M.1457-12/TDD |
| ETSI | ETSI TS 124 341 | 9.2.0 | Published | Jan 11 | http://www.etsi.org/deliver/etsi_ts/124300_124399/124341/09.02.00_60/ |
| TTC | TS-3GA-24.341(Rel9)v9.2.0 | 9.2.0 | Approved | Apr 11 | http://www.ttc.or.jp/jp/document_list/free/3gpps2011/TS/TS-3GA-24.341(Rel9)v9.2.0.pdf |
| Release 10 | | | | | |
| ATIS | ATIS.3GPP.24.341V1000-2012 | 10.0.0 | Approved | Jul 12 | https://www.atis.org/docstore/default.aspx |
| CCSA | CCSA-TSD-TDD-24.341 | 10.0.0 | Published | Jun 12 | http://www.ccsa.org.cn/english/tc/files.php?docpath=/ITU-R/M.1457/M.1457-12/TDD |
| ETSI | ETSI TS 124 341 | 10.0.0 | Published | Mar 11 | http://www.etsi.org/deliver/etsi_ts/124300_124399/124341/10.00.00_60/ |

| | | | | | |
|-------------------|-----------------------------|--------|-----------|--------|---|
| TTC | TS-3GA-24.341(Rel10)v10.0.0 | 10.0.0 | Approved | Jun 11 | http://www.ttc.or.jp/j/document_list/free/3gpps2011/TS/TS-3GA-24.341(Rel10)v10.0.0.pdf |
| Release 11 | | | | | |
| ATIS | ATIS.3GPP.24.341V1120-2014 | 11.2.0 | Approved | May 14 | https://www.atis.org/docstore/default.aspx |
| CCSA | CCSA-TSD-TDD-24.341 | 11.3.0 | Published | Jun 14 | http://www.ccsa.org.cn/english/tc/files.php?docpath=/ITU-R/M.1457/M.1457-12/TDD |
| ETSI | ETSI TS 124 341 | 11.2.0 | Published | Jan 13 | http://www.etsi.org/deliver/etsi_ts/124300_124399/124341/11.02.00_60/ |
| TTC | TS-3GA-24.341(Rel11)v11.2.0 | 11.2.0 | Approved | Jun 13 | http://www.ttc.or.jp/j/document_list/free/3gpps2013/TS/TS-3GA-24.341(Rel11)v11.2.0.pdf |

5.3.2.12.99 TS 24.368

Non-Access Stratum (NAS) configuration Management Object (MO)

This document defines a Management Object (MO) that can be used to configure the UE with parameters related to Non-Access Stratum (NAS) functionality. The MO is compatible with the OMA Device Management (DM) protocol specifications, version 1.2 and upwards, and is defined using the OMA DM Device Description Framework (DDF) as described in the Enabler Release Definition OMA-ERELD-DM-V1_2. The MO consists of relevant parameters for NAS related configuration of a UE.

| SDO (2) | Document No. | Version | Status | Issued date | Location (1) |
|-------------------|-----------------------------|---------|-----------|-------------|---|
| Release 10 | | | | | |
| ATIS | ATIS.3GPP.24.368V1010-2012 | 10.1.0 | Approved | Jul 12 | https://www.atis.org/docstore/default.aspx |
| CCSA | CCSA-TSD-TDD-24.368 | 10.1.0 | Published | Jun 12 | http://www.ccsa.org.cn/english/tc/files.php?docpath=/ITU-R/M.1457/M.1457-12/TDD |
| ETSI | ETSI TS 124 368 | 10.1.0 | Published | Jun 11 | http://www.etsi.org/deliver/etsi_ts/124300_124399/124368/10.01.00_60/ |
| TTC | TS-3GA-24.368(Rel10)v10.1.0 | 10.1.0 | Approved | Aug 11 | http://www.ttc.or.jp/j/document_list/free/3gpps2011/TS/TS-3GA-24.368(Rel10)v10.1.0.pdf |
| Release 11 | | | | | |
| ATIS | ATIS.3GPP.24.368V1120-2014 | 11.2.0 | Approved | May 14 | https://www.atis.org/docstore/default.aspx |
| CCSA | CCSA-TSD-TDD-24.368 | 11.2.0 | Published | Jun 14 | http://www.ccsa.org.cn/english/tc/files.php?docpath=/ITU-R/M.1457/M.1457-12/TDD |
| ETSI | ETSI TS 124 368 | 11.2.0 | Published | Oct 12 | http://www.etsi.org/deliver/etsi_ts/124300_124399/124368/11.02.00_60/ |
| TTC | TS-3GA-24.368(Rel11)v11.2.0 | 11.2.0 | Approved | Jun 13 | http://www.ttc.or.jp/j/document_list/free/3gpps2013/TS/TS-3GA-24.368(Rel11)v11.2.0.pdf |

5.3.2.12.100 TS 24.390

Unstructured Supplementary Service Data (USSD) using IP Multimedia (IM) Core Network (CN) subsystem IMS; Stage 3

This document describes the procedures for using Unstructured Supplementary Service Data (USSD) operations for mobile initiated MMI mode over IP Multimedia Core Network Subsystem (IMS). MMI mode is for the transparent transport of MMI strings entered by the user to the Application Servers (AS) and for the transparent transport of text strings back to the User Equipment (UE) to be displayed for user information. Support of USSD service is optional and only applicable for an operator's Public Land Mobile Network (PLMN). This document is applicable to UE and AS which are intended to support USSD operations over IP Multimedia Core Network Subsystem (IMS) in mobile initiated MMI mode.

| SDO (2) | Document No. | Version | Status | Issued date | Location (1) |
|-------------------|----------------------------|---------|----------|-------------|---|
| Release 11 | | | | | |
| ATIS | ATIS.3GPP.24.390V1120-2014 | 11.2.0 | Approved | May 14 | https://www.atis.org/docstore/default.aspx |

| | | | | | |
|------|-----------------------------|--------|-----------|--------|---|
| CCSA | CCSA-TSD-TDD-24.390 | 11.5.0 | Published | Jun 14 | http://www.ccsa.org.cn/english/tc/files.php?docpath=/ITU-R/M.1457/M.1457-12/TDD |
| TTC | TS-3GA-24.390(Rel11)v11.2.0 | 11.2.0 | Approved | Jun 13 | http://www.ttc.or.jp/jp/document_list/free/3gpps2013/TS/TS-3GA-24.390(Rel11)v11.2.0.pdf |

5.3.2.12.101 TS 24.604

Communication Diversion (CDIV) using IP Multimedia (IM) Core Network (CN) subsystem; Protocol specification

This document specifies the Stage 3, Protocol Description of the Communications Diversion (CDIV) supplementary services, based on stage one and two of the ISDN Communication diversion supplementary services. It provides the protocol details in the IP Multimedia (IM) Core Network (CN) subsystem based on the Session Initiation Protocol (SIP) and the Session Description Protocol (SDP).

| SDO (2) | Document No. | Version | Status | Issued date | Location (1) |
|-------------------|-----------------------------|---------|-----------|-------------|---|
| Release 8 | | | | | |
| CCSA | CCSA-TSD-TDD-24.604 | 8.11.0 | Published | Jun 12 | http://www.ccsa.org.cn/english/tc/files.php?docpath=/ITU-R/M.1457/M.1457-12/TDD |
| ETSI | ETSI TS 124 604 | 8.13.0 | Published | Jul 12 | http://www.etsi.org/deliver/etsi_ts/124600_124699/124604/08.13.00_60/ |
| TTC | TS-3GA-24.604(Rel8)v8.13.0 | 8.13.0 | Approved | Sep 12 | http://www.ttc.or.jp/jp/document_list/free/3gpps2012/TS/TS-3GA-24.604(Rel8)v8.12.0.pdf |
| Release 9 | | | | | |
| ATIS | ATIS.3GPP.24.604V9100-2014 | 9.10.0 | Approved | May 14 | https://www.atis.org/docstore/default.aspx |
| CCSA | CCSA-TSD-TDD-24.604 | 9.8.0 | Published | Jun 12 | http://www.ccsa.org.cn/english/tc/files.php?docpath=/ITU-R/M.1457/M.1457-12/TDD |
| ETSI | ETSI TS 124 604 | 9.10.0 | Published | Jul 12 | http://www.etsi.org/deliver/etsi_ts/124600_124699/124604/09.10.00_60/ |
| TTC | TS-3GA-24.604(Rel9)v9.10.0 | 9.10.0 | Approved | Sep 12 | http://www.ttc.or.jp/jp/document_list/free/3gpps2012/TS/TS-3GA-24.604(Rel9)v9.9.0.pdf |
| Release 10 | | | | | |
| ATIS | ATIS.3GPP.24.604V1050-2014 | 10.5.0 | Approved | May 14 | https://www.atis.org/docstore/default.aspx |
| CCSA | CCSA-TSD-TDD-24.604 | 10.3.0 | Published | Jun 12 | http://www.ccsa.org.cn/english/tc/files.php?docpath=/ITU-R/M.1457/M.1457-12/TDD |
| ETSI | ETSI TS 124 604 | 10.5.0 | Published | Jul 12 | http://www.etsi.org/deliver/etsi_ts/124600_124699/124604/10.05.00_60/ |
| TTC | TS-3GA-24.604(Rel10)v10.5.0 | 10.5.0 | Approved | Sep 12 | http://www.ttc.or.jp/jp/document_list/free/3gpps2012/TS/TS-3GA-24.604(Rel10)v10.4.0.pdf |
| Release 11 | | | | | |
| ATIS | ATIS.3GPP.24.604V1150-2014 | 11.5.0 | Approved | May 14 | https://www.atis.org/docstore/default.aspx |
| CCSA | CCSA-TSD-TDD-24.604 | 11.9.0 | Published | Jun 14 | http://www.ccsa.org.cn/english/tc/files.php?docpath=/ITU-R/M.1457/M.1457-12/TDD |
| ETSI | ETSI TS 124 604 | 11.5.0 | Published | Jan 13 | http://www.etsi.org/deliver/etsi_ts/124600_124699/124604/11.05.00_60/ |
| TTC | TS-3GA-24.604(Rel11)v11.5.0 | 11.5.0 | Approved | Jun 13 | http://www.ttc.or.jp/jp/document_list/free/3gpps2013/TS/TS-3GA-24.604(Rel11)v11.5.0.pdf |

5.3.2.12.102 TS 24.605

Conference (CONF) using IP Multimedia (IM) Core Network (CN) subsystem; Protocol specification

This document specifies the stage three Protocol Description of the Conference (CONF) service based on stage one and two of the ISDN CONF supplementary service. It provides the protocol details in the IP Multimedia (IM) Core Network (CN) subsystem based on the Session Initiation Protocol (SIP) and the Session Description Protocol (SDP).

| SDO (2) | Document No. | Version | Status | Issued date | Location (1) |
|---------|--------------|---------|--------|-------------|--------------|
|---------|--------------|---------|--------|-------------|--------------|

Release 8

| | | | | | |
|------|---------------------------|-------|-----------|--------|---|
| CCSA | CCSA-TSD-TDD-24.605 | 8.3.0 | Published | Jun 12 | http://www.ccsa.org.cn/english/tc/files.php?docpath=/ITU-R/M.1457/M.1457-12/TDD |
| ETSI | ETSI TS 124 605 | 8.4.0 | Published | Jan 13 | http://www.etsi.org/deliver/etsi_ts/124600_124699/124605/08.04.00_60/ |
| TTC | TS-3GA-24.605(Rel8)v8.4.0 | 8.4.0 | Approved | Jun 13 | http://www.ttc.or.jp/j/document_list/free/3gpps2013/TS/TS-3GA-24.605(Rel8)v8.4.0.pdf |

Release 9

| | | | | | |
|------|---------------------------|-------|-----------|--------|---|
| ATIS | ATIS.3GPP.24.605V920-2014 | 9.2.0 | Approved | May 14 | https://www.atis.org/docstore/default.aspx |
| CCSA | CCSA-TSD-TDD-24.605 | 9.1.0 | Published | Jun 12 | http://www.ccsa.org.cn/english/tc/files.php?docpath=/ITU-R/M.1457/M.1457-12/TDD |
| ETSI | ETSI TS 124 605 | 9.2.0 | Published | Jan 13 | http://www.etsi.org/deliver/etsi_ts/124600_124699/124605/09.02.00_60/ |
| TTC | TS-3GA-24.605(Rel9)v9.2.0 | 9.2.0 | Approved | Jun 13 | http://www.ttc.or.jp/j/document_list/free/3gpps2013/TS/TS-3GA-24.605(Rel9)v9.2.0.pdf |

Release 10

| | | | | | |
|------|-----------------------------|--------|-----------|--------|---|
| ATIS | ATIS.3GPP.24.605V1010-2014 | 10.1.0 | Approved | May 14 | https://www.atis.org/docstore/default.aspx |
| CCSA | CCSA-TSD-TDD-24.605 | 10.0.0 | Published | Jun 12 | http://www.ccsa.org.cn/english/tc/files.php?docpath=/ITU-R/M.1457/M.1457-12/TDD |
| ETSI | ETSI TS 124 605 | 10.1.0 | Published | Jan 13 | http://www.etsi.org/deliver/etsi_ts/124600_124699/124605/10.01.00_60/ |
| TTC | TS-3GA-24.605(Rel10)v10.1.0 | 10.1.0 | Approved | Jun 13 | http://www.ttc.or.jp/j/document_list/free/3gpps2013/TS/TS-3GA-24.605(Rel10)v10.1.0.pdf |

Release 11

| | | | | | |
|------|-----------------------------|--------|-----------|--------|---|
| ATIS | ATIS.3GPP.24.605V1110-2014 | 11.1.0 | Approved | May 14 | https://www.atis.org/docstore/default.aspx |
| CCSA | CCSA-TSD-TDD-24.605 | 11.1.0 | Published | Jun 14 | http://www.ccsa.org.cn/english/tc/files.php?docpath=/ITU-R/M.1457/M.1457-12/TDD |
| ETSI | ETSI TS 124 605 | 11.1.0 | Published | Jan 13 | http://www.etsi.org/deliver/etsi_ts/124600_124699/124605/11.01.00_60/ |
| TTC | TS-3GA-24.605(Rel11)v11.1.0 | 11.1.0 | Approved | Jun 13 | http://www.ttc.or.jp/j/document_list/free/3gpps2013/TS/TS-3GA-24.605(Rel11)v11.1.0.pdf |

5.3.2.12.103 TS 24.606**Message Waiting Indication (MWI) using IP Multimedia (IM) Core Network (CN) subsystem; Protocol specification**

This document specifies the stage three Protocol Description of the Message Waiting Indication (MWI) service, based on stage one and two of the ISDN MWI supplementary services. It provides the protocol details in the IP Multimedia (IM) Core Network (CN) subsystem based on the Session Initiation Protocol (SIP) and the Session Description Protocol (SDP).

| SDO (2) | Document No. | Version | Status | Issued date | Location (1) |
|-------------------|-----------------------------|---------|-----------|-------------|---|
| Release 8 | | | | | |
| CCSA | CCSA-TSD-TDD-24.606 | 8.3.0 | Published | Jun 12 | http://www.ccsa.org.cn/english/tc/files.php?docpath=/ITU-R/M.1457/M.1457-12/TDD |
| ETSI | ETSI TS 124 606 | 8.4.0 | Published | Jul 12 | http://www.etsi.org/deliver/etsi_ts/124600_124699/124606/08.04.00_60/ |
| TTC | TS-3GA-24.606(Rel8)v8.4.0 | 8.4.0 | Approved | Sep 12 | http://www.ttc.or.jp/imt2000/TS/TS24606rel8v830.pdf |
| Release 9 | | | | | |
| ATIS | ATIS.3GPP.24.606V930-2014 | 9.3.0 | Approved | May 14 | https://www.atis.org/docstore/default.aspx |
| CCSA | CCSA-TSD-TDD-24.606 | 9.2.0 | Published | Jun 12 | http://www.ccsa.org.cn/english/tc/files.php?docpath=/ITU-R/M.1457/M.1457-12/TDD |
| ETSI | ETSI TS 124 606 | 9.3.0 | Published | Jul 12 | http://www.etsi.org/deliver/etsi_ts/124600_124699/124606/09.03.00_60/ |
| TTC | TS-3GA-24.606(Rel9)v9.3.0 | 9.3.0 | Approved | Sep 12 | http://www.ttc.or.jp/imt2000/TS/TS24606rel9v920.pdf |
| Release 10 | | | | | |
| ATIS | ATIS.3GPP.24.606V1020-2014 | 10.2.0 | Approved | May 14 | https://www.atis.org/docstore/default.aspx |
| CCSA | CCSA-TSD-TDD-24.606 | 10.1.0 | Published | Jun 12 | http://www.ccsa.org.cn/english/tc/files.php?docpath=/ITU-R/M.1457/M.1457-12/TDD |
| ETSI | ETSI TS 124 606 | 10.2.0 | Published | Jul 12 | http://www.etsi.org/deliver/etsi_ts/124600_124699/124606/10.02.00_60/ |
| TTC | TS-3GA-24.606(Rel10)v10.2.0 | 10.2.0 | Approved | Sep 12 | http://www.ttc.or.jp/j/document_list/free/3gpps2011/TS/TS-3GA-24.606(Rel10)v10.1.0.pdf |

Release 11

| | | | | | |
|------|-----------------------------|--------|-----------|--------|---|
| ATIS | ATIS.3GPP.24.606V1110-2014 | 11.1.0 | Approved | May 14 | https://www.atis.org/docstore/default.aspx |
| CCSA | CCSA-TSD-TDD-24.606 | 11.1.0 | Published | Jun 14 | http://www.ccsa.org.cn/english/tc/files.php?docpath=/ITU-R/M.1457/M.1457-12/TDD |
| ETSI | ETSI TS 124 606 | 11.1.0 | Published | Oct 12 | http://www.etsi.org/deliver/etsi_ts/124600_124699/124606/11.01.00_60/ |
| TTC | TS-3GA-24.606(Rel11)v11.1.0 | 11.1.0 | Approved | Jun 13 | http://www.ttc.or.jp/j/document_list/free/3gpps2013/TS/TS-3GA-24.606(Rel11)v11.1.0.pdf |

5.3.2.12.104 TS 24.607**Originating Identification Presentation (OIP) and Originating Identification Restriction (OIR) using IP Multimedia (IM) Core Network (CN) subsystem; Protocol specification**

This document specifies the stage three (protocol description) of the Originating Identification Presentation (OIP) supplementary service and the Originating Identification Restriction (OIR) supplementary services, based on stage one and two of the ISDN CLIP and CLIR supplementary service. It provides the protocol details in the IP Multimedia (IM) Core Network (CN) subsystem based on the Session Initiation Protocol (SIP) and the Session Description Protocol (SDP).

| SDO (2) | Document No. | Version | Status | Issued date | Location (1) |
|-------------------|-----------------------------|---------|-----------|-------------|---|
| Release 8 | | | | | |
| CCSA | CCSA-TSD-TDD-24.607 | 8.4.0 | Published | Jun 12 | http://www.ccsa.org.cn/english/tc/files.php?docpath=/ITU-R/M.1457/M.1457-12/TDD |
| ETSI | ETSI TS 124 607 | 8.4.0 | Published | Jan 10 | http://www.etsi.org/deliver/etsi_ts/124600_124699/124607/08.04.00_60/ |
| TTC | TS-3GA-24.607(Rel8)v8.4.0 | 8.4.0 | Approved | Apr 10 | http://www.ttc.or.jp/j/document_list/free/3gpps2010/TS/TS-3GA-24.607(Rel8)v8.4.0.pdf |
| Release 9 | | | | | |
| ATIS | ATIS.3GPP.24.607V910-2010 | 9.1.0 | Approved | Jul 10 | https://www.atis.org/docstore/default.aspx |
| CCSA | CCSA-TSD-TDD-24.607 | 9.1.0 | Published | Jun 12 | http://www.ccsa.org.cn/english/tc/files.php?docpath=/ITU-R/M.1457/M.1457-12/TDD |
| ETSI | ETSI TS 124 607 | 9.1.0 | Published | Apr 10 | http://www.etsi.org/deliver/etsi_ts/124600_124699/124607/09.01.00_60/ |
| TTC | TS-3GA-24.607(Rel9)v9.1.0 | 9.1.0 | Approved | Jul 10 | http://www.ttc.or.jp/j/document_list/free/3gpps2010/TS/TS-3GA-24.607(Rel9)v9.1.0.pdf |
| Release 10 | | | | | |
| ATIS | ATIS.3GPP.24.607V1000-2012 | 10.0.0 | Approved | Jul 12 | https://www.atis.org/docstore/default.aspx |
| CCSA | CCSA-TSD-TDD-24.607 | 10.0.0 | Published | Jun 12 | http://www.ccsa.org.cn/english/tc/files.php?docpath=/ITU-R/M.1457/M.1457-12/TDD |
| ETSI | ETSI TS 124 607 | 10.0.0 | Published | May 11 | http://www.etsi.org/deliver/etsi_ts/124600_124699/124607/10.00.00_60/ |
| TTC | TS-3GA-24.607(Rel10)v10.0.0 | 10.0.0 | Approved | Jun 11 | http://www.ttc.or.jp/j/document_list/free/3gpps2011/TS/TS-3GA-24.607(Rel10)v10.0.0.pdf |
| Release 11 | | | | | |
| ATIS | ATIS.3GPP.24.607V1120-2014 | 11.2.0 | Approved | May 14 | https://www.atis.org/docstore/default.aspx |
| CCSA | CCSA-TSD-TDD-24.607 | 11.3.0 | Published | Jun 14 | http://www.ccsa.org.cn/english/tc/files.php?docpath=/ITU-R/M.1457/M.1457-12/TDD |
| ETSI | ETSI TS 124 607 | 11.2.0 | Published | Jan 13 | http://www.etsi.org/deliver/etsi_ts/124600_124699/124607/11.02.00_60/ |
| TTC | TS-3GA-24.607(Rel11)v11.2.0 | 11.2.0 | Approved | Jun 13 | http://www.ttc.or.jp/j/document_list/free/3gpps2013/TS/TS-3GA-24.607(Rel11)v11.2.0.pdf |

5.3.2.12.105 TS 24.608**Terminating Identification Presentation (TIP) and Terminating Identification Restriction (TIR) using IP Multimedia (IM) Core Network (CN) subsystem; Protocol specification**

This document specifies the stage three protocol description of the Terminating Identification Presentation (TIP) and Terminating Identification Restriction

(TIR) services, based on stage one and two of the ISDN COLP and COLR supplementary services. It provides the protocol details in the IP Multimedia (IM) Core Network (CN) subsystem based on the Session Initiation Protocol (SIP) and the Session Description Protocol (SDP).

| SDO (2) | Document No. | Version | Status | Issued date | Location (1) |
|-------------------|-----------------------------|---------|-----------|-------------|---|
| Release 8 | | | | | |
| CCSA | CCSA-TSD-TDD-24.608 | 8.4.0 | Published | Jun 12 | http://www.ccsa.org.cn/english/tc/files.php?docpath=/ITU-R/M.1457/M.1457-12/TDD |
| ETSI | ETSI TS 124 608 | 8.4.0 | Published | Jun 10 | http://www.etsi.org/deliver/etsi_ts/124600_124699/124608/08.04.00_60/ |
| TTC | TS-3GA-24.608(Rel8)v8.4.0 | 8.4.0 | Approved | Oct 10 | http://www.ttc.or.jp/j/document_list/free/3gpps2010/TS/TS-3GA-24.608(Rel8)v8.4.0.pdf |
| Release 9 | | | | | |
| ATIS | ATIS.3GPP.24.608V910-2012 | 9.1.0 | Approved | Jul 12 | https://www.atis.org/docstore/default.aspx |
| CCSA | CCSA-TSD-TDD-24.608 | 9.1.0 | Published | Jun 12 | http://www.ccsa.org.cn/english/tc/files.php?docpath=/ITU-R/M.1457/M.1457-12/TDD |
| ETSI | ETSI TS 124 608 | 9.1.0 | Published | Jun 10 | http://www.etsi.org/deliver/etsi_ts/124600_124699/124608/09.01.00_60/ |
| TTC | TS-3GA-24.608(Rel9)v9.1.0 | 9.1.0 | Approved | Oct 10 | http://www.ttc.or.jp/j/document_list/free/3gpps2010/TS/TS-3GA-24.608(Rel9)v9.1.0.pdf |
| Release 10 | | | | | |
| ATIS | ATIS.3GPP.24.608V1000-2012 | 10.0.0 | Approved | Jul 12 | https://www.atis.org/docstore/default.aspx |
| CCSA | CCSA-TSD-TDD-24.608 | 10.0.0 | Published | Jun 12 | http://www.ccsa.org.cn/english/tc/files.php?docpath=/ITU-R/M.1457/M.1457-12/TDD |
| ETSI | ETSI TS 124 608 | 10.0.0 | Published | May 11 | http://www.etsi.org/deliver/etsi_ts/124600_124699/124608/10.00.00_60/ |
| TTC | TS-3GA-24.608(Rel10)v10.0.0 | 10.0.0 | Approved | Jun 11 | http://www.ttc.or.jp/j/document_list/free/3gpps2011/TS/TS-3GA-24.608(Rel10)v10.0.0.pdf |
| Release 11 | | | | | |
| ATIS | ATIS.3GPP.24.608V1120-2014 | 11.2.0 | Approved | May 14 | https://www.atis.org/docstore/default.aspx |
| CCSA | CCSA-TSD-TDD-24.608 | 11.3.0 | Published | Jun 14 | http://www.ccsa.org.cn/english/tc/files.php?docpath=/ITU-R/M.1457/M.1457-12/TDD |
| ETSI | ETSI TS 124 608 | 11.2.0 | Published | Oct 12 | http://www.etsi.org/deliver/etsi_ts/124600_124699/124608/11.02.00_60/ |
| TTC | TS-3GA-24.608(Rel11)v11.2.0 | 11.2.0 | Approved | Jun 13 | http://www.ttc.or.jp/jp/document_list/free/3gpps2013/TS/TS-3GA-24.608(Rel11)v11.2.0.pdf |

5.3.2.12.106 TS 24.610

Communication HOLD (HOLD) using IP Multimedia (IM) Core Network (CN) subsystem; Protocol specification

This document specifies the stage three Protocol Description of the Communication Hold (HOLD) services, based on stages one and two of the ISDN Hold (HOLD) supplementary services. It provides the protocol details in the IP Multimedia (IM) Core Network (CN) subsystem based on the Session Initiation Protocol (SIP) and the Session Description Protocol (SDP).

| SDO (2) | Document No. | Version | Status | Issued date | Location (1) |
|-------------------|---------------------------|---------|-----------|-------------|---|
| Release 8 | | | | | |
| CCSA | CCSA-TSD-TDD-24.610 | 8.4.0 | Published | Jun 12 | http://www.ccsa.org.cn/english/tc/files.php?docpath=/ITU-R/M.1457/M.1457-12/TDD |
| ETSI | ETSI TS 124 610 | 8.5.0 | Published | Jan 13 | http://www.etsi.org/deliver/etsi_ts/124600_124699/124610/08.05.00_60/ |
| TTC | TS-3GA-24.610(Rel8)v8.5.0 | 8.5.0 | Approved | Jun 13 | http://www.ttc.or.jp/jp/document_list/free/3gpps2013/TS/TS-3GA-24.610(Rel8)v8.5.0.pdf |
| Release 9 | | | | | |
| ATIS | ATIS.3GPP.24.610V920-2014 | 9.2.0 | Approved | May 14 | https://www.atis.org/docstore/default.aspx |
| CCSA | CCSA-TSD-TDD-24.610 | 9.1.0 | Published | Jun 12 | http://www.ccsa.org.cn/english/tc/files.php?docpath=/ITU-R/M.1457/M.1457-12/TDD |
| ETSI | ETSI TS 124 610 | 9.2.0 | Published | Jan 13 | http://www.etsi.org/deliver/etsi_ts/124600_124699/124610/09.02.00_60/ |
| TTC | TS-3GA-24.610(Rel9)v9.2.0 | 9.2.0 | Approved | Jun 13 | http://www.ttc.or.jp/jp/document_list/free/3gpps2013/TS/TS-3GA-24.610(Rel9)v9.2.0.pdf |
| Release 10 | | | | | |

| | | | | | |
|------|-----------------------------|--------|-----------|--------|---|
| ATIS | ATIS.3GPP.24.610V1010-2014 | 10.1.0 | Approved | May 14 | https://www.atis.org/docstore/default.aspx |
| CCSA | CCSA-TSD-TDD-24.610 | 10.0.0 | Published | Jun 12 | http://www.ccsa.org.cn/english/tc/files.php?docpath=/ITU-R/M.1457/M.1457-12/TDD |
| ETSI | ETSI TS 124 610 | 10.1.0 | Published | Jan 13 | http://www.etsi.org/deliver/etsi_ts/124600_124699/124610/10.01.00_60/ |
| TTC | TS-3GA-24.610(Rel10)v10.1.0 | 10.1.0 | Approved | Jun 13 | http://www.ttc.or.jp/jp/document_list/free/3gpps2013/TS/TS-3GA-24.610(Rel10)v10.1.0.pdf |

Release 11

| | | | | | |
|------|-----------------------------|--------|-----------|--------|---|
| ATIS | ATIS.3GPP.24.610V1120-2014 | 11.2.0 | Approved | May 14 | https://www.atis.org/docstore/default.aspx |
| CCSA | CCSA-TSD-TDD-24.610 | 11.3.0 | Published | Jun 14 | http://www.ccsa.org.cn/english/tc/files.php?docpath=/ITU-R/M.1457/M.1457-12/TDD |
| ETSI | ETSI TS 124 610 | 11.2.0 | Published | Jan 13 | http://www.etsi.org/deliver/etsi_ts/124600_124699/124610/11.02.00_60/ |
| TTC | TS-3GA-24.610(Rel11)v11.2.0 | 11.2.0 | Approved | Jun 13 | http://www.ttc.or.jp/jp/document_list/free/3gpps2013/TS/TS-3GA-24.610(Rel11)v11.2.0.pdf |

5.3.2.12.107 TS 24.611**Anonymous Communication Rejection (ACR) and Communication Barring (CB) using IP Multimedia (IM) Core Network (CN) subsystem; Protocol specification**

This document specifies the stage three, Protocol Description of the Anonymous Communication Rejection (ACR) and Communication Barring (CB) supplementary service, based on stage one and two of the ISDN supplementary service Anonymous Call Rejection (ACR), Incoming Communication Barring (ICB) and Outgoing Communication Barring (OCB). It provides the protocol details in the IP Multimedia (IM) Core Network (CN) subsystem based on the Session Initiation Protocol (SIP) and the Session Description Protocol (SDP).

| SDO (2) | Document No. | Version | Status | Issued date | Location (1) |
|-------------------|-----------------------------|---------|-----------|-------------|---|
| Release 8 | | | | | |
| CCSA | CCSA-TSD-TDD-24.611 | 8.4.0 | Published | Jun 12 | http://www.ccsa.org.cn/english/tc/files.php?docpath=/ITU-R/M.1457/M.1457-12/TDD |
| ETSI | ETSI TS 124 611 | 8.4.0 | Published | Jan 12 | http://www.etsi.org/deliver/etsi_ts/124600_124699/124611/08.04.00_60/ |
| TTC | TS-3GA-24.611(Rel8)v8.4.0 | 8.4.0 | Approved | Feb 12 | http://www.ttc.or.jp/jp/document_list/free/3gpps2012/TS/TS-3GA-24.611(Rel8)v8.4.0.pdf |
| Release 9 | | | | | |
| ATIS | ATIS.3GPP.24.611V950-2014 | 9.5.0 | Approved | May 14 | https://www.atis.org/docstore/default.aspx |
| CCSA | CCSA-TSD-TDD-24.611 | 9.5.0 | Published | Jun 12 | http://www.ccsa.org.cn/english/tc/files.php?docpath=/ITU-R/M.1457/M.1457-12/TDD |
| ETSI | ETSI TS 124 611 | 9.5.0 | Published | Jan 12 | http://www.etsi.org/deliver/etsi_ts/124600_124699/124611/09.05.00_60/ |
| TTC | TS-3GA-24.611(Rel9)v9.5.0 | 9.5.0 | Approved | Feb 12 | http://www.ttc.or.jp/jp/document_list/free/3gpps2012/TS/TS-3GA-24.611(Rel9)v9.5.0.pdf |
| Release 10 | | | | | |
| ATIS | ATIS.3GPP.24.611V1020-2014 | 10.2.0 | Approved | May 14 | https://www.atis.org/docstore/default.aspx |
| CCSA | CCSA-TSD-TDD-24.611 | 10.2.0 | Published | Jun 12 | http://www.ccsa.org.cn/english/tc/files.php?docpath=/ITU-R/M.1457/M.1457-12/TDD |
| ETSI | ETSI TS 124 611 | 10.2.0 | Published | Jan 12 | http://www.etsi.org/deliver/etsi_ts/124600_124699/124611/10.02.00_60/ |
| TTC | TS-3GA-24.611(Rel10)v10.2.0 | 10.2.0 | Approved | Feb 12 | http://www.ttc.or.jp/jp/document_list/free/3gpps2012/TS/TS-3GA-24.611(Rel10)v10.2.0.pdf |
| Release 11 | | | | | |
| ATIS | ATIS.3GPP.24.611V1120-2014 | 11.2.0 | Approved | May 14 | https://www.atis.org/docstore/default.aspx |
| CCSA | CCSA-TSD-TDD-24.611 | 11.2.0 | Published | Jun 14 | http://www.ccsa.org.cn/english/tc/files.php?docpath=/ITU-R/M.1457/M.1457-12/TDD |
| ETSI | ETSI TS 124 611 | 11.2.0 | Published | Oct 12 | http://www.etsi.org/deliver/etsi_ts/124600_124699/124611/11.02.00_60/ |
| TTC | TS-3GA-24.611(Rel11)v11.2.0 | 11.2.0 | Approved | Jun 13 | http://www.ttc.or.jp/jp/document_list/free/3gpps2013/TS/TS-3GA-24.611(Rel11)v11.2.0.pdf |

5.3.2.12.108 TS 24.615**Communication Waiting (CW) using IP Multimedia (IM) Core Network (CN) subsystem; Protocol Specification**

This document specifies the stage 3, Protocol Description of the Communication Waiting (CW) service, based on Stage 1 and Stage 2 of the ISDN call waiting supplementary services. It provides the protocol details in the IP Multimedia (IM) Core Network (CN) subsystem based on the Session Initiation Protocol (SIP) and the Session Description Protocol (SDP).

| SDO (2) | Document No. | Version | Status | Issued date | Location (1) |
|-------------------|-----------------------------|---------|-----------|-------------|---|
| Release 8 | | | | | |
| CCSA | CCSA-TSD-TDD-24.615 | 8.6.0 | Published | Jun 12 | http://www.ccsa.org.cn/english/tc/files.php?docpath=/ITU-R/M.1457/M.1457-12/TDD |
| ETSI | ETSI TS 124 615 | 8.8.0 | Published | Apr 13 | http://www.etsi.org/deliver/etsi_ts/124600_124699/124615/08.08.00_60/ |
| TTC | TS-3GA-24.615(Rel8)v8.8.0 | 8.8.0 | Approved | Jun 13 | http://www.ttc.or.jp/jp/document_list/free/3gpps2013/TS/TS-3GA-24.615(Rel8)v8.8.0.pdf |
| Release 9 | | | | | |
| ATIS | ATIS.3GPP.24.615V970-2014 | 9.7.0 | Approved | May 14 | https://www.atis.org/docstore/default.aspx |
| CCSA | CCSA-TSD-TDD-24.615 | 9.5.0 | Published | Jun 12 | http://www.ccsa.org.cn/english/tc/files.php?docpath=/ITU-R/M.1457/M.1457-12/TDD |
| ETSI | ETSI TS 124 615 | 9.7.0 | Published | Apr 13 | http://www.etsi.org/deliver/etsi_ts/124600_124699/124615/09.07.00_60/ |
| TTC | TS-3GA-24.615(Rel9)v9.7.0 | 9.7.0 | Approved | Jun 13 | http://www.ttc.or.jp/jp/document_list/free/3gpps2013/TS/TS-3GA-24.615(Rel9)v9.7.0.pdf |
| Release 10 | | | | | |
| ATIS | ATIS.3GPP.24.615V1040-2014 | 10.4.0 | Approved | May 14 | https://www.atis.org/docstore/default.aspx |
| CCSA | CCSA-TSD-TDD-24.615 | 10.2.0 | Published | Jun 12 | http://www.ccsa.org.cn/english/tc/files.php?docpath=/ITU-R/M.1457/M.1457-12/TDD |
| ETSI | ETSI TS 124 615 | 10.4.0 | Published | Apr 13 | http://www.etsi.org/deliver/etsi_ts/124600_124699/124615/10.04.00_60/ |
| TTC | TS-3GA-24.615(Rel10)v10.4.0 | 10.4.0 | Approved | Jun 13 | http://www.ttc.or.jp/jp/document_list/free/3gpps2013/TS/TS-3GA-24.615(Rel10)v10.4.0.pdf |
| Release 11 | | | | | |
| ATIS | ATIS.3GPP.24.615V1120-2014 | 11.2.0 | Approved | May 14 | https://www.atis.org/docstore/default.aspx |
| CCSA | CCSA-TSD-TDD-24.615 | 11.3.0 | Published | Jun 14 | http://www.ccsa.org.cn/english/tc/files.php?docpath=/ITU-R/M.1457/M.1457-12/TDD |
| ETSI | ETSI TS 124 615 | 11.2.0 | Published | Apr 13 | http://www.etsi.org/deliver/etsi_ts/124600_124699/124615/11.02.00_60/ |
| TTC | TS-3GA-24.615(Rel11)v11.2.0 | 11.2.0 | Approved | Jun 13 | http://www.ttc.or.jp/jp/document_list/free/3gpps2013/TS/TS-3GA-24.615(Rel11)v11.2.0.pdf |

5.3.2.12.109 TS 24.616**Malicious Communication Identification (MCID) using IP Multimedia (IM) Core Network (CN) subsystem; Protocol specification**

This document specifies the stage three Protocol Description of the Malicious Call Communication Identification (MCID) service based on the stage one and two of ISDN Malicious Call Identification supplementary service. It provides the protocol details in the IP Multimedia (IM) Core Network (CN) subsystem based on the Session Initiation Protocol (SIP) and the Session Description Protocol (SDP). The MCID service will store session related information independent of the service requested.

| SDO (2) | Document No. | Version | Status | Issued date | Location (1) |
|------------------|---------------------------|---------|-----------|-------------|---|
| Release 8 | | | | | |
| CCSA | CCSA-TSD-TDD-24.616 | 8.7.0 | Published | Jun 12 | http://www.ccsa.org.cn/english/tc/files.php?docpath=/ITU-R/M.1457/M.1457-12/TDD |
| ETSI | ETSI TS 124 616 | 8.7.0 | Published | Oct 10 | http://www.etsi.org/deliver/etsi_ts/124600_124699/124616/08.07.00_60/ |
| TTC | TS-3GA-24.616(Rel8)v8.7.0 | 8.7.0 | Approved | Dec 10 | http://www.ttc.or.jp/jp/document_list/free/3gpps2010/TS/TS-3GA-24.616(Rel8)v8.7.0.pdf |
| Release 9 | | | | | |

| | | | | | |
|-------------------|-----------------------------|--------|-----------|--------|---|
| ATIS | ATIS.3GPP.24.616V920-2012 | 9.2.0 | Approved | Jul 12 | https://www.atis.org/docstore/default.aspx |
| CCSA | CCSA-TSD-TDD-24.616 | 9.2.0 | Published | Jun 12 | http://www.ccsa.org.cn/english/tc/files.php?docpath=/ITU-R/M.1457/M.1457-12/TDD |
| ETSI | ETSI TS 124 616 | 9.2.0 | Published | Oct 10 | http://www.etsi.org/deliver/etsi_ts/124600_124699/124616/09.02.00_60/ |
| TTC | TS-3GA-24.616(Rel9)v9.2.0 | 9.2.0 | Approved | Dec 10 | http://www.ttc.or.jp/j/document_list/free/3gpps2010/TS/TS-3GA-24.616(Rel9)v9.2.0.pdf |
| Release 10 | | | | | |
| ATIS | ATIS.3GPP.24.616V1000-2012 | 10.0.0 | Approved | Jul 12 | https://www.atis.org/docstore/default.aspx |
| CCSA | CCSA-TSD-TDD-24.616 | 10.0.0 | Published | Jun 12 | http://www.ccsa.org.cn/english/tc/files.php?docpath=/ITU-R/M.1457/M.1457-12/TDD |
| ETSI | ETSI TS 124 616 | 10.0.0 | Published | Mar 11 | http://www.etsi.org/deliver/etsi_ts/124600_124699/124616/10.00.00_60/ |
| TTC | TS-3GA-24.616(Rel10)v10.0.0 | 10.0.0 | Approved | Jun 11 | http://www.ttc.or.jp/j/document_list/free/3gpps2011/TS/TS-3GA-24.616(Rel10)v10.0.0.pdf |
| Release 11 | | | | | |
| ATIS | ATIS.3GPP.24.616V1110-2014 | 11.1.0 | Approved | May 14 | https://www.atis.org/docstore/default.aspx |
| CCSA | CCSA-TSD-TDD-24.616 | 11.1.0 | Published | Jun 14 | http://www.ccsa.org.cn/english/tc/files.php?docpath=/ITU-R/M.1457/M.1457-12/TDD |
| ETSI | ETSI TS 124 616 | 11.1.0 | Published | Jan 13 | http://www.etsi.org/deliver/etsi_ts/124600_124699/124616/11.01.00_60/ |
| TTC | TS-3GA-24.616(Rel11)v11.1.0 | 11.1.0 | Approved | Jun 13 | http://www.ttc.or.jp/j/document_list/free/3gpps2013/TS/TS-3GA-24.616(Rel11)v11.1.0.pdf |

5.3.2.12.110 TS 24.623

Extensible Markup Language (XML) Configuration Access Protocol (XCAP) over the Ut interface for Manipulating Supplementary Services

This document defines a protocol used for manipulating data related to supplementary services. The protocol is based on the eXtensible Markup Language (XML) Configuration Access Protocol (XCAP) RFC 4825. A new XCAP application usage is defined for the purpose of manipulating the supplementary services data. The common XCAP related aspects that are applicable to supplementary services are specified in this document. The protocol allows authorized users to manipulate service related data either when they are connected to IMS or when they are connected to non IMS networks (e.g. the public Internet).

| SDO (2) | Document No. | Version | Status | Issued date | Location (1) |
|-------------------|-----------------------------|---------|-----------|-------------|---|
| Release 8 | | | | | |
| CCSA | CCSA-TSD-TDD-24.623 | 8.4.0 | Published | Jun 12 | http://www.ccsa.org.cn/english/tc/files.php?docpath=/ITU-R/M.1457/M.1457-12/TDD |
| ETSI | ETSI TS 124 623 | 8.5.0 | Published | Mar 12 | http://www.etsi.org/deliver/etsi_ts/124600_124699/124623/08.05.00_60/ |
| TTC | TS-3GA-24.623(Rel8)v8.5.0 | 8.5.0 | Approved | Dec 12 | http://www.ttc.or.jp/j/document_list/free/3gpps2012/TS/TS-3GA-24.623(Rel8)v8.5.0.pdf |
| Release 9 | | | | | |
| ATIS | ATIS.3GPP.24.623V950-2014 | 9.5.0 | Approved | May 14 | https://www.atis.org/docstore/default.aspx |
| CCSA | CCSA-TSD-TDD-24.623 | 9.4.0 | Published | Jun 12 | http://www.ccsa.org.cn/english/tc/files.php?docpath=/ITU-R/M.1457/M.1457-12/TDD |
| ETSI | ETSI TS 124 623 | 9.5.0 | Published | Mar 12 | http://www.etsi.org/deliver/etsi_ts/124600_124699/124623/09.05.00_60/ |
| TTC | TS-3GA-24.623(Rel9)v9.5.0 | 9.5.0 | Approved | Jun 12 | http://www.ttc.or.jp/j/document_list/free/3gpps2012/TS/TS-3GA-24.623(Rel9)v9.5.0.pdf |
| Release 10 | | | | | |
| ATIS | ATIS.3GPP.24.623V1030-2014 | 10.3.0 | Approved | May 14 | https://www.atis.org/docstore/default.aspx |
| CCSA | CCSA-TSD-TDD-24.623 | 10.2.0 | Published | Jun 12 | http://www.ccsa.org.cn/english/tc/files.php?docpath=/ITU-R/M.1457/M.1457-12/TDD |
| ETSI | ETSI TS 124 623 | 10.3.0 | Published | Mar 12 | http://www.etsi.org/deliver/etsi_ts/124600_124699/124623/10.03.00_60/ |
| TTC | TS-3GA-24.623(Rel10)v10.3.0 | 10.3.0 | Approved | Jun 12 | http://www.ttc.or.jp/j/document_list/free/3gpps2012/TS/TS-3GA-24.623(Rel10)v10.3.0.pdf |
| Release 11 | | | | | |
| ATIS | ATIS.3GPP.24.623V1110-2014 | 11.1.0 | Approved | May 14 | https://www.atis.org/docstore/default.aspx |
| CCSA | CCSA-TSD-TDD-24.623 | 11.1.0 | Published | Jun 14 | http://www.ccsa.org.cn/english/tc/files.php?docpath=/ITU-R/M.1457/M.1457-12/TDD |

| | | | | | |
|------|-----------------------------|--------|-----------|--------|---|
| ETSI | ETSI TS 124 623 | 11.1.0 | Published | Jan 13 | http://www.etsi.org/deliver/etsi_ts/124600_124699/124623/11.01.00_60/ |
| TTC | TS-3GA-24.623(Rel11)v11.1.0 | 11.1.0 | Approved | Jun 13 | http://www.ttc.or.jp/j/document_list/free/3gpps2013/TS/TS-3GA-24.623(Rel11)v11.1.0.pdf |

5.3.2.12.111 TS 24.628

Common Basic Communication procedures using IP Multimedia (IM) Core Network (CN) subsystem; Protocol specification

This document describes the stage three protocol for basic communication procedures common to several services in the IP Multimedia (IM) Core Network (CN) subsystem when at least one Application Server (AS) is included in the communication. The common procedures are based on stage three specifications for supplementary services.

| SDO (2) | Document No. | Version | Status | Issued date | Location (1) |
|-------------------|-----------------------------|---------|-----------|-------------|---|
| Release 8 | | | | | |
| CCSA | CCSA-TSD-TDD-24.628 | 8.5.0 | Published | Jun 12 | http://www.ccsa.org.cn/english/tc/files.php?docpath=/ITU-R/M.1457/M.1457-12/TDD |
| ETSI | ETSI TS 124 628 | 8.6.0 | Published | Jan 13 | http://www.etsi.org/deliver/etsi_ts/124600_124699/124628/08.06.00_60/ |
| TTC | TS-3GA-24.628(Rel8)v8.6.0 | 8.6.0 | Approved | Jun 13 | http://www.ttc.or.jp/j/document_list/free/3gpps2013/TS/TS-3GA-24.628(Rel8)v8.6.0.pdf |
| Release 9 | | | | | |
| ATIS | ATIS.3GPP.24.628V950-2014 | 9.5.0 | Approved | May 14 | https://www.atis.org/docstore/default.aspx |
| CCSA | CCSA-TSD-TDD-24.628 | 9.4.0 | Published | Jun 12 | http://www.ccsa.org.cn/english/tc/files.php?docpath=/ITU-R/M.1457/M.1457-12/TDD |
| ETSI | ETSI TS 124 628 | 9.5.0 | Published | Jan 13 | http://www.etsi.org/deliver/etsi_ts/124600_124699/124628/09.05.00_60/ |
| TTC | TS-3GA-24.628(Rel9)v9.5.0 | 9.5.0 | Approved | Jun 13 | http://www.ttc.or.jp/j/document_list/free/3gpps2013/TS/TS-3GA-24.628(Rel9)v9.5.0.pdf |
| Release 10 | | | | | |
| ATIS | ATIS.3GPP.24.628V1030-2012 | 10.3.0 | Approved | Jul 12 | https://www.atis.org/docstore/default.aspx |
| CCSA | CCSA-TSD-TDD-24.628 | 10.3.0 | Published | Jun 12 | http://www.ccsa.org.cn/english/tc/files.php?docpath=/ITU-R/M.1457/M.1457-12/TDD |
| ETSI | ETSI TS 124 628 | 10.4.0 | Published | Jan 13 | http://www.etsi.org/deliver/etsi_ts/124600_124699/124628/10.04.00_60/ |
| TTC | TS-3GA-24.628(Rel10)v10.4.0 | 10.4.0 | Approved | Jun 13 | http://www.ttc.or.jp/j/document_list/free/3gpps2013/TS/TS-3GA-24.628(Rel10)v10.4.0.pdf |
| Release 11 | | | | | |
| ATIS | ATIS.3GPP.24.628V1120-2014 | 11.2.0 | Approved | May 14 | https://www.atis.org/docstore/default.aspx |
| CCSA | CCSA-TSD-TDD-24.628 | 11.2.0 | Published | Jun 14 | http://www.ccsa.org.cn/english/tc/files.php?docpath=/ITU-R/M.1457/M.1457-12/TDD |
| ETSI | ETSI TS 124 628 | 11.2.0 | Published | Apr 13 | http://www.etsi.org/deliver/etsi_ts/124600_124699/124628/11.02.00_60/ |
| TTC | TS-3GA-24.628(Rel11)v11.2.0 | 11.2.0 | Approved | Jun 13 | http://www.ttc.or.jp/j/document_list/free/3gpps2013/TS/TS-3GA-24.628(Rel11)v11.2.0.pdf |

5.3.2.12.112 TS 24.629

Explicit Communication Transfer (ECT) using IP Multimedia (IM) Core Network (CN) subsystem; Protocol specification

This document specifies the stage three (protocol description) of the Explicit Communication transfer (ECT) supplementary service, based on stage one and two of the ISDN ECT supplementary service. It provides the protocol details in the IP Multimedia (IM) Core Network (CN) subsystem based on the Session Initiation Protocol (SIP) and the Session Description Protocol (SDP).

| SDO (2) | Document No. | Version | Status | Issued date | Location (1) |
|------------------|---------------------|---------|-----------|-------------|---|
| Release 8 | | | | | |
| CCSA | CCSA-TSD-TDD-24.629 | 8.3.0 | Published | Jun 12 | http://www.ccsa.org.cn/english/tc/files.php?docpath=/ITU-R/M.1457/M.1457-12/TDD |
| ETSI | ETSI TS 124 629 | 8.4.0 | Published | Jan 13 | http://www.etsi.org/deliver/etsi_ts/124600_124699/124629/08.04.00_60/ |

| | | | | | |
|-------------------|-----------------------------|--------|-----------|--------|---|
| TTC | TS-3GA-24.629(Rel8)v8.4.0 | 8.4.0 | Approved | Jun 13 | http://www.ttc.or.jp/j/document_list/free/3gpps2013/TS/TS-3GA-24.629(Rel8)v8.4.0.pdf |
| Release 9 | | | | | |
| ATIS | ATIS.3GPP.24.629V910-2014 | 9.1.0 | Approved | May 14 | https://www.atis.org/docstore/default.aspx |
| CCSA | CCSA-TSD-TDD-24.629 | 9.0.0 | Published | Jun 12 | http://www.ccsa.org.cn/english/tc/files.php?docpath=/ITU-R/M.1457/M.1457-12/TDD |
| ETSI | ETSI TS 124 629 | 9.1.0 | Published | Jan 13 | http://www.etsi.org/deliver/etsi_ts/124600_124699/124629/09.01.00_60/ |
| TTC | TS-3GA-24.629(Rel9)v9.1.0 | 9.1.0 | Approved | Jun 13 | http://www.ttc.or.jp/j/document_list/free/3gpps2013/TS/TS-3GA-24.629(Rel9)v9.1.0.pdf |
| Release 10 | | | | | |
| ATIS | ATIS.3GPP.24.629V1020-2014 | 10.2.0 | Approved | May 14 | https://www.atis.org/docstore/default.aspx |
| CCSA | CCSA-TSD-TDD-24.629 | 10.0.0 | Published | Jun 12 | http://www.ccsa.org.cn/english/tc/files.php?docpath=/ITU-R/M.1457/M.1457-12/TDD |
| ETSI | ETSI TS 124 629 | 10.2.0 | Published | Apr 13 | http://www.etsi.org/deliver/etsi_ts/124600_124699/124629/10.02.00_60/ |
| TTC | TS-3GA-24.629(Rel10)v10.2.0 | 10.2.0 | Approved | Jun 13 | http://www.ttc.or.jp/j/document_list/free/3gpps2013/TS/TS-3GA-24.629(Rel10)v10.2.0.pdf |
| Release 11 | | | | | |
| ATIS | ATIS.3GPP.24.629V1120-2014 | 11.2.0 | Approved | May 14 | https://www.atis.org/docstore/default.aspx |
| CCSA | CCSA-TSD-TDD-24.629 | 11.3.0 | Published | Jun 14 | http://www.ccsa.org.cn/english/tc/files.php?docpath=/ITU-R/M.1457/M.1457-12/TDD |
| ETSI | ETSI TS 124 629 | 11.2.0 | Published | Apr 13 | http://www.etsi.org/deliver/etsi_ts/124600_124699/124629/11.02.00_60/ |
| TTC | TS-3GA-24.629(Rel11)v11.2.0 | 11.2.0 | Approved | Jun 13 | http://www.ttc.or.jp/j/document_list/free/3gpps2013/TS/TS-3GA-24.629(Rel11)v11.2.0.pdf |

5.3.2.12.113 TS 24.642

Completion of Communications to Busy Subscriber (CCBS) and Completion of Communications by No Reply (CCNR) using IP Multimedia (IM) Core Network (CN) subsystem; Protocol specification

This document specifies the stage three Protocol Description of the Completion of Communications to Busy Subscriber (CCBS) service and the Completion of Communication on no Reply (CCNR) service, based on stage one and two of the ISDN supplementary services. It provides the protocol details in the IP Multimedia (IM) Core Network (CN) subsystem based on the Session Initiation Protocol (SIP) and the Session Description Protocol (SDP).

| SDO (2) | Document No. | Version | Status | Issued date | Location (1) |
|-------------------|-----------------------------|---------|-----------|-------------|---|
| Release 8 | | | | | |
| CCSA | CCSA-TSD-TDD-24.642 | 8.9.0 | Published | Jun 12 | http://www.ccsa.org.cn/english/tc/files.php?docpath=/ITU-R/M.1457/M.1457-12/TDD |
| ETSI | ETSI TS 124 642 | 8.10.0 | Published | Jul 12 | http://www.etsi.org/deliver/etsi_ts/124600_124699/124642/08.10.00_60/ |
| TTC | TS-3GA-24.642(Rel8)v8.10.0 | 8.10.0 | Approved | Sep 12 | http://www.ttc.or.jp/j/document_list/free/3gpps2012/TS/TS-3GA-24.642(Rel8)v8.10.0.pdf |
| Release 9 | | | | | |
| ATIS | ATIS.3GPP.24.642V990-2014 | 9.9.0 | Approved | May 14 | https://www.atis.org/docstore/default.aspx |
| CCSA | CCSA-TSD-TDD-24.642 | 9.8.0 | Published | Jun 12 | http://www.ccsa.org.cn/english/tc/files.php?docpath=/ITU-R/M.1457/M.1457-12/TDD |
| ETSI | ETSI TS 124 642 | 9.9.0 | Published | Jul 12 | http://www.etsi.org/deliver/etsi_ts/124600_124699/124642/09.09.00_60/ |
| TTC | TS-3GA-24.642(Rel9)v9.9.0 | 9.9.0 | Approved | Sep 12 | http://www.ttc.or.jp/j/document_list/free/3gpps2012/TS/TS-3GA-24.642(Rel9)v9.9.0.pdf |
| Release 10 | | | | | |
| ATIS | ATIS.3GPP.24.642V1060-2014 | 10.6.0 | Approved | May 14 | https://www.atis.org/docstore/default.aspx |
| CCSA | CCSA-TSD-TDD-24.642 | 10.5.0 | Published | Jun 12 | http://www.ccsa.org.cn/english/tc/files.php?docpath=/ITU-R/M.1457/M.1457-12/TDD |
| ETSI | ETSI TS 124 642 | 10.6.0 | Published | Jul 12 | http://www.etsi.org/deliver/etsi_ts/124600_124699/124642/10.06.00_60/ |
| TTC | TS-3GA-24.642(Rel10)v10.6.0 | 10.6.0 | Approved | Sep 12 | http://www.ttc.or.jp/j/document_list/free/3gpps2012/TS/TS-3GA-24.642(Rel10)v10.6.0.pdf |
| Release 11 | | | | | |
| ATIS | ATIS.3GPP.24.642V1130-2014 | 11.3.0 | Approved | May 14 | https://www.atis.org/docstore/default.aspx |

| | | | | | |
|------|-----------------------------|--------|-----------|--------|---|
| CCSA | CCSA-TSD-TDD-24.642 | 11.4.0 | Published | Jun 14 | http://www.ccsa.org.cn/english/tc/files.php?docpath=/ITU-R/M.1457/M.1457-12/TDD |
| ETSI | ETSI TS 124 642 | 11.3.0 | Published | Jan 13 | http://www.etsi.org/deliver/etsi_ts/124600_124699/124642/11.03.00_60/ |
| TTC | TS-3GA-24.642(Rel11)v11.3.0 | 11.3.0 | Approved | Jun 13 | http://www.ttc.or.jp/jp/document_list/free/3gpps2013/TS/TS-3GA-24.642(Rel11)v11.3.0.pdf |

5.3.2.12.114 TS 24.647

Advice Of Charge (AOC) using IP Multimedia (IM) Core Network (CN) subsystem

This document specifies the stage three Protocol Description of the Advice Of Charge (AOC) service, based on Stage 1 and 2 of the ISDN Supplementary Service Advice Of Charge for all calls (permanent mode). It provides the protocol details in the IP Multimedia (IM) Core Network (CN) subsystem based on the Session Initiation Protocol (SIP) and the Session Description Protocol (SDP).

| SDO (2) | Document No. | Version | Status | Issued date | Location (1) |
|-------------------|-----------------------------|---------|-----------|-------------|---|
| Release 8 | | | | | |
| CCSA | CCSA-TSD-TDD-24.647 | 8.4.0 | Published | Jun 12 | http://www.ccsa.org.cn/english/tc/files.php?docpath=/ITU-R/M.1457/M.1457-12/TDD |
| ETSI | ETSI TS 124 647 | 8.4.0 | Published | Oct 10 | http://www.etsi.org/deliver/etsi_ts/124600_124699/124647/08.04.00_60/ |
| TTC | TS-3GA-24.647(Rel8)v8.4.0 | 8.4.0 | Approved | Dec 10 | http://www.ttc.or.jp/jp/document_list/free/3gpps2010/TS/TS-3GA-24.647(Rel8)v8.4.0.pdf |
| Release 9 | | | | | |
| ATIS | ATIS.3GPP.24.647V920-2012 | 9.2.0 | Approved | Jul 12 | https://www.atis.org/docstore/default.aspx |
| CCSA | CCSA-TSD-TDD-24.647 | 9.2.0 | Published | Jun 12 | http://www.ccsa.org.cn/english/tc/files.php?docpath=/ITU-R/M.1457/M.1457-12/TDD |
| ETSI | ETSI TS 124 647 | 9.2.0 | Published | Oct 10 | http://www.etsi.org/deliver/etsi_ts/124600_124699/124647/09.02.00_60/ |
| TTC | TS-3GA-24.647(Rel9)v9.2.0 | 9.2.0 | Approved | Dec 10 | http://www.ttc.or.jp/jp/document_list/free/3gpps2010/TS/TS-3GA-24.647(Rel9)v9.2.0.pdf |
| Release 10 | | | | | |
| ATIS | ATIS.3GPP.24.647V1020-2012 | 10.2.0 | Approved | Jul 12 | https://www.atis.org/docstore/default.aspx |
| CCSA | CCSA-TSD-TDD-24.647 | 10.2.0 | Published | Jun 12 | http://www.ccsa.org.cn/english/tc/files.php?docpath=/ITU-R/M.1457/M.1457-12/TDD |
| ETSI | ETSI TS 124 647 | 10.2.0 | Published | Jun 11 | http://www.etsi.org/deliver/etsi_ts/124600_124699/124647/10.02.00_60/ |
| TTC | TS-3GA-24.647(Rel10)v10.2.0 | 10.2.0 | Approved | Aug 11 | http://www.ttc.or.jp/jp/document_list/free/3gpps2011/TS/TS-3GA-24.647(Rel10)v10.2.0.pdf |
| Release 11 | | | | | |
| ATIS | ATIS.3GPP.24.647V1110-2014 | 11.1.0 | Approved | May 14 | https://www.atis.org/docstore/default.aspx |
| CCSA | CCSA-TSD-TDD-24.647 | 11.1.0 | Published | Jun 14 | http://www.ccsa.org.cn/english/tc/files.php?docpath=/ITU-R/M.1457/M.1457-12/TDD |
| ETSI | ETSI TS 124 647 | 11.1.0 | Published | Nov 12 | http://www.etsi.org/deliver/etsi_ts/124600_124699/124647/11.01.00_60/ |
| TTC | TS-3GA-24.647(Rel11)v11.1.0 | 11.1.0 | Approved | Jun 13 | http://www.ttc.or.jp/jp/document_list/free/3gpps2013/TS/TS-3GA-24.647(Rel11)v11.1.0.pdf |

5.3.2.12.115 TS 24.654

Closed User Group (CUG) using IP Multimedia (IM) Core Network (CN) subsystem; Protocol Specification

This document specifies the stage three Protocol Description of the Closed User Group (CUG) service, based on stage one and two of the ISDN Communication diversion supplementary services. It provides the protocol details in the IP Multimedia (IM) Core Network (CN) subsystem based on the Session Initiation Protocol (SIP) and the Session Description Protocol (SDP).

| SDO (2) | Document No. | Version | Status | Issued date | Location (1) |
|------------------|---------------------|---------|-----------|-------------|---|
| Release 8 | | | | | |
| CCSA | CCSA-TSD-TDD-24.654 | 8.3.0 | Published | Jun 12 | http://www.ccsa.org.cn/english/tc/files.php?docpath=/ITU-R/M.1457/M.1457-12/TDD |

| | | | | | |
|-------------------|-----------------------------|--------|-----------|--------|---|
| ETSI | ETSI TS 124 654 | 8.6.0 | Published | Apr 13 | http://www.etsi.org/deliver/etsi_ts/124600_124699/124654/08.06.00_60/ |
| TTC | TS-3GA-24.654(Rel8)v8.6.0 | 8.6.0 | Approved | Jun 13 | http://www.ttc.or.jp/j/document_list/free/3gpps2013/TS/TS-3GA-24.654(Rel8)v8.6.0.pdf |
| Release 9 | | | | | |
| ATIS | ATIS.3GPP.24.654V940-2014 | 9.4.0 | Approved | May 14 | https://www.atis.org/docstore/default.aspx |
| CCSA | CCSA-TSD-TDD-24.654 | 9.1.0 | Published | Jun 12 | http://www.ccsa.org.cn/english/tc/files.php?docpath=/ITU-R/M.1457/M.1457-12/TDD |
| ETSI | ETSI TS 124 654 | 9.4.0 | Published | Apr 13 | http://www.etsi.org/deliver/etsi_ts/124600_124699/124654/09.04.00_60/ |
| TTC | TS-3GA-24.654(Rel9)v9.4.0 | 9.4.0 | Approved | Jun 13 | http://www.ttc.or.jp/j/document_list/free/3gpps2013/TS/TS-3GA-24.654(Rel9)v9.4.0.pdf |
| Release 10 | | | | | |
| ATIS | ATIS.3GPP.24.654V1030-2014 | 10.3.0 | Approved | May 14 | https://www.atis.org/docstore/default.aspx |
| CCSA | CCSA-TSD-TDD-24.654 | 10.0.0 | Published | Jun 12 | http://www.ccsa.org.cn/english/tc/files.php?docpath=/ITU-R/M.1457/M.1457-12/TDD |
| ETSI | ETSI TS 124 654 | 10.3.0 | Published | Apr 13 | http://www.etsi.org/deliver/etsi_ts/124600_124699/124654/10.03.00_60/ |
| TTC | TS-3GA-24.654(Rel10)v10.3.0 | 10.3.0 | Approved | Jun 13 | http://www.ttc.or.jp/j/document_list/free/3gpps2013/TS/TS-3GA-24.654(Rel10)v10.3.0.pdf |
| Release 11 | | | | | |
| ATIS | ATIS.3GPP.24.654V1110-2014 | 11.1.0 | Approved | May 14 | https://www.atis.org/docstore/default.aspx |
| CCSA | CCSA-TSD-TDD-24.654 | 11.1.0 | Published | Jun 14 | http://www.ccsa.org.cn/english/tc/files.php?docpath=/ITU-R/M.1457/M.1457-12/TDD |
| ETSI | ETSI TS 124 654 | 11.1.0 | Published | Apr 13 | http://www.etsi.org/deliver/etsi_ts/124600_124699/124654/11.01.00_60/ |
| TTC | TS-3GA-24.654(Rel11)v11.1.0 | 11.1.0 | Approved | Jun 13 | http://www.ttc.or.jp/j/document_list/free/3gpps2013/TS/TS-3GA-24.654(Rel11)v11.1.0.pdf |

5.3.2.12.116 TS 27.005

Use of Data Terminal Equipment – Data Circuit terminating Equipment (DTE – DCE) interface for Short Message Service (SMS) and Cell Broadcast Service (CBS)

This document defines three interface protocols for control of SMS functions within a GSM/UMTS mobile telephone from a remote terminal via an asynchronous interface. The “block mode” protocol includes error protection and is suitable for use where the link may not be completely reliable. It is of particular use where control of remote devices is required. Efficient transfer of binary encoded user data is possible. The “text mode”, based on AT commands, is suitable for unintelligent terminals or terminal emulators, and for application software built on command structures like those defined in V.25ter. The character based “PDU mode” is suitable for software drivers based on AT command structures which do not understand the content of the message blocks and can only pass them between the MT and higher level software resident in the TE.

In all three modes, the terminal is considered to be in control for SMS/CBS transactions.

The document considers the mobile termination to be a single entity. Other 3GPP/GSM Technical Specifications describe the split of functionality between the mobile equipment and (U)SIM.

| SDO (2) | Document No. | Version | Status | Issued date | Location (1) |
|-------------------|-------------------------|---------|-----------|-------------|---|
| Release 99 | | | | | |
| ARIB | ARIB TR-T63-27.005 | 3.2.0 | Approved | Jul 13 | http://www.arib.or.jp/english/html/overview/doc/STD-T63v10_00/2_T63/ARIB-STD-T63/R99/27/A27005-320.pdf |
| ATIS | T1.3GPP.27.005V320-2003 | 3.2.0 | Approved | Mar 03 | https://www.atis.org/docstore/default.aspx |
| CCSA | CCSA-TSD-TDD-27.005 | 3.2.0 | Published | Jul 02 | http://www.ccsa.org.cn/english/tc/files.php?docpath=/ITU-R/M.1457/M.1457-12/TDD |
| CCSA | CCSA-TSD-TDD-27.005 | 9.0.1 | Published | Jun 12 | http://www.ccsa.org.cn/english/tc/files.php?docpath=/ITU-R/M.1457/M.1457-12/TDD |
| ETSI | ETSI TS 127 005 | 3.2.0 | Published | Jul 02 | http://www.etsi.org/deliver/etsi_ts/127000_127099/127005/03.02.00_60/ |

Release 4

| | | | | | |
|-------------------|----------------------------|--------|-----------|--------|---|
| ARIB | ARIB TR-T63-27.005 | 4.2.1 | Approved | Jul 13 | http://www.arib.or.jp/english/html/overview/doc/STD-T63v10_00/2_T63/ARIB-STD-T63/Rel4/27/A27005-421.pdf |
| ATIS | ATIS.3GPP.27.005V421-2006 | 4.2.1 | Approved | Apr 06 | https://www.atis.org/docstore/default.aspx |
| CCSA | CCSA-TSD-TDD-27.005 | 4.2.1 | Published | Jan 05 | http://www.ccsa.org.cn/english/tc/files.php?docpath=/ITU-R/M.1457/M.1457-12/TDD |
| ETSI | ETSI TS 127 005 | 4.2.1 | Published | Jan 05 | http://www.etsi.org/deliver/etsi_ts/127000_127099/127005/04.02.01_60/ |
| Release 5 | | | | | |
| ARIB | ARIB TR-T63-27.005 | 5.0.1 | Approved | Jul 13 | http://www.arib.or.jp/english/html/overview/doc/STD-T63v10_00/2_T63/ARIB-STD-T63/Rel5/27/A27005-501.pdf |
| ATIS | ATIS.3GPP.27.005V501-2006 | 5.0.1 | Approved | Apr 06 | https://www.atis.org/docstore/default.aspx |
| CCSA | CCSA-TSD-TDD-27.005 | 5.0.1 | Published | Jan 05 | http://www.ccsa.org.cn/english/tc/files.php?docpath=/ITU-R/M.1457/M.1457-12/TDD |
| ETSI | ETSI TS 127 005 | 5.0.1 | Published | Jan 05 | http://www.etsi.org/deliver/etsi_ts/127000_127099/127005/05.00.01_60/ |
| Release 6 | | | | | |
| ARIB | ARIB TR-T63-27.005 | 6.0.1 | Approved | Jul 13 | http://www.arib.or.jp/english/html/overview/doc/STD-T63v10_00/2_T63/ARIB-STD-T63/Rel6/27/A27005-601.pdf |
| ATIS | ATIS.3GPP.27.005V601-2006 | 6.0.1 | Approved | Apr 06 | https://www.atis.org/docstore/default.aspx |
| CCSA | CCSA-TSD-TDD-27.005 | 6.0.1 | Published | Jan 05 | http://www.ccsa.org.cn/english/tc/files.php?docpath=/ITU-R/M.1457/M.1457-12/TDD |
| ETSI | ETSI TS 127 005 | 6.0.1 | Published | Jan 05 | http://www.etsi.org/deliver/etsi_ts/127000_127099/127005/06.00.01_60/ |
| Release 7 | | | | | |
| ARIB | ARIB TR-T63-27.005 | 7.0.0 | Approved | Jul 13 | http://www.arib.or.jp/english/html/overview/doc/STD-T63v10_00/2_T63/ARIB-STD-T63/Rel7/27/A27005-700.pdf |
| ATIS | ATIS.3GPP.27.005V700-2007 | 7.0.0 | Approved | Oct 07 | https://www.atis.org/docstore/default.aspx |
| CCSA | CCSA-TSD-TDD-27.005 | 7.0.0 | Published | Apr 07 | http://www.ccsa.org.cn/english/tc/files.php?docpath=/ITU-R/M.1457/M.1457-12/TDD |
| ETSI | ETSI TS 127 005 | 7.0.0 | Published | Apr 07 | http://www.etsi.org/deliver/etsi_ts/127000_127099/127005/07.00.00_60/ |
| Release 8 | | | | | |
| ARIB | ARIB TR-T63-27.005 | 8.0.1 | Approved | Jul 13 | http://www.arib.or.jp/english/html/overview/doc/STD-T63v10_00/2_T63/ARIB-STD-T63/Rel8/27/A27005-801.pdf |
| ATIS | ATIS.3GPP.27.005V801-2012 | 8.0.1 | Approved | Jul 12 | https://www.atis.org/docstore/default.aspx |
| CCSA | CCSA-TSD-TDD-27.005 | 8.0.1 | Published | Jun 12 | http://www.ccsa.org.cn/english/tc/files.php?docpath=/ITU-R/M.1457/M.1457-12/TDD |
| ETSI | ETSI TS 127 005 | 8.0.1 | Published | Nov 11 | http://www.etsi.org/deliver/etsi_ts/127000_127099/127005/08.00.01_60/ |
| Release 9 | | | | | |
| ARIB | ARIB TR-T63-27.005 | 9.0.1 | Approved | Jul 13 | http://www.arib.or.jp/english/html/overview/doc/STD-T63v10_00/2_T63/ARIB-STD-T63/Rel9/27/A27005-901.pdf |
| ATIS | ATIS.3GPP.27.005V901-2012 | 9.0.1 | Approved | Jul 12 | https://www.atis.org/docstore/default.aspx |
| ETSI | ETSI TS 127 005 | 9.0.1 | Published | Nov 11 | http://www.etsi.org/deliver/etsi_ts/127000_127099/127005/09.00.01_60/ |
| Release 10 | | | | | |
| ARIB | ARIB TR-T63-27.005 | 10.0.1 | Approved | Jul 13 | http://www.arib.or.jp/english/html/overview/doc/STD-T63v10_00/2_T63/ARIB-STD-T63/Rel10/27/A27005-a01.pdf |
| ATIS | ATIS.3GPP.27.005V1001-2012 | 10.0.1 | Approved | Jul 12 | https://www.atis.org/docstore/default.aspx |
| CCSA | CCSA-TSD-TDD-27.005 | 10.0.1 | Published | Jun 12 | http://www.ccsa.org.cn/english/tc/files.php?docpath=/ITU-R/M.1457/M.1457-12/TDD |
| ETSI | ETSI TS 127 005 | 10.0.1 | Published | Nov 11 | http://www.etsi.org/deliver/etsi_ts/127000_127099/127005/10.00.01_60/ |
| Release 11 | | | | | |
| ARIB | ARIB TR-T63-27.005 | 11.0.0 | Approved | Jul 13 | http://www.arib.or.jp/english/html/overview/doc/STD-T63v10_00/2_T63/ARIB-STD-T63/Rel11/27/A27005-b00.pdf |
| ATIS | ATIS.3GPP.27.005V1100-2014 | 11.0.0 | Approved | May 14 | https://www.atis.org/docstore/default.aspx |
| CCSA | CCSA-TSD-TDD-27.005 | 11.0.0 | Published | Jun 14 | http://www.ccsa.org.cn/english/tc/files.php?docpath=/ITU-R/M.1457/M.1457-12/TDD |
| ETSI | ETSI TS 127 005 | 11.0.0 | Published | Oct 12 | http://www.etsi.org/deliver/etsi_ts/127000_127099/127005/11.00.00_60/ |

5.3.2.12.117 TS 27.007

AT command set for User Equipment (UE)

This document specifies a profile of AT commands and recommends that this profile be used for controlling Mobile Termination (MT) functions and GSM/UMTS network services from a Terminal Equipment (TE) through Terminal Adaptor (TA). The command prefix +C is reserved for Digital Cellular

in ITU-T Recommendation V.250. The document has also the syntax details used to construct these extended GSM/UMTS commands. Commands from ITU-T Recommendation V.250 and existing digital cellular standards (TIA IS 99 and TIA IS 135) are used whenever applicable. Some of the new commands are defined such way that they can be easily applied to MT of networks other than GSM/UMTS. ITU-T Recommendation T.31 and ITU-T Recommendation T.32 fax AT commands may be used for GSM/UMTS fax transmission from TE. GSM/UMTS Short Message Service AT commands are defined in 3GPP TS 27.005. AT commands for GPRS and EPC are defined in this specification. The document assumes an abstract architecture comprising a TE (e.g. a computer) and a MT interfaced by a TA.

The commands described in this document may be observed on the link between the TE and the TA. However, most of the commands retrieve information about the MT, not about the TA.

| SDO (2) | Document No. | Version | Status | Issued date | Location (1) |
|-------------------|----------------------------|---------|-----------|-------------|---|
| Release 99 | | | | | |
| ARIB | ARIB STD-T63-27.007 | 3.14.0 | Approved | Jul 13 | http://www.arib.or.jp/english/html/overview/doc/STD-T63v10_00/2_T63/ARIB-STD-T63/R99/27/A27007-3e0.pdf |
| ATIS | ATIS.3GPP.27.007V3140-2010 | 3.14.0 | Approved | Jul 10 | https://www.atis.org/docstore/default.aspx |
| CCSA | CCSA-TSD-TDD-27.007 | 3.14.0 | Published | Mar 10 | http://www.ccsa.org.cn/english/tc/files.php?docpath=/ITU-R/M.1457/M.1457-12/TDD |
| ETSI | ETSI TS 127 007 | 3.14.0 | Published | Apr 10 | http://www.etsi.org/deliver/etsi_ts/127000_127099/127007/03.14.00_60/ |
| Release 4 | | | | | |
| ARIB | ARIB STD-T63-27.007 | 4.7.0 | Approved | Jul 13 | http://www.arib.or.jp/english/html/overview/doc/STD-T63v10_00/2_T63/ARIB-STD-T63/Rel4/27/A27007-470.pdf |
| ATIS | ATIS.3GPP.27.007V470-2010 | 4.7.0 | Approved | Jul 10 | https://www.atis.org/docstore/default.aspx |
| CCSA | CCSA-TSD-TDD-27.007 | 4.7.0 | Published | Mar 10 | http://www.ccsa.org.cn/english/tc/files.php?docpath=/ITU-R/M.1457/M.1457-12/TDD |
| ETSI | ETSI TS 127 007 | 4.7.0 | Published | Apr 10 | http://www.etsi.org/deliver/etsi_ts/127000_127099/127007/04.07.00_60/ |
| Release 5 | | | | | |
| ARIB | ARIB STD-T63-27.007 | 5.7.0 | Approved | Jul 13 | http://www.arib.or.jp/english/html/overview/doc/STD-T63v10_00/2_T63/ARIB-STD-T63/Rel5/27/A27007-570.pdf |
| ATIS | ATIS.3GPP.27.007V570-2010 | 5.7.0 | Approved | Jul 10 | https://www.atis.org/docstore/default.aspx |
| CCSA | CCSA-TSD-TDD-27.007 | 5.7.0 | Published | Mar 10 | http://www.ccsa.org.cn/english/tc/files.php?docpath=/ITU-R/M.1457/M.1457-12/TDD |
| ETSI | ETSI TS 127 007 | 5.7.0 | Published | Apr 10 | http://www.etsi.org/deliver/etsi_ts/127000_127099/127007/05.07.00_60/ |
| Release 6 | | | | | |
| ARIB | ARIB STD-T63-27.007 | 6.10.0 | Approved | Jul 13 | http://www.arib.or.jp/english/html/overview/doc/STD-T63v10_00/2_T63/ARIB-STD-T63/Rel6/27/A27007-6a0.pdf |
| ATIS | ATIS.3GPP.27.007V6100-2010 | 6.10.0 | Approved | Jul 10 | https://www.atis.org/docstore/default.aspx |
| CCSA | CCSA-TSD-TDD-27.007 | 6.10.0 | Published | Mar 10 | http://www.ccsa.org.cn/english/tc/files.php?docpath=/ITU-R/M.1457/M.1457-12/TDD |
| ETSI | ETSI TS 127 007 | 6.10.0 | Published | Apr 10 | http://www.etsi.org/deliver/etsi_ts/127000_127099/127007/06.10.00_60/ |
| Release 7 | | | | | |
| ARIB | ARIB STD-T63-27.007 | 7.6.0 | Approved | Jul 13 | http://www.arib.or.jp/english/html/overview/doc/STD-T63v10_00/2_T63/ARIB-STD-T63/Rel7/27/A27007-760.pdf |
| ATIS | ATIS.3GPP.27.007V760-2010 | 7.6.0 | Approved | Jul 10 | https://www.atis.org/docstore/default.aspx |
| CCSA | CCSA-TSD-TDD-27.007 | 7.6.0 | Published | Mar 10 | http://www.ccsa.org.cn/english/tc/files.php?docpath=/ITU-R/M.1457/M.1457-12/TDD |
| ETSI | ETSI TS 127 007 | 7.6.0 | Published | Apr 10 | http://www.etsi.org/deliver/etsi_ts/127000_127099/127007/07.06.00_60/ |
| Release 8 | | | | | |
| ARIB | ARIB STD-T63-27.007 | 8.15.0 | Approved | Jul 13 | http://www.arib.or.jp/english/html/overview/doc/STD-T63v10_00/2_T63/ARIB-STD-T63/Rel8/27/A27007-8f0.pdf |
| ATIS | ATIS.3GPP.27.007V8150-2014 | 8.15.0 | Approved | May 14 | https://www.atis.org/docstore/default.aspx |

| | | | | | |
|-------------------|----------------------------|--------|-----------|--------|---|
| CCSA | CCSA-TSD-TDD-27.007 | 8.15.0 | Published | Jun 12 | http://www.ccsa.org.cn/english/tc/files.php?docpath=/ITU-R/M.1457/M.1457-12/TDD |
| ETSI | ETSI TS 127 007 | 8.15.0 | Published | Jan 12 | http://www.etsi.org/deliver/etsi_ts/127000_127099/127007/08.15.00_60/ |
| Release 9 | | | | | |
| ARIB | ARIB STD-T63-27.007 | 9.8.0 | Approved | Jul 13 | http://www.arib.or.jp/english/html/overview/doc/STD-T63v10_00/2_T63/ARIB-STD-T63/Rel9/27/A27007-980.pdf |
| ATIS | ATIS.3GPP.27.007V980-2014 | 9.8.0 | Approved | May 14 | https://www.atis.org/docstore/default.aspx |
| CCSA | CCSA-TSD-TDD-27.007 | 9.8.0 | Published | Jun 12 | http://www.ccsa.org.cn/english/tc/files.php?docpath=/ITU-R/M.1457/M.1457-12/TDD |
| ETSI | ETSI TS 127 007 | 9.8.0 | Published | Jan 12 | http://www.etsi.org/deliver/etsi_ts/127000_127099/127007/09.08.00_60/ |
| Release 10 | | | | | |
| ARIB | ARIB STD-T63-27.007 | 10.7.0 | Approved | Jul 13 | http://www.arib.or.jp/english/html/overview/doc/STD-T63v10_00/2_T63/ARIB-STD-T63/Rel10/27/A27007-a70.pdf |
| ATIS | ATIS.3GPP.27.007V1070-2014 | 10.7.0 | Approved | May 14 | https://www.atis.org/docstore/default.aspx |
| CCSA | CCSA-TSD-TDD-27.007 | 10.6.0 | Published | Jun 12 | http://www.ccsa.org.cn/english/tc/files.php?docpath=/ITU-R/M.1457/M.1457-12/TDD |
| ETSI | ETSI TS 127 007 | 10.7.0 | Published | Mar 12 | http://www.etsi.org/deliver/etsi_ts/127000_127099/127007/10.07.00_60/ |
| Release 11 | | | | | |
| ARIB | ARIB STD-T63-27.007 | 11.6.0 | Approved | Jul 13 | http://www.arib.or.jp/english/html/overview/doc/STD-T63v10_00/2_T63/ARIB-STD-T63/Rel11/27/A27007-b60.pdf |
| ATIS | ATIS.3GPP.27.007V1160-2014 | 11.6.0 | Approved | May 14 | https://www.atis.org/docstore/default.aspx |
| CCSA | CCSA-TSD-TDD-27.007 | 11.0.0 | Published | Jun 14 | http://www.ccsa.org.cn/english/tc/files.php?docpath=/ITU-R/M.1457/M.1457-12/TDD |
| ETSI | ETSI TS 127 007 | 11.6.0 | Published | Apr 13 | http://www.etsi.org/deliver/etsi_ts/127000_127099/127007/11.06.00_60/ |

5.3.2.12.118 TS 27.010

Terminal Equipment to User Equipment (TE-UE) multiplexer protocol

This document defines a multiplexing protocol between a UE and a TE. The multiplexing protocol can be used to send any data, for instance voice, SMS, USSD, fax etc. The document describes the protocol, but not the commands or data transported with it.

| SDO (2) | Document No. | Version | Status | Issued date | Location (1) |
|-------------------|---------------------------|---------|-----------|-------------|---|
| Release 99 | | | | | |
| ARIB | ARIB STD-T63-27.010 | 3.4.0 | Approved | Jul 13 | http://www.arib.or.jp/english/html/overview/doc/STD-T63v10_00/2_T63/ARIB-STD-T63/R99/27/A27010-340.pdf |
| ATIS | T1.3GPP.27.010V340-2002 | 3.4.0 | Approved | May 02 | https://www.atis.org/docstore/default.aspx |
| CCSA | CCSA-TSD-TDD-27.010 | 3.4.0 | Published | Apr 02 | http://www.ccsa.org.cn/english/tc/files.php?docpath=/ITU-R/M.1457/M.1457-12/TDD |
| ETSI | ETSI TS 127 010 | 3.4.0 | Published | Apr 02 | http://www.etsi.org/deliver/etsi_ts/127000_127099/127010/03.04.00_60/ |
| Release 4 | | | | | |
| ARIB | ARIB STD-T63-27.010 | 4.2.0 | Approved | Jul 13 | http://www.arib.or.jp/english/html/overview/doc/STD-T63v10_00/2_T63/ARIB-STD-T63/Rel4/27/A27010-420.pdf |
| ATIS | T1.3GPP.27.010V420-2002 | 4.2.0 | Approved | May 02 | https://www.atis.org/docstore/default.aspx |
| CCSA | CCSA-TSD-TDD-27.010 | 4.2.0 | Published | Apr 02 | http://www.ccsa.org.cn/english/tc/files.php?docpath=/ITU-R/M.1457/M.1457-12/TDD |
| ETSI | ETSI TS 127 010 | 4.2.0 | Published | Apr 02 | http://www.etsi.org/deliver/etsi_ts/127000_127099/127010/04.02.00_60/ |
| Release 5 | | | | | |
| ARIB | ARIB STD-T63-27.010 | 5.0.0 | Approved | Jul 13 | http://www.arib.or.jp/english/html/overview/doc/STD-T63v10_00/2_T63/ARIB-STD-T63/Rel5/27/A27010-500.pdf |
| ATIS | T1.3GPP.27.010V500-2003 | 5.0.0 | Approved | Mar 03 | https://www.atis.org/docstore/default.aspx |
| CCSA | CCSA-TSD-TDD-27.010 | 5.0.0 | Published | Jul 02 | http://www.ccsa.org.cn/english/tc/files.php?docpath=/ITU-R/M.1457/M.1457-12/TDD |
| ETSI | ETSI TS 127 010 | 5.0.0 | Published | Jul 02 | http://www.etsi.org/deliver/etsi_ts/127000_127099/127010/05.00.00_60/ |
| Release 6 | | | | | |
| ARIB | ARIB STD-T63-27.010 | 6.0.0 | Approved | Jul 13 | http://www.arib.or.jp/english/html/overview/doc/STD-T63v10_00/2_T63/ARIB-STD-T63/Rel6/27/A27010-600.pdf |
| ATIS | ATIS.3GPP.27.010V600-2005 | 6.0.0 | Approved | Apr 05 | https://www.atis.org/docstore/default.aspx |

| | | | | | |
|-------------------|----------------------------|--------|-----------|--------|---|
| CCSA | CCSA-TSD-TDD-27.010 | 6.0.0 | Published | Jan 05 | http://www.ccsa.org.cn/english/tc/files.php?docpath=/ITU-R/M.1457/M.1457-12/TDD |
| ETSI | ETSI TS 127 010 | 6.0.0 | Published | Jan 05 | http://www.etsi.org/deliver/etsi_ts/127000_127099/127010/06.00.00_60/ |
| Release 7 | | | | | |
| ARIB | ARIB STD-T63-27.010 | 7.0.0 | Approved | Jul 13 | http://www.arib.or.jp/english/html/overview/doc/STD-T63v10_00/2_T63/ARIB-STD-T63/Rel7/27/A27010-700.pdf |
| ATIS | ATIS.3GPP.27.010V700-2007 | 7.0.0 | Approved | Oct 07 | https://www.atis.org/docstore/default.aspx |
| CCSA | CCSA-TSD-TDD-27.010 | 7.0.0 | Published | Jul 07 | http://www.ccsa.org.cn/english/tc/files.php?docpath=/ITU-R/M.1457/M.1457-12/TDD |
| ETSI | ETSI TS 127 010 | 7.0.0 | Published | Jul 07 | http://www.etsi.org/deliver/etsi_ts/127000_127099/127010/07.00.00_60/ |
| Release 8 | | | | | |
| ARIB | ARIB STD-T63-27.010 | 8.1.0 | Approved | Jul 13 | http://www.arib.or.jp/english/html/overview/doc/STD-T63v10_00/2_T63/ARIB-STD-T63/Rel8/27/A27010-810.pdf |
| ATIS | ATIS.3GPP.27.010V810-2012 | 8.1.0 | Approved | Jul 12 | https://www.atis.org/docstore/default.aspx |
| CCSA | CCSA-TSD-TDD-27.010 | 8.1.0 | Published | Jun 12 | http://www.ccsa.org.cn/english/tc/files.php?docpath=/ITU-R/M.1457/M.1457-12/TDD |
| ETSI | ETSI TS 127 010 | 8.1.0 | Published | Jan 11 | http://www.etsi.org/deliver/etsi_ts/127000_127099/127010/08.01.00_60/ |
| Release 9 | | | | | |
| ARIB | ARIB STD-T63-27.010 | 9.1.0 | Approved | Jul 13 | http://www.arib.or.jp/english/html/overview/doc/STD-T63v10_00/2_T63/ARIB-STD-T63/Rel9/27/A27010-910.pdf |
| ATIS | ATIS.3GPP.27.010V910-2012 | 9.1.0 | Approved | Jul 12 | https://www.atis.org/docstore/default.aspx |
| CCSA | CCSA-TSD-TDD-27.010 | 9.1.0 | Published | Jun 12 | http://www.ccsa.org.cn/english/tc/files.php?docpath=/ITU-R/M.1457/M.1457-12/TDD |
| ETSI | ETSI TS 127 010 | 9.1.0 | Published | Jan 11 | http://www.etsi.org/deliver/etsi_ts/127000_127099/127010/09.01.00_60/ |
| Release 10 | | | | | |
| ARIB | ARIB STD-T63-27.010 | 10.0.0 | Approved | Jul 13 | http://www.arib.or.jp/english/html/overview/doc/STD-T63v10_00/2_T63/ARIB-STD-T63/Rel10/27/A27010-a00.pdf |
| ATIS | ATIS.3GPP.27.010V1000-2012 | 10.0.0 | Approved | Jul 12 | https://www.atis.org/docstore/default.aspx |
| CCSA | CCSA-TSD-TDD-27.010 | 10.0.0 | Published | Jun 12 | http://www.ccsa.org.cn/english/tc/files.php?docpath=/ITU-R/M.1457/M.1457-12/TDD |
| ETSI | ETSI TS 127 010 | 10.0.0 | Published | Apr 11 | http://www.etsi.org/deliver/etsi_ts/127000_127099/127010/10.00.00_60/ |
| Release 11 | | | | | |
| ARIB | ARIB STD-T63-27.010 | 11.0.0 | Approved | Jul 13 | http://www.arib.or.jp/english/html/overview/doc/STD-T63v10_00/2_T63/ARIB-STD-T63/Rel11/27/A27010-b00.pdf |
| ATIS | ATIS.3GPP.27.010V1100-2014 | 11.0.0 | Approved | May 14 | https://www.atis.org/docstore/default.aspx |
| CCSA | CCSA-TSD-TDD-27.010 | 11.0.0 | Published | Jun 14 | http://www.ccsa.org.cn/english/tc/files.php?docpath=/ITU-R/M.1457/M.1457-12/TDD |
| ETSI | ETSI TS 127 010 | 11.0.0 | Published | Oct 12 | http://www.etsi.org/deliver/etsi_ts/127000_127099/127010/11.00.00_60/ |

5.3.2.12.119 TS 29.002

Mobile Application Part (MAP) specification

It is necessary to transfer between entities of a Public Land Mobile Network (PLMN) information specific to the PLMN in order to deal with the specific behaviour of roaming Mobile Stations (MS)s. The Signalling System No. 7 specified by CCITT is used to transfer this information.

| SDO (2) | Document No. | Version | Status | Issued date | Location (1) |
|-------------------|----------------------------|---------|-----------|-------------|---|
| Release 99 | | | | | |
| CCSA | CCSA-TSD-TDD-29.002 | 3.20.0 | Published | Jun 12 | http://www.ccsa.org.cn/english/tc/files.php?docpath=/ITU-R/M.1457/M.1457-12/TDD |
| ETSI | ETSI TS 129 002 | 3.20.0 | Published | Jul 04 | http://www.etsi.org/deliver/etsi_ts/129000_129099/129002/03.20.00_60/ |
| TTC | TS-3GA-29.002(R99)v3.20.0 | 3.20.0 | Approved | Aug 04 | http://www.ttc.or.jp/j/document_list/free/TS/TS-3GA-29.002(R99)v3.20.0.pdf |
| Release 4 | | | | | |
| CCSA | CCSA-TSD-TDD-29.002 | 4.18.0 | Published | Jun 12 | http://www.ccsa.org.cn/english/tc/files.php?docpath=/ITU-R/M.1457/M.1457-12/TDD |
| ETSI | ETSI TS 129 002 | 4.18.0 | Published | Oct 07 | http://www.etsi.org/deliver/etsi_ts/129000_129099/129002/04.18.00_60/ |
| TTC | TS-3GA-29.002(Rel4)v4.18.0 | 4.18.0 | Approved | Mar 08 | http://www.ttc.or.jp/j/document_list/free/TS/TS-3GA-29.002(Rel4)v4.18.0.pdf |

Release 5

| | | | | | |
|------|----------------------------|--------|-----------|--------|---|
| CCSA | CCSA-TSD-TDD-29.002 | 5.13.0 | Published | Jun 12 | http://www.ccsa.org.cn/english/tc/files.php?docpath=/ITU-R/M.1457/M.1457-12/TDD |
| ETSI | ETSI TS 129 002 | 5.13.0 | Published | Oct 07 | http://www.etsi.org/deliver/etsi_ts/129000_129099/129002/05.13.00_60/ |
| TTC | TS-3GA-29.002(Rel5)v5.13.0 | 5.13.0 | Approved | Mar 08 | http://www.ttc.or.jp/j/document_list/free/TS/TS-3GA-29.002(Rel5)v5.13.0.pdf |

Release 6

| | | | | | |
|------|----------------------------|--------|-----------|--------|---|
| CCSA | CCSA-TSD-TDD-29.002 | 6.17.0 | Published | Jun 12 | http://www.ccsa.org.cn/english/tc/files.php?docpath=/ITU-R/M.1457/M.1457-12/TDD |
| ETSI | ETSI TS 129 002 | 6.17.0 | Published | Jul 10 | http://www.etsi.org/deliver/etsi_ts/129000_129099/129002/06.17.00_60/ |
| TTC | TS-3GA-29.002(Rel6)v6.17.0 | 6.17.0 | Approved | Oct 10 | http://www.ttc.or.jp/j/document_list/free/3gpps2010/TS/TS-3GA-29.002(Rel6)v6.17.0.pdf |

Release 7

| | | | | | |
|------|----------------------------|--------|-----------|--------|---|
| CCSA | CCSA-TSD-TDD-29.002 | 7.15.0 | Published | Jun 12 | http://www.ccsa.org.cn/english/tc/files.php?docpath=/ITU-R/M.1457/M.1457-12/TDD |
| ETSI | ETSI TS 129 002 | 7.15.0 | Published | Jul 10 | http://www.etsi.org/deliver/etsi_ts/129000_129099/129002/07.15.00_60/ |
| TTC | TS-3GA-29.002(Rel7)v7.15.0 | 7.15.0 | Approved | Oct 10 | http://www.ttc.or.jp/j/document_list/free/3gpps2010/TS/TS-3GA-29.002(Rel7)v7.15.0.pdf |

Release 8

| | | | | | |
|------|----------------------------|--------|-----------|--------|---|
| CCSA | CCSA-TSD-TDD-29.002 | 8.17.0 | Published | Jun 12 | http://www.ccsa.org.cn/english/tc/files.php?docpath=/ITU-R/M.1457/M.1457-12/TDD |
| ETSI | ETSI TS 129 002 | 8.19.0 | Published | Apr 13 | http://www.etsi.org/deliver/etsi_ts/129000_129099/129002/08.19.00_60/ |
| TTC | TS-3GA-29.002(Rel8)v8.19.0 | 8.19.0 | Approved | Jun 13 | http://www.ttc.or.jp/jp/document_list/free/3gpps2013/TS/TS-3GA-29.002(Rel8)v8.19.0.pdf |

Release 9

| | | | | | |
|------|----------------------------|--------|-----------|--------|---|
| ATIS | ATIS.3GPP.29.002V9100-2014 | 9.10.0 | Approved | May 14 | https://www.atis.org/docstore/default.aspx |
| CCSA | CCSA-TSD-TDD-29.002 | 9.7.0 | Published | Jun 12 | http://www.ccsa.org.cn/english/tc/files.php?docpath=/ITU-R/M.1457/M.1457-12/TDD |
| ETSI | ETSI TS 129 002 | 9.10.0 | Published | Apr 13 | http://www.etsi.org/deliver/etsi_ts/129000_129099/129002/09.10.00_60/ |
| TTC | TS-3GA-29.002(Rel9)v9.10.0 | 9.10.0 | Approved | Jun 13 | http://www.ttc.or.jp/jp/document_list/free/3gpps2013/TS/TS-3GA-29.002(Rel9)v9.10.0.pdf |

Release 10

| | | | | | |
|------|-----------------------------|--------|-----------|--------|---|
| ATIS | ATIS.3GPP.29.002V1080-2014 | 10.8.0 | Approved | May 14 | https://www.atis.org/docstore/default.aspx |
| CCSA | CCSA-TSD-TDD-29.002 | 10.5.0 | Published | Jun 12 | http://www.ccsa.org.cn/english/tc/files.php?docpath=/ITU-R/M.1457/M.1457-12/TDD |
| ETSI | ETSI TS 129 002 | 10.8.0 | Published | Apr 13 | http://www.etsi.org/deliver/etsi_ts/129000_129099/129002/10.08.00_60/ |
| TTC | TS-3GA-29.002(Rel10)v10.8.0 | 10.8.0 | Approved | Jun 13 | http://www.ttc.or.jp/jp/document_list/free/3gpps2013/TS/TS-3GA-29.002(Rel10)v10.8.0.pdf |

Release 11

| | | | | | |
|------|-----------------------------|---------|-----------|--------|---|
| ATIS | ATIS.3GPP.29.002V1160-2014 | 11.6.0 | Approved | May 14 | https://www.atis.org/docstore/default.aspx |
| CCSA | CCSA-TSD-TDD-29.002 | 11.10.0 | Published | Jun 14 | http://www.ccsa.org.cn/english/tc/files.php?docpath=/ITU-R/M.1457/M.1457-12/TDD |
| ETSI | ETSI TS 129 002 | 11.6.0 | Published | Apr 13 | http://www.etsi.org/deliver/etsi_ts/129000_129099/129002/11.06.00_60/ |
| TTC | TS-3GA-29.002(Rel11)v11.6.0 | 11.6.0 | Approved | Jun 13 | http://www.ttc.or.jp/jp/document_list/free/3gpps2013/TS/TS-3GA-29.002(Rel11)v11.6.0.pdf |

5.3.2.12.120 TS 29.016**General Packet Radio Service (GPRS); Serving GPRS Support Node (SGSN) – Visitors Location Register (VLR); Gs interface network service specification**

This document specifies the subset of MTP and SCCP which is used for the reliable transport of BSSAP+ messages in the Gs interface. The document references 3GPP TS 29.202 which specifies alternative transport layers that can be applied instead of the MTP. The document also specifies the SCCP addressing capabilities to be provided in the Gs interface.

| SDO (2) | Document No. | Version | Status | Issued date | Location (1) |
|-------------------|---------------------|---------|-----------|-------------|---|
| Release 99 | | | | | |
| CCSA | CCSA-TSD-TDD-29.016 | 3.1.0 | Published | Jun 12 | http://www.ccsa.org.cn/english/tc/files.php?docpath=/ITU-R/M.1457/M.1457-12/TDD |

| | | | | | |
|-------------------|-----------------------------|--------|-----------|--------|---|
| ETSI | ETSI TS 129 016 | 3.1.0 | Published | Nov 00 | http://www.etsi.org/deliver/etsi_ts/129000_129099/129016/03.01.00_60/ |
| TTC | JP-3GA-29.016(R99) | 3.1.0 | Approved | May 01 | http://www.ttc.or.jp/j/document_list/pdf/j/STD/JP-3GA-29.016(R99)v2.pdf |
| Release 4 | | | | | |
| CCSA | CCSA-TSD-TDD-29.016 | 4.1.0 | Published | Jun 12 | http://www.ccsa.org.cn/english/tc/files.php?docpath=/ITU-R/M.1457/M.1457-12/TDD |
| ETSI | ETSI TS 129 016 | 4.1.0 | Published | Jul 02 | http://www.etsi.org/deliver/etsi_ts/129000_129099/129016/04.01.00_60/ |
| TTC | TS-3GA-29.016(Rel4)v4.1.0 | 4.1.0 | Approved | Aug 02 | http://www.ttc.or.jp/j/document_list/free/TS/TS-3GA-29.016(Rel4)v4.1.0.pdf |
| Release 5 | | | | | |
| CCSA | CCSA-TSD-TDD-29.016 | 5.0.0 | Published | Jun 12 | http://www.ccsa.org.cn/english/tc/files.php?docpath=/ITU-R/M.1457/M.1457-12/TDD |
| ETSI | ETSI TS 129 016 | 5.0.0 | Published | Jul 02 | http://www.etsi.org/deliver/etsi_ts/129000_129099/129016/05.00.00_60/ |
| TTC | TS-3GA-29.016(Rel5)v5.0.0 | 5.0.0 | Approved | Aug 02 | http://www.ttc.or.jp/j/document_list/free/TS/TS-3GA-29.016(Rel5)v5.0.0.pdf |
| Release 6 | | | | | |
| CCSA | CCSA-TSD-TDD-29.016 | 6.0.0 | Published | Jun 12 | http://www.ccsa.org.cn/english/tc/files.php?docpath=/ITU-R/M.1457/M.1457-12/TDD |
| ETSI | ETSI TS 129 016 | 6.0.0 | Published | Jan 05 | http://www.etsi.org/deliver/etsi_ts/129000_129099/129016/06.00.00_60/ |
| TTC | TS-3GA-29.016(Rel6)v6.0.0 | 6.0.0 | Approved | Mar 05 | http://www.ttc.or.jp/j/document_list/free/TS/TS-3GA-29.016(Rel6)v6.0.0.pdf |
| Release 7 | | | | | |
| CCSA | CCSA-TSD-TDD-29.016 | 7.0.0 | Published | Jun 12 | http://www.ccsa.org.cn/english/tc/files.php?docpath=/ITU-R/M.1457/M.1457-12/TDD |
| ETSI | ETSI TS 129 016 | 7.0.0 | Published | Jul 07 | http://www.etsi.org/deliver/etsi_ts/129000_129099/129016/07.00.00_60/ |
| TTC | TS-3GA-29.016(Rel7)v7.0.0 | 7.0.0 | Approved | Mar 08 | http://www.ttc.or.jp/j/document_list/free/TS/TS-3GA-29.016(Rel7)v7.0.0.pdf |
| Release 8 | | | | | |
| CCSA | CCSA-TSD-TDD-29.016 | 8.0.0 | Published | Jun 12 | http://www.ccsa.org.cn/english/tc/files.php?docpath=/ITU-R/M.1457/M.1457-12/TDD |
| ETSI | ETSI TS 129 016 | 8.0.0 | Published | Jan 09 | http://www.etsi.org/deliver/etsi_ts/129000_129099/129016/08.00.00_60/ |
| TTC | TS-3GA-29.016(Rel8)v8.0.0 | 8.0.0 | Approved | Feb 09 | http://www.ttc.or.jp/j/document_list/free/3gpps2009/TS/TS-3GA-29.016(Rel8)v8.0.0.pdf |
| Release 9 | | | | | |
| ATIS | ATIS.3GPP.29.016V900-2010 | 9.0.0 | Approved | Jul 10 | https://www.atis.org/docstore/default.aspx |
| CCSA | CCSA-TSD-TDD-29.016 | 9.0.0 | Published | Jun 12 | http://www.ccsa.org.cn/english/tc/files.php?docpath=/ITU-R/M.1457/M.1457-12/TDD |
| ETSI | ETSI TS 129 016 | 9.0.0 | Published | Jan 10 | http://www.etsi.org/deliver/etsi_ts/129000_129099/129016/09.00.00_60/ |
| TTC | TS-3GA-29.016(Rel9)v9.0.0 | 9.0.0 | Approved | Jul 10 | http://www.ttc.or.jp/j/document_list/free/3gpps2010/TS/TS-3GA-29.016(Rel9)v9.0.0.pdf |
| Release 10 | | | | | |
| ATIS | ATIS.3GPP.29.016V1000-2012 | 10.0.0 | Approved | Jul 12 | https://www.atis.org/docstore/default.aspx |
| CCSA | CCSA-TSD-TDD-29.016 | 10.0.0 | Published | Jun 12 | http://www.ccsa.org.cn/english/tc/files.php?docpath=/ITU-R/M.1457/M.1457-12/TDD |
| ETSI | ETSI TS 129 016 | 10.0.0 | Published | Apr 11 | http://www.etsi.org/deliver/etsi_ts/129000_129099/129016/10.00.00_60/ |
| TTC | TS-3GA-29.016(Rel10)v10.0.0 | 10.0.0 | Approved | Jun 11 | http://www.ttc.or.jp/j/document_list/free/3gpps2011/TS/TS-3GA-29.016(Rel10)v10.0.0.pdf |
| Release 11 | | | | | |
| ATIS | ATIS.3GPP.29.016V1100-2014 | 11.0.0 | Approved | May 14 | https://www.atis.org/docstore/default.aspx |
| CCSA | CCSA-TSD-TDD-29.016 | 11.0.0 | Published | Jun 14 | http://www.ccsa.org.cn/english/tc/files.php?docpath=/ITU-R/M.1457/M.1457-12/TDD |
| ETSI | ETSI TS 129 016 | 11.0.0 | Published | Oct 12 | http://www.etsi.org/deliver/etsi_ts/129000_129099/129016/11.00.00_60/ |
| TTC | TS-3GA-29.016(Rel11)v11.0.0 | 11.0.0 | Approved | Jun 13 | http://www.ttc.or.jp/j/document_list/free/3gpps2013/TS/TS-3GA-29.016(Rel11)v11.0.0.pdf |

5.3.2.12.121 TS 29.018

General Packet Radio Service (GPRS); Serving GPRS Support Node (SGSN) – Visitors Location Register (VLR); Gs interface layer 3 specification

This document specifies procedures used on the Serving GPRS Support Node (SGSN) to Visitors Location Register (VLR) interface for interoperability

between circuit switched services and packet data services. The document specifies the layer 3 messages and procedures on the Gs interface to allow coordination between databases and to relay certain messages related to GSM circuit switched services over the GPRS subsystem.

| SDO (2) | Document No. | Version | Status | Issued date | Location (1) |
|-------------------|-----------------------------|---------|-----------|-------------|---|
| Release 99 | | | | | |
| CCSA | CCSA-TSD-TDD-29.018 | 3.11.0 | Published | Jun 12 | http://www.ccsa.org.cn/english/tc/files.php?docpath=/ITU-R/M.1457/M.1457-12/TDD |
| ETSI | ETSI TS 129 018 | 3.11.0 | Published | Oct 03 | http://www.etsi.org/deliver/etsi_ts/129000_129099/129018/03.11.00_60/ |
| TTC | TS-3GA-29.018(R99)v3.11.0 | 3.11.0 | Approved | Nov 03 | http://www.ttc.or.jp/j/document_list/free/TS/TS-3GA-29.018(R99)v3.11.0.pdf |
| Release 4 | | | | | |
| CCSA | CCSA-TSD-TDD-29.018 | 4.5.0 | Published | Jun 12 | http://www.ccsa.org.cn/english/tc/files.php?docpath=/ITU-R/M.1457/M.1457-12/TDD |
| ETSI | ETSI TS 129 018 | 4.5.0 | Published | Oct 03 | http://www.etsi.org/deliver/etsi_ts/129000_129099/129018/04.05.00_60/ |
| TTC | TS-3GA-29.018(Rel4)v4.5.0 | 4.5.0 | Approved | Nov 03 | http://www.ttc.or.jp/j/document_list/free/TS/TS-3GA-29.018(Rel4)v4.5.0.pdf |
| Release 5 | | | | | |
| CCSA | CCSA-TSD-TDD-29.018 | 5.5.0 | Published | Jun 12 | http://www.ccsa.org.cn/english/tc/files.php?docpath=/ITU-R/M.1457/M.1457-12/TDD |
| ETSI | ETSI TS 129 018 | 5.5.0 | Published | Oct 03 | http://www.etsi.org/deliver/etsi_ts/129000_129099/129018/05.05.00_60/ |
| TTC | TS-3GA-29.018(Rel5)v5.5.0 | 5.5.0 | Approved | Nov 03 | http://www.ttc.or.jp/j/document_list/free/TS/TS-3GA-29.018(Rel5)v5.5.0.pdf |
| Release 6 | | | | | |
| CCSA | CCSA-TSD-TDD-29.018 | 6.5.0 | Published | Jun 12 | http://www.ccsa.org.cn/english/tc/files.php?docpath=/ITU-R/M.1457/M.1457-12/TDD |
| ETSI | ETSI TS 129 018 | 6.5.0 | Published | Jan 07 | http://www.etsi.org/deliver/etsi_ts/129000_129099/129018/06.05.00_60/ |
| TTC | TS-3GA-29.018(Rel6)v6.5.0 | 6.5.0 | Approved | Mar 07 | http://www.ttc.or.jp/j/document_list/free/TS/TS-3GA-29.018(Rel6)v6.5.0.pdf |
| Release 7 | | | | | |
| CCSA | CCSA-TSD-TDD-29.018 | 7.3.0 | Published | Jun 12 | http://www.ccsa.org.cn/english/tc/files.php?docpath=/ITU-R/M.1457/M.1457-12/TDD |
| ETSI | ETSI TS 129 018 | 7.3.0 | Published | Jul 07 | http://www.etsi.org/deliver/etsi_ts/129000_129099/129018/07.03.00_60/ |
| TTC | TS-3GA-29.018(Rel7)v7.3.0 | 7.3.0 | Approved | Mar 08 | http://www.ttc.or.jp/j/document_list/free/TS/TS-3GA-29.018(Rel7)v7.3.0.pdf |
| Release 8 | | | | | |
| CCSA | CCSA-TSD-TDD-29.018 | 8.3.0 | Published | Jun 12 | http://www.ccsa.org.cn/english/tc/files.php?docpath=/ITU-R/M.1457/M.1457-12/TDD |
| ETSI | ETSI TS 129 018 | 8.5.0 | Published | Oct 12 | http://www.etsi.org/deliver/etsi_ts/129000_129099/129018/08.05.00_60/ |
| TTC | TS-3GA-29.018(Rel8)v8.5.0 | 8.5.0 | Approved | Dec 12 | http://www.ttc.or.jp/j/document_list/free/3gpps2012/TS/TS-3GA-29.018(Rel8)v8.5.0.pdf |
| Release 9 | | | | | |
| ATIS | ATIS.3GPP.29.018V930-2014 | 9.3.0 | Approved | May 14 | https://www.atis.org/docstore/default.aspx |
| CCSA | CCSA-TSD-TDD-29.018 | 9.1.0 | Published | Jun 12 | http://www.ccsa.org.cn/english/tc/files.php?docpath=/ITU-R/M.1457/M.1457-12/TDD |
| ETSI | ETSI TS 129 018 | 9.3.0 | Published | Oct 12 | http://www.etsi.org/deliver/etsi_ts/129000_129099/129018/09.03.00_60/ |
| TTC | TS-3GA-29.018(Rel9)v9.3.0 | 9.3.0 | Approved | Dec 12 | http://www.ttc.or.jp/j/document_list/free/3gpps2012/TS/TS-3GA-29.018(Rel9)v9.3.0.pdf |
| Release 10 | | | | | |
| ATIS | ATIS.3GPP.29.018V1070-2014 | 10.7.0 | Approved | May 14 | https://www.atis.org/docstore/default.aspx |
| CCSA | CCSA-TSD-TDD-29.018 | 10.5.0 | Published | Jun 12 | http://www.ccsa.org.cn/english/tc/files.php?docpath=/ITU-R/M.1457/M.1457-12/TDD |
| ETSI | ETSI TS 129 018 | 10.7.0 | Published | Oct 12 | http://www.etsi.org/deliver/etsi_ts/129000_129099/129018/10.07.00_60/ |
| TTC | TS-3GA-29.018(Rel10)v10.7.0 | 10.7.0 | Approved | Dec 12 | http://www.ttc.or.jp/j/document_list/free/3gpps2012/TS/TS-3GA-29.018(Rel10)v10.7.0.pdf |
| Release 11 | | | | | |
| ATIS | ATIS.3GPP.29.018V1160-2014 | 11.6.0 | Approved | May 14 | https://www.atis.org/docstore/default.aspx |
| CCSA | CCSA-TSD-TDD-29.018 | 11.7.0 | Published | Jun 14 | http://www.ccsa.org.cn/english/tc/files.php?docpath=/ITU-R/M.1457/M.1457-12/TDD |
| ETSI | ETSI TS 129 018 | 11.6.0 | Published | Apr 13 | http://www.etsi.org/deliver/etsi_ts/129000_129099/129018/11.06.00_60/ |
| TTC | TS-3GA-29.018(Rel11)v11.6.0 | 11.6.0 | Approved | Jun 13 | http://www.ttc.or.jp/jp/document_list/free/3gpps2013/TS/TS-3GA-29.018(Rel11)v11.6.0.pdf |

5.3.2.12.122 TS 29.060

General Packet Radio Service (GPRS); GPRS Tunnelling Protocol (GTP) across the Gn and Gp interface

This document defines the second version of GTP used on: – the Gn and Gp interfaces of the General Packet Radio Service (GPRS);- the Iu, Gn and Gp interfaces of the UMTS system.

| SDO (2) | Document No. | Version | Status | Issued date | Location (1) |
|-------------------|-----------------------------|---------|-----------|-------------|---|
| Release 99 | | | | | |
| CCSA | CCSA-TSD-TDD-29.060 | 3.19.0 | Published | Jun 12 | http://www.ccsa.org.cn/english/tc/files.php?docpath=/ITU-R/M.1457/M.1457-12/TDD |
| ETSI | ETSI TS 129 060 | 3.19.0 | Published | Apr 04 | http://www.etsi.org/deliver/etsi_ts/129000_129099/129060/03.19.00_60/ |
| TTC | TS-3GA-29.060(R99)v3.19.0 | 3.19.0 | Approved | May 04 | http://www.ttc.or.jp/j/document_list/free/TS/TS-3GA-29.060(R99)v3.19.0.pdf |
| Release 4 | | | | | |
| CCSA | CCSA-TSD-TDD-29.060 | 4.11.0 | Published | Jun 12 | http://www.ccsa.org.cn/english/tc/files.php?docpath=/ITU-R/M.1457/M.1457-12/TDD |
| ETSI | ETSI TS 129 060 | 4.11.0 | Published | Apr 04 | http://www.etsi.org/deliver/etsi_ts/129000_129099/129060/04.11.00_60/ |
| TTC | TS-3GA-29.060(Rel4)v4.11.0 | 4.11.0 | Approved | May 04 | http://www.ttc.or.jp/j/document_list/free/TS/TS-3GA-29.060(Rel4)v4.11.0.pdf |
| Release 5 | | | | | |
| CCSA | CCSA-TSD-TDD-29.060 | 5.14.0 | Published | Jun 12 | http://www.ccsa.org.cn/english/tc/files.php?docpath=/ITU-R/M.1457/M.1457-12/TDD |
| ETSI | ETSI TS 129 060 | 5.14.0 | Published | Oct 05 | http://www.etsi.org/deliver/etsi_ts/129000_129099/129060/05.14.00_60/ |
| TTC | TS-3GA-29.060(Rel5)v5.14.0 | 5.14.0 | Approved | Nov 05 | http://www.ttc.or.jp/j/document_list/free/TS/TS-3GA-29.060(Rel5)v5.14.0.pdf |
| Release 6 | | | | | |
| CCSA | CCSA-TSD-TDD-29.060 | 6.21.1 | Published | Jun 12 | http://www.ccsa.org.cn/english/tc/files.php?docpath=/ITU-R/M.1457/M.1457-12/TDD |
| ETSI | ETSI TS 129 060 | 6.21.1 | Published | Apr 10 | http://www.etsi.org/deliver/etsi_ts/129000_129099/129060/06.21.01_60/ |
| TTC | TS-3GA-29.060(Rel6)v6.21.0 | 6.21.0 | Approved | Apr 10 | http://www.ttc.or.jp/j/document_list/free/3gpps2010/TS/TS-3GA-29.060(Rel6)v6.21.0.pdf |
| Release 7 | | | | | |
| CCSA | CCSA-TSD-TDD-29.060 | 7.17.0 | Published | Jun 12 | http://www.ccsa.org.cn/english/tc/files.php?docpath=/ITU-R/M.1457/M.1457-12/TDD |
| ETSI | ETSI TS 129 060 | 7.17.0 | Published | Oct 11 | http://www.etsi.org/deliver/etsi_ts/129000_129099/129060/07.17.00_60/ |
| TTC | TS-3GA-29.060(Rel7)v7.17.0 | 7.17.0 | Approved | Dec 11 | http://www.ttc.or.jp/j/document_list/free/3gpps2011/TS/TS-3GA-29.060(Rel7)v7.17.0.pdf |
| Release 8 | | | | | |
| CCSA | CCSA-TSD-TDD-29.060 | 8.15.0 | Published | Jun 12 | http://www.ccsa.org.cn/english/tc/files.php?docpath=/ITU-R/M.1457/M.1457-12/TDD |
| ETSI | ETSI TS 129 060 | 8.16.0 | Published | Jul 12 | http://www.etsi.org/deliver/etsi_ts/129000_129099/129060/08.16.00_60/ |
| TTC | TS-3GA-29.060(Rel8)v8.16.0 | 8.16.0 | Approved | Sep 12 | http://www.ttc.or.jp/imt2000/TS/TS29060rel8v8150.pdf |
| Release 9 | | | | | |
| ATIS | ATIS.3GPP.29.060V9120-2014 | 9.12.0 | Approved | May 14 | https://www.atis.org/docstore/default.aspx |
| CCSA | CCSA-TSD-TDD-29.060 | 9.9.0 | Published | Jun 12 | http://www.ccsa.org.cn/english/tc/files.php?docpath=/ITU-R/M.1457/M.1457-12/TDD |
| ETSI | ETSI TS 129 060 | 9.12.0 | Published | Apr 13 | http://www.etsi.org/deliver/etsi_ts/129000_129099/129060/09.12.00_60/ |
| TTC | TS-3GA-29.060(Rel9)v9.12.0 | 9.12.0 | Approved | Jun 13 | http://www.ttc.or.jp/j/document_list/free/3gpps2013/TS/TS-3GA-29.060(Rel9)v9.12.0.pdf |
| Release 10 | | | | | |
| ATIS | ATIS.3GPP.29.060V1080-2014 | 10.8.0 | Approved | May 14 | https://www.atis.org/docstore/default.aspx |
| CCSA | CCSA-TSD-TDD-29.060 | 10.4.0 | Published | Jun 12 | http://www.ccsa.org.cn/english/tc/files.php?docpath=/ITU-R/M.1457/M.1457-12/TDD |
| ETSI | ETSI TS 129 060 | 10.8.0 | Published | Apr 13 | http://www.etsi.org/deliver/etsi_ts/129000_129099/129060/10.08.00_60/ |
| TTC | TS-3GA-29.060(Rel10)v10.8.0 | 10.8.0 | Approved | Jun 13 | http://www.ttc.or.jp/jp/document_list/free/3gpps2013/TS/TS-3GA-29.060(Rel10)v10.8.0.pdf |
| Release 11 | | | | | |

| | | | | | |
|------|-----------------------------|--------|-----------|--------|---|
| ATIS | ATIS.3GPP.29.060V1160-2014 | 11.6.0 | Approved | May 14 | https://www.atis.org/docstore/default.aspx |
| CCSA | CCSA-TSD-TDD-29.060 | 11.9.0 | Published | Jun 14 | http://www.ccsa.org.cn/english/tc/files.php?docpath=/ITU-R/M.1457/M.1457-12/TDD |
| ETSI | ETSI TS 129 060 | 11.6.0 | Published | Apr 13 | http://www.etsi.org/deliver/etsi_ts/129000_129099/129060/11.06.00_60/ |
| TTC | TS-3GA-29.060(Rel11)v11.6.0 | 11.6.0 | Approved | Jun 13 | http://www.ttc.or.jp/jp/document_list/free/3gpps2013/TS/TS-3GA-29.060(Rel11)v11.6.0.pdf |

5.3.2.12.123 TS 29.061

Interworking between the Public Land Mobile Network (PLMN) supporting packet based services and Packet Data Networks (PDN)

This document defines the requirements for Packet Domain interworking between a: a) PLMN and PDN; b) PLMN and PLMN.

This document is valid for a PLMN in A/Gb mode as well as for a PLMN in Iu mode. If text applies only for one of these systems it is explicitly mentioned by using the terms “A/Gb mode” and “Iu mode”. The A interface does not play any role in the scope of this document although the term “A/Gb mode” is used.

| SDO (2) | Document No. | Version | Status | Issued date | Location (1) |
|-------------------|----------------------------|---------|-----------|-------------|---|
| Release 99 | | | | | |
| CCSA | CCSA-TSD-TDD-29.061 | 3.14.1 | Published | Jun 12 | http://www.ccsa.org.cn/english/tc/files.php?docpath=/ITU-R/M.1457/M.1457-12/TDD |
| ETSI | ETSI TS 129 061 | 3.14.1 | Published | Jul 05 | http://www.etsi.org/deliver/etsi_ts/129000_129099/129061/03.14.01_60/ |
| TTC | TS-3GA-29.061(R99)v3.14.0 | 3.14.0 | Approved | Feb 04 | http://www.ttc.or.jp/j/document_list/free/TS/TS-3GA-29.061(R99)v3.14.0.pdf |
| Release 4 | | | | | |
| CCSA | CCSA-TSD-TDD-29.061 | 4.10.1 | Published | Jun 12 | http://www.ccsa.org.cn/english/tc/files.php?docpath=/ITU-R/M.1457/M.1457-12/TDD |
| ETSI | ETSI TS 129 061 | 4.10.1 | Published | Jul 05 | http://www.etsi.org/deliver/etsi_ts/129000_129099/129061/04.10.01_60/ |
| TTC | TS-3GA-29.061(Rel4)v4.10.0 | 4.10.0 | Approved | Aug 04 | http://www.ttc.or.jp/j/document_list/free/TS/TS-3GA-29.061(Rel4)v4.10.0.pdf |
| Release 5 | | | | | |
| CCSA | CCSA-TSD-TDD-29.061 | 5.9.1 | Published | Jun 12 | http://www.ccsa.org.cn/english/tc/files.php?docpath=/ITU-R/M.1457/M.1457-12/TDD |
| ETSI | ETSI TS 129 061 | 5.9.1 | Published | Jul 05 | http://www.etsi.org/deliver/etsi_ts/129000_129099/129061/05.09.01_60/ |
| TTC | TS-3GA-29.061(Rel5)v5.9.0 | 5.9.0 | Approved | Aug 04 | http://www.ttc.or.jp/j/document_list/free/TS/TS-3GA-29.061(Rel5)v5.9.0.pdf |
| Release 6 | | | | | |
| CCSA | CCSA-TSD-TDD-29.061 | 6.15.0 | Published | Jun 12 | http://www.ccsa.org.cn/english/tc/files.php?docpath=/ITU-R/M.1457/M.1457-12/TDD |
| ETSI | ETSI TS 129 061 | 6.15.0 | Published | Feb 09 | http://www.etsi.org/deliver/etsi_ts/129000_129099/129061/06.15.00_60/ |
| TTC | TS-3GA-29.061(Rel6)v6.15.0 | 6.15.0 | Approved | Feb 09 | http://www.ttc.or.jp/j/document_list/free/3gpps2009/TS/TS-3GA-29.061(Rel6)v6.15.0.pdf |
| Release 7 | | | | | |
| CCSA | CCSA-TSD-TDD-29.061 | 7.12.0 | Published | Jun 12 | http://www.ccsa.org.cn/english/tc/files.php?docpath=/ITU-R/M.1457/M.1457-12/TDD |
| ETSI | ETSI TS 129 061 | 7.12.0 | Published | Apr 10 | http://www.etsi.org/deliver/etsi_ts/129000_129099/129061/07.12.00_60/ |
| TTC | TS-3GA-29.061(Rel7)v7.12.0 | 7.12.0 | Approved | Jul 10 | http://www.ttc.or.jp/j/document_list/free/3gpps2010/TS/TS-3GA-29.061(Rel7)v7.12.0.pdf |
| Release 8 | | | | | |
| CCSA | CCSA-TSD-TDD-29.061 | 8.8.0 | Published | Jun 12 | http://www.ccsa.org.cn/english/tc/files.php?docpath=/ITU-R/M.1457/M.1457-12/TDD |
| ETSI | ETSI TS 129 061 | 8.11.0 | Published | Jan 13 | http://www.etsi.org/deliver/etsi_ts/129000_129099/129061/08.11.00_60/ |
| TTC | TS-3GA-29.061(Rel8)v8.11.0 | 8.11.0 | Approved | Jun 13 | http://www.ttc.or.jp/jp/document_list/free/3gpps2013/TS/TS-3GA-29.061(Rel8)v8.11.0.pdf |
| Release 9 | | | | | |
| ATIS | ATIS.3GPP.29.061V9110-2014 | 9.11.0 | Approved | May 14 | https://www.atis.org/docstore/default.aspx |
| CCSA | CCSA-TSD-TDD-29.061 | 9.8.0 | Published | Jun 12 | http://www.ccsa.org.cn/english/tc/files.php?docpath=/ITU-R/M.1457/M.1457-12/TDD |
| ETSI | ETSI TS 129 061 | 9.11.0 | Published | Jan 13 | http://www.etsi.org/deliver/etsi_ts/129000_129099/129061/09.11.00_60/ |
| TTC | TS-3GA-29.061(Rel9)v9.11.0 | 9.11.0 | Approved | Jun 13 | http://www.ttc.or.jp/jp/document_list/free/3gpps2013/TS/TS-3GA-29.061(Rel9)v9.11.0.pdf |

Release 10

| | | | | | |
|------|-----------------------------|--------|-----------|--------|---|
| ATIS | ATIS.3GPP.29.061V1090-2014 | 10.9.0 | Approved | May 14 | https://www.atis.org/docstore/default.aspx |
| CCSA | CCSA-TSD-TDD-29.061 | 10.5.0 | Published | Jun 12 | http://www.ccsa.org.cn/english/tc/files.php?docpath=/ITU-R/M.1457/M.1457-12/TDD |
| ETSI | ETSI TS 129 061 | 10.9.0 | Published | Apr 13 | http://www.etsi.org/deliver/etsi_ts/129000_129099/129061/10.09.00_60/ |
| TTC | TS-3GA-29.061(Rel10)v10.9.0 | 10.9.0 | Approved | Jun 13 | http://www.ttc.or.jp/jp/document_list/free/3gpps2013/TS/TS-3GA-29.061(Rel10)v10.9.0.pdf |

Release 11

| | | | | | |
|------|-----------------------------|--------|-----------|--------|---|
| ATIS | ATIS.3GPP.29.061V1140-2014 | 11.4.0 | Approved | May 14 | https://www.atis.org/docstore/default.aspx |
| CCSA | CCSA-TSD-TDD-29.061 | 11.7.0 | Published | Jun 14 | http://www.ccsa.org.cn/english/tc/files.php?docpath=/ITU-R/M.1457/M.1457-12/TDD |
| ETSI | ETSI TS 129 061 | 11.4.0 | Published | Apr 13 | http://www.etsi.org/deliver/etsi_ts/129000_129099/129061/11.04.00_60/ |
| TTC | TS-3GA-29.061(Rel11)v11.4.0 | 11.4.0 | Approved | Jun 13 | http://www.ttc.or.jp/jp/document_list/free/3gpps2013/TS/TS-3GA-29.061(Rel11)v11.4.0.pdf |

5.3.2.12.124 TS 29.078**Customised Applications for Mobile network Enhanced Logic (CAMEL) Phase 4; CAMEL Application Part (CAP) specification**

This document specifies the CAMEL Application Part (CAP) supporting the fourth phase of the network feature Customized Applications for Mobile network Enhanced Logic. CAP is based on a sub-set of the ETSI Core INAP CS-2 as specified by ETSI EN 301 140-1. Descriptions and definitions provided by ETSI EN 301 140-1 are directly referenced by this standard in the case no additions or clarifications are needed for the use in the CAP.

| SDO (2) | Document No. | Version | Status | Issued date | Location (1) |
|-------------------|----------------------------|---------|-----------|-------------|---|
| Release 99 | | | | | |
| TTC | TS-3GA-29.078(R99)v3.16.0 | 3.16.0 | Approved | Dec 09 | http://www.ttc.or.jp/j/document_list/free/3gpps2009/TS/TS-3GA-29.078(R99)v3.16.0.pdf |
| Release 4 | | | | | |
| CCSA | CCSA-TSD-TDD-29.078 | 4.9.0 | Published | Jun 14 | http://www.ccsa.org.cn/english/tc/files.php?docpath=/ITU-R/M.1457/M.1457-12/TDD |
| TTC | TS-3GA-29.078(Rel4)v4.9.0 | 4.9.0 | Approved | Dec 09 | http://www.ttc.or.jp/j/document_list/free/3gpps2009/TS/TS-3GA-29.078(Rel4)v4.9.0.pdf |
| Release 5 | | | | | |
| CCSA | CCSA-TSD-TDD-29.078 | 5.10.0 | Published | Jun 14 | http://www.ccsa.org.cn/english/tc/files.php?docpath=/ITU-R/M.1457/M.1457-12/TDD |
| TTC | TS-3GA-29.078(Rel5)v5.10.0 | 5.10.0 | Approved | Dec 09 | http://www.ttc.or.jp/j/document_list/free/3gpps2009/TS/TS-3GA-29.078(Rel5)v5.10.0.pdf |
| Release 6 | | | | | |
| CCSA | CCSA-TSD-TDD-29.078 | 6.6.0 | Published | Jun 14 | http://www.ccsa.org.cn/english/tc/files.php?docpath=/ITU-R/M.1457/M.1457-12/TDD |
| TTC | TS-3GA-29.078(Rel6)v6.6.0 | 6.6.0 | Approved | Dec 09 | http://www.ttc.or.jp/j/document_list/free/3gpps2009/TS/TS-3GA-29.078(Rel6)v6.6.0.pdf |
| Release 7 | | | | | |
| CCSA | CCSA-TSD-TDD-29.078 | 7.6.0 | Published | Jun 14 | http://www.ccsa.org.cn/english/tc/files.php?docpath=/ITU-R/M.1457/M.1457-12/TDD |
| TTC | TS-3GA-29.078(Rel7)v7.6.0 | 7.6.0 | Approved | Oct 10 | http://www.ttc.or.jp/j/document_list/free/3gpps2010/TS/TS-3GA-29.078(Rel7)v7.6.0.pdf |
| Release 8 | | | | | |
| CCSA | CCSA-TSD-TDD-29.078 | 8.3.0 | Published | Jun 14 | http://www.ccsa.org.cn/english/tc/files.php?docpath=/ITU-R/M.1457/M.1457-12/TDD |
| TTC | TS-3GA-29.078(Rel8)v8.3.0 | 8.3.0 | Approved | Oct 10 | http://www.ttc.or.jp/j/document_list/free/3gpps2010/TS/TS-3GA-29.078(Rel8)v8.3.0.pdf |
| Release 9 | | | | | |
| CCSA | CCSA-TSD-TDD-29.078 | 9.2.0 | Published | Jun 14 | http://www.ccsa.org.cn/english/tc/files.php?docpath=/ITU-R/M.1457/M.1457-12/TDD |
| TTC | TS-3GA-29.078(Rel9)v9.2.0 | 9.2.0 | Approved | Oct 10 | http://www.ttc.or.jp/j/document_list/free/3gpps2010/TS/TS-3GA-29.078(Rel9)v9.2.0.pdf |
| Release 10 | | | | | |
| CCSA | CCSA-TSD-TDD-29.078 | 10.0.0 | Published | Jun 14 | http://www.ccsa.org.cn/english/tc/files.php?docpath=/ITU-R/M.1457/M.1457-12/TDD |

| | | | | | |
|-------------------|-----------------------------|--------|-----------|--------|---|
| TTC | TS-3GA-29.078(Rel10)v10.0.0 | 10.0.0 | Approved | Jun 11 | http://www.ttc.or.jp/j/document_list/free/3gpps2011/TS/TS-3GA-29.078(Rel10)v10.0.0.pdf |
| Release 11 | | | | | |
| ATIS | ATIS.3GPP.29.078V1120-2014 | 11.2.0 | Approved | May 14 | https://www.atis.org/docstore/default.aspx |
| CCSA | CCSA-TSD-TDD-29.078 | 11.2.0 | Published | Jun 14 | http://www.ccsa.org.cn/english/tc/files.php?docpath=/ITU-R/M.1457/M.1457-12/TDD |
| TTC | TS-3GA-29.078(Rel11)v11.2.0 | 11.2.0 | Approved | Jun 13 | http://www.ttc.or.jp/j/document_list/free/3gpps2013/TS/TS-3GA-29.078(Rel11)v11.2.0.pdf |

5.3.2.12.125 TS 29.079

Optimal media routing within the IP Multimedia Subsystem (IMS); Stage 3

This document defines optional Optimal Media Routing (OMR) procedures that can be applied by entities in the IP Multimedia Subsystem (IMS) that control media resources and are capable of manipulating the Session Description Protocol (SDP) as defined by IETF RFC 4566. The OMR procedures relate to the handling of OMR-specific SDP attributes that are documented in TS 24.229. The OMR procedures use SDP offer/answer related procedures in IETF RFC 3264 and in 3GPP TS 24.229 in a backward-compatible manner.

| SDO (2) | Document No. | Version | Status | Issued date | Location (1) |
|-------------------|-----------------------------|---------|-----------|-------------|---|
| Release 10 | | | | | |
| ATIS | ATIS.3GPP.29.079V1040-2014 | 10.4.0 | Approved | May 14 | https://www.atis.org/docstore/default.aspx |
| CCSA | CCSA-TSD-TDD-29.079 | 10.2.0 | Published | Jun 12 | http://www.ccsa.org.cn/english/tc/files.php?docpath=/ITU-R/M.1457/M.1457-12/TDD |
| ETSI | ETSI TS 129 079 | 10.4.0 | Published | Jan 13 | http://www.etsi.org/deliver/etsi_ts/129000_129099/129079/10.04.00_60/ |
| TTC | TS-3GA-29.079(Rel10)v10.4.0 | 10.4.0 | Approved | Jun 13 | http://www.ttc.or.jp/j/document_list/free/3gpps2013/TS/TS-3GA-29.079(Rel10)v10.4.0.pdf |
| Release 11 | | | | | |
| ATIS | ATIS.3GPP.29.079V1130-2014 | 11.3.0 | Approved | May 14 | https://www.atis.org/docstore/default.aspx |
| CCSA | CCSA-TSD-TDD-29.079 | 11.4.0 | Published | Jun 14 | http://www.ccsa.org.cn/english/tc/files.php?docpath=/ITU-R/M.1457/M.1457-12/TDD |
| ETSI | ETSI TS 129 079 | 11.3.0 | Published | Apr 13 | http://www.etsi.org/deliver/etsi_ts/129000_129099/129079/11.03.00_60/ |
| TTC | TS-3GA-29.079(Rel11)v11.3.0 | 11.3.0 | Approved | Jun 13 | http://www.ttc.or.jp/j/document_list/free/3gpps2013/TS/TS-3GA-29.079(Rel11)v11.3.0.pdf |

5.3.2.12.126 TS 29.118

Mobility Management Entity (MME) – Visitor Location Register (VLR) SGs interface specification

CS Fallback in the Evolved Packet System (EPS) enables the provisioning of CS-domain services (e.g. voice call, Location Services (LCS) or supplementary services) by reuse of CS infrastructure when the UE is served by E-UTRAN. Additionally, SMS delivery via the CS core network is realized without CS fallback. This document specifies the procedures and the SGs Application Part (SGsAP) messages used on the SGs interface between the Mobility Management Entity (MME) in the EPS and the Visitor Location Register (VLR), to allow location management coordination and to relay certain messages related to GSM circuit switched services over the EPS system. It also specifies the use of Stream Control Transmission Protocol (SCTP) for the transport of SGsAP messages.

| SDO (2) | Document No. | Version | Status | Issued date | Location (1) |
|------------------|---------------------|---------|-----------|-------------|---|
| Release 8 | | | | | |
| CCSA | CCSA-TSD-TDD-29.118 | 8.9.0 | Published | Jun 12 | http://www.ccsa.org.cn/english/tc/files.php?docpath=/ITU-R/M.1457/M.1457-12/TDD |
| ETSI | ETSI TS 129 118 | 8.11.0 | Published | Oct 12 | http://www.etsi.org/deliver/etsi_ts/129100_129199/129118/08.11.00_60/ |

| | | | | | |
|-------------------|-----------------------------|---------|-----------|--------|---|
| TTC | TS-3GA-29.118(Rel8)v8.11.0 | 8.11.0 | Approved | Dec 12 | http://www.ttc.or.jp/j/document_list/free/3gpps2012/TS/TS-3GA-29.118(Rel8)v8.11.0.pdf |
| Release 9 | | | | | |
| ATIS | ATIS.3GPP.29.118V980-2014 | 9.8.0 | Approved | May 14 | https://www.atis.org/docstore/default.aspx |
| CCSA | CCSA-TSD-TDD-29.118 | 9.6.0 | Published | Jun 12 | http://www.ccsa.org.cn/english/tc/files.php?docpath=/ITU-R/M.1457/M.1457-12/TDD |
| ETSI | ETSI TS 129 118 | 9.8.0 | Published | Oct 12 | http://www.etsi.org/deliver/etsi_ts/129100_129199/129118/09.08.00_60/ |
| TTC | TS-3GA-29.118(Rel9)v9.8.0 | 9.8.0 | Approved | Dec 12 | http://www.ttc.or.jp/j/document_list/free/3gpps2012/TS/TS-3GA-29.118(Rel9)v9.8.0.pdf |
| Release 10 | | | | | |
| ATIS | ATIS.3GPP.29.118V1090-2014 | 10.9.0 | Approved | May 14 | https://www.atis.org/docstore/default.aspx |
| CCSA | CCSA-TSD-TDD-29.118 | 10.6.0 | Published | Jun 12 | http://www.ccsa.org.cn/english/tc/files.php?docpath=/ITU-R/M.1457/M.1457-12/TDD |
| ETSI | ETSI TS 129 118 | 10.9.0 | Published | Oct 12 | http://www.etsi.org/deliver/etsi_ts/129100_129199/129118/10.09.00_60/ |
| TTC | TS-3GA-29.118(Rel10)v10.9.0 | 10.9.0 | Approved | Dec 12 | http://www.ttc.or.jp/j/document_list/free/3gpps2012/TS/TS-3GA-29.118(Rel10)v10.9.0.pdf |
| Release 11 | | | | | |
| ATIS | ATIS.3GPP.29.118V1160-2014 | 11.6.0 | Approved | May 14 | https://www.atis.org/docstore/default.aspx |
| CCSA | CCSA-TSD-TDD-29.118 | 11.11.0 | Published | Jun 14 | http://www.ccsa.org.cn/english/tc/files.php?docpath=/ITU-R/M.1457/M.1457-12/TDD |
| ETSI | ETSI TS 129 118 | 11.6.0 | Published | Apr 13 | http://www.etsi.org/deliver/etsi_ts/129100_129199/129118/11.06.00_60/ |
| TTC | TS-3GA-29.118(Rel11)v11.6.0 | 11.6.0 | Approved | Jun 13 | http://www.ttc.or.jp/j/document_list/free/3gpps2013/TS/TS-3GA-29.118(Rel11)v11.6.0.pdf |

5.3.2.12.127 TS 29.161

Interworking between the Public Land Mobile Network (PLMN) supporting packet based services with Wireless Local Area Network (WLAN) access and Packet data Networks (PDN)

This document defines the requirements for Packet Domain interworking between a PLMN with WLAN access and PDN; and the requirements for Packet Domain interworking between PLMN with WLAN access and PLMN.

This document also defines the usage of Radius at the Pp Reference Point between the Packet Data Gateway and the Presence Network Agent.

| SDO (2) | Document No. | Version | Status | Issued date | Location (1) |
|-------------------|---------------------------|---------|-----------|-------------|---|
| Release 6 | | | | | |
| CCSA | CCSA-TSD-TDD-29.161 | 6.3.0 | Published | Jun 14 | http://www.ccsa.org.cn/english/tc/files.php?docpath=/ITU-R/M.1457/M.1457-12/TDD |
| TTC | TS-3GA-29.161(Rel6)v6.3.0 | 6.3.0 | Approved | Mar 07 | http://www.ttc.or.jp/j/document_list/free/TS/TS-3GA-29.161(Rel6)v6.3.0.pdf |
| Release 7 | | | | | |
| CCSA | CCSA-TSD-TDD-29.161 | 7.2.0 | Published | Jun 14 | http://www.ccsa.org.cn/english/tc/files.php?docpath=/ITU-R/M.1457/M.1457-12/TDD |
| TTC | TS-3GA-29.161(Rel7)v7.2.0 | 7.2.0 | Approved | Mar 08 | http://www.ttc.or.jp/j/document_list/free/TS/TS-3GA-29.161(Rel7)v7.2.0.pdf |
| Release 8 | | | | | |
| CCSA | CCSA-TSD-TDD-29.161 | 8.0.0 | Published | Jun 14 | http://www.ccsa.org.cn/english/tc/files.php?docpath=/ITU-R/M.1457/M.1457-12/TDD |
| TTC | TS-3GA-29.161(Rel8)v8.0.0 | 8.0.0 | Approved | Feb 09 | http://www.ttc.or.jp/j/document_list/free/3gpps2009/TS/TS-3GA-29.161(Rel8)v8.0.0.pdf |
| Release 9 | | | | | |
| CCSA | CCSA-TSD-TDD-29.161 | 9.0.0 | Published | Jun 14 | http://www.ccsa.org.cn/english/tc/files.php?docpath=/ITU-R/M.1457/M.1457-12/TDD |
| TTC | TS-3GA-29.161(Rel9)v9.0.0 | 9.0.0 | Approved | Jul 10 | http://www.ttc.or.jp/j/document_list/free/3gpps2010/TS/TS-3GA-29.161(Rel9)v9.0.0.pdf |
| Release 10 | | | | | |
| CCSA | CCSA-TSD-TDD-29.161 | 10.0.1 | Published | Jun 14 | http://www.ccsa.org.cn/english/tc/files.php?docpath=/ITU-R/M.1457/M.1457-12/TDD |

| | | | | | |
|-------------------|-----------------------------|--------|-----------|--------|---|
| TTC | TS-3GA-29.161(Rel10)v10.0.1 | 10.0.1 | Approved | Jun 11 | http://www.ttc.or.jp/j/document_list/free/3gpps2011/TS/TS-3GA-29.161(Rel10)v10.0.1.pdf |
| Release 11 | | | | | |
| ATIS | ATIS.3GPP.29.161V1100-2014 | 11.0.0 | Approved | May 14 | https://www.atis.org/docstore/default.aspx |
| CCSA | CCSA-TSD-TDD-29.161 | 11.0.0 | Published | Jun 14 | http://www.ccsa.org.cn/english/tc/files.php?docpath=/ITU-R/M.1457/M.1457-12/TDD |
| TTC | TS-3GA-29.161(Rel11)v11.0.0 | 11.0.0 | Approved | Jun 13 | http://www.ttc.or.jp/j/document_list/free/3gpps2013/TS/TS-3GA-29.161(Rel11)v11.0.0.pdf |

5.3.2.12.128 TS 29.162

Interworking between the IM CN subsystem and IP networks

The IM CN subsystem interworks with the external IP networks through the Mb reference point. This document details the interworking between the IM CN subsystem and external IP networks for IM service support. It addresses the issues of control plane interworking and, user plane interworking for specific interworking use cases. The document describes the IMS-Ix interface requirements in the form of Use Cases which require H.248 protocol procedures and also details the additional Information Elements required to perform the specific procedures.

The IP version Interworking, between IP version 4 (IETF RFC 791) and IP version 6 (IETF RFC 2460) detailed in terms of the processes and protocol mappings required in order to support both mobile originated and terminated calls.

| SDO (2) | Document No. | Version | Status | Issued date | Location (1) |
|-------------------|-----------------------------|---------|-----------|-------------|---|
| Release 6 | | | | | |
| CCSA | CCSA-TSD-TDD-29.162 | 6.2.0 | Published | Jun 12 | http://www.ccsa.org.cn/english/tc/files.php?docpath=/ITU-R/M.1457/M.1457-12/TDD |
| ETSI | ETSI TS 129 162 | 6.2.0 | Published | Oct 05 | http://www.etsi.org/deliver/etsi_ts/129100_129199/129162/06.02.00_60/ |
| TTC | TS-3GA-29.162(Rel6)v6.2.0 | 6.2.0 | Approved | Nov 05 | http://www.ttc.or.jp/j/document_list/free/TS/TS-3GA-29.162(Rel6)v6.2.0.pdf |
| Release 7 | | | | | |
| CCSA | CCSA-TSD-TDD-29.162 | 7.4.0 | Published | Jun 12 | http://www.ccsa.org.cn/english/tc/files.php?docpath=/ITU-R/M.1457/M.1457-12/TDD |
| ETSI | ETSI TS 129 162 | 7.4.0 | Published | Oct 10 | http://www.etsi.org/deliver/etsi_ts/129100_129199/129162/07.04.00_60/ |
| TTC | TS-3GA-29.162(Rel7)v7.4.0 | 7.4.0 | Approved | Dec 10 | http://www.ttc.or.jp/j/document_list/free/3gpps2010/TS/TS-3GA-29.162(Rel7)v7.4.0.pdf |
| Release 8 | | | | | |
| CCSA | CCSA-TSD-TDD-29.162 | 8.5.0 | Published | Jun 12 | http://www.ccsa.org.cn/english/tc/files.php?docpath=/ITU-R/M.1457/M.1457-12/TDD |
| ETSI | ETSI TS 129 162 | 8.5.0 | Published | Jun 11 | http://www.etsi.org/deliver/etsi_ts/129100_129199/129162/08.05.00_60/ |
| TTC | TS-3GA-29.162(Rel8)v8.5.0 | 8.5.0 | Approved | Aug 11 | http://www.ttc.or.jp/j/document_list/free/3gpps2011/TS/TS-3GA-29.162(Rel8)v8.5.0.pdf |
| Release 9 | | | | | |
| ATIS | ATIS.3GPP.29.162V970-2012 | 9.7.0 | Approved | Jul 12 | https://www.atis.org/docstore/default.aspx |
| CCSA | CCSA-TSD-TDD-29.162 | 9.7.0 | Published | Jun 12 | http://www.ccsa.org.cn/english/tc/files.php?docpath=/ITU-R/M.1457/M.1457-12/TDD |
| ETSI | ETSI TS 129 162 | 9.7.0 | Published | Jun 11 | http://www.etsi.org/deliver/etsi_ts/129100_129199/129162/09.07.00_60/ |
| TTC | TS-3GA-29.162(Rel9)v9.7.0 | 9.7.0 | Approved | Aug 11 | http://www.ttc.or.jp/j/document_list/free/3gpps2011/TS/TS-3GA-29.162(Rel9)v9.7.0.pdf |
| Release 10 | | | | | |
| ATIS | ATIS.3GPP.29.162V1070-2014 | 10.7.0 | Approved | May 14 | https://www.atis.org/docstore/default.aspx |
| CCSA | CCSA-TSD-TDD-29.162 | 10.4.0 | Published | Jun 12 | http://www.ccsa.org.cn/english/tc/files.php?docpath=/ITU-R/M.1457/M.1457-12/TDD |
| ETSI | ETSI TS 129 162 | 10.7.0 | Published | Jan 13 | http://www.etsi.org/deliver/etsi_ts/129100_129199/129162/10.07.00_60/ |
| TTC | TS-3GA-29.162(Rel10)v10.7.0 | 10.7.0 | Approved | Jun 13 | http://www.ttc.or.jp/j/document_list/free/3gpps2013/TS/TS-3GA-29.162(Rel10)v10.7.0.pdf |
| Release 11 | | | | | |
| ATIS | ATIS.3GPP.29.162V1110-2014 | 11.1.0 | Approved | May 14 | https://www.atis.org/docstore/default.aspx |
| CCSA | CCSA-TSD-TDD-29.162 | 11.2.0 | Published | Jun 14 | http://www.ccsa.org.cn/english/tc/files.php?docpath=/ITU-R/M.1457/M.1457-12/TDD |

| | | | | | |
|------|-----------------------------|--------|-----------|--------|---|
| ETSI | ETSI TS 129 162 | 11.1.0 | Published | Jan 13 | http://www.etsi.org/deliver/etsi_ts/129100_129199/129162/11.01.00_60/ |
| TTC | TS-3GA-29.162(Rel11)v11.1.0 | 11.1.0 | Approved | Jun 13 | http://www.ttc.or.jp/jp/document_list/free/3gpps2013/TS/TS-3GA-29.162(Rel11)v11.1.0.pdf |

5.3.2.12.129 TS 29.163

Interworking between the IP Multimedia (IM) Core Network (CN) subsystem and Circuit Switched (CS) networks

This document specifies the principles of interworking between the 3GPP IM CN subsystem and BICC/ISUP based legacy CS networks, in order to support IM basic voice, data and multimedia calls. This document addresses the areas of control and user plane interworking between the IM CN subsystem and CS networks through the network functions, which include the MGCF and IM-MGW. For the specification of control plane interworking, areas such as the interworking between SIP and BICC or ISUP are detailed in terms of the processes and protocol mappings required for the support of both IM originated and terminated voice and multimedia calls. Other areas addressed encompass the transport protocol and signalling issues for negotiation and mapping of bearer capabilities and QoS information.

| SDO (2) | Document No. | Version | Status | Issued date | Location (1) |
|-------------------|-----------------------------|---------|-----------|-------------|---|
| Release 6 | | | | | |
| CCSA | CCSA-TSD-TDD-29.163 | 6.12.0 | Published | Jun 12 | http://www.ccsa.org.cn/english/tc/files.php?docpath=/ITU-R/M.1457/M.1457-12/TDD |
| ETSI | ETSI TS 129 163 | 6.12.1 | Published | Oct 12 | http://www.etsi.org/deliver/etsi_ts/129100_129199/129163/06.12.01_60/ |
| TTC | TS-3GA-29.163(Rel6)v6.12.0 | 6.12.0 | Approved | Oct 09 | http://www.ttc.or.jp/jp/document_list/free/3gpps2009/TS/TS-3GA-29.163(Rel6)v6.12.0.pdf |
| Release 7 | | | | | |
| CCSA | CCSA-TSD-TDD-29.163 | 7.25.0 | Published | Jun 12 | http://www.ccsa.org.cn/english/tc/files.php?docpath=/ITU-R/M.1457/M.1457-12/TDD |
| ETSI | ETSI TS 129 163 | 7.26.0 | Published | Oct 12 | http://www.etsi.org/deliver/etsi_ts/129100_129199/129163/07.26.00_60/ |
| TTC | TS-3GA-29.163(Rel7)v7.26.0 | 7.26.0 | Approved | Dec 12 | http://www.ttc.or.jp/jp/document_list/free/3gpps2012/TS/TS-3GA-29.163(Rel7)v7.26.0.pdf |
| Release 8 | | | | | |
| CCSA | CCSA-TSD-TDD-29.163 | 8.17.0 | Published | Jun 12 | http://www.ccsa.org.cn/english/tc/files.php?docpath=/ITU-R/M.1457/M.1457-12/TDD |
| ETSI | ETSI TS 129 163 | 8.21.0 | Published | Apr 13 | http://www.etsi.org/deliver/etsi_ts/129100_129199/129163/08.21.00_60/ |
| TTC | TS-3GA-29.163(Rel8)v8.21.0 | 8.21.0 | Approved | Jun 13 | http://www.ttc.or.jp/jp/document_list/free/3gpps2013/TS/TS-3GA-29.163(Rel8)v8.21.0.pdf |
| Release 9 | | | | | |
| ATIS | ATIS.3GPP.29.163V9130-2014 | 9.13.0 | Approved | May 14 | https://www.atis.org/docstore/default.aspx |
| CCSA | CCSA-TSD-TDD-29.163 | 9.8.0 | Published | Jun 12 | http://www.ccsa.org.cn/english/tc/files.php?docpath=/ITU-R/M.1457/M.1457-12/TDD |
| ETSI | ETSI TS 129 163 | 9.13.0 | Published | Apr 13 | http://www.etsi.org/deliver/etsi_ts/129100_129199/129163/09.13.00_60/ |
| TTC | TS-3GA-29.163(Rel9)v9.13.0 | 9.13.0 | Approved | Jun 13 | http://www.ttc.or.jp/jp/document_list/free/3gpps2013/TS/TS-3GA-29.163(Rel9)v9.13.0.pdf |
| Release 10 | | | | | |
| ATIS | ATIS.3GPP.29.163V1090-2014 | 10.9.0 | Approved | May 14 | https://www.atis.org/docstore/default.aspx |
| CCSA | CCSA-TSD-TDD-29.163 | 10.4.0 | Published | Jun 12 | http://www.ccsa.org.cn/english/tc/files.php?docpath=/ITU-R/M.1457/M.1457-12/TDD |
| ETSI | ETSI TS 129 163 | 10.9.0 | Published | Apr 13 | http://www.etsi.org/deliver/etsi_ts/129100_129199/129163/10.09.00_60/ |
| TTC | TS-3GA-29.163(Rel10)v10.9.0 | 10.9.0 | Approved | Jun 13 | http://www.ttc.or.jp/jp/document_list/free/3gpps2013/TS/TS-3GA-29.163(Rel10)v10.9.0.pdf |
| Release 11 | | | | | |
| ATIS | ATIS.3GPP.29.163V1160-2014 | 11.6.0 | Approved | May 14 | https://www.atis.org/docstore/default.aspx |
| CCSA | CCSA-TSD-TDD-29.163 | 11.11.0 | Published | Jun 14 | http://www.ccsa.org.cn/english/tc/files.php?docpath=/ITU-R/M.1457/M.1457-12/TDD |
| ETSI | ETSI TS 129 163 | 11.6.0 | Published | Apr 13 | http://www.etsi.org/deliver/etsi_ts/129100_129199/129163/11.06.00_60/ |
| TTC | TS-3GA-29.163(Rel11)v11.6.0 | 11.6.0 | Approved | Jun 13 | http://www.ttc.or.jp/jp/document_list/free/3gpps2013/TS/TS-3GA-29.163(Rel11)v11.6.0.pdf |

5.3.2.12.130 TS 29.164**Interworking between the 3GPP CS domain with BICC or ISUP as signalling protocol and external SIP-I networks**

This document defines interworking procedures between a 3GPP CS domain (see 3GPP TS 23.205) which applies either BICC or ISUP as signalling protocol, and external networks that use SIP-I (see ITU-T Q.1912.5, Profile C) as signalling protocol. The document also describes the related interworking architecture. The control plane interworking is performed by an interworking unit at the interconnection between the 3GPP CS domain and an external SIP-I network. The user plane interworking is performed by an MGW. The document defines stage 2 procedures for the control of the MGW.

| SDO (2) | Document No. | Version | Status | Issued date | Location (1) |
|-------------------|-----------------------------|---------|-----------|-------------|---|
| Release 7 | | | | | |
| CCSA | CCSA-TSD-TDD-29.164 | 7.0.0 | Published | Jul 07 | http://www.ccsa.org.cn/english/tc/files.php?docpath=/ITU-R/M.1457/M.1457-12/TDD |
| ETSI | ETSI TS 129 164 | 7.0.0 | Published | Jul 07 | http://www.etsi.org/deliver/etsi_ts/129100_129199/129164/07.00.00_60/ |
| TTC | TS-3GA-29.164(Rel7)v7.0.0 | 7.0.0 | Approved | Mar 08 | http://www.ttc.or.jp/j/document_list/free/TS/TS-3GA-29.164(Rel7)v7.0.0.pdf |
| Release 8 | | | | | |
| ATIS | ATIS.3GPP.29.164V810-2010 | 8.1.0 | Approved | Jul 10 | https://www.atis.org/docstore/default.aspx |
| CCSA | CCSA-TSD-TDD-29.164 | 8.1.0 | Published | Mar 10 | http://www.ccsa.org.cn/english/tc/files.php?docpath=/ITU-R/M.1457/M.1457-12/TDD |
| ETSI | ETSI TS 129 164 | 8.1.0 | Published | Jun 09 | http://www.etsi.org/deliver/etsi_ts/129100_129199/129164/08.01.00_60/ |
| TTC | TS-3GA-29.164(Rel8)v8.1.0 | 8.1.0 | Approved | Oct 09 | http://www.ttc.or.jp/j/document_list/free/3gpps2009/TS/TS-3GA-29.164(Rel8)v8.1.0.pdf |
| Release 9 | | | | | |
| ATIS | ATIS.3GPP.29.164V920-2012 | 9.2.0 | Approved | Jul 12 | https://www.atis.org/docstore/default.aspx |
| CCSA | CCSA-TSD-TDD-29.164 | 9.2.0 | Published | Jun 12 | http://www.ccsa.org.cn/english/tc/files.php?docpath=/ITU-R/M.1457/M.1457-12/TDD |
| ETSI | ETSI TS 129 164 | 9.2.0 | Published | Oct 10 | http://www.etsi.org/deliver/etsi_ts/129100_129199/129164/09.02.00_60/ |
| TTC | TS-3GA-29.164(Rel9)v9.2.0 | 9.2.0 | Approved | Dec 10 | http://www.ttc.or.jp/j/document_list/free/3gpps2010/TS/TS-3GA-29.164(Rel9)v9.2.0.pdf |
| Release 10 | | | | | |
| ATIS | ATIS.3GPP.29.164V1001-2012 | 10.0.1 | Approved | Jul 12 | https://www.atis.org/docstore/default.aspx |
| CCSA | CCSA-TSD-TDD-29.164 | 10.0.1 | Published | Jun 12 | http://www.ccsa.org.cn/english/tc/files.php?docpath=/ITU-R/M.1457/M.1457-12/TDD |
| ETSI | ETSI TS 129 164 | 10.0.1 | Published | Apr 11 | http://www.etsi.org/deliver/etsi_ts/129100_129199/129164/10.00.01_60/ |
| TTC | TS-3GA-29.164(Rel10)v10.0.1 | 10.0.1 | Approved | Jun 11 | http://www.ttc.or.jp/j/document_list/free/3gpps2011/TS/TS-3GA-29.164(Rel10)v10.0.1.pdf |
| Release 11 | | | | | |
| ATIS | ATIS.3GPP.29.164V1100-2014 | 11.0.0 | Approved | May 14 | https://www.atis.org/docstore/default.aspx |
| CCSA | CCSA-TSD-TDD-29.164 | 11.0.0 | Published | Jun 14 | http://www.ccsa.org.cn/english/tc/files.php?docpath=/ITU-R/M.1457/M.1457-12/TDD |
| ETSI | ETSI TS 129 164 | 11.0.0 | Published | Oct 12 | http://www.etsi.org/deliver/etsi_ts/129100_129199/129164/11.00.00_60/ |
| TTC | TS-3GA-29.164(Rel11)v11.0.0 | 11.0.0 | Approved | Jun 13 | http://www.ttc.or.jp/j/document_list/free/3gpps2013/TS/TS-3GA-29.164(Rel11)v11.0.0.pdf |

5.3.2.12.131 TS 29.165**Inter-IMS Network to Network Interface (NNI)**

The objective of this document addresses the Inter-IMS Network to Network Interface (II-NNI) consisting of Ici and Izi reference points between IMS networks in order to support end-to-end service interoperability. The document addresses the issues related to control plane signalling (3GPP usage of SIP and SDP protocols, required SIP header fields) as well as other interconnecting aspects like security, numbering/naming/addressing and user plane issues as transport protocol, media and codecs actually covered in a widespread set of 3GPP specifications. A profiling of the Inter-IMS Network to Network

Interface (II-NNI) is also provided. Charging aspects are addressed as far as SIP signalling is concerned.

| SDO (2) | Document No. | Version | Status | Issued date | Location (1) |
|-------------------|------------------------------|---------|-----------|-------------|---|
| Release 8 | | | | | |
| CCSA | CCSA-TSD-TDD-29.165 | 8.10.0 | Published | Jun 12 | http://www.ccsa.org.cn/english/tc/files.php?docpath=/ITU-R/M.1457/M.1457-12/TDD |
| ETSI | ETSI TS 129 165 | 8.12.0 | Published | Apr 13 | http://www.etsi.org/deliver/etsi_ts/129100_129199/129165/08.12.00_60/ |
| TTC | TS-3GA-29.165(Rel8)v8.12.0 | 8.12.0 | Approved | Jun 13 | http://www.ttc.or.jp/j/document_list/free/3gpps2013/TS/TS-3GA-29.165(Rel8)v8.12.0.pdf |
| Release 9 | | | | | |
| ATIS | ATIS.3GPP.29.165V9140-2014 | 9.14.0 | Approved | May 14 | https://www.atis.org/docstore/default.aspx |
| CCSA | CCSA-TSD-TDD-29.165 | 9.9.0 | Published | Jun 12 | http://www.ccsa.org.cn/english/tc/files.php?docpath=/ITU-R/M.1457/M.1457-12/TDD |
| ETSI | ETSI TS 129 165 | 9.14.0 | Published | Apr 13 | http://www.etsi.org/deliver/etsi_ts/129100_129199/129165/09.14.00_60/ |
| TTC | TS-3GA-29.165(Rel9)v9.14.0 | 9.14.0 | Approved | Jun 13 | http://www.ttc.or.jp/jp/document_list/free/3gpps2013/TS/TS-3GA-29.165(Rel9)v9.14.0.pdf |
| Release 10 | | | | | |
| ATIS | ATIS.3GPP.29.165V10110- | 10.11.0 | Approved | May 14 | https://www.atis.org/docstore/default.aspx |
| CCSA | CCSA-TSD-TDD-29.165 | 10.6.0 | Published | Jun 12 | http://www.ccsa.org.cn/english/tc/files.php?docpath=/ITU-R/M.1457/M.1457-12/TDD |
| ETSI | ETSI TS 129 165 | 10.11.0 | Published | Apr 13 | http://www.etsi.org/deliver/etsi_ts/129100_129199/129165/10.11.00_60/ |
| TTC | TS-3GA-29.165(Rel10)v10.11.0 | 10.11.0 | Approved | Jun 13 | http://www.ttc.or.jp/jp/document_list/free/3gpps2013/TS/TS-3GA-29.165(Rel10)v10.11.0.pdf |
| Release 11 | | | | | |
| ATIS | ATIS.3GPP.29.165V1160-2014 | 11.6.0 | Approved | May 14 | https://www.atis.org/docstore/default.aspx |
| CCSA | CCSA-TSD-TDD-29.165 | 11.11.0 | Published | Jun 14 | http://www.ccsa.org.cn/english/tc/files.php?docpath=/ITU-R/M.1457/M.1457-12/TDD |
| ETSI | ETSI TS 129 165 | 11.6.0 | Published | Apr 13 | http://www.etsi.org/deliver/etsi_ts/129100_129199/129165/11.06.00_60/ |
| TTC | TS-3GA-29.165(Rel11)v11.6.0 | 11.6.0 | Approved | Jun 13 | http://www.ttc.or.jp/jp/document_list/free/3gpps2013/TS/TS-3GA-29.165(Rel11)v11.6.0.pdf |

5.3.2.12.132 TS 29.168

Cell Broadcast Centre interfaces with the Evolved Packet Core; Stage 3

This document specifies the procedures and the SBc Application Part (SBc-AP) messages used on the SBc-AP interface between the Mobility Management Entity (MME) and the Cell Broadcast Centre (CBC). This document supports the following functions: Warning Message Transmission function in the EPS.

| SDO (2) | Document No. | Version | Status | Issued date | Location (1) |
|-------------------|----------------------------|---------|-----------|-------------|---|
| Release 8 | | | | | |
| CCSA | CCSA-TSD-TDD-29.168 | 8.4.0 | Published | Jun 12 | http://www.ccsa.org.cn/english/tc/files.php?docpath=/ITU-R/M.1457/M.1457-12/TDD |
| ETSI | ETSI TS 129 168 | 8.4.0 | Published | Oct 10 | http://www.etsi.org/deliver/etsi_ts/129100_129199/129168/08.04.00_60/ |
| TTC | TS-3GA-29.168(Rel8)v8.4.0 | 8.4.0 | Approved | Dec 10 | http://www.ttc.or.jp/j/document_list/free/3gpps2010/TS/TS-3GA-29.168(Rel8)v8.4.0.pdf |
| Release 9 | | | | | |
| ATIS | ATIS.3GPP.29.168V950-2014 | 9.5.0 | Approved | May 14 | https://www.atis.org/docstore/default.aspx |
| CCSA | CCSA-TSD-TDD-29.168 | 9.4.0 | Published | Jun 12 | http://www.ccsa.org.cn/english/tc/files.php?docpath=/ITU-R/M.1457/M.1457-12/TDD |
| ETSI | ETSI TS 129 168 | 9.5.0 | Published | Apr 12 | http://www.etsi.org/deliver/etsi_ts/129100_129199/129168/09.05.00_60/ |
| TTC | TS-3GA-29.168(Rel9)v9.5.0 | 9.5.0 | Approved | Jun 12 | http://www.ttc.or.jp/j/document_list/free/3gpps2012/TS/TS-3GA-29.168(Rel9)v9.5.0.pdf |
| Release 10 | | | | | |
| ATIS | ATIS.3GPP.29.168V1020-2014 | 10.2.0 | Approved | May 14 | https://www.atis.org/docstore/default.aspx |

| | | | | | |
|-------------------|-----------------------------|--------|-----------|--------|---|
| CCSA | CCSA-TSD-TDD-29.168 | 10.1.0 | Published | Jun 12 | http://www.ccsa.org.cn/english/tc/files.php?docpath=/ITU-R/M.1457/M.1457-12/TDD |
| ETSI | ETSI TS 129 168 | 10.2.0 | Published | Apr 12 | http://www.etsi.org/deliver/etsi_ts/129100_129199/129168/10.02.00_60/ |
| TTC | TS-3GA-29.168(Rel10)v10.2.0 | 10.2.0 | Approved | Jun 12 | http://www.ttc.or.jp/j/document_list/free/3gpps2012/TS/TS-3GA-29.168(Rel10)v10.2.0.pdf |
| Release 11 | | | | | |
| ATIS | ATIS.3GPP.29.168V1140-2014 | 11.4.0 | Approved | May 14 | https://www.atis.org/docstore/default.aspx |
| CCSA | CCSA-TSD-TDD-29.168 | 11.4.0 | Published | Jun 14 | http://www.ccsa.org.cn/english/tc/files.php?docpath=/ITU-R/M.1457/M.1457-12/TDD |
| ETSI | ETSI TS 129 168 | 11.4.0 | Published | Oct 12 | http://www.etsi.org/deliver/etsi_ts/129100_129199/129168/11.04.00_60/ |
| TTC | TS-3GA-29.168(Rel11)v11.4.0 | 11.4.0 | Approved | Jun 13 | http://www.ttc.or.jp/j/document_list/free/3gpps2013/TS/TS-3GA-29.168(Rel11)v11.4.0.pdf |

5.3.2.12.133 TS 29.171

Location Services (LCS); LCS Application Protocol (LCS-AP) between the Mobile Management Entity (MME) and Evolved Serving Mobile Location Centre (E-SMLC); SLs interface

This document specifies the procedures and information coding for LCS Application Protocol (LCS-AP) that is needed to support the location services in E-UTRAN. The LCS-AP message set is applicable to the SLs interface between the E-SMLC and the MME. LCS-AP is developed in accordance to the general principles stated in 3GPP TS 23.271.

| SDO (2) | Document No. | Version | Status | Issued date | Location (1) |
|---------|--------------|---------|--------|-------------|--------------|
|---------|--------------|---------|--------|-------------|--------------|

5.3.2.12.134 TS 29.172

Location Services (LCS); Evolved Packet Core (EPC) LCS Protocol (ELP) between the Gateway Mobile Location Centre (GMLC) and the Mobile Management Entity (MME); SLg interface

This document specifies the procedures and information coding for the EPC LCS Protocol (ELP) that is needed to support the location services in E-UTRAN. The ELP message set is applicable to the SLg interface between the MME and the GMLC. ELP is developed in accordance to the general principles stated in 3GPP TS 23.271

| SDO (2) | Document No. | Version | Status | Issued date | Location (1) |
|---------|--------------|---------|--------|-------------|--------------|
|---------|--------------|---------|--------|-------------|--------------|

Release 9

| | | | | | |
|------|---------------------------|-------|-----------|--------|---|
| ATIS | ATIS.3GPP.29.172V940-2012 | 9.4.0 | Approved | Jul 12 | https://www.atis.org/docstore/default.aspx |
| CCSA | CCSA-TSD-TDD-29.172 | 9.4.0 | Published | Jun 12 | http://www.ccsa.org.cn/english/tc/files.php?docpath=/ITU-R/M.1457/M.1457-12/TDD |
| ETSI | ETSI TS 129 172 | 9.4.0 | Published | Apr 11 | http://www.etsi.org/deliver/etsi_ts/129100_129199/129172/09.04.00_60/ |
| TTC | TS-3GA-29.172(Rel9)v9.4.0 | 9.4.0 | Approved | Jun 11 | http://www.ttc.or.jp/j/document_list/free/3gpps2011/TS/TS-3GA-29.172(Rel9)v9.4.0.pdf |

Release 10

| | | | | | |
|------|-----------------------------|--------|-----------|--------|---|
| ATIS | ATIS.3GPP.29.172V1010-2012 | 10.1.0 | Approved | Jul 12 | https://www.atis.org/docstore/default.aspx |
| CCSA | CCSA-TSD-TDD-29.172 | 10.1.0 | Published | Jun 12 | http://www.ccsa.org.cn/english/tc/files.php?docpath=/ITU-R/M.1457/M.1457-12/TDD |
| ETSI | ETSI TS 129 172 | 10.1.0 | Published | Oct 11 | http://www.etsi.org/deliver/etsi_ts/129100_129199/129172/10.01.00_60/ |
| TTC | TS-3GA-29.172(Rel10)v10.1.0 | 10.1.0 | Approved | Dec 11 | http://www.ttc.or.jp/jp/document_list/free/3gpps2011/TS/TS-3GA-29.172(Rel10)v10.1.0.pdf |

Release 11

| | | | | | |
|------|----------------------------|--------|-----------|--------|---|
| ATIS | ATIS.3GPP.29.172V1100-2014 | 11.0.0 | Approved | May 14 | https://www.atis.org/docstore/default.aspx |
| CCSA | CCSA-TSD-TDD-29.172 | 11.1.0 | Published | Jun 14 | http://www.ccsa.org.cn/english/tc/files.php?docpath=/ITU-R/M.1457/M.1457-12/TDD |
| ETSI | ETSI TS 129 172 | 11.0.0 | Published | Oct 12 | http://www.etsi.org/deliver/etsi_ts/129100_129199/129172/11.00.00_60/ |

TTC TS-3GA-29.172(Rel11)v11.0.0 11.0.0 Approved Jun 13 [http://www.ttc.or.jp/jp/document_list/free/3gpps2013/TS/TS-3GA-29.172\(Rel11\)v11.0.0.pdf](http://www.ttc.or.jp/jp/document_list/free/3gpps2013/TS/TS-3GA-29.172(Rel11)v11.0.0.pdf)

5.3.2.12.135 TS 29.173

Location Services (LCS); Diameter-based SLh interface for Control Plane LCS

This document describes the Diameter-based SLh interface between the GMLC and the HSS defined for the Control Plane LCS in EPC.

| SDO (2) | Document No. | Version | Status | Issued date | Location (1) |
|-------------------|-----------------------------|---------|-----------|-------------|---|
| Release 9 | | | | | |
| ATIS | ATIS.3GPP.29.173V940-2014 | 9.4.0 | Approved | May 14 | https://www.atis.org/docstore/default.aspx |
| CCSA | CCSA-TSD-TDD-29.173 | 9.2.0 | Published | Jun 12 | http://www.ccsa.org.cn/english/tc/files.php?docpath=/ITU-R/M.1457/M.1457-12/TDD |
| ETSI | ETSI TS 129 173 | 9.4.0 | Published | Jan 13 | http://www.etsi.org/deliver/etsi_ts/129100_129199/129173/09.04.00_60/ |
| TTC | TS-3GA-29.173(Rel9)v9.4.0 | 9.4.0 | Approved | Jun 13 | http://www.ttc.or.jp/j/document_list/free/3gpps2013/TS/TS-3GA-29.173(Rel9)v9.4.0.pdf |
| Release 10 | | | | | |
| ATIS | ATIS.3GPP.29.173V1040-2014 | 10.4.0 | Approved | May 14 | https://www.atis.org/docstore/default.aspx |
| CCSA | CCSA-TSD-TDD-29.173 | 10.1.0 | Published | Jun 12 | http://www.ccsa.org.cn/english/tc/files.php?docpath=/ITU-R/M.1457/M.1457-12/TDD |
| ETSI | ETSI TS 129 173 | 10.4.0 | Published | Jan 13 | http://www.etsi.org/deliver/etsi_ts/129100_129199/129173/10.04.00_60/ |
| TTC | TS-3GA-29.173(Rel10)v10.4.0 | 10.4.0 | Approved | Jun 13 | http://www.ttc.or.jp/j/document_list/free/3gpps2013/TS/TS-3GA-29.173(Rel10)v10.4.0.pdf |
| Release 11 | | | | | |
| ATIS | ATIS.3GPP.29.173V1110-2014 | 11.1.0 | Approved | May 14 | https://www.atis.org/docstore/default.aspx |
| CCSA | CCSA-TSD-TDD-29.173 | 11.1.0 | Published | Jun 14 | http://www.ccsa.org.cn/english/tc/files.php?docpath=/ITU-R/M.1457/M.1457-12/TDD |
| ETSI | ETSI TS 129 173 | 11.1.0 | Published | Jan 13 | http://www.etsi.org/deliver/etsi_ts/129100_129199/129173/11.01.00_60/ |
| TTC | TS-3GA-29.173(Rel11)v11.1.0 | 11.1.0 | Approved | Jun 13 | http://www.ttc.or.jp/j/document_list/free/3gpps2013/TS/TS-3GA-29.173(Rel11)v11.1.0.pdf |

5.3.2.12.136 TS 29.202

Signalling System No. 7 (SS7) signalling transport in core network; Stage 3

This document defines the possible protocol architectures for transport of SS7 signalling protocols in Core Network.

| SDO (2) | Document No. | Version | Status | Issued date | Location (1) |
|------------------|---------------------------|---------|-----------|-------------|---|
| Release 4 | | | | | |
| CCSA | CCSA-TSD-TDD-29.202 | 4.3.0 | Published | Jun 12 | http://www.ccsa.org.cn/english/tc/files.php?docpath=/ITU-R/M.1457/M.1457-12/TDD |
| ETSI | ETSI TS 129 202 | 4.3.0 | Published | Jan 03 | http://www.etsi.org/deliver/etsi_ts/129200_129299/129202/04.03.00_60/ |
| TTC | TS-3GA-29.202(Rel4)v4.3.0 | 4.3.0 | Approved | Feb 03 | http://www.ttc.or.jp/j/document_list/free/TS/TS-3GA-29.202(Rel4)v4.3.0.pdf |
| Release 5 | | | | | |
| CCSA | CCSA-TSD-TDD-29.202 | 5.2.0 | Published | Jun 12 | http://www.ccsa.org.cn/english/tc/files.php?docpath=/ITU-R/M.1457/M.1457-12/TDD |
| ETSI | ETSI TS 129 202 | 5.2.0 | Published | Jan 03 | http://www.etsi.org/deliver/etsi_ts/129200_129299/129202/05.02.00_60/ |
| TTC | TS-3GA-29.202(Rel5)v5.2.0 | 5.2.0 | Approved | Feb 03 | http://www.ttc.or.jp/j/document_list/free/TS/TS-3GA-29.202(Rel5)v5.2.0.pdf |
| Release 6 | | | | | |
| CCSA | CCSA-TSD-TDD-29.202 | 6.0.0 | Published | Jun 12 | http://www.ccsa.org.cn/english/tc/files.php?docpath=/ITU-R/M.1457/M.1457-12/TDD |
| ETSI | ETSI TS 129 202 | 6.0.0 | Published | Jan 05 | http://www.etsi.org/deliver/etsi_ts/129200_129299/129202/06.00.00_60/ |
| TTC | TS-3GA-29.202(Rel6)v6.0.0 | 6.0.0 | Approved | Mar 05 | http://www.ttc.or.jp/j/document_list/free/TS/TS-3GA-29.202(Rel6)v6.0.0.pdf |
| Release 7 | | | | | |

| | | | | | |
|-------------------|-----------------------------|--------|-----------|--------|---|
| CCSA | CCSA-TSD-TDD-29.202 | 7.0.0 | Published | Jun 12 | http://www.ccsa.org.cn/english/tc/files.php?docpath=/ITU-R/M.1457/M.1457-12/TDD |
| ETSI | ETSI TS 129 202 | 7.0.0 | Published | Jul 07 | http://www.etsi.org/deliver/etsi_ts/129200_129299/129202/07.00.00_60/ |
| TTC | TS-3GA-29.202(Rel7)v7.0.0 | 7.0.0 | Approved | Mar 08 | http://www.ttc.or.jp/j/document_list/free/TS/TS-3GA-29.202(Rel7)v7.0.0.pdf |
| Release 8 | | | | | |
| CCSA | CCSA-TSD-TDD-29.202 | 8.1.1 | Published | Jun 12 | http://www.ccsa.org.cn/english/tc/files.php?docpath=/ITU-R/M.1457/M.1457-12/TDD |
| ETSI | ETSI TS 129 202 | 8.1.1 | Published | Jan 09 | http://www.etsi.org/deliver/etsi_ts/129200_129299/129202/08.01.01_60/ |
| TTC | TS-3GA-29.202(Rel8)v8.1.0 | 8.1.0 | Approved | Feb 09 | http://www.ttc.or.jp/j/document_list/free/3gpps2009/TS/TS-3GA-29.202(Rel8)v8.1.0.pdf |
| Release 9 | | | | | |
| CCSA | CCSA-TSD-TDD-29.202 | 9.0.0 | Published | Jun 12 | http://www.ccsa.org.cn/english/tc/files.php?docpath=/ITU-R/M.1457/M.1457-12/TDD |
| ETSI | ETSI TS 129 202 | 9.0.0 | Published | Jan 10 | http://www.etsi.org/deliver/etsi_ts/129200_129299/129202/09.00.00_60/ |
| TTC | TS-3GA-29.202(Rel9)v9.0.0 | 9.0.0 | Approved | Jul 10 | http://www.ttc.or.jp/j/document_list/free/3gpps2010/TS/TS-3GA-29.202(Rel9)v9.0.0.pdf |
| Release 10 | | | | | |
| ATIS | ATIS.3GPP.29.202V1010-2010 | 10.1.0 | Approved | Jul 12 | https://www.atis.org/docstore/default.aspx |
| CCSA | CCSA-TSD-TDD-29.202 | 10.1.0 | Published | Jun 12 | http://www.ccsa.org.cn/english/tc/files.php?docpath=/ITU-R/M.1457/M.1457-12/TDD |
| ETSI | ETSI TS 129 202 | 10.1.0 | Published | Jun 11 | http://www.etsi.org/deliver/etsi_ts/129200_129299/129202/10.01.00_60/ |
| TTC | TS-3GA-29.202(Rel10)v10.1.0 | 10.1.0 | Approved | Aug 11 | http://www.ttc.or.jp/j/document_list/free/3gpps2011/TS/TS-3GA-29.202(Rel10)v10.1.0.pdf |
| Release 11 | | | | | |
| ATIS | ATIS.3GPP.29.202V1100-2014 | 11.0.0 | Approved | May 14 | https://www.atis.org/docstore/default.aspx |
| CCSA | CCSA-TSD-TDD-29.202 | 11.0.0 | Published | Jun 14 | http://www.ccsa.org.cn/english/tc/files.php?docpath=/ITU-R/M.1457/M.1457-12/TDD |
| ETSI | ETSI TS 129 202 | 11.0.0 | Published | Oct 12 | http://www.etsi.org/deliver/etsi_ts/129200_129299/129202/11.00.00_60/ |
| TTC | TS-3GA-29.202(Rel11)v11.0.0 | 11.0.0 | Approved | Jun 13 | http://www.ttc.or.jp/j/document_list/free/3gpps2013/TS/TS-3GA-29.202(Rel11)v11.0.0.pdf |

5.3.2.12.137 TS 29.204

Signalling System No. 7 (SS7) security gateway; Architecture, functional description and protocol details

This document provides the functional description of the SS7 Security Gateway. The document covers also network architecture, routing considerations, and protocol details.

| SDO (2) | Document No. | Version | Status | Issued date | Location (1) |
|------------------|---------------------------|---------|-----------|-------------|---|
| Release 7 | | | | | |
| CCSA | CCSA-TSD-TDD-29.204 | 7.1.0 | Published | Apr 07 | http://www.ccsa.org.cn/english/tc/files.php?docpath=/ITU-R/M.1457/M.1457-12/TDD |
| ETSI | ETSI TS 129 204 | 7.1.0 | Published | Apr 07 | http://www.etsi.org/deliver/etsi_ts/129200_129299/129204/07.01.00_60/ |
| TTC | TS-3GA-29.204(Rel7)v7.1.0 | 7.1.0 | Approved | Mar 08 | http://www.ttc.or.jp/j/document_list/free/TS/TS-3GA-29.204(Rel7)v7.1.0.pdf |
| Release 8 | | | | | |
| ATIS | ATIS.3GPP.29.204V800-2009 | 8.0.0 | Approved | Jul 09 | https://www.atis.org/docstore/default.aspx |
| CCSA | CCSA-TSD-TDD-29.204 | 8.0.0 | Published | Jan 09 | http://www.ccsa.org.cn/english/tc/files.php?docpath=/ITU-R/M.1457/M.1457-12/TDD |
| ETSI | ETSI TS 129 204 | 8.0.0 | Published | Jan 09 | http://www.etsi.org/deliver/etsi_ts/129200_129299/129204/08.00.00_60/ |
| TTC | TS-3GA-29.204(Rel8)v8.0.0 | 8.0.0 | Approved | Feb 09 | http://www.ttc.or.jp/j/document_list/free/3gpps2009/TS/TS-3GA-29.204(Rel8)v8.0.0.pdf |
| Release 9 | | | | | |
| ATIS | ATIS.3GPP.29.204V900-2010 | 9.0.0 | Approved | Jul 10 | https://www.atis.org/docstore/default.aspx |
| CCSA | CCSA-TSD-TDD-29.204 | 9.0.0 | Published | Mar 10 | http://www.ccsa.org.cn/english/tc/files.php?docpath=/ITU-R/M.1457/M.1457-12/TDD |
| ETSI | ETSI TS 129 204 | 9.0.0 | Published | Jan 10 | http://www.etsi.org/deliver/etsi_ts/129200_129299/129204/09.00.00_60/ |
| TTC | TS-3GA-29.204(Rel9)v9.0.0 | 9.0.0 | Approved | Jul 10 | http://www.ttc.or.jp/j/document_list/free/3gpps2010/TS/TS-3GA-29.204(Rel9)v9.0.0.pdf |

Release 10

| | | | | | |
|------|-----------------------------|--------|-----------|--------|---|
| ATIS | ATIS.3GPP.29.204V1000-2012 | 10.0.0 | Approved | Jul 12 | https://www.atis.org/docstore/default.aspx |
| CCSA | CCSA-TSD-TDD-29.204 | 10.0.0 | Published | Jun 12 | http://www.ccsa.org.cn/english/tc/files.php?docpath=/ITU-R/M.1457/M.1457-12/TDD |
| ETSI | ETSI TS 129 204 | 10.0.0 | Published | May 11 | http://www.etsi.org/deliver/etsi_ts/129200_129299/129204/10.00.00_60/ |
| TTC | TS-3GA-29.204(Rel10)v10.0.0 | 10.0.0 | Approved | Jun 11 | http://www.ttc.or.jp/j/document_list/free/3gpps2011/TS/TS-3GA-29.204(Rel10)v10.0.0.pdf |

Release 11

| | | | | | |
|------|-----------------------------|--------|-----------|--------|---|
| ATIS | ATIS.3GPP.29.204V1100-2014 | 11.0.0 | Approved | May 14 | https://www.atis.org/docstore/default.aspx |
| CCSA | CCSA-TSD-TDD-29.204 | 11.0.0 | Published | Jun 14 | http://www.ccsa.org.cn/english/tc/files.php?docpath=/ITU-R/M.1457/M.1457-12/TDD |
| ETSI | ETSI TS 129 204 | 11.0.0 | Published | Oct 12 | http://www.etsi.org/deliver/etsi_ts/129200_129299/129204/11.00.00_60/ |
| TTC | TS-3GA-29.204(Rel11)v11.0.0 | 11.0.0 | Approved | Jun 13 | http://www.ttc.or.jp/j/document_list/free/3gpps2013/TS/TS-3GA-29.204(Rel11)v11.0.0.pdf |

5.3.2.12.138 TS 29.205**Application of Q.1900 series to bearer independent Circuit Switched (CS) core network architecture; Stage 3**

This document describes the protocols to be used when ITU-T Q.1902 “Bearer Independent Call Control” is used as call control protocol in a 3GPP Bearer Independent CS core network 3GPP TS 23.205 The Q.1902 operates between (G)MSC servers. The BICC architecture as described in ITU-T Q.1902 consists of a number of protocols. The following types of protocols are described: call control protocol, bearer control protocols and a resource control protocol for this architecture. The architecture complies with the requirements imposed by 3GPP TS 23.205 and TS 23.153.

| SDO (2) | Document No. | Version | Status | Issued date | Location (1) |
|------------------|---------------------------|---------|-----------|-------------|---|
| Release 4 | | | | | |
| CCSA | CCSA-TSD-TDD-29.205 | 4.3.0 | Published | Jun 12 | http://www.ccsa.org.cn/english/tc/files.php?docpath=/ITU-R/M.1457/M.1457-12/TDD |
| ETSI | ETSI TS 129 205 | 4.3.0 | Published | Jul 06 | http://www.etsi.org/deliver/etsi_ts/129200_129299/129205/04.03.00_60/ |
| TTC | TS-3GA-29.205(Rel4)v4.3.0 | 4.3.0 | Approved | Mar 07 | http://www.ttc.or.jp/j/document_list/free/TS/TS-3GA-29.205(Rel4)v4.3.0.pdf |
| Release 5 | | | | | |
| CCSA | CCSA-TSD-TDD-29.205 | 5.2.0 | Published | Jun 12 | http://www.ccsa.org.cn/english/tc/files.php?docpath=/ITU-R/M.1457/M.1457-12/TDD |
| ETSI | ETSI TS 129 205 | 5.2.0 | Published | Jul 06 | http://www.etsi.org/deliver/etsi_ts/129200_129299/129205/05.02.00_60/ |
| TTC | TS-3GA-29.205(Rel5)v5.2.0 | 5.2.0 | Approved | Mar 07 | http://www.ttc.or.jp/j/document_list/free/TS/TS-3GA-29.205(Rel5)v5.2.0.pdf |
| Release 6 | | | | | |
| CCSA | CCSA-TSD-TDD-29.205 | 6.1.0 | Published | Jun 12 | http://www.ccsa.org.cn/english/tc/files.php?docpath=/ITU-R/M.1457/M.1457-12/TDD |
| ETSI | ETSI TS 129 205 | 6.1.0 | Published | Jul 06 | http://www.etsi.org/deliver/etsi_ts/129200_129299/129205/06.01.00_60/ |
| TTC | TS-3GA-29.205(Rel6)v6.1.0 | 6.1.0 | Approved | Mar 07 | http://www.ttc.or.jp/j/document_list/free/TS/TS-3GA-29.205(Rel6)v6.1.0.pdf |
| Release 7 | | | | | |
| CCSA | CCSA-TSD-TDD-29.205 | 7.1.0 | Published | Jun 12 | http://www.ccsa.org.cn/english/tc/files.php?docpath=/ITU-R/M.1457/M.1457-12/TDD |
| ETSI | ETSI TS 129 205 | 7.1.0 | Published | Apr 11 | http://www.etsi.org/deliver/etsi_ts/129200_129299/129205/07.01.00_60/ |
| TTC | TS-3GA-29.205(Rel7)v7.1.0 | 7.1.0 | Approved | Jun 11 | http://www.ttc.or.jp/j/document_list/free/3gpps2011/TS/TS-3GA-29.205(Rel7)v7.1.0.pdf |
| Release 8 | | | | | |
| CCSA | CCSA-TSD-TDD-29.205 | 8.3.0 | Published | Jun 12 | http://www.ccsa.org.cn/english/tc/files.php?docpath=/ITU-R/M.1457/M.1457-12/TDD |
| ETSI | ETSI TS 129 205 | 8.3.0 | Published | Apr 11 | http://www.etsi.org/deliver/etsi_ts/129200_129299/129205/08.03.00_60/ |
| TTC | TS-3GA-29.205(Rel8)v8.3.0 | 8.3.0 | Approved | Jun 11 | http://www.ttc.or.jp/j/document_list/free/3gpps2011/TS/TS-3GA-29.205(Rel8)v8.3.0.pdf |
| Release 9 | | | | | |
| ATIS | ATIS.3GPP.29.205V930-2012 | 9.3.0 | Approved | Jul 12 | https://www.atis.org/docstore/default.aspx |

| | | | | | |
|-------------------|-----------------------------|--------|-----------|--------|---|
| CCSA | CCSA-TSD-TDD-29.205 | 9.3.0 | Published | Jun 12 | http://www.ccsa.org.cn/english/tc/files.php?docpath=/ITU-R/M.1457/M.1457-12/TDD |
| ETSI | ETSI TS 129 205 | 9.3.0 | Published | Apr 11 | http://www.etsi.org/deliver/etsi_ts/129200_129299/129205/09.03.00_60/ |
| TTC | TS-3GA-29.205(Rel9)v9.3.0 | 9.3.0 | Approved | Jun 11 | http://www.ttc.or.jp/j/document_list/free/3gpps2011/TS/TS-3GA-29.205(Rel9)v9.3.0.pdf |
| Release 10 | | | | | |
| ATIS | ATIS.3GPP.29.205V1030-2014 | 10.3.0 | Approved | May 14 | https://www.atis.org/docstore/default.aspx |
| CCSA | CCSA-TSD-TDD-29.205 | 10.3.0 | Published | Jun 12 | http://www.ccsa.org.cn/english/tc/files.php?docpath=/ITU-R/M.1457/M.1457-12/TDD |
| ETSI | ETSI TS 129 205 | 10.3.0 | Published | Jan 12 | http://www.etsi.org/deliver/etsi_ts/129200_129299/129205/10.03.00_60/ |
| TTC | TS-3GA-29.205(Rel10)v10.3.0 | 10.3.0 | Approved | Feb 12 | http://www.ttc.or.jp/j/document_list/free/3gpps2012/TS/TS-3GA-29.205(Rel10)v10.3.0.pdf |
| Release 11 | | | | | |
| ATIS | ATIS.3GPP.29.205V1100-2014 | 11.0.0 | Approved | May 14 | https://www.atis.org/docstore/default.aspx |
| CCSA | CCSA-TSD-TDD-29.205 | 11.0.0 | Published | Jun 14 | http://www.ccsa.org.cn/english/tc/files.php?docpath=/ITU-R/M.1457/M.1457-12/TDD |
| ETSI | ETSI TS 129 205 | 11.0.0 | Published | Oct 12 | http://www.etsi.org/deliver/etsi_ts/129200_129299/129205/11.00.00_60/ |
| TTC | TS-3GA-29.205(Rel11)v11.0.0 | 11.0.0 | Approved | Jun 13 | http://www.ttc.or.jp/j/document_list/free/3gpps2013/TS/TS-3GA-29.205(Rel11)v11.0.0.pdf |

5.3.2.12.139 TS 29.212

Policy and Charging Control (PCC) over Gx/Sd reference point

This document provides the stage 3 specification of the Gx and Gxx reference points. The functional requirements and the stage 2 specifications of the Gx and Gxx reference point are contained in 3GPP TS 23.203. The Gx reference point lies between the Policy and Charging Rule Function and the Policy and Charging Enforcement Function. The Gxx reference point lies between the Policy and Charging Rule Function and the Bearer Binding and Event Reporting Function. Whenever possible the document specifies the requirements for the protocol by reference to specifications produced by the IETF within the scope of Diameter. Where this is not possible, extensions to Diameter are defined within the document itself.

| SDO (2) | Document No. | Version | Status | Issued date | Location (1) |
|-------------------|------------------------------|---------|-----------|-------------|---|
| Release 7 | | | | | |
| CCSA | CCSA-TSD-TDD-29.212 | 7.12.0 | Published | Jun 12 | http://www.ccsa.org.cn/english/tc/files.php?docpath=/ITU-R/M.1457/M.1457-12/TDD |
| ETSI | ETSI TS 129 212 | 7.15.0 | Published | Jan 13 | http://www.etsi.org/deliver/etsi_ts/129200_129299/129212/07.15.00_60/ |
| TTC | TS-3GA-29.212(Rel7)v7.15.0 | 7.15.0 | Approved | Jun 13 | http://www.ttc.or.jp/jp/document_list/free/3gpps2013/TS/TS-3GA-29.212(Rel7)v7.15.0.pdf |
| Release 8 | | | | | |
| ATIS | ATIS.3GPP.29.212V8180-2014 | 8.18.0 | Approved | May 14 | https://www.atis.org/docstore/default.aspx |
| CCSA | CCSA-TSD-TDD-29.212 | 8.14.0 | Published | Jun 12 | http://www.ccsa.org.cn/english/tc/files.php?docpath=/ITU-R/M.1457/M.1457-12/TDD |
| ETSI | ETSI TS 129 212 | 8.18.0 | Published | Apr 13 | http://www.etsi.org/deliver/etsi_ts/129200_129299/129212/08.18.00_60/ |
| TTC | TS-3GA-29.212(Rel8)v8.18.0 | 8.18.0 | Approved | Jun 13 | http://www.ttc.or.jp/jp/document_list/free/3gpps2013/TS/TS-3GA-29.212(Rel8)v8.18.0.pdf |
| Release 9 | | | | | |
| ATIS | ATIS.3GPP.29.212V9813-2014 | 9.13.0 | Approved | May 14 | https://www.atis.org/docstore/default.aspx |
| CCSA | CCSA-TSD-TDD-29.212 | 9.9.0 | Published | Jun 12 | http://www.ccsa.org.cn/english/tc/files.php?docpath=/ITU-R/M.1457/M.1457-12/TDD |
| ETSI | ETSI TS 129 212 | 9.13.0 | Published | Apr 13 | http://www.etsi.org/deliver/etsi_ts/129200_129299/129212/09.13.00_60/ |
| TTC | TS-3GA-29.212(Rel9)v9.13.0 | 9.13.0 | Approved | Jun 13 | http://www.ttc.or.jp/jp/document_list/free/3gpps2013/TS/TS-3GA-29.212(Rel9)v9.13.0.pdf |
| Release 10 | | | | | |
| ATIS | ATIS.3GPP.29.212V10100- | 10.10.0 | Approved | May 14 | https://www.atis.org/docstore/default.aspx |
| CCSA | CCSA-TSD-TDD-29.212 | 10.5.0 | Published | Jun 12 | http://www.ccsa.org.cn/english/tc/files.php?docpath=/ITU-R/M.1457/M.1457-12/TDD |
| ETSI | ETSI TS 129 212 | 10.10.0 | Published | Apr 13 | http://www.etsi.org/deliver/etsi_ts/129200_129299/129212/10.10.00_60/ |
| TTC | TS-3GA-29.212(Rel10)v10.10.0 | 10.10.0 | Approved | Jun 13 | http://www.ttc.or.jp/jp/document_list/free/3gpps2013/TS/TS-3GA-29.212(Rel10)v10.10.0.pdf |

Release 11

| | | | | | |
|------|-----------------------------|---------|-----------|--------|---|
| ATIS | ATIS.3GPP.29.212V11800- | 11.8.0 | Approved | May 14 | https://www.atis.org/docstore/default.aspx |
| CCSA | CCSA-TSD-TDD-29.212 | 11.13.0 | Published | Jun 14 | http://www.ccsa.org.cn/english/tc/files.php?docpath=/ITU-R/M.1457/M.1457-12/TDD |
| ETSI | ETSI TS 129 212 | 11.8.0 | Published | Apr 13 | http://www.etsi.org/deliver/etsi_ts/129200_129299/129212/11.08.00_60/ |
| TTC | TS-3GA-29.212(Rel11)v11.8.0 | 11.8.0 | Approved | Jun 13 | http://www.ttc.or.jp/jp/document_list/free/3gpps2013/TS/TS-3GA-29.212(Rel11)v11.8.0.pdf |

5.3.2.12.140 TS 29.213**Policy and charging control signalling flows and Quality of Service (QoS) parameter mapping**

This specification adds detailed flows of Policy and Charging Control (PCC) over the Rx, Gx, Gxx and S9 reference points and their relationship with the bearer level signalling flows over the Gn/Gp, S4, S5/S8, S2a and S2c interfaces. The call flows depicted represent usual cases, but not all situations are covered. The document also describes the binding and the mapping of QoS parameters among SDP, UMTS QoS parameters, and QoS authorization parameters, as well as PCRF addressing using DRA.

| SDO (2) | Document No. | Version | Status | Issued date | Location (1) |
|-------------------|-----------------------------|---------|-----------|-------------|---|
| Release 7 | | | | | |
| CCSA | CCSA-TSD-TDD-29.213 | 7.12.0 | Published | Jun 12 | http://www.ccsa.org.cn/english/tc/files.php?docpath=/ITU-R/M.1457/M.1457-12/TDD |
| ETSI | ETSI TS 129 213 | 7.12.0 | Published | Oct 11 | http://www.etsi.org/deliver/etsi_ts/129200_129299/129213/07.12.00_60/ |
| TTC | TS-3GA-29.213(Rel7)v7.12.0 | 7.12.0 | Approved | Dec 11 | http://www.ttc.or.jp/j/document_list/free/3gpps2011/TS/TS-3GA-29.213(Rel7)v7.12.0.pdf |
| Release 8 | | | | | |
| ATIS | ATIS.3GPP.29.213V8160-2014 | 8.16.0 | Approved | May 14 | https://www.atis.org/docstore/default.aspx |
| CCSA | CCSA-TSD-TDD-29.213 | 8.13.0 | Published | Jun 12 | http://www.ccsa.org.cn/english/tc/files.php?docpath=/ITU-R/M.1457/M.1457-12/TDD |
| ETSI | ETSI TS 129 213 | 8.16.0 | Published | Apr 13 | http://www.etsi.org/deliver/etsi_ts/129200_129299/129213/08.16.00_60/ |
| TTC | TS-3GA-29.213(Rel8)v8.16.0 | 8.16.0 | Approved | Jun 13 | http://www.ttc.or.jp/jp/document_list/free/3gpps2013/TS/TS-3GA-29.213(Rel8)v8.16.0.pdf |
| Release 9 | | | | | |
| ATIS | ATIS.3GPP.29.213V9110-2014 | 9.11.0 | Approved | May 14 | https://www.atis.org/docstore/default.aspx |
| CCSA | CCSA-TSD-TDD-29.213 | 9.8.0 | Published | Jun 12 | http://www.ccsa.org.cn/english/tc/files.php?docpath=/ITU-R/M.1457/M.1457-12/TDD |
| ETSI | ETSI TS 129 213 | 9.11.0 | Published | Apr 13 | http://www.etsi.org/deliver/etsi_ts/129200_129299/129213/09.11.00_60/ |
| TTC | TS-3GA-29.213(Rel9)v9.11.0 | 9.11.0 | Approved | Jun 13 | http://www.ttc.or.jp/jp/document_list/free/3gpps2013/TS/TS-3GA-29.213(Rel9)v9.11.0.pdf |
| Release 10 | | | | | |
| ATIS | ATIS.3GPP.29.213V1090-2014 | 10.9.0 | Approved | May 14 | https://www.atis.org/docstore/default.aspx |
| CCSA | CCSA-TSD-TDD-29.213 | 10.4.0 | Published | Jun 12 | http://www.ccsa.org.cn/english/tc/files.php?docpath=/ITU-R/M.1457/M.1457-12/TDD |
| ETSI | ETSI TS 129 213 | 10.9.0 | Published | Apr 13 | http://www.etsi.org/deliver/etsi_ts/129200_129299/129213/10.09.00_60/ |
| TTC | TS-3GA-29.213(Rel10)v10.9.0 | 10.9.0 | Approved | Jun 13 | http://www.ttc.or.jp/jp/document_list/free/3gpps2013/TS/TS-3GA-29.213(Rel10)v10.9.0.pdf |
| Release 11 | | | | | |
| ATIS | ATIS.3GPP.29.213V1160-2014 | 11.6.0 | Approved | May 14 | https://www.atis.org/docstore/default.aspx |
| CCSA | CCSA-TSD-TDD-29.213 | 11.10.0 | Published | Jun 14 | http://www.ccsa.org.cn/english/tc/files.php?docpath=/ITU-R/M.1457/M.1457-12/TDD |
| ETSI | ETSI TS 129 213 | 11.6.0 | Published | Apr 13 | http://www.etsi.org/deliver/etsi_ts/129200_129299/129213/11.06.00_60/ |
| TTC | TS-3GA-29.213(Rel11)v11.6.0 | 11.6.0 | Approved | Jun 13 | http://www.ttc.or.jp/jp/document_list/free/3gpps2013/TS/TS-3GA-29.213(Rel11)v11.6.0.pdf |

5.3.2.12.141 TS 29.214**Policy and charging control over Rx reference point**

This document provides the stage 3 specification of the Rx reference point. The functional requirements and the stage 2 specifications of the Rx reference point are contained in 3GPP TS 23.203. The Rx reference point lies between the Application Function and the Policy and Charging Rule Function. Whenever possible this document specifies the requirements for the protocol by reference to specifications produced by the IETF within the scope of Diameter. Where this is not possible, extensions to Diameter are defined within the document itself.

| SDO (2) | Document No. | Version | Status | Issued date | Location (1) |
|-------------------|-----------------------------|---------|-----------|-------------|---|
| Release 7 | | | | | |
| CCSA | CCSA-TSD-TDD-29.214 | 7.11.0 | Published | Jun 12 | http://www.ccsa.org.cn/english/tc/files.php?docpath=/ITU-R/M.1457/M.1457-12/TDD |
| ETSI | ETSI TS 129 214 | 7.12.0 | Published | Oct 12 | http://www.etsi.org/deliver/etsi_ts/129200_129299/129214/07.12.00_60/ |
| TTC | TS-3GA-29.214(Rel7)v7.12.0 | 7.12.0 | Approved | Dec 12 | http://www.ttc.or.jp/jp/document_list/free/3gpps2012/TS/TS-3GA-29.214(Rel7)v7.12.0.pdf |
| Release 8 | | | | | |
| ATIS | ATIS.3GPP.29.214V8150-2014 | 8.15.0 | Approved | May 14 | https://www.atis.org/docstore/default.aspx |
| CCSA | CCSA-TSD-TDD-29.214 | 8.12.0 | Published | Jun 12 | http://www.ccsa.org.cn/english/tc/files.php?docpath=/ITU-R/M.1457/M.1457-12/TDD |
| ETSI | ETSI TS 129 214 | 8.15.0 | Published | Apr 13 | http://www.etsi.org/deliver/etsi_ts/129200_129299/129214/08.15.00_60/ |
| TTC | TS-3GA-29.214(Rel8)v8.15.0 | 8.15.0 | Approved | Jun 13 | http://www.ttc.or.jp/jp/document_list/free/3gpps2013/TS/TS-3GA-29.214(Rel8)v8.15.0.pdf |
| Release 9 | | | | | |
| ATIS | ATIS.3GPP.29.214V9120-2014 | 9.12.0 | Approved | May 14 | https://www.atis.org/docstore/default.aspx |
| CCSA | CCSA-TSD-TDD-29.214 | 9.9.0 | Published | Jun 12 | http://www.ccsa.org.cn/english/tc/files.php?docpath=/ITU-R/M.1457/M.1457-12/TDD |
| ETSI | ETSI TS 129 214 | 9.12.0 | Published | Apr 13 | http://www.etsi.org/deliver/etsi_ts/129200_129299/129214/09.12.00_60/ |
| TTC | TS-3GA-29.214(Rel9)v9.12.0 | 9.12.0 | Approved | Jun 13 | http://www.ttc.or.jp/jp/document_list/free/3gpps2013/TS/TS-3GA-29.214(Rel9)v9.12.0.pdf |
| Release 10 | | | | | |
| ATIS | ATIS.3GPP.29.214V1090-2014 | 10.9.0 | Approved | May 14 | https://www.atis.org/docstore/default.aspx |
| CCSA | CCSA-TSD-TDD-29.214 | 10.5.0 | Published | Jun 12 | http://www.ccsa.org.cn/english/tc/files.php?docpath=/ITU-R/M.1457/M.1457-12/TDD |
| ETSI | ETSI TS 129 214 | 10.9.0 | Published | Apr 13 | http://www.etsi.org/deliver/etsi_ts/129200_129299/129214/10.09.00_60/ |
| TTC | TS-3GA-29.214(Rel10)v10.9.0 | 10.9.0 | Approved | Jun 13 | http://www.ttc.or.jp/jp/document_list/free/3gpps2013/TS/TS-3GA-29.214(Rel10)v10.9.0.pdf |
| Release 11 | | | | | |
| ATIS | ATIS.3GPP.29.214V1180-2014 | 11.8.0 | Approved | May 14 | https://www.atis.org/docstore/default.aspx |
| CCSA | CCSA-TSD-TDD-29.214 | 11.13.0 | Published | Jun 14 | http://www.ccsa.org.cn/english/tc/files.php?docpath=/ITU-R/M.1457/M.1457-12/TDD |
| ETSI | ETSI TS 129 214 | 11.8.0 | Published | Apr 13 | http://www.etsi.org/deliver/etsi_ts/129200_129299/129214/11.08.00_60/ |
| TTC | TS-3GA-29.214(Rel11)v11.8.0 | 11.8.0 | Approved | Jun 13 | http://www.ttc.or.jp/jp/document_list/free/3gpps2013/TS/TS-3GA-29.214(Rel11)v11.8.0.pdf |

5.3.2.12.142 TS 29.215**Policy and Charging Control (PCC) over S9 reference point; Stage 3**

This document provides the Stage 3 specification of the S9 reference point. The functional requirements of Stage 2 specification for the S9 reference point are contained in 3GPP TS 23.203. The S9 reference point lies between the PCRF in the home PLMN (also known as H-PCRF) and the PCRF in the visited PLMN (also known as V-PCRF). Whenever it is possible this document specifies the requirements for the protocols by reference to specifications produced by the IETF within the scope of Diameter. Where this is not possible extensions to Diameter are defined within this document.

| SDO (2) | Document No. | Version | Status | Issued date | Location (1) |
|-------------------|-----------------------------|---------|-----------|-------------|---|
| Release 8 | | | | | |
| CCSA | CCSA-TSD-TDD-29.215 | 8.12.0 | Published | Jun 12 | http://www.ccsa.org.cn/english/tc/files.php?docpath=/ITU-R/M.1457/M.1457-12/TDD |
| ETSI | ETSI TS 129 215 | 8.14.0 | Published | Jul 12 | http://www.etsi.org/deliver/etsi_ts/129200_129299/129215/08.14.00_60/ |
| TTC | TS-3GA-29.215(Rel8)v8.14.0 | 8.14.0 | Approved | Sep 12 | http://www.ttc.or.jp/jp/document_list/free/3gpps2012/TS/TS-3GA-29.215(Rel8)v8.13.0.pdf |
| Release 9 | | | | | |
| ATIS | ATIS.3GPP.29.215V9110-2014 | 9.11.0 | Approved | May 14 | https://www.atis.org/docstore/default.aspx |
| CCSA | CCSA-TSD-TDD-29.215 | 9.9.0 | Published | Jun 12 | http://www.ccsa.org.cn/english/tc/files.php?docpath=/ITU-R/M.1457/M.1457-12/TDD |
| ETSI | ETSI TS 129 215 | 9.11.0 | Published | Jul 12 | http://www.etsi.org/deliver/etsi_ts/129200_129299/129215/09.11.00_60/ |
| TTC | TS-3GA-29.215(Rel9)v9.11.0 | 9.11.0 | Approved | Sep 12 | http://www.ttc.or.jp/jp/document_list/free/3gpps2012/TS/TS-3GA-29.215(Rel9)v9.10.0.pdf |
| Release 10 | | | | | |
| ATIS | ATIS.3GPP.29.215V1060-2014 | 10.6.0 | Approved | May 14 | https://www.atis.org/docstore/default.aspx |
| CCSA | CCSA-TSD-TDD-29.215 | 10.4.0 | Published | Jun 12 | http://www.ccsa.org.cn/english/tc/files.php?docpath=/ITU-R/M.1457/M.1457-12/TDD |
| ETSI | ETSI TS 129 215 | 10.6.0 | Published | Jul 12 | http://www.etsi.org/deliver/etsi_ts/129200_129299/129215/10.06.00_60/ |
| TTC | TS-3GA-29.215(Rel10)v10.6.0 | 10.6.0 | Approved | Sep 12 | http://www.ttc.or.jp/jp/document_list/free/3gpps2012/TS/TS-3GA-29.215(Rel10)v10.5.0.pdf |
| Release 11 | | | | | |
| ATIS | ATIS.3GPP.29.215V1180-2014 | 11.8.0 | Approved | May 14 | https://www.atis.org/docstore/default.aspx |
| CCSA | CCSA-TSD-TDD-29.215 | 11.13.0 | Published | Jun 14 | http://www.ccsa.org.cn/english/tc/files.php?docpath=/ITU-R/M.1457/M.1457-12/TDD |
| ETSI | ETSI TS 129 215 | 11.8.0 | Published | Apr 13 | http://www.etsi.org/deliver/etsi_ts/129200_129299/129215/11.08.00_60/ |
| TTC | TS-3GA-29.215(Rel11)v11.8.0 | 11.8.0 | Approved | Jun 13 | http://www.ttc.or.jp/jp/document_list/free/3gpps2013/TS/TS-3GA-29.215(Rel11)v11.8.0.pdf |

5.3.2.12.143 TS 29.219

Policy and charging control: Spending limit reporting over Sy reference point

This document provides the protocol specification related to the Sy reference point. The Sy reference point lies between the Policy and Charging Rule Function (PCRF) and the Online Charging System (OCS). It enables transfer of policy counter status information relating to subscriber spending from OCS to PCRF.

| SDO (2) | Document No. | Version | Status | Issued date | Location (1) |
|-------------------|-----------------------------|---------|-----------|-------------|---|
| Release 11 | | | | | |
| ATIS | ATIS.3GPP.29.219V1140-2014 | 11.4.0 | Approved | May 14 | https://www.atis.org/docstore/default.aspx |
| CCSA | CCSA-TSD-TDD-29.219 | 11.6.0 | Published | Jun 14 | http://www.ccsa.org.cn/english/tc/files.php?docpath=/ITU-R/M.1457/M.1457-12/TDD |
| TTC | TS-3GA-29.219(Rel11)v11.4.0 | 11.4.0 | Approved | Jun 13 | http://www.ttc.or.jp/jp/document_list/free/3gpps2013/TS/TS-3GA-29.219(Rel11)v11.4.0.pdf |

5.3.2.12.144 TS 29.228

IP Multimedia (IM) Subsystem Cx and Dx Interfaces; Signalling flows and message contents

This 3GPP Technical Specification (TS) specifies the interactions between the HSS (Home Subscriber Server) and the CSCF (Call Session Control Functions), referred to as the Cx interface, and the interactions between the CSCF and the SLF (Server Locator Function), referred to as the Dx interface.

| SDO (2) | Document No. | Version | Status | Issued date | Location (1) |
|-------------------|-----------------------------|---------|-----------|-------------|---|
| Release 5 | | | | | |
| ATIS | ATIS.3GPP.29.228V5220-2012 | 5.22.0 | Approved | Jul 12 | https://www.atis.org/docstore/default.aspx |
| CCSA | CCSA-TSD-TDD-29.228 | 5.22.0 | Published | Jun 12 | http://www.ccsa.org.cn/english/tc/files.php?docpath=/ITU-R/M.1457/M.1457-12/TDD |
| ETSI | ETSI TS 129 228 | 5.22.0 | Published | Jan 11 | http://www.etsi.org/deliver/etsi_ts/129200_129299/129228/05.22.00_60/ |
| TTC | TS-3GA-29.228(Rel5)v5.22.0 | 5.22.0 | Approved | Apr 11 | http://www.ttc.or.jp/j/document_list/free/3gpps2011/TS/TS-3GA-29.228(Rel5)v5.22.0.pdf |
| Release 6 | | | | | |
| ATIS | ATIS.3GPP.29.228V6170-2012 | 6.17.0 | Approved | Jul 12 | https://www.atis.org/docstore/default.aspx |
| CCSA | CCSA-TSD-TDD-29.228 | 6.17.0 | Published | Jun 12 | http://www.ccsa.org.cn/english/tc/files.php?docpath=/ITU-R/M.1457/M.1457-12/TDD |
| ETSI | ETSI TS 129 228 | 6.17.0 | Published | Jan 11 | http://www.etsi.org/deliver/etsi_ts/129200_129299/129228/06.17.00_60/ |
| TTC | TS-3GA-29.228(Rel6)v6.17.0 | 6.17.0 | Approved | Apr 11 | http://www.ttc.or.jp/j/document_list/free/3gpps2011/TS/TS-3GA-29.228(Rel6)v6.17.0.pdf |
| Release 7 | | | | | |
| ATIS | ATIS.3GPP.29.228V7180-2014 | 7.18.0 | Approved | May 14 | https://www.atis.org/docstore/default.aspx |
| CCSA | CCSA-TSD-TDD-29.228 | 7.16.0 | Published | Jun 12 | http://www.ccsa.org.cn/english/tc/files.php?docpath=/ITU-R/M.1457/M.1457-12/TDD |
| ETSI | ETSI TS 129 228 | 7.18.0 | Published | Apr 13 | http://www.etsi.org/deliver/etsi_ts/129200_129299/129228/07.18.00_60/ |
| TTC | TS-3GA-29.228(Rel7)v7.18.0 | 7.18.0 | Approved | Jun 13 | http://www.ttc.or.jp/j/document_list/free/3gpps2013/TS/TS-3GA-29.228(Rel7)v7.18.0.pdf |
| Release 8 | | | | | |
| ATIS | ATIS.3GPP.29.228V8180-2014 | 8.18.0 | Approved | May 14 | https://www.atis.org/docstore/default.aspx |
| CCSA | CCSA-TSD-TDD-29.228 | 8.15.0 | Published | Jun 12 | http://www.ccsa.org.cn/english/tc/files.php?docpath=/ITU-R/M.1457/M.1457-12/TDD |
| ETSI | ETSI TS 129 228 | 8.18.0 | Published | Apr 13 | http://www.etsi.org/deliver/etsi_ts/129200_129299/129228/08.18.00_60/ |
| TTC | TS-3GA-29.228(Rel8)v8.18.0 | 8.18.0 | Approved | Jun 13 | http://www.ttc.or.jp/jp/document_list/free/3gpps2013/TS/TS-3GA-29.228(Rel8)v8.18.0.pdf |
| Release 9 | | | | | |
| ATIS | ATIS.3GPP.29.228V9110-2014 | 9.11.0 | Approved | May 14 | https://www.atis.org/docstore/default.aspx |
| CCSA | CCSA-TSD-TDD-29.228 | 9.8.0 | Published | Jun 12 | http://www.ccsa.org.cn/english/tc/files.php?docpath=/ITU-R/M.1457/M.1457-12/TDD |
| ETSI | ETSI TS 129 228 | 9.11.0 | Published | Apr 13 | http://www.etsi.org/deliver/etsi_ts/129200_129299/129228/09.11.00_60/ |
| TTC | TS-3GA-29.228(Rel9)v9.11.0 | 9.11.0 | Approved | Jun 13 | http://www.ttc.or.jp/jp/document_list/free/3gpps2013/TS/TS-3GA-29.228(Rel9)v9.11.0.pdf |
| Release 10 | | | | | |
| ATIS | ATIS.3GPP.29.228V1070-2014 | 10.7.0 | Approved | May 14 | https://www.atis.org/docstore/default.aspx |
| CCSA | CCSA-TSD-TDD-29.228 | 10.4.0 | Published | Jun 12 | http://www.ccsa.org.cn/english/tc/files.php?docpath=/ITU-R/M.1457/M.1457-12/TDD |
| ETSI | ETSI TS 129 228 | 10.7.0 | Published | Apr 13 | http://www.etsi.org/deliver/etsi_ts/129200_129299/129228/10.07.00_60/ |
| TTC | TS-3GA-29.228(Rel10)v10.7.0 | 10.7.0 | Approved | Jun 13 | http://www.ttc.or.jp/jp/document_list/free/3gpps2013/TS/TS-3GA-29.228(Rel10)v10.7.0.pdf |
| Release 11 | | | | | |
| ATIS | ATIS.3GPP.29.228V1170-2014 | 11.7.0 | Approved | May 14 | https://www.atis.org/docstore/default.aspx |
| CCSA | CCSA-TSD-TDD-29.228 | 11.10.0 | Published | Jun 14 | http://www.ccsa.org.cn/english/tc/files.php?docpath=/ITU-R/M.1457/M.1457-12/TDD |
| ETSI | ETSI TS 129 228 | 11.7.0 | Published | Apr 13 | http://www.etsi.org/deliver/etsi_ts/129200_129299/129228/11.07.00_60/ |
| TTC | TS-3GA-29.228(Rel11)v11.7.0 | 11.7.0 | Approved | Jun 13 | http://www.ttc.or.jp/jp/document_list/free/3gpps2013/TS/TS-3GA-29.228(Rel11)v11.7.0.pdf |

5.3.2.12.145 TS 29.229

Cx and Dx interfaces based on the Diameter protocol; Protocol details

This specification defines a transport protocol for use in the IP multimedia (IM) Core Network (CN) subsystem based on Diameter.

| SDO (2) | Document No. | Version | Status | Issued date | Location (1) |
|-------------------|-----------------------------|---------|-----------|-------------|---|
| Release 5 | | | | | |
| ATIS | ATIS.3GPP.29.229V5130-2007 | 5.13.0 | Approved | Oct 07 | https://www.atis.org/docstore/default.aspx |
| CCSA | CCSA-TSD-TDD-29.229 | 5.13.0 | Published | Oct 07 | http://www.ccsa.org.cn/english/tc/files.php?docpath=/ITU-R/M.1457/M.1457-12/TDD |
| ETSI | ETSI TS 129 229 | 5.13.0 | Published | Oct 07 | http://www.etsi.org/deliver/etsi_ts/129200_129299/129229/05.13.00_60/ |
| TTC | TS-3GA-29.229(Rel5)v5.13.0 | 5.13.0 | Approved | Mar 08 | http://www.ttc.or.jp/j/document_list/free/TS/TS-3GA-29.229(Rel5)v5.13.0.pdf |
| Release 6 | | | | | |
| ATIS | ATIS.3GPP.29.229V6110-2010 | 6.11.0 | Approved | Jul 10 | https://www.atis.org/docstore/default.aspx |
| CCSA | CCSA-TSD-TDD-29.229 | 6.11.0 | Published | Mar 10 | http://www.ccsa.org.cn/english/tc/files.php?docpath=/ITU-R/M.1457/M.1457-12/TDD |
| ETSI | ETSI TS 129 229 | 6.11.0 | Published | Oct 09 | http://www.etsi.org/deliver/etsi_ts/129200_129299/129229/06.11.00_60/ |
| TTC | TS-3GA-29.229(Rel6)v6.11.0 | 6.11.0 | Approved | Dec 09 | http://www.ttc.or.jp/j/document_list/free/3gpps2009/TS/TS-3GA-29.229(Rel6)v6.11.0.pdf |
| Release 7 | | | | | |
| ATIS | ATIS.3GPP.29.229V7120-2014 | 7.12.0 | Approved | May 14 | https://www.atis.org/docstore/default.aspx |
| CCSA | CCSA-TSD-TDD-29.229 | 7.11.0 | Published | Jun 12 | http://www.ccsa.org.cn/english/tc/files.php?docpath=/ITU-R/M.1457/M.1457-12/TDD |
| ETSI | ETSI TS 129 229 | 7.12.0 | Published | Apr 13 | http://www.etsi.org/deliver/etsi_ts/129200_129299/129229/07.12.00_60/ |
| TTC | TS-3GA-29.229(Rel7)v7.12.0 | 7.12.0 | Approved | Jun 13 | http://www.ttc.or.jp/j/document_list/free/3gpps2013/TS/TS-3GA-29.229(Rel7)v7.12.0.pdf |
| Release 8 | | | | | |
| ATIS | ATIS.3GPP.29.229V8150-2014 | 8.15.0 | Approved | May 14 | https://www.atis.org/docstore/default.aspx |
| CCSA | CCSA-TSD-TDD-29.229 | 8.13.0 | Published | Jun 12 | http://www.ccsa.org.cn/english/tc/files.php?docpath=/ITU-R/M.1457/M.1457-12/TDD |
| ETSI | ETSI TS 129 229 | 8.15.0 | Published | Apr 13 | http://www.etsi.org/deliver/etsi_ts/129200_129299/129229/08.15.00_60/ |
| TTC | TS-3GA-29.229(Rel8)v8.15.0 | 8.15.0 | Approved | Jun 13 | http://www.ttc.or.jp/j/document_list/free/3gpps2013/TS/TS-3GA-29.229(Rel8)v8.15.0.pdf |
| Release 9 | | | | | |
| ATIS | ATIS.3GPP.29.229V970-2014 | 9.7.0 | Approved | May 14 | https://www.atis.org/docstore/default.aspx |
| CCSA | CCSA-TSD-TDD-29.229 | 9.5.0 | Published | Jun 12 | http://www.ccsa.org.cn/english/tc/files.php?docpath=/ITU-R/M.1457/M.1457-12/TDD |
| ETSI | ETSI TS 129 229 | 9.7.0 | Published | Apr 13 | http://www.etsi.org/deliver/etsi_ts/129200_129299/129229/09.07.00_60/ |
| TTC | TS-3GA-29.229(Rel9)v9.7.0 | 9.7.0 | Approved | Jun 13 | http://www.ttc.or.jp/j/document_list/free/3gpps2013/TS/TS-3GA-29.229(Rel9)v9.7.0.pdf |
| Release 10 | | | | | |
| ATIS | ATIS.3GPP.29.229V1050-2014 | 10.5.0 | Approved | May 14 | https://www.atis.org/docstore/default.aspx |
| CCSA | CCSA-TSD-TDD-29.229 | 10.3.0 | Published | Jun 12 | http://www.ccsa.org.cn/english/tc/files.php?docpath=/ITU-R/M.1457/M.1457-12/TDD |
| ETSI | ETSI TS 129 229 | 10.5.0 | Published | Apr 13 | http://www.etsi.org/deliver/etsi_ts/129200_129299/129229/10.05.00_60/ |
| TTC | TS-3GA-29.229(Rel10)v10.5.0 | 10.5.0 | Approved | Jun 13 | http://www.ttc.or.jp/j/document_list/free/3gpps2013/TS/TS-3GA-29.229(Rel10)v10.5.0.pdf |
| Release 11 | | | | | |
| ATIS | ATIS.3GPP.29.229V1130-2014 | 11.3.0 | Approved | May 14 | https://www.atis.org/docstore/default.aspx |
| CCSA | CCSA-TSD-TDD-29.229 | 11.4.0 | Published | Jun 14 | http://www.ccsa.org.cn/english/tc/files.php?docpath=/ITU-R/M.1457/M.1457-12/TDD |
| ETSI | ETSI TS 129 229 | 11.3.0 | Published | Apr 13 | http://www.etsi.org/deliver/etsi_ts/129200_129299/129229/11.03.00_60/ |
| TTC | TS-3GA-29.229(Rel11)v11.3.0 | 11.3.0 | Approved | Jun 13 | http://www.ttc.or.jp/j/document_list/free/3gpps2013/TS/TS-3GA-29.229(Rel11)v11.3.0.pdf |

5.3.2.12.146 TS 29.230**Diameter applications; 3GPP specific codes and identifiers**

This document lists the 3GPP specific Diameter protocol codes, including the AVP codes and Experimental result codes. This document lists also the application identifiers assigned to 3GPP specific Diameter applications by IANA and the Diameter command code range which is assigned to 3GPP by IANA.

| SDO (2) | Document No. | Version | Status | Issued date | Location (1) |
|-------------------|-----------------------------|---------|-----------|-------------|---|
| Release 6 | | | | | |
| CCSA | CCSA-TSD-TDD-29.230 | 6.11.0 | Published | Jun 14 | http://www.ccsa.org.cn/english/tc/files.php?docpath=/ITU-R/M.1457/M.1457-12/TDD |
| TTC | TS-3GA-29.230(Rel6)v6.11.0 | 6.11.0 | Approved | Dec 11 | http://www.ttc.or.jp/j/document_list/free/3gpps2011/TS/TS-3GA-29.230(Rel6)v6.11.0.pdf |
| Release 7 | | | | | |
| CCSA | CCSA-TSD-TDD-29.230 | 7.16.0 | Published | Jun 14 | http://www.ccsa.org.cn/english/tc/files.php?docpath=/ITU-R/M.1457/M.1457-12/TDD |
| TTC | TS-3GA-29.230(Rel7)v7.16.0 | 7.16.0 | Approved | Dec 11 | http://www.ttc.or.jp/j/document_list/free/3gpps2011/TS/TS-3GA-29.230(Rel7)v7.16.0.pdf |
| Release 8 | | | | | |
| CCSA | CCSA-TSD-TDD-29.230 | 8.18.0 | Published | Jun 14 | http://www.ccsa.org.cn/english/tc/files.php?docpath=/ITU-R/M.1457/M.1457-12/TDD |
| TTC | TS-3GA-29.230(Rel8)v8.15.0 | 8.15.0 | Approved | Jun 13 | http://www.ttc.or.jp/jp/document_list/free/3gpps2013/TS/TS-3GA-29.230(Rel8)v8.15.0.pdf |
| Release 9 | | | | | |
| CCSA | CCSA-TSD-TDD-29.230 | 9.16.0 | Published | Jun 14 | http://www.ccsa.org.cn/english/tc/files.php?docpath=/ITU-R/M.1457/M.1457-12/TDD |
| TTC | TS-3GA-29.230(Rel9)v9.13.0 | 9.13.0 | Approved | Jun 13 | http://www.ttc.or.jp/jp/document_list/free/3gpps2013/TS/TS-3GA-29.230(Rel9)v9.13.0.pdf |
| Release 10 | | | | | |
| CCSA | CCSA-TSD-TDD-29.230 | 10.12.0 | Published | Jun 14 | http://www.ccsa.org.cn/english/tc/files.php?docpath=/ITU-R/M.1457/M.1457-12/TDD |
| TTC | TS-3GA-29.230(Rel10)v10.9.0 | 10.9.0 | Approved | Jun 13 | http://www.ttc.or.jp/jp/document_list/free/3gpps2013/TS/TS-3GA-29.230(Rel10)v10.9.0.pdf |
| Release 11 | | | | | |
| ATIS | ATIS.3GPP.29.230V1160-2014 | 11.6.0 | Approved | May 14 | https://www.atis.org/docstore/default.aspx |
| CCSA | CCSA-TSD-TDD-29.230 | 11.11.0 | Published | Jun 14 | http://www.ccsa.org.cn/english/tc/files.php?docpath=/ITU-R/M.1457/M.1457-12/TDD |
| TTC | TS-3GA-29.230(Rel11)v11.6.0 | 11.6.0 | Approved | Jun 13 | http://www.ttc.or.jp/jp/document_list/free/3gpps2013/TS/TS-3GA-29.230(Rel11)v11.6.0.pdf |

5.3.2.12.147 TS 29.231**Application of SIP-I Protocols to Circuit Switched (CS) core network architecture; Stage 3**

This specification describes the protocols to be used when SIP-I is optionally used as call control protocol in a 3GPP CS core network on Nc interface. The SIP-I protocol operates between (G)MSC servers. The SIP-I architecture consists of a number of protocols. The following types of protocols are described: call control protocol, resource control protocols and user plane protocol for this architecture.

| SDO (2) | Document No. | Version | Status | Issued date | Location (1) |
|------------------|---------------------------|---------|-----------|-------------|---|
| Release 8 | | | | | |
| CCSA | CCSA-TSD-TDD-29.231 | 8.4.0 | Published | Jun 14 | http://www.ccsa.org.cn/english/tc/files.php?docpath=/ITU-R/M.1457/M.1457-12/TDD |
| TTC | TS-3GA-29.231(Rel8)v8.4.0 | 8.4.0 | Approved | Jul 10 | http://www.ttc.or.jp/j/document_list/free/3gpps2010/TS/TS-3GA-29.231(Rel8)v8.4.0.pdf |
| Release 9 | | | | | |

| | | | | | |
|-------------------|-----------------------------|--------|-----------|--------|---|
| CCSA | CCSA-TSD-TDD-29.231 | 9.1.0 | Published | Jun 14 | http://www.ccsa.org.cn/english/tc/files.php?docpath=/ITU-R/M.1457/M.1457-12/TDD |
| TTC | TS-3GA-29.231(Rel9)v9.1.0 | 9.1.0 | Approved | Jul 10 | http://www.ttc.or.jp/j/document_list/free/3gpps2010/TS/TS-3GA-29.231(Rel9)v9.1.0.pdf |
| Release 10 | | | | | |
| CCSA | CCSA-TSD-TDD-29.231 | 10.0.0 | Published | Jun 14 | http://www.ccsa.org.cn/english/tc/files.php?docpath=/ITU-R/M.1457/M.1457-12/TDD |
| TTC | TS-3GA-29.231(Rel10)v10.0.0 | 10.0.0 | Approved | Jun 11 | http://www.ttc.or.jp/j/document_list/free/3gpps2011/TS/TS-3GA-29.231(Rel10)v10.0.0.pdf |
| Release 11 | | | | | |
| ATIS | ATIS.3GPP.29.231V1100-2014 | 11.0.0 | Approved | May 14 | https://www.atis.org/docstore/default.aspx |
| CCSA | CCSA-TSD-TDD-29.231 | 11.0.0 | Published | Jun 14 | http://www.ccsa.org.cn/english/tc/files.php?docpath=/ITU-R/M.1457/M.1457-12/TDD |
| TTC | TS-3GA-29.231(Rel11)v11.0.0 | 11.0.0 | Approved | Jun 13 | http://www.ttc.or.jp/j/document_list/free/3gpps2013/TS/TS-3GA-29.231(Rel11)v11.0.0.pdf |

5.3.2.12.148 TS 29.232

Media Gateway Controller (MGC) – Media Gateway (MGW) interface; Stage 3

This document describes the protocol to be used on the Media Gateway Controller (MGC) – Media Gateway (MGW) interface. The Media Gateway Controllers covered in this specification are the MSC server and the GMSC server. The basis for this interface profile is the H.248.1 protocol. The usage of this protocol is described in 3GPP TS 23.205 and 3GPP TS 29.205 for BICC circuit switched core network, in 3GPP TS 23.231 and 3GPP TS 29.231 for SIP-I circuit switched core network.

This profile includes the support for the enhanced MSC server to provide access to IMS Centralised services as described in 3GPP TS 23.292 and thus the procedures related to this interface are described in 3GPP TS 29.292. As a result the interworking with SIP and the associated MGW control procedures described in 3GPP TS 29.163 for the interworking between BICC/ISUP circuit switched core network and IP Multimedia core network are incorporated. This specification describes the changes to H.248 which are needed to handle 3GPP specific traffic cases. This is done by using the H.248 standard extension mechanism. In addition certain aspects of the base protocol H.248 are not needed for this interface and thus excluded by this profile.

| SDO (2) | Document No. | Version | Status | Issued date | Location (1) |
|------------------|----------------------------|---------|-----------|-------------|---|
| Release 4 | | | | | |
| CCSA | CCSA-TSD-TDD-29.232 | 4.17.0 | Published | Jun 12 | http://www.ccsa.org.cn/english/tc/files.php?docpath=/ITU-R/M.1457/M.1457-12/TDD |
| ETSI | ETSI TS 129 232 | 4.17.0 | Published | Jul 07 | http://www.etsi.org/deliver/etsi_ts/129200_129299/129232/04.17.00_60/ |
| TTC | TS-3GA-29.232(Rel4)v4.17.0 | 4.17.0 | Approved | Mar 08 | http://www.ttc.or.jp/j/document_list/free/TS/TS-3GA-29.232(Rel4)v4.17.0.pdf |
| Release 5 | | | | | |
| CCSA | CCSA-TSD-TDD-29.232 | 5.22.0 | Published | Jun 12 | http://www.ccsa.org.cn/english/tc/files.php?docpath=/ITU-R/M.1457/M.1457-12/TDD |
| ETSI | ETSI TS 129 232 | 5.22.0 | Published | Jun 08 | http://www.etsi.org/deliver/etsi_ts/129200_129299/129232/05.22.00_60/ |
| TTC | TS-3GA-29.232(Rel5)v5.22.0 | 5.22.0 | Approved | Feb 09 | http://www.ttc.or.jp/j/document_list/free/3gpps2009/TS/TS-3GA-29.232(Rel5)v5.22.0.pdf |
| Release 6 | | | | | |
| CCSA | CCSA-TSD-TDD-29.232 | 6.14.0 | Published | Jun 12 | http://www.ccsa.org.cn/english/tc/files.php?docpath=/ITU-R/M.1457/M.1457-12/TDD |
| ETSI | ETSI TS 129 232 | 6.14.0 | Published | Oct 08 | http://www.etsi.org/deliver/etsi_ts/129200_129299/129232/06.14.00_60/ |
| TTC | TS-3GA-29.232(Rel6)v6.14.0 | 6.14.0 | Approved | Feb 09 | http://www.ttc.or.jp/j/document_list/free/3gpps2009/TS/TS-3GA-29.232(Rel6)v6.14.0.pdf |
| Release 7 | | | | | |
| CCSA | CCSA-TSD-TDD-29.232 | 7.11.0 | Published | Jun 12 | http://www.ccsa.org.cn/english/tc/files.php?docpath=/ITU-R/M.1457/M.1457-12/TDD |
| ETSI | ETSI TS 129 232 | 7.11.0 | Published | Oct 08 | http://www.etsi.org/deliver/etsi_ts/129200_129299/129232/07.11.00_60/ |
| TTC | TS-3GA-29.232(Rel7)v7.11.0 | 7.11.0 | Approved | Feb 09 | http://www.ttc.or.jp/j/document_list/free/3gpps2009/TS/TS-3GA-29.232(Rel7)v7.11.0.pdf |

Release 8

| | | | | | |
|------|---------------------------|-------|-----------|--------|---|
| CCSA | CCSA-TSD-TDD-29.232 | 8.9.1 | Published | Jun 12 | http://www.ccsa.org.cn/english/tc/files.php?docpath=/ITU-R/M.1457/M.1457-12/TDD |
| ETSI | ETSI TS 129 232 | 8.9.1 | Published | May 10 | http://www.etsi.org/deliver/etsi_ts/129200_129299/129232/08.09.01_60/ |
| TTC | TS-3GA-29.232(Rel8)v8.9.0 | 8.9.0 | Approved | Apr 10 | http://www.ttc.or.jp/j/document_list/free/3gpps2010/TS/TS-3GA-29.232(Rel8)v8.9.0.pdf |

Release 9

| | | | | | |
|------|---------------------------|-------|-----------|--------|---|
| ATIS | ATIS.3GPP.29.232V920-2012 | 9.2.0 | Approved | Jul 12 | https://www.atis.org/docstore/default.aspx |
| CCSA | CCSA-TSD-TDD-29.232 | 9.2.0 | Published | Jun 12 | http://www.ccsa.org.cn/english/tc/files.php?docpath=/ITU-R/M.1457/M.1457-12/TDD |
| ETSI | ETSI TS 129 232 | 9.2.0 | Published | Oct 11 | http://www.etsi.org/deliver/etsi_ts/129200_129299/129232/09.02.00_60/ |
| TTC | TS-3GA-29.232(Rel9)v9.2.0 | 9.2.0 | Approved | Dec 11 | http://www.ttc.or.jp/j/document_list/free/3gpps2011/TS/TS-3GA-29.232(Rel9)v9.2.0.pdf |

Release 10

| | | | | | |
|------|-----------------------------|--------|-----------|--------|---|
| ATIS | ATIS.3GPP.29.232V1050-2014 | 10.5.0 | Approved | May 14 | https://www.atis.org/docstore/default.aspx |
| CCSA | CCSA-TSD-TDD-29.232 | 10.3.0 | Published | Jun 12 | http://www.ccsa.org.cn/english/tc/files.php?docpath=/ITU-R/M.1457/M.1457-12/TDD |
| ETSI | ETSI TS 129 232 | 10.5.0 | Published | Jan 13 | http://www.etsi.org/deliver/etsi_ts/129200_129299/129232/10.05.00_60/ |
| TTC | TS-3GA-29.232(Rel10)v10.5.0 | 10.5.0 | Approved | Jun 13 | http://www.ttc.or.jp/jp/document_list/free/3gpps2013/TS/TS-3GA-29.232(Rel10)v10.5.0.pdf |

Release 11

| | | | | | |
|------|-----------------------------|--------|-----------|--------|---|
| ATIS | ATIS.3GPP.29.232V1110-2014 | 11.1.0 | Approved | May 14 | https://www.atis.org/docstore/default.aspx |
| CCSA | CCSA-TSD-TDD-29.232 | 11.2.0 | Published | Jun 14 | http://www.ccsa.org.cn/english/tc/files.php?docpath=/ITU-R/M.1457/M.1457-12/TDD |
| ETSI | ETSI TS 129 232 | 11.1.0 | Published | Jan 13 | http://www.etsi.org/deliver/etsi_ts/129200_129299/129232/11.01.00_60/ |
| TTC | TS-3GA-29.232(Rel11)v11.1.0 | 11.1.0 | Approved | Jun 13 | http://www.ttc.or.jp/jp/document_list/free/3gpps2013/TS/TS-3GA-29.232(Rel11)v11.1.0.pdf |

5.3.2.12.149 TS 29.234**3GPP system to Wireless Local Area Network (WLAN) interworking; Stage 3**

This document defines the stage-3 protocol description for several reference points in the WLAN-3GPP Interworking System.

The document is applicable to:

- the Dw reference point between the 3GPP AAA Server and an SLF;
- the Wa reference point between the WLAN AN and the 3GPP AAA Proxy;
- the Wd reference point between the 3GPP AAA Proxy and 3GPP AAA Server;
- the Wx reference point between the 3GPP AAA Server and the HSS;
- the Wm reference point between the 3GPP AAA Server and the PDG;
- the Wg reference point between the 3GPP AAA Server/Proxy and the WAG;
- the Pr reference point between the 3GPP AAA Server and the PNA.

| SDO (2) | Document No. | Version | Status | Issued date | Location (1) |
|---------|--------------|---------|--------|-------------|--------------|
|---------|--------------|---------|--------|-------------|--------------|

Release 6

| | | | | | |
|------|---------------------|--------|-----------|--------|---|
| CCSA | CCSA-TSD-TDD-29.234 | 6.18.0 | Published | Jun 14 | http://www.ccsa.org.cn/english/tc/files.php?docpath=/ITU-R/M.1457/M.1457-12/TDD |
|------|---------------------|--------|-----------|--------|---|

Release 7

| | | | | | |
|------|---------------------|--------|-----------|--------|---|
| CCSA | CCSA-TSD-TDD-29.234 | 7.15.0 | Published | Jun 14 | http://www.ccsa.org.cn/english/tc/files.php?docpath=/ITU-R/M.1457/M.1457-12/TDD |
|------|---------------------|--------|-----------|--------|---|

Release 8

| | | | | | |
|------|---------------------|-------|-----------|--------|---|
| CCSA | CCSA-TSD-TDD-29.234 | 8.6.0 | Published | Jun 14 | http://www.ccsa.org.cn/english/tc/files.php?docpath=/ITU-R/M.1457/M.1457-12/TDD |
|------|---------------------|-------|-----------|--------|---|

Release 9

| | | | | | |
|------|---------------------|-------|-----------|--------|---|
| CCSA | CCSA-TSD-TDD-29.234 | 9.4.1 | Published | Jun 14 | http://www.ccsa.org.cn/english/tc/files.php?docpath=/ITU-R/M.1457/M.1457-12/TDD |
|------|---------------------|-------|-----------|--------|---|

Release 10

| | | | | | |
|------|---------------------|--------|-----------|--------|---|
| CCSA | CCSA-TSD-TDD-29.234 | 10.4.0 | Published | Jun 14 | http://www.ccsa.org.cn/english/tc/files.php?docpath=/ITU-R/M.1457/M.1457-12/TDD |
|------|---------------------|--------|-----------|--------|---|

Release 11

| | | | | | |
|------|----------------------------|--------|-----------|--------|---|
| ATIS | ATIS.3GPP.29.234V1110-2014 | 11.1.0 | Approved | May 14 | https://www.atis.org/docstore/default.aspx |
| CCSA | CCSA-TSD-TDD-29.234 | 11.2.0 | Published | Jun 14 | http://www.ccsa.org.cn/english/tc/files.php?docpath=/ITU-R/M.1457/M.1457-12/TDD |

5.3.2.12.150 TS 29.235**Interworking between SIP-I based circuit-switched core network and other networks**

This specification defines the interworking between SIP-I based circuit-switched core network with out-of-band transcoder control related procedures and:

– an external SIP-I based signalling network – an ISUP based network such as an ISUP based 3GPP CS Domain or an PSTN – an BICC based network such as an BICC based 3GPP CS Domain – an Internet Multimedia Subsystem.

| SDO (2) | Document No. | Version | Status | Issued date | Location (1) |
|-------------------|-----------------------------|---------|-----------|-------------|---|
| Release 8 | | | | | |
| ATIS | ATIS.3GPP.29.235V860-2014 | 8.6.0 | Approved | May 14 | https://www.atis.org/docstore/default.aspx |
| CCSA | CCSA-TSD-TDD-29.235 | 8.5.0 | Published | Mar 10 | http://www.ccsa.org.cn/english/tc/files.php?docpath=/ITU-R/M.1457/M.1457-12/TDD |
| ETSI | ETSI TS 129 235 | 8.6.0 | Published | Jul 12 | http://www.etsi.org/deliver/etsi_ts/129200_129299/129235/08.06.00_60/ |
| TTC | TS-3GA-29.235(Rel8)v8.6.0 | 8.6.0 | Approved | Sep 12 | http://www.ttc.or.jp/j/document_list/free/3gpps2010/TS/TS-3GA-29.235(Rel8)v8.5.0.pdf |
| Release 9 | | | | | |
| ATIS | ATIS.3GPP.29.235V980-2014 | 9.8.0 | Approved | May 14 | https://www.atis.org/docstore/default.aspx |
| CCSA | CCSA-TSD-TDD-29.235 | 9.7.0 | Published | Jun 12 | http://www.ccsa.org.cn/english/tc/files.php?docpath=/ITU-R/M.1457/M.1457-12/TDD |
| ETSI | ETSI TS 129 235 | 9.8.0 | Published | Jul 12 | http://www.etsi.org/deliver/etsi_ts/129200_129299/129235/09.08.00_60/ |
| TTC | TS-3GA-29.235(Rel9)v9.8.0 | 9.8.0 | Approved | Sep 12 | http://www.ttc.or.jp/j/document_list/free/3gpps2011/TS/TS-3GA-29.235(Rel9)v9.7.0.pdf |
| Release 10 | | | | | |
| ATIS | ATIS.3GPP.29.235V1010-2014 | 10.1.0 | Approved | May 14 | https://www.atis.org/docstore/default.aspx |
| CCSA | CCSA-TSD-TDD-29.235 | 10.0.0 | Published | Jun 12 | http://www.ccsa.org.cn/english/tc/files.php?docpath=/ITU-R/M.1457/M.1457-12/TDD |
| ETSI | ETSI TS 129 235 | 10.1.0 | Published | Jul 12 | http://www.etsi.org/deliver/etsi_ts/129200_129299/129235/10.01.00_60/ |
| TTC | TS-3GA-29.235(Rel10)v10.1.0 | 10.1.0 | Approved | Sep 12 | http://www.ttc.or.jp/j/document_list/free/3gpps2011/TS/TS-3GA-29.235(Rel10)v10.0.0.pdf |
| Release 11 | | | | | |
| ATIS | ATIS.3GPP.29.235V1110-2014 | 11.1.0 | Approved | May 14 | https://www.atis.org/docstore/default.aspx |
| CCSA | CCSA-TSD-TDD-29.235 | 11.3.0 | Published | Jun 14 | http://www.ccsa.org.cn/english/tc/files.php?docpath=/ITU-R/M.1457/M.1457-12/TDD |
| ETSI | ETSI TS 129 235 | 11.1.0 | Published | Jan 13 | http://www.etsi.org/deliver/etsi_ts/129200_129299/129235/11.01.00_60/ |
| TTC | TS-3GA-29.235(Rel11)v11.1.0 | 11.1.0 | Approved | Jun 13 | http://www.ttc.or.jp/j/document_list/free/3gpps2013/TS/TS-3GA-29.235(Rel11)v11.1.0.pdf |

5.3.2.12.151 TS 29.238**Interconnection Border Control Functions (IBCF) – Transition Gateway (TrGW) interface, Ix interface; Stage 3**

This document describes the protocol to be used on the Interconnection Border Control Function (IBCF) – Transition Gateway (TrGW) interface and the CS-IBCF – CS-TrGW interface. The basis for this protocol is the H.248 protocol. The Profile provides MG control function for IMS and CS Border Control. The IMS architecture is described in 3GPP TS 23.228. The underlying reference model and stage 2 information is described in 3GPP TS 23.228 and in 3GPP TS 29.162. The CS architecture is described in 3GPP TS 29.235.

This specification describes the application of H.248 Ix profile for both Ix and CS-Ix interfaces. Required extensions use the H.248 standard extension mechanism. In addition certain aspects of the base protocol H.248 are not needed for this interface and thus excluded by this profile.

| SDO (2) | Document No. | Version | Status | Issued date | Location (1) |
|-------------------|-----------------------------|---------|-----------|-------------|---|
| Release 9 | | | | | |
| ATIS | ATIS.3GPP.29.238V930-2012 | 9.3.0 | Approved | Jul 12 | https://www.atis.org/docstore/default.aspx |
| CCSA | CCSA-TSD-TDD-29.238 | 9.3.0 | Published | Jun 12 | http://www.ccsa.org.cn/english/tc/files.php?docpath=/ITU-R/M.1457/M.1457-12/TDD |
| ETSI | ETSI TS 129 238 | 9.3.0 | Published | Oct 10 | http://www.etsi.org/deliver/etsi_ts/129200_129299/129238/09.03.00_60/ |
| TTC | TS-3GA-29.238(Rel9)v9.3.0 | 9.3.0 | Approved | Dec 10 | http://www.ttc.or.jp/jp/document_list/free/3gpps2010/TS/TS-3GA-29.238(Rel9)v9.3.0.pdf |
| Release 10 | | | | | |
| ATIS | ATIS.3GPP.29.238V1050-2014 | 10.5.0 | Approved | May 14 | https://www.atis.org/docstore/default.aspx |
| CCSA | CCSA-TSD-TDD-29.238 | 10.3.0 | Published | Jun 12 | http://www.ccsa.org.cn/english/tc/files.php?docpath=/ITU-R/M.1457/M.1457-12/TDD |
| ETSI | ETSI TS 129 238 | 10.5.0 | Published | Jan 13 | http://www.etsi.org/deliver/etsi_ts/129200_129299/129238/10.05.00_60/ |
| TTC | TS-3GA-29.238(Rel10)v10.5.0 | 10.5.0 | Approved | Jun 13 | http://www.ttc.or.jp/jp/document_list/free/3gpps2013/TS/TS-3GA-29.238(Rel10)v10.5.0.pdf |
| Release 11 | | | | | |
| ATIS | ATIS.3GPP.29.238V1110-2014 | 11.1.0 | Approved | May 14 | https://www.atis.org/docstore/default.aspx |
| CCSA | CCSA-TSD-TDD-29.238 | 11.2.0 | Published | Jun 14 | http://www.ccsa.org.cn/english/tc/files.php?docpath=/ITU-R/M.1457/M.1457-12/TDD |
| ETSI | ETSI TS 129 238 | 11.1.0 | Published | Jan 13 | http://www.etsi.org/deliver/etsi_ts/129200_129299/129238/11.01.00_60/ |
| TTC | TS-3GA-29.238(Rel11)v11.1.0 | 11.1.0 | Approved | Jun 13 | http://www.ttc.or.jp/jp/document_list/free/3gpps2013/TS/TS-3GA-29.238(Rel11)v11.1.0.pdf |

5.3.2.12.152 TS 29.272

Evolved Packet System (EPS); Mobility Management Entity (MME) and Serving GPRS Support Node (SGSN) related interfaces based on Diameter protocol

This document describes the Mobility Management Entity (MME) and Serving GPRS Support Node (SGSN) related diameter-based interfaces towards the Home Subscriber Server (HSS), and the MME and the SGSN related diameter-based interface towards the Equipment Identity Register (EIR). This specification defines the Diameter application for the MME-HSS, S6a reference point, and for the SGSN-HSS, S6d reference point. The interactions between the HSS and the MME/SGSN are specified, including the signalling flows. This specification defines the Diameter application for the MME-EIR, S13 reference point, and for the SGSN-EIR, S13' reference point. The interactions between the MME/SGSN and the EIR are specified, including the signalling flows.

| SDO (2) | Document No. | Version | Status | Issued date | Location (1) |
|-------------------|----------------------------|---------|-----------|-------------|---|
| Release 8 | | | | | |
| CCSA | CCSA-TSD-TDD-29.272 | 8.11.0 | Published | Jun 12 | http://www.ccsa.org.cn/english/tc/files.php?docpath=/ITU-R/M.1457/M.1457-12/TDD |
| ETSI | ETSI TS 129 272 | 8.12.0 | Published | Jan 13 | http://www.etsi.org/deliver/etsi_ts/129200_129299/129272/08.12.00_60/ |
| TTC | TS-3GA-29.272(Rel8)v8.12.0 | 8.12.0 | Approved | Jun 13 | http://www.ttc.or.jp/jp/document_list/free/3gpps2013/TS/TS-3GA-29.272(Rel8)v8.12.0.pdf |
| Release 9 | | | | | |
| ATIS | ATIS.3GPP.29.272V9110-2014 | 9.11.0 | Approved | May 14 | https://www.atis.org/docstore/default.aspx |
| CCSA | CCSA-TSD-TDD-29.272 | 9.9.0 | Published | Jun 12 | http://www.ccsa.org.cn/english/tc/files.php?docpath=/ITU-R/M.1457/M.1457-12/TDD |
| ETSI | ETSI TS 129 272 | 9.11.0 | Published | Jan 13 | http://www.etsi.org/deliver/etsi_ts/129200_129299/129272/09.11.00_60/ |
| TTC | TS-3GA-29.272(Rel9)v9.11.0 | 9.11.0 | Approved | Jun 13 | http://www.ttc.or.jp/jp/document_list/free/3gpps2013/TS/TS-3GA-29.272(Rel9)v9.11.0.pdf |
| Release 10 | | | | | |
| ATIS | ATIS.3GPP.29.272V1070-2014 | 10.7.0 | Approved | May 14 | https://www.atis.org/docstore/default.aspx |

| | | | | | |
|-------------------|-----------------------------|---------|-----------|--------|---|
| CCSA | CCSA-TSD-TDD-29.272 | 10.5.0 | Published | Jun 12 | http://www.ccsa.org.cn/english/tc/files.php?docpath=/ITU-R/M.1457/M.1457-12/TDD |
| ETSI | ETSI TS 129 272 | 10.7.0 | Published | Jan 13 | http://www.etsi.org/deliver/etsi_ts/129200_129299/129272/10.07.00_60/ |
| TTC | TS-3GA-29.272(Rel10)v10.7.0 | 10.7.0 | Approved | Jun 13 | http://www.ttc.or.jp/jp/document_list/free/3gpps2013/TS/TS-3GA-29.272(Rel10)v10.7.0.pdf |
| Release 11 | | | | | |
| ATIS | ATIS.3GPP.29.272V1160-2014 | 11.6.0 | Approved | May 14 | https://www.atis.org/docstore/default.aspx |
| CCSA | CCSA-TSD-TDD-29.272 | 11.10.0 | Published | Jun 14 | http://www.ccsa.org.cn/english/tc/files.php?docpath=/ITU-R/M.1457/M.1457-12/TDD |
| ETSI | ETSI TS 129 272 | 11.6.0 | Published | Apr 13 | http://www.etsi.org/deliver/etsi_ts/129200_129299/129272/11.06.00_60/ |
| TTC | TS-3GA-29.272(Rel11)v11.6.0 | 11.6.0 | Approved | Jun 13 | http://www.ttc.or.jp/jp/document_list/free/3gpps2013/TS/TS-3GA-29.272(Rel11)v11.6.0.pdf |

5.3.2.12.153 TS 29.273

Evolved Packet System (EPS); 3GPP EPS AAA interfaces

This document defines the stage-3 protocol description for several reference points for the non-3GPP access in EPS.

| SDO (2) | Document No. | Version | Status | Issued date | Location (1) |
|-------------------|-----------------------------|---------|-----------|-------------|---|
| Release 8 | | | | | |
| CCSA | CCSA-TSD-TDD-29.273 | 8.9.0 | Published | Jun 12 | http://www.ccsa.org.cn/english/tc/files.php?docpath=/ITU-R/M.1457/M.1457-12/TDD |
| ETSI | ETSI TS 129 273 | 8.12.0 | Published | Jan 13 | http://www.etsi.org/deliver/etsi_ts/129200_129299/129273/08.12.00_60/ |
| TTC | TS-3GA-29.273(Rel8)v8.12.0 | 8.12.0 | Approved | Jun 13 | http://www.ttc.or.jp/jp/document_list/free/3gpps2013/TS/TS-3GA-29.273(Rel8)v8.12.0.pdf |
| Release 9 | | | | | |
| ATIS | ATIS.3GPP.29.273V9110-2014 | 9.11.0 | Approved | May 14 | https://www.atis.org/docstore/default.aspx |
| CCSA | CCSA-TSD-TDD-29.273 | 9.8.0 | Published | Jun 12 | http://www.ccsa.org.cn/english/tc/files.php?docpath=/ITU-R/M.1457/M.1457-12/TDD |
| ETSI | ETSI TS 129 273 | 9.11.0 | Published | Jan 13 | http://www.etsi.org/deliver/etsi_ts/129200_129299/129273/09.11.00_60/ |
| TTC | TS-3GA-29.273(Rel9)v9.11.0 | 9.11.0 | Approved | Jun 13 | http://www.ttc.or.jp/jp/document_list/free/3gpps2013/TS/TS-3GA-29.273(Rel9)v9.11.0.pdf |
| Release 10 | | | | | |
| ATIS | ATIS.3GPP.29.273V1090-2014 | 10.9.0 | Approved | May 14 | https://www.atis.org/docstore/default.aspx |
| CCSA | CCSA-TSD-TDD-29.273 | 10.4.0 | Published | Jun 12 | http://www.ccsa.org.cn/english/tc/files.php?docpath=/ITU-R/M.1457/M.1457-12/TDD |
| ETSI | ETSI TS 129 273 | 10.9.0 | Published | Apr 13 | http://www.etsi.org/deliver/etsi_ts/129200_129299/129273/10.09.00_60/ |
| TTC | TS-3GA-29.273(Rel10)v10.9.0 | 10.9.0 | Approved | Jun 13 | http://www.ttc.or.jp/jp/document_list/free/3gpps2013/TS/TS-3GA-29.273(Rel10)v10.9.0.pdf |
| Release 11 | | | | | |
| ATIS | ATIS.3GPP.29.273V1150-2014 | 11.5.0 | Approved | May 14 | https://www.atis.org/docstore/default.aspx |
| CCSA | CCSA-TSD-TDD-29.273 | 11.9.0 | Published | Jun 14 | http://www.ccsa.org.cn/english/tc/files.php?docpath=/ITU-R/M.1457/M.1457-12/TDD |
| ETSI | ETSI TS 129 273 | 11.5.0 | Published | Apr 13 | http://www.etsi.org/deliver/etsi_ts/129200_129299/129273/11.05.00_60/ |
| TTC | TS-3GA-29.273(Rel11)v11.5.0 | 11.5.0 | Approved | Jun 13 | http://www.ttc.or.jp/jp/document_list/free/3gpps2013/TS/TS-3GA-29.273(Rel11)v11.5.0.pdf |

5.3.2.12.154 TS 29.274

3GPP Evolved Packet System (EPS); Evolved General Packet Radio Service (GPRS) Tunnelling Protocol for Control plane (GTPv2-C); Stage 3

This document specifies the stage 3 of the control plane of the GPRS Tunnelling Protocol, Version 2 for Evolved Packet System interfaces (GTPv2_C). In this document, unless otherwise specified the S5 interface refers always to “GTP-based S5” and S8 interface refers always to “GTP-based S8” interface.

| SDO (2) | Document No. | Version | Status | Issued date | Location (1) |
|---------|--------------|---------|--------|-------------|--------------|
|---------|--------------|---------|--------|-------------|--------------|

Release 8

| | | | | | |
|------|----------------------------|--------|-----------|--------|---|
| CCSA | CCSA-TSD-TDD-29.274 | 8.11.0 | Published | Jun 12 | http://www.ccsa.org.cn/english/tc/files.php?docpath=/ITU-R/M.1457/M.1457-12/TDD |
| ETSI | ETSI TS 129 274 | 8.11.0 | Published | Jan 12 | http://www.etsi.org/deliver/etsi_ts/129200_129299/129274/08.11.00_60/ |
| TTC | TS-3GA-29.274(Rel8)v8.11.0 | 8.11.0 | Approved | Feb 12 | http://www.ttc.or.jp/j/document_list/free/3gpps2012/TS/TS-3GA-29.274(Rel8)v8.11.0.pdf |

Release 9

| | | | | | |
|------|----------------------------|--------|-----------|--------|---|
| ATIS | ATIS.3GPP.29.274V9110-2014 | 9.11.0 | Approved | May 14 | https://www.atis.org/docstore/default.aspx |
| CCSA | CCSA-TSD-TDD-29.274 | 9.9.0 | Published | Jun 12 | http://www.ccsa.org.cn/english/tc/files.php?docpath=/ITU-R/M.1457/M.1457-12/TDD |
| ETSI | ETSI TS 129 274 | 9.11.0 | Published | Jan 13 | http://www.etsi.org/deliver/etsi_ts/129200_129299/129274/09.11.00_60/ |
| TTC | TS-3GA-29.274(Rel9)v9.11.0 | 9.11.0 | Approved | Jun 13 | http://www.ttc.or.jp/j/document_list/free/3gpps2013/TS/TS-3GA-29.274(Rel9)v9.11.0.pdf |

Release 10

| | | | | | |
|------|------------------------------|---------|-----------|--------|---|
| ATIS | ATIS.3GPP.29.274V10100- | 10.10.0 | Approved | May 14 | https://www.atis.org/docstore/default.aspx |
| CCSA | CCSA-TSD-TDD-29.274 | 10.5.0 | Published | Jun 12 | http://www.ccsa.org.cn/english/tc/files.php?docpath=/ITU-R/M.1457/M.1457-12/TDD |
| ETSI | ETSI TS 129 274 | 10.10.0 | Published | Apr 13 | http://www.etsi.org/deliver/etsi_ts/129200_129299/129274/10.10.00_60/ |
| TTC | TS-3GA-29.274(Rel10)v10.10.0 | 10.10.0 | Approved | Jun 13 | http://www.ttc.or.jp/j/document_list/free/3gpps2013/TS/TS-3GA-29.274(Rel10)v10.10.0.pdf |

Release 11

| | | | | | |
|------|-----------------------------|---------|-----------|--------|---|
| ATIS | ATIS.3GPP.29.274V1160-2014 | 11.6.0 | Approved | May 14 | https://www.atis.org/docstore/default.aspx |
| CCSA | CCSA-TSD-TDD-29.274 | 11.11.0 | Published | Jun 14 | http://www.ccsa.org.cn/english/tc/files.php?docpath=/ITU-R/M.1457/M.1457-12/TDD |
| ETSI | ETSI TS 129 274 | 11.6.0 | Published | Apr 13 | http://www.etsi.org/deliver/etsi_ts/129200_129299/129274/11.06.00_60/ |
| TTC | TS-3GA-29.274(Rel11)v11.6.0 | 11.6.0 | Approved | Jun 13 | http://www.ttc.or.jp/j/document_list/free/3gpps2013/TS/TS-3GA-29.274(Rel11)v11.6.0.pdf |

5.3.2.12.155 TS 29.275**Prox Mobile IPv6 (PMIPv6) based Mobility and Tunnelling protocols; Stage 3**

This document specifies the Stage 3 of the PMIPv6 Based Mobility and Tunnelling Protocols used over the PMIP-based S2a, S2b, S5, and S8 reference points defined in 3GPP TS 23.402, and are thus applicable to the Serving GW, PDN Gateway, ePDG, and Trusted Non-3GPP Access. Protocols specifications are compliant with relevant IETF RFCs. In this specification PMIP refers to PMIPv6 as defined in IETF RFC 5213.

| SDO (2) | Document No. | Version | Status | Issued date | Location (1) |
|-------------------|-----------------------------|---------|-----------|-------------|---|
| Release 8 | | | | | |
| CCSA | CCSA-TSD-TDD-29.275 | 8.8.0 | Published | Jun 12 | http://www.ccsa.org.cn/english/tc/files.php?docpath=/ITU-R/M.1457/M.1457-12/TDD |
| ETSI | ETSI TS 129 275 | 8.8.0 | Published | Jan 11 | http://www.etsi.org/deliver/etsi_ts/129200_129299/129275/08.08.00_60/ |
| TTC | TS-3GA-29.275(Rel8)v8.8.0 | 8.8.0 | Approved | Apr 11 | http://www.ttc.or.jp/j/document_list/free/3gpps2011/TS/TS-3GA-29.275(Rel8)v8.8.0.pdf |
| Release 9 | | | | | |
| ATIS | ATIS.3GPP.29.275V980-2014 | 9.8.0 | Approved | May 14 | https://www.atis.org/docstore/default.aspx |
| CCSA | CCSA-TSD-TDD-29.275 | 9.7.0 | Published | Jun 12 | http://www.ccsa.org.cn/english/tc/files.php?docpath=/ITU-R/M.1457/M.1457-12/TDD |
| ETSI | ETSI TS 129 275 | 9.8.0 | Published | Apr 12 | http://www.etsi.org/deliver/etsi_ts/129200_129299/129275/09.08.00_60/ |
| TTC | TS-3GA-29.275(Rel9)v9.8.0 | 9.8.0 | Approved | Jun 12 | http://www.ttc.or.jp/j/document_list/free/3gpps2012/TS/TS-3GA-29.275(Rel9)v9.8.0.pdf |
| Release 10 | | | | | |
| ATIS | ATIS.3GPP.29.275V1070-2014 | 10.7.0 | Approved | May 14 | https://www.atis.org/docstore/default.aspx |
| CCSA | CCSA-TSD-TDD-29.275 | 10.4.0 | Published | Jun 12 | http://www.ccsa.org.cn/english/tc/files.php?docpath=/ITU-R/M.1457/M.1457-12/TDD |
| ETSI | ETSI TS 129 275 | 10.7.0 | Published | Apr 13 | http://www.etsi.org/deliver/etsi_ts/129200_129299/129275/10.07.00_60/ |
| TTC | TS-3GA-29.275(Rel10)v10.7.0 | 10.7.0 | Approved | Jun 13 | http://www.ttc.or.jp/j/document_list/free/3gpps2013/TS/TS-3GA-29.275(Rel10)v10.7.0.pdf |

Release 11

| | | | | | |
|------|-----------------------------|--------|-----------|--------|---|
| ATIS | ATIS.3GPP.29.275V1160-2014 | 11.6.0 | Approved | May 14 | https://www.atis.org/docstore/default.aspx |
| CCSA | CCSA-TSD-TDD-29.275 | 11.9.0 | Published | Jun 14 | http://www.ccsa.org.cn/english/tc/files.php?docpath=/ITU-R/M.1457/M.1457-12/TDD |
| ETSI | ETSI TS 129 275 | 11.6.0 | Published | Apr 13 | http://www.etsi.org/deliver/etsi_ts/129200_129299/129275/11.06.00_60/ |
| TTC | TS-3GA-29.275(Rel11)v11.6.0 | 11.6.0 | Approved | Jun 13 | http://www.ttc.or.jp/jp/document_list/free/3gpps2013/TS/TS-3GA-29.275(Rel11)v11.6.0.pdf |

5.3.2.12.156 TS 29.276**3GPP Evolved Packet System (EPS); Optimized handover procedures and protocols between E-UTRAN access and cdma2000 HRPD Access; Stage 3**

This document specifies the Stage 3 of the Evolved Packet System S101 interface between the MME and the HRPD Access Network. The S101 interface supports procedures for Pre-Registration, Session Maintenance and Active handoffs between E-UTRAN and HRPD networks.

| SDO (2) | Document No. | Version | Status | Issued date | Location (1) |
|-------------------|-----------------------------|---------|-----------|-------------|---|
| Release 8 | | | | | |
| CCSA | CCSA-TSD-TDD-29.276 | 8.7.0 | Published | Jun 12 | http://www.ccsa.org.cn/english/tc/files.php?docpath=/ITU-R/M.1457/M.1457-12/TDD |
| ETSI | ETSI TS 129 276 | 8.7.0 | Published | Jun 11 | http://www.etsi.org/deliver/etsi_ts/129200_129299/129276/08.07.00_60/ |
| TTC | TS-3GA-29.276(Rel8)v8.7.0 | 8.7.0 | Approved | Aug 11 | http://www.ttc.or.jp/j/document_list/free/3gpps2011/TS/TS-3GA-29.276(Rel8)v8.7.0.pdf |
| Release 9 | | | | | |
| ATIS | ATIS.3GPP.29.276V950-2012 | 9.5.0 | Approved | Jul 12 | https://www.atis.org/docstore/default.aspx |
| CCSA | CCSA-TSD-TDD-29.276 | 9.5.0 | Published | Jun 12 | http://www.ccsa.org.cn/english/tc/files.php?docpath=/ITU-R/M.1457/M.1457-12/TDD |
| ETSI | ETSI TS 129 276 | 9.5.0 | Published | Jun 11 | http://www.etsi.org/deliver/etsi_ts/129200_129299/129276/09.05.00_60/ |
| TTC | TS-3GA-29.276(Rel9)v9.5.0 | 9.5.0 | Approved | Aug 11 | http://www.ttc.or.jp/j/document_list/free/3gpps2011/TS/TS-3GA-29.276(Rel9)v9.5.0.pdf |
| Release 10 | | | | | |
| ATIS | ATIS.3GPP.29.276V1030-2014 | 10.3.0 | Approved | May 14 | https://www.atis.org/docstore/default.aspx |
| CCSA | CCSA-TSD-TDD-29.276 | 10.3.0 | Published | Jun 12 | http://www.ccsa.org.cn/english/tc/files.php?docpath=/ITU-R/M.1457/M.1457-12/TDD |
| ETSI | ETSI TS 129 276 | 10.3.0 | Published | Jan 12 | http://www.etsi.org/deliver/etsi_ts/129200_129299/129276/10.03.00_60/ |
| TTC | TS-3GA-29.276(Rel10)v10.3.0 | 10.3.0 | Approved | Feb 12 | http://www.ttc.or.jp/j/document_list/free/3gpps2012/TS/TS-3GA-29.276(Rel10)v10.3.0.pdf |
| Release 11 | | | | | |
| ATIS | ATIS.3GPP.29.276V1100-2014 | 11.0.0 | Approved | May 14 | https://www.atis.org/docstore/default.aspx |
| CCSA | CCSA-TSD-TDD-29.276 | 11.0.0 | Published | Jun 14 | http://www.ccsa.org.cn/english/tc/files.php?docpath=/ITU-R/M.1457/M.1457-12/TDD |
| ETSI | ETSI TS 129 276 | 11.0.0 | Published | Oct 12 | http://www.etsi.org/deliver/etsi_ts/129200_129299/129276/11.00.00_60/ |
| TTC | TS-3GA-29.276(Rel11)v11.0.0 | 11.0.0 | Approved | Jun 13 | http://www.ttc.or.jp/j/document_list/free/3gpps2013/TS/TS-3GA-29.276(Rel11)v11.0.0.pdf |

5.3.2.12.157 TS 29.278**Customized Applications for Mobile network Enhanced Logic (CAMEL) Phase 4; CAMEL Application Part (CAP) specification for IP Multimedia Subsystems (IMS)**

This document specifies the CAMEL Application Part (CAP) supporting the fourth phase of the network feature Customized Applications for Mobile network Enhanced Logic for IP Multimedia CN subsystems. CAP is based on a sub-set of the ETSI Core INAP CS-2 as specified by ETSI EN 301 140?1.

Descriptions and definitions provided by ETSI EN 301 140¹ are directly referenced by this standard in case no additions or clarifications are needed for the use in the CAP.

| SDO (2) | Document No. | Version | Status | Issued date | Location (1) |
|-------------------|-----------------------------|---------|-----------|-------------|---|
| Release 5 | | | | | |
| CCSA | CCSA-TSD-TDD-29.278 | 5.4.0 | Published | Jun 14 | http://www.ccsa.org.cn/english/tc/files.php?docpath=/ITU-R/M.1457/M.1457-12/TDD |
| TTC | TS-3GA-29.278(Rel5)v5.4.0 | 5.4.0 | Approved | May 05 | http://www.ttc.or.jp/j/document_list/free/TS/TS-3GA-29.278(Rel5)v5.4.0.pdf |
| Release 6 | | | | | |
| CCSA | CCSA-TSD-TDD-29.278 | 6.1.0 | Published | Jun 14 | http://www.ccsa.org.cn/english/tc/files.php?docpath=/ITU-R/M.1457/M.1457-12/TDD |
| TTC | TS-3GA-29.278(Rel6)v6.1.0 | 6.1.0 | Approved | May 05 | http://www.ttc.or.jp/j/document_list/free/TS/TS-3GA-29.278(Rel6)v6.1.0.pdf |
| Release 7 | | | | | |
| CCSA | CCSA-TSD-TDD-29.278 | 7.0.0 | Published | Jun 14 | http://www.ccsa.org.cn/english/tc/files.php?docpath=/ITU-R/M.1457/M.1457-12/TDD |
| TTC | TS-3GA-29.278(Rel7)v7.0.0 | 7.0.0 | Approved | Mar 08 | http://www.ttc.or.jp/j/document_list/free/TS/TS-3GA-29.278(Rel7)v7.0.0.pdf |
| Release 8 | | | | | |
| CCSA | CCSA-TSD-TDD-29.278 | 8.0.0 | Published | Jun 14 | http://www.ccsa.org.cn/english/tc/files.php?docpath=/ITU-R/M.1457/M.1457-12/TDD |
| TTC | TS-3GA-29.278(Rel8)v8.0.0 | 8.0.0 | Approved | Feb 09 | http://www.ttc.or.jp/j/document_list/free/3gpps2009/TS/TS-3GA-29.278(Rel8)v8.0.0.pdf |
| Release 9 | | | | | |
| CCSA | CCSA-TSD-TDD-29.278 | 9.0.0 | Published | Jun 14 | http://www.ccsa.org.cn/english/tc/files.php?docpath=/ITU-R/M.1457/M.1457-12/TDD |
| TTC | TS-3GA-29.278(Rel9)v9.0.0 | 9.0.0 | Approved | Jul 10 | http://www.ttc.or.jp/j/document_list/free/3gpps2010/TS/TS-3GA-29.278(Rel9)v9.0.0.pdf |
| Release 10 | | | | | |
| CCSA | CCSA-TSD-TDD-29.278 | 10.0.0 | Published | Jun 14 | http://www.ccsa.org.cn/english/tc/files.php?docpath=/ITU-R/M.1457/M.1457-12/TDD |
| TTC | TS-3GA-29.278(Rel10)v10.0.0 | 10.0.0 | Approved | Jun 11 | http://www.ttc.or.jp/j/document_list/free/3gpps2011/TS/TS-3GA-29.278(Rel10)v10.0.0.pdf |
| Release 11 | | | | | |
| ATIS | ATIS.3GPP.29.278V1100-2014 | 11.0.0 | Approved | May 14 | https://www.atis.org/docstore/default.aspx |
| CCSA | CCSA-TSD-TDD-29.278 | 11.0.0 | Published | Jun 14 | http://www.ccsa.org.cn/english/tc/files.php?docpath=/ITU-R/M.1457/M.1457-12/TDD |
| TTC | TS-3GA-29.278(Rel11)v11.0.0 | 11.0.0 | Approved | Jun 13 | http://www.ttc.or.jp/j/document_list/free/3gpps2013/TS/TS-3GA-29.278(Rel11)v11.0.0.pdf |

5.3.2.12.158 TS 29.280

Evolved Packet System (EPS); 3GPP Sv interface (MME to MSC, and SGSN to MSC) for SRVCC

This document describes the Sv interface between the Mobility Management Entity (MME) or Serving GPRS Support Node (SGSN) and 3GPP MSC server enhanced for SRVCC. Sv interface is used to support Inter-RAT handover from VoIP/IMS over EPS to CS domain over 3GPP UTRAN/GERAN access or from UTRAN (HSPA) to 3GPP UTRAN/GERAN access.

| SDO (2) | Document No. | Version | Status | Issued date | Location (1) |
|-------------------|----------------------------|---------|-----------|-------------|---|
| Release 8 | | | | | |
| CCSA | CCSA-TSD-TDD-29.280 | 8.8.0 | Published | Jun 12 | http://www.ccsa.org.cn/english/tc/files.php?docpath=/ITU-R/M.1457/M.1457-12/TDD |
| ETSI | ETSI TS 129 280 | 8.8.0 | Published | Jan 12 | http://www.etsi.org/deliver/etsi_ts/129200_129299/129280/08.08.00_60/ |
| TTC | TS-3GA-29.280(Rel8)v8.8.0 | 8.8.0 | Approved | Feb 12 | http://www.ttc.or.jp/j/document_list/free/3gpps2012/TS/TS-3GA-29.280(Rel8)v8.8.0.pdf |
| Release 9 | | | | | |
| ATIS | ATIS.3GPP.29.280V980-2014 | 9.8.0 | Approved | May 14 | https://www.atis.org/docstore/default.aspx |
| CCSA | CCSA-TSD-TDD-29.280 | 9.8.0 | Published | Jun 12 | http://www.ccsa.org.cn/english/tc/files.php?docpath=/ITU-R/M.1457/M.1457-12/TDD |
| ETSI | ETSI TS 129 280 | 9.8.0 | Published | Jan 12 | http://www.etsi.org/deliver/etsi_ts/129200_129299/129280/09.08.00_60/ |
| TTC | TS-3GA-29.280(Rel9)v9.8.0 | 9.8.0 | Approved | Feb 12 | http://www.ttc.or.jp/j/document_list/free/3gpps2012/TS/TS-3GA-29.280(Rel9)v9.8.0.pdf |
| Release 10 | | | | | |
| ATIS | ATIS.3GPP.29.280V1040-2014 | 10.4.0 | Approved | May 14 | https://www.atis.org/docstore/default.aspx |

| | | | | | |
|-------------------|-----------------------------|--------|-----------|--------|---|
| CCSA | CCSA-TSD-TDD-29.280 | 10.3.0 | Published | Jun 12 | http://www.ccsa.org.cn/english/tc/files.php?docpath=/ITU-R/M.1457/M.1457-12/TDD |
| ETSI | ETSI TS 129 280 | 10.4.0 | Published | Jul 12 | http://www.etsi.org/deliver/etsi_ts/129200_129299/129280/10.04.00_60/ |
| TTC | TS-3GA-29.280(Rel10)v10.4.0 | 10.4.0 | Approved | Sep 12 | http://www.ttc.or.jp/j/document_list/free/3gpps2012/TS/TS-3GA-29.280(Rel10)v10.3.0.pdf |
| Release 11 | | | | | |
| ATIS | ATIS.3GPP.29.280V1130-2014 | 11.3.0 | Approved | May 14 | https://www.atis.org/docstore/default.aspx |
| CCSA | CCSA-TSD-TDD-29.280 | 11.6.0 | Published | Jun 14 | http://www.ccsa.org.cn/english/tc/files.php?docpath=/ITU-R/M.1457/M.1457-12/TDD |
| ETSI | ETSI TS 129 280 | 11.3.0 | Published | Oct 12 | http://www.etsi.org/deliver/etsi_ts/129200_129299/129280/11.03.00_60/ |
| TTC | TS-3GA-29.280(Rel11)v11.3.0 | 11.3.0 | Approved | Jun 13 | http://www.ttc.or.jp/jp/document_list/free/3gpps2013/TS/TS-3GA-29.280(Rel11)v11.3.0.pdf |

5.3.2.12.159 TS 29.281

General Packet Radio System (GPRS) Tunnelling Protocol User Plane (GTPv1-U)

This document defines the user plane of GTP used on: – the Gn and Gp interfaces of the General Packet Radio Service (GPRS);- the Iu, Gn and Gp interfaces of the UMTS system;- the S1-U, X2, S4, S5, S8 and S12 interfaces of the Evolved Packet System (EPS).

| SDO (2) | Document No. | Version | Status | Issued date | Location (1) |
|-------------------|-----------------------------|---------|-----------|-------------|---|
| Release 8 | | | | | |
| CCSA | CCSA-TSD-TDD-29.281 | 8.5.0 | Published | Jun 12 | http://www.ccsa.org.cn/english/tc/files.php?docpath=/ITU-R/M.1457/M.1457-12/TDD |
| ETSI | ETSI TS 129 281 | 8.5.0 | Published | Apr 10 | http://www.etsi.org/deliver/etsi_ts/129200_129299/129281/08.05.00_60/ |
| TTC | TS-3GA-29.281(Rel8)v8.5.0 | 8.5.0 | Approved | Jul 10 | http://www.ttc.or.jp/j/document_list/free/3gpps2010/TS/TS-3GA-29.281(Rel8)v8.5.0.pdf |
| Release 9 | | | | | |
| ATIS | ATIS.3GPP.29.281V930-2012 | 9.3.0 | Approved | Jul 12 | https://www.atis.org/docstore/default.aspx |
| CCSA | CCSA-TSD-TDD-29.281 | 9.3.0 | Published | Jun 12 | http://www.ccsa.org.cn/english/tc/files.php?docpath=/ITU-R/M.1457/M.1457-12/TDD |
| ETSI | ETSI TS 129 281 | 9.3.0 | Published | Jun 10 | http://www.etsi.org/deliver/etsi_ts/129200_129299/129281/09.03.00_60/ |
| TTC | TS-3GA-29.281(Rel9)v9.3.0 | 9.3.0 | Approved | Oct 10 | http://www.ttc.or.jp/j/document_list/free/3gpps2010/TS/TS-3GA-29.281(Rel9)v9.3.0.pdf |
| Release 10 | | | | | |
| ATIS | ATIS.3GPP.29.281V1030-2012 | 10.3.0 | Approved | Jul 12 | https://www.atis.org/docstore/default.aspx |
| CCSA | CCSA-TSD-TDD-29.281 | 10.3.0 | Published | Jun 12 | http://www.ccsa.org.cn/english/tc/files.php?docpath=/ITU-R/M.1457/M.1457-12/TDD |
| ETSI | ETSI TS 129 281 | 10.3.0 | Published | Oct 11 | http://www.etsi.org/deliver/etsi_ts/129200_129299/129281/10.03.00_60/ |
| TTC | TS-3GA-29.281(Rel10)v10.3.0 | 10.3.0 | Approved | Dec 11 | http://www.ttc.or.jp/j/document_list/free/3gpps2011/TS/TS-3GA-29.281(Rel10)v10.3.0.pdf |
| Release 11 | | | | | |
| ATIS | ATIS.3GPP.29.281V1160-2014 | 11.6.0 | Approved | May 14 | https://www.atis.org/docstore/default.aspx |
| CCSA | CCSA-TSD-TDD-29.281 | 11.6.0 | Published | Jun 14 | http://www.ccsa.org.cn/english/tc/files.php?docpath=/ITU-R/M.1457/M.1457-12/TDD |
| ETSI | ETSI TS 129 281 | 11.6.0 | Published | Apr 13 | http://www.etsi.org/deliver/etsi_ts/129200_129299/129281/11.06.00_60/ |
| TTC | TS-3GA-29.281(Rel11)v11.6.0 | 11.6.0 | Approved | Jun 13 | http://www.ttc.or.jp/j/document_list/free/3gpps2013/TS/TS-3GA-29.281(Rel11)v11.6.0.pdf |

5.3.2.12.160 TS 29.282

Mobile IPv6 vendor specific option format and usage within 3GPP

This document specifies the format and usage of the Mobile IPv6 Vendor Specific Option within the Third Generation Partnership Project.

| SDO (2) | Document No. | Version | Status | Issued date | Location (1) |
|---------|--------------|---------|--------|-------------|--------------|
|---------|--------------|---------|--------|-------------|--------------|

Release 8

| | | | | | |
|------|---------------------------|-------|-----------|--------|---|
| CCSA | CCSA-TSD-TDD-29.282 | 8.3.0 | Published | Jun 12 | http://www.ccsa.org.cn/english/tc/files.php?docpath=/ITU-R/M.1457/M.1457-12/TDD |
| TTC | TS-3GA-29.282(Rel8)v8.3.0 | 8.3.0 | Approved | Dec 12 | http://www.ttc.or.jp/j/document_list/free/3gpps2012/TS/TS-3GA-29.282(Rel8)v8.3.0.pdf |

Release 9

| | | | | | |
|------|---------------------------|-------|-----------|--------|---|
| CCSA | CCSA-TSD-TDD-29.282 | 9.1.0 | Published | Jun 12 | http://www.ccsa.org.cn/english/tc/files.php?docpath=/ITU-R/M.1457/M.1457-12/TDD |
| TTC | TS-3GA-29.282(Rel9)v9.1.0 | 9.1.0 | Approved | Dec 12 | http://www.ttc.or.jp/j/document_list/free/3gpps2012/TS/TS-3GA-29.282(Rel9)v9.1.0.pdf |

Release 10

| | | | | | |
|------|-----------------------------|--------|-----------|--------|---|
| CCSA | CCSA-TSD-TDD-29.282 | 10.4.0 | Published | Jun 12 | http://www.ccsa.org.cn/english/tc/files.php?docpath=/ITU-R/M.1457/M.1457-12/TDD |
| TTC | TS-3GA-29.282(Rel10)v10.4.0 | 10.4.0 | Approved | Jun 13 | http://www.ttc.or.jp/j/document_list/free/3gpps2013/TS/TS-3GA-29.282(Rel10)v10.4.0.pdf |

Release 11

| | | | | | |
|------|-----------------------------|--------|-----------|--------|---|
| ATIS | ATIS.3GPP.29.282V1110-2014 | 11.1.0 | Approved | May 14 | https://www.atis.org/docstore/default.aspx |
| CCSA | CCSA-TSD-TDD-29.282 | 11.1.0 | Published | Jun 14 | http://www.ccsa.org.cn/english/tc/files.php?docpath=/ITU-R/M.1457/M.1457-12/TDD |
| TTC | TS-3GA-29.282(Rel11)v11.1.0 | 11.1.0 | Approved | Jun 13 | http://www.ttc.or.jp/j/document_list/free/3gpps2013/TS/TS-3GA-29.282(Rel11)v11.1.0.pdf |

5.3.2.12.161 TS 29.292**Interworking between the IP Multimedia (IM) Core Network (CN) subsystem (IMS) and MSC Server for IMS Centralized Services (ICS)**

Services as defined in 3GPP TS 24.173 to users regardless of the attached access network type; e.g. CS domain access or IP-CAN.

This document specifies the principles of interworking between the IM CN subsystem and CS domain in order to enable ICS for UEs using CS domain access. The document addresses the area of registration procedures interworking between the CS domain and IM CN subsystem, and the areas of control and user plane interworking between the IM CN subsystem and CS domain through an MSC Server enhanced for ICS and CS-MGW respectively. This includes the signalling procedures between the MSC Server and CS-MGW.

For the specification of control plane interworking, the document defines the protocol interworking between the 3GPP profile of SIP as described in 3GPP TS 24.229 and NAS signalling as described in 3GPP TS 24.008 required for the support of IM CN subsystem based multimedia telephony and supplementary services. The document addresses the area of supplementary service configuration interworking between the CS domain and IM CN subsystem. It is applicable to the MSC Server and CS-MGW.

| SDO (2) | Document No. | Version | Status | Issued date | Location (1) |
|-------------------|----------------------------|---------|-----------|-------------|---|
| Release 8 | | | | | |
| CCSA | CCSA-TSD-TDD-29.292 | 8.5.0 | Published | Jun 12 | http://www.ccsa.org.cn/english/tc/files.php?docpath=/ITU-R/M.1457/M.1457-12/TDD |
| ETSI | ETSI TS 129 292 | 8.7.0 | Published | Apr 13 | http://www.etsi.org/deliver/etsi_ts/129200_129299/129292/08.07.00_60/ |
| TTC | TS-3GA-29.292(Rel8)v8.7.0 | 8.7.0 | Approved | Jun 13 | http://www.ttc.or.jp/jp/document_list/free/3gpps2013/TS/TS-3GA-29.292(Rel8)v8.7.0.pdf |
| Release 9 | | | | | |
| ATIS | ATIS.3GPP.29.292V930-2014 | 9.3.0 | Approved | May 14 | https://www.atis.org/docstore/default.aspx |
| CCSA | CCSA-TSD-TDD-29.292 | 9.1.0 | Published | Jun 12 | http://www.ccsa.org.cn/english/tc/files.php?docpath=/ITU-R/M.1457/M.1457-12/TDD |
| ETSI | ETSI TS 129 292 | 9.3.0 | Published | Apr 13 | http://www.etsi.org/deliver/etsi_ts/129200_129299/129292/09.03.00_60/ |
| TTC | TS-3GA-29.292(Rel9)v9.3.0 | 9.3.0 | Approved | Jun 13 | http://www.ttc.or.jp/jp/document_list/free/3gpps2013/TS/TS-3GA-29.292(Rel9)v9.3.0.pdf |
| Release 10 | | | | | |
| ATIS | ATIS.3GPP.29.292V1050-2014 | 10.5.0 | Approved | May 14 | https://www.atis.org/docstore/default.aspx |

| | | | | | |
|------|-----------------------------|--------|-----------|--------|---|
| CCSA | CCSA-TSD-TDD-29.292 | 10.1.0 | Published | Jun 12 | http://www.ccsa.org.cn/english/tc/files.php?docpath=/ITU-R/M.1457/M.1457-12/TDD |
| ETSI | ETSI TS 129 292 | 10.5.0 | Published | Apr 13 | http://www.etsi.org/deliver/etsi_ts/129200_129299/129292/10.05.00_60/ |
| TTC | TS-3GA-29.292(Rel10)v10.5.0 | 10.5.0 | Approved | Jun 13 | http://www.ttc.or.jp/jp/document_list/free/3gpps2013/TS/TS-3GA-29.292(Rel10)v10.5.0.pdf |

Release 11

| | | | | | |
|------|-----------------------------|--------|-----------|--------|---|
| ATIS | ATIS.3GPP.29.292V1150-2014 | 11.5.0 | Approved | May 14 | https://www.atis.org/docstore/default.aspx |
| CCSA | CCSA-TSD-TDD-29.292 | 11.7.0 | Published | Jun 14 | http://www.ccsa.org.cn/english/tc/files.php?docpath=/ITU-R/M.1457/M.1457-12/TDD |
| ETSI | ETSI TS 129 292 | 11.5.0 | Published | Apr 13 | http://www.etsi.org/deliver/etsi_ts/129200_129299/129292/11.05.00_60/ |
| TTC | TS-3GA-29.292(Rel11)v11.5.0 | 11.5.0 | Approved | Jun 13 | http://www.ttc.or.jp/jp/document_list/free/3gpps2013/TS/TS-3GA-29.292(Rel11)v11.5.0.pdf |

5.3.2.12.162 TS 29.303**Domain Name System Procedures; Stage 3**

This document describes Domain Name System (DNS) Procedures for the Evolved Packet System. This document covers the Evolved Packet Core gateway node selection using DNS (e.g. SGW and PGW nodes) excluding all User Equipment (UE) initiated DNS-based discovery and selection procedures.

| SDO (2) | Document No. | Version | Status | Issued date | Location (1) |
|-------------------|-----------------------------|---------|-----------|-------------|---|
| Release 8 | | | | | |
| CCSA | CCSA-TSD-TDD-29.303 | 8.5.0 | Published | Jun 14 | http://www.ccsa.org.cn/english/tc/files.php?docpath=/ITU-R/M.1457/M.1457-12/TDD |
| TTC | TS-3GA-29.303(Rel8)v8.4.0 | 8.4.0 | Approved | Jul 10 | http://www.ttc.or.jp/jp/document_list/free/3gpps2010/TS/TS-3GA-29.303(Rel8)v8.4.0.pdf |
| Release 9 | | | | | |
| CCSA | CCSA-TSD-TDD-29.303 | 9.5.0 | Published | Jun 14 | http://www.ccsa.org.cn/english/tc/files.php?docpath=/ITU-R/M.1457/M.1457-12/TDD |
| TTC | TS-3GA-29.303(Rel9)v9.4.0 | 9.4.0 | Approved | Aug 11 | http://www.ttc.or.jp/jp/document_list/free/3gpps2011/TS/TS-3GA-29.303(Rel9)v9.4.0.pdf |
| Release 10 | | | | | |
| CCSA | CCSA-TSD-TDD-29.303 | 10.5.0 | Published | Jun 14 | http://www.ccsa.org.cn/english/tc/files.php?docpath=/ITU-R/M.1457/M.1457-12/TDD |
| TTC | TS-3GA-29.303(Rel10)v10.4.0 | 10.4.0 | Approved | Dec 12 | http://www.ttc.or.jp/jp/document_list/free/3gpps2012/TS/TS-3GA-29.303(Rel10)v10.4.0.pdf |
| Release 11 | | | | | |
| ATIS | ATIS.3GPP.29.303V1120-2014 | 11.2.0 | Approved | May 14 | https://www.atis.org/docstore/default.aspx |
| CCSA | CCSA-TSD-TDD-29.303 | 11.3.0 | Published | Jun 14 | http://www.ccsa.org.cn/english/tc/files.php?docpath=/ITU-R/M.1457/M.1457-12/TDD |
| TTC | TS-3GA-29.303(Rel11)v11.2.0 | 11.2.0 | Approved | Jun 13 | http://www.ttc.or.jp/jp/document_list/free/3gpps2013/TS/TS-3GA-29.303(Rel11)v11.2.0.pdf |

5.3.2.12.163 TS 29.305**InterWorking Function (IWF) between MAP based and Diameter based interfaces**

This document is to specify the InterWorking Functions (IWF)

- between MAP-based Gr, Gf interfaces and Diameter-based S6a, S6d, S13, S13a interfaces;
- between the S6a interface with SMS subscription data on the MME side and the S6a interface without SMS subscription data plus the MAP-based D interface for SMS subscription on the HSS side;

- between the S6a interface with SMS subscription data on the MME side and the S6a interface without SMS subscription data plus the MAP-based D interface for SMS subscription on the HSS side;
- between MAP-based C for SMS interface and Diameter-based S6c interface;
- between MAP-based E for SMS interface and Diameter-based SGd interface.

| SDO (2) | Document No. | Version | Status | Issued date | Location (1) |
|-------------------|-----------------------------|---------|-----------|-------------|---|
| Release 8 | | | | | |
| CCSA | CCSA-TSD-TDD-29.305 | 8.5.0 | Published | Jun 14 | http://www.ccsa.org.cn/english/tc/files.php?docpath=/ITU-R/M.1457/M.1457-12/TDD |
| TTC | TS-3GA-29.305(Rel8)v8.4.0 | 8.4.0 | Approved | Jun 13 | http://www.ttc.or.jp/jp/document_list/free/3gpps2013/TS/TS-3GA-29.305(Rel8)v8.4.0.pdf |
| Release 9 | | | | | |
| CCSA | CCSA-TSD-TDD-29.305 | 9.3.0 | Published | Jun 14 | http://www.ccsa.org.cn/english/tc/files.php?docpath=/ITU-R/M.1457/M.1457-12/TDD |
| TTC | TS-3GA-29.305(Rel9)v9.2.0 | 9.2.0 | Approved | Jun 13 | http://www.ttc.or.jp/jp/document_list/free/3gpps2013/TS/TS-3GA-29.305(Rel9)v9.2.0.pdf |
| Release 10 | | | | | |
| CCSA | CCSA-TSD-TDD-29.305 | 10.4.0 | Published | Jun 14 | http://www.ccsa.org.cn/english/tc/files.php?docpath=/ITU-R/M.1457/M.1457-12/TDD |
| TTC | TS-3GA-29.305(Rel10)v10.3.0 | 10.3.0 | Approved | Jun 13 | http://www.ttc.or.jp/jp/document_list/free/3gpps2013/TS/TS-3GA-29.305(Rel10)v10.3.0.pdf |
| Release 11 | | | | | |
| ATIS | ATIS.3GPP.29.305V1140-2014 | 11.4.0 | Approved | May 14 | https://www.atis.org/docstore/default.aspx |
| CCSA | CCSA-TSD-TDD-29.305 | 11.7.0 | Published | Jun 14 | http://www.ccsa.org.cn/english/tc/files.php?docpath=/ITU-R/M.1457/M.1457-12/TDD |
| TTC | TS-3GA-29.305(Rel11)v11.4.0 | 11.4.0 | Approved | Jun 13 | http://www.ttc.or.jp/jp/document_list/free/3gpps2013/TS/TS-3GA-29.305(Rel11)v11.4.0.pdf |

5.3.2.12.164 TS 29.311

Service level interworking for Messaging Services

This document specifies the protocol details of service level interworking between Instant Message (OMA-TS-SIMPLE_IM) or Chat Session (OMA-TS-CPM_Conv_Funct) using the 3GPP IP Multimedia CN subsystem and the Short Message Service over both legacy CS/PS network as specified in the 3GPP TS 23.040 and a generic IP Connectivity Access Network (IP-CAN) as specified in the 3GPP TS 24.341. These include:

- Procedures to implement service level interworking between IM and SM;
- Procedures to implement service level interworking between CPM and SM;
- Enhancement of the IP-SM-GW as an Application Server to support service selection, authorization and mapping between IM or CPM and SM protocols;
- Interaction between service level interworking and transport layer interworking.

| SDO (2) | Document No. | Version | Status | Issued date | Location (1) |
|------------------|---------------------|---------|-----------|-------------|---|
| Release 8 | | | | | |
| CCSA | CCSA-TSD-TDD-29.311 | 8.2.0 | Published | Jun 12 | http://www.ccsa.org.cn/english/tc/files.php?docpath=/ITU-R/M.1457/M.1457-12/TDD |
| ETSI | ETSI TS 129 311 | 8.2.0 | Published | Oct 11 | http://www.etsi.org/deliver/etsi_ts/129300_129399/129311/08.02.00_60/ |

| | | | | | |
|-------------------|-----------------------------|--------|-----------|--------|---|
| TTC | TS-3GA-29.311(Rel8)v8.2.0 | 8.2.0 | Approved | Dec 11 | http://www.ttc.or.jp/jp/document_list/free/3gpps2011/TS/TS-3GA-29.311(Rel8)v8.2.0.pdf |
| Release 9 | | | | | |
| ATIS | ATIS.3GPP.29.311V910-2012 | 9.1.0 | Approved | Jul 12 | https://www.atis.org/docstore/default.aspx |
| CCSA | CCSA-TSD-TDD-29.311 | 9.1.0 | Published | Jun 12 | http://www.ccsa.org.cn/english/tc/files.php?docpath=/ITU-R/M.1457/M.1457-12/TDD |
| ETSI | ETSI TS 129 311 | 9.1.0 | Published | Oct 11 | http://www.etsi.org/deliver/etsi_ts/129300_129399/129311/09.01.00_60/ |
| TTC | TS-3GA-29.311(Rel9)v9.1.0 | 9.1.0 | Approved | Dec 11 | http://www.ttc.or.jp/jp/document_list/free/3gpps2011/TS/TS-3GA-29.311(Rel9)v9.1.0.pdf |
| Release 10 | | | | | |
| ATIS | ATIS.3GPP.29.311V1040-2012 | 10.4.0 | Approved | Jul 12 | https://www.atis.org/docstore/default.aspx |
| CCSA | CCSA-TSD-TDD-29.311 | 10.4.0 | Published | Jun 12 | http://www.ccsa.org.cn/english/tc/files.php?docpath=/ITU-R/M.1457/M.1457-12/TDD |
| ETSI | ETSI TS 129 311 | 10.4.0 | Published | Oct 11 | http://www.etsi.org/deliver/etsi_ts/129300_129399/129311/10.04.00_60/ |
| TTC | TS-3GA-29.311(Rel10)v10.4.0 | 10.4.0 | Approved | Dec 11 | http://www.ttc.or.jp/jp/document_list/free/3gpps2011/TS/TS-3GA-29.311(Rel10)v10.4.0.pdf |
| Release 11 | | | | | |
| ATIS | ATIS.3GPP.29.311V1100-2014 | 11.0.0 | Approved | May 14 | https://www.atis.org/docstore/default.aspx |
| CCSA | CCSA-TSD-TDD-29.311 | 11.1.0 | Published | Jun 14 | http://www.ccsa.org.cn/english/tc/files.php?docpath=/ITU-R/M.1457/M.1457-12/TDD |
| ETSI | ETSI TS 129 311 | 11.0.0 | Published | Oct 12 | http://www.etsi.org/deliver/etsi_ts/129300_129399/129311/11.00.00_60/ |
| TTC | TS-3GA-29.311(Rel11)v11.0.0 | 11.0.0 | Approved | Jun 13 | http://www.ttc.or.jp/jp/document_list/free/3gpps2013/TS/TS-3GA-29.311(Rel11)v11.0.0.pdf |

5.3.2.12.165 TS 29.328

IP Multimedia (IM) Subsystem Sh interface; Signalling flows and message contents

This document specifies:

- The interactions between the HSS (Home Subscriber Server) and the SIP AS (Application Server) and between the HSS and the OSA SCS (Service Capability Server). This interface is referred to as the Sh reference point.
- The interactions between the SIP AS and the SLF (Subscription Locator Function) and between the OSA SCS and the SLF. This interface is referred to as the Dh reference point.

The IP Multimedia (IM) Core Network Subsystem stage 2 is specified in 3GPP TS 23.228 and the signalling flows for the IP multimedia call control based on SIP and SDP are specified in 3GPP TS 24.228.

The IP Multimedia (IM) Session Handling with the IP Multimedia (IM) call model is specified in 3GPP TS 23.218.

This document addresses the signalling flows and message contents for the protocol at the Sh and Dh interface and also addresses how the functionality of Ph interface is accomplished. The Presence Service Stage 2 description (architecture and functional solution) is specified in 3GPP TS 23.141.

| SDO (2) | Document No. | Version | Status | Issued date | Location (1) |
|------------------|----------------------------|---------|-----------|-------------|---|
| Release 5 | | | | | |
| CCSA | CCSA-TSD-TDD-29.328 | 5.16.0 | Published | Jun 12 | http://www.ccsa.org.cn/english/tc/files.php?docpath=/ITU-R/M.1457/M.1457-12/TDD |
| ETSI | ETSI TS 129 328 | 5.16.0 | Published | Oct 09 | http://www.etsi.org/deliver/etsi_ts/129300_129399/129328/05.16.00_60/ |
| TTC | TS-3GA-29.328(Rel5)v5.16.0 | 5.16.0 | Approved | Dec 09 | http://www.ttc.or.jp/jp/document_list/free/3gpps2009/TS/TS-3GA-29.328(Rel5)v5.16.0.pdf |

Release 6

| | | | | | |
|------|----------------------------|--------|-----------|--------|---|
| CCSA | CCSA-TSD-TDD-29.328 | 6.15.0 | Published | Jun 12 | http://www.ccsa.org.cn/english/tc/files.php?docpath=/ITU-R/M.1457/M.1457-12/TDD |
| ETSI | ETSI TS 129 328 | 6.15.0 | Published | Oct 09 | http://www.etsi.org/deliver/etsi_ts/129300_129399/129328/06.15.00_60/ |
| TTC | TS-3GA-29.328(Rel6)v6.15.0 | 6.15.0 | Approved | Dec 09 | http://www.ttc.or.jp/j/document_list/free/3gpps2009/TS/TS-3GA-29.328(Rel6)v6.15.0.pdf |

Release 7

| | | | | | |
|------|----------------------------|--------|-----------|--------|---|
| CCSA | CCSA-TSD-TDD-29.328 | 7.13.0 | Published | Jun 12 | http://www.ccsa.org.cn/english/tc/files.php?docpath=/ITU-R/M.1457/M.1457-12/TDD |
| ETSI | ETSI TS 129 328 | 7.13.0 | Published | Oct 10 | http://www.etsi.org/deliver/etsi_ts/129300_129399/129328/07.13.00_60/ |
| TTC | TS-3GA-29.328(Rel7)v7.13.0 | 7.13.0 | Approved | Dec 10 | http://www.ttc.or.jp/j/document_list/free/3gpps2010/TS/TS-3GA-29.328(Rel7)v7.13.0.pdf |

Release 8

| | | | | | |
|------|----------------------------|--------|-----------|--------|---|
| CCSA | CCSA-TSD-TDD-29.328 | 8.14.0 | Published | Jun 12 | http://www.ccsa.org.cn/english/tc/files.php?docpath=/ITU-R/M.1457/M.1457-12/TDD |
| ETSI | ETSI TS 129 328 | 8.15.0 | Published | Apr 13 | http://www.etsi.org/deliver/etsi_ts/129300_129399/129328/08.15.00_60/ |
| TTC | TS-3GA-29.328(Rel8)v8.15.0 | 8.15.0 | Approved | Jun 13 | http://www.ttc.or.jp/j/document_list/free/3gpps2013/TS/TS-3GA-29.328(Rel8)v8.15.0.pdf |

Release 9

| | | | | | |
|------|----------------------------|--------|-----------|--------|---|
| ATIS | ATIS.3GPP.29.328V9120-2014 | 9.12.0 | Approved | May 14 | https://www.atis.org/docstore/default.aspx |
| CCSA | CCSA-TSD-TDD-29.328 | 9.7.0 | Published | Jun 12 | http://www.ccsa.org.cn/english/tc/files.php?docpath=/ITU-R/M.1457/M.1457-12/TDD |
| ETSI | ETSI TS 129 328 | 9.12.0 | Published | Apr 13 | http://www.etsi.org/deliver/etsi_ts/129300_129399/129328/09.12.00_60/ |
| TTC | TS-3GA-29.328(Rel9)v9.12.0 | 9.12.0 | Approved | Jun 13 | http://www.ttc.or.jp/jp/document_list/free/3gpps2013/TS/TS-3GA-29.328(Rel9)v9.12.0.pdf |

Release 10

| | | | | | |
|------|-----------------------------|--------|-----------|--------|---|
| ATIS | ATIS.3GPP.29.328V1090-2014 | 10.9.0 | Approved | May 14 | https://www.atis.org/docstore/default.aspx |
| CCSA | CCSA-TSD-TDD-29.328 | 10.4.0 | Published | Jun 12 | http://www.ccsa.org.cn/english/tc/files.php?docpath=/ITU-R/M.1457/M.1457-12/TDD |
| ETSI | ETSI TS 129 328 | 10.9.0 | Published | Apr 13 | http://www.etsi.org/deliver/etsi_ts/129300_129399/129328/10.09.00_60/ |
| TTC | TS-3GA-29.328(Rel10)v10.9.0 | 10.9.0 | Approved | Jun 13 | http://www.ttc.or.jp/jp/document_list/free/3gpps2013/TS/TS-3GA-29.328(Rel10)v10.9.0.pdf |

Release 11

| | | | | | |
|------|-----------------------------|---------|-----------|--------|---|
| ATIS | ATIS.3GPP.29.328V1170-2014 | 11.7.0 | Approved | May 14 | https://www.atis.org/docstore/default.aspx |
| CCSA | CCSA-TSD-TDD-29.328 | 11.11.0 | Published | Jun 14 | http://www.ccsa.org.cn/english/tc/files.php?docpath=/ITU-R/M.1457/M.1457-12/TDD |
| ETSI | ETSI TS 129 328 | 11.7.0 | Published | Apr 13 | http://www.etsi.org/deliver/etsi_ts/129300_129399/129328/11.07.00_60/ |
| TTC | TS-3GA-29.328(Rel11)v11.7.0 | 11.7.0 | Approved | Jun 13 | http://www.ttc.or.jp/jp/document_list/free/3gpps2013/TS/TS-3GA-29.328(Rel11)v11.7.0.pdf |

5.3.2.12.166 TS 29.329**Sh interface based on the Diameter protocol; Protocol details**

This document defines a transport protocol for use in the IP multimedia (IM) Core Network (CN) subsystem based on Diameter and is applicable to:

- the Sh interface between an AS and the HSS;
- the Sh interface between an SCS and the HSS.

Whenever it is possible this document specifies the requirements for this protocol by reference to specifications produced by the IETF within the scope of Diameter. Where this is not possible, extensions to Diameter are defined within this document.

| SDO (2) | Document No. | Version | Status | Issued date | Location (1) |
|------------------|---------------------|---------|-----------|-------------|---|
| Release 5 | | | | | |
| CCSA | CCSA-TSD-TDD-29.329 | 5.11.0 | Published | Jun 12 | http://www.ccsa.org.cn/english/tc/files.php?docpath=/ITU-R/M.1457/M.1457-12/TDD |

| | | | | | |
|-------------------|-----------------------------|--------|-----------|--------|---|
| ETSI | ETSI TS 129 329 | 5.11.0 | Published | Oct 05 | http://www.etsi.org/deliver/etsi_ts/129300_129399/129329/05.11.00_60/ |
| TTC | TS-3GA-29.329(Rel5)v5.11.0 | 5.11.0 | Approved | Nov 05 | http://www.ttc.or.jp/j/document_list/free/TS/TS-3GA-29.329(Rel5)v5.11.0.pdf |
| Release 6 | | | | | |
| CCSA | CCSA-TSD-TDD-29.329 | 6.7.0 | Published | Jun 12 | http://www.ccsa.org.cn/english/tc/files.php?docpath=/ITU-R/M.1457/M.1457-12/TDD |
| ETSI | ETSI TS 129 329 | 6.7.0 | Published | Oct 06 | http://www.etsi.org/deliver/etsi_ts/129300_129399/129329/06.07.00_60/ |
| TTC | TS-3GA-29.329(Rel6)v6.7.0 | 6.7.0 | Approved | Mar 07 | http://www.ttc.or.jp/j/document_list/free/TS/TS-3GA-29.329(Rel6)v6.7.0.pdf |
| Release 7 | | | | | |
| CCSA | CCSA-TSD-TDD-29.329 | 7.8.0 | Published | Jun 12 | http://www.ccsa.org.cn/english/tc/files.php?docpath=/ITU-R/M.1457/M.1457-12/TDD |
| ETSI | ETSI TS 129 329 | 7.8.0 | Published | Apr 09 | http://www.etsi.org/deliver/etsi_ts/129300_129399/129329/07.08.00_60/ |
| TTC | TS-3GA-29.329(Rel7)v7.8.0 | 7.8.0 | Approved | Jul 09 | http://www.ttc.or.jp/j/document_list/free/3gpps2009/TS/TS-3GA-29.329(Rel7)v7.8.0.pdf |
| Release 8 | | | | | |
| CCSA | CCSA-TSD-TDD-29.329 | 8.9.0 | Published | Jun 12 | http://www.ccsa.org.cn/english/tc/files.php?docpath=/ITU-R/M.1457/M.1457-12/TDD |
| ETSI | ETSI TS 129 329 | 8.9.0 | Published | Jan 12 | http://www.etsi.org/deliver/etsi_ts/129300_129399/129329/08.09.00_60/ |
| TTC | TS-3GA-29.329(Rel8)v8.9.0 | 8.9.0 | Approved | Feb 12 | http://www.ttc.or.jp/j/document_list/free/3gpps2012/TS/TS-3GA-29.329(Rel8)v8.9.0.pdf |
| Release 9 | | | | | |
| ATIS | ATIS.3GPP.29.329V950-2014 | 9.5.0 | Approved | May 14 | https://www.atis.org/docstore/default.aspx |
| CCSA | CCSA-TSD-TDD-29.329 | 9.5.0 | Published | Jun 12 | http://www.ccsa.org.cn/english/tc/files.php?docpath=/ITU-R/M.1457/M.1457-12/TDD |
| ETSI | ETSI TS 129 329 | 9.5.0 | Published | Jan 12 | http://www.etsi.org/deliver/etsi_ts/129300_129399/129329/09.05.00_60/ |
| TTC | TS-3GA-29.329(Rel9)v9.5.0 | 9.5.0 | Approved | Feb 12 | http://www.ttc.or.jp/j/document_list/free/3gpps2012/TS/TS-3GA-29.329(Rel9)v9.5.0.pdf |
| Release 10 | | | | | |
| ATIS | ATIS.3GPP.29.329V1050-2014 | 10.5.0 | Approved | May 14 | https://www.atis.org/docstore/default.aspx |
| CCSA | CCSA-TSD-TDD-29.329 | 10.4.0 | Published | Jun 12 | http://www.ccsa.org.cn/english/tc/files.php?docpath=/ITU-R/M.1457/M.1457-12/TDD |
| ETSI | ETSI TS 129 329 | 10.5.0 | Published | Apr 13 | http://www.etsi.org/deliver/etsi_ts/129300_129399/129329/10.05.00_60/ |
| TTC | TS-3GA-29.329(Rel10)v10.5.0 | 10.5.0 | Approved | Jun 13 | http://www.ttc.or.jp/j/document_list/free/3gpps2013/TS/TS-3GA-29.329(Rel10)v10.5.0.pdf |
| Release 11 | | | | | |
| ATIS | ATIS.3GPP.29.329V1160-2014 | 11.6.0 | Approved | May 14 | https://www.atis.org/docstore/default.aspx |
| CCSA | CCSA-TSD-TDD-29.329 | 11.7.0 | Published | Jun 14 | http://www.ccsa.org.cn/english/tc/files.php?docpath=/ITU-R/M.1457/M.1457-12/TDD |
| ETSI | ETSI TS 129 329 | 11.6.0 | Published | Apr 13 | http://www.etsi.org/deliver/etsi_ts/129300_129399/129329/11.06.00_60/ |
| TTC | TS-3GA-29.329(Rel11)v11.6.0 | 11.6.0 | Approved | Jun 13 | http://www.ttc.or.jp/j/document_list/free/3gpps2013/TS/TS-3GA-29.329(Rel11)v11.6.0.pdf |

5.3.2.12.167 TS 29.332

Media Gateway Control Function (MGCF) – IM Media Gateway; Mn interface

This document describes the protocol to be used on the Media Gateway Control Function (MGCF) – IM Media Gateway (IM-MGW) interface. This interface provides the Media Gateway Control for interworking between the IP Multimedia Subsystem (IMS) and CS domain (ISUP, BICC and SIP-I). The basis for this protocol is the H.248 protocol. The IMS architecture is described in 3GPP TS 23.228. The interaction of the MGCF-IM MGW interface signalling procedures in relation to the SIP, and BICC/ISUP signalling at the MGCF are described in 3GPP TS 29.163.

The interaction of the MGCF-IM MGW interface signalling procedures in relation to the IMS SIP and SIP-I on Nc at the MGCF are described in 3GPP TS 29.235.

This specification describes the application of H.248 on the Mn interface. Required extensions use the H.248 standard extension mechanism. In addition certain aspects of the base protocol H.248 are not needed for this interface and thus excluded by this profile.

In addition this profile provides support for PSTN/ISDN Emulation as required by ETSI TISPAN.

The main body of the specification provides an introduction to the use of the profile for the Mn interface and introduces any specific functionality (e.g. new packages) associated with the Mn.

| SDO (2) | Document No. | Version | Status | Issued date | Location (1) |
|-------------------|-----------------------------|---------|-----------|-------------|---|
| Release 6 | | | | | |
| CCSA | CCSA-TSD-TDD-29.332 | 6.14.0 | Published | Jun 12 | http://www.ccsa.org.cn/english/tc/files.php?docpath=/ITU-R/M.1457/M.1457-12/TDD |
| ETSI | ETSI TS 129 332 | 6.14.0 | Published | Jan 10 | http://www.etsi.org/deliver/etsi_ts/129300_129399/129332/06.14.00_60/ |
| TTC | TS-3GA-29.332(Rel6)v6.14.0 | 6.14.0 | Approved | Apr 10 | http://www.ttc.or.jp/j/document_list/free/3gpps2010/TS/TS-3GA-29.332(Rel6)v6.14.0.pdf |
| Release 7 | | | | | |
| CCSA | CCSA-TSD-TDD-29.332 | 7.12.0 | Published | Jun 12 | http://www.ccsa.org.cn/english/tc/files.php?docpath=/ITU-R/M.1457/M.1457-12/TDD |
| ETSI | ETSI TS 129 332 | 7.12.0 | Published | Jan 10 | http://www.etsi.org/deliver/etsi_ts/129300_129399/129332/07.12.00_60/ |
| TTC | TS-3GA-29.332(Rel7)v7.12.0 | 7.12.0 | Approved | Apr 10 | http://www.ttc.or.jp/j/document_list/free/3gpps2010/TS/TS-3GA-29.332(Rel7)v7.12.0.pdf |
| Release 8 | | | | | |
| CSA | CCSA-TSD-TDD-29.332 | 8.10.0 | Published | Jun 12 | http://www.ccsa.org.cn/english/tc/files.php?docpath=/ITU-R/M.1457/M.1457-12/TDD |
| ETSI | ETSI TS 129 332 | 8.12.0 | Published | Apr 13 | http://www.etsi.org/deliver/etsi_ts/129300_129399/129332/08.12.00_60/ |
| TTC | TS-3GA-29.332(Rel8)v8.12.0 | 8.12.0 | Approved | Jun 13 | http://www.ttc.or.jp/j/document_list/free/3gpps2013/TS/TS-3GA-29.332(Rel8)v8.12.0.pdf |
| Release 9 | | | | | |
| ATIS | ATIS.3GPP.29.332V950-2014 | 9.5.0 | Approved | May 14 | https://www.atis.org/docstore/default.aspx |
| CCSA | CCSA-TSD-TDD-29.332 | 9.3.0 | Published | Jun 12 | http://www.ccsa.org.cn/english/tc/files.php?docpath=/ITU-R/M.1457/M.1457-12/TDD |
| ETSI | ETSI TS 129 332 | 9.5.0 | Published | Apr 13 | http://www.etsi.org/deliver/etsi_ts/129300_129399/129332/09.05.00_60/ |
| TTC | TS-3GA-29.332(Rel9)v9.5.0 | 9.5.0 | Approved | Jun 13 | http://www.ttc.or.jp/j/document_list/free/3gpps2013/TS/TS-3GA-29.332(Rel9)v9.5.0.pdf |
| Release 10 | | | | | |
| ATIS | ATIS.3GPP.29.332V1070-2014 | 10.7.0 | Approved | May 14 | https://www.atis.org/docstore/default.aspx |
| CCSA | CCSA-TSD-TDD-29.332 | 10.3.0 | Published | Jun 12 | http://www.ccsa.org.cn/english/tc/files.php?docpath=/ITU-R/M.1457/M.1457-12/TDD |
| ETSI | ETSI TS 129 332 | 10.7.0 | Published | Apr 13 | http://www.etsi.org/deliver/etsi_ts/129300_129399/129332/10.07.00_60/ |
| TTC | TS-3GA-29.332(Rel10)v10.7.0 | 10.7.0 | Approved | Jun 13 | http://www.ttc.or.jp/jp/document_list/free/3gpps2013/TS/TS-3GA-29.332(Rel10)v10.7.0.pdf |
| Release 11 | | | | | |
| ATIS | ATIS.3GPP.29.332V1120-2014 | 11.2.0 | Approved | May 14 | https://www.atis.org/docstore/default.aspx |
| CCSA | CCSA-TSD-TDD-29.332 | 11.3.0 | Published | Jun 14 | http://www.ccsa.org.cn/english/tc/files.php?docpath=/ITU-R/M.1457/M.1457-12/TDD |
| ETSI | ETSI TS 129 332 | 11.2.0 | Published | Apr 13 | http://www.etsi.org/deliver/etsi_ts/129300_129399/129332/11.02.00_60/ |
| TTC | TS-3GA-29.332(Rel11)v11.2.0 | 11.2.0 | Approved | Jun 13 | http://www.ttc.or.jp/jp/document_list/free/3gpps2013/TS/TS-3GA-29.332(Rel11)v11.2.0.pdf |

5.3.2.12.168 TS 29.333

Multimedia Resource Function Controller (MRFC) – Multimedia Resource Function Processor (MRFP) Mp interface; Stage 3

This document describes the protocol to be used on the Multimedia Resource Function Controller (MRFC) – Multimedia Resource Function Processor (MRFP) interface (Mp interface). The IMS architecture is described in 3GPP TS 23.228, the functional requirements are described in 3G TS 23.333.

This specification defines a profile of the Gateway Control Protocol (H.248.1) for controlling Multimedia Resource Function Processor supporting in-band user interaction, conferencing and transcoding for multimedia-services.

| SDO (2) | Document No. | Version | Status | Issued date | Location (1) |
|-------------------|-----------------------------|---------|-----------|-------------|---|
| Release 7 | | | | | |
| CCSA | CCSA-TSD-TDD-29.333 | 7.5.0 | Published | Jun 12 | http://www.ccsa.org.cn/english/tc/files.php?docpath=/ITU-R/M.1457/M.1457-12/TDD |
| ETSI | ETSI TS 129 333 | 7.5.0 | Published | Apr 09 | http://www.etsi.org/deliver/etsi_ts/129300_129399/129333/07.05.00_60/ |
| TTC | TS-3GA-29.333(Rel7)v7.5.0 | 7.5.0 | Approved | Jul 09 | http://www.ttc.or.jp/j/document_list/free/3gpps2009/TS/TS-3GA-29.333(Rel7)v7.5.0.pdf |
| Release 8 | | | | | |
| CCSA | CCSA-TSD-TDD-29.333 | 8.5.0 | Published | Jun 12 | http://www.ccsa.org.cn/english/tc/files.php?docpath=/ITU-R/M.1457/M.1457-12/TDD |
| ETSI | ETSI TS 129 333 | 8.7.0 | Published | Apr 13 | http://www.etsi.org/deliver/etsi_ts/129300_129399/129333/08.07.00_60/ |
| TTC | TS-3GA-29.333(Rel8)v8.7.0 | 8.7.0 | Approved | Jun 13 | http://www.ttc.or.jp/j/document_list/free/3gpps2013/TS/TS-3GA-29.333(Rel8)v8.7.0.pdf |
| Release 9 | | | | | |
| ATIS | ATIS.3GPP.29.333V930-2014 | 9.3.0 | Approved | May 14 | https://www.atis.org/docstore/default.aspx |
| CCSA | CCSA-TSD-TDD-29.333 | 9.1.0 | Published | Jun 12 | http://www.ccsa.org.cn/english/tc/files.php?docpath=/ITU-R/M.1457/M.1457-12/TDD |
| ETSI | ETSI TS 129 333 | 9.3.0 | Published | Apr 13 | http://www.etsi.org/deliver/etsi_ts/129300_129399/129333/09.03.00_60/ |
| TTC | TS-3GA-29.333(Rel9)v9.3.0 | 9.3.0 | Approved | Jun 13 | http://www.ttc.or.jp/j/document_list/free/3gpps2013/TS/TS-3GA-29.333(Rel9)v9.3.0.pdf |
| Release 10 | | | | | |
| ATIS | ATIS.3GPP.29.333V1060-2014 | 10.6.0 | Approved | May 14 | https://www.atis.org/docstore/default.aspx |
| CCSA | CCSA-TSD-TDD-29.333 | 10.2.0 | Published | Jun 12 | http://www.ccsa.org.cn/english/tc/files.php?docpath=/ITU-R/M.1457/M.1457-12/TDD |
| ETSI | ETSI TS 129 333 | 10.6.0 | Published | Apr 13 | http://www.etsi.org/deliver/etsi_ts/129300_129399/129333/10.06.00_60/ |
| TTC | TS-3GA-29.333(Rel10)v10.6.0 | 10.6.0 | Approved | Jun 13 | http://www.ttc.or.jp/jp/document_list/free/3gpps2013/TS/TS-3GA-29.333(Rel10)v10.6.0.pdf |
| Release 11 | | | | | |
| ATIS | ATIS.3GPP.29.333V1120-2014 | 11.2.0 | Approved | May 14 | https://www.atis.org/docstore/default.aspx |
| CCSA | CCSA-TSD-TDD-29.333 | 11.3.0 | Published | Jun 14 | http://www.ccsa.org.cn/english/tc/files.php?docpath=/ITU-R/M.1457/M.1457-12/TDD |
| ETSI | ETSI TS 129 333 | 11.2.0 | Published | Apr 13 | http://www.etsi.org/deliver/etsi_ts/129300_129399/129333/11.02.00_60/ |
| TTC | TS-3GA-29.333(Rel11)v11.2.0 | 11.2.0 | Approved | Jun 13 | http://www.ttc.or.jp/jp/document_list/free/3gpps2013/TS/TS-3GA-29.333(Rel11)v11.2.0.pdf |

5.3.2.12.169 TS 29.334

IMS Application Level Gateway (IMS-ALG) – IMS Access Gateway (IMS-AGW); Iq Interface; Stage 3

This document describes the protocol to be used on the IMS Application Level Gateway (ALG) – IMS Access Gateway (IMS-AGW) interface. The basis for this protocol is the H.248 protocol as specified in ITU-T. The IMS architecture is described in 3GPP TS 23.228. The underlying reference model and stage 2 information is described in 3GPP TS 23.228 and in 3GPP TS 23.334. This specification describes the application of H.248 on the Iq interface. Required extensions use the H.248 standard extension mechanism. In addition certain aspects of the base protocol H.248 are not needed for this interface and thus excluded by this profile.

| SDO (2) | Document No. | Version | Status | Issued date | Location (1) |
|------------------|---------------------------|---------|----------|-------------|---|
| Release 9 | | | | | |
| ATIS | ATIS.3GPP.29.334V930-2012 | 9.3.0 | Approved | Jul 12 | https://www.atis.org/docstore/default.aspx |

| | | | | | |
|-------------------|-----------------------------|--------|-----------|--------|---|
| CCSA | CCSA-TSD-TDD-29.334 | 9.3.0 | Published | Jun 12 | http://www.ccsa.org.cn/english/tc/files.php?docpath=/ITU-R/M.1457/M.1457-12/TDD |
| ETSI | ETSI TS 129 334 | 9.3.0 | Published | Oct 10 | http://www.etsi.org/deliver/etsi_ts/129300_129399/129334/09.03.00_60/ |
| TTC | TS-3GA-29.334(Rel9)v9.3.0 | 9.3.0 | Approved | Dec 10 | http://www.ttc.or.jp/j/document_list/free/3gpps2010/TS/TS-3GA-29.334(Rel9)v9.3.0.pdf |
| Release 10 | | | | | |
| ATIS | ATIS.3GPP.29.334V1050-2014 | 10.5.0 | Approved | May 14 | https://www.atis.org/docstore/default.aspx |
| CCSA | CCSA-TSD-TDD-29.334 | 10.3.0 | Published | Jun 12 | http://www.ccsa.org.cn/english/tc/files.php?docpath=/ITU-R/M.1457/M.1457-12/TDD |
| ETSI | ETSI TS 129 334 | 10.5.0 | Published | Jan 13 | http://www.etsi.org/deliver/etsi_ts/129300_129399/129334/10.05.00_60/ |
| TTC | TS-3GA-29.334(Rel10)v10.5.0 | 10.5.0 | Approved | Jun 13 | http://www.ttc.or.jp/jp/document_list/free/3gpps2013/TS/TS-3GA-29.334(Rel10)v10.5.0.pdf |
| Release 11 | | | | | |
| ATIS | ATIS.3GPP.29.334V1110-2014 | 11.1.0 | Approved | May 14 | https://www.atis.org/docstore/default.aspx |
| CCSA | CCSA-TSD-TDD-29.334 | 11.3.0 | Published | Jun 14 | http://www.ccsa.org.cn/english/tc/files.php?docpath=/ITU-R/M.1457/M.1457-12/TDD |
| ETSI | ETSI TS 129 334 | 11.1.0 | Published | Jan 13 | http://www.etsi.org/deliver/etsi_ts/129300_129399/129334/11.01.00_60/ |
| TTC | TS-3GA-29.334(Rel11)v11.1.0 | 11.1.0 | Approved | Jun 13 | http://www.ttc.or.jp/jp/document_list/free/3gpps2013/TS/TS-3GA-29.334(Rel11)v11.1.0.pdf |

5.3.2.12.170 TS 29.335

User Data Convergence (UDC); User data repository access protocol over the Ud interface; Stage 3

This document describes the Stage 3 user data repository access protocol over Ud interface.

| SDO (2) | Document No. | Version | Status | Issued date | Location (1) |
|-------------------|-----------------------------|---------|-----------|-------------|---|
| Release 9 | | | | | |
| ATIS | ATIS.3GPP.29.335V941-2014 | 9.4.1 | Approved | May 14 | https://www.atis.org/docstore/default.aspx |
| CCSA | CCSA-TSD-TDD-29.335 | 9.3.0 | Published | Jun 12 | http://www.ccsa.org.cn/english/tc/files.php?docpath=/ITU-R/M.1457/M.1457-12/TDD |
| ETSI | ETSI TS 129 335 | 9.4.1 | Published | Apr 13 | http://www.etsi.org/deliver/etsi_ts/129300_129399/129335/09.04.01_60/ |
| TTC | TS-3GA-29.335(Rel9)v9.4.1 | 9.4.1 | Approved | Jun 13 | http://www.ttc.or.jp/j/document_list/free/3gpps2013/TS/TS-3GA-29.335(Rel9)v9.4.1.pdf |
| Release 10 | | | | | |
| ATIS | ATIS.3GPP.29.335V1020-2014 | 10.2.0 | Approved | May 14 | https://www.atis.org/docstore/default.aspx |
| CCSA | CCSA-TSD-TDD-29.335 | 10.1.0 | Published | Jun 12 | http://www.ccsa.org.cn/english/tc/files.php?docpath=/ITU-R/M.1457/M.1457-12/TDD |
| ETSI | ETSI TS 129 335 | 10.2.0 | Published | Jan 13 | http://www.etsi.org/deliver/etsi_ts/129300_129399/129335/10.02.00_60/ |
| TTC | TS-3GA-29.335(Rel10)v10.2.0 | 10.2.0 | Approved | Jun 13 | http://www.ttc.or.jp/jp/document_list/free/3gpps2013/TS/TS-3GA-29.335(Rel10)v10.2.0.pdf |
| Release 11 | | | | | |
| ATIS | ATIS.3GPP.29.335V1110-2014 | 11.1.0 | Approved | May 14 | https://www.atis.org/docstore/default.aspx |
| CCSA | CCSA-TSD-TDD-29.335 | 11.1.0 | Published | Jun 14 | http://www.ccsa.org.cn/english/tc/files.php?docpath=/ITU-R/M.1457/M.1457-12/TDD |
| ETSI | ETSI TS 129 335 | 11.1.0 | Published | Jan 13 | http://www.etsi.org/deliver/etsi_ts/129300_129399/129335/11.01.00_60/ |
| TTC | TS-3GA-29.335(Rel11)v11.1.0 | 11.1.0 | Approved | Jun 13 | http://www.ttc.or.jp/jp/document_list/free/3gpps2013/TS/TS-3GA-29.335(Rel11)v11.1.0.pdf |

5.3.2.12.171 TS 29.336

Home Subscriber Server (HSS) diameter interfaces for interworking with packet data networks and applications

This document describes the Diameter-based interfaces between the HSS and other network elements involved in the architecture for interworking with

packet data networks and applications, such as Machine-Type Communications (MTC). In particular, this document specifies the S6m interface between the Home Subscriber Server (HSS) and the MTC Interworking Function (MTC-IWF) and the S6n interface between the HSS and the MTC-AAA. The procedures over those interfaces are defined in 3GPP TS 23.682.

| SDO (2) | Document No. | Version | Status | Issued date | Location (1) |
|-------------------|-----------------------------|---------|-----------|-------------|---|
| Release 11 | | | | | |
| ATIS | ATIS.3GPP.29.336V1110-2014 | 11.1.0 | Approved | May 14 | https://www.atis.org/docstore/default.aspx |
| CCSA | CCSA-TSD-TDD-29.336 | 11.1.0 | Published | Jun 14 | http://www.ccsa.org.cn/english/tc/files.php?docpath=/ITU-R/M.1457/M.1457-12/TDD |
| TTC | TS-3GA-29.336(Rel11)v11.1.0 | 11.1.0 | Approved | Jun 13 | http://www.ttc.or.jp/j/document_list/free/3gpps2013/TS/TS-3GA-29.336(Rel11)v11.1.0.pdf |

5.3.2.12.172 TS 29.337

Diameter-based T4 Interface for communications with packet data networks and applications

This document describes the Diameter based interface between the Machine Type Communications-InterWorking Function (MTC-IWF) and the Short Message Service-Service Centre (SMS-SC) for communications with packet data networks and applications.

This specification defines the Diameter application for the T4 reference point between the MTC-IWF and the SMS-SC.

The interactions between the MTC-IWF and the SMS-SC are specified.

The stage 2 description for communications with packet data networks and applications (architecture and functionality) is specified in the 3GPP TS 23.682.

| SDO (2) | Document No. | Version | Status | Issued date | Location (1) |
|-------------------|-----------------------------|---------|-----------|-------------|---|
| Release 11 | | | | | |
| ATIS | ATIS.3GPP.29.337V1120-2014 | 11.2.0 | Approved | May 14 | https://www.atis.org/docstore/default.aspx |
| CCSA | CCSA-TSD-TDD-29.337 | 11.3.0 | Published | Jun 14 | http://www.ccsa.org.cn/english/tc/files.php?docpath=/ITU-R/M.1457/M.1457-12/TDD |
| TTC | TS-3GA-29.337(Rel11)v11.2.0 | 11.2.0 | Approved | Jun 13 | http://www.ttc.or.jp/jp/document_list/free/3gpps2013/TS/TS-3GA-29.337(Rel11)v11.2.0.pdf |

5.3.2.12.173 TS 29.338

Diameter based protocols to support Short Message Service (SMS) capable Mobile Management Entities (MMEs)

This document defines the Diameter-based interfaces specific to SMS when they are used in conjunction with the "SMS in MME" architecture specified in 3GPP TS 23.272. It comprises:

- the Diameter application for the S6c interface between the HSS and the SMS-GMSC or the SMS Router and between the SMS-GMSC and the SMS Router;
- the Diameter application for the SGd interface between the MME and the SMS-IWMSC or the SMS-GMSC or the SMS Router and between the SMS-GMSC and the SMS Router.

| SDO (2) | Document No. | Version | Status | Issued date | Location (1) |
|-------------------|----------------------------|---------|----------|-------------|---|
| Release 11 | | | | | |
| ATIS | ATIS.3GPP.29.338V1100-2014 | 11.0.0 | Approved | May 14 | https://www.atis.org/docstore/default.aspx |

| | | | | | |
|------|-----------------------------|--------|-----------|--------|---|
| CCSA | CCSA-TSD-TDD-29.338 | 11.1.0 | Published | Jun 14 | http://www.ccsa.org.cn/english/tc/files.php?docpath=/ITU-R/M.1457/M.1457-12/TDD |
| TTC | TS-3GA-29.338(Rel11)v11.0.0 | 11.0.0 | Approved | Jun 13 | http://www.ttc.or.jp/jp/document_list/free/3gpps2013/TS/TS-3GA-29.338(Rel11)v11.0.0.pdf |

5.3.2.12.174 TS 29.364

IP Multimedia Subsystem (IMS) Application Server (AS) service data descriptions for AS interoperability

This specification standardizes the structure and the coding of the service data that are transported over the Sh interface between an Application Server supporting Multimedia Telephony supplementary services as defined in 3GPP TS 22.173 and the HSS. Two optional formats are specified. One is based on a binary coding of the service data and supports the subset of MMTEL services corresponding to PSTN/ISDN and CS supplementary services. The other uses an XML format and supports the full set of MMTEL Services.

| SDO (2) | Document No. | Version | Status | Issued date | Location (1) |
|-------------------|-----------------------------|---------|-----------|-------------|---|
| Release 8 | | | | | |
| CCSA | CCSA-TSD-TDD-29.364 | 8.4.0 | Published | Jun 12 | http://www.ccsa.org.cn/english/tc/files.php?docpath=/ITU-R/M.1457/M.1457-12/TDD |
| ETSI | ETSI TS 129 364 | 8.6.0 | Published | Apr 13 | http://www.etsi.org/deliver/etsi_ts/129300_129399/129364/08.06.00_60/ |
| TTC | TS-3GA-29.364(Rel8)v8.6.0 | 8.6.0 | Approved | Jun 13 | http://www.ttc.or.jp/j/document_list/free/3gpps2013/TS/TS-3GA-29.364(Rel8)v8.6.0.pdf |
| Release 9 | | | | | |
| ATIS | ATIS.3GPP.29.364V931-2014 | 9.3.1 | Approved | May 14 | https://www.atis.org/docstore/default.aspx |
| CCSA | CCSA-TSD-TDD-29.364 | 9.1.0 | Published | Jun 12 | http://www.ccsa.org.cn/english/tc/files.php?docpath=/ITU-R/M.1457/M.1457-12/TDD |
| ETSI | ETSI TS 129 364 | 9.3.1 | Published | May 13 | http://www.etsi.org/deliver/etsi_ts/129300_129399/129364/09.03.01_60/ |
| TTC | TS-3GA-29.364(Rel9)v9.3.0 | 9.3.0 | Approved | Jun 13 | http://www.ttc.or.jp/j/document_list/free/3gpps2013/TS/TS-3GA-29.364(Rel9)v9.3.0.pdf |
| Release 10 | | | | | |
| ATIS | ATIS.3GPP.29.364V1030-2014 | 10.3.0 | Approved | May 14 | https://www.atis.org/docstore/default.aspx |
| CCSA | CCSA-TSD-TDD-29.364 | 10.1.0 | Published | Jun 12 | http://www.ccsa.org.cn/english/tc/files.php?docpath=/ITU-R/M.1457/M.1457-12/TDD |
| ETSI | ETSI TS 129 364 | 10.3.0 | Published | Apr 13 | http://www.etsi.org/deliver/etsi_ts/129300_129399/129364/10.03.00_60/ |
| TTC | TS-3GA-29.364(Rel10)v10.3.0 | 10.3.0 | Approved | Jun 13 | http://www.ttc.or.jp/j/document_list/free/3gpps2013/TS/TS-3GA-29.364(Rel10)v10.3.0.pdf |
| Release 11 | | | | | |
| ATIS | ATIS.3GPP.29.364V1120-2014 | 11.2.0 | Approved | May 14 | https://www.atis.org/docstore/default.aspx |
| CCSA | CCSA-TSD-TDD-29.364 | 11.2.0 | Published | Jun 14 | http://www.ccsa.org.cn/english/tc/files.php?docpath=/ITU-R/M.1457/M.1457-12/TDD |
| ETSI | ETSI TS 129 364 | 11.2.0 | Published | Apr 13 | http://www.etsi.org/deliver/etsi_ts/129300_129399/129364/11.02.00_60/ |
| TTC | TS-3GA-29.364(Rel11)v11.2.0 | 11.2.0 | Approved | Jun 13 | http://www.ttc.or.jp/j/document_list/free/3gpps2013/TS/TS-3GA-29.364(Rel11)v11.2.0.pdf |

5.3.2.12.175 TS 29.368

Tsp interface protocol between the MTC Interworking Function (MTC-IWF) and Service Capability Server (SCS)

This document provides the protocol specification related to the Tsp reference point which is part of the architecture for Machine Type Communication. The Tsp reference point lies between the Service Capability Server (SCS) and the Machine Type Communication Inter Working Function (MTC-IWF).

| SDO (2) | Document No. | Version | Status | Issued date | Location (1) |
|-------------------|----------------------------|---------|-----------|-------------|---|
| Release 11 | | | | | |
| ATIS | ATIS.3GPP.29.368V1120-2014 | 11.2.0 | Approved | May 14 | https://www.atis.org/docstore/default.aspx |
| CCSA | CCSA-TSD-TDD-29.368 | 11.4.0 | Published | Jun 14 | http://www.ccsa.org.cn/english/tc/files.php?docpath=/ITU-R/M.1457/M.1457-12/TDD |

5.3.2.12.176 TS 29.658**SIP Transfer of IP Multimedia Service Tariff Information; Protocol specification**

This document specifies the protocol for the real-time transfer of Tariff Information between a Charge Determination Point (CDP) and a Charge Generation Point (CGP) by means of the Session Initiation Protocol (SIP).

It identifies the protocol procedures and switching functions needed to support the transfer of tariff information related to IP multimedia services.

| SDO (2) | Document No. | Version | Status | Issued date | Location (1) |
|-------------------|----------------------------|---------|-----------|-------------|---|
| Release 8 | | | | | |
| CCSA | CCSA-TSD-TDD-29.658 | 8.5.0 | Published | Jun 14 | http://www.ccsa.org.cn/english/tc/files.php?docpath=/ITU-R/M.1457/M.1457-12/TDD |
| ETSI | ETSI TS 129 658 | 8.5.0 | Published | Jul 12 | http://www.etsi.org/deliver/etsi_ts/129600_129699/129658/08.05.00_60/ |
| Release 9 | | | | | |
| CCSA | CCSA-TSD-TDD-29.658 | 9.1.0 | Published | Jun 14 | http://www.ccsa.org.cn/english/tc/files.php?docpath=/ITU-R/M.1457/M.1457-12/TDD |
| ETSI | ETSI TS 129 658 | 9.1.0 | Published | Jul 12 | http://www.etsi.org/deliver/etsi_ts/129600_129699/129658/09.01.00_60/ |
| Release 10 | | | | | |
| CCSA | CCSA-TSD-TDD-29.658 | 10.1.0 | Published | Jun 14 | http://www.ccsa.org.cn/english/tc/files.php?docpath=/ITU-R/M.1457/M.1457-12/TDD |
| ETSI | ETSI TS 129 658 | 10.1.0 | Published | Jul 12 | http://www.etsi.org/deliver/etsi_ts/129600_129699/129658/10.01.00_60/ |
| Release 11 | | | | | |
| ATIS | ATIS.3GPP.29.658V1100-2014 | 11.0.0 | Approved | May 14 | https://www.atis.org/docstore/default.aspx |
| CCSA | CCSA-TSD-TDD-29.658 | 11.0.0 | Published | Jun 14 | http://www.ccsa.org.cn/english/tc/files.php?docpath=/ITU-R/M.1457/M.1457-12/TDD |
| ETSI | ETSI TS 129 658 | 11.0.0 | Published | Oct 12 | http://www.etsi.org/deliver/etsi_ts/129600_129699/129658/11.00.00_60/ |

5.3.2.12.177 TS 31.101**UICC-terminal interface; Physical and logical characteristics**

This document specifies the interface between the UICC and the Terminal for 3G telecom network operation. It specifies:

- the requirements for the physical characteristics of the UICC;
- the electrical interface between the UICC and the Terminal;
- the initial communication establishment and the transport protocols;
- the model which serves as a basis for the logical structure of the UICC;
- the communication commands and the procedures;
- the application independent files and protocols.

| SDO (2) | Document No. | Version | Status | Issued date | Location (1) |
|-------------------|--------------|---------|--------|-------------|--------------|
| Release 99 | | | | | |

| | | | | | |
|-------------------|----------------------------|--------|-----------|--------|---|
| ARIB | ARIB STD-T63-31.101 | 3.3.1 | Approved | Jul 13 | http://www.arib.or.jp/english/html/overview/doc/STD-T63v10_00/2_T63/ARIB-STD-T63/R99/31/A31101-331.pdf |
| ATIS | ATIS.3GPP.31.101V331-2006 | 3.3.1 | Approved | Apr 06 | https://www.atis.org/docstore/default.aspx |
| CCSA | CCSA-TSD-TDD-31.101 | 3.3.1 | Published | Jan 05 | http://www.ccsa.org.cn/english/tc/files.php?docpath=/ITU-R/M.1457/M.1457-12/TDD |
| ETSI | ETSI TS 131 101 | 3.3.1 | Published | Jan 05 | http://www.etsi.org/deliver/etsi_ts/131100_131199/131101/03.03.01_60/ |
| Release 4 | | | | | |
| ARIB | ARIB STD-T63-31.101 | 4.2.1 | Approved | Jul 13 | http://www.arib.or.jp/english/html/overview/doc/STD-T63v10_00/2_T63/ARIB-STD-T63/Rel4/31/A31101-421.pdf |
| ATIS | ATIS.3GPP.31.101V421-2006 | 4.2.1 | Approved | Apr 06 | https://www.atis.org/docstore/default.aspx |
| CCSA | CCSA-TSD-TDD-31.101 | 4.2.1 | Published | Jan 05 | http://www.ccsa.org.cn/english/tc/files.php?docpath=/ITU-R/M.1457/M.1457-12/TDD |
| ETSI | ETSI TS 131 101 | 4.2.1 | Published | Jan 05 | http://www.etsi.org/deliver/etsi_ts/131100_131199/131101/04.02.01_60/ |
| Release 5 | | | | | |
| ARIB | ARIB STD-T63-31.101 | 5.2.1 | Approved | Jul 13 | http://www.arib.or.jp/english/html/overview/doc/STD-T63v10_00/2_T63/ARIB-STD-T63/Rel5/31/A31101-521.pdf |
| ATIS | ATIS.3GPP.31.101V521-2006 | 5.2.1 | Approved | Apr 06 | https://www.atis.org/docstore/default.aspx |
| CCSA | CCSA-TSD-TDD-31.101 | 5.2.1 | Published | Jan 05 | http://www.ccsa.org.cn/english/tc/files.php?docpath=/ITU-R/M.1457/M.1457-12/TDD |
| ETSI | ETSI TS 131 101 | 5.2.1 | Published | Jan 05 | http://www.etsi.org/deliver/etsi_ts/131100_131199/131101/05.02.01_60/ |
| Release 6 | | | | | |
| ARIB | ARIB STD-T63-31.101 | 6.5.1 | Approved | Jul 13 | http://www.arib.or.jp/english/html/overview/doc/STD-T63v10_00/2_T63/ARIB-STD-T63/Rel6/31/A31101-651.pdf |
| ATIS | ATIS.3GPP.31.101V651-2007 | 6.5.1 | Approved | Oct 07 | https://www.atis.org/docstore/default.aspx |
| CCSA | CCSA-TSD-TDD-31.101 | 6.5.1 | Published | Jan 06 | http://www.ccsa.org.cn/english/tc/files.php?docpath=/ITU-R/M.1457/M.1457-12/TDD |
| ETSI | ETSI TS 131 101 | 6.5.1 | Published | Jan 06 | http://www.etsi.org/deliver/etsi_ts/131100_131199/131101/06.05.01_60/ |
| Release 7 | | | | | |
| ARIB | ARIB STD-T63-31.101 | 7.2.2 | Approved | Jul 13 | http://www.arib.or.jp/english/html/overview/doc/STD-T63v10_00/2_T63/ARIB-STD-T63/Rel7/31/A31101-722.pdf |
| ATIS | ATIS.3GPP.31.101V722-2012 | 7.2.2 | Approved | Jul 12 | https://www.atis.org/docstore/default.aspx |
| CCSA | CCSA-TSD-TDD-31.101 | 7.2.2 | Published | Jun 12 | http://www.ccsa.org.cn/english/tc/files.php?docpath=/ITU-R/M.1457/M.1457-12/TDD |
| ETSI | ETSI TS 131 101 | 7.2.2 | Published | Jul 11 | http://www.etsi.org/deliver/etsi_ts/131100_131199/131101/07.02.02_60/ |
| Release 8 | | | | | |
| ARIB | ARIB STD-T63-31.101 | 8.2.2 | Approved | Jul 13 | http://www.arib.or.jp/english/html/overview/doc/STD-T63v10_00/2_T63/ARIB-STD-T63/Rel8/31/A31101-822.pdf |
| ATIS | ATIS.3GPP.31.101V822-2012 | 8.2.2 | Approved | Jul 12 | https://www.atis.org/docstore/default.aspx |
| CCSA | CCSA-TSD-TDD-31.101 | 8.2.2 | Published | Jun 12 | http://www.ccsa.org.cn/english/tc/files.php?docpath=/ITU-R/M.1457/M.1457-12/TDD |
| ETSI | ETSI TS 131 101 | 8.2.2 | Published | Jul 11 | http://www.etsi.org/deliver/etsi_ts/131100_131199/131101/08.02.02_60/ |
| Release 9 | | | | | |
| ARIB | ARIB STD-T63-31.101 | 9.1.2 | Approved | Jul 13 | http://www.arib.or.jp/english/html/overview/doc/STD-T63v10_00/2_T63/ARIB-STD-T63/Rel9/31/A31101-912.pdf |
| ATIS | ATIS.3GPP.31.101V912-2012 | 9.1.2 | Approved | Jul 12 | https://www.atis.org/docstore/default.aspx |
| CCSA | CCSA-TSD-TDD-31.101 | 9.1.2 | Published | Jun 12 | http://www.ccsa.org.cn/english/tc/files.php?docpath=/ITU-R/M.1457/M.1457-12/TDD |
| ETSI | ETSI TS 131 101 | 9.1.2 | Published | Jul 11 | http://www.etsi.org/deliver/etsi_ts/131100_131199/131101/09.01.02_60/ |
| Release 10 | | | | | |
| ARIB | ARIB STD-T63-31.101 | 10.0.1 | Approved | Jul 13 | http://www.arib.or.jp/english/html/overview/doc/STD-T63v10_00/2_T63/ARIB-STD-T63/Rel10/31/A31101-a01.pdf |
| ATIS | ATIS.3GPP.31.101V1001-2012 | 10.0.1 | Approved | Jul 12 | https://www.atis.org/docstore/default.aspx |
| CCSA | CCSA-TSD-TDD-31.101 | 10.0.1 | Published | Jun 12 | http://www.ccsa.org.cn/english/tc/files.php?docpath=/ITU-R/M.1457/M.1457-12/TDD |
| ETSI | ETSI TS 131 101 | 10.0.1 | Published | Jul 11 | http://www.etsi.org/deliver/etsi_ts/131100_131199/131101/10.00.01_60/ |
| Release 11 | | | | | |
| ARIB | ARIB STD-T63-31.101 | 11.0.0 | Approved | Jul 13 | http://www.arib.or.jp/english/html/overview/doc/STD-T63v10_00/2_T63/ARIB-STD-T63/Rel11/31/A31101-b00.pdf |
| ATIS | ATIS.3GPP.31.101V1100-2014 | 11.0.0 | Approved | May 14 | https://www.atis.org/docstore/default.aspx |
| CCSA | CCSA-TSD-TDD-31.101 | 11.0.0 | Published | Jun 14 | http://www.ccsa.org.cn/english/tc/files.php?docpath=/ITU-R/M.1457/M.1457-12/TDD |
| ETSI | ETSI TS 131 101 | 11.0.0 | Published | Nov 12 | http://www.etsi.org/deliver/etsi_ts/131100_131199/131101/11.00.00_60/ |

5.3.2.12.178 TS 31.102

Characteristics of the Universal Subscriber Identity Module (USIM) application

This document defines the USIM application for 3G telecom network operation. It specifies:

- specific command parameters;
- file structures;
- contents of EFs (Elementary Files);
- security functions;
- application protocol to be used on the interface between UICC (USIM) and ME.

This is to ensure interoperability between a USIM and an ME independently of the respective manufacturer, card issuer or operator

| SDO (2) | Document No. | Version | Status | Issued date | Location (1) |
|-------------------|----------------------------|---------|-----------|-------------|---|
| Release 99 | | | | | |
| ARIB | ARIB STD-T63-31.102 | 3.18.0 | Approved | Jul 13 | http://www.arib.or.jp/english/html/overview/doc/STD-T63v10_00/2_T63/ARIB-STD-T63/R99/31/A31102-3i0.pdf |
| ATIS | ATIS.3GPP.31.102V3180-2006 | 3.18.0 | Approved | Apr 06 | https://www.atis.org/docstore/default.aspx |
| CCSA | CCSA-TSD-TDD-31.102 | 3.18.0 | Published | Jun 05 | http://www.ccsa.org.cn/english/tc/files.php?docpath=/ITU-R/M.1457/M.1457-12/TDD |
| ETSI | ETSI TS 131 102 | 3.18.0 | Published | Jun 05 | http://www.etsi.org/deliver/etsi_ts/131100_131199/131102/03.18.00_60/ |
| Release 4 | | | | | |
| ARIB | ARIB STD-T63-31.102 | 4.15.0 | Approved | Jul 13 | http://www.arib.or.jp/english/html/overview/doc/STD-T63v10_00/2_T63/ARIB-STD-T63/Rel4/31/A31102-4f0.pdf |
| ATIS | ATIS.3GPP.31.102V4150-2006 | 4.15.0 | Approved | Apr 06 | https://www.atis.org/docstore/default.aspx |
| CCSA | CCSA-TSD-TDD-31.102 | 4.15.0 | Published | Jun 05 | http://www.ccsa.org.cn/english/tc/files.php?docpath=/ITU-R/M.1457/M.1457-12/TDD |
| ETSI | ETSI TS 131 102 | 4.15.0 | Published | Jun 05 | http://www.etsi.org/deliver/etsi_ts/131100_131199/131102/04.15.00_60/ |
| Release 5 | | | | | |
| ARIB | ARIB STD-T63-31.102 | 5.15.0 | Approved | Jul 13 | http://www.arib.or.jp/english/html/overview/doc/STD-T63v10_00/2_T63/ARIB-STD-T63/Rel5/31/A31102-5f0.pdf |
| ATIS | ATIS.3GPP.31.102V5140-2006 | 5.14.0 | Approved | Apr 06 | https://www.atis.org/docstore/default.aspx |
| CCSA | CCSA-TSD-TDD-31.102 | 5.14.0 | Published | Oct 05 | http://www.ccsa.org.cn/english/tc/files.php?docpath=/ITU-R/M.1457/M.1457-12/TDD |
| ETSI | ETSI TS 131 102 | 5.15.0 | Published | Oct 12 | http://www.etsi.org/deliver/etsi_ts/131100_131199/131102/05.15.00_60/ |
| Release 6 | | | | | |
| ARIB | ARIB STD-T63-31.102 | 6.23.0 | Approved | Jul 13 | http://www.arib.or.jp/english/html/overview/doc/STD-T63v10_00/2_T63/ARIB-STD-T63/Rel6/31/A31102-6n0.pdf |
| ATIS | ATIS.3GPP.31.102V6210-2009 | 6.21.0 | Approved | Jul 09 | https://www.atis.org/docstore/default.aspx |
| CCSA | CCSA-TSD-TDD-31.102 | 6.21.0 | Published | Oct 08 | http://www.ccsa.org.cn/english/tc/files.php?docpath=/ITU-R/M.1457/M.1457-12/TDD |
| ETSI | ETSI TS 131 102 | 6.23.0 | Published | Jan 13 | http://www.etsi.org/deliver/etsi_ts/131100_131199/131102/06.23.00_60/ |
| Release 7 | | | | | |
| ARIB | ARIB STD-T63-31.102 | 7.17.0 | Approved | Jul 13 | http://www.arib.or.jp/english/html/overview/doc/STD-T63v10_00/2_T63/ARIB-STD-T63/Rel7/31/A31102-7h0.pdf |
| ATIS | ATIS.3GPP.31.102V7150-2010 | 7.15.0 | Approved | Jul 10 | https://www.atis.org/docstore/default.aspx |
| CCSA | CCSA-TSD-TDD-31.102 | 7.15.0 | Published | Mar 10 | http://www.ccsa.org.cn/english/tc/files.php?docpath=/ITU-R/M.1457/M.1457-12/TDD |
| ETSI | ETSI TS 131 102 | 7.17.0 | Published | Jan 13 | http://www.etsi.org/deliver/etsi_ts/131100_131199/131102/07.17.00_60/ |

Release 8

| | | | | | |
|------|----------------------------|--------|-----------|--------|---|
| ARIB | ARIB STD-T63-31.102 | 8.16.0 | Approved | Jul 13 | http://www.arib.or.jp/english/html/overview/doc/STD-T63v10_00/2_T63/ARIB-STD-T63/Rel8/31/A31102-8g0.pdf |
| ATIS | ATIS.3GPP.31.102V8160-2014 | 8.16.0 | Approved | May 14 | https://www.atis.org/docstore/default.aspx |
| CCSA | CCSA-TSD-TDD-31.102 | 8.14.0 | Published | Jun 12 | http://www.ccsa.org.cn/english/tc/files.php?docpath=/ITU-R/M.1457/M.1457-12/TDD |
| ETSI | ETSI TS 131 102 | 8.16.0 | Published | Jan 13 | http://www.etsi.org/deliver/etsi_ts/131100_131199/131102/08.16.00_60/ |

Release 9

| | | | | | |
|------|----------------------------|--------|-----------|--------|---|
| ARIB | ARIB STD-T63-31.102 | 9.12.0 | Approved | Jul 13 | http://www.arib.or.jp/english/html/overview/doc/STD-T63v10_00/2_T63/ARIB-STD-T63/Rel9/31/A31102-9c0.pdf |
| ATIS | ATIS.3GPP.31.102V9120-2014 | 9.12.0 | Approved | May 14 | https://www.atis.org/docstore/default.aspx |
| CCSA | CCSA-TSD-TDD-31.102 | 9.9.0 | Published | Jun 12 | http://www.ccsa.org.cn/english/tc/files.php?docpath=/ITU-R/M.1457/M.1457-12/TDD |
| ETSI | ETSI TS 131 102 | 9.12.0 | Published | Jan 13 | http://www.etsi.org/deliver/etsi_ts/131100_131199/131102/09.12.00_60/ |

Release 10

| | | | | | |
|------|----------------------------|--------|-----------|--------|---|
| ARIB | ARIB STD-T63-31.102 | 10.8.0 | Approved | Jul 13 | http://www.arib.or.jp/english/html/overview/doc/STD-T63v10_00/2_T63/ARIB-STD-T63/Rel10/31/A31102-a80.pdf |
| ATIS | ATIS.3GPP.31.102V1080-2014 | 10.8.0 | Approved | May 14 | https://www.atis.org/docstore/default.aspx |
| CCSA | CCSA-TSD-TDD-31.102 | 10.4.0 | Published | Jun 12 | http://www.ccsa.org.cn/english/tc/files.php?docpath=/ITU-R/M.1457/M.1457-12/TDD |
| ETSI | ETSI TS 131 102 | 10.8.0 | Published | Jan 13 | http://www.etsi.org/deliver/etsi_ts/131100_131199/131102/10.08.00_60/ |

Release 11

| | | | | | |
|------|----------------------------|--------|-----------|--------|---|
| ARIB | ARIB STD-T63-31.102 | 11.4.0 | Approved | Jul 13 | http://www.arib.or.jp/english/html/overview/doc/STD-T63v10_00/2_T63/ARIB-STD-T63/Rel11/31/A31102-b40.pdf |
| ATIS | ATIS.3GPP.31.102V1140-2014 | 11.4.0 | Approved | May 14 | https://www.atis.org/docstore/default.aspx |
| CCSA | CCSA-TSD-TDD-31.102 | 11.6.0 | Published | Jun 14 | http://www.ccsa.org.cn/english/tc/files.php?docpath=/ITU-R/M.1457/M.1457-12/TDD |
| ETSI | ETSI TS 131 102 | 11.4.0 | Published | Jan 13 | http://www.etsi.org/deliver/etsi_ts/131100_131199/131102/11.04.00_60/ |

5.3.2.12.179 TS 31.103**Characteristics of the IP Multimedia Services Identity Module (ISIM) application**

This document defines the ISIM application for access to IMS services. This document specifies:

- specific command parameters;
- file structures;
- contents of EFs (Elementary Files);
- security functions;
- application protocol to be used on the interface between UICC (ISIM) and Terminal.

This is to ensure interoperability between an ISIM and Terminal independently of the respective manufacturer, card issuer or operator.

This document does not define any aspects related to the administrative management phase of the ISIM. Any internal technical realization of either the ISIM or the Terminal is only specified where these are reflected over the interface. This document does not specify any of the security algorithms that may be used.

| SDO (2) | Document No. | Version | Status | Issued date | Location (1) |
|-------------------|----------------------------|---------|-----------|-------------|---|
| Release 5 | | | | | |
| ARIB | ARIB STD-T63-31.103 | 5.14.0 | Approved | Jul 13 | http://www.arib.or.jp/english/html/overview/doc/STD-T63v10_00/2_T63/ARIB-STD-T63/Rel5/31/A31103-5e0.pdf |
| ATIS | ATIS.3GPP.31.103V5140-2014 | 5.14.0 | Approved | May 14 | https://www.atis.org/docstore/default.aspx |
| CCSA | CCSA-TSD-TDD-31.103 | 5.13.1 | Published | Jul 07 | http://www.ccsa.org.cn/english/tc/files.php?docpath=/ITU-R/M.1457/M.1457-12/TDD |
| ETSI | ETSI TS 131 103 | 5.14.0 | Published | Jan 13 | http://www.etsi.org/deliver/etsi_ts/131100_131199/131103/05.14.00_60/ |
| Release 6 | | | | | |
| ARIB | ARIB STD-T63-31.103 | 6.14.0 | Approved | Jul 13 | http://www.arib.or.jp/english/html/overview/doc/STD-T63v10_00/2_T63/ARIB-STD-T63/Rel6/31/A31103-6e0.pdf |
| ATIS | ATIS.3GPP.31.103V6140-2014 | 6.14.0 | Approved | May 14 | https://www.atis.org/docstore/default.aspx |
| CCSA | CCSA-TSD-TDD-31.103 | 6.13.0 | Published | Oct 08 | http://www.ccsa.org.cn/english/tc/files.php?docpath=/ITU-R/M.1457/M.1457-12/TDD |
| ETSI | ETSI TS 131 103 | 6.14.0 | Published | Jan 13 | http://www.etsi.org/deliver/etsi_ts/131100_131199/131103/06.14.00_60/ |
| Release 7 | | | | | |
| ARIB | ARIB STD-T63-31.103 | 7.7.0 | Approved | Jul 13 | http://www.arib.or.jp/english/html/overview/doc/STD-T63v10_00/2_T63/ARIB-STD-T63/Rel7/31/A31103-770.pdf |
| ATIS | ATIS.3GPP.31.103V770-2014 | 7.7.0 | Approved | May 14 | https://www.atis.org/docstore/default.aspx |
| CCSA | CCSA-TSD-TDD-31.103 | 7.6.0 | Published | Mar 10 | http://www.ccsa.org.cn/english/tc/files.php?docpath=/ITU-R/M.1457/M.1457-12/TDD |
| ETSI | ETSI TS 131 103 | 7.7.0 | Published | Jan 13 | http://www.etsi.org/deliver/etsi_ts/131100_131199/131103/07.07.00_60/ |
| Release 8 | | | | | |
| ARIB | ARIB STD-T63-31.103 | 8.5.0 | Approved | Jul 13 | http://www.arib.or.jp/english/html/overview/doc/STD-T63v10_00/2_T63/ARIB-STD-T63/Rel8/31/A31103-850.pdf |
| ATIS | ATIS.3GPP.31.103V850-2014 | 8.5.0 | Approved | May 14 | https://www.atis.org/docstore/default.aspx |
| CCSA | CCSA-TSD-TDD-31.103 | 8.4.0 | Published | Jun 12 | http://www.ccsa.org.cn/english/tc/files.php?docpath=/ITU-R/M.1457/M.1457-12/TDD |
| ETSI | ETSI TS 131 103 | 8.5.0 | Published | Jan 13 | http://www.etsi.org/deliver/etsi_ts/131100_131199/131103/08.05.00_60/ |
| Release 9 | | | | | |
| ARIB | ARIB STD-T63-31.103 | 9.3.0 | Approved | Jul 13 | http://www.arib.or.jp/english/html/overview/doc/STD-T63v10_00/2_T63/ARIB-STD-T63/Rel9/31/A31103-930.pdf |
| ATIS | ATIS.3GPP.31.103V930-2014 | 9.3.0 | Approved | May 14 | https://www.atis.org/docstore/default.aspx |
| CCSA | CCSA-TSD-TDD-31.103 | 9.2.0 | Published | Jun 12 | http://www.ccsa.org.cn/english/tc/files.php?docpath=/ITU-R/M.1457/M.1457-12/TDD |
| ETSI | ETSI TS 131 103 | 9.3.0 | Published | Jan 13 | http://www.etsi.org/deliver/etsi_ts/131100_131199/131103/09.03.00_60/ |
| Release 10 | | | | | |
| ARIB | ARIB STD-T63-31.103 | 10.2.0 | Approved | Jul 13 | http://www.arib.or.jp/english/html/overview/doc/STD-T63v10_00/2_T63/ARIB-STD-T63/Rel10/31/A31103-a20.pdf |
| ATIS | ATIS.3GPP.31.103V1020-2014 | 10.2.0 | Approved | May 14 | https://www.atis.org/docstore/default.aspx |
| CCSA | CCSA-TSD-TDD-31.103 | 10.1.0 | Published | Jun 12 | http://www.ccsa.org.cn/english/tc/files.php?docpath=/ITU-R/M.1457/M.1457-12/TDD |
| ETSI | ETSI TS 131 103 | 10.2.0 | Published | Jan 13 | http://www.etsi.org/deliver/etsi_ts/131100_131199/131103/10.02.00_60/ |
| Release 11 | | | | | |
| ARIB | ARIB STD-T63-31.103 | 11.1.0 | Approved | Jul 13 | http://www.arib.or.jp/english/html/overview/doc/STD-T63v10_00/2_T63/ARIB-STD-T63/Rel11/31/A31103-b10.pdf |
| ATIS | ATIS.3GPP.31.103V1110-2014 | 11.1.0 | Approved | May 14 | https://www.atis.org/docstore/default.aspx |
| CCSA | CCSA-TSD-TDD-31.103 | 11.2.0 | Published | Jun 14 | http://www.ccsa.org.cn/english/tc/files.php?docpath=/ITU-R/M.1457/M.1457-12/TDD |
| ETSI | ETSI TS 131 103 | 11.1.0 | Published | Jan 13 | http://www.etsi.org/deliver/etsi_ts/131100_131199/131103/11.01.00_60/ |

5.3.2.12.180 TS 31.104

Hosting Party Subscription Identity Module (HPSIM) application

This document defines the Hosting Party Subscription Identity Module (HPSIM) application. This application resides on the UICC, an IC card specified in 3GPP TS 31.101.

3GPP TS 31.104 applies to a H(e)NB supporting the HPSIM for H(e)NB Hosting Party authentication and specifies:

- identification of the Hosting Party;
- security mechanism, e.g. authentication based on EAP-AKA method.

| SDO (2) | Document No. | Version | Status | Issued date | Location (1) |
|-------------------|----------------------------|---------|-----------|-------------|---|
| Release 11 | | | | | |
| ARIB | ARIB STD-T63-31.104 | 11.1.0 | Approved | Jul 13 | http://www.arib.or.jp/english/html/overview/doc/STD-T63v10_00/2_T63/ARIB-STD-T63/Rel11/31/A31104-b10.pdf |
| ATIS | ATIS.3GPP.31.104V1110-2014 | 11.1.0 | Approved | May 14 | https://www.atis.org/docstore/default.aspx |
| CCSA | CCSA-TSD-TDD-31.104 | 11.2.0 | Published | Jun 14 | http://www.ccsa.org.cn/english/tc/files.php?docpath=/ITU-R/M.1457/M.1457-12/TDD |

5.3.2.12.181 TS 31.111

Universal Subscriber Identity Module (USIM) Application Toolkit (USAT)

This document defines the ISIM application for access to IMS services. It specifies:

- specific command parameters;
- file structures;
- contents of EFs (Elementary Files);
- security functions;
- application protocol to be used on the interface between UICC (ISIM) and Terminal.

This is to ensure interoperability between an ISIM and Terminal independently of the respective manufacturer, card issuer or operator. This document defines the interface between the UICC and the Mobile Equipment (ME), and mandatory ME procedures, specifically for “USIM Application Toolkit”.

The document mainly refers to ETSI TS 102 223, which describes the generic aspects of application toolkits within the UICC. USAT is a set of commands and procedures for use during the network operation phase of 3G/LTE, in addition to those defined in TS 31.101.

Specifying the interface is to ensure interoperability between a UICC and an ME independently of the respective manufacturers and operators.

This document defines for 3G/LTE technology:

- the commands;
- the application protocol;
- the mandatory requirements on the UICC and ME for each procedure.

| SDO (2) | Document No. | Version | Status | Issued date | Location (1) |
|---------|--------------|---------|--------|-------------|--------------|
|---------|--------------|---------|--------|-------------|--------------|

Release 99

| | | | | | |
|------|----------------------------|--------|-----------|--------|---|
| ARIB | ARIB STD-T63-31.111 | 3.14.0 | Approved | Jul 13 | http://www.arib.or.jp/english/html/overview/doc/STD-T63v10_00/2_T63/ARIB-STD-T63/R99/31/A31111-3e0.pdf |
| ATIS | ATIS.3GPP.31.111V3140-2007 | 3.14.0 | Approved | Oct 07 | https://www.atis.org/docstore/default.aspx |
| CCSA | CCSA-TSD-TDD-31.111 | 3.14.0 | Published | Jun 07 | http://www.ccsa.org.cn/english/tc/files.php?docpath=/ITU-R/M.1457/M.1457-12/TDD |
| ETSI | ETSI TS 131 111 | 3.14.0 | Published | Jun 07 | http://www.etsi.org/deliver/etsi_ts/131100_131199/131111/03.14.00_60/ |

Release 4

| | | | | | |
|------|----------------------------|--------|-----------|--------|---|
| ARIB | ARIB STD-T63-31.111 | 4.17.0 | Approved | Jul 13 | http://www.arib.or.jp/english/html/overview/doc/STD-T63v10_00/2_T63/ARIB-STD-T63/Rel4/31/A31111-4h0.pdf |
| ATIS | ATIS.3GPP.31.111V4170-2010 | 4.17.0 | Approved | Jul 10 | https://www.atis.org/docstore/default.aspx |
| CCSA | CCSA-TSD-TDD-31.111 | 4.17.0 | Published | Mar 10 | http://www.ccsa.org.cn/english/tc/files.php?docpath=/ITU-R/M.1457/M.1457-12/TDD |
| ETSI | ETSI TS 131 111 | 4.17.0 | Published | Oct 09 | http://www.etsi.org/deliver/etsi_ts/131100_131199/131111/04.17.00_60/ |

Release 5

| | | | | | |
|------|----------------------------|--------|-----------|--------|---|
| ARIB | ARIB STD-T63-31.111 | 5.12.0 | Approved | Jul 13 | http://www.arib.or.jp/english/html/overview/doc/STD-T63v10_00/2_T63/ARIB-STD-T63/Rel5/31/A31111-5c0.pdf |
| ATIS | ATIS.3GPP.31.111V5120-2010 | 5.12.0 | Approved | Jul 10 | https://www.atis.org/docstore/default.aspx |
| CCSA | CCSA-TSD-TDD-31.111 | 5.12.0 | Published | Mar 10 | http://www.ccsa.org.cn/english/tc/files.php?docpath=/ITU-R/M.1457/M.1457-12/TDD |
| ETSI | ETSI TS 131 111 | 5.12.0 | Published | Oct 09 | http://www.etsi.org/deliver/etsi_ts/131100_131199/131111/05.12.00_60/ |

Release 6

| | | | | | |
|------|----------------------------|--------|-----------|--------|---|
| ARIB | ARIB STD-T63-31.111 | 6.15.0 | Approved | Jul 13 | http://www.arib.or.jp/english/html/overview/doc/STD-T63v10_00/2_T63/ARIB-STD-T63/Rel6/31/A31111-6f0.pdf |
| ATIS | ATIS.3GPP.31.111V6150-2014 | 6.15.0 | Approved | May 14 | https://www.atis.org/docstore/default.aspx |
| CCSA | CCSA-TSD-TDD-31.111 | 6.14.0 | Published | Jun 12 | http://www.ccsa.org.cn/english/tc/files.php?docpath=/ITU-R/M.1457/M.1457-12/TDD |
| ETSI | ETSI TS 131 111 | 6.15.0 | Published | Apr 12 | http://www.etsi.org/deliver/etsi_ts/131100_131199/131111/06.15.00_60/ |

Release 7

| | | | | | |
|------|----------------------------|--------|-----------|--------|---|
| ARIB | ARIB STD-T63-31.111 | 7.17.0 | Approved | Jul 13 | http://www.arib.or.jp/english/html/overview/doc/STD-T63v10_00/2_T63/ARIB-STD-T63/Rel7/31/A31111-7h0.pdf |
| ATIS | ATIS.3GPP.31.111V7170-2014 | 7.17.0 | Approved | May 14 | https://www.atis.org/docstore/default.aspx |
| CCSA | CCSA-TSD-TDD-31.111 | 7.16.0 | Published | Jun 12 | http://www.ccsa.org.cn/english/tc/files.php?docpath=/ITU-R/M.1457/M.1457-12/TDD |
| ETSI | ETSI TS 131 111 | 7.17.0 | Published | Mar 12 | http://www.etsi.org/deliver/etsi_ts/131100_131199/131111/07.17.00_60/ |

Release 8

| | | | | | |
|------|----------------------------|--------|-----------|--------|---|
| ARIB | ARIB STD-T63-31.111 | 8.14.0 | Approved | Jul 13 | http://www.arib.or.jp/english/html/overview/doc/STD-T63v10_00/2_T63/ARIB-STD-T63/Rel8/31/A31111-8e0.pdf |
| ATIS | ATIS.3GPP.31.111V8140-2014 | 8.14.0 | Approved | May 14 | https://www.atis.org/docstore/default.aspx |
| CCSA | CCSA-TSD-TDD-31.111 | 8.11.0 | Published | Jun 12 | http://www.ccsa.org.cn/english/tc/files.php?docpath=/ITU-R/M.1457/M.1457-12/TDD |
| ETSI | ETSI TS 131 111 | 8.14.0 | Published | Jan 13 | http://www.etsi.org/deliver/etsi_ts/131100_131199/131111/08.14.00_60/ |

Release 9

| | | | | | |
|------|----------------------------|--------|-----------|--------|---|
| ARIB | ARIB STD-T63-31.111 | 9.10.1 | Approved | Jul 13 | http://www.arib.or.jp/english/html/overview/doc/STD-T63v10_00/2_T63/ARIB-STD-T63/Rel9/31/A31111-9a1.pdf |
| ATIS | ATIS.3GPP.31.111V9101-2014 | 9.10.1 | Approved | May 14 | https://www.atis.org/docstore/default.aspx |
| CCSA | CCSA-TSD-TDD-31.111 | 9.6.0 | Published | Jun 12 | http://www.ccsa.org.cn/english/tc/files.php?docpath=/ITU-R/M.1457/M.1457-12/TDD |
| ETSI | ETSI TS 131 111 | 9.10.1 | Published | Apr 13 | http://www.etsi.org/deliver/etsi_ts/131100_131199/131111/09.10.01_60/ |

Release 10

| | | | | | |
|------|----------------------------|--------|-----------|--------|---|
| ARIB | ARIB STD-T63-31.111 | 10.9.0 | Approved | Jul 13 | http://www.arib.or.jp/english/html/overview/doc/STD-T63v10_00/2_T63/ARIB-STD-T63/Rel10/31/A31111-a90.pdf |
| ATIS | ATIS.3GPP.31.111V1090-2014 | 10.9.0 | Approved | May 14 | https://www.atis.org/docstore/default.aspx |
| CCSA | CCSA-TSD-TDD-31.111 | 10.5.0 | Published | Jun 12 | http://www.ccsa.org.cn/english/tc/files.php?docpath=/ITU-R/M.1457/M.1457-12/TDD |
| ETSI | ETSI TS 131 111 | 10.9.0 | Published | Jan 13 | http://www.etsi.org/deliver/etsi_ts/131100_131199/131111/10.09.00_60/ |

Release 11

| | | | | | |
|------|----------------------------|--------|----------|--------|---|
| ARIB | ARIB STD-T63-31.111 | 11.5.0 | Approved | Jul 13 | http://www.arib.or.jp/english/html/overview/doc/STD-T63v10_00/2_T63/ARIB-STD-T63/Rel11/31/A31111-b50.pdf |
| ATIS | ATIS.3GPP.31.111V1150-2014 | 11.5.0 | Approved | May 14 | https://www.atis.org/docstore/default.aspx |

| | | | | | |
|------|---------------------|--------|-----------|--------|---|
| CCSA | CCSA-TSD-TDD-31.111 | 11.8.0 | Published | Jun 14 | http://www.ccsa.org.cn/english/tc/files.php?docpath=/ITU-R/M.1457/M.1457-12/TDD |
| ETSI | ETSI TS 131 111 | 11.5.0 | Published | Apr 13 | http://www.etsi.org/deliver/etsi_ts/131100_131199/131111/11.05.00_60/ |

5.3.2.12.182 TS 31.115

Secured packet structure for (Universal) Subscriber Identity Module (U)SIM Toolkit applications

This document specifies the structure of the Secured Packets in implementations using Short Message Service Point to Point (SMS-PP), Short Message Service Cell Broadcast (SMS-CB), Unstructured Supplementary Service Data (USSD) and Hyper Text Transfer Protocol (HTTP) based on ETSI TS 102 225. The structure of the Secured Packets complies with the one defined in ETSI TS 102 225. This document only contains additional requirements or explicit limitations for SIM/USIM applications. It is applicable to the exchange of secured packets between an entity in a 3G or GSM PLMN and an entity in the (U)SIM. Secured Packets contain application messages to which certain mechanisms according to ETSI TS 102 224 have been applied. Application messages are commands or data exchanged between an application resident in or behind the PLMN and on the (U)SIM. The Sending/Receiving Entity in the 3G or GSM PLMN and the UICC are responsible for applying the security mechanisms to the application messages and thus turning them into Secured Packets.

| SDO (2) | Document No. | Version | Status | Issued date | Location (1) |
|-------------------|----------------------------|---------|-----------|-------------|---|
| Release 6 | | | | | |
| ARIB | ARIB STD-T63-31.115 | 6.5.0 | Approved | Jul 13 | http://www.arib.or.jp/english/html/overview/doc/STD-T63v10_00/2_T63/ARIB-STD-T63/Rel6/31/A31115-650.pdf |
| ATIS | ATIS.3GPP.31.115V650-2006 | 6.5.0 | Approved | Apr 06 | https://www.atis.org/docstore/default.aspx |
| CCSA | CCSA-TSD-TDD-31.115 | 6.5.0 | Published | Jun 05 | http://www.ccsa.org.cn/english/tc/files.php?docpath=/ITU-R/M.1457/M.1457-12/TDD |
| ETSI | ETSI TS 131 115 | 6.5.0 | Published | Jun 05 | http://www.etsi.org/deliver/etsi_ts/131100_131199/131115/06.05.00_60/ |
| Release 7 | | | | | |
| ARIB | ARIB STD-T63-31.115 | 7.3.0 | Approved | Jul 13 | http://www.arib.or.jp/english/html/overview/doc/STD-T63v10_00/2_T63/ARIB-STD-T63/Rel7/31/A31115-730.pdf |
| ATIS | ATIS.3GPP.31.115V730-2014 | 7.3.0 | Approved | May 14 | https://www.atis.org/docstore/default.aspx |
| CCSA | CCSA-TSD-TDD-31.115 | 7.2.0 | Published | Mar 10 | http://www.ccsa.org.cn/english/tc/files.php?docpath=/ITU-R/M.1457/M.1457-12/TDD |
| ETSI | ETSI TS 131 115 | 7.3.0 | Published | Apr 13 | http://www.etsi.org/deliver/etsi_ts/131100_131199/131115/07.03.00_60/ |
| Release 8 | | | | | |
| ARIB | ARIB STD-T63-31.115 | 8.2.0 | Approved | Jul 13 | http://www.arib.or.jp/english/html/overview/doc/STD-T63v10_00/2_T63/ARIB-STD-T63/Rel8/31/A31115-820.pdf |
| ATIS | ATIS.3GPP.31.115V820-2014 | 8.2.0 | Approved | May 14 | https://www.atis.org/docstore/default.aspx |
| CCSA | CCSA-TSD-TDD-31.115 | 8.1.0 | Published | Mar 10 | http://www.ccsa.org.cn/english/tc/files.php?docpath=/ITU-R/M.1457/M.1457-12/TDD |
| ETSI | ETSI TS 131 115 | 8.2.0 | Published | Mar 12 | http://www.etsi.org/deliver/etsi_ts/131100_131199/131115/08.02.00_60/ |
| Release 9 | | | | | |
| ARIB | ARIB STD-T63-31.115 | 9.1.0 | Approved | Jul 13 | http://www.arib.or.jp/english/html/overview/doc/STD-T63v10_00/2_T63/ARIB-STD-T63/Rel9/31/A31115-910.pdf |
| ATIS | ATIS.3GPP.31.115V910-2014 | 9.1.0 | Approved | May 14 | https://www.atis.org/docstore/default.aspx |
| CCSA | CCSA-TSD-TDD-31.115 | 9.0.0 | Published | Mar 10 | http://www.ccsa.org.cn/english/tc/files.php?docpath=/ITU-R/M.1457/M.1457-12/TDD |
| ETSI | ETSI TS 131 115 | 9.1.0 | Published | Mar 12 | http://www.etsi.org/deliver/etsi_ts/131100_131199/131115/09.01.00_60/ |
| Release 10 | | | | | |
| ARIB | ARIB STD-T63-31.115 | 10.1.0 | Approved | Jul 13 | http://www.arib.or.jp/english/html/overview/doc/STD-T63v10_00/2_T63/ARIB-STD-T63/Rel10/31/A31115-a10.pdf |
| ATIS | ATIS.3GPP.31.115V1010-2014 | 10.1.0 | Approved | May 14 | https://www.atis.org/docstore/default.aspx |
| CCSA | CCSA-TSD-TDD-31.115 | 10.0.0 | Published | Jun 12 | http://www.ccsa.org.cn/english/tc/files.php?docpath=/ITU-R/M.1457/M.1457-12/TDD |

| | | | | | |
|-------------------|----------------------------|--------|-----------|--------|---|
| ETSI | ETSI TS 131 115 | 10.1.0 | Published | Mar 12 | http://www.etsi.org/deliver/etsi_ts/131100_131199/131115/10.01.00_60/ |
| Release 11 | | | | | |
| ARIB | ARIB STD-T63-31.115 | 11.0.0 | Approved | Jul 13 | http://www.arib.or.jp/english/html/overview/doc/STD-T63v10_00/2_T63/ARIB-STD-T63/Rel11/31/A31115-b00.pdf |
| ATIS | ATIS.3GPP.31.115V1100-2014 | 11.0.0 | Approved | May 14 | https://www.atis.org/docstore/default.aspx |
| CCSA | CCSA-TSD-TDD-31.115 | 10.0.0 | Published | Jun 14 | http://www.ccsa.org.cn/english/tc/files.php?docpath=/ITU-R/M.1457/M.1457-12/TDD |
| ETSI | ETSI TS 131 115 | 11.0.0 | Published | Oct 12 | http://www.etsi.org/deliver/etsi_ts/131100_131199/131115/11.00.00_60/ |

5.3.2.12.183 TS 31.116

Remote APDU Structure for (U)SIM Toolkit applications

This document defines the remote management of files and applets on the SIM/USIM/ISIM. It describes the APDU format for remote management. Furthermore the document specifies:

- a set of commands coded according to this APDU structure and used in the remote file management on the SIM/USIM specified in TS 51.011, TS 31.101, TS 31.102, TS 31.103;
- a set of commands coded according to this APDU structure and used in the remote applet management on the SIM/USIM. This is based on ETSI TS 102 226.

The remote APDU structure for SIM/USIM/ISIM applications complies with the one defined in ETSI TS 102 226. This document only contains additional requirements or explicit limitations for SIM/USIM/ISIM applications.

| SDO (2) | Document No. | Version | Status | Issued date | Location (1) |
|------------------|---------------------------|---------|-----------|-------------|---|
| Release 6 | | | | | |
| ARIB | ARIB STD-T63-31.116 | 6.8.0 | Approved | Jul 13 | http://www.arib.or.jp/english/html/overview/doc/STD-T63v10_00/2_T63/ARIB-STD-T63/Rel6/31/A31116-680.pdf |
| CCSA | CCSA-TSD-TDD-31.116 | 6.8.0 | Published | Jun 05 | http://www.ccsa.org.cn/english/tc/files.php?docpath=/ITU-R/M.1457/M.1457-12/TDD |
| ETSI | ETSI TS 131 116 | 6.8.0 | Published | Jun 05 | http://www.etsi.org/deliver/etsi_ts/131100_131199/131116/06.08.00_60/ |
| Release 7 | | | | | |
| ARIB | ARIB STD-T63-31.116 | 7.1.0 | Approved | Jul 13 | http://www.arib.or.jp/english/html/overview/doc/STD-T63v10_00/2_T63/ARIB-STD-T63/Rel7/31/A31116-710.pdf |
| ATIS | ATIS.3GPP.31.116V710-2010 | 7.1.0 | Approved | Jul 10 | https://www.atis.org/docstore/default.aspx |
| CCSA | CCSA-TSD-TDD-31.116 | 7.1.0 | Published | Mar 10 | http://www.ccsa.org.cn/english/tc/files.php?docpath=/ITU-R/M.1457/M.1457-12/TDD |
| ETSI | ETSI TS 131 116 | 7.1.0 | Published | Jan 10 | http://www.etsi.org/deliver/etsi_ts/131100_131199/131116/07.01.00_60/ |
| Release 8 | | | | | |
| ARIB | ARIB STD-T63-31.116 | 8.2.0 | Approved | Jul 13 | http://www.arib.or.jp/english/html/overview/doc/STD-T63v10_00/2_T63/ARIB-STD-T63/Rel8/31/A31116-820.pdf |
| ATIS | ATIS.3GPP.31.116V820-2014 | 8.2.0 | Approved | May 14 | https://www.atis.org/docstore/default.aspx |
| CCSA | CCSA-TSD-TDD-31.116 | 8.1.0 | Published | Mar 10 | http://www.ccsa.org.cn/english/tc/files.php?docpath=/ITU-R/M.1457/M.1457-12/TDD |
| ETSI | ETSI TS 131 116 | 8.2.0 | Published | Mar 12 | http://www.etsi.org/deliver/etsi_ts/131100_131199/131116/08.02.00_60/ |
| Release 9 | | | | | |
| ARIB | ARIB STD-T63-31.116 | 9.3.0 | Approved | Jul 13 | http://www.arib.or.jp/english/html/overview/doc/STD-T63v10_00/2_T63/ARIB-STD-T63/Rel9/31/A31116-930.pdf |
| ATIS | ATIS.3GPP.31.116V930-2014 | 9.3.0 | Approved | May 14 | https://www.atis.org/docstore/default.aspx |
| CCSA | CCSA-TSD-TDD-31.116 | 9.1.0 | Published | Jun 12 | http://www.ccsa.org.cn/english/tc/files.php?docpath=/ITU-R/M.1457/M.1457-12/TDD |
| ETSI | ETSI TS 131 116 | 9.3.0 | Published | Oct 12 | http://www.etsi.org/deliver/etsi_ts/131100_131199/131116/09.03.00_60/ |

Release 10

| | | | | | |
|-------------------|----------------------------|--------|-----------|--------|---|
| ARIB | ARIB STD-T63-31.116 | 10.3.0 | Approved | Jul 13 | http://www.arib.or.jp/english/html/overview/doc/STD-T63v10_00/2_T63/ARIB-STD-T63/Rel10/31/A31116-a30.pdf |
| ATIS | ATIS.3GPP.31.116V1030-2014 | 10.3.0 | Approved | May 14 | https://www.atis.org/docstore/default.aspx |
| CCSA | CCSA-TSD-TDD-31.116 | 10.1.0 | Published | Jun 12 | http://www.ccsa.org.cn/english/tc/files.php?docpath=/ITU-R/M.1457/M.1457-12/TDD |
| ETSI | ETSI TS 131 116 | 10.3.0 | Published | Oct 12 | http://www.etsi.org/deliver/etsi_ts/131100_131199/131116/10.03.00_60/ |
| Release 11 | | | | | |
| ARIB | ARIB STD-T63-31.116 | 11.0.0 | Approved | Jul 13 | http://www.arib.or.jp/english/html/overview/doc/STD-T63v10_00/2_T63/ARIB-STD-T63/Rel11/31/A31116-b00.pdf |
| ATIS | ATIS.3GPP.31.116V1100-2014 | 11.0.0 | Approved | May 14 | https://www.atis.org/docstore/default.aspx |
| CCSA | CCSA-TSD-TDD-31.116 | 10.1.0 | Published | Jun 14 | http://www.ccsa.org.cn/english/tc/files.php?docpath=/ITU-R/M.1457/M.1457-12/TDD |
| ETSI | ETSI TS 131 116 | 11.0.0 | Published | Oct 12 | http://www.etsi.org/deliver/etsi_ts/131100_131199/131116/11.00.00_60/ |

5.3.2.12.184 TS 31.130

(U)SIM Application Programming Interface (API); (U)SIM API for Java Card

This document defines the (U)SIM Application Programming Interface extending the UICC API for Java Card, ETSI TS 102 241. This API allows the development of a (U)SAT application running together with a (U)SIM application and using GSM/3G network features.

| SDO (2) | Document No. | Version | Status | Issued date | Location (1) |
|-------------------|----------------------------|---------|-----------|-------------|---|
| Release 6 | | | | | |
| ARIB | ARIB STD-T63-31.130 | 6.7.0 | Approved | Jul 13 | http://www.arib.or.jp/english/html/overview/doc/STD-T63v10_00/2_T63/ARIB-STD-T63/Rel6/31/A31130-670.pdf |
| ATIS | ATIS.3GPP.31.130V670-2010 | 6.7.0 | Approved | Jul 10 | https://www.atis.org/docstore/default.aspx |
| CCSA | CCSA-TSD-TDD-31.130 | 6.7.0 | Published | Mar 10 | http://www.ccsa.org.cn/english/tc/files.php?docpath=/ITU-R/M.1457/M.1457-12/TDD |
| ETSI | ETSI TS 131 130 | 6.7.0 | Published | Oct 09 | http://www.etsi.org/deliver/etsi_ts/131100_131199/131130/06.07.00_60/ |
| Release 7 | | | | | |
| ARIB | ARIB STD-T63-31.130 | 7.9.0 | Approved | Jul 13 | http://www.arib.or.jp/english/html/overview/doc/STD-T63v10_00/2_T63/ARIB-STD-T63/Rel7/31/A31130-790.pdf |
| ATIS | ATIS.3GPP.31.130V790-2010 | 7.9.0 | Approved | Jul 10 | https://www.atis.org/docstore/default.aspx |
| CCSA | CCSA-TSD-TDD-31.130 | 7.9.0 | Published | Mar 10 | http://www.ccsa.org.cn/english/tc/files.php?docpath=/ITU-R/M.1457/M.1457-12/TDD |
| ETSI | ETSI TS 131 130 | 7.9.0 | Published | Feb 10 | http://www.etsi.org/deliver/etsi_ts/131100_131199/131130/07.09.00_60/ |
| Release 8 | | | | | |
| ARIB | ARIB STD-T63-31.130 | 8.3.0 | Approved | Jul 13 | http://www.arib.or.jp/english/html/overview/doc/STD-T63v10_00/2_T63/ARIB-STD-T63/Rel8/31/A31130-830.pdf |
| ATIS | ATIS.3GPP.31.130V830-2010 | 8.3.0 | Approved | Jul 10 | https://www.atis.org/docstore/default.aspx |
| CCSA | CCSA-TSD-TDD-31.130 | 8.3.0 | Published | Mar 10 | http://www.ccsa.org.cn/english/tc/files.php?docpath=/ITU-R/M.1457/M.1457-12/TDD |
| ETSI | ETSI TS 131 130 | 8.3.0 | Published | Feb 10 | http://www.etsi.org/deliver/etsi_ts/131100_131199/131130/08.03.00_60/ |
| Release 9 | | | | | |
| ARIB | ARIB STD-T63-31.130 | 9.4.0 | Approved | Jul 13 | http://www.arib.or.jp/english/html/overview/doc/STD-T63v10_00/2_T63/ARIB-STD-T63/Rel9/31/A31130-940.pdf |
| ATIS | ATIS.3GPP.31.130V940-2014 | 9.4.0 | Approved | May 14 | https://www.atis.org/docstore/default.aspx |
| CCSA | CCSA-TSD-TDD-31.130 | 9.3.0 | Published | Jun 12 | http://www.ccsa.org.cn/english/tc/files.php?docpath=/ITU-R/M.1457/M.1457-12/TDD |
| ETSI | ETSI TS 131 130 | 9.4.0 | Published | Apr 12 | http://www.etsi.org/deliver/etsi_ts/131100_131199/131130/09.04.00_60/ |
| Release 10 | | | | | |
| ARIB | ARIB STD-T63-31.130 | 10.4.0 | Approved | Jul 13 | http://www.arib.or.jp/english/html/overview/doc/STD-T63v10_00/2_T63/ARIB-STD-T63/Rel10/31/A31130-a40.pdf |
| ATIS | ATIS.3GPP.31.130V1040-2014 | 10.4.0 | Approved | May 14 | https://www.atis.org/docstore/default.aspx |
| CCSA | CCSA-TSD-TDD-31.130 | 10.2.0 | Published | Jun 12 | http://www.ccsa.org.cn/english/tc/files.php?docpath=/ITU-R/M.1457/M.1457-12/TDD |
| ETSI | ETSI TS 131 130 | 10.4.0 | Published | Aug 14 | http://www.etsi.org/deliver/etsi_ts/131100_131199/131130/10.04.00_60/ |
| Release 11 | | | | | |

| | | | | | |
|------|----------------------------|--------|-----------|--------|---|
| ARIB | ARIB STD-T63-31.130 | 11.0.0 | Approved | Jul 13 | http://www.arib.or.jp/english/html/overview/doc/STD-T63v10_00/2_T63/ARIB-STD-T63/Rel11/31/A31130-b00.pdf |
| ATIS | ATIS.3GPP.31.130V1100-2014 | 11.0.0 | Approved | May 14 | https://www.atis.org/docstore/default.aspx |
| CCSA | CCSA-TSD-TDD-31.130 | 10.2.0 | Published | Jun 14 | http://www.ccsa.org.cn/english/tc/files.php?docpath=/ITU-R/M.1457/M.1457-12/TDD |
| ETSI | ETSI TS 131 130 | 11.0.0 | Published | Apr 13 | http://www.etsi.org/deliver/etsi_ts/131100_131199/131130/11.00.00_60/ |

5.3.2.12.185 TS 31.133

IP Multimedia Services Identity Module (ISIM) Application Programming Interface (API); ISIM API for Java Card

This document defines the ISIM Application Programming Interface extending the UICC API for Java Card, ETSI TS 102 241. This API allows the development of an application running together with a ISIM application.

| SDO (2) | Document No. | Version | Status | Issued date | Location (1) |
|-------------------|----------------------------|---------|-----------|-------------|---|
| Release 7 | | | | | |
| ARIB | ARIB STD-T63-31.133 | 7.4.0 | Approved | Jul 13 | http://www.arib.or.jp/english/html/overview/doc/STD-T63v10_40/2_T63/ARIB-STD-T63/Rel7/31/A31133-740.pdf |
| CCSA | CCSA-TSD-TDD-31.133 | 7.4.0 | Published | Jun 12 | http://www.ccsa.org.cn/english/tc/files.php?docpath=/ITU-R/M.1457/M.1457-12/TDD |
| ETSI | ETSI TS 131 133 | 7.4.0 | Published | May 11 | http://www.etsi.org/deliver/etsi_ts/131100_131199/131133/07.04.00_60/ |
| Release 8 | | | | | |
| ARIB | ARIB STD-T63-31.133 | 8.2.0 | Approved | Jul 13 | http://www.arib.or.jp/english/html/overview/doc/STD-T63v10_40/2_T63/ARIB-STD-T63/Rel8/31/A31133-820.pdf |
| ATIS | ATIS.3GPP.31.133V820-2012 | 8.2.0 | Approved | Jul 12 | https://www.atis.org/docstore/default.aspx |
| CCSA | CCSA-TSD-TDD-31.133 | 8.2.0 | Published | Jun 12 | http://www.ccsa.org.cn/english/tc/files.php?docpath=/ITU-R/M.1457/M.1457-12/TDD |
| ETSI | ETSI TS 131 133 | 8.2.0 | Published | May 11 | http://www.etsi.org/deliver/etsi_ts/131100_131199/131133/08.02.00_60/ |
| Release 9 | | | | | |
| ARIB | ARIB STD-T63-31.133 | 9.2.0 | Approved | Jul 13 | http://www.arib.or.jp/english/html/overview/doc/STD-T63v10_40/2_T63/ARIB-STD-T63/Rel9/31/A31133-920.pdf |
| ATIS | ATIS.3GPP.31.133V920-2012 | 9.2.0 | Approved | Jul 12 | https://www.atis.org/docstore/default.aspx |
| CCSA | CCSA-TSD-TDD-31.133 | 9.2.0 | Published | Jun 12 | http://www.ccsa.org.cn/english/tc/files.php?docpath=/ITU-R/M.1457/M.1457-12/TDD |
| ETSI | ETSI TS 131 133 | 9.2.0 | Published | May 11 | http://www.etsi.org/deliver/etsi_ts/131100_131199/131133/09.02.00_60/ |
| Release 10 | | | | | |
| ARIB | ARIB STD-T63-31.133 | 10.0.0 | Approved | Jul 13 | http://www.arib.or.jp/english/html/overview/doc/STD-T63v10_30/2_T63/ARIB-STD-T63/Rel10/31/A31133-a00.pdf |
| ATIS | ATIS.3GPP.31.133V1000-2012 | 10.0.0 | Approved | Jul 12 | https://www.atis.org/docstore/default.aspx |
| CCSA | CCSA-TSD-TDD-31.133 | 10.0.0 | Published | Jun 12 | http://www.ccsa.org.cn/english/tc/files.php?docpath=/ITU-R/M.1457/M.1457-12/TDD |
| ETSI | ETSI TS 131 133 | 10.0.0 | Published | May 11 | http://www.etsi.org/deliver/etsi_ts/131100_131199/131133/10.00.00_60/ |
| Release 11 | | | | | |
| ARIB | ARIB STD-T63-31.133 | 11.0.0 | Approved | Jul 13 | http://www.arib.or.jp/english/html/overview/doc/STD-T63v10_00/2_T63/ARIB-STD-T63/Rel11/31/A31133-b00.pdf |
| ATIS | ATIS.3GPP.31.133V1100-2014 | 11.0.0 | Approved | May 14 | https://www.atis.org/docstore/default.aspx |
| CCSA | CCSA-TSD-TDD-31.133 | 11.0.0 | Published | Jun 14 | http://www.ccsa.org.cn/english/tc/files.php?docpath=/ITU-R/M.1457/M.1457-12/TDD |
| ETSI | ETSI TS 131 133 | 11.0.0 | Published | Nov 12 | http://www.etsi.org/deliver/etsi_ts/131100_131199/131133/11.00.00_60/ |

5.3.2.12.186 TS 31.220

Characteristics of the Contact Manager for 3GPP UICC applications

This document defines the Contact Manager for 3GPP UICC applications based on OMA DS. It specifies the external interface between the Contact Manager Server in the UICC and the Contact Manager External Client in the ME.

| SDO (2) | Document No. | Version | Status | Issued date | Location (1) |
|-------------------|----------------------------|---------|-----------|-------------|---|
| Release 8 | | | | | |
| ARIB | ARIB STD-T63-31.220 | 8.2.0 | Approved | Jul 13 | http://www.arib.or.jp/english/html/overview/doc/STD-T63v10_00/2_T63/ARIB-STD-T63/Rel8/31/A31220-820.pdf |
| ATIS | ATIS.3GPP.31.220V820-2010 | 8.2.0 | Approved | Jul 10 | https://www.atis.org/docstore/default.aspx |
| CCSA | CCSA-TSD-TDD-31.220 | 8.2.0 | Published | Jun 12 | http://www.ccsa.org.cn/english/tc/files.php?docpath=/ITU-R/M.1457/M.1457-12/TDD |
| ETSI | ETSI TS 131 220 | 8.2.0 | Published | Apr 10 | http://www.etsi.org/deliver/etsi_ts/131200_131299/131220/08.02.00_60/ |
| Release 9 | | | | | |
| ARIB | ARIB STD-T63-31.220 | 9.1.0 | Approved | Jul 13 | http://www.arib.or.jp/english/html/overview/doc/STD-T63v10_00/2_T63/ARIB-STD-T63/Rel9/31/A31220-910.pdf |
| ATIS | ATIS.3GPP.31.220V910-2010 | 9.1.0 | Approved | Jul 10 | https://www.atis.org/docstore/default.aspx |
| CCSA | CCSA-TSD-TDD-31.220 | 9.1.0 | Published | Jun 12 | http://www.ccsa.org.cn/english/tc/files.php?docpath=/ITU-R/M.1457/M.1457-12/TDD |
| ETSI | ETSI TS 131 220 | 9.1.0 | Published | Apr 10 | http://www.etsi.org/deliver/etsi_ts/131200_131299/131220/09.01.00_60/ |
| Release 10 | | | | | |
| ARIB | ARIB STD-T63-31.220 | 10.0.0 | Approved | Jul 13 | http://www.arib.or.jp/english/html/overview/doc/STD-T63v10_30/2_T63/ARIB-STD-T63/Rel10/31/A31220-a00.pdf |
| ATIS | ATIS.3GPP.31.220V1000-2012 | 10.0.0 | Approved | Jul 12 | https://www.atis.org/docstore/default.aspx |
| CCSA | CCSA-TSD-TDD-31.220 | 10.0.0 | Published | Jun 12 | http://www.ccsa.org.cn/english/tc/files.php?docpath=/ITU-R/M.1457/M.1457-12/TDD |
| ETSI | ETSI TS 131 220 | 10.0.0 | Published | May 11 | http://www.etsi.org/deliver/etsi_ts/131200_131299/131220/10.00.00_60/ |
| Release 11 | | | | | |
| ARIB | ARIB STD-T63-31.220 | 11.0.0 | Approved | Jul 13 | http://www.arib.or.jp/english/html/overview/doc/STD-T63v10_00/2_T63/ARIB-STD-T63/Rel11/31/A31220-b00.pdf |
| ATIS | ATIS.3GPP.31.220V1100-2014 | 11.0.0 | Approved | May 14 | https://www.atis.org/docstore/default.aspx |
| CCSA | CCSA-TSD-TDD-31.220 | 11.0.0 | Published | Jun 14 | http://www.ccsa.org.cn/english/tc/files.php?docpath=/ITU-R/M.1457/M.1457-12/TDD |
| ETSI | ETSI TS 131 220 | 11.0.0 | Published | Oct 12 | http://www.etsi.org/deliver/etsi_ts/131200_131299/131220/11.00.00_60/ |

5.3.2.12.187 TS 31.221

Contact Manager Application Programming Interface (API); Contact Manager API for Java Card

This document defines the internal interface characteristics of the Contact Manager for 3GPP UICC applications.

The internal interface between the Contact Manager Server application on the UICC and the Contact Manager Client application on the UICC enables Java Card platform based applets to invoke and register to the Contact Manager Server services. In particular, the Contact Manager Java Card based API provides methods to:

- Read/Update/Create/Delete contact(s) in the Contact Manager Server;
- Manage group of contacts in the Contact Manager Server;
- Search for a contact in the Contact Manager Server storage;
- Manage the contacts structure;
- Register/Un-register the application to pre-defined events (e.g. application to be notified when contacts are modified in the Contact Manager

| SDO (2) | Document No. | Version | Status | Issued date | Location (1) |
|---------|--------------|---------|--------|-------------|--------------|
|---------|--------------|---------|--------|-------------|--------------|

Release 8

| | | | | | |
|-------------------|----------------------------|--------|-----------|--------|---|
| ARIB | ARIB STD-T63-31.221 | 8.1.0 | Approved | Jul 13 | http://www.arib.or.jp/english/html/overview/doc/STD-T63v10_40/2_T63/ARIB-STD-T63/Rel8/31/A31221-810.pdf |
| CCSA | CCSA-TSD-TDD-31.221 | 8.1.0 | Published | Jun 12 | http://www.ccsa.org.cn/english/tc/files.php?docpath=/ITU-R/M.1457/M.1457-12/TDD |
| ETSI | ETSI TS 131 221 | 8.1.0 | Published | Oct 10 | http://www.etsi.org/deliver/etsi_ts/131200_131299/131221/08.01.00_60/ |
| Release 9 | | | | | |
| ARIB | ARIB STD-T63-31.221 | 9.1.0 | Approved | Jul 13 | http://www.arib.or.jp/english/html/overview/doc/STD-T63v10_40/2_T63/ARIB-STD-T63/Rel9/31/A31221-910.pdf |
| ATIS | ATIS.3GPP.31.221V910-2012 | 9.1.0 | Approved | Jul 12 | https://www.atis.org/docstore/default.aspx |
| CCSA | CCSA-TSD-TDD-31.221 | 9.1.0 | Published | Jun 12 | http://www.ccsa.org.cn/english/tc/files.php?docpath=/ITU-R/M.1457/M.1457-12/TDD |
| ETSI | ETSI TS 131 221 | 9.1.0 | Published | Jan 11 | http://www.etsi.org/deliver/etsi_ts/131200_131299/131221/09.01.00_60/ |
| Release 10 | | | | | |
| ARIB | ARIB STD-T63-31.221 | 10.0.0 | Approved | Jul 13 | http://www.arib.or.jp/english/html/overview/doc/STD-T63v10_30/2_T63/ARIB-STD-T63/Rel10/31/A31221-a00.pdf |
| ATIS | ATIS.3GPP.31.221V1000-2012 | 10.0.0 | Approved | Jul 12 | https://www.atis.org/docstore/default.aspx |
| CCSA | CCSA-TSD-TDD-31.221 | 10.0.0 | Published | Jun 12 | http://www.ccsa.org.cn/english/tc/files.php?docpath=/ITU-R/M.1457/M.1457-12/TDD |
| ETSI | ETSI TS 131 221 | 10.0.0 | Published | May 11 | http://www.etsi.org/deliver/etsi_ts/131200_131299/131221/10.00.00_60/ |
| Release 11 | | | | | |
| ARIB | ARIB STD-T63-31.221 | 11.0.0 | Approved | Jul 13 | http://www.arib.or.jp/english/html/overview/doc/STD-T63v10_00/2_T63/ARIB-STD-T63/Rel11/31/A31221-b00.pdf |
| ATIS | ATIS.3GPP.31.221V1100-2014 | 11.0.0 | Approved | May 14 | https://www.atis.org/docstore/default.aspx |
| CCSA | CCSA-TSD-TDD-31.221 | 11.0.0 | Published | Jun 14 | http://www.ccsa.org.cn/english/tc/files.php?docpath=/ITU-R/M.1457/M.1457-12/TDD |
| ETSI | ETSI TS 131 221 | 11.0.0 | Published | Nov 12 | http://www.etsi.org/deliver/etsi_ts/131200_131299/131221/11.00.00_60/ |

5.3.2.13 System aspects

IMT-2000 CDMA TDD specification also includes the following documents which are useful and related to this Recommendation.

5.3.2.13.1 TS 21.101

Technical Specifications and Technical Reports for a UTRAN-based 3GPP system

The listed Specifications are required to build a system based on UTRAN radio technology.

| SDO (2) | Document No. | Version | Status | Issued date | Location (1) |
|-------------------|----------------------------|---------|-----------|-------------|---|
| Release 99 | | | | | |
| ARIB | ARIB STD-T63-21.101 | 3.18.0 | Approved | Jul 13 | http://www.arib.or.jp/english/html/overview/doc/STD-T63v10_00/2_T63/ARIB-STD-T63/R99/21/A21101-3i0.pdf |
| CCSA | CCSA-TSD-TDD-21.101 | 3.18.0 | Published | Jun 12 | http://www.ccsa.org.cn/english/tc/files.php?docpath=/ITU-R/M.1457/M.1457-12/TDD |
| ETSI | ETSI TS 121 101 | 3.18.0 | Published | Jan 10 | http://www.etsi.org/deliver/etsi_ts/121100_121199/121101/03.18.00_60/ |
| TTC | TS-3GA-21.101(R99)v3.18.0 | 3.18.0 | Approved | Apr 10 | http://www.ttc.or.jp/j/document_list/free/3gpps2010/TS/TS-3GA-21.101(R99)v3.18.0.pdf |
| Release 4 | | | | | |
| ARIB | ARIB STD-T63-21.101 | 4.15.0 | Approved | Jul 13 | http://www.arib.or.jp/english/html/overview/doc/STD-T63v10_00/2_T63/ARIB-STD-T63/Rel4/21/A21101-4f0.pdf |
| CCSA | CCSA-TSD-TDD-21.101 | 4.15.0 | Published | Jun 12 | http://www.ccsa.org.cn/english/tc/files.php?docpath=/ITU-R/M.1457/M.1457-12/TDD |
| ETSI | ETSI TS 121 101 | 4.15.0 | Published | Jan 10 | http://www.etsi.org/deliver/etsi_ts/121100_121199/121101/04.15.00_60/ |
| TTC | TS-3GA-21.101(Rel4)v4.15.0 | 4.15.0 | Approved | Apr 10 | http://www.ttc.or.jp/j/document_list/free/3gpps2010/TS/TS-3GA-21.101(Rel4)v4.15.0.pdf |
| Release 5 | | | | | |
| ARIB | ARIB STD-T63-21.101 | 5.14.0 | Approved | Jul 13 | http://www.arib.or.jp/english/html/overview/doc/STD-T63v10_00/2_T63/ARIB-STD-T63/Rel5/21/A21101-5e0.pdf |
| CCSA | CCSA-TSD-TDD-21.101 | 5.14.0 | Published | Jun 12 | http://www.ccsa.org.cn/english/tc/files.php?docpath=/ITU-R/M.1457/M.1457-12/TDD |

| | | | | | |
|-------------------|-----------------------------|--------|-----------|--------|---|
| ETSI | ETSI TS 121 101 | 5.14.0 | Published | Jan 10 | http://www.etsi.org/deliver/etsi_ts/121100_121199/121101/05.14.00_60/ |
| TTC | TS-3GA-21.101(Rel5)v5.14.0 | 5.14.0 | Approved | Apr 10 | http://www.ttc.or.jp/j/document_list/free/3gpps2010/TS/TS-3GA-21.101(Rel5)v5.14.0.pdf |
| Release 6 | | | | | |
| ARIB | ARIB STD-T63-21.101 | 6.10.0 | Approved | Jul 13 | http://www.arib.or.jp/english/html/overview/doc/STD-T63v10_00/2_T63/ARIB-STD-T63/Rel6/21/A21101-6a0.pdf |
| CCSA | CCSA-TSD-TDD-21.101 | 6.10.0 | Published | Jun 12 | http://www.ccsa.org.cn/english/tc/files.php?docpath=/ITU-R/M.1457/M.1457-12/TDD |
| ETSI | ETSI TS 121 101 | 6.10.0 | Published | Jan 10 | http://www.etsi.org/deliver/etsi_ts/121100_121199/121101/06.10.00_60/ |
| TTC | TS-3GA-21.101(Rel6)v6.10.0 | 6.10.0 | Approved | Apr 10 | http://www.ttc.or.jp/j/document_list/free/3gpps2010/TS/TS-3GA-21.101(Rel6)v6.10.0.pdf |
| Release 7 | | | | | |
| ARIB | ARIB STD-T63-21.101 | 7.5.0 | Approved | Jul 13 | http://www.arib.or.jp/english/html/overview/doc/STD-T63v10_00/2_T63/ARIB-STD-T63/Rel7/21/A21101-750.pdf |
| CCSA | CCSA-TSD-TDD-21.101 | 7.5.0 | Published | Jun 12 | http://www.ccsa.org.cn/english/tc/files.php?docpath=/ITU-R/M.1457/M.1457-12/TDD |
| ETSI | ETSI TS 121 101 | 7.5.0 | Published | Jan 10 | http://www.etsi.org/deliver/etsi_ts/121100_121199/121101/07.05.00_60/ |
| TTC | TS-3GA-21.101(Rel7)v7.5.0 | 7.5.0 | Approved | Apr 10 | http://www.ttc.or.jp/j/document_list/free/3gpps2010/TS/TS-3GA-21.101(Rel7)v7.5.0.pdf |
| Release 8 | | | | | |
| ARIB | ARIB STD-T63-21.101 | 8.4.0 | Approved | Jul 13 | http://www.arib.or.jp/english/html/overview/doc/STD-T63v10_00/2_T63/ARIB-STD-T63/Rel8/21/A21101-840.pdf |
| CCSA | CCSA-TSD-TDD-21.101 | 8.3.0 | Published | Jun 12 | http://www.ccsa.org.cn/english/tc/files.php?docpath=/ITU-R/M.1457/M.1457-12/TDD |
| ETSI | ETSI TS 121 101 | 8.4.0 | Published | Mar 12 | http://www.etsi.org/deliver/etsi_ts/121100_121199/121101/08.04.00_60/ |
| TTC | TS-3GA-21.101(Rel8)v8.4.0 | 8.4.0 | Approved | Jun 12 | http://www.ttc.or.jp/j/document_list/free/3gpps2012/TS/TS-3GA-21.101(Rel8)v8.4.0.pdf |
| Release 9 | | | | | |
| ARIB | ARIB STD-T63-21.101 | 9.2.0 | Approved | Jul 13 | http://www.arib.or.jp/english/html/overview/doc/STD-T63v10_00/2_T63/ARIB-STD-T63/Rel9/21/A21101-920.pdf |
| CCSA | CCSA-TSD-TDD-21.101 | 9.1.0 | Published | Jun 12 | http://www.ccsa.org.cn/english/tc/files.php?docpath=/ITU-R/M.1457/M.1457-12/TDD |
| ETSI | ETSI TS 121 101 | 9.2.0 | Published | Mar 12 | http://www.etsi.org/deliver/etsi_ts/121100_121199/121101/09.02.00_60/ |
| TTC | TS-3GA-21.101(Rel9)v9.2.0 | 9.2.0 | Approved | Jun 12 | http://www.ttc.or.jp/j/document_list/free/3gpps2012/TS/TS-3GA-21.101(Rel9)v9.2.0.pdf |
| Release 10 | | | | | |
| ARIB | ARIB STD-T63-21.101 | 10.3.0 | Approved | Jul 13 | http://www.arib.or.jp/english/html/overview/doc/STD-T63v10_00/2_T63/ARIB-STD-T63/Rel10/21/A21101-a30.pdf |
| CCSA | CCSA-TSD-TDD-21.101 | 10.1.0 | Published | Jun 12 | http://www.ccsa.org.cn/english/tc/files.php?docpath=/ITU-R/M.1457/M.1457-12/TDD |
| ETSI | ETSI TS 121 101 | 10.3.0 | Published | Apr 13 | http://www.etsi.org/deliver/etsi_ts/121100_121199/121101/10.03.00_60/ |
| TTC | TS-3GA-21.101(Rel10)v10.3.0 | 10.3.0 | Approved | Jun 13 | http://www.ttc.or.jp/j/document_list/free/3gpps2013/TS/TS-3GA-21.101(Rel10)v10.3.0.pdf |
| Release 11 | | | | | |
| ARIB | ARIB STD-T63-21.101 | 11.0.0 | Approved | Jul 13 | http://www.arib.or.jp/english/html/overview/doc/STD-T63v10_00/2_T63/ARIB-STD-T63/Rel11/21/A21101-b00.pdf |
| CCSA | CCSA-TSD-TDD-21.101 | 11.1.0 | Published | Jun 14 | http://www.ccsa.org.cn/english/tc/files.php?docpath=/ITU-R/M.1457/M.1457-12/TDD |
| ETSI | ETSI TS 121 101 | 11.0.0 | Published | Apr 13 | http://www.etsi.org/deliver/etsi_ts/121100_121199/121101/11.00.00_60/ |
| TTC | TS-3GA-21.101(Rel11)v11.0.0 | 11.0.0 | Approved | Jun 13 | http://www.ttc.or.jp/j/document_list/free/3gpps2013/TS/TS-3GA-21.101(Rel11)v11.0.0.pdf |

5.3.2.13.2 TS 21.133

3G security; Security threats and requirements

Detailed security requirements.

| SDO (2) | Document No. | Version | Status | Issued date | Location (1) |
|-------------------|---------------------|---------|-----------|-------------|---|
| Release 99 | | | | | |
| ARIB | ARIB STD-T63-21.133 | 3.2.0 | Approved | Jul 13 | http://www.arib.or.jp/english/html/overview/doc/STD-T63v10_00/2_T63/ARIB-STD-T63/R99/21/A21133-320.pdf |
| CCSA | CCSA-TSD-TDD-21.133 | 3.2.0 | Published | Jun 12 | http://www.ccsa.org.cn/english/tc/files.php?docpath=/ITU-R/M.1457/M.1457-12/TDD |
| CCSA | CCSA-TSD-TDD-21.133 | 3.2.0 | Published | Jan 02 | http://www.ccsa.org.cn/english/tc/files.php?docpath=/ITU-R/M.1457/M.1457-12/TDD |
| ETSI | ETSI TS 121 133 | 3.2.0 | Published | Jan 02 | http://www.etsi.org/deliver/etsi_ts/121100_121199/121133/03.02.00_60/ |

Release 4

| | | | | | |
|------|---------------------|-------|-----------|--------|---|
| ARIB | ARIB STD-T63-21.133 | 4.1.0 | Approved | Jul 13 | http://www.arib.or.jp/english/html/overview/doc/STD-T63v10_00/2_T63/ARIB-STD-T63/Rel4/21/A21133-410.pdf |
| CCSA | CCSA-TSD-TDD-21.133 | 4.1.0 | Published | Jan 02 | http://www.ccsa.org.cn/english/tc/files.php?docpath=/ITU-R/M.1457/M.1457-12/TDD |
| CCSA | CCSA-TSD-TDD-21.133 | 4.1.0 | Published | Jun 12 | http://www.ccsa.org.cn/english/tc/files.php?docpath=/ITU-R/M.1457/M.1457-12/TDD |
| ETSI | ETSI TS 121 133 | 4.1.0 | Published | Jan 02 | http://www.etsi.org/deliver/etsi_ts/121100_121199/121133/04.01.00_60/ |

Release 11

| | | | | | |
|------|---------------------|-------|-----------|--------|---|
| CCSA | CCSA-TSD-TDD-21.133 | 3.2.0 | Published | Jun 14 | http://www.ccsa.org.cn/english/tc/files.php?docpath=/ITU-R/M.1457/M.1457-12/TDD |
|------|---------------------|-------|-----------|--------|---|

5.3.2.13.3 TS 21.201**Technical Specifications and Technical Reports for an Evolved Packet System (EPS) based 3GPP system**

This document identifies the 3GPP Technical Specifications and Technical Reports required or potentially required to build a system based on the Evolved Packet System/LTE/E UTRAN radio technology.

| SDO (2) | Document No. | Version | Status | Issued date | Location (1) |
|-------------------|-----------------------------|---------|-----------|-------------|---|
| Release 8 | | | | | |
| ARIB | ARIB STD-T63-21.201 | 8.5.0 | Approved | Jul 13 | http://www.arib.or.jp/english/html/overview/doc/STD-T63v10_00/2_T63/ARIB-STD-T63/Rel8/21/A21201-850.pdf |
| CCSA | CCSA-TSD-TDD-21.201 | 8.4.0 | Published | Jun 12 | http://www.ccsa.org.cn/english/tc/files.php?docpath=/ITU-R/M.1457/M.1457-12/TDD |
| ETSI | ETSI TS 121 201 | 8.5.0 | Published | Mar 12 | http://www.etsi.org/deliver/etsi_ts/121200_121299/121201/08.05.00_60/ |
| TTC | TS-3GA-21.201(Rel8)v8.5.0 | 8.5.0 | Approved | Jun 12 | http://www.ttc.or.jp/j/document_list/free/3gpps2012/TS/TS-3GA-21.201(Rel8)v8.5.0.pdf |
| Release 9 | | | | | |
| ARIB | ARIB STD-T63-21.201 | 9.2.0 | Approved | Jul 13 | http://www.arib.or.jp/english/html/overview/doc/STD-T63v10_00/2_T63/ARIB-STD-T63/Rel9/21/A21201-920.pdf |
| CCSA | CCSA-TSD-TDD-21.201 | 9.1.0 | Published | Jun 12 | http://www.ccsa.org.cn/english/tc/files.php?docpath=/ITU-R/M.1457/M.1457-12/TDD |
| ETSI | ETSI TS 121 201 | 9.2.0 | Published | Mar 12 | http://www.etsi.org/deliver/etsi_ts/121200_121299/121201/09.02.00_60/ |
| TTC | TS-3GA-21.201(Rel9)v9.2.0 | 9.2.0 | Approved | Jun 12 | http://www.ttc.or.jp/j/document_list/free/3gpps2012/TS/TS-3GA-21.201(Rel9)v9.2.0.pdf |
| Release 10 | | | | | |
| ARIB | ARIB STD-T63-21.201 | 10.3.0 | Approved | Jul 13 | http://www.arib.or.jp/english/html/overview/doc/STD-T63v10_00/2_T63/ARIB-STD-T63/Rel10/21/A21201-a30.pdf |
| CCSA | CCSA-TSD-TDD-21.201 | 10.1.0 | Published | Jun 12 | http://www.ccsa.org.cn/english/tc/files.php?docpath=/ITU-R/M.1457/M.1457-12/TDD |
| ETSI | ETSI TS 121 201 | 10.3.0 | Published | Apr 13 | http://www.etsi.org/deliver/etsi_ts/121200_121299/121201/10.03.00_60/ |
| TTC | TS-3GA-21.201(Rel10)v10.3.0 | 10.3.0 | Approved | Jun 13 | http://www.ttc.or.jp/j/document_list/free/3gpps2013/TS/TS-3GA-21.201(Rel10)v10.3.0.pdf |
| Release 11 | | | | | |
| ARIB | ARIB STD-T63-21.201 | 11.0.0 | Approved | Jul 13 | http://www.arib.or.jp/english/html/overview/doc/STD-T63v10_00/2_T63/ARIB-STD-T63/Rel11/21/A21201-b00.pdf |
| CCSA | CCSA-TSD-TDD-21.201 | 11.1.0 | Published | Jun 14 | http://www.ccsa.org.cn/english/tc/files.php?docpath=/ITU-R/M.1457/M.1457-12/TDD |
| ETSI | ETSI TS 121 201 | 11.0.0 | Published | Apr 13 | http://www.etsi.org/deliver/etsi_ts/121200_121299/121201/11.00.00_60/ |
| TTC | TS-3GA-21.201(Rel11)v11.0.0 | 11.0.0 | Approved | Jun 13 | http://www.ttc.or.jp/j/document_list/free/3gpps2013/TS/TS-3GA-21.201(Rel11)v11.0.0.pdf |

5.3.2.13.4 TS 21.202**Technical Specifications and Technical Reports relating to the Common IP Multimedia Subsystem (IMS)**

This document identifies the 3GPP Technical Specifications and Technical Reports specifically relating to the Common IP Multimedia Subsystem (IMS) maintained by 3GPP. Standards organizations adopting the Common IP Multimedia Subsystem (IMS) might not need to use all listed specifications.

| SDO (2) | Document No. | Version | Status | Issued date | Location (1) |
|-------------------|-----------------------------|---------|-----------|-------------|---|
| Release 8 | | | | | |
| ARIB | ARIB STD-T63-21.202 | 8.5.0 | Approved | Jul 13 | http://www.arib.or.jp/english/html/overview/doc/STD-T63v10_00/2_T63/ARIB-STD-T63/Rel8/21/A21202-850.pdf |
| CCSA | CCSA-TSD-TDD-21.202 | 8.5.0 | Published | Jun 14 | http://www.ccsa.org.cn/english/tc/files.php?docpath=/ITU-R/M.1457/M.1457-12/TDD |
| ETSI | ETSI TS 121 202 | 8.5.0 | Published | Mar 12 | http://www.etsi.org/deliver/etsi_ts/121200_121299/121202/08.05.00_60/ |
| TTC | TS-3GA-21.202(Rel8)v8.5.0 | 8.5.0 | Approved | Jun 12 | http://www.ttc.or.jp/j/document_list/free/3gpps2012/TS/TS-3GA-21.202(Rel8)v8.5.0.pdf |
| Release 9 | | | | | |
| ARIB | ARIB STD-T63-21.202 | 9.3.0 | Approved | Jul 13 | http://www.arib.or.jp/english/html/overview/doc/STD-T63v10_00/2_T63/ARIB-STD-T63/Rel9/21/A21202-930.pdf |
| CCSA | CCSA-TSD-TDD-21.202 | 9.3.0 | Published | Jun 14 | http://www.ccsa.org.cn/english/tc/files.php?docpath=/ITU-R/M.1457/M.1457-12/TDD |
| ETSI | ETSI TS 121 202 | 9.3.0 | Published | Mar 12 | http://www.etsi.org/deliver/etsi_ts/121200_121299/121202/09.03.00_60/ |
| TTC | TS-3GA-21.202(Rel9)v9.3.0 | 9.3.0 | Approved | Jun 12 | http://www.ttc.or.jp/j/document_list/free/3gpps2012/TS/TS-3GA-21.202(Rel9)v9.3.0.pdf |
| Release 10 | | | | | |
| ARIB | ARIB STD-T63-21.202 | 10.3.0 | Approved | Jul 13 | http://www.arib.or.jp/english/html/overview/doc/STD-T63v10_00/2_T63/ARIB-STD-T63/Rel10/21/A21202-a30.pdf |
| CCSA | CCSA-TSD-TDD-21.202 | 10.3.1 | Published | Jun 14 | http://www.ccsa.org.cn/english/tc/files.php?docpath=/ITU-R/M.1457/M.1457-12/TDD |
| ETSI | ETSI TS 121 202 | 10.3.0 | Published | Apr 13 | http://www.etsi.org/deliver/etsi_ts/121200_121299/121202/10.03.00_60/ |
| TTC | TS-3GA-21.202(Rel10)v10.3.0 | 10.3.0 | Approved | Jun 13 | http://www.ttc.or.jp/j/document_list/free/3gpps2013/TS/TS-3GA-21.202(Rel10)v10.3.0.pdf |
| Release 11 | | | | | |
| ARIB | ARIB STD-T63-21.202 | 11.0.0 | Approved | Jul 13 | http://www.arib.or.jp/english/html/overview/doc/STD-T63v10_00/2_T63/ARIB-STD-T63/Rel11/21/A21202-b00.pdf |
| CCSA | CCSA-TSD-TDD-21.202 | 11.0.1 | Published | Jun 14 | http://www.ccsa.org.cn/english/tc/files.php?docpath=/ITU-R/M.1457/M.1457-12/TDD |
| ETSI | ETSI TS 121 202 | 11.0.0 | Published | Apr 13 | http://www.etsi.org/deliver/etsi_ts/121200_121299/121202/11.00.00_60/ |
| TTC | TS-3GA-21.202(Rel11)v11.0.0 | 11.0.0 | Approved | Jun 13 | http://www.ttc.or.jp/j/document_list/free/3gpps2013/TS/TS-3GA-21.202(Rel11)v11.0.0.pdf |

5.3.2.13.5 TS 22.001

Principles of circuit telecommunication services supported by a Public Land Mobile Network (PLMN)

This document covers the definition of the circuit telecommunication services supported by a PLMN. The purpose of this document is to provide a method for the characterization and the description of these telecommunication services.

| SDO (2) | Document No. | Version | Status | Issued date | Location (1) |
|-------------------|---------------------|---------|-----------|-------------|---|
| Release 99 | | | | | |
| ARIB | ARIB STD-T63-22.001 | 3.2.0 | Approved | Jul 13 | http://www.arib.or.jp/english/html/overview/doc/STD-T63v10_00/2_T63/ARIB-STD-T63/R99/22/A22001-320.pdf |
| CCSA | CCSA-TSD-TDD-22.001 | 3.2.0 | Published | Jun 12 | http://www.ccsa.org.cn/english/tc/files.php?docpath=/ITU-R/M.1457/M.1457-12/TDD |
| ETSI | ETSI TS 122 001 | 3.2.0 | Published | May 00 | http://www.etsi.org/deliver/etsi_ts/122000_122099/122001/03.02.00_60/ |
| Release 4 | | | | | |
| ARIB | ARIB STD-T63-22.001 | 4.3.0 | Approved | Jul 13 | http://www.arib.or.jp/english/html/overview/doc/STD-T63v10_00/2_T63/ARIB-STD-T63/Rel4/22/A22001-430.pdf |
| CCSA | CCSA-TSD-TDD-22.001 | 4.3.0 | Published | Jun 12 | http://www.ccsa.org.cn/english/tc/files.php?docpath=/ITU-R/M.1457/M.1457-12/TDD |
| ETSI | ETSI TS 122 001 | 4.3.0 | Published | Apr 02 | http://www.etsi.org/deliver/etsi_ts/122000_122099/122001/04.03.00_60/ |
| Release 5 | | | | | |
| ARIB | ARIB STD-T63-22.001 | 5.0.0 | Approved | Jul 13 | http://www.arib.or.jp/english/html/overview/doc/STD-T63v10_00/2_T63/ARIB-STD-T63/Rel5/22/A22001-500.pdf |
| CCSA | CCSA-TSD-TDD-22.001 | 5.0.0 | Published | Jun 12 | http://www.ccsa.org.cn/english/tc/files.php?docpath=/ITU-R/M.1457/M.1457-12/TDD |

| | | | | | |
|-------------------|---------------------|--------|-----------|--------|---|
| ETSI | ETSI TS 122 001 | 5.0.0 | Published | Jul 02 | http://www.etsi.org/deliver/etsi_ts/122000_122099/122001/05.00.00_60/ |
| Release 6 | | | | | |
| ARIB | ARIB STD-T63-22.001 | 6.0.0 | Approved | Jul 13 | http://www.arib.or.jp/english/html/overview/doc/STD-T63v10_00/2_T63/ARIB-STD-T63/Rel6/22/A22001-600.pdf |
| CCSA | CCSA-TSD-TDD-22.001 | 6.0.0 | Published | Jun 12 | http://www.ccsa.org.cn/english/tc/files.php?docpath=/ITU-R/M.1457/M.1457-12/TDD |
| ETSI | ETSI TS 122 001 | 6.0.0 | Published | Jan 05 | http://www.etsi.org/deliver/etsi_ts/122000_122099/122001/06.00.00_60/ |
| Release 7 | | | | | |
| ARIB | ARIB STD-T63-22.001 | 7.0.0 | Approved | Jul 13 | http://www.arib.or.jp/english/html/overview/doc/STD-T63v10_00/2_T63/ARIB-STD-T63/Rel7/22/A22001-700.pdf |
| CCSA | CCSA-TSD-TDD-22.001 | 7.0.0 | Published | Jun 12 | http://www.ccsa.org.cn/english/tc/files.php?docpath=/ITU-R/M.1457/M.1457-12/TDD |
| ETSI | ETSI TS 122 001 | 7.0.0 | Published | Jul 07 | http://www.etsi.org/deliver/etsi_ts/122000_122099/122001/07.00.00_60/ |
| Release 8 | | | | | |
| ARIB | ARIB STD-T63-22.001 | 8.0.0 | Approved | Jul 13 | http://www.arib.or.jp/english/html/overview/doc/STD-T63v10_00/2_T63/ARIB-STD-T63/Rel8/22/A22001-800.pdf |
| CCSA | CCSA-TSD-TDD-22.001 | 8.0.0 | Published | Jun 12 | http://www.ccsa.org.cn/english/tc/files.php?docpath=/ITU-R/M.1457/M.1457-12/TDD |
| ETSI | ETSI TS 122 001 | 8.0.0 | Published | Jan 09 | http://www.etsi.org/deliver/etsi_ts/122000_122099/122001/08.00.00_60/ |
| Release 9 | | | | | |
| ARIB | ARIB STD-T63-22.001 | 9.0.0 | Approved | Jul 13 | http://www.arib.or.jp/english/html/overview/doc/STD-T63v10_00/2_T63/ARIB-STD-T63/Rel9/22/A22001-900.pdf |
| CCSA | CCSA-TSD-TDD-22.001 | 9.0.0 | Published | Jun 12 | http://www.ccsa.org.cn/english/tc/files.php?docpath=/ITU-R/M.1457/M.1457-12/TDD |
| ETSI | ETSI TS 122 001 | 9.0.0 | Published | Feb 10 | http://www.etsi.org/deliver/etsi_ts/122000_122099/122001/09.00.00_60/ |
| Release 10 | | | | | |
| ARIB | ARIB STD-T63-22.001 | 10.0.0 | Approved | Jul 13 | http://www.arib.or.jp/english/html/overview/doc/STD-T63v10_00/2_T63/ARIB-STD-T63/Rel10/22/A22001-a00.pdf |
| CCSA | CCSA-TSD-TDD-22.001 | 10.0.0 | Published | Jun 12 | http://www.ccsa.org.cn/english/tc/files.php?docpath=/ITU-R/M.1457/M.1457-12/TDD |
| ETSI | ETSI TS 122 001 | 10.0.0 | Published | May 11 | http://www.etsi.org/deliver/etsi_ts/122000_122099/122001/10.00.00_60/ |
| Release 11 | | | | | |
| ARIB | ARIB STD-T63-22.001 | 11.0.0 | Approved | Jul 13 | http://www.arib.or.jp/english/html/overview/doc/STD-T63v10_00/2_T63/ARIB-STD-T63/Rel11/22/A22001-b00.pdf |
| CCSA | CCSA-TSD-TDD-22.001 | 11.0.0 | Published | Jun 14 | http://www.ccsa.org.cn/english/tc/files.php?docpath=/ITU-R/M.1457/M.1457-12/TDD |
| ETSI | ETSI TS 122 001 | 11.0.0 | Published | Oct 12 | http://www.etsi.org/deliver/etsi_ts/122000_122099/122001/11.00.00_60/ |

5.3.2.13.6 TS 22.002

Circuit Bearer Services (BS) supported by a Public Land Mobile Network (PLMN)

This 3G specification describes a set of bearer services to be provided to 3G subscribers by a 3G network itself and in connection with other networks. This document is also be used as a reference for defining the corresponding required mobile network capabilities which are specified by means of the connection type concept.

| SDO (2) | Document No. | Version | Status | Issued date | Location (1) |
|-------------------|---------------------|---------|-----------|-------------|---|
| Release 99 | | | | | |
| ARIB | ARIB STD-T63-22.002 | 3.6.0 | Approved | Jul 13 | http://www.arib.or.jp/english/html/overview/doc/STD-T63v10_00/2_T63/ARIB-STD-T63/R99/22/A22002-360.pdf |
| CCSA | CCSA-TSD-TDD-22.002 | 3.6.0 | Published | Apr 01 | http://www.ccsa.org.cn/english/tc/files.php?docpath=/ITU-R/M.1457/M.1457-12/TDD |
| ETSI | ETSI TS 122 002 | 3.6.0 | Published | Apr 01 | http://www.etsi.org/deliver/etsi_ts/122000_122099/122002/03.06.00_60/ |
| Release 4 | | | | | |

| | | | | | |
|-------------------|---------------------|--------|-----------|--------|---|
| ARIB | ARIB STD-T63-22.002 | 4.2.0 | Approved | Jul 13 | http://www.arib.or.jp/english/html/overview/doc/STD-T63v10_00/2_T63/ARIB-STD-T63/Rel4/22/A22002-420.pdf |
| CCSA | CCSA-TSD-TDD-22.002 | 4.2.0 | Published | Jul 01 | http://www.ccsa.org.cn/english/tc/files.php?docpath=/ITU-R/M.1457/M.1457-12/TDD |
| ETSI | ETSI TS 122 002 | 4.2.0 | Published | Jul 01 | http://www.etsi.org/deliver/etsi_ts/122000_122099/122002/04.02.00_60/ |
| Release 5 | | | | | |
| ARIB | ARIB STD-T63-22.002 | 5.0.0 | Approved | Jul 13 | http://www.arib.or.jp/english/html/overview/doc/STD-T63v10_00/2_T63/ARIB-STD-T63/Rel5/22/A22002-500.pdf |
| CCSA | CCSA-TSD-TDD-22.002 | 5.0.0 | Published | Jul 02 | http://www.ccsa.org.cn/english/tc/files.php?docpath=/ITU-R/M.1457/M.1457-12/TDD |
| ETSI | ETSI TS 122 002 | 5.0.0 | Published | Jul 02 | http://www.etsi.org/deliver/etsi_ts/122000_122099/122002/05.00.00_60/ |
| Release 6 | | | | | |
| ARIB | ARIB STD-T63-22.002 | 6.0.0 | Approved | Jul 13 | http://www.arib.or.jp/english/html/overview/doc/STD-T63v10_00/2_T63/ARIB-STD-T63/Rel6/22/A22002-600.pdf |
| CCSA | CCSA-TSD-TDD-22.002 | 6.0.0 | Published | Jan 05 | http://www.ccsa.org.cn/english/tc/files.php?docpath=/ITU-R/M.1457/M.1457-12/TDD |
| ETSI | ETSI TS 122 002 | 6.0.0 | Published | Jan 05 | http://www.etsi.org/deliver/etsi_ts/122000_122099/122002/06.00.00_60/ |
| Release 7 | | | | | |
| ARIB | ARIB STD-T63-22.002 | 7.0.0 | Approved | Jul 13 | http://www.arib.or.jp/english/html/overview/doc/STD-T63v10_00/2_T63/ARIB-STD-T63/Rel7/22/A22002-700.pdf |
| CCSA | CCSA-TSD-TDD-22.002 | 7.0.0 | Published | Jun 07 | http://www.ccsa.org.cn/english/tc/files.php?docpath=/ITU-R/M.1457/M.1457-12/TDD |
| ETSI | ETSI TS 122 002 | 7.0.0 | Published | Jun 07 | http://www.etsi.org/deliver/etsi_ts/122000_122099/122002/07.00.00_60/ |
| Release 8 | | | | | |
| ARIB | ARIB STD-T63-22.002 | 8.0.0 | Approved | Jul 13 | http://www.arib.or.jp/english/html/overview/doc/STD-T63v10_00/2_T63/ARIB-STD-T63/Rel8/22/A22002-800.pdf |
| CCSA | CCSA-TSD-TDD-22.002 | 8.0.0 | Published | Jan 09 | http://www.ccsa.org.cn/english/tc/files.php?docpath=/ITU-R/M.1457/M.1457-12/TDD |
| ETSI | ETSI TS 122 002 | 8.0.0 | Published | Jan 09 | http://www.etsi.org/deliver/etsi_ts/122000_122099/122002/08.00.00_60/ |
| Release 9 | | | | | |
| ARIB | ARIB STD-T63-22.002 | 9.0.0 | Approved | Jul 13 | http://www.arib.or.jp/english/html/overview/doc/STD-T63v10_00/2_T63/ARIB-STD-T63/Rel9/22/A22002-900.pdf |
| CCSA | CCSA-TSD-TDD-22.002 | 9.0.0 | Published | Mar 10 | http://www.ccsa.org.cn/english/tc/files.php?docpath=/ITU-R/M.1457/M.1457-12/TDD |
| ETSI | ETSI TS 122 002 | 9.0.0 | Published | Feb 10 | http://www.etsi.org/deliver/etsi_ts/122000_122099/122002/09.00.00_60/ |
| Release 10 | | | | | |
| ARIB | ARIB STD-T63-22.002 | 10.0.0 | Approved | Jul 13 | http://www.arib.or.jp/english/html/overview/doc/STD-T63v10_00/2_T63/ARIB-STD-T63/Rel10/22/A22002-a00.pdf |
| CCSA | CCSA-TSD-TDD-22.002 | 10.0.0 | Published | Jun 12 | http://www.ccsa.org.cn/english/tc/files.php?docpath=/ITU-R/M.1457/M.1457-12/TDD |
| ETSI | ETSI TS 122 002 | 10.0.0 | Published | May 11 | http://www.etsi.org/deliver/etsi_ts/122000_122099/122002/10.00.00_60/ |
| Release 11 | | | | | |
| ARIB | ARIB STD-T63-22.002 | 11.0.0 | Approved | Jul 13 | http://www.arib.or.jp/english/html/overview/doc/STD-T63v10_00/2_T63/ARIB-STD-T63/Rel11/22/A22002-b00.pdf |
| CCSA | CCSA-TSD-TDD-22.002 | 11.0.0 | Published | Jun 14 | http://www.ccsa.org.cn/english/tc/files.php?docpath=/ITU-R/M.1457/M.1457-12/TDD |
| ETSI | ETSI TS 122 002 | 11.0.0 | Published | Oct 12 | http://www.etsi.org/deliver/etsi_ts/122000_122099/122002/11.00.00_60/ |

5.3.2.13.7 TS 22.003

Circuit Teleservices supported by a Public Land Mobile Network (PLMN)

This document describes and defines a recommended set of Circuit Teleservices to be supported by a PLMN in connection with other networks as a basis for defining the network capabilities required.

| SDO (2) | Document No. | Version | Status | Issued date | Location (1) |
|-------------------|---------------------|---------|-----------|-------------|---|
| Release 99 | | | | | |
| ARIB | ARIB STD-T63-22.003 | 3.3.0 | Approved | Jul 13 | http://www.arib.or.jp/english/html/overview/doc/STD-T63v10_00/2_T63/ARIB-STD-T63/R99/22/A22003-330.pdf |
| CCSA | CCSA-TSD-TDD-22.003 | 3.3.0 | Published | Jun 12 | http://www.ccsa.org.cn/english/tc/files.php?docpath=/ITU-R/M.1457/M.1457-12/TDD |
| ETSI | ETSI TS 122 003 | 3.3.0 | Published | Jul 01 | http://www.etsi.org/deliver/etsi_ts/122000_122099/122003/03.03.00_60/ |

Release 4

| | | | | | |
|------|---------------------|-------|-----------|--------|---|
| ARIB | ARIB STD-T63-22.003 | 4.3.0 | Approved | Jul 13 | http://www.arib.or.jp/english/html/overview/doc/STD-T63v10_00/2_T63/ARIB-STD-T63/Rel4/22/A22003-430.pdf |
| CCSA | CCSA-TSD-TDD-22.003 | 4.3.0 | Published | Jun 12 | http://www.ccsa.org.cn/english/tc/files.php?docpath=/ITU-R/M.1457/M.1457-12/TDD |
| ETSI | ETSI TS 122 003 | 4.3.0 | Published | Apr 02 | http://www.etsi.org/deliver/etsi_ts/122000_122099/122003/04.03.00_60/ |

Release 5

| | | | | | |
|------|---------------------|-------|-----------|--------|---|
| ARIB | ARIB STD-T63-22.003 | 5.2.0 | Approved | Jul 13 | http://www.arib.or.jp/english/html/overview/doc/STD-T63v10_00/2_T63/ARIB-STD-T63/Rel5/22/A22003-520.pdf |
| CCSA | CCSA-TSD-TDD-22.003 | 5.2.0 | Published | Jun 12 | http://www.ccsa.org.cn/english/tc/files.php?docpath=/ITU-R/M.1457/M.1457-12/TDD |
| ETSI | ETSI TS 122 003 | 5.2.0 | Published | Jul 02 | http://www.etsi.org/deliver/etsi_ts/122000_122099/122003/05.02.00_60/ |

Release 6

| | | | | | |
|------|---------------------|-------|-----------|--------|---|
| ARIB | ARIB STD-T63-22.003 | 6.0.0 | Approved | Jul 13 | http://www.arib.or.jp/english/html/overview/doc/STD-T63v10_00/2_T63/ARIB-STD-T63/Rel6/22/A22003-600.pdf |
| CCSA | CCSA-TSD-TDD-22.003 | 6.0.0 | Published | Jun 12 | http://www.ccsa.org.cn/english/tc/files.php?docpath=/ITU-R/M.1457/M.1457-12/TDD |
| ETSI | ETSI TS 122 003 | 6.0.0 | Published | Jan 05 | http://www.etsi.org/deliver/etsi_ts/122000_122099/122003/06.00.00_60/ |

Release 7

| | | | | | |
|------|---------------------|-------|-----------|--------|---|
| ARIB | ARIB STD-T63-22.003 | 7.0.0 | Approved | Jul 13 | http://www.arib.or.jp/english/html/overview/doc/STD-T63v10_00/2_T63/ARIB-STD-T63/Rel7/22/A22003-700.pdf |
| CCSA | CCSA-TSD-TDD-22.003 | 7.0.0 | Published | Jun 12 | http://www.ccsa.org.cn/english/tc/files.php?docpath=/ITU-R/M.1457/M.1457-12/TDD |
| ETSI | ETSI TS 122 003 | 7.0.0 | Published | Jul 07 | http://www.etsi.org/deliver/etsi_ts/122000_122099/122003/07.00.00_60/ |

Release 8

| | | | | | |
|------|---------------------|-------|-----------|--------|---|
| ARIB | ARIB STD-T63-22.003 | 8.0.0 | Approved | Jul 13 | http://www.arib.or.jp/english/html/overview/doc/STD-T63v10_00/2_T63/ARIB-STD-T63/Rel8/22/A22003-800.pdf |
| CCSA | CCSA-TSD-TDD-22.003 | 8.0.0 | Published | Jun 12 | http://www.ccsa.org.cn/english/tc/files.php?docpath=/ITU-R/M.1457/M.1457-12/TDD |
| ETSI | ETSI TS 122 003 | 8.0.0 | Published | Feb 09 | http://www.etsi.org/deliver/etsi_ts/122000_122099/122003/08.00.00_60/ |

Release 9

| | | | | | |
|------|---------------------|-------|-----------|--------|---|
| ARIB | ARIB STD-T63-22.003 | 9.0.0 | Approved | Jul 13 | http://www.arib.or.jp/english/html/overview/doc/STD-T63v10_00/2_T63/ARIB-STD-T63/Rel9/22/A22003-900.pdf |
| CCSA | CCSA-TSD-TDD-22.003 | 9.0.0 | Published | Jun 12 | http://www.ccsa.org.cn/english/tc/files.php?docpath=/ITU-R/M.1457/M.1457-12/TDD |
| ETSI | ETSI TS 122 003 | 9.0.0 | Published | Jan 10 | http://www.etsi.org/deliver/etsi_ts/122000_122099/122003/09.00.00_60/ |

Release 10

| | | | | | |
|------|---------------------|--------|-----------|--------|---|
| ARIB | ARIB STD-T63-22.003 | 10.0.0 | Approved | Jul 13 | http://www.arib.or.jp/english/html/overview/doc/STD-T63v10_00/2_T63/ARIB-STD-T63/Rel10/22/A22003-a00.pdf |
| CCSA | CCSA-TSD-TDD-22.003 | 10.0.0 | Published | Jun 12 | http://www.ccsa.org.cn/english/tc/files.php?docpath=/ITU-R/M.1457/M.1457-12/TDD |
| ETSI | ETSI TS 122 003 | 10.0.0 | Published | May 11 | http://www.etsi.org/deliver/etsi_ts/122000_122099/122003/10.00.00_60/ |

Release 11

| | | | | | |
|------|---------------------|--------|-----------|--------|---|
| ARIB | ARIB STD-T63-22.003 | 11.0.0 | Approved | Jul 13 | http://www.arib.or.jp/english/html/overview/doc/STD-T63v10_00/2_T63/ARIB-STD-T63/Rel11/22/A22003-b00.pdf |
| CCSA | CCSA-TSD-TDD-22.003 | 11.0.0 | Published | Jun 14 | http://www.ccsa.org.cn/english/tc/files.php?docpath=/ITU-R/M.1457/M.1457-12/TDD |
| ETSI | ETSI TS 122 003 | 11.0.0 | Published | Oct 12 | http://www.etsi.org/deliver/etsi_ts/122000_122099/122003/11.00.00_60/ |

5.3.2.13.8 TS 22.004**General on supplementary services**

This specification describes a recommended set of supplementary services to the teleservices and bearer services which will be supported by a 3G network in connection with other networks as a basis for the definition of the network capabilities required.

| SDO (2) | Document No. | Version | Status | Issued date | Location (1) |
|-------------------|--------------------------|---------|-----------|-------------|---|
| Release 99 | | | | | |
| ETSI | ETSI TS 122 004 | 3.3.0 | Published | Jul 02 | http://www.etsi.org/deliver/etsi_ts/122000_122099/122004/03.03.00_60/ |
| TTC | TS-3GA-22.004(R99)v3.3.0 | 3.3.0 | Approved | Aug 02 | http://www.ttc.or.jp/j/document_list/free/TS/TS-3GA-22.004(R99)v3.3.0.pdf |

Release 4

| | | | | | |
|------|---------------------------|-------|-----------|--------|---|
| CCSA | CCSA-TSD-TDD-22.004 | 4.3.0 | Published | Jun 04 | http://www.ccsa.org.cn/english/tc/files.php?docpath=/ITU-R/M.1457/M.1457-12/TDD |
| ETSI | ETSI TS 122 004 | 4.3.0 | Published | Jun 04 | http://www.etsi.org/deliver/etsi_ts/122000_122099/122004/04.03.00_60/ |
| TTC | TS-3GA-22.004(Rel4)v4.3.0 | 4.3.0 | Approved | Aug 04 | http://www.ttc.or.jp/j/document_list/free/TS/TS-3GA-22.004(Rel4)v4.3.0.pdf |

Release 5

| | | | | | |
|------|---------------------------|-------|-----------|--------|---|
| CCSA | CCSA-TSD-TDD-22.004 | 5.1.0 | Published | Jun 04 | http://www.ccsa.org.cn/english/tc/files.php?docpath=/ITU-R/M.1457/M.1457-12/TDD |
| ETSI | ETSI TS 122 004 | 5.1.0 | Published | Jun 04 | http://www.etsi.org/deliver/etsi_ts/122000_122099/122004/05.01.00_60/ |
| TTC | TS-3GA-22.004(Rel5)v5.1.0 | 5.1.0 | Approved | Aug 04 | http://www.ttc.or.jp/j/document_list/free/TS/TS-3GA-22.004(Rel5)v5.1.0.pdf |

Release 6

| | | | | | |
|------|---------------------------|-------|-----------|--------|---|
| CCSA | CCSA-TSD-TDD-22.004 | 6.0.0 | Published | Jan 05 | http://www.ccsa.org.cn/english/tc/files.php?docpath=/ITU-R/M.1457/M.1457-12/TDD |
| ETSI | ETSI TS 122 004 | 6.0.0 | Published | Jan 05 | http://www.etsi.org/deliver/etsi_ts/122000_122099/122004/06.00.00_60/ |
| TTC | TS-3GA-22.004(Rel6)v6.0.0 | 6.0.0 | Approved | Mar 05 | http://www.ttc.or.jp/j/document_list/free/TS/TS-3GA-22.004(Rel6)v6.0.0.pdf |

Release 7

| | | | | | |
|------|---------------------------|-------|-----------|--------|---|
| CCSA | CCSA-TSD-TDD-22.004 | 7.0.0 | Published | Apr 07 | http://www.ccsa.org.cn/english/tc/files.php?docpath=/ITU-R/M.1457/M.1457-12/TDD |
| ETSI | ETSI TS 122 004 | 7.0.0 | Published | Apr 07 | http://www.etsi.org/deliver/etsi_ts/122000_122099/122004/07.00.00_60/ |
| TTC | TS-3GA-22.004(Rel7)v7.0.0 | 7.0.0 | Approved | Mar 08 | http://www.ttc.or.jp/j/document_list/free/TS/TS-3GA-22.004(Rel7)v7.0.0.pdf |

Release 8

| | | | | | |
|------|---------------------------|-------|-----------|--------|---|
| CCSA | CCSA-TSD-TDD-22.004 | 8.0.0 | Published | Jan 08 | http://www.ccsa.org.cn/english/tc/files.php?docpath=/ITU-R/M.1457/M.1457-12/TDD |
| ETSI | ETSI TS 122 004 | 8.0.0 | Published | Jan 08 | http://www.etsi.org/deliver/etsi_ts/122000_122099/122004/08.00.00_60/ |
| TTC | TS-3GA-22.004(Rel8)v8.0.0 | 8.0.0 | Approved | Feb 09 | http://www.ttc.or.jp/j/document_list/free/3gpps2009/TS/TS-3GA-22.004(Rel8)v8.0.0.pdf |

Release 9

| | | | | | |
|------|---------------------------|-------|-----------|--------|---|
| CCSA | CCSA-TSD-TDD-22.004 | 9.0.0 | Published | Mar 10 | http://www.ccsa.org.cn/english/tc/files.php?docpath=/ITU-R/M.1457/M.1457-12/TDD |
| ETSI | ETSI TS 122 004 | 9.0.0 | Published | Jan 10 | http://www.etsi.org/deliver/etsi_ts/122000_122099/122004/09.00.00_60/ |
| TTC | TS-3GA-22.004(Rel9)v9.0.0 | 9.0.0 | Approved | Jul 10 | http://www.ttc.or.jp/j/document_list/free/3gpps2010/TS/TS-3GA-22.004(Rel9)v9.0.0.pdf |

Release 10

| | | | | | |
|------|-----------------------------|--------|-----------|--------|---|
| CCSA | CCSA-TSD-TDD-22.004 | 10.0.0 | Published | Jun 12 | http://www.ccsa.org.cn/english/tc/files.php?docpath=/ITU-R/M.1457/M.1457-12/TDD |
| ETSI | ETSI TS 122 004 | 10.0.0 | Published | May 11 | http://www.etsi.org/deliver/etsi_ts/122000_122099/122004/10.00.00_60/ |
| TTC | TS-3GA-22.004(Rel10)v10.0.0 | 10.0.0 | Approved | Jun 11 | http://www.ttc.or.jp/j/document_list/free/3gpps2011/TS/TS-3GA-22.004(Rel10)v10.0.0.pdf |

Release 11

| | | | | | |
|------|-----------------------------|--------|-----------|--------|---|
| CCSA | CCSA-TSD-TDD-22.004 | 11.0.0 | Published | Jun 14 | http://www.ccsa.org.cn/english/tc/files.php?docpath=/ITU-R/M.1457/M.1457-12/TDD |
| ETSI | ETSI TS 122 004 | 11.0.0 | Published | Nov 12 | http://www.etsi.org/deliver/etsi_ts/122000_122099/122004/11.00.00_60/ |
| TTC | TS-3GA-22.004(Rel11)v11.0.0 | 11.0.0 | Approved | Jun 13 | http://www.ttc.or.jp/j/document_list/free/3gpps2013/TS/TS-3GA-22.004(Rel11)v11.0.0.pdf |

5.3.2.13.9 TS 22.011**Service accessibility**

This specification describes the service access procedures as presented to the user. The document contains definitions and procedures are provided for international roaming, national roaming and regionally provided service. These are mandatory in relation to the technical realization of the UE.

| SDO (2) | Document No. | Version | Status | Issued date | Location (1) |
|-------------------|---------------------|---------|-----------|-------------|---|
| Release 99 | | | | | |
| CCSA | CCSA-TSD-TDD-22.011 | 3.8.0 | Published | Sep 02 | http://www.ccsa.org.cn/english/tc/files.php?docpath=/ITU-R/M.1457/M.1457-12/TDD |

| | | | | | |
|-------------------|-----------------------------|--------|-----------|--------|---|
| ETSI | ETSI TS 122 011 | 3.8.0 | Published | Sep 02 | http://www.etsi.org/deliver/etsi_ts/122000_122099/122011/03.08.00_60/ |
| TTC | TS-3GA-22.011(R99)v3.8.0 | 3.8.0 | Approved | Nov 02 | http://www.ttc.or.jp/j/document_list/free/TS/TS-3GA-22.011(R99)v3.8.0.pdf |
| Release 4 | | | | | |
| CCSA | CCSA-TSD-TDD-22.011 | 4.8.0 | Published | Sep 02 | http://www.ccsa.org.cn/english/tc/files.php?docpath=/ITU-R/M.1457/M.1457-12/TDD |
| ETSI | ETSI TS 122 011 | 4.8.0 | Published | Sep 02 | http://www.etsi.org/deliver/etsi_ts/122000_122099/122011/04.08.00_60/ |
| TTC | TS-3GA-22.011(Rel4)v4.8.0 | 4.8.0 | Approved | Nov 02 | http://www.ttc.or.jp/j/document_list/free/TS/TS-3GA-22.011(Rel4)v4.8.0.pdf |
| Release 5 | | | | | |
| CCSA | CCSA-TSD-TDD-22.011 | 5.1.0 | Published | Sep 02 | http://www.ccsa.org.cn/english/tc/files.php?docpath=/ITU-R/M.1457/M.1457-12/TDD |
| ETSI | ETSI TS 122 011 | 5.1.0 | Published | Sep 02 | http://www.etsi.org/deliver/etsi_ts/122000_122099/122011/05.01.00_60/ |
| TTC | TS-3GA-22.011(Rel5)v5.1.0 | 5.1.0 | Approved | Nov 02 | http://www.ttc.or.jp/j/document_list/free/TS/TS-3GA-22.011(Rel5)v5.1.0.pdf |
| Release 6 | | | | | |
| CCSA | CCSA-TSD-TDD-22.011 | 6.4.0 | Published | Jan 05 | http://www.ccsa.org.cn/english/tc/files.php?docpath=/ITU-R/M.1457/M.1457-12/TDD |
| ETSI | ETSI TS 122 011 | 6.4.0 | Published | Jan 05 | http://www.etsi.org/deliver/etsi_ts/122000_122099/122011/06.04.00_60/ |
| TTC | TS-3GA-22.011(Rel6)v6.4.0 | 6.4.0 | Approved | Mar 05 | http://www.ttc.or.jp/j/document_list/free/TS/TS-3GA-22.011(Rel6)v6.4.0.pdf |
| Release 7 | | | | | |
| CCSA | CCSA-TSD-TDD-22.011 | 7.9.0 | Published | Apr 08 | http://www.ccsa.org.cn/english/tc/files.php?docpath=/ITU-R/M.1457/M.1457-12/TDD |
| ETSI | ETSI TS 122 011 | 7.9.0 | Published | Apr 08 | http://www.etsi.org/deliver/etsi_ts/122000_122099/122011/07.09.00_60/ |
| TTC | TS-3GA-22.011(Rel7)v7.9.0 | 7.9.0 | Approved | Feb 09 | http://www.ttc.or.jp/j/document_list/free/3gpps2009/TS/TS-3GA-22.011(Rel7)v7.9.0.pdf |
| Release 8 | | | | | |
| CCSA | CCSA-TSD-TDD-22.011 | 8.10.0 | Published | Jun 12 | http://www.ccsa.org.cn/english/tc/files.php?docpath=/ITU-R/M.1457/M.1457-12/TDD |
| ETSI | ETSI TS 122 011 | 8.11.0 | Published | Jul 12 | http://www.etsi.org/deliver/etsi_ts/122000_122099/122011/08.11.00_60/ |
| TTC | TS-3GA-22.011(Rel8)v8.11.0 | 8.11.0 | Approved | Sep 12 | http://www.ttc.or.jp/j/document_list/free/3gpps2012/TS/TS-3GA-22.011(Rel8)v8.10.0.pdf |
| Release 9 | | | | | |
| CCSA | CCSA-TSD-TDD-22.011 | 9.4.0 | Published | Jun 12 | http://www.ccsa.org.cn/english/tc/files.php?docpath=/ITU-R/M.1457/M.1457-12/TDD |
| ETSI | ETSI TS 122 011 | 9.4.0 | Published | Jun 10 | http://www.etsi.org/deliver/etsi_ts/122000_122099/122011/09.04.00_60/ |
| TTC | TS-3GA-22.011(Rel9)v9.4.0 | 9.4.0 | Approved | Oct 10 | http://www.ttc.or.jp/j/document_list/free/3gpps2010/TS/TS-3GA-22.011(Rel9)v9.4.0.pdf |
| Release 10 | | | | | |
| CCSA | CCSA-TSD-TDD-22.011 | 10.3.0 | Published | Jun 12 | http://www.ccsa.org.cn/english/tc/files.php?docpath=/ITU-R/M.1457/M.1457-12/TDD |
| ETSI | ETSI TS 122 011 | 10.3.0 | Published | Apr 11 | http://www.etsi.org/deliver/etsi_ts/122000_122099/122011/10.03.00_60/ |
| TTC | TS-3GA-22.011(Rel10)v10.3.0 | 10.3.0 | Approved | Jun 11 | http://www.ttc.or.jp/j/document_list/free/3gpps2011/TS/TS-3GA-22.011(Rel10)v10.3.0.pdf |
| Release 11 | | | | | |
| CCSA | CCSA-TSD-TDD-22.011 | 11.3.0 | Published | Jun 14 | http://www.ccsa.org.cn/english/tc/files.php?docpath=/ITU-R/M.1457/M.1457-12/TDD |
| ETSI | ETSI TS 122 011 | 11.3.0 | Published | Apr 13 | http://www.etsi.org/deliver/etsi_ts/122000_122099/122011/11.03.00_60/ |
| TTC | TS-3GA-22.011(Rel11)v11.3.0 | 11.3.0 | Approved | Jun 13 | http://www.ttc.or.jp/j/document_list/free/3gpps2013/TS/TS-3GA-22.011(Rel11)v11.3.0.pdf |

5.3.2.13.10 TS 22.016

International Mobile station Equipment Identities (IMEI)

This specification describes the principal purpose and use of unique equipment identities.

| SDO (2) | Document No. | Version | Status | Issued date | Location (1) |
|---------|--------------|---------|--------|-------------|--------------|
|---------|--------------|---------|--------|-------------|--------------|

Release 99

| | | | | | |
|------|---------------------|-------|-----------|--------|---|
| ARIB | ARIB STD-T63-22.016 | 3.3.0 | Approved | Jul 13 | http://www.arib.or.jp/english/html/overview/doc/STD-T63v10_00/2_T63/ARIB-STD-T63/R99/22/A22016-330.pdf |
| CCSA | CCSA-TSD-TDD-22.016 | 3.3.0 | Published | Jul 02 | http://www.ccsa.org.cn/english/tc/files.php?docpath=/ITU-R/M.1457/M.1457-12/TDD |
| ETSI | ETSI TS 122 016 | 3.3.0 | Published | Jul 02 | http://www.etsi.org/deliver/etsi_ts/122000_122099/122016/03.03.00_60/ |

Release 4

| | | | | | |
|------|---------------------|-------|-----------|--------|---|
| ARIB | ARIB STD-T63-22.016 | 4.2.1 | Approved | Jul 13 | http://www.arib.or.jp/english/html/overview/doc/STD-T63v10_00/2_T63/ARIB-STD-T63/Rel4/22/A22016-421.pdf |
| CCSA | CCSA-TSD-TDD-22.016 | 4.2.1 | Published | Jul 02 | http://www.ccsa.org.cn/english/tc/files.php?docpath=/ITU-R/M.1457/M.1457-12/TDD |
| ETSI | ETSI TS 122 016 | 4.2.1 | Published | Jul 02 | http://www.etsi.org/deliver/etsi_ts/122000_122099/122016/04.02.01_60/ |

Release 5

| | | | | | |
|------|---------------------|-------|-----------|--------|---|
| ARIB | ARIB STD-T63-22.016 | 5.0.0 | Approved | Jul 13 | http://www.arib.or.jp/english/html/overview/doc/STD-T63v10_00/2_T63/ARIB-STD-T63/Rel5/22/A22016-500.pdf |
| CCSA | CCSA-TSD-TDD-22.016 | 5.0.0 | Published | Jul 02 | http://www.ccsa.org.cn/english/tc/files.php?docpath=/ITU-R/M.1457/M.1457-12/TDD |
| ETSI | ETSI TS 122 016 | 5.0.0 | Published | Jul 02 | http://www.etsi.org/deliver/etsi_ts/122000_122099/122016/05.00.00_60/ |

Release 6

| | | | | | |
|------|---------------------|-------|-----------|--------|---|
| ARIB | ARIB STD-T63-22.016 | 6.0.0 | Approved | Jul 13 | http://www.arib.or.jp/english/html/overview/doc/STD-T63v10_00/2_T63/ARIB-STD-T63/Rel6/22/A22016-600.pdf |
| CCSA | CCSA-TSD-TDD-22.016 | 6.0.0 | Published | Jan 05 | http://www.ccsa.org.cn/english/tc/files.php?docpath=/ITU-R/M.1457/M.1457-12/TDD |
| ETSI | ETSI TS 122 016 | 6.0.0 | Published | Jan 05 | http://www.etsi.org/deliver/etsi_ts/122000_122099/122016/06.00.00_60/ |

Release 7

| | | | | | |
|------|---------------------|-------|-----------|--------|---|
| ARIB | ARIB STD-T63-22.016 | 7.2.0 | Approved | Jul 13 | http://www.arib.or.jp/english/html/overview/doc/STD-T63v10_00/2_T63/ARIB-STD-T63/Rel7/22/A22016-720.pdf |
| CCSA | CCSA-TSD-TDD-22.016 | 7.2.0 | Published | Mar 10 | http://www.ccsa.org.cn/english/tc/files.php?docpath=/ITU-R/M.1457/M.1457-12/TDD |
| ETSI | ETSI TS 122 016 | 7.2.0 | Published | Oct 09 | http://www.etsi.org/deliver/etsi_ts/122000_122099/122016/07.02.00_60/ |

Release 8

| | | | | | |
|------|---------------------|-------|-----------|--------|---|
| ARIB | ARIB STD-T63-22.016 | 8.1.1 | Approved | Jul 13 | http://www.arib.or.jp/english/html/overview/doc/STD-T63v10_00/2_T63/ARIB-STD-T63/Rel8/22/A22016-811.pdf |
| CCSA | CCSA-TSD-TDD-22.016 | 8.1.1 | Published | Mar 10 | http://www.ccsa.org.cn/english/tc/files.php?docpath=/ITU-R/M.1457/M.1457-12/TDD |
| ETSI | ETSI TS 122 016 | 8.1.1 | Published | Jan 10 | http://www.etsi.org/deliver/etsi_ts/122000_122099/122016/08.01.01_60/ |

Release 9

| | | | | | |
|------|---------------------|-------|-----------|--------|---|
| ARIB | ARIB STD-T63-22.016 | 9.0.1 | Approved | Jul 13 | http://www.arib.or.jp/english/html/overview/doc/STD-T63v10_00/2_T63/ARIB-STD-T63/Rel9/22/A22016-901.pdf |
| CCSA | CCSA-TSD-TDD-22.016 | 9.0.1 | Published | Jun 12 | http://www.ccsa.org.cn/english/tc/files.php?docpath=/ITU-R/M.1457/M.1457-12/TDD |
| ETSI | ETSI TS 122 016 | 9.0.1 | Published | Apr 10 | http://www.etsi.org/deliver/etsi_ts/122000_122099/122016/09.00.01_60/ |

Release 10

| | | | | | |
|------|---------------------|--------|-----------|--------|---|
| ARIB | ARIB STD-T63-22.016 | 10.0.0 | Approved | Jul 13 | http://www.arib.or.jp/english/html/overview/doc/STD-T63v10_00/2_T63/ARIB-STD-T63/Rel10/22/A22016-a00.pdf |
| CCSA | CCSA-TSD-TDD-22.016 | 10.0.0 | Published | Jun 12 | http://www.ccsa.org.cn/english/tc/files.php?docpath=/ITU-R/M.1457/M.1457-12/TDD |
| ETSI | ETSI TS 122 016 | 10.0.0 | Published | May 11 | http://www.etsi.org/deliver/etsi_ts/122000_122099/122016/10.00.00_60/ |

Release 11

| | | | | | |
|------|---------------------|--------|-----------|--------|---|
| ARIB | ARIB STD-T63-22.016 | 11.0.0 | Approved | Jul 13 | http://www.arib.or.jp/english/html/overview/doc/STD-T63v10_00/2_T63/ARIB-STD-T63/Rel11/22/A22016-b00.pdf |
| CCSA | CCSA-TSD-TDD-22.016 | 11.3.0 | Published | Jun 14 | http://www.ccsa.org.cn/english/tc/files.php?docpath=/ITU-R/M.1457/M.1457-12/TDD |
| ETSI | ETSI TS 122 016 | 11.0.0 | Published | Oct 12 | http://www.etsi.org/deliver/etsi_ts/122000_122099/122016/11.00.00_60/ |

5.3.2.13.11 TS 22.022**Personalisation of Mobile Equipment (ME); Mobile functionality specification**

This specification describes functional specifications of five features to personalize UE. These features are called: – network personalization; – network subset personalization; – service provider (SP) personalization; – corporate personalization; – UMTS subscriber identity module (USIM) personalization. This specification describes requirements for UE, which provide these personalization features.

| SDO (2) | Document No. | Version | Status | Issued date | Location (1) |
|-------------------|---------------------|---------|-----------|-------------|---|
| Release 99 | | | | | |
| ARIB | ARIB STD-T63-22.022 | 3.2.1 | Approved | Jul 13 | http://www.arib.or.jp/english/html/overview/doc/STD-T63v10_00/2_T63/ARIB-STD-T63/R99/22/A22022-321.pdf |
| CCSA | CCSA-TSD-TDD-22.022 | 3.2.1 | Published | Jun 02 | http://www.ccsa.org.cn/english/tc/files.php?docpath=/ITU-R/M.1457/M.1457-12/TDD |
| ETSI | ETSI TS 122 022 | 3.2.1 | Published | Jun 02 | http://www.etsi.org/deliver/etsi_ts/122000_122099/122022/03.02.01_60/ |
| Release 4 | | | | | |
| ARIB | ARIB STD-T63-22.022 | 4.1.0 | Approved | Jul 13 | http://www.arib.or.jp/english/html/overview/doc/STD-T63v10_00/2_T63/ARIB-STD-T63/Rel4/22/A22022-410.pdf |
| CCSA | CCSA-TSD-TDD-22.022 | 4.1.0 | Published | Jun 02 | http://www.ccsa.org.cn/english/tc/files.php?docpath=/ITU-R/M.1457/M.1457-12/TDD |
| ETSI | ETSI TS 122 022 | 4.1.0 | Published | Jun 02 | http://www.etsi.org/deliver/etsi_ts/122000_122099/122022/04.01.00_60/ |
| Release 5 | | | | | |
| ARIB | ARIB STD-T63-22.022 | 5.0.0 | Approved | Jul 13 | http://www.arib.or.jp/english/html/overview/doc/STD-T63v10_00/2_T63/ARIB-STD-T63/Rel5/22/A22022-500.pdf |
| CCSA | CCSA-TSD-TDD-22.022 | 5.0.0 | Published | Oct 02 | http://www.ccsa.org.cn/english/tc/files.php?docpath=/ITU-R/M.1457/M.1457-12/TDD |
| ETSI | ETSI TS 122 022 | 5.0.0 | Published | Oct 02 | http://www.etsi.org/deliver/etsi_ts/122000_122099/122022/05.00.00_60/ |
| Release 6 | | | | | |
| ARIB | ARIB STD-T63-22.022 | 6.0.0 | Approved | Jul 13 | http://www.arib.or.jp/english/html/overview/doc/STD-T63v10_00/2_T63/ARIB-STD-T63/Rel6/22/A22022-600.pdf |
| CCSA | CCSA-TSD-TDD-22.022 | 6.0.0 | Published | Jan 05 | http://www.ccsa.org.cn/english/tc/files.php?docpath=/ITU-R/M.1457/M.1457-12/TDD |
| ETSI | ETSI TS 122 022 | 6.0.0 | Published | Jan 05 | http://www.etsi.org/deliver/etsi_ts/122000_122099/122022/06.00.00_60/ |
| Release 7 | | | | | |
| ARIB | ARIB STD-T63-22.022 | 7.2.0 | Approved | Jul 13 | http://www.arib.or.jp/english/html/overview/doc/STD-T63v10_00/2_T63/ARIB-STD-T63/Rel7/22/A22022-720.pdf |
| CCSA | CCSA-TSD-TDD-22.022 | 7.2.0 | Published | Jul 08 | http://www.ccsa.org.cn/english/tc/files.php?docpath=/ITU-R/M.1457/M.1457-12/TDD |
| ETSI | ETSI TS 122 022 | 7.2.0 | Published | Jul 08 | http://www.etsi.org/deliver/etsi_ts/122000_122099/122022/07.02.00_60/ |
| Release 8 | | | | | |
| ARIB | ARIB STD-T63-22.022 | 8.1.0 | Approved | Jul 13 | http://www.arib.or.jp/english/html/overview/doc/STD-T63v10_00/2_T63/ARIB-STD-T63/Rel8/22/A22022-810.pdf |
| CCSA | CCSA-TSD-TDD-22.022 | 8.1.0 | Published | Jun 12 | http://www.ccsa.org.cn/english/tc/files.php?docpath=/ITU-R/M.1457/M.1457-12/TDD |
| ETSI | ETSI TS 122 022 | 8.1.0 | Published | Jun 10 | http://www.etsi.org/deliver/etsi_ts/122000_122099/122022/08.01.00_60/ |
| Release 9 | | | | | |
| ARIB | ARIB STD-T63-22.022 | 9.1.0 | Approved | Jul 13 | http://www.arib.or.jp/english/html/overview/doc/STD-T63v10_00/2_T63/ARIB-STD-T63/Rel9/22/A22022-910.pdf |
| CCSA | CCSA-TSD-TDD-22.022 | 9.1.0 | Published | Jun 12 | http://www.ccsa.org.cn/english/tc/files.php?docpath=/ITU-R/M.1457/M.1457-12/TDD |
| ETSI | ETSI TS 122 022 | 9.1.0 | Published | Jun 10 | http://www.etsi.org/deliver/etsi_ts/122000_122099/122022/09.01.00_60/ |
| Release 10 | | | | | |
| ARIB | ARIB STD-T63-22.022 | 10.0.0 | Approved | Jul 13 | http://www.arib.or.jp/english/html/overview/doc/STD-T63v10_00/2_T63/ARIB-STD-T63/Rel10/22/A22022-a00.pdf |
| CCSA | CCSA-TSD-TDD-22.022 | 10.0.0 | Published | Jun 12 | http://www.ccsa.org.cn/english/tc/files.php?docpath=/ITU-R/M.1457/M.1457-12/TDD |
| ETSI | ETSI TS 122 022 | 10.0.0 | Published | May 11 | http://www.etsi.org/deliver/etsi_ts/122000_122099/122022/10.00.00_60/ |
| Release 11 | | | | | |
| ARIB | ARIB STD-T63-22.022 | 11.0.0 | Approved | Jul 13 | http://www.arib.or.jp/english/html/overview/doc/STD-T63v10_00/2_T63/ARIB-STD-T63/Rel11/22/A22022-b00.pdf |
| CCSA | CCSA-TSD-TDD-22.022 | 11.0.0 | Published | Jun 14 | http://www.ccsa.org.cn/english/tc/files.php?docpath=/ITU-R/M.1457/M.1457-12/TDD |
| ETSI | ETSI TS 122 022 | 11.0.0 | Published | Oct 12 | http://www.etsi.org/deliver/etsi_ts/122000_122099/122022/11.00.00_60/ |

5.3.2.13.12 TS 22.034

High Speed Circuit Switched Data (HSCSD); Stage 1

This specification describes the Stage 1 description of HSCSD. HSCSD is a feature that allows users subscribing to the general bearer services to access

user rates that can be achieved with one or more traffic channel. HSCSD also defines a flexible use of air interface resources, which makes efficient and flexible use of higher user rates feasible.

| SDO (2) | Document No. | Version | Status | Issued date | Location (1) |
|-------------------|---------------------|---------|-----------|-------------|---|
| Release 99 | | | | | |
| ARIB | ARIB STD-T63-22.034 | 3.2.1 | Approved | Jul 13 | http://www.arib.or.jp/english/html/overview/doc/STD-T63v10_00/2_T63/ARIB-STD-T63/R99/22/A22034-321.pdf |
| CCSA | CCSA-TSD-TDD-22.034 | 3.2.1 | Published | May 00 | http://www.ccsa.org.cn/english/tc/files.php?docpath=/ITU-R/M.1457/M.1457-12/TDD |
| ETSI | ETSI TS 122 034 | 3.2.1 | Published | May 00 | http://www.etsi.org/deliver/etsi_ts/122000_122099/122034/03.02.01_60/ |
| Release 4 | | | | | |
| ARIB | ARIB STD-T63-22.034 | 4.1.0 | Approved | Jul 13 | http://www.arib.or.jp/english/html/overview/doc/STD-T63v10_00/2_T63/ARIB-STD-T63/Rel4/22/A22034-410.pdf |
| CCSA | CCSA-TSD-TDD-22.034 | 4.1.0 | Published | Jul 02 | http://www.ccsa.org.cn/english/tc/files.php?docpath=/ITU-R/M.1457/M.1457-12/TDD |
| ETSI | ETSI TS 122 034 | 4.1.0 | Published | Jul 02 | http://www.etsi.org/deliver/etsi_ts/122000_122099/122034/04.01.00_60/ |
| Release 5 | | | | | |
| ARIB | ARIB STD-T63-22.034 | 5.0.0 | Approved | Jul 13 | http://www.arib.or.jp/english/html/overview/doc/STD-T63v10_00/2_T63/ARIB-STD-T63/Rel5/22/A22034-500.pdf |
| CCSA | CCSA-TSD-TDD-22.034 | 5.0.0 | Published | Jul 02 | http://www.ccsa.org.cn/english/tc/files.php?docpath=/ITU-R/M.1457/M.1457-12/TDD |
| ETSI | ETSI TS 122 034 | 5.0.0 | Published | Jul 02 | http://www.etsi.org/deliver/etsi_ts/122000_122099/122034/05.00.00_60/ |
| Release 6 | | | | | |
| ARIB | ARIB STD-T63-22.034 | 6.0.0 | Approved | Jul 13 | http://www.arib.or.jp/english/html/overview/doc/STD-T63v10_00/2_T63/ARIB-STD-T63/Rel6/22/A22034-600.pdf |
| CCSA | CCSA-TSD-TDD-22.034 | 6.0.0 | Published | Jan 05 | http://www.ccsa.org.cn/english/tc/files.php?docpath=/ITU-R/M.1457/M.1457-12/TDD |
| ETSI | ETSI TS 122 034 | 6.0.0 | Published | Jan 05 | http://www.etsi.org/deliver/etsi_ts/122000_122099/122034/06.00.00_60/ |
| Release 7 | | | | | |
| ARIB | ARIB STD-T63-22.034 | 7.0.0 | Approved | Jul 13 | http://www.arib.or.jp/english/html/overview/doc/STD-T63v10_00/2_T63/ARIB-STD-T63/Rel7/22/A22034-700.pdf |
| CCSA | CCSA-TSD-TDD-22.034 | 7.0.0 | Published | Jul 07 | http://www.ccsa.org.cn/english/tc/files.php?docpath=/ITU-R/M.1457/M.1457-12/TDD |
| ETSI | ETSI TS 122 034 | 7.0.0 | Published | Jul 07 | http://www.etsi.org/deliver/etsi_ts/122000_122099/122034/07.00.00_60/ |
| Release 8 | | | | | |
| ARIB | ARIB STD-T63-22.034 | 8.0.0 | Approved | Jul 13 | http://www.arib.or.jp/english/html/overview/doc/STD-T63v10_00/2_T63/ARIB-STD-T63/Rel8/22/A22034-800.pdf |
| CCSA | CCSA-TSD-TDD-22.034 | 8.0.0 | Published | Jan 09 | http://www.ccsa.org.cn/english/tc/files.php?docpath=/ITU-R/M.1457/M.1457-12/TDD |
| ETSI | ETSI TS 122 034 | 8.0.0 | Published | Jan 09 | http://www.etsi.org/deliver/etsi_ts/122000_122099/122034/08.00.00_60/ |
| Release 9 | | | | | |
| ARIB | ARIB STD-T63-22.034 | 9.0.0 | Approved | Jul 13 | http://www.arib.or.jp/english/html/overview/doc/STD-T63v10_00/2_T63/ARIB-STD-T63/Rel9/22/A22034-900.pdf |
| CCSA | CCSA-TSD-TDD-22.034 | 9.0.0 | Published | Mar 10 | http://www.ccsa.org.cn/english/tc/files.php?docpath=/ITU-R/M.1457/M.1457-12/TDD |
| ETSI | ETSI TS 122 034 | 9.0.0 | Published | Jan 10 | http://www.etsi.org/deliver/etsi_ts/122000_122099/122034/09.00.00_60/ |
| Release 10 | | | | | |
| ARIB | ARIB STD-T63-22.034 | 10.0.0 | Approved | Jul 13 | http://www.arib.or.jp/english/html/overview/doc/STD-T63v10_00/2_T63/ARIB-STD-T63/Rel10/22/A22034-a00.pdf |
| CCSA | CCSA-TSD-TDD-22.034 | 10.0.0 | Published | Jun 12 | http://www.ccsa.org.cn/english/tc/files.php?docpath=/ITU-R/M.1457/M.1457-12/TDD |
| ETSI | ETSI TS 122 034 | 10.0.0 | Published | May 11 | http://www.etsi.org/deliver/etsi_ts/122000_122099/122034/10.00.00_60/ |
| Release 11 | | | | | |
| ARIB | ARIB STD-T63-22.034 | 11.0.0 | Approved | Jul 13 | http://www.arib.or.jp/english/html/overview/doc/STD-T63v10_00/2_T63/ARIB-STD-T63/Rel11/22/A22034-b00.pdf |
| CCSA | CCSA-TSD-TDD-22.034 | 11.0.0 | Published | Jun 14 | http://www.ccsa.org.cn/english/tc/files.php?docpath=/ITU-R/M.1457/M.1457-12/TDD |
| ETSI | ETSI TS 122 034 | 11.0.0 | Published | Oct 12 | http://www.etsi.org/deliver/etsi_ts/122000_122099/122034/11.00.00_60/ |

5.3.2.13.13 TS 22.038

(U)SIM Application Toolkit (USAT); Service description; Stage 1

This specification describes the Stage 1 description of the SAT primarily from the subscriber's and serving environment's points of view, and does not deal with the details of the human interface itself. It includes information applicable to network operators, serving environments and terminal, switch and database manufacturers and contains the core requirements for a SAT which are sufficient to provide a complete service.

| SDO (2) | Document No. | Version | Status | Issued date | Location (1) |
|-------------------|---------------------|---------|-----------|-------------|---|
| Release 99 | | | | | |
| ARIB | ARIB STD-T63-22.038 | 3.4.0 | Approved | Jul 13 | http://www.arib.or.jp/english/html/overview/doc/STD-T63v10_00/2_T63/ARIB-STD-T63/R99/22/A22038-340.pdf |
| CCSA | CCSA-TSD-TDD-22.038 | 3.4.0 | Published | Jan 04 | http://www.ccsa.org.cn/english/tc/files.php?docpath=/ITU-R/M.1457/M.1457-12/TDD |
| ETSI | ETSI TS 122 038 | 3.4.0 | Published | Jan 04 | http://www.etsi.org/deliver/etsi_ts/122000_122099/122038/03.04.00_60/ |
| Release 4 | | | | | |
| ARIB | ARIB STD-T63-22.038 | 4.3.0 | Approved | Jul 13 | http://www.arib.or.jp/english/html/overview/doc/STD-T63v10_00/2_T63/ARIB-STD-T63/Rel4/22/A22038-430.pdf |
| CCSA | CCSA-TSD-TDD-22.038 | 4.3.0 | Published | Jan 04 | http://www.ccsa.org.cn/english/tc/files.php?docpath=/ITU-R/M.1457/M.1457-12/TDD |
| ETSI | ETSI TS 122 038 | 4.3.0 | Published | Jan 04 | http://www.etsi.org/deliver/etsi_ts/122000_122099/122038/04.03.00_60/ |
| Release 5 | | | | | |
| ARIB | ARIB STD-T63-22.038 | 5.4.0 | Approved | Jul 13 | http://www.arib.or.jp/english/html/overview/doc/STD-T63v10_00/2_T63/ARIB-STD-T63/Rel5/22/A22038-540.pdf |
| CCSA | CCSA-TSD-TDD-22.038 | 5.4.0 | Published | Jan 04 | http://www.ccsa.org.cn/english/tc/files.php?docpath=/ITU-R/M.1457/M.1457-12/TDD |
| ETSI | ETSI TS 122 038 | 5.4.0 | Published | Jan 04 | http://www.etsi.org/deliver/etsi_ts/122000_122099/122038/05.04.00_60/ |
| Release 6 | | | | | |
| ARIB | ARIB STD-T63-22.038 | 6.5.0 | Approved | Jul 13 | http://www.arib.or.jp/english/html/overview/doc/STD-T63v10_00/2_T63/ARIB-STD-T63/Rel6/22/A22038-650.pdf |
| CCSA | CCSA-TSD-TDD-22.038 | 6.5.0 | Published | Oct 05 | http://www.ccsa.org.cn/english/tc/files.php?docpath=/ITU-R/M.1457/M.1457-12/TDD |
| ETSI | ETSI TS 122 038 | 6.5.0 | Published | Oct 05 | http://www.etsi.org/deliver/etsi_ts/122000_122099/122038/06.05.00_60/ |
| Release 7 | | | | | |
| ARIB | ARIB STD-T63-22.038 | 7.5.0 | Approved | Jul 13 | http://www.arib.or.jp/english/html/overview/doc/STD-T63v10_00/2_T63/ARIB-STD-T63/Rel7/22/A22038-750.pdf |
| CCSA | CCSA-TSD-TDD-22.038 | 7.5.0 | Published | Jan 06 | http://www.ccsa.org.cn/english/tc/files.php?docpath=/ITU-R/M.1457/M.1457-12/TDD |
| ETSI | ETSI TS 122 038 | 7.5.0 | Published | Jan 06 | http://www.etsi.org/deliver/etsi_ts/122000_122099/122038/07.05.00_60/ |
| Release 8 | | | | | |
| ARIB | ARIB STD-T63-22.038 | 8.0.1 | Approved | Jul 13 | http://www.arib.or.jp/english/html/overview/doc/STD-T63v10_00/2_T63/ARIB-STD-T63/Rel8/22/A22038-801.pdf |
| CCSA | CCSA-TSD-TDD-22.038 | 8.0.1 | Published | Oct 08 | http://www.ccsa.org.cn/english/tc/files.php?docpath=/ITU-R/M.1457/M.1457-12/TDD |
| ETSI | ETSI TS 122 038 | 8.0.1 | Published | Oct 08 | http://www.etsi.org/deliver/etsi_ts/122000_122099/122038/08.00.01_60/ |
| Release 9 | | | | | |
| ARIB | ARIB STD-T63-22.038 | 9.0.0 | Approved | Jul 13 | http://www.arib.or.jp/english/html/overview/doc/STD-T63v10_00/2_T63/ARIB-STD-T63/Rel9/22/A22038-900.pdf |
| CCSA | CCSA-TSD-TDD-22.038 | 9.0.0 | Published | Mar 10 | http://www.ccsa.org.cn/english/tc/files.php?docpath=/ITU-R/M.1457/M.1457-12/TDD |
| ETSI | ETSI TS 122 038 | 9.0.0 | Published | Jan 10 | http://www.etsi.org/deliver/etsi_ts/122000_122099/122038/09.00.00_60/ |
| Release 10 | | | | | |
| ARIB | ARIB STD-T63-22.038 | 10.0.1 | Approved | Jul 13 | http://www.arib.or.jp/english/html/overview/doc/STD-T63v10_00/2_T63/ARIB-STD-T63/Rel10/22/A22038-a01.pdf |
| CCSA | CCSA-TSD-TDD-22.038 | 10.0.1 | Published | Jun 12 | http://www.ccsa.org.cn/english/tc/files.php?docpath=/ITU-R/M.1457/M.1457-12/TDD |
| ETSI | ETSI TS 122 038 | 10.0.1 | Published | May 11 | http://www.etsi.org/deliver/etsi_ts/122000_122099/122038/10.00.01_60/ |
| Release 11 | | | | | |
| ARIB | ARIB STD-T63-22.038 | 11.0.0 | Approved | Jul 13 | http://www.arib.or.jp/english/html/overview/doc/STD-T63v10_00/2_T63/ARIB-STD-T63/Rel11/22/A22038-b00.pdf |
| CCSA | CCSA-TSD-TDD-22.038 | 11.0.0 | Published | Jun 14 | http://www.ccsa.org.cn/english/tc/files.php?docpath=/ITU-R/M.1457/M.1457-12/TDD |
| ETSI | ETSI TS 122 038 | 11.0.0 | Published | Oct 12 | http://www.etsi.org/deliver/etsi_ts/122000_122099/122038/11.00.00_60/ |

5.3.2.13.14 TS 22.041**Operator Determined Barring (ODB)**

This document specifies the network feature Operator Determined Barring (ODB), which allows the network operator or service provider to regulate, by means of an exceptional procedure, access by the subscribers to services (both Circuit and Packet Oriented), by the barring of certain categories of outgoing or incoming calls/ Packet Oriented Services or of roaming.

| SDO (2) | Document No. | Version | Status | Issued date | Location (1) |
|-------------------|-----------------------------|---------|-----------|-------------|---|
| Release 99 | | | | | |
| ETSI | ETSI TS 122 041 | 3.3.1 | Published | Jun 01 | http://www.etsi.org/deliver/etsi_ts/122000_122099/122041/03.03.01_60/ |
| TTC | TS-3GA-22.041(R99)v3.3.1 | 3.3.1 | Approved | May 01 | http://www.ttc.or.jp/j/document_list/free/TS/TS-3GA-22.041(R99)v3.3.1.pdf |
| Release 4 | | | | | |
| CCSA | CCSA-TSD-TDD-22.041 | 4.1.0 | Published | Jun 14 | http://www.ccsa.org.cn/english/tc/files.php?docpath=/ITU-R/M.1457/M.1457-12/TDD |
| ETSI | ETSI TS 122 041 | 4.1.0 | Published | Apr 01 | http://www.etsi.org/deliver/etsi_ts/122000_122099/122041/04.01.00_60/ |
| TTC | TS-3GA-22.041(Rel4)v4.1.0 | 4.1.0 | Approved | May 01 | http://www.ttc.or.jp/j/document_list/free/TS/TS-3GA-22.041(Rel4)v4.1.0.pdf |
| Release 5 | | | | | |
| CCSA | CCSA-TSD-TDD-22.041 | 5.0.0 | Published | Jun 14 | http://www.ccsa.org.cn/english/tc/files.php?docpath=/ITU-R/M.1457/M.1457-12/TDD |
| ETSI | ETSI TS 122 041 | 5.0.0 | Published | Jul 02 | http://www.etsi.org/deliver/etsi_ts/122000_122099/122041/05.00.00_60/ |
| TTC | TS-3GA-22.041(Rel5)v5.0.0 | 5.0.0 | Approved | Aug 02 | http://www.ttc.or.jp/j/document_list/free/TS/TS-3GA-22.041(Rel5)v5.0.0.pdf |
| Release 6 | | | | | |
| CCSA | CCSA-TSD-TDD-22.041 | 6.2.0 | Published | Jun 14 | http://www.ccsa.org.cn/english/tc/files.php?docpath=/ITU-R/M.1457/M.1457-12/TDD |
| ETSI | ETSI TS 122 041 | 6.2.0 | Published | Jan 05 | http://www.etsi.org/deliver/etsi_ts/122000_122099/122041/06.02.00_60/ |
| TTC | TS-3GA-22.041(Rel6)v6.2.0 | 6.2.0 | Approved | Mar 05 | http://www.ttc.or.jp/j/document_list/free/TS/TS-3GA-22.041(Rel6)v6.2.0.pdf |
| Release 7 | | | | | |
| CCSA | CCSA-TSD-TDD-22.041 | 7.0.0 | Published | Jun 14 | http://www.ccsa.org.cn/english/tc/files.php?docpath=/ITU-R/M.1457/M.1457-12/TDD |
| ETSI | ETSI TS 122 041 | 7.0.0 | Published | Apr 07 | http://www.etsi.org/deliver/etsi_ts/122000_122099/122041/07.00.00_60/ |
| TTC | TS-3GA-22.041(Rel7)v7.0.0 | 7.0.0 | Approved | Mar 08 | http://www.ttc.or.jp/j/document_list/free/TS/TS-3GA-22.041(Rel7)v7.0.0.pdf |
| Release 8 | | | | | |
| CCSA | CCSA-TSD-TDD-22.041 | 8.2.0 | Published | Jun 14 | http://www.ccsa.org.cn/english/tc/files.php?docpath=/ITU-R/M.1457/M.1457-12/TDD |
| ETSI | ETSI TS 122 041 | 8.1.0 | Published | Jan 08 | http://www.etsi.org/deliver/etsi_ts/122000_122099/122041/08.01.00_60/ |
| TTC | TS-3GA-22.041(Rel8)v8.1.0 | 8.1.0 | Approved | Feb 09 | http://www.ttc.or.jp/j/document_list/free/3gpps2009/TS/TS-3GA-22.041(Rel8)v8.1.0.pdf |
| Release 9 | | | | | |
| CCSA | CCSA-TSD-TDD-22.041 | 9.1.0 | Published | Jun 14 | http://www.ccsa.org.cn/english/tc/files.php?docpath=/ITU-R/M.1457/M.1457-12/TDD |
| ETSI | ETSI TS 122 041 | 9.0.0 | Published | Jan 10 | http://www.etsi.org/deliver/etsi_ts/122000_122099/122041/09.00.00_60/ |
| TTC | TS-3GA-22.041(Rel9)v9.0.0 | 9.0.0 | Approved | Jul 10 | http://www.ttc.or.jp/j/document_list/free/3gpps2010/TS/TS-3GA-22.041(Rel9)v9.0.0.pdf |
| Release 10 | | | | | |
| CCSA | CCSA-TSD-TDD-22.041 | 10.1.0 | Published | Jun 14 | http://www.ccsa.org.cn/english/tc/files.php?docpath=/ITU-R/M.1457/M.1457-12/TDD |
| ETSI | ETSI TS 122 041 | 10.0.0 | Published | May 11 | http://www.etsi.org/deliver/etsi_ts/122000_122099/122041/10.00.00_60/ |
| TTC | TS-3GA-22.041(Rel10)v10.0.0 | 10.0.0 | Approved | Jun 11 | http://www.ttc.or.jp/j/document_list/free/3gpps2011/TS/TS-3GA-22.041(Rel10)v10.0.0.pdf |
| Release 11 | | | | | |
| CCSA | CCSA-TSD-TDD-22.041 | 11.3.0 | Published | Jun 14 | http://www.ccsa.org.cn/english/tc/files.php?docpath=/ITU-R/M.1457/M.1457-12/TDD |
| ETSI | ETSI TS 122 041 | 11.2.0 | Published | Apr 13 | http://www.etsi.org/deliver/etsi_ts/122000_122099/122041/11.02.00_60/ |
| TTC | TS-3GA-22.041(Rel11)v11.2.0 | 11.2.0 | Approved | Jun 13 | http://www.ttc.or.jp/j/document_list/free/3gpps2013/TS/TS-3GA-22.041(Rel11)v11.2.0.pdf |

5.3.2.13.15 TS 22.057

Mobile Execution Environment (MExE); Service description; Stage 1

This document defines the stage one description of the Mobile Execution Environment (MExE). The scope of this 3GPP TS encompasses the MExE functionality in the UE, interaction with the MExE service environment. The MExE service environment is not necessarily restricted to the PLMN, and nodes providing MExE services (i.e. MExE servers) may also exist outside the PLMN. Aspects of the support provided by MExE servers within the MExE service environment (such as charging aspects, security level classification etc.) are covered by this specification, but not the MExE servers themselves.

| SDO (2) | Document No. | Version | Status | Issued date | Location (1) |
|-------------------|---------------------|---------|-----------|-------------|---|
| Release 3 | | | | | |
| CCSA | CCSA-TSD-TDD-22.057 | 3.0.1 | Published | Jun 14 | http://www.ccsa.org.cn/english/tc/files.php?docpath=/ITU-R/M.1457/M.1457-12/TDD |
| Release 99 | | | | | |
| ARIB | ARIB STD-T63-22.057 | 3.0.1 | Approved | Jul 13 | http://www.arib.or.jp/english/html/overview/doc/STD-T63v10_00/2_T63/ARIB-STD-T63/R99/22/A22057-301.pdf |
| CCSA | CCSA-TSD-TDD-22.057 | 3.0.1 | Published | Jun 12 | http://www.ccsa.org.cn/english/tc/files.php?docpath=/ITU-R/M.1457/M.1457-12/TDD |
| ETSI | ETSI TS 122 057 | 3.0.1 | Published | Feb 00 | http://www.etsi.org/deliver/etsi_ts/122000_122099/122057/03.00.01_60/ |
| Release 4 | | | | | |
| ARIB | ARIB STD-T63-22.057 | 4.1.0 | Approved | Jul 13 | http://www.arib.or.jp/english/html/overview/doc/STD-T63v10_00/2_T63/ARIB-STD-T63/Rel4/22/A22057-410.pdf |
| CCSA | CCSA-TSD-TDD-22.057 | 4.1.0 | Published | Jun 12 | http://www.ccsa.org.cn/english/tc/files.php?docpath=/ITU-R/M.1457/M.1457-12/TDD |
| ETSI | ETSI TS 122 057 | 4.1.0 | Published | Apr 02 | http://www.etsi.org/deliver/etsi_ts/122000_122099/122057/04.01.00_60/ |
| Release 5 | | | | | |
| ARIB | ARIB STD-T63-22.057 | 5.4.0 | Approved | Jul 13 | http://www.arib.or.jp/english/html/overview/doc/STD-T63v10_00/2_T63/ARIB-STD-T63/Rel5/22/A22057-540.pdf |
| CCSA | CCSA-TSD-TDD-22.057 | 5.4.0 | Published | Jun 12 | http://www.ccsa.org.cn/english/tc/files.php?docpath=/ITU-R/M.1457/M.1457-12/TDD |
| ETSI | ETSI TS 122 057 | 5.4.0 | Published | Jul 02 | http://www.etsi.org/deliver/etsi_ts/122000_122099/122057/05.04.00_60/ |
| Release 6 | | | | | |
| ARIB | ARIB STD-T63-22.057 | 6.0.0 | Approved | Jul 13 | http://www.arib.or.jp/english/html/overview/doc/STD-T63v10_00/2_T63/ARIB-STD-T63/Rel6/22/A22057-600.pdf |
| CCSA | CCSA-TSD-TDD-22.057 | 6.0.0 | Published | Jun 12 | http://www.ccsa.org.cn/english/tc/files.php?docpath=/ITU-R/M.1457/M.1457-12/TDD |
| ETSI | ETSI TS 122 057 | 6.0.0 | Published | Jan 05 | http://www.etsi.org/deliver/etsi_ts/122000_122099/122057/06.00.00_60/ |
| Release 7 | | | | | |
| ARIB | ARIB STD-T63-22.057 | 7.0.0 | Approved | Jul 13 | http://www.arib.or.jp/english/html/overview/doc/STD-T63v10_00/2_T63/ARIB-STD-T63/Rel7/22/A22057-700.pdf |
| CCSA | CCSA-TSD-TDD-22.057 | 7.0.0 | Published | Jun 12 | http://www.ccsa.org.cn/english/tc/files.php?docpath=/ITU-R/M.1457/M.1457-12/TDD |
| ETSI | ETSI TS 122 057 | 7.0.0 | Published | Jul 07 | http://www.etsi.org/deliver/etsi_ts/122000_122099/122057/07.00.00_60/ |
| Release 8 | | | | | |
| ARIB | ARIB STD-T63-22.057 | 8.0.0 | Approved | Jul 13 | http://www.arib.or.jp/english/html/overview/doc/STD-T63v10_00/2_T63/ARIB-STD-T63/Rel8/22/A22057-800.pdf |
| CCSA | CCSA-TSD-TDD-22.057 | 8.0.0 | Published | Jun 12 | http://www.ccsa.org.cn/english/tc/files.php?docpath=/ITU-R/M.1457/M.1457-12/TDD |
| ETSI | ETSI TS 122 057 | 8.0.0 | Published | Jan 09 | http://www.etsi.org/deliver/etsi_ts/122000_122099/122057/08.00.00_60/ |
| Release 9 | | | | | |
| ARIB | ARIB STD-T63-22.057 | 9.0.0 | Approved | Jul 13 | http://www.arib.or.jp/english/html/overview/doc/STD-T63v10_00/2_T63/ARIB-STD-T63/Rel9/22/A22057-900.pdf |
| CCSA | CCSA-TSD-TDD-22.057 | 9.0.0 | Published | Jun 12 | http://www.ccsa.org.cn/english/tc/files.php?docpath=/ITU-R/M.1457/M.1457-12/TDD |
| ETSI | ETSI TS 122 057 | 9.0.0 | Published | Jan 10 | http://www.etsi.org/deliver/etsi_ts/122000_122099/122057/09.00.00_60/ |
| Release 10 | | | | | |
| ARIB | ARIB STD-T63-22.057 | 10.0.0 | Approved | Jul 13 | http://www.arib.or.jp/english/html/overview/doc/STD-T63v10_00/2_T63/ARIB-STD-T63/Rel10/22/A22057-a00.pdf |

| | | | | | |
|-------------------|---------------------|--------|-----------|--------|---|
| CCSA | CCSA-TSD-TDD-22.057 | 10.0.0 | Published | Jun 12 | http://www.ccsa.org.cn/english/tc/files.php?docpath=/ITU-R/M.1457/M.1457-12/TDD |
| ETSI | ETSI TS 122 057 | 10.0.0 | Published | May 11 | http://www.etsi.org/deliver/etsi_ts/122000_122099/122057/10.00.00_60/ |
| Release 11 | | | | | |
| ARIB | ARIB STD-T63-22.057 | 11.0.0 | Approved | Jul 13 | http://www.arib.or.jp/english/html/overview/doc/STD-T63v10_00/2_T63/ARIB-STD-T63/Rel11/22/A22057-b00.pdf |
| CCSA | CCSA-TSD-TDD-22.057 | 11.0.0 | Published | Jun 14 | http://www.ccsa.org.cn/english/tc/files.php?docpath=/ITU-R/M.1457/M.1457-12/TDD |
| ETSI | ETSI TS 122 057 | 11.0.0 | Published | Oct 12 | http://www.etsi.org/deliver/etsi_ts/122000_122099/122057/11.00.00_60/ |

5.3.2.13.16 TS 22.060

General Packet Radio Service (GPRS); Service description; Stage 1

This specification describes the Stage 1 description of the GPRS.

| SDO (2) | Document No. | Version | Status | Issued date | Location (1) |
|-------------------|---------------------------|---------|-----------|-------------|---|
| Release 99 | | | | | |
| CCSA | CCSA-TSD-TDD-22.060 | 3.5.0 | Published | Nov 00 | http://www.ccsa.org.cn/english/tc/files.php?docpath=/ITU-R/M.1457/M.1457-12/TDD |
| ETSI | ETSI TS 122 060 | 3.5.0 | Published | Nov 00 | http://www.etsi.org/deliver/etsi_ts/122000_122099/122060/03.05.00_60/ |
| TTC | JP-3GA-22.060(R99) | 3.5.0 | Approved | May 01 | http://www.ttc.or.jp/j/document_list/pdf/j/STD/JP-3GA-22.060(R99)v3.pdf |
| Release 4 | | | | | |
| CCSA | CCSA-TSD-TDD-22.060 | 4.4.0 | Published | Jul 02 | http://www.ccsa.org.cn/english/tc/files.php?docpath=/ITU-R/M.1457/M.1457-12/TDD |
| ETSI | ETSI TS 122 060 | 4.4.0 | Published | Jul 02 | http://www.etsi.org/deliver/etsi_ts/122000_122099/122060/04.04.00_60/ |
| TTC | TS-3GA-22.060(Rel4)v4.4.0 | 4.4.0 | Approved | Aug 02 | http://www.ttc.or.jp/j/document_list/free/TS/TS-3GA-22.060(Rel4)v4.4.0.pdf |
| Release 5 | | | | | |
| CCSA | CCSA-TSD-TDD-22.060 | 5.3.0 | Published | Apr 03 | http://www.ccsa.org.cn/english/tc/files.php?docpath=/ITU-R/M.1457/M.1457-12/TDD |
| ETSI | ETSI TS 122 060 | 5.3.0 | Published | Apr 03 | http://www.etsi.org/deliver/etsi_ts/122000_122099/122060/05.03.00_60/ |
| TTC | TS-3GA-22.060(Rel5)v5.3.0 | 5.3.0 | Approved | May 03 | http://www.ttc.or.jp/j/document_list/free/TS/TS-3GA-22.060(Rel5)v5.3.0.pdf |
| Release 6 | | | | | |
| CCSA | CCSA-TSD-TDD-22.060 | 6.0.0 | Published | Jan 05 | http://www.ccsa.org.cn/english/tc/files.php?docpath=/ITU-R/M.1457/M.1457-12/TDD |
| ETSI | ETSI TS 122 060 | 6.0.0 | Published | Jan 05 | http://www.etsi.org/deliver/etsi_ts/122000_122099/122060/06.00.00_60/ |
| TTC | TS-3GA-22.060(Rel6)v6.0.0 | 6.0.0 | Approved | Mar 08 | http://www.ttc.or.jp/j/document_list/free/TS/TS-3GA-22.060(Rel6)v6.0.0.pdf |
| Release 7 | | | | | |
| CCSA | CCSA-TSD-TDD-22.060 | 7.0.0 | Published | Jul 07 | http://www.ccsa.org.cn/english/tc/files.php?docpath=/ITU-R/M.1457/M.1457-12/TDD |
| ETSI | ETSI TS 122 060 | 7.0.0 | Published | Jul 07 | http://www.etsi.org/deliver/etsi_ts/122000_122099/122060/07.00.00_60/ |
| TTC | TS-3GA-22.060(Rel7)v7.0.0 | 7.0.0 | Approved | Mar 08 | http://www.ttc.or.jp/j/document_list/free/TS/TS-3GA-22.060(Rel7)v7.0.0.pdf |
| Release 8 | | | | | |
| CCSA | CCSA-TSD-TDD-22.060 | 8.0.0 | Published | Jan 09 | http://www.ccsa.org.cn/english/tc/files.php?docpath=/ITU-R/M.1457/M.1457-12/TDD |
| ETSI | ETSI TS 122 060 | 8.0.0 | Published | Jan 09 | http://www.etsi.org/deliver/etsi_ts/122000_122099/122060/08.00.00_60/ |
| TTC | TS-3GA-22.060(Rel8)v8.0.0 | 8.0.0 | Approved | Feb 09 | http://www.ttc.or.jp/j/document_list/free/3gpps2009/TS/TS-3GA-22.060(Rel8)v8.0.0.pdf |
| Release 9 | | | | | |
| CCSA | CCSA-TSD-TDD-22.060 | 9.0.0 | Published | Mar 10 | http://www.ccsa.org.cn/english/tc/files.php?docpath=/ITU-R/M.1457/M.1457-12/TDD |
| ETSI | ETSI TS 122 060 | 9.0.0 | Published | Feb 10 | http://www.etsi.org/deliver/etsi_ts/122000_122099/122060/09.00.00_60/ |
| TTC | TS-3GA-22.060(Rel9)v9.0.0 | 9.0.0 | Approved | Jul 10 | http://www.ttc.or.jp/j/document_list/free/3gpps2010/TS/TS-3GA-22.060(Rel9)v9.0.0.pdf |

Release 10

| | | | | | |
|------|-----------------------------|--------|-----------|--------|---|
| CCSA | CCSA-TSD-TDD-22.060 | 10.0.0 | Published | Jun 12 | http://www.ccsa.org.cn/english/tc/files.php?docpath=/ITU-R/M.1457/M.1457-12/TDD |
| ETSI | ETSI TS 122 060 | 10.0.0 | Published | May 11 | http://www.etsi.org/deliver/etsi_ts/122000_122099/122060/10.00.00_60/ |
| TTC | TS-3GA-22.060(Rel10)v10.0.0 | 10.0.0 | Approved | Jun 11 | http://www.ttc.or.jp/j/document_list/free/3gpps2011/TS/TS-3GA-22.060(Rel10)v10.0.0.pdf |

Release 11

| | | | | | |
|------|-----------------------------|--------|-----------|--------|---|
| CCSA | CCSA-TSD-TDD-22.060 | 11.0.0 | Published | Jun 14 | http://www.ccsa.org.cn/english/tc/files.php?docpath=/ITU-R/M.1457/M.1457-12/TDD |
| ETSI | ETSI TS 122 060 | 11.0.0 | Published | Oct 12 | http://www.etsi.org/deliver/etsi_ts/122000_122099/122060/11.00.00_60/ |
| TTC | TS-3GA-22.060(Rel11)v11.0.0 | 11.0.0 | Approved | Jun 13 | http://www.ttc.or.jp/j/document_list/free/3gpps2013/TS/TS-3GA-22.060(Rel11)v11.0.0.pdf |

5.3.2.13.17 TS 22.067**Enhanced Multi Level Precedence and Pre-emption service (eMLPP); Stage 1**

This specification describes the Stage 1 description of the enhanced multi-level precedence and pre-emption (eMLPP) service. This service has two parts: precedence and pre-emption. Precedence involves assigning a priority level to a call in combination with fast call set-up. Pre-emption involves the seizing of resources, which are in use by a call of a lower precedence, by a higher level precedence call in the absence of idle resources. Pre-emption can also involve the disconnection of an on-going call of lower precedence to accept an incoming call of higher precedence.

| SDO (2) | Document No. | Version | Status | Issued date | Location (1) |
|-------------------|---------------------|---------|-----------|-------------|---|
| Release 99 | | | | | |
| ARIB | ARIB STD-T63-22.067 | 3.0.1 | Approved | Jul 13 | http://www.arib.or.jp/english/html/overview/doc/STD-T63v10_00/2_T63/ARIB-STD-T63/R99/22/A22067-301.pdf |
| CCSA | CCSA-TSD-TDD-22.067 | 3.0.1 | Published | Feb 00 | http://www.ccsa.org.cn/english/tc/files.php?docpath=/ITU-R/M.1457/M.1457-12/TDD |
| ETSI | ETSI TS 122 067 | 3.0.1 | Published | Feb 00 | http://www.etsi.org/deliver/etsi_ts/122000_122099/122067/03.00.01_60/ |
| Release 4 | | | | | |
| ARIB | ARIB STD-T63-22.067 | 4.1.0 | Approved | Jul 13 | http://www.arib.or.jp/english/html/overview/doc/STD-T63v10_00/2_T63/ARIB-STD-T63/Rel4/22/A22067-410.pdf |
| CCSA | CCSA-TSD-TDD-22.067 | 4.1.0 | Published | Apr 02 | http://www.ccsa.org.cn/english/tc/files.php?docpath=/ITU-R/M.1457/M.1457-12/TDD |
| ETSI | ETSI TS 122 067 | 4.1.0 | Published | Apr 02 | http://www.etsi.org/deliver/etsi_ts/122000_122099/122067/04.01.00_60/ |
| Release 5 | | | | | |
| ARIB | ARIB STD-T63-22.067 | 5.0.0 | Approved | Jul 13 | http://www.arib.or.jp/english/html/overview/doc/STD-T63v10_00/2_T63/ARIB-STD-T63/Rel5/22/A22067-500.pdf |
| CCSA | CCSA-TSD-TDD-22.067 | 5.0.0 | Published | Jul 02 | http://www.ccsa.org.cn/english/tc/files.php?docpath=/ITU-R/M.1457/M.1457-12/TDD |
| ETSI | ETSI TS 122 067 | 5.0.0 | Published | Jul 02 | http://www.etsi.org/deliver/etsi_ts/122000_122099/122067/05.00.00_60/ |
| Release 6 | | | | | |
| ARIB | ARIB STD-T63-22.067 | 6.1.0 | Approved | Jul 13 | http://www.arib.or.jp/english/html/overview/doc/STD-T63v10_00/2_T63/ARIB-STD-T63/Rel6/22/A22067-610.pdf |
| CCSA | CCSA-TSD-TDD-22.067 | 6.1.0 | Published | Jan 05 | http://www.ccsa.org.cn/english/tc/files.php?docpath=/ITU-R/M.1457/M.1457-12/TDD |
| ETSI | ETSI TS 122 067 | 6.1.0 | Published | Jan 05 | http://www.etsi.org/deliver/etsi_ts/122000_122099/122067/06.01.00_60/ |
| Release 7 | | | | | |
| ARIB | ARIB STD-T63-22.067 | 7.0.0 | Approved | Jul 13 | http://www.arib.or.jp/english/html/overview/doc/STD-T63v10_00/2_T63/ARIB-STD-T63/Rel7/22/A22067-700.pdf |
| CCSA | CCSA-TSD-TDD-22.067 | 7.0.0 | Published | Apr 07 | http://www.ccsa.org.cn/english/tc/files.php?docpath=/ITU-R/M.1457/M.1457-12/TDD |
| ETSI | ETSI TS 122 067 | 7.0.0 | Published | Apr 07 | http://www.etsi.org/deliver/etsi_ts/122000_122099/122067/07.00.00_60/ |
| Release 8 | | | | | |

| | | | | | |
|-------------------|---------------------|--------|-----------|--------|---|
| ARIB | ARIB STD-T63-22.067 | 8.0.0 | Approved | Jul 13 | http://www.arib.or.jp/english/html/overview/doc/STD-T63v10_00/2_T63/ARIB-STD-T63/Rel8/22/A22067-800.pdf |
| CCSA | CCSA-TSD-TDD-22.067 | 8.0.0 | Published | Jan 08 | http://www.ccsa.org.cn/english/tc/files.php?docpath=/ITU-R/M.1457/M.1457-12/TDD |
| ETSI | ETSI TS 122 067 | 8.0.0 | Published | Jan 08 | http://www.etsi.org/deliver/etsi_ts/122000_122099/122067/08.00.00_60/ |
| Release 9 | | | | | |
| ARIB | ARIB STD-T63-22.067 | 9.0.0 | Approved | Jul 13 | http://www.arib.or.jp/english/html/overview/doc/STD-T63v10_00/2_T63/ARIB-STD-T63/Rel9/22/A22067-900.pdf |
| CCSA | CCSA-TSD-TDD-22.067 | 9.0.0 | Published | Mar 10 | http://www.ccsa.org.cn/english/tc/files.php?docpath=/ITU-R/M.1457/M.1457-12/TDD |
| ETSI | ETSI TS 122 067 | 9.0.0 | Published | Jan 10 | http://www.etsi.org/deliver/etsi_ts/122000_122099/122067/09.00.00_60/ |
| Release 10 | | | | | |
| ARIB | ARIB STD-T63-22.067 | 10.0.0 | Approved | Jul 13 | http://www.arib.or.jp/english/html/overview/doc/STD-T63v10_00/2_T63/ARIB-STD-T63/Rel10/22/A22067-a00.pdf |
| CCSA | CCSA-TSD-TDD-22.067 | 10.0.0 | Published | Jun 12 | http://www.ccsa.org.cn/english/tc/files.php?docpath=/ITU-R/M.1457/M.1457-12/TDD |
| ETSI | ETSI TS 122 067 | 10.0.0 | Published | May 11 | http://www.etsi.org/deliver/etsi_ts/122000_122099/122067/10.00.00_60/ |
| Release 11 | | | | | |
| ARIB | ARIB STD-T63-22.067 | 11.0.0 | Approved | Jul 13 | http://www.arib.or.jp/english/html/overview/doc/STD-T63v10_00/2_T63/ARIB-STD-T63/Rel11/22/A22067-b00.pdf |
| CCSA | CCSA-TSD-TDD-22.067 | 11.1.0 | Published | Jun 14 | http://www.ccsa.org.cn/english/tc/files.php?docpath=/ITU-R/M.1457/M.1457-12/TDD |
| ETSI | ETSI TS 122 067 | 11.0.0 | Published | Nov 12 | http://www.etsi.org/deliver/etsi_ts/122000_122099/122067/11.00.00_60/ |

5.3.2.13.18 TS 22.071

Location Services (LCS); Service description; Stage 1

LCS is a network provided enabling technology consisting of standardized service capabilities which enables the provision of location applications. This application may be service provider specific. The description of the numerous and varied possible location applications which are enabled by this technology are outside the scope of this specification. However, clarifying examples of how the functionality being specified may be used to provide specific LCS is included in various sections of the specification.

| SDO (2) | Document No. | Version | Status | Issued date | Location (1) |
|-------------------|---------------------|---------|-----------|-------------|---|
| Release 99 | | | | | |
| ARIB | ARIB STD-T63-22.071 | 3.5.0 | Approved | Jul 13 | http://www.arib.or.jp/english/html/overview/doc/STD-T63v10_00/2_T63/ARIB-STD-T63/R99/22/A22071-350.pdf |
| CCSA | CCSA-TSD-TDD-22.071 | 3.5.0 | Published | Apr 04 | http://www.ccsa.org.cn/english/tc/files.php?docpath=/ITU-R/M.1457/M.1457-12/TDD |
| ETSI | ETSI TS 122 071 | 3.5.0 | Published | Apr 04 | http://www.etsi.org/deliver/etsi_ts/122000_122099/122071/03.05.00_60/ |
| Release 4 | | | | | |
| ARIB | ARIB STD-T63-22.071 | 4.6.0 | Approved | Jul 13 | http://www.arib.or.jp/english/html/overview/doc/STD-T63v10_00/2_T63/ARIB-STD-T63/Rel4/22/A22071-460.pdf |
| CCSA | CCSA-TSD-TDD-22.071 | 4.6.0 | Published | Apr 04 | http://www.ccsa.org.cn/english/tc/files.php?docpath=/ITU-R/M.1457/M.1457-12/TDD |
| ETSI | ETSI TS 122 071 | 4.6.0 | Published | Apr 04 | http://www.etsi.org/deliver/etsi_ts/122000_122099/122071/04.06.00_60/ |
| Release 5 | | | | | |
| ARIB | ARIB STD-T63-22.071 | 5.4.0 | Approved | Jul 13 | http://www.arib.or.jp/english/html/overview/doc/STD-T63v10_00/2_T63/ARIB-STD-T63/Rel5/22/A22071-540.pdf |
| CCSA | CCSA-TSD-TDD-22.071 | 5.4.0 | Published | Apr 04 | http://www.ccsa.org.cn/english/tc/files.php?docpath=/ITU-R/M.1457/M.1457-12/TDD |
| ETSI | ETSI TS 122 071 | 5.4.0 | Published | Apr 04 | http://www.etsi.org/deliver/etsi_ts/122000_122099/122071/05.04.00_60/ |
| Release 6 | | | | | |
| ARIB | ARIB STD-T63-22.071 | 6.7.0 | Approved | Jul 13 | http://www.arib.or.jp/english/html/overview/doc/STD-T63v10_00/2_T63/ARIB-STD-T63/Rel6/22/A22071-670.pdf |
| CCSA | CCSA-TSD-TDD-22.071 | 6.7.0 | Published | Jan 05 | http://www.ccsa.org.cn/english/tc/files.php?docpath=/ITU-R/M.1457/M.1457-12/TDD |
| ETSI | ETSI TS 122 071 | 6.7.0 | Published | Jan 05 | http://www.etsi.org/deliver/etsi_ts/122000_122099/122071/06.07.00_60/ |
| Release 7 | | | | | |
| ARIB | ARIB STD-T63-22.071 | 7.4.0 | Approved | Jul 13 | http://www.arib.or.jp/english/html/overview/doc/STD-T63v10_00/2_T63/ARIB-STD-T63/Rel7/22/A22071-740.pdf |

| | | | | | |
|-------------------|---------------------|--------|-----------|--------|---|
| CCSA | CCSA-TSD-TDD-22.071 | 7.4.0 | Published | Jan 06 | http://www.ccsa.org.cn/english/tc/files.php?docpath=/ITU-R/M.1457/M.1457-12/TDD |
| ETSI | ETSI TS 122 071 | 7.4.0 | Published | Jan 06 | http://www.etsi.org/deliver/etsi_ts/122000_122099/122071/07.04.00_60/ |
| Release 8 | | | | | |
| ARIB | ARIB STD-T63-22.071 | 8.1.0 | Approved | Jul 13 | http://www.arib.or.jp/english/html/overview/doc/STD-T63v10_00/2_T63/ARIB-STD-T63/Rel8/22/A22071-810.pdf |
| CCSA | CCSA-TSD-TDD-22.071 | 8.1.0 | Published | Jan 09 | http://www.ccsa.org.cn/english/tc/files.php?docpath=/ITU-R/M.1457/M.1457-12/TDD |
| ETSI | ETSI TS 122 071 | 8.1.0 | Published | Jan 09 | http://www.etsi.org/deliver/etsi_ts/122000_122099/122071/08.01.00_60/ |
| Release 9 | | | | | |
| ARIB | ARIB STD-T63-22.071 | 9.1.0 | Approved | Jul 13 | http://www.arib.or.jp/english/html/overview/doc/STD-T63v10_00/2_T63/ARIB-STD-T63/Rel9/22/A22071-910.pdf |
| CCSA | CCSA-TSD-TDD-22.071 | 9.1.0 | Published | Jun 12 | http://www.ccsa.org.cn/english/tc/files.php?docpath=/ITU-R/M.1457/M.1457-12/TDD |
| ETSI | ETSI TS 122 071 | 9.1.0 | Published | Oct 10 | http://www.etsi.org/deliver/etsi_ts/122000_122099/122071/09.01.00_60/ |
| Release 10 | | | | | |
| ARIB | ARIB STD-T63-22.071 | 10.0.0 | Approved | Jul 13 | http://www.arib.or.jp/english/html/overview/doc/STD-T63v10_00/2_T63/ARIB-STD-T63/Rel10/22/A22071-a00.pdf |
| CCSA | CCSA-TSD-TDD-22.071 | 10.0.0 | Published | Jun 12 | http://www.ccsa.org.cn/english/tc/files.php?docpath=/ITU-R/M.1457/M.1457-12/TDD |
| ETSI | ETSI TS 122 071 | 10.0.0 | Published | May 11 | http://www.etsi.org/deliver/etsi_ts/122000_122099/122071/10.00.00_60/ |
| Release 11 | | | | | |
| ARIB | ARIB STD-T63-22.071 | 11.0.0 | Approved | Jul 13 | http://www.arib.or.jp/english/html/overview/doc/STD-T63v10_00/2_T63/ARIB-STD-T63/Rel11/22/A22071-b00.pdf |
| CCSA | CCSA-TSD-TDD-22.071 | 11.0.0 | Published | Jun 14 | http://www.ccsa.org.cn/english/tc/files.php?docpath=/ITU-R/M.1457/M.1457-12/TDD |
| ETSI | ETSI TS 122 071 | 11.0.0 | Published | Oct 12 | http://www.etsi.org/deliver/etsi_ts/122000_122099/122071/11.00.00_60/ |

5.3.2.13.19 TS 22.078

Customized Applications for Mobile network Enhanced Logic (CAMEL); Service description; Stage 1

This specification describes the Stage 1 description for CAMEL feature which provides the mechanisms to support services consistently independently of the serving network. The CAMEL features shall facilitate service control of operator specific services external from the serving network. The CAMEL feature is a network feature and not a supplementary service. It is a tool to help the network operator to provide the subscribers with the operator specific services even when roaming outside the home network.

| SDO (2) | Document No. | Version | Status | Issued date | Location (1) |
|-------------------|----------------------------|---------|-----------|-------------|---|
| Release 99 | | | | | |
| CCSA | CCSA-TSD-TDD-22.078 | 3.9.0 | Published | Apr 02 | http://www.ccsa.org.cn/english/tc/files.php?docpath=/ITU-R/M.1457/M.1457-12/TDD |
| ETSI | ETSI TS 122 078 | 3.9.0 | Published | Apr 02 | http://www.etsi.org/deliver/etsi_ts/122000_122099/122078/03.09.00_60/ |
| TTC | TS-3GA-22.078(R99)v3.9.0 | 3.9.0 | Approved | May 02 | http://www.ttc.or.jp/j/document_list/free/TS/TS-3GA-22.078(R99)v3.9.0.pdf |
| Release 4 | | | | | |
| CCSA | CCSA-TSD-TDD-22.078 | 4.5.0 | Published | Apr 02 | http://www.ccsa.org.cn/english/tc/files.php?docpath=/ITU-R/M.1457/M.1457-12/TDD |
| ETSI | ETSI TS 122 078 | 4.5.0 | Published | Apr 02 | http://www.etsi.org/deliver/etsi_ts/122000_122099/122078/04.05.00_60/ |
| TTC | TS-3GA-22.078(Rel4)v4.5.0 | 4.5.0 | Approved | May 02 | http://www.ttc.or.jp/j/document_list/free/TS/TS-3GA-22.078(Rel4)v4.5.0.pdf |
| Release 5 | | | | | |
| CCSA | CCSA-TSD-TDD-22.078 | 5.15.0 | Published | Apr 05 | http://www.ccsa.org.cn/english/tc/files.php?docpath=/ITU-R/M.1457/M.1457-12/TDD |
| ETSI | ETSI TS 122 078 | 5.15.0 | Published | Apr 05 | http://www.etsi.org/deliver/etsi_ts/122000_122099/122078/05.15.00_60/ |
| TTC | TS-3GA-22.078(Rel5)v5.15.0 | 5.15.0 | Approved | May 05 | http://www.ttc.or.jp/j/document_list/free/TS/TS-3GA-22.078(Rel5)v5.15.0.pdf |
| Release 6 | | | | | |

| | | | | | |
|-------------------|-----------------------------|--------|-----------|--------|---|
| CCSA | CCSA-TSD-TDD-22.078 | 6.9.0 | Published | Oct 05 | http://www.ccsa.org.cn/english/tc/files.php?docpath=/ITU-R/M.1457/M.1457-12/TDD |
| ETSI | ETSI TS 122 078 | 6.9.0 | Published | Oct 05 | http://www.etsi.org/deliver/etsi_ts/122000_122099/122078/06.09.00_60/ |
| TTC | TS-3GA-22.078(Rel6)v6.9.0 | 6.9.0 | Approved | Nov 05 | http://www.ttc.or.jp/j/document_list/free/TS/TS-3GA-22.078(Rel6)v6.9.0.pdf |
| Release 7 | | | | | |
| CCSA | CCSA-TSD-TDD-22.078 | 7.6.0 | Published | Jan 06 | http://www.ccsa.org.cn/english/tc/files.php?docpath=/ITU-R/M.1457/M.1457-12/TDD |
| ETSI | ETSI TS 122 078 | 7.6.0 | Published | Jan 06 | http://www.etsi.org/deliver/etsi_ts/122000_122099/122078/07.06.00_60/ |
| TTC | TS-3GA-22.078(Rel7)v7.6.0 | 7.6.0 | Approved | Mar 08 | http://www.ttc.or.jp/j/document_list/free/TS/TS-3GA-22.078(Rel7)v7.6.0.pdf |
| Release 8 | | | | | |
| CCSA | CCSA-TSD-TDD-22.078 | 8.0.0 | Published | Jan 09 | http://www.ccsa.org.cn/english/tc/files.php?docpath=/ITU-R/M.1457/M.1457-12/TDD |
| ETSI | ETSI TS 122 078 | 8.0.0 | Published | Jan 09 | http://www.etsi.org/deliver/etsi_ts/122000_122099/122078/08.00.00_60/ |
| TTC | TS-3GA-22.078(Rel8)v8.0.0 | 8.0.0 | Approved | Feb 09 | http://www.ttc.or.jp/j/document_list/free/3gpps2009/TS/TS-3GA-22.078(Rel8)v8.0.0.pdf |
| Release 9 | | | | | |
| CCSA | CCSA-TSD-TDD-22.078 | 9.0.0 | Published | Mar 10 | http://www.ccsa.org.cn/english/tc/files.php?docpath=/ITU-R/M.1457/M.1457-12/TDD |
| ETSI | ETSI TS 122 078 | 9.0.0 | Published | Feb 10 | http://www.etsi.org/deliver/etsi_ts/122000_122099/122078/09.00.00_60/ |
| TTC | TS-3GA-22.078(Rel9)v9.0.0 | 9.0.0 | Approved | Jul 10 | http://www.ttc.or.jp/j/document_list/free/3gpps2010/TS/TS-3GA-22.078(Rel9)v9.0.0.pdf |
| Release 10 | | | | | |
| CCSA | CCSA-TSD-TDD-22.078 | 10.0.0 | Published | Jun 12 | http://www.ccsa.org.cn/english/tc/files.php?docpath=/ITU-R/M.1457/M.1457-12/TDD |
| ETSI | ETSI TS 122 078 | 10.0.0 | Published | Apr 11 | http://www.etsi.org/deliver/etsi_ts/122000_122099/122078/10.00.00_60/ |
| TTC | TS-3GA-22.078(Rel10)v10.0.0 | 10.0.0 | Approved | Jun 11 | http://www.ttc.or.jp/j/document_list/free/3gpps2011/TS/TS-3GA-22.078(Rel10)v10.0.0.pdf |
| Release 11 | | | | | |
| CCSA | CCSA-TSD-TDD-22.078 | 11.0.0 | Published | Jun 14 | http://www.ccsa.org.cn/english/tc/files.php?docpath=/ITU-R/M.1457/M.1457-12/TDD |
| ETSI | ETSI TS 122 078 | 11.0.0 | Published | Oct 12 | http://www.etsi.org/deliver/etsi_ts/122000_122099/122078/11.00.00_60/ |
| TTC | TS-3GA-22.078(Rel11)v11.0.0 | 11.0.0 | Approved | Jun 13 | http://www.ttc.or.jp/j/document_list/free/3gpps2013/TS/TS-3GA-22.078(Rel11)v11.0.0.pdf |

5.3.2.13.20 TS 22.081

Line Identification supplementary services; Stage 1

This document specifies the supplementary services belonging to the group Line Identification Supplementary Services, which consist of Calling line identification presentation (CLIP), Calling line identification restriction (CLIR), Connected line identification presentation (COLP), and Connected line identification restriction (COLR).

| SDO (2) | Document No. | Version | Status | Issued date | Location (1) |
|-------------------|---------------------------|---------|-----------|-------------|---|
| Release 99 | | | | | |
| ETSI | ETSI TS 122 081 | 3.2.0 | Published | Aug 00 | http://www.etsi.org/deliver/etsi_ts/122000_122099/122081/03.02.00_60/ |
| TTC | JP-3GA-22.081(R99) | 3.2.0 | Approved | Nov 00 | http://www.ttc.or.jp/j/document_list/pdf/j/STD/JP-3GA-22.081(R99)v2.pdf |
| Release 4 | | | | | |
| CCSA | CCSA-TSD-TDD-22.081 | 4.1.0 | Published | Jun 14 | http://www.ccsa.org.cn/english/tc/files.php?docpath=/ITU-R/M.1457/M.1457-12/TDD |
| ETSI | ETSI TS 122 081 | 4.1.0 | Published | Apr 02 | http://www.etsi.org/deliver/etsi_ts/122000_122099/122081/04.01.00_60/ |
| TTC | TS-3GA-22.081(Rel4)v4.1.0 | 4.1.0 | Approved | May 02 | http://www.ttc.or.jp/j/document_list/free/TS/TS-3GA-22.081(Rel4)v4.1.0.pdf |
| Release 5 | | | | | |

| | | | | | |
|-------------------|-----------------------------|--------|-----------|--------|---|
| CCSA | CCSA-TSD-TDD-22.081 | 5.0.0 | Published | Jun 14 | http://www.ccsa.org.cn/english/tc/files.php?docpath=/ITU-R/M.1457/M.1457-12/TDD |
| ETSI | ETSI TS 122 081 | 5.0.0 | Published | Jul 02 | http://www.etsi.org/deliver/etsi_ts/122000_122099/122081/05.00.00_60/ |
| TTC | TS-3GA-22.081(Rel5)v5.0.0 | 5.0.0 | Approved | Aug 02 | http://www.ttc.or.jp/j/document_list/free/TS/TS-3GA-22.081(Rel5)v5.0.0.pdf |
| Release 6 | | | | | |
| CCSA | CCSA-TSD-TDD-22.081 | 6.0.0 | Published | Jun 14 | http://www.ccsa.org.cn/english/tc/files.php?docpath=/ITU-R/M.1457/M.1457-12/TDD |
| ETSI | ETSI TS 122 081 | 6.0.0 | Published | Jan 05 | http://www.etsi.org/deliver/etsi_ts/122000_122099/122081/06.00.00_60/ |
| TTC | TS-3GA-22.081(Rel6)v6.0.0 | 6.0.0 | Approved | Mar 05 | http://www.ttc.or.jp/j/document_list/free/TS/TS-3GA-22.081(Rel6)v6.0.0.pdf |
| Release 7 | | | | | |
| CCSA | CCSA-TSD-TDD-22.081 | 7.0.0 | Published | Jun 14 | http://www.ccsa.org.cn/english/tc/files.php?docpath=/ITU-R/M.1457/M.1457-12/TDD |
| ETSI | ETSI TS 122 081 | 7.0.0 | Published | Jul 07 | http://www.etsi.org/deliver/etsi_ts/122000_122099/122081/07.00.00_60/ |
| TTC | TS-3GA-22.081(Rel7)v7.0.0 | 7.0.0 | Approved | Mar 08 | http://www.ttc.or.jp/j/document_list/free/TS/TS-3GA-22.081(Rel7)v7.0.0.pdf |
| Release 8 | | | | | |
| CCSA | CCSA-TSD-TDD-22.081 | 8.0.0 | Published | Jun 14 | http://www.ccsa.org.cn/english/tc/files.php?docpath=/ITU-R/M.1457/M.1457-12/TDD |
| ETSI | ETSI TS 122 081 | 8.0.0 | Published | Jan 09 | http://www.etsi.org/deliver/etsi_ts/122000_122099/122081/08.00.00_60/ |
| TTC | TS-3GA-22.081(Rel8)v8.0.0 | 8.0.0 | Approved | Feb 09 | http://www.ttc.or.jp/j/document_list/free/3gpps2009/TS/TS-3GA-22.081(Rel8)v8.0.0.pdf |
| Release 9 | | | | | |
| CCSA | CCSA-TSD-TDD-22.081 | 9.0.0 | Published | Jun 14 | http://www.ccsa.org.cn/english/tc/files.php?docpath=/ITU-R/M.1457/M.1457-12/TDD |
| ETSI | ETSI TS 122 081 | 9.0.0 | Published | Jan 10 | http://www.etsi.org/deliver/etsi_ts/122000_122099/122081/09.00.00_60/ |
| TTC | TS-3GA-22.081(Rel9)v9.0.0 | 9.0.0 | Approved | Jul 10 | http://www.ttc.or.jp/j/document_list/free/3gpps2010/TS/TS-3GA-22.081(Rel9)v9.0.0.pdf |
| Release 10 | | | | | |
| CCSA | CCSA-TSD-TDD-22.081 | 10.0.0 | Published | Jun 14 | http://www.ccsa.org.cn/english/tc/files.php?docpath=/ITU-R/M.1457/M.1457-12/TDD |
| ETSI | ETSI TS 122 081 | 10.0.0 | Published | May 11 | http://www.etsi.org/deliver/etsi_ts/122000_122099/122081/10.00.00_60/ |
| TTC | TS-3GA-22.081(Rel10)v10.0.0 | 10.0.0 | Approved | Jun 11 | http://www.ttc.or.jp/j/document_list/free/3gpps2011/TS/TS-3GA-22.081(Rel10)v10.0.0.pdf |
| Release 11 | | | | | |
| CCSA | CCSA-TSD-TDD-22.081 | 11.0.0 | Published | Jun 14 | http://www.ccsa.org.cn/english/tc/files.php?docpath=/ITU-R/M.1457/M.1457-12/TDD |
| ETSI | ETSI TS 122 081 | 11.1.0 | Published | Nov 12 | http://www.etsi.org/deliver/etsi_ts/122000_122099/122081/11.01.00_60/ |
| TTC | TS-3GA-22.081(Rel11)v11.1.0 | 11.1.0 | Approved | Jun 13 | http://www.ttc.or.jp/j/document_list/free/3gpps2013/TS/TS-3GA-22.081(Rel11)v11.1.0.pdf |

5.3.2.13.21 TS 22.082

Call Forwarding (CF) Supplementary Services; Stage 1

This document specifies the supplementary services belonging to the group Call Offering Supplementary Services, which consist of Call forwarding unconditional, Call forwarding on mobile subscriber busy, Call forwarding on no reply, and Call forwarding on mobile subscriber not reachable.

| SDO (2) | Document No. | Version | Status | Issued date | Location (1) |
|-------------------|---------------------------|---------|-----------|-------------|---|
| Release 99 | | | | | |
| ETSI | ETSI TS 122 082 | 3.0.2 | Published | Apr 04 | http://www.etsi.org/deliver/etsi_ts/122000_122099/122082/03.00.02_60/ |
| TTC | JP-3GA-22.082(R99) | 3.0.1 | Approved | Mar 00 | http://www.ttc.or.jp/j/document_list/pdf/j/STD/JP-3GA-22.082(R99)v1.pdf |
| Release 4 | | | | | |
| CCSA | CCSA-TSD-TDD-22.082 | 4.2.0 | Published | Jun 14 | http://www.ccsa.org.cn/english/tc/files.php?docpath=/ITU-R/M.1457/M.1457-12/TDD |
| ETSI | ETSI TS 122 082 | 4.2.0 | Published | Apr 02 | http://www.etsi.org/deliver/etsi_ts/122000_122099/122082/04.02.00_60/ |
| TTC | TS-3GA-22.082(Rel4)v4.2.0 | 4.2.0 | Approved | May 02 | http://www.ttc.or.jp/j/document_list/free/TS/TS-3GA-22.082(Rel4)v4.2.0.pdf |

Release 5

| | | | | | |
|------|---------------------------|-------|-----------|--------|---|
| CCSA | CCSA-TSD-TDD-22.082 | 5.0.0 | Published | Jun 14 | http://www.ccsa.org.cn/english/tc/files.php?docpath=/ITU-R/M.1457/M.1457-12/TDD |
| ETSI | ETSI TS 122 082 | 5.0.0 | Published | Jul 02 | http://www.etsi.org/deliver/etsi_ts/122000_122099/122082/05.00.00_60/ |
| TTC | TS-3GA-22.082(Rel5)v5.0.0 | 5.0.0 | Approved | Aug 02 | http://www.ttc.or.jp/j/document_list/free/TS/TS-3GA-22.082(Rel5)v5.0.0.pdf |

Release 6

| | | | | | |
|------|---------------------------|-------|-----------|--------|---|
| CCSA | CCSA-TSD-TDD-22.082 | 6.0.0 | Published | Jun 14 | http://www.ccsa.org.cn/english/tc/files.php?docpath=/ITU-R/M.1457/M.1457-12/TDD |
| ETSI | ETSI TS 122 082 | 6.0.0 | Published | Jan 05 | http://www.etsi.org/deliver/etsi_ts/122000_122099/122082/06.00.00_60/ |
| TTC | TS-3GA-22.082(Rel6)v6.0.0 | 6.0.0 | Approved | Mar 05 | http://www.ttc.or.jp/j/document_list/free/TS/TS-3GA-22.082(Rel6)v6.0.0.pdf |

Release 7

| | | | | | |
|------|---------------------------|-------|-----------|--------|---|
| CCSA | CCSA-TSD-TDD-22.082 | 7.0.0 | Published | Jun 14 | http://www.ccsa.org.cn/english/tc/files.php?docpath=/ITU-R/M.1457/M.1457-12/TDD |
| ETSI | ETSI TS 122 082 | 7.0.0 | Published | Jul 07 | http://www.etsi.org/deliver/etsi_ts/122000_122099/122082/07.00.00_60/ |
| TTC | TS-3GA-22.082(Rel7)v7.0.0 | 7.0.0 | Approved | Mar 08 | http://www.ttc.or.jp/j/document_list/free/TS/TS-3GA-22.082(Rel7)v7.0.0.pdf |

Release 8

| | | | | | |
|------|---------------------------|-------|-----------|--------|---|
| CCSA | CCSA-TSD-TDD-22.082 | 8.0.0 | Published | Jun 14 | http://www.ccsa.org.cn/english/tc/files.php?docpath=/ITU-R/M.1457/M.1457-12/TDD |
| ETSI | ETSI TS 122 082 | 8.0.0 | Published | Jan 09 | http://www.etsi.org/deliver/etsi_ts/122000_122099/122082/08.00.00_60/ |
| TTC | TS-3GA-22.082(Rel8)v8.0.0 | 8.0.0 | Approved | Feb 09 | http://www.ttc.or.jp/j/document_list/free/3gpps2009/TS/TS-3GA-22.082(Rel8)v8.0.0.pdf |

Release 9

| | | | | | |
|------|---------------------------|-------|-----------|--------|---|
| CCSA | CCSA-TSD-TDD-22.082 | 9.0.0 | Published | Jun 14 | http://www.ccsa.org.cn/english/tc/files.php?docpath=/ITU-R/M.1457/M.1457-12/TDD |
| ETSI | ETSI TS 122 082 | 9.0.0 | Published | Feb 10 | http://www.etsi.org/deliver/etsi_ts/122000_122099/122082/09.00.00_60/ |
| TTC | TS-3GA-22.082(Rel9)v9.0.0 | 9.0.0 | Approved | Jul 10 | http://www.ttc.or.jp/j/document_list/free/3gpps2010/TS/TS-3GA-22.082(Rel9)v9.0.0.pdf |

Release 10

| | | | | | |
|------|-----------------------------|--------|-----------|--------|---|
| CCSA | CCSA-TSD-TDD-22.082 | 10.0.0 | Published | Jun 14 | http://www.ccsa.org.cn/english/tc/files.php?docpath=/ITU-R/M.1457/M.1457-12/TDD |
| ETSI | ETSI TS 122 082 | 10.0.0 | Published | May 11 | http://www.etsi.org/deliver/etsi_ts/122000_122099/122082/10.00.00_60/ |
| TTC | TS-3GA-22.082(Rel10)v10.0.0 | 10.0.0 | Approved | Jun 11 | http://www.ttc.or.jp/j/document_list/free/3gpps2011/TS/TS-3GA-22.082(Rel10)v10.0.0.pdf |

Release 11

| | | | | | |
|------|-----------------------------|--------|-----------|--------|---|
| CCSA | CCSA-TSD-TDD-22.082 | 11.0.0 | Published | Jun 14 | http://www.ccsa.org.cn/english/tc/files.php?docpath=/ITU-R/M.1457/M.1457-12/TDD |
| ETSI | ETSI TS 122 082 | 11.0.0 | Published | Nov 12 | http://www.etsi.org/deliver/etsi_ts/122000_122099/122082/11.00.00_60/ |
| TTC | TS-3GA-22.082(Rel11)v11.0.0 | 11.0.0 | Approved | Jun 13 | http://www.ttc.or.jp/j/document_list/free/3gpps2013/TS/TS-3GA-22.082(Rel11)v11.0.0.pdf |

5.3.2.13.22 TS 22.083**Call Waiting (CW) and Call Holding (HOLD); Supplementary Services; Stage 1**

This document specifies the supplementary services belonging to the group Call Completion Supplementary Services, which consist of Call waiting and Call hold.

| SDO (2) | Document No. | Version | Status | Issued date | Location (1) |
|-------------------|---------------------------|---------|-----------|-------------|---|
| Release 99 | | | | | |
| ETSI | ETSI TS 122 083 | 3.0.1 | Published | Feb 00 | http://www.etsi.org/deliver/etsi_ts/122000_122099/122083/03.00.01_60/ |
| TTC | JP-3GA-22.083(R99) | 3.0.1 | Approved | Mar 00 | http://www.ttc.or.jp/j/document_list/pdf/j/STD/JP-3GA-22.083(R99)v1.pdf |
| Release 4 | | | | | |
| CCSA | CCSA-TSD-TDD-22.083 | 4.1.0 | Published | Jun 14 | http://www.ccsa.org.cn/english/tc/files.php?docpath=/ITU-R/M.1457/M.1457-12/TDD |
| ETSI | ETSI TS 122 083 | 4.1.0 | Published | Apr 02 | http://www.etsi.org/deliver/etsi_ts/122000_122099/122083/04.01.00_60/ |
| TTC | TS-3GA-22.083(Rel4)v4.1.0 | 4.1.0 | Approved | May 02 | http://www.ttc.or.jp/j/document_list/free/TS/TS-3GA-22.083(Rel4)v4.1.0.pdf |

Release 5

| | | | | | |
|------|---------------------------|-------|-----------|--------|---|
| CCSA | CCSA-TSD-TDD-22.083 | 5.0.0 | Published | Jun 14 | http://www.ccsa.org.cn/english/tc/files.php?docpath=/ITU-R/M.1457/M.1457-12/TDD |
| ETSI | ETSI TS 122 083 | 5.0.0 | Published | Jul 02 | http://www.etsi.org/deliver/etsi_ts/122000_122099/122083/05.00.00_60/ |
| TTC | TS-3GA-22.083(Rel5)v5.0.0 | 5.0.0 | Approved | Aug 02 | http://www.ttc.or.jp/j/document_list/free/TS/TS-3GA-22.083(Rel5)v5.0.0.pdf |

Release 6

| | | | | | |
|------|---------------------------|-------|-----------|--------|---|
| CCSA | CCSA-TSD-TDD-22.083 | 6.0.0 | Published | Jun 14 | http://www.ccsa.org.cn/english/tc/files.php?docpath=/ITU-R/M.1457/M.1457-12/TDD |
| ETSI | ETSI TS 122 083 | 6.0.0 | Published | Jan 05 | http://www.etsi.org/deliver/etsi_ts/122000_122099/122083/06.00.00_60/ |
| TTC | TS-3GA-22.083(Rel6)v6.0.0 | 6.0.0 | Approved | Mar 05 | http://www.ttc.or.jp/j/document_list/free/TS/TS-3GA-22.083(Rel6)v6.0.0.pdf |

Release 7

| | | | | | |
|------|---------------------------|-------|-----------|--------|---|
| CCSA | CCSA-TSD-TDD-22.083 | 7.0.0 | Published | Jun 14 | http://www.ccsa.org.cn/english/tc/files.php?docpath=/ITU-R/M.1457/M.1457-12/TDD |
| ETSI | ETSI TS 122 083 | 7.0.0 | Published | Jul 07 | http://www.etsi.org/deliver/etsi_ts/122000_122099/122083/07.00.00_60/ |
| TTC | TS-3GA-22.083(Rel7)v7.0.0 | 7.0.0 | Approved | Mar 08 | http://www.ttc.or.jp/j/document_list/free/TS/TS-3GA-22.083(Rel7)v7.0.0.pdf |

Release 8

| | | | | | |
|------|---------------------------|-------|-----------|--------|---|
| CCSA | CCSA-TSD-TDD-22.083 | 8.0.0 | Published | Jun 14 | http://www.ccsa.org.cn/english/tc/files.php?docpath=/ITU-R/M.1457/M.1457-12/TDD |
| ETSI | ETSI TS 122 083 | 8.0.0 | Published | Jan 09 | http://www.etsi.org/deliver/etsi_ts/122000_122099/122083/08.00.00_60/ |
| TTC | TS-3GA-22.083(Rel8)v8.0.0 | 8.0.0 | Approved | Feb 09 | http://www.ttc.or.jp/j/document_list/free/3gpps2009/TS/TS-3GA-22.083(Rel8)v8.0.0.pdf |

Release 9

| | | | | | |
|------|---------------------------|-------|-----------|--------|---|
| CCSA | CCSA-TSD-TDD-22.083 | 9.0.0 | Published | Jun 14 | http://www.ccsa.org.cn/english/tc/files.php?docpath=/ITU-R/M.1457/M.1457-12/TDD |
| ETSI | ETSI TS 122 083 | 9.0.0 | Published | Jan 10 | http://www.etsi.org/deliver/etsi_ts/122000_122099/122083/09.00.00_60/ |
| TTC | TS-3GA-22.083(Rel9)v9.0.0 | 9.0.0 | Approved | Jul 10 | http://www.ttc.or.jp/j/document_list/free/3gpps2010/TS/TS-3GA-22.083(Rel9)v9.0.0.pdf |

Release 10

| | | | | | |
|------|-----------------------------|--------|-----------|--------|---|
| CCSA | CCSA-TSD-TDD-22.083 | 10.0.0 | Published | Jun 14 | http://www.ccsa.org.cn/english/tc/files.php?docpath=/ITU-R/M.1457/M.1457-12/TDD |
| ETSI | ETSI TS 122 083 | 10.0.0 | Published | May 11 | http://www.etsi.org/deliver/etsi_ts/122000_122099/122083/10.00.00_60/ |
| TTC | TS-3GA-22.083(Rel10)v10.0.0 | 10.0.0 | Approved | Jun 11 | http://www.ttc.or.jp/j/document_list/free/3gpps2011/TS/TS-3GA-22.083(Rel10)v10.0.0.pdf |

Release 11

| | | | | | |
|------|-----------------------------|--------|-----------|--------|---|
| CCSA | CCSA-TSD-TDD-22.083 | 11.0.0 | Published | Jun 14 | http://www.ccsa.org.cn/english/tc/files.php?docpath=/ITU-R/M.1457/M.1457-12/TDD |
| ETSI | ETSI TS 122 083 | 11.0.0 | Published | Oct 12 | http://www.etsi.org/deliver/etsi_ts/122000_122099/122083/11.00.00_60/ |
| TTC | TS-3GA-22.083(Rel11)v11.0.0 | 11.0.0 | Approved | Jun 13 | http://www.ttc.or.jp/j/document_list/free/3gpps2013/TS/TS-3GA-22.083(Rel11)v11.0.0.pdf |

5.3.2.13.23 TS 22.084**MultiParty (MPY) supplementary service; Stage 1**

This document specifies the supplementary services belonging to the group MultiParty Supplementary Services, which consist of MultiParty service.

| SDO (2) | Document No. | Version | Status | Issued date | Location (1) |
|---------|--------------|---------|--------|-------------|--------------|
|---------|--------------|---------|--------|-------------|--------------|

Release 99

| | | | | | |
|------|--------------------|-------|-----------|--------|---|
| ETSI | ETSI TS 122 084 | 3.0.1 | Published | Feb 00 | http://www.etsi.org/deliver/etsi_ts/122000_122099/122084/03.00.01_60/ |
| TTC | JP-3GA-22.084(R99) | 3.0.1 | Approved | Mar 00 | http://www.ttc.or.jp/j/document_list/pdf/j/STD/JP-3GA-22.084(R99)v1.pdf |

Release 4

| | | | | | |
|------|---------------------------|-------|-----------|--------|---|
| CCSA | CCSA-TSD-TDD-22.084 | 4.1.0 | Published | Jun 14 | http://www.ccsa.org.cn/english/tc/files.php?docpath=/ITU-R/M.1457/M.1457-12/TDD |
| ETSI | ETSI TS 122 084 | 4.1.0 | Published | Apr 02 | http://www.etsi.org/deliver/etsi_ts/122000_122099/122084/04.01.00_60/ |
| TTC | TS-3GA-22.084(Rel4)v4.1.0 | 4.1.0 | Approved | May 02 | http://www.ttc.or.jp/j/document_list/free/TS/TS-3GA-22.084(Rel4)v4.1.0.pdf |

Release 5

| | | | | | |
|-------------------|-----------------------------|--------|-----------|--------|---|
| CCSA | CCSA-TSD-TDD-22.084 | 5.0.0 | Published | Jun 14 | http://www.ccsa.org.cn/english/tc/files.php?docpath=/ITU-R/M.1457/M.1457-12/TDD |
| ETSI | ETSI TS 122 084 | 5.0.0 | Published | Jul 02 | http://www.etsi.org/deliver/etsi_ts/122000_122099/122084/05.00.00_60/ |
| TTC | TS-3GA-22.084(Rel5)v5.0.0 | 5.0.0 | Approved | Aug 02 | http://www.ttc.or.jp/j/document_list/free/TS/TS-3GA-22.084(Rel5)v5.0.0.pdf |
| Release 6 | | | | | |
| CCSA | CCSA-TSD-TDD-22.084 | 6.0.0 | Published | Jun 14 | http://www.ccsa.org.cn/english/tc/files.php?docpath=/ITU-R/M.1457/M.1457-12/TDD |
| ETSI | ETSI TS 122 084 | 6.0.0 | Published | Jan 05 | http://www.etsi.org/deliver/etsi_ts/122000_122099/122084/06.00.00_60/ |
| TTC | TS-3GA-22.084(Rel6)v6.0.0 | 6.0.0 | Approved | Mar 05 | http://www.ttc.or.jp/j/document_list/free/TS/TS-3GA-22.084(Rel6)v6.0.0.pdf |
| Release 7 | | | | | |
| CCSA | CCSA-TSD-TDD-22.084 | 7.0.0 | Published | Jun 14 | http://www.ccsa.org.cn/english/tc/files.php?docpath=/ITU-R/M.1457/M.1457-12/TDD |
| ETSI | ETSI TS 122 084 | 7.0.0 | Published | Jul 07 | http://www.etsi.org/deliver/etsi_ts/122000_122099/122084/07.00.00_60/ |
| TTC | TS-3GA-22.084(Rel7)v7.0.0 | 7.0.0 | Approved | Mar 08 | http://www.ttc.or.jp/j/document_list/free/TS/TS-3GA-22.084(Rel7)v7.0.0.pdf |
| Release 8 | | | | | |
| CCSA | CCSA-TSD-TDD-22.084 | 8.0.0 | Published | Jun 14 | http://www.ccsa.org.cn/english/tc/files.php?docpath=/ITU-R/M.1457/M.1457-12/TDD |
| ETSI | ETSI TS 122 084 | 8.0.0 | Published | Jan 09 | http://www.etsi.org/deliver/etsi_ts/122000_122099/122084/08.00.00_60/ |
| TTC | TS-3GA-22.084(Rel8)v8.0.0 | 8.0.0 | Approved | Feb 09 | http://www.ttc.or.jp/j/document_list/free/3gpps2009/TS/TS-3GA-22.084(Rel8)v8.0.0.pdf |
| Release 9 | | | | | |
| CCSA | CCSA-TSD-TDD-22.084 | 9.0.0 | Published | Jun 14 | http://www.ccsa.org.cn/english/tc/files.php?docpath=/ITU-R/M.1457/M.1457-12/TDD |
| ETSI | ETSI TS 122 084 | 9.0.0 | Published | Jan 10 | http://www.etsi.org/deliver/etsi_ts/122000_122099/122084/09.00.00_60/ |
| TTC | TS-3GA-22.084(Rel9)v9.0.0 | 9.0.0 | Approved | Jul 10 | http://www.ttc.or.jp/j/document_list/free/3gpps2010/TS/TS-3GA-22.084(Rel9)v9.0.0.pdf |
| Release 10 | | | | | |
| CCSA | CCSA-TSD-TDD-22.084 | 10.0.0 | Published | Jun 14 | http://www.ccsa.org.cn/english/tc/files.php?docpath=/ITU-R/M.1457/M.1457-12/TDD |
| ETSI | ETSI TS 122 084 | 10.0.0 | Published | May 11 | http://www.etsi.org/deliver/etsi_ts/122000_122099/122084/10.00.00_60/ |
| TTC | TS-3GA-22.084(Rel10)v10.0.0 | 10.0.0 | Approved | Jun 11 | http://www.ttc.or.jp/j/document_list/free/3gpps2011/TS/TS-3GA-22.084(Rel10)v10.0.0.pdf |
| Release 11 | | | | | |
| CCSA | CCSA-TSD-TDD-22.084 | 11.0.0 | Published | Jun 14 | http://www.ccsa.org.cn/english/tc/files.php?docpath=/ITU-R/M.1457/M.1457-12/TDD |
| ETSI | ETSI TS 122 084 | 11.0.0 | Published | Oct 12 | http://www.etsi.org/deliver/etsi_ts/122000_122099/122084/11.00.00_60/ |
| TTC | TS-3GA-22.084(Rel11)v11.0.0 | 11.0.0 | Approved | Jun 13 | http://www.ttc.or.jp/j/document_list/free/3gpps2013/TS/TS-3GA-22.084(Rel11)v11.0.0.pdf |

5.3.2.13.24 TS 22.085

Closed User Group (CUG) supplementary services; Stage 1

This document specifies the supplementary services belonging to the group Community Of Interest Supplementary Services, which consist of Closed user group.

| SDO (2) | Document No. | Version | Status | Issued date | Location (1) |
|-------------------|---------------------------|---------|-----------|-------------|---|
| Release 99 | | | | | |
| ETSI | ETSI TS 122 085 | 3.1.0 | Published | Feb 00 | http://www.etsi.org/deliver/etsi_ts/122000_122099/122085/03.01.00_60/ |
| TTC | JP-3GA-22.085(R99) | 3.1.0 | Approved | Mar 00 | http://www.ttc.or.jp/j/document_list/pdf/j/STD/JP-3GA-22.085(R99)v1.pdf |
| Release 4 | | | | | |
| CCSA | CCSA-TSD-TDD-22.085 | 4.1.0 | Published | Jun 14 | http://www.ccsa.org.cn/english/tc/files.php?docpath=/ITU-R/M.1457/M.1457-12/TDD |
| ETSI | ETSI TS 122 085 | 4.1.0 | Published | Apr 02 | http://www.etsi.org/deliver/etsi_ts/122000_122099/122085/04.01.00_60/ |
| TTC | TS-3GA-22.085(Rel4)v4.1.0 | 4.1.0 | Approved | May 02 | http://www.ttc.or.jp/j/document_list/free/TS/TS-3GA-22.085(Rel4)v4.1.0.pdf |
| Release 5 | | | | | |

| | | | | | |
|-------------------|-----------------------------|--------|-----------|--------|---|
| CCSA | CCSA-TSD-TDD-22.085 | 5.0.0 | Published | Jun 14 | http://www.ccsa.org.cn/english/tc/files.php?docpath=/ITU-R/M.1457/M.1457-12/TDD |
| ETSI | ETSI TS 122 085 | 5.0.0 | Published | Jul 02 | http://www.etsi.org/deliver/etsi_ts/122000_122099/122085/05.00.00_60/ |
| TTC | TS-3GA-22.085(Rel5)v5.0.0 | 5.0.0 | Approved | Aug 02 | http://www.ttc.or.jp/j/document_list/free/TS/TS-3GA-22.085(Rel5)v5.0.0.pdf |
| Release 6 | | | | | |
| CCSA | CCSA-TSD-TDD-22.085 | 6.0.0 | Published | Jun 14 | http://www.ccsa.org.cn/english/tc/files.php?docpath=/ITU-R/M.1457/M.1457-12/TDD |
| ETSI | ETSI TS 122 085 | 6.0.0 | Published | Jan 05 | http://www.etsi.org/deliver/etsi_ts/122000_122099/122085/06.00.00_60/ |
| TTC | TS-3GA-22.085(Rel6)v6.0.0 | 6.0.0 | Approved | Mar 05 | http://www.ttc.or.jp/j/document_list/free/TS/TS-3GA-22.085(Rel6)v6.0.0.pdf |
| Release 7 | | | | | |
| CCSA | CCSA-TSD-TDD-22.085 | 7.0.0 | Published | Jun 14 | http://www.ccsa.org.cn/english/tc/files.php?docpath=/ITU-R/M.1457/M.1457-12/TDD |
| ETSI | ETSI TS 122 085 | 7.0.0 | Published | Jul 07 | http://www.etsi.org/deliver/etsi_ts/122000_122099/122085/07.00.00_60/ |
| TTC | TS-3GA-22.085(Rel7)v7.0.0 | 7.0.0 | Approved | Mar 08 | http://www.ttc.or.jp/j/document_list/free/TS/TS-3GA-22.085(Rel7)v7.0.0.pdf |
| Release 8 | | | | | |
| CCSA | CCSA-TSD-TDD-22.085 | 8.0.0 | Published | Jun 14 | http://www.ccsa.org.cn/english/tc/files.php?docpath=/ITU-R/M.1457/M.1457-12/TDD |
| ETSI | ETSI TS 122 085 | 8.0.0 | Published | Jan 09 | http://www.etsi.org/deliver/etsi_ts/122000_122099/122085/08.00.00_60/ |
| TTC | TS-3GA-22.085(Rel8)v8.0.0 | 8.0.0 | Approved | Feb 09 | http://www.ttc.or.jp/j/document_list/free/3gpps2009/TS/TS-3GA-22.085(Rel8)v8.0.0.pdf |
| Release 9 | | | | | |
| CCSA | CCSA-TSD-TDD-22.085 | 9.0.0 | Published | Jun 14 | http://www.ccsa.org.cn/english/tc/files.php?docpath=/ITU-R/M.1457/M.1457-12/TDD |
| ETSI | ETSI TS 122 085 | 9.0.0 | Published | Jan 10 | http://www.etsi.org/deliver/etsi_ts/122000_122099/122085/09.00.00_60/ |
| TTC | TS-3GA-22.085(Rel9)v9.0.0 | 9.0.0 | Approved | Jul 10 | http://www.ttc.or.jp/j/document_list/free/3gpps2010/TS/TS-3GA-22.085(Rel9)v9.0.0.pdf |
| Release 10 | | | | | |
| CCSA | CCSA-TSD-TDD-22.085 | 10.0.0 | Published | Jun 14 | http://www.ccsa.org.cn/english/tc/files.php?docpath=/ITU-R/M.1457/M.1457-12/TDD |
| ETSI | ETSI TS 122 085 | 10.0.0 | Published | May 11 | http://www.etsi.org/deliver/etsi_ts/122000_122099/122085/10.00.00_60/ |
| TTC | TS-3GA-22.085(Rel10)v10.0.0 | 10.0.0 | Approved | Jun 11 | http://www.ttc.or.jp/j/document_list/free/3gpps2011/TS/TS-3GA-22.085(Rel10)v10.0.0.pdf |
| Release 11 | | | | | |
| CCSA | CCSA-TSD-TDD-22.085 | 11.0.0 | Published | Jun 14 | http://www.ccsa.org.cn/english/tc/files.php?docpath=/ITU-R/M.1457/M.1457-12/TDD |
| ETSI | ETSI TS 122 085 | 11.0.0 | Published | Nov 12 | http://www.etsi.org/deliver/etsi_ts/122000_122099/122085/11.00.00_60/ |
| TTC | TS-3GA-22.085(Rel11)v11.0.0 | 11.0.0 | Approved | Jun 13 | http://www.ttc.or.jp/j/document_list/free/3gpps2013/TS/TS-3GA-22.085(Rel11)v11.0.0.pdf |

5.3.2.13.25 TS 22.086

Advice of Charge (AoC) supplementary services; Stage 1

This document specifies the supplementary services belonging to the group Charging Supplementary Services, which consist of Advice of Charge (Information) and Advice of Charge (Charging).

| SDO (2) | Document No. | Version | Status | Issued date | Location (1) |
|-------------------|---------------------------|---------|-----------|-------------|---|
| Release 99 | | | | | |
| ETSI | ETSI TS 122 086 | 3.1.0 | Published | May 00 | http://www.etsi.org/deliver/etsi_ts/122000_122099/122086/03.01.00_60/ |
| TTC | TS-3GA-22.086(R99)v3.1.0 | 3.1.0 | Approved | Mar 08 | http://www.ttc.or.jp/j/document_list/free/TS/TS-3GA-22.086(R99)v3.1.0.pdf |
| Release 4 | | | | | |
| CCSA | CCSA-TSD-TDD-22.086 | 4.1.0 | Published | Jun 14 | http://www.ccsa.org.cn/english/tc/files.php?docpath=/ITU-R/M.1457/M.1457-12/TDD |
| ETSI | ETSI TS 122 086 | 4.0.0 | Published | Apr 01 | http://www.etsi.org/deliver/etsi_ts/122000_122099/122086/04.00.00_60/ |
| TTC | TS-3GA-22.086(Rel4)v4.0.0 | 4.0.0 | Approved | May 01 | http://www.ttc.or.jp/j/document_list/free/TS/TS-3GA-22.086(Rel4)v4.0.0.pdf |

Release 5

| | | | | | |
|------|---------------------------|-------|-----------|--------|---|
| CCSA | CCSA-TSD-TDD-22.086 | 5.0.0 | Published | Jun 14 | http://www.ccsa.org.cn/english/tc/files.php?docpath=/ITU-R/M.1457/M.1457-12/TDD |
| ETSI | ETSI TS 122 086 | 5.1.0 | Published | Jul 05 | http://www.etsi.org/deliver/etsi_ts/122000_122099/122086/05.01.00_60/ |
| TTC | TS-3GA-22.086(Rel5)v5.1.0 | 5.1.0 | Approved | Jul 05 | http://www.ttc.or.jp/j/document_list/free/TS/TS-3GA-22.086(Rel5)v5.1.0.pdf |

Release 6

| | | | | | |
|------|---------------------------|-------|-----------|--------|---|
| CCSA | CCSA-TSD-TDD-22.086 | 6.0.0 | Published | Jun 14 | http://www.ccsa.org.cn/english/tc/files.php?docpath=/ITU-R/M.1457/M.1457-12/TDD |
| ETSI | ETSI TS 122 086 | 6.1.0 | Published | Jul 05 | http://www.etsi.org/deliver/etsi_ts/122000_122099/122086/06.01.00_60/ |
| TTC | TS-3GA-22.086(Rel6)v6.1.0 | 6.1.0 | Approved | Jul 05 | http://www.ttc.or.jp/j/document_list/free/TS/TS-3GA-22.086(Rel6)v6.1.0.pdf |

Release 7

| | | | | | |
|------|---------------------------|-------|-----------|--------|---|
| CCSA | CCSA-TSD-TDD-22.086 | 7.0.0 | Published | Jun 14 | http://www.ccsa.org.cn/english/tc/files.php?docpath=/ITU-R/M.1457/M.1457-12/TDD |
| ETSI | ETSI TS 122 086 | 7.0.0 | Published | Jul 07 | http://www.etsi.org/deliver/etsi_ts/122000_122099/122086/07.00.00_60/ |
| TTC | TS-3GA-22.086(Rel7)v7.0.0 | 7.0.0 | Approved | Mar 08 | http://www.ttc.or.jp/j/document_list/free/TS/TS-3GA-22.086(Rel7)v7.0.0.pdf |

Release 8

| | | | | | |
|------|---------------------------|-------|-----------|--------|---|
| CCSA | CCSA-TSD-TDD-22.086 | 8.0.0 | Published | Jun 14 | http://www.ccsa.org.cn/english/tc/files.php?docpath=/ITU-R/M.1457/M.1457-12/TDD |
| ETSI | ETSI TS 122 086 | 8.0.0 | Published | Jan 09 | http://www.etsi.org/deliver/etsi_ts/122000_122099/122086/08.00.00_60/ |
| TTC | TS-3GA-22.086(Rel8)v8.0.0 | 8.0.0 | Approved | Feb 09 | http://www.ttc.or.jp/j/document_list/free/3gpps2009/TS/TS-3GA-22.086(Rel8)v8.0.0.pdf |

Release 9

| | | | | | |
|------|---------------------------|-------|-----------|--------|---|
| CCSA | CCSA-TSD-TDD-22.086 | 9.0.0 | Published | Jun 14 | http://www.ccsa.org.cn/english/tc/files.php?docpath=/ITU-R/M.1457/M.1457-12/TDD |
| ETSI | ETSI TS 122 086 | 9.0.0 | Published | Jan 10 | http://www.etsi.org/deliver/etsi_ts/122000_122099/122086/09.00.00_60/ |
| TTC | TS-3GA-22.086(Rel9)v9.0.0 | 9.0.0 | Approved | Jul 10 | http://www.ttc.or.jp/j/document_list/free/3gpps2010/TS/TS-3GA-22.086(Rel9)v9.0.0.pdf |

Release 10

| | | | | | |
|------|-----------------------------|--------|-----------|--------|---|
| CCSA | CCSA-TSD-TDD-22.086 | 10.0.0 | Published | Jun 14 | http://www.ccsa.org.cn/english/tc/files.php?docpath=/ITU-R/M.1457/M.1457-12/TDD |
| ETSI | ETSI TS 122 086 | 10.0.0 | Published | May 11 | http://www.etsi.org/deliver/etsi_ts/122000_122099/122086/10.00.00_60/ |
| TTC | TS-3GA-22.086(Rel10)v10.0.0 | 10.0.0 | Approved | Jun 11 | http://www.ttc.or.jp/j/document_list/free/3gpps2011/TS/TS-3GA-22.086(Rel10)v10.0.0.pdf |

Release 11

| | | | | | |
|------|-----------------------------|--------|-----------|--------|---|
| CCSA | CCSA-TSD-TDD-22.086 | 11.0.0 | Published | Jun 14 | http://www.ccsa.org.cn/english/tc/files.php?docpath=/ITU-R/M.1457/M.1457-12/TDD |
| ETSI | ETSI TS 122 086 | 11.0.0 | Published | Oct 12 | http://www.etsi.org/deliver/etsi_ts/122000_122099/122086/11.00.00_60/ |
| TTC | TS-3GA-22.086(Rel11)v11.0.0 | 11.0.0 | Approved | Jun 13 | http://www.ttc.or.jp/j/document_list/free/3gpps2013/TS/TS-3GA-22.086(Rel11)v11.0.0.pdf |

5.3.2.13.26 TS 22.087**User-to-User Signalling (UUS); Service description; Stage 1**

This document specifies the User-to-User Signalling (UUS) supplementary service, which allows a mobile subscriber to send/receive a limited amount of information to/from another PLMN or ISDN subscriber over the signalling channel in association with a call to the other subscriber.

| SDO (2) | Document No. | Version | Status | Issued date | Location (1) |
|-------------------|---------------------|---------|-----------|-------------|---|
| Release 99 | | | | | |
| ETSI | ETSI TS 122 087 | 3.1.0 | Published | May 00 | http://www.etsi.org/deliver/etsi_ts/122000_122099/122087/03.01.00_60/ |
| TTC | JP-3GA-22.087(R99) | 3.1.0 | Approved | Nov 00 | http://www.ttc.or.jp/j/document_list/pdf/j/STD/JP-3GA-22.087(R99)v2.pdf |
| Release 4 | | | | | |
| CCSA | CCSA-TSD-TDD-22.087 | 4.0.0 | Published | Jun 14 | http://www.ccsa.org.cn/english/tc/files.php?docpath=/ITU-R/M.1457/M.1457-12/TDD |
| ETSI | ETSI TS 122 087 | 4.0.0 | Published | Apr 01 | http://www.etsi.org/deliver/etsi_ts/122000_122099/122087/04.00.00_60/ |

| | | | | | |
|-------------------|-----------------------------|--------|-----------|--------|---|
| TTC | TS-3GA-22.087(Rel4)v4.0.0 | 4.0.0 | Approved | May 01 | http://www.ttc.or.jp/j/document_list/free/TS/TS-3GA-22.087(Rel4)v4.0.0.pdf |
| Release 5 | | | | | |
| CCSA | CCSA-TSD-TDD-22.087 | 5.0.0 | Published | Jun 14 | http://www.ccsa.org.cn/english/tc/files.php?docpath=/ITU-R/M.1457/M.1457-12/TDD |
| ETSI | ETSI TS 122 087 | 5.0.0 | Published | Jul 02 | http://www.etsi.org/deliver/etsi_ts/122000_122099/122087/05.00.00_60/ |
| TTC | TS-3GA-22.087(Rel5)v5.0.0 | 5.0.0 | Approved | Aug 02 | http://www.ttc.or.jp/j/document_list/free/TS/TS-3GA-22.087(Rel5)v5.0.0.pdf |
| Release 6 | | | | | |
| CCSA | CCSA-TSD-TDD-22.087 | 6.0.0 | Published | Jun 14 | http://www.ccsa.org.cn/english/tc/files.php?docpath=/ITU-R/M.1457/M.1457-12/TDD |
| ETSI | ETSI TS 122 087 | 6.0.0 | Published | Jan 05 | http://www.etsi.org/deliver/etsi_ts/122000_122099/122087/06.00.00_60/ |
| TTC | TS-3GA-22.087(Rel6)v6.0.0 | 6.0.0 | Approved | Mar 05 | http://www.ttc.or.jp/j/document_list/free/TS/TS-3GA-22.087(Rel6)v6.0.0.pdf |
| Release 7 | | | | | |
| CCSA | CCSA-TSD-TDD-22.087 | 7.0.0 | Published | Jun 14 | http://www.ccsa.org.cn/english/tc/files.php?docpath=/ITU-R/M.1457/M.1457-12/TDD |
| ETSI | ETSI TS 122 087 | 7.0.0 | Published | Jul 07 | http://www.etsi.org/deliver/etsi_ts/122000_122099/122087/07.00.00_60/ |
| TTC | TS-3GA-22.087(Rel7)v7.0.0 | 7.0.0 | Approved | Mar 08 | http://www.ttc.or.jp/j/document_list/free/TS/TS-3GA-22.087(Rel7)v7.0.0.pdf |
| Release 8 | | | | | |
| CCSA | CCSA-TSD-TDD-22.087 | 8.0.0 | Published | Jun 14 | http://www.ccsa.org.cn/english/tc/files.php?docpath=/ITU-R/M.1457/M.1457-12/TDD |
| ETSI | ETSI TS 122 087 | 8.0.0 | Published | Jan 09 | http://www.etsi.org/deliver/etsi_ts/122000_122099/122087/08.00.00_60/ |
| TTC | TS-3GA-22.087(Rel8)v8.0.0 | 8.0.0 | Approved | Feb 09 | http://www.ttc.or.jp/j/document_list/free/3gpps2009/TS/TS-3GA-22.087(Rel8)v8.0.0.pdf |
| Release 9 | | | | | |
| CCSA | CCSA-TSD-TDD-22.087 | 9.0.0 | Published | Jun 14 | http://www.ccsa.org.cn/english/tc/files.php?docpath=/ITU-R/M.1457/M.1457-12/TDD |
| ETSI | ETSI TS 122 087 | 9.0.0 | Published | Jan 10 | http://www.etsi.org/deliver/etsi_ts/122000_122099/122087/09.00.00_60/ |
| TTC | TS-3GA-22.087(Rel9)v9.0.0 | 9.0.0 | Approved | Jul 10 | http://www.ttc.or.jp/j/document_list/free/3gpps2010/TS/TS-3GA-22.087(Rel9)v9.0.0.pdf |
| Release 10 | | | | | |
| CCSA | CCSA-TSD-TDD-22.087 | 10.0.0 | Published | Jun 14 | http://www.ccsa.org.cn/english/tc/files.php?docpath=/ITU-R/M.1457/M.1457-12/TDD |
| ETSI | ETSI TS 122 087 | 10.0.0 | Published | May 11 | http://www.etsi.org/deliver/etsi_ts/122000_122099/122087/10.00.00_60/ |
| TTC | TS-3GA-22.087(Rel10)v10.0.0 | 10.0.0 | Approved | Jun 11 | http://www.ttc.or.jp/j/document_list/free/3gpps2011/TS/TS-3GA-22.087(Rel10)v10.0.0.pdf |
| Release 11 | | | | | |
| CCSA | CCSA-TSD-TDD-22.087 | 11.0.0 | Published | Jun 14 | http://www.ccsa.org.cn/english/tc/files.php?docpath=/ITU-R/M.1457/M.1457-12/TDD |
| ETSI | ETSI TS 122 087 | 11.0.0 | Published | Oct 12 | http://www.etsi.org/deliver/etsi_ts/122000_122099/122087/11.00.00_60/ |
| TTC | TS-3GA-22.087(Rel11)v11.0.0 | 11.0.0 | Approved | Jun 13 | http://www.ttc.or.jp/j/document_list/free/3gpps2013/TS/TS-3GA-22.087(Rel11)v11.0.0.pdf |

5.3.2.13.27 TS 22.088

Call Barring (CB) supplementary services; Stage 1

This document specifies the supplementary services belonging to the group Call Restriction Supplementary Services, which consist of barring of outgoing calls and barring of incoming calls.

| SDO (2) | Document No. | Version | Status | Issued date | Location (1) |
|-------------------|--------------------|---------|-----------|-------------|---|
| Release 99 | | | | | |
| ETSI | ETSI TS 122 088 | 3.0.2 | Published | Apr 01 | http://www.etsi.org/deliver/etsi_ts/122000_122099/122088/03.00.02_60/ |
| TTC | JP-3GA-22.088(R99) | 3.0.2 | Approved | May 01 | http://www.ttc.or.jp/j/document_list/pdf/j/STD/JP-3GA-22.088(R99)v2.pdf |
| Release 4 | | | | | |

| | | | | | |
|-------------------|-----------------------------|--------|-----------|--------|---|
| CCSA | CCSA-TSD-TDD-22.088 | 4.1.0 | Published | Jun 14 | http://www.ccsa.org.cn/english/tc/files.php?docpath=/ITU-R/M.1457/M.1457-12/TDD |
| ETSI | ETSI TS 122 088 | 4.1.0 | Published | Apr 02 | http://www.etsi.org/deliver/etsi_ts/122000_122099/122088/04.01.00_60/ |
| TTC | TS-3GA-22.088(Rel4)v4.1.0 | 4.1.0 | Approved | May 02 | http://www.ttc.or.jp/j/document_list/free/TS/TS-3GA-22.088(Rel4)v4.1.0.pdf |
| Release 5 | | | | | |
| CCSA | CCSA-TSD-TDD-22.088 | 5.0.0 | Published | Jun 14 | http://www.ccsa.org.cn/english/tc/files.php?docpath=/ITU-R/M.1457/M.1457-12/TDD |
| ETSI | ETSI TS 122 088 | 5.0.0 | Published | Jul 02 | http://www.etsi.org/deliver/etsi_ts/122000_122099/122088/05.00.00_60/ |
| TTC | TS-3GA-22.088(Rel5)v5.0.0 | 5.0.0 | Approved | Aug 02 | http://www.ttc.or.jp/j/document_list/free/TS/TS-3GA-22.088(Rel5)v5.0.0.pdf |
| Release 6 | | | | | |
| CCSA | CCSA-TSD-TDD-22.088 | 6.0.0 | Published | Jun 14 | http://www.ccsa.org.cn/english/tc/files.php?docpath=/ITU-R/M.1457/M.1457-12/TDD |
| ETSI | ETSI TS 122 088 | 6.0.0 | Published | Jan 05 | http://www.etsi.org/deliver/etsi_ts/122000_122099/122088/06.00.00_60/ |
| TTC | TS-3GA-22.088(Rel6)v6.0.0 | 6.0.0 | Approved | Mar 05 | http://www.ttc.or.jp/j/document_list/free/TS/TS-3GA-22.088(Rel6)v6.0.0.pdf |
| Release 7 | | | | | |
| CCSA | CCSA-TSD-TDD-22.088 | 7.0.0 | Published | Jun 14 | http://www.ccsa.org.cn/english/tc/files.php?docpath=/ITU-R/M.1457/M.1457-12/TDD |
| ETSI | ETSI TS 122 088 | 7.0.0 | Published | Jul 07 | http://www.etsi.org/deliver/etsi_ts/122000_122099/122088/07.00.00_60/ |
| TTC | TS-3GA-22.088(Rel7)v7.0.0 | 7.0.0 | Approved | Mar 08 | http://www.ttc.or.jp/j/document_list/free/TS/TS-3GA-22.088(Rel7)v7.0.0.pdf |
| Release 8 | | | | | |
| CCSA | CCSA-TSD-TDD-22.088 | 8.0.0 | Published | Jun 14 | http://www.ccsa.org.cn/english/tc/files.php?docpath=/ITU-R/M.1457/M.1457-12/TDD |
| ETSI | ETSI TS 122 088 | 8.0.0 | Published | Jan 09 | http://www.etsi.org/deliver/etsi_ts/122000_122099/122088/08.00.00_60/ |
| TTC | TS-3GA-22.088(Rel8)v8.0.0 | 8.0.0 | Approved | Feb 09 | http://www.ttc.or.jp/j/document_list/free/3gpps2009/TS/TS-3GA-22.088(Rel8)v8.0.0.pdf |
| Release 9 | | | | | |
| CCSA | CCSA-TSD-TDD-22.088 | 9.0.0 | Published | Jun 14 | http://www.ccsa.org.cn/english/tc/files.php?docpath=/ITU-R/M.1457/M.1457-12/TDD |
| ETSI | ETSI TS 122 088 | 9.0.0 | Published | Jan 10 | http://www.etsi.org/deliver/etsi_ts/122000_122099/122088/09.00.00_60/ |
| TTC | TS-3GA-22.088(Rel9)v9.0.0 | 9.0.0 | Approved | Jul 10 | http://www.ttc.or.jp/j/document_list/free/3gpps2010/TS/TS-3GA-22.088(Rel9)v9.0.0.pdf |
| Release 10 | | | | | |
| CCSA | CCSA-TSD-TDD-22.088 | 10.0.0 | Published | Jun 14 | http://www.ccsa.org.cn/english/tc/files.php?docpath=/ITU-R/M.1457/M.1457-12/TDD |
| ETSI | ETSI TS 122 088 | 10.0.0 | Published | May 11 | http://www.etsi.org/deliver/etsi_ts/122000_122099/122088/10.00.00_60/ |
| TTC | TS-3GA-22.088(Rel10)v10.0.0 | 10.0.0 | Approved | Jun 11 | http://www.ttc.or.jp/j/document_list/free/3gpps2011/TS/TS-3GA-22.088(Rel10)v10.0.0.pdf |
| Release 11 | | | | | |
| CCSA | CCSA-TSD-TDD-22.088 | 11.1.0 | Published | Jun 14 | http://www.ccsa.org.cn/english/tc/files.php?docpath=/ITU-R/M.1457/M.1457-12/TDD |
| ETSI | ETSI TS 122 088 | 11.0.0 | Published | Nov 12 | http://www.etsi.org/deliver/etsi_ts/122000_122099/122088/11.00.00_60/ |
| TTC | TS-3GA-22.088(Rel11)v11.0.0 | 11.0.0 | Approved | Jun 13 | http://www.ttc.or.jp/j/document_list/free/3gpps2013/TS/TS-3GA-22.088(Rel11)v11.0.0.pdf |

5.3.2.13.28 TS 22.090

Unstructured Supplementary Service Data (USSD); Stage 1

There are two modes of USSD: MMI-mode and application mode. MMI-mode USSD is for the transparent transport of MMI strings entered by the user to the network and for the transparent transport of text strings from the network that are displayed by the mobile for user information. Application mode USSD is for the transparent transport of data between the network and the mobile station. Application mode USSD is intended to be used by applications in the network and their peer applications in the UE. The communication over the radio interface takes place on the signalling channels using short dialogues with peak data throughput rate capabilities of up to approximately 600 bit/s outside of a call and 1 000 bit/s during a call.

| SDO (2) | Document No. | Version | Status | Issued date | Location (1) |
|-------------------|-----------------------------|---------|-----------|-------------|---|
| Release 99 | | | | | |
| CCSA | CCSA-TSD-TDD-22.090 | 3.1.0 | Published | May 00 | http://www.ccsa.org.cn/english/tc/files.php?docpath=/ITU-R/M.1457/M.1457-12/TDD |
| ETSI | ETSI TS 122 090 | 3.1.0 | Published | May 00 | http://www.etsi.org/deliver/etsi_ts/122000_122099/122090/03.01.00_60/ |
| TTC | JP-3GA-22.090(R99) | 3.1.0 | Approved | Nov 00 | http://www.ttc.or.jp/j/document_list/pdf/j/STD/JP-3GA-22.090(R99)v2.pdf |
| Release 4 | | | | | |
| CCSA | CCSA-TSD-TDD-22.090 | 4.0.0 | Published | Apr 01 | http://www.ccsa.org.cn/english/tc/files.php?docpath=/ITU-R/M.1457/M.1457-12/TDD |
| ETSI | ETSI TS 122 090 | 4.0.0 | Published | Apr 01 | http://www.etsi.org/deliver/etsi_ts/122000_122099/122090/04.00.00_60/ |
| TTC | TS-3GA-22.090(Rel4)v4.0.0 | 4.0.0 | Approved | May 01 | http://www.ttc.or.jp/j/document_list/free/TS/TS-3GA-22.090(Rel4)v4.0.0.pdf |
| Release 5 | | | | | |
| CCSA | CCSA-TSD-TDD-22.090 | 5.0.0 | Published | Jul 02 | http://www.ccsa.org.cn/english/tc/files.php?docpath=/ITU-R/M.1457/M.1457-12/TDD |
| ETSI | ETSI TS 122 090 | 5.0.0 | Published | Jul 02 | http://www.etsi.org/deliver/etsi_ts/122000_122099/122090/05.00.00_60/ |
| TTC | TS-3GA-22.090(Rel5)v5.0.0 | 5.0.0 | Approved | Aug 02 | http://www.ttc.or.jp/j/document_list/free/TS/TS-3GA-22.090(Rel5)v5.0.0.pdf |
| Release 6 | | | | | |
| CCSA | CCSA-TSD-TDD-22.090 | 6.0.0 | Published | Jan 05 | http://www.ccsa.org.cn/english/tc/files.php?docpath=/ITU-R/M.1457/M.1457-12/TDD |
| ETSI | ETSI TS 122 090 | 6.0.0 | Published | Jan 05 | http://www.etsi.org/deliver/etsi_ts/122000_122099/122090/06.00.00_60/ |
| TTC | TS-3GA-22.090(Rel6)v6.0.0 | 6.0.0 | Approved | Mar 05 | http://www.ttc.or.jp/j/document_list/free/TS/TS-3GA-22.090(Rel6)v6.0.0.pdf |
| Release 7 | | | | | |
| CCSA | CCSA-TSD-TDD-22.090 | 7.0.0 | Published | Sep 06 | http://www.ccsa.org.cn/english/tc/files.php?docpath=/ITU-R/M.1457/M.1457-12/TDD |
| ETSI | ETSI TS 122 090 | 7.0.0 | Published | Sep 06 | http://www.etsi.org/deliver/etsi_ts/122000_122099/122090/07.00.00_60/ |
| TTC | TS-3GA-22.090(Rel7)v7.0.0 | 7.0.0 | Approved | Mar 08 | http://www.ttc.or.jp/j/document_list/free/TS/TS-3GA-22.090(Rel7)v7.0.0.pdf |
| Release 8 | | | | | |
| CCSA | CCSA-TSD-TDD-22.090 | 8.0.0 | Published | Jan 09 | http://www.ccsa.org.cn/english/tc/files.php?docpath=/ITU-R/M.1457/M.1457-12/TDD |
| ETSI | ETSI TS 122 090 | 8.0.0 | Published | Jan 09 | http://www.etsi.org/deliver/etsi_ts/122000_122099/122090/08.00.00_60/ |
| TTC | TS-3GA-22.090(Rel8)v8.0.0 | 8.0.0 | Approved | Feb 09 | http://www.ttc.or.jp/j/document_list/free/3gpps2009/TS/TS-3GA-22.090(Rel8)v8.0.0.pdf |
| Release 9 | | | | | |
| CCSA | CCSA-TSD-TDD-22.090 | 9.0.0 | Published | Mar 10 | http://www.ccsa.org.cn/english/tc/files.php?docpath=/ITU-R/M.1457/M.1457-12/TDD |
| ETSI | ETSI TS 122 090 | 9.0.0 | Published | Jan 10 | http://www.etsi.org/deliver/etsi_ts/122000_122099/122090/09.00.00_60/ |
| TTC | TS-3GA-22.090(Rel9)v9.0.0 | 9.0.0 | Approved | Jul 10 | http://www.ttc.or.jp/j/document_list/free/3gpps2010/TS/TS-3GA-22.090(Rel9)v9.0.0.pdf |
| Release 10 | | | | | |
| CCSA | CCSA-TSD-TDD-22.090 | 10.0.0 | Published | Jun 12 | http://www.ccsa.org.cn/english/tc/files.php?docpath=/ITU-R/M.1457/M.1457-12/TDD |
| ETSI | ETSI TS 122 090 | 10.0.0 | Published | May 11 | http://www.etsi.org/deliver/etsi_ts/122000_122099/122090/10.00.00_60/ |
| TTC | TS-3GA-22.090(Rel10)v10.0.0 | 10.0.0 | Approved | Jun 11 | http://www.ttc.or.jp/j/document_list/free/3gpps2011/TS/TS-3GA-22.090(Rel10)v10.0.0.pdf |
| Release 11 | | | | | |
| CCSA | CCSA-TSD-TDD-22.090 | 11.0.0 | Published | Jun 14 | http://www.ccsa.org.cn/english/tc/files.php?docpath=/ITU-R/M.1457/M.1457-12/TDD |
| ETSI | ETSI TS 122 090 | 11.0.0 | Published | Oct 12 | http://www.etsi.org/deliver/etsi_ts/122000_122099/122090/11.00.00_60/ |
| TTC | TS-3GA-22.090(Rel11)v11.0.0 | 11.0.0 | Approved | Jun 13 | http://www.ttc.or.jp/j/document_list/free/3gpps2013/TS/TS-3GA-22.090(Rel11)v11.0.0.pdf |

5.3.2.13.29 TS 22.091

Explicit Call Transfer (ECT) supplementary service; Stage 1

This document specifies the stage 1 description of Explicit Call Transfer (ECT) from the service subscriber's and user's points of view, in particular, the

procedures for normal operation with successful outcome, the action to be taken in exceptional circumstances, and the interaction with other supplementary services.

| SDO (2) | Document No. | Version | Status | Issued date | Location (1) |
|-------------------|-----------------------------|---------|-----------|-------------|---|
| Release 99 | | | | | |
| ETSI | ETSI TS 122 091 | 3.1.0 | Published | Nov 00 | http://www.etsi.org/deliver/etsi_ts/122000_122099/122091/03.01.00_60/ |
| TTC | JP-3GA-22.091(R99) | 3.1.0 | Approved | May 01 | http://www.ttc.or.jp/j/document_list/pdf/j/STD/JP-3GA-22.091(R99)v2.pdf |
| Release 4 | | | | | |
| CCSA | CCSA-TSD-TDD-22.091 | 4.0.0 | Published | Apr 01 | http://www.ccsa.org.cn/english/tc/files.php?docpath=/ITU-R/M.1457/M.1457-12/TDD |
| ETSI | ETSI TS 122 091 | 4.0.0 | Published | Apr 01 | http://www.etsi.org/deliver/etsi_ts/122000_122099/122091/04.00.00_60/ |
| TTC | TS-3GA-22.091(Rel4)v4.0.0 | 4.0.0 | Approved | May 01 | http://www.ttc.or.jp/j/document_list/free/TS/TS-3GA-22.091(Rel4)v4.0.0.pdf |
| Release 5 | | | | | |
| CCSA | CCSA-TSD-TDD-22.091 | 5.0.0 | Published | Jul 02 | http://www.ccsa.org.cn/english/tc/files.php?docpath=/ITU-R/M.1457/M.1457-12/TDD |
| ETSI | ETSI TS 122 091 | 5.0.0 | Published | Jul 02 | http://www.etsi.org/deliver/etsi_ts/122000_122099/122091/05.00.00_60/ |
| TTC | TS-3GA-22.091(Rel5)v5.0.0 | 5.0.0 | Approved | Aug 02 | http://www.ttc.or.jp/j/document_list/free/TS/TS-3GA-22.091(Rel5)v5.0.0.pdf |
| Release 6 | | | | | |
| CCSA | CCSA-TSD-TDD-22.091 | 6.0.0 | Published | Jan 05 | http://www.ccsa.org.cn/english/tc/files.php?docpath=/ITU-R/M.1457/M.1457-12/TDD |
| ETSI | ETSI TS 122 091 | 6.0.0 | Published | Jan 05 | http://www.etsi.org/deliver/etsi_ts/122000_122099/122091/06.00.00_60/ |
| TTC | TS-3GA-22.091(Rel6)v6.0.0 | 6.0.0 | Approved | Mar 05 | http://www.ttc.or.jp/j/document_list/free/TS/TS-3GA-22.091(Rel6)v6.0.0.pdf |
| Release 7 | | | | | |
| CCSA | CCSA-TSD-TDD-22.091 | 7.0.0 | Published | Sep 06 | http://www.ccsa.org.cn/english/tc/files.php?docpath=/ITU-R/M.1457/M.1457-12/TDD |
| ETSI | ETSI TS 122 091 | 7.0.0 | Published | Jul 07 | http://www.etsi.org/deliver/etsi_ts/122000_122099/122091/07.00.00_60/ |
| TTC | TS-3GA-22.091(Rel7)v7.0.0 | 7.0.0 | Approved | Mar 08 | http://www.ttc.or.jp/j/document_list/free/TS/TS-3GA-22.091(Rel7)v7.0.0.pdf |
| Release 8 | | | | | |
| CCSA | CCSA-TSD-TDD-22.091 | 8.0.0 | Published | Jan 09 | http://www.ccsa.org.cn/english/tc/files.php?docpath=/ITU-R/M.1457/M.1457-12/TDD |
| ETSI | ETSI TS 122 091 | 8.0.0 | Published | Jan 09 | http://www.etsi.org/deliver/etsi_ts/122000_122099/122091/08.00.00_60/ |
| TTC | TS-3GA-22.091(Rel8)v8.0.0 | 8.0.0 | Approved | Feb 09 | http://www.ttc.or.jp/j/document_list/free/3gpps2009/TS/TS-3GA-22.091(Rel8)v8.0.0.pdf |
| Release 9 | | | | | |
| CCSA | CCSA-TSD-TDD-22.091 | 9.0.0 | Published | Mar 10 | http://www.ccsa.org.cn/english/tc/files.php?docpath=/ITU-R/M.1457/M.1457-12/TDD |
| ETSI | ETSI TS 122 091 | 9.0.0 | Published | Jan 10 | http://www.etsi.org/deliver/etsi_ts/122000_122099/122091/09.00.00_60/ |
| TTC | TS-3GA-22.091(Rel9)v9.0.0 | 9.0.0 | Approved | Jul 10 | http://www.ttc.or.jp/j/document_list/free/3gpps2010/TS/TS-3GA-22.091(Rel9)v9.0.0.pdf |
| Release 10 | | | | | |
| CCSA | CCSA-TSD-TDD-22.091 | 10.0.0 | Published | Jun 12 | http://www.ccsa.org.cn/english/tc/files.php?docpath=/ITU-R/M.1457/M.1457-12/TDD |
| ETSI | ETSI TS 122 091 | 10.0.0 | Published | May 11 | http://www.etsi.org/deliver/etsi_ts/122000_122099/122091/10.00.00_60/ |
| TTC | TS-3GA-22.091(Rel10)v10.0.0 | 10.0.0 | Approved | Jun 11 | http://www.ttc.or.jp/j/document_list/free/3gpps2011/TS/TS-3GA-22.091(Rel10)v10.0.0.pdf |
| Release 11 | | | | | |
| CCSA | CCSA-TSD-TDD-22.091 | 11.0.0 | Published | Jun 14 | http://www.ccsa.org.cn/english/tc/files.php?docpath=/ITU-R/M.1457/M.1457-12/TDD |
| ETSI | ETSI TS 122 091 | 11.0.0 | Published | Oct 12 | http://www.etsi.org/deliver/etsi_ts/122000_122099/122091/11.00.00_60/ |
| TTC | TS-3GA-22.091(Rel11)v11.0.0 | 11.0.0 | Approved | Jun 13 | http://www.ttc.or.jp/j/document_list/free/3gpps2013/TS/TS-3GA-22.091(Rel11)v11.0.0.pdf |

5.3.2.13.30 TS 22.093

Completion of Calls to Busy Subscriber (CCBS); Service description, Stage 1

This document specifies the stage 1 description of Completion of Calls to Busy Subscriber (CCBS) from the subscriber's and user's points of view, in particular, the procedures for normal operation with successful outcome, the action to be taken in exceptional circumstances, and the interaction with other supplementary services.

| SDO (2) | Document No. | Version | Status | Issued date | Location (1) |
|-------------------|-----------------------------|---------|-----------|-------------|---|
| Release 99 | | | | | |
| ETSI | ETSI TS 122 093 | 3.0.1 | Published | Feb 00 | http://www.etsi.org/deliver/etsi_ts/122000_122099/122093/03.00.01_60/ |
| TTC | JP-3GA-22.093(R99) | 3.0.1 | Approved | Mar 00 | http://www.ttc.or.jp/j/document_list/pdf/j/STD/JP-3GA-22.093(R99)v1.pdf |
| Release 4 | | | | | |
| CCSA | CCSA-TSD-TDD-22.093 | 4.0.0 | Published | Jun 14 | http://www.ccsa.org.cn/english/tc/files.php?docpath=/ITU-R/M.1457/M.1457-12/TDD |
| ETSI | ETSI TS 122 093 | 4.0.0 | Published | Apr 01 | http://www.etsi.org/deliver/etsi_ts/122000_122099/122093/04.00.00_60/ |
| TTC | TS-3GA-22.093(Rel4)v4.0.0 | 4.0.0 | Approved | May 01 | http://www.ttc.or.jp/j/document_list/free/TS/TS-3GA-22.093(Rel4)v4.0.0.pdf |
| Release 5 | | | | | |
| CCSA | CCSA-TSD-TDD-22.093 | 5.0.0 | Published | Jun 14 | http://www.ccsa.org.cn/english/tc/files.php?docpath=/ITU-R/M.1457/M.1457-12/TDD |
| ETSI | ETSI TS 122 093 | 5.0.0 | Published | Jul 02 | http://www.etsi.org/deliver/etsi_ts/122000_122099/122093/05.00.00_60/ |
| TTC | TS-3GA-22.093(Rel5)v5.0.0 | 5.0.0 | Approved | Aug 02 | http://www.ttc.or.jp/j/document_list/free/TS/TS-3GA-22.093(Rel5)v5.0.0.pdf |
| Release 6 | | | | | |
| CCSA | CCSA-TSD-TDD-22.093 | 6.0.0 | Published | Jun 14 | http://www.ccsa.org.cn/english/tc/files.php?docpath=/ITU-R/M.1457/M.1457-12/TDD |
| ETSI | ETSI TS 122 093 | 6.0.0 | Published | Jan 05 | http://www.etsi.org/deliver/etsi_ts/122000_122099/122093/06.00.00_60/ |
| TTC | TS-3GA-22.093(Rel6)v6.0.0 | 6.0.0 | Approved | Mar 05 | http://www.ttc.or.jp/j/document_list/free/TS/TS-3GA-22.093(Rel6)v6.0.0.pdf |
| Release 7 | | | | | |
| CCSA | CCSA-TSD-TDD-22.093 | 7.0.0 | Published | Jun 14 | http://www.ccsa.org.cn/english/tc/files.php?docpath=/ITU-R/M.1457/M.1457-12/TDD |
| ETSI | ETSI TS 122 093 | 7.0.0 | Published | Jul 07 | http://www.etsi.org/deliver/etsi_ts/122000_122099/122093/07.00.00_60/ |
| TTC | TS-3GA-22.093(Rel7)v7.0.0 | 7.0.0 | Approved | Mar 08 | http://www.ttc.or.jp/j/document_list/free/TS/TS-3GA-22.093(Rel7)v7.0.0.pdf |
| Release 8 | | | | | |
| CCSA | CCSA-TSD-TDD-22.093 | 8.0.0 | Published | Jun 14 | http://www.ccsa.org.cn/english/tc/files.php?docpath=/ITU-R/M.1457/M.1457-12/TDD |
| ETSI | ETSI TS 122 093 | 8.0.0 | Published | Jan 09 | http://www.etsi.org/deliver/etsi_ts/122000_122099/122093/08.00.00_60/ |
| TTC | TS-3GA-22.093(Rel8)v8.0.0 | 8.0.0 | Approved | Feb 09 | http://www.ttc.or.jp/j/document_list/free/3gpps2009/TS/TS-3GA-22.093(Rel8)v8.0.0.pdf |
| Release 9 | | | | | |
| CCSA | CCSA-TSD-TDD-22.093 | 9.0.0 | Published | Jun 14 | http://www.ccsa.org.cn/english/tc/files.php?docpath=/ITU-R/M.1457/M.1457-12/TDD |
| ETSI | ETSI TS 122 093 | 9.0.0 | Published | Jan 10 | http://www.etsi.org/deliver/etsi_ts/122000_122099/122093/09.00.00_60/ |
| TTC | TS-3GA-22.093(Rel9)v9.0.0 | 9.0.0 | Approved | Jul 10 | http://www.ttc.or.jp/j/document_list/free/3gpps2010/TS/TS-3GA-22.093(Rel9)v9.0.0.pdf |
| Release 10 | | | | | |
| CCSA | CCSA-TSD-TDD-22.093 | 10.0.0 | Published | Jun 14 | http://www.ccsa.org.cn/english/tc/files.php?docpath=/ITU-R/M.1457/M.1457-12/TDD |
| ETSI | ETSI TS 122 093 | 10.0.0 | Published | May 11 | http://www.etsi.org/deliver/etsi_ts/122000_122099/122093/10.00.00_60/ |
| TTC | TS-3GA-22.093(Rel10)v10.0.0 | 10.0.0 | Approved | Jun 11 | http://www.ttc.or.jp/j/document_list/free/3gpps2011/TS/TS-3GA-22.093(Rel10)v10.0.0.pdf |
| Release 11 | | | | | |
| CCSA | CCSA-TSD-TDD-22.093 | 11.0.0 | Published | Jun 14 | http://www.ccsa.org.cn/english/tc/files.php?docpath=/ITU-R/M.1457/M.1457-12/TDD |
| ETSI | ETSI TS 122 093 | 11.0.0 | Published | Oct 12 | http://www.etsi.org/deliver/etsi_ts/122000_122099/122093/11.00.00_60/ |
| TTC | TS-3GA-22.093(Rel11)v11.0.0 | 11.0.0 | Approved | Jun 13 | http://www.ttc.or.jp/j/document_list/free/3gpps2013/TS/TS-3GA-22.093(Rel11)v11.0.0.pdf |

5.3.2.13.31 TS 22.094

Follow Me service description; Stage 1

This document specifies the stage 1 description for the Follow Me feature, which enables a mobile subscriber A to manipulate the Follow Me data of a party B in such a way that - under certain conditions - subsequent calls directed to party B will be forwarded to subscriber A.

| SDO (2) | Document No. | Version | Status | Issued date | Location (1) |
|-------------------|-----------------------------|---------|-----------|-------------|---|
| Release 99 | | | | | |
| ETSI | ETSI TS 122 094 | 3.1.0 | Published | Feb 00 | http://www.etsi.org/deliver/etsi_ts/122000_122099/122094/03.01.00_60/ |
| TTC | JP-3GA-22.094(R99) | 3.1.0 | Approved | Mar 00 | http://www.ttc.or.jp/j/document_list/pdf/j/STD/JP-3GA-22.094(R99)v1.pdf |
| Release 4 | | | | | |
| CCSA | CCSA-TSD-TDD-22.094 | 4.1.0 | Published | Jun 14 | http://www.ccsa.org.cn/english/tc/files.php?docpath=/ITU-R/M.1457/M.1457-12/TDD |
| ETSI | ETSI TS 122 094 | 4.1.0 | Published | Apr 02 | http://www.etsi.org/deliver/etsi_ts/122000_122099/122094/04.01.00_60/ |
| TTC | TS-3GA-22.094(Rel4)v4.1.0 | 4.1.0 | Approved | May 02 | http://www.ttc.or.jp/j/document_list/free/TS/TS-3GA-22.094(Rel4)v4.1.0.pdf |
| Release 5 | | | | | |
| CCSA | CCSA-TSD-TDD-22.094 | 5.0.0 | Published | Jun 14 | http://www.ccsa.org.cn/english/tc/files.php?docpath=/ITU-R/M.1457/M.1457-12/TDD |
| ETSI | ETSI TS 122 094 | 5.0.0 | Published | Jul 02 | http://www.etsi.org/deliver/etsi_ts/122000_122099/122094/05.00.00_60/ |
| TTC | TS-3GA-22.094(Rel5)v5.0.0 | 5.0.0 | Approved | Aug 02 | http://www.ttc.or.jp/j/document_list/free/TS/TS-3GA-22.094(Rel5)v5.0.0.pdf |
| Release 6 | | | | | |
| CCSA | CCSA-TSD-TDD-22.094 | 6.0.0 | Published | Jun 14 | http://www.ccsa.org.cn/english/tc/files.php?docpath=/ITU-R/M.1457/M.1457-12/TDD |
| ETSI | ETSI TS 122 094 | 6.0.0 | Published | Jan 05 | http://www.etsi.org/deliver/etsi_ts/122000_122099/122094/06.00.00_60/ |
| TTC | TS-3GA-22.094(Rel6)v6.0.0 | 6.0.0 | Approved | Mar 05 | http://www.ttc.or.jp/j/document_list/free/TS/TS-3GA-22.094(Rel6)v6.0.0.pdf |
| Release 7 | | | | | |
| CCSA | CCSA-TSD-TDD-22.094 | 7.0.0 | Published | Jun 14 | http://www.ccsa.org.cn/english/tc/files.php?docpath=/ITU-R/M.1457/M.1457-12/TDD |
| ETSI | ETSI TS 122 094 | 7.0.0 | Published | Jul 07 | http://www.etsi.org/deliver/etsi_ts/122000_122099/122094/07.00.00_60/ |
| TTC | TS-3GA-22.094(Rel7)v7.0.0 | 7.0.0 | Approved | Mar 08 | http://www.ttc.or.jp/j/document_list/free/TS/TS-3GA-22.094(Rel7)v7.0.0.pdf |
| Release 8 | | | | | |
| CCSA | CCSA-TSD-TDD-22.094 | 8.0.0 | Published | Jun 14 | http://www.ccsa.org.cn/english/tc/files.php?docpath=/ITU-R/M.1457/M.1457-12/TDD |
| ETSI | ETSI TS 122 094 | 8.0.0 | Published | Jan 09 | http://www.etsi.org/deliver/etsi_ts/122000_122099/122094/08.00.00_60/ |
| TTC | TS-3GA-22.094(Rel8)v8.0.0 | 8.0.0 | Approved | Feb 09 | http://www.ttc.or.jp/j/document_list/free/3gpps2009/TS/TS-3GA-22.094(Rel8)v8.0.0.pdf |
| Release 9 | | | | | |
| CCSA | CCSA-TSD-TDD-22.094 | 9.0.0 | Published | Jun 14 | http://www.ccsa.org.cn/english/tc/files.php?docpath=/ITU-R/M.1457/M.1457-12/TDD |
| ETSI | ETSI TS 122 094 | 9.0.0 | Published | Jan 10 | http://www.etsi.org/deliver/etsi_ts/122000_122099/122094/09.00.00_60/ |
| TTC | TS-3GA-22.094(Rel9)v9.0.0 | 9.0.0 | Approved | Jul 10 | http://www.ttc.or.jp/j/document_list/free/3gpps2010/TS/TS-3GA-22.094(Rel9)v9.0.0.pdf |
| Release 10 | | | | | |
| CCSA | CCSA-TSD-TDD-22.094 | 10.0.0 | Published | Jun 14 | http://www.ccsa.org.cn/english/tc/files.php?docpath=/ITU-R/M.1457/M.1457-12/TDD |
| ETSI | ETSI TS 122 094 | 10.0.0 | Published | May 11 | http://www.etsi.org/deliver/etsi_ts/122000_122099/122094/10.00.00_60/ |
| TTC | TS-3GA-22.094(Rel10)v10.0.0 | 10.0.0 | Approved | Jun 11 | http://www.ttc.or.jp/j/document_list/free/3gpps2011/TS/TS-3GA-22.094(Rel10)v10.0.0.pdf |
| Release 11 | | | | | |
| CCSA | CCSA-TSD-TDD-22.094 | 11.0.0 | Published | Jun 14 | http://www.ccsa.org.cn/english/tc/files.php?docpath=/ITU-R/M.1457/M.1457-12/TDD |
| ETSI | ETSI TS 122 094 | 11.0.0 | Published | Oct 12 | http://www.etsi.org/deliver/etsi_ts/122000_122099/122094/11.00.00_60/ |
| TTC | TS-3GA-22.094(Rel11)v11.0.0 | 11.0.0 | Approved | Jun 13 | http://www.ttc.or.jp/j/document_list/free/3gpps2013/TS/TS-3GA-22.094(Rel11)v11.0.0.pdf |

5.3.2.13.32 TS 22.096

Name identification supplementary services; Stage 1

This document specifies the supplementary services belonging to the group Name Identification supplementary services, which consist of Calling Name Presentation (CNAP).

| SDO (2) | Document No. | Version | Status | Issued date | Location (1) |
|-------------------|-----------------------------|---------|-----------|-------------|---|
| Release 99 | | | | | |
| ETSI | ETSI TS 122 096 | 3.0.1 | Published | Feb 00 | http://www.etsi.org/deliver/etsi_ts/122000_122099/122096/03.00.01_60/ |
| TTC | JP-3GA-22.096(R99) | 3.0.1 | Approved | Mar 00 | http://www.ttc.or.jp/j/document_list/pdf/j/STD/JP-3GA-22.096(R99)v1.pdf |
| Release 4 | | | | | |
| CCSA | CCSA-TSD-TDD-22.096 | 4.0.0 | Published | Jun 14 | http://www.ccsa.org.cn/english/tc/files.php?docpath=/ITU-R/M.1457/M.1457-12/TDD |
| ETSI | ETSI TS 122 096 | 4.0.0 | Published | Apr 01 | http://www.etsi.org/deliver/etsi_ts/122000_122099/122096/04.00.00_60/ |
| TTC | TS-3GA-22.096(Rel4)v4.0.0 | 4.0.0 | Approved | May 01 | http://www.ttc.or.jp/j/document_list/free/TS/TS-3GA-22.096(Rel4)v4.0.0.pdf |
| Release 5 | | | | | |
| CCSA | CCSA-TSD-TDD-22.096 | 5.0.0 | Published | Jun 14 | http://www.ccsa.org.cn/english/tc/files.php?docpath=/ITU-R/M.1457/M.1457-12/TDD |
| ETSI | ETSI TS 122 096 | 5.0.0 | Published | Jul 02 | http://www.etsi.org/deliver/etsi_ts/122000_122099/122096/05.00.00_60/ |
| TTC | TS-3GA-22.096(Rel5)v5.0.0 | 5.0.0 | Approved | Aug 02 | http://www.ttc.or.jp/j/document_list/free/TS/TS-3GA-22.096(Rel5)v5.0.0.pdf |
| Release 6 | | | | | |
| CCSA | CCSA-TSD-TDD-22.096 | 6.0.0 | Published | Jun 14 | http://www.ccsa.org.cn/english/tc/files.php?docpath=/ITU-R/M.1457/M.1457-12/TDD |
| ETSI | ETSI TS 122 096 | 6.0.0 | Published | Jan 05 | http://www.etsi.org/deliver/etsi_ts/122000_122099/122096/06.00.00_60/ |
| TTC | TS-3GA-22.096(Rel6)v6.0.0 | 6.0.0 | Approved | Mar 05 | http://www.ttc.or.jp/j/document_list/free/TS/TS-3GA-22.096(Rel6)v6.0.0.pdf |
| Release 7 | | | | | |
| CCSA | CCSA-TSD-TDD-22.096 | 7.0.0 | Published | Jun 14 | http://www.ccsa.org.cn/english/tc/files.php?docpath=/ITU-R/M.1457/M.1457-12/TDD |
| ETSI | ETSI TS 122 096 | 7.0.0 | Published | Jul 07 | http://www.etsi.org/deliver/etsi_ts/122000_122099/122096/07.00.00_60/ |
| TTC | TS-3GA-22.096(Rel7)v7.0.0 | 7.0.0 | Approved | Mar 08 | http://www.ttc.or.jp/j/document_list/free/TS/TS-3GA-22.096(Rel7)v7.0.0.pdf |
| Release 8 | | | | | |
| CCSA | CCSA-TSD-TDD-22.096 | 8.0.0 | Published | Jun 14 | http://www.ccsa.org.cn/english/tc/files.php?docpath=/ITU-R/M.1457/M.1457-12/TDD |
| ETSI | ETSI TS 122 096 | 8.0.0 | Published | Jan 09 | http://www.etsi.org/deliver/etsi_ts/122000_122099/122096/08.00.00_60/ |
| TTC | TS-3GA-22.096(Rel8)v8.0.0 | 8.0.0 | Approved | Feb 09 | http://www.ttc.or.jp/j/document_list/free/3gpps2009/TS/TS-3GA-22.096(Rel8)v8.0.0.pdf |
| Release 9 | | | | | |
| CCSA | CCSA-TSD-TDD-22.096 | 9.0.0 | Published | Jun 14 | http://www.ccsa.org.cn/english/tc/files.php?docpath=/ITU-R/M.1457/M.1457-12/TDD |
| ETSI | ETSI TS 122 096 | 9.0.0 | Published | Jan 10 | http://www.etsi.org/deliver/etsi_ts/122000_122099/122096/09.00.00_60/ |
| TTC | TS-3GA-22.096(Rel9)v9.0.0 | 9.0.0 | Approved | Jul 10 | http://www.ttc.or.jp/j/document_list/free/3gpps2010/TS/TS-3GA-22.096(Rel9)v9.0.0.pdf |
| Release 10 | | | | | |
| CCSA | CCSA-TSD-TDD-22.096 | 10.0.0 | Published | Jun 14 | http://www.ccsa.org.cn/english/tc/files.php?docpath=/ITU-R/M.1457/M.1457-12/TDD |
| ETSI | ETSI TS 122 096 | 10.0.0 | Published | May 11 | http://www.etsi.org/deliver/etsi_ts/122000_122099/122096/10.00.00_60/ |
| TTC | TS-3GA-22.096(Rel10)v10.0.0 | 10.0.0 | Approved | Jun 11 | http://www.ttc.or.jp/j/document_list/free/3gpps2011/TS/TS-3GA-22.096(Rel10)v10.0.0.pdf |
| Release 11 | | | | | |
| CCSA | CCSA-TSD-TDD-22.096 | 11.0.0 | Published | Jun 14 | http://www.ccsa.org.cn/english/tc/files.php?docpath=/ITU-R/M.1457/M.1457-12/TDD |
| ETSI | ETSI TS 122 096 | 11.0.0 | Published | Oct 12 | http://www.etsi.org/deliver/etsi_ts/122000_122099/122096/11.00.00_60/ |
| TTC | TS-3GA-22.096(Rel11)v11.0.0 | 11.0.0 | Approved | Jun 13 | http://www.ttc.or.jp/j/document_list/free/3gpps2013/TS/TS-3GA-22.096(Rel11)v11.0.0.pdf |

5.3.2.13.33 TS 22.100**UMTS Phase 1**

This specification describes contains how the definition of the UMTS system will be achieved in a phased approach. This document also specifies the requirements for release 99 of UMTS. Some requirements which are necessary to ensure a smooth transition to later releases are also indicated. This document should, however, be read in conjunction with the other 22.000 series documents which provide a complete description of the requirements for UMTS release 1999 and beyond.

| SDO (2) | Document No. | Version | Status | Issued date | Location (1) |
|-------------------|---------------------|---------|-----------|-------------|---|
| Release 99 | | | | | |
| ARIB | ARIB STD-T63-22.100 | 3.7.0 | Approved | Jul 13 | http://www.arib.or.jp/english/html/overview/doc/STD-T63v10_00/2_T63/ARIB-STD-T63/R99/22/A22100-370.pdf |
| CCSA | CCSA-TSD-TDD-22.100 | 3.7.0 | Published | Jun 14 | http://www.ccsa.org.cn/english/tc/files.php?docpath=/ITU-R/M.1457/M.1457-12/TDD |
| ETSI | ETSI TS 122 100 | 3.7.0 | Published | Oct 01 | http://www.etsi.org/deliver/etsi_ts/122100_122199/122100/03.07.00_60/ |

5.3.2.13.34 TS 22.101**Service aspects; Service principles**

This specification describes the service principles of the UMTS.

| SDO (2) | Document No. | Version | Status | Issued date | Location (1) |
|-------------------|---------------------|---------|-----------|-------------|---|
| Release 99 | | | | | |
| ARIB | ARIB STD-T63-22.101 | 3.17.0 | Approved | Jul 13 | http://www.arib.or.jp/english/html/overview/doc/STD-T63v10_00/2_T63/ARIB-STD-T63/R99/22/A22101-3h0.pdf |
| CCSA | CCSA-TSD-TDD-22.101 | 3.7.0 | Published | Apr 04 | http://www.ccsa.org.cn/english/tc/files.php?docpath=/ITU-R/M.1457/M.1457-12/TDD |
| ETSI | ETSI TS 122 101 | 3.17.0 | Published | Apr 04 | http://www.etsi.org/deliver/etsi_ts/122100_122199/122101/03.17.00_60/ |
| Release 4 | | | | | |
| ARIB | ARIB STD-T63-22.101 | 4.10.0 | Approved | Jul 13 | http://www.arib.or.jp/english/html/overview/doc/STD-T63v10_00/2_T63/ARIB-STD-T63/Rel4/22/A22101-4a0.pdf |
| CCSA | CCSA-TSD-TDD-22.101 | 4.10.0 | Published | Apr 04 | http://www.ccsa.org.cn/english/tc/files.php?docpath=/ITU-R/M.1457/M.1457-12/TDD |
| ETSI | ETSI TS 122 101 | 4.10.0 | Published | Apr 04 | http://www.etsi.org/deliver/etsi_ts/122100_122199/122101/04.10.00_60/ |
| Release 5 | | | | | |
| ARIB | ARIB STD-T63-22.101 | 5.14.0 | Approved | Jul 13 | http://www.arib.or.jp/english/html/overview/doc/STD-T63v10_00/2_T63/ARIB-STD-T63/Rel5/22/A22101-5e0.pdf |
| CCSA | CCSA-TSD-TDD-22.101 | 5.14.0 | Published | Jul 07 | http://www.ccsa.org.cn/english/tc/files.php?docpath=/ITU-R/M.1457/M.1457-12/TDD |
| ETSI | ETSI TS 122 101 | 5.14.0 | Published | Jul 07 | http://www.etsi.org/deliver/etsi_ts/122100_122199/122101/05.14.00_60/ |
| Release 6 | | | | | |
| ARIB | ARIB STD-T63-22.101 | 6.12.0 | Approved | Jul 13 | http://www.arib.or.jp/english/html/overview/doc/STD-T63v10_00/2_T63/ARIB-STD-T63/Rel6/22/A22101-6c0.pdf |
| CCSA | CCSA-TSD-TDD-22.101 | 6.12.0 | Published | Jul 07 | http://www.ccsa.org.cn/english/tc/files.php?docpath=/ITU-R/M.1457/M.1457-12/TDD |
| ETSI | ETSI TS 122 101 | 6.12.0 | Published | Jul 07 | http://www.etsi.org/deliver/etsi_ts/122100_122199/122101/06.12.00_60/ |
| Release 7 | | | | | |
| ARIB | ARIB STD-T63-22.101 | 7.12.0 | Approved | Jul 13 | http://www.arib.or.jp/english/html/overview/doc/STD-T63v10_00/2_T63/ARIB-STD-T63/Rel7/22/A22101-7c0.pdf |
| CCSA | CCSA-TSD-TDD-22.101 | 7.12.0 | Published | Mar 09 | http://www.ccsa.org.cn/english/tc/files.php?docpath=/ITU-R/M.1457/M.1457-12/TDD |
| ETSI | ETSI TS 122 101 | 7.12.0 | Published | Mar 09 | http://www.etsi.org/deliver/etsi_ts/122100_122199/122101/07.12.00_60/ |
| Release 8 | | | | | |
| ARIB | ARIB STD-T63-22.101 | 8.15.0 | Approved | Jul 13 | http://www.arib.or.jp/english/html/overview/doc/STD-T63v10_00/2_T63/ARIB-STD-T63/Rel8/22/A22101-8f0.pdf |

| | | | | | |
|-------------------|---------------------|---------|-----------|--------|---|
| CCSA | CCSA-TSD-TDD-22.101 | 8.14.0 | Published | Mar 10 | http://www.ccsa.org.cn/english/tc/files.php?docpath=/ITU-R/M.1457/M.1457-12/TDD |
| ETSI | ETSI TS 122 101 | 8.15.0 | Published | Sep 12 | http://www.etsi.org/deliver/etsi_ts/122100_122199/122101/08.15.00_60/ |
| Release 9 | | | | | |
| ARIB | ARIB STD-T63-22.101 | 9.11.0 | Approved | Jul 13 | http://www.arib.or.jp/english/html/overview/doc/STD-T63v10_00/2_T63/ARIB-STD-T63/Rel9/22/A22101-9b0.pdf |
| CCSA | CCSA-TSD-TDD-22.101 | 9.9.0 | Published | Jun 12 | http://www.ccsa.org.cn/english/tc/files.php?docpath=/ITU-R/M.1457/M.1457-12/TDD |
| ETSI | ETSI TS 122 101 | 9.11.0 | Published | Sep 12 | http://www.etsi.org/deliver/etsi_ts/122100_122199/122101/09.11.00_60/ |
| Release 10 | | | | | |
| ARIB | ARIB STD-T63-22.101 | 10.10.0 | Approved | Jul 13 | http://www.arib.or.jp/english/html/overview/doc/STD-T63v10_00/2_T63/ARIB-STD-T63/Rel10/22/A22101-aa0.pdf |
| CCSA | CCSA-TSD-TDD-22.101 | 10.7.0 | Published | Jun 12 | http://www.ccsa.org.cn/english/tc/files.php?docpath=/ITU-R/M.1457/M.1457-12/TDD |
| ETSI | ETSI TS 122 101 | 10.10.0 | Published | Jan 13 | http://www.etsi.org/deliver/etsi_ts/122100_122199/122101/10.10.00_60/ |
| Release 11 | | | | | |
| ARIB | ARIB STD-T63-22.101 | 11.8.0 | Approved | Jul 13 | http://www.arib.or.jp/english/html/overview/doc/STD-T63v10_00/2_T63/ARIB-STD-T63/Rel11/22/A22101-b80.pdf |
| CCSA | CCSA-TSD-TDD-22.101 | 11.9.0 | Published | Jun 14 | http://www.ccsa.org.cn/english/tc/files.php?docpath=/ITU-R/M.1457/M.1457-12/TDD |
| ETSI | ETSI TS 122 101 | 11.8.0 | Published | Jan 13 | http://www.etsi.org/deliver/etsi_ts/122100_122199/122101/11.08.00_60/ |

5.3.2.13.35 TS 22.105

Services and service capabilities

Pre-UMTS systems have largely standardized the complete sets of bearer services, teleservices and supplementary services which they provide. One major difference between UMTS and pre-UMTS systems is that service capabilities rather than services are standardized for UMTS, allowing service differentiation and system continuity. This document describes how and what kind of services the UMTS user has access to.

| SDO (2) | Document No. | Version | Status | Issued date | Location (1) |
|-------------------|---------------------|---------|-----------|-------------|---|
| Release 99 | | | | | |
| ARIB | ARIB STD-T63-22.105 | 3.10.0 | Approved | Jul 13 | http://www.arib.or.jp/english/html/overview/doc/STD-T63v10_00/2_T63/ARIB-STD-T63/R99/22/A22105-3a0.pdf |
| CCSA | CCSA-TSD-TDD-22.105 | 3.10.0 | Published | Feb 01 | http://www.ccsa.org.cn/english/tc/files.php?docpath=/ITU-R/M.1457/M.1457-12/TDD |
| ETSI | ETSI TS 122 105 | 3.10.0 | Published | Feb 01 | http://www.etsi.org/deliver/etsi_ts/122100_122199/122105/03.10.00_60/ |
| Release 4 | | | | | |
| ARIB | ARIB STD-T63-22.105 | 4.3.0 | Approved | Jul 13 | http://www.arib.or.jp/english/html/overview/doc/STD-T63v10_00/2_T63/ARIB-STD-T63/Rel4/22/A22105-430.pdf |
| CCSA | CCSA-TSD-TDD-22.105 | 4.3.0 | Published | Apr 02 | http://www.ccsa.org.cn/english/tc/files.php?docpath=/ITU-R/M.1457/M.1457-12/TDD |
| ETSI | ETSI TS 122 105 | 4.3.0 | Published | Apr 02 | http://www.etsi.org/deliver/etsi_ts/122100_122199/122105/04.03.00_60/ |
| Release 5 | | | | | |
| ARIB | ARIB STD-T63-22.105 | 5.2.0 | Approved | Jul 13 | http://www.arib.or.jp/english/html/overview/doc/STD-T63v10_00/2_T63/ARIB-STD-T63/Rel5/22/A22105-520.pdf |
| CCSA | CCSA-TSD-TDD-22.105 | 5.2.0 | Published | Jul 02 | http://www.ccsa.org.cn/english/tc/files.php?docpath=/ITU-R/M.1457/M.1457-12/TDD |
| ETSI | ETSI TS 122 105 | 5.2.0 | Published | Jul 02 | http://www.etsi.org/deliver/etsi_ts/122100_122199/122105/05.02.00_60/ |
| Release 6 | | | | | |
| ARIB | ARIB STD-T63-22.105 | 6.4.0 | Approved | Jul 13 | http://www.arib.or.jp/english/html/overview/doc/STD-T63v10_00/2_T63/ARIB-STD-T63/Rel6/22/A22105-640.pdf |
| CCSA | CCSA-TSD-TDD-22.105 | 6.4.0 | Published | Oct 05 | http://www.ccsa.org.cn/english/tc/files.php?docpath=/ITU-R/M.1457/M.1457-12/TDD |
| ETSI | ETSI TS 122 105 | 6.4.0 | Published | Oct 05 | http://www.etsi.org/deliver/etsi_ts/122100_122199/122105/06.04.00_60/ |
| Release 7 | | | | | |
| ARIB | ARIB STD-T63-22.105 | 7.1.0 | Approved | Jul 13 | http://www.arib.or.jp/english/html/overview/doc/STD-T63v10_00/2_T63/ARIB-STD-T63/Rel7/22/A22105-710.pdf |

| | | | | | |
|-------------------|---------------------|--------|-----------|--------|---|
| CCSA | CCSA-TSD-TDD-22.105 | 7.1.0 | Published | Apr 07 | http://www.ccsa.org.cn/english/tc/files.php?docpath=/ITU-R/M.1457/M.1457-12/TDD |
| ETSI | ETSI TS 122 105 | 7.1.0 | Published | Apr 07 | http://www.etsi.org/deliver/etsi_ts/122100_122199/122105/07.01.00_60/ |
| Release 8 | | | | | |
| ARIB | ARIB STD-T63-22.105 | 8.4.0 | Approved | Jul 13 | http://www.arib.or.jp/english/html/overview/doc/STD-T63v10_00/2_T63/ARIB-STD-T63/Rel8/22/A22105-840.pdf |
| CCSA | CCSA-TSD-TDD-22.105 | 8.4.0 | Published | Jan 08 | http://www.ccsa.org.cn/english/tc/files.php?docpath=/ITU-R/M.1457/M.1457-12/TDD |
| ETSI | ETSI TS 122 105 | 8.4.0 | Published | Jan 08 | http://www.etsi.org/deliver/etsi_ts/122100_122199/122105/08.04.00_60/ |
| Release 9 | | | | | |
| ARIB | ARIB STD-T63-22.105 | 9.1.0 | Approved | Jul 13 | http://www.arib.or.jp/english/html/overview/doc/STD-T63v10_00/2_T63/ARIB-STD-T63/Rel9/22/A22105-910.pdf |
| CCSA | CCSA-TSD-TDD-22.105 | 9.1.0 | Published | Jun 12 | http://www.ccsa.org.cn/english/tc/files.php?docpath=/ITU-R/M.1457/M.1457-12/TDD |
| ETSI | ETSI TS 122 105 | 9.1.0 | Published | Oct 10 | http://www.etsi.org/deliver/etsi_ts/122100_122199/122105/09.01.00_60/ |
| Release 10 | | | | | |
| ARIB | ARIB STD-T63-22.105 | 10.0.0 | Approved | Jul 13 | http://www.arib.or.jp/english/html/overview/doc/STD-T63v10_00/2_T63/ARIB-STD-T63/Rel10/22/A22105-a00.pdf |
| CCSA | CCSA-TSD-TDD-22.105 | 10.0.0 | Published | Jun 12 | http://www.ccsa.org.cn/english/tc/files.php?docpath=/ITU-R/M.1457/M.1457-12/TDD |
| ETSI | ETSI TS 122 105 | 10.0.0 | Published | May 11 | http://www.etsi.org/deliver/etsi_ts/122100_122199/122105/10.00.00_60/ |
| Release 11 | | | | | |
| ARIB | ARIB STD-T63-22.105 | 11.0.1 | Approved | Jul 13 | http://www.arib.or.jp/english/html/overview/doc/STD-T63v10_00/2_T63/ARIB-STD-T63/Rel11/22/A22105-b01.pdf |
| CCSA | CCSA-TSD-TDD-22.105 | 11.1.0 | Published | Jun 14 | http://www.ccsa.org.cn/english/tc/files.php?docpath=/ITU-R/M.1457/M.1457-12/TDD |
| ETSI | ETSI TS 122 105 | 11.0.1 | Published | Nov 12 | http://www.etsi.org/deliver/etsi_ts/122100_122199/122105/11.00.01_60/ |

5.3.2.13.36 TS 22.115

Service aspects; Charging and billing

This specification describes the service aspects of charging and billing of the UMTS. This standard is not intended to duplicate existing standards or standards being developed by other groups on these topics, and will reference these where appropriate. This standard will elaborate on the charging requirements described in the charging principles in TS 22.101 UMTS service principles. It will allow the generation of accurate charging information to be used in the commercial and contractual relationships between the parties concerned.

| SDO (2) | Document No. | Version | Status | Issued date | Location (1) |
|-------------------|---------------------------|---------|-----------|-------------|---|
| Release 99 | | | | | |
| CCSA | CCSA-TSD-TDD-22.115 | 3.4.0 | Published | Jan 04 | http://www.ccsa.org.cn/english/tc/files.php?docpath=/ITU-R/M.1457/M.1457-12/TDD |
| ETSI | ETSI TS 122 115 | 3.4.0 | Published | Jan 04 | http://www.etsi.org/deliver/etsi_ts/122100_122199/122115/03.04.00_60/ |
| TTC | TS-3GA-22.115(R99)v3.4.0 | 3.4.0 | Approved | Feb 04 | http://www.ttc.or.jp/j/document_list/free/TS/TS-3GA-22.115(R99)v3.4.0.pdf |
| Release 4 | | | | | |
| CCSA | CCSA-TSD-TDD-22.115 | 4.1.0 | Published | Jan 04 | http://www.ccsa.org.cn/english/tc/files.php?docpath=/ITU-R/M.1457/M.1457-12/TDD |
| ETSI | ETSI TS 122 115 | 4.1.0 | Published | Jan 04 | http://www.etsi.org/deliver/etsi_ts/122100_122199/122115/04.01.00_60/ |
| TTC | TS-3GA-22.115(Rel4)v4.1.0 | 4.1.0 | Approved | Feb 04 | http://www.ttc.or.jp/j/document_list/free/TS/TS-3GA-22.115(Rel4)v4.1.0.pdf |
| Release 5 | | | | | |
| CCSA | CCSA-TSD-TDD-22.115 | 5.5.0 | Published | Oct 07 | http://www.ccsa.org.cn/english/tc/files.php?docpath=/ITU-R/M.1457/M.1457-12/TDD |
| ETSI | ETSI TS 122 115 | 5.5.0 | Published | Oct 07 | http://www.etsi.org/deliver/etsi_ts/122100_122199/122115/05.05.00_60/ |
| TTC | TS-3GA-22.115(Rel5)v5.5.0 | 5.5.0 | Approved | Mar 08 | http://www.ttc.or.jp/j/document_list/free/TS/TS-3GA-22.115(Rel5)v5.5.0.pdf |
| Release 6 | | | | | |

| | | | | | |
|-------------------|-----------------------------|--------|-----------|--------|---|
| CCSA | CCSA-TSD-TDD-22.115 | 6.8.0 | Published | Oct 07 | http://www.ccsa.org.cn/english/tc/files.php?docpath=/ITU-R/M.1457/M.1457-12/TDD |
| ETSI | ETSI TS 122 115 | 6.8.0 | Published | Oct 07 | http://www.etsi.org/deliver/etsi_ts/122100_122199/122115/06.08.00_60/ |
| TTC | TS-3GA-22.115(Rel6)v6.8.0 | 6.8.0 | Approved | Mar 08 | http://www.ttc.or.jp/j/document_list/free/TS/TS-3GA-22.115(Rel6)v6.8.0.pdf |
| Release 7 | | | | | |
| CCSA | CCSA-TSD-TDD-22.115 | 7.1.0 | Published | Oct 07 | http://www.ccsa.org.cn/english/tc/files.php?docpath=/ITU-R/M.1457/M.1457-12/TDD |
| ETSI | ETSI TS 122 115 | 7.1.0 | Published | Oct 07 | http://www.etsi.org/deliver/etsi_ts/122100_122199/122115/07.01.00_60/ |
| TTC | TS-3GA-22.115(Rel7)v7.1.0 | 7.1.0 | Approved | Mar 08 | http://www.ttc.or.jp/j/document_list/free/TS/TS-3GA-22.115(Rel7)v7.1.0.pdf |
| Release 8 | | | | | |
| CCSA | CCSA-TSD-TDD-22.115 | 8.3.0 | Published | Apr 08 | http://www.ccsa.org.cn/english/tc/files.php?docpath=/ITU-R/M.1457/M.1457-12/TDD |
| ETSI | ETSI TS 122 115 | 8.3.0 | Published | Apr 08 | http://www.etsi.org/deliver/etsi_ts/122100_122199/122115/08.03.00_60/ |
| TTC | TS-3GA-22.115(Rel8)v8.3.0 | 8.3.0 | Approved | Feb 09 | http://www.ttc.or.jp/j/document_list/free/3gpps2009/TS/TS-3GA-22.115(Rel8)v8.3.0.pdf |
| Release 9 | | | | | |
| CCSA | CCSA-TSD-TDD-22.115 | 9.2.0 | Published | Jun 12 | http://www.ccsa.org.cn/english/tc/files.php?docpath=/ITU-R/M.1457/M.1457-12/TDD |
| ETSI | ETSI TS 122 115 | 9.2.0 | Published | Apr 10 | http://www.etsi.org/deliver/etsi_ts/122100_122199/122115/09.02.00_60/ |
| TTC | TS-3GA-22.115(Rel9)v9.2.0 | 9.2.0 | Approved | Jul 10 | http://www.ttc.or.jp/j/document_list/free/3gpps2010/TS/TS-3GA-22.115(Rel9)v9.2.0.pdf |
| Release 10 | | | | | |
| CCSA | CCSA-TSD-TDD-22.115 | 10.2.0 | Published | Jun 12 | http://www.ccsa.org.cn/english/tc/files.php?docpath=/ITU-R/M.1457/M.1457-12/TDD |
| ETSI | ETSI TS 122 115 | 10.2.0 | Published | Oct 11 | http://www.etsi.org/deliver/etsi_ts/122100_122199/122115/10.02.00_60/ |
| TTC | TS-3GA-22.115(Rel10)v10.2.0 | 10.2.0 | Approved | Dec 11 | http://www.ttc.or.jp/j/document_list/free/3gpps2011/TS/TS-3GA-22.115(Rel10)v10.2.0.pdf |
| Release 11 | | | | | |
| CCSA | CCSA-TSD-TDD-22.115 | 11.6.0 | Published | Jun 14 | http://www.ccsa.org.cn/english/tc/files.php?docpath=/ITU-R/M.1457/M.1457-12/TDD |
| ETSI | ETSI TS 122 115 | 11.6.0 | Published | Sep 12 | http://www.etsi.org/deliver/etsi_ts/122100_122199/122115/11.06.00_60/ |
| TTC | TS-3GA-22.115(Rel11)v11.6.0 | 11.6.0 | Approved | Jun 13 | http://www.ttc.or.jp/j/document_list/free/3gpps2013/TS/TS-3GA-22.115(Rel11)v11.6.0.pdf |

5.3.2.13.37 TS 22.129

Service aspects; Handover requirements between UTRAN and GERAN or other radio systems

This specification describes service requirements for handover (terms are defined below) within UMTS systems and between UMTS, other IMT_2000 family members and second generation systems. Particular emphasis has been placed on the description of requirements for handover between UMTS and GSM but requirements specific to other systems are incorporated as required.

| SDO (2) | Document No. | Version | Status | Issued date | Location (1) |
|-------------------|---------------------------|---------|-----------|-------------|---|
| Release 99 | | | | | |
| CCSA | CCSA-TSD-TDD-22.129 | 3.6.0 | Published | Jan 02 | http://www.ccsa.org.cn/english/tc/files.php?docpath=/ITU-R/M.1457/M.1457-12/TDD |
| ETSI | ETSI TS 122 129 | 3.6.0 | Published | Jan 02 | http://www.etsi.org/deliver/etsi_ts/122100_122199/122129/03.06.00_60/ |
| TTC | TS-3GA-22.129(R99)v3.6.0 | 3.6.0 | Approved | Feb 02 | http://www.ttc.or.jp/j/document_list/free/TS/TS-3GA-22.129(R99)v3.6.0.pdf |
| Release 4 | | | | | |
| CCSA | CCSA-TSD-TDD-22.129 | 4.4.0 | Published | Jan 02 | http://www.ccsa.org.cn/english/tc/files.php?docpath=/ITU-R/M.1457/M.1457-12/TDD |
| ETSI | ETSI TS 122 129 | 4.4.0 | Published | Jan 02 | http://www.etsi.org/deliver/etsi_ts/122100_122199/122129/04.04.00_60/ |
| TTC | TS-3GA-22.129(Rel4)v4.4.0 | 4.4.0 | Approved | Feb 02 | http://www.ttc.or.jp/j/document_list/free/TS/TS-3GA-22.129(Rel4)v4.4.0.pdf |
| Release 5 | | | | | |
| CCSA | CCSA-TSD-TDD-22.129 | 5.2.0 | Published | Jul 02 | http://www.ccsa.org.cn/english/tc/files.php?docpath=/ITU-R/M.1457/M.1457-12/TDD |

| | | | | | |
|-------------------|-----------------------------|--------|-----------|--------|---|
| ETSI | ETSI TS 122 129 | 5.2.0 | Published | Jul 02 | http://www.etsi.org/deliver/etsi_ts/122100_122199/122129/05.02.00_60/ |
| TTC | TS-3GA-22.129(Rel5)v5.2.0 | 5.2.0 | Approved | Aug 02 | http://www.ttc.or.jp/j/document_list/free/TS/TS-3GA-22.129(Rel5)v5.2.0.pdf |
| Release 6 | | | | | |
| CCSA | CCSA-TSD-TDD-22.129 | 6.1.0 | Published | Jan 05 | http://www.ccsa.org.cn/english/tc/files.php?docpath=/ITU-R/M.1457/M.1457-12/TDD |
| ETSI | ETSI TS 122 129 | 6.1.0 | Published | Jan 05 | http://www.etsi.org/deliver/etsi_ts/122100_122199/122129/06.01.00_60/ |
| TTC | TS-3GA-22.129(Rel6)v6.1.0 | 6.1.0 | Approved | Mar 05 | http://www.ttc.or.jp/j/document_list/free/TS/TS-3GA-22.129(Rel6)v6.1.0.pdf |
| Release 7 | | | | | |
| CCSA | CCSA-TSD-TDD-22.129 | 7.0.0 | Published | Apr 07 | http://www.ccsa.org.cn/english/tc/files.php?docpath=/ITU-R/M.1457/M.1457-12/TDD |
| ETSI | ETSI TS 122 129 | 7.0.0 | Published | Apr 07 | http://www.etsi.org/deliver/etsi_ts/122100_122199/122129/07.00.00_60/ |
| TTC | TS-3GA-22.129(Rel7)v7.0.0 | 7.0.0 | Approved | Mar 08 | http://www.ttc.or.jp/j/document_list/free/TS/TS-3GA-22.129(Rel7)v7.0.0.pdf |
| Release 8 | | | | | |
| CCSA | CCSA-TSD-TDD-22.129 | 8.1.0 | Published | Jan 08 | http://www.ccsa.org.cn/english/tc/files.php?docpath=/ITU-R/M.1457/M.1457-12/TDD |
| ETSI | ETSI TS 122 129 | 8.1.0 | Published | Jan 08 | http://www.etsi.org/deliver/etsi_ts/122100_122199/122129/08.01.00_60/ |
| TTC | TS-3GA-22.129(Rel8)v8.1.0 | 8.1.0 | Approved | Feb 09 | http://www.ttc.or.jp/j/document_list/free/3gpps2009/TS/TS-3GA-22.129(Rel8)v8.1.0.pdf |
| Release 9 | | | | | |
| CCSA | CCSA-TSD-TDD-22.129 | 9.0.0 | Published | Mar 10 | http://www.ccsa.org.cn/english/tc/files.php?docpath=/ITU-R/M.1457/M.1457-12/TDD |
| ETSI | ETSI TS 122 129 | 9.0.0 | Published | Jan 10 | http://www.etsi.org/deliver/etsi_ts/122100_122199/122129/09.00.00_60/ |
| TTC | TS-3GA-22.129(Rel9)v9.0.0 | 9.0.0 | Approved | Jul 10 | http://www.ttc.or.jp/j/document_list/free/3gpps2010/TS/TS-3GA-22.129(Rel9)v9.0.0.pdf |
| Release 10 | | | | | |
| CCSA | CCSA-TSD-TDD-22.129 | 10.0.0 | Published | Jun 12 | http://www.ccsa.org.cn/english/tc/files.php?docpath=/ITU-R/M.1457/M.1457-12/TDD |
| ETSI | ETSI TS 122 129 | 10.0.0 | Published | May 11 | http://www.etsi.org/deliver/etsi_ts/122100_122199/122129/10.00.00_60/ |
| TTC | TS-3GA-22.129(Rel10)v10.0.0 | 10.0.0 | Approved | Jun 11 | http://www.ttc.or.jp/j/document_list/free/3gpps2011/TS/TS-3GA-22.129(Rel10)v10.0.0.pdf |
| Release 11 | | | | | |
| CCSA | CCSA-TSD-TDD-22.129 | 11.0.0 | Published | Jun 14 | http://www.ccsa.org.cn/english/tc/files.php?docpath=/ITU-R/M.1457/M.1457-12/TDD |
| ETSI | ETSI TS 122 129 | 11.0.0 | Published | Oct 12 | http://www.etsi.org/deliver/etsi_ts/122100_122199/122129/11.00.00_60/ |
| TTC | TS-3GA-22.129(Rel11)v11.0.0 | 11.0.0 | Approved | Jun 13 | http://www.ttc.or.jp/j/document_list/free/3gpps2013/TS/TS-3GA-22.129(Rel11)v11.0.0.pdf |

5.3.2.13.38 TS 22.135

Multicall; Service description; Stage 1

This specification describes multicall scenarios and requirements for UMTS phase 1 release 1999. Multicall feature specifies functionality and interactions related to usage of several simultaneous bearers between a terminal and a network. Multicall features allows both circuit-switched call(s) and packet session(s) to exist simultaneously.

| SDO (2) | Document No. | Version | Status | Issued date | Location (1) |
|-------------------|---------------------|---------|-----------|-------------|---|
| Release 99 | | | | | |
| CCSA | CCSA-TSD-TDD-22.135 | 3.4.0 | Published | Nov 00 | http://www.ccsa.org.cn/english/tc/files.php?docpath=/ITU-R/M.1457/M.1457-12/TDD |
| ETSI | ETSI TS 122 135 | 3.4.0 | Published | Nov 00 | http://www.etsi.org/deliver/etsi_ts/122100_122199/122135/03.04.00_60/ |
| TTC | JP-3GA-22.135(R99) | 3.4.0 | Approved | May 01 | http://www.ttc.or.jp/j/document_list/pdf/j/STD/JP-3GA-22.135(R99)v3.pdf |
| Release 4 | | | | | |
| CCSA | CCSA-TSD-TDD-22.135 | 4.2.0 | Published | Dec 02 | http://www.ccsa.org.cn/english/tc/files.php?docpath=/ITU-R/M.1457/M.1457-12/TDD |
| ETSI | ETSI TS 122 135 | 4.2.0 | Published | Dec 02 | http://www.etsi.org/deliver/etsi_ts/122100_122199/122135/04.02.00_60/ |
| ETSI | ETSI TS 122 135 | 4.2.0 | Published | Dec 02 | http://www.etsi.org/deliver/etsi_ts/122100_122199/122135/04.02.00_60/ |

| | | | | | |
|-------------------|-----------------------------|--------|-----------|--------|---|
| TTC | TS-3GA-22.135(Rel4)v4.2.0 | 4.2.0 | Approved | Feb 03 | http://www.ttc.or.jp/j/document_list/free/TS/TS-3GA-22.135(Rel4)v4.2.0.pdf |
| Release 5 | | | | | |
| CCSA | CCSA-TSD-TDD-22.135 | 5.0.0 | Published | Jul 02 | http://www.ccsa.org.cn/english/tc/files.php?docpath=/ITU-R/M.1457/M.1457-12/TDD |
| ETSI | ETSI TS 122 135 | 5.0.0 | Published | Jul 02 | http://www.etsi.org/deliver/etsi_ts/122100_122199/122135/05.00.00_60/ |
| TTC | TS-3GA-22.135(Rel5)v5.0.0 | 5.0.0 | Approved | Aug 02 | http://www.ttc.or.jp/j/document_list/free/TS/TS-3GA-22.135(Rel5)v5.0.0.pdf |
| Release 6 | | | | | |
| CCSA | CCSA-TSD-TDD-22.135 | 6.0.0 | Published | Jan 05 | http://www.ccsa.org.cn/english/tc/files.php?docpath=/ITU-R/M.1457/M.1457-12/TDD |
| ETSI | ETSI TS 122 135 | 6.0.0 | Published | Jan 05 | http://www.etsi.org/deliver/etsi_ts/122100_122199/122135/06.00.00_60/ |
| TTC | TS-3GA-22.135(Rel6)v6.0.0 | 6.0.0 | Approved | Mar 05 | http://www.ttc.or.jp/j/document_list/free/TS/TS-3GA-22.135(Rel6)v6.0.0.pdf |
| Release 7 | | | | | |
| CCSA | CCSA-TSD-TDD-22.135 | 7.0.0 | Published | Jul 07 | http://www.ccsa.org.cn/english/tc/files.php?docpath=/ITU-R/M.1457/M.1457-12/TDD |
| ETSI | ETSI TS 122 135 | 7.0.0 | Published | Jul 07 | http://www.etsi.org/deliver/etsi_ts/122100_122199/122135/07.00.00_60/ |
| TTC | TS-3GA-22.135(Rel7)v7.0.0 | 7.0.0 | Approved | Mar 08 | http://www.ttc.or.jp/j/document_list/free/TS/TS-3GA-22.135(Rel7)v7.0.0.pdf |
| Release 8 | | | | | |
| CCSA | CCSA-TSD-TDD-22.135 | 8.0.0 | Published | Jan 09 | http://www.ccsa.org.cn/english/tc/files.php?docpath=/ITU-R/M.1457/M.1457-12/TDD |
| ETSI | ETSI TS 122 135 | 8.0.0 | Published | Jan 09 | http://www.etsi.org/deliver/etsi_ts/122100_122199/122135/08.00.00_60/ |
| TTC | TS-3GA-22.135(Rel8)v8.0.0 | 8.0.0 | Approved | Feb 09 | http://www.ttc.or.jp/j/document_list/free/3gpps2009/TS/TS-3GA-22.135(Rel8)v8.0.0.pdf |
| Release 9 | | | | | |
| CCSA | CCSA-TSD-TDD-22.135 | 9.0.0 | Published | Mar 10 | http://www.ccsa.org.cn/english/tc/files.php?docpath=/ITU-R/M.1457/M.1457-12/TDD |
| ETSI | ETSI TS 122 135 | 9.0.0 | Published | Jan 10 | http://www.etsi.org/deliver/etsi_ts/122100_122199/122135/09.00.00_60/ |
| TTC | TS-3GA-22.135(Rel9)v9.0.0 | 9.0.0 | Approved | Jul 10 | http://www.ttc.or.jp/j/document_list/free/3gpps2010/TS/TS-3GA-22.135(Rel9)v9.0.0.pdf |
| Release 10 | | | | | |
| CCSA | CCSA-TSD-TDD-22.135 | 10.0.0 | Published | Jun 12 | http://www.ccsa.org.cn/english/tc/files.php?docpath=/ITU-R/M.1457/M.1457-12/TDD |
| ETSI | ETSI TS 122 135 | 10.0.0 | Published | May 11 | http://www.etsi.org/deliver/etsi_ts/122100_122199/122135/10.00.00_60/ |
| TTC | TS-3GA-22.135(Rel10)v10.0.0 | 10.0.0 | Approved | Jun 11 | http://www.ttc.or.jp/j/document_list/free/3gpps2011/TS/TS-3GA-22.135(Rel10)v10.0.0.pdf |
| Release 11 | | | | | |
| CCSA | CCSA-TSD-TDD-22.135 | 11.0.0 | Published | Jun 14 | http://www.ccsa.org.cn/english/tc/files.php?docpath=/ITU-R/M.1457/M.1457-12/TDD |
| ETSI | ETSI TS 122 135 | 11.0.0 | Published | Oct 12 | http://www.etsi.org/deliver/etsi_ts/122100_122199/122135/11.00.00_60/ |
| TTC | TS-3GA-22.135(Rel11)v11.0.0 | 11.0.0 | Approved | Jun 13 | http://www.ttc.or.jp/j/document_list/free/3gpps2013/TS/TS-3GA-22.135(Rel11)v11.0.0.pdf |

5.3.2.13.39 TS 22.141

Presence Service; Stage 1

This specification defines the requirements for the support of the presence service. The presence service results in presence information of a user and information on a user's devices, services and services components being managed by the network.

| SDO (2) | Document No. | Version | Status | Issued date | Location (1) |
|------------------|---------------------|---------|-----------|-------------|---|
| Release 6 | | | | | |
| ARIB | ARIB STD-T63-22.141 | 6.5.0 | Approved | Jul 13 | http://www.arib.or.jp/english/html/overview/doc/STD-T63v10_00/2_T63/ARIB-STD-T63/Rel6/22/A22141-650.pdf |
| CCSA | CCSA-TSD-TDD-22.141 | 6.5.0 | Published | Jun 14 | http://www.ccsa.org.cn/english/tc/files.php?docpath=/ITU-R/M.1457/M.1457-12/TDD |
| ETSI | ETSI TS 122 141 | 6.5.0 | Published | Jan 06 | http://www.etsi.org/deliver/etsi_ts/122100_122199/122141/06.05.00_60/ |

Release 7

| | | | | | |
|-------------------|---------------------|--------|-----------|--------|---|
| ARIB | ARIB STD-T63-22.141 | 7.0.0 | Approved | Jul 13 | http://www.arib.or.jp/english/html/overview/doc/STD-T63v10_00/2_T63/ARIB-STD-T63/Rel7/22/A22141-700.pdf |
| CCSA | CCSA-TSD-TDD-22.141 | 7.0.0 | Published | Jun 14 | http://www.ccsa.org.cn/english/tc/files.php?docpath=/ITU-R/M.1457/M.1457-12/TDD |
| ETSI | ETSI TS 122 141 | 7.0.0 | Published | Jan 06 | http://www.etsi.org/deliver/etsi_ts/122100_122199/122141/07.00.00_60/ |
| Release 8 | | | | | |
| ARIB | ARIB STD-T63-22.141 | 8.0.0 | Approved | Jul 13 | http://www.arib.or.jp/english/html/overview/doc/STD-T63v10_00/2_T63/ARIB-STD-T63/Rel8/22/A22141-800.pdf |
| CCSA | CCSA-TSD-TDD-22.141 | 8.0.0 | Published | Jun 14 | http://www.ccsa.org.cn/english/tc/files.php?docpath=/ITU-R/M.1457/M.1457-12/TDD |
| ETSI | ETSI TS 122 141 | 8.0.0 | Published | Jan 09 | http://www.etsi.org/deliver/etsi_ts/122100_122199/122141/08.00.00_60/ |
| Release 9 | | | | | |
| ARIB | ARIB STD-T63-22.141 | 9.0.0 | Approved | Jul 13 | http://www.arib.or.jp/english/html/overview/doc/STD-T63v10_00/2_T63/ARIB-STD-T63/Rel9/22/A22141-900.pdf |
| CCSA | CCSA-TSD-TDD-22.141 | 9.0.0 | Published | Jun 14 | http://www.ccsa.org.cn/english/tc/files.php?docpath=/ITU-R/M.1457/M.1457-12/TDD |
| ETSI | ETSI TS 122 141 | 9.0.0 | Published | Jan 10 | http://www.etsi.org/deliver/etsi_ts/122100_122199/122141/09.00.00_60/ |
| Release 10 | | | | | |
| ARIB | ARIB STD-T63-22.141 | 10.0.0 | Approved | Jul 13 | http://www.arib.or.jp/english/html/overview/doc/STD-T63v10_00/2_T63/ARIB-STD-T63/Rel10/22/A22141-a00.pdf |
| CCSA | CCSA-TSD-TDD-22.141 | 10.0.0 | Published | Jun 14 | http://www.ccsa.org.cn/english/tc/files.php?docpath=/ITU-R/M.1457/M.1457-12/TDD |
| ETSI | ETSI TS 122 141 | 10.0.0 | Published | May 11 | http://www.etsi.org/deliver/etsi_ts/122100_122199/122141/10.00.00_60/ |
| Release 11 | | | | | |
| ARIB | ARIB STD-T63-22.141 | 11.0.0 | Approved | Jul 13 | http://www.arib.or.jp/english/html/overview/doc/STD-T63v10_00/2_T63/ARIB-STD-T63/Rel11/22/A22141-b00.pdf |
| CCSA | CCSA-TSD-TDD-22.141 | 11.0.0 | Published | Jun 14 | http://www.ccsa.org.cn/english/tc/files.php?docpath=/ITU-R/M.1457/M.1457-12/TDD |
| ETSI | ETSI TS 122 141 | 11.0.0 | Published | Oct 12 | http://www.etsi.org/deliver/etsi_ts/122100_122199/122141/11.00.00_60/ |

5.3.2.13.40 TS 22.146

Multimedia Broadcast/Multicast Service (MBMS); Stage 1

The document describes MBMS User Services that use the capabilities of MBMS. Application scenarios including charging, QoS aspects and related service requirements derived from them are described. These scenarios and service requirements can be used as guidance for the design of codecs and bearers.

| SDO (2) | Document No. | Version | Status | Issued date | Location (1) |
|------------------|---------------------|---------|-----------|-------------|---|
| Release 6 | | | | | |
| ARIB | ARIB STD-T63-22.146 | 6.8.0 | Approved | Jul 13 | http://www.arib.or.jp/english/html/overview/doc/STD-T63v10_00/2_T63/ARIB-STD-T63/Rel6/22/A22146-680.pdf |
| CCSA | CCSA-TSD-TDD-22.146 | 6.8.0 | Published | Jan 09 | http://www.ccsa.org.cn/english/tc/files.php?docpath=/ITU-R/M.1457/M.1457-12/TDD |
| ETSI | ETSI TS 122 146 | 6.8.0 | Published | Jan 09 | http://www.etsi.org/deliver/etsi_ts/122100_122199/122146/06.08.00_60/ |
| Release 7 | | | | | |
| ARIB | ARIB STD-T63-22.146 | 7.3.0 | Approved | Jul 13 | http://www.arib.or.jp/english/html/overview/doc/STD-T63v10_00/2_T63/ARIB-STD-T63/Rel7/22/A22146-730.pdf |
| CCSA | CCSA-TSD-TDD-22.146 | 7.3.0 | Published | Jan 09 | http://www.ccsa.org.cn/english/tc/files.php?docpath=/ITU-R/M.1457/M.1457-12/TDD |
| ETSI | ETSI TS 122 146 | 7.3.0 | Published | Jan 09 | http://www.etsi.org/deliver/etsi_ts/122100_122199/122146/07.03.00_60/ |
| Release 8 | | | | | |
| ARIB | ARIB STD-T63-22.146 | 8.4.0 | Approved | Jul 13 | http://www.arib.or.jp/english/html/overview/doc/STD-T63v10_00/2_T63/ARIB-STD-T63/Rel8/22/A22146-840.pdf |
| CCSA | CCSA-TSD-TDD-22.146 | 8.4.0 | Published | Jan 09 | http://www.ccsa.org.cn/english/tc/files.php?docpath=/ITU-R/M.1457/M.1457-12/TDD |
| ETSI | ETSI TS 122 146 | 8.4.0 | Published | Jan 09 | http://www.etsi.org/deliver/etsi_ts/122100_122199/122146/08.04.00_60/ |
| Release 9 | | | | | |
| ARIB | ARIB STD-T63-22.146 | 9.0.0 | Approved | Jul 13 | http://www.arib.or.jp/english/html/overview/doc/STD-T63v10_00/2_T63/ARIB-STD-T63/Rel9/22/A22146-900.pdf |
| CCSA | CCSA-TSD-TDD-22.146 | 9.0.0 | Published | Mar 10 | http://www.ccsa.org.cn/english/tc/files.php?docpath=/ITU-R/M.1457/M.1457-12/TDD |

| | | | | | |
|-------------------|---------------------|--------|-----------|--------|---|
| ETSI | ETSI TS 122 146 | 9.0.0 | Published | Jan 10 | http://www.etsi.org/deliver/etsi_ts/122100_122199/122146/09.00.00_60/ |
| Release 10 | | | | | |
| ARIB | ARIB STD-T63-22.146 | 10.1.0 | Approved | Jul 13 | http://www.arib.or.jp/english/html/overview/doc/STD-T63v10_00/2_T63/ARIB-STD-T63/Rel10/22/A22146-a10.pdf |
| CCSA | CCSA-TSD-TDD-22.146 | 10.1.0 | Published | Jun 12 | http://www.ccsa.org.cn/english/tc/files.php?docpath=/ITU-R/M.1457/M.1457-12/TDD |
| ETSI | ETSI TS 122 146 | 10.1.0 | Published | Jan 12 | http://www.etsi.org/deliver/etsi_ts/122100_122199/122146/10.01.00_60/ |
| Release 11 | | | | | |
| CCSA | CCSA-TSD-TDD-22.146 | 11.1.0 | Published | Jun 14 | http://www.ccsa.org.cn/english/tc/files.php?docpath=/ITU-R/M.1457/M.1457-12/TDD |
| ETSI | ETSI TS 122 146 | 11.1.0 | Published | May 13 | http://www.etsi.org/deliver/etsi_ts/122100_122199/122146/11.01.00_60/ |

5.3.2.13.41 TS 22.153

Multimedia priority service

The document specifies the service requirements for Multimedia Priority Service (MPS). Its scope is to specify those requirements of MPS necessary to provide an end-to-end service and to interwork with external networks where needed. Service interactions with external networks are considered within the scope of this document although these interactions may be specified in other standards.

| SDO (2) | Document No. | Version | Status | Issued date | Location (1) |
|-------------------|---------------------|---------|-----------|-------------|---|
| Release 8 | | | | | |
| ARIB | ARIB STD-T63-22.153 | 8.2.0 | Approved | Jul 13 | http://www.arib.or.jp/english/html/overview/doc/STD-T63v10_00/2_T63/ARIB-STD-T63/Rel8/22/A22153-820.pdf |
| CCSA | CCSA-TSD-TDD-22.153 | 8.2.0 | Published | Oct 08 | http://www.ccsa.org.cn/english/tc/files.php?docpath=/ITU-R/M.1457/M.1457-12/TDD |
| ETSI | ETSI TS 122 153 | 8.2.0 | Published | Oct 08 | http://www.etsi.org/deliver/etsi_ts/122100_122199/122153/08.02.00_60/ |
| Release 9 | | | | | |
| ARIB | ARIB STD-T63-22.153 | 9.2.0 | Approved | Jul 13 | http://www.arib.or.jp/english/html/overview/doc/STD-T63v10_00/2_T63/ARIB-STD-T63/Rel9/22/A22153-920.pdf |
| CCSA | CCSA-TSD-TDD-22.153 | 9.2.0 | Published | Mar 10 | http://www.ccsa.org.cn/english/tc/files.php?docpath=/ITU-R/M.1457/M.1457-12/TDD |
| ETSI | ETSI TS 122 153 | 9.2.0 | Published | Jan 10 | http://www.etsi.org/deliver/etsi_ts/122100_122199/122153/09.02.00_60/ |
| Release 10 | | | | | |
| ARIB | ARIB STD-T63-22.153 | 10.1.0 | Approved | Jul 13 | http://www.arib.or.jp/english/html/overview/doc/STD-T63v10_00/2_T63/ARIB-STD-T63/Rel10/22/A22153-a10.pdf |
| CCSA | CCSA-TSD-TDD-22.153 | 10.1.0 | Published | Jun 12 | http://www.ccsa.org.cn/english/tc/files.php?docpath=/ITU-R/M.1457/M.1457-12/TDD |
| ETSI | ETSI TS 122 153 | 10.1.0 | Published | Apr 11 | http://www.etsi.org/deliver/etsi_ts/122100_122199/122153/10.01.00_60/ |
| Release 11 | | | | | |
| ARIB | ARIB STD-T63-22.153 | 11.1.0 | Approved | Jul 13 | http://www.arib.or.jp/english/html/overview/doc/STD-T63v10_00/2_T63/ARIB-STD-T63/Rel11/22/A22153-b10.pdf |
| CCSA | CCSA-TSD-TDD-22.153 | 11.1.0 | Published | Jun 14 | http://www.ccsa.org.cn/english/tc/files.php?docpath=/ITU-R/M.1457/M.1457-12/TDD |
| ETSI | ETSI TS 122 153 | 11.1.0 | Published | Nov 12 | http://www.etsi.org/deliver/etsi_ts/122100_122199/122153/11.01.00_60/ |

5.3.2.13.42 TS 22.168

Earthquake and Tsunami Warning System (ETWS) requirements; Stage 1

The Document defines the stage one description of the Earthquake and Tsunami Warning System (ETWS) Requirements. Stage one is the set of requirements seen primarily from the user's and service provider's points of view. It includes information applicable to network operators, service providers, terminal and network manufacturers, in case of deployment of ETWS. ETWS deployment depends on operator decision or national regulations.

The TS contains the core requirements for the Earthquake and Tsunami Warning System, which are sufficient to provide a complete service. It also contains regional requirements for Earthquake and Tsunami Warning System.

| SDO (2) | Document No. | Version | Status | Issued date | Location (1) |
|------------------|---------------------|---------|-----------|-------------|---|
| Release 8 | | | | | |
| ARIB | ARIB STD-T63-22.168 | 8.3.0 | Approved | Jul 13 | http://www.arib.or.jp/english/html/overview/doc/STD-T63v10_00/2_T63/ARIB-STD-T63/Rel8/22/A22168-830.pdf |
| CCSA | CCSA-TSD-TDD-22.168 | 8.1.0 | Published | Jan 09 | http://www.ccsa.org.cn/english/tc/files.php?docpath=/ITU-R/M.1457/M.1457-12/TDD |
| CCSA | CCSA-TSD-TDD-22.168 | 8.1.0 | Published | Jun 12 | http://www.ccsa.org.cn/english/tc/files.php?docpath=/ITU-R/M.1457/M.1457-12/TDD |
| ETSI | ETSI TS 122 168 | 8.3.0 | Published | Jan 13 | http://www.etsi.org/deliver/etsi_ts/122100_122199/122168/08.03.00_60/ |

5.3.2.13.43 TS 22.173

IP Multimedia Core Network Subsystem (IMS) Multimedia Telephony Service and supplementary services; Stage 1

The document defines the IMS Multimedia Telephony service and the minimum set of capabilities required to secure multi-vendor and multi-

| SDO (2) | Document No. | Version | Status | Issued date | Location (1) |
|-------------------|-----------------------------|---------|-----------|-------------|---|
| Release 7 | | | | | |
| CCSA | CCSA-TSD-TDD-22.173 | 7.5.0 | Published | Jul 08 | http://www.ccsa.org.cn/english/tc/files.php?docpath=/ITU-R/M.1457/M.1457-12/TDD |
| ETSI | ETSI TS 122 173 | 7.5.0 | Published | Jul 08 | http://www.etsi.org/deliver/etsi_ts/122100_122199/122173/07.05.00_60/ |
| TTC | TS-3GA-22.173(Rel7)v7.5.0 | 7.5.0 | Approved | Feb 09 | http://www.ttc.or.jp/j/document_list/free/3gpps2009/TS/TS-3GA-22.173(Rel7)v7.5.0.pdf |
| Release 8 | | | | | |
| CCSA | CCSA-TSD-TDD-22.173 | 8.9.0 | Published | Jun 12 | http://www.ccsa.org.cn/english/tc/files.php?docpath=/ITU-R/M.1457/M.1457-12/TDD |
| ETSI | ETSI TS 122 173 | 8.9.0 | Published | Jan 12 | http://www.etsi.org/deliver/etsi_ts/122100_122199/122173/08.09.00_60/ |
| TTC | TS-3GA-22.173(Rel8)v8.9.0 | 8.9.0 | Approved | Feb 12 | http://www.ttc.or.jp/j/document_list/free/3gpps2012/TS/TS-3GA-22.173(Rel8)v8.9.0.pdf |
| Release 9 | | | | | |
| CCSA | CCSA-TSD-TDD-22.173 | 9.6.0 | Published | Jun 12 | http://www.ccsa.org.cn/english/tc/files.php?docpath=/ITU-R/M.1457/M.1457-12/TDD |
| ETSI | ETSI TS 122 173 | 9.6.0 | Published | Jan 12 | http://www.etsi.org/deliver/etsi_ts/122100_122199/122173/09.06.00_60/ |
| TTC | TS-3GA-22.173(Rel9)v9.6.0 | 9.6.0 | Approved | Feb 12 | http://www.ttc.or.jp/j/document_list/free/3gpps2012/TS/TS-3GA-22.173(Rel9)v9.6.0.pdf |
| Release 10 | | | | | |
| CCSA | CCSA-TSD-TDD-22.173 | 10.4.0 | Published | Jun 12 | http://www.ccsa.org.cn/english/tc/files.php?docpath=/ITU-R/M.1457/M.1457-12/TDD |
| ETSI | ETSI TS 122 173 | 10.5.0 | Published | Jul 12 | http://www.etsi.org/deliver/etsi_ts/122100_122199/122173/10.05.00_60/ |
| TTC | TS-3GA-22.173(Rel10)v10.5.0 | 10.5.0 | Approved | Sep 12 | http://www.ttc.or.jp/j/document_list/free/3gpps2012/TS/TS-3GA-22.173(Rel10)v10.4.0.pdf |
| Release 11 | | | | | |
| CCSA | CCSA-TSD-TDD-22.173 | 11.6.0 | Published | Jun 14 | http://www.ccsa.org.cn/english/tc/files.php?docpath=/ITU-R/M.1457/M.1457-12/TDD |
| ETSI | ETSI TS 122 173 | 11.4.0 | Published | Nov 12 | http://www.etsi.org/deliver/etsi_ts/122100_122199/122173/11.04.00_60/ |
| TTC | TS-3GA-22.173(Rel11)v11.4.0 | 11.4.0 | Approved | Jun 13 | http://www.ttc.or.jp/j/document_list/free/3gpps2013/TS/TS-3GA-22.173(Rel11)v11.4.0.pdf |

5.3.2.13.44 TS 22.182

Customized Alerting Tones (CAT) requirements; Stage 1

This document specifies the requirements and technical considerations for Customized Alerting Tone (CAT) service in both CS and PS domains, especially additional features for roaming and interoperability support.

| SDO (2) | Document No. | Version | Status | Issued date | Location (1) |
|-------------------|---------------------|---------|-----------|-------------|---|
| Release 8 | | | | | |
| ARIB | ARIB STD-T63-22.182 | 8.5.0 | Approved | Jul 13 | http://www.arib.or.jp/english/html/overview/doc/STD-T63v10_00/2_T63/ARIB-STD-T63/Rel8/22/A22182-850.pdf |
| CCSA | CCSA-TSD-TDD-22.182 | 8.5.0 | Published | Jun 12 | http://www.ccsa.org.cn/english/tc/files.php?docpath=/ITU-R/M.1457/M.1457-12/TDD |
| ETSI | ETSI TS 122 182 | 8.5.0 | Published | Jun 09 | http://www.etsi.org/deliver/etsi_ts/122100_122199/122182/08.05.00_60/ |
| Release 9 | | | | | |
| ARIB | ARIB STD-T63-22.182 | 9.2.0 | Approved | Jul 13 | http://www.arib.or.jp/english/html/overview/doc/STD-T63v10_00/2_T63/ARIB-STD-T63/Rel9/22/A22182-920.pdf |
| CCSA | CCSA-TSD-TDD-22.182 | 9.2.0 | Published | Jun 12 | http://www.ccsa.org.cn/english/tc/files.php?docpath=/ITU-R/M.1457/M.1457-12/TDD |
| ETSI | ETSI TS 122 182 | 9.2.0 | Published | Jan 10 | http://www.etsi.org/deliver/etsi_ts/122100_122199/122182/09.02.00_60/ |
| Release 10 | | | | | |
| ARIB | ARIB STD-T63-22.182 | 10.0.0 | Approved | Jul 13 | http://www.arib.or.jp/english/html/overview/doc/STD-T63v10_00/2_T63/ARIB-STD-T63/Rel10/22/A22182-a00.pdf |
| CCSA | CCSA-TSD-TDD-22.182 | 10.0.0 | Published | Jun 12 | http://www.ccsa.org.cn/english/tc/files.php?docpath=/ITU-R/M.1457/M.1457-12/TDD |
| ETSI | ETSI TS 122 182 | 10.0.0 | Published | May 11 | http://www.etsi.org/deliver/etsi_ts/122100_122199/122182/10.00.00_60/ |
| Release 11 | | | | | |
| ARIB | ARIB STD-T63-22.182 | 11.0.0 | Approved | Jul 13 | http://www.arib.or.jp/english/html/overview/doc/STD-T63v10_00/2_T63/ARIB-STD-T63/Rel11/22/A22182-b00.pdf |
| CCSA | CCSA-TSD-TDD-22.182 | 11.0.0 | Published | Jun 14 | http://www.ccsa.org.cn/english/tc/files.php?docpath=/ITU-R/M.1457/M.1457-12/TDD |
| ETSI | ETSI TS 122 182 | 11.0.0 | Published | Oct 12 | http://www.etsi.org/deliver/etsi_ts/122100_122199/122182/11.00.00_60/ |

5.3.2.13.45 TS 22.183

Customized Ringing Signal (CRS) requirements; Stage 1

The document specifies the requirements and technical considerations for Customized Ringing Signal (CRS) service in the PS and CS domains, especially additional features for roaming and interoperability support.

| SDO (2) | Document No. | Version | Status | Issued date | Location (1) |
|-------------------|-----------------------------|---------|-----------|-------------|---|
| Release 9 | | | | | |
| CCSA | CCSA-TSD-TDD-22.183 | 9.1.0 | Published | Jun 12 | http://www.ccsa.org.cn/english/tc/files.php?docpath=/ITU-R/M.1457/M.1457-12/TDD |
| ETSI | ETSI TS 122 183 | 9.1.0 | Published | Feb 10 | http://www.etsi.org/deliver/etsi_ts/122100_122199/122183/09.01.00_60/ |
| TTC | TS-3GA-22.183(Rel9)v9.1.0 | 9.1.0 | Approved | Jul 10 | http://www.ttc.or.jp/j/document_list/free/3gpps2010/TS/TS-3GA-22.183(Rel9)v9.1.0.pdf |
| Release 10 | | | | | |
| CCSA | CCSA-TSD-TDD-22.183 | 10.0.0 | Published | Jun 12 | http://www.ccsa.org.cn/english/tc/files.php?docpath=/ITU-R/M.1457/M.1457-12/TDD |
| ETSI | ETSI TS 122 183 | 10.0.0 | Published | May 11 | http://www.etsi.org/deliver/etsi_ts/122100_122199/122183/10.00.00_60/ |
| TTC | TS-3GA-22.183(Rel10)v10.0.0 | 10.0.0 | Approved | Jun 11 | http://www.ttc.or.jp/j/document_list/free/3gpps2011/TS/TS-3GA-22.183(Rel10)v10.0.0.pdf |
| Release 11 | | | | | |
| CCSA | CCSA-TSD-TDD-22.183 | 11.0.0 | Published | Jun 14 | http://www.ccsa.org.cn/english/tc/files.php?docpath=/ITU-R/M.1457/M.1457-12/TDD |
| ETSI | ETSI TS 122 183 | 11.0.0 | Published | Oct 12 | http://www.etsi.org/deliver/etsi_ts/122100_122199/122183/11.00.00_60/ |
| TTC | TS-3GA-22.183(Rel11)v11.0.0 | 11.0.0 | Approved | Jun 13 | http://www.ttc.or.jp/j/document_list/free/3gpps2013/TS/TS-3GA-22.183(Rel11)v11.0.0.pdf |

5.3.2.13.46 TS 22.220

Service requirements for Home Node B (HNB) and Home eNode B (HeNB)

This specification defines the service requirements for the basic functionalities for the support of Home NodeB (HNB) and Home eNodeB (HeNB) – jointly referred to as H(e)NB – and the further functionalities that will enable the mobile operators to provide more advanced services as well as improving the user experience.

| SDO (2) | Document No. | Version | Status | Issued date | Location (1) |
|-------------------|---------------------|---------|-----------|-------------|---|
| Release 9 | | | | | |
| ARIB | ARIB STD-T63-22.220 | 9.10.0 | Approved | Jul 13 | http://www.arib.or.jp/english/html/overview/doc/STD-T63v10_00/2_T63/ARIB-STD-T63/Rel9/22/A22220-9a0.pdf |
| CCSA | CCSA-TSD-TDD-22.220 | 9.8.0 | Published | Jun 12 | http://www.ccsa.org.cn/english/tc/files.php?docpath=/ITU-R/M.1457/M.1457-12/TDD |
| ETSI | ETSI TS 122 220 | 9.10.0 | Published | Sep 12 | http://www.etsi.org/deliver/etsi_ts/122200_122299/122220/09.10.00_60/ |
| Release 10 | | | | | |
| ARIB | ARIB STD-T63-22.220 | 10.10.0 | Approved | Jul 13 | http://www.arib.or.jp/english/html/overview/doc/STD-T63v10_00/2_T63/ARIB-STD-T63/Rel10/22/A22220-aa0.pdf |
| CCSA | CCSA-TSD-TDD-22.220 | 10.8.0 | Published | Jun 12 | http://www.ccsa.org.cn/english/tc/files.php?docpath=/ITU-R/M.1457/M.1457-12/TDD |
| ETSI | ETSI TS 122 220 | 10.10.0 | Published | Sep 12 | http://www.etsi.org/deliver/etsi_ts/122200_122299/122220/10.10.00_60/ |
| Release 11 | | | | | |
| ARIB | ARIB STD-T63-22.220 | 11.6.0 | Approved | Jul 13 | http://www.arib.or.jp/english/html/overview/doc/STD-T63v10_00/2_T63/ARIB-STD-T63/Rel11/22/A22220-b60.pdf |
| CCSA | CCSA-TSD-TDD-22.220 | 11.6.0 | Published | Jun 14 | http://www.ccsa.org.cn/english/tc/files.php?docpath=/ITU-R/M.1457/M.1457-12/TDD |
| ETSI | ETSI TS 122 220 | 11.6.0 | Published | Sep 12 | http://www.etsi.org/deliver/etsi_ts/122200_122299/122220/11.06.00_60/ |

5.3.2.13.47 TS 22.226

Global Text Telephony (GTT); Stage 1

This Technical Specification defines the stage one description of the Global Text Telephone Feature, GTT.

| SDO (2) | Document No. | Version | Status | Issued date | Location (1) |
|------------------|---------------------------|---------|-----------|-------------|---|
| Release 5 | | | | | |
| CCSA | CCSA-TSD-TDD-22.226 | 5.2.0 | Published | Jun 14 | http://www.ccsa.org.cn/english/tc/files.php?docpath=/ITU-R/M.1457/M.1457-12/TDD |
| ETSI | ETSI TS 122 226 | 5.2.0 | Published | Apr 02 | http://www.etsi.org/deliver/etsi_ts/122200_122299/122226/05.02.00_60/ |
| TTC | TS-3GA-22.226(Rel5)v5.2.0 | 5.2.0 | Approved | May 02 | http://www.ttc.or.jp/j/document_list/free/TS/TS-3GA-22.226(Rel5)v5.2.0.pdf |
| Release 6 | | | | | |
| CCSA | CCSA-TSD-TDD-22.226 | 6.0.0 | Published | Jun 14 | http://www.ccsa.org.cn/english/tc/files.php?docpath=/ITU-R/M.1457/M.1457-12/TDD |
| ETSI | ETSI TS 122 226 | 6.0.0 | Published | Jan 05 | http://www.etsi.org/deliver/etsi_ts/122200_122299/122226/06.00.00_60/ |
| TTC | TS-3GA-22.226(Rel6)v6.0.0 | 6.0.0 | Approved | Mar 05 | http://www.ttc.or.jp/j/document_list/free/TS/TS-3GA-22.226(Rel6)v6.0.0.pdf |
| Release 7 | | | | | |
| CCSA | CCSA-TSD-TDD-22.226 | 7.0.0 | Published | Jun 14 | http://www.ccsa.org.cn/english/tc/files.php?docpath=/ITU-R/M.1457/M.1457-12/TDD |
| ETSI | ETSI TS 122 226 | 7.0.0 | Published | Jul 07 | http://www.etsi.org/deliver/etsi_ts/122200_122299/122226/07.00.00_60/ |
| TTC | TS-3GA-22.226(Rel7)v7.0.0 | 7.0.0 | Approved | Mar 08 | http://www.ttc.or.jp/j/document_list/free/TS/TS-3GA-22.226(Rel7)v7.0.0.pdf |
| Release 8 | | | | | |
| CCSA | CCSA-TSD-TDD-22.226 | 8.0.0 | Published | Jun 14 | http://www.ccsa.org.cn/english/tc/files.php?docpath=/ITU-R/M.1457/M.1457-12/TDD |
| ETSI | ETSI TS 122 226 | 8.0.0 | Published | Jan 09 | http://www.etsi.org/deliver/etsi_ts/122200_122299/122226/08.00.00_60/ |
| TTC | TS-3GA-22.226(Rel8)v8.0.0 | 8.0.0 | Approved | Feb 09 | http://www.ttc.or.jp/j/document_list/free/3gpps2009/TS/TS-3GA-22.226(Rel8)v8.0.0.pdf |
| Release 9 | | | | | |

| | | | | | |
|-------------------|-----------------------------|--------|-----------|--------|---|
| CCSA | CCSA-TSD-TDD-22.226 | 9.0.0 | Published | Jun 14 | http://www.ccsa.org.cn/english/tc/files.php?docpath=/ITU-R/M.1457/M.1457-12/TDD |
| ETSI | ETSI TS 122 226 | 9.0.0 | Published | Jan 10 | http://www.etsi.org/deliver/etsi_ts/122200_122299/122226/09.00.00_60/ |
| TTC | TS-3GA-22.226(Rel9)v9.0.0 | 9.0.0 | Approved | Jul 10 | http://www.ttc.or.jp/j/document_list/free/3gpps2010/TS/TS-3GA-22.226(Rel9)v9.0.0.pdf |
| Release 10 | | | | | |
| CCSA | CCSA-TSD-TDD-22.226 | 10.0.0 | Published | Jun 14 | http://www.ccsa.org.cn/english/tc/files.php?docpath=/ITU-R/M.1457/M.1457-12/TDD |
| ETSI | ETSI TS 122 226 | 10.0.0 | Published | May 11 | http://www.etsi.org/deliver/etsi_ts/122200_122299/122226/10.00.00_60/ |
| TTC | TS-3GA-22.226(Rel10)v10.0.0 | 10.0.0 | Approved | Jun 11 | http://www.ttc.or.jp/j/document_list/free/3gpps2011/TS/TS-3GA-22.226(Rel10)v10.0.0.pdf |
| Release 11 | | | | | |
| CCSA | CCSA-TSD-TDD-22.226 | 11.0.0 | Published | Jun 14 | http://www.ccsa.org.cn/english/tc/files.php?docpath=/ITU-R/M.1457/M.1457-12/TDD |
| ETSI | ETSI TS 122 226 | 11.0.0 | Published | Oct 12 | http://www.etsi.org/deliver/etsi_ts/122200_122299/122226/11.00.00_60/ |
| TTC | TS-3GA-22.226(Rel11)v11.0.0 | 11.0.0 | Approved | Jun 13 | http://www.ttc.or.jp/j/document_list/free/3gpps2013/TS/TS-3GA-22.226(Rel11)v11.0.0.pdf |

5.3.2.13.48 TS 22.228

Service requirements for the Internet Protocol (IP) multimedia core network subsystem (IMS); Stage 1

This specification describes all IP Multimedia services offered by UMTS Systems and second generation systems.

| SDO (2) | Document No. | Version | Status | Issued date | Location (1) |
|------------------|----------------------------|---------|-----------|-------------|---|
| Release 5 | | | | | |
| ARIB | ARIB STD-T63-22.228 | 5.7.0 | Approved | Jul 13 | http://www.arib.or.jp/english/html/overview/doc/STD-T63v10_00/2_T63/ARIB-STD-T63/Rel5/22/A22228-570.pdf |
| CCSA | CCSA-TSD-TDD-22.228 | 5.7.0 | Published | Apr 06 | http://www.ccsa.org.cn/english/tc/files.php?docpath=/ITU-R/M.1457/M.1457-12/TDD |
| ETSI | ETSI TS 122 228 | 5.7.0 | Published | Apr 06 | http://www.etsi.org/deliver/etsi_ts/122200_122299/122228/05.07.00_60/ |
| TTC | TS-3GA-22.228(Rel5)v5.7.0 | 5.7.0 | Approved | Mar 07 | http://www.ttc.or.jp/j/document_list/free/TS/TS-3GA-22.228(Rel5)v5.7.0.pdf |
| Release 6 | | | | | |
| ARIB | ARIB STD-T63-22.228 | 6.11.0 | Approved | Jul 13 | http://www.arib.or.jp/english/html/overview/doc/STD-T63v10_00/2_T63/ARIB-STD-T63/Rel6/22/A22228-6b0.pdf |
| CCSA | CCSA-TSD-TDD-22.228 | 6.11.0 | Published | Apr 06 | http://www.ccsa.org.cn/english/tc/files.php?docpath=/ITU-R/M.1457/M.1457-12/TDD |
| ETSI | ETSI TS 122 228 | 6.11.0 | Published | Apr 06 | http://www.etsi.org/deliver/etsi_ts/122200_122299/122228/06.11.00_60/ |
| TTC | TS-3GA-22.228(Rel6)v6.11.0 | 6.11.0 | Approved | Mar 07 | http://www.ttc.or.jp/j/document_list/free/TS/TS-3GA-22.228(Rel6)v6.11.0.pdf |
| Release 7 | | | | | |
| ARIB | ARIB STD-T63-22.228 | 7.6.0 | Approved | Jul 13 | http://www.arib.or.jp/english/html/overview/doc/STD-T63v10_00/2_T63/ARIB-STD-T63/Rel7/22/A22228-760.pdf |
| CCSA | CCSA-TSD-TDD-22.228 | 7.6.0 | Published | Oct 07 | http://www.ccsa.org.cn/english/tc/files.php?docpath=/ITU-R/M.1457/M.1457-12/TDD |
| ETSI | ETSI TS 122 228 | 7.6.0 | Published | Oct 07 | http://www.etsi.org/deliver/etsi_ts/122200_122299/122228/07.06.00_60/ |
| TTC | TS-3GA-22.228(Rel7)v7.6.0 | 7.6.0 | Approved | Feb 09 | http://www.ttc.or.jp/j/document_list/free/3gpps2009/TS/TS-3GA-22.228(Rel7)v7.6.0.pdf |
| Release 8 | | | | | |
| ARIB | ARIB STD-T63-22.228 | 8.7.0 | Approved | Jul 13 | http://www.arib.or.jp/english/html/overview/doc/STD-T63v10_00/2_T63/ARIB-STD-T63/Rel8/22/A22228-870.pdf |
| CCSA | CCSA-TSD-TDD-22.228 | 8.6.0 | Published | Jan 09 | http://www.ccsa.org.cn/english/tc/files.php?docpath=/ITU-R/M.1457/M.1457-12/TDD |
| ETSI | ETSI TS 122 228 | 8.7.0 | Published | Jan 13 | http://www.etsi.org/deliver/etsi_ts/122200_122299/122228/08.07.00_60/ |
| TTC | TS-3GA-22.228(Rel8)v8.7.0 | 8.7.0 | Approved | Jun 13 | http://www.ttc.or.jp/j/document_list/free/3gpps2013/TS/TS-3GA-22.228(Rel8)v8.7.0.pdf |
| Release 9 | | | | | |
| ARIB | ARIB STD-T63-22.228 | 9.4.0 | Approved | Jul 13 | http://www.arib.or.jp/english/html/overview/doc/STD-T63v10_00/2_T63/ARIB-STD-T63/Rel9/22/A22228-940.pdf |
| CCSA | CCSA-TSD-TDD-22.228 | 9.3.0 | Published | Jun 12 | http://www.ccsa.org.cn/english/tc/files.php?docpath=/ITU-R/M.1457/M.1457-12/TDD |
| ETSI | ETSI TS 122 228 | 9.4.0 | Published | Jan 13 | http://www.etsi.org/deliver/etsi_ts/122200_122299/122228/09.04.00_60/ |
| TTC | TS-3GA-22.228(Rel9)v9.4.0 | 9.4.0 | Approved | Jun 13 | http://www.ttc.or.jp/j/document_list/free/3gpps2013/TS/TS-3GA-22.228(Rel9)v9.4.0.pdf |

Release 10

| | | | | | |
|------|-----------------------------|--------|-----------|--------|---|
| ARIB | ARIB STD-T63-22.228 | 10.5.0 | Approved | Jul 13 | http://www.arib.or.jp/english/html/overview/doc/STD-T63v10_00/2_T63/ARIB-STD-T63/Rel10/22/A22228-a50.pdf |
| CCSA | CCSA-TSD-TDD-22.228 | 10.4.1 | Published | Jun 12 | http://www.ccsa.org.cn/english/tc/files.php?docpath=/ITU-R/M.1457/M.1457-12/TDD |
| ETSI | ETSI TS 122 228 | 10.5.0 | Published | Jan 13 | http://www.etsi.org/deliver/etsi_ts/122200_122299/122228/10.05.00_60/ |
| TTC | TS-3GA-22.228(Rel10)v10.5.0 | 10.5.0 | Approved | Jun 13 | http://www.ttc.or.jp/j/document_list/free/3gpps2013/TS/TS-3GA-22.228(Rel10)v10.5.0.pdf |

Release 11

| | | | | | |
|------|-----------------------------|--------|-----------|--------|---|
| ARIB | ARIB STD-T63-22.228 | 11.6.0 | Approved | Jul 13 | http://www.arib.or.jp/english/html/overview/doc/STD-T63v10_00/2_T63/ARIB-STD-T63/Rel11/22/A22228-b60.pdf |
| CCSA | CCSA-TSD-TDD-22.228 | 11.0.0 | Published | Jun 14 | http://www.ccsa.org.cn/english/tc/files.php?docpath=/ITU-R/M.1457/M.1457-12/TDD |
| ETSI | ETSI TS 122 228 | 11.6.0 | Published | Jan 13 | http://www.etsi.org/deliver/etsi_ts/122200_122299/122228/11.06.00_60/ |
| TTC | TS-3GA-22.228(Rel11)v11.6.0 | 11.6.0 | Approved | Jun 13 | http://www.ttc.or.jp/j/document_list/free/3gpps2013/TS/TS-3GA-22.228(Rel11)v11.6.0.pdf |

5.3.2.13.49 TS 22.234**Requirements on 3GPP system to Wireless Local Area Network (WLAN) interworking**

The document specifies the functional requirements placed on the 3GPP system for interworking WLAN with the 3GPP system. Guidance is given for WLAN operators intending to provide the interworked WLAN capability.

| SDO (2) | Document No. | Version | Status | Issued date | Location (1) |
|-------------------|-----------------------------|---------|-----------|-------------|---|
| Release 6 | | | | | |
| CCSA | CCSA-TSD-TDD-22.234 | 6.4.0 | Published | Jul 06 | http://www.ccsa.org.cn/english/tc/files.php?docpath=/ITU-R/M.1457/M.1457-12/TDD |
| ETSI | ETSI TS 122 234 | 6.4.0 | Published | Jul 06 | http://www.etsi.org/deliver/etsi_ts/122200_122299/122234/06.04.00_60/ |
| TTC | TS-3GA-22.234(Rel6)v6.4.0 | 6.4.0 | Approved | Mar 08 | http://www.ttc.or.jp/j/document_list/free/TS/TS-3GA-22.234(Rel6)v6.4.0.pdf |
| Release 7 | | | | | |
| CCSA | CCSA-TSD-TDD-22.234 | 7.6.0 | Published | Oct 07 | http://www.ccsa.org.cn/english/tc/files.php?docpath=/ITU-R/M.1457/M.1457-12/TDD |
| ETSI | ETSI TS 122 234 | 7.6.0 | Published | Oct 07 | http://www.etsi.org/deliver/etsi_ts/122200_122299/122234/07.06.00_60/ |
| TTC | TS-3GA-22.234(Rel7)v7.6.0 | 7.6.0 | Approved | Mar 08 | http://www.ttc.or.jp/j/document_list/free/TS/TS-3GA-22.234(Rel7)v7.6.0.pdf |
| Release 8 | | | | | |
| CCSA | CCSA-TSD-TDD-22.234 | 8.1.1 | Published | Mar 10 | http://www.ccsa.org.cn/english/tc/files.php?docpath=/ITU-R/M.1457/M.1457-12/TDD |
| ETSI | ETSI TS 122 234 | 8.1.1 | Published | Jan 10 | http://www.etsi.org/deliver/etsi_ts/122200_122299/122234/08.01.01_60/ |
| TTC | TS-3GA-22.234(Rel8)v8.1.0 | 8.1.0 | Approved | Feb 09 | http://www.ttc.or.jp/j/document_list/free/3gpps2009/TS/TS-3GA-22.234(Rel8)v8.1.0.pdf |
| Release 9 | | | | | |
| CCSA | CCSA-TSD-TDD-22.234 | 9.0.0 | Published | Mar 10 | http://www.ccsa.org.cn/english/tc/files.php?docpath=/ITU-R/M.1457/M.1457-12/TDD |
| ETSI | ETSI TS 122 234 | 9.0.0 | Published | Jan 10 | http://www.etsi.org/deliver/etsi_ts/122200_122299/122234/09.00.00_60/ |
| TTC | TS-3GA-22.234(Rel9)v9.0.0 | 9.0.0 | Approved | Jul 10 | http://www.ttc.or.jp/j/document_list/free/3gpps2010/TS/TS-3GA-22.234(Rel9)v9.0.0.pdf |
| Release 10 | | | | | |
| CCSA | CCSA-TSD-TDD-22.234 | 10.0.0 | Published | Jun 12 | http://www.ccsa.org.cn/english/tc/files.php?docpath=/ITU-R/M.1457/M.1457-12/TDD |
| ETSI | ETSI TS 122 234 | 10.0.0 | Published | Apr 11 | http://www.etsi.org/deliver/etsi_ts/122200_122299/122234/10.00.00_60/ |
| TTC | TS-3GA-22.234(Rel10)v10.0.0 | 10.0.0 | Approved | Jun 11 | http://www.ttc.or.jp/j/document_list/free/3gpps2011/TS/TS-3GA-22.234(Rel10)v10.0.0.pdf |
| Release 11 | | | | | |
| CCSA | CCSA-TSD-TDD-22.234 | 11.0.0 | Published | Jun 14 | http://www.ccsa.org.cn/english/tc/files.php?docpath=/ITU-R/M.1457/M.1457-12/TDD |
| ETSI | ETSI TS 122 234 | 11.0.0 | Published | Oct 12 | http://www.etsi.org/deliver/etsi_ts/122200_122299/122234/11.00.00_60/ |
| TTC | TS-3GA-22.234(Rel11)v11.0.0 | 11.0.0 | Approved | Jun 13 | http://www.ttc.or.jp/j/document_list/free/3gpps2013/TS/TS-3GA-22.234(Rel11)v11.0.0.pdf |

5.3.2.13.50 TS 22.246

Multimedia Broadcast/Multicast Service (MBMS) user services; Stage 1

This document describes MBMS User Services that use the capabilities of MBMS. Application scenarios including charging, QoS aspects and related service requirements derived from them are described. These scenarios and service requirements can be used as guidance for the design of codecs and bearers.

| SDO (2) | Document No. | Version | Status | Issued date | Location (1) |
|-------------------|---------------------|---------|-----------|-------------|---|
| Release 6 | | | | | |
| ARIB | ARIB STD-T63-22.246 | 6.3.0 | Approved | Jul 13 | http://www.arib.or.jp/english/html/overview/doc/STD-T63v10_00/2_T63/ARIB-STD-T63/Rel6/22/A22246-630.pdf |
| CCSA | CCSA-TSD-TDD-22.246 | 6.3.0 | Published | Jun 12 | http://www.ccsa.org.cn/english/tc/files.php?docpath=/ITU-R/M.1457/M.1457-12/TDD |
| ETSI | ETSI TS 122 246 | 6.3.0 | Published | May 06 | http://www.etsi.org/deliver/etsi_ts/122200_122299/122246/06.03.00_60/ |
| Release 7 | | | | | |
| ARIB | ARIB STD-T63-22.246 | 7.4.0 | Approved | Jul 13 | http://www.arib.or.jp/english/html/overview/doc/STD-T63v10_00/2_T63/ARIB-STD-T63/Rel7/22/A22246-740.pdf |
| CCSA | CCSA-TSD-TDD-22.246 | 7.4.0 | Published | Jun 12 | http://www.ccsa.org.cn/english/tc/files.php?docpath=/ITU-R/M.1457/M.1457-12/TDD |
| ETSI | ETSI TS 122 246 | 7.4.0 | Published | Jan 09 | http://www.etsi.org/deliver/etsi_ts/122200_122299/122246/07.04.00_60/ |
| Release 8 | | | | | |
| ARIB | ARIB STD-T63-22.246 | 8.5.0 | Approved | Jul 13 | http://www.arib.or.jp/english/html/overview/doc/STD-T63v10_00/2_T63/ARIB-STD-T63/Rel8/22/A22246-850.pdf |
| CCSA | CCSA-TSD-TDD-22.246 | 8.5.0 | Published | Jun 12 | http://www.ccsa.org.cn/english/tc/files.php?docpath=/ITU-R/M.1457/M.1457-12/TDD |
| ETSI | ETSI TS 122 246 | 8.5.0 | Published | Jan 09 | http://www.etsi.org/deliver/etsi_ts/122200_122299/122246/08.05.00_60/ |
| Release 9 | | | | | |
| ARIB | ARIB STD-T63-22.246 | 9.0.0 | Approved | Jul 13 | http://www.arib.or.jp/english/html/overview/doc/STD-T63v10_00/2_T63/ARIB-STD-T63/Rel9/22/A22246-900.pdf |
| CCSA | CCSA-TSD-TDD-22.246 | 9.0.0 | Published | Jun 12 | http://www.ccsa.org.cn/english/tc/files.php?docpath=/ITU-R/M.1457/M.1457-12/TDD |
| ETSI | ETSI TS 122 246 | 9.0.0 | Published | Jan 10 | http://www.etsi.org/deliver/etsi_ts/122200_122299/122246/09.00.00_60/ |
| Release 10 | | | | | |
| ARIB | ARIB STD-T63-22.246 | 10.0.0 | Approved | Jul 13 | http://www.arib.or.jp/english/html/overview/doc/STD-T63v10_00/2_T63/ARIB-STD-T63/Rel10/22/A22246-a00.pdf |
| CCSA | CCSA-TSD-TDD-22.246 | 10.0.0 | Published | Jun 12 | http://www.ccsa.org.cn/english/tc/files.php?docpath=/ITU-R/M.1457/M.1457-12/TDD |
| ETSI | ETSI TS 122 246 | 10.0.0 | Published | May 11 | http://www.etsi.org/deliver/etsi_ts/122200_122299/122246/10.00.00_60/ |
| Release 11 | | | | | |
| ARIB | ARIB STD-T63-22.246 | 11.0.0 | Approved | Jul 13 | http://www.arib.or.jp/english/html/overview/doc/STD-T63v10_00/2_T63/ARIB-STD-T63/Rel11/22/A22246-b00.pdf |
| CCSA | CCSA-TSD-TDD-22.246 | 11.0.0 | Published | Jun 14 | http://www.ccsa.org.cn/english/tc/files.php?docpath=/ITU-R/M.1457/M.1457-12/TDD |
| ETSI | ETSI TS 122 246 | 11.0.0 | Published | Oct 12 | http://www.etsi.org/deliver/etsi_ts/122200_122299/122246/11.00.00_60/ |

5.3.2.13.51 TS 22.268

Public Warning System (PWS) requirements

This document covers the core requirements for the PWS that are sufficient to provide a complete service. This TS also covers subsystem additional requirements for the Earthquake and Tsunami Warning System (ETWS) and the Commercial Mobile Alert System (CMAS).

| SDO (2) | Document No. | Version | Status | Issued date | Location (1) |
|---------|--------------|---------|--------|-------------|--------------|
|---------|--------------|---------|--------|-------------|--------------|

Release 9

| | | | | | |
|------|---------------------|-------|-----------|--------|---|
| ARIB | ARIB STD-T63-22.268 | 9.5.0 | Approved | Jul 13 | http://www.arib.or.jp/english/html/overview/doc/STD-T63v10_00/2_T63/ARIB-STD-T63/Rel9/22/A22268-950.pdf |
| CCSA | CCSA-TSD-TDD-22.268 | 9.3.0 | Published | Jun 12 | http://www.ccsa.org.cn/english/tc/files.php?docpath=/ITU-R/M.1457/M.1457-12/TDD |
| ETSI | ETSI TS 122 268 | 9.5.0 | Published | Jan 13 | http://www.etsi.org/deliver/etsi_ts/122200_122299/122268/09.05.00_60/ |

Release 10

| | | | | | |
|------|---------------------|--------|-----------|--------|---|
| ARIB | ARIB STD-T63-22.268 | 10.4.0 | Approved | Jul 13 | http://www.arib.or.jp/english/html/overview/doc/STD-T63v10_00/2_T63/ARIB-STD-T63/Rel10/22/A22268-a40.pdf |
| CCSA | CCSA-TSD-TDD-22.268 | 10.2.0 | Published | Jun 12 | http://www.ccsa.org.cn/english/tc/files.php?docpath=/ITU-R/M.1457/M.1457-12/TDD |
| ETSI | ETSI TS 122 268 | 10.4.0 | Published | Jan 13 | http://www.etsi.org/deliver/etsi_ts/122200_122299/122268/10.04.00_60/ |

Release 11

| | | | | | |
|------|---------------------|--------|-----------|--------|---|
| ARIB | ARIB STD-T63-22.268 | 11.5.0 | Approved | Jul 13 | http://www.arib.or.jp/english/html/overview/doc/STD-T63v10_00/2_T63/ARIB-STD-T63/Rel11/22/A22268-b50.pdf |
| CCSA | CCSA-TSD-TDD-22.268 | 11.5.0 | Published | Jun 14 | http://www.ccsa.org.cn/english/tc/files.php?docpath=/ITU-R/M.1457/M.1457-12/TDD |
| ETSI | ETSI TS 122 268 | 11.5.0 | Published | Jan 13 | http://www.etsi.org/deliver/etsi_ts/122200_122299/122268/11.05.00_60/ |

5.3.2.13.52 TS 22.278**Service requirements for Machine-Type Communications (MTC); Stage 1**

This document specifies the service requirements for Network Improvements for Machine Type Communications. In particular it will:

- identify and specify general requirements for machine type communications;
- identify service aspects where network improvements (compared to the current human-to-human oriented services) are needed to cater for the specific nature of machine-type communications;
- specify machine type communication requirements for these service aspects where network improvements are needed for machine type communication.

| SDO (2) | Document No. | Version | Status | Issued date | Location (1) |
|-------------------|---------------------|---------|-----------|-------------|---|
| Release 8 | | | | | |
| ARIB | ARIB STD-T63-22.278 | 8.10.0 | Approved | Jul 13 | http://www.arib.or.jp/english/html/overview/doc/STD-T63v10_00/2_T63/ARIB-STD-T63/Rel8/22/A22278-8a0.pdf |
| CCSA | CCSA-TSD-TDD-22.278 | 8.10.0 | Published | Mar 10 | http://www.ccsa.org.cn/english/tc/files.php?docpath=/ITU-R/M.1457/M.1457-12/TDD |
| ETSI | ETSI TS 122 278 | 8.10.0 | Published | Jan 10 | http://www.etsi.org/deliver/etsi_ts/122200_122299/122278/08.10.00_60/ |
| Release 9 | | | | | |
| ARIB | ARIB STD-T63-22.278 | 9.6.0 | Approved | Jul 13 | http://www.arib.or.jp/english/html/overview/doc/STD-T63v10_00/2_T63/ARIB-STD-T63/Rel9/22/A22278-960.pdf |
| CCSA | CCSA-TSD-TDD-22.278 | 9.6.0 | Published | Jun 12 | http://www.ccsa.org.cn/english/tc/files.php?docpath=/ITU-R/M.1457/M.1457-12/TDD |
| ETSI | ETSI TS 122 278 | 9.6.0 | Published | Oct 10 | http://www.etsi.org/deliver/etsi_ts/122200_122299/122278/09.06.00_60/ |
| Release 10 | | | | | |
| ARIB | ARIB STD-T63-22.278 | 10.2.0 | Approved | Jul 13 | http://www.arib.or.jp/english/html/overview/doc/STD-T63v10_00/2_T63/ARIB-STD-T63/Rel10/22/A22278-a20.pdf |
| CCSA | CCSA-TSD-TDD-22.278 | 10.2.0 | Published | Jun 12 | http://www.ccsa.org.cn/english/tc/files.php?docpath=/ITU-R/M.1457/M.1457-12/TDD |
| ETSI | ETSI TS 122 278 | 10.2.0 | Published | Apr 11 | http://www.etsi.org/deliver/etsi_ts/122200_122299/122278/10.02.00_60/ |
| Release 11 | | | | | |
| ARIB | ARIB STD-T63-22.278 | 11.6.0 | Approved | Jul 13 | http://www.arib.or.jp/english/html/overview/doc/STD-T63v10_00/2_T63/ARIB-STD-T63/Rel11/22/A22278-b60.pdf |
| CCSA | CCSA-TSD-TDD-22.278 | 11.6.0 | Published | Jun 14 | http://www.ccsa.org.cn/english/tc/files.php?docpath=/ITU-R/M.1457/M.1457-12/TDD |
| ETSI | ETSI TS 122 278 | 11.6.0 | Published | Sep 12 | http://www.etsi.org/deliver/etsi_ts/122200_122299/122278/11.06.00_60/ |

5.3.2.13.53 TS 22.279**Combined Circuit Switched (CS) and IP Multimedia Subsystem (IMS) sessions; Stage 1**

This document specifies service requirements for Combining CS and IMS services using a CS speech or CS multimedia call in association with an IMS session.

| SDO (2) | Document No. | Version | Status | Issued date | Location (1) |
|-------------------|-----------------------------|---------|-----------|-------------|---|
| Release 7 | | | | | |
| CCSA | CCSA-TSD-TDD-22.279 | 7.1.0 | Published | Jun 14 | http://www.ccsa.org.cn/english/tc/files.php?docpath=/ITU-R/M.1457/M.1457-12/TDD |
| ETSI | ETSI TS 122 279 | 7.1.0 | Published | Jan 06 | http://www.etsi.org/deliver/etsi_ts/122200_122299/122279/07.01.00_60/ |
| TTC | TS-3GA-22.279(Rel7)v7.1.0 | 7.1.0 | Approved | Mar 08 | http://www.ttc.or.jp/j/document_list/free/TS/TS-3GA-22.279(Rel7)v7.1.0.pdf |
| Release 8 | | | | | |
| CCSA | CCSA-TSD-TDD-22.279 | 8.0.0 | Published | Jun 14 | http://www.ccsa.org.cn/english/tc/files.php?docpath=/ITU-R/M.1457/M.1457-12/TDD |
| ETSI | ETSI TS 122 279 | 8.0.0 | Published | Jan 09 | http://www.etsi.org/deliver/etsi_ts/122200_122299/122279/08.00.00_60/ |
| TTC | TS-3GA-22.279(Rel8)v8.0.0 | 8.0.0 | Approved | Feb 09 | http://www.ttc.or.jp/j/document_list/free/3gpps2009/TS/TS-3GA-22.279(Rel8)v8.0.0.pdf |
| Release 9 | | | | | |
| CCSA | CCSA-TSD-TDD-22.279 | 9.0.0 | Published | Jun 14 | http://www.ccsa.org.cn/english/tc/files.php?docpath=/ITU-R/M.1457/M.1457-12/TDD |
| ETSI | ETSI TS 122 279 | 9.0.0 | Published | Jan 10 | http://www.etsi.org/deliver/etsi_ts/122200_122299/122279/09.00.00_60/ |
| TTC | TS-3GA-22.279(Rel9)v9.0.0 | 9.0.0 | Approved | Jul 10 | http://www.ttc.or.jp/j/document_list/free/3gpps2010/TS/TS-3GA-22.279(Rel9)v9.0.0.pdf |
| Release 10 | | | | | |
| CCSA | CCSA-TSD-TDD-22.279 | 10.0.0 | Published | Jun 14 | http://www.ccsa.org.cn/english/tc/files.php?docpath=/ITU-R/M.1457/M.1457-12/TDD |
| ETSI | ETSI TS 122 279 | 10.0.0 | Published | May 11 | http://www.etsi.org/deliver/etsi_ts/122200_122299/122279/10.00.00_60/ |
| TTC | TS-3GA-22.279(Rel10)v10.0.0 | 10.0.0 | Approved | Jun 11 | http://www.ttc.or.jp/j/document_list/free/3gpps2011/TS/TS-3GA-22.279(Rel10)v10.0.0.pdf |
| Release 11 | | | | | |
| CCSA | CCSA-TSD-TDD-22.279 | 11.0.0 | Published | Jun 14 | http://www.ccsa.org.cn/english/tc/files.php?docpath=/ITU-R/M.1457/M.1457-12/TDD |
| ETSI | ETSI TS 122 279 | 11.0.0 | Published | Oct 12 | http://www.etsi.org/deliver/etsi_ts/122200_122299/122279/11.00.00_60/ |
| TTC | TS-3GA-22.279(Rel11)v11.0.0 | 11.0.0 | Approved | Jun 13 | http://www.ttc.or.jp/j/document_list/free/3gpps2013/TS/TS-3GA-22.279(Rel11)v11.0.0.pdf |

5.3.2.13.54 TS 22.368**Service requirements for Machine-Type Communications (MTC); Stage 1**

This document specifies the service requirements for Network Improvements for Machine Type Communications. In particular it will:

- identify and specify general requirements for machine type communications;
- identify service aspects where network improvements (compared to the current human-to-human oriented services) are needed to cater for the specific nature of machine-type communications;
- specify machine type communication requirements for these service aspects where network improvements are needed for machine type communication.

| SDO (2) | Document No. | Version | Status | Issued date | Location (1) |
|---------|--------------|---------|--------|-------------|--------------|
|---------|--------------|---------|--------|-------------|--------------|

Release 10

| | | | | | |
|------|---------------------|--------|-----------|--------|---|
| ARIB | ARIB STD-T63-22.368 | 10.5.0 | Approved | Jul 13 | http://www.arib.or.jp/english/html/overview/doc/STD-T63v10_00/2_T63/ARIB-STD-T63/Rel10/22/A22368-a50.pdf |
| CCSA | CCSA-TSD-TDD-22.368 | 10.5.0 | Published | Jun 12 | http://www.ccsa.org.cn/english/tc/files.php?docpath=/ITU-R/M.1457/M.1457-12/TDD |
| ETSI | ETSI TS 122 368 | 10.5.0 | Published | Jul 11 | http://www.etsi.org/deliver/etsi_ts/122300_122399/122368/10.05.00_60/ |

Release 11

| | | | | | |
|------|---------------------|--------|-----------|--------|---|
| ARIB | ARIB STD-T63-22.368 | 11.6.0 | Approved | Jul 13 | http://www.arib.or.jp/english/html/overview/doc/STD-T63v10_00/2_T63/ARIB-STD-T63/Rel11/22/A22368-b60.pdf |
| CCSA | CCSA-TSD-TDD-22.368 | 11.6.0 | Published | Jun 14 | http://www.ccsa.org.cn/english/tc/files.php?docpath=/ITU-R/M.1457/M.1457-12/TDD |
| ETSI | ETSI TS 122 368 | 11.6.0 | Published | Sep 12 | http://www.etsi.org/deliver/etsi_ts/122300_122399/122368/11.06.00_60/ |

5.3.2.13.55 TR 22.971**Automatic establishment of roaming relationships**

This report describes a proposed framework for commercial and technical interworking between UMTS home environments and serving networks who have no direct prior commercial agreements with each other. This text is applicable to UMTS standardization within ETSI, and is produced with the intent to clarify the concepts involved, and identify those areas which require standardization.

| SDO (2) | Document No. | Version | Status | Issued date | Location (1) |
|-------------------|--------------------------|---------|-----------|-------------|---|
| Release 99 | | | | | |
| CCSA | CCSA-TSD-TDD-22.971 | 3.1.1 | Published | Feb 00 | http://www.ccsa.org.cn/english/tc/files.php?docpath=/ITU-R/M.1457/M.1457-12/TDD |
| ETSI | ETSI TR 122 971 | 3.1.1 | Published | Feb 00 | http://www.etsi.org/deliver/etsi_tr/122900_122999/122971/03.01.01_60/ |
| TTC | TR-3GA-22.971(R99)v3.1.1 | 3.1.1 | Approved | Feb 02 | http://www.ttc.or.jp/j/document_list/free/TR/TR-3GA-22.971(R99)v3.1.1.pdf |

5.3.2.13.56 TS 23.002**Network architecture**

This specification describes the possible architectures of the mobile system.

| SDO (2) | Document No. | Version | Status | Issued date | Location (1) |
|-------------------|----------------------------|---------|-----------|-------------|---|
| Release 99 | | | | | |
| CCSA | CCSA-TSD-TDD-23.002 | 3.6.0 | Published | Oct 02 | http://www.ccsa.org.cn/english/tc/files.php?docpath=/ITU-R/M.1457/M.1457-12/TDD |
| ETSI | ETSI TS 123 002 | 3.6.0 | Published | Oct 02 | http://www.etsi.org/deliver/etsi_ts/123000_123099/123002/03.06.00_60/ |
| TTC | TS-3GA-23.002(R99)v3.6.0 | 3.6.0 | Approved | Nov 02 | http://www.ttc.or.jp/j/document_list/free/TS/TS-3GA-23.002(R99)v3.6.0.pdf |
| Release 4 | | | | | |
| CCSA | CCSA-TSD-TDD-23.002 | 4.8.0 | Published | Jul 03 | http://www.ccsa.org.cn/english/tc/files.php?docpath=/ITU-R/M.1457/M.1457-12/TDD |
| ETSI | ETSI TS 123 002 | 4.8.0 | Published | Jul 03 | http://www.etsi.org/deliver/etsi_ts/123000_123099/123002/04.08.00_60/ |
| TTC | TS-3GA-23.002(Rel4)v4.8.0 | 4.8.0 | Approved | Aug 03 | http://www.ttc.or.jp/j/document_list/free/TS/TS-3GA-23.002(Rel4)v4.8.0.pdf |
| Release 5 | | | | | |
| CCSA | CCSA-TSD-TDD-23.002 | 5.12.0 | Published | Oct 03 | http://www.ccsa.org.cn/english/tc/files.php?docpath=/ITU-R/M.1457/M.1457-12/TDD |
| ETSI | ETSI TS 123 002 | 5.12.0 | Published | Oct 03 | http://www.etsi.org/deliver/etsi_ts/123000_123099/123002/05.12.00_60/ |
| TTC | TS-3GA-23.002(Rel5)v5.12.0 | 5.12.0 | Approved | Nov 03 | http://www.ttc.or.jp/j/document_list/free/TS/TS-3GA-23.002(Rel5)v5.12.0.pdf |
| Release 6 | | | | | |

| | | | | | |
|-------------------|-----------------------------|--------|-----------|--------|---|
| CCSA | CCSA-TSD-TDD-23.002 | 6.10.0 | Published | Jan 06 | http://www.ccsa.org.cn/english/tc/files.php?docpath=/ITU-R/M.1457/M.1457-12/TDD |
| ETSI | ETSI TS 123 002 | 6.10.0 | Published | Jan 06 | http://www.etsi.org/deliver/etsi_ts/123000_123099/123002/06.10.00_60/ |
| TTC | TS-3GA-23.002(Rel6)v6.10.0 | 6.10.0 | Approved | Feb 06 | http://www.ttc.or.jp/j/document_list/free/TS/TS-3GA-23.002(Rel6)v6.10.0.pdf |
| Release 7 | | | | | |
| CCSA | CCSA-TSD-TDD-23.002 | 7.6.0 | Published | Jan 09 | http://www.ccsa.org.cn/english/tc/files.php?docpath=/ITU-R/M.1457/M.1457-12/TDD |
| ETSI | ETSI TS 123 002 | 7.6.0 | Published | Jan 09 | http://www.etsi.org/deliver/etsi_ts/123000_123099/123002/07.06.00_60/ |
| TTC | TS-3GA-23.002(Rel7)v7.6.0 | 7.6.0 | Approved | Feb 09 | http://www.ttc.or.jp/j/document_list/free/3gpps2009/TS/TS-3GA-23.002(Rel7)v7.6.0.pdf |
| Release 8 | | | | | |
| CCSA | CCSA-TSD-TDD-23.002 | 8.7.0 | Published | Jun 12 | http://www.ccsa.org.cn/english/tc/files.php?docpath=/ITU-R/M.1457/M.1457-12/TDD |
| ETSI | ETSI TS 123 002 | 8.7.0 | Published | Jan 11 | http://www.etsi.org/deliver/etsi_ts/123000_123099/123002/08.07.00_60/ |
| TTC | TS-3GA-23.002(Rel8)v8.7.0 | 8.7.0 | Approved | Apr 11 | http://www.ttc.or.jp/j/document_list/free/3gpps2011/TS/TS-3GA-23.002(Rel8)v8.7.0.pdf |
| Release 9 | | | | | |
| CCSA | CCSA-TSD-TDD-23.002 | 9.6.0 | Published | Jun 12 | http://www.ccsa.org.cn/english/tc/files.php?docpath=/ITU-R/M.1457/M.1457-12/TDD |
| ETSI | ETSI TS 123 002 | 9.6.0 | Published | Oct 11 | http://www.etsi.org/deliver/etsi_ts/123000_123099/123002/09.06.00_60/ |
| TTC | TS-3GA-23.002(Rel9)v9.6.0 | 9.6.0 | Approved | Dec 11 | http://www.ttc.or.jp/j/document_list/free/3gpps2011/TS/TS-3GA-23.002(Rel9)v9.6.0.pdf |
| Release 10 | | | | | |
| CCSA | CCSA-TSD-TDD-23.002 | 10.4.0 | Published | Jun 12 | http://www.ccsa.org.cn/english/tc/files.php?docpath=/ITU-R/M.1457/M.1457-12/TDD |
| ETSI | ETSI TS 123 002 | 10.5.0 | Published | Jan 13 | http://www.etsi.org/deliver/etsi_ts/123000_123099/123002/10.05.00_60/ |
| TTC | TS-3GA-23.002(Rel10)v10.5.0 | 10.5.0 | Approved | Jun 13 | http://www.ttc.or.jp/j/document_list/free/3gpps2013/TS/TS-3GA-23.002(Rel10)v10.5.0.pdf |
| Release 11 | | | | | |
| CCSA | CCSA-TSD-TDD-23.002 | 11.6.0 | Published | Jun 14 | http://www.ccsa.org.cn/english/tc/files.php?docpath=/ITU-R/M.1457/M.1457-12/TDD |
| ETSI | ETSI TS 123 002 | 11.5.0 | Published | Jan 13 | http://www.etsi.org/deliver/etsi_ts/123000_123099/123002/11.05.00_60/ |
| TTC | TS-3GA-23.002(Rel11)v11.5.0 | 11.5.0 | Approved | Jun 13 | http://www.ttc.or.jp/j/document_list/free/3gpps2013/TS/TS-3GA-23.002(Rel10)v10.5.0.pdf |

5.3.2.13.57 TS 23.032

Universal Geographical Area Description (GAD)

This document defines an intermediate universal Geographical Area Description which subscriber applications, GSM or UMTS services can use and the network can convert into an equivalent radio coverage map.

For GSM or UMTS services which involve the use of an “area”, it can be assumed that in the majority of cases the Service Requester will be forbidden access to data on the radio coverage map of a particular PLMN and that the Service Requester will not have direct access to network entities (e.g. BSC/BTS or RNC/Node B).

The interpretation by the PLMN operator of the geographical area in terms of cells actually used, cells that are partly within the given area and all other technical and quality of service aspects are out of the scope of this document.

This specification also provides a description of velocity that may be associated with a universal Geographical Area Description when both are applied to a common entity at a common time.

| SDO (2) | Document No. | Version | Status | Issued date | Location (1) |
|-------------------|---------------------|---------|-----------|-------------|---|
| Release 99 | | | | | |
| CCSA | CCSA-TSD-TDD-23.032 | 3.2.1 | Published | Jun 12 | http://www.ccsa.org.cn/english/tc/files.php?docpath=/ITU-R/M.1457/M.1457-12/TDD |

| | | | | | |
|-------------------|-----------------------------|--------|-----------|--------|---|
| ETSI | ETSI TS 123 032 | 3.2.1 | Published | Jan 03 | http://www.etsi.org/deliver/etsi_ts/123000_123099/123032/03.02.01_60/ |
| TTC | TS-3GA-23.032(R99)v3.2.1 | 3.2.1 | Approved | Feb 03 | http://www.ttc.or.jp/j/document_list/free/TS/TS-3GA-23.032(R99)v3.2.1.pdf |
| Release 4 | | | | | |
| CCSA | CCSA-TSD-TDD-23.032 | 4.1.1 | Published | Jun 12 | http://www.ccsa.org.cn/english/tc/files.php?docpath=/ITU-R/M.1457/M.1457-12/TDD |
| ETSI | ETSI TS 123 032 | 4.1.1 | Published | Jan 03 | http://www.etsi.org/deliver/etsi_ts/123000_123099/123032/04.01.01_60/ |
| TTC | TS-3GA-23.032(Rel4)v4.1.1 | 4.1.1 | Approved | Feb 03 | http://www.ttc.or.jp/j/document_list/free/TS/TS-3GA-23.032(Rel4)v4.1.1.pdf |
| Release 5 | | | | | |
| CCSA | CCSA-TSD-TDD-23.032 | 5.0.0 | Published | Jun 12 | http://www.ccsa.org.cn/english/tc/files.php?docpath=/ITU-R/M.1457/M.1457-12/TDD |
| ETSI | ETSI TS 123 032 | 5.0.0 | Published | Apr 03 | http://www.etsi.org/deliver/etsi_ts/123000_123099/123032/05.00.00_60/ |
| TTC | TS-3GA-23.032(Rel5)v5.0.0 | 5.0.0 | Approved | May 03 | http://www.ttc.or.jp/j/document_list/free/TS/TS-3GA-23.032(Rel5)v5.0.0.pdf |
| Release 6 | | | | | |
| CCSA | CCSA-TSD-TDD-23.032 | 6.0.0 | Published | Jun 12 | http://www.ccsa.org.cn/english/tc/files.php?docpath=/ITU-R/M.1457/M.1457-12/TDD |
| ETSI | ETSI TS 123 032 | 6.0.0 | Published | Jan 05 | http://www.etsi.org/deliver/etsi_ts/123000_123099/123032/06.00.00_60/ |
| TTC | TS-3GA-23.032(Rel6)v6.0.0 | 6.0.0 | Approved | Mar 05 | http://www.ttc.or.jp/j/document_list/free/TS/TS-3GA-23.032(Rel6)v6.0.0.pdf |
| Release 7 | | | | | |
| CCSA | CCSA-TSD-TDD-23.032 | 7.0.0 | Published | Jun 12 | http://www.ccsa.org.cn/english/tc/files.php?docpath=/ITU-R/M.1457/M.1457-12/TDD |
| ETSI | ETSI TS 123 032 | 7.0.0 | Published | Jun 07 | http://www.etsi.org/deliver/etsi_ts/123000_123099/123032/07.00.00_60/ |
| TTC | TS-3GA-23.032(Rel7)v7.0.0 | 7.0.0 | Approved | Mar 08 | http://www.ttc.or.jp/j/document_list/free/TS/TS-3GA-23.032(Rel7)v7.0.0.pdf |
| Release 8 | | | | | |
| CCSA | CCSA-TSD-TDD-23.032 | 8.0.0 | Published | Jun 12 | http://www.ccsa.org.cn/english/tc/files.php?docpath=/ITU-R/M.1457/M.1457-12/TDD |
| ETSI | ETSI TS 123 032 | 8.0.0 | Published | Jan 09 | http://www.etsi.org/deliver/etsi_ts/123000_123099/123032/08.00.00_60/ |
| TTC | TS-3GA-23.032(Rel8)v8.0.0 | 8.0.0 | Approved | Feb 09 | http://www.ttc.or.jp/j/document_list/free/3gpps2009/TS/TS-3GA-23.032(Rel8)v8.0.0.pdf |
| Release 9 | | | | | |
| CCSA | CCSA-TSD-TDD-23.032 | 9.0.0 | Published | Jun 12 | http://www.ccsa.org.cn/english/tc/files.php?docpath=/ITU-R/M.1457/M.1457-12/TDD |
| ETSI | ETSI TS 123 032 | 9.0.0 | Published | Jan 10 | http://www.etsi.org/deliver/etsi_ts/123000_123099/123032/09.00.00_60/ |
| TTC | TS-3GA-23.032(Rel9)v9.0.0 | 9.0.0 | Approved | Jul 10 | http://www.ttc.or.jp/j/document_list/free/3gpps2010/TS/TS-3GA-23.032(Rel9)v9.0.0.pdf |
| Release 10 | | | | | |
| CCSA | CCSA-TSD-TDD-23.032 | 10.0.0 | Published | Jun 12 | http://www.ccsa.org.cn/english/tc/files.php?docpath=/ITU-R/M.1457/M.1457-12/TDD |
| ETSI | ETSI TS 123 032 | 10.0.0 | Published | Mar 11 | http://www.etsi.org/deliver/etsi_ts/123000_123099/123032/10.00.00_60/ |
| TTC | TS-3GA-23.032(Rel10)v10.0.0 | 10.0.0 | Approved | Jun 11 | http://www.ttc.or.jp/j/document_list/free/3gpps2011/TS/TS-3GA-23.032(Rel10)v10.0.0.pdf |
| Release 11 | | | | | |
| CCSA | CCSA-TSD-TDD-23.032 | 11.0.0 | Published | Jun 14 | http://www.ccsa.org.cn/english/tc/files.php?docpath=/ITU-R/M.1457/M.1457-12/TDD |
| ETSI | ETSI TS 123 032 | 11.0.0 | Published | Sep 12 | http://www.etsi.org/deliver/etsi_ts/123000_123099/123032/11.00.00_60/ |
| TTC | TS-3GA-23.032(Rel11)v11.0.0 | 11.0.0 | Approved | Jun 13 | http://www.ttc.or.jp/j/document_list/free/3gpps2013/TS/TS-3GA-23.032(Rel11)v11.0.0.pdf |

5.3.2.13.58 TS 23.101

General Universal Mobile Telecommunications System (UMTS) architecture

This specification describes the basic physical and functional separation of UMTS. The content of this specification is limited to those features that are common to all UMTS networks independent of their origin. It identifies and names the reference points and functional groupings appearing at this level.

SDO (2) Document No. Version Status Issued date Location (1)

Release 99

| | | | | | |
|-------------------|-----------------------------|--------|-----------|--------|---|
| CCSA | CCSA-TSD-TDD-23.101 | 3.1.0 | Published | Feb 01 | http://www.ccsa.org.cn/english/tc/files.php?docpath=/ITU-R/M.1457/M.1457-12/TDD |
| ETSI | ETSI TS 123 101 | 3.1.0 | Published | Feb 01 | http://www.etsi.org/deliver/etsi_ts/123100_123199/123101/03.01.00_60/ |
| TTC | JP-3GA-23.101(R99) | 3.1.0 | Approved | May 01 | http://www.ttc.or.jp/j/document_list/pdf/j/STD/JP-3GA-23.101(R99)v2.pdf |
| Release 4 | | | | | |
| CCSA | CCSA-TSD-TDD-23.101 | 4.0.0 | Published | Apr 01 | http://www.ccsa.org.cn/english/tc/files.php?docpath=/ITU-R/M.1457/M.1457-12/TDD |
| ETSI | ETSI TS 123 101 | 4.0.0 | Published | Apr 01 | http://www.etsi.org/deliver/etsi_ts/123100_123199/123101/04.00.00_60/ |
| TTC | TS-3GA-23.101(Rel4)v4.0.0 | 4.0.0 | Approved | May 01 | http://www.ttc.or.jp/j/document_list/free/TS/TS-3GA-23.101(Rel4)v4.0.0.pdf |
| Release 5 | | | | | |
| CCSA | CCSA-TSD-TDD-23.101 | 5.0.1 | Published | Jan 04 | http://www.ccsa.org.cn/english/tc/files.php?docpath=/ITU-R/M.1457/M.1457-12/TDD |
| ETSI | ETSI TS 123 101 | 5.0.1 | Published | Jan 04 | http://www.etsi.org/deliver/etsi_ts/123100_123199/123101/05.00.01_60/ |
| TTC | TS-3GA-23.101(Rel5)v5.0.1 | 5.0.1 | Approved | Mar 08 | http://www.ttc.or.jp/j/document_list/free/TS/TS-3GA-23.101(Rel5)v5.0.1.pdf |
| Release 6 | | | | | |
| CCSA | CCSA-TSD-TDD-23.101 | 6.0.0 | Published | Jan 05 | http://www.ccsa.org.cn/english/tc/files.php?docpath=/ITU-R/M.1457/M.1457-12/TDD |
| ETSI | ETSI TS 123 101 | 6.0.0 | Published | Jan 05 | http://www.etsi.org/deliver/etsi_ts/123100_123199/123101/06.00.00_60/ |
| TTC | TS-3GA-23.101(Rel6)v6.0.0 | 6.0.0 | Approved | Mar 08 | http://www.ttc.or.jp/j/document_list/free/TS/TS-3GA-23.101(Rel6)v6.0.0.pdf |
| Release 7 | | | | | |
| CCSA | CCSA-TSD-TDD-23.101 | 7.0.0 | Published | Jun 07 | http://www.ccsa.org.cn/english/tc/files.php?docpath=/ITU-R/M.1457/M.1457-12/TDD |
| ETSI | ETSI TS 123 101 | 7.0.0 | Published | Jun 07 | http://www.etsi.org/deliver/etsi_ts/123100_123199/123101/07.00.00_60/ |
| TTC | TS-3GA-23.101(Rel7)v7.0.0 | 7.0.0 | Approved | Mar 08 | http://www.ttc.or.jp/j/document_list/free/TS/TS-3GA-23.101(Rel7)v7.0.0.pdf |
| Release 8 | | | | | |
| CCSA | CCSA-TSD-TDD-23.101 | 8.0.0 | Published | Jan 09 | http://www.ccsa.org.cn/english/tc/files.php?docpath=/ITU-R/M.1457/M.1457-12/TDD |
| ETSI | ETSI TS 123 101 | 8.0.0 | Published | Jan 09 | http://www.etsi.org/deliver/etsi_ts/123100_123199/123101/08.00.00_60/ |
| TTC | TS-3GA-23.101(Rel8)v8.0.0 | 8.0.0 | Approved | Feb 09 | http://www.ttc.or.jp/j/document_list/free/3gpps2009/TS/TS-3GA-23.101(Rel8)v8.0.0.pdf |
| Release 9 | | | | | |
| CCSA | CCSA-TSD-TDD-23.101 | 9.0.0 | Published | Mar 10 | http://www.ccsa.org.cn/english/tc/files.php?docpath=/ITU-R/M.1457/M.1457-12/TDD |
| ETSI | ETSI TS 123 101 | 9.0.0 | Published | Jan 10 | http://www.etsi.org/deliver/etsi_ts/123100_123199/123101/09.00.00_60/ |
| TTC | TS-3GA-23.101(Rel9)v9.0.0 | 9.0.0 | Approved | Jul 10 | http://www.ttc.or.jp/j/document_list/free/3gpps2010/TS/TS-3GA-23.101(Rel9)v9.0.0.pdf |
| Release 10 | | | | | |
| CCSA | CCSA-TSD-TDD-23.101 | 10.0.0 | Published | Jun 12 | http://www.ccsa.org.cn/english/tc/files.php?docpath=/ITU-R/M.1457/M.1457-12/TDD |
| ETSI | ETSI TS 123 101 | 10.0.0 | Published | Mar 11 | http://www.etsi.org/deliver/etsi_ts/123100_123199/123101/10.00.00_60/ |
| TTC | TS-3GA-23.101(Rel10)v10.0.0 | 10.0.0 | Approved | Jun 11 | http://www.ttc.or.jp/j/document_list/free/3gpps2011/TS/TS-3GA-23.101(Rel10)v10.0.0.pdf |
| Release 11 | | | | | |
| CCSA | CCSA-TSD-TDD-23.101 | 11.0.0 | Published | Jun 14 | http://www.ccsa.org.cn/english/tc/files.php?docpath=/ITU-R/M.1457/M.1457-12/TDD |
| ETSI | ETSI TS 123 101 | 11.0.0 | Published | Sep 12 | http://www.etsi.org/deliver/etsi_ts/123100_123199/123101/11.00.00_60/ |
| TTC | TS-3GA-23.101(Rel11)v11.0.0 | 11.0.0 | Approved | Jun 13 | http://www.ttc.or.jp/j/document_list/free/3gpps2013/TS/TS-3GA-23.101(Rel11)v11.0.0.pdf |

5.3.2.13.59 TS 23.107

Quality of Service (QoS) concept and architecture

This specification describes the framework for QoS in UMTS. The document shall be used as a living document which will cover all issues related QoS in UMTS.

| SDO (2) | Document No. | Version | Status | Issued date | Location (1) |
|---------|--------------|---------|--------|-------------|--------------|
|---------|--------------|---------|--------|-------------|--------------|

Release 99

| | | | | | |
|------|---------------------|-------|-----------|--------|---|
| ARIB | ARIB STD-T63-23.107 | 3.9.0 | Approved | Jul 13 | http://www.arib.or.jp/english/html/overview/doc/STD-T63v10_00/2_T63/ARIB-STD-T63/R99/23/A23107-390.pdf |
| CCSA | CCSA-TSD-TDD-23.107 | 3.9.0 | Published | Oct 02 | http://www.ccsa.org.cn/english/tc/files.php?docpath=/ITU-R/M.1457/M.1457-12/TDD |
| ETSI | ETSI TS 123 107 | 3.9.0 | Published | Oct 02 | http://www.etsi.org/deliver/etsi_ts/123100_123199/123107/03.09.00_60/ |

Release 4

| | | | | | |
|------|---------------------|-------|-----------|--------|---|
| ARIB | ARIB STD-T63-23.107 | 4.6.0 | Approved | Jul 13 | http://www.arib.or.jp/english/html/overview/doc/STD-T63v10_00/2_T63/ARIB-STD-T63/Rel4/23/A23107-460.pdf |
| CCSA | CCSA-TSD-TDD-23.107 | 4.6.0 | Published | Jan 03 | http://www.ccsa.org.cn/english/tc/files.php?docpath=/ITU-R/M.1457/M.1457-12/TDD |
| ETSI | ETSI TS 123 107 | 4.6.0 | Published | Jan 03 | http://www.etsi.org/deliver/etsi_ts/123100_123199/123107/04.06.00_60/ |

Release 5

| | | | | | |
|------|---------------------|--------|-----------|--------|---|
| ARIB | ARIB STD-T63-23.107 | 5.13.0 | Approved | Jul 13 | http://www.arib.or.jp/english/html/overview/doc/STD-T63v10_00/2_T63/ARIB-STD-T63/Rel5/23/A23107-5d0.pdf |
| CCSA | CCSA-TSD-TDD-23.107 | 5.13.0 | Published | Jan 05 | http://www.ccsa.org.cn/english/tc/files.php?docpath=/ITU-R/M.1457/M.1457-12/TDD |
| ETSI | ETSI TS 123 107 | 5.13.0 | Published | Jan 05 | http://www.etsi.org/deliver/etsi_ts/123100_123199/123107/05.13.00_60/ |

Release 6

| | | | | | |
|------|---------------------|-------|-----------|--------|---|
| ARIB | ARIB STD-T63-23.107 | 6.4.0 | Approved | Jul 13 | http://www.arib.or.jp/english/html/overview/doc/STD-T63v10_00/2_T63/ARIB-STD-T63/Rel6/23/A23107-640.pdf |
| CCSA | CCSA-TSD-TDD-23.107 | 6.4.0 | Published | May 06 | http://www.ccsa.org.cn/english/tc/files.php?docpath=/ITU-R/M.1457/M.1457-12/TDD |
| ETSI | ETSI TS 123 107 | 6.4.0 | Published | May 06 | http://www.etsi.org/deliver/etsi_ts/123100_123199/123107/06.04.00_60/ |

Release 7

| | | | | | |
|------|---------------------|-------|-----------|--------|---|
| ARIB | ARIB STD-T63-23.107 | 7.1.0 | Approved | Jul 13 | http://www.arib.or.jp/english/html/overview/doc/STD-T63v10_00/2_T63/ARIB-STD-T63/Rel7/23/A23107-710.pdf |
| CCSA | CCSA-TSD-TDD-23.107 | 7.1.0 | Published | Oct 07 | http://www.ccsa.org.cn/english/tc/files.php?docpath=/ITU-R/M.1457/M.1457-12/TDD |
| ETSI | ETSI TS 123 107 | 7.1.0 | Published | Oct 07 | http://www.etsi.org/deliver/etsi_ts/123100_123199/123107/07.01.00_60/ |

Release 8

| | | | | | |
|------|---------------------|-------|-----------|--------|---|
| ARIB | ARIB STD-T63-23.107 | 8.2.0 | Approved | Jul 13 | http://www.arib.or.jp/english/html/overview/doc/STD-T63v10_00/2_T63/ARIB-STD-T63/Rel8/23/A23107-820.pdf |
| CCSA | CCSA-TSD-TDD-23.107 | 8.2.0 | Published | Jun 12 | http://www.ccsa.org.cn/english/tc/files.php?docpath=/ITU-R/M.1457/M.1457-12/TDD |
| ETSI | ETSI TS 123 107 | 8.2.0 | Published | Jan 12 | http://www.etsi.org/deliver/etsi_ts/123100_123199/123107/08.02.00_60/ |

Release 9

| | | | | | |
|------|---------------------|-------|-----------|--------|---|
| ARIB | ARIB STD-T63-23.107 | 9.3.0 | Approved | Jul 13 | http://www.arib.or.jp/english/html/overview/doc/STD-T63v10_00/2_T63/ARIB-STD-T63/Rel9/23/A23107-930.pdf |
| CCSA | CCSA-TSD-TDD-23.107 | 9.3.0 | Published | Jun 12 | http://www.ccsa.org.cn/english/tc/files.php?docpath=/ITU-R/M.1457/M.1457-12/TDD |
| ETSI | ETSI TS 123 107 | 9.3.0 | Published | Jan 12 | http://www.etsi.org/deliver/etsi_ts/123100_123199/123107/09.03.00_60/ |

Release 10

| | | | | | |
|------|---------------------|--------|-----------|--------|---|
| ARIB | ARIB STD-T63-23.107 | 10.2.0 | Approved | Jul 13 | http://www.arib.or.jp/english/html/overview/doc/STD-T63v10_00/2_T63/ARIB-STD-T63/Rel10/23/A23107-a20.pdf |
| CCSA | CCSA-TSD-TDD-23.107 | 10.2.0 | Published | Jun 12 | http://www.ccsa.org.cn/english/tc/files.php?docpath=/ITU-R/M.1457/M.1457-12/TDD |
| ETSI | ETSI TS 123 107 | 10.2.0 | Published | Jan 12 | http://www.etsi.org/deliver/etsi_ts/123100_123199/123107/10.02.00_60/ |

Release 11

| | | | | | |
|------|---------------------|--------|-----------|--------|---|
| ARIB | ARIB STD-T63-23.107 | 11.0.0 | Approved | Jul 13 | http://www.arib.or.jp/english/html/overview/doc/STD-T63v10_00/2_T63/ARIB-STD-T63/Rel11/23/A23107-b00.pdf |
| CCSA | CCSA-TSD-TDD-23.107 | 11.0.0 | Published | Jun 14 | http://www.ccsa.org.cn/english/tc/files.php?docpath=/ITU-R/M.1457/M.1457-12/TDD |
| ETSI | ETSI TS 123 107 | 11.0.0 | Published | Nov 12 | http://www.etsi.org/deliver/etsi_ts/123100_123199/123107/11.00.00_60/ |

5.3.2.13.60 TS 23.121**Architectural requirements for Release 1999**

This specification describes architectural requirements for release 1999 related to the evolution of the GSM platform towards UMTS with the overall goal of fulfilling the UMTS service requirements, support of roaming and support of new functionality, signalling systems and interfaces.

| SDO (2) | Document No. | Version | Status | Issued date | Location (1) |
|-------------------|--------------------------|---------|-----------|-------------|---|
| Release 99 | | | | | |
| CCSA | CCSA-TSD-TDD-23.121 | 3.6.0 | Published | Jun 02 | http://www.ccsa.org.cn/english/tc/files.php?docpath=/ITU-R/M.1457/M.1457-12/TDD |
| ETSI | ETSI TS 123 121 | 3.6.0 | Published | Jun 02 | http://www.etsi.org/deliver/etsi_ts/123100_123199/123121/03.06.00_60/ |
| TTC | TS-3GA-23.121(R99)v3.6.0 | 3.6.0 | Approved | Aug 02 | http://www.ttc.or.jp/j/document_list/free/TS/TS-3GA-23.121(R99)v3.6.0.pdf |
| Release 11 | | | | | |
| CCSA | CCSA-TSD-TDD-23.121 | 3.6.0 | Published | Jun 14 | http://www.ccsa.org.cn/english/tc/files.php?docpath=/ITU-R/M.1457/M.1457-12/TDD |

5.3.2.13.61 TS 23.141

Presence service; Architecture and functional description

This document describes the stage 2 description (architectural solution and functionalities) for the Presence Service, which includes the elements necessary to realize the stage 1 requirements in TS 22.141.

| SDO (2) | Document No. | Version | Status | Issued date | Location (1) |
|-------------------|-----------------------------|---------|-----------|-------------|---|
| Release 6 | | | | | |
| CCSA | CCSA-TSD-TDD-23.141 | 6.10.0 | Published | Jun 12 | http://www.ccsa.org.cn/english/tc/files.php?docpath=/ITU-R/M.1457/M.1457-12/TDD |
| ETSI | ETSI TS 123 141 | 6.10.0 | Published | Oct 07 | http://www.etsi.org/deliver/etsi_ts/123100_123199/123141/06.10.00_60/ |
| TTC | TS-3GA-23.141(Rel6)v6.10.0 | 6.10.0 | Approved | Mar 08 | http://www.ttc.or.jp/j/document_list/free/TS/TS-3GA-23.141(Rel6)v6.10.0.pdf |
| Release 7 | | | | | |
| CCSA | CCSA-TSD-TDD-23.141 | 7.3.0 | Published | Jun 12 | http://www.ccsa.org.cn/english/tc/files.php?docpath=/ITU-R/M.1457/M.1457-12/TDD |
| ETSI | ETSI TS 123 141 | 7.3.0 | Published | Oct 07 | http://www.etsi.org/deliver/etsi_ts/123100_123199/123141/07.03.00_60/ |
| TTC | TS-3GA-23.141(Rel7)v7.3.0 | 7.3.0 | Approved | Mar 08 | http://www.ttc.or.jp/j/document_list/free/TS/TS-3GA-23.141(Rel7)v7.3.0.pdf |
| Release 8 | | | | | |
| CCSA | CCSA-TSD-TDD-23.141 | 8.1.0 | Published | Jun 12 | http://www.ccsa.org.cn/english/tc/files.php?docpath=/ITU-R/M.1457/M.1457-12/TDD |
| ETSI | ETSI TS 123 141 | 8.1.0 | Published | Jan 09 | http://www.etsi.org/deliver/etsi_ts/123100_123199/123141/08.01.00_60/ |
| TTC | TS-3GA-23.141(Rel8)v8.1.0 | 8.1.0 | Approved | Feb 09 | http://www.ttc.or.jp/j/document_list/free/3gpps2009/TS/TS-3GA-23.141(Rel8)v8.1.0.pdf |
| Release 9 | | | | | |
| CCSA | CCSA-TSD-TDD-23.141 | 9.0.0 | Published | Jun 12 | http://www.ccsa.org.cn/english/tc/files.php?docpath=/ITU-R/M.1457/M.1457-12/TDD |
| ETSI | ETSI TS 123 141 | 9.0.0 | Published | Jan 10 | http://www.etsi.org/deliver/etsi_ts/123100_123199/123141/09.00.00_60/ |
| TTC | TS-3GA-23.141(Rel9)v9.0.0 | 9.0.0 | Approved | Jul 10 | http://www.ttc.or.jp/j/document_list/free/3gpps2010/TS/TS-3GA-23.141(Rel9)v9.0.0.pdf |
| Release 10 | | | | | |
| CCSA | CCSA-TSD-TDD-23.141 | 10.0.0 | Published | Jun 12 | http://www.ccsa.org.cn/english/tc/files.php?docpath=/ITU-R/M.1457/M.1457-12/TDD |
| ETSI | ETSI TS 123 141 | 10.0.0 | Published | Mar 11 | http://www.etsi.org/deliver/etsi_ts/123100_123199/123141/10.00.00_60/ |
| TTC | TS-3GA-23.141(Rel10)v10.0.0 | 10.0.0 | Approved | Jun 11 | http://www.ttc.or.jp/j/document_list/free/3gpps2011/TS/TS-3GA-23.141(Rel10)v10.0.0.pdf |
| Release 11 | | | | | |
| CCSA | CCSA-TSD-TDD-23.141 | 11.0.0 | Published | Jun 14 | http://www.ccsa.org.cn/english/tc/files.php?docpath=/ITU-R/M.1457/M.1457-12/TDD |
| ETSI | ETSI TS 123 141 | 11.0.0 | Published | Sep 12 | http://www.etsi.org/deliver/etsi_ts/123100_123199/123141/11.00.00_60/ |
| TTC | TS-3GA-23.141(Rel11)v11.0.0 | 11.0.0 | Approved | Jun 13 | http://www.ttc.or.jp/j/document_list/free/3gpps2013/TS/TS-3GA-23.141(Rel11)v11.0.0.pdf |

5.3.2.13.62 TS 23.167

IP Multimedia Subsystem (IMS) emergency sessions

This document defines the stage 2 service description for emergency services in the IP Multimedia Core Network Subsystem (IMS), including the elements necessary to support IP Multimedia (IM) emergency services.

This document covers also the Access Network aspects that are crucial for the provisioning of IMS emergency services. Other 3GPP specifications that are related to the IMS emergency services are TS 23.228 on IMS in general, including fixed broadband access aspects, TS 23.060 describing GPRS (UTRAN), TS 23.401, TS 23.060; TS 23.402 describing EPS (UTRAN and E-UTRAN); TS 23.234 describing 3GPP/WLAN Interworking; TS 23.271 that covers location services and TS 23.216 and TS 23.237 describing Single Radio Voice Call Continuity for IMS Emergency session. TS 25.301 contains an overall description of the UMTS Terrestrial Radio Access Network TS 36.300 contains an overall description of the Evolved Universal Terrestrial Radio Access (E-UTRA) and Evolved Universal Terrestrial Radio Access Network (E-UTRAN). Other non-3GPP specifications that are related to the IMS emergency services include 3GPP2 cdma2000 HRPD IP CAN, as specified in 3GPP2 X.S0060 when the UE is connected to a PDS core network and 3GPP2 X.S0057 A when the UE is connected to an EPC core network.

The emergency support in different IP-CANs is described in the Informative Annex E.

| SDO (2) | Document No. | Version | Status | Issued date | Location (1) |
|-------------------|-----------------------------|---------|-----------|-------------|---|
| Release 7 | | | | | |
| CCSA | CCSA-TSD-TDD-23.167 | 7.12.0 | Published | Jun 12 | http://www.ccsa.org.cn/english/tc/files.php?docpath=/ITU-R/M.1457/M.1457-12/TDD |
| ETSI | ETSI TS 123 167 | 7.12.0 | Published | Jan 10 | http://www.etsi.org/deliver/etsi_ts/123100_123199/123167/07.12.00_60/ |
| TTC | TS-3GA-23.167(Rel7)v7.12.0 | 7.12.0 | Approved | Apr 10 | http://www.ttc.or.jp/jp/document_list/free/3gpps2010/TS/TS-3GA-23.167(Rel7)v7.12.0.pdf |
| Release 8 | | | | | |
| CCSA | CCSA-TSD-TDD-23.167 | 8.5.0 | Published | Jun 12 | http://www.ccsa.org.cn/english/tc/files.php?docpath=/ITU-R/M.1457/M.1457-12/TDD |
| ETSI | ETSI TS 123 167 | 8.5.0 | Published | Jan 10 | http://www.etsi.org/deliver/etsi_ts/123100_123199/123167/08.05.00_60/ |
| TTC | TS-3GA-23.167(Rel8)v8.5.0 | 8.5.0 | Approved | Apr 10 | http://www.ttc.or.jp/jp/document_list/free/3gpps2010/TS/TS-3GA-23.167(Rel8)v8.5.0.pdf |
| Release 9 | | | | | |
| CCSA | CCSA-TSD-TDD-23.167 | 9.8.0 | Published | Jun 12 | http://www.ccsa.org.cn/english/tc/files.php?docpath=/ITU-R/M.1457/M.1457-12/TDD |
| ETSI | ETSI TS 123 167 | 9.10.0 | Published | Jan 13 | http://www.etsi.org/deliver/etsi_ts/123100_123199/123167/09.10.00_60/ |
| TTC | TS-3GA-23.167(Rel9)v9.10.0 | 9.10.0 | Approved | Jun 13 | http://www.ttc.or.jp/jp/document_list/free/3gpps2013/TS/TS-3GA-23.167(Rel9)v9.10.0.pdf |
| Release 10 | | | | | |
| CCSA | CCSA-TSD-TDD-23.167 | 10.5.0 | Published | Jun 12 | http://www.ccsa.org.cn/english/tc/files.php?docpath=/ITU-R/M.1457/M.1457-12/TDD |
| ETSI | ETSI TS 123 167 | 10.7.0 | Published | Jan 13 | http://www.etsi.org/deliver/etsi_ts/123100_123199/123167/10.07.00_60/ |
| TTC | TS-3GA-23.167(Rel10)v10.7.0 | 10.7.0 | Approved | Jun 13 | http://www.ttc.or.jp/jp/document_list/free/3gpps2013/TS/TS-3GA-23.167(Rel10)v10.7.0.pdf |
| Release 11 | | | | | |
| CCSA | CCSA-TSD-TDD-23.167 | 11.11.0 | Published | Jun 14 | http://www.ccsa.org.cn/english/tc/files.php?docpath=/ITU-R/M.1457/M.1457-12/TDD |
| ETSI | ETSI TS 123 167 | 11.6.0 | Published | Jan 13 | http://www.etsi.org/deliver/etsi_ts/123100_123199/123167/11.06.00_60/ |
| TTC | TS-3GA-23.167(Rel11)v11.6.0 | 11.6.0 | Approved | Jun 13 | http://www.ttc.or.jp/jp/document_list/free/3gpps2013/TS/TS-3GA-23.167(Rel11)v11.6.0.pdf |

5.3.2.13.63 TS 23.171

Location Services (LCS); Functional description; Stage 2 (UMTS)

This document specifies the stage 2 of the Location Services (LCS) feature in UMTS, which provides the mechanisms to support mobile location services

for operators, subscribers and third party service providers.

Location Services may be considered as a network provided enabling technology consisting of standardized service capabilities, which enable the provision of location applications. The application(s) may be service provider specific. The description of the numerous and varied possible location applications which are enabled by this technology are outside the scope of this document. However, clarifying examples of how the functionality being described may be used to provide specific location services may be included.

This stage 2 service description covers the LCS system functional model for the whole system, the LCS system architecture, state descriptions, message flows, etc.

| SDO (2) | Document No. | Version | Status | Issued date | Location (1) |
|-------------------|---------------------|---------|-----------|-------------|---|
| Release 99 | | | | | |
| ARIB | ARIB STD-T63-23.171 | 3.11.0 | Approved | Jul 13 | http://www.arib.or.jp/english/html/overview/doc/STD-T63v10_00/2_T63/ARIB-STD-T63/R99/23/A23171-3b0.pdf |
| CCSA | CCSA-TSD-TDD-23.171 | 3.11.0 | Published | Jun 12 | http://www.ccsa.org.cn/english/tc/files.php?docpath=/ITU-R/M.1457/M.1457-12/TDD |
| ETSI | ETSI TS 123 171 | 3.11.0 | Published | Apr 04 | http://www.etsi.org/deliver/etsi_ts/123100_123199/123171/03.11.00_60/ |

5.3.2.13.64 TS 23.203

Policy and charging control architecture

This document specifies the overall stage 2 level functionality for Policy and Charging Control that encompasses the following high level functions for IP CANs (e.g. GPRS, I WLAN, Fixed Broadband, etc.): (i) Flow Based Charging, including charging control and online credit control; (ii) Policy control (e.g. gating control, QoS control, QoS signalling, etc.).

| SDO (2) | Document No. | Version | Status | Issued date | Location (1) |
|-------------------|---------------------|---------|-----------|-------------|---|
| Release 7 | | | | | |
| ARIB | ARIB STD-T63-23.203 | 7.14.1 | Approved | Jul 13 | http://www.arib.or.jp/english/html/overview/doc/STD-T63v10_00/2_T63/ARIB-STD-T63/Rel7/23/A23203-7e1.pdf |
| CCSA | CCSA-TSD-TDD-23.203 | 7.12.0 | Published | Jun 12 | http://www.ccsa.org.cn/english/tc/files.php?docpath=/ITU-R/M.1457/M.1457-12/TDD |
| ETSI | ETSI TS 123 203 | 7.14.1 | Published | Jul 12 | http://www.etsi.org/deliver/etsi_ts/123200_123299/123203/07.14.01_60/ |
| Release 8 | | | | | |
| ARIB | ARIB STD-T63-23.203 | 8.14.0 | Approved | Jul 13 | http://www.arib.or.jp/english/html/overview/doc/STD-T63v10_00/2_T63/ARIB-STD-T63/Rel8/23/A23203-8e0.pdf |
| CCSA | CCSA-TSD-TDD-23.203 | 8.12.0 | Published | Jun 12 | http://www.ccsa.org.cn/english/tc/files.php?docpath=/ITU-R/M.1457/M.1457-12/TDD |
| ETSI | ETSI TS 123 203 | 8.14.0 | Published | Jul 12 | http://www.etsi.org/deliver/etsi_ts/123200_123299/123203/08.14.00_60/ |
| Release 9 | | | | | |
| ARIB | ARIB STD-T63-23.203 | 9.12.0 | Approved | Jul 13 | http://www.arib.or.jp/english/html/overview/doc/STD-T63v10_00/2_T63/ARIB-STD-T63/Rel9/23/A23203-9c0.pdf |
| CCSA | CCSA-TSD-TDD-23.203 | 9.10.0 | Published | Jun 12 | http://www.ccsa.org.cn/english/tc/files.php?docpath=/ITU-R/M.1457/M.1457-12/TDD |
| ETSI | ETSI TS 123 203 | 9.12.0 | Published | Jul 12 | http://www.etsi.org/deliver/etsi_ts/123200_123299/123203/09.12.00_60/ |
| Release 10 | | | | | |
| ARIB | ARIB STD-T63-23.203 | 10.8.0 | Approved | Jul 13 | http://www.arib.or.jp/english/html/overview/doc/STD-T63v10_00/2_T63/ARIB-STD-T63/Rel10/23/A23203-a80.pdf |
| CCSA | CCSA-TSD-TDD-23.203 | 10.5.0 | Published | Jun 12 | http://www.ccsa.org.cn/english/tc/files.php?docpath=/ITU-R/M.1457/M.1457-12/TDD |
| ETSI | ETSI TS 123 203 | 10.8.0 | Published | Nov 12 | http://www.etsi.org/deliver/etsi_ts/123200_123299/123203/10.08.00_60/ |
| Release 11 | | | | | |
| ARIB | ARIB STD-T63-23.203 | 11.9.0 | Approved | Jul 13 | http://www.arib.or.jp/english/html/overview/doc/STD-T63v10_00/2_T63/ARIB-STD-T63/Rel11/23/A23203-b90.pdf |

| | | | | | |
|------|---------------------|---------|-----------|--------|---|
| CCSA | CCSA-TSD-TDD-23.203 | 11.14.0 | Published | Jun 14 | http://www.ccsa.org.cn/english/tc/files.php?docpath=/ITU-R/M.1457/M.1457-12/TDD |
| ETSI | ETSI TS 123 203 | 11.9.0 | Published | Apr 13 | http://www.etsi.org/deliver/etsi_ts/123200_123299/123203/11.09.00_60/ |

5.3.2.13.65 TS 23.204

Support of Short Message Service (SMS) over generic 3GPP Internet Protocol (IP) access; Stage 2

This document specifies the new capabilities and enhancements needed to support SMS over a generic IP Connectivity Access Network (IP-CAN) using IMS capabilities (TS 23.228).

| SDO (2) | Document No. | Version | Status | Issued date | Location (1) |
|-------------------|---------------------|---------|-----------|-------------|---|
| Release 7 | | | | | |
| ARIB | ARIB STD-T63-23.204 | 7.6.0 | Approved | Jul 13 | http://www.arib.or.jp/english/html/overview/doc/STD-T63v10_00/2_T63/ARIB-STD-T63/Rel7/23/A23204-760.pdf |
| CCSA | CCSA-TSD-TDD-23.204 | 7.6.0 | Published | Jun 12 | http://www.ccsa.org.cn/english/tc/files.php?docpath=/ITU-R/M.1457/M.1457-12/TDD |
| ETSI | ETSI TS 123 204 | 7.6.0 | Published | Mar 09 | http://www.etsi.org/deliver/etsi_ts/123200_123299/123204/07.06.00_60/ |
| Release 8 | | | | | |
| ARIB | ARIB STD-T63-23.204 | 8.5.0 | Approved | Jul 13 | http://www.arib.or.jp/english/html/overview/doc/STD-T63v10_00/2_T63/ARIB-STD-T63/Rel8/23/A23204-850.pdf |
| CCSA | CCSA-TSD-TDD-23.204 | 8.5.0 | Published | Jun 12 | http://www.ccsa.org.cn/english/tc/files.php?docpath=/ITU-R/M.1457/M.1457-12/TDD |
| ETSI | ETSI TS 123 204 | 8.5.0 | Published | Mar 10 | http://www.etsi.org/deliver/etsi_ts/123200_123299/123204/08.05.00_60/ |
| Release 9 | | | | | |
| ARIB | ARIB STD-T63-23.204 | 9.1.0 | Approved | Jul 13 | http://www.arib.or.jp/english/html/overview/doc/STD-T63v10_00/2_T63/ARIB-STD-T63/Rel9/23/A23204-910.pdf |
| CCSA | CCSA-TSD-TDD-23.204 | 9.1.0 | Published | Jun 12 | http://www.ccsa.org.cn/english/tc/files.php?docpath=/ITU-R/M.1457/M.1457-12/TDD |
| ETSI | ETSI TS 123 204 | 9.1.0 | Published | Mar 10 | http://www.etsi.org/deliver/etsi_ts/123200_123299/123204/09.01.00_60/ |
| Release 10 | | | | | |
| ARIB | ARIB STD-T63-23.204 | 10.2.0 | Approved | Jul 13 | http://www.arib.or.jp/english/html/overview/doc/STD-T63v10_00/2_T63/ARIB-STD-T63/Rel10/23/A23204-a20.pdf |
| CCSA | CCSA-TSD-TDD-23.204 | 10.2.0 | Published | Jun 12 | http://www.ccsa.org.cn/english/tc/files.php?docpath=/ITU-R/M.1457/M.1457-12/TDD |
| ETSI | ETSI TS 123 204 | 10.2.0 | Published | Apr 11 | http://www.etsi.org/deliver/etsi_ts/123200_123299/123204/10.02.00_60/ |
| Release 11 | | | | | |
| ARIB | ARIB STD-T63-23.204 | 11.3.0 | Approved | Jul 13 | http://www.arib.or.jp/english/html/overview/doc/STD-T63v10_00/2_T63/ARIB-STD-T63/Rel11/23/A23204-b30.pdf |
| CCSA | CCSA-TSD-TDD-23.204 | 11.5.0 | Published | Jun 14 | http://www.ccsa.org.cn/english/tc/files.php?docpath=/ITU-R/M.1457/M.1457-12/TDD |
| ETSI | ETSI TS 123 204 | 11.3.0 | Published | Jan 13 | http://www.etsi.org/deliver/etsi_ts/123200_123299/123204/11.03.00_60/ |

5.3.2.13.66 TS 23.207

End-to-end Quality of Service (QoS) concept and architecture

This document provides the framework for end-to-end Quality of Service involving GPRS and complements TS 23.107 which describes the framework for Quality of Service within UMTS. The document describes the interaction between the TE/MT Local Bearer Service, the GPRS Bearer Service, and the External Bearer Service, and how these together provide Quality of Service for the End-to-End Service. The document also describes IP level mechanisms necessary in providing end-to-end Quality of Service involving GPRS networks, including possible interaction between the IP level and the GPRS level, as well as the application level and the IP level.

| SDO (2) | Document No. | Version | Status | Issued date | Location (1) |
|---------|--------------|---------|--------|-------------|--------------|
|---------|--------------|---------|--------|-------------|--------------|

Release 5

| | | | | | |
|------|---------------------|--------|-----------|--------|---|
| ARIB | ARIB STD-T63-23.207 | 5.10.0 | Approved | Jul 13 | http://www.arib.or.jp/english/html/overview/doc/STD-T63v10_00/2_T63/ARIB-STD-T63/Rel5/23/A23207-5a0.pdf |
| CCSA | CCSA-TSD-TDD-23.207 | 5.10.0 | Published | Jun 12 | http://www.ccsa.org.cn/english/tc/files.php?docpath=/ITU-R/M.1457/M.1457-12/TDD |
| ETSI | ETSI TS 123 207 | 5.10.0 | Published | Oct 05 | http://www.etsi.org/deliver/etsi_ts/123200_123299/123207/05.10.00_60/ |

Release 6

| | | | | | |
|------|---------------------|-------|-----------|--------|---|
| ARIB | ARIB STD-T63-23.207 | 6.6.0 | Approved | Jul 13 | http://www.arib.or.jp/english/html/overview/doc/STD-T63v10_00/2_T63/ARIB-STD-T63/Rel6/23/A23207-660.pdf |
| CCSA | CCSA-TSD-TDD-23.207 | 6.6.0 | Published | Jun 12 | http://www.ccsa.org.cn/english/tc/files.php?docpath=/ITU-R/M.1457/M.1457-12/TDD |
| ETSI | ETSI TS 123 207 | 6.6.0 | Published | Oct 05 | http://www.etsi.org/deliver/etsi_ts/123200_123299/123207/06.06.00_60/ |

Release 7

| | | | | | |
|------|---------------------|-------|-----------|--------|---|
| ARIB | ARIB STD-T63-23.207 | 7.0.0 | Approved | Jul 13 | http://www.arib.or.jp/english/html/overview/doc/STD-T63v10_00/2_T63/ARIB-STD-T63/Rel7/23/A23207-700.pdf |
| CCSA | CCSA-TSD-TDD-23.207 | 7.0.0 | Published | Jun 12 | http://www.ccsa.org.cn/english/tc/files.php?docpath=/ITU-R/M.1457/M.1457-12/TDD |
| ETSI | ETSI TS 123 207 | 7.0.0 | Published | Jun 07 | http://www.etsi.org/deliver/etsi_ts/123200_123299/123207/07.00.00_60/ |

Release 8

| | | | | | |
|------|---------------------|-------|-----------|--------|---|
| ARIB | ARIB STD-T63-23.207 | 8.0.0 | Approved | Jul 13 | http://www.arib.or.jp/english/html/overview/doc/STD-T63v10_00/2_T63/ARIB-STD-T63/Rel8/23/A23207-800.pdf |
| CCSA | CCSA-TSD-TDD-23.207 | 8.0.0 | Published | Jun 12 | http://www.ccsa.org.cn/english/tc/files.php?docpath=/ITU-R/M.1457/M.1457-12/TDD |
| ETSI | ETSI TS 123 207 | 8.0.0 | Published | Jan 09 | http://www.etsi.org/deliver/etsi_ts/123200_123299/123207/08.00.00_60/ |

Release 9

| | | | | | |
|------|---------------------|-------|-----------|--------|---|
| ARIB | ARIB STD-T63-23.207 | 9.0.0 | Approved | Jul 13 | http://www.arib.or.jp/english/html/overview/doc/STD-T63v10_00/2_T63/ARIB-STD-T63/Rel9/23/A23207-900.pdf |
| CCSA | CCSA-TSD-TDD-23.207 | 9.0.0 | Published | Jun 12 | http://www.ccsa.org.cn/english/tc/files.php?docpath=/ITU-R/M.1457/M.1457-12/TDD |
| ETSI | ETSI TS 123 207 | 9.0.0 | Published | Jan 10 | http://www.etsi.org/deliver/etsi_ts/123200_123299/123207/09.00.00_60/ |

Release 10

| | | | | | |
|------|---------------------|--------|-----------|--------|---|
| ARIB | ARIB STD-T63-23.207 | 10.0.0 | Approved | Jul 13 | http://www.arib.or.jp/english/html/overview/doc/STD-T63v10_00/2_T63/ARIB-STD-T63/Rel10/23/A23207-a00.pdf |
| CCSA | CCSA-TSD-TDD-23.207 | 10.0.0 | Published | Jun 12 | http://www.ccsa.org.cn/english/tc/files.php?docpath=/ITU-R/M.1457/M.1457-12/TDD |
| ETSI | ETSI TS 123 207 | 10.0.0 | Published | Mar 11 | http://www.etsi.org/deliver/etsi_ts/123200_123299/123207/10.00.00_60/ |

Release 11

| | | | | | |
|------|---------------------|--------|-----------|--------|---|
| ARIB | ARIB STD-T63-23.207 | 11.0.0 | Approved | Jul 13 | http://www.arib.or.jp/english/html/overview/doc/STD-T63v10_00/2_T63/ARIB-STD-T63/Rel11/23/A23207-b00.pdf |
| CCSA | CCSA-TSD-TDD-23.207 | 11.0.0 | Published | Jun 14 | http://www.ccsa.org.cn/english/tc/files.php?docpath=/ITU-R/M.1457/M.1457-12/TDD |
| ETSI | ETSI TS 123 207 | 11.0.0 | Published | Nov 12 | http://www.etsi.org/deliver/etsi_ts/123200_123299/123207/11.00.00_60/ |

5.3.2.13.67 TS 23.216**Single Radio Voice Call Continuity (SRVCC); Stage 2**

This Technical Specification specifies the architecture enhancements for Single Radio Voice Call Continuity (SRVCC) between E-UTRAN access and 3GPP2's 1xCS, and between E-UTRAN access and 3GPP's UTRAN/GERAN accesses and between UTRAN (HSPA) access and 3GPP's UTRAN/GERAN accesses, for Circuit Switched (CS) calls that are anchored in the IMS.

| SDO (2) | Document No. | Version | Status | Issued date | Location (1) |
|------------------|---------------------------|---------|-----------|-------------|---|
| Release 8 | | | | | |
| CCSA | CCSA-TSD-TDD-23.216 | 8.7.0 | Published | Jun 12 | http://www.ccsa.org.cn/english/tc/files.php?docpath=/ITU-R/M.1457/M.1457-12/TDD |
| ETSI | ETSI TS 123 216 | 8.8.0 | Published | Mar 12 | http://www.etsi.org/deliver/etsi_ts/123200_123299/123216/08.08.00_60/ |
| TTC | TS-3GA-23.216(Rel8)v8.8.0 | 8.8.0 | Approved | Jun 12 | http://www.ttc.or.jp/j/document_list/free/3gpps2012/TS/TS-3GA-23.216(Rel8)v8.8.0.pdf |
| Release 9 | | | | | |

| | | | | | |
|-------------------|-----------------------------|---------|-----------|--------|---|
| CCSA | CCSA-TSD-TDD-23.216 | 9.8.0 | Published | Jun 12 | http://www.ccsa.org.cn/english/tc/files.php?docpath=/ITU-R/M.1457/M.1457-12/TDD |
| ETSI | ETSI TS 123 216 | 9.9.0 | Published | Mar 12 | http://www.etsi.org/deliver/etsi_ts/123200_123299/123216/09.09.00_60/ |
| TTC | TS-3GA-23.216(Rel9)v9.9.0 | 9.9.0 | Approved | Jun 12 | http://www.ttc.or.jp/j/document_list/free/3gpps2012/TS/TS-3GA-23.216(Rel9)v9.9.0.pdf |
| Release 10 | | | | | |
| CCSA | CCSA-TSD-TDD-23.216 | 10.2.0 | Published | Jun 12 | http://www.ccsa.org.cn/english/tc/files.php?docpath=/ITU-R/M.1457/M.1457-12/TDD |
| ETSI | ETSI TS 123 216 | 10.5.0 | Published | Jan 13 | http://www.etsi.org/deliver/etsi_ts/123200_123299/123216/10.05.00_60/ |
| TTC | TS-3GA-23.216(Rel10)v10.5.0 | 10.5.0 | Approved | Jun 13 | http://www.ttc.or.jp/j/document_list/free/3gpps2013/TS/TS-3GA-23.216(Rel10)v10.5.0.pdf |
| Release 11 | | | | | |
| CCSA | CCSA-TSD-TDD-23.216 | 11.11.0 | Published | Jun 14 | http://www.ccsa.org.cn/english/tc/files.php?docpath=/ITU-R/M.1457/M.1457-12/TDD |
| ETSI | ETSI TS 123 216 | 11.8.0 | Published | Apr 13 | http://www.etsi.org/deliver/etsi_ts/123200_123299/123216/11.08.00_60/ |
| TTC | TS-3GA-23.216(Rel11)v11.8.0 | 11.8.0 | Approved | Jun 13 | http://www.ttc.or.jp/j/document_list/free/3gpps2013/TS/TS-3GA-23.216(Rel11)v11.8.0.pdf |

5.3.2.13.68 TS 23.221

Architectural requirements

This document covers the architectural requirements for 3GPP systems based on UTRAN, E-UTRAN and Iu mode GERAN. In particular it details the high level requirements for the Circuit Switched (CS) Domain and the stage 2 procedures that span more than one domain/subsystem. The reference model to which these procedures apply can be found within TS 23.002. In addition, A mode to Iu mode handover for CS services is addressed. Detailed architectural requirements within the subsystems are contained within the remainder of the 23 series of specifications e.g. the requirements for the Packet Switched (PS) domain are contained within TS 23.060, TS 23.401 and the requirements for the Bearer Independent CS Core Network are contained in TS 23.205.

| SDO (2) | Document No. | Version | Status | Issued date | Location (1) |
|------------------|----------------------------|---------|-----------|-------------|---|
| Release 4 | | | | | |
| CCSA | CCSA-TSD-TDD-23.221 | 4.2.0 | Published | Jun 12 | http://www.ccsa.org.cn/english/tc/files.php?docpath=/ITU-R/M.1457/M.1457-12/TDD |
| ETSI | ETSI TS 123 221 | 4.2.0 | Published | Jun 02 | http://www.etsi.org/deliver/etsi_ts/123200_123299/123221/04.02.00_60/ |
| TTC | TS-3GA-23.221(Rel4)v4.2.0 | 4.2.0 | Approved | Aug 02 | http://www.ttc.or.jp/j/document_list/free/TS/TS-3GA-23.221(Rel4)v4.2.0.pdf |
| Release 5 | | | | | |
| CCSA | CCSA-TSD-TDD-23.221 | 5.11.0 | Published | Jun 12 | http://www.ccsa.org.cn/english/tc/files.php?docpath=/ITU-R/M.1457/M.1457-12/TDD |
| ETSI | ETSI TS 123 221 | 5.11.0 | Published | Oct 04 | http://www.etsi.org/deliver/etsi_ts/123200_123299/123221/05.11.00_60/ |
| TTC | TS-3GA-23.221(Rel5)v5.11.0 | 5.11.0 | Approved | Nov 04 | http://www.ttc.or.jp/j/document_list/free/TS/TS-3GA-23.221(Rel5)v5.11.0.pdf |
| Release 6 | | | | | |
| CCSA | CCSA-TSD-TDD-23.221 | 6.3.0 | Published | Jun 12 | http://www.ccsa.org.cn/english/tc/files.php?docpath=/ITU-R/M.1457/M.1457-12/TDD |
| ETSI | ETSI TS 123 221 | 6.3.0 | Published | Jan 05 | http://www.etsi.org/deliver/etsi_ts/123200_123299/123221/06.03.00_60/ |
| TTC | TS-3GA-23.221(Rel6)v6.3.0 | 6.3.0 | Approved | Mar 05 | http://www.ttc.or.jp/j/document_list/free/TS/TS-3GA-23.221(Rel6)v6.3.0.pdf |
| Release 7 | | | | | |
| CCSA | CCSA-TSD-TDD-23.221 | 7.2.0 | Published | Jun 12 | http://www.ccsa.org.cn/english/tc/files.php?docpath=/ITU-R/M.1457/M.1457-12/TDD |
| ETSI | ETSI TS 123 221 | 7.2.0 | Published | Jan 08 | http://www.etsi.org/deliver/etsi_ts/123200_123299/123221/07.02.00_60/ |
| TTC | TS-3GA-23.221(Rel7)v7.2.0 | 7.2.0 | Approved | Feb 09 | http://www.ttc.or.jp/j/document_list/free/3gpps2009/TS/TS-3GA-23.221(Rel7)v7.2.0.pdf |
| Release 8 | | | | | |
| CCSA | CCSA-TSD-TDD-23.221 | 8.8.0 | Published | Jun 12 | http://www.ccsa.org.cn/english/tc/files.php?docpath=/ITU-R/M.1457/M.1457-12/TDD |
| ETSI | ETSI TS 123 221 | 8.9.0 | Published | Jan 13 | http://www.etsi.org/deliver/etsi_ts/123200_123299/123221/08.09.00_60/ |

| | | | | | |
|-------------------|-----------------------------|--------|-----------|--------|---|
| TTC | TS-3GA-23.221(Rel8)v8.9.0 | 8.9.0 | Approved | Jun 13 | http://www.ttc.or.jp/j/document_list/free/3gpps2013/TS/TS-3GA-23.221(Rel8)v8.9.0.pdf |
| Release 9 | | | | | |
| CCSA | CCSA-TSD-TDD-23.221 | 9.4.0 | Published | Jun 12 | http://www.ccsa.org.cn/english/tc/files.php?docpath=/ITU-R/M.1457/M.1457-12/TDD |
| ETSI | ETSI TS 123 221 | 9.5.0 | Published | Jan 13 | http://www.etsi.org/deliver/etsi_ts/123200_123299/123221/09.05.00_60/ |
| TTC | TS-3GA-23.221(Rel9)v9.5.0 | 9.5.0 | Approved | Jun 13 | http://www.ttc.or.jp/j/document_list/free/3gpps2013/TS/TS-3GA-23.221(Rel9)v9.5.0.pdf |
| Release 10 | | | | | |
| CCSA | CCSA-TSD-TDD-23.221 | 10.1.0 | Published | Jun 12 | http://www.ccsa.org.cn/english/tc/files.php?docpath=/ITU-R/M.1457/M.1457-12/TDD |
| ETSI | ETSI TS 123 221 | 10.2.0 | Published | Jan 13 | http://www.etsi.org/deliver/etsi_ts/123200_123299/123221/10.02.00_60/ |
| TTC | TS-3GA-23.221(Rel10)v10.2.0 | 10.2.0 | Approved | Jun 13 | http://www.ttc.or.jp/j/document_list/free/3gpps2013/TS/TS-3GA-23.221(Rel10)v10.2.0.pdf |
| Release 11 | | | | | |
| CCSA | CCSA-TSD-TDD-23.221 | 11.3.0 | Published | Jun 14 | http://www.ccsa.org.cn/english/tc/files.php?docpath=/ITU-R/M.1457/M.1457-12/TDD |
| ETSI | ETSI TS 123 221 | 11.1.0 | Published | Jan 13 | http://www.etsi.org/deliver/etsi_ts/123200_123299/123221/11.01.00_60/ |
| TTC | TS-3GA-23.221(Rel11)v11.1.0 | 11.1.0 | Approved | Jun 13 | http://www.ttc.or.jp/j/document_list/free/3gpps2013/TS/TS-3GA-23.221(Rel11)v11.1.0.pdf |

5.3.2.13.69 TS 23.226

Global text telephony (GTT); Stage 2

This 3GPP Technical Specification defines the stage 2 description of the real time Text Conversation Feature called Global Text Telephony, GTT. GTT Stage 2 identifies the functional capabilities needed to support the service described in GTT Stage 1.

This TS contains the core functions for a real time Text Conversation Feature GTT, to be used in combination with other media in conversational services. GTT offers real time conversation in text, to be used alone or in combination with other conversational media, and interworking with current and emerging text conversation features in the fixed networks and other mobile networks.

GTT uses a number of functional entities to realize the requirements of the stage 1 description (TS 22.226). This TS describes how the service requirements are realized with these functional entities. As far as possible existing protocols shall be used for the realization of the Global Text Telephony Feature. This may include e.g. SIP, 3G.324, or Circuit Switched Voice service as protocol environments, and CTM, AL1 and RTP/text as transmission protocols. It also means usage of existing text presentation format ITU_T Recommendation T.140, common to all GTT text conversation environments.

| SDO (2) | Document No. | Version | Status | Issued date | Location (1) |
|------------------|---------------------------|---------|-----------|-------------|---|
| Release 5 | | | | | |
| CCSA | CCSA-TSD-TDD-23.226 | 5.2.0 | Published | Jun 12 | http://www.ccsa.org.cn/english/tc/files.php?docpath=/ITU-R/M.1457/M.1457-12/TDD |
| ETSI | ETSI TS 123 226 | 5.2.0 | Published | Apr 02 | http://www.etsi.org/deliver/etsi_ts/123200_123299/123226/05.02.00_60/ |
| TTC | TS-3GA-23.226(Rel5)v5.2.0 | 5.2.0 | Approved | May 02 | http://www.ttc.or.jp/j/document_list/free/TS/TS-3GA-23.226(Rel5)v5.2.0.pdf |
| Release 6 | | | | | |
| CCSA | CCSA-TSD-TDD-23.226 | 6.0.0 | Published | Jun 12 | http://www.ccsa.org.cn/english/tc/files.php?docpath=/ITU-R/M.1457/M.1457-12/TDD |
| ETSI | ETSI TS 123 226 | 6.0.0 | Published | Jan 05 | http://www.etsi.org/deliver/etsi_ts/123200_123299/123226/06.00.00_60/ |
| TTC | TS-3GA-23.226(Rel6)v6.0.0 | 6.0.0 | Approved | Mar 05 | http://www.ttc.or.jp/j/document_list/free/TS/TS-3GA-23.226(Rel6)v6.0.0.pdf |
| Release 7 | | | | | |
| CCSA | CCSA-TSD-TDD-23.226 | 7.0.0 | Published | Jun 12 | http://www.ccsa.org.cn/english/tc/files.php?docpath=/ITU-R/M.1457/M.1457-12/TDD |
| ETSI | ETSI TS 123 226 | 7.0.0 | Published | Jul 07 | http://www.etsi.org/deliver/etsi_ts/123200_123299/123226/07.00.00_60/ |
| TTC | TS-3GA-23.226(Rel7)v7.0.0 | 7.0.0 | Approved | Mar 08 | http://www.ttc.or.jp/j/document_list/free/TS/TS-3GA-23.226(Rel7)v7.0.0.pdf |

Release 8

| | | | | | |
|------|---------------------------|-------|-----------|--------|---|
| CCSA | CCSA-TSD-TDD-23.226 | 8.0.0 | Published | Jun 12 | http://www.ccsa.org.cn/english/tc/files.php?docpath=/ITU-R/M.1457/M.1457-12/TDD |
| ETSI | ETSI TS 123 226 | 8.0.0 | Published | Jan 09 | http://www.etsi.org/deliver/etsi_ts/123200_123299/123226/08.00.00_60/ |
| TTC | TS-3GA-23.226(Rel8)v8.0.0 | 8.0.0 | Approved | Feb 09 | http://www.ttc.or.jp/j/document_list/free/3gpps2009/TS/TS-3GA-23.226(Rel8)v8.0.0.pdf |

Release 9

| | | | | | |
|------|---------------------------|-------|-----------|--------|---|
| CCSA | CCSA-TSD-TDD-23.226 | 9.0.0 | Published | Jun 12 | http://www.ccsa.org.cn/english/tc/files.php?docpath=/ITU-R/M.1457/M.1457-12/TDD |
| ETSI | ETSI TS 123 226 | 9.0.0 | Published | Jan 10 | http://www.etsi.org/deliver/etsi_ts/123200_123299/123226/09.00.00_60/ |
| TTC | TS-3GA-23.226(Rel9)v9.0.0 | 9.0.0 | Approved | Jul 10 | http://www.ttc.or.jp/j/document_list/free/3gpps2010/TS/TS-3GA-23.226(Rel9)v9.0.0.pdf |

Release 10

| | | | | | |
|------|-----------------------------|--------|-----------|--------|---|
| CCSA | CCSA-TSD-TDD-23.226 | 10.0.0 | Published | Jun 12 | http://www.ccsa.org.cn/english/tc/files.php?docpath=/ITU-R/M.1457/M.1457-12/TDD |
| ETSI | ETSI TS 123 226 | 10.0.0 | Published | Mar 11 | http://www.etsi.org/deliver/etsi_ts/123200_123299/123226/10.00.00_60/ |
| TTC | TS-3GA-23.226(Rel10)v10.0.0 | 10.0.0 | Approved | Jun 11 | http://www.ttc.or.jp/j/document_list/free/3gpps2011/TS/TS-3GA-23.226(Rel10)v10.0.0.pdf |

Release 11

| | | | | | |
|------|-----------------------------|--------|-----------|--------|---|
| CCSA | CCSA-TSD-TDD-23.226 | 11.0.0 | Published | Jun 14 | http://www.ccsa.org.cn/english/tc/files.php?docpath=/ITU-R/M.1457/M.1457-12/TDD |
| ETSI | ETSI TS 123 226 | 11.0.0 | Published | Sep 12 | http://www.etsi.org/deliver/etsi_ts/123200_123299/123226/11.00.00_60/ |
| TTC | TS-3GA-23.226(Rel11)v11.0.0 | 11.0.0 | Approved | Jun 13 | http://www.ttc.or.jp/j/document_list/free/3gpps2013/TS/TS-3GA-23.226(Rel11)v11.0.0.pdf |

5.3.2.13.70 TS 23.228**IP Multimedia Subsystem (IMS); Stage 2**

This specifications describes the architectural requirement for an IP Multimedia Components incorporated in an UMTS System as well as second generation systems for GSM inside the core network and identify relevant interfaces to the existing system and the new one in between the new components incorporated.

| SDO (2) | Document No. | Version | Status | Issued date | Location (1) |
|------------------|----------------------------|---------|-----------|-------------|---|
| Release 5 | | | | | |
| ARIB | ARIB STD-T63-23.228 | 5.15.0 | Approved | Jul 13 | http://www.arib.or.jp/english/html/overview/doc/STD-T63v10_00/2_T63/ARIB-STD-T63/Rel5/23/A23228-5f0.pdf |
| CCSA | CCSA-TSD-TDD-23.228 | 5.15.0 | Published | Aug 06 | http://www.ccsa.org.cn/english/tc/files.php?docpath=/ITU-R/M.1457/M.1457-12/TDD |
| ETSI | ETSI TS 123 228 | 5.15.0 | Published | Aug 06 | http://www.etsi.org/deliver/etsi_ts/123200_123299/123228/05.15.00_60/ |
| TTC | TS-3GA-23.228(Rel5)v5.15.0 | 5.15.0 | Approved | Mar 07 | http://www.ttc.or.jp/j/document_list/free/TS/TS-3GA-23.228(Rel5)v5.15.0.pdf |
| Release 6 | | | | | |
| ARIB | ARIB STD-T63-23.228 | 6.16.0 | Approved | Jul 13 | http://www.arib.or.jp/english/html/overview/doc/STD-T63v10_00/2_T63/ARIB-STD-T63/Rel6/23/A23228-6g0.pdf |
| CCSA | CCSA-TSD-TDD-23.228 | 6.16.0 | Published | Mar 07 | http://www.ccsa.org.cn/english/tc/files.php?docpath=/ITU-R/M.1457/M.1457-12/TDD |
| ETSI | ETSI TS 123 228 | 6.16.0 | Published | Mar 07 | http://www.etsi.org/deliver/etsi_ts/123200_123299/123228/06.16.00_60/ |
| TTC | TS-3GA-23.228(Rel6)v6.16.0 | 6.16.0 | Approved | Feb 09 | http://www.ttc.or.jp/j/document_list/free/3gpps2009/TS/TS-3GA-23.228(Rel6)v6.16.0.pdf |
| Release 7 | | | | | |
| ARIB | ARIB STD-T63-23.228 | 7.16.0 | Approved | Jul 13 | http://www.arib.or.jp/english/html/overview/doc/STD-T63v10_00/2_T63/ARIB-STD-T63/Rel7/23/A23228-7g0.pdf |
| CCSA | CCSA-TSD-TDD-23.228 | 7.16.0 | Published | Mar 10 | http://www.ccsa.org.cn/english/tc/files.php?docpath=/ITU-R/M.1457/M.1457-12/TDD |
| ETSI | ETSI TS 123 228 | 7.16.0 | Published | Jan 10 | http://www.etsi.org/deliver/etsi_ts/123200_123299/123228/07.16.00_60/ |
| TTC | TS-3GA-23.228(Rel7)v7.16.0 | 7.16.0 | Approved | Apr 10 | http://www.ttc.or.jp/j/document_list/free/3gpps2010/TS/TS-3GA-23.228(Rel7)v7.16.0.pdf |
| Release 8 | | | | | |
| ARIB | ARIB STD-T63-23.228 | 8.12.0 | Approved | Jul 13 | http://www.arib.or.jp/english/html/overview/doc/STD-T63v10_00/2_T63/ARIB-STD-T63/Rel8/23/A23228-8c0.pdf |

| | | | | | |
|-------------------|-----------------------------|---------|-----------|--------|---|
| CCSA | CCSA-TSD-TDD-23.228 | 8.12.0 | Published | Mar 10 | http://www.ccsa.org.cn/english/tc/files.php?docpath=/ITU-R/M.1457/M.1457-12/TDD |
| ETSI | ETSI TS 123 228 | 8.12.0 | Published | Mar 10 | http://www.etsi.org/deliver/etsi_ts/123200_123299/123228/08.12.00_60/ |
| TTC | TS-3GA-23.228(Rel8)v8.12.0 | 8.12.0 | Approved | Jul 10 | http://www.ttc.or.jp/j/document_list/free/3gpps2010/TS/TS-3GA-23.228(Rel8)v8.12.0.pdf |
| Release 9 | | | | | |
| ARIB | ARIB STD-T63-23.228 | 9.4.0 | Approved | Jul 13 | http://www.arib.or.jp/english/html/overview/doc/STD-T63v10_00/2_T63/ARIB-STD-T63/Rel9/23/A23228-940.pdf |
| CCSA | CCSA-TSD-TDD-23.228 | 9.4.0 | Published | Jun 12 | http://www.ccsa.org.cn/english/tc/files.php?docpath=/ITU-R/M.1457/M.1457-12/TDD |
| ETSI | ETSI TS 123 228 | 9.4.0 | Published | Oct 10 | http://www.etsi.org/deliver/etsi_ts/123200_123299/123228/09.04.00_60/ |
| TTC | TS-3GA-23.228(Rel9)v9.4.0 | 9.4.0 | Approved | Dec 10 | http://www.ttc.or.jp/j/document_list/free/3gpps2010/TS/TS-3GA-23.228(Rel9)v9.4.0.pdf |
| Release 10 | | | | | |
| ARIB | ARIB STD-T63-23.228 | 10.7.0 | Approved | Jul 13 | http://www.arib.or.jp/english/html/overview/doc/STD-T63v10_00/2_T63/ARIB-STD-T63/Rel10/23/A23228-a70.pdf |
| CCSA | CCSA-TSD-TDD-23.228 | 10.7.0 | Published | Jun 12 | http://www.ccsa.org.cn/english/tc/files.php?docpath=/ITU-R/M.1457/M.1457-12/TDD |
| ETSI | ETSI TS 123 228 | 10.7.0 | Published | Jan 12 | http://www.etsi.org/deliver/etsi_ts/123200_123299/123228/10.07.00_60/ |
| TTC | TS-3GA-23.228(Rel10)v10.7.0 | 10.7.0 | Approved | Feb 12 | http://www.ttc.or.jp/j/document_list/free/3gpps2012/TS/TS-3GA-23.228(Rel10)v10.7.0.pdf |
| Release 11 | | | | | |
| ARIB | ARIB STD-T63-23.228 | 11.7.0 | Approved | Jul 13 | http://www.arib.or.jp/english/html/overview/doc/STD-T63v10_00/2_T63/ARIB-STD-T63/Rel11/23/A23228-b70.pdf |
| CCSA | CCSA-TSD-TDD-23.228 | 11.10.0 | Published | Jun 14 | http://www.ccsa.org.cn/english/tc/files.php?docpath=/ITU-R/M.1457/M.1457-12/TDD |
| ETSI | ETSI TS 123 228 | 11.7.0 | Published | Jan 13 | http://www.etsi.org/deliver/etsi_ts/123200_123299/123228/11.07.00_60/ |
| TTC | TS-3GA-23.228(Rel11)v11.7.0 | 11.7.0 | Approved | Jun 13 | http://www.ttc.or.jp/j/document_list/free/3gpps2013/TS/TS-3GA-23.228(Rel11)v11.7.0.pdf |

5.3.2.13.71 TS 23.234

3GPP system to Wireless Local Area Network (WLAN) interworking; System description

This document specifies system description for interworking between 3GPP systems and Wireless Local Area Networks (WLANs), which extends 3GPP services and functionality to the WLAN access environment. It is not limited to WLAN technologies, but also valid for other IP based Access Networks that support the same capabilities towards the interworking system as WLAN does.

| SDO (2) | Document No. | Version | Status | Issued date | Location (1) |
|------------------|----------------------------|---------|-----------|-------------|---|
| Release 5 | | | | | |
| CCSA | CCSA-TSD-TDD-23.234 | 5.2.0 | Published | Jun 12 | http://www.ccsa.org.cn/english/tc/files.php?docpath=/ITU-R/M.1457/M.1457-12/TDD |
| Release 6 | | | | | |
| CCSA | CCSA-TSD-TDD-23.234 | 6.0.0 | Published | Jun 12 | http://www.ccsa.org.cn/english/tc/files.php?docpath=/ITU-R/M.1457/M.1457-12/TDD |
| ETSI | ETSI TS 123 234 | 6.10.0 | Published | Oct 06 | http://www.etsi.org/deliver/etsi_ts/123200_123299/123234/06.10.00_60/ |
| TTC | TS-3GA-23.234(Rel6)v6.10.0 | 6.10.0 | Approved | Mar 08 | http://www.ttc.or.jp/j/document_list/free/TS/TS-3GA-23.234(Rel6)v6.10.0.pdf |
| Release 7 | | | | | |
| CCSA | CCSA-TSD-TDD-23.234 | 7.0.0 | Published | Jun 12 | http://www.ccsa.org.cn/english/tc/files.php?docpath=/ITU-R/M.1457/M.1457-12/TDD |
| ETSI | ETSI TS 123 234 | 7.7.0 | Published | Jun 08 | http://www.etsi.org/deliver/etsi_ts/123200_123299/123234/07.07.00_60/ |
| TTC | TS-3GA-23.234(Rel7)v7.7.0 | 7.7.0 | Approved | Feb 09 | http://www.ttc.or.jp/j/document_list/free/3gpps2009/TS/TS-3GA-23.234(Rel7)v7.7.0.pdf |
| Release 8 | | | | | |
| CCSA | CCSA-TSD-TDD-23.234 | 8.0.0 | Published | Jun 12 | http://www.ccsa.org.cn/english/tc/files.php?docpath=/ITU-R/M.1457/M.1457-12/TDD |
| ETSI | ETSI TS 123 234 | 8.0.0 | Published | Apr 09 | http://www.etsi.org/deliver/etsi_ts/123200_123299/123234/08.00.00_60/ |
| TTC | TS-3GA-23.234(Rel8)v8.0.0 | 8.0.0 | Approved | Feb 09 | http://www.ttc.or.jp/j/document_list/free/3gpps2009/TS/TS-3GA-23.234(Rel8)v8.0.0.pdf |
| Release 9 | | | | | |

| | | | | | |
|-------------------|-----------------------------|---------|-----------|--------|---|
| CCSA | CCSA-TSD-TDD-23.234 | 9.0.0 | Published | Jun 12 | http://www.ccsa.org.cn/english/tc/files.php?docpath=/ITU-R/M.1457/M.1457-12/TDD |
| ETSI | ETSI TS 123 234 | 9.0.0 | Published | Jan 10 | http://www.etsi.org/deliver/etsi_ts/123200_123299/123234/09.00.00_60/ |
| TTC | TS-3GA-23.234(Rel9)v9.0.0 | 9.0.0 | Approved | Jul 10 | http://www.ttc.or.jp/j/document_list/free/3gpps2010/TS/TS-3GA-23.234(Rel9)v9.0.0.pdf |
| Release 10 | | | | | |
| CCSA | CCSA-TSD-TDD-23.234 | 10.0.0 | Published | Jun 12 | http://www.ccsa.org.cn/english/tc/files.php?docpath=/ITU-R/M.1457/M.1457-12/TDD |
| ETSI | ETSI TS 123 234 | 10.0.0 | Published | Mar 11 | http://www.etsi.org/deliver/etsi_ts/123200_123299/123234/10.00.00_60/ |
| TTC | TS-3GA-23.234(Rel10)v10.0.0 | 10.0.0 | Approved | Jun 11 | http://www.ttc.or.jp/j/document_list/free/3gpps2011/TS/TS-3GA-23.234(Rel10)v10.0.0.pdf |
| Release 11 | | | | | |
| CCSA | CCSA-TSD-TDD-23.234 | 11.10.0 | Published | Jun 14 | http://www.ccsa.org.cn/english/tc/files.php?docpath=/ITU-R/M.1457/M.1457-12/TDD |
| ETSI | ETSI TS 123 234 | 11.0.0 | Published | Sep 12 | http://www.etsi.org/deliver/etsi_ts/123200_123299/123234/11.00.00_60/ |
| TTC | TS-3GA-23.234(Rel11)v11.0.0 | 11.0.0 | Approved | Jun 13 | http://www.ttc.or.jp/j/document_list/free/3gpps2013/TS/TS-3GA-23.234(Rel11)v11.0.0.pdf |

5.3.2.13.72 TS 23.236

Intra-domain connection of Radio Access Network (RAN) nodes to multiple Core Network (CN) nodes

UMTS will build on the success of GSM and is likely to become even more widespread, increasing the importance of a flexible network structure to permit the different operational configurations in which these networks will be deployed. The requirements to have a RNC or BSC controlled by a single MSC server or SGSN lead to certain limitations. Allowing the BSCs and RNCs to connect to a number of MSC servers or SGSNs increases the networks performance in terms of scalability, distributing the network load amongst the serving entities, and reducing the required signalling as the user roams.

| SDO (2) | Document No. | Version | Status | Issued date | Location (1) |
|------------------|---------------------------|---------|-----------|-------------|---|
| Release 5 | | | | | |
| ARIB | ARIB STD-T63-23.236 | 5.4.0 | Approved | Jul 13 | http://www.arib.or.jp/english/html/overview/doc/STD-T63v10_00/2_T63/ARIB-STD-T63/Rel5/23/A23236-540.pdf |
| CCSA | CCSA-TSD-TDD-23.236 | 5.4.0 | Published | Jun 12 | http://www.ccsa.org.cn/english/tc/files.php?docpath=/ITU-R/M.1457/M.1457-12/TDD |
| ETSI | ETSI TS 123 236 | 5.4.0 | Published | Oct 05 | http://www.etsi.org/deliver/etsi_ts/123200_123299/123236/05.04.00_60/ |
| TTC | TS-3GA-23.236(Rel5)v5.4.0 | 5.4.0 | Approved | Nov 05 | http://www.ttc.or.jp/j/document_list/free/TS/TS-3GA-23.236(Rel5)v5.4.0.pdf |
| Release 6 | | | | | |
| ARIB | ARIB STD-T63-23.236 | 6.3.0 | Approved | Jul 13 | http://www.arib.or.jp/english/html/overview/doc/STD-T63v10_00/2_T63/ARIB-STD-T63/Rel6/23/A23236-630.pdf |
| CCSA | CCSA-TSD-TDD-23.236 | 6.3.0 | Published | Jun 12 | http://www.ccsa.org.cn/english/tc/files.php?docpath=/ITU-R/M.1457/M.1457-12/TDD |
| ETSI | ETSI TS 123 236 | 6.3.0 | Published | May 06 | http://www.etsi.org/deliver/etsi_ts/123200_123299/123236/06.03.00_60/ |
| TTC | TS-3GA-23.236(Rel6)v6.3.0 | 6.3.0 | Approved | Mar 07 | http://www.ttc.or.jp/j/document_list/free/TS/TS-3GA-23.236(Rel6)v6.3.0.pdf |
| Release 7 | | | | | |
| ARIB | ARIB STD-T63-23.236 | 7.0.0 | Approved | Jul 13 | http://www.arib.or.jp/english/html/overview/doc/STD-T63v10_00/2_T63/ARIB-STD-T63/Rel7/23/A23236-700.pdf |
| CCSA | CCSA-TSD-TDD-23.236 | 7.0.0 | Published | Jun 12 | http://www.ccsa.org.cn/english/tc/files.php?docpath=/ITU-R/M.1457/M.1457-12/TDD |
| ETSI | ETSI TS 123 236 | 7.0.0 | Published | Jul 07 | http://www.etsi.org/deliver/etsi_ts/123200_123299/123236/07.00.00_60/ |
| TTC | TS-3GA-23.236(Rel7)v7.0.0 | 7.0.0 | Approved | Oct 09 | http://www.ttc.or.jp/j/document_list/free/3gpps2009/TS/TS-3GA-23.236(Rel7)v7.0.0.pdf |
| Release 8 | | | | | |
| ARIB | ARIB STD-T63-23.236 | 8.1.0 | Approved | Jul 13 | http://www.arib.or.jp/english/html/overview/doc/STD-T63v10_00/2_T63/ARIB-STD-T63/Rel8/23/A23236-810.pdf |
| CCSA | CCSA-TSD-TDD-23.236 | 8.1.0 | Published | Jun 12 | http://www.ccsa.org.cn/english/tc/files.php?docpath=/ITU-R/M.1457/M.1457-12/TDD |
| ETSI | ETSI TS 123 236 | 8.1.0 | Published | Jan 10 | http://www.etsi.org/deliver/etsi_ts/123200_123299/123236/08.01.00_60/ |
| TTC | TS-3GA-23.236(Rel8)v8.1.0 | 8.1.0 | Approved | Apr 10 | http://www.ttc.or.jp/j/document_list/free/3gpps2010/TS/TS-3GA-23.236(Rel8)v8.1.0.pdf |
| Release 9 | | | | | |
| ARIB | ARIB STD-T63-23.236 | 9.0.0 | Approved | Jul 13 | http://www.arib.or.jp/english/html/overview/doc/STD-T63v10_00/2_T63/ARIB-STD-T63/Rel9/23/A23236-900.pdf |

| | | | | | |
|-------------------|---------------------------|--------|-----------|--------|---|
| CCSA | CCSA-TSD-TDD-23.236 | 9.0.0 | Published | Jun 12 | http://www.ccsa.org.cn/english/tc/files.php?docpath=/ITU-R/M.1457/M.1457-12/TDD |
| ETSI | ETSI TS 123 236 | 9.0.0 | Published | Jan 10 | http://www.etsi.org/deliver/etsi_ts/123200_123299/123236/09.00.00_60/ |
| TTC | TS-3GA-23.236(Rel9)v9.0.0 | 9.0.0 | Approved | Jul 10 | http://www.ttc.or.jp/j/document_list/free/3gpps2010/TS/TS-3GA-23.236(Rel9)v9.0.0.pdf |
| Release 10 | | | | | |
| ARIB | ARIB STD-T63-23.236 | 10.3.0 | Approved | Jul 13 | http://www.arib.or.jp/english/html/overview/doc/STD-T63v10_00/2_T63/ARIB-STD-T63/Rel10/23/A23236-a30.pdf |
| CCSA | CCSA-TSD-TDD-23.236 | 10.2.1 | Published | Jun 12 | http://www.ccsa.org.cn/english/tc/files.php?docpath=/ITU-R/M.1457/M.1457-12/TDD |
| ETSI | ETSI TS 123 236 | 10.3.0 | Published | Mar 12 | http://www.etsi.org/deliver/etsi_ts/123200_123299/123236/10.03.00_60/ |
| Release 11 | | | | | |
| ARIB | ARIB STD-T63-23.236 | 11.0.0 | Approved | Jul 13 | http://www.arib.or.jp/english/html/overview/doc/STD-T63v10_00/2_T63/ARIB-STD-T63/Rel11/23/A23236-b00.pdf |
| CCSA | CCSA-TSD-TDD-23.236 | 11.0.0 | Published | Jun 14 | http://www.ccsa.org.cn/english/tc/files.php?docpath=/ITU-R/M.1457/M.1457-12/TDD |
| ETSI | ETSI TS 123 236 | 11.0.0 | Published | Nov 12 | http://www.etsi.org/deliver/etsi_ts/123200_123299/123236/11.00.00_60/ |

5.3.2.13.73 TS 23.237

IP Multimedia Subsystem (IMS) Service Continuity; Stage 2

This document specifies the architectural requirements and procedures for delivery of IMS Service Continuity.

The scope of the specification includes:

- Access Transfer related functionality:
- PS-CS Access Transfer;
- PS-PS Access Transfer;
- PS-PS Access Transfer in conjunction with PS-CS Access Transfer;
- Adding and/or removing media flows to support service;
- MSC Server assisted mid-call feature;
- SRVCC session transfer of IMS emergency session.
- Inter UE Transfer related functionality:
- Establishment and release of a Collaborative Session;
- Addition of media flows to, modification of media flows in, and release of media flows from a Collaborative Session;
- Transfer of media flows from one UE to another;
- Transfer of the Collaborative Session Control with or without transfer of media flows;
- Transfer of all media flows to a target UE without establishing a Collaborative Session;

- Session discovery;
- Inter-UE Transfer initiated by the target UE or by the SCC AS;
- Replication of media flows by means of Inter-UE Transfer procedures;
- Authorization and other aspects to support Inter-UE Transfer across multiple IMS subscriptions.

The solution is restricted to service continuity using IMS procedures, i.e. mobility mechanisms on the IP-CAN level are not within the scope of this specification.

| SDO (2) | Document No. | Version | Status | Issued date | Location (1) |
|-------------------|------------------------------|---------|-----------|-------------|---|
| Release 8 | | | | | |
| CCSA | CCSA-TSD-TDD-23.237 | 8.7.0 | Published | Jun 12 | http://www.ccsa.org.cn/english/tc/files.php?docpath=/ITU-R/M.1457/M.1457-12/TDD |
| ETSI | ETSI TS 123 237 | 8.7.0 | Published | Mar 10 | http://www.etsi.org/deliver/etsi_ts/123200_123299/123237/08.07.00_60/ |
| TTC | TS-3GA-23.237(Rel8)v8.7.0 | 8.7.0 | Approved | Jul 10 | http://www.ttc.or.jp/j/document_list/free/3gpps2010/TS/TS-3GA-23.237(Rel8)v8.7.0.pdf |
| Release 9 | | | | | |
| CCSA | CCSA-TSD-TDD-23.237 | 9.8.0 | Published | Jun 12 | http://www.ccsa.org.cn/english/tc/files.php?docpath=/ITU-R/M.1457/M.1457-12/TDD |
| ETSI | ETSI TS 123 237 | 9.10.0 | Published | Jan 13 | http://www.etsi.org/deliver/etsi_ts/123200_123299/123237/09.10.00_60/ |
| TTC | TS-3GA-23.237(Rel9)v9.10.0 | 9.10.0 | Approved | Jun 13 | http://www.ttc.or.jp/j/document_list/free/3gpps2013/TS/TS-3GA-23.237(Rel9)v9.10.0.pdf |
| Release 10 | | | | | |
| CCSA | CCSA-TSD-TDD-23.237 | 10.8.0 | Published | Jun 12 | http://www.ccsa.org.cn/english/tc/files.php?docpath=/ITU-R/M.1457/M.1457-12/TDD |
| ETSI | ETSI TS 123 237 | 10.10.0 | Published | Jan 13 | http://www.etsi.org/deliver/etsi_ts/123200_123299/123237/10.10.00_60/ |
| TTC | TS-3GA-23.237(Rel10)v10.10.0 | 10.10.0 | Approved | Jun 13 | http://www.ttc.or.jp/j/document_list/free/3gpps2013/TS/TS-3GA-23.237(Rel10)v10.10.0.pdf |
| Release 11 | | | | | |
| CCSA | CCSA-TSD-TDD-23.237 | 11.10.0 | Published | Jun 14 | http://www.ccsa.org.cn/english/tc/files.php?docpath=/ITU-R/M.1457/M.1457-12/TDD |
| ETSI | ETSI TS 123 237 | 11.7.0 | Published | Apr 13 | http://www.etsi.org/deliver/etsi_ts/123200_123299/123237/11.07.00_60/ |
| TTC | TS-3GA-23.237(Rel11)v11.7.0 | 11.7.0 | Approved | Jun 13 | http://www.ttc.or.jp/j/document_list/free/3gpps2013/TS/TS-3GA-23.237(Rel11)v11.7.0.pdf |

5.3.2.13.74 TS 23.240

3GPP Generic User Profile (GUP); Architecture (Stage 2)

This document defines the stage 2 architecture description to the 3GPP Generic User Profile (GUP), which includes the elements necessary to realize the stage 1 requirements in TS 22.240.

This document includes the GUP reference architecture with descriptions of functional entities, and their interfaces and procedures, as well as the high-level information model for the GUP data.

| SDO (2) | Document No. | Version | Status | Issued date | Location (1) |
|------------------|---------------------------|---------|-----------|-------------|---|
| Release 6 | | | | | |
| CCSA | CCSA-TSD-TDD-23.240 | 6.7.0 | Published | Jun 12 | http://www.ccsa.org.cn/english/tc/files.php?docpath=/ITU-R/M.1457/M.1457-12/TDD |
| ETSI | ETSI TS 123 240 | 6.7.0 | Published | Apr 05 | http://www.etsi.org/deliver/etsi_ts/123200_123299/123240/06.07.00_60/ |
| TTC | TS-3GA-23.240(Rel6)v6.7.0 | 6.7.0 | Approved | Mar 08 | http://www.ttc.or.jp/j/document_list/free/TS/TS-3GA-23.240(Rel6)v6.7.0.pdf |

Release 7

| | | | | | |
|------|---------------------------|-------|-----------|--------|---|
| CCSA | CCSA-TSD-TDD-23.240 | 7.0.0 | Published | Jun 12 | http://www.ccsa.org.cn/english/tc/files.php?docpath=/ITU-R/M.1457/M.1457-12/TDD |
| ETSI | ETSI TS 123 240 | 7.0.0 | Published | Jun 07 | http://www.etsi.org/deliver/etsi_ts/123200_123299/123240/07.00.00_60/ |
| TTC | TS-3GA-23.240(Rel7)v7.0.0 | 7.0.0 | Approved | Mar 08 | http://www.ttc.or.jp/j/document_list/free/TS/TS-3GA-23.240(Rel7)v7.0.0.pdf |

Release 8

| | | | | | |
|------|---------------------------|-------|-----------|--------|---|
| CCSA | CCSA-TSD-TDD-23.240 | 8.0.0 | Published | Jun 12 | http://www.ccsa.org.cn/english/tc/files.php?docpath=/ITU-R/M.1457/M.1457-12/TDD |
| ETSI | ETSI TS 123 240 | 8.0.0 | Published | Jan 09 | http://www.etsi.org/deliver/etsi_ts/123200_123299/123240/08.00.00_60/ |
| TTC | TS-3GA-23.240(Rel8)v8.0.0 | 8.0.0 | Approved | Feb 09 | http://www.ttc.or.jp/j/document_list/free/3gpps2009/TS/TS-3GA-23.240(Rel8)v8.0.0.pdf |

Release 9

| | | | | | |
|------|---------------------------|-------|-----------|--------|---|
| CCSA | CCSA-TSD-TDD-23.240 | 9.0.0 | Published | Jun 12 | http://www.ccsa.org.cn/english/tc/files.php?docpath=/ITU-R/M.1457/M.1457-12/TDD |
| ETSI | ETSI TS 123 240 | 9.0.0 | Published | Jan 10 | http://www.etsi.org/deliver/etsi_ts/123200_123299/123240/09.00.00_60/ |
| TTC | TS-3GA-23.240(Rel9)v9.0.0 | 9.0.0 | Approved | Jul 10 | http://www.ttc.or.jp/j/document_list/free/3gpps2010/TS/TS-3GA-23.240(Rel9)v9.0.0.pdf |

Release 10

| | | | | | |
|------|-----------------------------|--------|-----------|--------|---|
| CCSA | CCSA-TSD-TDD-23.240 | 10.0.0 | Published | Jun 12 | http://www.ccsa.org.cn/english/tc/files.php?docpath=/ITU-R/M.1457/M.1457-12/TDD |
| ETSI | ETSI TS 123 240 | 10.0.0 | Published | Mar 11 | http://www.etsi.org/deliver/etsi_ts/123200_123299/123240/10.00.00_60/ |
| TTC | TS-3GA-23.240(Rel10)v10.0.0 | 10.0.0 | Approved | Jun 11 | http://www.ttc.or.jp/j/document_list/free/3gpps2011/TS/TS-3GA-23.240(Rel10)v10.0.0.pdf |

Release 11

| | | | | | |
|------|-----------------------------|--------|-----------|--------|---|
| CCSA | CCSA-TSD-TDD-23.240 | 11.0.0 | Published | Jun 14 | http://www.ccsa.org.cn/english/tc/files.php?docpath=/ITU-R/M.1457/M.1457-12/TDD |
| ETSI | ETSI TS 123 240 | 11.0.0 | Published | Sep 12 | http://www.etsi.org/deliver/etsi_ts/123200_123299/123240/11.00.00_60/ |
| TTC | TS-3GA-23.240(Rel11)v11.0.0 | 11.0.0 | Approved | Jun 13 | http://www.ttc.or.jp/j/document_list/free/3gpps2013/TS/TS-3GA-23.240(Rel11)v11.0.0.pdf |

5.3.2.13.75 TS 23.246**Multimedia Broadcast/Multicast Service (MBMS); Architecture and functional description**

This document describes the stage 2 description (architectural solution and functionalities) for the MBMS Bearer Service, which includes, together with MBMS User Services defined in TS 26.346, all the elements necessary to realize the stage 1 requirements in TS 22.146 and TS 22.246. This document encompasses both GPRS and EPS.

| SDO (2) | Document No. | Version | Status | Issued date | Location (1) |
|------------------|----------------------------|---------|-----------|-------------|---|
| Release 6 | | | | | |
| CCSA | CCSA-TSD-TDD-23.246 | 6.12.0 | Published | Jun 12 | http://www.ccsa.org.cn/english/tc/files.php?docpath=/ITU-R/M.1457/M.1457-12/TDD |
| ETSI | ETSI TS 123 246 | 6.12.0 | Published | Jun 07 | http://www.etsi.org/deliver/etsi_ts/123200_123299/123246/06.12.00_60/ |
| TTC | TS-3GA-23.246(Rel6)v6.12.0 | 6.12.0 | Approved | Mar 08 | http://www.ttc.or.jp/j/document_list/free/TS/TS-3GA-23.246(Rel6)v6.12.0.pdf |
| Release 7 | | | | | |
| CCSA | CCSA-TSD-TDD-23.246 | 7.4.0 | Published | Jun 12 | http://www.ccsa.org.cn/english/tc/files.php?docpath=/ITU-R/M.1457/M.1457-12/TDD |
| ETSI | ETSI TS 123 246 | 7.4.0 | Published | Oct 07 | http://www.etsi.org/deliver/etsi_ts/123200_123299/123246/07.04.00_60/ |
| TTC | TS-3GA-23.246(Rel7)v7.4.0 | 7.4.0 | Approved | Mar 08 | http://www.ttc.or.jp/j/document_list/free/TS/TS-3GA-23.246(Rel7)v7.4.0.pdf |
| Release 8 | | | | | |
| CCSA | CCSA-TSD-TDD-23.246 | 8.4.0 | Published | Jun 12 | http://www.ccsa.org.cn/english/tc/files.php?docpath=/ITU-R/M.1457/M.1457-12/TDD |
| ETSI | ETSI TS 123 246 | 8.4.0 | Published | Jun 09 | http://www.etsi.org/deliver/etsi_ts/123200_123299/123246/08.04.00_60/ |
| TTC | TS-3GA-23.246(Rel8)v8.4.0 | 8.4.0 | Approved | Oct 09 | http://www.ttc.or.jp/j/document_list/free/3gpps2009/TS/TS-3GA-23.246(Rel8)v8.4.0.pdf |
| Release 9 | | | | | |

| | | | | | |
|-------------------|-----------------------------|--------|-----------|--------|---|
| CCSA | CCSA-TSD-TDD-23.246 | 9.6.0 | Published | Jun 12 | http://www.ccsa.org.cn/english/tc/files.php?docpath=/ITU-R/M.1457/M.1457-12/TDD |
| ETSI | ETSI TS 123 246 | 9.6.0 | Published | Jan 12 | http://www.etsi.org/deliver/etsi_ts/123200_123299/123246/09.06.00_60/ |
| TTC | TS-3GA-23.246(Rel9)v9.6.0 | 9.6.0 | Approved | Feb 12 | http://www.ttc.or.jp/j/document_list/free/3gpps2012/TS/TS-3GA-23.246(Rel9)v9.6.0.pdf |
| Release 10 | | | | | |
| CCSA | CCSA-TSD-TDD-23.246 | 10.2.0 | Published | Jun 12 | http://www.ccsa.org.cn/english/tc/files.php?docpath=/ITU-R/M.1457/M.1457-12/TDD |
| ETSI | ETSI TS 123 246 | 10.3.0 | Published | Mar 12 | http://www.etsi.org/deliver/etsi_ts/123200_123299/123246/10.03.00_60/ |
| TTC | TS-3GA-23.246(Rel10)v10.3.0 | 10.3.0 | Approved | Jun 12 | http://www.ttc.or.jp/j/document_list/free/3gpps2012/TS/TS-3GA-23.246(Rel10)v10.3.0.pdf |
| Release 11 | | | | | |
| CCSA | CCSA-TSD-TDD-23.246 | 11.1.0 | Published | Jun 14 | http://www.ccsa.org.cn/english/tc/files.php?docpath=/ITU-R/M.1457/M.1457-12/TDD |
| ETSI | ETSI TS 123 246 | 11.1.0 | Published | Nov 12 | http://www.etsi.org/deliver/etsi_ts/123200_123299/123246/11.01.00_60/ |
| TTC | TS-3GA-23.246(Rel11)v11.1.0 | 11.1.0 | Approved | Jun 13 | http://www.ttc.or.jp/j/document_list/free/3gpps2013/TS/TS-3GA-23.246(Rel11)v11.1.0.pdf |

5.3.2.13.76 TS 23.251

Network sharing; Architecture and functional description

This document covers the details of Network Sharing for GERAN, UTRAN and E-UTRAN. It shows how several core network operators can share one radio access network and details the impacts on the network architecture. All UEs shall comply with existing requirements, among them PLMN selection and system information reception. This document also defines requirements for network-sharing supporting UEs

| SDO (2) | Document No. | Version | Status | Issued date | Location (1) |
|-------------------|-----------------------------|---------|-----------|-------------|---|
| Release 6 | | | | | |
| CCSA | CCSA-TSD-TDD-23.251 | 6.6.0 | Published | Jun 12 | http://www.ccsa.org.cn/english/tc/files.php?docpath=/ITU-R/M.1457/M.1457-12/TDD |
| ETSI | ETSI TS 123 251 | 6.6.0 | Published | May 06 | http://www.etsi.org/deliver/etsi_ts/123200_123299/123251/06.06.00_60/ |
| TTC | TS-3GA-23.251(Rel6)v6.6.0 | 6.6.0 | Approved | Mar 08 | http://www.ttc.or.jp/j/document_list/free/TS/TS-3GA-23.251(Rel6)v6.6.0.pdf |
| Release 7 | | | | | |
| CCSA | CCSA-TSD-TDD-23.251 | 7.0.0 | Published | Jun 12 | http://www.ccsa.org.cn/english/tc/files.php?docpath=/ITU-R/M.1457/M.1457-12/TDD |
| ETSI | ETSI TS 123 251 | 7.0.0 | Published | Jun 07 | http://www.etsi.org/deliver/etsi_ts/123200_123299/123251/07.00.00_60/ |
| TTC | TS-3GA-23.251(Rel7)v7.0.0 | 7.0.0 | Approved | Mar 08 | http://www.ttc.or.jp/j/document_list/free/TS/TS-3GA-23.251(Rel7)v7.0.0.pdf |
| Release 8 | | | | | |
| CCSA | CCSA-TSD-TDD-23.251 | 8.3.0 | Published | Jun 12 | http://www.ccsa.org.cn/english/tc/files.php?docpath=/ITU-R/M.1457/M.1457-12/TDD |
| ETSI | ETSI TS 123 251 | 8.4.0 | Published | Jan 13 | http://www.etsi.org/deliver/etsi_ts/123200_123299/123251/08.04.00_60/ |
| TTC | TS-3GA-23.251(Rel8)v8.4.0 | 8.4.0 | Approved | Jun 13 | http://www.ttc.or.jp/j/document_list/free/3gpps2013/TS/TS-3GA-23.251(Rel8)v8.4.0.pdf |
| Release 9 | | | | | |
| CCSA | CCSA-TSD-TDD-23.251 | 9.4.0 | Published | Jun 12 | http://www.ccsa.org.cn/english/tc/files.php?docpath=/ITU-R/M.1457/M.1457-12/TDD |
| ETSI | ETSI TS 123 251 | 9.5.0 | Published | Jan 13 | http://www.etsi.org/deliver/etsi_ts/123200_123299/123251/09.05.00_60/ |
| TTC | TS-3GA-23.251(Rel9)v9.5.0 | 9.5.0 | Approved | Jun 13 | http://www.ttc.or.jp/j/document_list/free/3gpps2013/TS/TS-3GA-23.251(Rel9)v9.5.0.pdf |
| Release 10 | | | | | |
| CCSA | CCSA-TSD-TDD-23.251 | 10.2.0 | Published | Jun 12 | http://www.ccsa.org.cn/english/tc/files.php?docpath=/ITU-R/M.1457/M.1457-12/TDD |
| ETSI | ETSI TS 123 251 | 10.5.0 | Published | Jan 13 | http://www.etsi.org/deliver/etsi_ts/123200_123299/123251/10.05.00_60/ |
| TTC | TS-3GA-23.251(Rel10)v10.5.0 | 10.5.0 | Approved | Jun 13 | http://www.ttc.or.jp/j/document_list/free/3gpps2013/TS/TS-3GA-23.251(Rel10)v10.5.0.pdf |
| Release 11 | | | | | |
| CCSA | CCSA-TSD-TDD-23.251 | 11.6.0 | Published | Jun 14 | http://www.ccsa.org.cn/english/tc/files.php?docpath=/ITU-R/M.1457/M.1457-12/TDD |
| ETSI | ETSI TS 123 251 | 11.5.0 | Published | Apr 13 | http://www.etsi.org/deliver/etsi_ts/123200_123299/123251/11.05.00_60/ |

TTC TS-3GA-23.251(Rel11)v11.5.0 11.5.0 Approved Jun 13 [http://www.ttc.or.jp/jp/document_list/free/3gpps2013/TS/TS-3GA-23.251\(Rel11\)v11.5.0.pdf](http://www.ttc.or.jp/jp/document_list/free/3gpps2013/TS/TS-3GA-23.251(Rel11)v11.5.0.pdf)

5.3.2.13.77 TS 23.261

IP flow mobility and seamless Wireless Local Area Network (WLAN) offload; Stage 2

This document specifies the Stage 2 system description for IP flow mobility between a 3GPP and a WLAN. The technical solution is based on the working principles of DSMIPv6 and it is applicable to both the Evolved Packet System and the I-WLAN mobility architecture. The specification covers the system description of seamless WLAN offload and IP flow mobility between 3GPP and WLAN as well as the respective interactions with the PCC and ANDSF frameworks. The system description for non-seamless WLAN offload is covered in 3GPP TS 23.402. This document specifies also the detailed extensions to S2c and H1 reference points for IP flow mobility. The extensions to the PCC and to the ANDSF framework are specified respectively in 3GPP TS 23.203 and in 3GPP TS 23.402.

| SDO (2) | Document No. | Version | Status | Issued date | Location (1) |
|-------------------|-----------------------------|---------|-----------|-------------|---|
| Release 10 | | | | | |
| CCSA | CCSA-TSD-TDD-23.261 | 10.1.0 | Published | Jun 12 | http://www.ccsa.org.cn/english/tc/files.php?docpath=/ITU-R/M.1457/M.1457-12/TDD |
| ETSI | ETSI TS 123 261 | 10.2.0 | Published | Mar 12 | http://www.etsi.org/deliver/etsi_ts/123200_123299/123261/10.02.00_60/ |
| TTC | TS-3GA-23.261(Rel10)v10.2.0 | 10.2.0 | Approved | Jun 12 | http://www.ttc.or.jp/j/document_list/free/3gpps2012/TS/TS-3GA-23.261(Rel10)v10.2.0.pdf |
| Release 11 | | | | | |
| CCSA | CCSA-TSD-TDD-23.261 | 11.0.0 | Published | Jun 14 | http://www.ccsa.org.cn/english/tc/files.php?docpath=/ITU-R/M.1457/M.1457-12/TDD |
| ETSI | ETSI TS 123 261 | 11.0.0 | Published | Sep 12 | http://www.etsi.org/deliver/etsi_ts/123200_123299/123261/11.00.00_60/ |
| TTC | TS-3GA-23.261(Rel11)v11.0.0 | 11.0.0 | Approved | Jun 13 | http://www.ttc.or.jp/j/document_list/free/3gpps2013/TS/TS-3GA-23.261(Rel11)v11.0.0.pdf |

5.3.2.13.78 TS 23.271

Functional stage 2 description of Location Services (LCS)

This document specifies the stage 2 of the Location Services (LCS) feature in UMTS, GSM and EPS (for E-UTRAN), which provides the mechanisms to support mobile location services for operators, subscribers and third party service providers.

| SDO (2) | Document No. | Version | Status | Issued date | Location (1) |
|------------------|----------------------------|---------|-----------|-------------|---|
| Release 4 | | | | | |
| CCSA | CCSA-TSD-TDD-23.271 | 4.13.0 | Published | Jun 12 | http://www.ccsa.org.cn/english/tc/files.php?docpath=/ITU-R/M.1457/M.1457-12/TDD |
| ETSI | ETSI TS 123 271 | 4.13.0 | Published | Jan 05 | http://www.etsi.org/deliver/etsi_ts/123200_123299/123271/04.13.00_60/ |
| TTC | TS-3GA-23.271(Rel4)v4.13.0 | 4.13.0 | Approved | Mar 05 | http://www.ttc.or.jp/j/document_list/free/TS/TS-3GA-23.271(Rel4)v4.13.0.pdf |
| Release 5 | | | | | |
| CCSA | CCSA-TSD-TDD-23.271 | 5.13.0 | Published | Jun 12 | http://www.ccsa.org.cn/english/tc/files.php?docpath=/ITU-R/M.1457/M.1457-12/TDD |
| ETSI | ETSI TS 123 271 | 5.13.0 | Published | Jan 05 | http://www.etsi.org/deliver/etsi_ts/123200_123299/123271/05.13.00_60/ |
| TTC | TS-3GA-23.271(Rel5)v5.13.0 | 5.13.0 | Approved | Mar 05 | http://www.ttc.or.jp/j/document_list/free/TS/TS-3GA-23.271(Rel5)v5.13.0.pdf |
| Release 6 | | | | | |
| CCSA | CCSA-TSD-TDD-23.271 | 6.13.0 | Published | Jun 12 | http://www.ccsa.org.cn/english/tc/files.php?docpath=/ITU-R/M.1457/M.1457-12/TDD |
| ETSI | ETSI TS 123 271 | 6.13.0 | Published | Oct 05 | http://www.etsi.org/deliver/etsi_ts/123200_123299/123271/06.13.00_60/ |

| | | | | | |
|-------------------|-----------------------------|--------|-----------|--------|---|
| TTC | TS-3GA-23.271(Rel6)v6.13.0 | 6.13.0 | Approved | Nov 05 | http://www.ttc.or.jp/j/document_list/free/TS/TS-3GA-23.271(Rel6)v6.13.0.pdf |
| Release 7 | | | | | |
| CCSA | CCSA-TSD-TDD-23.271 | 7.10.0 | Published | Jun 12 | http://www.ccsa.org.cn/english/tc/files.php?docpath=/ITU-R/M.1457/M.1457-12/TDD |
| ETSI | ETSI TS 123 271 | 7.10.0 | Published | Jan 10 | http://www.etsi.org/deliver/etsi_ts/123200_123299/123271/07.10.00_60/ |
| TTC | TS-3GA-23.271(Rel7)v7.10.0 | 7.10.0 | Approved | Apr 10 | http://www.ttc.or.jp/j/document_list/free/3gpps2010/TS/TS-3GA-23.271(Rel7)v7.10.0.pdf |
| Release 8 | | | | | |
| CCSA | CCSA-TSD-TDD-23.271 | 8.1.0 | Published | Jun 12 | http://www.ccsa.org.cn/english/tc/files.php?docpath=/ITU-R/M.1457/M.1457-12/TDD |
| ETSI | ETSI TS 123 271 | 8.1.0 | Published | Jan 10 | http://www.etsi.org/deliver/etsi_ts/123200_123299/123271/08.01.00_60/ |
| TTC | TS-3GA-23.271(Rel8)v8.1.0 | 8.1.0 | Approved | Apr 10 | http://www.ttc.or.jp/j/document_list/free/3gpps2010/TS/TS-3GA-23.271(Rel8)v8.1.0.pdf |
| Release 9 | | | | | |
| CCSA | CCSA-TSD-TDD-23.271 | 9.6.0 | Published | Jun 12 | http://www.ccsa.org.cn/english/tc/files.php?docpath=/ITU-R/M.1457/M.1457-12/TDD |
| ETSI | ETSI TS 123 271 | 9.8.0 | Published | Apr 13 | http://www.etsi.org/deliver/etsi_ts/123200_123299/123271/09.08.00_60/ |
| TTC | TS-3GA-23.271(Rel9)v9.8.0 | 9.8.0 | Approved | Jun 13 | http://www.ttc.or.jp/j/document_list/free/3gpps2013/TS/TS-3GA-23.271(Rel9)v9.8.0.pdf |
| Release 10 | | | | | |
| CCSA | CCSA-TSD-TDD-23.271 | 10.2.0 | Published | Jun 12 | http://www.ccsa.org.cn/english/tc/files.php?docpath=/ITU-R/M.1457/M.1457-12/TDD |
| ETSI | ETSI TS 123 271 | 10.4.0 | Published | Apr 13 | http://www.etsi.org/deliver/etsi_ts/123200_123299/123271/10.04.00_60/ |
| TTC | TS-3GA-23.271(Rel10)v10.4.0 | 10.4.0 | Approved | Jun 13 | http://www.ttc.or.jp/j/document_list/free/3gpps2013/TS/TS-3GA-23.271(Rel10)v10.4.0.pdf |
| Release 11 | | | | | |
| CCSA | CCSA-TSD-TDD-23.271 | 11.3.0 | Published | Jun 14 | http://www.ccsa.org.cn/english/tc/files.php?docpath=/ITU-R/M.1457/M.1457-12/TDD |
| ETSI | ETSI TS 123 271 | 11.2.0 | Published | Apr 13 | http://www.etsi.org/deliver/etsi_ts/123200_123299/123271/11.02.00_60/ |
| TTC | TS-3GA-23.271(Rel11)v11.2.0 | 11.2.0 | Approved | Jun 13 | http://www.ttc.or.jp/j/document_list/free/3gpps2013/TS/TS-3GA-23.271(Rel11)v11.2.0.pdf |

5.3.2.13.79 TS 23.272

Circuit Switched (CS) fallback in Evolved Packet System (EPS); Stage 2

This document defines the Stage 2 architecture and specification for the CS Fallback and for SMS over SGs for EPS or CS Fallback and SMS over S102. The scope of this document includes the architecture enhancements for functionality to enable fallback from E-UTRAN access to UTRAN/GERAN CS domain access and to CDMA 1x RTT CS domain access, and functionality to reuse of voice and other CS-domain services (e.g. CS UDI video/LCS/USSD) by reuse of the CS domain. The functionality specified to support SMS over SGs does not trigger any CS Fallback to UTRAN/GERAN. The functionality specified to support SMS over S102 does not trigger any CS Fallback to CDMA 1xRTT CS domain.

| SDO (2) | Document No. | Version | Status | Issued date | Location (1) |
|-------------------|----------------------------|---------|-----------|-------------|---|
| Release 8 | | | | | |
| CCSA | CCSA-TSD-TDD-23.272 | 8.10.0 | Published | Jun 12 | http://www.ccsa.org.cn/english/tc/files.php?docpath=/ITU-R/M.1457/M.1457-12/TDD |
| ETSI | ETSI TS 123 272 | 8.12.0 | Published | Jul 12 | http://www.etsi.org/deliver/etsi_ts/123200_123299/123272/08.12.00_60/ |
| TTC | TS-3GA-23.272(Rel8)v8.12.0 | 8.12.0 | Approved | Sep 12 | http://www.ttc.or.jp/j/document_list/free/3gpps2012/TS/TS-3GA-23.272(Rel8)v8.12.0.pdf |
| Release 9 | | | | | |
| CCSA | CCSA-TSD-TDD-23.272 | 9.10.0 | Published | Jun 12 | http://www.ccsa.org.cn/english/tc/files.php?docpath=/ITU-R/M.1457/M.1457-12/TDD |
| ETSI | ETSI TS 123 272 | 9.13.0 | Published | Jan 13 | http://www.etsi.org/deliver/etsi_ts/123200_123299/123272/09.13.00_60/ |
| TTC | TS-3GA-23.272(Rel9)v9.13.0 | 9.13.0 | Approved | Jun 13 | http://www.ttc.or.jp/j/document_list/free/3gpps2013/TS/TS-3GA-23.272(Rel9)v9.13.0.pdf |
| Release 10 | | | | | |
| CCSA | CCSA-TSD-TDD-23.272 | 10.6.0 | Published | Jun 12 | http://www.ccsa.org.cn/english/tc/files.php?docpath=/ITU-R/M.1457/M.1457-12/TDD |

| | | | | | |
|-------------------|------------------------------|---------|-----------|--------|---|
| ETSI | ETSI TS 123 272 | 10.10.0 | Published | Apr 13 | http://www.etsi.org/deliver/etsi_ts/123200_123299/123272/10.10.00_60/ |
| TTC | TS-3GA-23.272(Rel10)v10.10.0 | 10.10.0 | Approved | Jun 13 | http://www.ttc.or.jp/jp/document_list/free/3gpps2013/TS/TS-3GA-23.272(Rel10)v10.10.0.pdf |
| Release 11 | | | | | |
| CCSA | CCSA-TSD-TDD-23.272 | 11.9.0 | Published | Jun 14 | http://www.ccsa.org.cn/english/tc/files.php?docpath=/ITU-R/M.1457/M.1457-12/TDD |
| ETSI | ETSI TS 123 272 | 11.4.0 | Published | Apr 13 | http://www.etsi.org/deliver/etsi_ts/123200_123299/123272/11.04.00_60/ |
| TTC | TS-3GA-23.272(Rel11)v11.4.0 | 11.4.0 | Approved | Jun 13 | http://www.ttc.or.jp/jp/document_list/free/3gpps2013/TS/TS-3GA-23.272(Rel11)v11.4.0.pdf |

5.3.2.13.80 TS 23.279

Combining Circuit Switched (CS) and IP Multimedia Subsystem (IMS) services; Stage 2

This document provides architectural details to combine CS services and IMS services for using them in parallel between the same two users in a peer-to-peer context. The document provides a detailed description of how capabilities and identities are exchanged to enable the combination of CS and IMS services between the same two UEs

| SDO (2) | Document No. | Version | Status | Issued date | Location (1) |
|-------------------|-----------------------------|---------|-----------|-------------|---|
| Release 7 | | | | | |
| CCSA | CCSA-TSD-TDD-23.279 | 7.7.0 | Published | Jun 12 | http://www.ccsa.org.cn/english/tc/files.php?docpath=/ITU-R/M.1457/M.1457-12/TDD |
| ETSI | ETSI TS 123 279 | 7.7.0 | Published | Oct 07 | http://www.etsi.org/deliver/etsi_ts/123200_123299/123279/07.07.00_60/ |
| TTC | TS-3GA-23.279(Rel7)v7.7.0 | 7.7.0 | Approved | Mar 08 | http://www.ttc.or.jp/j/document_list/free/TS/TS-3GA-23.279(Rel7)v7.7.0.pdf |
| Release 8 | | | | | |
| CCSA | CCSA-TSD-TDD-23.279 | 8.1.0 | Published | Jun 12 | http://www.ccsa.org.cn/english/tc/files.php?docpath=/ITU-R/M.1457/M.1457-12/TDD |
| ETSI | ETSI TS 123 279 | 8.1.0 | Published | Feb 09 | http://www.etsi.org/deliver/etsi_ts/123200_123299/123279/08.01.00_60/ |
| TTC | TS-3GA-23.279(Rel8)v8.1.0 | 8.1.0 | Approved | Feb 09 | http://www.ttc.or.jp/j/document_list/free/3gpps2009/TS/TS-3GA-23.279(Rel8)v8.1.0.pdf |
| Release 9 | | | | | |
| CCSA | CCSA-TSD-TDD-23.279 | 9.0.0 | Published | Jun 12 | http://www.ccsa.org.cn/english/tc/files.php?docpath=/ITU-R/M.1457/M.1457-12/TDD |
| ETSI | ETSI TS 123 279 | 9.0.0 | Published | Jan 10 | http://www.etsi.org/deliver/etsi_ts/123200_123299/123279/09.00.00_60/ |
| TTC | TS-3GA-23.279(Rel9)v9.0.0 | 9.0.0 | Approved | Jul 10 | http://www.ttc.or.jp/j/document_list/free/3gpps2010/TS/TS-3GA-23.279(Rel9)v9.0.0.pdf |
| Release 10 | | | | | |
| CCSA | CCSA-TSD-TDD-23.279 | 10.0.0 | Published | Jun 12 | http://www.ccsa.org.cn/english/tc/files.php?docpath=/ITU-R/M.1457/M.1457-12/TDD |
| ETSI | ETSI TS 123 279 | 10.0.0 | Published | Mar 11 | http://www.etsi.org/deliver/etsi_ts/123200_123299/123279/10.00.00_60/ |
| TTC | TS-3GA-23.279(Rel10)v10.0.0 | 10.0.0 | Approved | Jun 11 | http://www.ttc.or.jp/j/document_list/free/3gpps2011/TS/TS-3GA-23.279(Rel10)v10.0.0.pdf |
| Release 11 | | | | | |
| CCSA | CCSA-TSD-TDD-23.279 | 11.0.0 | Published | Jun 14 | http://www.ccsa.org.cn/english/tc/files.php?docpath=/ITU-R/M.1457/M.1457-12/TDD |
| ETSI | ETSI TS 123 279 | 11.0.0 | Published | Sep 12 | http://www.etsi.org/deliver/etsi_ts/123200_123299/123279/11.00.00_60/ |
| TTC | TS-3GA-23.279(Rel11)v11.0.0 | 11.0.0 | Approved | Jun 13 | http://www.ttc.or.jp/j/document_list/free/3gpps2013/TS/TS-3GA-23.279(Rel11)v11.0.0.pdf |

5.3.2.13.81 TS 23.292

IP Multimedia Subsystem (IMS) centralized services; Stage 2

This document specifies the architectural requirements for delivery of consistent services to the user regardless of the attached access type (e.g. CS domain access, or IP-CAN). This is achieved by implementing the services in the IP Multimedia Subsystem (IMS).

| SDO (2) | Document No. | Version | Status | Issued date | Location (1) |
|-------------------|-----------------------------|---------|-----------|-------------|---|
| Release 8 | | | | | |
| CCSA | CCSA-TSD-TDD-23.292 | 8.8.0 | Published | Jun 12 | http://www.ccsa.org.cn/english/tc/files.php?docpath=/ITU-R/M.1457/M.1457-12/TDD |
| ETSI | ETSI TS 123 292 | 8.8.0 | Published | Jun 10 | http://www.etsi.org/deliver/etsi_ts/123200_123299/123292/08.08.00_60/ |
| TTC | TS-3GA-23.292(Rel8)v8.8.0 | 8.8.0 | Approved | Oct 10 | http://www.ttc.or.jp/j/document_list/free/3gpps2010/TS/TS-3GA-23.292(Rel8)v8.8.0.pdf |
| Release 9 | | | | | |
| CCSA | CCSA-TSD-TDD-23.292 | 9.8.0 | Published | Jun 12 | http://www.ccsa.org.cn/english/tc/files.php?docpath=/ITU-R/M.1457/M.1457-12/TDD |
| ETSI | ETSI TS 123 292 | 9.8.0 | Published | Mar 11 | http://www.etsi.org/deliver/etsi_ts/123200_123299/123292/09.08.00_60/ |
| TTC | TS-3GA-23.292(Rel9)v9.8.0 | 9.8.0 | Approved | Jun 11 | http://www.ttc.or.jp/j/document_list/free/3gpps2011/TS/TS-3GA-23.292(Rel9)v9.8.0.pdf |
| Release 10 | | | | | |
| CCSA | CCSA-TSD-TDD-23.292 | 10.4.0 | Published | Jun 12 | http://www.ccsa.org.cn/english/tc/files.php?docpath=/ITU-R/M.1457/M.1457-12/TDD |
| ETSI | ETSI TS 123 292 | 10.5.0 | Published | Mar 12 | http://www.etsi.org/deliver/etsi_ts/123200_123299/123292/10.05.00_60/ |
| TTC | TS-3GA-23.292(Rel10)v10.5.0 | 10.5.0 | Approved | Jun 12 | http://www.ttc.or.jp/j/document_list/free/3gpps2012/TS/TS-3GA-23.292(Rel10)v10.5.0.pdf |
| Release 11 | | | | | |
| CCSA | CCSA-TSD-TDD-23.292 | 11.8.0 | Published | Jun 14 | http://www.ccsa.org.cn/english/tc/files.php?docpath=/ITU-R/M.1457/M.1457-12/TDD |
| ETSI | ETSI TS 123 292 | 11.5.0 | Published | Apr 13 | http://www.etsi.org/deliver/etsi_ts/123200_123299/123292/11.05.00_60/ |
| TTC | TS-3GA-23.292(Rel11)v11.5.0 | 11.5.0 | Approved | Jun 13 | http://www.ttc.or.jp/j/document_list/free/3gpps2013/TS/TS-3GA-23.292(Rel11)v11.5.0.pdf |

5.3.2.13.82 TS 23.327

Mobility between 3GPP-Wireless Local Area Network (WLAN) interworking and 3GPP systems

This document specifies the stage 2 system description for providing mobility between 3GPP Wireless Local Area Network Interworking (I WLAN) and 3GPP Systems. It is to define a technical solution based on the working principles of DSMIPv6 with necessary enhancement of the I WLAN architecture for supporting mobility and roaming between 3GPP WLAN Interworking system and 3GPP Systems so that ongoing 3GPP PS based services can be maintained with minimal impact on the end user's perceived quality on the services at a change of the access network (between I WLAN and 3GPP Access Systems).

| SDO (2) | Document No. | Version | Status | Issued date | Location (1) |
|-------------------|-----------------------------|---------|-----------|-------------|---|
| Release 8 | | | | | |
| CCSA | CCSA-TSD-TDD-23.327 | 8.4.0 | Published | Jun 12 | http://www.ccsa.org.cn/english/tc/files.php?docpath=/ITU-R/M.1457/M.1457-12/TDD |
| ETSI | ETSI TS 123 327 | 8.4.0 | Published | Oct 09 | http://www.etsi.org/deliver/etsi_ts/123300_123399/123327/08.04.00_60/ |
| TTC | TS-3GA-23.327(Rel8)v8.4.0 | 8.4.0 | Approved | Dec 09 | http://www.ttc.or.jp/j/document_list/free/3gpps2009/TS/TS-3GA-23.327(Rel8)v8.4.0.pdf |
| Release 9 | | | | | |
| CCSA | CCSA-TSD-TDD-23.327 | 9.0.0 | Published | Jun 12 | http://www.ccsa.org.cn/english/tc/files.php?docpath=/ITU-R/M.1457/M.1457-12/TDD |
| ETSI | ETSI TS 123 327 | 9.0.0 | Published | Jan 10 | http://www.etsi.org/deliver/etsi_ts/123300_123399/123327/09.00.00_60/ |
| TTC | TS-3GA-23.327(Rel9)v9.0.0 | 9.0.0 | Approved | Jul 10 | http://www.ttc.or.jp/j/document_list/free/3gpps2010/TS/TS-3GA-23.327(Rel9)v9.0.0.pdf |
| Release 10 | | | | | |
| CCSA | CCSA-TSD-TDD-23.327 | 10.0.0 | Published | Jun 12 | http://www.ccsa.org.cn/english/tc/files.php?docpath=/ITU-R/M.1457/M.1457-12/TDD |
| ETSI | ETSI TS 123 327 | 10.0.0 | Published | Mar 11 | http://www.etsi.org/deliver/etsi_ts/123300_123399/123327/10.00.00_60/ |
| TTC | TS-3GA-23.327(Rel10)v10.0.0 | 10.0.0 | Approved | Jun 11 | http://www.ttc.or.jp/j/document_list/free/3gpps2011/TS/TS-3GA-23.327(Rel10)v10.0.0.pdf |
| Release 11 | | | | | |

| | | | | | |
|------|-----------------------------|--------|-----------|--------|---|
| CCSA | CCSA-TSD-TDD-23.327 | 11.0.0 | Published | Jun 14 | http://www.ccsa.org.cn/english/tc/files.php?docpath=/ITU-R/M.1457/M.1457-12/TDD |
| CCSA | CCSA-TSD-TDD-23.327 | 11.0.0 | Published | Jun 14 | http://www.ccsa.org.cn/english/tc/files.php?docpath=/ITU-R/M.1457/M.1457-12/TDD |
| ETSI | ETSI TS 123 327 | 11.0.0 | Published | Nov 12 | http://www.etsi.org/deliver/etsi_ts/123300_123399/123327/11.00.00_60/ |
| TTC | TS-3GA-23.327(Rel11)v11.0.0 | 11.0.0 | Approved | Jun 13 | http://www.ttc.or.jp/j/document_list/free/3gpps2013/TS/TS-3GA-23.327(Rel11)v11.0.0.pdf |

5.3.2.13.83 TS 23.401

General Packet Radio Service (GPRS) enhancements for Evolved Universal Terrestrial Radio Access Network (E-UTRAN) access

This Technical Specification defines the Stage 2 service description for the Evolved 3GPP Packet Switched Domain – also called the Evolved Packet System (EPS) in this document. The Evolved 3GPP Packet Switched Domain provides IP connectivity using the Evolved Universal Terrestrial Radio Access Network (E-UTRAN). The specification also covers mobility between E-UTRAN and pre-E-UTRAN 3GPP radio access technologies.

| SDO (2) | Document No. | Version | Status | Issued date | Location (1) |
|-------------------|------------------------------|---------|-----------|-------------|---|
| Release 8 | | | | | |
| CCSA | CCSA-TSD-TDD-23.401 | 8.15.0 | Published | Jun 12 | http://www.ccsa.org.cn/english/tc/files.php?docpath=/ITU-R/M.1457/M.1457-12/TDD |
| ETSI | ETSI TS 123 401 | 8.18.0 | Published | Apr 13 | http://www.etsi.org/deliver/etsi_ts/123400_123499/123401/08.18.00_60/ |
| TTC | TS-3GA-23.401(Rel8)v8.18.0 | 8.18.0 | Approved | Jun 13 | http://www.ttc.or.jp/j/document_list/free/3gpps2013/TS/TS-3GA-23.401(Rel8)v8.18.0.pdf |
| Release 9 | | | | | |
| CCSA | CCSA-TSD-TDD-23.401 | 9.11.0 | Published | Jun 12 | http://www.ccsa.org.cn/english/tc/files.php?docpath=/ITU-R/M.1457/M.1457-12/TDD |
| ETSI | ETSI TS 123 401 | 9.15.0 | Published | Apr 13 | http://www.etsi.org/deliver/etsi_ts/123400_123499/123401/09.15.00_60/ |
| TTC | TS-3GA-23.401(Rel9)v9.15.0 | 9.15.0 | Approved | Jun 13 | http://www.ttc.or.jp/j/document_list/free/3gpps2013/TS/TS-3GA-23.401(Rel9)v9.15.0.pdf |
| Release 10 | | | | | |
| CCSA | CCSA-TSD-TDD-23.401 | 10.6.0 | Published | Jun 12 | http://www.ccsa.org.cn/english/tc/files.php?docpath=/ITU-R/M.1457/M.1457-12/TDD |
| ETSI | ETSI TS 123 401 | 10.10.0 | Published | Apr 13 | http://www.etsi.org/deliver/etsi_ts/123400_123499/123401/10.10.00_60/ |
| TTC | TS-3GA-23.401(Rel10)v10.10.0 | 10.10.0 | Approved | Jun 13 | http://www.ttc.or.jp/jp/document_list/free/3gpps2013/TS/TS-3GA-23.401(Rel10)v10.10.0.pdf |
| Release 11 | | | | | |
| CCSA | CCSA-TSD-TDD-23.401 | 11.10.0 | Published | Jun 14 | http://www.ccsa.org.cn/english/tc/files.php?docpath=/ITU-R/M.1457/M.1457-12/TDD |
| ETSI | ETSI TS 123 401 | 11.5.0 | Published | Apr 13 | http://www.etsi.org/deliver/etsi_ts/123400_123499/123401/11.05.00_60/ |
| TTC | TS-3GA-23.401(Rel11)v11.5.0 | 11.5.0 | Approved | Jun 13 | http://www.ttc.or.jp/jp/document_list/free/3gpps2013/TS/TS-3GA-23.401(Rel11)v11.5.0.pdf |

5.3.2.13.84 TS 23.402

Architecture enhancements for non-3GPP accesses

This Technical Specification defines the Stage 2 service description for providing IP connectivity using non-3GPP accesses to the Evolved 3GPP Packet Switched domain. In addition, for E-UTRAN and non-3GPP accesses, the specification describes the Evolved 3GPP PS Domain where the protocols between its Core Network elements are IETF based.

| SDO (2) | Document No. | Version | Status | Issued date | Location (1) |
|------------------|---------------------|---------|-----------|-------------|---|
| Release 8 | | | | | |
| CCSA | CCSA-TSD-TDD-23.402 | 8.9.0 | Published | Jun 12 | http://www.ccsa.org.cn/english/tc/files.php?docpath=/ITU-R/M.1457/M.1457-12/TDD |
| ETSI | ETSI TS 123 402 | 8.10.0 | Published | Mar 12 | http://www.etsi.org/deliver/etsi_ts/123400_123499/123402/08.10.00_60/ |

| | | | | | |
|-------------------|-----------------------------|--------|-----------|--------|---|
| TTC | TS-3GA-23.402(Rel8)v8.10.0 | 8.10.0 | Approved | Jun 12 | http://www.ttc.or.jp/j/document_list/free/3gpps2012/TS/TS-3GA-23.402(Rel8)v8.10.0.pdf |
| Release 9 | | | | | |
| CCSA | CCSA-TSD-TDD-23.402 | 9.11.0 | Published | Jun 12 | http://www.ccsa.org.cn/english/tc/files.php?docpath=/ITU-R/M.1457/M.1457-12/TDD |
| ETSI | ETSI TS 123 402 | 9.12.0 | Published | Mar 12 | http://www.etsi.org/deliver/etsi_ts/123400_123499/123402/09.12.00_60/ |
| TTC | TS-3GA-23.402(Rel9)v9.12.0 | 9.12.0 | Approved | Jun 12 | http://www.ttc.or.jp/j/document_list/free/3gpps2012/TS/TS-3GA-23.402(Rel9)v9.12.0.pdf |
| Release 10 | | | | | |
| CCSA | CCSA-TSD-TDD-23.402 | 10.6.0 | Published | Jun 12 | http://www.ccsa.org.cn/english/tc/files.php?docpath=/ITU-R/M.1457/M.1457-12/TDD |
| ETSI | ETSI TS 123 402 | 10.8.0 | Published | Sep 12 | http://www.etsi.org/deliver/etsi_ts/123400_123499/123402/10.08.00_60/ |
| TTC | TS-3GA-23.402(Rel10)v10.8.0 | 10.8.0 | Approved | Dec 12 | http://www.ttc.or.jp/j/document_list/free/3gpps2012/TS/TS-3GA-23.402(Rel10)v10.8.0.pdf |
| Release 11 | | | | | |
| CCSA | CCSA-TSD-TDD-23.402 | 11.9.0 | Published | Jun 14 | http://www.ccsa.org.cn/english/tc/files.php?docpath=/ITU-R/M.1457/M.1457-12/TDD |
| ETSI | ETSI TS 123 402 | 11.6.0 | Published | Apr 13 | http://www.etsi.org/deliver/etsi_ts/123400_123499/123402/11.06.00_60/ |
| TTC | TS-3GA-23.402(Rel11)v11.6.0 | 11.6.0 | Approved | Jun 13 | http://www.ttc.or.jp/j/document_list/free/3gpps2013/TS/TS-3GA-23.402(Rel11)v11.6.0.pdf |

5.3.2.13.85 TS 23.682

Architecture enhancements to facilitate communications with packet data networks and applications

This document specifies architecture enhancements to facilitate communications with packet data networks and applications (e.g. Machine Type Communication (MTC) applications on the (external) network/MTC servers) as per the use cases and service requirements defined in TS 22.368, TS 22.101 and related 3GPP requirements specifications. Both roaming and non-roaming scenarios are covered.

- Device triggering by applications/servers (e.g.: MTC applications on the (external) network/MTC servers).
- PS-Only support with and without MSISDN.

| SDO (2) | Document No. | Version | Status | Issued date | Location (1) |
|-------------------|-----------------------------|---------|-----------|-------------|---|
| Release 11 | | | | | |
| CCSA | CCSA-TSD-TDD-23.682 | 11.9.0 | Published | Jun 14 | http://www.ccsa.org.cn/english/tc/files.php?docpath=/ITU-R/M.1457/M.1457-12/TDD |
| ETSI | ETSI TS 123 682 | 11.3.0 | Published | Jan 13 | http://www.etsi.org/deliver/etsi_ts/123600_123699/123682/11.03.00_60/ |
| TTC | TS-3GA-23.682(Rel11)v11.3.0 | 11.3.0 | Approved | Jun 13 | http://www.ttc.or.jp/j/document_list/free/3gpps2013/TS/TS-3GA-23.682(Rel11)v11.3.0.pdf |

5.3.2.13.86 TR 23.930

Iu principles

This specification describes the requirements on the Iu and studies relevant principles to guide further standardization of the related interface(s).

| SDO (2) | Document No. | Version | Status | Issued date | Location (1) |
|-------------------|--------------------------|---------|-----------|-------------|---|
| Release 99 | | | | | |
| CCSA | CCSA-TSD-TDD-23.930 | 3.0.0 | Published | Feb 00 | http://www.ccsa.org.cn/english/tc/files.php?docpath=/ITU-R/M.1457/M.1457-12/TDD |
| ETSI | ETSI TR 123 930 | 3.0.0 | Published | Feb 00 | http://www.etsi.org/deliver/etsi_tr/123900_123999/123930/03.00.00_60/ |
| TTC | TR-3GA-23.930(R99)v3.0.0 | 3.0.0 | Approved | Feb 02 | http://www.ttc.or.jp/j/document_list/free/TR/TR-3GA-23.930(R99)v3.0.0.pdf |
| Release 4 | | | | | |
| CCSA | CCSA-TSD-TDD-23.930 | 4.0.0 | Published | Apr 01 | http://www.ccsa.org.cn/english/tc/files.php?docpath=/ITU-R/M.1457/M.1457-12/TDD |

| | | | | | |
|-------------------|---------------------------|--------|-----------|--------|---|
| ETSI | ETSI TR 123 930 | 4.0.0 | Published | Apr 01 | http://www.etsi.org/deliver/etsi_tr/123900_123999/123930/04.00.00_60/ |
| TTC | TR-3GA-23.930(Rel4)v4.0.0 | 4.0.0 | Approved | May 01 | http://www.ttc.or.jp/j/document_list/free/TR/TR-3GA-23.930(Rel4)v4.0.0.pdf |
| Release 11 | | | | | |
| CCSA | CCSA-TSD-TDD-23.930 | 11.5.0 | Published | Jun 14 | http://www.ccsa.org.cn/english/tc/files.php?docpath=/ITU-R/M.1457/M.1457-12/TDD |

5.3.2.13.87 TS 26.071

Mandatory speech CODEC speech processing functions; AMR speech Codec; General description

This specification describes an introduction to the set of the adaptive multi-rate (AMR) specifications.

| SDO (2) | Document No. | Version | Status | Issued date | Location (1) |
|-------------------|---------------------|---------|-----------|-------------|---|
| Release 99 | | | | | |
| ARIB | ARIB STD-T63-26.071 | 3.0.1 | Approved | Jul 13 | http://www.arib.or.jp/english/html/overview/doc/STD-T63v10_00/2_T63/ARIB-STD-T63/R99/26/A26071-301.pdf |
| CCSA | CCSA-TSD-TDD-26.071 | 3.0.1 | Published | Feb 00 | http://www.ccsa.org.cn/english/tc/files.php?docpath=/ITU-R/M.1457/M.1457-12/TDD |
| ETSI | ETSI TS 126 071 | 3.0.1 | Published | Feb 00 | http://www.etsi.org/deliver/etsi_ts/126000_126099/126071/03.00.01_60/ |
| Release 4 | | | | | |
| ARIB | ARIB STD-T63-26.071 | 4.0.0 | Approved | Jul 13 | http://www.arib.or.jp/english/html/overview/doc/STD-T63v10_00/2_T63/ARIB-STD-T63/Rel4/26/A26071-400.pdf |
| CCSA | CCSA-TSD-TDD-26.071 | 4.0.0 | Published | Apr 01 | http://www.ccsa.org.cn/english/tc/files.php?docpath=/ITU-R/M.1457/M.1457-12/TDD |
| ETSI | ETSI TS 126 071 | 4.0.0 | Published | Apr 01 | http://www.etsi.org/deliver/etsi_ts/126000_126099/126071/04.00.00_60/ |
| Release 5 | | | | | |
| ARIB | ARIB STD-T63-26.071 | 5.0.0 | Approved | Jul 13 | http://www.arib.or.jp/english/html/overview/doc/STD-T63v10_00/2_T63/ARIB-STD-T63/Rel5/26/A26071-500.pdf |
| CCSA | CCSA-TSD-TDD-26.071 | 5.0.0 | Published | Jul 02 | http://www.ccsa.org.cn/english/tc/files.php?docpath=/ITU-R/M.1457/M.1457-12/TDD |
| ETSI | ETSI TS 126 071 | 5.0.0 | Published | Jul 02 | http://www.etsi.org/deliver/etsi_ts/126000_126099/126071/05.00.00_60/ |
| Release 6 | | | | | |
| ARIB | ARIB STD-T63-26.071 | 6.0.0 | Approved | Jul 13 | http://www.arib.or.jp/english/html/overview/doc/STD-T63v10_00/2_T63/ARIB-STD-T63/Rel6/26/A26071-600.pdf |
| CCSA | CCSA-TSD-TDD-26.071 | 6.0.0 | Published | Jan 05 | http://www.ccsa.org.cn/english/tc/files.php?docpath=/ITU-R/M.1457/M.1457-12/TDD |
| ETSI | ETSI TS 126 071 | 6.0.0 | Published | Jan 05 | http://www.etsi.org/deliver/etsi_ts/126000_126099/126071/06.00.00_60/ |
| Release 7 | | | | | |
| ARIB | ARIB STD-T63-26.071 | 7.0.1 | Approved | Jul 13 | http://www.arib.or.jp/english/html/overview/doc/STD-T63v10_00/2_T63/ARIB-STD-T63/Rel7/26/A26071-701.pdf |
| CCSA | CCSA-TSD-TDD-26.071 | 7.0.1 | Published | Jul 07 | http://www.ccsa.org.cn/english/tc/files.php?docpath=/ITU-R/M.1457/M.1457-12/TDD |
| ETSI | ETSI TS 126 071 | 7.0.1 | Published | Jul 07 | http://www.etsi.org/deliver/etsi_ts/126000_126099/126071/07.00.01_60/ |
| Release 8 | | | | | |
| ARIB | ARIB STD-T63-26.071 | 8.0.0 | Approved | Jul 13 | http://www.arib.or.jp/english/html/overview/doc/STD-T63v10_00/2_T63/ARIB-STD-T63/Rel8/26/A26071-800.pdf |
| CCSA | CCSA-TSD-TDD-26.071 | 8.0.0 | Published | Jan 09 | http://www.ccsa.org.cn/english/tc/files.php?docpath=/ITU-R/M.1457/M.1457-12/TDD |
| ETSI | ETSI TS 126 071 | 8.0.0 | Published | Jan 09 | http://www.etsi.org/deliver/etsi_ts/126000_126099/126071/08.00.00_60/ |
| Release 9 | | | | | |
| ARIB | ARIB STD-T63-26.071 | 9.0.0 | Approved | Jul 13 | http://www.arib.or.jp/english/html/overview/doc/STD-T63v10_00/2_T63/ARIB-STD-T63/Rel9/26/A26071-900.pdf |
| CCSA | CCSA-TSD-TDD-26.071 | 9.0.0 | Published | Mar 10 | http://www.ccsa.org.cn/english/tc/files.php?docpath=/ITU-R/M.1457/M.1457-12/TDD |
| ETSI | ETSI TS 126 071 | 9.0.0 | Published | Jan 10 | http://www.etsi.org/deliver/etsi_ts/126000_126099/126071/09.00.00_60/ |
| Release 10 | | | | | |
| ARIB | ARIB STD-T63-26.071 | 10.0.0 | Approved | Jul 13 | http://www.arib.or.jp/english/html/overview/doc/STD-T63v10_00/2_T63/ARIB-STD-T63/Rel10/26/A26071-a00.pdf |
| CCSA | CCSA-TSD-TDD-26.071 | 10.0.0 | Published | Jun 12 | http://www.ccsa.org.cn/english/tc/files.php?docpath=/ITU-R/M.1457/M.1457-12/TDD |
| ETSI | ETSI TS 126 071 | 10.0.0 | Published | Apr 11 | http://www.etsi.org/deliver/etsi_ts/126000_126099/126071/10.00.00_60/ |

Release 11

| | | | | | |
|------|---------------------|--------|-----------|--------|---|
| ARIB | ARIB STD-T63-26.071 | 11.0.0 | Approved | Jul 13 | http://www.arib.or.jp/english/html/overview/doc/STD-T63v10_00/2_T63/ARIB-STD-T63/Rel11/26/A26071-b00.pdf |
| CCSA | CCSA-TSD-TDD-26.071 | 11.0.0 | Published | Jun 14 | http://www.ccsa.org.cn/english/tc/files.php?docpath=/ITU-R/M.1457/M.1457-12/TDD |
| ETSI | ETSI TS 126 071 | 11.0.0 | Published | Oct 12 | http://www.etsi.org/deliver/etsi_ts/126000_126099/126071/11.00.00_60/ |

5.3.2.13.88 TS 26.090**Mandatory Speech Codec speech processing functions; Adaptive Multi-Rate (AMR) speech codec; Transcoding functions**

This specification describes a detailed description of the AMR speech codec transcoding functions.

| SDO (2) | Document No. | Version | Status | Issued date | Location (1) |
|-------------------|---------------------|---------|-----------|-------------|---|
| Release 99 | | | | | |
| ARIB | ARIB STD-T63-26.090 | 3.1.0 | Approved | Jul 13 | http://www.arib.or.jp/english/html/overview/doc/STD-T63v10_00/2_T63/ARIB-STD-T63/R99/26/A26090-310.pdf |
| CCSA | CCSA-TSD-TDD-26.090 | 3.1.0 | Published | Feb 00 | http://www.ccsa.org.cn/english/tc/files.php?docpath=/ITU-R/M.1457/M.1457-12/TDD |
| ETSI | ETSI TS 126 090 | 3.1.0 | Published | Feb 00 | http://www.etsi.org/deliver/etsi_ts/126000_126099/126090/03.01.00_60/ |
| Release 4 | | | | | |
| ARIB | ARIB STD-T63-26.090 | 4.0.0 | Approved | Jul 13 | http://www.arib.or.jp/english/html/overview/doc/STD-T63v10_00/2_T63/ARIB-STD-T63/Rel4/26/A26090-400.pdf |
| CCSA | CCSA-TSD-TDD-26.090 | 4.0.0 | Published | Apr 01 | http://www.ccsa.org.cn/english/tc/files.php?docpath=/ITU-R/M.1457/M.1457-12/TDD |
| ETSI | ETSI TS 126 090 | 4.0.0 | Published | Apr 01 | http://www.etsi.org/deliver/etsi_ts/126000_126099/126090/04.00.00_60/ |
| Release 5 | | | | | |
| ARIB | ARIB STD-T63-26.090 | 5.0.0 | Approved | Jul 13 | http://www.arib.or.jp/english/html/overview/doc/STD-T63v10_00/2_T63/ARIB-STD-T63/Rel5/26/A26090-500.pdf |
| CCSA | CCSA-TSD-TDD-26.090 | 5.0.0 | Published | Jul 02 | http://www.ccsa.org.cn/english/tc/files.php?docpath=/ITU-R/M.1457/M.1457-12/TDD |
| ETSI | ETSI TS 126 090 | 5.0.0 | Published | Jul 02 | http://www.etsi.org/deliver/etsi_ts/126000_126099/126090/05.00.00_60/ |
| Release 6 | | | | | |
| ARIB | ARIB STD-T63-26.090 | 6.0.0 | Approved | Jul 13 | http://www.arib.or.jp/english/html/overview/doc/STD-T63v10_00/2_T63/ARIB-STD-T63/Rel6/26/A26090-600.pdf |
| CCSA | CCSA-TSD-TDD-26.090 | 6.0.0 | Published | Jan 05 | http://www.ccsa.org.cn/english/tc/files.php?docpath=/ITU-R/M.1457/M.1457-12/TDD |
| ETSI | ETSI TS 126 090 | 6.0.0 | Published | Jan 05 | http://www.etsi.org/deliver/etsi_ts/126000_126099/126090/06.00.00_60/ |
| Release 7 | | | | | |
| ARIB | ARIB STD-T63-26.090 | 7.1.0 | Approved | Jul 13 | http://www.arib.or.jp/english/html/overview/doc/STD-T63v10_00/2_T63/ARIB-STD-T63/Rel7/26/A26090-710.pdf |
| CCSA | CCSA-TSD-TDD-26.090 | 7.1.0 | Published | Mar 10 | http://www.ccsa.org.cn/english/tc/files.php?docpath=/ITU-R/M.1457/M.1457-12/TDD |
| ETSI | ETSI TS 126 090 | 7.1.0 | Published | Jun 09 | http://www.etsi.org/deliver/etsi_ts/126000_126099/126090/07.01.00_60/ |
| Release 8 | | | | | |
| ARIB | ARIB STD-T63-26.090 | 8.1.0 | Approved | Jul 13 | http://www.arib.or.jp/english/html/overview/doc/STD-T63v10_00/2_T63/ARIB-STD-T63/Rel8/26/A26090-810.pdf |
| CCSA | CCSA-TSD-TDD-26.090 | 8.1.0 | Published | Mar 10 | http://www.ccsa.org.cn/english/tc/files.php?docpath=/ITU-R/M.1457/M.1457-12/TDD |
| ETSI | ETSI TS 126 090 | 8.1.0 | Published | Jun 09 | http://www.etsi.org/deliver/etsi_ts/126000_126099/126090/08.01.00_60/ |
| Release 9 | | | | | |
| ARIB | ARIB STD-T63-26.090 | 9.1.0 | Approved | Jul 13 | http://www.arib.or.jp/english/html/overview/doc/STD-T63v10_00/2_T63/ARIB-STD-T63/Rel9/26/A26090-910.pdf |
| CCSA | CCSA-TSD-TDD-26.090 | 9.1.0 | Published | Jun 12 | http://www.ccsa.org.cn/english/tc/files.php?docpath=/ITU-R/M.1457/M.1457-12/TDD |
| ETSI | ETSI TS 126 090 | 9.1.0 | Published | Oct 11 | http://www.etsi.org/deliver/etsi_ts/126000_126099/126090/09.01.00_60/ |
| Release 10 | | | | | |
| ARIB | ARIB STD-T63-26.090 | 10.1.0 | Approved | Jul 13 | http://www.arib.or.jp/english/html/overview/doc/STD-T63v10_00/2_T63/ARIB-STD-T63/Rel10/26/A26090-a10.pdf |

| | | | | | |
|-------------------|---------------------|--------|-----------|--------|---|
| CCSA | CCSA-TSD-TDD-26.090 | 10.1.0 | Published | Jun 12 | http://www.ccsa.org.cn/english/tc/files.php?docpath=/ITU-R/M.1457/M.1457-12/TDD |
| ETSI | ETSI TS 126 090 | 10.1.0 | Published | Oct 11 | http://www.etsi.org/deliver/etsi_ts/126000_126099/126090/10.01.00_60/ |
| Release 11 | | | | | |
| ARIB | ARIB STD-T63-26.090 | 11.0.0 | Approved | Jul 13 | http://www.arib.or.jp/english/html/overview/doc/STD-T63v10_00/2_T63/ARIB-STD-T63/Rel11/26/A26090-b00.pdf |
| CCSA | CCSA-TSD-TDD-26.090 | 11.0.0 | Published | Jun 14 | http://www.ccsa.org.cn/english/tc/files.php?docpath=/ITU-R/M.1457/M.1457-12/TDD |
| ETSI | ETSI TS 126 090 | 11.0.0 | Published | Oct 12 | http://www.etsi.org/deliver/etsi_ts/126000_126099/126090/11.00.00_60/ |

5.3.2.13.89 TS 26.091

Mandatory Speech Codec speech processing functions; Adaptive Multi-Rate (AMR) speech codec; Error concealment of lost frames

This specification describes example procedures for the error concealment, also called frame substitution or muting procedure, of lost speech or silence indicator frames.

| SDO (2) | Document No. | Version | Status | Issued date | Location (1) |
|-------------------|---------------------|---------|-----------|-------------|---|
| Release 99 | | | | | |
| ARIB | ARIB STD-T63-26.091 | 3.1.0 | Approved | Jul 13 | http://www.arib.or.jp/english/html/overview/doc/STD-T63v10_00/2_T63/ARIB-STD-T63/R99/26/A26091-310.pdf |
| CCSA | CCSA-TSD-TDD-26.091 | 3.1.0 | Published | Feb 00 | http://www.ccsa.org.cn/english/tc/files.php?docpath=/ITU-R/M.1457/M.1457-12/TDD |
| ETSI | ETSI TS 126 091 | 3.1.0 | Published | Feb 00 | http://www.etsi.org/deliver/etsi_ts/126000_126099/126091/03.01.00_60/ |
| Release 4 | | | | | |
| ARIB | ARIB STD-T63-26.091 | 4.0.0 | Approved | Jul 13 | http://www.arib.or.jp/english/html/overview/doc/STD-T63v10_00/2_T63/ARIB-STD-T63/Rel4/26/A26091-400.pdf |
| CCSA | CCSA-TSD-TDD-26.091 | 4.0.0 | Published | Apr 01 | http://www.ccsa.org.cn/english/tc/files.php?docpath=/ITU-R/M.1457/M.1457-12/TDD |
| ETSI | ETSI TS 126 091 | 4.0.0 | Published | Apr 01 | http://www.etsi.org/deliver/etsi_ts/126000_126099/126091/04.00.00_60/ |
| Release 5 | | | | | |
| ARIB | ARIB STD-T63-26.091 | 5.0.0 | Approved | Jul 13 | http://www.arib.or.jp/english/html/overview/doc/STD-T63v10_00/2_T63/ARIB-STD-T63/Rel5/26/A26091-500.pdf |
| CCSA | CCSA-TSD-TDD-26.091 | 5.0.0 | Published | Jul 02 | http://www.ccsa.org.cn/english/tc/files.php?docpath=/ITU-R/M.1457/M.1457-12/TDD |
| ETSI | ETSI TS 126 091 | 5.0.0 | Published | Jul 02 | http://www.etsi.org/deliver/etsi_ts/126000_126099/126091/05.00.00_60/ |
| Release 6 | | | | | |
| ARIB | ARIB STD-T63-26.091 | 6.0.0 | Approved | Jul 13 | http://www.arib.or.jp/english/html/overview/doc/STD-T63v10_00/2_T63/ARIB-STD-T63/Rel6/26/A26091-600.pdf |
| CCSA | CCSA-TSD-TDD-26.091 | 6.0.0 | Published | Jan 05 | http://www.ccsa.org.cn/english/tc/files.php?docpath=/ITU-R/M.1457/M.1457-12/TDD |
| ETSI | ETSI TS 126 091 | 6.0.0 | Published | Jan 05 | http://www.etsi.org/deliver/etsi_ts/126000_126099/126091/06.00.00_60/ |
| Release 7 | | | | | |
| ARIB | ARIB STD-T63-26.091 | 7.0.0 | Approved | Jul 13 | http://www.arib.or.jp/english/html/overview/doc/STD-T63v10_00/2_T63/ARIB-STD-T63/Rel7/26/A26091-700.pdf |
| CCSA | CCSA-TSD-TDD-26.091 | 7.0.0 | Published | Jun 07 | http://www.ccsa.org.cn/english/tc/files.php?docpath=/ITU-R/M.1457/M.1457-12/TDD |
| ETSI | ETSI TS 126 091 | 7.0.0 | Published | Jun 07 | http://www.etsi.org/deliver/etsi_ts/126000_126099/126091/07.00.00_60/ |
| Release 8 | | | | | |
| ARIB | ARIB STD-T63-26.091 | 8.0.0 | Approved | Jul 13 | http://www.arib.or.jp/english/html/overview/doc/STD-T63v10_00/2_T63/ARIB-STD-T63/Rel8/26/A26091-800.pdf |
| CCSA | CCSA-TSD-TDD-26.091 | 8.0.0 | Published | Jan 09 | http://www.ccsa.org.cn/english/tc/files.php?docpath=/ITU-R/M.1457/M.1457-12/TDD |
| ETSI | ETSI TS 126 091 | 8.0.0 | Published | Jan 09 | http://www.etsi.org/deliver/etsi_ts/126000_126099/126091/08.00.00_60/ |
| Release 9 | | | | | |
| ARIB | ARIB STD-T63-26.091 | 9.0.0 | Approved | Jul 13 | http://www.arib.or.jp/english/html/overview/doc/STD-T63v10_00/2_T63/ARIB-STD-T63/Rel9/26/A26091-900.pdf |

| | | | | | |
|-------------------|---------------------|--------|-----------|--------|---|
| CCSA | CCSA-TSD-TDD-26.091 | 9.0.0 | Published | Mar 10 | http://www.ccsa.org.cn/english/tc/files.php?docpath=/ITU-R/M.1457/M.1457-12/TDD |
| ETSI | ETSI TS 126 091 | 9.0.0 | Published | Jan 10 | http://www.etsi.org/deliver/etsi_ts/126000_126099/126091/09.00.00_60/ |
| Release 10 | | | | | |
| ARIB | ARIB STD-T63-26.091 | 10.0.0 | Approved | Jul 13 | http://www.arib.or.jp/english/html/overview/doc/STD-T63v10_00/2_T63/ARIB-STD-T63/Rel10/26/A26091-a00.pdf |
| CCSA | CCSA-TSD-TDD-26.091 | 10.0.0 | Published | Jun 12 | http://www.ccsa.org.cn/english/tc/files.php?docpath=/ITU-R/M.1457/M.1457-12/TDD |
| ETSI | ETSI TS 126 091 | 10.0.0 | Published | Apr 11 | http://www.etsi.org/deliver/etsi_ts/126000_126099/126091/10.00.00_60/ |
| Release 11 | | | | | |
| ARIB | ARIB STD-T63-26.091 | 11.0.0 | Approved | Jul 13 | http://www.arib.or.jp/english/html/overview/doc/STD-T63v10_00/2_T63/ARIB-STD-T63/Rel11/26/A26091-b00.pdf |
| CCSA | CCSA-TSD-TDD-26.091 | 11.0.0 | Published | Jun 14 | http://www.ccsa.org.cn/english/tc/files.php?docpath=/ITU-R/M.1457/M.1457-12/TDD |
| ETSI | ETSI TS 126 091 | 11.0.0 | Published | Oct 12 | http://www.etsi.org/deliver/etsi_ts/126000_126099/126091/11.00.00_60/ |

5.3.2.13.90 TS 26.092

Mandatory speech codec speech processing functions; Adaptive Multi-Rate (AMR) speech codec; Comfort noise aspects

This specification describes the detailed requirements for the correct operation of the background acoustic noise evaluation, noise parameter encoding/decoding and comfort noise generation for the AMR speech codec during source controlled rate (SCR) operation.

| SDO (2) | Document No. | Version | Status | Issued date | Location (1) |
|-------------------|---------------------|---------|-----------|-------------|---|
| Release 99 | | | | | |
| ARIB | ARIB STD-T63-26.092 | 3.0.1 | Approved | Jul 13 | http://www.arib.or.jp/english/html/overview/doc/STD-T63v10_00/2_T63/ARIB-STD-T63/R99/26/A26092-301.pdf |
| CCSA | CCSA-TSD-TDD-26.092 | 3.0.1 | Published | Feb 00 | http://www.ccsa.org.cn/english/tc/files.php?docpath=/ITU-R/M.1457/M.1457-12/TDD |
| ETSI | ETSI TS 126 092 | 3.0.1 | Published | Feb 00 | http://www.etsi.org/deliver/etsi_ts/126000_126099/126092/03.00.01_60/ |
| Release 4 | | | | | |
| ARIB | ARIB STD-T63-26.092 | 4.0.0 | Approved | Jul 13 | http://www.arib.or.jp/english/html/overview/doc/STD-T63v10_00/2_T63/ARIB-STD-T63/Rel4/26/A26092-400.pdf |
| CCSA | CCSA-TSD-TDD-26.092 | 4.0.0 | Published | Apr 01 | http://www.ccsa.org.cn/english/tc/files.php?docpath=/ITU-R/M.1457/M.1457-12/TDD |
| ETSI | ETSI TS 126 092 | 4.0.0 | Published | Apr 01 | http://www.etsi.org/deliver/etsi_ts/126000_126099/126092/04.00.00_60/ |
| Release 5 | | | | | |
| ARIB | ARIB STD-T63-26.092 | 5.0.0 | Approved | Jul 13 | http://www.arib.or.jp/english/html/overview/doc/STD-T63v10_00/2_T63/ARIB-STD-T63/Rel5/26/A26092-500.pdf |
| CCSA | CCSA-TSD-TDD-26.092 | 5.0.0 | Published | Jul 02 | http://www.ccsa.org.cn/english/tc/files.php?docpath=/ITU-R/M.1457/M.1457-12/TDD |
| ETSI | ETSI TS 126 092 | 5.0.0 | Published | Jul 02 | http://www.etsi.org/deliver/etsi_ts/126000_126099/126092/05.00.00_60/ |
| Release 6 | | | | | |
| ARIB | ARIB STD-T63-26.092 | 6.0.0 | Approved | Jul 13 | http://www.arib.or.jp/english/html/overview/doc/STD-T63v10_00/2_T63/ARIB-STD-T63/Rel6/26/A26092-600.pdf |
| CCSA | CCSA-TSD-TDD-26.092 | 6.0.0 | Published | Jan 05 | http://www.ccsa.org.cn/english/tc/files.php?docpath=/ITU-R/M.1457/M.1457-12/TDD |
| ETSI | ETSI TS 126 092 | 6.0.0 | Published | Jan 05 | http://www.etsi.org/deliver/etsi_ts/126000_126099/126092/06.00.00_60/ |
| Release 7 | | | | | |
| ARIB | ARIB STD-T63-26.092 | 7.0.0 | Approved | Jul 13 | http://www.arib.or.jp/english/html/overview/doc/STD-T63v10_00/2_T63/ARIB-STD-T63/Rel7/26/A26092-700.pdf |
| CCSA | CCSA-TSD-TDD-26.092 | 7.0.0 | Published | Jun 07 | http://www.ccsa.org.cn/english/tc/files.php?docpath=/ITU-R/M.1457/M.1457-12/TDD |
| ETSI | ETSI TS 126 092 | 7.0.0 | Published | Jun 07 | http://www.etsi.org/deliver/etsi_ts/126000_126099/126092/07.00.00_60/ |
| Release 8 | | | | | |
| ARIB | ARIB STD-T63-26.092 | 8.0.0 | Approved | Jul 13 | http://www.arib.or.jp/english/html/overview/doc/STD-T63v10_00/2_T63/ARIB-STD-T63/Rel8/26/A26092-800.pdf |
| CCSA | CCSA-TSD-TDD-26.092 | 8.0.0 | Published | Jan 09 | http://www.ccsa.org.cn/english/tc/files.php?docpath=/ITU-R/M.1457/M.1457-12/TDD |
| ETSI | ETSI TS 126 092 | 8.0.0 | Published | Jan 09 | http://www.etsi.org/deliver/etsi_ts/126000_126099/126092/08.00.00_60/ |
| Release 9 | | | | | |

| | | | | | |
|-------------------|---------------------|--------|-----------|--------|---|
| ARIB | ARIB STD-T63-26.092 | 9.0.0 | Approved | Jul 13 | http://www.arib.or.jp/english/html/overview/doc/STD-T63v10_00/2_T63/ARIB-STD-T63/Rel9/26/A26092-900.pdf |
| CCSA | CCSA-TSD-TDD-26.092 | 9.0.0 | Published | Mar 10 | http://www.ccsa.org.cn/english/tc/files.php?docpath=/ITU-R/M.1457/M.1457-12/TDD |
| ETSI | ETSI TS 126 092 | 9.0.0 | Published | Jan 10 | http://www.etsi.org/deliver/etsi_ts/126000_126099/126092/09.00.00_60/ |
| Release 10 | | | | | |
| ARIB | ARIB STD-T63-26.092 | 10.0.0 | Approved | Jul 13 | http://www.arib.or.jp/english/html/overview/doc/STD-T63v10_00/2_T63/ARIB-STD-T63/Rel10/26/A26092-a00.pdf |
| CCSA | CCSA-TSD-TDD-26.092 | 10.0.0 | Published | Jun 12 | http://www.ccsa.org.cn/english/tc/files.php?docpath=/ITU-R/M.1457/M.1457-12/TDD |
| ETSI | ETSI TS 126 092 | 10.0.0 | Published | Apr 11 | http://www.etsi.org/deliver/etsi_ts/126000_126099/126092/10.00.00_60/ |
| Release 11 | | | | | |
| ARIB | ARIB STD-T63-26.092 | 11.0.0 | Approved | Jul 13 | http://www.arib.or.jp/english/html/overview/doc/STD-T63v10_00/2_T63/ARIB-STD-T63/Rel11/26/A26092-b00.pdf |
| CCSA | CCSA-TSD-TDD-26.092 | 11.0.0 | Published | Jun 14 | http://www.ccsa.org.cn/english/tc/files.php?docpath=/ITU-R/M.1457/M.1457-12/TDD |
| ETSI | ETSI TS 126 092 | 11.0.0 | Published | Oct 12 | http://www.etsi.org/deliver/etsi_ts/126000_126099/126092/11.00.00_60/ |

5.3.2.13.91 TS 26.093

Mandatory speech codec speech processing functions; Adaptive Multi-Rate (AMR) speech codec; Source controlled rate operation

This specification describes the operation of the AMR speech codec during SCR operation.

| SDO (2) | Document No. | Version | Status | Issued date | Location (1) |
|-------------------|---------------------|---------|-----------|-------------|---|
| Release 99 | | | | | |
| ARIB | ARIB STD-T63-26.093 | 3.3.0 | Approved | Jul 13 | http://www.arib.or.jp/english/html/overview/doc/STD-T63v10_00/2_T63/ARIB-STD-T63/R99/26/A26093-330.pdf |
| CCSA | CCSA-TSD-TDD-26.093 | 3.3.0 | Published | Feb 01 | http://www.ccsa.org.cn/english/tc/files.php?docpath=/ITU-R/M.1457/M.1457-12/TDD |
| ETSI | ETSI TS 126 093 | 3.3.0 | Published | Feb 01 | http://www.etsi.org/deliver/etsi_ts/126000_126099/126093/03.03.00_60/ |
| Release 4 | | | | | |
| ARIB | ARIB STD-T63-26.093 | 4.0.0 | Approved | Jul 13 | http://www.arib.or.jp/english/html/overview/doc/STD-T63v10_00/2_T63/ARIB-STD-T63/Rel4/26/A26093-400.pdf |
| CCSA | CCSA-TSD-TDD-26.093 | 4.0.0 | Published | Aug 02 | http://www.ccsa.org.cn/english/tc/files.php?docpath=/ITU-R/M.1457/M.1457-12/TDD |
| ETSI | ETSI TS 126 093 | 4.0.0 | Published | Aug 02 | http://www.etsi.org/deliver/etsi_ts/126000_126099/126093/04.00.00_60/ |
| Release 5 | | | | | |
| ARIB | ARIB STD-T63-26.093 | 5.2.0 | Approved | Jul 13 | http://www.arib.or.jp/english/html/overview/doc/STD-T63v10_00/2_T63/ARIB-STD-T63/Rel5/26/A26093-520.pdf |
| CCSA | CCSA-TSD-TDD-26.093 | 5.2.0 | Published | Jan 03 | http://www.ccsa.org.cn/english/tc/files.php?docpath=/ITU-R/M.1457/M.1457-12/TDD |
| ETSI | ETSI TS 126 093 | 5.2.0 | Published | Jan 03 | http://www.etsi.org/deliver/etsi_ts/126000_126099/126093/05.02.00_60/ |
| Release 6 | | | | | |
| ARIB | ARIB STD-T63-26.093 | 6.1.0 | Approved | Jul 13 | http://www.arib.or.jp/english/html/overview/doc/STD-T63v10_00/2_T63/ARIB-STD-T63/Rel6/26/A26093-610.pdf |
| CCSA | CCSA-TSD-TDD-26.093 | 6.1.0 | Published | Jul 06 | http://www.ccsa.org.cn/english/tc/files.php?docpath=/ITU-R/M.1457/M.1457-12/TDD |
| ETSI | ETSI TS 126 093 | 6.1.0 | Published | Jul 06 | http://www.etsi.org/deliver/etsi_ts/126000_126099/126093/06.01.00_60/ |
| Release 7 | | | | | |
| ARIB | ARIB STD-T63-26.093 | 7.0.0 | Approved | Jul 13 | http://www.arib.or.jp/english/html/overview/doc/STD-T63v10_00/2_T63/ARIB-STD-T63/Rel7/26/A26093-700.pdf |
| CCSA | CCSA-TSD-TDD-26.093 | 7.0.0 | Published | Jun 07 | http://www.ccsa.org.cn/english/tc/files.php?docpath=/ITU-R/M.1457/M.1457-12/TDD |
| ETSI | ETSI TS 126 093 | 7.0.0 | Published | Jun 07 | http://www.etsi.org/deliver/etsi_ts/126000_126099/126093/07.00.00_60/ |
| Release 8 | | | | | |
| ARIB | ARIB STD-T63-26.093 | 8.0.0 | Approved | Jul 13 | http://www.arib.or.jp/english/html/overview/doc/STD-T63v10_00/2_T63/ARIB-STD-T63/Rel8/26/A26093-800.pdf |
| CCSA | CCSA-TSD-TDD-26.093 | 8.0.0 | Published | Jan 09 | http://www.ccsa.org.cn/english/tc/files.php?docpath=/ITU-R/M.1457/M.1457-12/TDD |
| ETSI | ETSI TS 126 093 | 8.0.0 | Published | Jan 09 | http://www.etsi.org/deliver/etsi_ts/126000_126099/126093/08.00.00_60/ |
| Release 9 | | | | | |

| | | | | | |
|-------------------|---------------------|--------|-----------|--------|---|
| ARIB | ARIB STD-T63-26.093 | 9.0.0 | Approved | Jul 13 | http://www.arib.or.jp/english/html/overview/doc/STD-T63v10_00/2_T63/ARIB-STD-T63/Rel9/26/A26093-900.pdf |
| CCSA | CCSA-TSD-TDD-26.093 | 9.0.0 | Published | Mar 10 | http://www.ccsa.org.cn/english/tc/files.php?docpath=/ITU-R/M.1457/M.1457-12/TDD |
| ETSI | ETSI TS 126 093 | 9.0.0 | Published | Jan 10 | http://www.etsi.org/deliver/etsi_ts/126000_126099/126093/09.00.00_60/ |
| Release 10 | | | | | |
| ARIB | ARIB STD-T63-26.093 | 10.0.0 | Approved | Jul 13 | http://www.arib.or.jp/english/html/overview/doc/STD-T63v10_00/2_T63/ARIB-STD-T63/Rel10/26/A26093-a00.pdf |
| CCSA | CCSA-TSD-TDD-26.093 | 10.0.0 | Published | Jun 12 | http://www.ccsa.org.cn/english/tc/files.php?docpath=/ITU-R/M.1457/M.1457-12/TDD |
| ETSI | ETSI TS 126 093 | 10.0.0 | Published | Apr 11 | http://www.etsi.org/deliver/etsi_ts/126000_126099/126093/10.00.00_60/ |
| Release 11 | | | | | |
| ARIB | ARIB STD-T63-26.093 | 11.0.0 | Approved | Jul 13 | http://www.arib.or.jp/english/html/overview/doc/STD-T63v10_00/2_T63/ARIB-STD-T63/Rel11/26/A26093-b00.pdf |
| CCSA | CCSA-TSD-TDD-26.093 | 11.0.0 | Published | Jun 14 | http://www.ccsa.org.cn/english/tc/files.php?docpath=/ITU-R/M.1457/M.1457-12/TDD |
| ETSI | ETSI TS 126 093 | 11.0.0 | Published | Oct 12 | http://www.etsi.org/deliver/etsi_ts/126000_126099/126093/11.00.00_60/ |

5.3.2.13.92 TS 26.094

Mandatory speech codec speech processing functions; Adaptive Multi-Rate (AMR) speech codec; Voice Activity Detector (VAD)

This specification describes two alternatives for the VAD to be used during SCR operation in conjunction with the AMR codec.

| SDO (2) | Document No. | Version | Status | Issued date | Location (1) |
|-------------------|---------------------|---------|-----------|-------------|---|
| Release 99 | | | | | |
| ARIB | ARIB STD-T63-26.094 | 3.0.0 | Approved | Jul 13 | http://www.arib.or.jp/english/html/overview/doc/STD-T63v10_00/2_T63/ARIB-STD-T63/R99/26/A26094-300.pdf |
| CCSA | CCSA-TSD-TDD-26.094 | 3.0.0 | Published | Feb 00 | http://www.ccsa.org.cn/english/tc/files.php?docpath=/ITU-R/M.1457/M.1457-12/TDD |
| ETSI | ETSI TS 126 094 | 3.0.0 | Published | Feb 00 | http://www.etsi.org/deliver/etsi_ts/126000_126099/126094/03.00.00_60/ |
| Release 4 | | | | | |
| ARIB | ARIB STD-T63-26.094 | 4.0.0 | Approved | Jul 13 | http://www.arib.or.jp/english/html/overview/doc/STD-T63v10_00/2_T63/ARIB-STD-T63/Rel4/26/A26094-400.pdf |
| CCSA | CCSA-TSD-TDD-26.094 | 4.0.0 | Published | Apr 01 | http://www.ccsa.org.cn/english/tc/files.php?docpath=/ITU-R/M.1457/M.1457-12/TDD |
| ETSI | ETSI TS 126 094 | 4.0.0 | Published | Apr 01 | http://www.etsi.org/deliver/etsi_ts/126000_126099/126094/04.00.00_60/ |
| Release 5 | | | | | |
| ARIB | ARIB STD-T63-26.094 | 5.0.0 | Approved | Jul 13 | http://www.arib.or.jp/english/html/overview/doc/STD-T63v10_00/2_T63/ARIB-STD-T63/Rel5/26/A26094-500.pdf |
| CCSA | CCSA-TSD-TDD-26.094 | 5.0.0 | Published | Jul 02 | http://www.ccsa.org.cn/english/tc/files.php?docpath=/ITU-R/M.1457/M.1457-12/TDD |
| ETSI | ETSI TS 126 094 | 5.0.0 | Published | Jul 02 | http://www.etsi.org/deliver/etsi_ts/126000_126099/126094/05.00.00_60/ |
| Release 6 | | | | | |
| ARIB | ARIB STD-T63-26.094 | 6.1.0 | Approved | Jul 13 | http://www.arib.or.jp/english/html/overview/doc/STD-T63v10_00/2_T63/ARIB-STD-T63/Rel6/26/A26094-610.pdf |
| CCSA | CCSA-TSD-TDD-26.094 | 6.1.0 | Published | Jul 06 | http://www.ccsa.org.cn/english/tc/files.php?docpath=/ITU-R/M.1457/M.1457-12/TDD |
| ETSI | ETSI TS 126 094 | 6.1.0 | Published | Jul 06 | http://www.etsi.org/deliver/etsi_ts/126000_126099/126094/06.01.00_60/ |
| Release 7 | | | | | |
| ARIB | ARIB STD-T63-26.094 | 7.0.0 | Approved | Jul 13 | http://www.arib.or.jp/english/html/overview/doc/STD-T63v10_00/2_T63/ARIB-STD-T63/Rel7/26/A26094-700.pdf |
| CCSA | CCSA-TSD-TDD-26.094 | 7.0.0 | Published | Jun 07 | http://www.ccsa.org.cn/english/tc/files.php?docpath=/ITU-R/M.1457/M.1457-12/TDD |
| ETSI | ETSI TS 126 094 | 7.0.0 | Published | Jun 07 | http://www.etsi.org/deliver/etsi_ts/126000_126099/126094/07.00.00_60/ |
| Release 8 | | | | | |
| ARIB | ARIB STD-T63-26.094 | 8.0.0 | Approved | Jul 13 | http://www.arib.or.jp/english/html/overview/doc/STD-T63v10_00/2_T63/ARIB-STD-T63/Rel8/26/A26094-800.pdf |
| CCSA | CCSA-TSD-TDD-26.094 | 8.0.0 | Published | Jan 09 | http://www.ccsa.org.cn/english/tc/files.php?docpath=/ITU-R/M.1457/M.1457-12/TDD |

| | | | | | |
|-------------------|---------------------|--------|-----------|--------|---|
| ETSI | ETSI TS 126 094 | 8.0.0 | Published | Jan 09 | http://www.etsi.org/deliver/etsi_ts/126000_126099/126094/08.00.00_60/ |
| Release 9 | | | | | |
| ARIB | ARIB STD-T63-26.094 | 9.0.0 | Approved | Jul 13 | http://www.arib.or.jp/english/html/overview/doc/STD-T63v10_00/2_T63/ARIB-STD-T63/Rel9/26/A26094-900.pdf |
| CCSA | CCSA-TSD-TDD-26.094 | 9.0.0 | Published | Mar 10 | http://www.ccsa.org.cn/english/tc/files.php?docpath=/ITU-R/M.1457/M.1457-12/TDD |
| ETSI | ETSI TS 126 094 | 9.0.0 | Published | Jan 10 | http://www.etsi.org/deliver/etsi_ts/126000_126099/126094/09.00.00_60/ |
| Release 10 | | | | | |
| ARIB | ARIB STD-T63-26.094 | 10.0.0 | Approved | Jul 13 | http://www.arib.or.jp/english/html/overview/doc/STD-T63v10_00/2_T63/ARIB-STD-T63/Rel10/26/A26094-a00.pdf |
| CCSA | CCSA-TSD-TDD-26.094 | 10.0.0 | Published | Jun 12 | http://www.ccsa.org.cn/english/tc/files.php?docpath=/ITU-R/M.1457/M.1457-12/TDD |
| ETSI | ETSI TS 126 094 | 10.0.0 | Published | Apr 11 | http://www.etsi.org/deliver/etsi_ts/126000_126099/126094/10.00.00_60/ |
| Release 11 | | | | | |
| ARIB | ARIB STD-T63-26.094 | 11.0.0 | Approved | Jul 13 | http://www.arib.or.jp/english/html/overview/doc/STD-T63v10_00/2_T63/ARIB-STD-T63/Rel11/26/A26094-b00.pdf |
| CCSA | CCSA-TSD-TDD-26.094 | 11.0.0 | Published | Jun 14 | http://www.ccsa.org.cn/english/tc/files.php?docpath=/ITU-R/M.1457/M.1457-12/TDD |
| ETSI | ETSI TS 126 094 | 11.0.0 | Published | Oct 12 | http://www.etsi.org/deliver/etsi_ts/126000_126099/126094/11.00.00_60/ |

5.3.2.13.93 TS 26.110

Codec for circuit switched multimedia telephony service; General description

This specification describes an introduction to the set of specifications for the support of circuit-switched 3G-324M multimedia telephony service.

| SDO (2) | Document No. | Version | Status | Issued date | Location (1) |
|-------------------|---------------------|---------|-----------|-------------|---|
| Release 99 | | | | | |
| ARIB | ARIB STD-T63-26.110 | 3.1.0 | Approved | Jul 13 | http://www.arib.or.jp/english/html/overview/doc/STD-T63v10_00/2_T63/ARIB-STD-T63/R99/26/A26110-310.pdf |
| CCSA | CCSA-TSD-TDD-26.110 | 3.1.0 | Published | Apr 01 | http://www.ccsa.org.cn/english/tc/files.php?docpath=/ITU-R/M.1457/M.1457-12/TDD |
| ETSI | ETSI TS 126 110 | 3.1.0 | Published | Apr 01 | http://www.etsi.org/deliver/etsi_ts/126100_126199/126110/03.01.00_60/ |
| Release 4 | | | | | |
| ARIB | ARIB STD-T63-26.110 | 4.1.0 | Approved | Jul 13 | http://www.arib.or.jp/english/html/overview/doc/STD-T63v10_00/2_T63/ARIB-STD-T63/Rel4/26/A26110-410.pdf |
| CCSA | CCSA-TSD-TDD-26.110 | 4.1.0 | Published | Apr 01 | http://www.ccsa.org.cn/english/tc/files.php?docpath=/ITU-R/M.1457/M.1457-12/TDD |
| ETSI | ETSI TS 126 110 | 4.1.0 | Published | Apr 01 | http://www.etsi.org/deliver/etsi_ts/126100_126199/126110/04.01.00_60/ |
| Release 5 | | | | | |
| ARIB | ARIB STD-T63-26.110 | 5.0.0 | Approved | Jul 13 | http://www.arib.or.jp/english/html/overview/doc/STD-T63v10_00/2_T63/ARIB-STD-T63/Rel5/26/A26110-500.pdf |
| CCSA | CCSA-TSD-TDD-26.110 | 5.0.0 | Published | Jul 02 | http://www.ccsa.org.cn/english/tc/files.php?docpath=/ITU-R/M.1457/M.1457-12/TDD |
| ETSI | ETSI TS 126 110 | 5.0.0 | Published | Jul 02 | http://www.etsi.org/deliver/etsi_ts/126100_126199/126110/05.00.00_60/ |
| Release 6 | | | | | |
| ARIB | ARIB STD-T63-26.110 | 6.0.0 | Approved | Jul 13 | http://www.arib.or.jp/english/html/overview/doc/STD-T63v10_00/2_T63/ARIB-STD-T63/Rel6/26/A26110-600.pdf |
| CCSA | CCSA-TSD-TDD-26.110 | 6.0.0 | Published | Jan 05 | http://www.ccsa.org.cn/english/tc/files.php?docpath=/ITU-R/M.1457/M.1457-12/TDD |
| ETSI | ETSI TS 126 110 | 6.0.0 | Published | Jan 05 | http://www.etsi.org/deliver/etsi_ts/126100_126199/126110/06.00.00_60/ |
| Release 7 | | | | | |
| ARIB | ARIB STD-T63-26.110 | 7.0.0 | Approved | Jul 13 | http://www.arib.or.jp/english/html/overview/doc/STD-T63v10_00/2_T63/ARIB-STD-T63/Rel7/26/A26110-700.pdf |
| CCSA | CCSA-TSD-TDD-26.110 | 7.0.0 | Published | Jul 07 | http://www.ccsa.org.cn/english/tc/files.php?docpath=/ITU-R/M.1457/M.1457-12/TDD |
| ETSI | ETSI TS 126 110 | 7.0.0 | Published | Jul 07 | http://www.etsi.org/deliver/etsi_ts/126100_126199/126110/07.00.00_60/ |

Release 8

| | | | | | |
|------|---------------------|-------|-----------|--------|---|
| ARIB | ARIB STD-T63-26.110 | 8.0.0 | Approved | Jul 13 | http://www.arib.or.jp/english/html/overview/doc/STD-T63v10_00/2_T63/ARIB-STD-T63/Rel8/26/A26110-800.pdf |
| CCSA | CCSA-TSD-TDD-26.110 | 8.0.0 | Published | Jan 09 | http://www.ccsa.org.cn/english/tc/files.php?docpath=/ITU-R/M.1457/M.1457-12/TDD |
| ETSI | ETSI TS 126 110 | 8.0.0 | Published | Jan 09 | http://www.etsi.org/deliver/etsi_ts/126100_126199/126110/08.00.00_60/ |

Release 9

| | | | | | |
|------|---------------------|-------|-----------|--------|---|
| ARIB | ARIB STD-T63-26.110 | 9.0.0 | Approved | Jul 13 | http://www.arib.or.jp/english/html/overview/doc/STD-T63v10_00/2_T63/ARIB-STD-T63/Rel9/26/A26110-900.pdf |
| CCSA | CCSA-TSD-TDD-26.110 | 9.0.0 | Published | Mar 10 | http://www.ccsa.org.cn/english/tc/files.php?docpath=/ITU-R/M.1457/M.1457-12/TDD |
| ETSI | ETSI TS 126 110 | 9.0.0 | Published | Jan 10 | http://www.etsi.org/deliver/etsi_ts/126100_126199/126110/09.00.00_60/ |

Release 10

| | | | | | |
|------|---------------------|--------|-----------|--------|---|
| ARIB | ARIB STD-T63-26.110 | 10.0.0 | Approved | Jul 13 | http://www.arib.or.jp/english/html/overview/doc/STD-T63v10_00/2_T63/ARIB-STD-T63/Rel10/26/A26110-a00.pdf |
| CCSA | CCSA-TSD-TDD-26.110 | 10.0.0 | Published | Jun 12 | http://www.ccsa.org.cn/english/tc/files.php?docpath=/ITU-R/M.1457/M.1457-12/TDD |
| ETSI | ETSI TS 126 110 | 10.0.0 | Published | Apr 11 | http://www.etsi.org/deliver/etsi_ts/126100_126199/126110/10.00.00_60/ |

Release 11

| | | | | | |
|------|---------------------|--------|-----------|--------|---|
| ARIB | ARIB STD-T63-26.110 | 11.0.0 | Approved | Jul 13 | http://www.arib.or.jp/english/html/overview/doc/STD-T63v10_00/2_T63/ARIB-STD-T63/Rel11/26/A26110-b00.pdf |
| CCSA | CCSA-TSD-TDD-26.110 | 11.0.0 | Published | Jun 14 | http://www.ccsa.org.cn/english/tc/files.php?docpath=/ITU-R/M.1457/M.1457-12/TDD |
| ETSI | ETSI TS 126 110 | 11.0.0 | Published | Oct 12 | http://www.etsi.org/deliver/etsi_ts/126100_126199/126110/11.00.00_60/ |

5.3.2.13.94 TS 26.111**Codec for circuit switched multimedia telephony service; Modifications to H.324**

This specification describes the modifications applicable to the ITU-T Recommendation H.324, Annex C for the support of circuit-switched 3G 324M multimedia telephony service.

| SDO (2) | Document No. | Version | Status | Issued date | Location (1) |
|-------------------|---------------------|---------|-----------|-------------|---|
| Release 99 | | | | | |
| ARIB | ARIB STD-T63-26.111 | 3.4.0 | Approved | Jul 13 | http://www.arib.or.jp/english/html/overview/doc/STD-T63v10_00/2_T63/ARIB-STD-T63/R99/26/A26111-340.pdf |
| CCSA | CCSA-TSD-TDD-26.111 | 3.4.0 | Published | Feb 01 | http://www.ccsa.org.cn/english/tc/files.php?docpath=/ITU-R/M.1457/M.1457-12/TDD |
| ETSI | ETSI TS 126 111 | 3.4.0 | Published | Feb 01 | http://www.etsi.org/deliver/etsi_ts/126100_126199/126111/03.04.00_60/ |
| Release 4 | | | | | |
| ARIB | ARIB STD-T63-26.111 | 4.0.0 | Approved | Jul 13 | http://www.arib.or.jp/english/html/overview/doc/STD-T63v10_00/2_T63/ARIB-STD-T63/Rel4/26/A26111-400.pdf |
| CCSA | CCSA-TSD-TDD-26.111 | 4.0.0 | Published | Apr 01 | http://www.ccsa.org.cn/english/tc/files.php?docpath=/ITU-R/M.1457/M.1457-12/TDD |
| ETSI | ETSI TS 126 111 | 4.0.0 | Published | Apr 01 | http://www.etsi.org/deliver/etsi_ts/126100_126199/126111/04.00.00_60/ |
| Release 5 | | | | | |
| ARIB | ARIB STD-T63-26.111 | 5.1.0 | Approved | Jul 13 | http://www.arib.or.jp/english/html/overview/doc/STD-T63v10_00/2_T63/ARIB-STD-T63/Rel5/26/A26111-510.pdf |
| CCSA | CCSA-TSD-TDD-26.111 | 5.1.0 | Published | Jul 03 | http://www.ccsa.org.cn/english/tc/files.php?docpath=/ITU-R/M.1457/M.1457-12/TDD |
| ETSI | ETSI TS 126 111 | 5.1.0 | Published | Jul 03 | http://www.etsi.org/deliver/etsi_ts/126100_126199/126111/05.01.00_60/ |
| Release 6 | | | | | |
| ARIB | ARIB STD-T63-26.111 | 6.2.0 | Approved | Jul 13 | http://www.arib.or.jp/english/html/overview/doc/STD-T63v10_00/2_T63/ARIB-STD-T63/Rel6/26/A26111-620.pdf |
| CCSA | CCSA-TSD-TDD-26.111 | 6.2.0 | Published | Jul 08 | http://www.ccsa.org.cn/english/tc/files.php?docpath=/ITU-R/M.1457/M.1457-12/TDD |
| ETSI | ETSI TS 126 111 | 6.2.0 | Published | Jul 08 | http://www.etsi.org/deliver/etsi_ts/126100_126199/126111/06.02.00_60/ |
| Release 7 | | | | | |

| | | | | | |
|-------------------|---------------------|--------|-----------|--------|---|
| ARIB | ARIB STD-T63-26.111 | 7.1.0 | Approved | Jul 13 | http://www.arib.or.jp/english/html/overview/doc/STD-T63v10_00/2_T63/ARIB-STD-T63/Rel7/26/A26111-710.pdf |
| CCSA | CCSA-TSD-TDD-26.111 | 7.1.0 | Published | Jul 08 | http://www.ccsa.org.cn/english/tc/files.php?docpath=/ITU-R/M.1457/M.1457-12/TDD |
| ETSI | ETSI TS 126 111 | 7.1.0 | Published | Jul 08 | http://www.etsi.org/deliver/etsi_ts/126100_126199/126111/07.01.00_60/ |
| Release 8 | | | | | |
| ARIB | ARIB STD-T63-26.111 | 8.0.0 | Approved | Jul 13 | http://www.arib.or.jp/english/html/overview/doc/STD-T63v10_00/2_T63/ARIB-STD-T63/Rel8/26/A26111-800.pdf |
| CCSA | CCSA-TSD-TDD-26.111 | 8.0.0 | Published | Jan 09 | http://www.ccsa.org.cn/english/tc/files.php?docpath=/ITU-R/M.1457/M.1457-12/TDD |
| ETSI | ETSI TS 126 111 | 8.0.0 | Published | Jan 09 | http://www.etsi.org/deliver/etsi_ts/126100_126199/126111/08.00.00_60/ |
| Release 9 | | | | | |
| ARIB | ARIB STD-T63-26.111 | 9.0.0 | Approved | Jul 13 | http://www.arib.or.jp/english/html/overview/doc/STD-T63v10_00/2_T63/ARIB-STD-T63/Rel9/26/A26111-900.pdf |
| CCSA | CCSA-TSD-TDD-26.111 | 9.0.0 | Published | Mar 10 | http://www.ccsa.org.cn/english/tc/files.php?docpath=/ITU-R/M.1457/M.1457-12/TDD |
| ETSI | ETSI TS 126 111 | 9.0.0 | Published | Jan 10 | http://www.etsi.org/deliver/etsi_ts/126100_126199/126111/09.00.00_60/ |
| Release 10 | | | | | |
| ARIB | ARIB STD-T63-26.111 | 10.0.0 | Approved | Jul 13 | http://www.arib.or.jp/english/html/overview/doc/STD-T63v10_00/2_T63/ARIB-STD-T63/Rel10/26/A26111-a00.pdf |
| CCSA | CCSA-TSD-TDD-26.111 | 10.0.0 | Published | Jun 12 | http://www.ccsa.org.cn/english/tc/files.php?docpath=/ITU-R/M.1457/M.1457-12/TDD |
| ETSI | ETSI TS 126 111 | 10.0.0 | Published | Apr 11 | http://www.etsi.org/deliver/etsi_ts/126100_126199/126111/10.00.00_60/ |
| Release 11 | | | | | |
| ARIB | ARIB STD-T63-26.111 | 11.0.0 | Approved | Jul 13 | http://www.arib.or.jp/english/html/overview/doc/STD-T63v10_00/2_T63/ARIB-STD-T63/Rel11/26/A26111-b00.pdf |
| CCSA | CCSA-TSD-TDD-26.111 | 11.0.0 | Published | Jun 14 | http://www.ccsa.org.cn/english/tc/files.php?docpath=/ITU-R/M.1457/M.1457-12/TDD |
| ETSI | ETSI TS 126 111 | 11.0.0 | Published | Oct 12 | http://www.etsi.org/deliver/etsi_ts/126100_126199/126111/11.00.00_60/ |

5.3.2.13.95 TS 26.346

Multimedia Broadcast/Multicast Service (MBMS); Protocols and codecs

This document defines a set of media codecs, formats and transport/application protocols to enable the deployment of MBMS user services either over the MBMS bearer service or other UMTS Bearer Services within the 3GPP system.

In this version of the specification, only MBMS download and streaming delivery methods are specified. This document does not preclude the use of other delivery methods.

This document includes information applicable to network operators, service providers and manufacturers.

| SDO (2) | Document No. | Version | Status | Issued date | Location (1) |
|------------------|---------------------|---------|-----------|-------------|---|
| Release 6 | | | | | |
| ARIB | ARIB STD-T63-26.346 | 6.14.0 | Approved | Jul 13 | http://www.arib.or.jp/english/html/overview/doc/STD-T63v10_00/2_T63/ARIB-STD-T63/Rel6/26/A26346-6e0.pdf |
| CCSA | CCSA-TSD-TDD-26.346 | 6.13.0 | Published | Jun 12 | http://www.ccsa.org.cn/english/tc/files.php?docpath=/ITU-R/M.1457/M.1457-12/TDD |
| ETSI | ETSI TS 126 346 | 6.14.0 | Published | Mar 12 | http://www.etsi.org/deliver/etsi_ts/126300_126399/126346/06.14.00_60/ |
| Release 7 | | | | | |
| ARIB | ARIB STD-T63-26.346 | 7.11.0 | Approved | Jul 13 | http://www.arib.or.jp/english/html/overview/doc/STD-T63v10_00/2_T63/ARIB-STD-T63/Rel7/26/A26346-7b0.pdf |
| CCSA | CCSA-TSD-TDD-26.346 | 7.10.0 | Published | Jun 12 | http://www.ccsa.org.cn/english/tc/files.php?docpath=/ITU-R/M.1457/M.1457-12/TDD |
| ETSI | ETSI TS 126 346 | 7.11.0 | Published | Mar 12 | http://www.etsi.org/deliver/etsi_ts/126300_126399/126346/07.11.00_60/ |
| Release 8 | | | | | |
| ARIB | ARIB STD-T63-26.346 | 8.7.0 | Approved | Jul 13 | http://www.arib.or.jp/english/html/overview/doc/STD-T63v10_00/2_T63/ARIB-STD-T63/Rel8/26/A26346-870.pdf |
| CCSA | CCSA-TSD-TDD-26.346 | 8.6.0 | Published | Jun 12 | http://www.ccsa.org.cn/english/tc/files.php?docpath=/ITU-R/M.1457/M.1457-12/TDD |

| | | | | | |
|-------------------|---------------------|--------|-----------|--------|---|
| ETSI | ETSI TS 126 346 | 8.7.0 | Published | Mar 12 | http://www.etsi.org/deliver/etsi_ts/126300_126399/126346/08.07.00_60/ |
| Release 9 | | | | | |
| ARIB | ARIB STD-T63-26.346 | 9.10.0 | Approved | Jul 13 | http://www.arib.or.jp/english/html/overview/doc/STD-T63v10_00/2_T63/ARIB-STD-T63/Rel9/26/A26346-9a0.pdf |
| CCSA | CCSA-TSD-TDD-26.346 | 9.5.0 | Published | Jun 12 | http://www.ccsa.org.cn/english/tc/files.php?docpath=/ITU-R/M.1457/M.1457-12/TDD |
| ETSI | ETSI TS 126 346 | 9.10.0 | Published | Apr 13 | http://www.etsi.org/deliver/etsi_ts/126300_126399/126346/09.10.00_60/ |
| Release 10 | | | | | |
| ARIB | ARIB STD-T63-26.346 | 10.7.0 | Approved | Jul 13 | http://www.arib.or.jp/english/html/overview/doc/STD-T63v10_00/2_T63/ARIB-STD-T63/Rel10/26/A26346-a70.pdf |
| CCSA | CCSA-TSD-TDD-26.346 | 10.2.0 | Published | Jun 12 | http://www.ccsa.org.cn/english/tc/files.php?docpath=/ITU-R/M.1457/M.1457-12/TDD |
| ETSI | ETSI TS 126 346 | 10.7.0 | Published | Apr 13 | http://www.etsi.org/deliver/etsi_ts/126300_126399/126346/10.07.00_60/ |
| Release 11 | | | | | |
| ARIB | ARIB STD-T63-26.346 | 11.4.0 | Approved | Jul 13 | http://www.arib.or.jp/english/html/overview/doc/STD-T63v10_00/2_T63/ARIB-STD-T63/Rel11/26/A26346-b40.pdf |
| CCSA | CCSA-TSD-TDD-26.346 | 11.9.0 | Published | Jun 14 | http://www.ccsa.org.cn/english/tc/files.php?docpath=/ITU-R/M.1457/M.1457-12/TDD |
| ETSI | ETSI TS 126 346 | 11.4.0 | Published | Apr 13 | http://www.etsi.org/deliver/etsi_ts/126300_126399/126346/11.04.00_60/ |

5.3.2.13.96 TR 26.911

Codec(s) for Circuit-Switched (CS) multimedia telephony service; Terminal implementor's guide

This report describes non-mandatory Recommendations for the use of the different codec implementation options for the circuit-switched 3G-324M multimedia telephony service based on ITU-T Recommendation H.324, Annex C. These Recommendations address issues specific to the third generation operating environment, including guaranteeing sufficient error resilience and inter-working between terminals.

| SDO (2) | Document No. | Version | Status | Issued date | Location (1) |
|-------------------|---------------------|---------|-----------|-------------|---|
| Release 99 | | | | | |
| ARIB | ARIB TR-T12-26.911 | 3.4.0 | Approved | Jul 13 | http://www.arib.or.jp/english/html/overview/doc/STD-T63v10_00/3_T12/ARIB-TR-T12/R99/26/A26911-340.pdf |
| CCSA | CCSA-TSD-TDD-26.911 | 3.4.0 | Published | Apr 03 | http://www.ccsa.org.cn/english/tc/files.php?docpath=/ITU-R/M.1457/M.1457-12/TDD |
| ETSI | ETSI TR 126 911 | 3.4.0 | Published | Apr 03 | http://www.etsi.org/deliver/etsi_tr/126900_126999/126911/03.04.00_60/ |
| Release 4 | | | | | |
| ARIB | ARIB TR-T12-26.911 | 4.2.0 | Approved | Jul 13 | http://www.arib.or.jp/english/html/overview/doc/STD-T63v10_00/3_T12/ARIB-TR-T12/Rel4/26/A26911-420.pdf |
| CCSA | CCSA-TSD-TDD-26.911 | 4.2.0 | Published | Apr 03 | http://www.ccsa.org.cn/english/tc/files.php?docpath=/ITU-R/M.1457/M.1457-12/TDD |
| ETSI | ETSI TR 126 911 | 4.2.0 | Published | Apr 03 | http://www.etsi.org/deliver/etsi_tr/126900_126999/126911/04.02.00_60/ |
| Release 5 | | | | | |
| ARIB | ARIB TR-T12-26.911 | 5.1.0 | Approved | Jul 13 | http://www.arib.or.jp/english/html/overview/doc/STD-T63v10_00/3_T12/ARIB-TR-T12/Rel5/26/A26911-510.pdf |
| CCSA | CCSA-TSD-TDD-26.911 | 5.1.0 | Published | Apr 03 | http://www.ccsa.org.cn/english/tc/files.php?docpath=/ITU-R/M.1457/M.1457-12/TDD |
| ETSI | ETSI TR 126 911 | 5.1.0 | Published | Apr 03 | http://www.etsi.org/deliver/etsi_tr/126900_126999/126911/05.01.00_60/ |
| Release 6 | | | | | |
| ARIB | ARIB TR-T12-26.911 | 6.0.0 | Approved | Jul 13 | http://www.arib.or.jp/english/html/overview/doc/STD-T63v10_00/3_T12/ARIB-TR-T12/Rel6/26/A26911-600.pdf |
| CCSA | CCSA-TSD-TDD-26.911 | 6.0.0 | Published | Jan 05 | http://www.ccsa.org.cn/english/tc/files.php?docpath=/ITU-R/M.1457/M.1457-12/TDD |
| ETSI | ETSI TR 126 911 | 6.0.0 | Published | Jan 05 | http://www.etsi.org/deliver/etsi_tr/126900_126999/126911/06.00.00_60/ |
| Release 7 | | | | | |
| ARIB | ARIB TR-T12-26.911 | 7.1.0 | Approved | Jul 13 | http://www.arib.or.jp/english/html/overview/doc/STD-T63v10_00/3_T12/ARIB-TR-T12/Rel7/26/A26911-710.pdf |
| CCSA | CCSA-TSD-TDD-26.911 | 7.1.0 | Published | Oct 06 | http://www.ccsa.org.cn/english/tc/files.php?docpath=/ITU-R/M.1457/M.1457-12/TDD |
| ETSI | ETSI TR 126 911 | 7.1.0 | Published | Oct 06 | http://www.etsi.org/deliver/etsi_tr/126900_126999/126911/07.01.00_60/ |
| Release 8 | | | | | |

| | | | | | |
|-------------------|---------------------|--------|-----------|--------|---|
| ARIB | ARIB TR-T12-26.911 | 8.0.0 | Approved | Jul 13 | http://www.arib.or.jp/english/html/overview/doc/STD-T63v10_00/3_T12/ARIB-TR-T12/Rel8/26/A26911-800.pdf |
| CCSA | CCSA-TSD-TDD-26.911 | 8.0.0 | Published | Jan 09 | http://www.ccsa.org.cn/english/tc/files.php?docpath=/ITU-R/M.1457/M.1457-12/TDD |
| ETSI | ETSI TR 126 911 | 8.0.0 | Published | Jan 09 | http://www.etsi.org/deliver/etsi_tr/126900_126999/126911/08.00.00_60/ |
| Release 9 | | | | | |
| ARIB | ARIB TR-T12-26.911 | 9.0.0 | Approved | Jul 13 | http://www.arib.or.jp/english/html/overview/doc/STD-T63v10_00/3_T12/ARIB-TR-T12/Rel9/26/A26911-900.pdf |
| CCSA | CCSA-TSD-TDD-26.911 | 9.0.0 | Published | Mar 10 | http://www.ccsa.org.cn/english/tc/files.php?docpath=/ITU-R/M.1457/M.1457-12/TDD |
| ETSI | ETSI TR 126 911 | 9.0.0 | Published | Jan 10 | http://www.etsi.org/deliver/etsi_tr/126900_126999/126911/09.00.00_60/ |
| Release 10 | | | | | |
| ARIB | ARIB TR-T12-26.911 | 10.0.0 | Approved | Jul 13 | http://www.arib.or.jp/english/html/overview/doc/STD-T63v10_00/3_T12/ARIB-TR-T12/Rel10/26/A26911-a00.pdf |
| CCSA | CCSA-TSD-TDD-26.911 | 10.0.0 | Published | Jun 12 | http://www.ccsa.org.cn/english/tc/files.php?docpath=/ITU-R/M.1457/M.1457-12/TDD |
| ETSI | ETSI TR 126 911 | 10.0.0 | Published | Apr 11 | http://www.etsi.org/deliver/etsi_tr/126900_126999/126911/10.00.00_60/ |
| Release 11 | | | | | |
| ARIB | ARIB TR-T12-26.911 | 11.0.0 | Approved | Jul 13 | http://www.arib.or.jp/english/html/overview/doc/STD-T63v10_00/3_T12/ARIB-TR-T12/Rel11/26/A26911-b00.pdf |
| CCSA | CCSA-TSD-TDD-26.911 | 11.0.0 | Published | Jun 14 | http://www.ccsa.org.cn/english/tc/files.php?docpath=/ITU-R/M.1457/M.1457-12/TDD |
| ETSI | ETSI TR 126 911 | 11.0.0 | Published | Oct 12 | http://www.etsi.org/deliver/etsi_tr/126900_126999/126911/11.00.00_60/ |

5.3.2.13.97 TS 32.101

Telecommunication management; Principles and high level requirements

This document establishes and defines the management principles and high-level requirements for the management of PLMNs. In particular, this document identifies the requirements for:

- the upper level of a management system;
- the reference model, showing the elements the management system interacts with;
- the network operator processes needed to run, operate and maintain a network;
- the functional architecture of the management system;
- the principles to be applied to management interfaces.

The requirements identified in this document are directed to the further development of management specifications as well as the development of management products. This document can be seen as guidance for the development of all other technical specifications addressing the management of PLMNs.

| SDO (2) | Document No. | Version | Status | Issued date | Location (1) |
|-------------------|--------------------------|---------|-----------|-------------|---|
| Release 99 | | | | | |
| CCSA | CCSA-TSD-TDD-32.101 | 3.4.0 | Published | Jun 12 | http://www.ccsa.org.cn/english/tc/files.php?docpath=/ITU-R/M.1457/M.1457-12/TDD |
| ETSI | ETSI TS 132 101 | 3.4.0 | Published | Apr 01 | http://www.etsi.org/deliver/etsi_ts/132100_132199/132101/03.04.00_60/ |
| TTC | TS-3GA-32.101(R99)v3.4.0 | 3.4.0 | Approved | Aug 02 | http://www.ttc.or.jp/j/document_list/free/TS/TS-3GA-32.101(R99)v3.4.0.pdf |
| Release 4 | | | | | |

| | | | | | |
|-------------------|-----------------------------|--------|-----------|--------|---|
| CCSA | CCSA-TSD-TDD-32.101 | 4.2.1 | Published | Jun 12 | http://www.ccsa.org.cn/english/tc/files.php?docpath=/ITU-R/M.1457/M.1457-12/TDD |
| ETSI | ETSI TS 132 101 | 4.2.1 | Published | Apr 02 | http://www.etsi.org/deliver/etsi_ts/132100_132199/132101/04.02.01_60/ |
| TTC | TS-3GA-32.101(Rel4)v4.2.0 | 4.2.0 | Approved | Nov 01 | http://www.ttc.or.jp/j/document_list/free/TS/TS-3GA-32.101(Rel4)v4.2.0.pdf |
| Release 5 | | | | | |
| CCSA | CCSA-TSD-TDD-32.101 | 5.5.0 | Published | Jun 12 | http://www.ccsa.org.cn/english/tc/files.php?docpath=/ITU-R/M.1457/M.1457-12/TDD |
| ETSI | ETSI TS 132 101 | 5.5.0 | Published | Oct 03 | http://www.etsi.org/deliver/etsi_ts/132100_132199/132101/05.05.00_60/ |
| TTC | TS-3GA-32.101(Rel5)v5.5.0 | 5.5.0 | Approved | Nov 03 | http://www.ttc.or.jp/j/document_list/free/TS/TS-3GA-32.101(Rel5)v5.5.0.pdf |
| Release 6 | | | | | |
| CCSA | CCSA-TSD-TDD-32.101 | 6.2.0 | Published | Jun 12 | http://www.ccsa.org.cn/english/tc/files.php?docpath=/ITU-R/M.1457/M.1457-12/TDD |
| ETSI | ETSI TS 132 101 | 6.2.0 | Published | Apr 06 | http://www.etsi.org/deliver/etsi_ts/132100_132199/132101/06.02.00_60/ |
| TTC | TS-3GA-32.101(Rel6)v6.2.0 | 6.2.0 | Approved | Mar 07 | http://www.ttc.or.jp/j/document_list/free/TS/TS-3GA-32.101(Rel6)v6.2.0.pdf |
| Release 7 | | | | | |
| CCSA | CCSA-TSD-TDD-32.101 | 7.4.0 | Published | Jun 12 | http://www.ccsa.org.cn/english/tc/files.php?docpath=/ITU-R/M.1457/M.1457-12/TDD |
| ETSI | ETSI TS 132 101 | 7.4.0 | Published | Jan 08 | http://www.etsi.org/deliver/etsi_ts/132100_132199/132101/07.04.00_60/ |
| TTC | TS-3GA-32.101(Rel7)v7.4.0 | 7.4.0 | Approved | Feb 09 | http://www.ttc.or.jp/j/document_list/free/3gpps2009/TS/TS-3GA-32.101(Rel7)v7.4.0.pdf |
| Release 8 | | | | | |
| CCSA | CCSA-TSD-TDD-32.101 | 8.5.0 | Published | Jun 12 | http://www.ccsa.org.cn/english/tc/files.php?docpath=/ITU-R/M.1457/M.1457-12/TDD |
| ETSI | ETSI TS 132 101 | 8.5.0 | Published | Apr 10 | http://www.etsi.org/deliver/etsi_ts/132100_132199/132101/08.05.00_60/ |
| TTC | TS-3GA-32.101(Rel8)v8.5.0 | 8.5.0 | Approved | Jul 10 | http://www.ttc.or.jp/j/document_list/free/3gpps2010/TS/TS-3GA-32.101(Rel8)v8.5.0.pdf |
| Release 9 | | | | | |
| CCSA | CCSA-TSD-TDD-32.101 | 9.1.0 | Published | Jun 12 | http://www.ccsa.org.cn/english/tc/files.php?docpath=/ITU-R/M.1457/M.1457-12/TDD |
| ETSI | ETSI TS 132 101 | 9.1.0 | Published | Apr 10 | http://www.etsi.org/deliver/etsi_ts/132100_132199/132101/09.01.00_60/ |
| TTC | TS-3GA-32.101(Rel9)v9.1.0 | 9.1.0 | Approved | Jul 10 | http://www.ttc.or.jp/j/document_list/free/3gpps2010/TS/TS-3GA-32.101(Rel9)v9.1.0.pdf |
| Release 10 | | | | | |
| CCSA | CCSA-TSD-TDD-32.101 | 10.0.0 | Published | Jun 12 | http://www.ccsa.org.cn/english/tc/files.php?docpath=/ITU-R/M.1457/M.1457-12/TDD |
| ETSI | ETSI TS 132 101 | 10.0.0 | Published | May 11 | http://www.etsi.org/deliver/etsi_ts/132100_132199/132101/10.00.00_60/ |
| TTC | TS-3GA-32.101(Rel10)v10.0.0 | 10.0.0 | Approved | Jun 11 | http://www.ttc.or.jp/j/document_list/free/3gpps2011/TS/TS-3GA-32.101(Rel10)v10.0.0.pdf |
| Release 11 | | | | | |
| CCSA | CCSA-TSD-TDD-32.101 | 11.2.0 | Published | Jun 14 | http://www.ccsa.org.cn/english/tc/files.php?docpath=/ITU-R/M.1457/M.1457-12/TDD |
| ETSI | ETSI TS 132 101 | 11.1.0 | Published | Jan 13 | http://www.etsi.org/deliver/etsi_ts/132100_132199/132101/11.01.00_60/ |
| TTC | TS-3GA-32.101(Rel11)v11.1.0 | 11.1.0 | Approved | Jun 13 | http://www.ttc.or.jp/j/document_list/free/3gpps2013/TS/TS-3GA-32.101(Rel11)v11.1.0.pdf |

5.3.2.13.98 TS 32.102

Telecommunication management; Architecture

This document identifies and standardizes the most important and strategic contexts in the physical architecture for the management of PLMNs. It serves as a framework to help define a telecom management physical architecture for a planned PLMN and to adopt standards and provide products that are easy to integrate. The requirements identified in this document are applicable to all further development of 3GPP Telecom Management specifications as well as the development of PLMN Management products. This document can be seen as guidance for the development of all other technical specifications addressing the management of PLMNs, except TS 32.101.

| SDO (2) | Document No. | Version | Status | Issued date | Location (1) |
|---------|--------------|---------|--------|-------------|--------------|
|---------|--------------|---------|--------|-------------|--------------|

Release 99

| | | | | | |
|------|--------------------|-------|-----------|--------|---|
| CCSA | CCSA-TSD-DS-32.102 | 3.2.0 | Published | Jun 12 | http://www.ccsa.org.cn/english/tc/files.php?docpath=/ITU-R/M.1457/M.1457-12/DS/ |
| ETSI | ETSI TS 132 102 | 3.2.0 | Published | Aug 00 | http://www.etsi.org/deliver/etsi_ts/132100_132199/132102/03.02.00_60/ |
| TTC | JP-3GA-32.102(R99) | 3.2.0 | Approved | Nov 00 | http://www.ttc.or.jp/j/document_list/pdf/j/STD/JP-3GA-32.102(R99)v2.pdf |

Release 4

| | | | | | |
|------|---------------------------|-------|-----------|--------|---|
| CCSA | CCSA-TSD-DS-32.102 | 4.5.0 | Published | Jun 12 | http://www.ccsa.org.cn/english/tc/files.php?docpath=/ITU-R/M.1457/M.1457-12/DS/ |
| ETSI | ETSI TS 132 102 | 4.5.0 | Published | Apr 04 | http://www.etsi.org/deliver/etsi_ts/132100_132199/132102/04.05.00_60/ |
| TTC | TS-3GA-32.102(Rel4)v4.5.0 | 4.5.0 | Approved | May 04 | http://www.ttc.or.jp/j/document_list/free/TS/TS-3GA-32.102(Rel4)v4.5.0.pdf |

Release 5

| | | | | | |
|------|---------------------------|-------|-----------|--------|---|
| CCSA | CCSA-TSD-DS-32.102 | 5.6.0 | Published | Jun 12 | http://www.ccsa.org.cn/english/tc/files.php?docpath=/ITU-R/M.1457/M.1457-12/DS/ |
| ETSI | ETSI TS 132 102 | 5.6.0 | Published | Apr 04 | http://www.etsi.org/deliver/etsi_ts/132100_132199/132102/05.06.00_60/ |
| TTC | TS-3GA-32.102(Rel5)v5.6.0 | 5.6.0 | Approved | May 04 | http://www.ttc.or.jp/j/document_list/free/TS/TS-3GA-32.102(Rel5)v5.6.0.pdf |

Release 6

| | | | | | |
|------|---------------------------|-------|-----------|--------|---|
| CCSA | CCSA-TSD-DS-32.102 | 6.3.0 | Published | Jun 12 | http://www.ccsa.org.cn/english/tc/files.php?docpath=/ITU-R/M.1457/M.1457-12/DS/ |
| ETSI | ETSI TS 132 102 | 6.3.0 | Published | Jan 05 | http://www.etsi.org/deliver/etsi_ts/132100_132199/132102/06.03.00_60/ |
| TTC | TS-3GA-32.102(Rel6)v6.3.0 | 6.3.0 | Approved | May 05 | http://www.ttc.or.jp/j/document_list/free/TS/TS-3GA-32.102(Rel6)v6.3.0.pdf |

Release 7

| | | | | | |
|------|---------------------------|-------|-----------|--------|---|
| CCSA | CCSA-TSD-DS-32.102 | 7.2.0 | Published | Jun 12 | http://www.ccsa.org.cn/english/tc/files.php?docpath=/ITU-R/M.1457/M.1457-12/DS/ |
| ETSI | ETSI TS 132 102 | 7.2.0 | Published | Jan 08 | http://www.etsi.org/deliver/etsi_ts/132100_132199/132102/07.02.00_60/ |
| TTC | TS-3GA-32.102(Rel7)v7.2.0 | 7.2.0 | Approved | Feb 09 | http://www.ttc.or.jp/j/document_list/free/3gpps2009/TS/TS-3GA-32.102(Rel7)v7.2.0.pdf |

Release 8

| | | | | | |
|------|---------------------------|-------|-----------|--------|---|
| CCSA | CCSA-TSD-DS-32.102 | 8.3.0 | Published | Jun 12 | http://www.ccsa.org.cn/english/tc/files.php?docpath=/ITU-R/M.1457/M.1457-12/DS/ |
| ETSI | ETSI TS 132 102 | 8.3.0 | Published | Jan 10 | http://www.etsi.org/deliver/etsi_ts/132100_132199/132102/08.03.00_60/ |
| TTC | TS-3GA-32.102(Rel8)v8.3.0 | 8.3.0 | Approved | Apr 10 | http://www.ttc.or.jp/j/document_list/free/3gpps2010/TS/TS-3GA-32.102(Rel8)v8.3.0.pdf |

Release 9

| | | | | | |
|------|---------------------------|-------|-----------|--------|---|
| CCSA | CCSA-TSD-DS-32.102 | 9.0.0 | Published | Jun 12 | http://www.ccsa.org.cn/english/tc/files.php?docpath=/ITU-R/M.1457/M.1457-12/DS/ |
| ETSI | ETSI TS 132 102 | 9.0.0 | Published | Jan 10 | http://www.etsi.org/deliver/etsi_ts/132100_132199/132102/09.00.00_60/ |
| TTC | TS-3GA-32.102(Rel9)v9.0.0 | 9.0.0 | Approved | Jul 10 | http://www.ttc.or.jp/j/document_list/free/3gpps2010/TS/TS-3GA-32.102(Rel9)v9.0.0.pdf |

Release 10

| | | | | | |
|------|-----------------------------|--------|-----------|--------|---|
| CCSA | CCSA-TSD-DS-32.102 | 10.0.0 | Published | Jun 12 | http://www.ccsa.org.cn/english/tc/files.php?docpath=/ITU-R/M.1457/M.1457-12/DS/ |
| ETSI | ETSI TS 132 102 | 10.0.0 | Published | Apr 11 | http://www.etsi.org/deliver/etsi_ts/132100_132199/132102/10.00.00_60/ |
| TTC | TS-3GA-32.102(Rel10)v10.0.0 | 10.0.0 | Approved | Jun 11 | http://www.ttc.or.jp/j/document_list/free/3gpps2011/TS/TS-3GA-32.102(Rel10)v10.0.0.pdf |

Release 11

| | | | | | |
|------|-----------------------------|--------|-----------|--------|---|
| CCSA | CCSA-TSD-DS-32.102 | 11.2.0 | Published | Jun 14 | http://www.ccsa.org.cn/english/tc/files.php?docpath=/ITU-R/M.1457/M.1457-12/DS/ |
| ETSI | ETSI TS 132 102 | 11.0.0 | Published | Oct 12 | http://www.etsi.org/deliver/etsi_ts/132100_132199/132102/11.00.00_60/ |
| TTC | TS-3GA-32.102(Rel11)v11.0.0 | 11.0.0 | Approved | Jun 13 | http://www.ttc.or.jp/j/document_list/free/3gpps2013/TS/TS-3GA-32.102(Rel11)v11.0.0.pdf |

5.3.2.13.99 TS 32.103**Telecommunication management; Integration Reference Point (IRP) overview and usage guide**

This document gives an overview about 3GPP's management interface capabilities and related functionality. It provides high-level information about IRP Framework, available IRPs as well as their relationship with each other. This document is intended to be a guide into the world of 3GPP management

specifications, enabling also non-subject matter experts to gain an understanding about 3GPP's management solutions. It also provides IRP packaging suggestions, intended to guide service providers as well as equipment and solutions providers to identify and choose suitable standardized management interface capabilities.

| SDO (2) | Document No. | Version | Status | Issued date | Location (1) |
|-------------------|-----------------------------|---------|-----------|-------------|---|
| Release 10 | | | | | |
| CCSA | CCSA-TSD-DS-32.103 | 10.0.0 | Published | Jun 14 | http://www.ccsa.org.cn/english/tc/files.php?docpath=/ITU-R/M.1457/M.1457-12/DS/ |
| ETSI | ETSI TS 132 103 | 10.0.0 | Published | Jul 11 | http://www.etsi.org/deliver/etsi_ts/132100_132199/132103/10.00.00_60/ |
| TTC | TS-3GA-32.103(Rel10)v10.0.0 | 10.0.0 | Approved | Aug 11 | http://www.ttc.or.jp/j/document_list/free/3gpps2011/TS/TS-3GA-32.103(Rel10)v10.0.0.pdf |
| Release 11 | | | | | |
| ETSI | ETSI TS 132 103 | 11.2.0 | Published | Apr 13 | http://www.etsi.org/deliver/etsi_ts/132100_132199/132103/11.02.00_60/ |
| TTC | TS-3GA-32.103(Rel11)v11.2.0 | 11.2.0 | Approved | Jun 13 | http://www.ttc.or.jp/j/document_list/free/3gpps2013/TS/TS-3GA-32.103(Rel11)v11.2.0.pdf |

5.3.2.13.100 TS 32.150

Telecommunication management; Integration Reference Point (IRP) Concept and definitions

This document provides the overall concept for all Integration Reference Point (IRP) specifications. Relevant IRP overview and high-level definitions are already provided in 3GPP TS 32.101 and TS 32.102. IRP specifications are intended to be applicable to any management interface developed in 3GPP SA5.

| SDO (2) | Document No. | Version | Status | Issued date | Location (1) |
|-------------------|-----------------------------|---------|-----------|-------------|---|
| Release 6 | | | | | |
| CCSA | CCSA-TSD-DS-32.150 | 6.3.0 | Published | Jun 12 | http://www.ccsa.org.cn/english/tc/files.php?docpath=/ITU-R/M.1457/M.1457-12/DS/ |
| ETSI | ETSI TS 132 150 | 6.5.0 | Published | Apr 06 | http://www.etsi.org/deliver/etsi_ts/132100_132199/132150/06.05.00_60/ |
| TTC | TS-3GA-32.150(Rel6)v6.5.0 | 6.5.0 | Approved | Mar 07 | http://www.ttc.or.jp/j/document_list/free/TS/TS-3GA-32.150(Rel6)v6.5.0.pdf |
| Release 7 | | | | | |
| CCSA | CCSA-TSD-DS-32.150 | 7.2.0 | Published | Jun 12 | http://www.ccsa.org.cn/english/tc/files.php?docpath=/ITU-R/M.1457/M.1457-12/DS/ |
| ETSI | ETSI TS 132 150 | 7.3.0 | Published | Apr 08 | http://www.etsi.org/deliver/etsi_ts/132100_132199/132150/07.03.00_60/ |
| TTC | TS-3GA-32.150(Rel7)v7.3.0 | 7.3.0 | Approved | Feb 09 | http://www.ttc.or.jp/j/document_list/free/3gpps2009/TS/TS-3GA-32.150(Rel7)v7.3.0.pdf |
| Release 8 | | | | | |
| CCSA | CCSA-TSD-DS-32.150 | 8.3.0 | Published | Jun 12 | http://www.ccsa.org.cn/english/tc/files.php?docpath=/ITU-R/M.1457/M.1457-12/DS/ |
| ETSI | ETSI TS 132 150 | 8.3.0 | Published | Apr 09 | http://www.etsi.org/deliver/etsi_ts/132100_132199/132150/08.03.00_60/ |
| TTC | TS-3GA-32.150(Rel8)v8.3.0 | 8.3.0 | Approved | Jul 09 | http://www.ttc.or.jp/j/document_list/free/3gpps2009/TS/TS-3GA-32.150(Rel8)v8.3.0.pdf |
| Release 9 | | | | | |
| CCSA | CCSA-TSD-DS-32.150 | 9.0.0 | Published | Jun 12 | http://www.ccsa.org.cn/english/tc/files.php?docpath=/ITU-R/M.1457/M.1457-12/DS/ |
| ETSI | ETSI TS 132 150 | 9.2.0 | Published | Oct 10 | http://www.etsi.org/deliver/etsi_ts/132100_132199/132150/09.02.00_60/ |
| TTC | TS-3GA-32.150(Rel9)v9.2.0 | 9.2.0 | Approved | Dec 10 | http://www.ttc.or.jp/j/document_list/free/3gpps2010/TS/TS-3GA-32.150(Rel9)v9.2.0.pdf |
| Release 10 | | | | | |
| CCSA | CCSA-TSD-DS-32.150 | 10.0.0 | Published | Jun 12 | http://www.ccsa.org.cn/english/tc/files.php?docpath=/ITU-R/M.1457/M.1457-12/DS/ |
| ETSI | ETSI TS 132 150 | 10.2.0 | Published | Apr 11 | http://www.etsi.org/deliver/etsi_ts/132100_132199/132150/10.02.00_60/ |
| TTC | TS-3GA-32.150(Rel10)v10.2.0 | 10.2.0 | Approved | Jun 11 | http://www.ttc.or.jp/j/document_list/free/3gpps2011/TS/TS-3GA-32.150(Rel10)v10.2.0.pdf |
| Release 11 | | | | | |
| CCSA | CCSA-TSD-DS-32.150 | 11.3.0 | Published | Jun 14 | http://www.ccsa.org.cn/english/tc/files.php?docpath=/ITU-R/M.1457/M.1457-12/DS/ |

| | | | | | |
|------|-----------------------------|--------|-----------|--------|---|
| ETSI | ETSI TS 132 150 | 11.2.0 | Published | Apr 13 | http://www.etsi.org/deliver/etsi_ts/132100_132199/132150/11.02.00_60/ |
| TTC | TS-3GA-32.150(Rel11)v11.2.0 | 11.2.0 | Approved | Jun 13 | http://www.ttc.or.jp/j/document_list/free/3gpps2013/TS/TS-3GA-32.150(Rel11)v11.2.0.pdf |

5.3.2.13.101 TS 33.102

3G security; Security architecture

Provides a specification of all security mechanisms and protocols, except algorithms.

| SDO (2) | Document No. | Version | Status | Issued date | Location (1) |
|-------------------|---------------------|---------|-----------|-------------|---|
| Release 99 | | | | | |
| ARIB | ARIB STD-T63-33.102 | 3.13.0 | Approved | Jul 13 | http://www.arib.or.jp/english/html/overview/doc/STD-T63v10_00/2_T63/ARIB-STD-T63/R99/33/A33102-3d0.pdf |
| CCSA | CCSA-TSD-TDD-33.102 | 3.13.0 | Published | Jan 03 | http://www.ccsa.org.cn/english/tc/files.php?docpath=/ITU-R/M.1457/M.1457-12/TDD |
| ETSI | ETSI TS 133 102 | 3.13.0 | Published | Jan 03 | http://www.etsi.org/deliver/etsi_ts/133100_133199/133102/03.13.00_60/ |
| Release 4 | | | | | |
| ARIB | ARIB STD-T63-33.102 | 4.5.0 | Approved | Jul 13 | http://www.arib.or.jp/english/html/overview/doc/STD-T63v10_00/2_T63/ARIB-STD-T63/Rel4/33/A33102-450.pdf |
| CCSA | CCSA-TSD-TDD-33.102 | 4.5.0 | Published | Jan 03 | http://www.ccsa.org.cn/english/tc/files.php?docpath=/ITU-R/M.1457/M.1457-12/TDD |
| ETSI | ETSI TS 133 102 | 4.5.0 | Published | Jan 03 | http://www.etsi.org/deliver/etsi_ts/133100_133199/133102/04.05.00_60/ |
| Release 5 | | | | | |
| ARIB | ARIB STD-T63-33.102 | 5.7.0 | Approved | Jul 13 | http://www.arib.or.jp/english/html/overview/doc/STD-T63v10_00/2_T63/ARIB-STD-T63/Rel5/33/A33102-570.pdf |
| CCSA | CCSA-TSD-TDD-33.102 | 5.7.0 | Published | Jan 06 | http://www.ccsa.org.cn/english/tc/files.php?docpath=/ITU-R/M.1457/M.1457-12/TDD |
| ETSI | ETSI TS 133 102 | 5.7.0 | Published | Jan 06 | http://www.etsi.org/deliver/etsi_ts/133100_133199/133102/05.07.00_60/ |
| Release 6 | | | | | |
| ARIB | ARIB STD-T63-33.102 | 6.5.0 | Approved | Jul 13 | http://www.arib.or.jp/english/html/overview/doc/STD-T63v10_00/2_T63/ARIB-STD-T63/Rel6/33/A33102-650.pdf |
| CCSA | CCSA-TSD-TDD-33.102 | 6.5.0 | Published | Jan 06 | http://www.ccsa.org.cn/english/tc/files.php?docpath=/ITU-R/M.1457/M.1457-12/TDD |
| ETSI | ETSI TS 133 102 | 6.5.0 | Published | Jan 06 | http://www.etsi.org/deliver/etsi_ts/133100_133199/133102/06.05.00_60/ |
| Release 7 | | | | | |
| ARIB | ARIB STD-T63-33.102 | 7.1.0 | Approved | Jul 13 | http://www.arib.or.jp/english/html/overview/doc/STD-T63v10_00/2_T63/ARIB-STD-T63/Rel7/33/A33102-710.pdf |
| CCSA | CCSA-TSD-TDD-33.102 | 7.1.0 | Published | Dec 06 | http://www.ccsa.org.cn/english/tc/files.php?docpath=/ITU-R/M.1457/M.1457-12/TDD |
| ETSI | ETSI TS 133 102 | 7.1.0 | Published | Dec 06 | http://www.etsi.org/deliver/etsi_ts/133100_133199/133102/07.01.00_60/ |
| Release 8 | | | | | |
| ARIB | ARIB STD-T63-33.102 | 8.6.0 | Approved | Jul 13 | http://www.arib.or.jp/english/html/overview/doc/STD-T63v10_00/2_T63/ARIB-STD-T63/Rel8/33/A33102-860.pdf |
| CCSA | CCSA-TSD-TDD-33.102 | 8.6.0 | Published | Jun 12 | http://www.ccsa.org.cn/english/tc/files.php?docpath=/ITU-R/M.1457/M.1457-12/TDD |
| ETSI | ETSI TS 133 102 | 8.6.0 | Published | Apr 10 | http://www.etsi.org/deliver/etsi_ts/133100_133199/133102/08.06.00_60/ |
| Release 9 | | | | | |
| ARIB | ARIB STD-T63-33.102 | 9.4.0 | Approved | Jul 13 | http://www.arib.or.jp/english/html/overview/doc/STD-T63v10_00/2_T63/ARIB-STD-T63/Rel9/33/A33102-940.pdf |
| CCSA | CCSA-TSD-TDD-33.102 | 9.4.0 | Published | Jun 12 | http://www.ccsa.org.cn/english/tc/files.php?docpath=/ITU-R/M.1457/M.1457-12/TDD |
| ETSI | ETSI TS 133 102 | 9.4.0 | Published | Jan 11 | http://www.etsi.org/deliver/etsi_ts/133100_133199/133102/09.04.00_60/ |
| Release 10 | | | | | |
| ARIB | ARIB STD-T63-33.102 | 10.0.0 | Approved | Jul 13 | http://www.arib.or.jp/english/html/overview/doc/STD-T63v10_00/2_T63/ARIB-STD-T63/Rel10/33/A33102-a00.pdf |
| CCSA | CCSA-TSD-TDD-33.102 | 10.0.0 | Published | Jun 12 | http://www.ccsa.org.cn/english/tc/files.php?docpath=/ITU-R/M.1457/M.1457-12/TDD |
| ETSI | ETSI TS 133 102 | 10.0.0 | Published | May 11 | http://www.etsi.org/deliver/etsi_ts/133100_133199/133102/10.00.00_60/ |
| Release 11 | | | | | |
| ARIB | ARIB STD-T63-33.102 | 11.5.0 | Approved | Jul 13 | http://www.arib.or.jp/english/html/overview/doc/STD-T63v10_00/2_T63/ARIB-STD-T63/Rel11/33/A33102-b50.pdf |

| | | | | | |
|------|---------------------|--------|-----------|--------|---|
| CCSA | CCSA-TSD-TDD-33.102 | 11.6.0 | Published | Jun 14 | http://www.ccsa.org.cn/english/tc/files.php?docpath=/ITU-R/M.1457/M.1457-12/TDD |
| ETSI | ETSI TS 133 102 | 11.5.0 | Published | Feb 13 | http://www.etsi.org/deliver/etsi_ts/133100_133199/133102/11.05.00_60/ |

5.3.2.13.102 TS 33.103

3G security; Integration guidelines

Defines how elements of the 3G-security architecture are to be integrated into some entities of the system architecture.

| SDO (2) | Document No. | Version | Status | Issued date | Location (1) |
|-------------------|---------------------|---------|-----------|-------------|---|
| Release 99 | | | | | |
| ARIB | ARIB STD-T63-33.103 | 3.7.0 | Approved | Jul 13 | http://www.arib.or.jp/english/html/overview/doc/STD-T63v10_00/2_T63/ARIB-STD-T63/R99/33/A33103-370.pdf |
| CCSA | CCSA-TSD-TDD-33.103 | 3.7.0 | Published | Oct 01 | http://www.ccsa.org.cn/english/tc/files.php?docpath=/ITU-R/M.1457/M.1457-12/TDD |
| ETSI | ETSI TS 133 103 | 3.7.0 | Published | Oct 01 | http://www.etsi.org/deliver/etsi_ts/133100_133199/133103/03.07.00_60/ |
| Release 4 | | | | | |
| ARIB | ARIB STD-T63-33.103 | 4.2.0 | Approved | Jul 13 | http://www.arib.or.jp/english/html/overview/doc/STD-T63v10_00/2_T63/ARIB-STD-T63/Rel4/33/A33103-420.pdf |
| CCSA | CCSA-TSD-TDD-33.103 | 4.2.0 | Published | Oct 01 | http://www.ccsa.org.cn/english/tc/files.php?docpath=/ITU-R/M.1457/M.1457-12/TDD |
| ETSI | ETSI TS 133 103 | 4.2.0 | Published | Oct 01 | http://www.etsi.org/deliver/etsi_ts/133100_133199/133103/04.02.00_60/ |
| Release 11 | | | | | |
| CCSA | CCSA-TSD-TDD-33.103 | 11.4.0 | Published | Jun 14 | http://www.ccsa.org.cn/english/tc/files.php?docpath=/ITU-R/M.1457/M.1457-12/DS/ |

5.3.2.13.103 TS 33.105

3G Security; Cryptographic algorithm requirements

Defines requirements for standard cipher and integrity algorithm.

| SDO (2) | Document No. | Version | Status | Issued date | Location (1) |
|-------------------|---------------------|---------|-----------|-------------|---|
| Release 99 | | | | | |
| ARIB | ARIB STD-T63-33.105 | 3.8.0 | Approved | Jul 13 | http://www.arib.or.jp/english/html/overview/doc/STD-T63v10_00/2_T63/ARIB-STD-T63/R99/33/A33105-380.pdf |
| CCSA | CCSA-TSD-TDD-33.105 | 3.8.0 | Published | Jul 01 | http://www.ccsa.org.cn/english/tc/files.php?docpath=/ITU-R/M.1457/M.1457-12/TDD |
| ETSI | ETSI TS 133 105 | 3.8.0 | Published | Jul 01 | http://www.etsi.org/deliver/etsi_ts/133100_133199/133105/03.08.00_60/ |
| Release 4 | | | | | |
| ARIB | ARIB STD-T63-33.105 | 4.2.0 | Approved | Jul 13 | http://www.arib.or.jp/english/html/overview/doc/STD-T63v10_00/2_T63/ARIB-STD-T63/Rel4/33/A33105-420.pdf |
| CCSA | CCSA-TSD-TDD-33.105 | 4.2.0 | Published | Jul 04 | http://www.ccsa.org.cn/english/tc/files.php?docpath=/ITU-R/M.1457/M.1457-12/TDD |
| ETSI | ETSI TS 133 105 | 4.2.0 | Published | Jul 04 | http://www.etsi.org/deliver/etsi_ts/133100_133199/133105/04.02.00_60/ |
| Release 5 | | | | | |
| ARIB | ARIB STD-T63-33.105 | 5.0.0 | Approved | Jul 13 | http://www.arib.or.jp/english/html/overview/doc/STD-T63v10_00/2_T63/ARIB-STD-T63/Rel5/33/A33105-500.pdf |
| CCSA | CCSA-TSD-TDD-33.105 | 5.0.0 | Published | Jul 04 | http://www.ccsa.org.cn/english/tc/files.php?docpath=/ITU-R/M.1457/M.1457-12/TDD |
| ETSI | ETSI TS 133 105 | 5.0.0 | Published | Jul 04 | http://www.etsi.org/deliver/etsi_ts/133100_133199/133105/05.00.00_60/ |
| Release 6 | | | | | |
| ARIB | ARIB STD-T63-33.105 | 6.0.0 | Approved | Jul 13 | http://www.arib.or.jp/english/html/overview/doc/STD-T63v10_00/2_T63/ARIB-STD-T63/Rel6/33/A33105-600.pdf |
| CCSA | CCSA-TSD-TDD-33.105 | 6.0.0 | Published | Jan 05 | http://www.ccsa.org.cn/english/tc/files.php?docpath=/ITU-R/M.1457/M.1457-12/TDD |
| ETSI | ETSI TS 133 105 | 6.0.0 | Published | Jan 05 | http://www.etsi.org/deliver/etsi_ts/133100_133199/133105/06.00.00_60/ |
| Release 7 | | | | | |

| | | | | | |
|-------------------|---------------------|--------|-----------|--------|---|
| ARIB | ARIB STD-T63-33.105 | 7.0.0 | Approved | Jul 13 | http://www.arib.or.jp/english/html/overview/doc/STD-T63v10_00/2_T63/ARIB-STD-T63/Rel7/33/A33105-700.pdf |
| CCSA | CCSA-TSD-TDD-33.105 | 7.0.0 | Published | Jul 07 | http://www.ccsa.org.cn/english/tc/files.php?docpath=/ITU-R/M.1457/M.1457-12/TDD |
| ETSI | ETSI TS 133 105 | 7.0.0 | Published | Jul 07 | http://www.etsi.org/deliver/etsi_ts/133100_133199/133105/07.00.00_60/ |
| Release 8 | | | | | |
| ARIB | ARIB STD-T63-33.105 | 8.0.0 | Approved | Jul 13 | http://www.arib.or.jp/english/html/overview/doc/STD-T63v10_00/2_T63/ARIB-STD-T63/Rel8/33/A33105-800.pdf |
| CCSA | CCSA-TSD-TDD-33.105 | 8.0.0 | Published | Feb 09 | http://www.ccsa.org.cn/english/tc/files.php?docpath=/ITU-R/M.1457/M.1457-12/TDD |
| ETSI | ETSI TS 133 105 | 8.0.0 | Published | Feb 09 | http://www.etsi.org/deliver/etsi_ts/133100_133199/133105/08.00.00_60/ |
| Release 9 | | | | | |
| ARIB | ARIB STD-T63-33.105 | 9.0.0 | Approved | Jul 13 | http://www.arib.or.jp/english/html/overview/doc/STD-T63v10_00/2_T63/ARIB-STD-T63/Rel9/33/A33105-900.pdf |
| CCSA | CCSA-TSD-TDD-33.105 | 9.0.0 | Published | Mar 10 | http://www.ccsa.org.cn/english/tc/files.php?docpath=/ITU-R/M.1457/M.1457-12/TDD |
| ETSI | ETSI TS 133 105 | 9.0.0 | Published | Feb 10 | http://www.etsi.org/deliver/etsi_ts/133100_133199/133105/09.00.00_60/ |
| Release 10 | | | | | |
| ARIB | ARIB STD-T63-33.105 | 10.0.0 | Approved | Jul 13 | http://www.arib.or.jp/english/html/overview/doc/STD-T63v10_00/2_T63/ARIB-STD-T63/Rel10/33/A33105-a00.pdf |
| CCSA | CCSA-TSD-TDD-33.105 | 10.0.0 | Published | Jun 12 | http://www.ccsa.org.cn/english/tc/files.php?docpath=/ITU-R/M.1457/M.1457-12/TDD |
| ETSI | ETSI TS 133 105 | 10.0.0 | Published | Apr 11 | http://www.etsi.org/deliver/etsi_ts/133100_133199/133105/10.00.00_60/ |
| Release 11 | | | | | |
| ARIB | ARIB STD-T63-33.105 | 11.0.0 | Approved | Jul 13 | http://www.arib.or.jp/english/html/overview/doc/STD-T63v10_00/2_T63/ARIB-STD-T63/Rel11/33/A33105-b00.pdf |
| CCSA | CCSA-TSD-TDD-33.105 | 11.0.0 | Published | Jun 14 | http://www.ccsa.org.cn/english/tc/files.php?docpath=/ITU-R/M.1457/M.1457-12/TDD |
| ETSI | ETSI TS 133 105 | 11.0.0 | Published | Nov 12 | http://www.etsi.org/deliver/etsi_ts/133100_133199/133105/11.00.00_60/ |

5.3.2.13.104 TS 33.106

3G security; Lawful interception requirements

Defines all requirements for network based lawful interception.

| SDO (2) | Document No. | Version | Status | Issued date | Location (1) |
|-------------------|---------------------|---------|-----------|-------------|---|
| Release 99 | | | | | |
| ARIB | ARIB STD-T63-33.106 | 3.1.0 | Approved | Jul 13 | http://www.arib.or.jp/english/html/overview/doc/STD-T63v10_00/2_T63/ARIB-STD-T63/R99/33/A33106-310.pdf |
| CCSA | CCSA-TSD-TDD-33.106 | 3.1.0 | Published | Feb 00 | http://www.ccsa.org.cn/english/tc/files.php?docpath=/ITU-R/M.1457/M.1457-12/TDD |
| ETSI | ETSI TS 133 106 | 3.1.0 | Published | Feb 00 | http://www.etsi.org/deliver/etsi_ts/133100_133199/133106/03.01.00_60/ |
| Release 4 | | | | | |
| ARIB | ARIB STD-T63-33.106 | 4.0.0 | Approved | Jul 13 | http://www.arib.or.jp/english/html/overview/doc/STD-T63v10_00/2_T63/ARIB-STD-T63/Rel4/33/A33106-400.pdf |
| CCSA | CCSA-TSD-TDD-33.106 | 4.0.0 | Published | Apr 01 | http://www.ccsa.org.cn/english/tc/files.php?docpath=/ITU-R/M.1457/M.1457-12/TDD |
| ETSI | ETSI TS 133 106 | 4.0.0 | Published | Apr 01 | http://www.etsi.org/deliver/etsi_ts/133100_133199/133106/04.00.00_60/ |
| Release 5 | | | | | |
| ARIB | ARIB STD-T63-33.106 | 5.1.0 | Approved | Jul 13 | http://www.arib.or.jp/english/html/overview/doc/STD-T63v10_00/2_T63/ARIB-STD-T63/Rel5/33/A33106-510.pdf |
| CCSA | CCSA-TSD-TDD-33.106 | 5.1.0 | Published | Oct 02 | http://www.ccsa.org.cn/english/tc/files.php?docpath=/ITU-R/M.1457/M.1457-12/TDD |
| ETSI | ETSI TS 133 106 | 5.1.0 | Published | Oct 02 | http://www.etsi.org/deliver/etsi_ts/133100_133199/133106/05.01.00_60/ |
| Release 6 | | | | | |
| ARIB | ARIB STD-T63-33.106 | 6.1.0 | Approved | Jul 13 | http://www.arib.or.jp/english/html/overview/doc/STD-T63v10_00/2_T63/ARIB-STD-T63/Rel6/33/A33106-610.pdf |
| CCSA | CCSA-TSD-TDD-33.106 | 6.1.0 | Published | Jan 05 | http://www.ccsa.org.cn/english/tc/files.php?docpath=/ITU-R/M.1457/M.1457-12/TDD |
| ETSI | ETSI TS 133 106 | 6.1.0 | Published | Jan 05 | http://www.etsi.org/deliver/etsi_ts/133100_133199/133106/06.01.00_60/ |
| Release 7 | | | | | |

| | | | | | |
|-------------------|---------------------|--------|-----------|--------|---|
| ARIB | ARIB STD-T63-33.106 | 7.0.1 | Approved | Jul 13 | http://www.arib.or.jp/english/html/overview/doc/STD-T63v10_00/2_T63/ARIB-STD-T63/Rel7/33/A33106-701.pdf |
| CCSA | CCSA-TSD-TDD-33.106 | 7.0.1 | Published | Apr 06 | http://www.ccsa.org.cn/english/tc/files.php?docpath=/ITU-R/M.1457/M.1457-12/TDD |
| ETSI | ETSI TS 133 106 | 7.0.1 | Published | Apr 06 | http://www.etsi.org/deliver/etsi_ts/133100_133199/133106/07.00.01_60/ |
| Release 8 | | | | | |
| ARIB | ARIB STD-T63-33.106 | 8.1.0 | Approved | Jul 13 | http://www.arib.or.jp/english/html/overview/doc/STD-T63v10_00/2_T63/ARIB-STD-T63/Rel8/33/A33106-810.pdf |
| CCSA | CCSA-TSD-TDD-33.106 | 8.1.0 | Published | Oct 08 | http://www.ccsa.org.cn/english/tc/files.php?docpath=/ITU-R/M.1457/M.1457-12/TDD |
| ETSI | ETSI TS 133 106 | 8.1.0 | Published | Oct 08 | http://www.etsi.org/deliver/etsi_ts/133100_133199/133106/08.01.00_60/ |
| Release 9 | | | | | |
| ARIB | ARIB STD-T63-33.106 | 9.0.0 | Approved | Jul 13 | http://www.arib.or.jp/english/html/overview/doc/STD-T63v10_00/2_T63/ARIB-STD-T63/Rel9/33/A33106-900.pdf |
| CCSA | CCSA-TSD-TDD-33.106 | 9.0.0 | Published | Mar 10 | http://www.ccsa.org.cn/english/tc/files.php?docpath=/ITU-R/M.1457/M.1457-12/TDD |
| ETSI | ETSI TS 133 106 | 9.0.0 | Published | Feb 10 | http://www.etsi.org/deliver/etsi_ts/133100_133199/133106/09.00.00_60/ |
| Release 10 | | | | | |
| ARIB | ARIB STD-T63-33.106 | 10.0.0 | Approved | Jul 13 | http://www.arib.or.jp/english/html/overview/doc/STD-T63v10_00/2_T63/ARIB-STD-T63/Rel10/33/A33106-a00.pdf |
| CCSA | CCSA-TSD-TDD-33.106 | 10.0.0 | Published | Jun 12 | http://www.ccsa.org.cn/english/tc/files.php?docpath=/ITU-R/M.1457/M.1457-12/TDD |
| ETSI | ETSI TS 133 106 | 10.0.0 | Published | May 11 | http://www.etsi.org/deliver/etsi_ts/133100_133199/133106/10.00.00_60/ |
| Release 11 | | | | | |
| ARIB | ARIB STD-T63-33.106 | 11.1.1 | Approved | Jul 13 | http://www.arib.or.jp/english/html/overview/doc/STD-T63v10_00/2_T63/ARIB-STD-T63/Rel11/33/A33106-b11.pdf |
| CCSA | CCSA-TSD-TDD-33.106 | 11.1.1 | Published | Jun 14 | http://www.ccsa.org.cn/english/tc/files.php?docpath=/ITU-R/M.1457/M.1457-12/TDD |
| ETSI | ETSI TS 133 106 | 11.1.1 | Published | Aug 14 | http://www.etsi.org/deliver/etsi_ts/133100_133199/133106/11.01.01_60/ |

5.3.2.13.105 TS 33.107

3G security; Lawful interception architecture and functions

This document describes the architecture and functional requirements within a Third Generation Mobile Communication System (3GMS) and the Evolved Packet System (EPS).

The specification shows the service requirements from a Law Enforcement point of view only. The aim of this document is to define a 3GMS and EPS interception system that supports a number of regional interception regulations, but these regulations are not repeated here as they vary. Regional interception requirements shall be met in using specific (regional) mediation functions allowing only required information to be transported.

| SDO (2) | Document No. | Version | Status | Issued date | Location (1) |
|-------------------|---------------------|---------|-----------|-------------|---|
| Release 99 | | | | | |
| ARIB | ARIB STD-T63-33.107 | 3.5.0 | Approved | Jul 13 | http://www.arib.or.jp/english/html/overview/doc/STD-T63v10_00/2_T63/ARIB-STD-T63/R99/33/A33107-350.pdf |
| CCSA | CCSA-TSD-TDD-33.107 | 3.5.0 | Published | Jun 12 | http://www.ccsa.org.cn/english/tc/files.php?docpath=/ITU-R/M.1457/M.1457-12/TDD |
| ETSI | ETSI TS 133 107 | 3.5.0 | Published | Apr 02 | http://www.etsi.org/deliver/etsi_ts/133100_133199/133107/03.05.00_60/ |
| Release 4 | | | | | |
| ARIB | ARIB STD-T63-33.107 | 4.3.0 | Approved | Jul 13 | http://www.arib.or.jp/english/html/overview/doc/STD-T63v10_00/2_T63/ARIB-STD-T63/Rel4/33/A33107-430.pdf |
| CCSA | CCSA-TSD-TDD-33.107 | 4.3.0 | Published | Jun 12 | http://www.ccsa.org.cn/english/tc/files.php?docpath=/ITU-R/M.1457/M.1457-12/TDD |
| ETSI | ETSI TS 133 107 | 4.3.0 | Published | Apr 02 | http://www.etsi.org/deliver/etsi_ts/133100_133199/133107/04.03.00_60/ |
| Release 5 | | | | | |
| ARIB | ARIB STD-T63-33.107 | 5.6.0 | Approved | Jul 13 | http://www.arib.or.jp/english/html/overview/doc/STD-T63v10_00/2_T63/ARIB-STD-T63/Rel5/33/A33107-560.pdf |
| CCSA | CCSA-TSD-TDD-33.107 | 5.6.0 | Published | Jun 12 | http://www.ccsa.org.cn/english/tc/files.php?docpath=/ITU-R/M.1457/M.1457-12/TDD |

| | | | | | |
|-------------------|---------------------|--------|-----------|--------|---|
| ETSI | ETSI TS 133 107 | 5.6.0 | Published | Oct 03 | http://www.etsi.org/deliver/etsi_ts/133100_133199/133107/05.06.00_60/ |
| Release 6 | | | | | |
| ARIB | ARIB STD-T63-33.107 | 6.6.0 | Approved | Jul 13 | http://www.arib.or.jp/english/html/overview/doc/STD-T63v10_00/2_T63/ARIB-STD-T63/Rel6/33/A33107-660.pdf |
| CCSA | CCSA-TSD-TDD-33.107 | 6.6.0 | Published | Jun 12 | http://www.ccsa.org.cn/english/tc/files.php?docpath=/ITU-R/M.1457/M.1457-12/TDD |
| ETSI | ETSI TS 133 107 | 6.6.0 | Published | Jan 06 | http://www.etsi.org/deliver/etsi_ts/133100_133199/133107/06.06.00_60/ |
| Release 7 | | | | | |
| ARIB | ARIB STD-T63-33.107 | 7.7.0 | Approved | Jul 13 | http://www.arib.or.jp/english/html/overview/doc/STD-T63v10_00/2_T63/ARIB-STD-T63/Rel7/33/A33107-770.pdf |
| CCSA | CCSA-TSD-TDD-33.107 | 7.7.0 | Published | Jun 12 | http://www.ccsa.org.cn/english/tc/files.php?docpath=/ITU-R/M.1457/M.1457-12/TDD |
| ETSI | ETSI TS 133 107 | 7.7.0 | Published | Oct 07 | http://www.etsi.org/deliver/etsi_ts/133100_133199/133107/07.07.00_60/ |
| Release 8 | | | | | |
| ARIB | ARIB STD-T63-33.107 | 8.12.0 | Approved | Jul 13 | http://www.arib.or.jp/english/html/overview/doc/STD-T63v10_00/2_T63/ARIB-STD-T63/Rel8/33/A33107-8c0.pdf |
| CCSA | CCSA-TSD-TDD-33.107 | 8.12.0 | Published | Jun 12 | http://www.ccsa.org.cn/english/tc/files.php?docpath=/ITU-R/M.1457/M.1457-12/TDD |
| ETSI | ETSI TS 133 107 | 8.12.0 | Published | Apr 11 | http://www.etsi.org/deliver/etsi_ts/133100_133199/133107/08.12.00_60/ |
| Release 9 | | | | | |
| ARIB | ARIB STD-T63-33.107 | 9.4.0 | Approved | Jul 13 | http://www.arib.or.jp/english/html/overview/doc/STD-T63v10_00/2_T63/ARIB-STD-T63/Rel9/33/A33107-940.pdf |
| CCSA | CCSA-TSD-TDD-33.107 | 9.4.0 | Published | Jun 12 | http://www.ccsa.org.cn/english/tc/files.php?docpath=/ITU-R/M.1457/M.1457-12/TDD |
| ETSI | ETSI TS 133 107 | 9.4.0 | Published | Apr 11 | http://www.etsi.org/deliver/etsi_ts/133100_133199/133107/09.04.00_60/ |
| Release 10 | | | | | |
| ARIB | ARIB STD-T63-33.107 | 10.4.0 | Approved | Jul 13 | http://www.arib.or.jp/english/html/overview/doc/STD-T63v10_00/2_T63/ARIB-STD-T63/Rel10/33/A33107-a40.pdf |
| CCSA | CCSA-TSD-TDD-33.107 | 10.4.0 | Published | Jun 12 | http://www.ccsa.org.cn/english/tc/files.php?docpath=/ITU-R/M.1457/M.1457-12/TDD |
| ETSI | ETSI TS 133 107 | 10.4.0 | Published | Jun 11 | http://www.etsi.org/deliver/etsi_ts/133100_133199/133107/10.04.00_60/ |
| Release 11 | | | | | |
| ARIB | ARIB STD-T63-33.107 | 11.3.0 | Approved | Jul 13 | http://www.arib.or.jp/english/html/overview/doc/STD-T63v10_00/2_T63/ARIB-STD-T63/Rel11/33/A33107-b30.pdf |
| CCSA | CCSA-TSD-TDD-33.107 | 11.4.0 | Published | Jun 14 | http://www.ccsa.org.cn/english/tc/files.php?docpath=/ITU-R/M.1457/M.1457-12/TDD |
| ETSI | ETSI TS 133 107 | 11.3.0 | Published | Oct 12 | http://www.etsi.org/deliver/etsi_ts/133100_133199/133107/11.03.00_60/ |

5.3.2.13.106 TS 33.108

3G security; Handover interface for Lawful Interception (LI)

This specification addresses the handover interfaces for Lawful Interception (LI) of Packet-Data Services, Circuit Switched Services, Multimedia Services within the UMTS network and Evolved Packet System (EPS). The handover interface in this context includes the delivery of Intercept Related Information (HI2) and Content of Communication (HI3) to the Law Enforcement Monitoring Facility.

| SDO (2) | Document No. | Version | Status | Issued date | Location (1) |
|------------------|---------------------|---------|-----------|-------------|---|
| Release 5 | | | | | |
| ARIB | ARIB STD-T63-33.108 | 5.9.1 | Approved | Jul 13 | http://www.arib.or.jp/english/html/overview/doc/STD-T63v10_00/2_T63/ARIB-STD-T63/Rel5/33/A33108-591.pdf |
| CCSA | CCSA-TSD-TDD-33.108 | 5.9.1 | Published | Jun 12 | http://www.ccsa.org.cn/english/tc/files.php?docpath=/ITU-R/M.1457/M.1457-12/TDD |
| ETSI | ETSI TS 133 108 | 5.9.1 | Published | Jan 05 | http://www.etsi.org/deliver/etsi_ts/133100_133199/133108/05.09.01_60/ |
| Release 6 | | | | | |
| ARIB | ARIB STD-T63-33.108 | 6.10.0 | Approved | Jul 13 | http://www.arib.or.jp/english/html/overview/doc/STD-T63v10_00/2_T63/ARIB-STD-T63/Rel6/33/A33108-6a0.pdf |
| CCSA | CCSA-TSD-TDD-33.108 | 6.10.0 | Published | Jun 12 | http://www.ccsa.org.cn/english/tc/files.php?docpath=/ITU-R/M.1457/M.1457-12/TDD |
| ETSI | ETSI TS 133 108 | 6.10.0 | Published | Jan 06 | http://www.etsi.org/deliver/etsi_ts/133100_133199/133108/06.10.00_60/ |

Release 7

| | | | | | |
|------|---------------------|--------|-----------|--------|---|
| ARIB | ARIB STD-T63-33.108 | 7.10.0 | Approved | Jul 13 | http://www.arib.or.jp/english/html/overview/doc/STD-T63v10_00/2_T63/ARIB-STD-T63/Rel7/33/A33108-7a0.pdf |
| CCSA | CCSA-TSD-TDD-33.108 | 7.10.0 | Published | Jun 12 | http://www.ccsa.org.cn/english/tc/files.php?docpath=/ITU-R/M.1457/M.1457-12/TDD |
| ETSI | ETSI TS 133 108 | 7.10.0 | Published | Jan 11 | http://www.etsi.org/deliver/etsi_ts/133100_133199/133108/07.10.00_60/ |

Release 8

| | | | | | |
|------|---------------------|--------|-----------|--------|---|
| ARIB | ARIB STD-T63-33.108 | 8.14.0 | Approved | Jul 13 | http://www.arib.or.jp/english/html/overview/doc/STD-T63v10_00/2_T63/ARIB-STD-T63/Rel8/33/A33108-8e0.pdf |
| CCSA | CCSA-TSD-TDD-33.108 | 8.13.0 | Published | Jun 12 | http://www.ccsa.org.cn/english/tc/files.php?docpath=/ITU-R/M.1457/M.1457-12/TDD |
| ETSI | ETSI TS 133 108 | 8.14.0 | Published | Oct 12 | http://www.etsi.org/deliver/etsi_ts/133100_133199/133108/08.14.00_60/ |

Release 9

| | | | | | |
|------|---------------------|-------|-----------|--------|---|
| ARIB | ARIB STD-T63-33.108 | 9.7.0 | Approved | Jul 13 | http://www.arib.or.jp/english/html/overview/doc/STD-T63v10_00/2_T63/ARIB-STD-T63/Rel9/33/A33108-970.pdf |
| CCSA | CCSA-TSD-TDD-33.108 | 9.6.0 | Published | Jun 12 | http://www.ccsa.org.cn/english/tc/files.php?docpath=/ITU-R/M.1457/M.1457-12/TDD |
| ETSI | ETSI TS 133 108 | 9.7.0 | Published | Oct 12 | http://www.etsi.org/deliver/etsi_ts/133100_133199/133108/09.07.00_60/ |

Release 10

| | | | | | |
|------|---------------------|--------|-----------|--------|---|
| ARIB | ARIB STD-T63-33.108 | 10.5.0 | Approved | Jul 13 | http://www.arib.or.jp/english/html/overview/doc/STD-T63v10_00/2_T63/ARIB-STD-T63/Rel10/33/A33108-a50.pdf |
| CCSA | CCSA-TSD-TDD-33.108 | 10.4.0 | Published | Jun 12 | http://www.ccsa.org.cn/english/tc/files.php?docpath=/ITU-R/M.1457/M.1457-12/TDD |
| ETSI | ETSI TS 133 108 | 10.5.0 | Published | Oct 12 | http://www.etsi.org/deliver/etsi_ts/133100_133199/133108/10.05.00_60/ |

Release 11

| | | | | | |
|------|---------------------|--------|-----------|--------|---|
| ARIB | ARIB STD-T63-33.108 | 11.4.0 | Approved | Jul 13 | http://www.arib.or.jp/english/html/overview/doc/STD-T63v10_00/2_T63/ARIB-STD-T63/Rel11/33/A33108-b40.pdf |
| CCSA | CCSA-TSD-TDD-33.108 | 11.4.0 | Published | Jun 14 | http://www.ccsa.org.cn/english/tc/files.php?docpath=/ITU-R/M.1457/M.1457-12/TDD |
| ETSI | ETSI TS 133 108 | 11.4.0 | Published | Oct 12 | http://www.etsi.org/deliver/etsi_ts/133100_133199/133108/11.04.00_60/ |

5.3.2.13.107 TS 33.110**Key establishment between a Universal Integrated Circuit Card (UICC) and a terminal**

This document describes the security features and mechanisms to provision a shared key between a UICC and a terminal that may host the UICC or be connected to the device hosting the UICC via a local interface. Candidate applications to use this key establishment mechanism include but are not restricted to secure channel between a UICC and a terminal.

The scope of this specification includes an architecture overview and the detailed procedure how to establish the shared key between the UICC and the terminal.

| SDO (2) | Document No. | Version | Status | Issued date | Location (1) |
|------------------|---------------------|---------|-----------|-------------|---|
| Release 7 | | | | | |
| ARIB | ARIB STD-T63-33.110 | 7.5.0 | Approved | Jul 13 | http://www.arib.or.jp/english/html/overview/doc/STD-T63v10_00/2_T63/ARIB-STD-T63/Rel7/33/A33110-750.pdf |
| CCSA | CCSA-TSD-TDD-33.110 | 7.5.0 | Published | Jun 12 | http://www.ccsa.org.cn/english/tc/files.php?docpath=/ITU-R/M.1457/M.1457-12/TDD |
| ETSI | ETSI TS 133 110 | 7.5.0 | Published | Apr 08 | http://www.etsi.org/deliver/etsi_ts/133100_133199/133110/07.05.00_60/ |
| Release 8 | | | | | |
| ARIB | ARIB STD-T63-33.110 | 8.0.0 | Approved | Jul 13 | http://www.arib.or.jp/english/html/overview/doc/STD-T63v10_00/2_T63/ARIB-STD-T63/Rel8/33/A33110-800.pdf |
| CCSA | CCSA-TSD-TDD-33.110 | 8.0.0 | Published | Jun 12 | http://www.ccsa.org.cn/english/tc/files.php?docpath=/ITU-R/M.1457/M.1457-12/TDD |
| ETSI | ETSI TS 133 110 | 8.0.0 | Published | Jan 09 | http://www.etsi.org/deliver/etsi_ts/133100_133199/133110/08.00.00_60/ |
| Release 9 | | | | | |
| ARIB | ARIB STD-T63-33.110 | 9.1.0 | Approved | Jul 13 | http://www.arib.or.jp/english/html/overview/doc/STD-T63v10_00/2_T63/ARIB-STD-T63/Rel9/33/A33110-910.pdf |
| CCSA | CCSA-TSD-TDD-33.110 | 9.1.0 | Published | Jun 12 | http://www.ccsa.org.cn/english/tc/files.php?docpath=/ITU-R/M.1457/M.1457-12/TDD |

| | | | | | |
|-------------------|---------------------|--------|-----------|--------|---|
| ETSI | ETSI TS 133 110 | 9.1.0 | Published | Jul 11 | http://www.etsi.org/deliver/etsi_ts/133100_133199/133110/09.01.00_60/ |
| Release 10 | | | | | |
| ARIB | ARIB STD-T63-33.110 | 10.1.0 | Approved | Jul 13 | http://www.arib.or.jp/english/html/overview/doc/STD-T63v10_00/2_T63/ARIB-STD-T63/Rel10/33/A33110-a10.pdf |
| CCSA | CCSA-TSD-TDD-33.110 | 10.1.0 | Published | Jun 12 | http://www.ccsa.org.cn/english/tc/files.php?docpath=/ITU-R/M.1457/M.1457-12/TDD |
| ETSI | ETSI TS 133 110 | 10.1.0 | Published | Jul 11 | http://www.etsi.org/deliver/etsi_ts/133100_133199/133110/10.01.00_60/ |
| Release 11 | | | | | |
| ARIB | ARIB STD-T63-33.110 | 11.0.1 | Approved | Jul 13 | http://www.arib.or.jp/english/html/overview/doc/STD-T63v10_00/2_T63/ARIB-STD-T63/Rel11/33/A33110-b01.pdf |
| CCSA | CCSA-TSD-TDD-33.110 | 11.0.1 | Published | Jun 14 | http://www.ccsa.org.cn/english/tc/files.php?docpath=/ITU-R/M.1457/M.1457-12/TDD |
| ETSI | ETSI TS 133 110 | 11.0.1 | Published | Nov 12 | http://www.etsi.org/deliver/etsi_ts/133100_133199/133110/11.00.01_60/ |

5.3.2.13.108 TS 33.120

Security Objectives and Principles

Elaborates on the basic principles underlying the security.

| SDO (2) | Document No. | Version | Status | Issued date | Location (1) |
|-------------------|---------------------|---------|-----------|-------------|---|
| Release 99 | | | | | |
| ARIB | ARIB STD-T63-33.120 | 3.0.0 | Approved | Jul 13 | http://www.arib.or.jp/english/html/overview/doc/STD-T63v10_00/2_T63/ARIB-STD-T63/R99/33/A33120-300.pdf |
| CCSA | CCSA-TSD-TDD-33.120 | 3.0.0 | Published | Feb 00 | http://www.ccsa.org.cn/english/tc/files.php?docpath=/ITU-R/M.1457/M.1457-12/TDD |
| ETSI | ETSI TS 133 120 | 3.0.0 | Published | Feb 00 | http://www.etsi.org/deliver/etsi_ts/133100_133199/133120/03.00.00_60/ |
| Release 4 | | | | | |
| ARIB | ARIB STD-T63-33.120 | 4.0.0 | Approved | Jul 13 | http://www.arib.or.jp/english/html/overview/doc/STD-T63v10_00/2_T63/ARIB-STD-T63/Rel4/33/A33120-400.pdf |
| CCSA | CCSA-TSD-TDD-33.120 | 4.0.0 | Published | Apr 01 | http://www.ccsa.org.cn/english/tc/files.php?docpath=/ITU-R/M.1457/M.1457-12/TDD |
| ETSI | ETSI TS 133 120 | 4.0.0 | Published | Apr 01 | http://www.etsi.org/deliver/etsi_ts/133100_133199/133120/04.00.00_60/ |

5.3.2.13.109 TS 33.141

Presence service; Security

This document is the Stage 2 specification for the security requirements, security architecture, security features and security mechanisms for the Presence Service, which includes the elements necessary to realize the requirements in TS 22.141 and TS 23.141. As far as SIP-based procedures are concerned, this specification refers to TS 33.203. The main content of this specification is the security for the Ut reference point, which is HTTP-based, as applied in presence services.

The document includes information applicable to network operators, service providers and manufacturers.

| | | | | | |
|------------------|---------------------|-------|-----------|--------|---|
| Release 6 | | | | | |
| ARIB | ARIB STD-T63-33.141 | 6.2.0 | Approved | Jul 13 | http://www.arib.or.jp/english/html/overview/doc/STD-T63v10_00/2_T63/ARIB-STD-T63/Rel6/33/A33141-620.pdf |
| CCSA | CCSA-TSD-TDD-33.141 | 6.2.0 | Published | Jun 12 | http://www.ccsa.org.cn/english/tc/files.php?docpath=/ITU-R/M.1457/M.1457-12/TDD |
| ETSI | ETSI TS 133 141 | 6.2.0 | Published | Oct 05 | http://www.etsi.org/deliver/etsi_ts/133100_133199/133141/06.02.00_60/ |
| Release 7 | | | | | |
| ARIB | ARIB STD-T63-33.141 | 7.1.0 | Approved | Jul 13 | http://www.arib.or.jp/english/html/overview/doc/STD-T63v10_00/2_T63/ARIB-STD-T63/Rel7/33/A33141-710.pdf |

| | | | | | |
|-------------------|---------------------|--------|-----------|--------|---|
| CCSA | CCSA-TSD-TDD-33.141 | 7.1.0 | Published | Jun 12 | http://www.ccsa.org.cn/english/tc/files.php?docpath=/ITU-R/M.1457/M.1457-12/TDD |
| ETSI | ETSI TS 133 141 | 7.1.0 | Published | Jul 06 | http://www.etsi.org/deliver/etsi_ts/133100_133199/133141/07.01.00_60/ |
| Release 8 | | | | | |
| ARIB | ARIB STD-T63-33.141 | 8.1.0 | Approved | Jul 13 | http://www.arib.or.jp/english/html/overview/doc/STD-T63v10_00/2_T63/ARIB-STD-T63/Rel8/33/A33141-810.pdf |
| CCSA | CCSA-TSD-TDD-33.141 | 8.1.0 | Published | Jun 12 | http://www.ccsa.org.cn/english/tc/files.php?docpath=/ITU-R/M.1457/M.1457-12/TDD |
| ETSI | ETSI TS 133 141 | 8.1.0 | Published | Jan 09 | http://www.etsi.org/deliver/etsi_ts/133100_133199/133141/08.01.00_60/ |
| Release 9 | | | | | |
| ARIB | ARIB STD-T63-33.141 | 9.1.0 | Approved | Jul 13 | http://www.arib.or.jp/english/html/overview/doc/STD-T63v10_00/2_T63/ARIB-STD-T63/Rel9/33/A33141-910.pdf |
| CCSA | CCSA-TSD-TDD-33.141 | 9.1.0 | Published | Jun 12 | http://www.ccsa.org.cn/english/tc/files.php?docpath=/ITU-R/M.1457/M.1457-12/TDD |
| ETSI | ETSI TS 133 141 | 9.1.0 | Published | Oct 10 | http://www.etsi.org/deliver/etsi_ts/133100_133199/133141/09.01.00_60/ |
| Release 10 | | | | | |
| ARIB | ARIB STD-T63-33.141 | 10.0.0 | Approved | Jul 13 | http://www.arib.or.jp/english/html/overview/doc/STD-T63v10_00/2_T63/ARIB-STD-T63/Rel10/33/A33141-a00.pdf |
| CCSA | CCSA-TSD-TDD-33.141 | 10.0.0 | Published | Jun 12 | http://www.ccsa.org.cn/english/tc/files.php?docpath=/ITU-R/M.1457/M.1457-12/TDD |
| ETSI | ETSI TS 133 141 | 10.0.0 | Published | May 11 | http://www.etsi.org/deliver/etsi_ts/133100_133199/133141/10.00.00_60/ |
| Release 11 | | | | | |
| ARIB | ARIB STD-T63-33.141 | 11.0.0 | Approved | Jul 13 | http://www.arib.or.jp/english/html/overview/doc/STD-T63v10_00/2_T63/ARIB-STD-T63/Rel11/33/A33141-b00.pdf |
| CCSA | CCSA-TSD-TDD-33.141 | 11.0.0 | Published | Jun 14 | http://www.ccsa.org.cn/english/tc/files.php?docpath=/ITU-R/M.1457/M.1457-12/TDD |
| ETSI | ETSI TS 133 141 | 11.0.0 | Published | Nov 12 | http://www.etsi.org/deliver/etsi_ts/133100_133199/133141/11.00.00_60/ |

5.3.2.13.110 TS 33.203

3G security; Access security for IP-based services

The scope for this technical specification is to specify the security features and mechanisms for secure access to the IM subsystem (IMS) for the 3G mobile telecommunication system.

Since the scope also encompasses the use of these security features and mechanisms for secure access to IMS in the context of fixed broadband networks and 3GPP2 networks, Annex L and Annex S specify how the material in the main body and other normative Annexes of this document apply to the fixed broadband networks and 3GPP2 networks respectively.

The IMS supports IP Multimedia applications such as video, audio and multimedia conferences. SIP, Session Initiation Protocol, was chosen as the signalling protocol for creating and terminating Multimedia sessions, cf. RFC 3261. This specification only deals with how the SIP signalling is protected between the subscriber and the IMS, how the subscriber is authenticated and how the subscriber authenticates the IMS.

| SDO (2) | Document No. | Version | Status | Issued date | Location (1) |
|------------------|---------------------|---------|-----------|-------------|---|
| Release 5 | | | | | |
| ARIB | ARIB STD-T63-33.203 | 5.12.0 | Approved | Jul 13 | http://www.arib.or.jp/english/html/overview/doc/STD-T63v10_00/2_T63/ARIB-STD-T63/Rel5/33/A33203-5c0.pdf |
| CCSA | CCSA-TSD-TDD-33.203 | 5.12.0 | Published | Jun 12 | http://www.ccsa.org.cn/english/tc/files.php?docpath=/ITU-R/M.1457/M.1457-12/TDD |
| ETSI | ETSI TS 133 203 | 5.12.0 | Published | Oct 07 | http://www.etsi.org/deliver/etsi_ts/133200_133299/133203/05.12.00_60/ |
| Release 6 | | | | | |
| ARIB | ARIB STD-T63-33.203 | 6.11.0 | Approved | Jul 13 | http://www.arib.or.jp/english/html/overview/doc/STD-T63v10_00/2_T63/ARIB-STD-T63/Rel6/33/A33203-6b0.pdf |
| CCSA | CCSA-TSD-TDD-33.203 | 6.11.0 | Published | Jun 12 | http://www.ccsa.org.cn/english/tc/files.php?docpath=/ITU-R/M.1457/M.1457-12/TDD |
| ETSI | ETSI TS 133 203 | 6.11.0 | Published | Oct 07 | http://www.etsi.org/deliver/etsi_ts/133200_133299/133203/06.11.00_60/ |
| Release 7 | | | | | |

| | | | | | |
|-------------------|---------------------|--------|-----------|--------|---|
| ARIB | ARIB STD-T63-33.203 | 7.9.0 | Approved | Jul 13 | http://www.arib.or.jp/english/html/overview/doc/STD-T63v10_00/2_T63/ARIB-STD-T63/Rel7/33/A33203-790.pdf |
| CCSA | CCSA-TSD-TDD-33.203 | 7.9.0 | Published | Jun 12 | http://www.ccsa.org.cn/english/tc/files.php?docpath=/ITU-R/M.1457/M.1457-12/TDD |
| ETSI | ETSI TS 133 203 | 7.9.0 | Published | Apr 08 | http://www.etsi.org/deliver/etsi_ts/133200_133299/133203/07.09.00_60/ |
| Release 8 | | | | | |
| ARIB | ARIB STD-T63-33.203 | 8.8.0 | Approved | Jul 13 | http://www.arib.or.jp/english/html/overview/doc/STD-T63v10_00/2_T63/ARIB-STD-T63/Rel8/33/A33203-880.pdf |
| CCSA | CCSA-TSD-TDD-33.203 | 8.8.0 | Published | Jun 12 | http://www.ccsa.org.cn/english/tc/files.php?docpath=/ITU-R/M.1457/M.1457-12/TDD |
| ETSI | ETSI TS 133 203 | 8.8.0 | Published | Jan 10 | http://www.etsi.org/deliver/etsi_ts/133200_133299/133203/08.08.00_60/ |
| Release 9 | | | | | |
| ARIB | ARIB STD-T63-33.203 | 9.5.0 | Approved | Jul 13 | http://www.arib.or.jp/english/html/overview/doc/STD-T63v10_00/2_T63/ARIB-STD-T63/Rel9/33/A33203-950.pdf |
| CCSA | CCSA-TSD-TDD-33.203 | 9.5.0 | Published | Jun 12 | http://www.ccsa.org.cn/english/tc/files.php?docpath=/ITU-R/M.1457/M.1457-12/TDD |
| ETSI | ETSI TS 133 203 | 9.5.0 | Published | Oct 10 | http://www.etsi.org/deliver/etsi_ts/133200_133299/133203/09.05.00_60/ |
| Release 10 | | | | | |
| ARIB | ARIB STD-T63-33.203 | 10.3.0 | Approved | Jul 13 | http://www.arib.or.jp/english/html/overview/doc/STD-T63v10_00/2_T63/ARIB-STD-T63/Rel10/33/A33203-a30.pdf |
| CCSA | CCSA-TSD-TDD-33.203 | 10.2.0 | Published | Jun 12 | http://www.ccsa.org.cn/english/tc/files.php?docpath=/ITU-R/M.1457/M.1457-12/TDD |
| ETSI | ETSI TS 133 203 | 10.3.0 | Published | Jul 12 | http://www.etsi.org/deliver/etsi_ts/133200_133299/133203/10.03.00_60/ |
| Release 11 | | | | | |
| ARIB | ARIB STD-T63-33.203 | 11.2.0 | Approved | Jul 13 | http://www.arib.or.jp/english/html/overview/doc/STD-T63v10_00/2_T63/ARIB-STD-T63/Rel11/33/A33203-b20.pdf |
| CCSA | CCSA-TSD-TDD-33.203 | 11.2.0 | Published | Jun 14 | http://www.ccsa.org.cn/english/tc/files.php?docpath=/ITU-R/M.1457/M.1457-12/TDD |
| ETSI | ETSI TS 133 203 | 11.2.0 | Published | Nov 12 | http://www.etsi.org/deliver/etsi_ts/133200_133299/133203/11.02.00_60/ |

5.3.2.13.111 TS 33.204

3G Security; Network Domain Security (NDS); Transaction Capabilities Application Part (TCAP) user security

This technical specification covers the security mechanisms and procedures necessary to protect all TCAP user messages which are sent between different security domains. The complete set of enhancements and extensions to facilitate security protection for the TCAP protocol is termed TCAPsec and it covers transport security in the TCAP protocol itself and the security management procedures. This technical specification contains the stage 2 specification for security protection of the TCAP protocol. The actual implementation (stage 3) specification can be found in TS 29.204.

| SDO (2) | Document No. | Version | Status | Issued date | Location (1) |
|------------------|---------------------------|---------|-----------|-------------|---|
| Release 7 | | | | | |
| CCSA | CCSA-TSD-TDD-33.204 | 7.2.0 | Published | Jun 12 | http://www.ccsa.org.cn/english/tc/files.php?docpath=/ITU-R/M.1457/M.1457-12/TDD |
| ETSI | ETSI TS 133 204 | 7.2.0 | Published | Jul 07 | http://www.etsi.org/deliver/etsi_ts/133200_133299/133204/07.02.00_60/ |
| TTC | TS-3GA-33.204(Rel7)v7.2.0 | 7.2.0 | Approved | Mar 08 | http://www.ttc.or.jp/j/document_list/free/TS/TS-3GA-33.204(Rel7)v7.2.0.pdf |
| Release 8 | | | | | |
| CCSA | CCSA-TSD-TDD-33.204 | 8.0.0 | Published | Jun 12 | http://www.ccsa.org.cn/english/tc/files.php?docpath=/ITU-R/M.1457/M.1457-12/TDD |
| ETSI | ETSI TS 133 204 | 8.0.0 | Published | Feb 09 | http://www.etsi.org/deliver/etsi_ts/133200_133299/133204/08.00.00_60/ |
| TTC | TS-3GA-33.204(Rel8)v8.0.0 | 8.0.0 | Approved | Feb 09 | http://www.ttc.or.jp/j/document_list/free/3gpps2009/TS/TS-3GA-33.204(Rel8)v8.0.0.pdf |
| Release 9 | | | | | |
| CCSA | CCSA-TSD-TDD-33.204 | 9.0.0 | Published | Jun 12 | http://www.ccsa.org.cn/english/tc/files.php?docpath=/ITU-R/M.1457/M.1457-12/TDD |
| ETSI | ETSI TS 133 204 | 9.0.0 | Published | Feb 10 | http://www.etsi.org/deliver/etsi_ts/133200_133299/133204/09.00.00_60/ |
| TTC | TS-3GA-33.204(Rel9)v9.0.0 | 9.0.0 | Approved | Jul 10 | http://www.ttc.or.jp/j/document_list/free/3gpps2010/TS/TS-3GA-33.204(Rel9)v9.0.0.pdf |

Release 10

| | | | | | |
|------|-----------------------------|--------|-----------|--------|---|
| CCSA | CCSA-TSD-TDD-33.204 | 10.0.0 | Published | Jun 12 | http://www.ccsa.org.cn/english/tc/files.php?docpath=/ITU-R/M.1457/M.1457-12/TDD |
| ETSI | ETSI TS 133 204 | 10.0.0 | Published | Apr 11 | http://www.etsi.org/deliver/etsi_ts/133200_133299/133204/10.00.00_60/ |
| TTC | TS-3GA-33.204(Rel10)v10.0.0 | 10.0.0 | Approved | Jun 11 | http://www.ttc.or.jp/j/document_list/free/3gpps2011/TS/TS-3GA-33.204(Rel10)v10.0.0.pdf |

Release 11

| | | | | | |
|------|-----------------------------|--------|-----------|--------|---|
| CCSA | CCSA-TSD-TDD-33.204 | 11.0.0 | Published | Jun 14 | http://www.ccsa.org.cn/english/tc/files.php?docpath=/ITU-R/M.1457/M.1457-12/TDD |
| ETSI | ETSI TS 133 204 | 11.0.0 | Published | Nov 12 | http://www.etsi.org/deliver/etsi_ts/133200_133299/133204/11.00.00_60/ |
| TTC | TS-3GA-33.204(Rel11)v11.0.0 | 11.0.0 | Approved | Jun 13 | http://www.ttc.or.jp/j/document_list/free/3gpps2013/TS/TS-3GA-33.204(Rel11)v11.0.0.pdf |

5.3.2.13.112 TS 33.210**3G security; Network Domain Security (NDS); IP network layer security**

This document defines the security architecture for network domain IP based control planes, which shall be applied to NDS/IP-networks (i.e. 3GPP and fixed broadband networks). The scope of network domain control plane security is to cover the control signalling on selected interfaces between network elements of NDS/IP networks.

| SDO (2) | Document No. | Version | Status | Issued date | Location (1) |
|-------------------|---------------------|---------|-----------|-------------|---|
| Release 5 | | | | | |
| ARIB | ARIB STD-T63-33.210 | 5.5.0 | Approved | Jul 13 | http://www.arib.or.jp/english/html/overview/doc/STD-T63v10_00/2_T63/ARIB-STD-T63/Rel5/33/A33210-550.pdf |
| CCSA | CCSA-TSD-TDD-33.210 | 5.5.0 | Published | Jun 12 | http://www.ccsa.org.cn/english/tc/files.php?docpath=/ITU-R/M.1457/M.1457-12/TDD |
| ETSI | ETSI TS 133 210 | 5.5.0 | Published | Oct 03 | http://www.etsi.org/deliver/etsi_ts/133200_133299/133210/05.05.00_60/ |
| Release 6 | | | | | |
| ARIB | ARIB STD-T63-33.210 | 6.6.0 | Approved | Jul 13 | http://www.arib.or.jp/english/html/overview/doc/STD-T63v10_00/2_T63/ARIB-STD-T63/Rel6/33/A33210-660.pdf |
| CCSA | CCSA-TSD-TDD-33.210 | 6.6.0 | Published | Jun 12 | http://www.ccsa.org.cn/english/tc/files.php?docpath=/ITU-R/M.1457/M.1457-12/TDD |
| ETSI | ETSI TS 133 210 | 6.6.0 | Published | Oct 06 | http://www.etsi.org/deliver/etsi_ts/133200_133299/133210/06.06.00_60/ |
| Release 7 | | | | | |
| ARIB | ARIB STD-T63-33.210 | 7.3.0 | Approved | Jul 13 | http://www.arib.or.jp/english/html/overview/doc/STD-T63v10_00/2_T63/ARIB-STD-T63/Rel7/33/A33210-730.pdf |
| CCSA | CCSA-TSD-TDD-33.210 | 7.3.0 | Published | Jun 12 | http://www.ccsa.org.cn/english/tc/files.php?docpath=/ITU-R/M.1457/M.1457-12/TDD |
| ETSI | ETSI TS 133 210 | 7.3.0 | Published | Oct 07 | http://www.etsi.org/deliver/etsi_ts/133200_133299/133210/07.03.00_60/ |
| Release 8 | | | | | |
| ARIB | ARIB STD-T63-33.210 | 8.3.0 | Approved | Jul 13 | http://www.arib.or.jp/english/html/overview/doc/STD-T63v10_00/2_T63/ARIB-STD-T63/Rel8/33/A33210-830.pdf |
| CCSA | CCSA-TSD-TDD-33.210 | 8.3.0 | Published | Jun 12 | http://www.ccsa.org.cn/english/tc/files.php?docpath=/ITU-R/M.1457/M.1457-12/TDD |
| ETSI | ETSI TS 133 210 | 8.3.0 | Published | Jul 09 | http://www.etsi.org/deliver/etsi_ts/133200_133299/133210/08.03.00_60/ |
| Release 9 | | | | | |
| ARIB | ARIB STD-T63-33.210 | 9.1.0 | Approved | Jul 13 | http://www.arib.or.jp/english/html/overview/doc/STD-T63v10_00/2_T63/ARIB-STD-T63/Rel9/33/A33210-910.pdf |
| CCSA | CCSA-TSD-TDD-33.210 | 9.1.0 | Published | Jun 12 | http://www.ccsa.org.cn/english/tc/files.php?docpath=/ITU-R/M.1457/M.1457-12/TDD |
| ETSI | ETSI TS 133 210 | 9.1.0 | Published | Jul 10 | http://www.etsi.org/deliver/etsi_ts/133200_133299/133210/09.01.00_60/ |
| Release 10 | | | | | |
| ARIB | ARIB STD-T63-33.210 | 10.3.0 | Approved | Jul 13 | http://www.arib.or.jp/english/html/overview/doc/STD-T63v10_00/2_T63/ARIB-STD-T63/Rel10/33/A33210-a30.pdf |
| CCSA | CCSA-TSD-TDD-33.210 | 10.3.0 | Published | Jun 12 | http://www.ccsa.org.cn/english/tc/files.php?docpath=/ITU-R/M.1457/M.1457-12/TDD |
| ETSI | ETSI TS 133 210 | 10.3.0 | Published | Jun 11 | http://www.etsi.org/deliver/etsi_ts/133200_133299/133210/10.03.00_60/ |
| Release 11 | | | | | |
| ARIB | ARIB STD-T63-33.210 | 11.4.0 | Approved | Jul 13 | http://www.arib.or.jp/english/html/overview/doc/STD-T63v10_00/2_T63/ARIB-STD-T63/Rel11/33/A33210-b40.pdf |

| | | | | | |
|------|---------------------|--------|-----------|--------|---|
| CCSA | CCSA-TSD-TDD-33.210 | 11.4.0 | Published | Jun 14 | http://www.ccsa.org.cn/english/tc/files.php?docpath=/ITU-R/M.1457/M.1457-12/TDD |
| ETSI | ETSI TS 133 210 | 11.4.0 | Published | Oct 12 | http://www.etsi.org/deliver/etsi_ts/133200_133299/133210/11.04.00_60/ |

5.3.2.13.113 TS 33.220

Generic Authentication Architecture (GAA); Generic Bootstrapping Architecture (GBA)

This document describes the security features and a mechanism to bootstrap authentication and key agreement for application security from the 3GPP AKA mechanism. Candidate applications to use this bootstrapping mechanism include but are not restricted to subscriber certificate distribution TS 33.221.

Subscriber certificates support services whose provision mobile operator assists, as well as services that mobile operator provides. The scope of this specification includes a generic AKA bootstrapping function, an architecture overview and the detailed procedure how to bootstrap the credential. Clause 4 of this specification describes a mechanism, called GBA_ME, to bootstrap authentication and key agreement, which does not require any changes to the UICC. Clause 5 of this specification describes a mechanism, called GBA_U, to bootstrap authentication and key agreement, which does require changes to the UICC, but provides enhanced security by storing certain derived keys on the UICC.

| SDO (2) | Document No. | Version | Status | Issued date | Location (1) |
|-------------------|---------------------|---------|-----------|-------------|---|
| Release 6 | | | | | |
| ARIB | ARIB STD-T63-33.220 | 6.13.0 | Approved | Jul 13 | http://www.arib.or.jp/english/html/overview/doc/STD-T63v10_00/2_T63/ARIB-STD-T63/Rel6/33/A33220-6d0.pdf |
| CCSA | CCSA-TSD-TDD-33.220 | 6.13.0 | Published | Jun 12 | http://www.ccsa.org.cn/english/tc/files.php?docpath=/ITU-R/M.1457/M.1457-12/TDD |
| ETSI | ETSI TS 133 220 | 6.13.0 | Published | Jul 07 | http://www.etsi.org/deliver/etsi_ts/133200_133299/133220/06.13.00_60/ |
| Release 7 | | | | | |
| ARIB | ARIB STD-T63-33.220 | 7.11.0 | Approved | Jul 13 | http://www.arib.or.jp/english/html/overview/doc/STD-T63v10_00/2_T63/ARIB-STD-T63/Rel7/33/A33220-7b0.pdf |
| CCSA | CCSA-TSD-TDD-33.220 | 7.11.0 | Published | Jun 12 | http://www.ccsa.org.cn/english/tc/files.php?docpath=/ITU-R/M.1457/M.1457-12/TDD |
| ETSI | ETSI TS 133 220 | 7.11.0 | Published | Apr 08 | http://www.etsi.org/deliver/etsi_ts/133200_133299/133220/07.11.00_60/ |
| Release 8 | | | | | |
| ARIB | ARIB STD-T63-33.220 | 8.9.0 | Approved | Jul 13 | http://www.arib.or.jp/english/html/overview/doc/STD-T63v10_00/2_T63/ARIB-STD-T63/Rel8/33/A33220-890.pdf |
| CCSA | CCSA-TSD-TDD-33.220 | 8.8.0 | Published | Jun 12 | http://www.ccsa.org.cn/english/tc/files.php?docpath=/ITU-R/M.1457/M.1457-12/TDD |
| ETSI | ETSI TS 133 220 | 8.9.0 | Published | Mar 12 | http://www.etsi.org/deliver/etsi_ts/133200_133299/133220/08.09.00_60/ |
| Release 9 | | | | | |
| ARIB | ARIB STD-T63-33.220 | 9.4.0 | Approved | Jul 13 | http://www.arib.or.jp/english/html/overview/doc/STD-T63v10_00/2_T63/ARIB-STD-T63/Rel9/33/A33220-940.pdf |
| CCSA | CCSA-TSD-TDD-33.220 | 9.3.0 | Published | Jun 12 | http://www.ccsa.org.cn/english/tc/files.php?docpath=/ITU-R/M.1457/M.1457-12/TDD |
| ETSI | ETSI TS 133 220 | 9.4.0 | Published | Mar 12 | http://www.etsi.org/deliver/etsi_ts/133200_133299/133220/09.04.00_60/ |
| Release 10 | | | | | |
| ARIB | ARIB STD-T63-33.220 | 10.1.0 | Approved | Jul 13 | http://www.arib.or.jp/english/html/overview/doc/STD-T63v10_00/2_T63/ARIB-STD-T63/Rel10/33/A33220-a10.pdf |
| CCSA | CCSA-TSD-TDD-33.220 | 10.0.0 | Published | Jun 12 | http://www.ccsa.org.cn/english/tc/files.php?docpath=/ITU-R/M.1457/M.1457-12/TDD |
| ETSI | ETSI TS 133 220 | 10.1.0 | Published | Mar 12 | http://www.etsi.org/deliver/etsi_ts/133200_133299/133220/10.01.00_60/ |
| Release 11 | | | | | |
| ARIB | ARIB STD-T63-33.220 | 11.4.0 | Approved | Jul 13 | http://www.arib.or.jp/english/html/overview/doc/STD-T63v10_00/2_T63/ARIB-STD-T63/Rel11/33/A33220-b40.pdf |
| CCSA | CCSA-TSD-TDD-33.220 | 11.5.0 | Published | Jun 14 | http://www.ccsa.org.cn/english/tc/files.php?docpath=/ITU-R/M.1457/M.1457-12/TDD |
| ETSI | ETSI TS 133 220 | 11.4.0 | Published | Oct 12 | http://www.etsi.org/deliver/etsi_ts/133200_133299/133220/11.04.00_60/ |

5.3.2.13.114 TS 33.221**Generic Authentication Architecture (GAA); Support for subscriber certificates**

This document describes subscriber certificate distribution by means of generic bootstrapping architecture (GBA) TS 33.220. Subscriber certificates support services whose provision the mobile operator assists, as well as services that are offered by the mobile operator. The scope of this specification presents signalling procedures for support of issuing certificates to subscribers and the standard format of certificates and digital signatures. It is not intended to duplicate existing standards being developed by other groups on these topics, and will reference these where appropriate.

| SDO (2) | Document No. | Version | Status | Issued date | Location (1) |
|-------------------|---------------------|---------|-----------|-------------|---|
| Release 6 | | | | | |
| ARIB | ARIB STD-T63-33.221 | 6.4.0 | Approved | Jul 13 | http://www.arib.or.jp/english/html/overview/doc/STD-T63v10_00/2_T63/ARIB-STD-T63/Rel6/33/A33221-640.pdf |
| CCSA | CCSA-TSD-TDD-33.221 | 6.4.0 | Published | Jun 12 | http://www.ccsa.org.cn/english/tc/files.php?docpath=/ITU-R/M.1457/M.1457-12/TDD |
| ETSI | ETSI TS 133 221 | 6.4.0 | Published | Jul 07 | http://www.etsi.org/deliver/etsi_ts/133200_133299/133221/06.04.00_60/ |
| Release 7 | | | | | |
| ARIB | ARIB STD-T63-33.221 | 7.1.0 | Approved | Jul 13 | http://www.arib.or.jp/english/html/overview/doc/STD-T63v10_00/2_T63/ARIB-STD-T63/Rel7/33/A33221-710.pdf |
| CCSA | CCSA-TSD-TDD-33.221 | 7.1.0 | Published | Jun 12 | http://www.ccsa.org.cn/english/tc/files.php?docpath=/ITU-R/M.1457/M.1457-12/TDD |
| ETSI | ETSI TS 133 221 | 7.1.0 | Published | Jan 08 | http://www.etsi.org/deliver/etsi_ts/133200_133299/133221/07.01.00_60/ |
| Release 8 | | | | | |
| ARIB | ARIB STD-T63-33.221 | 8.0.0 | Approved | Jul 13 | http://www.arib.or.jp/english/html/overview/doc/STD-T63v10_00/2_T63/ARIB-STD-T63/Rel8/33/A33221-800.pdf |
| CCSA | CCSA-TSD-TDD-33.221 | 8.0.0 | Published | Jun 12 | http://www.ccsa.org.cn/english/tc/files.php?docpath=/ITU-R/M.1457/M.1457-12/TDD |
| ETSI | ETSI TS 133 221 | 8.0.0 | Published | Feb 09 | http://www.etsi.org/deliver/etsi_ts/133200_133299/133221/08.00.00_60/ |
| Release 9 | | | | | |
| ARIB | ARIB STD-T63-33.221 | 9.1.0 | Approved | Jul 13 | http://www.arib.or.jp/english/html/overview/doc/STD-T63v10_00/2_T63/ARIB-STD-T63/Rel9/33/A33221-910.pdf |
| CCSA | CCSA-TSD-TDD-33.221 | 9.1.0 | Published | Jun 12 | http://www.ccsa.org.cn/english/tc/files.php?docpath=/ITU-R/M.1457/M.1457-12/TDD |
| ETSI | ETSI TS 133 221 | 9.1.0 | Published | Jul 10 | http://www.etsi.org/deliver/etsi_ts/133200_133299/133221/09.01.00_60/ |
| Release 10 | | | | | |
| ARIB | ARIB STD-T63-33.221 | 10.0.0 | Approved | Jul 13 | http://www.arib.or.jp/english/html/overview/doc/STD-T63v10_00/2_T63/ARIB-STD-T63/Rel10/33/A33221-a00.pdf |
| CCSA | CCSA-TSD-TDD-33.221 | 10.0.0 | Published | Jun 12 | http://www.ccsa.org.cn/english/tc/files.php?docpath=/ITU-R/M.1457/M.1457-12/TDD |
| ETSI | ETSI TS 133 221 | 10.0.0 | Published | Apr 11 | http://www.etsi.org/deliver/etsi_ts/133200_133299/133221/10.00.00_60/ |
| Release 11 | | | | | |
| ARIB | ARIB STD-T63-33.221 | 11.0.1 | Approved | Jul 13 | http://www.arib.or.jp/english/html/overview/doc/STD-T63v10_00/2_T63/ARIB-STD-T63/Rel11/33/A33221-b01.pdf |
| CCSA | CCSA-TSD-TDD-33.221 | 11.1.0 | Published | Jun 14 | http://www.ccsa.org.cn/english/tc/files.php?docpath=/ITU-R/M.1457/M.1457-12/TDD |
| ETSI | ETSI TS 133 221 | 11.0.1 | Published | Nov 12 | http://www.etsi.org/deliver/etsi_ts/133200_133299/133221/11.00.01_60/ |

5.3.2.13.115 TS 33.222**Generic Authentication Architecture (GAA); Access to network application functions using Hypertext Transfer Protocol over Transport Layer Security (HTTPS)**

This document specifies secure access methods to Network Application Functions (NAF) using HTTP over TLS in the Generic Authentication Architecture (GAA), and provides Stage 2 security requirements, principles and procedures for the access. This document describes both direct access to an Application Server (AS) and access to an Application Server through an Authentication Proxy (AP).

| SDO (2) | Document No. | Version | Status | Issued date | Location (1) |
|-------------------|---------------------|---------|-----------|-------------|---|
| Release 6 | | | | | |
| ARIB | ARIB STD-T63-33.222 | 6.6.0 | Approved | Jul 13 | http://www.arib.or.jp/english/html/overview/doc/STD-T63v10_00/2_T63/ARIB-STD-T63/Rel6/33/A33222-660.pdf |
| CCSA | CCSA-TSD-TDD-33.222 | 6.6.0 | Published | Jun 12 | http://www.ccsa.org.cn/english/tc/files.php?docpath=/ITU-R/M.1457/M.1457-12/TDD |
| ETSI | ETSI TS 133 222 | 6.6.0 | Published | May 06 | http://www.etsi.org/deliver/etsi_ts/133200_133299/133222/06.06.00_60/ |
| Release 7 | | | | | |
| ARIB | ARIB STD-T63-33.222 | 7.3.0 | Approved | Jul 13 | http://www.arib.or.jp/english/html/overview/doc/STD-T63v10_00/2_T63/ARIB-STD-T63/Rel7/33/A33222-730.pdf |
| CCSA | CCSA-TSD-TDD-33.222 | 7.3.0 | Published | Jun 12 | http://www.ccsa.org.cn/english/tc/files.php?docpath=/ITU-R/M.1457/M.1457-12/TDD |
| ETSI | ETSI TS 133 222 | 7.3.0 | Published | Jan 08 | http://www.etsi.org/deliver/etsi_ts/133200_133299/133222/07.03.00_60/ |
| Release 8 | | | | | |
| ARIB | ARIB STD-T63-33.222 | 8.0.0 | Approved | Jul 13 | http://www.arib.or.jp/english/html/overview/doc/STD-T63v10_00/2_T63/ARIB-STD-T63/Rel8/33/A33222-800.pdf |
| CCSA | CCSA-TSD-TDD-33.222 | 8.0.0 | Published | Jun 12 | http://www.ccsa.org.cn/english/tc/files.php?docpath=/ITU-R/M.1457/M.1457-12/TDD |
| ETSI | ETSI TS 133 222 | 8.0.0 | Published | Jan 09 | http://www.etsi.org/deliver/etsi_ts/133200_133299/133222/08.00.00_60/ |
| Release 9 | | | | | |
| ARIB | ARIB STD-T63-33.222 | 9.1.0 | Approved | Jul 13 | http://www.arib.or.jp/english/html/overview/doc/STD-T63v10_00/2_T63/ARIB-STD-T63/Rel9/33/A33222-910.pdf |
| CCSA | CCSA-TSD-TDD-33.222 | 9.1.0 | Published | Jun 12 | http://www.ccsa.org.cn/english/tc/files.php?docpath=/ITU-R/M.1457/M.1457-12/TDD |
| ETSI | ETSI TS 133 222 | 9.1.0 | Published | Jul 10 | http://www.etsi.org/deliver/etsi_ts/133200_133299/133222/09.01.00_60/ |
| Release 10 | | | | | |
| ARIB | ARIB STD-T63-33.222 | 10.0.1 | Approved | Jul 13 | http://www.arib.or.jp/english/html/overview/doc/STD-T63v10_00/2_T63/ARIB-STD-T63/Rel10/33/A33222-a01.pdf |
| CCSA | CCSA-TSD-TDD-33.222 | 10.0.1 | Published | Jun 12 | http://www.ccsa.org.cn/english/tc/files.php?docpath=/ITU-R/M.1457/M.1457-12/TDD |
| ETSI | ETSI TS 133 222 | 10.0.1 | Published | Jan 12 | http://www.etsi.org/deliver/etsi_ts/133200_133299/133222/10.00.01_60/ |
| Release 11 | | | | | |
| ARIB | ARIB STD-T63-33.222 | 11.2.2 | Approved | Jul 13 | http://www.arib.or.jp/english/html/overview/doc/STD-T63v10_00/2_T63/ARIB-STD-T63/Rel11/33/A33222-b22.pdf |
| CCSA | CCSA-TSD-TDD-33.222 | 11.3.0 | Published | Jun 14 | http://www.ccsa.org.cn/english/tc/files.php?docpath=/ITU-R/M.1457/M.1457-12/TDD |
| ETSI | ETSI TS 133 222 | 11.2.2 | Published | Nov 12 | http://www.etsi.org/deliver/etsi_ts/133200_133299/133222/11.02.02_60/ |

5.3.2.13.116 TS 33.223

Generic Authentication Architecture (GAA); Generic Bootstrapping Architecture (GBA) Push function

This document specifies a Push Function as a functional add-on for the Generic Authentication Architecture (GAA).

| SDO (2) | Document No. | Version | Status | Issued date | Location (1) |
|-------------------|---------------------|---------|-----------|-------------|---|
| Release 8 | | | | | |
| ARIB | ARIB STD-T63-33.223 | 8.6.0 | Approved | Jul 13 | http://www.arib.or.jp/english/html/overview/doc/STD-T63v10_00/2_T63/ARIB-STD-T63/Rel8/33/A33223-860.pdf |
| CCSA | CCSA-TSD-TDD-33.223 | 8.6.0 | Published | Jun 12 | http://www.ccsa.org.cn/english/tc/files.php?docpath=/ITU-R/M.1457/M.1457-12/TDD |
| ETSI | ETSI TS 133 223 | 8.6.0 | Published | Apr 10 | http://www.etsi.org/deliver/etsi_ts/133200_133299/133223/08.06.00_60/ |
| Release 9 | | | | | |
| ARIB | ARIB STD-T63-33.223 | 9.1.0 | Approved | Jul 13 | http://www.arib.or.jp/english/html/overview/doc/STD-T63v10_00/2_T63/ARIB-STD-T63/Rel9/33/A33223-910.pdf |
| CCSA | CCSA-TSD-TDD-33.223 | 9.1.0 | Published | Jun 12 | http://www.ccsa.org.cn/english/tc/files.php?docpath=/ITU-R/M.1457/M.1457-12/TDD |
| ETSI | ETSI TS 133 223 | 9.1.0 | Published | Apr 10 | http://www.etsi.org/deliver/etsi_ts/133200_133299/133223/09.01.00_60/ |
| Release 10 | | | | | |

| | | | | | |
|-------------------|---------------------|--------|-----------|--------|---|
| ARIB | ARIB STD-T63-33.223 | 10.0.0 | Approved | Jul 13 | http://www.arib.or.jp/english/html/overview/doc/STD-T63v10_00/2_T63/ARIB-STD-T63/Rel10/33/A33223-a00.pdf |
| CCSA | CCSA-TSD-TDD-33.223 | 10.0.0 | Published | Jun 12 | http://www.ccsa.org.cn/english/tc/files.php?docpath=/ITU-R/M.1457/M.1457-12/TDD |
| ETSI | ETSI TS 133 223 | 10.0.0 | Published | Apr 11 | http://www.etsi.org/deliver/etsi_ts/133200_133299/133223/10.00.00_60/ |
| Release 11 | | | | | |
| ARIB | ARIB STD-T63-33.223 | 11.0.0 | Approved | Jul 13 | http://www.arib.or.jp/english/html/overview/doc/STD-T63v10_00/2_T63/ARIB-STD-T63/Rel11/33/A33223-b00.pdf |
| CCSA | CCSA-TSD-TDD-33.223 | 11.0.0 | Published | Jun 14 | http://www.ccsa.org.cn/english/tc/files.php?docpath=/ITU-R/M.1457/M.1457-12/TDD |
| ETSI | ETSI TS 133 223 | 11.0.0 | Published | Oct 12 | http://www.etsi.org/deliver/etsi_ts/133200_133299/133223/11.00.00_60/ |

5.3.2.13.117 TS 33.224

Generic Authentication Architecture (GAA); Generic Bootstrapping Architecture (GBA) push layer

This document specifies a generic push layer that makes use of the GBA Push Function as specified in TS 33.223. The GPL specification includes a message format, cipher suites and processing model. GPL assumes that keys and other SA parameters have been preinstalled in the Push-NAF and UE in the form of a NAF SA. GPL is a protection protocol that can be applied in a unidirectional fashion. The rationale for GPL is that having each application specify its own security mechanisms would for obvious reasons lead to duplication of work, specifications and implementations. Using a generic secure push layer avoids these problems. A generic secure push layer may also relieve the applications using the service of having to be aware of inner working of the security layer.

| SDO (2) | Document No. | Version | Status | Issued date | Location (1) |
|-------------------|-----------------------------|---------|-----------|-------------|---|
| Release 9 | | | | | |
| CCSA | CCSA-TSD-TDD-33.224 | 9.2.0 | Published | Jun 12 | http://www.ccsa.org.cn/english/tc/files.php?docpath=/ITU-R/M.1457/M.1457-12/TDD |
| ETSI | ETSI TS 133 224 | 9.2.0 | Published | Apr 10 | http://www.etsi.org/deliver/etsi_ts/133200_133299/133224/09.02.00_60/ |
| TTC | TS-3GA-33.224(Rel9)v9.2.0 | 9.2.0 | Approved | Jul 10 | http://www.ttc.or.jp/j/document_list/free/3gpps2010/TS/TS-3GA-33.224(Rel9)v9.2.0.pdf |
| Release 10 | | | | | |
| CCSA | CCSA-TSD-TDD-33.224 | 10.0.0 | Published | Jun 12 | http://www.ccsa.org.cn/english/tc/files.php?docpath=/ITU-R/M.1457/M.1457-12/TDD |
| ETSI | ETSI TS 133 224 | 10.1.0 | Published | Apr 13 | http://www.etsi.org/deliver/etsi_ts/133200_133299/133224/10.01.00_60/ |
| TTC | TS-3GA-33.224(Rel10)v10.1.0 | 10.1.0 | Approved | Jun 13 | http://www.ttc.or.jp/j/document_list/free/3gpps2013/TS/TS-3GA-33.224(Rel10)v10.1.0.pdf |
| Release 11 | | | | | |
| CCSA | CCSA-TSD-TDD-33.224 | 11.1.0 | Published | Jun 14 | http://www.ccsa.org.cn/english/tc/files.php?docpath=/ITU-R/M.1457/M.1457-12/TDD |
| ETSI | ETSI TS 133 224 | 11.1.0 | Published | Apr 13 | http://www.etsi.org/deliver/etsi_ts/133200_133299/133224/11.01.00_60/ |
| TTC | TS-3GA-33.224(Rel11)v11.1.0 | 11.1.0 | Approved | Jun 13 | http://www.ttc.or.jp/j/document_list/free/3gpps2013/TS/TS-3GA-33.224(Rel11)v11.1.0.pdf |

5.3.2.13.118 TS 33.234

3G security; Wireless Local Area Network (WLAN) interworking security

This document specifies the security architecture; trust model and security requirements for the interworking of the 3GPP System and WLAN Access Networks. This specification is not limited to WLAN technologies. It is also valid for other IP based Access Networks that support the same security capabilities towards the interworking system as WLAN does. Specifications of the appropriate mechanisms for user and network authentication, key management, service authorization, confidentiality and integrity protection of user and signalling data are also provided.

| SDO (2) | Document No. | Version | Status | Issued date | Location (1) |
|---------|--------------|---------|--------|-------------|--------------|
|---------|--------------|---------|--------|-------------|--------------|

Release 6

| | | | | | |
|------|---------------------|-------|-----------|--------|---|
| ARIB | ARIB STD-T63-33.234 | 6.9.0 | Approved | Jul 13 | http://www.arib.or.jp/english/html/overview/doc/STD-T63v10_00/2_T63/ARIB-STD-T63/Rel6/33/A33234-690.pdf |
| CCSA | CCSA-TSD-TDD-33.234 | 6.9.0 | Published | Jun 12 | http://www.ccsa.org.cn/english/tc/files.php?docpath=/ITU-R/M.1457/M.1457-12/TDD |
| ETSI | ETSI TS 133 234 | 6.9.0 | Published | Apr 07 | http://www.etsi.org/deliver/etsi_ts/133200_133299/133234/06.09.00_60/ |

Release 7

| | | | | | |
|------|---------------------|-------|-----------|--------|---|
| ARIB | ARIB STD-T63-33.234 | 7.5.0 | Approved | Jul 13 | http://www.arib.or.jp/english/html/overview/doc/STD-T63v10_00/2_T63/ARIB-STD-T63/Rel7/33/A33234-750.pdf |
| CCSA | CCSA-TSD-TDD-33.234 | 7.5.0 | Published | Jun 12 | http://www.ccsa.org.cn/english/tc/files.php?docpath=/ITU-R/M.1457/M.1457-12/TDD |
| ETSI | ETSI TS 133 234 | 7.5.0 | Published | Jun 07 | http://www.etsi.org/deliver/etsi_ts/133200_133299/133234/07.05.00_60/ |

Release 8

| | | | | | |
|------|---------------------|-------|-----------|--------|---|
| ARIB | ARIB STD-T63-33.234 | 8.1.0 | Approved | Jul 13 | http://www.arib.or.jp/english/html/overview/doc/STD-T63v10_00/2_T63/ARIB-STD-T63/Rel8/33/A33234-810.pdf |
| CCSA | CCSA-TSD-TDD-33.234 | 8.1.0 | Published | Jun 12 | http://www.ccsa.org.cn/english/tc/files.php?docpath=/ITU-R/M.1457/M.1457-12/TDD |
| ETSI | ETSI TS 133 234 | 8.1.0 | Published | Feb 09 | http://www.etsi.org/deliver/etsi_ts/133200_133299/133234/08.01.00_60/ |

Release 9

| | | | | | |
|------|---------------------|-------|-----------|--------|---|
| ARIB | ARIB STD-T63-33.234 | 9.2.0 | Approved | Jul 13 | http://www.arib.or.jp/english/html/overview/doc/STD-T63v10_00/2_T63/ARIB-STD-T63/Rel9/33/A33234-920.pdf |
| CCSA | CCSA-TSD-TDD-33.234 | 9.2.0 | Published | Jun 12 | http://www.ccsa.org.cn/english/tc/files.php?docpath=/ITU-R/M.1457/M.1457-12/TDD |
| ETSI | ETSI TS 133 234 | 9.2.0 | Published | Jul 10 | http://www.etsi.org/deliver/etsi_ts/133200_133299/133234/09.02.00_60/ |

Release 10

| | | | | | |
|------|---------------------|--------|-----------|--------|---|
| ARIB | ARIB STD-T63-33.234 | 10.2.0 | Approved | Jul 13 | http://www.arib.or.jp/english/html/overview/doc/STD-T63v10_00/2_T63/ARIB-STD-T63/Rel10/33/A33234-a20.pdf |
| CCSA | CCSA-TSD-TDD-33.234 | 10.1.0 | Published | Jun 12 | http://www.ccsa.org.cn/english/tc/files.php?docpath=/ITU-R/M.1457/M.1457-12/TDD |
| ETSI | ETSI TS 133 234 | 10.2.0 | Published | Mar 12 | http://www.etsi.org/deliver/etsi_ts/133200_133299/133234/10.02.00_60/ |

Release 11

| | | | | | |
|------|---------------------|--------|-----------|--------|---|
| ARIB | ARIB STD-T63-33.234 | 11.4.0 | Approved | Jul 13 | http://www.arib.or.jp/english/html/overview/doc/STD-T63v10_00/2_T63/ARIB-STD-T63/Rel11/33/A33234-b40.pdf |
| CCSA | CCSA-TSD-TDD-33.234 | 11.4.0 | Published | Jun 14 | http://www.ccsa.org.cn/english/tc/files.php?docpath=/ITU-R/M.1457/M.1457-12/TDD |
| ETSI | ETSI TS 133 234 | 11.4.0 | Published | Nov 12 | http://www.etsi.org/deliver/etsi_ts/133200_133299/133234/11.04.00_60/ |

5.3.2.13.119 TS 33.246**3G Security; Security of Multimedia Broadcast/Multicast Service (MBMS)**

The Technical Specification covers the security procedures of the Multimedia Broadcast/Multicast Service (MBMS) for 3GPP systems (UTRAN, GERAN and

E-UTRAN). MBMS is a 3GPP system network bearer service over which many different applications could be carried. The actual method of protection may vary depending on the type of MBMS application.

| SDO (2) | Document No. | Version | Status | Issued date | Location (1) |
|------------------|---------------------|---------|-----------|-------------|---|
| Release 6 | | | | | |
| ARIB | ARIB STD-T63-33.246 | 6.12.0 | Approved | Jul 13 | http://www.arib.or.jp/english/html/overview/doc/STD-T63v10_00/2_T63/ARIB-STD-T63/Rel6/33/A33246-6c0.pdf |
| CCSA | CCSA-TSD-TDD-33.246 | 6.12.0 | Published | Jun 12 | http://www.ccsa.org.cn/english/tc/files.php?docpath=/ITU-R/M.1457/M.1457-12/TDD |
| ETSI | ETSI TS 133 246 | 6.12.0 | Published | Oct 07 | http://www.etsi.org/deliver/etsi_ts/133200_133299/133246/06.12.00_60/ |
| Release 7 | | | | | |
| ARIB | ARIB STD-T63-33.246 | 7.6.0 | Approved | Jul 13 | http://www.arib.or.jp/english/html/overview/doc/STD-T63v10_00/2_T63/ARIB-STD-T63/Rel7/33/A33246-760.pdf |
| CCSA | CCSA-TSD-TDD-33.246 | 7.6.0 | Published | Jun 12 | http://www.ccsa.org.cn/english/tc/files.php?docpath=/ITU-R/M.1457/M.1457-12/TDD |
| ETSI | ETSI TS 133 246 | 7.6.0 | Published | Jan 08 | http://www.etsi.org/deliver/etsi_ts/133200_133299/133246/07.06.00_60/ |

Release 8

| | | | | | |
|------|---------------------|-------|-----------|--------|---|
| ARIB | ARIB STD-T63-33.246 | 8.4.0 | Approved | Jul 13 | http://www.arib.or.jp/english/html/overview/doc/STD-T63v10_00/2_T63/ARIB-STD-T63/Rel8/33/A33246-840.pdf |
| CCSA | CCSA-TSD-TDD-33.246 | 8.4.0 | Published | Jun 12 | http://www.ccsa.org.cn/english/tc/files.php?docpath=/ITU-R/M.1457/M.1457-12/TDD |
| ETSI | ETSI TS 133 246 | 8.4.0 | Published | Jul 09 | http://www.etsi.org/deliver/etsi_ts/133200_133299/133246/08.04.00_60/ |

Release 9

| | | | | | |
|------|---------------------|-------|-----------|--------|---|
| ARIB | ARIB STD-T63-33.246 | 9.1.0 | Approved | Jul 13 | http://www.arib.or.jp/english/html/overview/doc/STD-T63v10_00/2_T63/ARIB-STD-T63/Rel9/33/A33246-910.pdf |
| CCSA | CCSA-TSD-TDD-33.246 | 9.0.0 | Published | Jun 12 | http://www.ccsa.org.cn/english/tc/files.php?docpath=/ITU-R/M.1457/M.1457-12/TDD |
| ETSI | ETSI TS 133 246 | 9.1.0 | Published | Feb 13 | http://www.etsi.org/deliver/etsi_ts/133200_133299/133246/09.01.00_60/ |

Release 10

| | | | | | |
|------|---------------------|--------|-----------|--------|---|
| ARIB | ARIB STD-T63-33.246 | 10.1.0 | Approved | Jul 13 | http://www.arib.or.jp/english/html/overview/doc/STD-T63v10_00/2_T63/ARIB-STD-T63/Rel10/33/A33246-a10.pdf |
| CCSA | CCSA-TSD-TDD-33.246 | 10.0.0 | Published | Jun 12 | http://www.ccsa.org.cn/english/tc/files.php?docpath=/ITU-R/M.1457/M.1457-12/TDD |
| ETSI | ETSI TS 133 246 | 10.1.0 | Published | Feb 13 | http://www.etsi.org/deliver/etsi_ts/133200_133299/133246/10.01.00_60/ |

Release 11

| | | | | | |
|------|---------------------|--------|-----------|--------|---|
| ARIB | ARIB STD-T63-33.246 | 11.1.0 | Approved | Jul 13 | http://www.arib.or.jp/english/html/overview/doc/STD-T63v10_00/2_T63/ARIB-STD-T63/Rel11/33/A33246-b10.pdf |
| CCSA | CCSA-TSD-TDD-33.246 | 11.2.0 | Published | Jun 14 | http://www.ccsa.org.cn/english/tc/files.php?docpath=/ITU-R/M.1457/M.1457-12/TDD |
| ETSI | ETSI TS 133 246 | 11.1.0 | Published | Feb 13 | http://www.etsi.org/deliver/etsi_ts/133200_133299/133246/11.01.00_60/ |

5.3.2.13.120 TS 33.259**Key establishment between a UICC hosting device and a remote device**

This document describes the security features and mechanisms to provision a shared key between a UICC Hosting Device and a Remote Device connected via a local interface. The shared secret is then intended to be used to secure the interface between the Remote Device and the UICC hosting device.

Candidate applications to use this key establishment mechanism include but are not restricted to Personal Network Management (see TS 22.259). The scope of this specification includes an architecture overview and the detailed procedure how to establish the shared key between the UICC Hosting Device and the Remote Device. This is different from the Technical Specification TS 33.110 that describes an architecture overview and the detailed procedure how to establish the shared key between the UICC itself and the terminal hosting the UICC. The use cases utilizing the mechanisms described in this specification are seen to be different to the use cases where “Key establishment between a UICC and a terminal”, IETF RFC 4279 is utilized. The solution described in this document is built on the existing infrastructure defined in “GBA”, TS 33.220.

| SDO (2) | Document No. | Version | Status | Issued date | Location (1) |
|------------------|---------------------|---------|-----------|-------------|---|
| Release 7 | | | | | |
| ARIB | ARIB STD-T63-33.259 | 7.2.0 | Approved | Jul 13 | http://www.arib.or.jp/english/html/overview/doc/STD-T63v10_00/2_T63/ARIB-STD-T63/Rel7/33/A33259-720.pdf |
| CCSA | CCSA-TSD-TDD-33.259 | 7.2.0 | Published | Jun 12 | http://www.ccsa.org.cn/english/tc/files.php?docpath=/ITU-R/M.1457/M.1457-12/TDD |
| ETSI | ETSI TS 133 259 | 7.2.0 | Published | Jan 08 | http://www.etsi.org/deliver/etsi_ts/133200_133299/133259/07.02.00_60/ |
| Release 8 | | | | | |
| ARIB | ARIB STD-T63-33.259 | 8.2.0 | Approved | Jul 13 | http://www.arib.or.jp/english/html/overview/doc/STD-T63v10_00/2_T63/ARIB-STD-T63/Rel8/33/A33259-820.pdf |
| CCSA | CCSA-TSD-TDD-33.259 | 8.2.0 | Published | Jun 12 | http://www.ccsa.org.cn/english/tc/files.php?docpath=/ITU-R/M.1457/M.1457-12/TDD |
| ETSI | ETSI TS 133 259 | 8.2.0 | Published | Jan 09 | http://www.etsi.org/deliver/etsi_ts/133200_133299/133259/08.02.00_60/ |
| Release 9 | | | | | |
| ARIB | ARIB STD-T63-33.259 | 9.0.0 | Approved | Jul 13 | http://www.arib.or.jp/english/html/overview/doc/STD-T63v10_00/2_T63/ARIB-STD-T63/Rel9/33/A33259-900.pdf |

| | | | | | |
|-------------------|---------------------|--------|-----------|--------|---|
| CCSA | CCSA-TSD-TDD-33.259 | 9.0.0 | Published | Jun 12 | http://www.ccsa.org.cn/english/tc/files.php?docpath=/ITU-R/M.1457/M.1457-12/TDD |
| ETSI | ETSI TS 133 259 | 9.0.0 | Published | Feb 10 | http://www.etsi.org/deliver/etsi_ts/133200_133299/133259/09.00.00_60/ |
| Release 10 | | | | | |
| ARIB | ARIB STD-T63-33.259 | 10.0.0 | Approved | Jul 13 | http://www.arib.or.jp/english/html/overview/doc/STD-T63v10_00/2_T63/ARIB-STD-T63/Rel10/33/A33259-a00.pdf |
| CCSA | CCSA-TSD-TDD-33.259 | 10.0.0 | Published | Jun 12 | http://www.ccsa.org.cn/english/tc/files.php?docpath=/ITU-R/M.1457/M.1457-12/TDD |
| ETSI | ETSI TS 133 259 | 10.0.0 | Published | Apr 11 | http://www.etsi.org/deliver/etsi_ts/133200_133299/133259/10.00.00_60/ |
| Release 11 | | | | | |
| ARIB | ARIB STD-T63-33.259 | 11.0.0 | Approved | Jul 13 | http://www.arib.or.jp/english/html/overview/doc/STD-T63v10_00/2_T63/ARIB-STD-T63/Rel11/33/A33259-b00.pdf |
| CCSA | CCSA-TSD-TDD-33.259 | 11.0.0 | Published | Jun 14 | http://www.ccsa.org.cn/english/tc/files.php?docpath=/ITU-R/M.1457/M.1457-12/TDD |
| ETSI | ETSI TS 133 259 | 11.0.0 | Published | Oct 12 | http://www.etsi.org/deliver/etsi_ts/133200_133299/133259/11.00.00_60/ |

5.3.2.13.121 TS 33.310

Network Domain Security (NDS); Authentication Framework (AF)

The scope of this Technical Specification is limited to authentication of network elements, which are using NDS/IP or TLS. In the case of NDS/IP this specification includes both the authentication of Security Gateways (SEG) at the corresponding Za-interfaces and the authentication between NEs and between NEs and SEGs at the Zb-interface. Authentication of end entities (i.e. NEs and SEGs) in the intra-operator domain is considered an internal issue for operators. This is quite much in line with 3GPP TS 33.210 which states that only Za is mandatory and that the security domain operator can decide if the Zb-interface is deployed or not, as the Zb-interface is optional for implementation. Validity of certificates may be restricted to the operator's domain in case of Zb interface or in case of Za-interface between two security domains of the same operator. In the case of TLS this Specification concentrates on authentication of TLS entities across inter-operator links. For example, TLS is specified for inter-operator communications between IMS and non-IMS networks TS 33.203 and on the Zn' interface in GBA TS 33.220.

Authentication of TLS entities across intra-operator links is considered an internal issue for operators. However, NDS/AF can easily be adapted to the intra-operator use case since it is just a simplification of the inter-operator case when all TLS NEs and the PKI infrastructure belong to the same operator. Validity of certificates may be restricted to the operator's domain. An Annex contains information on the manual handling of TLS certificates in case automatic enrolment and revocation according to NDS/AF for TLS is not implemented.

| SDO (2) | Document No. | Version | Status | Issued date | Location (1) |
|------------------|---------------------|---------|-----------|-------------|---|
| Release 6 | | | | | |
| ARIB | ARIB STD-T63-33.310 | 6.2.0 | Approved | Jul 13 | http://www.arib.or.jp/english/html/overview/doc/STD-T63v10_00/2_T63/ARIB-STD-T63/Rel6/33/A33310-620.pdf |
| CCSA | CCSA-TSD-TDD-33.310 | 6.2.0 | Published | Jun 12 | http://www.ccsa.org.cn/english/tc/files.php?docpath=/ITU-R/M.1457/M.1457-12/TDD |
| ETSI | ETSI TS 133 310 | 6.2.0 | Published | Jan 05 | http://www.etsi.org/deliver/etsi_ts/133300_133399/133310/06.02.00_60/ |
| Release 7 | | | | | |
| ARIB | ARIB STD-T63-33.310 | 7.1.0 | Approved | Jul 13 | http://www.arib.or.jp/english/html/overview/doc/STD-T63v10_00/2_T63/ARIB-STD-T63/Rel7/33/A33310-710.pdf |
| CCSA | CCSA-TSD-TDD-33.310 | 7.1.0 | Published | Jun 12 | http://www.ccsa.org.cn/english/tc/files.php?docpath=/ITU-R/M.1457/M.1457-12/TDD |
| ETSI | ETSI TS 133 310 | 7.1.0 | Published | Oct 06 | http://www.etsi.org/deliver/etsi_ts/133300_133399/133310/07.01.00_60/ |
| Release 8 | | | | | |
| ARIB | ARIB STD-T63-33.310 | 8.4.0 | Approved | Jul 13 | http://www.arib.or.jp/english/html/overview/doc/STD-T63v10_00/2_T63/ARIB-STD-T63/Rel8/33/A33310-840.pdf |

| | | | | | |
|-------------------|---------------------|--------|-----------|--------|---|
| CCSA | CCSA-TSD-TDD-33.310 | 8.4.0 | Published | Jun 12 | http://www.ccsa.org.cn/english/tc/files.php?docpath=/ITU-R/M.1457/M.1457-12/TDD |
| ETSI | ETSI TS 133 310 | 8.4.0 | Published | Jul 10 | http://www.etsi.org/deliver/etsi_ts/133300_133399/133310/08.04.00_60/ |
| Release 9 | | | | | |
| ARIB | ARIB STD-T63-33.310 | 9.8.0 | Approved | Jul 13 | http://www.arib.or.jp/english/html/overview/doc/STD-T63v10_00/2_T63/ARIB-STD-T63/Rel9/33/A33310-980.pdf |
| CCSA | CCSA-TSD-TDD-33.310 | 9.7.0 | Published | Jun 12 | http://www.ccsa.org.cn/english/tc/files.php?docpath=/ITU-R/M.1457/M.1457-12/TDD |
| ETSI | ETSI TS 133 310 | 9.8.0 | Published | Feb 13 | http://www.etsi.org/deliver/etsi_ts/133300_133399/133310/09.08.00_60/ |
| Release 10 | | | | | |
| ARIB | ARIB STD-T63-33.310 | 10.7.0 | Approved | Jul 13 | http://www.arib.or.jp/english/html/overview/doc/STD-T63v10_00/2_T63/ARIB-STD-T63/Rel10/33/A33310-a70.pdf |
| CCSA | CCSA-TSD-TDD-33.310 | 10.5.0 | Published | Jun 12 | http://www.ccsa.org.cn/english/tc/files.php?docpath=/ITU-R/M.1457/M.1457-12/TDD |
| ETSI | ETSI TS 133 310 | 10.7.0 | Published | Feb 13 | http://www.etsi.org/deliver/etsi_ts/133300_133399/133310/10.07.00_60/ |
| Release 11 | | | | | |
| ARIB | ARIB STD-T63-33.310 | 11.2.0 | Approved | Jul 13 | http://www.arib.or.jp/english/html/overview/doc/STD-T63v10_00/2_T63/ARIB-STD-T63/Rel11/33/A33310-b20.pdf |
| CCSA | CCSA-TSD-TDD-33.310 | 11.2.0 | Published | Jun 14 | http://www.ccsa.org.cn/english/tc/files.php?docpath=/ITU-R/M.1457/M.1457-12/TDD |
| ETSI | ETSI TS 133 310 | 11.2.0 | Published | Feb 13 | http://www.etsi.org/deliver/etsi_ts/133300_133399/133310/11.02.00_60/ |

5.3.2.13.122 TS 33.320

Security of Home Node B (HNB)/Home evolved Node B (HeNB)

This document specifies the security architecture for the H(e)NB subsystem. This includes security requirements on Home Node Bs, Home eNode Bs, and other H(e)NB-associated network nodes (e.g. SeGW and H(e)MS), as well as the procedures and features which are provided to meet those requirements.

| SDO (2) | Document No. | Version | Status | Issued date | Location (1) |
|-------------------|---------------------|---------|-----------|-------------|---|
| Release 9 | | | | | |
| ARIB | ARIB STD-T63-33.320 | 9.7.0 | Approved | Jul 13 | http://www.arib.or.jp/english/html/overview/doc/STD-T63v10_00/2_T63/ARIB-STD-T63/Rel9/33/A33320-970.pdf |
| CCSA | CCSA-TSD-TDD-33.320 | 9.6.0 | Published | Jun 12 | http://www.ccsa.org.cn/english/tc/files.php?docpath=/ITU-R/M.1457/M.1457-12/TDD |
| ETSI | ETSI TS 133 320 | 9.7.0 | Published | Feb 13 | http://www.etsi.org/deliver/etsi_ts/133300_133399/133320/09.07.00_60/ |
| Release 10 | | | | | |
| ARIB | ARIB STD-T63-33.320 | 10.5.0 | Approved | Jul 13 | http://www.arib.or.jp/english/html/overview/doc/STD-T63v10_00/2_T63/ARIB-STD-T63/Rel10/33/A33320-a50.pdf |
| CCSA | CCSA-TSD-TDD-33.320 | 10.4.0 | Published | Jun 12 | http://www.ccsa.org.cn/english/tc/files.php?docpath=/ITU-R/M.1457/M.1457-12/TDD |
| ETSI | ETSI TS 133 320 | 10.5.0 | Published | Jul 12 | http://www.etsi.org/deliver/etsi_ts/133300_133399/133320/10.05.00_60/ |
| Release 11 | | | | | |
| ARIB | ARIB STD-T63-33.320 | 11.6.0 | Approved | Jul 13 | http://www.arib.or.jp/english/html/overview/doc/STD-T63v10_00/2_T63/ARIB-STD-T63/Rel11/33/A33320-b60.pdf |
| CCSA | CCSA-TSD-TDD-33.320 | 11.6.0 | Published | Jun 14 | http://www.ccsa.org.cn/english/tc/files.php?docpath=/ITU-R/M.1457/M.1457-12/TDD |
| ETSI | ETSI TS 133 320 | 11.6.0 | Published | Nov 12 | http://www.etsi.org/deliver/etsi_ts/133300_133399/133320/11.06.00_60/ |

5.3.2.13.123 TS 33.328

IP Multimedia Subsystem (IMS) media plane security

This document presents IMS media plane security for RTP based media which is designed to meet the following three main objectives:

- to provide security for media usable across all access networks;

- to provide an end-to-end (e2e) media security solution to satisfy major user categories;
- to provide end-to-end (e2e) media security for important user groups like enterprises, National Security and Public Safety (NSPS) organizations and different government authorities who may have weaker trust in the inherent IMS security and/or may desire to provide their own key management service.

The media plane security in this release of the TS is based on the well-established protocol SRTP. Key management solutions for SRTP are defined in this specification.

| SDO (2) | Document No. | Version | Status | Issued date | Location (1) |
|-------------------|-----------------------------|---------|-----------|-------------|---|
| Release 9 | | | | | |
| CCSA | CCSA-TSD-TDD-33.328 | 9.3.0 | Published | Jun 12 | http://www.ccsa.org.cn/english/tc/files.php?docpath=/ITU-R/M.1457/M.1457-12/TDD |
| ETSI | ETSI TS 133 328 | 9.3.0 | Published | Jan 11 | http://www.etsi.org/deliver/etsi_ts/133300_133399/133328/09.03.00_60/ |
| TTC | TS-3GA-33.328(Rel9)v9.3.0 | 9.3.0 | Approved | Apr 11 | http://www.ttc.or.jp/j/document_list/free/3gpps2011/TS/TS-3GA-33.328(Rel9)v9.3.0.pdf |
| Release 10 | | | | | |
| CCSA | CCSA-TSD-TDD-33.328 | 10.0.0 | Published | Jun 12 | http://www.ccsa.org.cn/english/tc/files.php?docpath=/ITU-R/M.1457/M.1457-12/TDD |
| ETSI | ETSI TS 133 328 | 10.0.0 | Published | Apr 11 | http://www.etsi.org/deliver/etsi_ts/133300_133399/133328/10.00.00_60/ |
| TTC | TS-3GA-33.328(Rel10)v10.0.0 | 10.0.0 | Approved | Jun 11 | http://www.ttc.or.jp/j/document_list/free/3gpps2011/TS/TS-3GA-33.328(Rel10)v10.0.0.pdf |
| Release 11 | | | | | |
| CCSA | CCSA-TSD-TDD-33.328 | 11.0.0 | Published | Jun 14 | http://www.ccsa.org.cn/english/tc/files.php?docpath=/ITU-R/M.1457/M.1457-12/TDD |
| ETSI | ETSI TS 133 328 | 11.0.0 | Published | Oct 12 | http://www.etsi.org/deliver/etsi_ts/133300_133399/133328/11.00.00_60/ |
| TTC | TS-3GA-33.328(Rel11)v11.0.0 | 11.0.0 | Approved | Jun 13 | http://www.ttc.or.jp/j/document_list/free/3gpps2013/TS/TS-3GA-33.328(Rel11)v11.0.0.pdf |

5.3.2.13.124 TS 33.401

3GPP System Architecture Evolution (SAE); Security architecture

This document specifies the security architecture, i.e. the security features and the security mechanisms for the Evolved Packet System and the Evolved Packet Core, and the security procedures performed within the evolved Packet System (EPS) including the Evolved Packet Core (EPC) and the Evolved UTRAN (E-UTRAN).

| SDO (2) | Document No. | Version | Status | Issued date | Location (1) |
|-------------------|---------------------|---------|-----------|-------------|---|
| Release 8 | | | | | |
| ARIB | ARIB STD-T63-33.401 | 8.8.0 | Approved | Jul 13 | http://www.arib.or.jp/english/html/overview/doc/STD-T63v10_00/2_T63/ARIB-STD-T63/Rel8/33/A33401-880.pdf |
| CCSA | CCSA-TSD-TDD-33.401 | 8.8.0 | Published | Jun 12 | http://www.ccsa.org.cn/english/tc/files.php?docpath=/ITU-R/M.1457/M.1457-12/TDD |
| ETSI | ETSI TS 133 401 | 8.8.0 | Published | Jun 11 | http://www.etsi.org/deliver/etsi_ts/133400_133499/133401/08.08.00_60/ |
| Release 9 | | | | | |
| ARIB | ARIB STD-T63-33.401 | 9.7.0 | Approved | Jul 13 | http://www.arib.or.jp/english/html/overview/doc/STD-T63v10_00/2_T63/ARIB-STD-T63/Rel9/33/A33401-970.pdf |
| CCSA | CCSA-TSD-TDD-33.401 | 9.7.0 | Published | Jun 12 | http://www.ccsa.org.cn/english/tc/files.php?docpath=/ITU-R/M.1457/M.1457-12/TDD |
| ETSI | ETSI TS 133 401 | 9.7.0 | Published | Jun 11 | http://www.etsi.org/deliver/etsi_ts/133400_133499/133401/09.07.00_60/ |
| Release 10 | | | | | |

| | | | | | |
|-------------------|---------------------|--------|-----------|--------|---|
| ARIB | ARIB STD-T63-33.401 | 10.4.0 | Approved | Jul 13 | http://www.arib.or.jp/english/html/overview/doc/STD-T63v10_00/2_T63/ARIB-STD-T63/Rel10/33/A33401-a40.pdf |
| CCSA | CCSA-TSD-TDD-33.401 | 10.2.0 | Published | Jun 12 | http://www.ccsa.org.cn/english/tc/files.php?docpath=/ITU-R/M.1457/M.1457-12/TDD |
| ETSI | ETSI TS 133 401 | 10.4.0 | Published | Apr 13 | http://www.etsi.org/deliver/etsi_ts/133400_133499/133401/10.04.00_60/ |
| Release 11 | | | | | |
| ARIB | ARIB STD-T63-33.401 | 11.6.0 | Approved | Jul 13 | http://www.arib.or.jp/english/html/overview/doc/STD-T63v10_00/2_T63/ARIB-STD-T63/Rel11/33/A33401-b60.pdf |
| CCSA | CCSA-TSD-TDD-33.401 | 11.7.0 | Published | Jun 14 | http://www.ccsa.org.cn/english/tc/files.php?docpath=/ITU-R/M.1457/M.1457-12/TDD |
| ETSI | ETSI TS 133 401 | 11.6.0 | Published | Apr 13 | http://www.etsi.org/deliver/etsi_ts/133400_133499/133401/11.06.00_60/ |

5.3.2.13.125 TR 33.901

Criteria for cryptographic Algorithm design process

This report describes the process used to design cipher and integrity algorithm.

| SDO (2) | Document No. | Version | Status | Issued date | Location (1) |
|-------------------|---------------------|---------|-----------|-------------|---|
| Release 99 | | | | | |
| ARIB | ARIB TR-T12-33.901 | 3.0.0 | Approved | Jul 13 | http://www.arib.or.jp/english/html/overview/doc/STD-T63v10_00/3_T12/ARIB-TR-T12/R99/33/A33901-300.pdf |
| CCSA | CCSA-TSD-TDD-33.901 | 3.0.0 | Published | Feb 00 | http://www.ccsa.org.cn/english/tc/files.php?docpath=/ITU-R/M.1457/M.1457-12/TDD |
| ETSI | ETSI TR 133 901 | 3.0.0 | Published | Feb 00 | http://www.etsi.org/deliver/etsi_tr/133900_133999/133901/03.00.00_60/ |
| Release 4 | | | | | |
| ARIB | ARIB TR-T12-33.901 | 4.0.0 | Approved | Jul 13 | http://www.arib.or.jp/english/html/overview/doc/STD-T63v10_00/3_T12/ARIB-TR-T12/Rel4/33/A33901-400.pdf |
| CCSA | CCSA-TSD-TDD-33.901 | 4.0.0 | Published | Oct 01 | http://www.ccsa.org.cn/english/tc/files.php?docpath=/ITU-R/M.1457/M.1457-12/TDD |
| ETSI | ETSI TR 133 901 | 4.0.0 | Published | Oct 01 | http://www.etsi.org/deliver/etsi_tr/133900_133999/133901/04.00.00_60/ |

5.3.2.13.126 TR 33.902

Formal Analysis of the 3G Authentication Protocol

Formal analysis using BAN and temporal logic of authentication mechanism.

| SDO (2) | Document No. | Version | Status | Issued date | Location (1) |
|-------------------|---------------------|---------|-----------|-------------|---|
| Release 99 | | | | | |
| ARIB | ARIB TR-T12-33.902 | 3.1.0 | Approved | Jul 13 | http://www.arib.or.jp/english/html/overview/doc/STD-T63v10_40/3_T12/ARIB-TR-T12/R99/33/A33902-310.pdf |
| CCSA | CCSA-TSD-TDD-33.902 | 3.1.0 | Published | Feb 00 | http://www.ccsa.org.cn/english/tc/files.php?docpath=/ITU-R/M.1457/M.1457-12/TDD |
| ETSI | ETSI TR 133 902 | 3.1.0 | Published | Feb 00 | http://www.etsi.org/deliver/etsi_tr/133900_133999/133902/03.01.00_60/ |
| Release 4 | | | | | |
| ARIB | ARIB TR-T12-33.902 | 4.0.0 | Approved | Jul 13 | http://www.arib.or.jp/english/html/overview/doc/STD-T63v10_40/3_T12/ARIB-TR-T12/Rel4/33/A33902-400.pdf |
| CCSA | CCSA-TSD-TDD-33.902 | 4.0.0 | Published | Oct 01 | http://www.ccsa.org.cn/english/tc/files.php?docpath=/ITU-R/M.1457/M.1457-12/TDD |
| ETSI | ETSI TR 133 902 | 4.0.0 | Published | Oct 01 | http://www.etsi.org/deliver/etsi_tr/133900_133999/133902/04.00.00_60/ |

5.3.2.13.127 TR 33.905

Recommendations for Trusted Open Platforms

This technical report investigates relevant trust standards and technologies, both existing as well as the ones that are work-in-progress. It develops the

recommendations for trusted open platforms for delivery of new applications and services to open platforms.

| SDO (2) | Document No. | Version | Status | Issued date | Location (1) |
|-------------------|-----------------------------|---------|-----------|-------------|---|
| Release 7 | | | | | |
| CCSA | CCSA-TSD-TDD-33.905 | 7.0.0 | Published | Jun 12 | http://www.ccsa.org.cn/english/tc/files.php?docpath=/ITU-R/M.1457/M.1457-12/TDD |
| ETSI | ETSI TR 133 905 | 7.0.0 | Published | Jul 07 | http://www.etsi.org/deliver/etsi_tr/133900_133999/133905/07.00.00_60/ |
| TTC | TR-3GA-33.905(Rel7)v7.0.0 | 7.0.0 | Approved | Mar 08 | http://www.ttc.or.jp/j/document_list/free/TR/TR-3GA-33.905(Rel7)v7.0.0.pdf |
| Release 8 | | | | | |
| CCSA | CCSA-TSD-TDD-33.905 | 8.0.0 | Published | Jun 12 | http://www.ccsa.org.cn/english/tc/files.php?docpath=/ITU-R/M.1457/M.1457-12/TDD |
| ETSI | ETSI TR 133 905 | 8.0.0 | Published | Feb 09 | http://www.etsi.org/deliver/etsi_tr/133900_133999/133905/08.00.00_60/ |
| TTC | TR-3GA-33.905(Rel8)v8.0.0 | 8.0.0 | Approved | Feb 09 | http://www.ttc.or.jp/j/document_list/free/3gpps2009/TR/TR-3GA-33.905(Rel8)v8.0.0.pdf |
| Release 9 | | | | | |
| CCSA | CCSA-TSD-TDD-33.905 | 9.0.0 | Published | Jun 12 | http://www.ccsa.org.cn/english/tc/files.php?docpath=/ITU-R/M.1457/M.1457-12/TDD |
| ETSI | ETSI TR 133 905 | 9.0.0 | Published | Feb 10 | http://www.etsi.org/deliver/etsi_tr/133900_133999/133905/09.00.00_60/ |
| TTC | TR-3GA-33.905(Rel9)v9.0.0 | 9.0.0 | Approved | Jul 10 | http://www.ttc.or.jp/j/document_list/free/3gpps2010/TR/TR-3GA-33.905(Rel9)v9.0.0.pdf |
| Release 10 | | | | | |
| CCSA | CCSA-TSD-TDD-33.905 | 10.0.0 | Published | Jun 12 | http://www.ccsa.org.cn/english/tc/files.php?docpath=/ITU-R/M.1457/M.1457-12/TDD |
| ETSI | ETSI TR 133 905 | 10.0.0 | Published | Apr 11 | http://www.etsi.org/deliver/etsi_tr/133900_133999/133905/10.00.00_60/ |
| TTC | TR-3GA-33.905(Rel10)v10.0.0 | 10.0.0 | Approved | Jun 11 | http://www.ttc.or.jp/j/document_list/free/3gpps2011/TR/TR-3GA-33.905(Rel10)v10.0.0.pdf |
| Release 11 | | | | | |
| CCSA | CCSA-TSD-TDD-33.905 | 11.0.0 | Published | Jun 14 | http://www.ccsa.org.cn/english/tc/files.php?docpath=/ITU-R/M.1457/M.1457-12/TDD |
| ETSI | ETSI TR 133 905 | 11.0.0 | Published | Nov 12 | http://www.etsi.org/deliver/etsi_tr/133900_133999/133905/11.00.00_60/ |
| TTC | TR-3GA-33.905(Rel11)v11.0.0 | 11.0.0 | Approved | Jun 13 | http://www.ttc.or.jp/j/document_list/free/3gpps2013/TR/TR-3GA-33.905(Rel11)v11.0.0.pdf |

5.3.2.13.128 TR 33.908

3G Security; General report on the design, specification and evaluation of 3GPP standard confidentiality and integrity algorithms

This technical report is a description of the work undertaken by SAGE Task Force for the design of the standard 3GPP Confidentiality and Integrity Algorithms (SAGE TF 3GPP).

With regard to the design of the algorithms, the scope of this document is confined to a description of the design criteria, the design methodology and an outline of the content and structure of the specification and test data documents.

The standard 3GPP Confidentiality and Integrity Algorithms are based on a Block Cipher named KASUMI. The algorithms specification and associated test data are documented in the Specification of the 3GPP Confidentiality and Integrity Algorithms which consists of the following four documents:

- Specification of the 3GPP Confidentiality and Integrity Algorithms; Document 1: f8 and f9 specifications (TS 35.201);
- Specification of the 3GPP Confidentiality and Integrity Algorithms; Document 2: KASUMI algorithm specification (TS 35.202);
- Specification of the 3GPP Confidentiality and Integrity Algorithms; Document 3: Implementors' test data (TS 35.203);

- Specification of the 3GPP Confidentiality and Integrity Algorithms; Document 4: Design conformance test data (TS 35.204).

With regard to the evaluation of the algorithm, the scope of this report is restricted to a description of the evaluation criteria, the method of evaluation and the main conclusions from the evaluation that led to the Task Force approving the specification. A detailed summary of conclusions of the evaluation is provided in a public evaluation report TS 33.909 produced by the Task Force.

| SDO (2) | Document No. | Version | Status | Issued date | Location (1) |
|-------------------|---------------------|---------|-----------|-------------|---|
| Release 99 | | | | | |
| ARIB | ARIB TR-T12-33.908 | 3.0.0 | Approved | Jul 13 | http://www.arib.or.jp/english/html/overview/doc/STD-T63v10_00/3_T12/ARIB-TR-T12/R99/33/A33908-300.pdf |
| CCSA | CCSA-TSD-TDD-33.908 | 3.0.0 | Published | Jun 12 | http://www.ccsa.org.cn/english/tc/files.php?docpath=/ITU-R/M.1457/M.1457-12/TDD |
| ETSI | ETSI TR 133 908 | 3.0.0 | Published | May 00 | http://www.etsi.org/deliver/etsi_tr/133900_133999/133908/03.00.00_60/ |
| Release 4 | | | | | |
| ARIB | ARIB TR-T12-33.908 | 4.0.0 | Approved | Jul 13 | http://www.arib.or.jp/english/html/overview/doc/STD-T63v10_00/3_T12/ARIB-TR-T12/Rel4/33/A33908-400.pdf |
| CCSA | CCSA-TSD-TDD-33.908 | 4.0.0 | Published | Jun 12 | http://www.ccsa.org.cn/english/tc/files.php?docpath=/ITU-R/M.1457/M.1457-12/TDD |
| ETSI | ETSI TR 133 908 | 4.0.0 | Published | Oct 01 | http://www.etsi.org/deliver/etsi_tr/133900_133999/133908/04.00.00_60/ |
| Release 11 | | | | | |
| CCSA | CCSA-TSD-TDD-33.908 | 4.0.0 | Published | Jun 14 | http://www.ccsa.org.cn/english/tc/files.php?docpath=/ITU-R/M.1457/M.1457-12/TDD |

5.3.2.13.129 TR 33.909

3G Security; Report on the design and evaluation of the MILENAGE algorithm set; Deliverable 5: An example algorithm for the 3GPP authentication and key generation functions

This public report contains a detailed summary of the work performed during the design and evaluation of the 3GPP Authentication Functions denoted as the MILENAGE algorithm set. It contains all results and findings from this work and should be read as a supplement to the specifications of the algorithms in TS 35.205 and the general project report, TS 35.209.

| SDO (2) | Document No. | Version | Status | Issued date | Location (1) |
|------------------|---------------------|---------|-----------|-------------|---|
| Release 4 | | | | | |
| ARIB | ARIB TR-T12-33.909 | 4.0.1 | Approved | Jul 13 | http://www.arib.or.jp/english/html/overview/doc/STD-T63v10_00/3_T12/ARIB-TR-T12/Rel4/33/A33909-401.pdf |
| CCSA | CCSA-TSD-TDD-33.909 | 4.0.1 | Published | Jun 12 | http://www.ccsa.org.cn/english/tc/files.php?docpath=/ITU-R/M.1457/M.1457-12/TDD |
| ETSI | ETSI TR 133 909 | 4.0.1 | Published | Aug 01 | http://www.etsi.org/deliver/etsi_tr/133900_133999/133909/04.00.01_60/ |

5.3.2.13.130 TR 33.918

Generic Authentication Architecture (GAA); Early implementation of Hypertext Transfer Protocol over Transport Layer Security (HTTPS) connection between a Universal Integrated Circuit Card (UICC) and a Network Application Function (NAF)

This document gives guidance on how to perform an early implementation of HTTPS connections between a UICC-based application and a Network Application Function in the Generic Authentication Architecture (GAA).

| SDO (2) | Document No. | Version | Status | Issued date | Location (1) |
|---------|--------------|---------|--------|-------------|--------------|
|---------|--------------|---------|--------|-------------|--------------|

Release 7

| | | | | | |
|------|---------------------|-------|-----------|--------|---|
| ARIB | ARIB TR-T12-33.918 | 7.0.0 | Approved | Jul 13 | http://www.arib.or.jp/english/html/overview/doc/STD-T63v10_00/3_T12/ARIB-TR-T12/Rel7/33/A33918-700.pdf |
| CCSA | CCSA-TSD-TDD-33.918 | 7.0.0 | Published | Jun 12 | http://www.ccsa.org.cn/english/tc/files.php?docpath=/ITU-R/M.1457/M.1457-12/TDD |
| ETSI | ETSI TR 133 918 | 7.0.0 | Published | Jul 07 | http://www.etsi.org/deliver/etsi_tr/133900_133999/133918/07.00.00_60/ |

5.3.2.13.131 TR 33.919**3G Security; Generic Authentication Architecture (GAA); System description**

This 3GPP Technical Report gives an overview of the different mechanisms that mobile applications can rely upon for authentication between server and client (i.e. the UE). Additionally it provides guidelines related to the use of GAA and to the choice of authentication mechanism in a given situation and for a given application.

To this end the TR puts the different 3GPP GAA related specifications into perspective. It clarifies the logic for having the technical specifications and technical reports, sketches their content and explains the inter-relation between these 3GPP TSs and TRs and their relation with this TR. The heart of GAA consists out of the Generic Bootstrapping Architecture (GBA): The GBA core specifications consist out of TS 33.220, TS 24.109 and TS 29.109.

GBA in turn is then used by many other TSs and TRs to enable specific usages e.g. HTTPS, subscriber certificates.

| SDO (2) | Document No. | Version | Status | Issued date | Location (1) |
|-------------------|---------------------|---------|-----------|-------------|---|
| Release 6 | | | | | |
| ARIB | ARIB TR-T12-33.919 | 6.2.0 | Approved | Jul 13 | http://www.arib.or.jp/english/html/overview/doc/STD-T63v10_00/3_T12/ARIB-TR-T12/Rel6/33/A33919-620.pdf |
| CCSA | CCSA-TSD-TDD-33.919 | 6.2.0 | Published | Jun 12 | http://www.ccsa.org.cn/english/tc/files.php?docpath=/ITU-R/M.1457/M.1457-12/TDD |
| ETSI | ETSI TR 133 919 | 6.2.0 | Published | Apr 05 | http://www.etsi.org/deliver/etsi_tr/133900_133999/133919/06.02.00_60/ |
| Release 7 | | | | | |
| ARIB | ARIB TR-T12-33.919 | 7.2.0 | Approved | Jul 13 | http://www.arib.or.jp/english/html/overview/doc/STD-T63v10_00/3_T12/ARIB-TR-T12/Rel7/33/A33919-720.pdf |
| CCSA | CCSA-TSD-TDD-33.919 | 7.2.0 | Published | Jun 12 | http://www.ccsa.org.cn/english/tc/files.php?docpath=/ITU-R/M.1457/M.1457-12/TDD |
| ETSI | ETSI TR 133 919 | 7.2.0 | Published | Jul 07 | http://www.etsi.org/deliver/etsi_tr/133900_133999/133919/07.02.00_60/ |
| Release 8 | | | | | |
| ARIB | ARIB TR-T12-33.919 | 8.0.0 | Approved | Jul 13 | http://www.arib.or.jp/english/html/overview/doc/STD-T63v10_00/3_T12/ARIB-TR-T12/Rel8/33/A33919-800.pdf |
| CCSA | CCSA-TSD-TDD-33.919 | 8.0.0 | Published | Jun 12 | http://www.ccsa.org.cn/english/tc/files.php?docpath=/ITU-R/M.1457/M.1457-12/TDD |
| ETSI | ETSI TR 133 919 | 8.0.0 | Published | Feb 09 | http://www.etsi.org/deliver/etsi_tr/133900_133999/133919/08.00.00_60/ |
| Release 9 | | | | | |
| ARIB | ARIB TR-T12-33.919 | 9.1.0 | Approved | Jul 13 | http://www.arib.or.jp/english/html/overview/doc/STD-T63v10_00/3_T12/ARIB-TR-T12/Rel9/33/A33919-910.pdf |
| CCSA | CCSA-TSD-TDD-33.919 | 9.1.0 | Published | Jun 12 | http://www.ccsa.org.cn/english/tc/files.php?docpath=/ITU-R/M.1457/M.1457-12/TDD |
| ETSI | ETSI TR 133 919 | 9.1.0 | Published | Jul 10 | http://www.etsi.org/deliver/etsi_tr/133900_133999/133919/09.01.00_60/ |
| Release 10 | | | | | |
| ARIB | ARIB TR-T12-33.919 | 10.0.0 | Approved | Jul 13 | http://www.arib.or.jp/english/html/overview/doc/STD-T63v10_00/3_T12/ARIB-TR-T12/Rel10/33/A33919-a00.pdf |
| CCSA | CCSA-TSD-TDD-33.919 | 10.0.0 | Published | Jun 12 | http://www.ccsa.org.cn/english/tc/files.php?docpath=/ITU-R/M.1457/M.1457-12/TDD |
| ETSI | ETSI TR 133 919 | 10.0.0 | Published | Apr 11 | http://www.etsi.org/deliver/etsi_tr/133900_133999/133919/10.00.00_60/ |
| Release 11 | | | | | |
| ARIB | ARIB TR-T12-33.919 | 11.0.0 | Approved | Jul 13 | http://www.arib.or.jp/english/html/overview/doc/STD-T63v10_00/3_T12/ARIB-TR-T12/Rel11/33/A33919-b00.pdf |
| CCSA | CCSA-TSD-TDD-33.919 | 11.0.0 | Published | Jun 14 | http://www.ccsa.org.cn/english/tc/files.php?docpath=/ITU-R/M.1457/M.1457-12/TDD |

ETSI ETSI TR 133 919 11.0.0 Published Nov 12 http://www.etsi.org/deliver/etsi_tr/133900_133999/133919/11.00.00_60/

5.3.2.13.132 TR 33.920

SIM card based Generic Bootstrapping Architecture (GBA); Early implementation feature

This document describes which change requests are to be implemented in addition to the Release 6 specifications TS 33.220, TS 29.109, and TS 24.109 to enable the usage of 2G GBA.

| SDO (2) | Document No. | Version | Status | Issued date | Location (1) |
|------------------|---------------------|---------|-----------|-------------|---|
| Release 7 | | | | | |
| ARIB | ARIB TR-T12-33.920 | 7.5.0 | Approved | Jul 13 | http://www.arib.or.jp/english/html/overview/doc/STD-T63v10_00/3_T12/ARIB-TR-T12/Rel7/33/A33920-750.pdf |
| CCSA | CCSA-TSD-TDD-33.920 | 7.5.0 | Published | Jun 12 | http://www.ccsa.org.cn/english/tc/files.php?docpath=/ITU-R/M.1457/M.1457-12/TDD |
| ETSI | ETSI TR 133 920 | 7.5.0 | Published | Apr 08 | http://www.etsi.org/deliver/etsi_tr/133900_133999/133920/07.05.00_60/ |

5.3.2.13.133 TR 33.924

Identity management and 3GPP security interworking; Identity management and Generic Authentication Architecture (GAA) interworking

The objective is to extend identity management as outlined in TS 33.220, TS 33.222, TS 29.109 and TR 33.980 with the latest developments on identity management outside of the 3GPP sphere. This will allow a better integration and usage of identity management for services in 3GPP and seamless integration with existing services that are not standardized in 3GPP. This report outlines the interworking of GBA and OpenID.

| SDO (2) | Document No. | Version | Status | Issued date | Location (1) |
|-------------------|---------------------|---------|-----------|-------------|---|
| Release 9 | | | | | |
| ARIB | ARIB TR-T12-33.924 | 9.4.0 | Approved | Jul 13 | http://www.arib.or.jp/english/html/overview/doc/STD-T63v10_00/3_T12/ARIB-TR-T12/Rel9/33/A33924-940.pdf |
| CCSA | CCSA-TSD-TDD-33.924 | 9.4.0 | Published | Jun 12 | http://www.ccsa.org.cn/english/tc/files.php?docpath=/ITU-R/M.1457/M.1457-12/TDD |
| ETSI | ETSI TR 133 924 | 9.4.0 | Published | Jun 11 | http://www.etsi.org/deliver/etsi_tr/133900_133999/133924/09.04.00_60/ |
| Release 10 | | | | | |
| ARIB | ARIB TR-T12-33.924 | 10.1.0 | Approved | Jul 13 | http://www.arib.or.jp/english/html/overview/doc/STD-T63v10_00/3_T12/ARIB-TR-T12/Rel10/33/A33924-a10.pdf |
| CCSA | CCSA-TSD-TDD-33.924 | 10.1.0 | Published | Jun 12 | http://www.ccsa.org.cn/english/tc/files.php?docpath=/ITU-R/M.1457/M.1457-12/TDD |
| ETSI | ETSI TR 133 924 | 10.1.0 | Published | Jun 11 | http://www.etsi.org/deliver/etsi_tr/133900_133999/133924/10.01.00_60/ |
| Release 11 | | | | | |
| ARIB | ARIB TR-T12-33.924 | 11.0.0 | Approved | Jul 13 | http://www.arib.or.jp/english/html/overview/doc/STD-T63v10_00/3_T12/ARIB-TR-T12/Rel11/33/A33924-b00.pdf |
| CCSA | CCSA-TSD-TDD-33.924 | 11.0.0 | Published | Jun 14 | http://www.ccsa.org.cn/english/tc/files.php?docpath=/ITU-R/M.1457/M.1457-12/TDD |
| ETSI | ETSI TR 133 924 | 11.0.0 | Published | Nov 12 | http://www.etsi.org/deliver/etsi_tr/133900_133999/133924/11.00.00_60/ |

5.3.2.13.134 TR 33.937

Study of mechanisms for Protection against Unsolicited Communication for IMS (PUCI)

The scope of this Report is to highlight alternative solutions that could be used to protect mobile subscribers from receiving unsolicited communication over IMS and to analyze these solutions in respect of their requirements and impacts on standardized interfaces. This activity took into account the study done in

ETSI TISPAN TR 187 009 on “Feasibility study of prevention of unsolicited communications in the NGN”.

| SDO (2) | Document No. | Version | Status | Issued date | Location (1) |
|-------------------|-----------------------------|---------|-----------|-------------|---|
| Release 9 | | | | | |
| CCSA | CCSA-TSD-TDD-33.937 | 9.2.0 | Published | Jun 12 | http://www.ccsa.org.cn/english/tc/files.php?docpath=/ITU-R/M.1457/M.1457-12/TDD |
| ETSI | ETSI TR 133 937 | 9.2.0 | Published | Jul 10 | http://www.etsi.org/deliver/etsi_tr/133900_133999/133937/09.02.00_60/ |
| TTC | TR-3GA-33.937(Rel9)v9.2.0 | 9.2.0 | Approved | Oct 10 | http://www.ttc.or.jp/j/document_list/free/3gpps2010/TR/TR-3GA-33.937(Rel9)v9.2.0.pdf |
| Release 10 | | | | | |
| CCSA | CCSA-TSD-TDD-33.937 | 10.0.0 | Published | Jun 12 | http://www.ccsa.org.cn/english/tc/files.php?docpath=/ITU-R/M.1457/M.1457-12/TDD |
| ETSI | ETSI TR 133 937 | 10.0.0 | Published | Apr 11 | http://www.etsi.org/deliver/etsi_tr/133900_133999/133937/10.00.00_60/ |
| TTC | TR-3GA-33.937(Rel10)v10.0.0 | 10.0.0 | Approved | Jun 11 | http://www.ttc.or.jp/j/document_list/free/3gpps2011/TR/TR-3GA-33.937(Rel10)v10.0.0.pdf |
| Release 11 | | | | | |
| CCSA | CCSA-TSD-TDD-33.937 | 11.0.0 | Published | Jun 14 | http://www.ccsa.org.cn/english/tc/files.php?docpath=/ITU-R/M.1457/M.1457-12/TDD |
| ETSI | ETSI TR 133 937 | 11.0.0 | Published | Nov 12 | http://www.etsi.org/deliver/etsi_tr/133900_133999/133937/11.00.00_60/ |
| TTC | TR-3GA-33.937(Rel11)v11.0.0 | 11.0.0 | Approved | Jun 13 | http://www.ttc.or.jp/j/document_list/free/3gpps2013/TR/TR-3GA-33.937(Rel11)v11.0.0.pdf |

5.3.2.13.135 TR 33.980**Liberty Alliance and 3GPP security interworking; Interworking of Liberty Alliance Identity Federation Framework (ID-FF), Identity Web Services Framework (ID-WSF) and Generic Authentication Architecture (GAA)**

This document provides guidelines on the interworking of the Generic Authentication Architecture (GAA) and the Liberty Alliance architecture. The document studies the details of possible interworking methods between the Security Assertion Markup Language v2.0, SAML v2.0 (or alternatively the Liberty Alliance Identity Federation Framework, ID-FF), the Identity Web Services Framework (ID-WSF), the Security Assertion Markup Language (SAML) and a component of GAA called the Generic Bootstrapping Architecture (GBA). This document only applies if Liberty Alliance and GBA or SAML v2.0 and GBA are used in combination.

| SDO (2) | Document No. | Version | Status | Issued date | Location (1) |
|-------------------|---------------------|---------|-----------|-------------|---|
| Release 7 | | | | | |
| ARIB | ARIB TR-T12-33.980 | 7.6.0 | Approved | Jul 13 | http://www.arib.or.jp/english/html/overview/doc/STD-T63v10_00/3_T12/ARIB-TR-T12/Rel7/33/A33980-760.pdf |
| CCSA | CCSA-TSD-TDD-33.980 | 7.6.0 | Published | Jun 12 | http://www.ccsa.org.cn/english/tc/files.php?docpath=/ITU-R/M.1457/M.1457-12/TDD |
| ETSI | ETSI TR 133 980 | 7.6.0 | Published | Oct 07 | http://www.etsi.org/deliver/etsi_tr/133900_133999/133980/07.06.00_60/ |
| Release 8 | | | | | |
| ARIB | ARIB TR-T12-33.980 | 8.0.0 | Approved | Jul 13 | http://www.arib.or.jp/english/html/overview/doc/STD-T63v10_00/3_T12/ARIB-TR-T12/Rel8/33/A33980-800.pdf |
| CCSA | CCSA-TSD-TDD-33.980 | 8.0.0 | Published | Jun 12 | http://www.ccsa.org.cn/english/tc/files.php?docpath=/ITU-R/M.1457/M.1457-12/TDD |
| ETSI | ETSI TR 133 980 | 8.0.0 | Published | Feb 09 | http://www.etsi.org/deliver/etsi_tr/133900_133999/133980/08.00.00_60/ |
| Release 9 | | | | | |
| ARIB | ARIB TR-T12-33.980 | 9.0.0 | Approved | Jul 13 | http://www.arib.or.jp/english/html/overview/doc/STD-T63v10_00/3_T12/ARIB-TR-T12/Rel9/33/A33980-900.pdf |
| CCSA | CCSA-TSD-TDD-33.980 | 9.0.0 | Published | Jun 12 | http://www.ccsa.org.cn/english/tc/files.php?docpath=/ITU-R/M.1457/M.1457-12/TDD |
| ETSI | ETSI TR 133 980 | 9.0.0 | Published | Jan 10 | http://www.etsi.org/deliver/etsi_tr/133900_133999/133980/09.00.00_60/ |
| Release 10 | | | | | |
| ARIB | ARIB TR-T12-33.980 | 10.0.0 | Approved | Jul 13 | http://www.arib.or.jp/english/html/overview/doc/STD-T63v10_00/3_T12/ARIB-TR-T12/Rel10/33/A33980-a00.pdf |
| CCSA | CCSA-TSD-TDD-33.980 | 10.0.0 | Published | Jun 12 | http://www.ccsa.org.cn/english/tc/files.php?docpath=/ITU-R/M.1457/M.1457-12/TDD |
| ETSI | ETSI TR 133 980 | 10.0.0 | Published | Apr 11 | http://www.etsi.org/deliver/etsi_tr/133900_133999/133980/10.00.00_60/ |
| Release 11 | | | | | |
| ARIB | ARIB TR-T12-33.980 | 11.0.0 | Approved | Jul 13 | http://www.arib.or.jp/english/html/overview/doc/STD-T63v10_00/3_T12/ARIB-TR-T12/Rel11/33/A33980-b00.pdf |
| CCSA | CCSA-TSD-TDD-33.980 | 11.1.0 | Published | Jun 14 | http://www.ccsa.org.cn/english/tc/files.php?docpath=/ITU-R/M.1457/M.1457-12/TDD |
| ETSI | ETSI TR 133 980 | 11.0.0 | Published | Nov 12 | http://www.etsi.org/deliver/etsi_tr/133900_133999/133980/11.00.00_60/ |

5.3.2.13.136 TS 35.201**3G Security; Specification of the 3GPP confidentiality and integrity algorithms; Document 1: f8 and f9 specification**

This specification gives a detailed specification of the 3GPP confidentiality algorithm f8, and the 3GPP integrity algorithm f9.

| SDO (2) | Document No. | Version | Status | Issued date | Location (1) |
|-------------------|---------------------|---------|-----------|-------------|---|
| Release 99 | | | | | |
| ARIB | ARIB STD-T63-35.201 | 3.2.0 | Approved | Jul 13 | http://www.arib.or.jp/english/html/overview/doc/STD-T63v10_00/2_T63/ARIB-STD-T63/R99/35/A35201-320.pdf |
| CCSA | CCSA-TSD-TDD-35.201 | 3.2.0 | Published | Jun 12 | http://www.ccsa.org.cn/english/tc/files.php?docpath=/ITU-R/M.1457/M.1457-12/TDD |

| | | | | | |
|-------------------|---------------------|--------|-----------|--------|---|
| ETSI | ETSI TS 135 201 | 3.2.0 | Published | Jan 02 | http://www.etsi.org/deliver/etsi_ts/135200_135299/135201/03.02.00_60/ |
| Release 4 | | | | | |
| ARIB | ARIB STD-T63-35.201 | 4.1.0 | Approved | Jul 13 | http://www.arib.or.jp/english/html/overview/doc/STD-T63v10_00/2_T63/ARIB-STD-T63/Rel4/35/A35201-410.pdf |
| CCSA | CCSA-TSD-TDD-35.201 | 4.1.0 | Published | Jun 12 | http://www.ccsa.org.cn/english/tc/files.php?docpath=/ITU-R/M.1457/M.1457-12/TDD |
| ETSI | ETSI TS 135 201 | 4.1.0 | Published | Jan 02 | http://www.etsi.org/deliver/etsi_ts/135200_135299/135201/04.01.00_60/ |
| Release 5 | | | | | |
| ARIB | ARIB STD-T63-35.201 | 5.0.0 | Approved | Jul 13 | http://www.arib.or.jp/english/html/overview/doc/STD-T63v10_00/2_T63/ARIB-STD-T63/Rel5/35/A35201-500.pdf |
| CCSA | CCSA-TSD-TDD-35.201 | 5.0.0 | Published | Jun 12 | http://www.ccsa.org.cn/english/tc/files.php?docpath=/ITU-R/M.1457/M.1457-12/TDD |
| ETSI | ETSI TS 135 201 | 5.0.0 | Published | Jun 02 | http://www.etsi.org/deliver/etsi_ts/135200_135299/135201/05.00.00_60/ |
| Release 6 | | | | | |
| ARIB | ARIB STD-T63-35.201 | 6.1.0 | Approved | Jul 13 | http://www.arib.or.jp/english/html/overview/doc/STD-T63v10_00/2_T63/ARIB-STD-T63/Rel6/35/A35201-610.pdf |
| CCSA | CCSA-TSD-TDD-35.201 | 6.1.0 | Published | Jun 12 | http://www.ccsa.org.cn/english/tc/files.php?docpath=/ITU-R/M.1457/M.1457-12/TDD |
| ETSI | ETSI TS 135 201 | 6.1.0 | Published | Oct 05 | http://www.etsi.org/deliver/etsi_ts/135200_135299/135201/06.01.00_60/ |
| Release 7 | | | | | |
| ARIB | ARIB STD-T63-35.201 | 7.0.0 | Approved | Jul 13 | http://www.arib.or.jp/english/html/overview/doc/STD-T63v10_00/2_T63/ARIB-STD-T63/Rel7/35/A35201-700.pdf |
| CCSA | CCSA-TSD-TDD-35.201 | 7.0.0 | Published | Jun 12 | http://www.ccsa.org.cn/english/tc/files.php?docpath=/ITU-R/M.1457/M.1457-12/TDD |
| ETSI | ETSI TS 135 201 | 7.0.0 | Published | Jun 07 | http://www.etsi.org/deliver/etsi_ts/135200_135299/135201/07.00.00_60/ |
| Release 8 | | | | | |
| ARIB | ARIB STD-T63-35.201 | 8.0.0 | Approved | Jul 13 | http://www.arib.or.jp/english/html/overview/doc/STD-T63v10_00/2_T63/ARIB-STD-T63/Rel8/35/A35201-800.pdf |
| CCSA | CCSA-TSD-TDD-35.201 | 8.0.0 | Published | Jun 12 | http://www.ccsa.org.cn/english/tc/files.php?docpath=/ITU-R/M.1457/M.1457-12/TDD |
| ETSI | ETSI TS 135 201 | 8.0.0 | Published | Feb 09 | http://www.etsi.org/deliver/etsi_ts/135200_135299/135201/08.00.00_60/ |
| Release 9 | | | | | |
| ARIB | ARIB STD-T63-35.201 | 9.0.0 | Approved | Jul 13 | http://www.arib.or.jp/english/html/overview/doc/STD-T63v10_00/2_T63/ARIB-STD-T63/Rel9/35/A35201-900.pdf |
| CCSA | CCSA-TSD-TDD-35.201 | 9.0.0 | Published | Jun 12 | http://www.ccsa.org.cn/english/tc/files.php?docpath=/ITU-R/M.1457/M.1457-12/TDD |
| ETSI | ETSI TS 135 201 | 9.0.0 | Published | Feb 10 | http://www.etsi.org/deliver/etsi_ts/135200_135299/135201/09.00.00_60/ |
| Release 10 | | | | | |
| ARIB | ARIB STD-T63-35.201 | 10.0.0 | Approved | Jul 13 | http://www.arib.or.jp/english/html/overview/doc/STD-T63v10_00/2_T63/ARIB-STD-T63/Rel10/35/A35201-a00.pdf |
| CCSA | CCSA-TSD-TDD-35.201 | 10.0.0 | Published | Jun 12 | http://www.ccsa.org.cn/english/tc/files.php?docpath=/ITU-R/M.1457/M.1457-12/TDD |
| ETSI | ETSI TS 135 201 | 10.0.0 | Published | Apr 11 | http://www.etsi.org/deliver/etsi_ts/135200_135299/135201/10.00.00_60/ |
| Release 11 | | | | | |
| ARIB | ARIB STD-T63-35.201 | 11.0.0 | Approved | Jul 13 | http://www.arib.or.jp/english/html/overview/doc/STD-T63v10_00/2_T63/ARIB-STD-T63/Rel11/35/A35201-b00.pdf |
| CCSA | CCSA-TSD-TDD-35.201 | 11.0.0 | Published | Jun 14 | http://www.ccsa.org.cn/english/tc/files.php?docpath=/ITU-R/M.1457/M.1457-12/TDD |
| ETSI | ETSI TS 135 201 | 11.0.0 | Published | Nov 12 | http://www.etsi.org/deliver/etsi_ts/135200_135299/135201/11.00.00_60/ |

5.3.2.13.137 TS 35.202

3G Security; Specification of the 3GPP confidentiality and integrity algorithms; Document 2: Kasumi specification

This specification gives a detailed specification of the 3GPP Algorithm KASUMI. KASUMI is a block cipher that forms the heart of the 3GPP confidentiality algorithm f8, and the 3GPP integrity algorithm f9.

| SDO (2) | Document No. | Version | Status | Issued date | Location (1) |
|-------------------|--------------|---------|--------|-------------|--------------|
| Release 99 | | | | | |

| | | | | | |
|-------------------|---------------------|--------|-----------|--------|---|
| ARIB | ARIB STD-T63-35.202 | 3.1.2 | Approved | Jul 13 | http://www.arib.or.jp/english/html/overview/doc/STD-T63v10_00/2_T63/ARIB-STD-T63/R99/35/A35202-312.pdf |
| CCSA | CCSA-TSD-TDD-35.202 | 3.1.2 | Published | Jun 12 | http://www.ccsa.org.cn/english/tc/files.php?docpath=/ITU-R/M.1457/M.1457-12/TDD |
| ETSI | ETSI TS 135 202 | 3.1.2 | Published | Aug 01 | http://www.etsi.org/deliver/etsi_ts/135200_135299/135202/03.01.02_60/ |
| Release 4 | | | | | |
| ARIB | ARIB STD-T63-35.202 | 4.0.0 | Approved | Jul 13 | http://www.arib.or.jp/english/html/overview/doc/STD-T63v10_00/2_T63/ARIB-STD-T63/Rel4/35/A35202-400.pdf |
| CCSA | CCSA-TSD-TDD-35.202 | 4.0.0 | Published | Jun 12 | http://www.ccsa.org.cn/english/tc/files.php?docpath=/ITU-R/M.1457/M.1457-12/TDD |
| ETSI | ETSI TS 135 202 | 4.0.0 | Published | Aug 01 | http://www.etsi.org/deliver/etsi_ts/135200_135299/135202/04.00.00_60/ |
| Release 5 | | | | | |
| ARIB | ARIB STD-T63-35.202 | 5.0.0 | Approved | Jul 13 | http://www.arib.or.jp/english/html/overview/doc/STD-T63v10_00/2_T63/ARIB-STD-T63/Rel5/35/A35202-500.pdf |
| CCSA | CCSA-TSD-TDD-35.202 | 5.0.0 | Published | Jun 12 | http://www.ccsa.org.cn/english/tc/files.php?docpath=/ITU-R/M.1457/M.1457-12/TDD |
| ETSI | ETSI TS 135 202 | 5.0.0 | Published | Jun 02 | http://www.etsi.org/deliver/etsi_ts/135200_135299/135202/05.00.00_60/ |
| Release 6 | | | | | |
| ARIB | ARIB STD-T63-35.202 | 6.1.0 | Approved | Jul 13 | http://www.arib.or.jp/english/html/overview/doc/STD-T63v10_00/2_T63/ARIB-STD-T63/Rel6/35/A35202-610.pdf |
| CCSA | CCSA-TSD-TDD-35.202 | 6.1.0 | Published | Jun 12 | http://www.ccsa.org.cn/english/tc/files.php?docpath=/ITU-R/M.1457/M.1457-12/TDD |
| ETSI | ETSI TS 135 202 | 6.1.0 | Published | Oct 05 | http://www.etsi.org/deliver/etsi_ts/135200_135299/135202/06.01.00_60/ |
| Release 7 | | | | | |
| ARIB | ARIB STD-T63-35.202 | 7.0.0 | Approved | Jul 13 | http://www.arib.or.jp/english/html/overview/doc/STD-T63v10_00/2_T63/ARIB-STD-T63/Rel7/35/A35202-700.pdf |
| CCSA | CCSA-TSD-TDD-35.202 | 7.0.0 | Published | Jun 12 | http://www.ccsa.org.cn/english/tc/files.php?docpath=/ITU-R/M.1457/M.1457-12/TDD |
| ETSI | ETSI TS 135 202 | 7.0.0 | Published | Jun 07 | http://www.etsi.org/deliver/etsi_ts/135200_135299/135202/07.00.00_60/ |
| Release 8 | | | | | |
| ARIB | ARIB STD-T63-35.202 | 8.0.0 | Approved | Jul 13 | http://www.arib.or.jp/english/html/overview/doc/STD-T63v10_00/2_T63/ARIB-STD-T63/Rel8/35/A35202-800.pdf |
| CCSA | CCSA-TSD-TDD-35.202 | 8.0.0 | Published | Jun 12 | http://www.ccsa.org.cn/english/tc/files.php?docpath=/ITU-R/M.1457/M.1457-12/TDD |
| ETSI | ETSI TS 135 202 | 8.0.0 | Published | Feb 09 | http://www.etsi.org/deliver/etsi_ts/135200_135299/135202/08.00.00_60/ |
| Release 9 | | | | | |
| ARIB | ARIB STD-T63-35.202 | 9.0.0 | Approved | Jul 13 | http://www.arib.or.jp/english/html/overview/doc/STD-T63v10_00/2_T63/ARIB-STD-T63/Rel9/35/A35202-900.pdf |
| CCSA | CCSA-TSD-TDD-35.202 | 9.0.0 | Published | Jun 12 | http://www.ccsa.org.cn/english/tc/files.php?docpath=/ITU-R/M.1457/M.1457-12/TDD |
| ETSI | ETSI TS 135 202 | 9.0.0 | Published | Feb 10 | http://www.etsi.org/deliver/etsi_ts/135200_135299/135202/09.00.00_60/ |
| Release 10 | | | | | |
| ARIB | ARIB STD-T63-35.202 | 10.0.0 | Approved | Jul 13 | http://www.arib.or.jp/english/html/overview/doc/STD-T63v10_00/2_T63/ARIB-STD-T63/Rel10/35/A35202-a00.pdf |
| CCSA | CCSA-TSD-TDD-35.202 | 10.0.0 | Published | Jun 12 | http://www.ccsa.org.cn/english/tc/files.php?docpath=/ITU-R/M.1457/M.1457-12/TDD |
| ETSI | ETSI TS 135 202 | 10.0.0 | Published | Apr 11 | http://www.etsi.org/deliver/etsi_ts/135200_135299/135202/10.00.00_60/ |
| Release 11 | | | | | |
| ARIB | ARIB STD-T63-35.202 | 11.0.0 | Approved | Jul 13 | http://www.arib.or.jp/english/html/overview/doc/STD-T63v10_00/2_T63/ARIB-STD-T63/Rel11/35/A35202-b00.pdf |
| CCSA | CCSA-TSD-TDD-35.202 | 11.0.0 | Published | Jun 14 | http://www.ccsa.org.cn/english/tc/files.php?docpath=/ITU-R/M.1457/M.1457-12/TDD |
| ETSI | ETSI TS 135 202 | 11.0.0 | Published | Nov 12 | http://www.etsi.org/deliver/etsi_ts/135200_135299/135202/11.00.00_60/ |

5.3.2.13.138 TS 35.203

3G Security; Specification of the 3GPP confidentiality and integrity algorithms; Document 3: Implementors' test data

This specification gives detailed test data for implementors of the algorithm set. It provides visibility of the internal state of the algorithm to aid in the realization of the algorithms.

| SDO (2) | Document No. | Version | Status | Issued date | Location (1) |
|---------|--------------|---------|--------|-------------|--------------|
|---------|--------------|---------|--------|-------------|--------------|

Release 99

| | | | | | |
|------|---------------------|-------|-----------|--------|---|
| ARIB | ARIB STD-T63-35.203 | 3.1.2 | Approved | Jul 13 | http://www.arib.or.jp/english/html/overview/doc/STD-T63v10_00/2_T63/ARIB-STD-T63/R99/35/A35203-312.pdf |
| CCSA | CCSA-TSD-TDD-35.203 | 3.1.2 | Published | Jun 12 | http://www.ccsa.org.cn/english/tc/files.php?docpath=/ITU-R/M.1457/M.1457-12/TDD |
| ETSI | ETSI TS 135 203 | 3.1.2 | Published | Aug 01 | http://www.etsi.org/deliver/etsi_ts/135200_135299/135203/03.01.02_60/ |

Release 4

| | | | | | |
|------|---------------------|-------|-----------|--------|---|
| ARIB | ARIB STD-T63-35.203 | 4.0.0 | Approved | Jul 13 | http://www.arib.or.jp/english/html/overview/doc/STD-T63v10_00/2_T63/ARIB-STD-T63/Rel4/35/A35203-400.pdf |
| CCSA | CCSA-TSD-TDD-35.203 | 4.0.0 | Published | Jun 12 | http://www.ccsa.org.cn/english/tc/files.php?docpath=/ITU-R/M.1457/M.1457-12/TDD |
| ETSI | ETSI TS 135 203 | 4.0.0 | Published | Aug 01 | http://www.etsi.org/deliver/etsi_ts/135200_135299/135203/04.00.00_60/ |

Release 5

| | | | | | |
|------|---------------------|-------|-----------|--------|---|
| ARIB | ARIB STD-T63-35.203 | 5.0.0 | Approved | Jul 13 | http://www.arib.or.jp/english/html/overview/doc/STD-T63v10_00/2_T63/ARIB-STD-T63/Rel5/35/A35203-500.pdf |
| CCSA | CCSA-TSD-TDD-35.203 | 5.0.0 | Published | Jun 12 | http://www.ccsa.org.cn/english/tc/files.php?docpath=/ITU-R/M.1457/M.1457-12/TDD |
| ETSI | ETSI TS 135 203 | 5.0.0 | Published | Jun 02 | http://www.etsi.org/deliver/etsi_ts/135200_135299/135203/05.00.00_60/ |

Release 6

| | | | | | |
|------|---------------------|-------|-----------|--------|---|
| ARIB | ARIB STD-T63-35.203 | 6.0.0 | Approved | Jul 13 | http://www.arib.or.jp/english/html/overview/doc/STD-T63v10_00/2_T63/ARIB-STD-T63/Rel6/35/A35203-600.pdf |
| CCSA | CCSA-TSD-TDD-35.203 | 6.0.0 | Published | Jun 12 | http://www.ccsa.org.cn/english/tc/files.php?docpath=/ITU-R/M.1457/M.1457-12/TDD |
| ETSI | ETSI TS 135 203 | 6.0.0 | Published | Jan 05 | http://www.etsi.org/deliver/etsi_ts/135200_135299/135203/06.00.00_60/ |

Release 7

| | | | | | |
|------|---------------------|-------|-----------|--------|---|
| ARIB | ARIB STD-T63-35.203 | 7.0.0 | Approved | Jul 13 | http://www.arib.or.jp/english/html/overview/doc/STD-T63v10_00/2_T63/ARIB-STD-T63/Rel7/35/A35203-700.pdf |
| CCSA | CCSA-TSD-TDD-35.203 | 7.0.0 | Published | Jun 12 | http://www.ccsa.org.cn/english/tc/files.php?docpath=/ITU-R/M.1457/M.1457-12/TDD |
| ETSI | ETSI TS 135 203 | 7.0.0 | Published | Jun 07 | http://www.etsi.org/deliver/etsi_ts/135200_135299/135203/07.00.00_60/ |

Release 8

| | | | | | |
|------|---------------------|-------|-----------|--------|---|
| ARIB | ARIB STD-T63-35.203 | 8.0.0 | Approved | Jul 13 | http://www.arib.or.jp/english/html/overview/doc/STD-T63v10_00/2_T63/ARIB-STD-T63/Rel8/35/A35203-800.pdf |
| CCSA | CCSA-TSD-TDD-35.203 | 8.0.0 | Published | Jun 12 | http://www.ccsa.org.cn/english/tc/files.php?docpath=/ITU-R/M.1457/M.1457-12/TDD |
| ETSI | ETSI TS 135 203 | 8.0.0 | Published | Feb 09 | http://www.etsi.org/deliver/etsi_ts/135200_135299/135203/08.00.00_60/ |

Release 9

| | | | | | |
|------|---------------------|-------|-----------|--------|---|
| ARIB | ARIB STD-T63-35.203 | 9.0.0 | Approved | Jul 13 | http://www.arib.or.jp/english/html/overview/doc/STD-T63v10_00/2_T63/ARIB-STD-T63/Rel9/35/A35203-900.pdf |
| CCSA | CCSA-TSD-TDD-35.203 | 9.0.0 | Published | Jun 12 | http://www.ccsa.org.cn/english/tc/files.php?docpath=/ITU-R/M.1457/M.1457-12/TDD |
| ETSI | ETSI TS 135 203 | 9.0.0 | Published | Feb 10 | http://www.etsi.org/deliver/etsi_ts/135200_135299/135203/09.00.00_60/ |

Release 10

| | | | | | |
|------|---------------------|--------|-----------|--------|---|
| ARIB | ARIB STD-T63-35.203 | 10.0.0 | Approved | Jul 13 | http://www.arib.or.jp/english/html/overview/doc/STD-T63v10_00/2_T63/ARIB-STD-T63/Rel10/35/A35203-a00.pdf |
| CCSA | CCSA-TSD-TDD-35.203 | 10.0.0 | Published | Jun 12 | http://www.ccsa.org.cn/english/tc/files.php?docpath=/ITU-R/M.1457/M.1457-12/TDD |
| ETSI | ETSI TS 135 203 | 10.0.0 | Published | Apr 11 | http://www.etsi.org/deliver/etsi_ts/135200_135299/135203/10.00.00_60/ |

Release 11

| | | | | | |
|------|---------------------|--------|-----------|--------|---|
| ARIB | ARIB STD-T63-35.203 | 11.0.0 | Approved | Jul 13 | http://www.arib.or.jp/english/html/overview/doc/STD-T63v10_00/2_T63/ARIB-STD-T63/Rel11/35/A35203-b00.pdf |
| CCSA | CCSA-TSD-TDD-35.203 | 11.0.0 | Published | Jun 14 | http://www.ccsa.org.cn/english/tc/files.php?docpath=/ITU-R/M.1457/M.1457-12/TDD |
| ETSI | ETSI TS 135 203 | 11.0.0 | Published | Nov 12 | http://www.etsi.org/deliver/etsi_ts/135200_135299/135203/11.00.00_60/ |

5.3.2.13.139 TS 35.204**3G Security; Specification of the 3GPP confidentiality and integrity algorithms; Document 4: Design conformance test data**

This specification gives black-box test data for the algorithm set. The test data has been selected to give a high degree of confidence that the implementation is correct. However, no claim is made that conformance with this test data guarantees a correct implementation.

| SDO (2) | Document No. | Version | Status | Issued date | Location (1) |
|-------------------|---------------------|---------|-----------|-------------|---|
| Release 99 | | | | | |
| ARIB | ARIB STD-T63-35.204 | 3.1.2 | Approved | Jul 13 | http://www.arib.or.jp/english/html/overview/doc/STD-T63v10_00/2_T63/ARIB-STD-T63/R99/35/A35204-312.pdf |
| CCSA | CCSA-TSD-TDD-35.204 | 3.1.2 | Published | Jun 12 | http://www.ccsa.org.cn/english/tc/files.php?docpath=/ITU-R/M.1457/M.1457-12/TDD |
| ETSI | ETSI TS 135 204 | 3.1.2 | Published | Aug 01 | http://www.etsi.org/deliver/etsi_ts/135200_135299/135204/03.01.02_60/ |
| Release 4 | | | | | |
| ARIB | ARIB STD-T63-35.204 | 4.0.0 | Approved | Jul 13 | http://www.arib.or.jp/english/html/overview/doc/STD-T63v10_00/2_T63/ARIB-STD-T63/Rel4/35/A35204-400.pdf |
| CCSA | CCSA-TSD-TDD-35.204 | 4.0.0 | Published | Jun 12 | http://www.ccsa.org.cn/english/tc/files.php?docpath=/ITU-R/M.1457/M.1457-12/TDD |
| ETSI | ETSI TS 135 204 | 4.0.0 | Published | Aug 01 | http://www.etsi.org/deliver/etsi_ts/135200_135299/135204/04.00.00_60/ |
| Release 5 | | | | | |
| ARIB | ARIB STD-T63-35.204 | 5.0.0 | Approved | Jul 13 | http://www.arib.or.jp/english/html/overview/doc/STD-T63v10_00/2_T63/ARIB-STD-T63/Rel5/35/A35204-500.pdf |
| CCSA | CCSA-TSD-TDD-35.204 | 5.0.0 | Published | Jun 12 | http://www.ccsa.org.cn/english/tc/files.php?docpath=/ITU-R/M.1457/M.1457-12/TDD |
| ETSI | ETSI TS 135 204 | 5.0.0 | Published | Jun 02 | http://www.etsi.org/deliver/etsi_ts/135200_135299/135204/05.00.00_60/ |
| Release 6 | | | | | |
| ARIB | ARIB STD-T63-35.204 | 6.0.0 | Approved | Jul 13 | http://www.arib.or.jp/english/html/overview/doc/STD-T63v10_00/2_T63/ARIB-STD-T63/Rel6/35/A35204-600.pdf |
| CCSA | CCSA-TSD-TDD-35.204 | 6.0.0 | Published | Jun 12 | http://www.ccsa.org.cn/english/tc/files.php?docpath=/ITU-R/M.1457/M.1457-12/TDD |
| ETSI | ETSI TS 135 204 | 6.0.0 | Published | Jan 05 | http://www.etsi.org/deliver/etsi_ts/135200_135299/135204/06.00.00_60/ |
| Release 7 | | | | | |
| ARIB | ARIB STD-T63-35.204 | 7.0.0 | Approved | Jul 13 | http://www.arib.or.jp/english/html/overview/doc/STD-T63v10_00/2_T63/ARIB-STD-T63/Rel7/35/A35204-700.pdf |
| CCSA | CCSA-TSD-TDD-35.204 | 7.0.0 | Published | Jun 12 | http://www.ccsa.org.cn/english/tc/files.php?docpath=/ITU-R/M.1457/M.1457-12/TDD |
| ETSI | ETSI TS 135 204 | 7.0.0 | Published | Jun 07 | http://www.etsi.org/deliver/etsi_ts/135200_135299/135204/07.00.00_60/ |
| Release 8 | | | | | |
| ARIB | ARIB STD-T63-35.204 | 8.0.0 | Approved | Jul 13 | http://www.arib.or.jp/english/html/overview/doc/STD-T63v10_00/2_T63/ARIB-STD-T63/Rel8/35/A35204-800.pdf |
| CCSA | CCSA-TSD-TDD-35.204 | 8.0.0 | Published | Jun 12 | http://www.ccsa.org.cn/english/tc/files.php?docpath=/ITU-R/M.1457/M.1457-12/TDD |
| ETSI | ETSI TS 135 204 | 8.0.0 | Published | Feb 09 | http://www.etsi.org/deliver/etsi_ts/135200_135299/135204/08.00.00_60/ |
| Release 9 | | | | | |
| ARIB | ARIB STD-T63-35.204 | 9.0.0 | Approved | Jul 13 | http://www.arib.or.jp/english/html/overview/doc/STD-T63v10_00/2_T63/ARIB-STD-T63/Rel9/35/A35204-900.pdf |
| CCSA | CCSA-TSD-TDD-35.204 | 9.0.0 | Published | Jun 12 | http://www.ccsa.org.cn/english/tc/files.php?docpath=/ITU-R/M.1457/M.1457-12/TDD |
| ETSI | ETSI TS 135 204 | 9.0.0 | Published | Feb 10 | http://www.etsi.org/deliver/etsi_ts/135200_135299/135204/09.00.00_60/ |
| Release 10 | | | | | |
| ARIB | ARIB STD-T63-35.204 | 10.0.0 | Approved | Jul 13 | http://www.arib.or.jp/english/html/overview/doc/STD-T63v10_00/2_T63/ARIB-STD-T63/Rel10/35/A35204-a00.pdf |
| CCSA | CCSA-TSD-TDD-35.204 | 10.0.0 | Published | Jun 12 | http://www.ccsa.org.cn/english/tc/files.php?docpath=/ITU-R/M.1457/M.1457-12/TDD |
| ETSI | ETSI TS 135 204 | 10.0.0 | Published | Apr 11 | http://www.etsi.org/deliver/etsi_ts/135200_135299/135204/10.00.00_60/ |
| Release 11 | | | | | |
| ARIB | ARIB STD-T63-35.204 | 11.0.0 | Approved | Jul 13 | http://www.arib.or.jp/english/html/overview/doc/STD-T63v10_00/2_T63/ARIB-STD-T63/Rel11/35/A35204-b00.pdf |
| CCSA | CCSA-TSD-TDD-35.204 | 11.0.0 | Published | Jun 14 | http://www.ccsa.org.cn/english/tc/files.php?docpath=/ITU-R/M.1457/M.1457-12/TDD |
| ETSI | ETSI TS 135 204 | 11.0.0 | Published | Nov 12 | http://www.etsi.org/deliver/etsi_ts/135200_135299/135204/11.00.00_60/ |

5.3.2.13.140 TS 35.205

3G Security; Specification of the MILENAGE algorithm set: An example algorithm set for the 3GPP authentication and key generation functions f1, f1*, f2, f3, f4, f5 and f5*; Document 1: General

This Report is a description of the work undertaken by an ETSI SAGE Task Force on the design of the Milenage Algorithm Set: an example set of 3GPP Authentication and Key Generation Functions.

The 3GPP Authentication and Key Generation Functions are not standardized. An example set of these algorithms has been produced on request from 3GPP with the intent that it shall be offered to the UMTS operators, to utilize instead of developing their own. An ETSI SAGE Task Force has carried out this work.

The requirement specification from 3GPP SA3 stated that operator personalization of the example set must be possible and that the basic kernel must be possible to replace.

The example set is based on the block cipher Rijndael, which at the time was one of the AES candidates and the specification describes how the 7 algorithms used in 3GPP authentication and key generation are scheduled around this basic kernel. The specification and associated test data for the example algorithm set is documented in three documents:

- A formal specification of both the modes and the example kernel;
- A detailed test data document, covering modes and the example kernel;
- A “black box” test data document.

A detailed summary of the evaluation is provided in a public evaluation report, ETSI SAGE 3GPP AF TF: “Report on the design and evaluation of 3GPP Authentication and Key Generation Functions”. This report gives an overview of the overall work by the task force.

| SDO (2) | Document No. | Version | Status | Issued date | Location (1) |
|------------------|---------------------|---------|-----------|-------------|---|
| Release 4 | | | | | |
| CCSA | CCSA-TSD-TDD-35.205 | 4.0.0 | Published | Jun 12 | http://www.ccsa.org.cn/english/tc/files.php?docpath=/ITU-R/M.1457/M.1457-12/TDD |
| ETSI | ETSI TS 135 205 | 4.0.0 | Published | May 01 | http://www.etsi.org/deliver/etsi_ts/135200_135299/135205/04.00.00_60/ |
| Release 5 | | | | | |
| CCSA | CCSA-TSD-TDD-35.205 | 5.0.0 | Published | Jun 12 | http://www.ccsa.org.cn/english/tc/files.php?docpath=/ITU-R/M.1457/M.1457-12/TDD |
| ETSI | ETSI TS 135 205 | 5.0.0 | Published | Jun 02 | http://www.etsi.org/deliver/etsi_ts/135200_135299/135205/05.00.00_60/ |
| Release 6 | | | | | |
| CCSA | CCSA-TSD-TDD-35.205 | 6.0.0 | Published | Jun 12 | http://www.ccsa.org.cn/english/tc/files.php?docpath=/ITU-R/M.1457/M.1457-12/TDD |
| ETSI | ETSI TS 135 205 | 6.0.0 | Published | Jan 05 | http://www.etsi.org/deliver/etsi_ts/135200_135299/135205/06.00.00_60/ |
| Release 7 | | | | | |
| CCSA | CCSA-TSD-TDD-35.205 | 7.0.0 | Published | Jun 12 | http://www.ccsa.org.cn/english/tc/files.php?docpath=/ITU-R/M.1457/M.1457-12/TDD |
| ETSI | ETSI TS 135 205 | 7.0.0 | Published | Jun 07 | http://www.etsi.org/deliver/etsi_ts/135200_135299/135205/07.00.00_60/ |
| Release 8 | | | | | |
| CCSA | CCSA-TSD-TDD-35.205 | 8.0.0 | Published | Jun 12 | http://www.ccsa.org.cn/english/tc/files.php?docpath=/ITU-R/M.1457/M.1457-12/TDD |
| ETSI | ETSI TS 135 205 | 8.0.0 | Published | Feb 09 | http://www.etsi.org/deliver/etsi_ts/135200_135299/135205/08.00.00_60/ |
| Release 9 | | | | | |
| CCSA | CCSA-TSD-TDD-35.205 | 9.0.0 | Published | Jun 12 | http://www.ccsa.org.cn/english/tc/files.php?docpath=/ITU-R/M.1457/M.1457-12/TDD |

| | | | | | |
|-------------------|---------------------|--------|-----------|--------|---|
| ETSI | ETSI TS 135 205 | 9.0.0 | Published | Feb 10 | http://www.etsi.org/deliver/etsi_ts/135200_135299/135205/09.00.00_60/ |
| Release 10 | | | | | |
| CCSA | CCSA-TSD-TDD-35.205 | 10.0.0 | Published | Jun 12 | http://www.ccsa.org.cn/english/tc/files.php?docpath=/ITU-R/M.1457/M.1457-12/TDD |
| ETSI | ETSI TS 135 205 | 10.0.0 | Published | Apr 11 | http://www.etsi.org/deliver/etsi_ts/135200_135299/135205/10.00.00_60/ |
| Release 11 | | | | | |
| CCSA | CCSA-TSD-TDD-35.205 | 11.0.0 | Published | Jun 14 | http://www.ccsa.org.cn/english/tc/files.php?docpath=/ITU-R/M.1457/M.1457-12/TDD |
| ETSI | ETSI TS 135 205 | 11.0.0 | Published | Nov 12 | http://www.etsi.org/deliver/etsi_ts/135200_135299/135205/11.00.00_60/ |

5.3.2.13.141 TS 35.206

3G Security; Specification of the MILENAGE algorithm set: An example algorithm set for the 3GPP authentication and key generation functions f1, f1*, f2, f3, f4, f5 and f5*; Document 2: Algorithm specification

This document has been prepared by the 3GPP Task Force, and contains an example set of algorithms which may be used as the authentication and key generation functions f1, f1*, f2, f3, f4, f5 and f5*. (It is not mandatory that the particular algorithms specified in this document are used – all seven functions are operator-specifiable rather than being fully standardized.)

| SDO (2) | Document No. | Version | Status | Issued date | Location (1) |
|-------------------|---------------------|---------|-----------|-------------|---|
| Release 4 | | | | | |
| CCSA | CCSA-TSD-TDD-35.206 | 4.0.0 | Published | Jun 12 | http://www.ccsa.org.cn/english/tc/files.php?docpath=/ITU-R/M.1457/M.1457-12/TDD |
| ETSI | ETSI TS 135 206 | 4.0.0 | Published | Jun 01 | http://www.etsi.org/deliver/etsi_ts/135200_135299/135206/04.00.00_60/ |
| Release 5 | | | | | |
| CCSA | CCSA-TSD-TDD-35.206 | 5.1.0 | Published | Jun 12 | http://www.ccsa.org.cn/english/tc/files.php?docpath=/ITU-R/M.1457/M.1457-12/TDD |
| ETSI | ETSI TS 135 206 | 5.1.0 | Published | Jun 03 | http://www.etsi.org/deliver/etsi_ts/135200_135299/135206/05.01.00_60/ |
| Release 6 | | | | | |
| CCSA | CCSA-TSD-TDD-35.206 | 6.0.0 | Published | Jun 12 | http://www.ccsa.org.cn/english/tc/files.php?docpath=/ITU-R/M.1457/M.1457-12/TDD |
| ETSI | ETSI TS 135 206 | 6.0.0 | Published | Jan 05 | http://www.etsi.org/deliver/etsi_ts/135200_135299/135206/06.00.00_60/ |
| Release 7 | | | | | |
| CCSA | CCSA-TSD-TDD-35.206 | 7.0.0 | Published | Jun 12 | http://www.ccsa.org.cn/english/tc/files.php?docpath=/ITU-R/M.1457/M.1457-12/TDD |
| ETSI | ETSI TS 135 206 | 7.0.0 | Published | Jun 07 | http://www.etsi.org/deliver/etsi_ts/135200_135299/135206/07.00.00_60/ |
| Release 8 | | | | | |
| CCSA | CCSA-TSD-TDD-35.206 | 8.0.0 | Published | Jun 12 | http://www.ccsa.org.cn/english/tc/files.php?docpath=/ITU-R/M.1457/M.1457-12/TDD |
| ETSI | ETSI TS 135 206 | 8.0.0 | Published | Feb 09 | http://www.etsi.org/deliver/etsi_ts/135200_135299/135206/08.00.00_60/ |
| Release 9 | | | | | |
| CCSA | CCSA-TSD-TDD-35.206 | 9.0.0 | Published | Jun 12 | http://www.ccsa.org.cn/english/tc/files.php?docpath=/ITU-R/M.1457/M.1457-12/TDD |
| ETSI | ETSI TS 135 206 | 9.0.0 | Published | Feb 10 | http://www.etsi.org/deliver/etsi_ts/135200_135299/135206/09.00.00_60/ |
| Release 10 | | | | | |
| CCSA | CCSA-TSD-TDD-35.206 | 10.0.0 | Published | Jun 12 | http://www.ccsa.org.cn/english/tc/files.php?docpath=/ITU-R/M.1457/M.1457-12/TDD |
| ETSI | ETSI TS 135 206 | 10.0.0 | Published | Apr 11 | http://www.etsi.org/deliver/etsi_ts/135200_135299/135206/10.00.00_60/ |
| Release 11 | | | | | |

| | | | | | |
|------|---------------------|--------|-----------|--------|---|
| CCSA | CCSA-TSD-TDD-35.206 | 11.0.0 | Published | Jun 14 | http://www.ccsa.org.cn/english/tc/files.php?docpath=/ITU-R/M.1457/M.1457-12/TDD |
| ETSI | ETSI TS 135 206 | 11.0.0 | Published | Nov 12 | http://www.etsi.org/deliver/etsi_ts/135200_135299/135206/11.00.00_60/ |

5.3.2.13.142 TS 35.207

3G Security; Specification of the MILENAGE algorithm set: An example algorithm set for the 3GPP authentication and key generation functions f1, f1*, f2, f3, f4, f5 and f5*; Document 3: Implementors' test data

This document has been prepared by the 3GPP Task Force, and contains an example set of algorithms which may be used as the authentication and key generation functions f1, f1*, f2, f3, f4, f5 and f5*. (It is not mandatory that the particular algorithms specified in this document are used – all seven functions are operator-specifiable rather than being fully standardized.)

| SDO (2) | Document No. | Version | Status | Issued date | Location (1) |
|-------------------|---------------------|---------|-----------|-------------|---|
| Release 4 | | | | | |
| CCSA | CCSA-TSD-TDD-35.207 | 4.0.0 | Published | Jun 12 | http://www.ccsa.org.cn/english/tc/files.php?docpath=/ITU-R/M.1457/M.1457-12/TDD |
| ETSI | ETSI TS 135 207 | 4.0.0 | Published | Jun 01 | http://www.etsi.org/deliver/etsi_ts/135200_135299/135207/04.00.00_60/ |
| Release 5 | | | | | |
| CCSA | CCSA-TSD-TDD-35.207 | 5.0.0 | Published | Jun 12 | http://www.ccsa.org.cn/english/tc/files.php?docpath=/ITU-R/M.1457/M.1457-12/TDD |
| ETSI | ETSI TS 135 207 | 5.0.0 | Published | Jun 02 | http://www.etsi.org/deliver/etsi_ts/135200_135299/135207/05.00.00_60/ |
| Release 6 | | | | | |
| CCSA | CCSA-TSD-TDD-35.207 | 6.0.0 | Published | Jun 12 | http://www.ccsa.org.cn/english/tc/files.php?docpath=/ITU-R/M.1457/M.1457-12/TDD |
| ETSI | ETSI TS 135 207 | 6.0.0 | Published | Jan 05 | http://www.etsi.org/deliver/etsi_ts/135200_135299/135207/06.00.00_60/ |
| Release 7 | | | | | |
| CCSA | CCSA-TSD-TDD-35.207 | 7.0.0 | Published | Jun 12 | http://www.ccsa.org.cn/english/tc/files.php?docpath=/ITU-R/M.1457/M.1457-12/TDD |
| ETSI | ETSI TS 135 207 | 7.0.0 | Published | Jun 07 | http://www.etsi.org/deliver/etsi_ts/135200_135299/135207/07.00.00_60/ |
| Release 8 | | | | | |
| CCSA | CCSA-TSD-TDD-35.207 | 8.0.0 | Published | Jun 12 | http://www.ccsa.org.cn/english/tc/files.php?docpath=/ITU-R/M.1457/M.1457-12/TDD |
| ETSI | ETSI TS 135 207 | 8.0.0 | Published | Feb 09 | http://www.etsi.org/deliver/etsi_ts/135200_135299/135207/08.00.00_60/ |
| Release 9 | | | | | |
| CCSA | CCSA-TSD-TDD-35.207 | 9.0.0 | Published | Jun 12 | http://www.ccsa.org.cn/english/tc/files.php?docpath=/ITU-R/M.1457/M.1457-12/TDD |
| ETSI | ETSI TS 135 207 | 9.0.0 | Published | Feb 10 | http://www.etsi.org/deliver/etsi_ts/135200_135299/135207/09.00.00_60/ |
| Release 10 | | | | | |
| CCSA | CCSA-TSD-TDD-35.207 | 10.0.0 | Published | Jun 12 | http://www.ccsa.org.cn/english/tc/files.php?docpath=/ITU-R/M.1457/M.1457-12/TDD |
| ETSI | ETSI TS 135 207 | 10.0.0 | Published | Apr 11 | http://www.etsi.org/deliver/etsi_ts/135200_135299/135207/10.00.00_60/ |
| Release 11 | | | | | |
| CCSA | CCSA-TSD-TDD-35.207 | 11.0.0 | Published | Jun 14 | http://www.ccsa.org.cn/english/tc/files.php?docpath=/ITU-R/M.1457/M.1457-12/TDD |
| ETSI | ETSI TS 135 207 | 11.0.0 | Published | Nov 12 | http://www.etsi.org/deliver/etsi_ts/135200_135299/135207/11.00.00_60/ |

5.3.2.13.143 TS 35.208

3G Security; Specification of the MILENAGE algorithm set: An example algorithm set for the 3GPP authentication and key generation functions

f1, f1*, f2, f3, f4, f5 and f5*; Document 4: Design conformance test data

This document has been prepared by the 3GPP Task Force, and contains an example set of algorithms which may be used as the authentication and key generation functions f1, f1*, f2, f3, f4, f5 and f5*. (It is not mandatory that the particular algorithms specified in this document are used – all seven functions are operator-specifiable rather than being fully standardized.)

| SDO (2) | Document No. | Version | Status | Issued date | Location (1) |
|-------------------|---------------------|---------|-----------|-------------|---|
| Release 4 | | | | | |
| CCSA | CCSA-TSD-TDD-35.208 | 4.0.0 | Published | Jun 12 | http://www.ccsa.org.cn/english/tc/files.php?docpath=/ITU-R/M.1457/M.1457-12/TDD |
| ETSI | ETSI TS 135 208 | 4.0.0 | Published | Jun 01 | http://www.etsi.org/deliver/etsi_ts/135200_135299/135208/04.00.00_60/ |
| Release 5 | | | | | |
| CCSA | CCSA-TSD-TDD-35.208 | 5.0.0 | Published | Jun 12 | http://www.ccsa.org.cn/english/tc/files.php?docpath=/ITU-R/M.1457/M.1457-12/TDD |
| ETSI | ETSI TS 135 208 | 5.0.0 | Published | Jun 02 | http://www.etsi.org/deliver/etsi_ts/135200_135299/135208/05.00.00_60/ |
| Release 6 | | | | | |
| CCSA | CCSA-TSD-TDD-35.208 | 6.0.0 | Published | Jun 12 | http://www.ccsa.org.cn/english/tc/files.php?docpath=/ITU-R/M.1457/M.1457-12/TDD |
| ETSI | ETSI TS 135 208 | 6.0.0 | Published | Jan 05 | http://www.etsi.org/deliver/etsi_ts/135200_135299/135208/06.00.00_60/ |
| Release 7 | | | | | |
| CCSA | CCSA-TSD-TDD-35.208 | 7.0.0 | Published | Jun 12 | http://www.ccsa.org.cn/english/tc/files.php?docpath=/ITU-R/M.1457/M.1457-12/TDD |
| ETSI | ETSI TS 135 208 | 7.0.0 | Published | Jun 07 | http://www.etsi.org/deliver/etsi_ts/135200_135299/135208/07.00.00_60/ |
| Release 8 | | | | | |
| CCSA | CCSA-TSD-TDD-35.208 | 8.0.0 | Published | Jun 12 | http://www.ccsa.org.cn/english/tc/files.php?docpath=/ITU-R/M.1457/M.1457-12/TDD |
| ETSI | ETSI TS 135 208 | 8.0.0 | Published | Feb 09 | http://www.etsi.org/deliver/etsi_ts/135200_135299/135208/08.00.00_60/ |
| Release 9 | | | | | |
| CCSA | CCSA-TSD-TDD-35.208 | 9.0.0 | Published | Jun 12 | http://www.ccsa.org.cn/english/tc/files.php?docpath=/ITU-R/M.1457/M.1457-12/TDD |
| ETSI | ETSI TS 135 208 | 9.0.0 | Published | Feb 10 | http://www.etsi.org/deliver/etsi_ts/135200_135299/135208/09.00.00_60/ |
| Release 10 | | | | | |
| CCSA | CCSA-TSD-TDD-35.208 | 10.0.0 | Published | Jun 12 | http://www.ccsa.org.cn/english/tc/files.php?docpath=/ITU-R/M.1457/M.1457-12/TDD |
| ETSI | ETSI TS 135 208 | 10.0.0 | Published | Apr 11 | http://www.etsi.org/deliver/etsi_ts/135200_135299/135208/10.00.00_60/ |
| Release 11 | | | | | |
| CCSA | CCSA-TSD-TDD-35.208 | 11.0.0 | Published | Jun 14 | http://www.ccsa.org.cn/english/tc/files.php?docpath=/ITU-R/M.1457/M.1457-12/TDD |
| ETSI | ETSI TS 135 208 | 11.0.0 | Published | Nov 12 | http://www.etsi.org/deliver/etsi_ts/135200_135299/135208/11.00.00_60/ |

5.3.2.13.144 TS 35.215**Specification of the 3GPP Confidentiality and Integrity Algorithms UEA2 & UIA2; Document 1: UEA2 and UIA2 specifications**

This document specifies the 3GPP confidentiality and integrity algorithms known as UEA2 and UIA2.

| SDO (2) | Document No. | Version | Status | Issued date | Location (1) |
|------------------|---------------------|---------|-----------|-------------|---|
| Release 7 | | | | | |
| ARIB | ARIB STD-T63-35.215 | 7.0.0 | Approved | Jul 13 | http://www.arib.or.jp/english/html/overview/doc/STD-T63v10_00/2_T63/ARIB-STD-T63/Rel7/35/A35215-700.pdf |
| CCSA | CCSA-TSD-TDD-35.215 | 7.0.0 | Published | Jun 12 | http://www.ccsa.org.cn/english/tc/files.php?docpath=/ITU-R/M.1457/M.1457-12/TDD |
| ETSI | ETSI TS 135 215 | 7.0.0 | Published | Jul 07 | http://www.etsi.org/deliver/etsi_ts/135200_135299/135215/07.00.00_60/ |
| Release 8 | | | | | |

| | | | | | |
|-------------------|---------------------|--------|-----------|--------|---|
| ARIB | ARIB STD-T63-35.215 | 8.1.0 | Approved | Jul 13 | http://www.arib.or.jp/english/html/overview/doc/STD-T63v10_00/2_T63/ARIB-STD-T63/Rel8/35/A35215-810.pdf |
| CCSA | CCSA-TSD-TDD-35.215 | 8.1.0 | Published | Jun 12 | http://www.ccsa.org.cn/english/tc/files.php?docpath=/ITU-R/M.1457/M.1457-12/TDD |
| ETSI | ETSI TS 135 215 | 8.1.0 | Published | Apr 09 | http://www.etsi.org/deliver/etsi_ts/135200_135299/135215/08.01.00_60/ |
| Release 9 | | | | | |
| ARIB | ARIB STD-T63-35.215 | 9.0.0 | Approved | Jul 13 | http://www.arib.or.jp/english/html/overview/doc/STD-T63v10_00/2_T63/ARIB-STD-T63/Rel9/35/A35215-900.pdf |
| CCSA | CCSA-TSD-TDD-35.215 | 9.0.0 | Published | Jun 12 | http://www.ccsa.org.cn/english/tc/files.php?docpath=/ITU-R/M.1457/M.1457-12/TDD |
| ETSI | ETSI TS 135 215 | 9.0.0 | Published | Feb 10 | http://www.etsi.org/deliver/etsi_ts/135200_135299/135215/09.00.00_60/ |
| Release 10 | | | | | |
| ARIB | ARIB STD-T63-35.215 | 10.0.0 | Approved | Jul 13 | http://www.arib.or.jp/english/html/overview/doc/STD-T63v10_00/2_T63/ARIB-STD-T63/Rel10/35/A35215-a00.pdf |
| CCSA | CCSA-TSD-TDD-35.215 | 10.0.0 | Published | Jun 12 | http://www.ccsa.org.cn/english/tc/files.php?docpath=/ITU-R/M.1457/M.1457-12/TDD |
| ETSI | ETSI TS 135 215 | 10.0.0 | Published | Apr 11 | http://www.etsi.org/deliver/etsi_ts/135200_135299/135215/10.00.00_60/ |
| Release 11 | | | | | |
| ARIB | ARIB STD-T63-35.215 | 11.0.0 | Approved | Jul 13 | http://www.arib.or.jp/english/html/overview/doc/STD-T63v10_00/2_T63/ARIB-STD-T63/Rel11/35/A35215-b00.pdf |
| CCSA | CCSA-TSD-TDD-35.215 | 11.0.0 | Published | Jun 14 | http://www.ccsa.org.cn/english/tc/files.php?docpath=/ITU-R/M.1457/M.1457-12/TDD |
| ETSI | ETSI TS 135 215 | 11.0.0 | Published | Nov 12 | http://www.etsi.org/deliver/etsi_ts/135200_135299/135215/11.00.00_60/ |

5.3.2.13.145 TS 35.216

Specification of the 3GPP Confidentiality and Integrity Algorithms UEA2 & UIA2; Document 2: SNOW 3G specification

This document specifies the 3GPP confidentiality and integrity algorithms known as UEA2 and UIA2.

| SDO (2) | Document No. | Version | Status | Issued date | Location (1) |
|-------------------|---------------------|---------|-----------|-------------|---|
| Release 7 | | | | | |
| ARIB | ARIB STD-T63-35.216 | 7.0.0 | Approved | Jul 13 | http://www.arib.or.jp/english/html/overview/doc/STD-T63v10_00/2_T63/ARIB-STD-T63/Rel7/35/A35216-700.pdf |
| CCSA | CCSA-TSD-TDD-35.216 | 7.0.0 | Published | Jun 12 | http://www.ccsa.org.cn/english/tc/files.php?docpath=/ITU-R/M.1457/M.1457-12/TDD |
| ETSI | ETSI TS 135 216 | 7.0.0 | Published | Jul 07 | http://www.etsi.org/deliver/etsi_ts/135200_135299/135216/07.00.00_60/ |
| Release 8 | | | | | |
| ARIB | ARIB STD-T63-35.216 | 8.0.0 | Approved | Jul 13 | http://www.arib.or.jp/english/html/overview/doc/STD-T63v10_00/2_T63/ARIB-STD-T63/Rel8/35/A35216-800.pdf |
| CCSA | CCSA-TSD-TDD-35.216 | 8.0.0 | Published | Jun 12 | http://www.ccsa.org.cn/english/tc/files.php?docpath=/ITU-R/M.1457/M.1457-12/TDD |
| ETSI | ETSI TS 135 216 | 8.0.0 | Published | Feb 09 | http://www.etsi.org/deliver/etsi_ts/135200_135299/135216/08.00.00_60/ |
| Release 9 | | | | | |
| ARIB | ARIB STD-T63-35.216 | 9.1.0 | Approved | Jul 13 | http://www.arib.or.jp/english/html/overview/doc/STD-T63v10_00/2_T63/ARIB-STD-T63/Rel9/35/A35216-910.pdf |
| CCSA | CCSA-TSD-TDD-35.216 | 9.1.0 | Published | Jun 12 | http://www.ccsa.org.cn/english/tc/files.php?docpath=/ITU-R/M.1457/M.1457-12/TDD |
| ETSI | ETSI TS 135 216 | 9.1.0 | Published | Jan 11 | http://www.etsi.org/deliver/etsi_ts/135200_135299/135216/09.01.00_60/ |
| Release 10 | | | | | |
| ARIB | ARIB STD-T63-35.216 | 10.0.0 | Approved | Jul 13 | http://www.arib.or.jp/english/html/overview/doc/STD-T63v10_00/2_T63/ARIB-STD-T63/Rel10/35/A35216-a00.pdf |
| CCSA | CCSA-TSD-TDD-35.216 | 10.0.0 | Published | Jun 12 | http://www.ccsa.org.cn/english/tc/files.php?docpath=/ITU-R/M.1457/M.1457-12/TDD |
| ETSI | ETSI TS 135 216 | 10.0.0 | Published | Apr 11 | http://www.etsi.org/deliver/etsi_ts/135200_135299/135216/10.00.00_60/ |
| Release 11 | | | | | |
| ARIB | ARIB STD-T63-35.216 | 11.0.0 | Approved | Jul 13 | http://www.arib.or.jp/english/html/overview/doc/STD-T63v10_00/2_T63/ARIB-STD-T63/Rel11/35/A35216-b00.pdf |
| CCSA | CCSA-TSD-TDD-35.216 | 11.0.0 | Published | Jun 14 | http://www.ccsa.org.cn/english/tc/files.php?docpath=/ITU-R/M.1457/M.1457-12/TDD |
| ETSI | ETSI TS 135 216 | 11.0.0 | Published | Nov 12 | http://www.etsi.org/deliver/etsi_ts/135200_135299/135216/11.00.00_60/ |

5.3.2.13.146 TS 35.217**Specification of the 3GPP Confidentiality and Integrity Algorithms UEA2 & UIA2; Document 3: Implementors' test data**

This document specifies the 3GPP confidentiality and integrity algorithms known as UEA2 and UIA2.

| SDO (2) | Document No. | Version | Status | Issued date | Location (1) |
|-------------------|---------------------|---------|-----------|-------------|---|
| Release 7 | | | | | |
| ARIB | ARIB STD-T63-35.217 | 7.1.0 | Approved | Jul 13 | http://www.arib.or.jp/english/html/overview/doc/STD-T63v10_00/2_T63/ARIB-STD-T63/Rel7/35/A35217-710.pdf |
| CCSA | CCSA-TSD-TDD-35.217 | 7.0.0 | Published | Jun 12 | http://www.ccsa.org.cn/english/tc/files.php?docpath=/ITU-R/M.1457/M.1457-12/TDD |
| ETSI | ETSI TS 135 217 | 7.1.0 | Published | Feb 13 | http://www.etsi.org/deliver/etsi_ts/135200_135299/135217/07.01.00_60/ |
| Release 8 | | | | | |
| ARIB | ARIB STD-T63-35.217 | 8.1.0 | Approved | Jul 13 | http://www.arib.or.jp/english/html/overview/doc/STD-T63v10_00/2_T63/ARIB-STD-T63/Rel8/35/A35217-810.pdf |
| CCSA | CCSA-TSD-TDD-35.217 | 8.0.0 | Published | Jun 12 | http://www.ccsa.org.cn/english/tc/files.php?docpath=/ITU-R/M.1457/M.1457-12/TDD |
| ETSI | ETSI TS 135 217 | 8.1.0 | Published | Feb 13 | http://www.etsi.org/deliver/etsi_ts/135200_135299/135217/08.01.00_60/ |
| Release 9 | | | | | |
| ARIB | ARIB STD-T63-35.217 | 9.1.0 | Approved | Jul 13 | http://www.arib.or.jp/english/html/overview/doc/STD-T63v10_00/2_T63/ARIB-STD-T63/Rel9/35/A35217-910.pdf |
| CCSA | CCSA-TSD-TDD-35.217 | 9.0.0 | Published | Jun 12 | http://www.ccsa.org.cn/english/tc/files.php?docpath=/ITU-R/M.1457/M.1457-12/TDD |
| ETSI | ETSI TS 135 217 | 9.1.0 | Published | Feb 13 | http://www.etsi.org/deliver/etsi_ts/135200_135299/135217/09.01.00_60/ |
| Release 10 | | | | | |
| ARIB | ARIB STD-T63-35.217 | 10.1.0 | Approved | Jul 13 | http://www.arib.or.jp/english/html/overview/doc/STD-T63v10_00/2_T63/ARIB-STD-T63/Rel10/35/A35217-a10.pdf |
| CCSA | CCSA-TSD-TDD-35.217 | 10.0.0 | Published | Jun 12 | http://www.ccsa.org.cn/english/tc/files.php?docpath=/ITU-R/M.1457/M.1457-12/TDD |
| ETSI | ETSI TS 135 217 | 10.1.0 | Published | Feb 13 | http://www.etsi.org/deliver/etsi_ts/135200_135299/135217/10.01.00_60/ |
| Release 11 | | | | | |
| ARIB | ARIB STD-T63-35.217 | 11.1.0 | Approved | Jul 13 | http://www.arib.or.jp/english/html/overview/doc/STD-T63v10_00/2_T63/ARIB-STD-T63/Rel11/35/A35217-b10.pdf |
| CCSA | CCSA-TSD-TDD-35.217 | 11.1.0 | Published | Jun 14 | http://www.ccsa.org.cn/english/tc/files.php?docpath=/ITU-R/M.1457/M.1457-12/TDD |
| ETSI | ETSI TS 135 217 | 11.1.0 | Published | Feb 13 | http://www.etsi.org/deliver/etsi_ts/135200_135299/135217/11.01.00_60/ |

5.3.2.13.147 TS 35.218**Specification of the 3GPP Confidentiality and Integrity Algorithms UEA2 & UIA2; Document 4: Design conformance test data**

This document specifies the 3GPP confidentiality and integrity algorithms known as UEA2 and UIA2.

| SDO (2) | Document No. | Version | Status | Issued date | Location (1) |
|------------------|---------------------|---------|-----------|-------------|---|
| Release 7 | | | | | |
| ARIB | ARIB STD-T63-35.218 | 7.1.0 | Approved | Jul 13 | http://www.arib.or.jp/english/html/overview/doc/STD-T63v10_00/2_T63/ARIB-STD-T63/Rel7/35/A35218-710.pdf |
| CCSA | CCSA-TSD-TDD-35.218 | 7.0.0 | Published | Jun 12 | http://www.ccsa.org.cn/english/tc/files.php?docpath=/ITU-R/M.1457/M.1457-12/TDD |
| ETSI | ETSI TS 135 218 | 7.1.0 | Published | Feb 13 | http://www.etsi.org/deliver/etsi_ts/135200_135299/135218/07.01.00_60/ |
| Release 8 | | | | | |
| ARIB | ARIB STD-T63-35.218 | 8.1.0 | Approved | Jul 13 | http://www.arib.or.jp/english/html/overview/doc/STD-T63v10_00/2_T63/ARIB-STD-T63/Rel8/35/A35218-810.pdf |
| CCSA | CCSA-TSD-TDD-35.218 | 8.0.0 | Published | Jun 12 | http://www.ccsa.org.cn/english/tc/files.php?docpath=/ITU-R/M.1457/M.1457-12/TDD |
| ETSI | ETSI TS 135 218 | 8.1.0 | Published | Feb 13 | http://www.etsi.org/deliver/etsi_ts/135200_135299/135218/08.01.00_60/ |
| Release 9 | | | | | |
| ARIB | ARIB STD-T63-35.218 | 9.1.0 | Approved | Jul 13 | http://www.arib.or.jp/english/html/overview/doc/STD-T63v10_00/2_T63/ARIB-STD-T63/Rel9/35/A35218-910.pdf |

1060**ITU-R M.1457-12**

| | | | | | |
|-------------------|---------------------|--------|-----------|--------|---|
| CCSA | CCSA-TSD-TDD-35.218 | 9.0.0 | Published | Jun 12 | http://www.ccsa.org.cn/english/tc/files.php?docpath=/ITU-R/M.1457/M.1457-12/TDD |
| ETSI | ETSI TS 135 218 | 9.1.0 | Published | Feb 13 | http://www.etsi.org/deliver/etsi_ts/135200_135299/135218/09.01.00_60/ |
| Release 10 | | | | | |
| ARIB | ARIB STD-T63-35.218 | 10.1.0 | Approved | Jul 13 | http://www.arib.or.jp/english/html/overview/doc/STD-T63v10_00/2_T63/ARIB-STD-T63/Rel10/35/A35218-a10.pdf |
| CCSA | CCSA-TSD-TDD-35.218 | 10.0.0 | Published | Jun 12 | http://www.ccsa.org.cn/english/tc/files.php?docpath=/ITU-R/M.1457/M.1457-12/TDD |
| ETSI | ETSI TS 135 218 | 10.1.0 | Published | Feb 13 | http://www.etsi.org/deliver/etsi_ts/135200_135299/135218/10.01.00_60/ |
| Release 11 | | | | | |
| ARIB | ARIB STD-T63-35.218 | 11.1.0 | Approved | Jul 13 | http://www.arib.or.jp/english/html/overview/doc/STD-T63v10_00/2_T63/ARIB-STD-T63/Rel11/35/A35218-b10.pdf |
| CCSA | CCSA-TSD-TDD-35.218 | 11.1.0 | Published | Jun 14 | http://www.ccsa.org.cn/english/tc/files.php?docpath=/ITU-R/M.1457/M.1457-12/TDD |
| ETSI | ETSI TS 135 218 | 11.1.0 | Published | Feb 13 | http://www.etsi.org/deliver/etsi_ts/135200_135299/135218/11.01.00_60/ |

5.3.2.13.148 TR 35.909**3G Security; Specification of the MILENAGE algorithm set: an example algorithm set for the 3GPP authentication and key generation functions f1, f1*, f2, f3, f4, f5 and f5*; Document 5: Summary and results of design and evaluation**

This Report contains a detailed summary of the work performed during the design and evaluation of the 3GPP Authentication Functions denoted as the MILENAGE algorithm set. It contains all results and findings from this work and should be read as a supplement to the specifications of the algorithms in ETSI/SAGE Specification of the MILENAGE Algorithm Set: an Example Algorithm Set for the 3GPP Authentication and Key generation Functions, f1, f1*, f2, f3, f4, f5 and f5*; Document 1: Algorithm Specification. and the general project report on the Design and Evaluation of the 3GPP Authentication and Key generation Functions.

| SDO (2) | Document No. | Version | Status | Issued date | Location (1) |
|-------------------|---------------------|---------|-----------|-------------|---|
| Release 4 | | | | | |
| CCSA | CCSA-TSD-TDD-35.909 | 4.0.0 | Published | Jun 12 | http://www.ccsa.org.cn/english/tc/files.php?docpath=/ITU-R/M.1457/M.1457-12/TDD |
| ETSI | ETSI TR 135 909 | 4.0.0 | Published | May 01 | http://www.etsi.org/deliver/etsi_tr/135900_135999/135909/04.00.00_60/ |
| Release 5 | | | | | |
| CCSA | CCSA-TSD-TDD-35.909 | 5.0.0 | Published | Jun 12 | http://www.ccsa.org.cn/english/tc/files.php?docpath=/ITU-R/M.1457/M.1457-12/TDD |
| ETSI | ETSI TR 135 909 | 5.0.0 | Published | Jun 02 | http://www.etsi.org/deliver/etsi_tr/135900_135999/135909/05.00.00_60/ |
| Release 6 | | | | | |
| CCSA | CCSA-TSD-TDD-35.909 | 6.0.0 | Published | Jun 12 | http://www.ccsa.org.cn/english/tc/files.php?docpath=/ITU-R/M.1457/M.1457-12/TDD |
| ETSI | ETSI TR 135 909 | 6.0.0 | Published | Jan 05 | http://www.etsi.org/deliver/etsi_tr/135900_135999/135909/06.00.00_60/ |
| Release 7 | | | | | |
| CCSA | CCSA-TSD-TDD-35.909 | 7.0.0 | Published | Jun 12 | http://www.ccsa.org.cn/english/tc/files.php?docpath=/ITU-R/M.1457/M.1457-12/TDD |
| ETSI | ETSI TR 135 909 | 7.0.0 | Published | Jun 07 | http://www.etsi.org/deliver/etsi_tr/135900_135999/135909/07.00.00_60/ |
| Release 8 | | | | | |
| CCSA | CCSA-TSD-TDD-35.909 | 8.0.0 | Published | Jun 12 | http://www.ccsa.org.cn/english/tc/files.php?docpath=/ITU-R/M.1457/M.1457-12/TDD |
| ETSI | ETSI TR 135 909 | 8.0.0 | Published | Feb 09 | http://www.etsi.org/deliver/etsi_tr/135900_135999/135909/08.00.00_60/ |
| Release 9 | | | | | |
| CCSA | CCSA-TSD-TDD-35.909 | 9.0.0 | Published | Jun 12 | http://www.ccsa.org.cn/english/tc/files.php?docpath=/ITU-R/M.1457/M.1457-12/TDD |
| ETSI | ETSI TR 135 909 | 9.0.0 | Published | Feb 10 | http://www.etsi.org/deliver/etsi_tr/135900_135999/135909/09.00.00_60/ |
| Release 10 | | | | | |
| CCSA | CCSA-TSD-TDD-35.909 | 10.0.0 | Published | Jun 12 | http://www.ccsa.org.cn/english/tc/files.php?docpath=/ITU-R/M.1457/M.1457-12/TDD |
| ETSI | ETSI TR 135 909 | 10.0.0 | Published | Apr 11 | http://www.etsi.org/deliver/etsi_tr/135900_135999/135909/10.00.00_60/ |
| Release 11 | | | | | |
| CCSA | CCSA-TSD-TDD-35.909 | 11.0.0 | Published | Jun 14 | http://www.ccsa.org.cn/english/tc/files.php?docpath=/ITU-R/M.1457/M.1457-12/TDD |
| ETSI | ETSI TR 135 909 | 11.0.0 | Published | Nov 12 | http://www.etsi.org/deliver/etsi_tr/135900_135999/135909/11.00.00_60/ |

5.3.2.13.149 TR 35.919**Specification of the 3GPP Confidentiality and Integrity Algorithms UEA2 & UIA2; Document 5: Design and evaluation report**

This document specifies the 3GPP confidentiality and integrity algorithms known as UEA2 and UIA2.

| SDO (2) | Document No. | Version | Status | Issued date | Location (1) |
|-------------------|---------------------|---------|-----------|-------------|---|
| Release 7 | | | | | |
| ARIB | ARIB TR-T12-35.919 | 7.0.0 | Approved | Jul 13 | http://www.arib.or.jp/english/html/overview/doc/STD-T63v10_00/3_T12/ARIB-TR-T12/Rel7/35/A35919-700.pdf |
| CCSA | CCSA-TSD-TDD-35.919 | 7.0.0 | Published | Jun 12 | http://www.ccsa.org.cn/english/tc/files.php?docpath=/ITU-R/M.1457/M.1457-12/TDD |
| ETSI | ETSI TR 135 919 | 7.0.0 | Published | Jul 07 | http://www.etsi.org/deliver/etsi_tr/135900_135999/135919/07.00.00_60/ |
| Release 8 | | | | | |
| CCSA | CCSA-TSD-TDD-35.919 | 8.0.0 | Published | Jun 12 | http://www.ccsa.org.cn/english/tc/files.php?docpath=/ITU-R/M.1457/M.1457-12/TDD |
| ETSI | ETSI TR 135 919 | 8.0.0 | Published | Feb 09 | http://www.etsi.org/deliver/etsi_tr/135900_135999/135919/08.00.00_60/ |
| Release 9 | | | | | |
| ARIB | ARIB TR-T12-35.919 | 9.1.0 | Approved | Jul 13 | http://www.arib.or.jp/english/html/overview/doc/STD-T63v10_00/3_T12/ARIB-TR-T12/Rel9/35/A35919-910.pdf |
| CCSA | CCSA-TSD-TDD-35.919 | 9.1.0 | Published | Jun 12 | http://www.ccsa.org.cn/english/tc/files.php?docpath=/ITU-R/M.1457/M.1457-12/TDD |
| ETSI | ETSI TR 135 919 | 9.1.0 | Published | Jan 11 | http://www.etsi.org/deliver/etsi_tr/135900_135999/135919/09.01.00_60/ |
| Release 10 | | | | | |
| ARIB | ARIB TR-T12-35.919 | 10.0.0 | Approved | Jul 13 | http://www.arib.or.jp/english/html/overview/doc/STD-T63v10_00/3_T12/ARIB-TR-T12/Rel10/35/A35919-a00.pdf |
| CCSA | CCSA-TSD-TDD-35.919 | 10.0.0 | Published | Jun 12 | http://www.ccsa.org.cn/english/tc/files.php?docpath=/ITU-R/M.1457/M.1457-12/TDD |
| ETSI | ETSI TR 135 919 | 10.0.0 | Published | Apr 11 | http://www.etsi.org/deliver/etsi_tr/135900_135999/135919/10.00.00_60/ |
| Release 11 | | | | | |
| ARIB | ARIB TR-T12-35.919 | 11.0.0 | Approved | Jul 13 | http://www.arib.or.jp/english/html/overview/doc/STD-T63v10_00/3_T12/ARIB-TR-T12/Rel11/35/A35919-b00.pdf |
| CCSA | CCSA-TSD-TDD-35.919 | 11.3.0 | Published | Jun 14 | http://www.ccsa.org.cn/english/tc/files.php?docpath=/ITU-R/M.1457/M.1457-12/TDD |
| ETSI | ETSI TR 135 919 | 11.0.0 | Published | Nov 12 | http://www.etsi.org/deliver/etsi_tr/135900_135999/135919/11.00.00_60/ |

5.3.2.14 Vocabulary

5.3.2.14.1 TR 21.905

Vocabulary for 3GPP Specifications

Document 21.905 is a collection of terms, definitions and abbreviations related to the baseline documents defining the objectives and systems framework. This document provides a tool for further work on the technical documentation and facilitates their understanding.

| SDO (2) | Document No. | Version | Status | Issued date | Location (1) |
|-------------------|---------------------------|---------|-----------|-------------|---|
| Release 99 | | | | | |
| ARIB | ARIB TR-T12-21.905 | 3.3.0 | Approved | Jul 13 | http://www.arib.or.jp/english/html/overview/doc/STD-T63v10_00/3_T12/ARIB-TR-T12/R99/21/A21905-330.pdf |
| ATIS | T1.3GPP.21.905V330-2002 | 3.3.0 | Approved | May 02 | https://www.atis.org/docstore/default.aspx |
| CCSA | CCSA-TSD-TDD-21.905 | 3.3.0 | Published | Oct 01 | http://www.ccsa.org.cn/english/tc/files.php?docpath=/ITU-R/M.1457/M.1457-12/TDD |
| ETSI | ETSI TR 121 905 | 3.3.0 | Published | Oct 01 | http://www.etsi.org/deliver/etsi_tr/121900_121999/121905/03.03.00_60/ |
| TTC | TR-3GA-21.905(R99)v3.3.0 | 3.3.0 | Approved | Nov 01 | http://www.ttc.or.jp/j/document_list/free/TR/TR-3GA-21.905(R99)v3.3.0.pdf |
| Release 4 | | | | | |
| ARIB | ARIB TR-T12-21.905 | 4.5.0 | Approved | Jul 13 | http://www.arib.or.jp/english/html/overview/doc/STD-T63v10_00/3_T12/ARIB-TR-T12/Rel4/21/A21905-450.pdf |
| ATIS | T1.3GPP.21.905V450-2004 | 4.5.0 | Approved | May 04 | https://www.atis.org/docstore/default.aspx |
| CCSA | CCSA-TSD-TDD-21.905 | 4.5.0 | Published | Jul 03 | http://www.ccsa.org.cn/english/tc/files.php?docpath=/ITU-R/M.1457/M.1457-12/TDD |
| ETSI | ETSI TR 121 905 | 4.5.0 | Published | Jul 03 | http://www.etsi.org/deliver/etsi_tr/121900_121999/121905/04.05.00_60/ |
| TTC | TR-3GA-21.905(Rel4)v4.5.0 | 4.5.0 | Approved | Aug 03 | http://www.ttc.or.jp/j/document_list/free/TR/TR-3GA-21.905(Rel4)v4.5.0.pdf |

Release 5

| | | | | | |
|------|----------------------------|--------|-----------|--------|---|
| ARIB | ARIB TR-T12-21.905 | 5.10.0 | Approved | Jul 13 | http://www.arib.or.jp/english/html/overview/doc/STD-T63v10_00/3_T12/ARIB-TR-T12/Rel5/21/A21905-5a0.pdf |
| ATIS | ATIS.3GPP.21.905V5100-2006 | 5.10.0 | Approved | Apr 06 | https://www.atis.org/docstore/default.aspx |
| CCSA | CCSA-TSD-TDD-21.905 | 5.10.0 | Published | Oct 05 | http://www.ccsa.org.cn/english/tc/files.php?docpath=/ITU-R/M.1457/M.1457-12/TDD |
| ETSI | ETSI TR 121 905 | 5.10.0 | Published | Oct 05 | http://www.etsi.org/deliver/etsi_tr/121900_121999/121905/05.10.00_60/ |
| TTC | TR-3GA-21.905(Rel5)v5.10.0 | 5.10.0 | Approved | Nov 05 | http://www.ttc.or.jp/j/document_list/free/TR/TR-3GA-21.905(Rel5)v5.10.0.pdf |

Release 6

| | | | | | |
|------|----------------------------|--------|-----------|--------|---|
| ARIB | ARIB TR-T12-21.905 | 6.10.0 | Approved | Jul 13 | http://www.arib.or.jp/english/html/overview/doc/STD-T63v10_00/3_T12/ARIB-TR-T12/Rel6/21/A21905-6a0.pdf |
| ATIS | ATIS.3GPP.21.905V6100-2006 | 6.10.0 | Approved | Apr 06 | https://www.atis.org/docstore/default.aspx |
| CCSA | CCSA-TSD-TDD-21.905 | 6.10.0 | Published | Oct 05 | http://www.ccsa.org.cn/english/tc/files.php?docpath=/ITU-R/M.1457/M.1457-12/TDD |
| ETSI | ETSI TR 121 905 | 6.10.0 | Published | Oct 05 | http://www.etsi.org/deliver/etsi_tr/121900_121999/121905/06.10.00_60/ |
| TTC | TR-3GA-21.905(Rel6)v6.10.0 | 6.10.0 | Approved | Nov 05 | http://www.ttc.or.jp/j/document_list/free/TR/TR-3GA-21.905(Rel6)v6.10.0.pdf |

Release 7

| | | | | | |
|------|---------------------------|-------|-----------|--------|---|
| ARIB | ARIB TR-T12-21.905 | 7.4.0 | Approved | Jul 13 | http://www.arib.or.jp/english/html/overview/doc/STD-T63v10_00/3_T12/ARIB-TR-T12/Rel7/21/A21905-740.pdf |
| ATIS | ATIS.3GPP.21.905V740-2007 | 7.4.0 | Approved | Oct 07 | https://www.atis.org/docstore/default.aspx |
| CCSA | CCSA-TSD-TDD-21.905 | 7.4.0 | Published | Jul 07 | http://www.ccsa.org.cn/english/tc/files.php?docpath=/ITU-R/M.1457/M.1457-12/TDD |
| ETSI | ETSI TR 121 905 | 7.4.0 | Published | Jul 07 | http://www.etsi.org/deliver/etsi_tr/121900_121999/121905/07.04.00_60/ |
| TTC | TR-3GA-21.905(Rel7)v7.4.0 | 7.4.0 | Approved | Mar 08 | http://www.ttc.or.jp/j/document_list/free/TR/TR-3GA-21.905(Rel7)v7.4.0.pdf |

Release 8

| | | | | | |
|------|---------------------------|-------|-----------|--------|---|
| ARIB | ARIB TR-T12-21.905 | 8.8.0 | Approved | Jul 13 | http://www.arib.or.jp/english/html/overview/doc/STD-T63v10_00/3_T12/ARIB-TR-T12/Rel8/21/A21905-880.pdf |
| ATIS | ATIS.3GPP.21.905V880-2009 | 8.8.0 | Approved | Jul 09 | https://www.atis.org/docstore/default.aspx |
| CCSA | CCSA-TSD-TDD-21.905 | 8.8.0 | Published | Apr 09 | http://www.ccsa.org.cn/english/tc/files.php?docpath=/ITU-R/M.1457/M.1457-12/TDD |
| ETSI | ETSI TR 121 905 | 8.8.0 | Published | Apr 09 | http://www.etsi.org/deliver/etsi_tr/121900_121999/121905/08.08.00_60/ |
| TTC | TR-3GA-21.905(Rel8)v8.8.0 | 8.8.0 | Approved | Jul 09 | http://www.ttc.or.jp/j/document_list/free/3gpps2009/TR/TR-3GA-21.905(Rel8)v8.8.0.pdf |

Release 9

| | | | | | |
|------|---------------------------|-------|-----------|--------|---|
| ARIB | ARIB TR-T12-21.905 | 9.4.0 | Approved | Jul 13 | http://www.arib.or.jp/english/html/overview/doc/STD-T63v10_00/3_T12/ARIB-TR-T12/Rel9/21/A21905-940.pdf |
| ATIS | ATIS.3GPP.21.905V940-2010 | 9.4.0 | Approved | Jul 10 | https://www.atis.org/docstore/default.aspx |
| CCSA | CCSA-TSD-TDD-21.905 | 9.4.0 | Published | Mar 10 | http://www.ccsa.org.cn/english/tc/files.php?docpath=/ITU-R/M.1457/M.1457-12/TDD |
| ETSI | ETSI TR 121 905 | 9.4.0 | Published | Jan 10 | http://www.etsi.org/deliver/etsi_tr/121900_121999/121905/09.04.00_60/ |
| TTC | TR-3GA-21.905(Rel9)v9.4.0 | 9.4.0 | Approved | Jul 10 | http://www.ttc.or.jp/j/document_list/free/3gpps2010/TR/TR-3GA-21.905(Rel9)v9.4.0.pdf |

Release 10

| | | | | | |
|------|-----------------------------|--------|-----------|--------|---|
| ARIB | ARIB TR-T12-21.905 | 10.3.0 | Approved | Jul 13 | http://www.arib.or.jp/english/html/overview/doc/STD-T63v10_00/3_T12/ARIB-TR-T12/Rel10/21/A21905-a30.pdf |
| ATIS | ATIS.3GPP.21.905V1030-2012 | 10.3.0 | Approved | Jul 12 | https://www.atis.org/docstore/default.aspx |
| CCSA | CCSA-TSD-TDD-21.905 | 10.3.0 | Published | Jun 12 | http://www.ccsa.org.cn/english/tc/files.php?docpath=/ITU-R/M.1457/M.1457-12/TDD |
| ETSI | ETSI TR 121 905 | 10.3.0 | Published | Mar 11 | http://www.etsi.org/deliver/etsi_tr/121900_121999/121905/10.03.00_60/ |
| TTC | TR-3GA-21.905(Rel10)v10.3.0 | 10.3.0 | Approved | Jun 11 | http://www.ttc.or.jp/j/document_list/free/3gpps2011/TR/TR-3GA-21.905(Rel10)v10.3.0.pdf |

Release 11

| | | | | | |
|------|-----------------------------|--------|-----------|--------|---|
| ARIB | ARIB TR-T12-21.905 | 11.3.0 | Approved | Jul 13 | http://www.arib.or.jp/english/html/overview/doc/STD-T63v10_00/3_T12/ARIB-TR-T12/Rel11/21/A21905-b30.pdf |
| ATIS | ATIS.3GPP.21.905V1130-2014 | 11.3.0 | Approved | May 14 | https://www.atis.org/docstore/default.aspx |
| CCSA | CCSA-TSD-TDD-21.905 | 11.3.0 | Published | Jun 14 | http://www.ccsa.org.cn/english/tc/files.php?docpath=/ITU-R/M.1457/M.1457-12/TDD |
| ETSI | ETSI TR 121 905 | 11.3.0 | Published | Jan 13 | http://www.etsi.org/deliver/etsi_tr/121900_121999/121905/11.03.00_60/ |
| TTC | TR-3GA-21.905(Rel11)v11.3.0 | 11.3.0 | Approved | Jun 13 | http://www.ttc.or.jp/j/document_list/free/3gpps2013/TR/TR-3GA-21.905(Rel11)v11.3.0.pdf |

5.4 IMT-2000 TDMA Single-Carrier

5.4.1 Overview of the radio interface

5.4.1.1 Introduction

The IMT-2000 TDMA Single-Carrier radio interface specifications contain two variations depending on whether a TIA/EIA-41 circuit switched network component or a GSM evolved UMTS circuit switched network component is used. In either case, a common enhanced GSM General Packet Radio Service (GPRS) packet switched network component is used. The initial focus of the following sections has been to provide an evolution path for the TIA/EIA-136 pre-IMT-2000 radio interface to evolve to IMT-2000. As WRC 2000 identified additional frequency bands for IMT-2000, another pre-IMT-2000 radio interface (GSM/GPRS) is provided with an evolution path to TDMA Single-Carrier by incorporating common components of the IMT-2000 TDMA Single-Carrier radio interface. This application furthers the objective of maximum commonality between TIA/EIA-136 and GSM/EDGE GPRS.

5.4.1.1.1 Radio interface used with TIA/EIA-41 Circuit Switched Network Component

The IMT-2000 radio interface specifications for TDMA single-carrier technology utilizing the TIA/EIA-41 circuit switched network component are developed by TIA TR45.3 with input from the Universal Wireless Communications Consortium. This radio interface is called Universal Wireless Communication-136 (UWC-136), which is specified by American National Standard TIA/EIA-136. It has been developed with the objective of maximum commonality between TIA/EIA-136 and GSM EDGE GPRS.

This radio interface was designed to provide a TIA/EIA-136 (designated as 136)-based radio transmission technology that meets ITU-R's requirements for IMT-2000. It maintains the TDMA community's philosophy of evolution from 1st to 3rd generation systems while addressing the specific desires and goals of the TDMA community for a 3rd generation system.

This radio interface is an attractive and powerful evolutionary step for 136. The technology presented provides for future IMT-2000 services to existing operators, as well as providing new operators competitive features, services and technology. Additionally, the technology provides these same features and services in other bands around the world where regulatory approval has been granted to offer such services.

UWC-136 used a three component strategy for evolving the 136 technology to 3rd generation. The initial strategy consisted of enhancing the voice and data capabilities of the 30 kHz channels (designated as 136□), adding a 200 kHz carrier (EDGE) component for high-speed data (384 kbit/s) accommodating high mobility (designated as 136HS Outdoor), and adding a 1.6 MHz carrier component for very high-speed data (2 Mbit/s) in low mobility applications (designated as 136HS Indoor). The second phase update further enhanced the voice capabilities of the 30 kHz channel (designated as 136+), and added an additional alternative 200 kHz carrier EDGE component for high speed data (384 kbit/s) (designated as 136EHS).

The third phase update added support for GSM EDGE Release 5 services and the IP multimedia subsystem (IMS) as well as incorporation of the harmonised Mobile Equipment Identifier (MEID). Additionally, an alternative for the circuit switched network component is added. The combined result constituted this radio interface specification.

The fourth phase update added support for GERAN Release 6 services which include Multimedia Broadcast/Multicast Service (MBMS), Wideband AMR voice coder, and Packet Switched handoff. Additional improvements include Flexible Layer One (FLO) and downlink receiver performance.

The fifth phase update added support for GERAN Release 7 services which include improved location services utilizing UTDOA and Galileo systems, latency reductions, and conversational services over the A/Gb interface. Additional improvements included dual carrier capability along with Enhanced GPRS phase 2 (EGPRS2) which included higher order modulation, turbo codes, and reduced symbol period. Receiver diversity and Generic Access Network support enhancements were also included.

The 136HS Outdoor and Indoor components were developed to satisfy the requirements for an IMT-2000 radio transmission technology, with the additional requirement for the consideration of commercially effective evolution and deployment in current 136 networks. Such considerations include flexible spectrum allocation, spectrum efficiency, compatibility with 136 and 136□, and support of macrocellular performance at higher mobile speeds. 136EHS provided compatibility with GSM EGPRS, while this update provides a common EDGE enhanced GPRS phase 2 packet switched component with GSM EDGE Release 8 functionality thus providing commercially effective evolution and global roaming.

The TDMA community continues to enhance UWC-136, regularly providing revisions to the standards.

5.4.1.1.2 Radio interface used with GSM evolved UMTS circuit switched network component

This radio interface provides an evolution path for an additional pre-IMT-2000 technology (GSM/GPRS) to IMT-2000 TDMA Single-Carrier. The IMT-2000 radio interface specifications for TDMA Single-Carrier technology utilizing the GSM evolved UMTS circuit switched network component are developed by 3GPP and transposed by ATIS Wireless Technologies and Systems Committee (WTSC). The circuit switched component uses a common 200 kHz carrier as does the GSM EDGE enhanced GPRS phase 2 packet switched component, as used by 136EHS, to provide high speed data (384 kbit/s). In addition a new dual carrier configuration is supported.

5.4.1.2 Services

UWC-136 builds on the mature and powerful TIA/EIA-136 standard, which has evolved over many years. Thus, all TIA/EIA-136 services are included, and the capabilities of 384 kbit/s, and 2 Mbit/s high-speed data are added. Through TIA/EIA-136, this technology supports both full-rate (3 users/30 kHz) and half-rate (6 users/30 kHz) voice services. Utilizing the GSM evolved UMTS circuit switched network component, all the circuit switched services of the GSM system are provided by TDMA Single-Carrier. Additionally, the GAIT interoperability function provides interoperability between the two circuit switched networks.

5.4.1.2.1 Voice services

5.4.1.2.1.1 TIA/EIA-41 circuit switched network component

Four full-rate voice coders are presently defined: VSELP, ACELP, US1, and AMR. Additionally, one half-rate voice coder is presently defined: AMR. Enhancements to voice services entail a more robust full-rate voice service using DQPSK modulation, and a low delay and improved tandeming codec for wireless office applications using 8-PSK modulation. An additional slot format for DQPSK results in a link budget improvement of 4 dB in robustness for ACELP.

The AMR voice coder supports 3 users per RF carrier (Full Rate) and 6 users per RF carrier (Half-Rate), utilizing slot sharing and enhanced interleaving to achieve diversity gains and lower delay. RF carriers support both DQPSK and 8-PSK modulation formats so that mobiles supporting either modulation can exist on the same carrier to maximize trunking efficiency.

Voice services are supported with robust error correction coding and link quality improvement techniques such as per slot power control. Enhanced reporting mechanisms for FER, real-time C/I, and BER are also defined to aid in RF system engineering.

5.4.1.2.1.2 GSM evolved UMTS circuit switched network component

The AMR voice coder supports 8 users per 200 kHz RF carrier (Full Rate) and 16 users per RF carrier (Half-Rate), utilizing the common coding and adaptation technology used in the UWC-136 AMR. The fourth phase update provided an additional voice coder known as Wideband AMR (AMR-WB).

Wideband coding brings quality improvement over the existing narrowband telephony through the use of extended audio bandwidth. The AMR codec, standardised for Release 98 and Release 99, provides good performance for telephone bandwidth speech (audio 5.4.2 limited to 3.4 kHz). However, the introduction of a wideband speech service (audio bandwidth extended to 7 kHz) brings improved voice quality especially in terms of increased voice naturalness. Wideband coding brings speech quality exceeding wireline quality to GERAN systems.

The wideband codec was developed as a multi-rate codec consisting of several codec modes like the AMR codec. Consequently, similar to the existing AMR codec, in the AMR-WB codec, the codec mode is chosen based on the operating conditions on the radio channel. Adapting coding depending on the channel quality provides high robustness against transmission errors. The codec also includes a source controlled rate operation mechanism, which allows it to encode speech at a lower average rate by taking into account speech inactivity.

The AMR-WB codec provides the following capabilities:

- Voice quality equal to ITU-T G.722-56k in a GSM full-rate traffic channel.
- Voice quality equal to ITU-T G.722-64K in a GERAN 8-PSK Radio Channel.

The codec mode can be changed every 40 ms in GERAN channels.

Extended AMR Wideband codec

The fifth phase update added an extension to the AMR-WB codec which adds the detailed mapping from input blocks of monophonic or stereophonic audio samples in 16 bit uniform PCM format to encoded blocks and from encoded blocks to output blocks of reconstructed monophonic or stereophonic audio samples. The coding scheme is an extension of the AMR-WB coding scheme and is referred to as extended AMR-WB or AMR-WB+ codec. It comprises all AMR-WB speech codec modes including VAD/DTX as well as extended functionality for encoding general audio signals such as music, speech, mixed, and other signals. AMR-WB+ extends the AMR-WB codec by adding transform coded excitation (TCX), bandwidth extension, and stereo.

The AMR-WB+ audio codec processes input frames equal to 2 048 samples at an internal sampling frequency F_s . The internal sampling frequency is limited to the range 12 800-38 400 Hz. The 2 048-sample frames are split into two critically sampled equal frequency bands. This results in two superframes of a 1 024 samples corresponding to the low frequency (LF) and high frequency (HF) band. Each superframe is divided into four 256-samples frames. Sampling at the internal sampling rate is obtained by using a variable sampling conversion scheme, which re-samples the input signal.

The LF and HF signals are then encoded using two different approaches: the LF is encoded and decoded using the “core” encoder/decoder, based on switched ACELP and transform coded excitation (TCX). In ACELP mode, the standard AMR-WB codec is used. The HF signal is encoded with relatively few bits (16 bits/frame) using a bandwidth extension (BWE) method.

Enhanced aacPlus General audio codec

The fifth phase update also added an additional codec known as the Enhanced Advanced Audio Coding Plus (aacPlus) general audio codec. The Enhanced aacPlus audio codec is based on the Advanced Audio coding (AAC), Spectral Band Replication (SBR) and Parametric Stereo coding tools defined in the MPEG-4 Audio standard. In addition it includes further tools such as error concealment, spline resampler, and stereo-to-mono downmix. Also described is the detailed mapping from a PCM sample input to an MPEG-4 bitstream containing Enhanced aacPlus coded audio.

Voice services over Adaptive Multi-user channels on One Slot (VAMOS)

VAMOS is expected to increase voice capacity by a factor of two per BTS transceiver by creating new types of speech traffic channels in GERAN. Voice capacity is increased by multiplexing two users simultaneously on the same radio resource defined by a single time slot, specific ARFCN and specific sequence of TDMA frame numbers as defined for full rate and half rate GSM speech channels.

Channels under interest for doubled voice capacity are TCH/FS, TCH/HS, TCH/EFS, TCH/AFS, TCH/AHS and TCH/WFS with related associated signalling channels.

In uplink two GMSK modulated signals are transmitted simultaneously on the same timeslot and ARFCN in a given cell by two different mobiles, whilst in downlink one or more quaternary constellation mappings are used in order to multiplex two speech users simultaneously on a given timeslot.

5.4.1.2.2 Data services

A scalable packet data service having data rates from 11.2 kbit/s to greater than 2 Mbit/s is supported. For 136+, 136HS Outdoor, and 136HS Indoor, this packet data service is referred to as GPRS-136. For 136EHS this packet data service is referred to as EGPRS-136. Both use the GPRS backbone network. Packet-switched services are integrated with existing circuit-switched services while maintaining TIA/EIA-136 capabilities. A mobile station in operation on the packet network may automatically move to the circuit network to place and receive calls, then return to the packet network upon completion of a circuit call. Mobile stations in operation on the packet network are also able to support services such as short message service (SMS) and message waiting indications.

The user can access two forms of data network; X.25 and Internet protocol (IP)-based. For IP-based networks the user may have dynamic or static IP allocation. Differing QoS requirements are supported for any data session and multiple simultaneous data sessions are supported. Only the user's subscription and system engineering limit the number of data sessions that are open for a user. The general approach of this integrated data model is to overlay the circuit-switched network nodes with packet data network nodes for service provisioning, registration, mobility management, and accounting. Interworking is provided between the circuit-switched and packet data networks for mobiles capable of both services. This allows a user engaged in an active data transfer to pause/resume operation should they wish to make or receive a circuit call.

Conversational services

Conversational services are used for real-time applications, such as IP-telephony (VoIP) and video-conferencing. Support for conversational services is necessary to maintain compatibility with legacy systems and should be implemented with a minimum of impact to existing systems and standards. This requires maintaining the current functional split of the protocol architecture between the core and radio access network. Implementing conversational services in the PS domain in A/Gb mode requires consideration of the following GERAN packet service characteristics:

- Minimizing the transfer delay between the SGSN and the MS.
- Improving the feedback reporting mechanism.
- Defining a suitable RLC mode to allow retransmissions for delay-sensitive applications.
- Defining radio resource management functions to efficiently support Conversational Services.

For instance, conversational services need a reduced transfer delay and a fast acknowledgement procedure over the radio interface. In addition, support of Packet-switched Handover for GERAN A/Gb mode is a prerequisite to achieve support for conversational services.

5.4.1.2.3 Ancillary services

A host of services are offered, some of which are: portable subscriptions through Removable User Identity Modules (R-UIM), short messaging, message waiting indication, calling name indication, extended standby time via sleep mode, wireless office (private systems), circuit-switched data, over-the-air activation, over-the-air programming, encryption, broadcast teleservice transport, general UDP transport, and authentication.

The second update also provided location services capabilities through System Assisted Mobile Positioning through Satellite (SAMPS).

The third phase update added a rich broadcast or point to multipoint service known as Multimedia Broadcast/Multicast Service (MBMS). Point to multipoint services exist today which allow data from a single source entity to be transmitted to multiple endpoints. MBMS efficiently provides this capability for such broadcast/multicast services provided by the home environment and other Value Added Service Providers (VASPs).

The MBMS is a unidirectional point to multipoint bearer service in which data is transmitted from a single source entity to multiple recipients. It will also be capable of expanding to support other services with these bearer capabilities.

It will support two modes of operation:

- the broadcast mode;
- the multicast mode.

MBMS broadcast mode

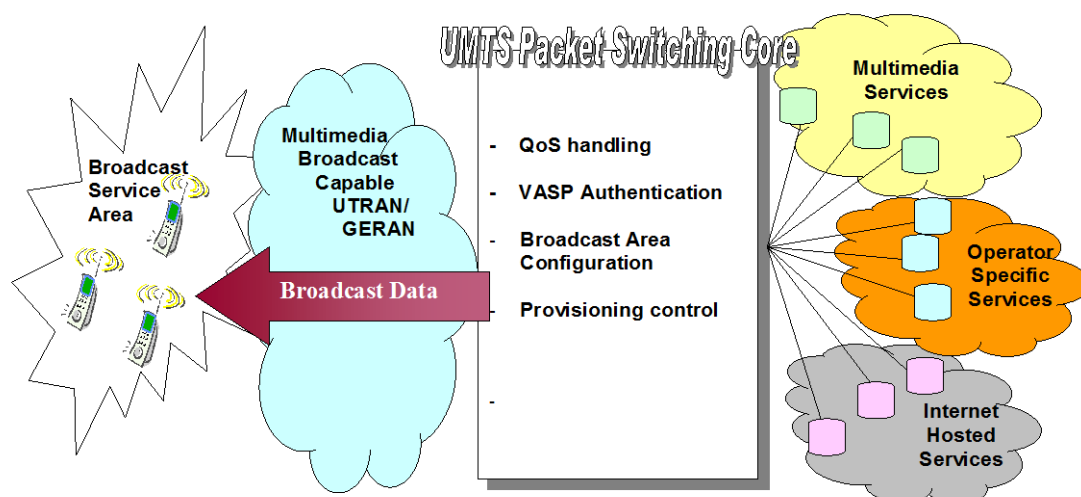
MBMS data transmission will adapt to different RAN capabilities or different radio resource availability, e.g. by reducing the bitrate of the MBMS data.

Figure 54 gives an example of how a network can be configured to broadcast a variety of high bit rate services to users within the associated broadcast service area.

A broadcast service received by the MS, involves one or more successive broadcast sessions. A broadcast service might, for example, consist of a single on-going session (e.g. a media stream) or may involve several intermittent sessions over an extended period of time (e.g. messages).

FIGURE 54

Example of MBMS broadcast mode network



An example of a service using the broadcast mode could be advertising or a welcome message to the network. As not all users attached to the network may wish to receive these messages then the user shall be able to enable/disable the reception of these broadcast service on his MS.

MBMS multicast mode

The multicast mode allows the unidirectional point-to-multipoint transmission of multimedia data (e.g. text, audio, picture, video) from a single source point to a multicast group in a multicast service area. The multicast mode will efficiently use radio/network resources, e.g. data is transmitted over a common radio channel. Data is transmitted in the multicast service area as defined by the network (Home environment). In the multicast mode there is the possibility for the network to selectively transmit to cells within the multicast service area which contain members of a multicast group.

MBMS data transmission will adapt to different RAN capabilities or different radio resource availability, e.g. by reducing the bitrate of the MBMS data.

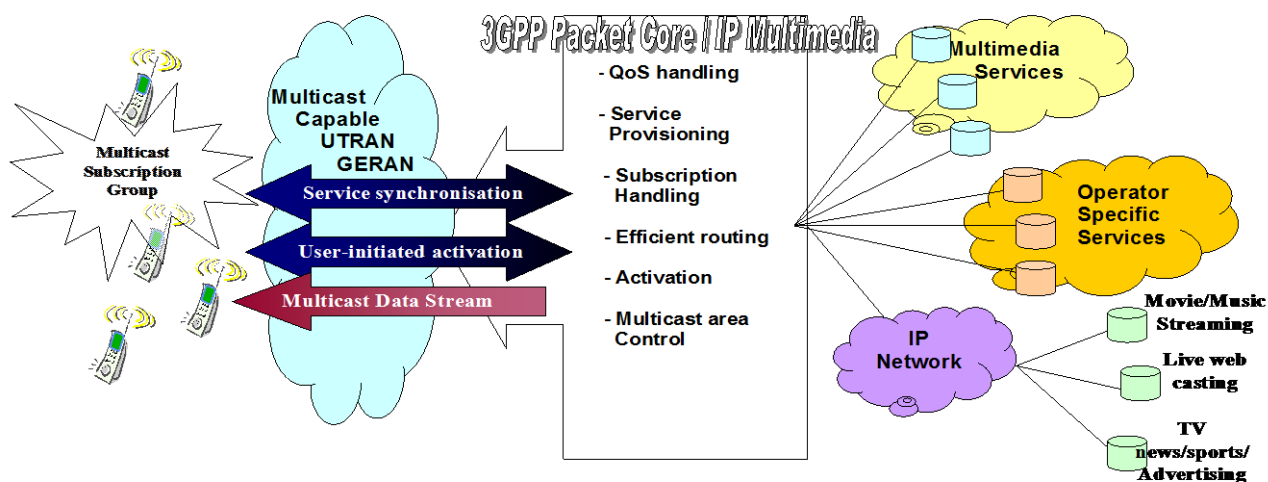
A multicast service received by the MS, involves one or more successive multicast sessions. A multicast service could, for example, consist of a single on-going session (e.g. a multimedia stream) or may involve several intermittent multicast sessions over an extended period of time (e.g. messages).

An example of a service using the multicast mode could be a football results service for which a subscription is required.

Unlike the broadcast mode, the multicast mode generally requires a subscription to the multicast subscription group and then the user joining the corresponding multicast group. The subscription and group joining may be made by the operator, the user or a third party on their behalf (e.g. company).

FIGURE 55

Example of MBMS multicast mode network



Reception of multicast services cannot be guaranteed over the access network. For many applications and services guaranteed data reception may be carried out by higher layer services or applications which make use of MBMS.

Multicast mode should allow terminals to minimise their power consumption.

Multicast mode shall be inter-operable with IETF IP Multicast. This will allow the best use of IP service platforms to help maximize the availability of applications and content so that current and future services can be delivered in a more resource efficient manner. Figure 55 above shows a general high level overview of multicast mode network.

This update defines a CBC – BSC interface signalling protocol, including both physical layers and upper layers for the CBC – BSC interface allowing interworking between CBCs and BSCs via a standardized interface.

The lower protocol layers is based on TCP/IP in order to be in line with the corresponding IuBC interface for UMTS, which could benefit both operators and vendors in term of avoiding unnecessary deployment and development efforts.

The layer 3 interface signalling protocol including signalling procedures, messages and information elements is in line with the contents of the GSM applicable parts of TS 23.041 and is defined using tabular format.

Location services enhancements

The 3GPP GERAN specifications include support for various location technologies, such as Cell-ID, E-OTD and A-GPS positioning. Following the decision from the European Union to develop the GALILEO Global Navigation Satellite System, it was decided to add support for GALILEO in 3GPP GERAN Release 7 specifications. GALILEO will consist of a constellation of 30 satellites in three orbit planes. It is based on the same technology as GPS and provides a similar degree of precision. Using GPS and GALILEO constellations together provides real advantage in terms of accuracy, service availability and reliability, since essentially twice the number of satellites with interoperable signals will be available for position calculation and navigation. In addition, GALILEO specific signal characteristics (e.g. new modulation formats and dataless ranging

channels) are expected to bring themselves significant enhancements. Consequently, 3GPP introduced the concept of Assisted Global Navigation Satellite System (A-GNSS) in Release 7. In this concept, different Global Navigation Satellite Systems (GNSS) (currently GPS and GALILEO) can be used separately or in combination to perform the location of a mobile station. GALILEO support has been added to Release 7 specifications in such a way, that additional Global Navigation Satellite Systems can be added in the future without requiring major changes to the specifications.

The concept of GANSS (GALILEO and Additional Navigation Satellite Systems) has been introduced by defining GANSS common assistance data (applicable to any GNSS) and GANSS specific assistance data. The GANSS specific assistance data are identified by a certain GANSS-ID. Currently, GANSS includes support for GALILEO only. In the future, additional GANSS-IDs may be defined for additional constellations and the GANSS specific assistance data formats may be used for these additional GNSS in the future as well. Hence, the Assisted-GNSS concept combines Assisted-GPS (defined since Release 98) and Assisted-GANSS (new defined in Release 7). All interfaces supporting the transport of information for localization have been modified to incorporate the transport of the new GANSS elements.

Support for GNSS extended orbits

In order to compute a location in the MS based on GNSS (GPS and GANSS) signal measurements, the MS must determine with good precision the position and clock bias of the GNSS satellites. For that purpose Navigation Model assistance (ephemeris and clock corrections) are delivered to the MS in assistance data information elements. The Navigation Model assistance (as also provided in the broadcast message of each individual GNSS satellite) usually has a lifespan of four hours. There are various commercial services available that produce satellite ephemeris and clock corrections predictions with extended lifespan of several days. GERAN Release 7 includes the option to extend the satellite orbits beyond that provided by the individual GNSS. Extended Navigation Model assistance can be provided for the all satellites in a GNSS constellation with a validity period of typically between 1 and 7 days in advance. The MS may download the extended orbit data regularly (e.g. once a week) and therefore, valid navigation model assistance data would already be available in the MS when it receives a position request from the network. This usually also reduces the time to report a location estimate since most data required to calculate a location in the MS would already be available in the MS. In addition, Extended Orbits enable A-GNSS like benefits outside network/service coverage as ephemeris data for the full constellation may be already available in the MS, and hence, can achieve faster time to first fix with greater sensitivity than otherwise possible with standalone GNSS receivers.

Since the data needed to describe ephemeris and clock corrections for a period of, e.g. 7 days is rather huge, the navigation model data is differentially encoded before delivered to the MS. The orbit data are divided into periods of 4-6 hours, and the difference between adjacent orbit model data are sent to the MS. This compression technique reduces the message size of the extended orbit data significantly.

Support for Extended Orbits has been added for GPS and GANSS.

Support for Hybrid Location

This update adds support for Hybrid Location (HL), defined as concurrent use of a single network-centric location technology (cell-based techniques or U-TDOA) in combination with a single mobile-centric location technology (EOTD or AGNSS) in response to a single location request, optimizes location accuracy, increases location yield and minimizes the latency of location delivery over multiple sequential location requests. The use of simultaneous, concurrent positioning by a mobile-centric and a network-centric technology allows the SMLC to combine raw signal data in a true HL calculation or allows for a fallback location technology in the case that one technology

might fail due to current conditions (e.g. no line of sight to satellites or insufficient neighbouring cells).

5.4.1.3 Layer 1

The basic premise of operation is spectrum on demand. The amount of spectrum allocated at a given time is a function of the service mix that is required. It allows for incremental channels to be allocated and de-allocated as required. The bandwidth associated with each service is tailored to that service. By aggressively managing the spectrum, high spectral efficiency performance is supported as well as underlay cells which can steal spectrum from the overlay network to provide even more capacity in a given geographical region.

The 136+ bearer supports both voice and data service on a 30 kHz RF channel. Two modulation types are specified: mandatory $\pi/4$ -DQPSK and optional 8-PSK at a common channel symbol rate of 24.3 ksymbols/s. Channels are spaced 30 kHz apart, centre to centre. Both the voice and data services can operate on either modulation to allow for service differentiation and channel robustness.

EDGE Bearer

The 136HS Outdoor bearer and the 136EHS bearer uses a 200 kHz RF carrier, known as EDGE, to enable the deployment of the high-speed data services. Two mandatory modulations are specified: GMSK and 8-PSK at a common channel symbol rate of 270.833 ksymbols/s. The channel coding and modulation can be varied to provide an optimal adaptation of throughput versus channel robustness. Channels are spaced 200 kHz apart, centre to centre.

Dual carrier configuration

In the fifth phase update, which added GERAN Release 7 functionality, two 200 kHz carriers are supported in the Mobile station which is known as “Downlink Dual Carrier”. In a downlink dual carrier configuration, one or more PDCHs are assigned to a single MS on each of two different radio frequency channels on either the uplink or downlink, or both. On the downlink, radio blocks may be allocated on both radio frequency channels in any radio block period. On the uplink, radio blocks shall not be allocated on both radio frequency channels in the same radio block period.

A downlink dual carrier configuration shall support multislot configurations either for packet switched connections or dual transfer mode. For a Dual Transfer Mode capable MS which supports Downlink Dual Carrier, support of Downlink Dual Carrier configurations for Dual Transfer Mode is optional.

EGPRS Phase 2 bearers

Release 7 of the Evolved GERAN also added Downlink and Uplink physical layer enhancements collectively referred to as Enhanced GPRS Phase 2 (EGPRS2). Specifically, they introduce Higher Order Modulations (16 & 32-QAM) to improve Spectral Efficiency; Higher Symbol Rate (1.2 x the legacy symbol rate) to increase peak data rates and Turbo Coding to improve link performance. In order to facilitate a phased deployment of these features, various levels are defined. For example, EGPRS2 Downlink Level-A standardizes 16 & 32-QAM and Turbo Coding, whereas EGPRS2 Downlink Level-B additionally includes Higher Symbol Rate (as well as QPSK modulation). Similarly, EGPRS2 Uplink Level-A standardizes 16-QAM, whereas EGPRS Uplink Level-B additionally includes 32-QAM as well as Higher Symbol Rate. In order to accommodate the transmission of a higher symbol rate, a spectrally wide pulse shaping filter is also defined for the Uplink and is being explored for the Downlink. Further development of EGPRS2 was accomplished in Release 8 and included in this revision.

Downlink Advanced Receiver Performance

In addition to the Modulation and coding changes, Downlink Advanced Receiver Performance (DARP) is introduced. DARP is the new project name for Single Antenna Interference Cancellation (SAIC) for GERAN networks. This feature improves the link level performance and thereby the radio network capacity (spectral efficiency) for GMSK modulated circuit switched voice and packet data services (EGPRS MCS1-4) when operating in areas being limited by GMSK interference. The conclusion of the Feasibility Study is that DARP is indeed a very viable and feasible technology, and that when applied to GMSK modulation and fully deployed, will provide significant gains in voice capacity in interference-limited networks, both synchronous and asynchronous. In addition, DARP was also found to support modest increases in GPRS data throughput for the data traffic models considered. Another key conclusion is that the capacity gain due to DARP is not linearly related to DARP terminal penetration. Hence, for low to moderate terminal penetration rates, DARP is expected to provide its primary benefit in terms of immediate improvement in call quality (and GPRS throughput), with the secondary benefit of modest system capacity gain. For high terminal penetration rates (>70-80%), DARP is expected to provide both, improvement in call quality as well as large gain in overall system capacity.

Downlink Advanced Receiver Performance Phase II

The feasibility of MS Receive Diversity (MSRD) was determined during the feasibility study for evolved GSM/EDGE Radio Access Network (see § 5.4.2.5.46).

MSRD is a downlink feature, which improves the receiver performance of the mobile station by means of an additional antenna. The introduction of Single Antenna Interference Cancellation (SAIC) characterised by the Downlink Advanced Receiver Performance (DARP) Phase I has shown that receiver enhancements in the MS can provide significant gains in terms of spectral efficiency. MSRD offers the possibility of enhanced channel diversity and the potential for further improved interference cancellation performance for GMSK modulated signals as well as significant gains for 8PSK-modulated signals. Therefore gains in both user throughput and system capacity can be achieved.

Finally, the 136HS Indoor bearer uses a 1.6 MHz RF carrier to enable the deployment of high-speed indoor data services at greater than 2 Mbit/s. Two mandatory modulations are specified: B-O-QAM and Q-O-QAM at a common channel symbol rate of 2.6 Msymbols/s. The channel modulation can be varied to provide an optimal adaptation of throughput versus channel robustness. Channels are spaced 1 600 kHz apart, centre to centre.

Flexible Layer One

In the third phase update, a new logical mapping was introduced known as Flexible Layer One. Previously, the MAC sublayer was responsible for the mapping between the logical channels (traffic or control channels) and the basic physical channels. The logical channels are the channels the physical layer offers to the MAC sublayer. Until now these logical channels and the mapping to the basic physical channel have been fully specified statically.

A different approach has been taken in UTRAN, where instead of providing logical channels the physical layer offers Transport Channels (TrCH), which can be used by the MAC sublayer. A transport channel is used to transmit one data flow with a given QoS over the radio interface. A number of transport channels can be active at the same time and multiplexed at the physical layer. The transport channels are configured at call setup by the network.

With the Flexible Layer One addition, the concept of transport channels used in UTRAN is reused in GERAN, i.e. the physical layer offers one or several transport channels to the MAC sublayer.

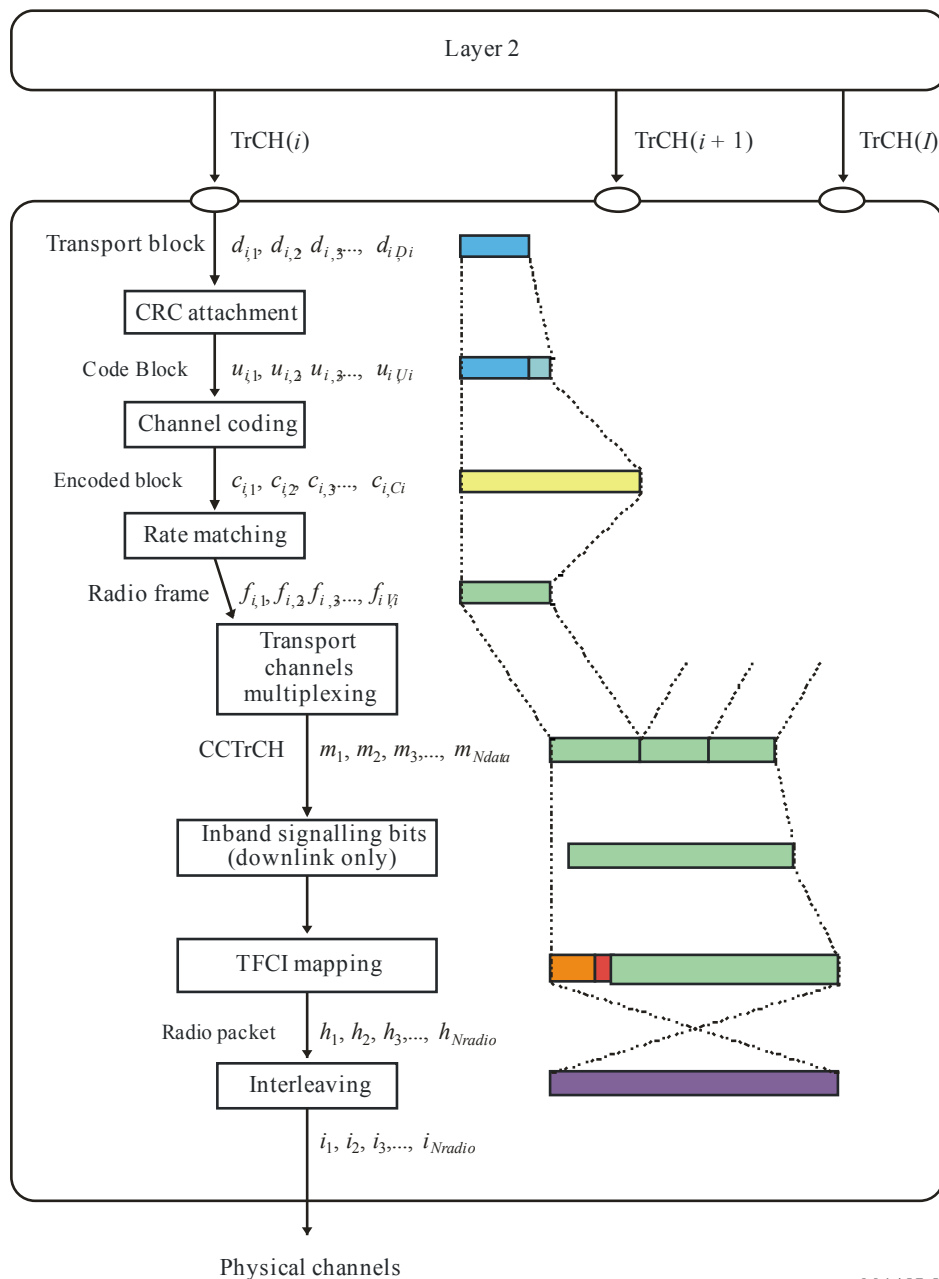
With Flexible Layer One, the physical layer of GERAN offers one or several transport channels to the MAC sublayer. Each of these transport channels can carry one data flow providing a certain Quality of Service (QoS). A number of transport channels can be multiplexed and sent on the same basic physical subchannel at the same time. This is illustrated in the figure below.

The configuration of a transport channel, i.e. the number of input bits, channel coding, interleaving, etc., is denoted the Transport Format (TF). As in UTRAN, a number of different transport formats can be associated to one transport channel. The configuration of the transport formats is completely controlled by the RAN and signalled to the MS at call setup. In both the MS and the BTS, the transport formats are used to configure the encoder and decoder units. When configuring a transport format, the RAN can choose between a number of predefined CRC lengths and block lengths.

On transport channels, transport blocks (TB) are exchanged between the MAC sublayer and the physical layer on a transmission time interval (TTI) basis. For each TTI a transport format is chosen and indicated through the transport format indicator (TFIN). In other words, the TFIN tells which transport format to use for that particular transport block on that particular TrCH during that particular TTI. When a transport channel is inactive, the transport format with a transport block size of zero (empty transport format) is selected.

Only a limited number of combinations of the transport formats of the different TrCHs are allowed. A valid combination is called a Transport Format Combination (TFC). The set of valid TFCs on a basic physical subchannel is called the Transport Format Combination Set (TFCS). The TFCS is signalled through the Calculated Transport Format Combinations (CTFC).

FIGURE 56
Flexible layer one architecture



M.1457-56

5.4.1.4 Layer 2

Layer 2 provides two different types of functionalities: those to support circuit-based operation and those that support packet-based operation.

5.4.1.4.1 Circuit

The modulated/encoded voice is carried over the digital traffic channel (DTC). The connection of the traffic channel is supervised using the coded digital verification colour code (CDVCC) on Layer 2. The mobile station (MS) decodes the CDVCC (either explicitly or implicitly) received from the base station in every DTC time slot, and compares it with the colour code received from the original connection messages or the hand-off message (DVCCs). The MS transmits the CDVCCs to the base station in each burst.

The DTC also contains fast and slow associated control channels (FACCH and SACCH) which carry control and supervising messages.

Layer 2 of the digital control channel (DCCH) services requests from and provides indications to Layer 3. On the MS side, Layer 2 services the Layer 3 reverse DCCH (RDCCH) request primitive to initiate a mobile station access attempt on the random access channel (RACH) which is controlled by Layer 2. Layer 2 then performs random or reserve access procedures, and decoding of the shared channel feedback (SCF) status information. Layer 2 issues a forward DCCH (FDCCH) indication primitive to Layer 3 when the MS receives a complete Layer 3 message broadcast or addressed on various FDCCH channels.

On the base station side, Layer 2 services the Layer 3 F-BCCH, E-BCCH, S-BCCH, and SPACH request primitives containing the Layer 3 messages to be sent to the MS. Layer 2 issues an RDCCH indication primitive to deliver to Layer 3 messages received from the MS.

Various Layer 2 protocols can be used to carry RDCCH and FDCCH information in support of Layer 3 messages such as frame segmentation and re-assembly, and ARQ mode of operation. Other functions of the DCCH Layer 2 are: message concatenation of Layer 3 messages, MSID management, header formatting, and monitoring radio link quality (MRLQ).

5.4.1.4.2 Packet

The overall function Layer 2 provides is to realize radio bearers for Layer 3, taking into consideration the requested QoS objectives. Layer 2 is structured into logical link control (LLC), radio link control (RLC), and medium access control (MAC) (RLC and MAC may be combined into one function referred to as MAC).

The LLC is independent of the radio interface. The LLC provides acknowledged or unacknowledged data transfer, and provides support to the Tunneling Of Message sub-layer allowing for TIA/EIA-41 signalling over the packet bearer.

Three separate MAC entities may be included in a single Layer 2 MAC, one entity to support each type of bearer: 136 bearer, 136HS Outdoor bearer or 136EHS bearer and 136HS Indoor bearer. The main task of the MAC is to dynamically multiplex the radio resource so that the RF resources can be efficiently utilized among multiple users with minimal packet collisions. The MAC supports both an unacknowledged and an acknowledged mode. In acknowledged mode, the MAC is responsible for sequenced delivery of packets to the higher layers, and an error recovery method using a sliding window automatic repeat request is utilized. The MAC also supports transactions with different priorities, and provides QoS information with four levels of priority. This radio interface also supports several unique design features such as implicit addressing and active mobile identity management which provide link quality robustness, and resource efficiency.

The reason why RLC and MAC are considered as belonging to the same sub-layer is that both entities have direct access to the physical layer and the LLC sub-layer. Furthermore, the LLC protocol does not depend on the radio interface, whereas the RLC/MAC protocol is radio specific.

GERAN Release 7 functionality added latency reduction for both ideal and non-ideal radio conditions. This latency reduction made it possible to provide services that were not otherwise feasible in GERAN (e.g. VoIP, gaming, etc.). The reduction is split into two parts, improved Ack/Nack reporting and reduced TTI (transmission time interval). The improved Ack/Nack reporting enables a faster reporting scheme based on sending the data on the RLC data block. This also included a requirement for a reduction of the MS reaction time to transmit the report and to retransmit a block of data. The reduced TTI method involves using transmission times as low as 10 ms on the radio interface as compared to 20 ms for legacy systems. In this update further development contained in GERAN Release 9 is added.

5.4.1.5 Layer 3

Layer 3 provides two different types of mobility and resource management functionalities: those to support circuit-based operation and those that support packet-based operation.

136 mobility management and radio resource management entities at Layer 3 provide circuit-switched services. Layer 3 procedures (known as intelligent roaming) are defined to provide the user access to the optimum circuit-switched service provider. Once the initial control channel selection has been accomplished, cell re-selection and handoff algorithms provide continuity of service. The cell re-selection algorithms include several trigger conditions and selection criteria to provide versatile management capability.

The GSM-based GPRS mobility management function and the 136 mobility management function, operating in parallel, comprise the GPRS-136 mobility manager for GPRS-136. The GSM based EGPRS mobility management function and the 136 mobility management function, operating in parallel, comprise the EGPRS-136 Mobility Manager for EGPRS-136. The packet mobility management function provides packet data mobility management, while the 136 mobility management function provides circuit-switched service mobility management. Together they ensure that the network knows the current location of MS.

The packet radio resource management (RRM) entity is similar to the DCCH procedures that control voice resources. The main task of the RRM is to dynamically allocate the radio resource among the bearers so that the RF resources can be efficiently utilized among multiple users. Procedures are defined which will spread the load across multiple packet channels in a given cell. Techniques are outlined that allow for rapid finding of packet resources. Continuity of service is supported via cell re-selection as a mobile traverses multiple cells. The packet RRM supports all three packet data bearers defined in this radio interface.

In the third phase update, packet switched handover was added. The packet switched handover procedure is used to handover an MS with one or more packet flows from a source cell to a target cell. The source and target cells can be located within either the same BSS (Intra BSS HO), different BSSs within the same SGSN (Intra SGSN HO) or belonging to different SGSNs (Inter SGSN HO), or systems with different radio access types (Inter RAT HO, Inter mode HO). Handover is network controlled and mobile assisted.

While the MS is still in the source cell:

- Radio resources in the target cell are allocated and signalled to the MS.
- System information of the target cell needed for access in the target cell is signalled to the MS.

In addition to the management functions Layer 3 provides other capabilities. Layer 3 message construction rules provides backwards compatibility so that a MS or base station can process a message to the extent it understands it. This capability also allows new functions to be easily added for extensibility.

Layer 3 provides a generic R-DATA transport that can function in point-to-point or broadcast mode. This R-DATA transport can carry various teleservice messages without regard to the exact using entity. This generic capability allows various value-added services such as short message services and over-the-air programming to be defined or added to using the common transport.

5.4.1.6 Network

A system is realized by uniquely combining a TDMA Single-Carrier Radio Interface with an EDGE enhanced GPRS or an EGPRS2 packet switched network component combined with either a TIA/EIA-41 circuit switched network component or a GSM evolved UMTS circuit switched network component.

TIA/EIA-41 Circuit switched network component

Figure 58 presents the network elements and the associated reference points that comprise a system utilizing the TIA/EIA-41 circuit switched network component. The primary TIA/EIA-41 network node visible to the serving GPRS support node (SGSN) is the gateway mobile switching centre (MSC)/visitor location register (VLR). The interface between the TIA/EIA-41 gateway MSC/VLR and the SGSN is the Gs' interface, which allows the tunnelling of TIA/EIA-136 signalling messages between the MS and the gateway MSC/VLR. The tunnelling of these signalling messages is performed transparently through the SGSN. Between the MS and the SGSN, the signalling messages are transported using the tunnelling of messages (TOM) protocol layer. TOM uses the LLC unacknowledged mode procedures to transport the signalling messages. Between the SGSN and the gateway MSC/VLR, the messages are transported using the BSSAP protocol.

Upon receiving a TIA/EIA-136 signalling message from a MS via the TOM protocol, the SGSN forwards the message to the appropriate gateway MSC/VLR using the BSSAP protocol. Upon receiving a TIA/EIA-136 signalling message from a gateway MSC/VLR via the BSSAP protocol, the SGSN forwards the message to the indicated MS using the TOM protocol.

MS supporting both the TIA/EIA-41 circuit switched network component and packet services (Class B136 MS) perform location updates with the circuit system by tunnelling the registration message to the gateway MSC/VLR. When an incoming call arrives for a given MS, the gateway MSC/VLR associated with the latest registration pages the MS through the SGSN. The page can be a hard page (no Layer 3 information included in the message), in which case, the Gs' interface paging procedures are used by the MSC/VLR and the SGSN. If the circuit page is not for a voice call or, if additional parameters are associated with the page, a Layer 3 page message is tunnelled to the MS by the MSC/VLR. Upon receiving a page, the MS pauses the packet data session and leaves the packet data channel for a suitable DCCH. Broadcast information is provided on the packet control channel to assist the MS with a list of candidate DCCHs. Once on a DCCH, the MS sends a page response. The remaining call setup procedures, such as traffic channel designation, proceed as in a normal page response situation.

The signalling plane between a MS and the gateway MSC/VLR for the TIA/EIA-41 circuit switched network component is shown in Fig. 60.

GSM evolved UMTS circuit switched network component

Figure 59 presents the network elements and the associated reference points that comprise a system utilizing the GSM evolved UMTS circuit switched network component along with the common GSM EDGE enhanced GPRS or EGPRS2 packet switched component.

Since the TDMA-SC network supports a common EDGE 136EHS bearer connected to a core enhanced GPRS backbone network or a GSM EDGE radio access network, along with either circuit switched component, GSM EDGE Release 5, Release 6, Release 7, and Release 8 mobile stations and functions are supported. In addition to the Gs interface, GSM SMS functionality is also supported through the Gd interface.

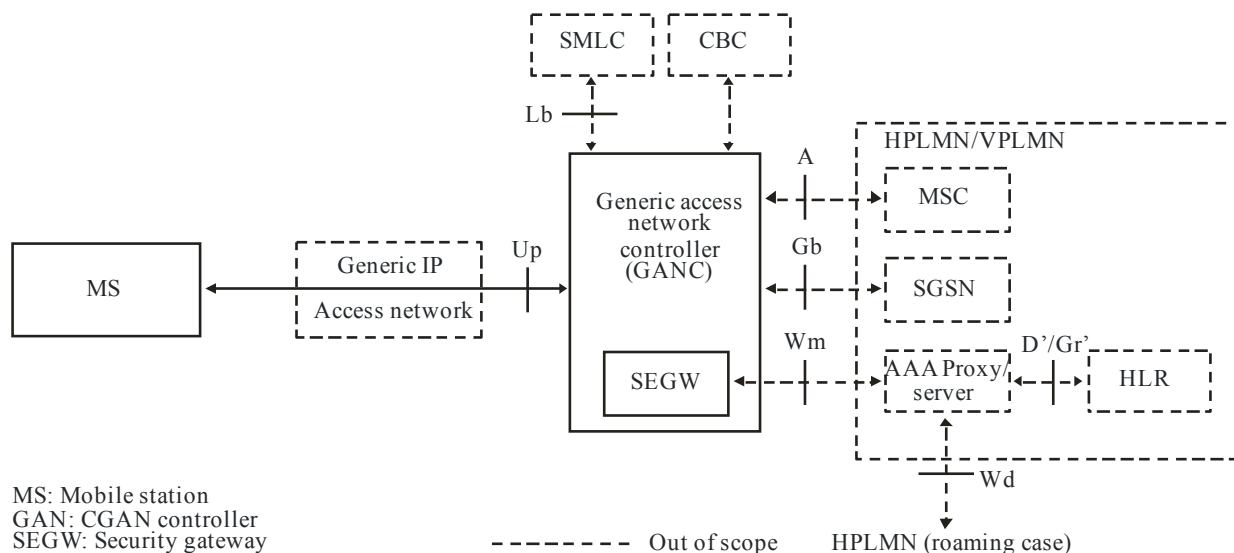
Generic access network

GERAN Release 6 introduced Generic Access to the A/Gb interfaces, or GA, which is an extension of GSM/GPRS mobile services that is achieved by tunnelling Non Access Stratum (NAS) protocols between the MS and the Core Network over an IP network. GA is a complement to traditional GSM/GPRS/UTRAN radio coverage.

The Generic access network functional architecture is illustrated in Fig. 57.

FIGURE 57

GAN functional architecture



M.1457-57

The main components of the GAN architecture are a Mobile Station (MS) with enhanced functionality and the Generic Access Network Controller (GANC). The GANC appears to the core network as a GERAN Base Station Subsystem (BSS). It includes a Security Gateway (SEGW) that terminates secure remote access tunnels from the MS, providing mutual authentication, encryption and data integrity for signalling, voice and data traffic.

A Generic IP Access network provides connectivity between the MS and the GANC. The IP transport connection extends from the GANC to the MS. A single interface, the Up interface, is defined between the GANC and the MS.

GAN provides co-existence with the GSM/GPRS Radio Access Network (GERAN) and interconnection with the Core Network (CN) via the standardized interfaces defined for GERAN A/Gb mode (A-interface for circuit switched services and Gb-interface for packet switched services). In addition, the Lb-interface provides support for location services and CBC-BSC interface supports cell broadcast services.

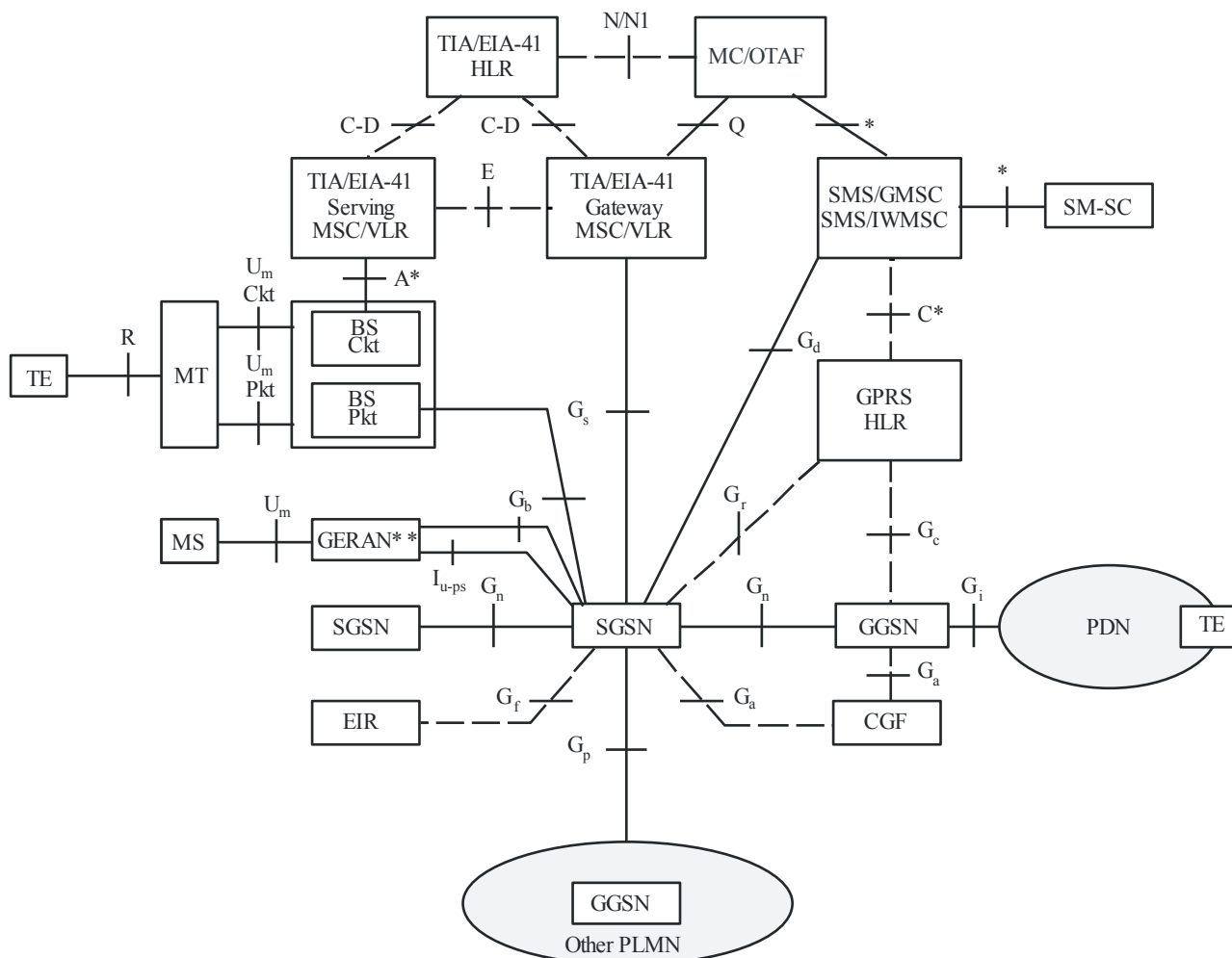
Transaction control (e.g. CC, SM) and user services are provided by the core network (e.g. MSC/VLR and the SGSN/GGSN).

Use of AAA server over the Wm interface is used to authenticate the MS when it sets up a secure tunnel. Note that only a subset of the Wm functionalities is required for the GAN application. As a minimum the GANC-SEGW shall support the Wm authentication procedures.

Indication of support for PS Services and of support for DTM is provided through appropriate signalling to the MS.

Enhancements to GAN provided in GERAN Release 7 are Seamless mobility for CS and for PS which includes real time conversational services (no disruption to downloads along with low latency and handover interruption), while development continued 29.17129 with GERAN Release 8. Transparent support for all services between UTRAN or GERAN, and GAN is provided along with reduced complexity for delivery of CS and PS services and transport efficiencies. Power consumption for the MS is also reduced.

FIGURE 58



--- Signalling

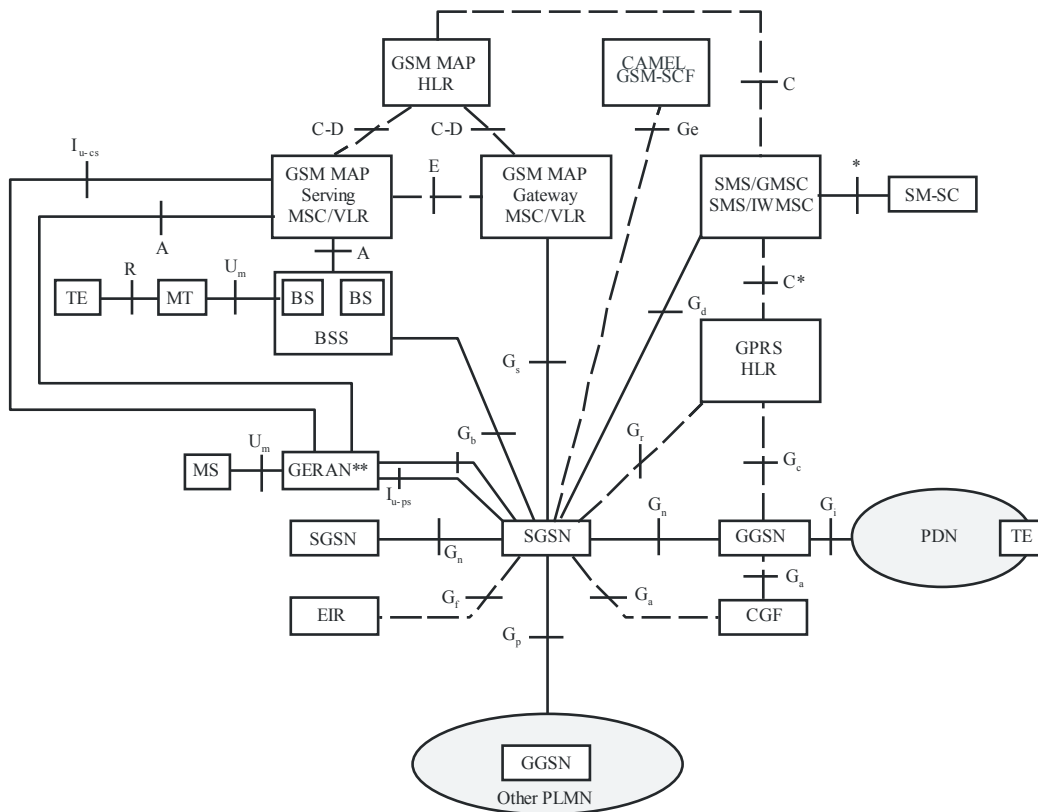
— Signalling and data transfer interface

** GERAN in this context is the union of GSM, GPRS, and EDGE

Notes:

- For simplicity, not all network elements of TIA/EIA-41 and ETSI GPRS are shown.
- Interfaces labeled with * are implementation specific.
- Interface C* is as defined in ETSI TS 129 002 (35).

FIGURE 59



--- Signalling

— Signalling and data transfer interface

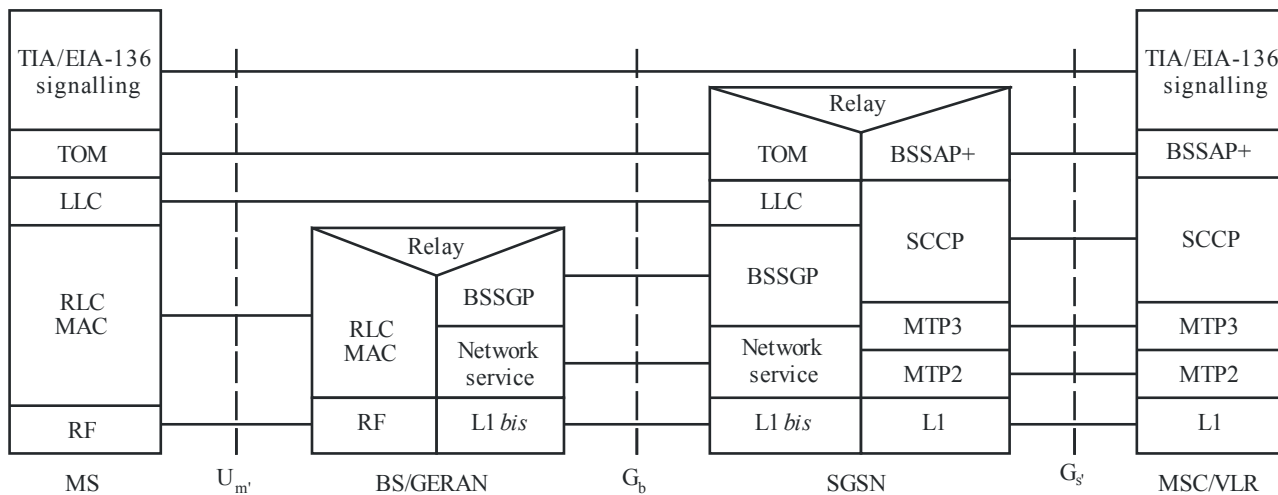
** GERAN in this context is the union of GSM, GPRS and EDGE

Notes:

- For simplicity, not all network elements of TIA/EIA-41 and ETSI GPRS are shown.
- Interfaces labeled with * are implementation specific.
- Interface C* is as defined in ETSI TS 129 002 (35).

M.1457-59

FIGURE 60



M.1457-60

5.4.1.7 Summary of major technical parameters

Table 6 lists the major technical parameters of this radio interface.

TABLE 6

| Parameter | “Value” | Reference to § 5.4.2 |
|---|---|--|
| Multiple Access Technique | TDMA | 5.4.2.5.4 5.4.2.5.12 5.4.2.5.17 5.4.2.3.12 5.4.2.3.3 5.4.2.3.6 |
| Carrier Spacing: 136+ Bearer EDGE Bearer 136HS Indoor Bearer | 30 kHz 200 kHz 1.6 MHz | 5.4.2.3.2 |
| Carrier Symbol Rate: 136+ Bearer EDGE Bearer 136HS Indoor Bearer | 24.3 ksymbols/s 270.833 ksymbols/s, 325 ksymbols/s 2.6 Msymbols/s | 5.4.2.5.4 5.4.2.3.6 5.4.2.5.12 5.4.2.3.14 5.4.2.5.17 |
| Data Modulation: 136+ Bearer EDGE Bearer 136HS Indoor Bearer | $\pi/4$ DQPSK, 8-PSK GMSK, 8-PSK, QPSK, 16-QAM, 32-QAM Binary Offset QAM, Quaternary Offset QAM | 5.4.2.5.4 5.4.2.3.6 5.4.2.5.12 5.4.2.3.14 5.4.2.5.17 |
| Channel Coding: 136+ Bearer EDGE Bearer 136HS Indoor Bearer | Punctured Convolutional codes Punctured Convolutional codes, turbo codes Incremental Redundancy Punctured Convolutional codes, Type II Hybrid ARQ | 5.4.2.5.5 5.4.2.3.6 5.4.2.5.1 5.4.2.5.2 5.4.2.5.12 5.4.2.3.13 5.4.2.5.17 |
| Frame Structure: Frame Length 136+ Bearer EDGE Bearer 136HS Indoor Bearer Number of Slots per Frame 136+ Bearer EDGE Bearer 136HS Indoor Bearer | 40 ms 4.615 (120/26) ms 4.615 (120/26) ms 6 8 16-64 | 5.4.2.5.4 5.4.2.3.3 5.4.2.3.6 5.4.2.5.12 5.4.2.3.12 5.4.2.5.17 5.4.2.5.4 5.4.2.5.12 5.4.2.3.12 5.4.2.5.17 |
| Minimum Operating Bandwidth: 136HS Outdoor Bearer 136EHS COMPACT Bearer 136EHS Classic Bearer 136HS Indoor Bearer | 2×600 kHz 2×600 kHz 2×2.4 MHz 2×1.6 MHz | 5.4.2.10.6 5.4.2.5.19 5.4.2.5.19 5.4.2.10.6 |

TABLE 6 (END)

| Parameter | “Value” | Reference to § 5.4.2 |
|--|--|---|
| Spectrum Efficiency 136+ Bearer (Voice) EDGE Bearer 136HS Indoor Bearer | 58.8 Erl/MHz/cell (3 sectors) 0.9495 Mbit/s/MHz/cell (Ped A) 1.1760 Mbit/s/MHz/cell (Veh A50) 1.0380 Mbit/s/MHz/cell (Veh A120) 0.332 Mbit/s/MHz/cell (Indoor A) | 5.4.2.10.6 |
| Receiver Sensitivity 136+ Bearer EDGE Bearer 136HS Indoor Bearer | -103 dBm (8 km/h) @ 3% BER (DQPSK) -101 dBm (8 km/h) @ 3% BER (8-PSK) -94 dBm (Ped B) @ 10% BLER -100 dBm (Veh A120) @ 10% BLER -95 dBm (Indoor A) @ 10% BLER | 5.4.2.4.6/7/8 5.4.2.4.6/7/8 5.4.2.4.9 5.4.2.4.9 5.4.2.4.9 |
| Standby RF Output Power | -117 dBm | 5.4.2.4.9 |
| Power Control | Per Slot and Per Carrier | 5.4.2.3.6 5.4.2.5.4 |
| Variable Data Rate | Supported with Slot aggregation and Link Adaptation | 5.4.2.5.4 5.4.2.5.12 5.4.2.5.19 5.4.2.5.17 |
| Dynamic Channel Allocation | Supported to increase Capacity | 5.4.2.10.6 |
| Duplexing Scheme | FDD | 5.4.2.3.2 |
| Frequency Stability | Base Station: 0.05 ppm Mobile Station: 0.1 ppm | 5.4.2.4.9 |

5.4.2 Detailed specification of the radio interface

The standards contained in this section are derived from the global core specifications for IMT_2000 contained at <http://ties.itu.int/u/itur/ede/rsg5/IMT-2000/GCS/GCSrev12>. The following notes apply to the sections below, where indicated: (1) The relevant SDOs should make their reference material available from their Web site. (2) This information was supplied by the recognized external organizations and relates to their own deliverables of the transposed global core specification.

5.4.2.1 TIA/EIA-136/UWC-136

5.4.2.1.1 136-000

List of parts

This part outlines the intended scope of the TIA/EIA-136 standard and details the list of parts comprising the current revision. The parts are organized into subgroups denoted by "nXX". For example, group TIA/EIA-136-4XX contains parts 410, 420, 430 and 440.

| SDO (2) | Document No. | Version | Status | Issued date | Location (1) |
|---------|-----------------|---------|----------|-------------|---|
| TIA | TIA/EIA-136-000 | I | Approved | Aug 14 | http://www.tiaonline.org/standards/strategic-initiatives/code-division-multiple-access |

5.4.2.2 Identities, Code Assignments, and UIM Information

5.4.2.2.1 136-005

Introduction, identification and semi-permanent memory

This part contains explanations of terms along with identity definition and selection as used in all of the parts.

| SDO (2) | Document No. | Version | Status | Issued date | Location (1) |
|---------|-----------------|---------|-----------|-------------|---|
| TIA | TIA/EIA-136-005 | C | Published | Jan 04 | http://www.tiaonline.org/standards/strategic-initiatives/code-division-multiple-access |

5.4.2.2.2 136-010

Optional mobile station facilities

This part outlines optional mobile station facilities.

| SDO (2) | Document No. | Version | Status | Issued date | Location (1) |
|---------|-----------------|---------|-----------|-------------|---|
| TIA | TIA/EIA-136-010 | C | Published | Apr 01 | http://www.tiaonline.org/standards/strategic-initiatives/code-division-multiple-access |

5.4.2.2.3 136-020

SOC, BSMC, and other code assignments

This part provides a list of the system operator codes (SOC), base station manufacturer codes (BSMC), carrier specific higher layer protocol identifiers, and broadcast air-interface transport service category assignments.

| SDO (2) | Document No. | Version | Status | Issued date | Location (1) |
|---------|-----------------|---------|-----------|-------------|---|
| TIA | TIA/EIA-136-020 | E | Published | Jan 04 | http://www.tiaonline.org/standards/strategic-initiatives/code-division-multiple-access |

5.4.2.2.4 136-030**R-UIM Overview and Operations**

This part provides an overview of the operation of the Removable User Identity Module as supported in TIA/EIA-136.

| SDO (2) | Document No. | Version | Status | Issued date | Location (1) |
|-------------------|-----------------|---------|-----------|-------------|---|
| Release 99 | | | | | |
| TIA | TIA/EIA-136-030 | A | Published | Apr 02 | http://www.tiaonline.org/standards/strategic-initiatives/code-division-multiple-access |
| Release 5 | | | | | |
| TIA | TIA/EIA-136-030 | B-1(E) | Published | Jun 05 | http://www.tiaonline.org/standards/strategic-initiatives/code-division-multiple-access |

5.4.2.2.5 136-033**R-UIM File Structure**

This part describes the file structures contained on the Removable User Identity Module.

| SDO (2) | Document No. | Version | Status | Issued date | Location (1) |
|---------|-----------------|---------|-----------|-------------|---|
| TIA | TIA/EIA-136-033 | A | Published | Apr 02 | http://www.tiaonline.org/standards/strategic-initiatives/code-division-multiple-access |

5.4.2.2.6 136-034**R-UIM - ME Interface Procedures**

This part describes the interface procedures between the Removable User Identity Module and the mobile equipment.

| SDO (2) | Document No. | Version | Status | Issued date | Location (1) |
|---------|-----------------|---------|-----------|-------------|---|
| TIA | TIA/EIA-136-034 | A | Published | Apr 02 | http://www.tiaonline.org/standards/strategic-initiatives/code-division-multiple-access |

5.4.2.2.7 136-036**Personalization of Mobile Equipment**

This part includes the personalization of mobile equipment.

| SDO (2) | Document No. | Version | Status | Issued date | Location (1) |
|---------|--------------|---------|--------|-------------|--------------|
|---------|--------------|---------|--------|-------------|--------------|

| | | | | | |
|-----|-----------------|---|-----------|--------|---|
| TIA | TIA/EIA-136-036 | 0 | Published | Apr 01 | http://www.tiaonline.org/standards/strategic-initiatives/code-division-multiple-access |
|-----|-----------------|---|-----------|--------|---|

5.4.2.2.8 136-037

R-UIM Application Toolkit

This part describes an application toolkit for use with the Removable User Identity Module.

| SDO (2) | Document No. | Version | Status | Issued date | Location (1) |
|---------|-----------------|---------|-----------|-------------|---|
| TIA | TIA/EIA-136-037 | A | Published | Apr 02 | http://www.tiaonline.org/standards/strategic-initiatives/code-division-multiple-access |

5.4.2.2.9 TS 01.01

GSM/EDGE Release 99 specifications

This document lists the documents that make up the GSM/EDGE Release 99 specifications.

| SDO (2) | Document No. | Version | Status | Issued date | Location (1) |
|-------------------|---------------------------|---------|----------|-------------|---|
| Release 99 | | | | | |
| ATIS | ATIS.3GPP.01.01V8200-2010 | 8.20.0 | Approved | Jul 10 | https://www.atis.org/docstore/default.aspx |

5.4.2.2.10 TR 21.905

Vocabulary for 3GPP Specifications

This document defines the abbreviations and acronyms used in the GSM/EDGE specifications.

| SDO (2) | Document No. | Version | Status | Issued date | Location (1) |
|-------------------|--|---------|-----------|-------------|---|
| Release 99 | | | | | |
| ATIS | T1.3GPP.01.04V800-2003 | 8.0.0 | Approved | Dec 03 | https://www.atis.org/docstore/default.aspx |
| TIA | Incl. in TIA/EIA-136-290 as GSM 01.04 (ETSI TR 101 748) | A | Published | Apr 01 | http://www.tiaonline.org/standards/strategic-initiatives/code-division-multiple-access |
| Release 5 | | | | | |
| ATIS | ATIS.3GPP.21.905V580-2005 | 5.8.0 | Approved | Apr 05 | https://www.atis.org/docstore/default.aspx |
| Release 6 | | | | | |
| ATIS | ATIS.3GPP.21.905V6100-2006 | 6.10.0 | Approved | Apr 06 | https://www.atis.org/docstore/default.aspx |
| Release 7 | | | | | |
| ATIS | ATIS.3GPP.21.905V740-2007 | 7.4.0 | Approved | Oct 07 | https://www.atis.org/docstore/default.aspx |
| Release 8 | | | | | |
| ATIS | ATIS.3GPP.21.905V880-2009 | 8.8.0 | Approved | Jul 09 | https://www.atis.org/docstore/default.aspx |
| Release 9 | | | | | |
| ATIS | ATIS.3GPP.21.905V940-2014 | 9.4.0 | Approved | May 14 | https://www.atis.org/docstore/default.aspx |

5.4.2.2.11 TS 22.016

International Mobile Station Equipment Identities

This document describes the principal purpose and use of unique Equipment Identities.

| SDO (2) | Document No. | Version | Status | Issued date | Location (1) |
|-------------------|---|---------|-----------|-------------|---|
| Release 99 | | | | | |
| ATIS | T1.3GPP.22.016V330-2003 | 3.3.0 | Approved | Dec 03 | https://www.atis.org/docstore/default.aspx |
| TIA | Incl. in TIA/EIA-136-370 as ETSI TS 122 016 v3.1.0 | 0 | Published | Apr 01 | http://www.tiaonline.org/standards/strategic-initiatives/code-division-multiple-access |
| Release 5 | | | | | |
| ATIS | T1.3GPP.22.016V500-2003 | 5.0.0 | Approved | Mar 03 | https://www.atis.org/docstore/default.aspx |
| TIA | Incl. in TIA/EIA-136-370 as ETSI TS 122 016 v5.0.0 | A | Published | Jan 04 | http://www.tiaonline.org/standards/strategic-initiatives/code-division-multiple-access |
| Release 6 | | | | | |
| ATIS | ATIS.3GPP.22.016V600-2006 | 6.0.0 | Approved | Apr 06 | https://www.atis.org/docstore/default.aspx |
| TIA | Incl. in TIA/EIA-136-370 as ETSI TS 122 016 v6.0.0 | B | Approved | Apr 06 | http://www.tiaonline.org/standards/strategic-initiatives/code-division-multiple-access |
| Release 7 | | | | | |
| ATIS | ATIS.3GPP.22.016V720-2010 | 7.2.0 | Approved | Jul 10 | https://www.atis.org/docstore/default.aspx |
| TIA | Incl. in TIA/EIA-136-370 as ETSI TS 122 016 v7.1.0 | C-1(E) | Approved | Dec 09 | http://www.tiaonline.org/standards/strategic-initiatives/code-division-multiple-access |
| Release 8 | | | | | |
| ATIS | ATIS.3GPP.22.016V811-2010 | 8.1.1 | Approved | Jul 10 | https://www.atis.org/docstore/default.aspx |
| TIA | Incl. in TIA/EIA-136-370 as ETSI TS 122 016 v8.1.1 | D-1(E) | Published | Aug 12 | http://www.tiaonline.org/standards/strategic-initiatives/code-division-multiple-access |
| Release 9 | | | | | |
| ATIS | ATIS.3GPP.22.016V901-2014 | 9.0.1 | Approved | May 14 | https://www.atis.org/docstore/default.aspx |
| TIA | Incl. in TIA/EIA-136-370 as ETSI TS 122 016 v9.0.1 | E | Approved | Aug 14 | http://www.tiaonline.org/standards/strategic-initiatives/code-division-multiple-access |

5.4.2.2.12 TS 22.022

Personalisation of Mobile Equipment (ME); Mobile functionality specification

This document provides the functionality specification for the personalisation of mobile equipment.

| SDO (2) | Document No. | Version | Status | Issued date | Location (1) |
|-------------------|---|---------|-----------|-------------|---|
| Release 99 | | | | | |
| ATIS | T1.3GPP.22.022V321-2003 | 3.2.1 | Approved | Dec 03 | https://www.atis.org/docstore/default.aspx |
| TIA | Incl. in TIA/EIA-136-030 as ETSI TS 122 022 v3.1.0 | A | Published | Apr 02 | http://www.tiaonline.org/standards/strategic-initiatives/code-division-multiple-access |
| Release 5 | | | | | |
| ATIS | T1.3GPP.22.022V500-2003 | 5.0.0 | Approved | Mar 03 | https://www.atis.org/docstore/default.aspx |

1088

ITU-R M.1457-12

| | | | | | |
|-----|--|---|-----------|--------|---|
| TIA | Incl. in TIA/EIA-136-030 as ETSI TS 122 022 v5.0.0 | B | Published | Jan 04 | http://www.tiaonline.org/standards/strategic-initiatives/code-division-multiple-access |
|-----|--|---|-----------|--------|---|

Release 6

| | | | | | |
|------|---------------------------|-------|----------|--------|---|
| ATIS | ATIS.3GPP.22.022V600-2006 | 6.0.0 | Approved | Apr 06 | https://www.atis.org/docstore/default.aspx |
|------|---------------------------|-------|----------|--------|---|

Release 7

| | | | | | |
|------|---------------------------|-------|----------|--------|---|
| ATIS | ATIS.3GPP.22.022V720-2008 | 7.2.0 | Approved | Oct 08 | https://www.atis.org/docstore/default.aspx |
|------|---------------------------|-------|----------|--------|---|

Release 8

| | | | | | |
|------|---------------------------|-------|----------|--------|---|
| ATIS | ATIS.3GPP.22.022V810-2012 | 8.1.0 | Approved | Jul 12 | https://www.atis.org/docstore/default.aspx |
|------|---------------------------|-------|----------|--------|---|

Release 9

| | | | | | |
|------|---------------------------|-------|----------|--------|---|
| ATIS | ATIS.3GPP.22.022V910-2014 | 9.1.0 | Approved | May 14 | https://www.atis.org/docstore/default.aspx |
|------|---------------------------|-------|----------|--------|---|

5.4.2.2.13 TS 22.038

(U)SIM Application Toolkit (USAT); Service description; Stage 1

This part provides a service description for an application toolkit for use with the Subscriber Identity Module.

| SDO (2) | Document No. | Version | Status | Issued date | Location (1) |
|-------------------|---------------------------|---------|----------|-------------|---|
| Release 99 | | | | | |
| ATIS | ATIS.3GPP.22.038V340-2006 | 3.4.0 | Approved | Apr 06 | https://www.atis.org/docstore/default.aspx |
| Release 5 | | | | | |
| ATIS | ATIS.3GPP.22.038V540-2005 | 5.4.0 | Approved | Apr 05 | https://www.atis.org/docstore/default.aspx |
| Release 6 | | | | | |
| ATIS | ATIS.3GPP.22.038V650-2006 | 6.5.0 | Approved | Apr 06 | https://www.atis.org/docstore/default.aspx |
| Release 7 | | | | | |
| ATIS | ATIS.3GPP.22.038V750-2008 | 7.5.0 | Approved | Oct 08 | https://www.atis.org/docstore/default.aspx |
| Release 8 | | | | | |
| ATIS | ATIS.3GPP.22.038V801-2010 | 8.0.1 | Approved | Jul 10 | https://www.atis.org/docstore/default.aspx |
| Release 9 | | | | | |
| ATIS | ATIS.3GPP.22.038V900-2014 | 9.0.0 | Approved | May 14 | https://www.atis.org/docstore/default.aspx |

5.4.2.2.14 TS 23.003

Numbering, addressing and identification

This document describes the principles of numbering and addressing.

| SDO (2) | Document No. | Version | Status | Issued date | Location (1) |
|-------------------|--|---------|-----------|-------------|---|
| Release 99 | | | | | |
| ATIS | ATIS.3GPP.23.003V3150-2007 | 3.15.0 | Approved | Oct 07 | https://www.atis.org/docstore/default.aspx |
| TIA | Incl. in TIA/EIA-136-376 as ETSI TS 123 003 v3.4.0 | 0 | Published | Apr 01 | http://www.tiaonline.org/standards/strategic-initiatives/code-division-multiple-access |

Release 5

| | | | | | |
|------------------|--|--------|-----------|--------|---|
| ATIS | ATIS.3GPP.23.003V5110-2007 | 5.11.0 | Approved | Oct 07 | https://www.atis.org/docstore/default.aspx |
| TIA | Incl. in TIA/EIA-136-376 as ETSI TS 123 003 v5.10.0 | A-1(E) | Published | Jun 05 | http://www.tiaonline.org/standards/strategic-initiatives/code-division-multiple-access |
| Release 6 | | | | | |
| ATIS | ATIS.3GPP.23.003V6170-2014 | 6.17.0 | Approved | May 14 | https://www.atis.org/docstore/default.aspx |
| TIA | Incl. in TIA/EIA-136-376 as ETSI TS 123 003 v6.14.0 | B-1(E) | Approved | Jan 08 | http://www.tiaonline.org/standards/strategic-initiatives/code-division-multiple-access |
| Release 7 | | | | | |
| ATIS | ATIS.3GPP.23.003V7110-2014 | 7.11.0 | Approved | May 14 | https://www.atis.org/docstore/default.aspx |
| TIA | Incl. in TIA/EIA-136-376 as ETSI TS 123 003 v7.9.0 | C-1(E) | Approved | Dec 09 | http://www.tiaonline.org/standards/strategic-initiatives/code-division-multiple-access |
| Release 8 | | | | | |
| ATIS | ATIS.3GPP.23.003V8200-2014 | 8.20.0 | Approved | May 14 | https://www.atis.org/docstore/default.aspx |
| TIA | Incl. in TIA/EIA-136-376 as ETSI TS 123 003 v8.14.0 | D-1(E) | Published | Aug 12 | http://www.tiaonline.org/standards/strategic-initiatives/code-division-multiple-access |
| Release 9 | | | | | |
| ATIS | ATIS.3GPP.23.003V9140-2014 | 9.14.0 | Approved | May 14 | https://www.atis.org/docstore/default.aspx |
| TIA | Incl. in TIA/EIA-136-376 as ETSI TS 123 003 v9.14.0 | E | Approved | Aug 14 | http://www.tiaonline.org/standards/strategic-initiatives/code-division-multiple-access |

5.4.2.2.15 TS 23.038

Alphabets and language-specific information

This document describes alphabets and language-specific information used.

| SDO (2) | Document No. | Version | Status | Issued date | Location (1) |
|-------------------|---|---------|-----------|-------------|---|
| Release 99 | | | | | |
| ATIS | T1.3GPP.23.038V330-2000 | 3.3.0 | Approved | Jan 00 | https://www.atis.org/docstore/default.aspx |
| TIA | Incl. in TIA/EIA-136-030 as ETSI TS 123 038 v3.3.0 | A | Published | Apr 02 | http://www.tiaonline.org/standards/strategic-initiatives/code-division-multiple-access |
| Release 5 | | | | | |
| ATIS | ATIS.3GPP.23.038V510-2005 | 5.1.0 | Approved | Apr 05 | https://www.atis.org/docstore/default.aspx |
| TIA | Incl. in TIA/EIA-136-030 as ETSI TS 123 038 v5.1.0 | B-1(E) | Published | Jun 05 | http://www.tiaonline.org/standards/strategic-initiatives/code-division-multiple-access |
| Release 6 | | | | | |
| ATIS | ATIS.3GPP.23.038V610-2006 | 6.1.0 | Approved | Apr 06 | https://www.atis.org/docstore/default.aspx |
| Release 7 | | | | | |
| ATIS | ATIS.3GPP.23.038V700-2007 | 7.0.0 | Approved | Oct 07 | https://www.atis.org/docstore/default.aspx |
| Release 8 | | | | | |
| ATIS | ATIS.3GPP.23.038V830-2010 | 8.3.0 | Approved | Jul 10 | https://www.atis.org/docstore/default.aspx |
| Release 9 | | | | | |
| ATIS | ATIS.3GPP.23.038V911-2014 | 9.1.1 | Approved | May 14 | https://www.atis.org/docstore/default.aspx |

5.4.2.2.16 TS 41.101**Technical Specifications and Technical Reports for a GERAN-based 3GPP system**

This document lists the documents that make up the GSM/EDGE Release 5, Release 6, Release 7, and Release 8 specifications.

| SDO (2) | Document No. | Version | Status | Issued date | Location (1) |
|------------------|----------------------------|---------|----------|-------------|---|
| Release 5 | | | | | |
| ATIS | ATIS.3GPP.41.101V5140-2010 | 5.14.0 | Approved | Jul 10 | https://www.atis.org/docstore/default.aspx |
| Release 6 | | | | | |
| ATIS | ATIS.3GPP.41.101V6120-2010 | 6.12.0 | Approved | Jul 10 | https://www.atis.org/docstore/default.aspx |
| Release 7 | | | | | |
| ATIS | ATIS.3GPP.41.101V740-2010 | 7.4.0 | Approved | Jul 10 | https://www.atis.org/docstore/default.aspx |
| Release 8 | | | | | |
| ATIS | ATIS.3GPP.41.101V840-2014 | 8.4.0 | Approved | May 14 | https://www.atis.org/docstore/default.aspx |
| Release 9 | | | | | |
| ATIS | ATIS.3GPP.41.101V920-2014 | 9.2.0 | Approved | May 14 | https://www.atis.org/docstore/default.aspx |

5.4.2.2.17 TS 02.17**Subscriber Identity Modules, Functional characteristics**

This document defines the functional characteristics for the SIM used in the GSM/EDGE specifications. Standalone SIM functionality is not specified beyond Release 4. For the latest available information see section 5.4.2.13.39.

| SDO (2) | Document No. | Version | Status | Issued date | Location (1) |
|-------------------|------------------------|---------|----------|-------------|---|
| Release 99 | | | | | |
| ATIS | T1.3GPP.02.17V800-2003 | 8.0.0 | Approved | Dec 03 | https://www.atis.org/docstore/default.aspx |

5.4.2.2.18 TS 31.111**Universal Subscriber Identity Module (USIM) Application Toolkit (USAT)**

This part describes an application toolkit for use with the Subscriber Identity Module.

| SDO (2) | Document No. | Version | Status | Issued date | Location (1) |
|-------------------|--|---------|-----------|-------------|---|
| Release 99 | | | | | |
| ATIS | ATIS.3GPP.11.14V8180-2007 | 8.18.0 | Approved | Oct 07 | https://www.atis.org/docstore/default.aspx |
| TIA | Incl. in TIA/EIA-136-030 as GSM 11.14 (ETSI TS 101 267) | A | Published | Apr 02 | http://www.tiaonline.org/standards/strategic-initiatives/code-division-multiple-access |
| Release 5 | | | | | |
| ATIS | ATIS.3GPP.31.111V5120-2010 | 5.12.0 | Approved | Jul 10 | https://www.atis.org/docstore/default.aspx |
| TIA | Incl. in TIA/EIA-136-030 as ETSI TS 131 111 v5.8.0 | B-1(E) | Published | Jun 05 | http://www.tiaonline.org/standards/strategic-initiatives/code-division-multiple-access |

Release 6

| | | | | | |
|------|----------------------------|--------|----------|--------|---|
| ATIS | ATIS.3GPP.31.111V6150-2014 | 6.15.0 | Approved | May 14 | https://www.atis.org/docstore/default.aspx |
|------|----------------------------|--------|----------|--------|---|

Release 7

| | | | | | |
|------|----------------------------|--------|----------|--------|---|
| ATIS | ATIS.3GPP.31.111V7170-2014 | 7.17.0 | Approved | May 14 | https://www.atis.org/docstore/default.aspx |
|------|----------------------------|--------|----------|--------|---|

Release 8

| | | | | | |
|------|----------------------------|--------|----------|--------|---|
| ATIS | ATIS.3GPP.31.111V8140-2014 | 8.14.0 | Approved | May 14 | https://www.atis.org/docstore/default.aspx |
|------|----------------------------|--------|----------|--------|---|

Release 9

| | | | | | |
|------|----------------------------|--------|----------|--------|---|
| ATIS | ATIS.3GPP.31.111V9110-2014 | 9.11.0 | Approved | May 14 | https://www.atis.org/docstore/default.aspx |
|------|----------------------------|--------|----------|--------|---|

5.4.2.2.19 TS 11.11**Specification of SIM - ME Interface**

This document describes the interface between the mobile equipment and the subscriber identity module. Standalone SIM functionality is not specified beyond Release 4. For the latest available information see section 5.4.2.13.41.

| SDO (2) | Document No. | Version | Status | Issued date | Location (1) |
|-------------------|--|---------|-----------|-------------|---|
| Release 99 | | | | | |
| ATIS | ATIS.3GPP.11.11V8140-2006 | 8.14.0 | Approved | Oct 07 | https://www.atis.org/docstore/default.aspx |
| TIA | Incl. in TIA/EIA-136-370 as GSM 11.11 (ETSI TS 100 977) | 0 | Published | Apr 01 | http://www.tiaonline.org/standards/strategic-initiatives/code-division-multiple-access |

5.4.2.2.20 TS 31.133**IP Multimedia Services Identity Module (ISIM) Application Programming Interface (API); ISIM API for JavaCard**

This document defines the ISIM Application Programming Interface extending the "UICC API for Java Card". This API allows development of an application running together with an ISIM application.

| SDO (2) | Document No. | Version | Status | Issued date | Location (1) |
|------------------|---------------------------|---------|----------|-------------|---|
| Release 7 | | | | | |
| ATIS | ATIS.3GPP.31.133V740-2012 | 7.4.0 | Approved | Jul 12 | https://www.atis.org/docstore/default.aspx |
| Release 8 | | | | | |
| ATIS | ATIS.3GPP.31.133V820-2012 | 8.2.0 | Approved | Jul 12 | https://www.atis.org/docstore/default.aspx |
| Release 9 | | | | | |
| ATIS | ATIS.3GPP.31.133V920-2014 | 9.2.0 | Approved | May 14 | https://www.atis.org/docstore/default.aspx |

5.4.2.3 Channels**5.4.2.3.1 136-100****Introduction to channels**

This part provides the protocol reference model, the logical channel definitions, and the Layer 3 message mapping through Layer 2 to the physical

layer.

| SDO (2) | Document No. | Version | Status | Issued date | Location (1) |
|---------|-----------------|---------|-----------|-------------|---|
| TIA | TIA/EIA-136-100 | B | Published | Mar 00 | http://www.tiaonline.org/standards/strategic-initiatives/code-division-multiple-access |

5.4.2.3.2 136-110

RF channel assignments

This part provides RF channel assignments for MS and BS.

| SDO (2) | Document No. | Version | Status | Issued date | Location (1) |
|---------|-----------------|---------|----------|-------------|---|
| TIA | TIA/EIA-136-110 | B-1(E) | Approved | Apr 09 | http://www.tiaonline.org/standards/strategic-initiatives/code-division-multiple-access |

5.4.2.3.3 136-121

Digital control channel layer 1

This part describes the digital control channel (DCCH) Layer 1 including the frame structures and channel/subchannel descriptions.

| SDO (2) | Document No. | Version | Status | Issued date | Location (1) |
|---------|-----------------|---------|-----------|-------------|---|
| TIA | TIA/EIA-136-121 | A | Published | Nov 99 | http://www.tiaonline.org/standards/strategic-initiatives/code-division-multiple-access |

5.4.2.3.4 136-122

Digital control channel layer 2

This part provides the digital control channel (DCCH) Layer 2 service access points, protocols, and ARQ procedures, as well as requirements on the monitoring of radio link quality.

| SDO (2) | Document No. | Version | Status | Issued date | Location (1) |
|---------|-----------------|---------|-----------|-------------|---|
| TIA | TIA/EIA-136-122 | B | Published | Mar 00 | http://www.tiaonline.org/standards/strategic-initiatives/code-division-multiple-access |

5.4.2.3.5 136-123

Digital control channel layer 3

This part provides the digital control channel (DCCH) Layer 3 description, including the mobile station state diagram, detailed procedures (e.g. intelligent roaming), the Layer 3 message set, information element descriptions, and timer descriptions.

| SDO (2) | Document No. | Version | Status | Issued date | Location (1) |
|---------|--------------|---------|--------|-------------|--------------|
|---------|--------------|---------|--------|-------------|--------------|

| | | | | | |
|-----|-----------------|---|-----------|--------|---|
| TIA | TIA/EIA-136-131 | C | Published | Apr 01 | http://www.tiaonline.org/standards/strategic-initiatives/code-division-multiple-access |
|-----|-----------------|---|-----------|--------|---|

5.4.2.3.6 136-131

Digital traffic channel layer 1

This part describes the digital traffic channel (DTC) Layer 1 including the channel structure, digital voice and data slot formats, modulation, and channel coding for the MS and BS.

| SDO (2) | Document No. | Version | Status | Issued date | Location (1) |
|---------|-----------------|---------|-----------|-------------|---|
| TIA | TIA/EIA-136-131 | C | Published | Apr 01 | http://www.tiaonline.org/standards/strategic-initiatives/code-division-multiple-access |

5.4.2.3.7 136-132

Digital traffic channel layer 2

This part describes Layer 2 for the digital traffic channel (DTC), which consists primarily of supervision information.

| SDO (2) | Document No. | Version | Status | Issued date | Location (1) |
|---------|-----------------|---------|-----------|-------------|---|
| TIA | TIA/EIA-136-132 | 0 | Published | Mar 99 | http://www.tiaonline.org/standards/strategic-initiatives/code-division-multiple-access |

5.4.2.3.8 136-133

Digital traffic channel layer 3

This part describes digital traffic channel (DTC) Layer 3, including discontinuous transmission, mobile assisted handoff, charging rate and total charge indication, MS control signalling and formats, smart antenna support, and per-slot power control.

| SDO (2) | Document No. | Version | Status | Issued date | Location (1) |
|---------|-----------------|---------|-----------|-------------|---|
| TIA | TIA/EIA-136-133 | E | Published | Jan 04 | http://www.tiaonline.org/standards/strategic-initiatives/code-division-multiple-access |

5.4.2.3.9 136-140

Analogue control channel

This part describes the identification call processing, signalling formats, MS and BS requirements for the analogue control channel.

| SDO (2) | Document No. | Version | Status | Issued date | Location (1) |
|---------|-----------------|---------|----------|-------------|---|
| TIA | TIA/EIA-136-140 | C | Approved | Aug 14 | http://www.tiaonline.org/standards/strategic-initiatives/code-division-multiple-access |

5.4.2.3.10 136-150

Analogue voice channel

This part includes descriptions of the modulation characteristics, charging indication, MS control, and signalling formats for the analogue voice channel.

| SDO (2) | Document No. | Version | Status | Issued date | Location (1) |
|---------|-----------------|---------|-----------|-------------|---|
| TIA | TIA/EIA-136-150 | B | Published | Mar 00 | http://www.tiaonline.org/standards/strategic-initiatives/code-division-multiple-access |

5.4.2.3.11 TS 45.001**Physical layer on the radio path; General description**

This document provides a general description of the organization of the physical layer for the 200 kHz channel.

| SDO (2) | Document No. | Version | Status | Issued date | Location (1) |
|-------------------|---|---------|-----------|-------------|---|
| Release 99 | | | | | |
| ATIS | ATIS.3GPP.05.01V890-2005 | 8.9.0 | Approved | Apr 05 | https://www.atis.org/docstore/default.aspx |
| TIA | Incl. in TIA/EIA-136-370 as GSM 05.01 (ETSI TS 100 573) | 0 | Published | Apr 01 | http://www.tiaonline.org/standards/strategic-initiatives/code-division-multiple-access |
| Release 5 | | | | | |
| ATIS | ATIS.3GPP.45.001V590-2006 | 5.9.0 | Approved | Apr 06 | https://www.atis.org/docstore/default.aspx |
| TIA | Incl. in TIA/EIA-136-370 as ETSI TS 145 001 v5.8.0 | A-1(E) | Published | Jun 05 | http://www.tiaonline.org/standards/strategic-initiatives/code-division-multiple-access |
| Release 6 | | | | | |
| ATIS | ATIS.3GPP.45.001V690-2010 | 6.9.0 | Approved | Jul 10 | https://www.atis.org/docstore/default.aspx |
| TIA | Incl. in TIA/EIA-136-370 as ETSI TS 145 001 v6.8.0 | B-1(E) | Approved | Jan 08 | http://www.tiaonline.org/standards/strategic-initiatives/code-division-multiple-access |
| Release 7 | | | | | |
| ATIS | ATIS.3GPP.45.001V790-2010 | 7.9.0 | Approved | Jul 10 | https://www.atis.org/docstore/default.aspx |
| TIA | Incl. in TIA/EIA-136-370 as ETSI TS 145 001 v7.8.0 | C-1(E) | Approved | Dec 09 | http://www.tiaonline.org/standards/strategic-initiatives/code-division-multiple-access |
| Release 8 | | | | | |
| ATIS | ATIS.3GPP.45.001V810-2010 | 8.1.0 | Approved | Jul 10 | https://www.atis.org/docstore/default.aspx |
| TIA | Incl. in TIA/EIA-136-370 as ETSI TS 145 001 v8.1.0 | D-1(E) | Published | Aug 12 | http://www.tiaonline.org/standards/strategic-initiatives/code-division-multiple-access |
| Release 9 | | | | | |
| ATIS | ATIS.3GPP.45.001V940-2014 | 9.4.0 | Approved | May 14 | https://www.atis.org/docstore/default.aspx |
| TIA | Incl. in TIA/EIA-136-370 as ETSI TS 145 001 v9.4.0 | E | Approved | Aug 14 | http://www.tiaonline.org/standards/strategic-initiatives/code-division-multiple-access |

5.4.2.3.12 TS 45.002**Multiplexing and multiple access on the radio path**

This document provides a description of multiplexing and multiple access techniques for the 200 kHz channel.

| SDO (2) | Document No. | Version | Status | Issued date | Location (1) |
|-------------------|--|---------|-----------|-------------|---|
| Release 99 | | | | | |
| ATIS | ATIS.3GPP.05.02V8110-2005 | 8.11.0 | Approved | Apr 05 | https://www.atis.org/docstore/default.aspx |
| TIA | Incl. in TIA/EIA-136-370 as GSM 05.02 (ETSI EN 100 908) | 0 | Published | Apr 01 | http://www.tiaonline.org/standards/strategic-initiatives/code-division-multiple-access |
| Release 5 | | | | | |
| ATIS | ATIS.3GPP.45.002V5130-2006 | 5.13.0 | Approved | Apr 06 | https://www.atis.org/docstore/default.aspx |
| TIA | Incl. in TIA/EIA-136-370 as ETSI TS 145 002 v5.12.0 | A-1(E) | Published | Jun 05 | http://www.tiaonline.org/standards/strategic-initiatives/code-division-multiple-access |
| Release 6 | | | | | |
| ATIS | ATIS.3GPP.45.002V6120-2006 | 6.12.0 | Approved | Apr 06 | https://www.atis.org/docstore/default.aspx |
| TIA | Incl. in TIA/EIA-136-370 as ETSI TS 145 002 v6.12.0 | B | Approved | Apr 06 | http://www.tiaonline.org/standards/strategic-initiatives/code-division-multiple-access |
| Release 7 | | | | | |
| ATIS | ATIS.3GPP.45.002V780-2012 | 7.8.0 | Approved | Jul 12 | https://www.atis.org/docstore/default.aspx |
| TIA | Incl. in TIA/EIA-136-370 as ETSI TS 145 002 v7.7.0 | C | Approved | Oct 08 | http://www.tiaonline.org/standards/strategic-initiatives/code-division-multiple-access |
| Release 8 | | | | | |
| ATIS | ATIS.3GPP.45.002V810-2012 | 8.1.0 | Approved | Jul 12 | https://www.atis.org/docstore/default.aspx |
| TIA | Incl. in TIA/EIA-136-370 as ETSI TS 145 002 v8.1.0 | D-1(E) | Published | Aug 12 | http://www.tiaonline.org/standards/strategic-initiatives/code-division-multiple-access |
| Release 9 | | | | | |
| ATIS | ATIS.3GPP.45.002V980-2014 | 9.8.0 | Approved | May 14 | https://www.atis.org/docstore/default.aspx |
| TIA | Incl. in TIA/EIA-136-370 as ETSI TS 145 002 v9.8.0 | E | Approved | Aug 14 | http://www.tiaonline.org/standards/strategic-initiatives/code-division-multiple-access |

5.4.2.3.13 TS 45.003

Channel coding

This document provides a description of the channel coding for the physical layer for the 200 kHz channel.

| SDO (2) | Document No. | Version | Status | Issued date | Location (1) |
|-------------------|--|---------|-----------|-------------|---|
| Release 99 | | | | | |
| ATIS | ATIS.3GPP.05.03V890-2006 | 8.9.0 | Approved | Apr 06 | https://www.atis.org/docstore/default.aspx |
| TIA | Incl. in TIA/EIA-136-370 as GSM 05.03 (ETSI EN 300 909) | 0 | Published | Apr 01 | http://www.tiaonline.org/standards/strategic-initiatives/code-division-multiple-access |
| Release 5 | | | | | |
| ATIS | ATIS.3GPP.45.003V5140-2007 | 5.14.0 | Approved | Oct 07 | https://www.atis.org/docstore/default.aspx |
| TIA | Incl. in TIA/EIA-136-370 as ETSI TS 145 003 v5.11.0 | A-1(E) | Published | Jun 05 | http://www.tiaonline.org/standards/strategic-initiatives/code-division-multiple-access |

Release 6

| | | | | | |
|------|---|--------|----------|--------|---|
| ATIS | ATIS.3GPP.45.003V690-2007 | 6.9.0 | Approved | Oct 07 | https://www.atis.org/docstore/default.aspx |
| TIA | Incl. in TIA/EIA-136-370 as ETSI TS 145 003 v6.9.0 | B-1(E) | Approved | Jan 08 | http://www.tiaonline.org/standards/strategic-initiatives/code-division-multiple-access |

Release 7

| | | | | | |
|------|---|--------|----------|--------|---|
| ATIS | ATIS.3GPP.45.003V7100-2010 | 7.10.0 | Approved | Jul 10 | https://www.atis.org/docstore/default.aspx |
| TIA | Incl. in TIA/EIA-136-370 as ETSI TS 145 003 v7.8.0 | C-1(E) | Approved | Dec 09 | http://www.tiaonline.org/standards/strategic-initiatives/code-division-multiple-access |

Release 8

| | | | | | |
|------|---|--------|-----------|--------|---|
| ATIS | ATIS.3GPP.45.003V830-2010 | 8.3.0 | Approved | Jul 10 | https://www.atis.org/docstore/default.aspx |
| TIA | Incl. in TIA/EIA-136-370 as ETSI TS 145 003 v8.3.0 | D-1(E) | Published | Aug 12 | http://www.tiaonline.org/standards/strategic-initiatives/code-division-multiple-access |

Release 9

| | | | | | |
|------|---|-------|----------|--------|---|
| ATIS | ATIS.3GPP.45.003V900-2014 | 9.0.0 | Approved | May 14 | https://www.atis.org/docstore/default.aspx |
| TIA | Incl. in TIA/EIA-136-370 as ETSI TS 145 003 v9.0.0 | E | Approved | Aug 14 | http://www.tiaonline.org/standards/strategic-initiatives/code-division-multiple-access |

5.4.2.3.14 TS 45.004**Modulation**

This document provides a description of the modulation techniques for the 200 kHz channel.

| SDO (2) | Document No. | Version | Status | Issued date | Location (1) |
|-------------------|--|---------|-----------|-------------|---|
| Release 99 | | | | | |
| ATIS | T1.3GPP.05.04V840-2003 | 8.4.0 | Approved | Dec 03 | https://www.atis.org/docstore/default.aspx |
| TIA | Incl. in TIA/EIA-136-370 as GSM 05.04 (ETSI EN 300 959) | 0 | Published | Apr 01 | http://www.tiaonline.org/standards/strategic-initiatives/code-division-multiple-access |
| Release 5 | | | | | |
| ATIS | ATIS.3GPP.45.004V511-2005 | 5.1.1 | Approved | Apr 05 | https://www.atis.org/docstore/default.aspx |
| TIA | Incl. in TIA/EIA-136-370 as ETSI TS 145 004 v5.1.1 | A-1(E) | Published | Jun 05 | http://www.tiaonline.org/standards/strategic-initiatives/code-division-multiple-access |
| Release 6 | | | | | |
| ATIS | ATIS.3GPP.45.004V600-2006 | 6.0.0 | Approved | Apr 06 | https://www.atis.org/docstore/default.aspx |
| TIA | Incl. in TIA/EIA-136-370 as ETSI TS 145 004 v6.0.0 | B | Approved | Apr 06 | http://www.tiaonline.org/standards/strategic-initiatives/code-division-multiple-access |
| Release 7 | | | | | |
| ATIS | ATIS.3GPP.45.004V730-2008 | 7.3.0 | Approved | Oct 08 | https://www.atis.org/docstore/default.aspx |
| TIA | Incl. in TIA/EIA-136-370 as ETSI TS 145 004 v7.3.0 | C | Approved | Oct 08 | http://www.tiaonline.org/standards/strategic-initiatives/code-division-multiple-access |
| Release 8 | | | | | |
| ATIS | ATIS.3GPP.45.004V800-2010 | 8.0.0 | Approved | Jul 10 | https://www.atis.org/docstore/default.aspx |
| TIA | Incl. in TIA/EIA-136-370 as ETSI TS 145 004 v8.0.0 | D-1(E) | Published | Aug 12 | http://www.tiaonline.org/standards/strategic-initiatives/code-division-multiple-access |

Release 9

| | | | | | |
|------|---|-------|----------|--------|---|
| ATIS | ATIS.3GPP.45.004V910-2014 | 9.1.0 | Approved | May 14 | https://www.atis.org/docstore/default.aspx |
| TIA | Incl. in TIA/EIA-136-370 as ETSI TS 145 004 v9.1.0 | E | Approved | Aug 14 | http://www.tiaonline.org/standards/strategic-initiatives/code-division-multiple-access |

5.4.2.3.15 TS 45.005**Radio transmission and reception**

This document provides a general description of the radio transmission and reception for the 200 kHz channel.

| SDO (2) | Document No. | Version | Status | Issued date | Location (1) |
|-------------------|--|---------|-----------|-------------|---|
| Release 99 | | | | | |
| ATIS | ATIS.3GPP.05.05V8200-2006 | 8.20.0 | Approved | Apr 06 | https://www.atis.org/docstore/default.aspx |
| TIA | Incl. in TIA/EIA-136-370 as GSM 05.05 (ETSI EN 300 910) | 0 | Published | Apr 01 | http://www.tiaonline.org/standards/strategic-initiatives/code-division-multiple-access |
| Release 5 | | | | | |
| ATIS | ATIS.3GPP.45.005V5150-2012 | 5.15.0 | Approved | Jul 12 | https://www.atis.org/docstore/default.aspx |
| TIA | Incl. in TIA/EIA-136-370 as ETSI TS 145 005 v5.10.0 | A-1(E) | Published | Jun 05 | http://www.tiaonline.org/standards/strategic-initiatives/code-division-multiple-access |
| Release 6 | | | | | |
| ATIS | ATIS.3GPP.45.005V6160-2012 | 6.16.0 | Approved | Jul 12 | https://www.atis.org/docstore/default.aspx |
| TIA | Incl. in TIA/EIA-136-370 as ETSI TS 145 005 v6.14.0 | B-1(E) | Approved | Jan 08 | http://www.tiaonline.org/standards/strategic-initiatives/code-division-multiple-access |
| Release 7 | | | | | |
| ATIS | ATIS.3GPP.45.005V7260-2014 | 7.26.0 | Approved | May 14 | https://www.atis.org/docstore/default.aspx |
| TIA | Incl. in TIA/EIA-136-370 as ETSI TS 145 005 v7.17.0 | C-1(E) | Approved | Dec 09 | http://www.tiaonline.org/standards/strategic-initiatives/code-division-multiple-access |
| Release 8 | | | | | |
| ATIS | ATIS.3GPP.45.005V8170-2014 | 8.17.0 | Approved | May 14 | https://www.atis.org/docstore/default.aspx |
| TIA | Incl. in TIA/EIA-136-370 as ETSI TS 145 005 v8.13.0 | D-1(E) | Published | Aug 12 | http://www.tiaonline.org/standards/strategic-initiatives/code-division-multiple-access |
| Release 9 | | | | | |
| ATIS | ATIS.3GPP.45.005V9140-2014 | 9.14.0 | Approved | May 14 | https://www.atis.org/docstore/default.aspx |
| TIA | Incl. in TIA/EIA-136-370 as ETSI TS 145 005 v9.14.0 | E | Approved | Aug 14 | http://www.tiaonline.org/standards/strategic-initiatives/code-division-multiple-access |

5.4.2.3.16 TS 45.008**Radio subsystem Link Control**

This document provides a general description of the radio link control for the 200 kHz channel.

1098

ITU-R M.1457-12

| SDO (2) | Document No. | Version | Status | Issued date | Location (1) |
|-------------------|--|---------|-----------|-------------|---|
| Release 99 | | | | | |
| ATIS | ATIS.3GPP.05.08V8230-2006 | 8.23.0 | Approved | Apr 06 | https://www.atis.org/docstore/default.aspx |
| TIA | Incl. in TIA/EIA-136-370 as GSM 05.08 (ETSI TS 100 911) | 0 | Published | Apr 01 | http://www.tiaonline.org/standards/strategic-initiatives/code-division-multiple-access |
| Release 5 | | | | | |
| ATIS | ATIS.3GPP.45.008V5240-2014 | 5.24.0 | Approved | May 14 | https://www.atis.org/docstore/default.aspx |
| TIA | Incl. in TIA/EIA-136-370 as ETSI TS 145 008 v5.18.0 | A-1(E) | Published | Jun 05 | http://www.tiaonline.org/standards/strategic-initiatives/code-division-multiple-access |
| Release 6 | | | | | |
| ATIS | ATIS.3GPP.45.008V6220-2014 | 6.22.0 | Approved | May 14 | https://www.atis.org/docstore/default.aspx |
| TIA | Incl. in TIA/EIA-136-370 as ETSI TS 145 008 v6.19.0 | B-1(E) | Approved | Jan 08 | http://www.tiaonline.org/standards/strategic-initiatives/code-division-multiple-access |
| Release 7 | | | | | |
| ATIS | ATIS.3GPP.45.008V7210-2014 | 7.21.0 | Approved | May 14 | https://www.atis.org/docstore/default.aspx |
| TIA | Incl. in TIA/EIA-136-370 as ETSI TS 145 008 v7.14.0 | C-1(E) | Approved | Dec 09 | http://www.tiaonline.org/standards/strategic-initiatives/code-division-multiple-access |
| Release 8 | | | | | |
| ATIS | ATIS.3GPP.45.008V8160-2014 | 8.16.0 | Approved | May 14 | https://www.atis.org/docstore/default.aspx |
| TIA | Incl. in TIA/EIA-136-370 as ETSI TS 145 008 v8.12.0 | D-1(E) | Published | Aug 12 | http://www.tiaonline.org/standards/strategic-initiatives/code-division-multiple-access |
| Release 9 | | | | | |
| ATIS | ATIS.3GPP.45.008V9120-2014 | 9.12.0 | Approved | May 14 | https://www.atis.org/docstore/default.aspx |
| TIA | Incl. in TIA/EIA-136-370 as ETSI TS 145 008 v9.12.0 | E | Approved | Aug 14 | http://www.tiaonline.org/standards/strategic-initiatives/code-division-multiple-access |

5.4.2.3.17 TS 45.009

5.4.2.3.17 TS 45.009

Link adaptation

This document provides a general description of the link adaptation for the 200 kHz channel.

| SDO (2) | Document No. | Version | Status | Issued date | Location (1) |
|-------------------|--|---------|-----------|-------------|---|
| Release 98 | | | | | |
| TIA | Incl. in TIA/EIA-136-440 as GSM 05.09 (ETSI TS 101 709) | 0 | Published | Apr 01 | http://www.tiaonline.org/standards/strategic-initiatives/code-division-multiple-access |
| Release 99 | | | | | |
| ATIS | ATIS.3GPP.05.09V860-2006 | 8.6.0 | Approved | Apr 06 | https://www.atis.org/docstore/default.aspx |
| Release 5 | | | | | |
| ATIS | ATIS.3GPP.45.009V560-2006 | 5.6.0 | Approved | Apr 06 | https://www.atis.org/docstore/default.aspx |

| | | | | | |
|------------------|---|--------|-----------|--------|---|
| TIA | Incl. in TIA/EIA-136-440 as ETSI TS 145 009 v5.5.0) | A | Published | Jan 04 | http://www.tiaonline.org/standards/strategic-initiatives/code-division-multiple-access |
| Release 6 | | | | | |
| ATIS | ATIS.3GPP.45.009V620-2006 | 6.2.0 | Approved | Apr 06 | https://www.atis.org/docstore/default.aspx |
| TIA | Incl. in TIA/EIA-136-440 as ETSI TS 145 009 v6.2.0) | B | Approved | Apr 06 | http://www.tiaonline.org/standards/strategic-initiatives/code-division-multiple-access |
| Release 7 | | | | | |
| ATIS | ATIS.3GPP.45.009V700-2008 | 7.0.0 | Approved | Oct 08 | https://www.atis.org/docstore/default.aspx |
| TIA | Incl. in TIA/EIA-136-440 as ETSI TS 145 009 v7.0.0) | C | Approved | Oct 08 | http://www.tiaonline.org/standards/strategic-initiatives/code-division-multiple-access |
| Release 8 | | | | | |
| ATIS | ATIS.3GPP.45.009V800-2010 | 8.0.0 | Approved | Jul 10 | https://www.atis.org/docstore/default.aspx |
| TIA | Incl. in TIA/EIA-136-440 as ETSI TS 145 009 v8.0.0) | D-1(E) | Published | Aug 12 | http://www.tiaonline.org/standards/strategic-initiatives/code-division-multiple-access |
| Release 9 | | | | | |
| ATIS | ATIS.3GPP.45.009V910-2014 | 9.1.0 | Approved | May 14 | https://www.atis.org/docstore/default.aspx |
| TIA | Incl. in TIA/EIA-136-440 as ETSI TS 145 009 v9.1.0) | E | Approved | Aug 14 | http://www.tiaonline.org/standards/strategic-initiatives/code-division-multiple-access |

5.4.2.3.18 TS 45.010

Radio subsystem synchronization

This document provides a description of the synchronization of the radio link for the 200 kHz channel.

| SDO (2) | Document No. | Version | Status | Issued date | Location (1) |
|-------------------|--|---------|-----------|-------------|---|
| Release 99 | | | | | |
| ATIS | ATIS.3GPP.05.10V8120-2005 | 8.12.0 | Approved | Apr 05 | https://www.atis.org/docstore/default.aspx |
| TIA | Incl. in TIA/EIA-136-370 as GSM 05.10 (ETSI TS 100 912 | 0 | Published | Apr 01 | http://www.tiaonline.org/standards/strategic-initiatives/code-division-multiple-access |
| Release 5 | | | | | |
| ATIS | ATIS.3GPP.45.010V530-2005 | 5.3.0 | Approved | Apr 05 | https://www.atis.org/docstore/default.aspx |
| TIA | Incl. in TIA/EIA-136-370 as ETSI TS 145 010 v5.3.0 | A-1(E) | Published | Jun 05 | http://www.tiaonline.org/standards/strategic-initiatives/code-division-multiple-access |
| Release 6 | | | | | |
| ATIS | ATIS.3GPP.45.010V670-2008 | 6.7.0 | Approved | Oct 08 | https://www.atis.org/docstore/default.aspx |
| TIA | Incl. in TIA/EIA-136-370 as ETSI TS 145 010 v6.6.0 | B | Approved | Apr 06 | http://www.tiaonline.org/standards/strategic-initiatives/code-division-multiple-access |
| Release 7 | | | | | |
| ATIS | ATIS.3GPP.45.010V770-2010 | 7.7.0 | Approved | Jul 10 | https://www.atis.org/docstore/default.aspx |
| TIA | Incl. in TIA/EIA-136-370 as ETSI TS 145 010 v7.6.0 | C | Approved | Oct 08 | http://www.tiaonline.org/standards/strategic-initiatives/code-division-multiple-access |

1100

ITU-R M.1457-12

Release 8

| | | | | | |
|------|---|--------|-----------|--------|---|
| ATIS | ATIS.3GPP.45.010V850-2010 | 8.5.0 | Approved | Jul 10 | https://www.atis.org/docstore/default.aspx |
| TIA | Incl. in TIA/EIA-136-370 as ETSI TS 145 010 v8.5.0 | D-1(E) | Published | Aug 12 | http://www.tiaonline.org/standards/strategic-initiatives/code-division-multiple-access |

Release 9

| | | | | | |
|------|---|-------|----------|--------|---|
| ATIS | ATIS.3GPP.45.010V900-2014 | 9.0.0 | Approved | May 14 | https://www.atis.org/docstore/default.aspx |
| TIA | Incl. in TIA/EIA-136-370 as ETSI TS 145 010 v9.0.0 | E | Approved | Aug 14 | http://www.tiaonline.org/standards/strategic-initiatives/code-division-multiple-access |

5.4.2.3.19 TS 45.022

Radio link management in hierarchical networks

This document describes the radio link management for hierarchical networks.

| SDO (2) | Document No. | Version | Status | Issued date | Location (1) |
|-------------------|---------------------------|---------|----------|-------------|---|
| Release 99 | | | | | |
| ATIS | T1.3GPP.05.22V800-2003 | 8.0.0 | Approved | Dec 03 | https://www.atis.org/docstore/default.aspx |
| Release 5 | | | | | |
| ATIS | T1.3GPP.45.022V500-2003 | 5.0.0 | Approved | Dec 03 | https://www.atis.org/docstore/default.aspx |
| Release 6 | | | | | |
| ATIS | ATIS.3GPP.45.022V600-2006 | 6.0.0 | Approved | Apr 06 | https://www.atis.org/docstore/default.aspx |
| Release 7 | | | | | |
| ATIS | ATIS.3GPP.45.022V700-2008 | 7.0.0 | Approved | Oct 08 | https://www.atis.org/docstore/default.aspx |
| Release 8 | | | | | |
| ATIS | ATIS.3GPP.45.022V800-2010 | 8.0.0 | Approved | Jul 10 | https://www.atis.org/docstore/default.aspx |
| Release 9 | | | | | |
| ATIS | ATIS.3GPP.45.022V900-2014 | 9.0.0 | Approved | May 14 | https://www.atis.org/docstore/default.aspx |

5.4.2.3.20 TS 44.001

Mobile Station - Base station system (MS - BSS) interface; General aspects and principles

This document provides a general description of the mobile station - Base station system (MS-BSS) interface for the 200 kHz channel.

| SDO (2) | Document No. | Version | Status | Issued date | Location (1) |
|-------------------|---------------------------|---------|----------|-------------|---|
| Release 99 | | | | | |
| ATIS | T1.3GPP. 04.01V800-2003 | 8.0.0 | Approved | Dec 03 | https://www.atis.org/docstore/default.aspx |
| Release 5 | | | | | |
| ATIS | T1.3GPP.44.001V500-2003 | 5.0.0 | Approved | Dec 03 | https://www.atis.org/docstore/default.aspx |
| Release 6 | | | | | |
| ATIS | ATIS.3GPP.44.001V600-2006 | 6.0.0 | Approved | Apr 06 | https://www.atis.org/docstore/default.aspx |
| Release 7 | | | | | |

| | | | | | |
|------------------|---------------------------|-------|----------|--------|---|
| ATIS | ATIS.3GPP.44.001V700-2008 | 7.0.0 | Approved | Oct 08 | https://www.atis.org/docstore/default.aspx |
| Release 8 | | | | | |
| ATIS | ATIS.3GPP.44.001V800-2010 | 8.0.0 | Approved | Jul 10 | https://www.atis.org/docstore/default.aspx |
| ATIS | ATIS.3GPP.44.001V800-2010 | 8.0.0 | Approved | Jul 10 | https://www.atis.org/docstore/default.aspx |
| Release 9 | | | | | |
| ATIS | ATIS.3GPP.44.001V900-2014 | 9.0.0 | Approved | May 14 | https://www.atis.org/docstore/default.aspx |

5.4.2.3.21 TS 44.003

Mobile Station - Base station system (MS ù BSS) interface Channel Structures and Access Capabilities

This document provides a description of the channel structures and access capabilities for the mobile station - Base station system (MS-BSS) interface for the 200 kHz channel.

| SDO (2) | Document No. | Version | Status | Issued date | Location (1) |
|-------------------|---------------------------|---------|----------|-------------|---|
| Release 99 | | | | | |
| ATIS | T1.3GPP.04.03V802-2003 | 8.0.2 | Approved | Dec 03 | https://www.atis.org/docstore/default.aspx |
| Release 5 | | | | | |
| ATIS | ATIS.3GPP.44.003V501-2005 | 5.0.1 | Approved | Apr 05 | https://www.atis.org/docstore/default.aspx |
| Release 6 | | | | | |
| ATIS | ATIS.3GPP.44.003V610-2006 | 6.1.0 | Approved | Apr 06 | https://www.atis.org/docstore/default.aspx |
| Release 7 | | | | | |
| ATIS | ATIS.3GPP.44.003V700-2008 | 7.0.0 | Approved | Oct 08 | https://www.atis.org/docstore/default.aspx |
| Release 8 | | | | | |
| ATIS | ATIS.3GPP.44.003V800-2010 | 8.0.0 | Approved | Jul 10 | https://www.atis.org/docstore/default.aspx |
| Release 9 | | | | | |
| ATIS | ATIS.3GPP.44.003V900-2014 | 9.0.0 | Approved | May 14 | https://www.atis.org/docstore/default.aspx |

5.4.2.3.22 TS 44.004

Layer 1; General Requirements

This document provides a general description of the requirements for Layer 1 for the 200 kHz channel.

| SDO (2) | Document No. | Version | Status | Issued date | Location (1) |
|-------------------|---------------------------|---------|----------|-------------|---|
| Release 99 | | | | | |
| ATIS | T1.3GPP.04.04V812-2003 | 8.1.2 | Approved | Dec 03 | https://www.atis.org/docstore/default.aspx |
| Release 5 | | | | | |
| ATIS | ATIS.3GPP.44.004V530-2005 | 5.3.0 | Approved | Apr 05 | https://www.atis.org/docstore/default.aspx |
| Release 6 | | | | | |
| ATIS | ATIS.3GPP.44.004V610-2006 | 6.1.0 | Approved | Apr 06 | https://www.atis.org/docstore/default.aspx |
| Release 7 | | | | | |
| ATIS | ATIS.3GPP.44.004V710-2008 | 7.1.0 | Approved | Oct 08 | https://www.atis.org/docstore/default.aspx |

Release 8

| | | | | | |
|------|---------------------------|-------|----------|--------|---|
| ATIS | ATIS.3GPP.44.004V800-2010 | 8.0.0 | Approved | Jul 10 | https://www.atis.org/docstore/default.aspx |
|------|---------------------------|-------|----------|--------|---|

Release 9

| | | | | | |
|------|---------------------------|-------|----------|--------|---|
| ATIS | ATIS.3GPP.44.004V900-2014 | 9.0.0 | Approved | May 14 | https://www.atis.org/docstore/default.aspx |
|------|---------------------------|-------|----------|--------|---|

5.4.2.3.23 TS 44.005**Data Link (DL) Layer; General aspects**

This document provides a general description of the Data Link layer for the 200 kHz channel.

| SDO (2) | Document No. | Version | Status | Issued date | Location (1) |
|-------------------|--|----------------|---------------|--------------------|---|
| Release 99 | | | | | |
| ATIS | T1.3GPP.04.05V802-2003 | 8.0.2 | Approved | Dec 03 | https://www.atis.org/docstore/default.aspx |
| TIA | Incl. in TIA/EIA-136-370 as GSM 04.05 (ETSI EN 300 937) | 0 | Published | Apr 01 | http://www.tiaonline.org/standards/strategic-initiatives/code-division-multiple-access |
| Release 5 | | | | | |
| ATIS | ATIS.3GPP.44.005V501-2005 | 5.0.1 | Approved | Apr 05 | https://www.atis.org/docstore/default.aspx |
| TIA | Incl. in TIA/EIA-136-370 as ETSI TS 144 005 v5.0.1 | A-1(E) | Published | Jun 05 | http://www.tiaonline.org/standards/strategic-initiatives/code-division-multiple-access |
| Release 6 | | | | | |
| ATIS | ATIS.3GPP.44.005V610-2006 | 6.1.0 | Approved | Apr 06 | https://www.atis.org/docstore/default.aspx |
| TIA | Incl. in TIA/EIA-136-370 as ETSI TS 144 005 v6.1.0 | B | Approved | Apr 06 | http://www.tiaonline.org/standards/strategic-initiatives/code-division-multiple-access |
| Release 7 | | | | | |
| ATIS | ATIS.3GPP.44.005V720-2009 | 7.2.0 | Approved | Jul 09 | https://www.atis.org/docstore/default.aspx |
| TIA | Incl. in TIA/EIA-136-370 as ETSI TS 144 005 v7.2.0 | C-1(E) | Approved | Dec 09 | http://www.tiaonline.org/standards/strategic-initiatives/code-division-multiple-access |
| Release 8 | | | | | |
| ATIS | ATIS.3GPP.44.005V810-2010 | 8.1.0 | Approved | Jul 10 | https://www.atis.org/docstore/default.aspx |
| TIA | Incl. in TIA/EIA-136-370 as ETSI TS 144 005 v8.1.0 | D-1(E) | Published | Aug 12 | http://www.tiaonline.org/standards/strategic-initiatives/code-division-multiple-access |
| Release 9 | | | | | |
| ATIS | ATIS.3GPP.44.005V900-2014 | 9.0.0 | Approved | May 14 | https://www.atis.org/docstore/default.aspx |
| TIA | Incl. in TIA/EIA-136-370 as ETSI TS 144 005 v9.0.0 | E | Approved | Aug 14 | http://www.tiaonline.org/standards/strategic-initiatives/code-division-multiple-access |

5.4.2.3.24 TS 44.006**Mobile Station - Base station system (MS û BSS) interface; Data link (DL) layer specification**

This document provides the specification of the data link layer for the mobile station -Base station system (MS-BSS) interface for the 200 kHz channel.

| SDO (2) | Document No. | Version | Status | Issued date | Location (1) |
|-------------------|---------------------------|---------|----------|-------------|---|
| Release 99 | | | | | |
| ATIS | T1.3GPP.04.06V840-2009 | 8.4.0 | Approved | Jul 09 | https://www.atis.org/docstore/default.aspx |
| Release 5 | | | | | |
| ATIS | ATIS.3GPP.44.006V520-2009 | 5.2.0 | Approved | Jul 09 | https://www.atis.org/docstore/default.aspx |
| Release 6 | | | | | |
| ATIS | ATIS.3GPP.44.006V680-2009 | 6.8.0 | Approved | Jul 09 | https://www.atis.org/docstore/default.aspx |
| Release 7 | | | | | |
| ATIS | ATIS.3GPP.44.006V720-2009 | 7.2.0 | Approved | Jul 09 | https://www.atis.org/docstore/default.aspx |
| Release 8 | | | | | |
| ATIS | ATIS.3GPP.44.006V800-2010 | 8.0.0 | Approved | Jul 10 | https://www.atis.org/docstore/default.aspx |
| Release 9 | | | | | |
| ATIS | ATIS.3GPP.44.006V910-2014 | 9.1.0 | Approved | May 14 | https://www.atis.org/docstore/default.aspx |

5.4.2.3.25 TS 44.018

Mobile radio interface layer 3 specification; Radio Resource Control (RRC) protocol

This document provides a description of the Radio Resource Control protocol of the layer 3 Mobile Radio interface for the 200 kHz channel.

| SDO (2) | Document No. | Version | Status | Issued date | Location (1) |
|-------------------|--|---------|-----------|-------------|---|
| Release 99 | | | | | |
| ATIS | ATIS.3GPP.04.18V8270-2007 | 8.27.0 | Approved | Oct 07 | https://www.atis.org/docstore/default.aspx |
| TIA | Incl. in TIA/EIA-136-370 as GSM 04.18 (ETSI TS 101 503) | 0 | Published | Apr 01 | http://www.tiaonline.org/standards/strategic-initiatives/code-division-multiple-access |
| Release 5 | | | | | |
| ATIS | ATIS.3GPP.44.018V5230-2009 | 5.23.0 | Approved | Jul 09 | https://www.atis.org/docstore/default.aspx |
| TIA | Incl. in TIA/EIA-136-370 as ETSI TS 144 018 v5.18.0 | A-1(E) | Published | Jun 05 | http://www.tiaonline.org/standards/strategic-initiatives/code-division-multiple-access |
| Release 6 | | | | | |
| ATIS | ATIS.3GPP.44.018V6240-2009 | 6.24.0 | Approved | Jul 09 | https://www.atis.org/docstore/default.aspx |
| TIA | Incl. in TIA/EIA-136-370 as ETSI TS 144 018 v6.22.0 | B-1(E) | Approved | Jan 08 | http://www.tiaonline.org/standards/strategic-initiatives/code-division-multiple-access |
| Release 7 | | | | | |
| ATIS | ATIS.3GPP.44.018V7210-2014 | 7.21.0 | Approved | May 14 | https://www.atis.org/docstore/default.aspx |
| TIA | Incl. in TIA/EIA-136-370 as ETSI TS 144 018 v7.16.0 | C-1(E) | Approved | Dec 09 | http://www.tiaonline.org/standards/strategic-initiatives/code-division-multiple-access |
| Release 8 | | | | | |
| ATIS | ATIS.3GPP.44.018V8170-2014 | 8.17.0 | Approved | May 14 | https://www.atis.org/docstore/default.aspx |
| TIA | Incl. in TIA/EIA-136-370 as ETSI TS 144 018 v8.13.0 | D-1(E) | Published | Aug 12 | http://www.tiaonline.org/standards/strategic-initiatives/code-division-multiple-access |
| Release 9 | | | | | |

| | | | | | |
|------|--|--------|----------|--------|---|
| ATIS | ATIS.3GPP.44.018V9140-2014 | 9.14.0 | Approved | May 14 | https://www.atis.org/docstore/default.aspx |
| TIA | Incl. in TIA/EIA-136-370 as ETSI TS 144 018 v9.14.0 | E | Approved | Aug 14 | http://www.tiaonline.org/standards/strategic-initiatives/code-division-multiple-access |

5.4.2.3.26 TS 44.021

Rate Adaption on the Mobile Station - Base station system (MS-BSS) interface

This document provides the specification of rate adaption on the mobile station - Base station system (MS-BSS) interface for the 200 kHz channel.

| SDO (2) | Document No. | Version | Status | Issued date | Location (1) |
|-------------------|---------------------------|---------|----------|-------------|---|
| Release 99 | | | | | |
| ATIS | T1.3GPP.04.21V830-2003 | 8.3.0 | Approved | Dec 03 | https://www.atis.org/docstore/default.aspx |
| Release 5 | | | | | |
| ATIS | ATIS.3GPP.44.021V520-2005 | 5.2.0 | Approved | Apr 05 | https://www.atis.org/docstore/default.aspx |
| Release 6 | | | | | |
| ATIS | ATIS.3GPP.44.021V600-2006 | 6.0.0 | Approved | Apr 06 | https://www.atis.org/docstore/default.aspx |
| Release 7 | | | | | |
| ATIS | ATIS.3GPP.44.021V700-2008 | 7.0.0 | Approved | Oct 08 | https://www.atis.org/docstore/default.aspx |
| Release 8 | | | | | |
| ATIS | ATIS.3GPP.44.021V800-2010 | 8.0.0 | Approved | Jul 10 | https://www.atis.org/docstore/default.aspx |
| Release 9 | | | | | |
| ATIS | ATIS.3GPP.44.021V900-2014 | 9.0.0 | Approved | May 14 | https://www.atis.org/docstore/default.aspx |

5.4.2.3.27 TS 44.031

Location Services (LCS); Mobile station (MS) - Serving Mobile Location Centre (SMLC) Radio Resource LCS protocol (RRLP)

This document provides the specification of the radio resource LCS protocol for the 200 kHz channel.

| SDO (2) | Document No. | Version | Status | Issued date | Location (1) |
|-------------------|--|---------|-----------|-------------|---|
| Release 99 | | | | | |
| ATIS | ATIS.3GPP.04.31V8180-2007 | 8.18.0 | Approved | Oct 07 | https://www.atis.org/docstore/default.aspx |
| TIA | Incl. in TIA/EIA-136-740 as GSM 04.31 (ETSI TS 101 527) | 0 | Published | Apr 01 | http://www.tiaonline.org/standards/strategic-initiatives/code-division-multiple-access |
| Release 5 | | | | | |
| ATIS | ATIS.3GPP.44.031V5140-2007 | 5.14.0 | Approved | Oct 07 | https://www.atis.org/docstore/default.aspx |
| Release 6 | | | | | |
| ATIS | ATIS.3GPP.44.031V690-2007 | 6.9.0 | Approved | Oct 07 | https://www.atis.org/docstore/default.aspx |
| Release 7 | | | | | |
| ATIS | ATIS.3GPP.44.031V7140-2014 | 7.14.0 | Approved | May 14 | https://www.atis.org/docstore/default.aspx |
| Release 8 | | | | | |
| ATIS | ATIS.3GPP.44.031V870-2014 | 8.7.0 | Approved | May 14 | https://www.atis.org/docstore/default.aspx |

Release 9

| | | | | | |
|------|---------------------------|-------|----------|--------|---|
| ATIS | ATIS.3GPP.44.031V930-2014 | 9.3.0 | Approved | May 14 | https://www.atis.org/docstore/default.aspx |
|------|---------------------------|-------|----------|--------|---|

5.4.2.3.28 TS 44.035**Location Services (LCS); Broadcast network assistance for Enhanced Observed Time Difference (E-OTD) and Global Positioning System (GPS) positioning methods**

This document provides the specification of broadcast assistance data for location services.

| SDO (2) | Document No. | Version | Status | Issued date | Location (1) |
|-------------------|--|---------|-----------|-------------|---|
| Release 99 | | | | | |
| ATIS | T1.3GPP.04.35V841-2003 | 8.4.1 | Approved | Dec 03 | https://www.atis.org/docstore/default.aspx |
| TIA | Incl. in TIA/EIA-136-740 as GSM 04.35 (ETSI TS 101 528) | 0 | Published | Apr 01 | http://www.tiaonline.org/standards/strategic-initiatives/code-division-multiple-access |
| Release 5 | | | | | |
| ATIS | ATIS.3GPP.44.035V501-2005 | 5.0.1 | Approved | Apr 05 | https://www.atis.org/docstore/default.aspx |
| Release 6 | | | | | |
| ATIS | ATIS.3GPP.44.035V600-2006 | 6.0.0 | Approved | Apr 06 | https://www.atis.org/docstore/default.aspx |
| Release 7 | | | | | |
| ATIS | ATIS.3GPP.44.035V700-2008 | 7.0.0 | Approved | Oct 08 | https://www.atis.org/docstore/default.aspx |
| Release 8 | | | | | |
| ATIS | ATIS.3GPP.44.035V800-2010 | 8.0.0 | Approved | Jul 10 | https://www.atis.org/docstore/default.aspx |
| Release 9 | | | | | |
| ATIS | ATIS.3GPP.44.035V900-2014 | 9.0.0 | Approved | May 14 | https://www.atis.org/docstore/default.aspx |

5.4.2.3.29 TS 44.068**Group Call control (GCC) protocol**

This document defines the protocol for the group call function.

| SDO (2) | Document No. | Version | Status | Issued date | Location (1) |
|-------------------|---------------------------|---------|----------|-------------|---|
| Release 99 | | | | | |
| ATIS | T1.3GPP.04.68V810-2003 | 8.1.0 | Approved | Dec 03 | https://www.atis.org/docstore/default.aspx |
| Release 5 | | | | | |
| ATIS | T1.3GPP.44.068V501-2003 | 5.0.1 | Approved | Dec 03 | https://www.atis.org/docstore/default.aspx |
| Release 6 | | | | | |
| ATIS | ATIS.3GPP.44.068V600-2006 | 6.0.0 | Approved | Apr 06 | https://www.atis.org/docstore/default.aspx |
| Release 7 | | | | | |
| ATIS | ATIS.3GPP.44.068V720-2008 | 7.2.0 | Approved | Oct 08 | https://www.atis.org/docstore/default.aspx |
| Release 8 | | | | | |
| ATIS | ATIS.3GPP.44.068V800-2010 | 8.0.0 | Approved | Jul 10 | https://www.atis.org/docstore/default.aspx |

Release 9

| | | | | | |
|------|---------------------------|-------|----------|--------|---|
| ATIS | ATIS.3GPP.44.068V900-2014 | 9.0.0 | Approved | May 14 | https://www.atis.org/docstore/default.aspx |
|------|---------------------------|-------|----------|--------|---|

5.4.2.3.30 TS 44.069**Broadcast Call control (BCC) protocol**

This document defines the protocol for the Broadcast Call Control (BCC) protocol used by the Voice Broadcast Call Service (VBCS) on the radio interface.

| SDO (2) | Document No. | Version | Status | Issued date | Location (1) |
|-------------------|---------------------------|---------|----------|-------------|---|
| Release 99 | | | | | |
| ATIS | T1.3GPP.04.69V810-2003 | 8.1.0 | Approved | Dec 03 | https://www.atis.org/docstore/default.aspx |
| Release 5 | | | | | |
| ATIS | T1.3GPP.44.069V500-2003 | 5.0.0 | Approved | Dec 03 | https://www.atis.org/docstore/default.aspx |
| Release 6 | | | | | |
| ATIS | ATIS.3GPP.44.069V600-2006 | 6.0.0 | Approved | Apr 06 | https://www.atis.org/docstore/default.aspx |
| Release 7 | | | | | |
| ATIS | ATIS.3GPP.44.069V700-2008 | 7.0.0 | Approved | Oct 08 | https://www.atis.org/docstore/default.aspx |
| Release 8 | | | | | |
| ATIS | ATIS.3GPP.44.069V800-2010 | 8.0.0 | Approved | Jul 10 | https://www.atis.org/docstore/default.aspx |
| Release 9 | | | | | |
| ATIS | ATIS.3GPP.44.069V900-2014 | 9.0.0 | Approved | May 14 | https://www.atis.org/docstore/default.aspx |

5.4.2.3.31 TS 44.071**Location Services (LCS); Mobile radio interface layer 3 LCS specification**

This document provides the location services layer 3 specification for the 200 kHz channel.

| SDO (2) | Document No. | Version | Status | Issued date | Location (1) |
|-------------------|---------------------------|---------|----------|-------------|---|
| Release 99 | | | | | |
| ATIS | T1.3GPP.04.71V840-2003 | 8.4.0 | Approved | Dec 03 | https://www.atis.org/docstore/default.aspx |
| Release 5 | | | | | |
| ATIS | ATIS.3GPP.44.071V501-2005 | 5.0.1 | Approved | Apr 05 | https://www.atis.org/docstore/default.aspx |
| Release 6 | | | | | |
| ATIS | ATIS.3GPP.44.071V600-2006 | 6.0.0 | Approved | Apr 06 | https://www.atis.org/docstore/default.aspx |
| Release 7 | | | | | |
| ATIS | ATIS.3GPP.44.071V700-2008 | 7.0.0 | Approved | Oct 08 | https://www.atis.org/docstore/default.aspx |
| Release 8 | | | | | |
| ATIS | ATIS.3GPP.44.071V800-2010 | 8.0.0 | Approved | Jul 10 | https://www.atis.org/docstore/default.aspx |
| Release 9 | | | | | |
| ATIS | ATIS.3GPP.44.071V900-2014 | 9.0.0 | Approved | May 14 | https://www.atis.org/docstore/default.aspx |

5.4.2.3.32 TS 43.010**GSM Public Land Mobile Network (PLMN) connection types**

This document describes the connection types for the alternate circuit switched component.

| SDO (2) | Document No. | Version | Status | Issued date | Location (1) |
|-------------------|----------------------------|---------|----------|-------------|---|
| Release 99 | | | | | |
| ATIS | T1.3GPP. 03.10V830-2003 | 8.3.0 | Approved | Dec 03 | https://www.atis.org/docstore/default.aspx |
| Release 5 | | | | | |
| ATIS | ATIS.3GPP. 43.010V520-2005 | 5.2.0 | Approved | Apr 05 | https://www.atis.org/docstore/default.aspx |
| Release 6 | | | | | |
| ATIS | ATIS.3GPP. 43.010V600-2006 | 6.0.0 | Approved | Apr 06 | https://www.atis.org/docstore/default.aspx |
| Release 7 | | | | | |
| ATIS | ATIS.3GPP. 43.010V700-2008 | 7.0.0 | Approved | Oct 08 | https://www.atis.org/docstore/default.aspx |
| Release 8 | | | | | |
| ATIS | ATIS.3GPP. 43.010V800-2010 | 8.0.0 | Approved | Jul 10 | https://www.atis.org/docstore/default.aspx |
| Release 9 | | | | | |
| ATIS | ATIS.3GPP. 43.010V800-2014 | 9.0.0 | Approved | May 14 | https://www.atis.org/docstore/default.aspx |

5.4.2.3.33 TS 43.013**Discontinuous Reception (DRX) in the GSM system**

This document describes the discontinuous reception function for the alternate circuit switched component.

| SDO (2) | Document No. | Version | Status | Issued date | Location (1) |
|-------------------|---------------------------|---------|----------|-------------|---|
| Release 99 | | | | | |
| ATIS | T1.3GPP.03.13V800-2003 | 8.0.0 | Approved | Dec 03 | https://www.atis.org/docstore/default.aspx |
| Release 5 | | | | | |
| ATIS | T1.3GPP.43.013V500-2003 | 5.0.0 | Approved | Dec 03 | https://www.atis.org/docstore/default.aspx |
| Release 6 | | | | | |
| ATIS | ATIS.3GPP.43.013V600-2006 | 6.0.0 | Approved | Apr 06 | https://www.atis.org/docstore/default.aspx |
| Release 7 | | | | | |
| ATIS | ATIS.3GPP.43.013V700-2008 | 7.0.0 | Approved | Oct 08 | https://www.atis.org/docstore/default.aspx |
| Release 8 | | | | | |
| ATIS | ATIS.3GPP.43.013V800-2010 | 8.0.0 | Approved | Jul 10 | https://www.atis.org/docstore/default.aspx |
| Release 9 | | | | | |
| ATIS | ATIS.3GPP.43.013V900-2014 | 9.0.0 | Approved | May 14 | https://www.atis.org/docstore/default.aspx |

5.4.2.3.34 TS 43.022**Functions related to Mobile Station (MS) in idle mode and group receive mode**

This document describes the mobile station functions during idle or group receive mode for the alternate circuit switched component.

| SDO (2) | Document No. | Version | Status | Issued date | Location (1) |
|-------------------|---------------------------|---------|----------|-------------|---|
| Release 99 | | | | | |
| ATIS | T1.3GPP.03.22V870-2003 | 8.7.0 | Approved | Dec 03 | https://www.atis.org/docstore/default.aspx |
| Release 5 | | | | | |
| ATIS | ATIS.3GPP.43.022V520-2006 | 5.2.0 | Approved | Apr 06 | https://www.atis.org/docstore/default.aspx |
| Release 6 | | | | | |
| ATIS | ATIS.3GPP.43.022V630-2006 | 6.3.0 | Approved | Apr 06 | https://www.atis.org/docstore/default.aspx |
| Release 7 | | | | | |
| ATIS | ATIS.3GPP.43.022V720-2008 | 7.2.0 | Approved | Oct 08 | https://www.atis.org/docstore/default.aspx |
| Release 8 | | | | | |
| ATIS | ATIS.3GPP.43.022V830-2012 | 8.3.0 | Approved | Jul 12 | https://www.atis.org/docstore/default.aspx |
| Release 9 | | | | | |
| ATIS | ATIS.3GPP.43.022V920-2014 | 9.2.0 | Approved | May 14 | https://www.atis.org/docstore/default.aspx |

5.4.2.3.35 TR 43.055

Dual Transfer Mode (DTM); Stage 2

This document describes the dual mode operation of a mobile station in both packet and circuit mode.

| SDO (2) | Document No. | Version | Status | Issued date | Location (1) |
|-------------------|----------------------------|---------|----------|-------------|---|
| Release 99 | | | | | |
| ATIS | ATIS.3GPP.03.55V840-2006 | 8.4.0 | Approved | Apr 06 | https://www.atis.org/docstore/default.aspx |
| Release 5 | | | | | |
| ATIS | ATIS.3GPP.43.055V550-2006 | 5.5.0 | Approved | Apr 06 | https://www.atis.org/docstore/default.aspx |
| Release 6 | | | | | |
| ATIS | ATIS.3GPP.43.055V6150-2007 | 6.15.0 | Approved | Oct 07 | https://www.atis.org/docstore/default.aspx |
| Release 7 | | | | | |
| ATIS | ATIS.3GPP.43.055V760-2008 | 7.6.0 | Approved | Oct 08 | https://www.atis.org/docstore/default.aspx |
| Release 8 | | | | | |
| ATIS | ATIS.3GPP.43.055V810-2010 | 8.1.0 | Approved | Jul 10 | https://www.atis.org/docstore/default.aspx |
| Release 9 | | | | | |
| ATIS | ATIS.3GPP.43.055V900-2014 | 9.0.0 | Approved | May 14 | https://www.atis.org/docstore/default.aspx |

5.4.2.3.36 TS 24.007

Mobile radio interface signalling Layer 3; General Aspects

This document provides a description of the signalling aspects of the layer 3 Mobile Radio interface for the 200 kHz channel.

| SDO (2) | Document No. | Version | Status | Issued date | Location (1) |
|-------------------|--------------|---------|--------|-------------|--------------|
| Release 99 | | | | | |

| | | | | | |
|------------------|---|--------|-----------|--------|---|
| ATIS | ATIS.3GPP.24.007V3100-2005 | 3.10.0 | Approved | Apr 05 | https://www.atis.org/docstore/default.aspx |
| TIA | Incl. in TIA/EIA-136-376 as ETSI TS 124 007 v3.3.1 | 0 | Published | Apr 01 | http://www.tiaonline.org/standards/strategic-initiatives/code-division-multiple-access |
| Release 5 | | | | | |
| ATIS | ATIS.3GPP.24.007V540-2006 | 5.4.0 | Approved | Apr 06 | https://www.atis.org/docstore/default.aspx |
| TIA | Incl. in TIA/EIA-136-376 as ETSI TS 124 007 v5.3.0 | A-1(E) | Published | Jun 05 | http://www.tiaonline.org/standards/strategic-initiatives/code-division-multiple-access |
| Release 6 | | | | | |
| ATIS | ATIS.3GPP.24.007V650-2006 | 6.5.0 | Approved | Apr 06 | https://www.atis.org/docstore/default.aspx |
| TIA | Incl. in TIA/EIA-136-376 as ETSI TS 124 007 v6.5.0 | B | Approved | Apr 06 | http://www.tiaonline.org/standards/strategic-initiatives/code-division-multiple-access |
| Release 7 | | | | | |
| ATIS | ATIS.3GPP.24.007V700-2008 | 7.0.0 | Approved | Oct 08 | https://www.atis.org/docstore/default.aspx |
| TIA | Incl. in TIA/EIA-136-376 as ETSI TS 124 007 v7.0.0 | C | Approved | Oct 08 | http://www.tiaonline.org/standards/strategic-initiatives/code-division-multiple-access |
| Release 8 | | | | | |
| ATIS | ATIS.3GPP.24.007V820-2010 | 8.2.0 | Approved | Jul 10 | https://www.atis.org/docstore/default.aspx |
| TIA | Incl. in TIA/EIA-136-376 as ETSI TS 124 007 v8.2.0 | D-1(E) | Published | Aug 12 | http://www.tiaonline.org/standards/strategic-initiatives/code-division-multiple-access |
| Release 9 | | | | | |
| ATIS | ATIS.3GPP.24.007V900-2014 | 9.0.0 | Approved | May 14 | https://www.atis.org/docstore/default.aspx |
| TIA | Incl. in TIA/EIA-136-376 as ETSI TS 124 007 v9.0.0 | E | Approved | Aug 14 | http://www.tiaonline.org/standards/strategic-initiatives/code-division-multiple-access |

5.4.2.3.37 TS 24.008

Mobile radio interface Layer 3 specification; Core Network protocols; Stage 3

This document provides a description of the Core network protocols of the layer 3 Mobile Radio interface for the 200 kHz channel.

| SDO (2) | Document No. | Version | Status | Issued date | Location (1) |
|-------------------|--|---------|-----------|-------------|---|
| Release 99 | | | | | |
| ATIS | ATIS.3GPP.24.008V3200-2006 | 3.20.0 | Approved | Apr 06 | https://www.atis.org/docstore/default.aspx |
| TIA | Incl. in TIA/EIA-136-376 as ETSI TS 124 008 v3.3.1 | 0 | Published | Apr 01 | http://www.tiaonline.org/standards/strategic-initiatives/code-division-multiple-access |
| Release 5 | | | | | |
| ATIS | ATIS.3GPP.24.008V5160-2007 | 5.16.0 | Approved | Oct 07 | https://www.atis.org/docstore/default.aspx |
| TIA | Incl. in TIA/EIA-136-376 as ETSI TS 124 008 v5.12.0 | A-1(E) | Published | Jun 05 | http://www.tiaonline.org/standards/strategic-initiatives/code-division-multiple-access |
| Release 6 | | | | | |
| ATIS | ATIS.3GPP.24.008V6200-2010 | 6.20.0 | Approved | Jul 10 | https://www.atis.org/docstore/default.aspx |
| TIA | Incl. in TIA/EIA-136-376 as ETSI TS 124 008 v6.16.0 | B-1(E) | Approved | Jan 08 | http://www.tiaonline.org/standards/strategic-initiatives/code-division-multiple-access |

1110

ITU-R M.1457-12

Release 7

| | | | | | |
|------|--|--------|----------|--------|---|
| ATIS | ATIS.3GPP.24.008V7150-2010 | 7.15.0 | Approved | Jul 10 | https://www.atis.org/docstore/default.aspx |
| TIA | Incl. in TIA/EIA-136-376 as ETSI TS 124 008 v7.14.0 | C-1(E) | Approved | Dec 09 | http://www.tiaonline.org/standards/strategic-initiatives/code-division-multiple-access |

Release 8

| | | | | | |
|------|--|--------|-----------|--------|---|
| ATIS | ATIS.3GPP.24.008V8190-2014 | 8.19.0 | Approved | May 14 | https://www.atis.org/docstore/default.aspx |
| TIA | Incl. in TIA/EIA-136-376 as ETSI TS 124 008 v8.14.0 | D-1(E) | Published | Aug 12 | http://www.tiaonline.org/standards/strategic-initiatives/code-division-multiple-access |

Release 9

| | | | | | |
|------|--|--------|----------|--------|---|
| ATIS | ATIS.3GPP.24.008V9120-2014 | 9.12.0 | Approved | May 14 | https://www.atis.org/docstore/default.aspx |
| TIA | Incl. in TIA/EIA-136-376 as ETSI TS 124 008 v9.12.0 | E | Approved | Aug 14 | http://www.tiaonline.org/standards/strategic-initiatives/code-division-multiple-access |

5.4.2.3.38 TS 24.010

Mobile radio interface Layer 3, Supplementary services specification; General aspects

This document provides a general description of the supplementary services of the layer 3 Mobile Radio interface for the 200 kHz channel.

| SDO (2) | Document No. | Version | Status | Issued date | Location (1) |
|-------------------|---------------------------|---------|----------|-------------|---|
| Release 99 | | | | | |
| ATIS | T1.3GPP.24.010V320-2002 | 3.2.0 | Approved | May 02 | https://www.atis.org/docstore/default.aspx |
| Release 5 | | | | | |
| ATIS | T1.3GPP.24.010V500-2003 | 5.0.0 | Approved | Mar 03 | https://www.atis.org/docstore/default.aspx |
| Release 6 | | | | | |
| ATIS | ATIS.3GPP.24.010V600-2006 | 6.0.0 | Approved | Apr 06 | https://www.atis.org/docstore/default.aspx |
| Release 7 | | | | | |
| ATIS | ATIS.3GPP.24.010V700-2007 | 7.0.0 | Approved | Oct 07 | https://www.atis.org/docstore/default.aspx |
| Release 8 | | | | | |
| ATIS | ATIS.3GPP.24.010V800-2009 | 8.0.0 | Approved | Jul 09 | https://www.atis.org/docstore/default.aspx |
| Release 9 | | | | | |
| ATIS | ATIS.3GPP.24.010V900-2014 | 9.0.0 | Approved | May 14 | https://www.atis.org/docstore/default.aspx |

5.4.2.3.39 TS 24.022

Radio Link Protocol (RLP) for circuit switched bearer and teleservices

This document provides a general description of the radio link protocol for the circuit switched bearer and teleservices for the 200 kHz channel.

| SDO (2) | Document No. | Version | Status | Issued date | Location (1) |
|-------------------|---------------------------|---------|----------|-------------|---|
| Release 99 | | | | | |
| ATIS | ATIS.3GPP.24.022V350-2005 | 3.5.0 | Approved | Apr 05 | https://www.atis.org/docstore/default.aspx |
| Release 5 | | | | | |

| | | | | | |
|------------------|---------------------------|-------|----------|--------|---|
| ATIS | ATIS.3GPP.24.022V550-2005 | 5.5.0 | Approved | Apr 05 | https://www.atis.org/docstore/default.aspx |
| Release 6 | | | | | |
| ATIS | ATIS.3GPP.24.022V600-2006 | 6.0.0 | Approved | Apr 06 | https://www.atis.org/docstore/default.aspx |
| Release 7 | | | | | |
| ATIS | ATIS.3GPP.24.022V700-2007 | 7.0.0 | Approved | Oct 07 | https://www.atis.org/docstore/default.aspx |
| Release 8 | | | | | |
| ATIS | ATIS.3GPP.24.022V800-2009 | 8.0.0 | Approved | Jul 09 | https://www.atis.org/docstore/default.aspx |
| Release 9 | | | | | |
| ATIS | ATIS.3GPP.24.022V900-2014 | 9.0.0 | Approved | May 14 | https://www.atis.org/docstore/default.aspx |

5.4.2.3.40 TR 45.902

Flexible Layer One (FLO)

This document contains an overview of Flexible Layer One (FLO), its architecture and its impact on the GERAN radio protocol stacks.

| SDO (2) | Document No. | Version | Status | Issued date | Location (1) |
|------------------|---|---------|-----------|-------------|---|
| Release 6 | | | | | |
| ATIS | ATIS.3GPP.45.902V680-2006 | 6.8.0 | Approved | Apr 06 | https://www.atis.org/docstore/default.aspx |
| TIA | Incl. in TIA/EIA-136-370 as ETSI TR 145 902 v6.8.0 | B | Approved | Apr 06 | http://www.tiaonline.org/standards/strategic-initiatives/code-division-multiple-access |
| Release 7 | | | | | |
| ATIS | ATIS.3GPP.45.902V700-2008 | 7.0.0 | Approved | Oct 08 | https://www.atis.org/docstore/default.aspx |
| TIA | Incl. in TIA/EIA-136-370 as ETSI TR 145 902 v7.0.0 | C | Approved | Oct 08 | http://www.tiaonline.org/standards/strategic-initiatives/code-division-multiple-access |
| Release 8 | | | | | |
| ATIS | ATIS.3GPP.45.902V800-2010 | 8.0.0 | Approved | Jul 10 | https://www.atis.org/docstore/default.aspx |
| TIA | Incl. in TIA/EIA-136-370 as ETSI TR 145 902 v8.0.0 | D-1(E) | Published | Aug 12 | http://www.tiaonline.org/standards/strategic-initiatives/code-division-multiple-access |
| Release 9 | | | | | |
| ATIS | ATIS.3GPP.45.902V900-2014 | 9.0.0 | Approved | May 14 | https://www.atis.org/docstore/default.aspx |
| TIA | Incl. in TIA/EIA-136-370 as ETSI TR 145 902 v9.0.0 | E | Approved | Aug 14 | http://www.tiaonline.org/standards/strategic-initiatives/code-division-multiple-access |

5.4.2.3.41 TS 43.026

Multiband operation of GSM/DCS 1800 by a single operator

This document contains an overview of operation of GERAN at 900 MHz and 1800 MHz by a single operator.

| SDO (2) | Document No. | Version | Status | Issued date | Location (1) |
|------------------|---------------------------|---------|----------|-------------|---|
| Release 6 | | | | | |
| ATIS | ATIS.3GPP.43.026V600-2008 | 6.0.0 | Approved | Oct 08 | https://www.atis.org/docstore/default.aspx |

1112

ITU-R M.1457-12

Release 7

| | | | | | |
|------|---------------------------|-------|----------|--------|---|
| ATIS | ATIS.3GPP.43.026V700-2008 | 7.0.0 | Approved | Oct 08 | https://www.atis.org/docstore/default.aspx |
|------|---------------------------|-------|----------|--------|---|

Release 8

| | | | | | |
|------|---------------------------|-------|----------|--------|---|
| ATIS | ATIS.3GPP.43.026V800-2010 | 8.0.0 | Approved | Jul 10 | https://www.atis.org/docstore/default.aspx |
|------|---------------------------|-------|----------|--------|---|

Release 9

| | | | | | |
|------|---------------------------|-------|----------|--------|---|
| ATIS | ATIS.3GPP.43.026V900-2014 | 9.0.0 | Approved | May 14 | https://www.atis.org/docstore/default.aspx |
|------|---------------------------|-------|----------|--------|---|

5.4.2.3.42 TS 43.059

Functional stage 2 description of Location Services (LCS) in GERAN

This document contains a stage 2 description of the location services provided in GERAN networks.

| SDO (2) | Document No. | Version | Status | Issued date | Location (1) |
|------------------|---------------------------|---------|----------|-------------|---|
| Release 6 | | | | | |
| ATIS | ATIS.3GPP.43.059V660-2008 | 6.6.0 | Approved | Oct 08 | https://www.atis.org/docstore/default.aspx |
| Release 7 | | | | | |
| ATIS | ATIS.3GPP.43.059V730-2008 | 7.3.0 | Approved | Oct 08 | https://www.atis.org/docstore/default.aspx |
| Release 8 | | | | | |
| ATIS | ATIS.3GPP.43.059V810-2010 | 8.1.0 | Approved | Jul 10 | https://www.atis.org/docstore/default.aspx |
| Release 9 | | | | | |
| ATIS | ATIS.3GPP.43.059V900-2014 | 9.0.0 | Approved | May 14 | https://www.atis.org/docstore/default.aspx |

5.4.2.3.43 TS 37.113

E-UTRA, UTRA and GSM/EDGE; Multi-Standard Radio (MSR) Base Station (BS) radio transmission and reception

This document establishes the minimum RF characteristics of E-UTRA, UTRA and GSM/EDGE Multi-Standard Radio (MSR) Base Station (BS). Requirements for multi-RAT and single-RAT operation of MSR BS are covered.

| SDO (2) | Document No. | Version | Status | Issued date | Location (1) |
|------------------|---------------------------|---------|----------|-------------|---|
| Release 9 | | | | | |
| ATIS | ATIS.3GPP.37.113V920-2014 | 9.2.0 | Approved | May 14 | https://www.atis.org/docstore/default.aspx |

5.4.2.4 Minimum performance

5.4.2.4.1 136-210

ACELP minimum performance

This part details the BS minimum performance requirements for the ACELP vocoder.

| SDO (2) | Document No. | Version | Status | Issued date | Location (1) |
|---------|--------------|---------|--------|-------------|--------------|
|---------|--------------|---------|--------|-------------|--------------|

| | | | | | |
|-----|-----------------|---|-----------|--------|---|
| TIA | TIA/EIA-136-210 | A | Published | Apr 01 | http://www.tiaonline.org/standards/strategic-initiatives/code-division-multiple-access |
|-----|-----------------|---|-----------|--------|---|

5.4.2.4.2 136-220

VSELP minimum performance

This part details the minimum performance requirements for the VSELP vocoder. This standard includes a software distribution.

| SDO (2) | Document No. | Version | Status | Issued date | Location (1) |
|---------|-----------------|---------|-----------|-------------|---|
| TIA | TIA/EIA-136-220 | 0 | Published | Mar 00 | http://www.tiaonline.org/standards/strategic-initiatives/code-division-multiple-access |

5.4.2.4.3 136-230

US1 minimum performance

This part details the BS minimum performance requirements for the US1 vocoder. This standard includes a software distribution.

| SDO (2) | Document No. | Version | Status | Issued date | Location (1) |
|---------|-----------------|---------|-----------|-------------|---|
| TIA | TIA/EIA-136-230 | 0 | Published | Mar 00 | http://www.tiaonline.org/standards/strategic-initiatives/code-division-multiple-access |

5.4.2.4.4 136-240

Minimum Performance for Adaptive Multi-rate Codec

This part details the minimum performance requirements for the Adaptive Multi-Rate voice coder. This standard includes a software distribution.

| SDO (2) | Document No. | Version | Status | Issued date | Location (1) |
|---------|-----------------|---------|-----------|-------------|---|
| TIA | TIA/EIA-136-240 | 0 | Published | Apr 01 | http://www.tiaonline.org/standards/strategic-initiatives/code-division-multiple-access |

5.4.2.4.5 136-250

VAD Minimum Performance

This part details the minimum performance requirements for the Voice Activity Detection feature. This standard includes a software distribution.

| SDO (2) | Document No. | Version | Status | Issued date | Location (1) |
|---------|-----------------|---------|-----------|-------------|---|
| TIA | TIA/EIA-136-250 | 0 | Published | Apr 01 | http://www.tiaonline.org/standards/strategic-initiatives/code-division-multiple-access |

5.4.2.4.6 136-270

Mobile stations minimum performance

This part details definitions, methods of measurement, and MS minimum performance requirements operating 136+ bearers.

| SDO (2) | Document No. | Version | Status | Issued date | Location (1) |
|---------|-----------------|---------|-----------|-------------|---|
| TIA | TIA/EIA-136-270 | C | Published | Apr 01 | http://www.tiaonline.org/standards/strategic-initiatives/code-division-multiple-access |

5.4.2.4.7 136-271

Mobile stations minimum performance for Global Circulation

This part details definitions, methods of measurement, and minimum performance requirements for 2 GHz Wireless1 mobile stations. Unless otherwise stated, these requirements apply only to digital operation, within the regulatory mandates of the European Union "Electromagnetic compatibility and Radio spectrum Matters (ERM); Base stations (BS) and user equipment (UE) for IMT-2000 Third Generation cellular networks; Part 8: Harmonized EN for IMT-2000 TDMA Single Carrier (UWC 136) (UE)" covering essential requirements of article 3.2 of the R&TTE Directive.

| SDO (2) | Document No. | Version | Status | Issued date | Location (1) |
|---------|-----------------|---------|-----------|-------------|---|
| TIA | TIA/EIA-136-271 | 0 | Published | Apr 02 | http://www.tiaonline.org/standards/strategic-initiatives/code-division-multiple-access |

5.4.2.4.8 136-280

Base stations minimum performance

This part details definitions, methods of measurement, and BS minimum performance requirements operating 136+ bearers.

| SDO (2) | Document No. | Version | Status | Issued date | Location (1) |
|---------|-----------------|---------|-----------|-------------|---|
| TIA | TIA/EIA-136-280 | D | Published | Apr 02 | http://www.tiaonline.org/standards/strategic-initiatives/code-division-multiple-access |

5.4.2.4.9 136-290

RF Minimum performance requirements for 136HS Outdoor and 136HS Indoor bearers

This part details the RF minimum performance requirements for BS and MS operating 136HS/136EHS Outdoor and 136HS Indoor bearers.

| SDO (2) | Document No. | Version | Status | Issued date | Location (1) |
|---------|-----------------|---------|-----------|-------------|---|
| TIA | TIA/EIA-136-290 | A | Published | Apr 01 | http://www.tiaonline.org/standards/strategic-initiatives/code-division-multiple-access |

5.4.2.4.10 TS 23.110

Universal Mobile Telecommunications System (UMTS) access stratum; Services and functions

This document specifies the services provided by the Access Stratum to the rest of the GERAN/UMTS systems.

| SDO (2) | Document No. | Version | Status | Issued date | Location (1) |
|---------|--------------|---------|--------|-------------|--------------|
|---------|--------------|---------|--------|-------------|--------------|

| Release 5 | | | | | |
|------------------|---------------------------|-------|----------|--------|---|
| ATIS | ATIS.3GPP.23.110V500-2005 | 5.0.0 | Approved | Apr 05 | https://www.atis.org/docstore/default.aspx |
| Release 6 | | | | | |
| ATIS | ATIS.3GPP.23.110V600-2006 | 6.0.0 | Approved | Apr 06 | https://www.atis.org/docstore/default.aspx |
| Release 7 | | | | | |
| ATIS | ATIS.3GPP.23.110V700-2007 | 7.0.0 | Approved | Oct 07 | https://www.atis.org/docstore/default.aspx |
| Release 8 | | | | | |
| ATIS | ATIS.3GPP.23.110V800-2009 | 8.0.0 | Approved | Jul 09 | https://www.atis.org/docstore/default.aspx |
| Release 9 | | | | | |
| ATIS | ATIS.3GPP.23.110V900-2014 | 9.0.0 | Approved | May 14 | https://www.atis.org/docstore/default.aspx |

5.4.2.4.11 TS 23.122

Non-Access-Stratum (NAS) Functions related to Mobile Station (MS) in idle mode

This part details the Non-Access Stratum functional requirements of the Mobile station in idle mode.

| SDO (2) | Document No. | Version | Status | Issued date | Location (1) |
|-------------------|--|---------|-----------|-------------|---|
| Release 99 | | | | | |
| ATIS | ATIS.3GPP.23.122V3100-2005 | 3.10.0 | Approved | Apr 05 | https://www.atis.org/docstore/default.aspx |
| TIA | Incl. in TIA/EIA-136-370 as ETSI TS 123 122 v3.2.0 | 0 | Published | Apr 01 | http://www.tiaonline.org/standards/strategic-initiatives/code-division-multiple-access |
| Release 5 | | | | | |
| ATIS | ATIS.3GPP.23.122V530-2005 | 5.3.0 | Approved | Apr 05 | https://www.atis.org/docstore/default.aspx |
| TIA | Incl. in TIA/EIA-136-370 as ETSI TS 123 122 v5.3.0 | A-1(E) | Published | Jun 05 | http://www.tiaonline.org/standards/strategic-initiatives/code-division-multiple-access |
| Release 6 | | | | | |
| ATIS | ATIS.3GPP.23.122V650-2006 | 6.5.0 | Approved | Apr 05 | https://www.atis.org/docstore/default.aspx |
| TIA | Incl. in TIA/EIA-136-370 as ETSI TS 123 122 v6.5.0 | B | Approved | Apr 06 | http://www.tiaonline.org/standards/strategic-initiatives/code-division-multiple-access |
| Release 7 | | | | | |
| ATIS | ATIS.3GPP.23.122V7121-2008 | 7.12.1 | Approved | Oct 08 | https://www.atis.org/docstore/default.aspx |
| TIA | Incl. in TIA/EIA-136-370 as ETSI TS 123 122 v7.12.1 | C | Approved | Oct 08 | http://www.tiaonline.org/standards/strategic-initiatives/code-division-multiple-access |
| Release 8 | | | | | |
| ATIS | ATIS.3GPP.23.122V8120-2012 | 8.12.0 | Approved | Jul 12 | https://www.atis.org/docstore/default.aspx |
| TIA | Incl. in TIA/EIA-136-370 as ETSI TS 123 122 v8.12.0 | D-1(E) | Published | Aug 12 | http://www.tiaonline.org/standards/strategic-initiatives/code-division-multiple-access |
| Release 9 | | | | | |
| ATIS | ATIS.3GPP.23.122V960-2014 | 9.6.0 | Approved | May 14 | https://www.atis.org/docstore/default.aspx |
| TIA | Incl. in TIA/EIA-136-370 as ETSI TS 123 122 v9.6.0 | E | Approved | Aug 14 | http://www.tiaonline.org/standards/strategic-initiatives/code-division-multiple-access |

5.4.2.4.12 TS 27.060**Packet Domain; Mobile Station (MS) supporting Packet Switched services**

This part details the packet domain functional requirements of the Mobile station.

| SDO (2) | Document No. | Version | Status | Issued date | Location (1) |
|-------------------|--|---------|-----------|-------------|---|
| Release 99 | | | | | |
| ATIS | ATIS.3GPP.27.060V380-2005 | 3.8.0 | Approved | Apr 05 | https://www.atis.org/docstore/default.aspx |
| TIA | Incl. in TIA/EIA-136-370 as ETSI TS 127 060 v3.4.0 | 0 | Published | Apr 01 | http://www.tiaonline.org/standards/strategic-initiatives/code-division-multiple-access |
| Release 5 | | | | | |
| ATIS | ATIS.3GPP.27.060V560-2005 | 5.6.0 | Approved | Apr 05 | https://www.atis.org/docstore/default.aspx |
| TIA | Incl. in TIA/EIA-136-370 as ETSI TS 127 060 v5.6.0 | A-1(E) | Published | Jun 05 | http://www.tiaonline.org/standards/strategic-initiatives/code-division-multiple-access |
| Release 6 | | | | | |
| ATIS | ATIS.3GPP.27.060V600-2006 | 6.0.0 | Approved | Apr 06 | https://www.atis.org/docstore/default.aspx |
| TIA | Incl. in TIA/EIA-136-370 as ETSI TS 127 060 v6.0.0 | B | Approved | Apr 06 | http://www.tiaonline.org/standards/strategic-initiatives/code-division-multiple-access |
| Release 7 | | | | | |
| ATIS | ATIS.3GPP.27.060V700-2008 | 7.0.0 | Approved | Oct 08 | https://www.atis.org/docstore/default.aspx |
| TIA | Incl. in TIA/EIA-136-370 as ETSI TS 127 060 v7.0.0 | C | Approved | Oct 08 | http://www.tiaonline.org/standards/strategic-initiatives/code-division-multiple-access |
| Release 8 | | | | | |
| ATIS | ATIS.3GPP.27.060V810-2012 | 8.1.0 | Approved | Jul 12 | https://www.atis.org/docstore/default.aspx |
| TIA | Incl. in TIA/EIA-136-370 as ETSI TS 127 060 v8.1.0 | D-1(E) | Published | Aug 12 | http://www.tiaonline.org/standards/strategic-initiatives/code-division-multiple-access |
| Release 9 | | | | | |
| ATIS | ATIS.3GPP.27.060V910-2014 | 9.1.0 | Approved | May 14 | https://www.atis.org/docstore/default.aspx |
| TIA | Incl. in TIA/EIA-136-370 as ETSI TS 127 060 v9.1.0 | E | Approved | Aug 14 | http://www.tiaonline.org/standards/strategic-initiatives/code-division-multiple-access |

5.4.2.4.13 TS 11.17**SIM conformance test specification**

This part details the conformance test requirements of the Subscriber Identity Module. Standalone SIM functionality is not specified beyond Release 4. For the latest available information see section 5.4.2.13.42.

| SDO (2) | Document No. | Version | Status | Issued date | Location (1) |
|-------------------|-----------------------------|---------|-----------|-------------|---|
| Release 98 | | | | | |
| TIA | Incl. in TIA/EIA-136-030 as | A | Published | Apr 02 | http://www.tiaonline.org/standards/strategic-initiatives/code-division-multiple-access |

GSM 11.17 (ETSI TS 301 086)

Release 99

| | | | | | |
|------|--------------------------|-------|----------|--------|---|
| ATIS | ATIS.3GPP.11.17V820-2006 | 8.2.0 | Approved | Apr 06 | https://www.atis.org/docstore/default.aspx |
|------|--------------------------|-------|----------|--------|---|

5.4.2.4.14 TR 34.902**Derivation of test tolerances for multi-cell Radio Resource Management (RRM) conformance tests**

This document specifies a method used to derive the test tolerances and relating them to the measurement uncertainties of the test system.

| SDO (2) | Document No. | Version | Status | Issued date | Location (1) |
|------------------|---------------------------|---------|----------|-------------|---|
| Release 5 | | | | | |
| ATIS | ATIS.3GPP.34.902V530-2008 | 5.3.0 | Approved | Oct 08 | https://www.atis.org/docstore/default.aspx |
| Release 6 | | | | | |
| ATIS | ATIS.3GPP.34.902V610-2014 | 6.1.0 | Approved | May 14 | https://www.atis.org/docstore/default.aspx |
| Release 7 | | | | | |
| ATIS | ATIS.3GPP.34.902V710-2014 | 7.1.0 | Approved | May 14 | https://www.atis.org/docstore/default.aspx |
| Release 8 | | | | | |
| ATIS | ATIS.3GPP.34.902V810-2014 | 8.1.0 | Approved | May 14 | https://www.atis.org/docstore/default.aspx |
| Release 9 | | | | | |
| ATIS | ATIS.3GPP.34.902V950-2014 | 9.5.0 | Approved | May 14 | https://www.atis.org/docstore/default.aspx |

5.4.2.4.15 TS 43.058**Characterization, test methods, and quality assessment for handsfree Mobile Stations (MSs)**

This document describes the testing and characterization of handsfree devices for MSs.

| SDO (2) | Document No. | Version | Status | Issued date | Location (1) |
|-------------------|---------------------------|---------|----------|-------------|---|
| Release 99 | | | | | |
| ATIS | T1.3GPP.03.58V800-2003 | 8.0.0 | Approved | Dec 03 | https://www.atis.org/docstore/default.aspx |
| Release 5 | | | | | |
| ATIS | T1.3GPP.43.058V500-2003 | 5.0.0 | Approved | Dec 03 | https://www.atis.org/docstore/default.aspx |
| Release 6 | | | | | |
| ATIS | ATIS.3GPP.43.058V600-2006 | 6.0.0 | Approved | Apr 06 | https://www.atis.org/docstore/default.aspx |
| Release 7 | | | | | |
| ATIS | ATIS.3GPP.43.058V700-2008 | 7.0.0 | Approved | Oct 08 | https://www.atis.org/docstore/default.aspx |
| Release 8 | | | | | |
| ATIS | ATIS.3GPP.43.058V800-2010 | 8.0.0 | Approved | Jul 10 | https://www.atis.org/docstore/default.aspx |
| Release 9 | | | | | |
| ATIS | ATIS.3GPP.43.058V900-2014 | 9.0.0 | Approved | May 14 | https://www.atis.org/docstore/default.aspx |

5.4.2.4.16 TS 44.013

Performance requirements on mobile radio interface

This part details the performance requirements of the Mobile station radio interface.

| SDO (2) | Document No. | Version | Status | Issued date | Location (1) |
|-------------------|---------------------------|---------|----------|-------------|---|
| Release 99 | | | | | |
| ATIS | T1.3GPP.04.13V801-2003 | 8.0.1 | Approved | Dec 03 | https://www.atis.org/docstore/default.aspx |
| Release 5 | | | | | |
| ATIS | T1.3GPP.44.013V500-2003 | 5.0.0 | Approved | Dec 03 | https://www.atis.org/docstore/default.aspx |
| Release 6 | | | | | |
| ATIS | ATIS.3GPP.44.013V600-2006 | 6.0.0 | Approved | Apr 06 | https://www.atis.org/docstore/default.aspx |
| Release 7 | | | | | |
| ATIS | ATIS.3GPP.44.013V700-2008 | 7.0.0 | Approved | Oct 08 | https://www.atis.org/docstore/default.aspx |
| Release 8 | | | | | |
| ATIS | ATIS.3GPP.44.013V800-2010 | 8.0.0 | Approved | Jul 10 | https://www.atis.org/docstore/default.aspx |
| Release 9 | | | | | |
| ATIS | ATIS.3GPP.44.013V900-2014 | 9.0.0 | Approved | May 14 | https://www.atis.org/docstore/default.aspx |

5.4.2.4.17 TS 44.014

Individual equipment type requirements and interworking; Special conformance testing functions

This part details the packet domain functional requirements of the Mobile station.

| SDO (2) | Document No. | Version | Status | Issued date | Location (1) |
|-------------------|--|---------|-----------|-------------|---|
| Release 99 | | | | | |
| ATIS | ATIS.3GPP.04.14V860-2005 | 8.6.0 | Approved | Apr 05 | https://www.atis.org/docstore/default.aspx |
| TIA | Incl. in TIA/EIA-136-290 as GSM 04.14 (ETSI TS 101 293) | A | Published | Apr 01 | http://www.tiaonline.org/standards/strategic-initiatives/code-division-multiple-access |
| Release 5 | | | | | |
| ATIS | ATIS.3GPP.44.014V530-2005 | 5.3.0 | Approved | Apr 05 | https://www.atis.org/docstore/default.aspx |
| Release 6 | | | | | |
| ATIS | ATIS.3GPP.44.014V640-2007 | 6.4.0 | Approved | Oct 07 | https://www.atis.org/docstore/default.aspx |
| Release 7 | | | | | |
| ATIS | ATIS.3GPP.44.014V730-2010 | 7.3.0 | Approved | Jul 10 | https://www.atis.org/docstore/default.aspx |
| Release 8 | | | | | |
| ATIS | ATIS.3GPP.44.014V810-2010 | 8.1.0 | Approved | Jul 10 | https://www.atis.org/docstore/default.aspx |
| Release 9 | | | | | |
| ATIS | ATIS.3GPP.44.014V900-2010 | 9.0.0 | Approved | May 14 | https://www.atis.org/docstore/default.aspx |

5.4.2.4.18 TS 45.015

Release independent Downlink Advanced Receiver Performance (DARP); Implementation guidelines

This document specifies requirements on MSs supporting Downlink Advanced Receiver Performance (DARP) that are independent of release. However, in order to implement an MS that conforms to a particular release but supports DARP, which is specified in a later release, it is necessary to specify some extra requirements.

| SDO (2) | Document No. | Version | Status | Issued date | Location (1) |
|------------------|---------------------------|---------|----------|-------------|---|
| Release 6 | | | | | |
| ATIS | ATIS.3GPP.45.015V610-2008 | 6.1.0 | Approved | Oct 08 | https://www.atis.org/docstore/default.aspx |
| Release 7 | | | | | |
| ATIS | ATIS.3GPP.45.015V700-2008 | 7.0.0 | Approved | Oct 08 | https://www.atis.org/docstore/default.aspx |
| Release 8 | | | | | |
| ATIS | ATIS.3GPP.45.015V800-2010 | 8.0.0 | Approved | Jul 10 | https://www.atis.org/docstore/default.aspx |
| Release 9 | | | | | |
| ATIS | ATIS.3GPP.45.015V900-2014 | 9.0.0 | Approved | May 14 | https://www.atis.org/docstore/default.aspx |

5.4.2.4.19 TR 45.050

Background for Radio Frequency (RF) requirements

This part gives the background information for the specification of the radio frequency requirements in 45.005.

| SDO (2) | Document No. | Version | Status | Issued date | Location (1) |
|-------------------|--|---------|-----------|-------------|---|
| Release 99 | | | | | |
| ATIS | T1.3GPP.05.50V820-2003 | 8.2.0 | Approved | Dec 03 | https://www.atis.org/docstore/default.aspx |
| TIA | Incl. in TIA/EIA-136-290 as GSM 05.50 (ETSI TR 101 115) | A | Published | Apr 01 | http://www.tiaonline.org/standards/strategic-initiatives/code-division-multiple-access |
| Release 5 | | | | | |
| ATIS | T1.3GPP.45.050V501-2003 | 5.0.1 | Approved | Dec 03 | https://www.atis.org/docstore/default.aspx |
| Release 6 | | | | | |
| ATIS | ATIS.3GPP.45.050V621-2006 | 6.2.1 | Approved | Apr 06 | https://www.atis.org/docstore/default.aspx |
| Release 7 | | | | | |
| ATIS | ATIS.3GPP.45.050V700-2008 | 7.0.0 | Approved | Oct 08 | https://www.atis.org/docstore/default.aspx |
| Release 8 | | | | | |
| ATIS | ATIS.3GPP.45.050V810-2010 | 8.1.0 | Approved | Jul 10 | https://www.atis.org/docstore/default.aspx |
| Release 9 | | | | | |
| ATIS | ATIS.3GPP.45.050V900-2014 | 9.0.0 | Approved | May 14 | https://www.atis.org/docstore/default.aspx |

5.4.2.4.20 TR 45.903

Feasibility study on Single Antenna Interference Cancellation (SAIC) for GSM networks

This document contains the results of a feasibility study analyzing single antenna interference cancellation.

| SDO (2) | Document No. | Version | Status | Issued date | Location (1) |
|---------|--------------|---------|--------|-------------|--------------|
|---------|--------------|---------|--------|-------------|--------------|

1120

ITU-R M.1457-12

Release 6

| | | | | | |
|------|---------------------------|-------|----------|--------|---|
| ATIS | ATIS.3GPP.45.903V601-2008 | 6.0.1 | Approved | Oct 08 | https://www.atis.org/docstore/default.aspx |
|------|---------------------------|-------|----------|--------|---|

Release 7

| | | | | | |
|------|---------------------------|-------|----------|--------|---|
| ATIS | ATIS.3GPP.45.903V701-2008 | 7.0.1 | Approved | Oct 08 | https://www.atis.org/docstore/default.aspx |
|------|---------------------------|-------|----------|--------|---|

Release 8

| | | | | | |
|------|---------------------------|-------|----------|--------|---|
| ATIS | ATIS.3GPP.45.903V800-2010 | 8.0.0 | Approved | Jul 10 | https://www.atis.org/docstore/default.aspx |
|------|---------------------------|-------|----------|--------|---|

Release 9

| | | | | | |
|------|---------------------------|-------|----------|--------|---|
| ATIS | ATIS.3GPP.45.903V900-2014 | 9.0.0 | Approved | May 14 | https://www.atis.org/docstore/default.aspx |
|------|---------------------------|-------|----------|--------|---|

5.4.2.4.21 TS 51.010-1

Mobile Station (MS) conformance specification; Part 1á; Conformance specification

This document provides a general description of the radio transmission and reception for the 200 kHz channel.

| SDO (2) | Document No. | Version | Status | Issued date | Location (1) |
|-------------------|---|---------|-----------|-------------|---|
| Release 99 | | | | | |
| ATIS | T1.3GPP.11.10-1V830-2003 | 8.3.0 | Approved | Dec 03 | https://www.atis.org/docstore/default.aspx |
| TIA | Incl. in TIA/EIA-136-290 as GSM 11.10-1 (ETSI EN 300 607- 1 v8.1.1) | A | Published | Apr 01 | http://www.tiaonline.org/standards/strategic-initiatives/code-division-multiple-access |
| Release 5 | | | | | |
| ATIS | T1.3GPP.51.010-1V5110-2005 | 5.11.0 | Approved | Apr 05 | https://www.atis.org/docstore/default.aspx |
| Release 6 | | | | | |
| ATIS | ATIS.3GPP.51.010-1V670-2007 | 6.7.0 | Approved | Oct 07 | https://www.atis.org/docstore/default.aspx |
| Release 7 | | | | | |
| ATIS | ATIS.3GPP.51.010-1V7120-2009 | 7.12.0 | Approved | Jul 09 | https://www.atis.org/docstore/default.aspx |
| Release 8 | | | | | |
| ATIS | ATIS.3GPP.51.010-1V840-2010 | 8.4.0 | Approved | Jul 10 | https://www.atis.org/docstore/default.aspx |
| Release 9 | | | | | |
| ATIS | ATIS.3GPP.51.010-1V9100-2014 | 9.10.0 | Approved | May 14 | https://www.atis.org/docstore/default.aspx |

5.4.2.4.22 TS 51.010-2

Mobile Station (MS) conformance specification; Part 2; Protocol Implementation Conformance Statement (PICS) proforma specification

This document provides mobile station protocol implementation conformance statement (PICS) proforma.

| SDO (2) | Document No. | Version | Status | Issued date | Location (1) |
|------------------|------------------------------|---------|----------|-------------|---|
| Release 5 | | | | | |
| ATIS | ATIS.3GPP.51.010-2V5110-2005 | 5.11.0 | Approved | Apr 05 | https://www.atis.org/docstore/default.aspx |
| Release 6 | | | | | |
| ATIS | ATIS.3GPP.51.010-2V660-2007 | 6.6.0 | Approved | Oct 07 | https://www.atis.org/docstore/default.aspx |

Release 7

| | | | | | |
|------|------------------------------|--------|----------|--------|---|
| ATIS | ATIS.3GPP.51.010-2V7120-2009 | 7.12.0 | Approved | Jul 09 | https://www.atis.org/docstore/default.aspx |
|------|------------------------------|--------|----------|--------|---|

Release 8

| | | | | | |
|------|-----------------------------|-------|----------|--------|---|
| ATIS | ATIS.3GPP.51.010-2V840-2010 | 8.4.0 | Approved | Jul 10 | https://www.atis.org/docstore/default.aspx |
|------|-----------------------------|-------|----------|--------|---|

Release 9

| | | | | | |
|------|------------------------------|--------|----------|--------|---|
| ATIS | ATIS.3GPP.51.010-2V9100-2014 | 9.10.0 | Approved | May 14 | https://www.atis.org/docstore/default.aspx |
|------|------------------------------|--------|----------|--------|---|

5.4.2.4.23 TS 51.010-3**Mobile Station (MS) conformance specification; Part 3: Layer 3 (L3) Abstract Test Suite (ATS)**

This part details the Layer 3 conformance test abstract test suite.

| SDO (2) | Document No. | Version | Status | Issued date | Location (1) |
|------------------|-----------------------------|---------|----------|-------------|---|
| Release 5 | | | | | |
| ATIS | ATIS.3GPP.51.010-3V540-2005 | 5.4.0 | Approved | Apr 05 | https://www.atis.org/docstore/default.aspx |
| Release 6 | | | | | |
| ATIS | ATIS.3GPP.51.010-3V630-2006 | 6.3.0 | Approved | Apr 06 | https://www.atis.org/docstore/default.aspx |

5.4.2.4.24 TS 11.10-4**Mobile Station conformance specification; Part 4; SIM Application Toolkit conformance specification**

This document provides a conformance specification for the SIM Application toolkit. Standalone SIM functionality is not specified beyond Release 4. For the latest available information see section 5.4.2.13.40.

| SDO (2) | Document No. | Version | Status | Issued date | Location (1) |
|-------------------|-----------------------------|---------|----------|-------------|---|
| Release 99 | | | | | |
| ATIS | ATIS.3GPP.11.10-4V8150-2007 | 8.15.0 | Approved | Oct 07 | https://www.atis.org/docstore/default.aspx |

5.4.2.4.25 TS 51.010-5**Mobile Station (MS) conformance specification; Part 5: Inter-Radio-Access-Technology (RAT) (GERAN/UTRAN) interaction Abstract Test Suite (ATS)**

This document details the conformance test abstract test suite for GERAN/UTRAN systems interaction.

| SDO (2) | Document No. | Version | Status | Issued date | Location (1) |
|------------------|------------------------------|---------|----------|-------------|---|
| Release 6 | | | | | |
| ATIS | ATIS.3GPP.51.010-5V660-2007 | 6.6.0 | Approved | Oct 07 | https://www.atis.org/docstore/default.aspx |
| Release 7 | | | | | |
| ATIS | ATIS.3GPP.51.010-5V7121-2009 | 7.12.1 | Approved | Jul 09 | https://www.atis.org/docstore/default.aspx |
| Release 8 | | | | | |
| ATIS | ATIS.3GPP.51.010-5V840-2010 | 8.4.0 | Approved | Jul 10 | https://www.atis.org/docstore/default.aspx |

Release 9

ATIS ATIS.3GPP.51.010-5V9100-2014 9.10.0 Approved May 14 <https://www.atis.org/docstore/default.aspx>

5.4.2.4.26 TS 51.010-7**Mobile Station (MS) conformance specification; Part 7: Location Services (LCS) test scenarios and assistance data**

This document details the orbital model information, the assistance data and the assistance data files that shall be used for all LCS Assisted GPS and Assisted GNSS test cases defined in subclause 70 of TS 51.010-1.

| SDO (2) | Document No. | Version | Status | Issued date | Location (1) |
|---------|--------------|---------|--------|-------------|--------------|
|---------|--------------|---------|--------|-------------|--------------|

Release 9

| | | | | | |
|------|-----------------------------|-------|----------|--------|---|
| ATIS | ATIS.3GPP.51.010-7V970-2014 | 9.7.0 | Approved | May 14 | https://www.atis.org/docstore/default.aspx |
|------|-----------------------------|-------|----------|--------|---|

5.4.2.4.27 TS 51.021**Base Station System (BSS) equipment specification; Radio aspects**

This document details the radio aspects of the BSS equipment specification.

| SDO (2) | Document No. | Version | Status | Issued date | Location (1) |
|---------|--------------|---------|--------|-------------|--------------|
|---------|--------------|---------|--------|-------------|--------------|

Release 99

| | | | | | |
|------|---|--------|-----------|--------|---|
| ATIS | ATIS.3GPP.11.21V8110-2009 | 8.11.0 | Approved | Jul 09 | https://www.atis.org/docstore/default.aspx |
| TIA | Incl. in TIA/EIA-136-290 as GSM 11.21 (ETSI EN 301 087) | A | Published | Apr 01 | http://www.tiaonline.org/standards/strategic-initiatives/code-division-multiple-access |

Release 5

| | | | | | |
|------|---------------------------|-------|----------|--------|---|
| ATIS | ATIS.3GPP.51.021V560-2012 | 5.6.0 | Approved | Jul 12 | https://www.atis.org/docstore/default.aspx |
|------|---------------------------|-------|----------|--------|---|

Release 6

| | | | | | |
|------|---------------------------|-------|----------|--------|---|
| ATIS | ATIS.3GPP.51.021V650-2012 | 6.5.0 | Approved | Jul 12 | https://www.atis.org/docstore/default.aspx |
|------|---------------------------|-------|----------|--------|---|

Release 7

| | | | | | |
|------|----------------------------|--------|----------|--------|---|
| ATIS | ATIS.3GPP.51.021V7100-2012 | 7.10.0 | Approved | Jul 12 | https://www.atis.org/docstore/default.aspx |
|------|----------------------------|--------|----------|--------|---|

Release 8

| | | | | | |
|------|----------------------------|--------|----------|--------|---|
| ATIS | ATIS.3GPP.51.021V8130-2014 | 8.13.0 | Approved | May 14 | https://www.atis.org/docstore/default.aspx |
|------|----------------------------|--------|----------|--------|---|

Release 9

| | | | | | |
|------|----------------------------|--------|----------|--------|---|
| ATIS | ATIS.3GPP.51.021V9100-2014 | 9.14.0 | Approved | May 14 | https://www.atis.org/docstore/default.aspx |
|------|----------------------------|--------|----------|--------|---|

5.4.2.4.28 TS 26.077**Minimum performance requirements for noise suppresser Application to the Adaptive Multi-Rate (AMR) speech encoder**

This document details the minimum performance requirements for the noise suppression function of the AMR speech codec.

| SDO (2) | Document No. | Version | Status | Issued date | Location (1) |
|---------|--------------|---------|--------|-------------|--------------|
|---------|--------------|---------|--------|-------------|--------------|

Release 6

| | | | | | |
|------|---------------------------|-------|----------|--------|---|
| ATIS | ATIS.3GPP.26.077V600-2008 | 6.0.0 | Approved | Oct 08 | https://www.atis.org/docstore/default.aspx |
|------|---------------------------|-------|----------|--------|---|

Release 7

| | | | | | |
|------|---------------------------|-------|----------|--------|---|
| ATIS | ATIS.3GPP.26.077V700-2008 | 7.0.0 | Approved | Oct 08 | https://www.atis.org/docstore/default.aspx |
|------|---------------------------|-------|----------|--------|---|

Release 8

| | | | | | |
|------|---------------------------|-------|----------|--------|---|
| ATIS | ATIS.3GPP.26.077V800-2010 | 8.0.0 | Approved | Jul 10 | https://www.atis.org/docstore/default.aspx |
|------|---------------------------|-------|----------|--------|---|

Release 9

| | | | | | |
|------|---------------------------|-------|----------|--------|---|
| ATIS | ATIS.3GPP.26.077V900-2014 | 9.0.0 | Approved | May 14 | https://www.atis.org/docstore/default.aspx |
|------|---------------------------|-------|----------|--------|---|

5.4.2.4.29 TS 34.114**User Equipment (UE)/Mobile Station (MS) Over the Air (OTA) antenna performance; Conformance testing**

This document describes the methods to be used in order to assess the radiated performances of the user equipment/mobile stations (UE/MS) in active mode in both the up- and the downlink.

| SDO (2) | Document No. | Version | Status | Issued date | Location (1) |
|------------------|---------------------------|---------|----------|-------------|---|
| Release 7 | | | | | |
| ATIS | ATIS.3GPP.34.114V700-2009 | 7.0.0 | Approved | Jul 09 | https://www.atis.org/docstore/default.aspx |
| Release 8 | | | | | |
| ATIS | ATIS.3GPP.34.114V840-2012 | 8.4.0 | Approved | Jul 12 | https://www.atis.org/docstore/default.aspx |
| Release 9 | | | | | |
| ATIS | ATIS.3GPP.34.114V930-2014 | 9.3.0 | Approved | May 14 | https://www.atis.org/docstore/default.aspx |

5.4.2.4.30 TS 51.026**Base Station System (BSS) equipment specification; Part 4: Repeaters**

This document details the BSS equipment specification for repeaters.

| SDO (2) | Document No. | Version | Status | Issued date | Location (1) |
|------------------|---------------------------|---------|----------|-------------|---|
| Release 6 | | | | | |
| ATIS | ATIS.3GPP.51.026V610-2008 | 6.1.0 | Approved | Oct 08 | https://www.atis.org/docstore/default.aspx |
| Release 7 | | | | | |
| ATIS | ATIS.3GPP.51.026V730-2010 | 7.3.0 | Approved | Jul 10 | https://www.atis.org/docstore/default.aspx |
| Release 8 | | | | | |
| ATIS | ATIS.3GPP.51.026V830-2010 | 8.3.0 | Approved | Jul 10 | https://www.atis.org/docstore/default.aspx |
| Release 9 | | | | | |
| ATIS | ATIS.3GPP.51.026V940-2014 | 9.4.0 | Approved | May 14 | https://www.atis.org/docstore/default.aspx |

5.4.2.4.31 TS 37.113

5.4.2.4.31 TS 37.113**E-UTRA, UTRA and GSM/EDGE; Multi-Standard Radio (MSR) Base Station (BS) Electromagnetic Compatibility (EMC)**

This document details the assessment of E-UTRA, UTRA and GSM/EDGE Multi-Standard Radio (MSR) Base Stations and associated ancillary equipment in respect of Electromagnetic Compatibility (EMC).

| SDO (2) | Document No. | Version | Status | Issued date | Location (1) |
|------------------|---------------------------|---------|----------|-------------|---|
| Release 9 | | | | | |
| ATIS | ATIS.3GPP.37.113V920-2014 | 9.2.0 | Approved | May 14 | https://www.atis.org/docstore/default.aspx |

5.4.2.4.32 TS 37.141**E-UTRA, UTRA and GSM/EDGE; Multi-Standard Radio (MSR) Base Station (BS) conformance testing**

This document specifies the Radio Frequency (RF) test methods and conformance requirements for E-UTRA, UTRA and GSM/EDGE Multi-Standard Radio (MSR) Base Station (BS). These have been derived from, and are consistent with the E-UTRA, UTRA and GSM/EDGE MSR BS specification defined in 3GPP TS 37.104.

| SDO (2) | Document No. | Version | Status | Issued date | Location (1) |
|------------------|----------------------------|---------|----------|-------------|---|
| Release 9 | | | | | |
| ATIS | ATIS.3GPP.37.141V9120-2014 | 9.12.0 | Approved | May 14 | https://www.atis.org/docstore/default.aspx |

5.4.2.4.33 TR 37.900**Radio Frequency (RF) requirements for Multi-Standard and Multiple Radio Access Technology (Multi-RAT) Base Station (BS)**

This document identifies relevant scenarios and the RF requirements specification that is applicable to Multi-Standard Radio (MSR) Base Station with multiple carriers and/or multiple 3GPP Radio Access Technologies (RAT).

| SDO (2) | Document No. | Version | Status | Issued date | Location (1) |
|------------------|---------------------------|---------|----------|-------------|---|
| Release 9 | | | | | |
| ATIS | ATIS.3GPP.37.900V901-2014 | 9.0.1 | Approved | May 14 | https://www.atis.org/docstore/default.aspx |

5.4.2.5 Data services**5.4.2.5.1 136-310****Radio link Protocol 1**

This part specifies a radio link protocol (RLP1) that provides error recovery functions allowing Layer 3 functions to asynchronously transport data octets across a TDMA radio interface utilizing an underlying half-rate, full-rate, double-rate, or triple-rate digital traffic channel as specified in TIA-136-131, 132, and 133.

| SDO (2) | Document No. | Version | Status | Issued date | Location (1) |
|---------|--------------|---------|--------|-------------|--------------|
|---------|--------------|---------|--------|-------------|--------------|

| | | | | | |
|-----|-----------------|---|-----------|--------|---|
| TIA | TIA/EIA-136-310 | A | Published | Mar 00 | http://www.tiaonline.org/standards/strategic-initiatives/code-division-multiple-access |
|-----|-----------------|---|-----------|--------|---|

5.4.2.5.2 136-320

Radio link Protocol 2

This part specifies a radio link protocol (RLP2) that allows Layer 3 functions to isochronously transport data octets across a TDMA radio interface utilizing an underlying half-rate, full-rate, double-rate, or triple-rate digital traffic channel as specified in TIA-136-131, 132, and 133.

| SDO (2) | Document No. | Version | Status | Issued date | Location (1) |
|---------|-----------------|---------|-----------|-------------|---|
| TIA | TIA/EIA-136-320 | 0 | Published | Mar 00 | http://www.tiaonline.org/standards/strategic-initiatives/code-division-multiple-access |

5.4.2.5.3 136-330

Packet-data service - Overview

This part provides an overview of the GPRS-136 packet data service. An overview of the network reference model, BS and MS protocols, channel types, and options are provided. In addition, an overview of the 30 kHz 136+ bearer is provided.

| SDO (2) | Document No. | Version | Status | Issued date | Location (1) |
|---------|-----------------|---------|----------|-------------|---|
| TIA | TIA/EIA-136-330 | 0-1(E) | Approved | Apr 09 | http://www.tiaonline.org/standards/strategic-initiatives/code-division-multiple-access |

5.4.2.5.4 136-331

Packet-data service - 136+ physical layer

This part provides the 30 kHz 136+ physical layer specification including slot formats, frame structure, modulation, and channel coding.

| SDO (2) | Document No. | Version | Status | Issued date | Location (1) |
|---------|-----------------|---------|-----------|-------------|---|
| TIA | TIA/EIA-136-331 | 0 | Published | Mar 00 | http://www.tiaonline.org/standards/strategic-initiatives/code-division-multiple-access |

5.4.2.5.5 136-332

Packet-data service - 136+ medium access control

This part provides the 30 kHz 136+ packet data MAC layer specification including MAC PDUs, transaction management, error recovery, and random access control.

| SDO (2) | Document No. | Version | Status | Issued date | Location (1) |
|---------|-----------------|---------|-----------|-------------|---|
| TIA | TIA/EIA-136-332 | 0 | Published | Mar 00 | http://www.tiaonline.org/standards/strategic-initiatives/code-division-multiple-access |

5.4.2.5.6 136-333**Packet-data service - Logical-link control**

This part defines the logical link control (LLC) layer protocol to be used for packet data transfer between the MS and serving GPRS support node (SGSN).

| SDO (2) | Document No. | Version | Status | Issued date | Location (1) |
|---------|-----------------|---------|-----------|-------------|---|
| TIA | TIA/EIA-136-333 | 0 | Published | Mar 00 | http://www.tiaonline.org/standards/strategic-initiatives/code-division-multiple-access |

5.4.2.5.7 136-334**Packet-data service - Subnetwork dependent convergence protocol**

This part provides the description of the subnetwork dependent convergence protocol (SNDCP). The user of the services provided by SNDCP is a packet data protocol (PDP) at the MS or the relay at the serving GPRS support node (SGSN).

| SDO (2) | Document No. | Version | Status | Issued date | Location (1) |
|---------|-----------------|---------|-----------|-------------|---|
| TIA | TIA/EIA-136-334 | 0 | Published | Mar 00 | http://www.tiaonline.org/standards/strategic-initiatives/code-division-multiple-access |

5.4.2.5.8 136-335**Packet-data service - Radio resource management**

This part specifies the radio resource management in a GPRS-136 packet data system. The entities in a GPRS-136 MS and BS that are used to achieve the goals of radio resource management are the radio resource management entity (RRME) and the broadcast management entity (BME) and are both described in this part.

| SDO (2) | Document No. | Version | Status | Issued date | Location (1) |
|---------|-----------------|---------|----------|-------------|---|
| TIA | TIA/EIA-136-335 | 0-1(E) | Approved | Apr 09 | http://www.tiaonline.org/standards/strategic-initiatives/code-division-multiple-access |

5.4.2.5.9 136-336**Packet-data service - Mobility management**

This part describes GPRS-136 mobility management and functions such as location tracking and user-identity confidentiality. The GPRS-136 packet data network combines TIA/EIA-41 circuit switched network elements with GPRS network elements.

| SDO (2) | Document No. | Version | Status | Issued date | Location (1) |
|---------|-----------------|---------|-----------|-------------|---|
| TIA | TIA/EIA-136-336 | 0 | Published | Mar 00 | http://www.tiaonline.org/standards/strategic-initiatives/code-division-multiple-access |

5.4.2.5.10 136-337**Packet-data service - Tunnelling of signalling messages**

This part specifies procedures to provide coordination between the TIA/EIA-136 circuit switched services controlled at the mobile switching centre (MSC)/visitors location register (VLR) and the GPRS-136 packet switched services controlled at the serving GPRS support node (SGSN).

| SDO (2) | Document No. | Version | Status | Issued date | Location (1) |
|---------|--------------|---------|--------|-------------|--------------|
|---------|--------------|---------|--------|-------------|--------------|

5.4.2.5.11 136-340**Packet-data service - 136HS Outdoor overview**

This part provides an overview of the 200 kHz 136HS outdoor bearer.

| SDO (2) | Document No. | Version | Status | Issued date | Location (1) |
|---------|-----------------|---------|-----------|-------------|---|
| TIA | TIA/EIA-136-340 | 0 | Published | Mar 00 | http://www.tiaonline.org/standards/strategic-initiatives/code-division-multiple-access |

5.4.2.5.12 136-341**Packet-data service - 136HS Outdoor physical layer**

This part provides the 200 kHz 136HS Outdoor bearer physical layer specification including slot formats, frame structure, modulation, and channel coding.

| SDO (2) | Document No. | Version | Status | Issued date | Location (1) |
|---------|-----------------|---------|-----------|-------------|---|
| TIA | TIA/EIA-136-341 | 0 | Published | Mar 00 | http://www.tiaonline.org/standards/strategic-initiatives/code-division-multiple-access |

5.4.2.5.13 136-342**Packet-data service - 136HS Outdoor RLC/MAC**

This part provides the 200 kHz 136HS Outdoor bearer RLC/MAC layer specification including RLC blocks, MAC protocol data units (PDUs), transaction management, error recovery, and random access control.

| SDO (2) | Document No. | Version | Status | Issued date | Location (1) |
|---------|-----------------|---------|-----------|-------------|---|
| TIA | TIA/EIA-136-342 | 0 | Published | Mar 00 | http://www.tiaonline.org/standards/strategic-initiatives/code-division-multiple-access |

5.4.2.5.14 136-350**Data-service control**

This part provides a description of the user-network commands and responses used to access async data service, fax data service, and other services running over radio link protocol 1.

| SDO (2) | Document No. | Version | Status | Issued date | Location (1) |
|---------|--------------|---------|--------|-------------|--------------|
|---------|--------------|---------|--------|-------------|--------------|

| | | | | | |
|-----|-----------------|---|-----------|--------|---|
| TIA | TIA/EIA-136-350 | C | Published | Apr 02 | http://www.tiaonline.org/standards/strategic-initiatives/code-division-multiple-access |
|-----|-----------------|---|-----------|--------|---|

5.4.2.5.15 136-351

EGPRS-136 AT Command Set

This part describes of the user-network commands and responses used to access the EGPRS-136 packet data service.

| SDO (2) | Document No. | Version | Status | Issued date | Location (1) |
|---------|-----------------|---------|-----------|-------------|---|
| TIA | TIA/EIA-136-351 | 0 | Published | Apr 01 | http://www.tiaonline.org/standards/strategic-initiatives/code-division-multiple-access |

5.4.2.5.16 136-360

Packet-data service - 136HS Indoor overview

This part provides an overview of the 1.6 MHz 136HS indoor bearer.

| SDO (2) | Document No. | Version | Status | Issued date | Location (1) |
|---------|-----------------|---------|----------|-------------|---|
| TIA | TIA/EIA-136-360 | 0-1(E) | Approved | Apr 09 | http://www.tiaonline.org/standards/strategic-initiatives/code-division-multiple-access |

5.4.2.5.17 136-361

Packet-data service - 136HS Indoor physical layer

This part provides the 1.6 MHz 136HS Indoor bearer physical layer specification including slot formats, frame structure, modulation, and channel coding.

| SDO (2) | Document No. | Version | Status | Issued date | Location (1) |
|---------|-----------------|---------|----------|-------------|---|
| TIA | TIA/EIA-136-361 | 0-1(E) | Approved | Apr 09 | http://www.tiaonline.org/standards/strategic-initiatives/code-division-multiple-access |

5.4.2.5.18 136-362

Packet-data service - 136HS Indoor RLC/MAC

This part provides the 1.6 MHz 136HS indoor bearer RLC/MAC layer specification including RLC blocks, MAC PDUs, transaction management, error recovery, and random access control.

| SDO (2) | Document No. | Version | Status | Issued date | Location (1) |
|---------|-----------------|---------|----------|-------------|---|
| TIA | TIA/EIA-136-362 | 0-1(E) | Approved | Apr 09 | http://www.tiaonline.org/standards/strategic-initiatives/code-division-multiple-access |

5.4.2.5.19 136-370

Enhanced General Packet Data Service (EGPRS-136) Overview

This part provides an overview of the Enhanced General Packet Data Service (EGPRS-136).

| SDO (2) | Document No. | Version | Status | Issued date | Location (1) |
|-------------------|-----------------|---------|-----------|-------------|---|
| Release 99 | | | | | |
| TIA | TIA/EIA-136-370 | 0 | Published | Apr 01 | http://www.tiaonline.org/standards/strategic-initiatives/code-division-multiple-access |
| Release 5 | | | | | |
| TIA | TIA/EIA-136-370 | A-1(E) | Published | Jun 05 | http://www.tiaonline.org/standards/strategic-initiatives/code-division-multiple-access |
| Release 6 | | | | | |
| TIA | TIA/EIA-136-370 | B-1(E) | Approved | Jan 08 | http://www.tiaonline.org/standards/strategic-initiatives/code-division-multiple-access |
| Release 7 | | | | | |
| TIA | TIA/EIA-136-370 | C-1(E) | Approved | Dec 09 | http://www.tiaonline.org/standards/strategic-initiatives/code-division-multiple-access |
| Release 8 | | | | | |
| TIA | TIA/EIA-136-370 | D-1(E) | Published | Aug 12 | http://www.tiaonline.org/standards/strategic-initiatives/code-division-multiple-access |
| Release 9 | | | | | |
| TIA | TIA/EIA-136-370 | E | Approved | Aug 14 | http://www.tiaonline.org/standards/strategic-initiatives/code-division-multiple-access |

5.4.2.5.20 136-376

Enhanced General Packet Data Service (EGPRS-136) Mobility Management (MM)

This part describes the mobility management aspects of Enhanced General Packet Data Service (EGPRS_136).

| SDO (2) | Document No. | Version | Status | Issued date | Location (1) |
|-------------------|-----------------|---------|-----------|-------------|---|
| Release 99 | | | | | |
| TIA | TIA/EIA-136-376 | 0 | Published | Apr 01 | http://www.tiaonline.org/standards/strategic-initiatives/code-division-multiple-access |
| Release 5 | | | | | |
| TIA | TIA/EIA-136-376 | A-1(E) | Published | Jun 05 | http://www.tiaonline.org/standards/strategic-initiatives/code-division-multiple-access |
| Release 6 | | | | | |
| TIA | TIA/EIA-136-376 | B-1(E) | Approved | Jan 08 | http://www.tiaonline.org/standards/strategic-initiatives/code-division-multiple-access |
| Release 7 | | | | | |
| TIA | TIA/EIA-136-376 | C-1(E) | Approved | Dec 09 | http://www.tiaonline.org/standards/strategic-initiatives/code-division-multiple-access |
| Release 8 | | | | | |
| TIA | TIA/EIA-136-376 | D-1(E) | Published | Aug 12 | http://www.tiaonline.org/standards/strategic-initiatives/code-division-multiple-access |
| Release 9 | | | | | |
| TIA | TIA/EIA-136-376 | E | Approved | Aug 14 | http://www.tiaonline.org/standards/strategic-initiatives/code-division-multiple-access |

5.4.2.5.21 136-377

EGPRS-136 Gs interface Specification

This part describes operation of the interface between the MSC in the ANSI-41 network, and the SGSN in the EGPRS-136 network, in support of packet data operation.

| SDO (2) | Document No. | Version | Status | Issued date | Location (1) |
|-------------------|-----------------|---------|-----------|-------------|---|
| Release 99 | | | | | |
| TIA | TIA/EIA-136-377 | 0 | Published | Apr 01 | http://www.tiaonline.org/standards/strategic-initiatives/code-division-multiple-access |

Release 5

| | | | | | |
|-----|-----------------|--------|-----------|--------|---|
| TIA | TIA/EIA-136-377 | A-1(E) | Published | Jun 05 | http://www.tiaonline.org/standards/strategic-initiatives/code-division-multiple-access |
|-----|-----------------|--------|-----------|--------|---|

Release 6

| | | | | | |
|-----|-----------------|--------|----------|--------|---|
| TIA | TIA/EIA-136-377 | B-1(E) | Approved | Jan 08 | http://www.tiaonline.org/standards/strategic-initiatives/code-division-multiple-access |
|-----|-----------------|--------|----------|--------|---|

Release 7

| | | | | | |
|-----|-----------------|--------|----------|--------|---|
| TIA | TIA/EIA-136-377 | C-1(E) | Approved | Dec 09 | http://www.tiaonline.org/standards/strategic-initiatives/code-division-multiple-access |
|-----|-----------------|--------|----------|--------|---|

Release 8

| | | | | | |
|-----|-----------------|--------|-----------|--------|---|
| TIA | TIA/EIA-136-377 | D-1(E) | Published | Aug 12 | http://www.tiaonline.org/standards/strategic-initiatives/code-division-multiple-access |
|-----|-----------------|--------|-----------|--------|---|

Release 9

| | | | | | |
|-----|-----------------|---|----------|--------|---|
| TIA | TIA/EIA-136-377 | E | Approved | Aug 14 | http://www.tiaonline.org/standards/strategic-initiatives/code-division-multiple-access |
|-----|-----------------|---|----------|--------|---|

5.4.2.5.22 TS 03.46**Technical realization of Facsimile Group 3 Service-non transparent**

This document specifies the Group 3 Facsimile function for non transparent operation.

| SDO (2) | Document No. | Version | Status | Issued date | Location (1) |
|-------------------|------------------------|---------|----------|-------------|---|
| Release 99 | | | | | |
| ATIS | T1.3GPP.03.46V800-2003 | 8.0.0 | Approved | Dec 03 | https://www.atis.org/docstore/default.aspx |

5.4.2.5.23 TS 22.034**High Speed circuit switched data (HSCSD); Stage 1**

This document provides the stage 1 service description for High speed circuit switched data.

| SDO (2) | Document No. | Version | Status | Issued date | Location (1) |
|-------------------|---------------------------|---------|----------|-------------|---|
| Release 99 | | | | | |
| ATIS | T1.3GPP.23.034V330-2000 | 3.3.0 | Approved | Dec 00 | https://www.atis.org/docstore/default.aspx |
| Release 5 | | | | | |
| ATIS | ATIS.3GPP.23.034V520-2005 | 5.2.0 | Approved | Apr 05 | https://www.atis.org/docstore/default.aspx |
| Release 6 | | | | | |
| ATIS | ATIS.3GPP.23.034V600-2005 | 6.0.0 | Approved | Apr 06 | https://www.atis.org/docstore/default.aspx |
| Release 7 | | | | | |
| ATIS | ATIS.3GPP.23.034V700-2008 | 7.0.0 | Approved | Oct 08 | https://www.atis.org/docstore/default.aspx |
| Release 8 | | | | | |
| ATIS | ATIS.3GPP.23.034V800-2010 | 8.0.0 | Approved | Jul 10 | https://www.atis.org/docstore/default.aspx |
| Release 9 | | | | | |
| ATIS | ATIS.3GPP.23.034V900-2014 | 9.0.0 | Approved | May 14 | https://www.atis.org/docstore/default.aspx |

5.4.2.5.24 TS 22.060**General Packet Radio Service (GPRS); Service Description; Stage 1**

This document provides an overall service description for the General Packet Radio Service.

| SDO (2) | Document No. | Version | Status | Issued date | Location (1) |
|-------------------|---|---------|-----------|-------------|---|
| Release 99 | | | | | |
| ATIS | T1.3GPP.22.060V350-2000 | 3.5.0 | Approved | Oct 00 | https://www.atis.org/docstore/default.aspx |
| TIA | Incl. in TIA/EIA-136-370 as ETSI TS 122 060 v3.3.0 | 0 | Published | Apr 01 | http://www.tiaonline.org/standards/strategic-initiatives/code-division-multiple-access |
| Release 5 | | | | | |
| ATIS | ATIS.3GPP.22.060V530-2005 | 5.3.0 | Approved | Apr 05 | https://www.atis.org/docstore/default.aspx |
| TIA | Incl. in TIA/EIA-136-370 as ETSI TS 122 060 v5.3.0 | A-1(E) | Published | Jun 05 | http://www.tiaonline.org/standards/strategic-initiatives/code-division-multiple-access |
| Release 6 | | | | | |
| ATIS | ATIS.3GPP.22.060V600-2006 | 6.0.0 | Approved | Apr 06 | https://www.atis.org/docstore/default.aspx |
| TIA | Incl. in TIA/EIA-136-370 as ETSI TS 122 060 v6.0.0 | B | Approved | Apr 06 | http://www.tiaonline.org/standards/strategic-initiatives/code-division-multiple-access |
| Release 7 | | | | | |
| ATIS | ATIS.3GPP.22.060V700-2008 | 7.0.0 | Approved | Oct 08 | https://www.atis.org/docstore/default.aspx |
| TIA | Incl. in TIA/EIA-136-370 as ETSI TS 122 060 v7.0.0 | C | Approved | Oct 08 | http://www.tiaonline.org/standards/strategic-initiatives/code-division-multiple-access |
| Release 8 | | | | | |
| ATIS | ATIS.3GPP.22.060V800-2010 | 8.0.0 | Approved | Jul 10 | https://www.atis.org/docstore/default.aspx |
| TIA | Incl. in TIA/EIA-136-370 as ETSI TS 122 060 v8.0.0 | D-1(E) | Published | Aug 12 | http://www.tiaonline.org/standards/strategic-initiatives/code-division-multiple-access |
| Release 9 | | | | | |
| ATIS | ATIS.3GPP.22.060V900-2014 | 9.0.0 | Approved | May 14 | https://www.atis.org/docstore/default.aspx |
| TIA | Incl. in TIA/EIA-136-370 as ETSI TS 122 060 v9.0.0 | E | Approved | Aug 14 | http://www.tiaonline.org/standards/strategic-initiatives/code-division-multiple-access |

5.4.2.5.25 TS 23.034

High Speed circuit switched data (HSCSD); Stage 2

This document provides the stage 2 description for High speed circuit switched data.

| SDO (2) | Document No. | Version | Status | Issued date | Location (1) |
|-------------------|---------------------------|---------|----------|-------------|---|
| Release 99 | | | | | |
| ATIS | T1.3GPP.23.034V330-2000 | 3.3.0 | Approved | Dec 00 | https://www.atis.org/docstore/default.aspx |
| Release 5 | | | | | |
| ATIS | ATIS.3GPP.23.034V520-2005 | 5.2.0 | Approved | Apr 05 | https://www.atis.org/docstore/default.aspx |
| Release 6 | | | | | |
| ATIS | ATIS.3GPP.23.034V600-2005 | 6.0.0 | Approved | Apr 06 | https://www.atis.org/docstore/default.aspx |
| Release 7 | | | | | |

1132

ITU-R M.1457-12

| | | | | | |
|------------------|---------------------------|-------|----------|--------|---|
| ATIS | ATIS.3GPP.23.034V700-2008 | 7.0.0 | Approved | Oct 08 | https://www.atis.org/docstore/default.aspx |
| Release 8 | | | | | |
| ATIS | ATIS.3GPP.23.034V800-2010 | 8.0.0 | Approved | Jul 10 | https://www.atis.org/docstore/default.aspx |
| Release 9 | | | | | |
| ATIS | ATIS.3GPP.23.034V900-2014 | 9.0.0 | Approved | May 14 | https://www.atis.org/docstore/default.aspx |

5.4.2.5.26 TS 23.060

General Packet Radio Service (GPRS); Service Description; Stage 1

This document provides an overall service description for the General Packet Radio Service.

| SDO (2) | Document No. | Version | Status | Issued date | Location (1) |
|-------------------|--|---------|-----------|-------------|---|
| Release 99 | | | | | |
| ATIS | ATIS.3GPP.23.060V3170-2007 | 3.17.0 | Approved | Oct 07 | https://www.atis.org/docstore/default.aspx |
| TIA | Incl. in TIA/EIA-136-376 as ETSI TS 123 060 v3.3.0 | 0 | Published | Apr 01 | http://www.tiaonline.org/standards/strategic-initiatives/code-division-multiple-access |
| Release 5 | | | | | |
| ATIS | ATIS.3GPP.23.060V5130-2007 | 5.13.0 | Approved | Oct 07 | https://www.atis.org/docstore/default.aspx |
| TIA | Incl. in TIA/EIA-136-376 as ETSI TS 123 060 v5.9.0 | A-1(E) | Published | Jun 05 | http://www.tiaonline.org/standards/strategic-initiatives/code-division-multiple-access |
| Release 6 | | | | | |
| ATIS | ATIS.3GPP.23.060V6150-2007 | 6.15.0 | Approved | Oct 07 | https://www.atis.org/docstore/default.aspx |
| TIA | Incl. in TIA/EIA-136-376 as ETSI TS 123 060 v6.15.0 | B-1(E) | Approved | Jan 08 | http://www.tiaonline.org/standards/strategic-initiatives/code-division-multiple-access |
| Release 7 | | | | | |
| ATIS | ATIS.3GPP.23.060V7110-2012 | 7.11.0 | Approved | Jul 12 | https://www.atis.org/docstore/default.aspx |
| TIA | Incl. in TIA/EIA-136-376 as ETSI TS 123 060 v7.8.0 | C-1(E) | Approved | Dec 09 | http://www.tiaonline.org/standards/strategic-initiatives/code-division-multiple-access |
| Release 8 | | | | | |
| ATIS | ATIS.3GPP.23.060V8170-2014 | 8.17.0 | Approved | May 14 | https://www.atis.org/docstore/default.aspx |
| TIA | Incl. in TIA/EIA-136-376 as ETSI TS 123 060 v8.14.0 | D-1(E) | Published | Aug 12 | http://www.tiaonline.org/standards/strategic-initiatives/code-division-multiple-access |
| Release 9 | | | | | |
| ATIS | ATIS.3GPP.23.060V9140-2014 | 9.14.0 | Approved | May 14 | https://www.atis.org/docstore/default.aspx |
| TIA | Incl. in TIA/EIA-136-376 as ETSI TS 123 060 v9.14.0 | E | Approved | Aug 14 | http://www.tiaonline.org/standards/strategic-initiatives/code-division-multiple-access |

5.4.2.5.27 TS 23.202

Circuit switched data bearer services

This document provides an overview of the architecture and issues related to the provision of Circuit Switched Bearer Services in a 3G mobile

network (UMTS) operating in UTRAN or GERAN Iu mode. Handover to GERAN A/Gb mode is also considered.

| SDO (2) | Document No. | Version | Status | Issued date | Location (1) |
|------------------|---------------------------|---------|----------|-------------|---|
| Release 6 | | | | | |
| ATIS | ATIS.3GPP.23.202V610-2008 | 6.1.0 | Approved | Oct 08 | https://www.atis.org/docstore/default.aspx |
| Release 7 | | | | | |
| ATIS | ATIS.3GPP.23.202V700-2008 | 7.0.0 | Approved | Oct 08 | https://www.atis.org/docstore/default.aspx |
| Release 8 | | | | | |
| ATIS | ATIS.3GPP.23.202V800-2010 | 8.0.0 | Approved | Jul 10 | https://www.atis.org/docstore/default.aspx |
| Release 9 | | | | | |
| ATIS | ATIS.3GPP.23.202V910-2014 | 9.1.0 | Approved | May 14 | https://www.atis.org/docstore/default.aspx |

5.4.2.5.28 TS 29.002

Mobile Application Part (MAP) specification

This document provides the specification for the GSM/EDGE/UMTS MAP.

| SDO (2) | Document No. | Version | Status | Issued date | Location (1) |
|-------------------|--|---------|-----------|-------------|---|
| Release 99 | | | | | |
| ATIS | ATIS.3GPP.29.002V3200-2005 | 3.20.0 | Approved | Apr 05 | https://www.atis.org/docstore/default.aspx |
| TIA | Incl. in TIA/EIA-136-370 as ETSI TS 129 002 v3.4.0 | 0 | Published | Apr 01 | http://www.tiaonline.org/standards/strategic-initiatives/code-division-multiple-access |
| Release 5 | | | | | |
| ATIS | ATIS.3GPP.29.002V5130-2007 | 5.13.0 | Approved | Oct 07 | https://www.atis.org/docstore/default.aspx |
| TIA | Incl. in TIA/EIA-136-370 as ETSI TS 129 002 v5.10.0 | A-1(E) | Published | Jun 05 | http://www.tiaonline.org/standards/strategic-initiatives/code-division-multiple-access |
| Release 6 | | | | | |
| ATIS | ATIS.3GPP.29.002V6170-2012 | 6.17.0 | Approved | Jul 12 | https://www.atis.org/docstore/default.aspx |
| TIA | Incl. in TIA/EIA-136-370 as ETSI TS 129 002 v6.16.0 | B-1(E) | Approved | Jan 08 | http://www.tiaonline.org/standards/strategic-initiatives/code-division-multiple-access |
| Release 7 | | | | | |
| ATIS | ATIS.3GPP.29.002V7150-2012 | 7.15.0 | Approved | Jul 12 | https://www.atis.org/docstore/default.aspx |
| TIA | Incl. in TIA/EIA-136-370 as ETSI TS 129 002 v7.12.0 | C | Approved | Oct 08 | http://www.tiaonline.org/standards/strategic-initiatives/code-division-multiple-access |
| Release 8 | | | | | |
| ATIS | ATIS.3GPP.29.002V8210-2014 | 8.21.0 | Approved | May 14 | https://www.atis.org/docstore/default.aspx |
| TIA | Incl. in TIA/EIA-136-370 as ETSI TS 129 002 v8.16.0 | D-1(E) | Published | Aug 12 | http://www.tiaonline.org/standards/strategic-initiatives/code-division-multiple-access |
| Release 9 | | | | | |

| | | | | | |
|------|--|--------|----------|--------|---|
| ATIS | ATIS.3GPP.29.002V9120-2014 | 9.12.0 | Approved | May 14 | https://www.atis.org/docstore/default.aspx |
| TIA | Incl. in TIA/EIA-136-370 as ETSI TS 129 002 v9.12.0 | E | Approved | Aug 14 | http://www.tiaonline.org/standards/strategic-initiatives/code-division-multiple-access |

5.4.2.5.29 TS 29.016

General Packet Radio Service (GPRS); Serving GPRS Support Node (SGSN) û Visitors Location Register (VLR); Gs interface network service specification

This document provides the specification for the General Packet Radio Service Serving GPRS Support Node (SGSN) - Visitors Location Register (VLR) Gs Interface network service specification.

| SDO (2) | Document No. | Version | Status | Issued date | Location (1) |
|-------------------|---|---------|-----------|-------------|---|
| Release 99 | | | | | |
| ATIS | T1.3GPP.29.016V310-2000 | 3.1.0 | Approved | Sep 00 | https://www.atis.org/docstore/default.aspx |
| TIA | Incl. in TIA/EIA-136-370 as ETSI TS 129 016 v3.0.0 | 0 | Published | Apr 01 | http://www.tiaonline.org/standards/strategic-initiatives/code-division-multiple-access |
| Release 5 | | | | | |
| ATIS | T1.3GPP.29.016V500-2003 | 5.0.0 | Approved | Mar 03 | https://www.atis.org/docstore/default.aspx |
| TIA | Incl. in TIA/EIA-136-370 as ETSI TS 129 016 v5.0.0 | A | Published | Jan 04 | http://www.tiaonline.org/standards/strategic-initiatives/code-division-multiple-access |
| Release 6 | | | | | |
| ATIS | ATIS.3GPP.29.016V600-2006 | 6.0.0 | Approved | Apr 06 | https://www.atis.org/docstore/default.aspx |
| TIA | Incl. in TIA/EIA-136-370 as ETSI TS 129 016 v6.0.0 | B | Approved | Apr 06 | http://www.tiaonline.org/standards/strategic-initiatives/code-division-multiple-access |
| Release 7 | | | | | |
| ATIS | ATIS.3GPP.29.016V700-2008 | 7.0.0 | Approved | Oct 08 | https://www.atis.org/docstore/default.aspx |
| TIA | Incl. in TIA/EIA-136-370 as ETSI TS 129 016 v7.0.0 | C | Approved | Oct 08 | http://www.tiaonline.org/standards/strategic-initiatives/code-division-multiple-access |
| Release 8 | | | | | |
| ATIS | ATIS.3GPP.29.016V800-2010 | 8.0.0 | Approved | Jul 10 | https://www.atis.org/docstore/default.aspx |
| TIA | Incl. in TIA/EIA-136-370 as ETSI TS 129 016 v8.0.0 | D-1(E) | Published | Aug 12 | http://www.tiaonline.org/standards/strategic-initiatives/code-division-multiple-access |
| Release 9 | | | | | |
| ATIS | ATIS.3GPP.29.016V900-2014 | 9.0.0 | Approved | May 14 | https://www.atis.org/docstore/default.aspx |
| TIA | Incl. in TIA/EIA-136-370 as ETSI TS 129 016 v9.0.0 | E | Approved | Aug 14 | http://www.tiaonline.org/standards/strategic-initiatives/code-division-multiple-access |

5.4.2.5.30 TS 29.018

General Packet Radio Service (GPRS); Serving GPRS Support Node (SGSN) û Visitors Location Register (VLR); Gs interface layer 3 specification

This document provides the specification for the General Packet Radio Service Serving GPRS Support Node (SGSN) - Visitors Location Register (VLR) Gs Interface layer 3 specification.

| SDO (2) | Document No. | Version | Status | Issued date | Location (1) |
|-------------------|---|---------|-----------|-------------|---|
| Release 99 | | | | | |
| ATIS | ATIS.3GPP.29.018V3110-2005 | 3.11.0 | Approved | Apr 05 | https://www.atis.org/docstore/default.aspx |
| TIA | Incl. in TIA/EIA-136-370 as ETSI TS 129 018 v3.3.0 | 0 | Published | Apr 01 | http://www.tiaonline.org/standards/strategic-initiatives/code-division-multiple-access |
| Release 5 | | | | | |
| ATIS | ATIS.3GPP.29.018V550-2005 | 5.5.0 | Approved | Apr 05 | https://www.atis.org/docstore/default.aspx |
| TIA | Incl. in TIA/EIA-136-370 as ETSI TS 129 018 v5.5.0 | A-1(E) | Published | Jun 05 | http://www.tiaonline.org/standards/strategic-initiatives/code-division-multiple-access |
| Release 6 | | | | | |
| ATIS | ATIS.3GPP.29.018V650-2007 | 6.5.0 | Approved | Oct 07 | https://www.atis.org/docstore/default.aspx |
| TIA | Incl. in TIA/EIA-136-370 as ETSI TS 129 018 v6.5.0 | B-1(E) | Approved | Jan 08 | http://www.tiaonline.org/standards/strategic-initiatives/code-division-multiple-access |
| Release 7 | | | | | |
| ATIS | ATIS.3GPP.29.018V730-2008 | 7.3.0 | Approved | Oct 08 | https://www.atis.org/docstore/default.aspx |
| TIA | Incl. in TIA/EIA-136-370 as ETSI TS 129 018 v7.3.0 | C | Approved | Oct 08 | http://www.tiaonline.org/standards/strategic-initiatives/code-division-multiple-access |
| Release 8 | | | | | |
| ATIS | ATIS.3GPP.29.018V850-2014 | 8.5.0 | Approved | May 14 | https://www.atis.org/docstore/default.aspx |
| TIA | Incl. in TIA/EIA-136-370 as ETSI TS 129 018 v8.3.0 | D-1(E) | Published | Aug 12 | http://www.tiaonline.org/standards/strategic-initiatives/code-division-multiple-access |
| Release 9 | | | | | |
| ATIS | ATIS.3GPP.29.018V930-2014 | 9.3.0 | Approved | May 14 | https://www.atis.org/docstore/default.aspx |
| TIA | Incl. in TIA/EIA-136-370 as ETSI TS 129 018 v9.3.0 | E | Approved | Aug 14 | http://www.tiaonline.org/standards/strategic-initiatives/code-division-multiple-access |

5.4.2.5.31 TS 29.060

General Packet Radio Service (GPRS); GPRS Tunnelling Protocol (GTP) across the Gn and Gp Interface

This document provides the specification for the General Packet Radio Service Tunnelling Protocol (GTP).

| SDO (2) | Document No. | Version | Status | Issued date | Location (1) |
|-------------------|----------------------------|---------|----------|-------------|---|
| Release 99 | | | | | |
| ATIS | ATIS.3GPP.29.060V3190-2005 | 3.19.0 | Approved | Apr 05 | https://www.atis.org/docstore/default.aspx |

1136

ITU-R M.1457-12

| | | | | | |
|-----|--|---|-----------|--------|---|
| TIA | Incl. in TIA/EIA-136-370 as ETSI TS 129 060 v3.4.0 | 0 | Published | Apr 01 | http://www.tiaonline.org/standards/strategic-initiatives/code-division-multiple-access |
|-----|--|---|-----------|--------|---|

Release 5

| | | | | | |
|------|---|--------|-----------|--------|---|
| ATIS | ATIS.3GPP.29.060V5140-2006 | 5.14.0 | Approved | Apr 06 | https://www.atis.org/docstore/default.aspx |
| TIA | Incl. in TIA/EIA-136-370 as ETSI TS 129 060 v5.12.0 | A-1(E) | Published | Jun 05 | http://www.tiaonline.org/standards/strategic-initiatives/code-division-multiple-access |

Release 6

| | | | | | |
|------|---|--------|----------|--------|---|
| ATIS | ATIS.3GPP.29.060V6211-2010 | 6.21.1 | Approved | Jul 10 | https://www.atis.org/docstore/default.aspx |
| TIA | Incl. in TIA/EIA-136-370 as ETSI TS 129 060 v6.18.0 | B-1(E) | Approved | Jan 08 | http://www.tiaonline.org/standards/strategic-initiatives/code-division-multiple-access |

Release 7

| | | | | | |
|------|---|--------|----------|--------|---|
| ATIS | ATIS.3GPP.29.060V7170-2012 | 7.17.0 | Approved | Jul 12 | https://www.atis.org/docstore/default.aspx |
| TIA | Incl. in TIA/EIA-136-370 as ETSI TS 129 060 v7.12.0 | C-1(E) | Approved | Dec 09 | http://www.tiaonline.org/standards/strategic-initiatives/code-division-multiple-access |

Release 8

| | | | | | |
|------|---|--------|-----------|--------|---|
| ATIS | ATIS.3GPP.29.060V8160-2014 | 8.16.0 | Approved | May 14 | https://www.atis.org/docstore/default.aspx |
| TIA | Incl. in TIA/EIA-136-370 as ETSI TS 129 060 v8.15.0 | D-1(E) | Published | Aug 12 | http://www.tiaonline.org/standards/strategic-initiatives/code-division-multiple-access |

Release 9

| | | | | | |
|------|---|--------|----------|--------|---|
| ATIS | ATIS.3GPP.29.060V9120-2014 | 9.12.0 | Approved | May 14 | https://www.atis.org/docstore/default.aspx |
| TIA | Incl. in TIA/EIA-136-370 as ETSI TS 129 060 v9.12.0 | E | Approved | Aug 14 | http://www.tiaonline.org/standards/strategic-initiatives/code-division-multiple-access |

5.4.2.5.32 TS 01.61

GPRS ciphering algorithm requirements

This document provides the requirements for the General Packet Radio ciphering algorithms. Standalone ciphering aspects for GSM GPRS are not specified beyond Release 4. For the latest available information see section 5.4.2.13.37.

| SDO (2) | Document No. | Version | Status | Issued date | Location (1) |
|-------------------|------------------------|---------|----------|-------------|---|
| Release 99 | | | | | |
| ATIS | T1.3GPP.01.61V800-2003 | 8.0.0 | Approved | Dec 03 | https://www.atis.org/docstore/default.aspx |

5.4.2.5.33 TS 43.045

Technical realization of facsimile group 3 -transparent

This document specifies the Group 3 Facsimile function for transparent operation.

| SDO (2) | Document No. | Version | Status | Issued date | Location (1) |
|-------------------|------------------------|---------|----------|-------------|---|
| Release 99 | | | | | |
| ATIS | T1.3GPP.03.45V801-2003 | 8.0.1 | Approved | Dec 03 | https://www.atis.org/docstore/default.aspx |

| | | | | | | |
|------------------|---------------------------|-------|----------|--------|---|--|
| Release 5 | | | | | | |
| ATIS | T1.3GPP.43.045V500-2003 | 5.0.0 | Approved | Dec 03 | https://www.atis.org/docstore/default.aspx | |
| Release 6 | | | | | | |
| ATIS | ATIS.3GPP.43.045V600-2006 | 6.0.0 | Approved | Apr 06 | https://www.atis.org/docstore/default.aspx | |
| Release 7 | | | | | | |
| ATIS | ATIS.3GPP.43.045V700-2008 | 7.0.0 | Approved | Oct 08 | https://www.atis.org/docstore/default.aspx | |
| Release 8 | | | | | | |
| ATIS | ATIS.3GPP.43.045V800-2010 | 8.0.0 | Approved | Jul 10 | https://www.atis.org/docstore/default.aspx | |
| Release 9 | | | | | | |
| ATIS | ATIS.3GPP.43.045V900-2014 | 9.0.0 | Approved | May 14 | https://www.atis.org/docstore/default.aspx | |

5.4.2.5.34 TS 43.064

General Packet Radio Service (GPRS); Overall description of the GPRS radio interface; Stage 2

This document provides an overall stage 2 description of the General Packet Radio Service radio interface.

| SDO (2) | Document No. | Version | Status | Issued date | Location (1) |
|-------------------|---|---------|-----------|-------------|---|
| Release 99 | | | | | |
| ATIS | ATIS.3GPP.03.64V8120-2005 | 8.12.0 | Approved | Apr 05 | https://www.atis.org/docstore/default.aspx |
| TIA | Incl. in TIA/EIA-136-370 as GSM 03.64 (ETSI TS 101 350) | 0 | Published | Apr 01 | http://www.tiaonline.org/standards/strategic-initiatives/code-division-multiple-access |
| Release 5 | | | | | |
| ATIS | ATIS.3GPP.43.064V530-2005 | 5.3.0 | Approved | Apr 05 | https://www.atis.org/docstore/default.aspx |
| TIA | Incl. in TIA/EIA-136-370 as ETSI TS 143 064 v5.3.0 | A-1(E) | Published | Jun 05 | http://www.tiaonline.org/standards/strategic-initiatives/code-division-multiple-access |
| Release 6 | | | | | |
| ATIS | ATIS.3GPP.43.064V6110-2007 | 6.11.0 | Approved | Oct 07 | https://www.atis.org/docstore/default.aspx |
| TIA | Incl. in TIA/EIA-136-370 as ETSI TS 143 064 v6.11.0 | B-1(E) | Approved | Jan 08 | http://www.tiaonline.org/standards/strategic-initiatives/code-division-multiple-access |
| Release 7 | | | | | |
| ATIS | ATIS.3GPP.43.064V7130-2010 | 7.13.0 | Approved | Jul 10 | https://www.atis.org/docstore/default.aspx |
| TIA | Incl. in TIA/EIA-136-370 as ETSI TS 143 064 v7.12.0 | C-1(E) | Approved | Dec 09 | http://www.tiaonline.org/standards/strategic-initiatives/code-division-multiple-access |
| Release 8 | | | | | |
| ATIS | ATIS.3GPP.43.064V830-2010 | 8.3.0 | Approved | Jul 10 | https://www.atis.org/docstore/default.aspx |
| TIA | Incl. in TIA/EIA-136-370 as ETSI TS 143 064 v8.3.0 | D-1(E) | Published | Aug 12 | http://www.tiaonline.org/standards/strategic-initiatives/code-division-multiple-access |
| Release 9 | | | | | |
| ATIS | ATIS.3GPP.43.064V900-2010 | 9.0.0 | Approved | May 14 | https://www.atis.org/docstore/default.aspx |
| TIA | Incl. in TIA/EIA-136-370 as ETSI TS 143 064 v9.0.0 | E | Approved | Aug 14 | http://www.tiaonline.org/standards/strategic-initiatives/code-division-multiple-access |

5.4.2.5.35 TS 44.060**General Packet Radio Service (GPRS); Mobile Station (MS) û Base Station System (BSS) interface; Radio Link Control / Medium Access Control (RLC/MAC) protocol**

This document provides the detailed specification for the General Packet Radio Service Mobile Station - Base Station System interface Radio Link Control and Medium Access Control.

| SDO (2) | Document No. | Version | Status | Issued date | Location (1) |
|-------------------|---|---------|-----------|-------------|---|
| Release 99 | | | | | |
| ATIS | ATIS.3GPP.04.60V8270-2006 | 8.27.0 | Approved | Apr 06 | https://www.atis.org/docstore/default.aspx |
| TIA | Incl. in TIA/EIA-136-370 as GSM 04.60 (ETSI TS 101 349) | 0 | Published | Apr 01 | http://www.tiaonline.org/standards/strategic-initiatives/code-division-multiple-access |
| Release 5 | | | | | |
| ATIS | ATIS.3GPP.44.060V5210-2009 | 5.21.0 | Approved | Jul 09 | https://www.atis.org/docstore/default.aspx |
| TIA | Incl. in TIA/EIA-136-370 as ETSI TS 144 060 v5.14.0 | A-1(E) | Published | Jun 05 | http://www.tiaonline.org/standards/strategic-initiatives/code-division-multiple-access |
| Release 6 | | | | | |
| ATIS | ATIS.3GPP.44.060V6280-2010 | 6.28.0 | Approved | Jul 10 | https://www.atis.org/docstore/default.aspx |
| TIA | Incl. in TIA/EIA-136-370 as ETSI TS 144 060 v6.22.0 | B-1(E) | Approved | Jan 08 | http://www.tiaonline.org/standards/strategic-initiatives/code-division-multiple-access |
| Release 7 | | | | | |
| ATIS | ATIS.3GPP.44.060V7270-2014 | 7.27.0 | Approved | May 14 | https://www.atis.org/docstore/default.aspx |
| TIA | Incl. in TIA/EIA-136-370 as ETSI TS 144 060 v7.16.0 | C-1(E) | Approved | Dec 09 | http://www.tiaonline.org/standards/strategic-initiatives/code-division-multiple-access |
| Release 8 | | | | | |
| ATIS | ATIS.3GPP.44.060V8170-2014 | 8.17.0 | Approved | May 14 | https://www.atis.org/docstore/default.aspx |
| TIA | Incl. in TIA/EIA-136-370 as ETSI TS 144 060 v8.13.0 | D-1(E) | Published | Aug 12 | http://www.tiaonline.org/standards/strategic-initiatives/code-division-multiple-access |
| Release 9 | | | | | |
| ATIS | ATIS.3GPP.44.060V9140-2014 | 9.14.0 | Approved | May 14 | https://www.atis.org/docstore/default.aspx |
| TIA | Incl. in TIA/EIA-136-370 as ETSI TS 144 060 v9.14.0 | E | Approved | Aug 14 | http://www.tiaonline.org/standards/strategic-initiatives/code-division-multiple-access |

5.4.2.5.36 TS 44.064**Mobile Station û Serving GPRS Support Node (MS-SGSN); Logical Link Control (LLC) layer Specification**

This document provides the detailed specification for the General Packet Radio Service Mobile Station - Serving GPRS Support Node interface Logical Link Control layer.

| SDO (2) | Document No. | Version | Status | Issued date | Location (1) |
|-------------------|------------------------|---------|----------|-------------|---|
| Release 99 | | | | | |
| ATIS | T1.3GPP.04.64V870-2003 | 8.7.0 | Approved | Dec 03 | https://www.atis.org/docstore/default.aspx |

| | | | | | |
|------------------|---|--------|-----------|--------|---|
| TIA | Incl. in TIA/EIA-136-370 as GSM 04.64 (ETSI TS 101 351) | 0 | Published | Apr 01 | http://www.tiaonline.org/standards/strategic-initiatives/code-division-multiple-access |
| Release 5 | | | | | |
| ATIS | ATIS.3GPP.44.064V520-2014 | 5.2.0 | Approved | May 14 | https://www.atis.org/docstore/default.aspx |
| TIA | Incl. in TIA/EIA-136-370 as ETSI TS 144 064 v5.1.0 | A | Published | Jan 04 | http://www.tiaonline.org/standards/strategic-initiatives/code-division-multiple-access |
| Release 6 | | | | | |
| ATIS | ATIS.3GPP.44.064V630-2014 | 6.3.0 | Approved | May 14 | https://www.atis.org/docstore/default.aspx |
| TIA | Incl. in TIA/EIA-136-370 as ETSI TS 144 064 v6.2.0 | B-1(E) | Approved | Jan 08 | http://www.tiaonline.org/standards/strategic-initiatives/code-division-multiple-access |
| Release 7 | | | | | |
| ATIS | ATIS.3GPP.44.064V740-2014 | 7.4.0 | Approved | May 14 | https://www.atis.org/docstore/default.aspx |
| TIA | Incl. in TIA/EIA-136-370 as ETSI TS 144 064 v7.3.0 | C | Approved | Oct 08 | http://www.tiaonline.org/standards/strategic-initiatives/code-division-multiple-access |
| Release 8 | | | | | |
| ATIS | ATIS.3GPP.44.064V810-2014 | 8.1.0 | Approved | May 14 | https://www.atis.org/docstore/default.aspx |
| TIA | Incl. in TIA/EIA-136-370 as ETSI TS 144 064 v8.0.0 | D-1(E) | Published | Aug 12 | http://www.tiaonline.org/standards/strategic-initiatives/code-division-multiple-access |
| Release 9 | | | | | |
| ATIS | ATIS.3GPP.44.064V910-2014 | 9.1.0 | Approved | May 14 | https://www.atis.org/docstore/default.aspx |
| TIA | Incl. in TIA/EIA-136-370 as ETSI TS 144 064 v9.1.0 | E | Approved | Aug 14 | http://www.tiaonline.org/standards/strategic-initiatives/code-division-multiple-access |

5.4.2.5.37 TS 44.065

Mobile Station (MS) û Serving GPRS Support Node (SGSN); Subnetwork Dependent Convergence Protocol (SND CP)

This document provides the detailed specification for the General Packet Radio Service Mobile Station - Serving GPRS Support Node interface Subnetwork Dependent Convergence Protocol.

| SDO (2) | Document No. | Version | Status | Issued date | Location (1) |
|-------------------|--|---------|-----------|-------------|---|
| Release 99 | | | | | |
| ATIS | T1.3GPP.04.65V820-2003 | 8.2.0 | Approved | Dec 03 | https://www.atis.org/docstore/default.aspx |
| TIA | Incl. in TIA/EIA-136-370 as ETSI TS 124 065 v3.1.0 | 0 | Published | Apr 01 | http://www.tiaonline.org/standards/strategic-initiatives/code-division-multiple-access |
| Release 5 | | | | | |
| ATIS | ATIS.3GPP.44.065V520-2005 | 5.2.0 | Approved | Apr 05 | https://www.atis.org/docstore/default.aspx |
| TIA | Incl. in TIA/EIA-136-370 as ETSI TS 144 065 v5.2.0 | A-1(E) | Published | Jun 05 | http://www.tiaonline.org/standards/strategic-initiatives/code-division-multiple-access |
| Release 6 | | | | | |
| ATIS | ATIS.3GPP.44.065V660-2007 | 6.6.0 | Approved | Oct 07 | https://www.atis.org/docstore/default.aspx |
| TIA | Incl. in TIA/EIA-136-370 as ETSI TS 144 065 v6.6.0 | B-1(E) | Approved | Jan 08 | http://www.tiaonline.org/standards/strategic-initiatives/code-division-multiple-access |

Release 7

| | | | | | |
|------|---|-------|----------|--------|---|
| ATIS | ATIS.3GPP.44.065V700-2008 | 7.0.0 | Approved | Oct 08 | https://www.atis.org/docstore/default.aspx |
| TIA | Incl. in TIA/EIA-136-370 as ETSI TS 144 065 v7.0.0 | C | Approved | Oct 08 | http://www.tiaonline.org/standards/strategic-initiatives/code-division-multiple-access |

Release 8

| | | | | | |
|------|---|--------|-----------|--------|---|
| ATIS | ATIS.3GPP.44.065V800-2010 | 8.0.0 | Approved | Jul 10 | https://www.atis.org/docstore/default.aspx |
| TIA | Incl. in TIA/EIA-136-370 as ETSI TS 144 065 v8.0.0 | D-1(E) | Published | Aug 12 | http://www.tiaonline.org/standards/strategic-initiatives/code-division-multiple-access |

Release 9

| | | | | | |
|------|---|-------|----------|--------|---|
| ATIS | ATIS.3GPP.44.065V900-2014 | 9.0.0 | Approved | May 14 | https://www.atis.org/docstore/default.aspx |
| TIA | Incl. in TIA/EIA-136-370 as ETSI TS 144 065 v9.0.0 | E | Approved | Aug 14 | http://www.tiaonline.org/standards/strategic-initiatives/code-division-multiple-access |

5.4.2.5.38 TS 48.014**General Packet Radio Service (GPRS); Base Station System (BSS) û Serving GPRS Support Node (SGSN) interface; Gb interface Layer 1**

This document provides the detailed specification for the General Packet Radio Service Base Station System - Serving GPRS Support Node Gb Interface Layer 1.

| SDO (2) | Document No. | Version | Status | Issued date | Location (1) |
|-------------------|--|---------|-----------|-------------|---|
| Release 99 | | | | | |
| ATIS | T1.3GPP.08.14V801-2003 | 8.0.1 | Approved | Dec 03 | https://www.atis.org/docstore/default.aspx |
| TIA | Incl. in TIA/EIA-136-370 as GSM 08.14 (ETSI TS 101 298) | 0 | Published | Apr 01 | http://www.tiaonline.org/standards/strategic-initiatives/code-division-multiple-access |
| Release 5 | | | | | |
| ATIS | ATIS.3GPP.48.014V501-2005 | 5.0.1 | Approved | Apr 05 | https://www.atis.org/docstore/default.aspx |
| TIA | Incl. in TIA/EIA-136-370 as ETSI TS 148 014 v5.0.1 | A-1(E) | Published | Jun 05 | http://www.tiaonline.org/standards/strategic-initiatives/code-division-multiple-access |
| Release 6 | | | | | |
| ATIS | ATIS.3GPP.48.014V600-2006 | 6.0.0 | Approved | Apr 06 | https://www.atis.org/docstore/default.aspx |
| TIA | Incl. in TIA/EIA-136-370 as ETSI TS 148 014 v6.0.0 | B | Approved | Apr 06 | http://www.tiaonline.org/standards/strategic-initiatives/code-division-multiple-access |
| Release 7 | | | | | |
| ATIS | ATIS.3GPP.48.014V700-2008 | 7.0.0 | Approved | Oct 08 | https://www.atis.org/docstore/default.aspx |
| TIA | Incl. in TIA/EIA-136-370 as ETSI TS 148 014 v7.0.0 | C | Approved | Oct 08 | http://www.tiaonline.org/standards/strategic-initiatives/code-division-multiple-access |
| Release 8 | | | | | |
| ATIS | ATIS.3GPP.48.014V800-2010 | 8.0.0 | Approved | Jul 10 | https://www.atis.org/docstore/default.aspx |
| TIA | Incl. in TIA/EIA-136-370 as ETSI TS 148 014 v8.0.0 | D-1(E) | Published | Aug 12 | http://www.tiaonline.org/standards/strategic-initiatives/code-division-multiple-access |

Release 9

| | | | | | |
|------|---|-------|----------|--------|---|
| ATIS | ATIS.3GPP.48.014V900-2014 | 9.0.0 | Approved | May 14 | https://www.atis.org/docstore/default.aspx |
| TIA | Incl. in TIA/EIA-136-370 as ETSI TS 148 014 v9.0.0 | E | Approved | Aug 14 | http://www.tiaonline.org/standards/strategic-initiatives/code-division-multiple-access |

5.4.2.5.39 TS 48.016

General Packet Radio Service (GPRS); Base Station System (BSS) û Serving GPRS Support Node (SGSN) interface; Network This document provides the detailed specification for the General Packet Radio Service Base Station System - Serving GPRS Support Node Network service.

| SDO (2) | Document No. | Version | Status | Issued date | Location (1) |
|-------------------|--|---------|-----------|-------------|---|
| Release 99 | | | | | |
| ATIS | T1.3GPP.08.16V801-2003 | 8.0.1 | Approved | Dec 03 | https://www.atis.org/docstore/default.aspx |
| TIA | Incl. in TIA/EIA-136-370 as GSM 08.16 (ETSI TS 101 299) | 0 | Published | Apr 01 | http://www.tiaonline.org/standards/strategic-initiatives/code-division-multiple-access |
| Release 5 | | | | | |
| ATIS | ATIS.3GPP.48.016V540-2005 | 5.4.0 | Approved | Apr 05 | https://www.atis.org/docstore/default.aspx |
| TIA | Incl. in TIA/EIA-136-370 as ETSI TS 148 016 v5.4.0 | A-1(E) | Published | Jun 05 | http://www.tiaonline.org/standards/strategic-initiatives/code-division-multiple-access |
| Release 6 | | | | | |
| ATIS | ATIS.3GPP.48.016V650-2006 | 6.5.0 | Approved | Apr 06 | https://www.atis.org/docstore/default.aspx |
| TIA | Incl. in TIA/EIA-136-370 as ETSI TS 148 016 v6.5.0 | B | Approved | Apr 06 | http://www.tiaonline.org/standards/strategic-initiatives/code-division-multiple-access |
| Release 7 | | | | | |
| ATIS | ATIS.3GPP.48.016V740-2008 | 7.4.0 | Approved | Oct 08 | https://www.atis.org/docstore/default.aspx |
| TIA | Incl. in TIA/EIA-136-370 as ETSI TS 148 016 v7.4.0 | C | Approved | Oct 08 | http://www.tiaonline.org/standards/strategic-initiatives/code-division-multiple-access |
| Release 8 | | | | | |
| ATIS | ATIS.3GPP.48.016V800-2010 | 8.0.0 | Approved | Jul 10 | https://www.atis.org/docstore/default.aspx |
| TIA | Incl. in TIA/EIA-136-370 as ETSI TS 148 016 v8.0.0 | D-1(E) | Published | Aug 12 | http://www.tiaonline.org/standards/strategic-initiatives/code-division-multiple-access |
| Release 9 | | | | | |
| ATIS | ATIS.3GPP.48.016V900-2014 | 9.0.0 | Approved | May 14 | https://www.atis.org/docstore/default.aspx |
| TIA | Incl. in TIA/EIA-136-370 as ETSI TS 148 016 v9.0.0 | E | Approved | Aug 14 | http://www.tiaonline.org/standards/strategic-initiatives/code-division-multiple-access |

5.4.2.5.40 TS 48.018

General Packet Radio Service (GPRS); Base Station System (BSS) û Serving GPRS Support Node (SGSN); BSS GPRS protocol (BSSGP)

This document provides the detailed specification for the General Packet Radio Service Base Station System - Serving GPRS Support Node BSS GPRS protocol.

| SDO (2) | Document No. | Version | Status | Issued date | Location (1) |
|-------------------|--|---------|-----------|-------------|---|
| Release 99 | | | | | |
| ATIS | ATIS.3GPP.08.18V8120-2005 | 8.12.0 | Approved | Apr 05 | https://www.atis.org/docstore/default.aspx |
| TIA | Incl. in TIA/EIA-136-370 as GSM 08.18 (ETSI TS 101 343) | 0 | Published | Apr 01 | http://www.tiaonline.org/standards/strategic-initiatives/code-division-multiple-access |
| Release 5 | | | | | |
| ATIS | ATIS.3GPP.48.018V5140-2007 | 5.14.0 | Approved | Oct 07 | https://www.atis.org/docstore/default.aspx |
| TIA | Incl. in TIA/EIA-136-370 as ETSI TS 148 018 v5.11.0 | A-1(E) | Published | Jun 05 | http://www.tiaonline.org/standards/strategic-initiatives/code-division-multiple-access |
| Release 6 | | | | | |
| ATIS | ATIS.3GPP.48.018V6200-2010 | 6.20.0 | Approved | Jul 10 | https://www.atis.org/docstore/default.aspx |
| TIA | Incl. in TIA/EIA-136-370 as ETSI TS 148 018 v6.19.0 | B-1(E) | Approved | Jan 08 | http://www.tiaonline.org/standards/strategic-initiatives/code-division-multiple-access |
| Release 7 | | | | | |
| ATIS | ATIS.3GPP.48.018V7130-2010 | 7.13.0 | Approved | Jul 10 | https://www.atis.org/docstore/default.aspx |
| TIA | Incl. in TIA/EIA-136-370 as ETSI TS 148 018 v7.12.0 | C | Approved | Oct 08 | http://www.tiaonline.org/standards/strategic-initiatives/code-division-multiple-access |
| Release 8 | | | | | |
| ATIS | ATIS.3GPP.48.018V8110-2014 | 8.11.0 | Approved | May 14 | https://www.atis.org/docstore/default.aspx |
| TIA | Incl. in TIA/EIA-136-370 as ETSI TS 148 018 v8.7.0 | D-1(E) | Published | Aug 12 | http://www.tiaonline.org/standards/strategic-initiatives/code-division-multiple-access |
| Release 9 | | | | | |
| ATIS | ATIS.3GPP.48.018V9100-2014 | 9.10.0 | Approved | May 14 | https://www.atis.org/docstore/default.aspx |
| TIA | Incl. in TIA/EIA-136-370 as ETSI TS 148 018 v9.10.0 | E | Approved | Aug 14 | http://www.tiaonline.org/standards/strategic-initiatives/code-division-multiple-access |

5.4.2.5.41 TS 21.202

Technical Specifications and Technical Reports relating to the Common IP Multimedia Subsystem (IMS)

This document identifies the 3GPP Technical Specifications and Technical Reports specifically relating to the IP Multimedia Subsystem (IMS). and which are common to all systems based on IMS.

| SDO (2) | Document No. | Version | Status | Issued date | Location (1) |
|------------------|---------------------------|---------|----------|-------------|---|
| Release 8 | | | | | |
| ATIS | ATIS.3GPP.21.202V850-2014 | 8.5.0 | Approved | May 14 | https://www.atis.org/docstore/default.aspx |
| Release 9 | | | | | |
| ATIS | ATIS.3GPP.21.202V930-2014 | 9.3.0 | Approved | May 14 | https://www.atis.org/docstore/default.aspx |

5.4.2.5.42 TS 23.221**GERAN/UMTS Architectural Requirements**

This document provides the specification for the architectural requirements for UMTS and GERAN.

| SDO (2) | Document No. | Version | Status | Issued date | Location (1) |
|------------------|---|---------|-----------|-------------|---|
| Release 5 | | | | | |
| ATIS | ATIS.3GPP.23.221V5110-2005 | 5.11.0 | Approved | Apr 05 | https://www.atis.org/docstore/default.aspx |
| TIA | Incl. in TIA/EIA-136-370 as ETSI TS 123 221 v5.11.0 | A-1(E) | Published | Jun 05 | http://www.tiaonline.org/standards/strategic-initiatives/code-division-multiple-access |
| Release 6 | | | | | |
| ATIS | ATIS.3GPP.23.221V630-2006 | 6.3.0 | Approved | Apr 06 | https://www.atis.org/docstore/default.aspx |
| TIA | Incl. in TIA/EIA-136-370 as ETSI TS 123 221 v6.3.0 | B | Approved | Apr 06 | http://www.tiaonline.org/standards/strategic-initiatives/code-division-multiple-access |
| Release 7 | | | | | |
| ATIS | ATIS.3GPP.23.221V720-2008 | 7.2.0 | Approved | Oct 08 | https://www.atis.org/docstore/default.aspx |
| TIA | Incl. in TIA/EIA-136-370 as ETSI TS 123 221 v7.2.0 | C | Approved | Oct 08 | http://www.tiaonline.org/standards/strategic-initiatives/code-division-multiple-access |
| Release 8 | | | | | |
| ATIS | ATIS.3GPP.23.221V890-2014 | 8.9.0 | Approved | May 14 | https://www.atis.org/docstore/default.aspx |
| TIA | Incl. in TIA/EIA-136-370 as ETSI TS 123 221 v8.7.0 | D-1(E) | Published | Aug 12 | http://www.tiaonline.org/standards/strategic-initiatives/code-division-multiple-access |
| Release 9 | | | | | |
| ATIS | ATIS.3GPP.23.221V950-2014 | 9.5.0 | Approved | May 14 | https://www.atis.org/docstore/default.aspx |
| TIA | Incl. in TIA/EIA-136-370 as ETSI TS 123 221 v9.5.0 | E | Approved | Aug 14 | http://www.tiaonline.org/standards/strategic-initiatives/code-division-multiple-access |

5.4.2.5.43 TS 23.228**IP Multimedia Subsystem (IMS); Stage 2**

This document provides the Stage 2 description for the IP Multimedia Subsystem (IMS).

| SDO (2) | Document No. | Version | Status | Issued date | Location (1) |
|------------------|---|---------|-----------|-------------|---|
| Release 5 | | | | | |
| ATIS | ATIS.3GPP.23.228V5150-2007 | 5.15.0 | Approved | Oct 07 | https://www.atis.org/docstore/default.aspx |
| TIA | Incl. in TIA/EIA-136-370 as ETSI TS 123 228 v5.12.0 | A-1(E) | Published | Jun 05 | http://www.tiaonline.org/standards/strategic-initiatives/code-division-multiple-access |
| Release 6 | | | | | |
| ATIS | ATIS.3GPP.23.228V6160-2007 | 6.16.0 | Approved | Oct 07 | https://www.atis.org/docstore/default.aspx |
| TIA | Incl. in TIA/EIA-136-370 as ETSI TS 123 228 v6.16.0 | B-1(E) | Approved | Jan 08 | http://www.tiaonline.org/standards/strategic-initiatives/code-division-multiple-access |
| Release 7 | | | | | |

1144

ITU-R M.1457-12

| | | | | | |
|------|--|--------|----------|--------|---|
| ATIS | ATIS.3GPP.23.228V7160-2010 | 7.16.0 | Approved | Jul 10 | https://www.atis.org/docstore/default.aspx |
| TIA | Incl. in TIA/EIA-136-370 as ETSI TS 123 228 v7.14.0 | C-1(E) | Approved | Dec 09 | http://www.tiaonline.org/standards/strategic-initiatives/code-division-multiple-access |

Release 8

| | | | | | |
|------|--|--------|-----------|--------|---|
| ATIS | ATIS.3GPP.23.228V8120-2010 | 8.12.0 | Approved | Jul 10 | https://www.atis.org/docstore/default.aspx |
| TIA | Incl. in TIA/EIA-136-370 as ETSI TS 123 228 v8.12.0 | D-1(E) | Published | Aug 12 | http://www.tiaonline.org/standards/strategic-initiatives/code-division-multiple-access |

Release 9

| | | | | | |
|------|---|-------|----------|--------|---|
| ATIS | ATIS.3GPP.23.228V940-2014 | 9.4.0 | Approved | May 14 | https://www.atis.org/docstore/default.aspx |
| TIA | Incl. in TIA/EIA-136-370 as ETSI TS 123 228 v9.4.0 | E | Approved | Aug 14 | http://www.tiaonline.org/standards/strategic-initiatives/code-division-multiple-access |

5.4.2.5.44 TS 43.051

GSM/EDGE Radio Access Network (GERAN) overall description; Stage 2

This document provides the overall description specification for the GSM/EDGE Radio Access Network (GERAN).

| SDO (2) | Document No. | Version | Status | Issued date | Location (1) |
|------------------|--|---------|-----------|-------------|---|
| Release 5 | | | | | |
| ATIS | ATIS.3GPP.43.051V5100-2005 | 5.10.0 | Approved | Apr 05 | https://www.atis.org/docstore/default.aspx |
| TIA | Incl. in TIA/EIA-136-370 as ETSI TS 143 051 v5.10.0 | A-1(E) | Published | Jun 05 | http://www.tiaonline.org/standards/strategic-initiatives/code-division-multiple-access |
| Release 6 | | | | | |
| ATIS | ATIS.3GPP.43.051V600-2006 | 6.0.0 | Approved | Apr 06 | https://www.atis.org/docstore/default.aspx |
| TIA | Incl. in TIA/EIA-136-370 as ETSI TS 143 051 v6.0.0 | B | Approved | Apr 06 | http://www.tiaonline.org/standards/strategic-initiatives/code-division-multiple-access |
| Release 7 | | | | | |
| ATIS | ATIS.3GPP.43.051V700-2008 | 7.0.0 | Approved | Oct 08 | https://www.atis.org/docstore/default.aspx |
| TIA | Incl. in TIA/EIA-136-370 as ETSI TS 143 051 v7.0.0 | C | Approved | Oct 08 | http://www.tiaonline.org/standards/strategic-initiatives/code-division-multiple-access |
| Release 8 | | | | | |
| ATIS | ATIS.3GPP.43.051V800-2008 | 8.0.0 | Approved | Jul 10 | https://www.atis.org/docstore/default.aspx |
| TIA | Incl. in TIA/EIA-136-370 as ETSI TS 143 051 v8.0.0 | D-1(E) | Published | Aug 12 | http://www.tiaonline.org/standards/strategic-initiatives/code-division-multiple-access |
| Release 9 | | | | | |
| ATIS | ATIS.3GPP.43.051V900-2014 | 9.0.0 | Approved | May 14 | https://www.atis.org/docstore/default.aspx |
| TIA | Incl. in TIA/EIA-136-370 as ETSI TS 143 051 v9.0.0 | E | Approved | Aug 14 | http://www.tiaonline.org/standards/strategic-initiatives/code-division-multiple-access |

5.4.2.5.45 TS 44.118

Mobile radio interface layer 3 specification; Radio Resource Control (RRC) protocol; Iu mode

This document provides the layer 3 specification for the Radio Resource Control protocol for Iu mode.

| SDO (2) | Document No. | Version | Status | Issued date | Location (1) |
|------------------|----------------------------|---------|----------|-------------|---|
| Release 5 | | | | | |
| ATIS | ATIS.3GPP.44.118V5110-2006 | 5.11.0 | Approved | Apr 06 | https://www.atis.org/docstore/default.aspx |
| Release 6 | | | | | |
| ATIS | ATIS.3GPP.44.118V641-2006 | 6.4.1 | Approved | Apr 06 | https://www.atis.org/docstore/default.aspx |
| Release 7 | | | | | |
| ATIS | ATIS.3GPP.44.118V720-2008 | 7.2.0 | Approved | Oct 08 | https://www.atis.org/docstore/default.aspx |
| Release 8 | | | | | |
| ATIS | ATIS.3GPP.44.118V800-2010 | 8.0.0 | Approved | Jul 10 | https://www.atis.org/docstore/default.aspx |
| Release 9 | | | | | |
| ATIS | ATIS.3GPP.44.118V900-2014 | 9.0.0 | Approved | May 14 | https://www.atis.org/docstore/default.aspx |

5.4.2.5.46 TS 44.160**General Packet Radio Service (GPRS); Mobile station (MS) - Base station system (BSS) interface; Radio Link Control / Medium Access Control (RLC/MAC) protocol; Iu mode**

This document provides the specification for the General Packet Data Service Radio Link Control/Medium Access Control (RLC/MAC) protocol for Iu mode.

| SDO (2) | Document No. | Version | Status | Issued date | Location (1) |
|------------------|---------------------------|---------|----------|-------------|---|
| Release 5 | | | | | |
| ATIS | ATIS.3GPP.44.160V580-2005 | 5.8.0 | Approved | Apr 05 | https://www.atis.org/docstore/default.aspx |
| Release 6 | | | | | |
| ATIS | ATIS.3GPP.44.160V650-2006 | 6.5.0 | Approved | Apr 06 | https://www.atis.org/docstore/default.aspx |
| Release 7 | | | | | |
| ATIS | ATIS.3GPP.44.160V700-2008 | 7.0.0 | Approved | Oct 08 | https://www.atis.org/docstore/default.aspx |
| Release 8 | | | | | |
| ATIS | ATIS.3GPP.44.160V800-2010 | 8.0.0 | Approved | Jul 10 | https://www.atis.org/docstore/default.aspx |
| Release 9 | | | | | |
| ATIS | ATIS.3GPP.44.160V900-2014 | 9.0.0 | Approved | May 14 | https://www.atis.org/docstore/default.aspx |

5.4.2.5.47 TR 45.912**Feasibility study for evolved GSM/EDGE Radio Access Network (GERAN)**

This report describes a feasibility study for the evolved GERAN, the objectives of which are to: increase capacity, coverage and data rates; reduce latency; and enhance service continuity with other RATs; while minimising impacts to infrastructure.

| SDO (2) | Document No. | Version | Status | Issued date | Location (1) |
|---------|--------------|---------|--------|-------------|--------------|
|---------|--------------|---------|--------|-------------|--------------|

Release 7

| SDO (2) | Document No. | Version | Status | Issued date | Location (1) |
|---------|---------------------------|---------|----------|-------------|---|
| ATIS | ATIS.3GPP.45.912V720-2008 | 7.2.0 | Approved | Oct 08 | https://www.atis.org/docstore/default.aspx |

Release 8

| | | | | | |
|------|---------------------------|-------|----------|--------|---|
| ATIS | ATIS.3GPP.45.912V800-2010 | 8.0.0 | Approved | Jul 10 | https://www.atis.org/docstore/default.aspx |
|------|---------------------------|-------|----------|--------|---|

Release 9

| | | | | | |
|------|---------------------------|-------|----------|--------|---|
| ATIS | ATIS.3GPP.45.912V900-2014 | 9.0.0 | Approved | May 14 | https://www.atis.org/docstore/default.aspx |
|------|---------------------------|-------|----------|--------|---|

5.4.2.5.48 TR 45.913**Optimized transmit pulse shape for downlink Enhanced General Packet Radio Service (EGPRS2-B)**

The present document is an output of the 3GPP study item "Optimized Transmit Pulse Shape for Downlink EGPRS2-B" ("WIDER"), the objective of which is to optimise pulse shapes based on optimization criteria to be agreed by TSG GERAN WG1, and provide an evaluation of the optimized pulse shapes in a similar manner as was used in the SAIC feasibility study 45.903.

| SDO (2) | Document No. | Version | Status | Issued date | Location (1) |
|------------------|---------------------------|---------|----------|-------------|---|
| Release 8 | | | | | |
| ATIS | ATIS.3GPP.45.913V800-2012 | 8.0.0 | Approved | Jul 12 | https://www.atis.org/docstore/default.aspx |
| Release 9 | | | | | |
| ATIS | ATIS.3GPP.45.913V900-2014 | 9.0.0 | Approved | May 14 | https://www.atis.org/docstore/default.aspx |

5.4.2.5.49 TR 49.995**General Packet Radio Service (GPRS); Interworking between modified Public Land Mobile Network (PLMN) supporting GPRS and legacy GPRS mobiles**

This report describes issues relating to the GPRS specifications, which lead to the specifications being modified after the placement of GPRS compliant mobiles into the market place. Where possible the report clarifies any recommended measures which may be adopted by the GPRS infrastructure to enable interworking to be obtained between the GPRS infrastructure and legacy Mobile Station (MS) implementations of the GPRS specifications.

| SDO (2) | Document No. | Version | Status | Issued date | Location (1) |
|------------------|---------------------------|---------|----------|-------------|---|
| Release 6 | | | | | |
| ATIS | ATIS.3GPP.49.995V600-2008 | 6.0.0 | Approved | Oct 08 | https://www.atis.org/docstore/default.aspx |
| Release 7 | | | | | |
| ATIS | ATIS.3GPP.49.995V700-2008 | 7.0.0 | Approved | Oct 08 | https://www.atis.org/docstore/default.aspx |
| Release 8 | | | | | |
| ATIS | ATIS.3GPP.49.995V800-2010 | 8.0.0 | Approved | Jul 10 | https://www.atis.org/docstore/default.aspx |
| Release 9 | | | | | |
| ATIS | ATIS.3GPP.49.995V900-2014 | 9.0.0 | Approved | May 14 | https://www.atis.org/docstore/default.aspx |

5.4.2.6 Voice coders**5.4.2.6.1 136-410****ACELP**

This part gives a bit exact description of the ACELP speech and channel codec for a TIA enhanced full rate codec. The codec consists of a 7.4 kbit/s ACELP speech codec and two channel codecs (forward error correction): channel coding 1 (CC1) a 5.6 kbit/s channel codec and channel coding 2 (CC2), a 6.5 kbit/s channel codec. This standard includes a software distribution.

| SDO (2) | Document No. | Version | Status | Issued date | Location (1) |
|---------|-----------------|---------|-----------|-------------|---|
| TIA | TIA/EIA-136-410 | 0 | Published | Nov 99 | http://www.tiaonline.org/standards/strategic-initiatives/code-division-multiple-access |

5.4.2.6.2 136-420**VSELP**

The speech coding algorithm described in this part is a member of a class of speech codecs known as code excited linear predictive coding (CELP), stochastic coding or vector excited speech coding. These techniques use codebooks to vector quantize the excitation (residual) signal. The speech coding algorithm is a variation on CELP called vector-sum excited linear predictive coding (VSELP).

| SDO (2) | Document No. | Version | Status | Issued date | Location (1) |
|---------|-----------------|---------|-----------|-------------|---|
| TIA | TIA/EIA-136-420 | 0 | Published | Mar 99 | http://www.tiaonline.org/standards/strategic-initiatives/code-division-multiple-access |

5.4.2.6.3 136-430**US1**

This part gives a bit exact description of an enhanced ACELP voice coder which runs over a 136+ 8-PSK DTC. The codec consists of a 12.2 kbit/s ACELP speech codec and a 7.75 kbit/s channel codec.

| SDO (2) | Document No. | Version | Status | Issued date | Location (1) |
|---------|-----------------|---------|-----------|-------------|---|
| TIA | TIA/EIA-136-430 | 0 | Published | Nov 99 | http://www.tiaonline.org/standards/strategic-initiatives/code-division-multiple-access |

5.4.2.6.4 136-440**Adaptive Multi-Rate Codec**

This part gives a bit exact description of the Adaptive Multi-rate speech and channel codec that may be operated on a 30 kHz Digital Traffic Channel.

| SDO (2) | Document No. | Version | Status | Issued date | Location (1) |
|-------------------|-----------------|---------|-----------|-------------|---|
| Release 98 | | | | | |
| TIA | TIA/EIA-136-440 | 0 | Published | Apr 01 | http://www.tiaonline.org/standards/strategic-initiatives/code-division-multiple-access |

Release 5

| | | | | | |
|-----|-----------------|--------|-----------|--------|---|
| TIA | TIA/EIA-136-440 | A-1(E) | Published | Jun 05 | http://www.tiaonline.org/standards/strategic-initiatives/code-division-multiple-access |
|-----|-----------------|--------|-----------|--------|---|

Release 6

| | | | | | |
|-----|-----------------|--------|----------|--------|---|
| TIA | TIA/EIA-136-440 | B-1(E) | Approved | Jan 08 | http://www.tiaonline.org/standards/strategic-initiatives/code-division-multiple-access |
|-----|-----------------|--------|----------|--------|---|

Release 7

| | | | | | |
|-----|-----------------|--------|----------|--------|---|
| TIA | TIA/EIA-136-440 | C-1(E) | Approved | Dec 09 | http://www.tiaonline.org/standards/strategic-initiatives/code-division-multiple-access |
|-----|-----------------|--------|----------|--------|---|

Release 8

| | | | | | |
|-----|-----------------|--------|-----------|--------|---|
| TIA | TIA/EIA-136-440 | D-1(E) | Published | Aug 12 | http://www.tiaonline.org/standards/strategic-initiatives/code-division-multiple-access |
|-----|-----------------|--------|-----------|--------|---|

Release 9

| | | | | | |
|-----|-----------------|---|----------|--------|---|
| TIA | TIA/EIA-136-440 | E | Approved | Aug 14 | http://www.tiaonline.org/standards/strategic-initiatives/code-division-multiple-access |
|-----|-----------------|---|----------|--------|---|

5.4.2.6.5 TS 26.071**Mandatory speech CODEC speech processing functions; AMR Speech Codec; General Description**

This document provides an introduction to the set of AMR specifications.

| SDO (2) | Document No. | Version | Status | Issued date | Location (1) |
|-------------------|---|----------------|---------------|--------------------|---|
| Release 98 | | | | | |
| TIA | Incl. in TIA/EIA-136-440 as GSM 06.71 (ETSI EN 301 703) | 0 | Published | Apr 01 | http://www.tiaonline.org/standards/strategic-initiatives/code-division-multiple-access |
| Release 99 | | | | | |
| ATIS | T1.3GPP.26.071V301-2003 | 3.0.1 | Approved | Dec 03 | https://www.atis.org/docstore/default.aspx |
| Release 5 | | | | | |
| ATIS | T1.3GPP.26.071V500-2003 | 5.0.0 | Approved | Mar 03 | https://www.atis.org/docstore/default.aspx |
| TIA | Incl. in TIA/EIA-136-440 as ETSI TS 126 071 v5.0.0) | A | Published | Jan 04 | http://www.tiaonline.org/standards/strategic-initiatives/code-division-multiple-access |
| Release 6 | | | | | |
| ATIS | ATIS.3GPP.26.071V600-2006 | 6.0.0 | Approved | Apr 06 | https://www.atis.org/docstore/default.aspx |
| TIA | Incl. in TIA/EIA-136-440 as ETSI TS 126 071 v6.0.0) | B | Approved | Apr 06 | http://www.tiaonline.org/standards/strategic-initiatives/code-division-multiple-access |
| Release 7 | | | | | |
| ATIS | ATIS.3GPP.26.071V701-2008 | 7.0.1 | Approved | Oct 08 | https://www.atis.org/docstore/default.aspx |
| TIA | Incl. in TIA/EIA-136-440 as ETSI TS 126 071 v7.0.1) | C | Approved | Oct 08 | http://www.tiaonline.org/standards/strategic-initiatives/code-division-multiple-access |
| Release 8 | | | | | |
| ATIS | ATIS.3GPP.26.071V800-2010 | 8.0.0 | Approved | Jul 10 | https://www.atis.org/docstore/default.aspx |
| TIA | Incl. in TIA/EIA-136-440 as ETSI TS 126 071 v8.0.0) | D-1(E) | Published | Aug 12 | http://www.tiaonline.org/standards/strategic-initiatives/code-division-multiple-access |
| Release 9 | | | | | |
| ATIS | ATIS.3GPP.26.071V900-2014 | 9.0.0 | Approved | May 14 | https://www.atis.org/docstore/default.aspx |
| TIA | Incl. in TIA/EIA-136-440 as ETSI TS 126 071 v9.0.0) | E | Approved | Aug 14 | http://www.tiaonline.org/standards/strategic-initiatives/code-division-multiple-access |

5.4.2.6.6 TS 26.073**ANSI-C code for the Adaptive Multi Rate (AMR) Speech Codec**

This document provides the ANSI-C code for the AMR specifications.

| SDO (2) | Document No. | Version | Status | Issued date | Location (1) |
|-------------------|---|---------|-----------|-------------|---|
| Release 98 | | | | | |
| TIA | Incl. in TIA/EIA-136-440 as GSM 06.73 (ETSI EN 301 712) | 0 | Published | Apr 01 | http://www.tiaonline.org/standards/strategic-initiatives/code-division-multiple-access |
| Release 99 | | | | | |
| ATIS | T1.3GPP.26.073V330-2003 | 3.3.0 | Approved | Dec 03 | https://www.atis.org/docstore/default.aspx |
| Release 5 | | | | | |
| ATIS | ATIS.3GPP.26.073V530-2005 | 5.3.0 | Approved | Apr 05 | https://www.atis.org/docstore/default.aspx |
| TIA | Incl. in TIA/EIA-136-440 as ETSI TS 126 073 v5.3.0) | A-1(E) | Published | Jun 05 | http://www.tiaonline.org/standards/strategic-initiatives/code-division-multiple-access |
| Release 6 | | | | | |
| ATIS | ATIS.3GPP.26.073V600-2006 | 6.0.0 | Approved | Apr 06 | https://www.atis.org/docstore/default.aspx |
| TIA | Incl. in TIA/EIA-136-440 as ETSI TS 126 073 v6.0.0) | B | Approved | Apr 06 | http://www.tiaonline.org/standards/strategic-initiatives/code-division-multiple-access |
| Release 7 | | | | | |
| ATIS | ATIS.3GPP.26.073V700-2008 | 7.0.0 | Approved | Oct 08 | https://www.atis.org/docstore/default.aspx |
| TIA | Incl. in TIA/EIA-136-440 as ETSI TS 126 073 v7.0.0) | C | Approved | Oct 08 | http://www.tiaonline.org/standards/strategic-initiatives/code-division-multiple-access |
| Release 8 | | | | | |
| ATIS | ATIS.3GPP.26.073V800-2010 | 8.0.0 | Approved | Jul 10 | https://www.atis.org/docstore/default.aspx |
| TIA | Incl. in TIA/EIA-136-440 as ETSI TS 126 073 v8.0.0) | D-1(E) | Published | Aug 12 | http://www.tiaonline.org/standards/strategic-initiatives/code-division-multiple-access |
| Release 9 | | | | | |
| ATIS | ATIS.3GPP.26.073V900-2014 | 9.0.0 | Approved | May 14 | https://www.atis.org/docstore/default.aspx |
| TIA | Incl. in TIA/EIA-136-440 as ETSI TS 126 073 v9.0.0) | E | Approved | Aug 14 | http://www.tiaonline.org/standards/strategic-initiatives/code-division-multiple-access |

5.4.2.6.7 TS 26.074**Mandatory speech CODEC speech processing functions; Adaptive Multi Rate (AMR) speech codec test sequences**

This document provides the test sequences for the AMR specifications.

| SDO (2) | Document No. | Version | Status | Issued date | Location (1) |
|-------------------|---|---------|-----------|-------------|---|
| Release 98 | | | | | |
| TIA | Incl. in TIA/EIA-136-440 as GSM 06.74 (ETSI EN 301 713) | 0 | Published | Apr 01 | http://www.tiaonline.org/standards/strategic-initiatives/code-division-multiple-access |
| Release 99 | | | | | |

1150

ITU-R M.1457-12

| | | | | | |
|------------------|---|--------|-----------|--------|---|
| ATIS | T1.3GPP.26.074V311-2003 | 3.1.1 | Approved | Dec 03 | https://www.atis.org/docstore/default.aspx |
| Release 5 | | | | | |
| ATIS | T1.3GPP.26.074V500-2003 | 5.0.0 | Approved | Mar 03 | https://www.atis.org/docstore/default.aspx |
| TIA | Incl. in TIA/EIA-136-440 as ETSI TS 126 074 v5.0.0) | A | Published | Jan 04 | http://www.tiaonline.org/standards/strategic-initiatives/code-division-multiple-access |
| Release 6 | | | | | |
| ATIS | ATIS.3GPP.26.074V600-2006 | 6.0.0 | Approved | Apr 06 | https://www.atis.org/docstore/default.aspx |
| TIA | Incl. in TIA/EIA-136-440 as ETSI TS 126 074 v6.0.0) | B | Approved | Apr 06 | http://www.tiaonline.org/standards/strategic-initiatives/code-division-multiple-access |
| Release 7 | | | | | |
| ATIS | ATIS.3GPP.26.074V700-2008 | 7.0.0 | Approved | Oct 08 | https://www.atis.org/docstore/default.aspx |
| TIA | Incl. in TIA/EIA-136-440 as ETSI TS 126 074 v7.0.0) | C | Approved | Oct 08 | http://www.tiaonline.org/standards/strategic-initiatives/code-division-multiple-access |
| Release 8 | | | | | |
| ATIS | ATIS.3GPP.26.074V800-2010 | 8.0.0 | Approved | Jul 10 | https://www.atis.org/docstore/default.aspx |
| TIA | Incl. in TIA/EIA-136-440 as ETSI TS 126 074 v8.0.0) | D-1(E) | Published | Aug 12 | http://www.tiaonline.org/standards/strategic-initiatives/code-division-multiple-access |
| Release 9 | | | | | |
| ATIS | ATIS.3GPP.26.074V900-2014 | 9.0.0 | Approved | May 14 | https://www.atis.org/docstore/default.aspx |
| TIA | Incl. in TIA/EIA-136-440 as ETSI TS 126 074 v9.0.0) | E | Approved | Aug 14 | http://www.tiaonline.org/standards/strategic-initiatives/code-division-multiple-access |

5.4.2.6.8 TS 26.090

Mandatory speech CODEC speech processing functions; Adaptive Multi Rate (AMR) speech codec; Transcoding functions

This document provides the speech coding definition for the AMR specifications.

| SDO (2) | Document No. | Version | Status | Issued date | Location (1) |
|-------------------|--|---------|-----------|-------------|---|
| Release 98 | | | | | |
| TIA | Incl. in TIA/EIA-136-440 as GSM 06.90 (ETSI EN 301 704 | 0 | Published | Apr 01 | http://www.tiaonline.org/standards/strategic-initiatives/code-division-multiple-access |
| Release 99 | | | | | |
| ATIS | T1.3GPP.26.090V310-1999 | 3.1.0 | Approved | Dec 99 | https://www.atis.org/docstore/default.aspx |
| Release 5 | | | | | |
| ATIS | T1.3GPP.26.090V500-2003 | 5.0.0 | Approved | Mar 03 | https://www.atis.org/docstore/default.aspx |
| TIA | Incl. in TIA/EIA-136-440 as ETSI TS 126 090 v5.0.0) | A | Published | Jan 04 | http://www.tiaonline.org/standards/strategic-initiatives/code-division-multiple-access |
| Release 6 | | | | | |
| ATIS | ATIS.3GPP.26.090V600-2006 | 6.0.0 | Approved | Apr 06 | https://www.atis.org/docstore/default.aspx |
| TIA | Incl. in TIA/EIA-136-440 as | B | Approved | Apr 06 | http://www.tiaonline.org/standards/strategic-initiatives/code-division-multiple-access |

ETSI TS 126 090 v6.0.0)

Release 7

| | | | | | |
|------|-----------------------------|-------|----------|--------|---|
| ATIS | ATIS.3GPP.26.090V710-2010 | 7.1.0 | Approved | Jul 10 | https://www.atis.org/docstore/default.aspx |
| TIA | Incl. in TIA/EIA-136-440 as | C | Approved | Oct 08 | http://www.tiaonline.org/standards/strategic-initiatives/code-division-multiple-access |

Release 8

| | | | | | |
|------|--|--------|-----------|--------|---|
| ATIS | ATIS.3GPP.26.090V810-2010 | 8.1.0 | Approved | Jul 10 | https://www.atis.org/docstore/default.aspx |
| TIA | Incl. in TIA/EIA-136-440 as ETSI TS 126 090 v8.1.0) | D-1(E) | Published | Aug 12 | http://www.tiaonline.org/standards/strategic-initiatives/code-division-multiple-access |

Release 9

| | | | | | |
|------|--|-------|----------|--------|---|
| ATIS | ATIS.3GPP.26.090V910-2014 | 9.1.0 | Approved | May 14 | https://www.atis.org/docstore/default.aspx |
| TIA | Incl. in TIA/EIA-136-440 as ETSI TS 126 090 v9.1.0) | E | Approved | Aug 14 | http://www.tiaonline.org/standards/strategic-initiatives/code-division-multiple-access |

5.4.2.6.9 TS 26.091**Mandatory speech CODEC speech processing functions; Adaptive Multi Rate (AMR) speech codec; Error Concealment of lost frames**

This document provides the bad frame masking definition for the AMR speech codec.

| SDO (2) | Document No. | Version | Status | Issued date | Location (1) |
|-------------------|--|---------|-----------|-------------|---|
| Release 98 | | | | | |
| TIA | Incl. in TIA/EIA-136-440 as GSM 06.91 (ETSI EN 301 705) | 0 | Published | Apr 01 | http://www.tiaonline.org/standards/strategic-initiatives/code-division-multiple-access |
| Release 99 | | | | | |
| ATIS | T1.3GPP.26.091V310-1999 | 3.1.0 | Approved | Dec 99 | https://www.atis.org/docstore/default.aspx |
| Release 5 | | | | | |
| ATIS | T1.3GPP.26.091V500-2003 | 5.0.0 | Approved | Mar 03 | https://www.atis.org/docstore/default.aspx |
| TIA | Incl. in TIA/EIA-136-440 as ETSI TS 126 091 v5.0.0) | A | Published | Jan 04 | http://www.tiaonline.org/standards/strategic-initiatives/code-division-multiple-access |
| Release 6 | | | | | |
| ATIS | ATIS.3GPP.26.091V600-2006 | 6.0.0 | Approved | Apr 06 | https://www.atis.org/docstore/default.aspx |
| TIA | Incl. in TIA/EIA-136-440 as ETSI TS 126 091 v6.0.0) | B | Approved | Apr 06 | http://www.tiaonline.org/standards/strategic-initiatives/code-division-multiple-access |
| Release 7 | | | | | |
| ATIS | ATIS.3GPP.26.091V700-2008 | 7.0.0 | Approved | Oct 08 | https://www.atis.org/docstore/default.aspx |
| TIA | Incl. in TIA/EIA-136-440 as ETSI TS 126 091 v7.0.0) | C | Approved | Oct 08 | http://www.tiaonline.org/standards/strategic-initiatives/code-division-multiple-access |
| Release 8 | | | | | |
| ATIS | ATIS.3GPP.26.091V800-2010 | 8.0.0 | Approved | Jul 10 | https://www.atis.org/docstore/default.aspx |
| TIA | Incl. in TIA/EIA-136-440 as ETSI TS 126 091 v8.0.0) | D-1(E) | Published | Aug 12 | http://www.tiaonline.org/standards/strategic-initiatives/code-division-multiple-access |
| Release 9 | | | | | |

| | | | | | |
|------|--|-------|----------|--------|---|
| ATIS | ATIS.3GPP.26.091V900-2014 | 9.0.0 | Approved | May 14 | https://www.atis.org/docstore/default.aspx |
| TIA | Incl. in TIA/EIA-136-440 as ETSI TS 126 091 v9.0.0) | E | Approved | Aug 14 | http://www.tiaonline.org/standards/strategic-initiatives/code-division-multiple-access |

5.4.2.6.10 TS 26.092

Mandatory speech CODEC speech processing functions; Adaptive Multi Rate (AMR) speech codec; Comfort noise aspects

This document provides the comfort noise definition for the AMR speech codec.

| SDO (2) | Document No. | Version | Status | Issued date | Location (1) |
|-------------------|---|---------|-----------|-------------|---|
| Release 98 | | | | | |
| TIA | Incl. in TIA/EIA-136-440 as GSM 06.92 (ETSI EN 301 706 | 0 | Published | Apr 01 | http://www.tiaonline.org/standards/strategic-initiatives/code-division-multiple-access |
| Release 99 | | | | | |
| ATIS | T1.3GPP.26.092V301-1999 | 3.0.1 | Approved | Aug 99 | https://www.atis.org/docstore/default.aspx |
| Release 5 | | | | | |
| ATIS | T1.3GPP.26.092V500-2003 | 5.0.0 | Approved | Mar 03 | https://www.atis.org/docstore/default.aspx |
| TIA | Incl. in TIA/EIA-136-440 as ETSI TS 126 092 v5.0.0) | A | Published | Jan 04 | http://www.tiaonline.org/standards/strategic-initiatives/code-division-multiple-access |
| Release 6 | | | | | |
| ATIS | ATIS.3GPP.26.092V600-2006 | 6.0.0 | Approved | Apr 06 | https://www.atis.org/docstore/default.aspx |
| TIA | Incl. in TIA/EIA-136-440 as ETSI TS 126 092 v6.0.0) | B | Approved | Apr 06 | http://www.tiaonline.org/standards/strategic-initiatives/code-division-multiple-access |
| Release 7 | | | | | |
| ATIS | ATIS.3GPP.26.092V700-2008 | 7.0.0 | Approved | Oct 08 | https://www.atis.org/docstore/default.aspx |
| TIA | Incl. in TIA/EIA-136-440 as ETSI TS 126 092 v7.0.0) | C | Approved | Oct 08 | http://www.tiaonline.org/standards/strategic-initiatives/code-division-multiple-access |
| Release 8 | | | | | |
| ATIS | ATIS.3GPP.26.092V800-2010 | 8.0.0 | Approved | Jul 10 | https://www.atis.org/docstore/default.aspx |
| TIA | Incl. in TIA/EIA-136-440 as ETSI TS 126 092 v8.0.0) | D-1(E) | Published | Aug 12 | http://www.tiaonline.org/standards/strategic-initiatives/code-division-multiple-access |
| Release 9 | | | | | |
| ATIS | ATIS.3GPP.26.092V900-2014 | 9.0.0 | Approved | May 14 | https://www.atis.org/docstore/default.aspx |
| TIA | Incl. in TIA/EIA-136-440 as ETSI TS 126 092 v9.0.0) | E | Approved | Aug 14 | http://www.tiaonline.org/standards/strategic-initiatives/code-division-multiple-access |

5.4.2.6.11 TS 26.093

Mandatory speech CODEC speech processing functions; Adaptive Multi Rate (AMR) speech codec; Source rate controlled operation

This document provides the DTX definition for the AMR speech codec.

| SDO (2) | Document No. | Version | Status | Issued date | Location (1) |
|---------|--------------|---------|--------|-------------|--------------|
|---------|--------------|---------|--------|-------------|--------------|

Release 98

| | | | | | |
|-----|---|---|-----------|--------|---|
| TIA | Incl. in TIA/EIA-136-440 as GSM 06.93 (ETSI EN 301 707) | 0 | Published | Apr 01 | http://www.tiaonline.org/standards/strategic-initiatives/code-division-multiple-access |
|-----|---|---|-----------|--------|---|

Release 99

| | | | | | |
|------|-------------------------|-------|----------|--------|---|
| ATIS | T1.3GPP.26.093V330-2000 | 3.3.0 | Approved | Dec 00 | https://www.atis.org/docstore/default.aspx |
|------|-------------------------|-------|----------|--------|---|

Release 5

| | | | | | |
|------|---|--------|-----------|--------|---|
| ATIS | T1.3GPP.26.093V520-2005 | 5.2.0 | Approved | Apr 05 | https://www.atis.org/docstore/default.aspx |
| TIA | Incl. in TIA/EIA-136-440 as ETSI TS 126 093 v5.2.0) | A-1(E) | Published | Jun 05 | http://www.tiaonline.org/standards/strategic-initiatives/code-division-multiple-access |

Release 6

| | | | | | |
|------|---|--------|----------|--------|---|
| ATIS | ATIS.3GPP.26.093V610-2007 | 6.1.0 | Approved | Oct 07 | https://www.atis.org/docstore/default.aspx |
| TIA | Incl. in TIA/EIA-136-440 as ETSI TS 126 093 v6.1.0) | B-1(E) | Approved | Jan 08 | http://www.tiaonline.org/standards/strategic-initiatives/code-division-multiple-access |

Release 7

| | | | | | |
|------|---|-------|----------|--------|---|
| ATIS | ATIS.3GPP.26.093V700-2008 | 7.0.0 | Approved | Oct 08 | https://www.atis.org/docstore/default.aspx |
| TIA | Incl. in TIA/EIA-136-440 as ETSI TS 126 093 v7.0.0) | C | Approved | Oct 08 | http://www.tiaonline.org/standards/strategic-initiatives/code-division-multiple-access |

Release 8

| | | | | | |
|------|---|--------|-----------|--------|---|
| ATIS | ATIS.3GPP.26.093V800-2010 | 8.0.0 | Approved | Jul 10 | https://www.atis.org/docstore/default.aspx |
| TIA | Incl. in TIA/EIA-136-440 as ETSI TS 126 093 v8.0.0) | D-1(E) | Published | Aug 12 | http://www.tiaonline.org/standards/strategic-initiatives/code-division-multiple-access |

Release 9

| | | | | | |
|------|---|-------|----------|--------|---|
| ATIS | ATIS.3GPP.26.093V900-2014 | 9.0.0 | Approved | May 14 | https://www.atis.org/docstore/default.aspx |
| TIA | Incl. in TIA/EIA-136-440 as ETSI TS 126 093 v9.0.0) | E | Approved | Aug 14 | http://www.tiaonline.org/standards/strategic-initiatives/code-division-multiple-access |

5.4.2.6.12 TS 26.094**Mandatory speech CODEC speech processing functions; Adaptive Multi Rate (AMR) speech codec; Voice Activity Detector (VAD)**

This document provides the VAD definition for the AMR speech codec.

| SDO (2) | Document No. | Version | Status | Issued date | Location (1) |
|-------------------|---|---------|-----------|-------------|---|
| Release 98 | | | | | |
| TIA | Incl. in TIA/EIA-136-440 as GSM 06.94 (ETSI EN 301 708) | 0 | Published | Apr 01 | http://www.tiaonline.org/standards/strategic-initiatives/code-division-multiple-access |
| Release 99 | | | | | |
| ATIS | T1.3GPP.26.094V300-1999 | 3.0.0 | Approved | Oct 99 | https://www.atis.org/docstore/default.aspx |
| Release 5 | | | | | |
| ATIS | T1.3GPP.26.094V500-2003 | 5.0.0 | Approved | Mar 03 | https://www.atis.org/docstore/default.aspx |
| TIA | Incl. in TIA/EIA-136-440 as | A | Published | Jan 04 | http://www.tiaonline.org/standards/strategic-initiatives/code-division-multiple-access |

ETSI TS 126 094 v5.0.0)

Release 6

| | | | | | |
|------|---|--------|----------|--------|---|
| ATIS | ATIS.3GPP.26.094V610-2007 | 6.1.0 | Approved | Oct 07 | https://www.atis.org/docstore/default.aspx |
| TIA | Incl. in TIA/EIA-136-440 as ETSI TS 126 094 v6.1.0) | B-1(E) | Approved | Jan 08 | http://www.tiaonline.org/standards/strategic-initiatives/code-division-multiple-access |

Release 7

| | | | | | |
|------|-----------------------------|-------|----------|--------|---|
| ATIS | ATIS.3GPP.26.094V700-2008 | 7.0.0 | Approved | Oct 08 | https://www.atis.org/docstore/default.aspx |
| TIA | Incl. in TIA/EIA-136-440 as | C | Approved | Oct 08 | http://www.tiaonline.org/standards/strategic-initiatives/code-division-multiple-access |

Release 8

| | | | | | |
|------|---|--------|-----------|--------|---|
| ATIS | ATIS.3GPP.26.094V800-2008 | 8.0.0 | Approved | Jul 10 | https://www.atis.org/docstore/default.aspx |
| TIA | Incl. in TIA/EIA-136-440 as ETSI TS 126 094 v8.0.0) | D-1(E) | Published | Aug 12 | http://www.tiaonline.org/standards/strategic-initiatives/code-division-multiple-access |

Release 9

| | | | | | |
|------|---|-------|----------|--------|---|
| ATIS | ATIS.3GPP.26.094V900-2014 | 9.0.0 | Approved | May 14 | https://www.atis.org/docstore/default.aspx |
| TIA | Incl. in TIA/EIA-136-440 as ETSI TS 126 094 v9.0.0) | E | Approved | Aug 14 | http://www.tiaonline.org/standards/strategic-initiatives/code-division-multiple-access |

5.4.2.6.13 TS 26.101**Mandatory speech codec speech processing functions; Adaptive Multi Rate (AMR) speech codec frame structure**

This document describes a generic frame format for the Adaptive Multi-Rate (AMR) speech codec and the Enhanced Full Rate (GSM-EFR) speech codec. This format is used as a common reference point when interfacing speech frames between different elements of the 3G system and between different systems. Appropriate mappings to and from this generic frame format is used within and between each system element.

| SDO (2) | Document No. | Version | Status | Issued date | Location (1) |
|------------------|---------------------------|---------|----------|-------------|---|
| Release 6 | | | | | |
| ATIS | ATIS.3GPP.26.101V600-2008 | 6.0.0 | Approved | Oct 08 | https://www.atis.org/docstore/default.aspx |
| Release 7 | | | | | |
| ATIS | ATIS.3GPP.26.101V700-2008 | 7.0.0 | Approved | Oct 08 | https://www.atis.org/docstore/default.aspx |
| Release 8 | | | | | |
| ATIS | ATIS.3GPP.26.101V800-2010 | 8.0.0 | Approved | Jul 10 | https://www.atis.org/docstore/default.aspx |
| Release 9 | | | | | |
| ATIS | ATIS.3GPP.26.101V900-2014 | 9.0.0 | Approved | May 14 | https://www.atis.org/docstore/default.aspx |

5.4.2.6.14 TS 26.102**Mandatory speech CODEC; Adaptive Multi Rate (AMR) speech codec; Interface to Iu, Uu and Nb**

This document provides the interface definition for the AMR speech codec to Iu, Uu and Nb interfaces.

| SDO (2) | Document No. | Version | Status | Issued date | Location (1) |
|---------|--------------|---------|--------|-------------|--------------|
|---------|--------------|---------|--------|-------------|--------------|

Release 99

| | | | | | |
|------|---------------------------|-------|----------|--------|---|
| ATIS | ATIS.3GPP.26.102V340-2005 | 3.4.0 | Approved | Apr 05 | https://www.atis.org/docstore/default.aspx |
|------|---------------------------|-------|----------|--------|---|

Release 5

| | | | | | |
|------|---|--------|-----------|--------|---|
| ATIS | ATIS.3GPP.26.102V520-2005 | 5.2.0 | Approved | Apr 05 | https://www.atis.org/docstore/default.aspx |
| TIA | Incl. in TIA/EIA-136-440 as ETSI TS 126 102 v5.2.0) | A-1(E) | Published | Jun 05 | http://www.tiaonline.org/standards/strategic-initiatives/code-division-multiple-access |

Release 6

| | | | | | |
|------|---|-------|----------|--------|---|
| ATIS | ATIS.3GPP.26.102V600-2006 | 6.0.0 | Approved | Apr 06 | https://www.atis.org/docstore/default.aspx |
| TIA | Incl. in TIA/EIA-136-440 as ETSI TS 126 102 v6.0.0) | B | Approved | Apr 06 | http://www.tiaonline.org/standards/strategic-initiatives/code-division-multiple-access |

Release 7

| | | | | | |
|------|---|-------|----------|--------|---|
| ATIS | ATIS.3GPP.26.102V710-2008 | 7.1.0 | Approved | Oct 08 | https://www.atis.org/docstore/default.aspx |
| TIA | Incl. in TIA/EIA-136-440 as ETSI TS 126 102 v7.1.0) | C | Approved | Oct 08 | http://www.tiaonline.org/standards/strategic-initiatives/code-division-multiple-access |

Release 8

| | | | | | |
|------|---|--------|-----------|--------|---|
| ATIS | ATIS.3GPP.26.102V850-2012 | 8.5.0 | Approved | Jul 12 | https://www.atis.org/docstore/default.aspx |
| TIA | Incl. in TIA/EIA-136-440 as ETSI TS 126 102 v8.5.0) | D-1(E) | Published | Aug 12 | http://www.tiaonline.org/standards/strategic-initiatives/code-division-multiple-access |

Release 9

| | | | | | |
|------|---|-------|----------|--------|---|
| ATIS | ATIS.3GPP.26.102V920-2014 | 9.2.0 | Approved | May 14 | https://www.atis.org/docstore/default.aspx |
| TIA | Incl. in TIA/EIA-136-440 as ETSI TS 126 102 v9.2.0) | E | Approved | Aug 14 | http://www.tiaonline.org/standards/strategic-initiatives/code-division-multiple-access |

5.4.2.6.15 TS 26.103**Speech codec list for GSM and UMTS**

This document provides the list of speech codecs for GSM and UMTS.

| SDO (2) | Document No. | Version | Status | Issued date | Location (1) |
|-------------------|---------------------------|----------------|---------------|--------------------|---|
| Release 99 | | | | | |
| ATIS | T1.3GPP.26.103V320-2003 | 3.2.0 | Approved | Dec 03 | https://www.atis.org/docstore/default.aspx |
| Release 5 | | | | | |
| ATIS | ATIS.3GPP.26.103V560-2005 | 5.6.0 | Approved | Apr 05 | https://www.atis.org/docstore/default.aspx |
| Release 6 | | | | | |
| ATIS | ATIS.3GPP.26.103V620-2007 | 6.2.0 | Approved | Oct 07 | https://www.atis.org/docstore/default.aspx |
| Release 7 | | | | | |
| ATIS | ATIS.3GPP.26.103V700-2008 | 7.0.0 | Approved | Oct 08 | https://www.atis.org/docstore/default.aspx |
| Release 8 | | | | | |
| ATIS | ATIS.3GPP.26.103V820-2012 | 8.2.0 | Approved | Jul 12 | https://www.atis.org/docstore/default.aspx |
| Release 9 | | | | | |

ATIS ATIS.3GPP.26.103V910-2014 9.1.0 Approved May 14 <https://www.atis.org/docstore/default.aspx>

5.4.2.6.16 TS 26.104

ANSI-C code for floating point Adaptive Multi Rate (AMR) speech codec

This document provides the ANSI-C code definition for the floating point AMR speech codec.

| SDO (2) | Document No. | Version | Status | Issued date | Location (1) |
|-------------------|---|---------|-----------|-------------|---|
| Release 99 | | | | | |
| ATIS | ATIS.3GPP.26.104V350-2005 | 3.5.0 | Approved | Apr 05 | https://www.atis.org/docstore/default.aspx |
| Release 5 | | | | | |
| ATIS | ATIS.3GPP.26.104V540-2005 | 5.4.0 | Approved | Apr 05 | https://www.atis.org/docstore/default.aspx |
| TIA | Incl. in TIA/EIA-136-440 as ETSI TS 126 104 v5.4.0) | A-1(E) | Published | Jun 05 | http://www.tiaonline.org/standards/strategic-initiatives/code-division-multiple-access |
| Release 6 | | | | | |
| ATIS | ATIS.3GPP.26.104V610-2006 | 6.1.0 | Approved | Apr 06 | https://www.atis.org/docstore/default.aspx |
| TIA | Incl. in TIA/EIA-136-440 as ETSI TS 126 104 v6.1.0) | B | Approved | Apr 06 | http://www.tiaonline.org/standards/strategic-initiatives/code-division-multiple-access |
| Release 7 | | | | | |
| ATIS | ATIS.3GPP.26.104V700-2008 | 7.0.0 | Approved | Oct 08 | https://www.atis.org/docstore/default.aspx |
| TIA | Incl. in TIA/EIA-136-440 as ETSI TS 126 104 v7.0.0) | C | Approved | Oct 08 | http://www.tiaonline.org/standards/strategic-initiatives/code-division-multiple-access |
| Release 8 | | | | | |
| ATIS | ATIS.3GPP.26.104V800-2010 | 8.0.0 | Approved | Jul 10 | https://www.atis.org/docstore/default.aspx |
| TIA | Incl. in TIA/EIA-136-440 as ETSI TS 126 104 v8.0.0) | D-1(E) | Published | Aug 12 | http://www.tiaonline.org/standards/strategic-initiatives/code-division-multiple-access |
| Release 9 | | | | | |
| ATIS | ATIS.3GPP.26.104V900-2014 | 9.0.0 | Approved | May 14 | https://www.atis.org/docstore/default.aspx |
| TIA | Incl. in TIA/EIA-136-440 as ETSI TS 126 104 v9.0.0) | E | Approved | Aug 14 | http://www.tiaonline.org/standards/strategic-initiatives/code-division-multiple-access |

5.4.2.6.17 TS 26.110

Codec for circuit switched multimedia telephony service; General description

This document provides the general description for the codec used for multimedia telephony service.

| SDO (2) | Document No. | Version | Status | Issued date | Location (1) |
|-------------------|-----------------------------|---------|-----------|-------------|---|
| Release 99 | | | | | |
| ATIS | T1.3GPP.26.110V310-2001 | 3.1.0 | Approved | Mar 01 | https://www.atis.org/docstore/default.aspx |
| Release 5 | | | | | |
| ATIS | T1.3GPP.26.110V500-2003 | 5.0.0 | Approved | Mar 03 | https://www.atis.org/docstore/default.aspx |
| TIA | Incl. in TIA/EIA-136-440 as | A | Published | Jan 04 | http://www.tiaonline.org/standards/strategic-initiatives/code-division-multiple-access |

ETSI TS 126 110 v5.0.0)

Release 6

| | | | | | |
|------|--|-------|----------|--------|---|
| ATIS | ATIS.3GPP.26.110V600-2006 | 6.0.0 | Approved | Apr 06 | https://www.atis.org/docstore/default.aspx |
| TIA | Incl. in TIA/EIA-136-440 as ETSI TS 126 110 v6.0.0) | B | Approved | Apr 06 | http://www.tiaonline.org/standards/strategic-initiatives/code-division-multiple-access |

Release 7

| | | | | | |
|------|--|-------|----------|--------|---|
| ATIS | ATIS.3GPP.26.110V700-2008 | 7.0.0 | Approved | Oct 08 | https://www.atis.org/docstore/default.aspx |
| TIA | Incl. in TIA/EIA-136-440 as ETSI TS 126 110 v7.0.0) | C | Approved | Oct 08 | http://www.tiaonline.org/standards/strategic-initiatives/code-division-multiple-access |

Release 8

| | | | | | |
|------|--|--------|-----------|--------|---|
| ATIS | ATIS.3GPP.26.110V800-2010 | 8.0.0 | Approved | Jul 10 | https://www.atis.org/docstore/default.aspx |
| TIA | Incl. in TIA/EIA-136-440 as ETSI TS 126 110 v8.0.0) | D-1(E) | Published | Aug 12 | http://www.tiaonline.org/standards/strategic-initiatives/code-division-multiple-access |

Release 9

| | | | | | |
|------|--|-------|----------|--------|---|
| ATIS | ATIS.3GPP.26.110V900-2014 | 9.0.0 | Approved | May 14 | https://www.atis.org/docstore/default.aspx |
| TIA | Incl. in TIA/EIA-136-440 as ETSI TS 126 110 v9.0.0) | E | Approved | Aug 14 | http://www.tiaonline.org/standards/strategic-initiatives/code-division-multiple-access |

5.4.2.6.18 TS 26.111**Codec for circuit switched multimedia telephony service; Modifications to H.324**

This document provides the description for the modifications to H.324 for multimedia telephony service.

| SDO (2) | Document No. | Version | Status | Issued date | Location (1) |
|-------------------|--|---------|-----------|-------------|---|
| Release 99 | | | | | |
| ATIS | T1.3GPP.26.111V340-2000 | 3.4.0 | Approved | Dec 00 | https://www.atis.org/docstore/default.aspx |
| Release 5 | | | | | |
| ATIS | ATIS.3GPP.26.111V510-2005 | 5.1.0 | Approved | Apr 05 | https://www.atis.org/docstore/default.aspx |
| TIA | Incl. in TIA/EIA-136-440 as ETSI TS 126 111 v5.0.0) | A | Published | Jan 04 | http://www.tiaonline.org/standards/strategic-initiatives/code-division-multiple-access |
| Release 6 | | | | | |
| ATIS | ATIS.3GPP.26.111V620-2008 | 6.2.0 | Approved | Oct 08 | https://www.atis.org/docstore/default.aspx |
| TIA | Incl. in TIA/EIA-136-440 as ETSI TS 126 111 v6.1.0) | B | Approved | Apr 06 | http://www.tiaonline.org/standards/strategic-initiatives/code-division-multiple-access |
| Release 7 | | | | | |
| ATIS | ATIS.3GPP.26.111V710-2008 | 7.1.0 | Approved | Oct 08 | https://www.atis.org/docstore/default.aspx |
| TIA | Incl. in TIA/EIA-136-440 as ETSI TS 126 111 v7.1.0) | C | Approved | Oct 08 | http://www.tiaonline.org/standards/strategic-initiatives/code-division-multiple-access |
| Release 8 | | | | | |
| ATIS | ATIS.3GPP.26.111V800-2010 | 8.0.0 | Approved | Jul 10 | https://www.atis.org/docstore/default.aspx |
| TIA | Incl. in TIA/EIA-136-440 as ETSI TS 126 111 v8.0.0) | D-1(E) | Published | Aug 12 | http://www.tiaonline.org/standards/strategic-initiatives/code-division-multiple-access |

Release 9

| | | | | | |
|------|--|-------|----------|--------|---|
| ATIS | ATIS.3GPP.26.111V900-2014 | 9.0.0 | Approved | May 14 | https://www.atis.org/docstore/default.aspx |
| TIA | Incl. in TIA/EIA-136-440 as ETSI TS 126 111 v9.0.0) | E | Approved | Aug 14 | http://www.tiaonline.org/standards/strategic-initiatives/code-division-multiple-access |

5.4.2.6.19 TS 26.226**Cellular text telephone modem ; General description**

This document specifies the Cellular Text Telephone Modem (CTM) which allows reliable transmission of a text telephone conversation alternating with a speech conversation through the existing speech communication paths in cellular mobile phone systems. This reliability is achieved by an improved modulation technique, including error protection, interleaving and synchronization.

| SDO (2) | Document No. | Version | Status | Issued date | Location (1) |
|------------------|---------------------------|---------|----------|-------------|---|
| Release 6 | | | | | |
| ATIS | ATIS.3GPP.26.226V600-2008 | 6.0.0 | Approved | Oct 08 | https://www.atis.org/docstore/default.aspx |
| Release 7 | | | | | |
| ATIS | ATIS.3GPP.26.226V700-2008 | 7.0.0 | Approved | Oct 08 | https://www.atis.org/docstore/default.aspx |
| Release 8 | | | | | |
| ATIS | ATIS.3GPP.26.226V800-2010 | 8.0.0 | Approved | Jul 10 | https://www.atis.org/docstore/default.aspx |
| Release 9 | | | | | |
| ATIS | ATIS.3GPP.26.226V900-2014 | 9.0.0 | Approved | May 14 | https://www.atis.org/docstore/default.aspx |

5.4.2.6.20 TS 26.230**Cellular text telephone modem; Transmitter bit exact C-code**

This document provides the C-code description for the cellular text telephone modem transmitter.

| SDO (2) | Document No. | Version | Status | Issued date | Location (1) |
|------------------|---------------------------|---------|----------|-------------|---|
| Release 5 | | | | | |
| ATIS | ATIS.3GPP.26.230V502-2005 | 5.0.2 | Approved | Apr 05 | https://www.atis.org/docstore/default.aspx |
| Release 6 | | | | | |
| ATIS | ATIS.3GPP.26.230V600-2006 | 6.0.0 | Approved | Apr 06 | https://www.atis.org/docstore/default.aspx |
| Release 7 | | | | | |
| ATIS | ATIS.3GPP.26.230V710-2008 | 7.1.0 | Approved | Oct 08 | https://www.atis.org/docstore/default.aspx |
| Release 8 | | | | | |
| ATIS | ATIS.3GPP.26.230V800-2010 | 8.0.0 | Approved | Jul 10 | https://www.atis.org/docstore/default.aspx |
| Release 9 | | | | | |
| ATIS | ATIS.3GPP.26.230V900-2014 | 9.0.0 | Approved | May 14 | https://www.atis.org/docstore/default.aspx |

5.4.2.6.21 TS 26.231

Cellular text telephone modem; Minimum performance requirements

This document specifies the minimum performance requirements for the cellular text telephone modem.

| SDO (2) | Document No. | Version | Status | Issued date | Location (1) |
|------------------|---------------------------|---------|----------|-------------|---|
| Release 5 | | | | | |
| ATIS | ATIS.3GPP.26.231V521-2006 | 5.2.1 | Approved | Apr 06 | https://www.atis.org/docstore/default.aspx |
| Release 6 | | | | | |
| ATIS | ATIS.3GPP.26.231V602-2006 | 6.0.2 | Approved | Apr 06 | https://www.atis.org/docstore/default.aspx |
| Release 7 | | | | | |
| ATIS | ATIS.3GPP.26.231V700-2008 | 7.0.0 | Approved | Oct 08 | https://www.atis.org/docstore/default.aspx |
| Release 8 | | | | | |
| ATIS | ATIS.3GPP.26.231V800-2010 | 8.0.0 | Approved | Jul 10 | https://www.atis.org/docstore/default.aspx |
| Release 9 | | | | | |
| ATIS | ATIS.3GPP.26.231V900-2014 | 9.0.0 | Approved | May 14 | https://www.atis.org/docstore/default.aspx |

5.4.2.6.22 TS 26.235

Packet switched conversational multimedia applications; Default codecs

This document specifies the default codecs used for packet switched conversational multimedia applications.

| SDO (2) | Document No. | Version | Status | Issued date | Location (1) |
|------------------|---------------------------|---------|----------|-------------|---|
| Release 5 | | | | | |
| ATIS | T1.3GPP.26.235V510-2003 | 5.1.0 | Approved | Mar 03 | https://www.atis.org/docstore/default.aspx |
| Release 6 | | | | | |
| ATIS | ATIS.3GPP.26.235V650-2007 | 6.5.0 | Approved | Oct 07 | https://www.atis.org/docstore/default.aspx |
| Release 7 | | | | | |
| ATIS | ATIS.3GPP.26.235V740-2008 | 7.4.0 | Approved | Oct 08 | https://www.atis.org/docstore/default.aspx |
| Release 8 | | | | | |
| ATIS | ATIS.3GPP.26.235V800-2010 | 8.0.0 | Approved | Jul 10 | https://www.atis.org/docstore/default.aspx |
| Release 9 | | | | | |
| ATIS | ATIS.3GPP.26.235V900-2014 | 9.0.0 | Approved | May 14 | https://www.atis.org/docstore/default.aspx |

5.4.2.6.23 TS 26.244

Transparent end-to-end packet switched streaming service (PSS); 3GPP file format (3GP)

This document defines the 3GPP file format (3GP) as an instance of the ISO base media file format. The definition addresses 3GPP specific features such as codec registration and conformance within the MMS and PSS services. The 3GPP file format can contain timing, structure and media data for multimedia streams and is used by MMS and PSS for timed visual and aural multimedia.

| SDO (2) | Document No. | Version | Status | Issued date | Location (1) |
|------------------|---------------------------|---------|----------|-------------|---|
| Release 6 | | | | | |
| ATIS | ATIS.3GPP.26.244V670-2008 | 6.7.0 | Approved | Oct 08 | https://www.atis.org/docstore/default.aspx |
| Release 7 | | | | | |
| ATIS | ATIS.3GPP.26.244V730-2008 | 7.3.0 | Approved | Oct 08 | https://www.atis.org/docstore/default.aspx |
| Release 8 | | | | | |
| ATIS | ATIS.3GPP.26.244V820-2010 | 8.2.0 | Approved | Jul 10 | https://www.atis.org/docstore/default.aspx |
| Release 9 | | | | | |
| ATIS | ATIS.3GPP.26.244V950-2014 | 9.5.0 | Approved | May 14 | https://www.atis.org/docstore/default.aspx |

5.4.2.6.24 TR 26.911

Codec(s) for Circuit-Switched (CS) multimedia telephony service; Terminal implementor's guide

This document provides a guide to terminal implementors for multimedia telephony service.

| SDO (2) | Document No. | Version | Status | Issued date | Location (1) |
|-------------------|--|---------|-----------|-------------|---|
| Release 99 | | | | | |
| ATIS | ATIS.3GPP.26.911V340-2005 | 3.4.0 | Approved | Apr 05 | https://www.atis.org/docstore/default.aspx |
| Release 5 | | | | | |
| ATIS | ATIS.3GPP.26.911V510-2005 | 5.1.0 | Approved | Apr 05 | https://www.atis.org/docstore/default.aspx |
| TIA | Incl. in TIA/EIA-136-440 as ETSI TR126 911 v5.0.0) | A | Published | Jan 04 | http://www.tiaonline.org/standards/strategic-initiatives/code-division-multiple-access |
| Release 6 | | | | | |
| ATIS | ATIS.3GPP.26.911V600-2006 | 6.0.0 | Approved | Apr 06 | https://www.atis.org/docstore/default.aspx |
| TIA | Incl. in TIA/EIA-136-440 as ETSI TR126 911 v6.0.0) | B | Approved | Apr 06 | http://www.tiaonline.org/standards/strategic-initiatives/code-division-multiple-access |
| Release 7 | | | | | |
| ATIS | ATIS.3GPP.26.911V710-2008 | 7.1.0 | Approved | Oct 08 | https://www.atis.org/docstore/default.aspx |
| TIA | Incl. in TIA/EIA-136-440 as ETSI TR126 911 v7.1.0) | C | Approved | Oct 08 | http://www.tiaonline.org/standards/strategic-initiatives/code-division-multiple-access |
| Release 8 | | | | | |
| ATIS | ATIS.3GPP.26.911V800-2010 | 8.0.0 | Approved | Jul 10 | https://www.atis.org/docstore/default.aspx |
| TIA | Incl. in TIA/EIA-136-440 as ETSI TR126 911 v8.0.0) | D-1(E) | Published | Aug 12 | http://www.tiaonline.org/standards/strategic-initiatives/code-division-multiple-access |
| Release 9 | | | | | |
| ATIS | ATIS.3GPP.26.911V900-2014 | 9.0.0 | Approved | May 14 | https://www.atis.org/docstore/default.aspx |
| TIA | Incl. in TIA/EIA-136-440 as ETSI TR126 911 v9.0.0) | E | Approved | Aug 14 | http://www.tiaonline.org/standards/strategic-initiatives/code-division-multiple-access |

5.4.2.6.25 TR 26.975

Performance characterisation of the Adaptive Multi Rate (AMR) speech codec

This document provides a performance characterization of the AMR codec.

| SDO (2) | Document No. | Version | Status | Issued date | Location (1) |
|-------------------|--|---------|-----------|-------------|---|
| Release 99 | | | | | |
| ATIS | T1.3GPP.26.975V310-2003 | 3.1.0 | Approved | Dec 03 | https://www.atis.org/docstore/default.aspx |
| Release 5 | | | | | |
| ATIS | T1.3GPP.26.975V500-2003 | 5.0.0 | Approved | Mar 03 | https://www.atis.org/docstore/default.aspx |
| TIA | Incl. in TIA/EIA-136-440 as ETSI TR126 975 v5.0.0) | A | Published | Jan 04 | http://www.tiaonline.org/standards/strategic-initiatives/code-division-multiple-access |
| Release 6 | | | | | |
| ATIS | ATIS.3GPP.26.975V600-2006 | 6.0.0 | Approved | Apr 06 | https://www.atis.org/docstore/default.aspx |
| TIA | Incl. in TIA/EIA-136-440 as ETSI TR126 975 v6.0.0) | B | Approved | Apr 06 | http://www.tiaonline.org/standards/strategic-initiatives/code-division-multiple-access |
| Release 7 | | | | | |
| ATIS | ATIS.3GPP.26.975V700-2008 | 7.0.0 | Approved | Oct 08 | https://www.atis.org/docstore/default.aspx |
| TIA | Incl. in TIA/EIA-136-440 as ETSI TR126 975 v7.0.0) | C | Approved | Oct 08 | http://www.tiaonline.org/standards/strategic-initiatives/code-division-multiple-access |
| Release 8 | | | | | |
| ATIS | ATIS.3GPP.26.975V800-2010 | 8.0.0 | Approved | Jul 10 | https://www.atis.org/docstore/default.aspx |
| TIA | Incl. in TIA/EIA-136-440 as ETSI TR126 975 v8.0.0) | D-1(E) | Published | Aug 12 | http://www.tiaonline.org/standards/strategic-initiatives/code-division-multiple-access |
| Release 9 | | | | | |
| ATIS | ATIS.3GPP.26.975V900-2014 | 9.0.0 | Approved | May 14 | https://www.atis.org/docstore/default.aspx |
| TIA | Incl. in TIA/EIA-136-440 as ETSI TR126 975 v9.0.0) | E | Approved | Aug 14 | http://www.tiaonline.org/standards/strategic-initiatives/code-division-multiple-access |

5.4.2.6.26 TS 28.062

Inband Tandem Free Operation (TFO) of speech codecs; Service description; Stage 3

This document provides a stage 3 service description for inband vocoder tandem free operation.

| SDO (2) | Document No. | Version | Status | Issued date | Location (1) |
|-------------------|---------------------------|---------|----------|-------------|---|
| Release 99 | | | | | |
| ATIS | T1.3GPP.08.62V801-2003 | 8.0.1 | Approved | Dec 03 | https://www.atis.org/docstore/default.aspx |
| Release 5 | | | | | |
| ATIS | ATIS.3GPP.28.062V550-2005 | 5.5.0 | Approved | Apr 05 | https://www.atis.org/docstore/default.aspx |
| Release 6 | | | | | |
| ATIS | ATIS.3GPP.28.062V640-2007 | 6.4.0 | Approved | Oct 07 | https://www.atis.org/docstore/default.aspx |
| Release 7 | | | | | |
| ATIS | ATIS.3GPP.28.062V700-2008 | 7.0.0 | Approved | Oct 08 | https://www.atis.org/docstore/default.aspx |
| Release 8 | | | | | |
| ATIS | ATIS.3GPP.28.062V810-2010 | 8.1.0 | Approved | Jul 10 | https://www.atis.org/docstore/default.aspx |

Release 9

| | | | | | |
|------|---------------------------|-------|----------|--------|---|
| ATIS | ATIS.3GPP.28.062V900-2014 | 9.0.0 | Approved | May 14 | https://www.atis.org/docstore/default.aspx |
|------|---------------------------|-------|----------|--------|---|

5.4.2.6.27 TS 43.050**Transmission Planning aspects of the speech service in the GSM Public Land Mobile Network (PLMN) system**

This document describes the transmission planning aspects for the speech service for the alternate circuit switched component.

| SDO (2) | Document No. | Version | Status | Issued date | Location (1) |
|-------------------|---------------------------|---------|----------|-------------|---|
| Release 99 | | | | | |
| ATIS | T1.3GPP.03.50V811-2003 | 8.1.1 | Approved | Dec 03 | https://www.atis.org/docstore/default.aspx |
| Release 5 | | | | | |
| ATIS | T1.3GPP.43.050V500-2003 | 5.0.0 | Approved | Dec 03 | https://www.atis.org/docstore/default.aspx |
| Release 6 | | | | | |
| ATIS | ATIS.3GPP.43.050V600-2006 | 6.0.0 | Approved | Apr 06 | https://www.atis.org/docstore/default.aspx |
| Release 7 | | | | | |
| ATIS | ATIS.3GPP.43.050V710-2008 | 7.1.0 | Approved | Oct 08 | https://www.atis.org/docstore/default.aspx |
| Release 8 | | | | | |
| ATIS | ATIS.3GPP.43.050V800-2010 | 8.0.0 | Approved | Jul 10 | https://www.atis.org/docstore/default.aspx |
| Release 9 | | | | | |
| ATIS | ATIS.3GPP.43.050V900-2014 | 9.0.0 | Approved | May 14 | https://www.atis.org/docstore/default.aspx |

5.4.2.6.28 TS 46.001**Full rate speech; Processing functions**

This document defines speech processing functions for the full rate vocoder.

| SDO (2) | Document No. | Version | Status | Issued date | Location (1) |
|-------------------|---------------------------|---------|----------|-------------|---|
| Release 99 | | | | | |
| ATIS | T1.3GPP.06.01V801-2003 | 8.0.1 | Approved | Dec 03 | https://www.atis.org/docstore/default.aspx |
| Release 5 | | | | | |
| ATIS | T1.3GPP.46.001V500-2003 | 5.0.0 | Approved | Dec 03 | https://www.atis.org/docstore/default.aspx |
| Release 6 | | | | | |
| ATIS | ATIS.3GPP.46.001V600-2006 | 6.0.0 | Approved | Apr 06 | https://www.atis.org/docstore/default.aspx |
| Release 7 | | | | | |
| ATIS | ATIS.3GPP.46.001V700-2008 | 7.0.0 | Approved | Oct 08 | https://www.atis.org/docstore/default.aspx |
| Release 8 | | | | | |
| ATIS | ATIS.3GPP.46.001V800-2010 | 8.0.0 | Approved | Jul 10 | https://www.atis.org/docstore/default.aspx |
| Release 9 | | | | | |
| ATIS | ATIS.3GPP.46.001V900-2010 | 9.0.0 | Approved | May 14 | https://www.atis.org/docstore/default.aspx |

5.4.2.6.29 TS 46.002**Half rate speech; Half rate speech processing functions**

This document defines speech processing functions for the half rate vocoder.

| SDO (2) | Document No. | Version | Status | Issued date | Location (1) |
|-------------------|---------------------------|---------|----------|-------------|---|
| Release 99 | | | | | |
| ATIS | T1.3GPP.06.02V800-2003 | 8.0.0 | Approved | Dec 03 | https://www.atis.org/docstore/default.aspx |
| Release 5 | | | | | |
| ATIS | T1.3GPP.46.002V500-2003 | 5.0.0 | Approved | Dec 03 | https://www.atis.org/docstore/default.aspx |
| Release 6 | | | | | |
| ATIS | ATIS.3GPP.46.002V600-2006 | 6.0.0 | Approved | Apr 06 | https://www.atis.org/docstore/default.aspx |
| Release 7 | | | | | |
| ATIS | ATIS.3GPP.46.002V700-2008 | 7.0.0 | Approved | Oct 08 | https://www.atis.org/docstore/default.aspx |
| Release 8 | | | | | |
| ATIS | ATIS.3GPP.46.002V800-2010 | 8.0.0 | Approved | Jul 10 | https://www.atis.org/docstore/default.aspx |
| Release 9 | | | | | |
| ATIS | ATIS.3GPP.46.002V900-2014 | 9.0.0 | Approved | May 14 | https://www.atis.org/docstore/default.aspx |

5.4.2.6.30 TS 46.006**Half rate speech; ANSI-C code for the GSM half rate speech codec**

This document provides the ANSI-C code for the half rate vocoder.

| SDO (2) | Document No. | Version | Status | Issued date | Location (1) |
|-------------------|---------------------------|---------|----------|-------------|---|
| Release 99 | | | | | |
| ATIS | T1.3GPP.06.06V801-2003 | 8.0.1 | Approved | Dec 03 | https://www.atis.org/docstore/default.aspx |
| Release 5 | | | | | |
| ATIS | T1.3GPP.46.006V500-2003 | 5.0.0 | Approved | Dec 03 | https://www.atis.org/docstore/default.aspx |
| Release 6 | | | | | |
| ATIS | ATIS.3GPP.46.006V600-2006 | 6.0.0 | Approved | Apr 06 | https://www.atis.org/docstore/default.aspx |
| Release 7 | | | | | |
| ATIS | ATIS.3GPP.46.006V700-2008 | 7.0.0 | Approved | Oct 08 | https://www.atis.org/docstore/default.aspx |
| Release 8 | | | | | |
| ATIS | ATIS.3GPP.46.006V800-2010 | 8.0.0 | Approved | Jul 10 | https://www.atis.org/docstore/default.aspx |
| Release 9 | | | | | |
| ATIS | ATIS.3GPP.46.006V900-2014 | 9.0.0 | Approved | May 14 | https://www.atis.org/docstore/default.aspx |

5.4.2.6.31 TS 46.007**Half rate speech; test sequences for the GSM half rate speech codec**

This document provides the test sequences for the half rate vocoder.

| SDO (2) | Document No. | Version | Status | Issued date | Location (1) |
|-------------------|---------------------------|---------|----------|-------------|---|
| Release 99 | | | | | |
| ATIS | T1.3GPP.06.07V801-2003 | 8.0.1 | Approved | Dec 03 | https://www.atis.org/docstore/default.aspx |
| Release 5 | | | | | |
| ATIS | T1.3GPP.46.007V500-2003 | 5.0.0 | Approved | Dec 03 | https://www.atis.org/docstore/default.aspx |
| Release 6 | | | | | |
| ATIS | ATIS.3GPP.46.007V600-2006 | 6.0.0 | Approved | Apr 06 | https://www.atis.org/docstore/default.aspx |
| Release 7 | | | | | |
| ATIS | ATIS.3GPP.46.007V700-2008 | 7.0.0 | Approved | Oct 08 | https://www.atis.org/docstore/default.aspx |
| Release 8 | | | | | |
| ATIS | ATIS.3GPP.46.007V800-2010 | 8.0.0 | Approved | Jul 10 | https://www.atis.org/docstore/default.aspx |
| Release 9 | | | | | |
| ATIS | ATIS.3GPP.46.007V900-2014 | 9.0.0 | Approved | May 14 | https://www.atis.org/docstore/default.aspx |

5.4.2.6.32 TS 46.008

Half rate speech; Performance characterization of the GSM half rate speech codec

This document provides the performance characterization for the half rate vocoder.

| SDO (2) | Document No. | Version | Status | Issued date | Location (1) |
|-------------------|---------------------------|---------|----------|-------------|---|
| Release 99 | | | | | |
| ATIS | T1.3GPP.06.08V800-2003 | 8.0.0 | Approved | Dec 03 | https://www.atis.org/docstore/default.aspx |
| Release 5 | | | | | |
| ATIS | T1.3GPP.46.008V500-2003 | 5.0.0 | Approved | Dec 03 | https://www.atis.org/docstore/default.aspx |
| Release 6 | | | | | |
| ATIS | ATIS.3GPP.46.008V600-2006 | 6.0.0 | Approved | Apr 06 | https://www.atis.org/docstore/default.aspx |
| Release 7 | | | | | |
| ATIS | ATIS.3GPP.46.008V700-2008 | 7.0.0 | Approved | Oct 08 | https://www.atis.org/docstore/default.aspx |
| Release 8 | | | | | |
| ATIS | ATIS.3GPP.46.008V800-2010 | 8.0.0 | Approved | Jul 10 | https://www.atis.org/docstore/default.aspx |
| Release 9 | | | | | |
| ATIS | ATIS.3GPP.46.008V900-2014 | 9.0.0 | Approved | May 14 | https://www.atis.org/docstore/default.aspx |

5.4.2.6.33 TS 46.010

Full rate speech; Transcoding

This document provides the definition for speech transcoding for the full rate vocoder.

| SDO (2) | Document No. | Version | Status | Issued date | Location (1) |
|-------------------|------------------------|---------|----------|-------------|---|
| Release 99 | | | | | |
| ATIS | T1.3GPP.06.10V820-2003 | 8.2.0 | Approved | Dec 03 | https://www.atis.org/docstore/default.aspx |
| Release 5 | | | | | |

| | | | | | |
|------------------|---------------------------|-------|----------|--------|---|
| ATIS | T1.3GPP.46.010V500-2003 | 5.0.0 | Approved | Dec 03 | https://www.atis.org/docstore/default.aspx |
| Release 6 | | | | | |
| ATIS | ATIS.3GPP.46.010V600-2006 | 6.0.0 | Approved | Apr 06 | https://www.atis.org/docstore/default.aspx |
| Release 7 | | | | | |
| ATIS | ATIS.3GPP.46.010V700-2008 | 7.0.0 | Approved | Oct 08 | https://www.atis.org/docstore/default.aspx |
| Release 8 | | | | | |
| ATIS | ATIS.3GPP.46.010V800-2010 | 8.0.0 | Approved | Jul 10 | https://www.atis.org/docstore/default.aspx |
| Release 9 | | | | | |
| ATIS | ATIS.3GPP.46.010V900-2014 | 9.0.0 | Approved | May 14 | https://www.atis.org/docstore/default.aspx |

5.4.2.6.34 TS 46.011

Full rate speech; Substitution and muting of lost frames for full rate speech channels

This document defines the error concealment functions for full rate vocoder.

| SDO (2) | Document No. | Version | Status | Issued date | Location (1) |
|-------------------|---------------------------|---------|----------|-------------|---|
| Release 99 | | | | | |
| ATIS | T1.3GPP.06.11V801-2003 | 8.0.1 | Approved | Dec 03 | https://www.atis.org/docstore/default.aspx |
| Release 5 | | | | | |
| ATIS | T1.3GPP.46.011V500-2003 | 5.0.0 | Approved | Dec 03 | https://www.atis.org/docstore/default.aspx |
| Release 6 | | | | | |
| ATIS | ATIS.3GPP.46.011V600-2006 | 6.0.0 | Approved | Apr 06 | https://www.atis.org/docstore/default.aspx |
| Release 7 | | | | | |
| ATIS | ATIS.3GPP.46.011V700-2008 | 7.0.0 | Approved | Oct 08 | https://www.atis.org/docstore/default.aspx |
| Release 8 | | | | | |
| ATIS | ATIS.3GPP.46.011V800-2010 | 8.0.0 | Approved | Jul 10 | https://www.atis.org/docstore/default.aspx |
| Release 9 | | | | | |
| ATIS | ATIS.3GPP.46.011V900-2014 | 9.0.0 | Approved | May 14 | https://www.atis.org/docstore/default.aspx |

5.4.2.6.35 TS 46.012

Full rate speech; Comfort noise aspects for full rate speech traffic channels

This document defines the comfort noise functions for the full rate vocoder.

| SDO (2) | Document No. | Version | Status | Issued date | Location (1) |
|-------------------|---------------------------|---------|----------|-------------|---|
| Release 99 | | | | | |
| ATIS | T1.3GPP.06.12V810-2003 | 8.1.0 | Approved | Dec 03 | https://www.atis.org/docstore/default.aspx |
| Release 5 | | | | | |
| ATIS | T1.3GPP.46.012V500-2003 | 5.0.0 | Approved | Dec 03 | https://www.atis.org/docstore/default.aspx |
| Release 6 | | | | | |
| ATIS | ATIS.3GPP.46.012V600-2006 | 6.0.0 | Approved | Apr 06 | https://www.atis.org/docstore/default.aspx |
| Release 7 | | | | | |

| | | | | | |
|------------------|---------------------------|-------|----------|--------|---|
| ATIS | ATIS.3GPP.46.012V700-2008 | 7.0.0 | Approved | Oct 08 | https://www.atis.org/docstore/default.aspx |
| Release 8 | | | | | |
| ATIS | ATIS.3GPP.46.012V800-2010 | 8.0.0 | Approved | Jul 10 | https://www.atis.org/docstore/default.aspx |
| Release 9 | | | | | |
| ATIS | ATIS.3GPP.46.012V900-2014 | 9.0.0 | Approved | May 14 | https://www.atis.org/docstore/default.aspx |

5.4.2.6.36 TS 46.020

Half rate speech; Half rate speech transcoding

This document provides the definition for speech transcoding for the half rate vocoder.

| SDO (2) | Document No. | Version | Status | Issued date | Location (1) |
|-------------------|---------------------------|---------|----------|-------------|---|
| Release 99 | | | | | |
| ATIS | T1.3GPP.06.20V801-2003 | 8.0.1 | Approved | Dec 03 | https://www.atis.org/docstore/default.aspx |
| Release 5 | | | | | |
| ATIS | T1.3GPP.46.020V500-2003 | 5.0.0 | Approved | Dec 03 | https://www.atis.org/docstore/default.aspx |
| Release 6 | | | | | |
| ATIS | ATIS.3GPP.46.020V600-2006 | 6.0.0 | Approved | Apr 06 | https://www.atis.org/docstore/default.aspx |
| Release 7 | | | | | |
| ATIS | ATIS.3GPP.46.020V700-2008 | 7.0.0 | Approved | Oct 08 | https://www.atis.org/docstore/default.aspx |
| Release 8 | | | | | |
| ATIS | ATIS.3GPP.46.020V800-2010 | 8.0.0 | Approved | Jul 10 | https://www.atis.org/docstore/default.aspx |
| Release 9 | | | | | |
| ATIS | ATIS.3GPP.46.020V900-2014 | 9.0.0 | Approved | May 14 | https://www.atis.org/docstore/default.aspx |

5.4.2.6.37 TS 46.021

Half rate speech; Substitution and muting of lost frames for half rate speech traffic channels

This document defines the error concealment functions for half rate vocoder.

| SDO (2) | Document No. | Version | Status | Issued date | Location (1) |
|-------------------|---------------------------|---------|----------|-------------|---|
| Release 99 | | | | | |
| ATIS | T1.3GPP.06.21V801-2003 | 8.0.1 | Approved | Dec 03 | https://www.atis.org/docstore/default.aspx |
| Release 5 | | | | | |
| ATIS | T1.3GPP.46.021V500-2003 | 5.0.0 | Approved | Dec 03 | https://www.atis.org/docstore/default.aspx |
| Release 6 | | | | | |
| ATIS | ATIS.3GPP.46.021V600-2006 | 6.0.0 | Approved | Apr 06 | https://www.atis.org/docstore/default.aspx |
| Release 7 | | | | | |
| ATIS | ATIS.3GPP.46.021V700-2008 | 7.0.0 | Approved | Oct 08 | https://www.atis.org/docstore/default.aspx |
| Release 8 | | | | | |
| ATIS | ATIS.3GPP.46.021V800-2010 | 8.0.0 | Approved | Jul 10 | https://www.atis.org/docstore/default.aspx |

Release 9

| | | | | | |
|------|---------------------------|-------|----------|--------|---|
| ATIS | ATIS.3GPP.46.021V900-2014 | 9.0.0 | Approved | May 14 | https://www.atis.org/docstore/default.aspx |
|------|---------------------------|-------|----------|--------|---|

5.4.2.6.38 TS 46.022**Half rate speech; Comfort noise aspects for the half rate speech traffic channels**

This document defines the comfort noise functions for the half rate vocoder.

| SDO (2) | Document No. | Version | Status | Issued date | Location (1) |
|-------------------|---------------------------|---------|----------|-------------|---|
| Release 99 | | | | | |
| ATIS | T1.3GPP.06.22V801-2003 | 8.0.1 | Approved | Dec 03 | https://www.atis.org/docstore/default.aspx |
| Release 5 | | | | | |
| ATIS | T1.3GPP.46.022V500-2003 | 5.0.0 | Approved | Dec 03 | https://www.atis.org/docstore/default.aspx |
| Release 6 | | | | | |
| ATIS | ATIS.3GPP.46.022V600-2006 | 6.0.0 | Approved | Apr 06 | https://www.atis.org/docstore/default.aspx |
| Release 7 | | | | | |
| ATIS | ATIS.3GPP.46.022V700-2008 | 7.0.0 | Approved | Oct 08 | https://www.atis.org/docstore/default.aspx |
| Release 8 | | | | | |
| ATIS | ATIS.3GPP.46.022V800-2010 | 8.0.0 | Approved | Jul 10 | https://www.atis.org/docstore/default.aspx |
| Release 9 | | | | | |
| ATIS | ATIS.3GPP.46.022V900-2014 | 9.0.0 | Approved | May 14 | https://www.atis.org/docstore/default.aspx |

5.4.2.6.39 TS 46.031**Full rate speech; Discontinuous Transmission (DTX) for full rate speech traffic channels**

This document defines the discontinuous transmission function for the full rate vocoder.

| SDO (2) | Document No. | Version | Status | Issued date | Location (1) |
|-------------------|---------------------------|---------|----------|-------------|---|
| Release 99 | | | | | |
| ATIS | T1.3GPP.06.31V801-2003 | 8.0.1 | Approved | Dec 03 | https://www.atis.org/docstore/default.aspx |
| Release 5 | | | | | |
| ATIS | T1.3GPP.46.031V500-2003 | 5.0.0 | Approved | Dec 03 | https://www.atis.org/docstore/default.aspx |
| Release 6 | | | | | |
| ATIS | ATIS.3GPP.46.031V600-2006 | 6.0.0 | Approved | Apr 06 | https://www.atis.org/docstore/default.aspx |
| Release 7 | | | | | |
| ATIS | ATIS.3GPP.46.031V700-2008 | 7.0.0 | Approved | Oct 08 | https://www.atis.org/docstore/default.aspx |
| Release 8 | | | | | |
| ATIS | ATIS.3GPP.46.031V800-2010 | 8.0.0 | Approved | Jul 10 | https://www.atis.org/docstore/default.aspx |
| Release 9 | | | | | |
| ATIS | ATIS.3GPP.46.031V900-2014 | 9.0.0 | Approved | May 14 | https://www.atis.org/docstore/default.aspx |

5.4.2.6.40 TS 46.032**Full rate speech; Voice Activity Detection (VAD) for full rate speech traffic channels**

This document defines the voice activity detection function for the full rate vocoder.

| SDO (2) | Document No. | Version | Status | Issued date | Location (1) |
|-------------------|---------------------------|---------|----------|-------------|---|
| Release 99 | | | | | |
| ATIS | T1.3GPP.06.32V801-2003 | 8.0.1 | Approved | Dec 03 | https://www.atis.org/docstore/default.aspx |
| Release 5 | | | | | |
| ATIS | T1.3GPP.46.032V500-2003 | 5.0.0 | Approved | Dec 03 | https://www.atis.org/docstore/default.aspx |
| Release 6 | | | | | |
| ATIS | ATIS.3GPP.46.032V600-2006 | 6.0.0 | Approved | Apr 06 | https://www.atis.org/docstore/default.aspx |
| Release 7 | | | | | |
| ATIS | ATIS.3GPP.46.032V700-2008 | 7.0.0 | Approved | Oct 08 | https://www.atis.org/docstore/default.aspx |
| Release 8 | | | | | |
| ATIS | ATIS.3GPP.46.032V800-2010 | 8.0.0 | Approved | Jul 10 | https://www.atis.org/docstore/default.aspx |
| Release 9 | | | | | |
| ATIS | ATIS.3GPP.46.032V900-2014 | 9.0.0 | Approved | May 14 | https://www.atis.org/docstore/default.aspx |

5.4.2.6.41 TS 46.041**Half rate speech; Discontinuous Transmission (DTX) for half rate speech traffic channels**

This document defines the discontinuous transmission function for the half rate vocoder.

| SDO (2) | Document No. | Version | Status | Issued date | Location (1) |
|-------------------|---------------------------|---------|----------|-------------|---|
| Release 99 | | | | | |
| ATIS | T1.3GPP.06.41V801-2003 | 8.0.1 | Approved | Dec 03 | https://www.atis.org/docstore/default.aspx |
| Release 5 | | | | | |
| ATIS | T1.3GPP.46.041V500-2003 | 5.0.0 | Approved | Dec 03 | https://www.atis.org/docstore/default.aspx |
| Release 6 | | | | | |
| ATIS | ATIS.3GPP.46.041V600-2006 | 6.0.0 | Approved | Apr 06 | https://www.atis.org/docstore/default.aspx |
| Release 7 | | | | | |
| ATIS | ATIS.3GPP.46.041V700-2008 | 7.0.0 | Approved | Oct 08 | https://www.atis.org/docstore/default.aspx |
| Release 8 | | | | | |
| ATIS | ATIS.3GPP.46.041V800-2010 | 8.0.0 | Approved | Jul 10 | https://www.atis.org/docstore/default.aspx |
| Release 9 | | | | | |
| ATIS | ATIS.3GPP.46.041V900-2014 | 9.0.0 | Approved | May 14 | https://www.atis.org/docstore/default.aspx |

5.4.2.6.42 TS 46.042**Half rate speech; Voice Activity Detection (VAD) for half rate speech traffic channels**

This document defines the voice activity detection function for the half rate vocoder.

| SDO (2) | Document No. | Version | Status | Issued date | Location (1) |
|-------------------|---------------------------|---------|----------|-------------|---|
| Release 99 | | | | | |
| ATIS | T1.3GPP.06.42V801-2003 | 8.0.1 | Approved | Dec 03 | https://www.atis.org/docstore/default.aspx |
| Release 5 | | | | | |
| ATIS | T1.3GPP.46.042V500-2003 | 5.0.0 | Approved | Dec 03 | https://www.atis.org/docstore/default.aspx |
| Release 6 | | | | | |
| ATIS | ATIS.3GPP.46.042V600-2006 | 6.0.0 | Approved | Apr 06 | https://www.atis.org/docstore/default.aspx |
| Release 7 | | | | | |
| ATIS | ATIS.3GPP.46.042V700-2008 | 7.0.0 | Approved | Oct 08 | https://www.atis.org/docstore/default.aspx |
| Release 8 | | | | | |
| ATIS | ATIS.3GPP.46.042V800-2010 | 8.0.0 | Approved | Jul 10 | https://www.atis.org/docstore/default.aspx |
| Release 9 | | | | | |
| ATIS | ATIS.3GPP.46.042V900-2014 | 9.0.0 | Approved | May 14 | https://www.atis.org/docstore/default.aspx |

5.4.2.6.43 TS 46.051

Enhanced Full Rate (EFR) speech processing functions; General description

This document defines speech processing functions for the enhanced full rate vocoder.

| SDO (2) | Document No. | Version | Status | Issued date | Location (1) |
|-------------------|--------------------------|---------|----------|-------------|---|
| Release 99 | | | | | |
| ATIS | T1.3GPP.06.51V820-2003 | 8.2.0 | Approved | Dec 03 | https://www.atis.org/docstore/default.aspx |
| Release 5 | | | | | |
| ATIS | T1.3GPP.46.051V500-2003 | 5.0.0 | Approved | Dec 03 | https://www.atis.org/docstore/default.aspx |
| Release 6 | | | | | |
| ATIS | ATS.3GPP.46.051V600-2006 | 6.0.0 | Approved | Apr 06 | https://www.atis.org/docstore/default.aspx |
| Release 7 | | | | | |
| ATIS | ATS.3GPP.46.051V700-2008 | 7.0.0 | Approved | Oct 08 | https://www.atis.org/docstore/default.aspx |
| Release 8 | | | | | |
| ATIS | ATS.3GPP.46.051V800-2010 | 8.0.0 | Approved | Jul 10 | https://www.atis.org/docstore/default.aspx |
| Release 9 | | | | | |
| ATIS | ATS.3GPP.46.051V900-2014 | 9.0.0 | Approved | May 14 | https://www.atis.org/docstore/default.aspx |

5.4.2.6.44 TS 46.053

ANSI-C code for the GSM Enhanced Full Rate (EFR) speech codec

This document provides the ANSI-C code for the enhanced full rate vocoder.

| SDO (2) | Document No. | Version | Status | Issued date | Location (1) |
|-------------------|--------------|---------|--------|-------------|--------------|
| Release 99 | | | | | |

1170

ITU-R M.1457-12

| | | | | | |
|------------------|---------------------------|-------|----------|--------|---|
| ATIS | T1.3GPP.06.53V801-2003 | 8.0.1 | Approved | Dec 03 | https://www.atis.org/docstore/default.aspx |
| Release 5 | | | | | |
| ATIS | T1.3GPP.46.053V500-2003 | 5.0.0 | Approved | Dec 03 | https://www.atis.org/docstore/default.aspx |
| Release 6 | | | | | |
| ATIS | ATIS.3GPP.46.053V600-2006 | 6.0.0 | Approved | Apr 06 | https://www.atis.org/docstore/default.aspx |
| Release 7 | | | | | |
| ATIS | ATIS.3GPP.46.053V700-2008 | 7.0.0 | Approved | Oct 08 | https://www.atis.org/docstore/default.aspx |
| Release 8 | | | | | |
| ATIS | ATIS.3GPP.46.053V800-2010 | 8.0.0 | Approved | Jul 10 | https://www.atis.org/docstore/default.aspx |
| Release 9 | | | | | |
| ATIS | ATIS.3GPP.46.053V900-2014 | 9.0.0 | Approved | May 14 | https://www.atis.org/docstore/default.aspx |

5.4.2.6.45 TS 46.054

Test sequences for the GSM Enhanced Full Rate speech codec

This document provides the test sequences for the enhanced full rate vocoder.

| SDO (2) | Document No. | Version | Status | Issued date | Location (1) |
|-------------------|---------------------------|---------|----------|-------------|---|
| Release 99 | | | | | |
| ATIS | T1.3GPP.06.54V820-2003 | 8.2.0 | Approved | Dec 03 | https://www.atis.org/docstore/default.aspx |
| Release 5 | | | | | |
| ATIS | T1.3GPP.46.054V500-2003 | 5.0.0 | Approved | Dec 03 | https://www.atis.org/docstore/default.aspx |
| Release 6 | | | | | |
| ATIS | ATIS.3GPP.46.054V600-2006 | 6.0.0 | Approved | Apr 06 | https://www.atis.org/docstore/default.aspx |
| Release 7 | | | | | |
| ATIS | ATIS.3GPP.46.054V700-2008 | 7.0.0 | Approved | Oct 08 | https://www.atis.org/docstore/default.aspx |
| Release 8 | | | | | |
| ATIS | ATIS.3GPP.46.054V800-2010 | 8.0.0 | Approved | Jul 10 | https://www.atis.org/docstore/default.aspx |
| Release 9 | | | | | |
| ATIS | ATIS.3GPP.46.054V900-2014 | 9.0.0 | Approved | May 14 | https://www.atis.org/docstore/default.aspx |

5.4.2.6.46 TS 46.055

Performance characterization of the GSM Enhanced Full Rate (EFR) speech codec

This document provides the performance characterization for the enhanced full rate vocoder.

| SDO (2) | Document No. | Version | Status | Issued date | Location (1) |
|-------------------|-------------------------|---------|----------|-------------|---|
| Release 99 | | | | | |
| ATIS | T1.3GPP.06.55V800-2003 | 8.0.0 | Approved | Dec 03 | https://www.atis.org/docstore/default.aspx |
| Release 5 | | | | | |
| ATIS | T1.3GPP.46.055V500-2003 | 5.0.0 | Approved | Dec 03 | https://www.atis.org/docstore/default.aspx |
| Release 6 | | | | | |

| | | | | | |
|--------------------------|---------------------------|-------|----------|--------|---|
| ATIS Release 7 | ATIS.3GPP.46.055V600-2006 | 6.0.0 | Approved | Apr 06 | https://www.atis.org/docstore/default.aspx |
| ATIS Release 8 | ATIS.3GPP.46.055V700-2008 | 7.0.0 | Approved | Oct 08 | https://www.atis.org/docstore/default.aspx |
| ATIS Release 9 | ATIS.3GPP.46.055V800-2010 | 8.0.0 | Approved | Jul 10 | https://www.atis.org/docstore/default.aspx |
| ATIS | ATIS.3GPP.46.055V900-2014 | 9.0.0 | Approved | May 14 | https://www.atis.org/docstore/default.aspx |

5.4.2.6.47 TS 46.060

Enhanced Full Rate (EFR) speech transcoding

This document provides the definition for speech transcoding for the enhanced full rate vocoder.

| SDO (2) | Document No. | Version | Status | Issued date | Location (1) |
|--------------------------|---------------------------|---------|----------|-------------|---|
| Release 99 | | | | | |
| ATIS Release 5 | T1.3GPP.06.60V801-2003 | 8.0.1 | Approved | Dec 03 | https://www.atis.org/docstore/default.aspx |
| ATIS Release 6 | T1.3GPP.46.060V500-2003 | 5.0.0 | Approved | Dec 03 | https://www.atis.org/docstore/default.aspx |
| ATIS Release 7 | ATIS.3GPP.46.060V600-2006 | 6.0.0 | Approved | Apr 06 | https://www.atis.org/docstore/default.aspx |
| ATIS Release 8 | ATIS.3GPP.46.060V700-2008 | 7.0.0 | Approved | Oct 08 | https://www.atis.org/docstore/default.aspx |
| ATIS Release 9 | ATIS.3GPP.46.060V800-2010 | 8.0.0 | Approved | Jul 10 | https://www.atis.org/docstore/default.aspx |
| ATIS | ATIS.3GPP.46.060V900-2014 | 9.0.0 | Approved | May 14 | https://www.atis.org/docstore/default.aspx |

5.4.2.6.48 TS 46.061

Substitution and muting of lost frames for Enhanced full Rate (EFR) speech traffic channels

This document defines the error concealment functions for the enhanced full rate vocoder.

| SDO (2) | Document No. | Version | Status | Issued date | Location (1) |
|--------------------------|---------------------------|---------|----------|-------------|---|
| Release 99 | | | | | |
| ATIS Release 5 | T1.3GPP.06.61V801-2003 | 8.0.1 | Approved | Dec 03 | https://www.atis.org/docstore/default.aspx |
| ATIS Release 6 | T1.3GPP.46.061V500-2003 | 5.0.0 | Approved | Dec 03 | https://www.atis.org/docstore/default.aspx |
| ATIS Release 7 | ATIS.3GPP.46.061V600-2006 | 6.0.0 | Approved | Apr 06 | https://www.atis.org/docstore/default.aspx |
| ATIS Release 8 | ATIS.3GPP.46.061V700-2008 | 7.0.0 | Approved | Oct 08 | https://www.atis.org/docstore/default.aspx |

| | | | | | |
|--------------------------|---------------------------|-------|----------|--------|---|
| ATIS Release 9 | ATIS.3GPP.46.061V800-2010 | 8.0.0 | Approved | Jul 10 | https://www.atis.org/docstore/default.aspx |
| ATIS | ATIS.3GPP.46.061V900-2014 | 9.0.0 | Approved | May 14 | https://www.atis.org/docstore/default.aspx |

5.4.2.6.49 TS 46.062

Comfort noise aspects for Enhanced Full Rate (EFR) speech traffic channels

This document defines the comfort noise functions for the enhanced full rate vocoder.

| SDO (2) | Document No. | Version | Status | Issued date | Location (1) |
|-------------------|---------------------------|---------|----------|-------------|---|
| Release 99 | | | | | |
| ATIS | T1.3GPP.06.62V801-2003 | 8.0.1 | Approved | Dec 03 | https://www.atis.org/docstore/default.aspx |
| Release 5 | | | | | |
| ATIS | T1.3GPP.46.062V500-2003 | 5.0.0 | Approved | Dec 03 | https://www.atis.org/docstore/default.aspx |
| Release 6 | | | | | |
| ATIS | ATIS.3GPP.46.062V600-2006 | 6.0.0 | Approved | Apr 06 | https://www.atis.org/docstore/default.aspx |
| Release 7 | | | | | |
| ATIS | ATIS.3GPP.46.062V700-2008 | 7.0.0 | Approved | Oct 08 | https://www.atis.org/docstore/default.aspx |
| Release 8 | | | | | |
| ATIS | ATIS.3GPP.46.062V800-2010 | 8.0.0 | Approved | Jul 10 | https://www.atis.org/docstore/default.aspx |
| Release 9 | | | | | |
| ATIS | ATIS.3GPP.46.062V900-2014 | 9.0.0 | Approved | May 14 | https://www.atis.org/docstore/default.aspx |

5.4.2.6.50 TS 46.081

Discontinuous Transmission (DTX) for Enhanced Full Rate (EFR) speech traffic channels

This document defines the discontinuous transmission function for the enhanced full rate vocoder.

| SDO (2) | Document No. | Version | Status | Issued date | Location (1) |
|-------------------|---------------------------|---------|----------|-------------|---|
| Release 99 | | | | | |
| ATIS | T1.3GPP.06.81V801-2003 | 8.0.1 | Approved | Dec 03 | https://www.atis.org/docstore/default.aspx |
| Release 5 | | | | | |
| ATIS | T1.3GPP.46.081V500-2003 | 5.0.0 | Approved | Dec 03 | https://www.atis.org/docstore/default.aspx |
| Release 6 | | | | | |
| ATIS | ATIS.3GPP.46.081V600-2006 | 6.0.0 | Approved | Apr 06 | https://www.atis.org/docstore/default.aspx |
| Release 7 | | | | | |
| ATIS | ATIS.3GPP.46.081V700-2008 | 7.0.0 | Approved | Oct 08 | https://www.atis.org/docstore/default.aspx |
| Release 8 | | | | | |
| ATIS | ATIS.3GPP.46.081V800-2010 | 8.0.0 | Approved | Jul 10 | https://www.atis.org/docstore/default.aspx |
| Release 9 | | | | | |

ATIS ATIS.3GPP.46.081V900-2014 9.0.0 Approved May 14 <https://www.atis.org/docstore/default.aspx>

5.4.2.6.51 TS 46.082

Voice Activity Detection (VAD) for Enhanced Full Rate (EFR) speech traffic channels

This document defines the voice activity detection function for the enhanced full rate vocoder.

| SDO (2) | Document No. | Version | Status | Issued date | Location (1) |
|-------------------|---------------------------|---------|----------|-------------|---|
| Release 99 | | | | | |
| ATIS | T1.3GPP.06.82V801-2003 | 8.0.1 | Approved | Dec 03 | https://www.atis.org/docstore/default.aspx |
| Release 5 | | | | | |
| ATIS | T1.3GPP.46.082V500-2003 | 5.0.0 | Approved | Dec 03 | https://www.atis.org/docstore/default.aspx |
| Release 6 | | | | | |
| ATIS | ATIS.3GPP.46.082V600-2006 | 6.0.0 | Approved | Apr 06 | https://www.atis.org/docstore/default.aspx |
| Release 7 | | | | | |
| ATIS | ATIS.3GPP.46.082V701-2008 | 7.0.1 | Approved | Oct 08 | https://www.atis.org/docstore/default.aspx |
| Release 8 | | | | | |
| ATIS | ATIS.3GPP.46.082V800-2010 | 8.0.0 | Approved | Jul 10 | https://www.atis.org/docstore/default.aspx |
| Release 9 | | | | | |
| ATIS | ATIS.3GPP.46.082V900-2014 | 9.0.0 | Approved | May 14 | https://www.atis.org/docstore/default.aspx |

5.4.2.6.52 TS 48.060

In-band control of remote transcoders and rate adaptors for full rate traffic channels

This document defines in-band control of remote transcoders and rate adaptors for enhanced full rate and full rate vocoders.

| SDO (2) | Document No. | Version | Status | Issued date | Location (1) |
|-------------------|---------------------------|---------|----------|-------------|---|
| Release 99 | | | | | |
| ATIS | ATIS.3GPP.08.60V821-2003 | 8.2.1 | Approved | Dec 03 | https://www.atis.org/docstore/default.aspx |
| Release 5 | | | | | |
| ATIS | ATIS.3GPP.48.060V530-2007 | 5.3.0 | Approved | Oct 07 | https://www.atis.org/docstore/default.aspx |
| Release 6 | | | | | |
| ATIS | ATIS.3GPP.48.060V610-2007 | 6.1.0 | Approved | Oct 07 | https://www.atis.org/docstore/default.aspx |
| Release 7 | | | | | |
| ATIS | ATIS.3GPP.48.060V700-2008 | 7.0.0 | Approved | Oct 08 | https://www.atis.org/docstore/default.aspx |
| Release 8 | | | | | |
| ATIS | ATIS.3GPP.48.060V800-2010 | 8.0.0 | Approved | Jul 10 | https://www.atis.org/docstore/default.aspx |
| Release 9 | | | | | |
| ATIS | ATIS.3GPP.48.060V900-2014 | 9.0.0 | Approved | May 14 | https://www.atis.org/docstore/default.aspx |

5.4.2.6.53 TS 48.061

In-band control of remote transcoders and rate adaptors for half rate traffic channels

This document defines in-band control of remote transcoders and rate adaptors for half rate vocoders.

| SDO (2) | Document No. | Version | Status | Issued date | Location (1) |
|-------------------|---------------------------|---------|----------|-------------|---|
| Release 99 | | | | | |
| ATIS | T1.3GPP.08.61V810-2003 | 8.1.0 | Approved | Dec 03 | https://www.atis.org/docstore/default.aspx |
| Release 5 | | | | | |
| ATIS | T1.3GPP.48.061V500-2003 | 5.0.0 | Approved | Dec 03 | https://www.atis.org/docstore/default.aspx |
| Release 6 | | | | | |
| ATIS | ATIS.3GPP.48.061V600-2006 | 6.0.0 | Approved | Apr 06 | https://www.atis.org/docstore/default.aspx |
| Release 7 | | | | | |
| ATIS | ATIS.3GPP.48.061V700-2008 | 7.0.0 | Approved | Oct 08 | https://www.atis.org/docstore/default.aspx |
| Release 8 | | | | | |
| ATIS | ATIS.3GPP.48.061V800-2010 | 8.0.0 | Approved | Jul 10 | https://www.atis.org/docstore/default.aspx |
| Release 9 | | | | | |
| ATIS | ATIS.3GPP.48.061V900-2014 | 9.0.0 | Approved | May 14 | https://www.atis.org/docstore/default.aspx |

5.4.2.6.54 TS 26.171

Speech codec speech processing functions; Adaptive Multi Rate \hat{u} Wideband (AMR-WB) speech codec; General Description

This document provides an introduction to the set of AMR-Wideband specifications.

| SDO (2) | Document No. | Version | Status | Issued date | Location (1) |
|------------------|---------------------------|---------|----------|-------------|---|
| Release 5 | | | | | |
| ATIS | ATIS.3GPP.26.171V500-2006 | 5.0.0 | Approved | Apr 06 | https://www.atis.org/docstore/default.aspx |
| Release 6 | | | | | |
| ATIS | ATIS.3GPP.26.171V600-2006 | 6.0.0 | Approved | Apr 06 | https://www.atis.org/docstore/default.aspx |
| Release 7 | | | | | |
| ATIS | ATIS.3GPP.26.171V700-2008 | 7.0.0 | Approved | Oct 08 | https://www.atis.org/docstore/default.aspx |
| Release 8 | | | | | |
| ATIS | ATIS.3GPP.26.171V800-2010 | 8.0.0 | Approved | Jul 10 | https://www.atis.org/docstore/default.aspx |
| Release 9 | | | | | |
| ATIS | ATIS.3GPP.26.171V900-2014 | 9.0.0 | Approved | May 14 | https://www.atis.org/docstore/default.aspx |

5.4.2.6.55 TS 26.173

ANSI-C code for the Adaptive Multi Rate-Wideband (AMR-WB) Speech Codec

This document contains an electronic copy of the ANSI_C code for the Adaptive Multi-Rate Wideband codec. The ANSI_C code is necessary for a bit exact implementation of the Adaptive Multi Rate Wideband speech transcoder (3GPP TS 26.190), Voice Activity Detection (3GPP TS 26.194), comfort noise (3GPP TS 26.192), source controlled rate operation (3GPP TS 26.193) and contains example solutions for substituting and muting of lost frames (3GPP TS 26.191).provides the ANSI-C code for the AMR-Wideband specifications.

| SDO (2) | Document No. | Version | Status | Issued date | Location (1) |
|------------------|----------------------------|---------|----------|-------------|---|
| Release 5 | | | | | |
| ATIS | ATIS.3GPP.26.173V5120-2007 | 5.12.0 | Approved | Oct 07 | https://www.atis.org/docstore/default.aspx |
| Release 6 | | | | | |
| ATIS | ATIS.3GPP.26.173V630-2007 | 6.3.0 | Approved | Oct 07 | https://www.atis.org/docstore/default.aspx |
| Release 7 | | | | | |
| ATIS | ATIS.3GPP.26.173V710-2008 | 7.1.0 | Approved | Oct 08 | https://www.atis.org/docstore/default.aspx |
| Release 8 | | | | | |
| ATIS | ATIS.3GPP.26.173V800-2010 | 8.0.0 | Approved | Jul 10 | https://www.atis.org/docstore/default.aspx |
| Release 9 | | | | | |
| ATIS | ATIS.3GPP.26.173V900-2014 | 9.0.0 | Approved | May 14 | https://www.atis.org/docstore/default.aspx |

5.4.2.6.56 TS 26.174

Speech codec speech processing functions; Adaptive Multi Rate-Wideband (AMR-WB) speech codec test sequences

This document provides the test sequences for the AMR-Wideband specifications.

| SDO (2) | Document No. | Version | Status | Issued date | Location (1) |
|------------------|---------------------------|---------|----------|-------------|---|
| Release 5 | | | | | |
| ATIS | ATIS.3GPP.26.174V540-2006 | 5.4.0 | Approved | Apr 06 | https://www.atis.org/docstore/default.aspx |
| Release 6 | | | | | |
| ATIS | ATIS.3GPP.26.174V600-2006 | 6.0.0 | Approved | Apr 06 | https://www.atis.org/docstore/default.aspx |
| Release 7 | | | | | |
| ATIS | ATIS.3GPP.26.174V700-2008 | 7.0.0 | Approved | Oct 08 | https://www.atis.org/docstore/default.aspx |
| Release 8 | | | | | |
| ATIS | ATIS.3GPP.26.174V800-2010 | 8.0.0 | Approved | Jul 10 | https://www.atis.org/docstore/default.aspx |
| Release 9 | | | | | |
| ATIS | ATIS.3GPP.26.174V900-2014 | 9.0.0 | Approved | May 14 | https://www.atis.org/docstore/default.aspx |

5.4.2.6.57 TS 26.190

Speech codec speech processing functions; Adaptive Multi Rate-Wideband (AMR-WB) Speech codec; Transcoding functions

This document provides the speech coding definition for the AMR-Wideband specifications.

| SDO (2) | Document No. | Version | Status | Issued date | Location (1) |
|------------------|---------------------------|---------|----------|-------------|---|
| Release 5 | | | | | |
| ATIS | ATIS.3GPP.26.190V510-2006 | 5.1.0 | Approved | Apr 06 | https://www.atis.org/docstore/default.aspx |
| Release 6 | | | | | |
| ATIS | ATIS.3GPP.26.190V611-2006 | 6.1.1 | Approved | Apr 06 | https://www.atis.org/docstore/default.aspx |
| Release 7 | | | | | |
| ATIS | ATIS.3GPP.26.190V700-2008 | 7.0.0 | Approved | Oct 08 | https://www.atis.org/docstore/default.aspx |

1176

ITU-R M.1457-12

Release 8

ATIS ATIS.3GPP.26.190V800-2010 8.0.0 Approved Jul 10 <https://www.atis.org/docstore/default.aspx>

Release 9

ATIS ATIS.3GPP.26.190V900-2014 9.0.0 Approved May 14 <https://www.atis.org/docstore/default.aspx>

5.4.2.6.58 TS 26.191**Speech codec speech processing functions; Adaptive Multi Rate-Wideband (AMR-WB) speech codec; Error Concealment of erroneous or lost frames**

This document provides the bad frame masking definition for the AMR-Wideband speech codec.

| SDO (2) | Document No. | Version | Status | Issued date | Location (1) |
|------------------|---------------------------|---------|----------|-------------|---|
| Release 5 | | | | | |
| ATIS | ATIS.3GPP.26.191V510-2006 | 5.1.0 | Approved | Apr 06 | https://www.atis.org/docstore/default.aspx |
| Release 6 | | | | | |
| ATIS | ATIS.3GPP.26.191V600-2006 | 6.0.0 | Approved | Apr 06 | https://www.atis.org/docstore/default.aspx |
| Release 7 | | | | | |
| ATIS | ATIS.3GPP.26.191V700-2008 | 7.0.0 | Approved | Oct 08 | https://www.atis.org/docstore/default.aspx |
| Release 8 | | | | | |
| ATIS | ATIS.3GPP.26.191V800-2010 | 8.0.0 | Approved | Jul 10 | https://www.atis.org/docstore/default.aspx |
| Release 9 | | | | | |
| ATIS | ATIS.3GPP.26.191V900-2014 | 9.0.0 | Approved | May 14 | https://www.atis.org/docstore/default.aspx |

5.4.2.6.59 TS 26.192**Speech codec speech processing functions; Adaptive Multi Rate-Wideband (AMR-WB) speech codec; Comfort noise aspects**

This document provides the comfort noise definition for the AMR-Wideband speech codec.

| SDO (2) | Document No. | Version | Status | Issued date | Location (1) |
|------------------|---------------------------|---------|----------|-------------|---|
| Release 5 | | | | | |
| ATIS | ATIS.3GPP.26.192V500-2006 | 5.0.0 | Approved | Apr 06 | https://www.atis.org/docstore/default.aspx |
| Release 6 | | | | | |
| ATIS | ATIS.3GPP.26.192V600-2006 | 6.0.0 | Approved | Apr 06 | https://www.atis.org/docstore/default.aspx |
| Release 7 | | | | | |
| ATIS | ATIS.3GPP.26.192V700-2008 | 7.0.0 | Approved | Oct 08 | https://www.atis.org/docstore/default.aspx |
| Release 8 | | | | | |
| ATIS | ATIS.3GPP.26.192V800-2010 | 8.0.0 | Approved | Jul 10 | https://www.atis.org/docstore/default.aspx |
| Release 9 | | | | | |
| ATIS | ATIS.3GPP.26.192V900-2014 | 9.0.0 | Approved | May 14 | https://www.atis.org/docstore/default.aspx |

5.4.2.6.60 TS 26.193**Speech codec speech processing functions; Adaptive Multi Rate-Wideband (AMR-WB) speech codec; Source rate controlled operation**

This document provides the DTX definition for the AMR-Wideband speech codec.

1178**ITU-R M.1457-12**

| SDO (2) | Document No. | Version | Status | Issued date | Location (1) |
|------------------|---------------------------|---------|----------|-------------|---|
| Release 5 | | | | | |
| ATIS | ATIS.3GPP.26.193V500-2006 | 5.0.0 | Approved | Apr 06 | https://www.atis.org/docstore/default.aspx |
| Release 6 | | | | | |
| ATIS | ATIS.3GPP.26.193V610-2007 | 6.1.0 | Approved | Oct 07 | https://www.atis.org/docstore/default.aspx |
| Release 7 | | | | | |
| ATIS | ATIS.3GPP.26.193V700-2008 | 7.0.0 | Approved | Oct 08 | https://www.atis.org/docstore/default.aspx |
| Release 8 | | | | | |
| ATIS | ATIS.3GPP.26.193V800-2010 | 8.0.0 | Approved | Jul 10 | https://www.atis.org/docstore/default.aspx |
| Release 9 | | | | | |
| ATIS | ATIS.3GPP.26.193V900-2014 | 9.0.0 | Approved | May 14 | https://www.atis.org/docstore/default.aspx |

5.4.2.6.61 TS 26.194**Speech codec speech processing functions; Adaptive Multi Rate-Wideband (AMR-WB) speech codec; Voice Activity Detector (VAD)**

This document provides the VAD definition for the AMR-Wideband speech codec.

| SDO (2) | Document No. | Version | Status | Issued date | Location (1) |
|------------------|---------------------------|---------|----------|-------------|---|
| Release 5 | | | | | |
| ATIS | ATIS.3GPP.26.194V500-2006 | 5.0.0 | Approved | Apr 06 | https://www.atis.org/docstore/default.aspx |
| Release 6 | | | | | |
| ATIS | ATIS.3GPP.26.194V600-2006 | 6.0.0 | Approved | Apr 06 | https://www.atis.org/docstore/default.aspx |
| Release 7 | | | | | |
| ATIS | ATIS.3GPP.26.194V700-2008 | 7.0.0 | Approved | Oct 08 | https://www.atis.org/docstore/default.aspx |
| Release 8 | | | | | |
| ATIS | ATIS.3GPP.26.194V800-2010 | 8.0.0 | Approved | Jul 10 | https://www.atis.org/docstore/default.aspx |
| Release 9 | | | | | |
| ATIS | ATIS.3GPP.26.194V900-2014 | 9.0.0 | Approved | May 14 | https://www.atis.org/docstore/default.aspx |

5.4.2.6.62 TS 26.201**Speech codec speech processing functions; Adaptive Multi Rate-Wideband (AMR-WB) speech codec; Frame Structure**

This document provides the frame structure definition for the AMR-Wideband speech codec.

| SDO (2) | Document No. | Version | Status | Issued date | Location (1) |
|------------------|---------------------------|---------|----------|-------------|---|
| Release 5 | | | | | |
| ATIS | ATIS.3GPP.26.201V500-2006 | 5.0.0 | Approved | Apr 06 | https://www.atis.org/docstore/default.aspx |
| Release 6 | | | | | |
| ATIS | ATIS.3GPP.26.201V600-2006 | 6.0.0 | Approved | Apr 06 | https://www.atis.org/docstore/default.aspx |
| Release 7 | | | | | |
| ATIS | ATIS.3GPP.26.201V710-2008 | 7.1.0 | Approved | Oct 08 | https://www.atis.org/docstore/default.aspx |

Release 8

| SDO (2) | Document No. | Version | Status | Issued date | Location (1) |
|---------|---------------------------|---------|----------|-------------|---|
| ATIS | ATIS.3GPP.26.201V800-2010 | 8.0.0 | Approved | Jul 10 | https://www.atis.org/docstore/default.aspx |

Release 9

| | | | | | |
|------|---------------------------|-------|----------|--------|---|
| ATIS | ATIS.3GPP.26.201V900-2014 | 9.0.0 | Approved | May 14 | https://www.atis.org/docstore/default.aspx |
|------|---------------------------|-------|----------|--------|---|

5.4.2.6.63 TS 26.202**Speech codec speech processing functions; Adaptive Multi Rate-Wideband (AMR-WB) speech codec; Interface to Iu, Uu, and Nb**

This document provides the interface definition for the AMR-Wideband speech codec to Iu, Uu, and Nb interfaces.

| SDO (2) | Document No. | Version | Status | Issued date | Location (1) |
|------------------|---------------------------|---------|----------|-------------|---|
| Release 5 | | | | | |
| ATIS | ATIS.3GPP.26.202V510-2006 | 5.1.0 | Approved | Apr 06 | https://www.atis.org/docstore/default.aspx |
| Release 6 | | | | | |
| ATIS | ATIS.3GPP.26.202V600-2006 | 6.0.0 | Approved | Apr 06 | https://www.atis.org/docstore/default.aspx |
| Release 7 | | | | | |
| ATIS | ATIS.3GPP.26.202V700-2008 | 7.0.0 | Approved | Oct 08 | https://www.atis.org/docstore/default.aspx |
| Release 8 | | | | | |
| ATIS | ATIS.3GPP.26.202V800-2010 | 8.0.0 | Approved | Jul 10 | https://www.atis.org/docstore/default.aspx |
| Release 9 | | | | | |
| ATIS | ATIS.3GPP.26.202V900-2014 | 9.0.0 | Approved | May 14 | https://www.atis.org/docstore/default.aspx |

5.4.2.6.64 TS 26.204**Speech codec speech processing functions; Adaptive Multi Rate-Wideband (AMR-WB) Speech Codec; ANSI-C code**

This document contains an electronic copy of the ANSI_C code for the Floating-point Adaptive Multi-Rate Wideband codec. This floating-point codec specification is mainly targeted to be used in multimedia applications or in packet-based applications.

The bit-exact fixed-point ANSI-C code in 3GPP TS 26.173 remains the preferred implementation for all applications, but the floating-point codec may be used instead of the fixed-point codec when the implementation platform is better suited for a floating-point implementation.

| SDO (2) | Document No. | Version | Status | Issued date | Location (1) |
|------------------|---------------------------|---------|----------|-------------|---|
| Release 5 | | | | | |
| ATIS | ATIS.3GPP.26.204V540-2007 | 5.4.0 | Approved | Oct 07 | https://www.atis.org/docstore/default.aspx |
| Release 6 | | | | | |
| ATIS | ATIS.3GPP.26.204V610-2007 | 6.1.0 | Approved | Oct 07 | https://www.atis.org/docstore/default.aspx |
| Release 7 | | | | | |
| ATIS | ATIS.3GPP.26.204V710-2008 | 7.1.0 | Approved | Oct 08 | https://www.atis.org/docstore/default.aspx |
| Release 8 | | | | | |
| ATIS | ATIS.3GPP.26.204V800-2010 | 8.0.0 | Approved | Jul 10 | https://www.atis.org/docstore/default.aspx |
| Release 9 | | | | | |

ATIS ATIS.3GPP.26.204V900-2014 9.0.0 Approved May 14 <https://www.atis.org/docstore/default.aspx>

5.4.2.6.65 TS 26.243

ANSI-C code for the fixed-point distributed speech recognition extended advanced front-end

This document contains an electronic copy of the ANSI_C code for the Fixed-point Distributed Speech Recognition (DSR) Extended Advanced Front-end. The ANSI_C code is necessary for a bit exact implementation.

| SDO (2) | Document No. | Version | Status | Issued date | Location (1) |
|------------------|---------------------------|---------|----------|-------------|---|
| Release 7 | | | | | |
| ATIS | ATIS.3GPP.26.243V700-2009 | 7.0.0 | Approved | Jul 09 | https://www.atis.org/docstore/default.aspx |
| Release 8 | | | | | |
| ATIS | ATIS.3GPP.26.243V800-2010 | 8.0.0 | Approved | Jul 10 | https://www.atis.org/docstore/default.aspx |
| Release 9 | | | | | |
| ATIS | ATIS.3GPP.26.243V900-2014 | 9.0.0 | Approved | May 14 | https://www.atis.org/docstore/default.aspx |

5.4.2.6.66 TS 26.273

ANSI-C code for the fixed-point Extended Adaptive Multi Rate-Wideband (AMR-WB+) speech codec

This document contains an electronic copy of the ANSI_C code for the Fixed-point Extended Adaptive Multi_Rate Wideband codec as an alternative to the floating-point ANSI-C code specified in 3GPP TS 26.304. The floating-point codec/encoder/decoder specified in this document or the floating-point codec/encoder/decoder specified in 3GPP TS 26.304 may be used depending on if the implementation platform is better suited for a floating-point or a fixed-point implementation.

| SDO (2) | Document No. | Version | Status | Issued date | Location (1) |
|------------------|---------------------------|---------|----------|-------------|---|
| Release 6 | | | | | |
| ATIS | ATIS.3GPP.26.273V650-2008 | 6.5.0 | Approved | Oct 08 | https://www.atis.org/docstore/default.aspx |
| Release 7 | | | | | |
| ATIS | ATIS.3GPP.26.273V700-2008 | 7.0.0 | Approved | Oct 08 | https://www.atis.org/docstore/default.aspx |
| Release 8 | | | | | |
| ATIS | ATIS.3GPP.26.273V800-2010 | 8.0.0 | Approved | Jul 10 | https://www.atis.org/docstore/default.aspx |
| Release 9 | | | | | |
| ATIS | ATIS.3GPP.26.273V900-2014 | 9.0.0 | Approved | May 14 | https://www.atis.org/docstore/default.aspx |

5.4.2.6.67 TS 26.274

Audio codec processing functions; Extended Adaptive Multi Rate-Wideband (AMR-WB+) speech codec; Conformance testing

This document provides the test sequences for the Extended AMR-Wideband (AMR-WB+) specifications.

| SDO (2) | Document No. | Version | Status | Issued date | Location (1) |
|------------------|--------------|---------|--------|-------------|--------------|
| Release 6 | | | | | |

| | | | | | |
|--------------------------|---------------------------|-------|----------|--------|---|
| ATIS Release 7 | ATIS.3GPP.26.274V630-2008 | 6.3.0 | Approved | Oct 08 | https://www.atis.org/docstore/default.aspx |
| ATIS Release 8 | ATIS.3GPP.26.274V700-2008 | 7.0.0 | Approved | Oct 08 | https://www.atis.org/docstore/default.aspx |
| ATIS Release 9 | ATIS.3GPP.26.274V800-2010 | 8.0.0 | Approved | Jul 10 | https://www.atis.org/docstore/default.aspx |
| ATIS | ATIS.3GPP.26.274V900-2010 | 9.0.0 | Approved | May 14 | https://www.atis.org/docstore/default.aspx |

5.4.2.6.68 TS 26.290

Audio codec processing functions; Extended Adaptive Multi Rate-Wideband (AMR-WB+) speech codec; Transcoding functions

This document describes the detailed mapping from input blocks of monophonic or stereophonic audio samples in 16 bit uniform PCM format to encoded blocks and from encoded blocks to output blocks of reconstructed monophonic or stereophonic audio samples. The coding scheme is an extension of the AMR-WB coding scheme and is referred to as extended AMR-WB or AMR-WB+ codec. It comprises all AMR-WB speech codec modes including VAD/DTX as well as extended functionality for encoding general audio signals such as music, speech, mixed, and other signals.

| SDO (2) | Document No. | Version | Status | Issued date | Location (1) |
|------------------|---------------------------|---------|----------|-------------|---|
| Release 6 | | | | | |
| ATIS | ATIS.3GPP.26.290V630-2008 | 6.3.0 | Approved | Oct 08 | https://www.atis.org/docstore/default.aspx |
| Release 7 | | | | | |
| ATIS | ATIS.3GPP.26.290V700-2008 | 7.0.0 | Approved | Oct 08 | https://www.atis.org/docstore/default.aspx |
| Release 8 | | | | | |
| ATIS | ATIS.3GPP.26.290V800-2010 | 8.0.0 | Approved | Jul 10 | https://www.atis.org/docstore/default.aspx |
| Release 9 | | | | | |
| ATIS | ATIS.3GPP.26.290V900-2014 | 9.0.0 | Approved | May 14 | https://www.atis.org/docstore/default.aspx |

5.4.2.6.69 TS 26.304

Extended Adaptive Multi Rate-Wideband (AMR-WB+) codec; Floating-point ANSI-C code

This document contains an electronic copy of the ANSI_C code for the Floating-point Extended Adaptive Multi-Rate Wideband codec as an alternative to the fixed-point ANSI-C code specified in 3GPP TS 26.273. The floating-point codec/encoder/decoder specified in this document or the fixed-point codec/encoder/decoder specified in 3GPP TS 26.273 may be used depending on if the implementation platform is better suited for a floating-point or a fixed-point implementation.

| SDO (2) | Document No. | Version | Status | Issued date | Location (1) |
|------------------|---------------------------|---------|----------|-------------|---|
| Release 6 | | | | | |
| ATIS | ATIS.3GPP.26.304V660-2008 | 6.6.0 | Approved | Oct 08 | https://www.atis.org/docstore/default.aspx |
| Release 7 | | | | | |
| ATIS | ATIS.3GPP.26.304V700-2008 | 7.0.0 | Approved | Oct 08 | https://www.atis.org/docstore/default.aspx |
| Release 8 | | | | | |
| ATIS | ATIS.3GPP.26.304V800-2010 | 8.0.0 | Approved | Jul 10 | https://www.atis.org/docstore/default.aspx |

Release 9

ATIS ATIS.3GPP.26.304V900-2010 9.0.0 Approved May 14 <https://www.atis.org/docstore/default.aspx>

5.4.2.6.70 TS 26.401**General audio codec audio processing functions; Enhanced aacPlus general audio codec; General description**

This document describes the detailed mapping from an MPEG-4 bitstream containing Enhanced aacPlus coded audio to PCM sample output.

The Enhanced aacPlus audio codec is based on the AAC, SBR and Parametric Stereo coding tools defined in the MPEG-4 Audio standard.

In addition it includes further tools such as error concealment, spline resampler, and stereo-to-mono downmix. Also described is the detailed mapping from a PCM sample input to an MPEG-4 bitstream containing Enhanced aacPlus coded audio.

| SDO (2) | Document No. | Version | Status | Issued date | Location (1) |
|------------------|---------------------------|---------|----------|-------------|---|
| Release 6 | | | | | |
| ATIS | ATIS.3GPP.26.401V620-2008 | 6.2.0 | Approved | Oct 08 | https://www.atis.org/docstore/default.aspx |
| Release 7 | | | | | |
| ATIS | ATIS.3GPP.26.401V700-2008 | 7.0.0 | Approved | Oct 08 | https://www.atis.org/docstore/default.aspx |
| Release 8 | | | | | |
| ATIS | ATIS.3GPP.26.401V800-2010 | 8.0.0 | Approved | Jul 10 | https://www.atis.org/docstore/default.aspx |
| Release 9 | | | | | |
| ATIS | ATIS.3GPP.26.401V900-2014 | 9.0.0 | Approved | May 14 | https://www.atis.org/docstore/default.aspx |

5.4.2.6.71 TS 26.402**General audio codec audio processing functions; Enhanced aacPlus general audio codec; Additional decoder tools**

This document describes the error concealment algorithm, SBR parameter downmix and output resampling for the Enhanced aacPlus general audio codec.

| SDO (2) | Document No. | Version | Status | Issued date | Location (1) |
|------------------|---------------------------|---------|----------|-------------|---|
| Release 6 | | | | | |
| ATIS | ATIS.3GPP.26.402V610-2008 | 6.1.0 | Approved | Oct 08 | https://www.atis.org/docstore/default.aspx |
| Release 7 | | | | | |
| ATIS | ATIS.3GPP.26.402V700-2008 | 7.0.0 | Approved | Oct 08 | https://www.atis.org/docstore/default.aspx |
| Release 8 | | | | | |
| ATIS | ATIS.3GPP.26.402V800-2010 | 8.0.0 | Approved | Jul 10 | https://www.atis.org/docstore/default.aspx |
| Release 9 | | | | | |
| ATIS | ATIS.3GPP.26.402V900-2014 | 9.0.0 | Approved | May 14 | https://www.atis.org/docstore/default.aspx |

5.4.2.6.72 TS 26.403**General audio codec audio processing functions; Enhanced aacPlus general audio codec; Encoder specification; Advanced Audio Coding (AAC) part**

This document describes the Advanced Audio Coding (ACC) waveform encoder part of the Enhanced aacPlus general audio codec.

| SDO (2) | Document No. | Version | Status | Issued date | Location (1) |
|------------------|---------------------------|---------|----------|-------------|---|
| Release 6 | | | | | |
| ATIS | ATIS.3GPP.26.403V600-2008 | 6.0.0 | Approved | Oct 08 | https://www.atis.org/docstore/default.aspx |
| Release 7 | | | | | |
| ATIS | ATIS.3GPP.26.403V700-2008 | 7.0.0 | Approved | Oct 08 | https://www.atis.org/docstore/default.aspx |
| Release 8 | | | | | |
| ATIS | ATIS.3GPP.26.403V800-2010 | 8.0.0 | Approved | Jul 10 | https://www.atis.org/docstore/default.aspx |
| Release 9 | | | | | |
| ATIS | ATIS.3GPP.26.403V900-2014 | 9.0.0 | Approved | May 14 | https://www.atis.org/docstore/default.aspx |

5.4.2.6.73 TS 26.404

General audio codec audio processing functions; Enhanced aacPlus general audio codec; Enhanced aacPlus encoder specification; Spectral Band Replication (SBR) part

This document describes the Spectral Band Replication (SBR) high frequency reconstruction encoder part of the Enhanced aacPlus general audio codec.

| SDO (2) | Document No. | Version | Status | Issued date | Location (1) |
|------------------|---------------------------|---------|----------|-------------|---|
| Release 6 | | | | | |
| ATIS | ATIS.3GPP.26.404V600-2008 | 6.0.0 | Approved | Oct 08 | https://www.atis.org/docstore/default.aspx |
| Release 7 | | | | | |
| ATIS | ATIS.3GPP.26.404V700-2008 | 7.0.0 | Approved | Oct 08 | https://www.atis.org/docstore/default.aspx |
| Release 8 | | | | | |
| ATIS | ATIS.3GPP.26.404V800-2010 | 8.0.0 | Approved | Jul 10 | https://www.atis.org/docstore/default.aspx |
| Release 9 | | | | | |
| ATIS | ATIS.3GPP.26.404V900-2014 | 9.0.0 | Approved | May 14 | https://www.atis.org/docstore/default.aspx |

5.4.2.6.74 TS 26.405

General audio codec audio processing functions; Enhanced aacPlus general audio codec; Encoder specification parametric stereo part

This document describes the Parametric stereo encoder part of the Enhanced aacPlus general audio codec. The Parametric Stereo encoding tool estimates parameters characterizing the perceived stereo image of the input signal. These parameters are embedded in the SBR stream.

| SDO (2) | Document No. | Version | Status | Issued date | Location (1) |
|------------------|---------------------------|---------|----------|-------------|---|
| Release 6 | | | | | |
| ATIS | ATIS.3GPP.26.405V610-2008 | 6.1.0 | Approved | Oct 08 | https://www.atis.org/docstore/default.aspx |
| Release 7 | | | | | |
| ATIS | ATIS.3GPP.26.405V700-2008 | 7.0.0 | Approved | Oct 08 | https://www.atis.org/docstore/default.aspx |
| Release 8 | | | | | |

| | | | | | |
|------------------|---------------------------|-------|----------|--------|---|
| ATIS | ATIS.3GPP.26.405V800-2010 | 8.0.0 | Approved | Jul 10 | https://www.atis.org/docstore/default.aspx |
| Release 9 | | | | | |
| ATIS | ATIS.3GPP.26.405V900-2014 | 9.0.0 | Approved | May 14 | https://www.atis.org/docstore/default.aspx |

5.4.2.6.75 TS 26.406

General audio codec audio processing functions; Enhanced aacPlus general audio codec; Conformance testing

This document specifies the digital test sequences and conformance criteria for the Enhanced aacPlus audio codec

| SDO (2) | Document No. | Version | Status | Issued date | Location (1) |
|------------------|---------------------------|---------|----------|-------------|---|
| Release 6 | | | | | |
| ATIS | ATIS.3GPP.26.406V630-2008 | 6.3.0 | Approved | Oct 08 | https://www.atis.org/docstore/default.aspx |
| Release 7 | | | | | |
| ATIS | ATIS.3GPP.26.406V700-2008 | 7.0.0 | Approved | Oct 08 | https://www.atis.org/docstore/default.aspx |
| Release 8 | | | | | |
| ATIS | ATIS.3GPP.26.406V800-2010 | 8.0.0 | Approved | Jul 10 | https://www.atis.org/docstore/default.aspx |
| Release 9 | | | | | |
| ATIS | ATIS.3GPP.26.406V900-2014 | 9.0.0 | Approved | May 14 | https://www.atis.org/docstore/default.aspx |

5.4.2.6.76 TS 26.410

General audio codec audio processing functions; Enhanced aacPlus general audio codec; Floating-point ANSI-C code

This document contains an electronic copy of the ANSI_C code for the Floating-point Enhanced aacPlus codec.

| SDO (2) | Document No. | Version | Status | Issued date | Location (1) |
|------------------|---------------------------|---------|----------|-------------|---|
| Release 6 | | | | | |
| ATIS | ATIS.3GPP.26.410V690-2008 | 6.9.0 | Approved | Oct 08 | https://www.atis.org/docstore/default.aspx |
| Release 7 | | | | | |
| ATIS | ATIS.3GPP.26.410V720-2008 | 7.2.0 | Approved | Oct 08 | https://www.atis.org/docstore/default.aspx |
| Release 8 | | | | | |
| ATIS | ATIS.3GPP.26.410V800-2010 | 8.0.0 | Approved | Jul 10 | https://www.atis.org/docstore/default.aspx |
| Release 9 | | | | | |
| ATIS | ATIS.3GPP.26.410V900-2014 | 9.0.0 | Approved | May 14 | https://www.atis.org/docstore/default.aspx |

5.4.2.6.77 TS 26.411

General audio codec audio processing functions; Enhanced aacPlus general audio codec; Fixed-point ANSI-C code

This document contains an electronic copy of the ANSI_C code for the Fixed-point Enhanced aacPlus codec.

| SDO (2) | Document No. | Version | Status | Issued date | Location (1) |
|------------------|--------------|---------|--------|-------------|--------------|
| Release 6 | | | | | |

| | | | | | |
|------------------|---------------------------|-------|----------|--------|---|
| ATIS | ATIS.3GPP.26.411V660-2008 | 6.6.0 | Approved | Oct 08 | https://www.atis.org/docstore/default.aspx |
| Release 7 | | | | | |
| ATIS | ATIS.3GPP.26.411V730-2008 | 7.3.0 | Approved | Oct 08 | https://www.atis.org/docstore/default.aspx |
| Release 8 | | | | | |
| ATIS | ATIS.3GPP.26.411V800-2010 | 8.0.0 | Approved | Jul 10 | https://www.atis.org/docstore/default.aspx |
| Release 9 | | | | | |
| ATIS | ATIS.3GPP.26.411V900-2014 | 9.0.0 | Approved | May 14 | https://www.atis.org/docstore/default.aspx |

5.4.2.6.78 TS 26.412

Source code for 3GP file format

This document provides information on obtaining reference software for the 3GPP File Format.

| SDO (2) | Document No. | Version | Status | Issued date | Location (1) |
|------------------|---------------------------|---------|----------|-------------|---|
| Release 6 | | | | | |
| ATIS | ATIS.3GPP.26.411V600-2008 | 6.0.0 | Approved | Oct 08 | https://www.atis.org/docstore/default.aspx |
| Release 7 | | | | | |
| ATIS | ATIS.3GPP.26.411V700-2008 | 7.0.0 | Approved | Oct 08 | https://www.atis.org/docstore/default.aspx |
| Release 8 | | | | | |
| ATIS | ATIS.3GPP.26.411V800-2010 | 8.0.0 | Approved | Jul 10 | https://www.atis.org/docstore/default.aspx |
| Release 9 | | | | | |
| ATIS | ATIS.3GPP.26.411V900-2014 | 9.0.0 | Approved | May 14 | https://www.atis.org/docstore/default.aspx |

5.4.2.6.79 TR 26.902

Video codec performance

This document contains a technical report on Video Codec Performance, for packet-switched video-capable multimedia services.

| SDO (2) | Document No. | Version | Status | Issued date | Location (1) |
|------------------|---------------------------|---------|----------|-------------|---|
| Release 7 | | | | | |
| ATIS | ATIS.3GPP.26.902V712-2008 | 7.1.2 | Approved | Oct 08 | https://www.atis.org/docstore/default.aspx |
| Release 8 | | | | | |
| ATIS | ATIS.3GPP.26.902V800-2010 | 8.0.0 | Approved | Jul 10 | https://www.atis.org/docstore/default.aspx |
| Release 9 | | | | | |
| ATIS | ATIS.3GPP.26.902V900-2014 | 9.0.0 | Approved | May 14 | https://www.atis.org/docstore/default.aspx |

5.4.2.6.80 TR 26.914

Multimedia telephony over IP Multimedia Subsystem (IMS); Optimization opportunities

This document identifies opportunities for optimization of service quality and efficiency of Multimedia telephony over IP in a qualitative sense and

provides the basis for developing a set of optional backward-compatible tools implementing such optimizations.

| SDO (2) | Document No. | Version | Status | Issued date | Location (1) |
|------------------|---------------------------|---------|----------|-------------|---|
| Release 7 | | | | | |
| ATIS | ATIS.3GPP.26.914V700-2008 | 7.0.0 | Approved | Oct 08 | https://www.atis.org/docstore/default.aspx |
| Release 8 | | | | | |
| ATIS | ATIS.3GPP.26.914V800-2010 | 8.0.0 | Approved | Jul 10 | https://www.atis.org/docstore/default.aspx |
| Release 9 | | | | | |
| ATIS | ATIS.3GPP.26.914V900-2014 | 9.0.0 | Approved | May 14 | https://www.atis.org/docstore/default.aspx |

5.4.2.6.81 TR 26.935

Packet Switched (PS) conversational Multimedia applications; Performance characterisation of default codecs

This document provides information on the performances of default speech codecs in packet switched conversational multimedia applications. The codecs under test are AMR-NB (Adaptive Multi-Rate Narrowband) and AMR-WB (Adaptive Multi-Rate Wideband). In addition, several ITU-T codecs (G.723.1, G.729, G.722 and G.711) are included in the testing. Experimental test results from the speech quality testing are reported to illustrate the behaviour of these codecs.

| SDO (2) | Document No. | Version | Status | Issued date | Location (1) |
|------------------|---------------------------|---------|----------|-------------|---|
| Release 6 | | | | | |
| ATIS | ATIS.3GPP.26.935V600-2008 | 6.0.0 | Approved | Oct 08 | https://www.atis.org/docstore/default.aspx |
| Release 7 | | | | | |
| ATIS | ATIS.3GPP.26.935V720-2008 | 7.2.0 | Approved | Oct 08 | https://www.atis.org/docstore/default.aspx |
| Release 8 | | | | | |
| ATIS | ATIS.3GPP.26.935V800-2010 | 8.0.0 | Approved | Jul 10 | https://www.atis.org/docstore/default.aspx |
| Release 9 | | | | | |
| ATIS | ATIS.3GPP.26.935V900-2014 | 9.0.0 | Approved | May 14 | https://www.atis.org/docstore/default.aspx |

5.4.2.6.82 TR 26.936

Performance characterisation of 3GPP audio codecs

This document contains a Technical Report for the Characterization of the 3GPP Audio Codecs, Enhanced aacPlus (Eaac+) and Extended AMR-WB (AMR-WB+), standardized by 3GPP in Release 6 for Packet-switched Streaming Service (PSS), Multimedia Messaging Service (MMS), Multimedia Broadcast and Multicast Service (MBMS), and IMS Messaging Service and Presence Service.

| SDO (2) | Document No. | Version | Status | Issued date | Location (1) |
|------------------|---------------------------|---------|----------|-------------|---|
| Release 6 | | | | | |
| ATIS | ATIS.3GPP.26.936V610-2008 | 6.1.0 | Approved | Oct 08 | https://www.atis.org/docstore/default.aspx |
| Release 7 | | | | | |
| ATIS | ATIS.3GPP.26.936V700-2008 | 7.0.0 | Approved | Oct 08 | https://www.atis.org/docstore/default.aspx |
| Release 8 | | | | | |

| | | | | | |
|--------------------------|---------------------------|-------|----------|--------|---|
| ATIS Release 9 | ATIS.3GPP.26.936V800-2010 | 8.0.0 | Approved | Jul 10 | https://www.atis.org/docstore/default.aspx |
| ATIS | ATIS.3GPP.26.936V900-2014 | 9.0.0 | Approved | May 14 | https://www.atis.org/docstore/default.aspx |

5.4.2.6.83 TR 26.943

Recognition performance evaluations of codecs for Speech Enabled Services (SES)

This document provides information on the recognition performance of the DSR Extended Advanced Front End conducted by speech recognition vendors IBM and Scansoft for the selection of a codec for Speech Enabled Services. The performance results are provided both as absolute word error rates for DSR and AMR-NB/AMR-WB on a range of extensive evaluation databases and as relative word error rate reductions when compared to both the AMR-NB and AMR-WB codecs.

| SDO (2) | Document No. | Version | Status | Issued date | Location (1) |
|------------------|---------------------------|---------|----------|-------------|---|
| Release 6 | | | | | |
| ATIS | ATIS.3GPP.26.943V600-2008 | 6.0.0 | Approved | Oct 08 | https://www.atis.org/docstore/default.aspx |
| Release 7 | | | | | |
| ATIS | ATIS.3GPP.26.943V700-2008 | 7.0.0 | Approved | Oct 08 | https://www.atis.org/docstore/default.aspx |
| Release 8 | | | | | |
| ATIS | ATIS.3GPP.26.943V800-2010 | 8.0.0 | Approved | Jul 10 | https://www.atis.org/docstore/default.aspx |
| Release 9 | | | | | |
| ATIS | ATIS.3GPP.26.943V900-2014 | 9.0.0 | Approved | May 14 | https://www.atis.org/docstore/default.aspx |

5.4.2.6.84 TR 26.946

Multimedia Broadcast/Multicast Service (MBMS) user service guidelines

This document provides an overview of the MBMS System, and describes how the MBMS User Services use the MBMS Bearer Services and how MBMS user services can be built on top of the MBMS bearer service. The document describes the usage of the two delivery methods, streaming and download. Examples of applications using the download delivery method are news and software upgrades. Delivery of live music is an example of an application using the streaming delivery method.

| SDO (2) | Document No. | Version | Status | Issued date | Location (1) |
|------------------|---------------------------|---------|----------|-------------|---|
| Release 6 | | | | | |
| ATIS | ATIS.3GPP.26.946V610-2008 | 6.1.0 | Approved | Oct 08 | https://www.atis.org/docstore/default.aspx |
| Release 7 | | | | | |
| ATIS | ATIS.3GPP.26.946V700-2008 | 7.0.0 | Approved | Oct 08 | https://www.atis.org/docstore/default.aspx |
| Release 8 | | | | | |

| | | | | | |
|------------------|---------------------------|-------|----------|--------|---|
| ATIS | ATIS.3GPP.26.946V800-2010 | 8.0.0 | Approved | Jul 10 | https://www.atis.org/docstore/default.aspx |
| Release 9 | | | | | |
| ATIS | ATIS.3GPP.26.946V901-2014 | 9.0.1 | Approved | May 14 | https://www.atis.org/docstore/default.aspx |

5.4.2.6.85 TR 26.976

Performance characterisation of the Adaptive Multi Rate-Wideband (AMR-WB) codec

This document provides a performance characterization of the AMR-Wideband codec.

| SDO (2) | Document No. | Version | Status | Issued date | Location (1) |
|------------------|---------------------------|---------|----------|-------------|---|
| Release 5 | | | | | |
| ATIS | ATIS.3GPP.26.976V510-2006 | 5.1.0 | Approved | Apr 06 | https://www.atis.org/docstore/default.aspx |
| Release 6 | | | | | |
| ATIS | ATIS.3GPP.26.976V600-2006 | 6.0.0 | Approved | Apr 06 | https://www.atis.org/docstore/default.aspx |
| Release 7 | | | | | |
| ATIS | ATIS.3GPP.26.976V700-2008 | 7.0.0 | Approved | Oct 08 | https://www.atis.org/docstore/default.aspx |
| Release 8 | | | | | |
| ATIS | ATIS.3GPP.26.976V800-2010 | 8.0.0 | Approved | Jul 10 | https://www.atis.org/docstore/default.aspx |
| Release 9 | | | | | |
| ATIS | ATIS.3GPP.26.976V900-2014 | 9.0.0 | Approved | May 14 | https://www.atis.org/docstore/default.aspx |

5.4.2.6.86 TS 45.914

Circuit switched voice capacity evolution for GSM/EDGE Radio Access Network (GERAN)

The present document is an output of the 3GPP study item Multi-User Reusing-One-Slot (MUROS). It contains a section describing the objectives of the Circuit Switched Voice Capacity Evolution, and further sections presenting candidate techniques, which are evaluated according to their potential related to voice capacity improvement in GERAN.

For this the design of a new set of training sequences with improved cross correlation properties to the existing set of training sequences is foreseen and expected to be evaluated. The study will also include the investigation of different optimised pulse shapes for MUROS for both the uplink and the downlink.

| SDO (2) | Document No. | Version | Status | Issued date | Location (1) |
|------------------|---------------------------|---------|----------|-------------|---|
| Release 8 | | | | | |
| ATIS | ATIS.3GPP.45.914V820-2010 | 8.2.0 | Approved | Jul 10 | https://www.atis.org/docstore/default.aspx |
| Release 9 | | | | | |
| ATIS | ATIS.3GPP.45.914V950-2014 | 9.5.0 | Approved | May 14 | https://www.atis.org/docstore/default.aspx |

5.4.2.6.87 TS 46.076

Adaptive Multi-Rate (AMR) speech codec; Study phase report

This document provides a report of the study phase for the AMR speech codec which considers design and development issues such as AMR system functionality including working assumptions, requirements, the MS and network upgrades needed to support AMR, and risks and recommendations.

| SDO (2) | Document No. | Version | Status | Issued date | Location (1) |
|------------------|---------------------------|---------|----------|-------------|---|
| Release 6 | | | | | |
| ATIS | ATIS.3GPP.46.076V600-2008 | 6.0.0 | Approved | Oct 08 | https://www.atis.org/docstore/default.aspx |
| Release 7 | | | | | |
| ATIS | ATIS.3GPP.46.076V700-2008 | 7.0.0 | Approved | Oct 08 | https://www.atis.org/docstore/default.aspx |
| Release 8 | | | | | |
| ATIS | ATIS.3GPP.46.076V800-2010 | 8.0.0 | Approved | Jul 10 | https://www.atis.org/docstore/default.aspx |
| Release 9 | | | | | |
| ATIS | ATIS.3GPP.46.076V900-2014 | 9.0.0 | Approved | May 14 | https://www.atis.org/docstore/default.aspx |

5.4.2.6.88 TS 46.085

Subjective tests on the interoperability of the Half Rate / Full Rate / Enhanced Full Rate (HR/FR/EFR) speech codecs, single, tandem, and tandem free operation

This document contains the results obtained from an internationally co-ordinated subjective evaluation conducted by four laboratories to estimate the performance in mobile-to-mobile connections of the GSM half, full, and enhanced full rate speech codecs (including the expected advantages of the Tandem Free Operation), in case of inter-operability in the digital cellular telecommunications system. These (listening-only) tests did not include the effects of Voice Activity Detector, Comfort Noise Insertion and the Discontinuous Transmission.

| SDO (2) | Document No. | Version | Status | Issued date | Location (1) |
|------------------|---------------------------|---------|----------|-------------|---|
| Release 6 | | | | | |
| ATIS | ATIS.3GPP.46.085V600-2008 | 6.0.0 | Approved | Oct 08 | https://www.atis.org/docstore/default.aspx |
| Release 7 | | | | | |
| ATIS | ATIS.3GPP.46.085V700-2008 | 7.0.0 | Approved | Oct 08 | https://www.atis.org/docstore/default.aspx |
| Release 8 | | | | | |
| ATIS | ATIS.3GPP.46.085V800-2010 | 8.0.0 | Approved | Jul 10 | https://www.atis.org/docstore/default.aspx |
| Release 9 | | | | | |
| ATIS | ATIS.3GPP.46.085V900-2014 | 9.0.0 | Approved | May 14 | https://www.atis.org/docstore/default.aspx |

5.4.2.6.89 TS 26.150

Syndicated Feed Reception (SFR) within 3GPP environments; Protocols and codecs

The document defines a set of media codecs, formats and transport/application protocols to enable syndicated feed reception within the 3GPP system.

| SDO (2) | Document No. | Version | Status | Issued date | Location (1) |
|---------|--------------|---------|--------|-------------|--------------|
|---------|--------------|---------|--------|-------------|--------------|

Release 9

ATIS ATIS.3GPP.26.150V910-2014 9.1.0 Approved May 14 <https://www.atis.org/docstore/default.aspx>

5.4.2.7 Security**5.4.2.7.1 136-510****Authentication, encryption of signalling information/user data, and Privacy**

This part provides information on authentication for the digital control channel, analogue voice channel, analogue control channel, and digital traffic channel. It also provides a description of signalling message encryption and voice privacy and data privacy for TIA/EIA-136 systems.

| SDO (2) | Document No. | Version | Status | Issued date | Location (1) |
|---------|-----------------|---------|-----------|-------------|---|
| TIA | TIA/EIA-136-510 | B | Published | Mar 00 | http://www.tiaonline.org/standards/strategic-initiatives/code-division-multiple-access |

5.4.2.7.2 136-511**Messages subject to encryption**

This part describes the messages which are subject to the encryption techniques described in TIA/EIA_136_510.

| SDO (2) | Document No. | Version | Status | Issued date | Location (1) |
|---------|-----------------|---------|-----------|-------------|---|
| TIA | TIA/EIA-136-511 | A | Published | Mar 00 | http://www.tiaonline.org/standards/strategic-initiatives/code-division-multiple-access |

5.4.2.7.3 TS 02.09**Security aspects**

This document provides a description of the security aspects for the GSM/EDGE system. Standalone security aspects for GSM GPRS are not specified beyond Release 4. For the latest available information see section 5.4.2.13.38.

| SDO (2) | Document No. | Version | Status | Issued date | Location (1) |
|---------|--------------------------|---------|----------|-------------|---|
| ATIS | ATIS.3GPP.02.09V810-2007 | 8.1.0 | Approved | Oct 07 | https://www.atis.org/docstore/default.aspx |

5.4.2.7.4 TS 43.020**Security related network functions**

This document provides a description of the security functions employed for the GSM/EDGE system.

| SDO (2) | Document No. | Version | Status | Issued date | Location (1) |
|---------|--------------------------|---------|----------|-------------|---|
| ATIS | ATIS.3GPP.03.20V860-2008 | 8.6.0 | Approved | Oct 08 | https://www.atis.org/docstore/default.aspx |

Release 5

| | | | | | |
|------|---------------------------|-------|----------|--------|---|
| ATIS | ATIS.3GPP.43.020V540-2008 | 5.4.0 | Approved | Oct 08 | https://www.atis.org/docstore/default.aspx |
|------|---------------------------|-------|----------|--------|---|

Release 6

| | | | | | |
|------|---------------------------|-------|----------|--------|---|
| ATIS | ATIS.3GPP.43.020V651-2008 | 6.5.1 | Approved | Oct 08 | https://www.atis.org/docstore/default.aspx |
|------|---------------------------|-------|----------|--------|---|

Release 7

| | | | | | |
|------|---------------------------|-------|----------|--------|---|
| ATIS | ATIS.3GPP.43.020V731-2008 | 7.3.1 | Approved | Oct 08 | https://www.atis.org/docstore/default.aspx |
|------|---------------------------|-------|----------|--------|---|

Release 8

| | | | | | |
|------|---------------------------|-------|----------|--------|---|
| ATIS | ATIS.3GPP.43.020V800-2010 | 8.0.0 | Approved | Jul 10 | https://www.atis.org/docstore/default.aspx |
|------|---------------------------|-------|----------|--------|---|

Release 9

| | | | | | |
|------|---------------------------|-------|----------|--------|---|
| ATIS | ATIS.3GPP.43.020V910-2014 | 9.1.0 | Approved | May 14 | https://www.atis.org/docstore/default.aspx |
|------|---------------------------|-------|----------|--------|---|

5.4.2.7.5 TS 29.109**Generic Authentication Architecture (GAA); Zh and Zn Interfaces based on the Diameter protocol; Stage 3**

This document defines the Diameter based implementation for bootstrapping Zh interface (BSF-HSS) and GAA Application Zn interface (BSF-NAF) in Generic Authentication Architecture (GAA).

| SDO (2) | Document No. | Version | Status | Issued date | Location (1) |
|------------------|----------------------------|---------|----------|-------------|---|
| Release 6 | | | | | |
| ATIS | ATIS.3GPP.29.109V690-2008 | 6.9.0 | Approved | Oct 08 | https://www.atis.org/docstore/default.aspx |
| Release 7 | | | | | |
| ATIS | ATIS.3GPP.29.109V7130-2014 | 7.13.0 | Approved | May 14 | https://www.atis.org/docstore/default.aspx |
| Release 8 | | | | | |
| ATIS | ATIS.3GPP.29.109V880-2014 | 8.8.0 | Approved | May 14 | https://www.atis.org/docstore/default.aspx |
| Release 9 | | | | | |
| ATIS | ATIS.3GPP.29.109V960-2014 | 9.6.0 | Approved | May 14 | https://www.atis.org/docstore/default.aspx |

5.4.2.7.6 TS 41.033**Lawful interception requirements for GSM**

This document provides a description of the requirements of lawful interception functions employed for the GSM/EDGE system.

| SDO (2) | Document No. | Version | Status | Issued date | Location (1) |
|------------------|---------------------------|---------|----------|-------------|---|
| Release 6 | | | | | |
| ATIS | ATIS.3GPP.41.033V600-2006 | 6.0.0 | Approved | Apr 06 | https://www.atis.org/docstore/default.aspx |
| Release 7 | | | | | |
| ATIS | ATIS.3GPP.41.033V700-2008 | 7.0.0 | Approved | Oct 08 | https://www.atis.org/docstore/default.aspx |
| Release 8 | | | | | |
| ATIS | ATIS.3GPP.41.033V800-2010 | 8.0.0 | Approved | Jul 10 | https://www.atis.org/docstore/default.aspx |

Release 9

| | | | | | |
|------|---------------------------|-------|----------|--------|---|
| ATIS | ATIS.3GPP.41.033V900-2014 | 9.0.0 | Approved | May 14 | https://www.atis.org/docstore/default.aspx |
|------|---------------------------|-------|----------|--------|---|

5.4.2.7.7 TS 43.033**3G security; Lawful interception; Stage 2**

This document provides a stage 2 description of the lawful interception functions employed for the GSM/EDGE system.

| SDO (2) | Document No. | Version | Status | Issued date | Location (1) |
|------------------|---------------------------|---------|----------|-------------|---|
| Release 5 | | | | | |
| ATIS | ATIS.3GPP.43.033V500-2006 | 5.0.0 | Approved | Apr 06 | https://www.atis.org/docstore/default.aspx |
| Release 6 | | | | | |
| ATIS | ATIS.3GPP.43.033V600-2006 | 6.0.0 | Approved | Apr 06 | https://www.atis.org/docstore/default.aspx |
| Release 7 | | | | | |
| ATIS | ATIS.3GPP.43.033V700-2008 | 7.0.0 | Approved | Oct 08 | https://www.atis.org/docstore/default.aspx |
| Release 8 | | | | | |
| ATIS | ATIS.3GPP.43.033V800-2010 | 8.0.0 | Approved | Jul 10 | https://www.atis.org/docstore/default.aspx |
| Release 9 | | | | | |
| ATIS | ATIS.3GPP.43.033V900-2014 | 9.0.0 | Approved | May 14 | https://www.atis.org/docstore/default.aspx |

5.4.2.7.8 TS 33.203**3G security; Access security for IP-based services**

This document specifies the security features and mechanisms for secure access to the IM subsystem (IMS) for the 3G mobile telecommunication system. This specification only deals with how the SIP signalling is protected between the subscriber and the IMS, how the subscriber is authenticated and how the subscriber authenticates the IMS.

| SDO (2) | Document No. | Version | Status | Issued date | Location (1) |
|------------------|----------------------------|---------|----------|-------------|---|
| Release 6 | | | | | |
| ATIS | ATIS.3GPP.33.203V6110-2008 | 6.11.0 | Approved | Oct 08 | https://www.atis.org/docstore/default.aspx |
| Release 7 | | | | | |
| ATIS | ATIS.3GPP.33.203V790-2008 | 7.9.0 | Approved | Oct 08 | https://www.atis.org/docstore/default.aspx |
| Release 8 | | | | | |
| ATIS | ATIS.3GPP.33.203V880-2010 | 8.8.0 | Approved | Jul 10 | https://www.atis.org/docstore/default.aspx |
| Release 9 | | | | | |
| ATIS | ATIS.3GPP.33.203V950-2014 | 9.5.0 | Approved | May 14 | https://www.atis.org/docstore/default.aspx |

5.4.2.7.9 TS 33.204**3G security; Network Domain Security (NDS); Transaction Capabilities Application Part (TCAP) user security**

This document specifies the security mechanisms and procedures necessary to protect all TCAP user messages which are sent between different security domains. The complete set of enhancements and extensions to facilitate security protection for the TCAP protocol is termed TCAPsec and it covers transport security in the TCAP protocol itself and the security management procedures.

| SDO (2) | Document No. | Version | Status | Issued date | Location (1) |
|------------------|---------------------------|---------|----------|-------------|---|
| Release 7 | | | | | |
| ATIS | ATIS.3GPP.33.204V720-2008 | 7.2.0 | Approved | Oct 08 | https://www.atis.org/docstore/default.aspx |
| Release 8 | | | | | |
| ATIS | ATIS.3GPP.33.204V800-2010 | 8.0.0 | Approved | Jul 10 | https://www.atis.org/docstore/default.aspx |
| Release 9 | | | | | |
| ATIS | ATIS.3GPP.33.204V900-2014 | 9.0.0 | Approved | May 14 | https://www.atis.org/docstore/default.aspx |

5.4.2.7.10 TS 33.210

3G security; Network Domain Security (NDS); IP network layer security

This document defines the security architecture for network domain IP based control planes, which shall be applied to NDS/IP-networks (i.e. 3GPP and fixed broadband networks). The scope of network domain control plane security is to cover the control signalling on selected interfaces between network elements of NDS/IP networks.

| SDO (2) | Document No. | Version | Status | Issued date | Location (1) |
|------------------|---------------------------|---------|----------|-------------|---|
| Release 6 | | | | | |
| ATIS | ATIS.3GPP.33.210V660-2008 | 6.6.0 | Approved | Oct 08 | https://www.atis.org/docstore/default.aspx |
| Release 7 | | | | | |
| ATIS | ATIS.3GPP.33.210V730-2008 | 7.3.0 | Approved | Oct 08 | https://www.atis.org/docstore/default.aspx |
| Release 8 | | | | | |
| ATIS | ATIS.3GPP.33.210V830-2010 | 8.3.0 | Approved | Jul 10 | https://www.atis.org/docstore/default.aspx |
| Release 9 | | | | | |
| ATIS | ATIS.3GPP.33.210V910-2014 | 9.1.0 | Approved | May 14 | https://www.atis.org/docstore/default.aspx |

5.4.2.7.11 TS 33.220

Generic Authentication Architecture (GAA); Generic Bootstrapping Architecture (GBA)

This document describes the security features and a mechanism to bootstrap authentication and key agreement for application security from the 3GPP AKA mechanism.

| SDO (2) | Document No. | Version | Status | Issued date | Location (1) |
|------------------|----------------------------|---------|----------|-------------|---|
| Release 6 | | | | | |
| ATIS | ATIS.3GPP.33.220V6130-2007 | 6.13.0 | Approved | Oct 07 | https://www.atis.org/docstore/default.aspx |

Release 7

| SDO (2) | Document No. | Version | Status | Issued date | Location (1) |
|---------|----------------------------|---------|----------|-------------|---|
| ATIS | ATIS.3GPP.33.220V7110-2008 | 7.11.0 | Approved | Oct 08 | https://www.atis.org/docstore/default.aspx |

Release 8

| | | | | | |
|------|---------------------------|-------|----------|--------|---|
| ATIS | ATIS.3GPP.33.220V890-2014 | 8.9.0 | Approved | May 14 | https://www.atis.org/docstore/default.aspx |
|------|---------------------------|-------|----------|--------|---|

Release 9

| | | | | | |
|------|---------------------------|-------|----------|--------|---|
| ATIS | ATIS.3GPP.33.220V940-2014 | 9.4.0 | Approved | May 14 | https://www.atis.org/docstore/default.aspx |
|------|---------------------------|-------|----------|--------|---|

5.4.2.7.12 TS 33.221**Generic Authentication Architecture (GAA); Support for subscriber certificates**

This document describes subscriber certificate distribution by means of generic bootstrapping architecture.

| SDO (2) | Document No. | Version | Status | Issued date | Location (1) |
|------------------|---------------------------|---------|----------|-------------|---|
| Release 6 | | | | | |
| ATIS | ATIS.3GPP.33.221V640-2007 | 6.4.0 | Approved | Oct 07 | https://www.atis.org/docstore/default.aspx |
| Release 7 | | | | | |
| ATIS | ATIS.3GPP.33.221V710-2008 | 7.1.0 | Approved | Oct 08 | https://www.atis.org/docstore/default.aspx |
| Release 8 | | | | | |
| ATIS | ATIS.3GPP.33.221V800-2010 | 8.0.0 | Approved | Jul 10 | https://www.atis.org/docstore/default.aspx |
| Release 9 | | | | | |
| ATIS | ATIS.3GPP.33.221V910-2014 | 9.1.0 | Approved | May 14 | https://www.atis.org/docstore/default.aspx |

5.4.2.7.13 TS 33.222**Generic Authentication Architecture (GAA); Access to network application functions using Hypertext Transfer Protocol over Transport Layer Security (HTTPS)**

This document specifies secure access methods to Network Application Functions (NAF) using HTTP over TLS in the Generic Authentication Architecture (GAA), and provides Stage 2 security requirements, principles and procedures for the access.

| SDO (2) | Document No. | Version | Status | Issued date | Location (1) |
|------------------|---------------------------|---------|----------|-------------|---|
| Release 6 | | | | | |
| ATIS | ATIS.3GPP.33.222V660-2007 | 6.6.0 | Approved | Oct 07 | https://www.atis.org/docstore/default.aspx |
| Release 7 | | | | | |
| ATIS | ATIS.3GPP.33.222V730-2008 | 7.3.0 | Approved | Oct 08 | https://www.atis.org/docstore/default.aspx |
| Release 8 | | | | | |
| ATIS | ATIS.3GPP.33.222V800-2010 | 8.0.0 | Approved | Jul 10 | https://www.atis.org/docstore/default.aspx |
| Release 9 | | | | | |
| ATIS | ATIS.3GPP.33.222V910-2014 | 9.1.0 | Approved | May 14 | https://www.atis.org/docstore/default.aspx |

5.4.2.7.14 TS 33.259

Key establishment between a UICC hosting device and a remote device

This document describes the security features and mechanisms to provision a shared key between a UICC Hosting Device and a Remote Device connected via a local interface. The shared secret is then intended to be used to secure the interface between the Remote Device and the UICC hosting device.

| SDO (2) | Document No. | Version | Status | Issued date | Location (1) |
|------------------|---------------------------|---------|----------|-------------|---|
| Release 7 | | | | | |
| ATIS | ATIS.3GPP.33.259V720-2008 | 7.2.0 | Approved | Oct 08 | https://www.atis.org/docstore/default.aspx |
| Release 8 | | | | | |
| ATIS | ATIS.3GPP.33.259V820-2010 | 8.2.0 | Approved | Jul 10 | https://www.atis.org/docstore/default.aspx |
| Release 9 | | | | | |
| ATIS | ATIS.3GPP.33.259V900-2014 | 9.0.0 | Approved | May 14 | https://www.atis.org/docstore/default.aspx |

5.4.2.7.15 TS 33.401**3GPP System Architecture Evolution (SAE); Security architecture**

The present document specifies the security architecture, i.e., the security features and the security mechanisms for the Evolved Packet System and the Evolved Packet Core, and the security procedures performed within the evolved Packet System (EPS) including the Evolved Packet Core (EPC) and the Evolved UTRAN (E-UTRAN).

| SDO (2) | Document No. | Version | Status | Issued date | Location (1) |
|------------------|---------------------------|---------|----------|-------------|---|
| Release 8 | | | | | |
| ATIS | ATIS.3GPP.33.401V880-2012 | 8.8.0 | Approved | Jul 12 | https://www.atis.org/docstore/default.aspx |
| Release 9 | | | | | |
| ATIS | ATIS.3GPP.33.401V970-2014 | 9.7.0 | Approved | May 14 | https://www.atis.org/docstore/default.aspx |

5.4.2.7.16 TS 33.402**3GPP System Architecture Evolution (SAE); Security aspects of non-3GPP accesses**

The present document specifies the security architecture, i.e., the security feature groups and the security mechanisms performed during inter working between non-3GPP accesses and the Evolved Packet System (EPS).

| SDO (2) | Document No. | Version | Status | Issued date | Location (1) |
|------------------|---------------------------|---------|----------|-------------|---|
| Release 8 | | | | | |
| ATIS | ATIS.3GPP.33.402V880-2014 | 8.8.0 | Approved | May 14 | https://www.atis.org/docstore/default.aspx |
| Release 9 | | | | | |
| ATIS | ATIS.3GPP.33.402V970-2014 | 9.7.0 | Approved | May 14 | https://www.atis.org/docstore/default.aspx |

5.4.2.7.17 TR 33.905**Recommendations for Trusted Open Platforms**

This document presents This technical report investigates relevant trust standards and technologies for securing the storage, processing, and input and output of sensitive data on an open platform and also, isolation of applications that are managing (U)SIMs and (U)SIM readers, EAP-SIM and EAP_AKA protocols, and SAP applications from untrusted applications. Recommendations are given for trusted open platforms for delivery of new applications and services to open platforms.

| SDO (2) | Document No. | Version | Status | Issued date | Location (1) |
|------------------|---------------------------|---------|----------|-------------|---|
| Release 7 | | | | | |
| ATIS | ATIS.3GPP.33.905V700-2008 | 7.0.0 | Approved | Oct 08 | https://www.atis.org/docstore/default.aspx |
| Release 8 | | | | | |
| ATIS | ATIS.3GPP.33.905V800-2010 | 8.0.0 | Approved | Jul 10 | https://www.atis.org/docstore/default.aspx |
| Release 9 | | | | | |
| ATIS | ATIS.3GPP.33.905V900-2014 | 9.0.0 | Approved | May 14 | https://www.atis.org/docstore/default.aspx |

5.4.2.7.18 TR 33.919**3G Security; Generic Authentication Architecture (GAA); System description**

This document gives an overview of the different mechanisms that mobile applications can rely upon for authentication between server and client (i.e. the UE). Additionally it provides guidelines related to the use of GAA and to the choice of authentication mechanism in a given situation and for a given application

| SDO (2) | Document No. | Version | Status | Issued date | Location (1) |
|------------------|---------------------------|---------|----------|-------------|---|
| Release 6 | | | | | |
| ATIS | ATIS.3GPP.33.919V620-2007 | 6.2.0 | Approved | Oct 07 | https://www.atis.org/docstore/default.aspx |
| Release 7 | | | | | |
| ATIS | ATIS.3GPP.33.919V720-2008 | 7.2.0 | Approved | Oct 08 | https://www.atis.org/docstore/default.aspx |
| Release 8 | | | | | |
| ATIS | ATIS.3GPP.33.919V800-2010 | 8.0.0 | Approved | Jul 10 | https://www.atis.org/docstore/default.aspx |
| Release 9 | | | | | |
| ATIS | ATIS.3GPP.33.919V910-2014 | 9.1.0 | Approved | May 14 | https://www.atis.org/docstore/default.aspx |

5.4.2.7.19 TR 33.924**Identity management and 3G Security interworking; Identity management and Generic Authentication Architecture (GAA) interworking**

This document extends the current identity management as outlined in TS 33.220, TS 33.222, TS 29.109 and TR 33.980 with the latest developments on identity management outside of the 3GPP sphere. This will allow a better integration and usage of identity management for

services in 3GPP and seamless integration with existing services that are not standardized in 3GPP. This report outlines the interworking of GBA and OpenID.

| SDO (2) | Document No. | Version | Status | Issued date | Location (1) |
|------------------|---------------------------|---------|----------|-------------|---|
| Release 9 | | | | | |
| ATIS | ATIS.3GPP.33.924V940-2014 | 9.4.0 | Approved | May 14 | https://www.atis.org/docstore/default.aspx |

5.4.2.7.20 TR 33.980

Liberty Alliance and 3GPP security interworking; Interworking of Liberty Alliance Identity Federation Framework (ID-FF), Identity Web Services Framework (ID-WSF), and Generic Authentication Architecture (GAA)

This document provides guidelines on the interworking of the Generic Authentication Architecture (GAA) and the Liberty Alliance architecture. The document studies the details of possible interworking methods between the Security Assertion Markup Language v2.0, SAML v2.0 (or alternatively the Liberty Alliance Identity Federation Framework, ID-FF), the Identity Web Services Framework (ID-WSF), the Security Assertion Markup Language (SAML) and a component of GAA called the Generic Bootstrapping Architecture (GBA).

| SDO (2) | Document No. | Version | Status | Issued date | Location (1) |
|------------------|---------------------------|---------|----------|-------------|---|
| Release 7 | | | | | |
| ATIS | ATIS.3GPP.33.980V760-2008 | 7.6.0 | Approved | Oct 08 | https://www.atis.org/docstore/default.aspx |
| Release 8 | | | | | |
| ATIS | ATIS.3GPP.33.980V800-2010 | 8.0.0 | Approved | Jul 10 | https://www.atis.org/docstore/default.aspx |
| Release 9 | | | | | |
| ATIS | ATIS.3GPP.33.980V900-2014 | 9.0.0 | Approved | May 14 | https://www.atis.org/docstore/default.aspx |

5.4.2.8 Teleservice transport

5.4.2.8.1 136-610

R-DATA/SMDPP transport

This part describes the transport of TIA/EIA-136 teleservice messages using a combination of the R-DATA message air interface transport and the TIA/EIA-41 SMDPP transport.

| SDO (2) | Document No. | Version | Status | Issued date | Location (1) |
|---------|-----------------|---------|-----------|-------------|---|
| TIA | TIA/EIA-136-610 | B | Published | Apr 02 | http://www.tiaonline.org/standards/strategic-initiatives/code-division-multiple-access |

5.4.2.8.2 136-620

Teleservice segmentation and reassembly (TSAR)

This part describes teleservice segmentation and reassembly (TSAR). TSAR provides a mechanism to deliver TIA/EIA-136 teleservice messages that are not constrained by any message length limitations imposed by the air interface, or network layers supporting the teleservice. The service consists of the application of segmentation and reassembly, and retransmission of errored segments.

| SDO (2) | Document No. | Version | Status | Issued date | Location (1) |
|---------|-----------------|---------|-----------|-------------|---|
| TIA | TIA/EIA-136-620 | A | Published | May 01 | http://www.tiaonline.org/standards/strategic-initiatives/code-division-multiple-access |

5.4.2.8.3 136-630**Broadcast teleservice transport - Broadcast air-interface transport service (BATS)**

This part describes a broadcast teleservice transport. The BATS teleservice transport operates between a teleservice server and MS using both TIA/EIA-136 and TIA/EIA-41 based protocol stacks along with relay functions in the BS, mobile switching centre and interworking function. BATS is a general-purpose broadcast transport mechanism that can be used by existing teleservices as well as other future teleservices/applications requiring broadcast transport support.

| SDO (2) | Document No. | Version | Status | Issued date | Location (1) |
|---------|-----------------|---------|-----------|-------------|---|
| TIA | TIA/EIA-136-630 | 0 | Published | Nov 99 | http://www.tiaonline.org/standards/strategic-initiatives/code-division-multiple-access |

5.4.2.8.4 136-670**Teleservice over GSM SMS (TOGS)**

This part describes support of TIA/EIA-136 teleservices over a GSM Short Message Service delivery mechanism.

| SDO (2) | Document No. | Version | Status | Issued date | Location (1) |
|---------|-----------------|---------|-----------|-------------|---|
| TIA | TIA/EIA-136-670 | 0 | Published | May 01 | http://www.tiaonline.org/standards/strategic-initiatives/code-division-multiple-access |

5.4.2.9 Teleservices**5.4.2.9.1 136-700****Introduction to teleservices**

This part provides an introduction to TIA/EIA-136 based teleservices including the teleservice protocol stack, transport, and higher layer protocol identifiers.

| SDO (2) | Document No. | Version | Status | Issued date | Location (1) |
|---------|-----------------|---------|-----------|-------------|---|
| TIA | TIA/EIA-136-700 | D | Published | Apr 02 | http://www.tiaonline.org/standards/strategic-initiatives/code-division-multiple-access |

5.4.2.9.2 136-710

Short message service - Cellular messaging teleservice

This part describes the procedures, message set, and information elements necessary to provide short message service in TIA/EIA-136 based systems.

| SDO (2) | Document No. | Version | Status | Issued date | Location (1) |
|---------|-----------------|---------|-----------|-------------|---|
| TIA | TIA/EIA-136-710 | C | Published | Apr 02 | http://www.tiaonline.org/standards/strategic-initiatives/code-division-multiple-access |

5.4.2.9.3 136-711**GSM Hosted SMS Teleservice (GHOST)**

This part describes the procedures, message set, and information elements necessary to deliver GSM SMS Protocol Data Units (PDUs) to and from a mobile station operating in a TIA/EIA-136 network.

| SDO (2) | Document No. | Version | Status | Issued date | Location (1) |
|---------|-----------------|---------|-----------|-------------|---|
| TIA | TIA/EIA-136-711 | 0 | Published | Apr 02 | http://www.tiaonline.org/standards/strategic-initiatives/code-division-multiple-access |

5.4.2.9.4 136-720**Over-the-air activation teleservice (OATS)**

This part describes a teleservice that is designed to support over-the-air activation (OTA). The over-the-air activation teleservice (OATS) supports data exchange between a MS and a customer service centre (CSC)/over-the-air activation function (OTAF) which enables downloading information to the MS number assignment module.

| SDO (2) | Document No. | Version | Status | Issued date | Location (1) |
|---------|-----------------|---------|-----------|-------------|---|
| TIA | TIA/EIA-136-720 | C | Published | Apr 02 | http://www.tiaonline.org/standards/strategic-initiatives/code-division-multiple-access |

5.4.2.9.5 136-730**Over-the-air programming teleservice (OPTS)**

This part describes a teleservice that is designed to support downloading of non-NAM programming information (e.g. intelligent roaming database or IRDB) to an MS. The over-the-air programming teleservice (OPTS) provides a sequence of messages exchanged between the over-the-air service provisioning function (OTASP) and the MS for the delivery of information.

| SDO (2) | Document No. | Version | Status | Issued date | Location (1) |
|---------|-----------------|---------|-----------|-------------|---|
| TIA | TIA/EIA-136-730 | A | Published | Apr 02 | http://www.tiaonline.org/standards/strategic-initiatives/code-division-multiple-access |

5.4.2.9.6 136-740**System Assisted Mobile Positioning through Satellite (SAMPS)**

This part describes a teleservice that facilitates the exchange of information between a network entity and a mobile station to provide geographic positioning.

| SDO (2) | Document No. | Version | Status | Issued date | Location (1) |
|---------|-----------------|---------|-----------|-------------|---|
| TIA | TIA/EIA-136-740 | 0 | Published | Apr 01 | http://www.tiaonline.org/standards/strategic-initiatives/code-division-multiple-access |

5.4.2.9.7 136-741

System Assisted Mobile Positioning through Satellite (SAMPS) in Analog Systems

This part describes the procedures, signaling, and transport on analog channels (ACC, AVC) that facilitates the exchange of information between a network entity and a mobile station to provide geographic positioning.

| SDO (2) | Document No. | Version | Status | Issued date | Location (1) |
|---------|-----------------|---------|-----------|-------------|---|
| TIA | TIA/EIA-136-741 | 0 | Published | Apr 02 | http://www.tiaonline.org/standards/strategic-initiatives/code-division-multiple-access |

5.4.2.9.8 136-750

General UDP transport service (GUTS)

This part describes the general UDP transport service (GUTS), which is a teleservice to support the transport of user datagram protocol (UDP) PDUs between a teleservice server and an MS.

| SDO (2) | Document No. | Version | Status | Issued date | Location (1) |
|---------|-----------------|---------|-----------|-------------|---|
| TIA | TIA/EIA-136-750 | 0 | Published | Nov 99 | http://www.tiaonline.org/standards/strategic-initiatives/code-division-multiple-access |

5.4.2.9.9 136-760

Charge indication teleservice (CIT)

This part describes a teleservice that is designed to provide the MS user with charge information for a call.

| SDO (2) | Document No. | Version | Status | Issued date | Location (1) |
|---------|-----------------|---------|-----------|-------------|---|
| TIA | TIA/EIA-136-760 | A | Published | Apr 02 | http://www.tiaonline.org/standards/strategic-initiatives/code-division-multiple-access |

5.4.2.9.10 TS 22.011

Service Accessibility

This document describes the service access procedures as presented to the user.

| SDO (2) | Document No. | Version | Status | Issued date | Location (1) |
|-------------------|-------------------------|---------|----------|-------------|---|
| Release 99 | | | | | |
| ATIS | T1.3GPP.22.011V380-2003 | 3.8.0 | Approved | Dec 03 | https://www.atis.org/docstore/default.aspx |

Release 5

| | | | | | |
|------|-------------------------|-------|----------|--------|---|
| ATIS | T1.3GPP.22.011V510-2003 | 5.1.0 | Approved | Mar 03 | https://www.atis.org/docstore/default.aspx |
|------|-------------------------|-------|----------|--------|---|

Release 6

| | | | | | |
|------|---------------------------|-------|----------|--------|---|
| ATIS | ATIS.3GPP.22.011V640-2006 | 6.4.0 | Approved | Apr 06 | https://www.atis.org/docstore/default.aspx |
|------|---------------------------|-------|----------|--------|---|

Release 7

| | | | | | |
|------|---------------------------|-------|----------|--------|---|
| ATIS | ATIS.3GPP.22.011V790-2008 | 7.9.0 | Approved | Oct 08 | https://www.atis.org/docstore/default.aspx |
|------|---------------------------|-------|----------|--------|---|

Release 8

| | | | | | |
|------|----------------------------|--------|----------|--------|---|
| ATIS | ATIS.3GPP.22.011V8110-2014 | 8.11.0 | Approved | May 14 | https://www.atis.org/docstore/default.aspx |
|------|----------------------------|--------|----------|--------|---|

Release 9

| | | | | | |
|------|---------------------------|-------|----------|--------|---|
| ATIS | ATIS.3GPP.22.011V940-2014 | 9.4.0 | Approved | May 14 | https://www.atis.org/docstore/default.aspx |
|------|---------------------------|-------|----------|--------|---|

5.4.2.9.11 TS 23.032**Universal Geographical Area Description (GAD)**

This document describes the data used by the location services positioning procedures.

| SDO (2) | Document No. | Version | Status | Issued date | Location (1) |
|-------------------|---|---------|-----------|-------------|---|
| Release 99 | | | | | |
| ATIS | ATIS.3GPP.23.032V321-2005 | 3.2.1 | Approved | Apr 05 | https://www.atis.org/docstore/default.aspx |
| TIA | Incl. in TIA/EIA-136-740 as ETSI TS 123 032 v3.1.0) | 0 | Published | Apr 01 | http://www.tiaonline.org/standards/strategic-initiatives/code-division-multiple-access |
| Release 5 | | | | | |
| ATIS | T1.3GPP.23.032V500-2003 | 5.0.0 | Approved | Dec 03 | https://www.atis.org/docstore/default.aspx |
| Release 6 | | | | | |
| ATIS | ATIS.3GPP.23.032V600-2006 | 6.0.0 | Approved | Apr 06 | https://www.atis.org/docstore/default.aspx |
| Release 7 | | | | | |
| ATIS | ATIS.3GPP.23.032V700-2008 | 7.0.0 | Approved | Oct 08 | https://www.atis.org/docstore/default.aspx |
| Release 8 | | | | | |
| ATIS | ATIS.3GPP.23.032V800-2010 | 8.0.0 | Approved | Jul 10 | https://www.atis.org/docstore/default.aspx |
| Release 9 | | | | | |
| ATIS | ATIS.3GPP.23.032V900-2014 | 9.0.0 | Approved | May 14 | https://www.atis.org/docstore/default.aspx |

5.4.2.9.12 TS 23.039**Interface protocols for connection of SMS service centers (SMSCs) to Short message entities (SMEs)**

This document provides the description of the protocols between the Short Message Service Centers and the SMS entities utilizing SMS.

| SDO (2) | Document No. | Version | Status | Issued date | Location (1) |
|-------------------|-------------------------|---------|----------|-------------|---|
| Release 99 | | | | | |
| ATIS | T1.3GPP.23.039V320-2003 | 3.2.0 | Approved | Dec 03 | https://www.atis.org/docstore/default.aspx |
| Release 5 | | | | | |
| ATIS | T1.3GPP.23.039V500-2003 | 5.0.0 | Approved | Mar 03 | https://www.atis.org/docstore/default.aspx |

5.4.2.9.13 TS 23.040**Technical realization of the Short Message Service (SMS)**

This document provides the overall description for the Short Message Service.

| SDO (2) | Document No. | Version | Status | Issued date | Location (1) |
|-------------------|---|---------|-----------|-------------|---|
| Release 99 | | | | | |
| ATIS | ATIS.3GPP.23.040V3110-2008 | 3.11.0 | Approved | Oct 08 | https://www.atis.org/docstore/default.aspx |
| TIA | Incl. in TIA/EIA-136-370 as | 0 | Published | Apr 01 | http://www.tiaonline.org/standards/strategic-initiatives/code-division-multiple-access |
| Release 5 | | | | | |
| ATIS | ATIS.3GPP.23.040V590-2008 | 5.9.0 | Approved | Oct 08 | https://www.atis.org/docstore/default.aspx |
| TIA | Incl. in TIA/EIA-136-370 as ETSI TS 123 040 v5.8.1 | A-1(E) | Published | Jun 05 | http://www.tiaonline.org/standards/strategic-initiatives/code-division-multiple-access |
| Release 6 | | | | | |
| ATIS | ATIS.3GPP.23.040V690-2008 | 6.9.0 | Approved | Oct 08 | https://www.atis.org/docstore/default.aspx |
| TIA | Incl. in TIA/EIA-136-370 as ETSI TS 123 040 v6.8.1 | B-1(E) | Approved | Jan 08 | http://www.tiaonline.org/standards/strategic-initiatives/code-division-multiple-access |
| Release 7 | | | | | |
| ATIS | ATIS.3GPP.23.040V720-2009 | 7.2.0 | Approved | Jul 09 | https://www.atis.org/docstore/default.aspx |
| TIA | Incl. in TIA/EIA-136-370 as ETSI TS 123 040 v7.2.0 | C-1(E) | Approved | Dec 09 | http://www.tiaonline.org/standards/strategic-initiatives/code-division-multiple-access |
| Release 8 | | | | | |
| ATIS | ATIS.3GPP.23.040V860-2010 | 8.6.0 | Approved | Jul 10 | https://www.atis.org/docstore/default.aspx |
| TIA | Incl. in TIA/EIA-136-370 as ETSI TS 123 040 v8.6.0 | D-1(E) | Published | Aug 12 | http://www.tiaonline.org/standards/strategic-initiatives/code-division-multiple-access |
| Release 9 | | | | | |
| ATIS | ATIS.3GPP.23.040V930-2014 | 9.3.0 | Approved | May 14 | https://www.atis.org/docstore/default.aspx |
| TIA | Incl. in TIA/EIA-136-370 as ETSI TS 123 040 v9.3.0 | E | Approved | Aug 14 | http://www.tiaonline.org/standards/strategic-initiatives/code-division-multiple-access |

5.4.2.9.14 TS 23.041**Technical realization of the Cell Broadcast Service (CBS)**

This document provides the overall description for the cell broadcast Service.

| SDO (2) | Document No. | Version | Status | Issued date | Location (1) |
|-------------------|---------------------------|---------|----------|-------------|---|
| Release 99 | | | | | |
| ATIS | T1.3GPP.23.041V350-2003 | 3.5.0 | Approved | Mar 03 | https://www.atis.org/docstore/default.aspx |
| Release 5 | | | | | |
| ATIS | ATIS.3GPP.23.041V520-2005 | 5.2.0 | Approved | Apr 05 | https://www.atis.org/docstore/default.aspx |
| Release 6 | | | | | |

| | | | | | |
|------------------|----------------------------|--------|----------|--------|---|
| ATIS | ATIS.3GPP.23.041V620-2006 | 6.2.0 | Approved | Apr 06 | https://www.atis.org/docstore/default.aspx |
| Release 7 | | | | | |
| ATIS | ATIS.3GPP.23.041V700-2007 | 7.0.0 | Approved | Oct 07 | https://www.atis.org/docstore/default.aspx |
| Release 8 | | | | | |
| ATIS | ATIS.3GPP.23.041V8110-2014 | 8.11.0 | Approved | May 14 | https://www.atis.org/docstore/default.aspx |
| Release 9 | | | | | |
| ATIS | ATIS.3GPP.23.041V9110-2014 | 9.11.0 | Approved | May 14 | https://www.atis.org/docstore/default.aspx |

5.4.2.9.15 TS 23.042

Compression algorithm for text messaging services

This document provides the description of the compression algorithm used for the text message services.

| SDO (2) | Document No. | Version | Status | Issued date | Location (1) |
|-------------------|---------------------------|---------|----------|-------------|---|
| Release 99 | | | | | |
| ATIS | T1.3GPP.23.042V310-2002 | 3.1.0 | Approved | May 02 | https://www.atis.org/docstore/default.aspx |
| Release 5 | | | | | |
| ATIS | T1.3GPP.23.042V500-2003 | 5.0.0 | Approved | Mar 03 | https://www.atis.org/docstore/default.aspx |
| Release 6 | | | | | |
| ATIS | ATIS.3GPP.23.042V600-2006 | 6.0.0 | Approved | Apr 06 | https://www.atis.org/docstore/default.aspx |
| Release 7 | | | | | |
| ATIS | ATIS.3GPP.23.042V700-2007 | 7.0.0 | Approved | Oct 07 | https://www.atis.org/docstore/default.aspx |
| Release 8 | | | | | |
| ATIS | ATIS.3GPP.23.042V800-2009 | 8.0.0 | Approved | Jul 09 | https://www.atis.org/docstore/default.aspx |
| Release 9 | | | | | |
| ATIS | ATIS.3GPP.23.042V900-2014 | 9.0.0 | Approved | May 14 | https://www.atis.org/docstore/default.aspx |

5.4.2.9.16 TS 24.011

Point-to-Point (PP) Short Message Service (SMS) support on mobile radio interface

This document provides the specification for support for the Short Message Service on the 200 kHz mobile radio interface.

| SDO (2) | Document No. | Version | Status | Issued date | Location (1) |
|-------------------|---|---------|-----------|-------------|---|
| Release 99 | | | | | |
| ATIS | T1.3GPP.24.011V360-2001 | 3.6.0 | Approved | Mar 01 | https://www.atis.org/docstore/default.aspx |
| TIA | Incl. in TIA/EIA-136-370 as ETSI TS 124 011 v3.2.0 | 0 | Published | Apr 01 | http://www.tiaonline.org/standards/strategic-initiatives/code-division-multiple-access |
| Release 5 | | | | | |
| ATIS | ATIS.3GPP.24.011V520-2005 | 5.2.0 | Approved | Apr 05 | https://www.atis.org/docstore/default.aspx |
| TIA | Incl. in TIA/EIA-136-370 as ETSI TS 124 011 v5.2.0 | A-1(E) | Published | Jun 05 | http://www.tiaonline.org/standards/strategic-initiatives/code-division-multiple-access |
| Release 6 | | | | | |

1204

ITU-R M.1457-12

| | | | | | |
|------|---|-------|----------|--------|---|
| ATIS | ATIS.3GPP.24.011V610-2006 | 6.1.0 | Approved | Apr 06 | https://www.atis.org/docstore/default.aspx |
| TIA | Incl. in TIA/EIA-136-370 as ETSI TS 124 011 v6.1.0 | B | Approved | Apr 06 | http://www.tiaonline.org/standards/strategic-initiatives/code-division-multiple-access |

Release 7

| | | | | | |
|------|---|-------|----------|--------|---|
| ATIS | ATIS.3GPP.24.011V710-2010 | 7.1.0 | Approved | Jul 10 | https://www.atis.org/docstore/default.aspx |
| TIA | Incl. in TIA/EIA-136-370 as ETSI TS 124 011 v7.0.0 | C | Approved | Oct 08 | http://www.tiaonline.org/standards/strategic-initiatives/code-division-multiple-access |

Release 8

| | | | | | |
|------|---|--------|-----------|--------|---|
| ATIS | ATIS.3GPP.24.011V820-2010 | 8.2.0 | Approved | Jul 10 | https://www.atis.org/docstore/default.aspx |
| TIA | Incl. in TIA/EIA-136-370 as ETSI TS 124 011 v8.2.0 | D-1(E) | Published | Aug 12 | http://www.tiaonline.org/standards/strategic-initiatives/code-division-multiple-access |

Release 9

| | | | | | |
|------|---|-------|----------|--------|---|
| ATIS | ATIS.3GPP.24.011V901-2014 | 9.0.1 | Approved | May 14 | https://www.atis.org/docstore/default.aspx |
| TIA | Incl. in TIA/EIA-136-370 as ETSI TS 124 011 v9.0.1 | E | Approved | Aug 14 | http://www.tiaonline.org/standards/strategic-initiatives/code-division-multiple-access |

5.4.2.9.17 TS 26.140

Multimedia Messaging Service (MMS); Media formats and codecs

This document provides the specification of the media formats and codecs for the Multimedia Messaging Service.

| SDO (2) | Document No. | Version | Status | Issued date | Location (1) |
|------------------|---------------------------|---------|----------|-------------|---|
| Release 5 | | | | | |
| ATIS | ATIS.3GPP.26.140V520-2005 | 5.2.0 | Approved | Apr 05 | https://www.atis.org/docstore/default.aspx |
| Release 6 | | | | | |
| ATIS | ATIS.3GPP.26.140V630-2007 | 6.3.0 | Approved | Oct 07 | https://www.atis.org/docstore/default.aspx |
| Release 7 | | | | | |
| ATIS | ATIS.3GPP.26.140V710-2008 | 7.1.0 | Approved | Oct 08 | https://www.atis.org/docstore/default.aspx |
| Release 8 | | | | | |
| ATIS | ATIS.3GPP.26.140V800-2010 | 8.0.0 | Approved | Jul 10 | https://www.atis.org/docstore/default.aspx |
| Release 9 | | | | | |
| ATIS | ATIS.3GPP.26.140V900-2014 | 9.0.0 | Approved | May 14 | https://www.atis.org/docstore/default.aspx |

5.4.2.9.18 TS 32.005

Call and Event data for circuit switched domain

This document provides the Release 99 description for the charging data for the circuit switched component.

| SDO (2) | Document No. | Version | Status | Issued date | Location (1) |
|-------------------|---------------------------|---------|----------|-------------|---|
| Release 99 | | | | | |
| ATIS | ATIS.3GPP.32.205V590-2006 | 5.9.0 | Approved | Apr 06 | https://www.atis.org/docstore/default.aspx |

5.4.2.9.19 TS 32.205**Charging data description for circuit switched domain**

This document provides the Release 5 description for the charging data for the circuit switched component.

| SDO (2) | Document No. | Version | Status | Issued date | Location (1) |
|------------------|---------------------------|---------|----------|-------------|---|
| Release 5 | | | | | |
| ATIS | ATIS.3GPP.32.205V590-2006 | 5.9.0 | Approved | Apr 06 | https://www.atis.org/docstore/default.aspx |

5.4.2.9.20 TS 32.015**Call and Event data for packet switched domain**

This document provides the Release 99 description for the charging data for the packet switched component.

| SDO (2) | Document No. | Version | Status | Issued date | Location (1) |
|-------------------|---|---------|-----------|-------------|---|
| Release 99 | | | | | |
| ATIS | ATIS.3GPP.32.015V3120-2005 | 3.12.0 | Approved | Apr 05 | https://www.atis.org/docstore/default.aspx |
| TIA | Incl. in TIA/EIA-136-370 as ETSI TS 132 015 v3.1.1 | 0 | Published | Apr 01 | http://www.tiaonline.org/standards/strategic-initiatives/code-division-multiple-access |

5.4.2.9.21 TS 32.215**Charging data description for packet switched domain**

This document provides the Release 5 description for the charging data for the packet switched component.

| SDO (2) | Document No. | Version | Status | Issued date | Location (1) |
|------------------|---|---------|-----------|-------------|---|
| Release 5 | | | | | |
| ATIS | ATIS.3GPP.32.215V590-2006 | 5.9.0 | Approved | Apr 06 | https://www.atis.org/docstore/default.aspx |
| TIA | Incl. in TIA/EIA-136-370 as ETSI TS 132 215 v5.7.0 | A-1(E) | Published | Jun 05 | http://www.tiaonline.org/standards/strategic-initiatives/code-division-multiple-access |

5.4.2.9.22 TS 44.012**Short Message Service Cell Broadcast (SMSCB) support on mobile radio interface**

This document provides the specification for support for the cell broadcast Short Message Service on the 200 kHz mobile radio interface.

| SDO (2) | Document No. | Version | Status | Issued date | Location (1) |
|-------------------|---------------------------|---------|----------|-------------|---|
| Release 99 | | | | | |
| ATIS | T1.3GPP.04.12V800-2003 | 8.0.0 | Approved | Dec 03 | https://www.atis.org/docstore/default.aspx |
| Release 5 | | | | | |
| ATIS | ATIS.3GPP.44.012V501-2005 | 5.0.1 | Approved | Apr 05 | https://www.atis.org/docstore/default.aspx |

1206

ITU-R M.1457-12

Release 6

| | | | | | |
|------|---------------------------|-------|----------|--------|---|
| ATIS | ATIS.3GPP.44.012V600-2006 | 6.0.0 | Approved | Apr 06 | https://www.atis.org/docstore/default.aspx |
|------|---------------------------|-------|----------|--------|---|

Release 7

| | | | | | |
|------|---------------------------|-------|----------|--------|---|
| ATIS | ATIS.3GPP.44.012V700-2008 | 7.0.0 | Approved | Oct 08 | https://www.atis.org/docstore/default.aspx |
|------|---------------------------|-------|----------|--------|---|

Release 8

| | | | | | |
|------|---------------------------|-------|----------|--------|---|
| ATIS | ATIS.3GPP.44.012V800-2010 | 8.0.0 | Approved | Jul 10 | https://www.atis.org/docstore/default.aspx |
|------|---------------------------|-------|----------|--------|---|

Release 9

| | | | | | |
|------|---------------------------|-------|----------|--------|---|
| ATIS | ATIS.3GPP.44.012V900-2014 | 9.0.0 | Approved | May 14 | https://www.atis.org/docstore/default.aspx |
|------|---------------------------|-------|----------|--------|---|

5.4.2.9.23 TS 22.246

Multimedia Broadcast/Multicast Service (MBMS) user services; Stage 1

This document provides stage 1 description for the Multimedia Broadcast and Multicast service functions.

| SDO (2) | Document No. | Version | Status | Issued date | Location (1) |
|------------------|---|---------|-----------|-------------|---|
| Release 6 | | | | | |
| ATIS | ATIS.3GPP.22.246V630-2007 | 6.3.0 | Approved | Oct 07 | https://www.atis.org/docstore/default.aspx |
| TIA | Incl. in TIA/EIA-136-370 as ETSI TS 122 246 v6.3.0 | B-1(E) | Approved | Jan 08 | http://www.tiaonline.org/standards/strategic-initiatives/code-division-multiple-access |
| Release 7 | | | | | |
| ATIS | ATIS.3GPP.22.246V740-2009 | 7.4.0 | Approved | Jul 09 | https://www.atis.org/docstore/default.aspx |
| TIA | Incl. in TIA/EIA-136-370 as ETSI TS 122 246 v7.4.0 | C-1(E) | Approved | Dec 09 | http://www.tiaonline.org/standards/strategic-initiatives/code-division-multiple-access |
| Release 8 | | | | | |
| ATIS | ATIS.3GPP.22.246V850-2010 | 8.5.0 | Approved | Jul 10 | https://www.atis.org/docstore/default.aspx |
| TIA | Incl. in TIA/EIA-136-370 as ETSI TS 122 246 v8.5.0 | D-1(E) | Published | Aug 12 | http://www.tiaonline.org/standards/strategic-initiatives/code-division-multiple-access |
| Release 9 | | | | | |
| ATIS | ATIS.3GPP.22.246V900-2014 | 9.0.0 | Approved | May 14 | https://www.atis.org/docstore/default.aspx |
| TIA | Incl. in TIA/EIA-136-370 as ETSI TS 122 246 v9.0.0 | E | Approved | Aug 14 | http://www.tiaonline.org/standards/strategic-initiatives/code-division-multiple-access |

5.4.2.9.24 TR 22.903

Study on Videotelephony teleservice

This document provides an analysis of the introduction of additional functionalities for the videotelephony service in addition to what is provided in the 3GPP specifications up to Release 6. The functionalities will include but are not limited to codec negotiation, charging principles, supplementary services support.

| SDO (2) | Document No. | Version | Status | Issued date | Location (1) |
|---------|--------------|---------|--------|-------------|--------------|
|---------|--------------|---------|--------|-------------|--------------|

Release 7

| | | | | | |
|------------------|---------------------------|-------|----------|--------|---|
| ATIS | ATIS.3GPP.22.903V700-2008 | 7.0.0 | Approved | Oct 08 | https://www.atis.org/docstore/default.aspx |
| Release 8 | | | | | |
| ATIS | ATIS.3GPP.22.903V800-2010 | 8.0.0 | Approved | Jul 10 | https://www.atis.org/docstore/default.aspx |
| Release 9 | | | | | |
| ATIS | ATIS.3GPP.22.903V900-2014 | 9.0.0 | Approved | May 14 | https://www.atis.org/docstore/default.aspx |

5.4.2.9.25 TS 24.247

Messaging using the IP Multimedia (IM) Core network (CN) Subsystem; Stage 3

This document provides detailed specifications for messaging using the IMS Core network.

| SDO (2) | Document No. | Version | Status | Issued date | Location (1) |
|------------------|----------------------------|---------|----------|-------------|---|
| Release 6 | | | | | |
| ATIS | ATIS.3GPP.24.247V6100-2009 | 6.10.0 | Approved | Jul 09 | https://www.atis.org/docstore/default.aspx |
| Release 7 | | | | | |
| ATIS | ATIS.3GPP.24.247V750-2014 | 7.5.0 | Approved | May 14 | https://www.atis.org/docstore/default.aspx |
| Release 8 | | | | | |
| ATIS | ATIS.3GPP.24.247V8110-2014 | 8.11.0 | Approved | May 14 | https://www.atis.org/docstore/default.aspx |
| Release 9 | | | | | |
| ATIS | ATIS.3GPP.24.247V980-2014 | 9.8.0 | Approved | May 14 | https://www.atis.org/docstore/default.aspx |

5.4.2.9.26 TS 24.341

Support of SMS over IP networks; Stage 3

This document provides the protocol details for SMS over IP within the IP Multimedia (IM) Core Network (CN) subsystem based on the Session Initiation Protocol (SIP) and SIP Events.

| SDO (2) | Document No. | Version | Status | Issued date | Location (1) |
|------------------|---------------------------|---------|----------|-------------|---|
| Release 7 | | | | | |
| ATIS | ATIS.3GPP.24.341V750-2012 | 7.5.0 | Approved | Jul 12 | https://www.atis.org/docstore/default.aspx |
| Release 8 | | | | | |
| ATIS | ATIS.3GPP.24.341V850-2012 | 8.5.0 | Approved | Jul 12 | https://www.atis.org/docstore/default.aspx |
| Release 9 | | | | | |
| ATIS | ATIS.3GPP.24.341V920-2014 | 9.2.0 | Approved | May 14 | https://www.atis.org/docstore/default.aspx |

5.4.2.9.27 TR 25.992

Multimedia Broadcast/Multicast Service (MBMS); UTRAN/GERAN requirements

This document provides the requirements for introducing the Multimedia Broadcast and Multicast service in UTRAN and GERAN.

| SDO (2) | Document No. | Version | Status | Issued date | Location (1) |
|---------|--------------|---------|--------|-------------|--------------|
|---------|--------------|---------|--------|-------------|--------------|

1208

ITU-R M.1457-12

Release 6

| | | | | | |
|------|---------------------------|-------|----------|--------|---|
| ATIS | ATIS.3GPP.25.992V600-2006 | 6.0.0 | Approved | Apr 06 | https://www.atis.org/docstore/default.aspx |
|------|---------------------------|-------|----------|--------|---|

Release 7

| | | | | | |
|------|---------------------------|-------|----------|--------|---|
| ATIS | ATIS.3GPP.25.992V700-2008 | 7.0.0 | Approved | Oct 08 | https://www.atis.org/docstore/default.aspx |
|------|---------------------------|-------|----------|--------|---|

Release 8

| | | | | | |
|------|---------------------------|-------|----------|--------|---|
| ATIS | ATIS.3GPP.25.992V800-2010 | 8.0.0 | Approved | Jul 10 | https://www.atis.org/docstore/default.aspx |
|------|---------------------------|-------|----------|--------|---|

Release 9

| | | | | | |
|------|---------------------------|-------|----------|--------|---|
| ATIS | ATIS.3GPP.25.992V900-2014 | 9.0.0 | Approved | May 14 | https://www.atis.org/docstore/default.aspx |
|------|---------------------------|-------|----------|--------|---|

5.4.2.9.28 TS 43.246

Multimedia Broadcast/Multicast Service (MBMS) in GERAN; Stage 2

This document provides stage 2 description for the Multimedia Broadcast and Multicast service functions in GERAN.

| SDO (2) | Document No. | Version | Status | Issued date | Location (1) |
|------------------|----------------------------|---------|----------|-------------|---|
| Release 6 | | | | | |
| ATIS | ATIS.3GPP.43.246V6100-2007 | 6.10.0 | Approved | Oct 07 | https://www.atis.org/docstore/default.aspx |
| Release 7 | | | | | |
| ATIS | ATIS.3GPP.43.246V730-2008 | 7.3.0 | Approved | Oct 08 | https://www.atis.org/docstore/default.aspx |
| Release 8 | | | | | |
| ATIS | ATIS.3GPP.43.246V800-2010 | 8.0.0 | Approved | Jul 10 | https://www.atis.org/docstore/default.aspx |
| Release 9 | | | | | |
| ATIS | ATIS.3GPP.43.246V900-2014 | 9.0.0 | Approved | May 14 | https://www.atis.org/docstore/default.aspx |

5.4.2.9.29 TS 26.141

IP Multimedia System (IMS) Messaging and Presence; Media formats and codecs

This document defines the minimal baseline and optional media codecs and message container format to be used by IMS Messaging and associated Presence service.

| SDO (2) | Document No. | Version | Status | Issued date | Location (1) |
|------------------|---------------------------|---------|----------|-------------|---|
| Release 6 | | | | | |
| ATIS | ATIS.3GPP.26.141V630-2007 | 6.3.0 | Approved | Oct 07 | https://www.atis.org/docstore/default.aspx |
| Release 7 | | | | | |
| ATIS | ATIS.3GPP.26.141V710-2008 | 7.1.0 | Approved | Oct 08 | https://www.atis.org/docstore/default.aspx |
| Release 8 | | | | | |
| ATIS | ATIS.3GPP.26.141V800-2010 | 8.0.0 | Approved | Jul 10 | https://www.atis.org/docstore/default.aspx |
| Release 9 | | | | | |
| ATIS | ATIS.3GPP.26.141V900-2014 | 9.0.0 | Approved | May 14 | https://www.atis.org/docstore/default.aspx |

5.4.2.9.30 TS 48.049

Base Station Controller û Cell Broadcast Centre (BSC-CBC) interface specification; Cell Broadcast Service Protocol (CBSP)

This document specifies the Cell Broadcast Service Protocol (CBSP) between the Cell Broadcast Centre (CBC) and the Base Station Controller (BSC).

| SDO (2) | Document No. | Version | Status | Issued date | Location (1) |
|------------------|---------------------------|---------|----------|-------------|---|
| Release 9 | | | | | |
| ATIS | ATIS.3GPP.48.049V940-2014 | 9.4.0 | Approved | May 14 | https://www.atis.org/docstore/default.aspx |

5.4.2.10 Annexes/Appendices

5.4.2.10.1 136-900

Introduction to Annexes and Appendices

This part contains information concerning the 900 series of parts which contain additional normative and informative information related to the TIA/EIA-136 standard.

| SDO (2) | Document No. | Version | Status | Issued date | Location (1) |
|---------|-----------------|---------|-----------|-------------|---|
| TIA | TIA/EIA-136-900 | 0 | Published | Mar 00 | http://www.tiaonline.org/standards/strategic-initiatives/code-division-multiple-access |

5.4.2.10.2 136-905

Normative information

This part contains additional normative information related to the TIA/EIA-136 standard.

| SDO (2) | Document No. | Version | Status | Issued date | Location (1) |
|---------|-----------------|---------|-----------|-------------|---|
| TIA | TIA/EIA-136-905 | A | Published | Jan 04 | http://www.tiaonline.org/standards/strategic-initiatives/code-division-multiple-access |

5.4.2.10.3 136-910

Informative information

This part provides additional informative information to aid the user to understand the use or application of the TIA/EIA-136 standard. Information such as frame formats, calculation of R-DATA message lengths and addressing is provided.

| SDO (2) | Document No. | Version | Status | Issued date | Location (1) |
|---------|-----------------|---------|-----------|-------------|---|
| TIA | TIA/EIA-136-910 | C | Published | Apr 02 | http://www.tiaonline.org/standards/strategic-initiatives/code-division-multiple-access |

5.4.2.10.4 136-932

Packet-data service - Stage 2 description

This informative part of TIA/EIA-136 contains stage 2 descriptions for the GPRS-136 packet data service. It describes the main traffic scenarios and

the message flows between different network elements.

| SDO (2) | Document No. | Version | Status | Issued date | Location (1) |
|---------|-----------------|---------|-----------|-------------|---|
| TIA | TIA/EIA-136-932 | 0 | Published | Mar 00 | http://www.tiaonline.org/standards/strategic-initiatives/code-division-multiple-access |

5.4.2.10.5 136-933

Packet-data service - Fixed coding mode MAC

This part describes the fixed-coding mode of the 136+ medium access control (MAC) function specified in TIA/EIA-136-332. Higher layers may use the MAC to transport data across a GPRS-136 radio interface using the 136+ bearer.

| SDO (2) | Document No. | Version | Status | Issued date | Location (1) |
|---------|-----------------|---------|-----------|-------------|---|
| TIA | TIA/EIA-136-933 | 0 | Published | Mar 00 | http://www.tiaonline.org/standards/strategic-initiatives/code-division-multiple-access |

5.4.2.10.6 136-940

Capacity and performance characteristics of UWC-136

This informative part contains additional information concerning the voice capacity, spectrum efficiency, and throughput performance for the UWC-136 system.

| SDO (2) | Document No. | Version | Status | Issued date | Location (1) |
|---------|-----------------|---------|-----------|-------------|---|
| TIA | TIA/EIA-136-940 | 0 | Published | Mar 00 | http://www.tiaonline.org/standards/strategic-initiatives/code-division-multiple-access |

5.4.2.10.7 136-972

Enhanced General Packet Data Service (EGPRS-136) Stage 2 Description

This informative part provides a Stage-2 description of the Enhanced General Packet Data Service (EGPRS_136).

| SDO (2) | Document No. | Version | Status | Issued date | Location (1) |
|---------|-----------------|---------|-----------|-------------|---|
| TIA | TIA/EIA-136-940 | 0 | Published | Mar 00 | http://www.tiaonline.org/standards/strategic-initiatives/code-division-multiple-access |

5.4.2.11 Other Procedures and Signalling

5.4.2.11.1 TS 23.007

Restoration procedures

This document describes the restoration procedures for the Location Register (HLR or VLR) data.

| SDO (2) | Document No. | Version | Status | Issued date | Location (1) |
|------------|--------------|---------|--------|-------------|--------------|
| Release 99 | | | | | |

| | | | | | |
|------------------|----------------------------|--------|----------|--------|---|
| ATIS | ATIS.3GPP.23.007V360-2005 | 3.6.0 | Approved | Apr 05 | https://www.atis.org/docstore/default.aspx |
| Release 5 | | | | | |
| ATIS | ATIS.3GPP.23.007V510-2005 | 5.1.0 | Approved | Apr 05 | https://www.atis.org/docstore/default.aspx |
| Release 6 | | | | | |
| ATIS | ATIS.3GPP.23.007V620-2009 | 6.2.0 | Approved | Jul 09 | https://www.atis.org/docstore/default.aspx |
| Release 7 | | | | | |
| ATIS | ATIS.3GPP.23.007V700-2008 | 7.0.0 | Approved | Oct 08 | https://www.atis.org/docstore/default.aspx |
| Release 8 | | | | | |
| ATIS | ATIS.3GPP.23.007V890-2012 | 8.9.0 | Approved | Jul 12 | https://www.atis.org/docstore/default.aspx |
| Release 9 | | | | | |
| ATIS | ATIS.3GPP.23.007V9100-2014 | 9.10.0 | Approved | May 14 | https://www.atis.org/docstore/default.aspx |

5.4.2.11.2 TS 23.008

Organization of subscriber data

This document describes the organization of the subscriber data stored in the HLR, VLR, or GSNs.

| SDO (2) | Document No. | Version | Status | Issued date | Location (1) |
|-------------------|----------------------------|---------|----------|-------------|---|
| Release 99 | | | | | |
| ATIS | ATIS.3GPP.23.008V380-2005 | 3.8.0 | Approved | Apr 05 | https://www.atis.org/docstore/default.aspx |
| Release 5 | | | | | |
| ATIS | ATIS.3GPP.23.008V5140-2010 | 5.14.0 | Approved | Jul 10 | https://www.atis.org/docstore/default.aspx |
| Release 6 | | | | | |
| ATIS | ATIS.3GPP.23.008V6150-2010 | 6.15.0 | Approved | Jul 10 | https://www.atis.org/docstore/default.aspx |
| Release 7 | | | | | |
| ATIS | ATIS.3GPP.23.008V7110-2010 | 7.11.0 | Approved | Jul 10 | https://www.atis.org/docstore/default.aspx |
| Release 8 | | | | | |
| ATIS | ATIS.3GPP.23.008V8130-2014 | 8.13.0 | Approved | May 14 | https://www.atis.org/docstore/default.aspx |
| Release 9 | | | | | |
| ATIS | ATIS.3GPP.23.008V970-2014 | 9.7.0 | Approved | May 14 | https://www.atis.org/docstore/default.aspx |

5.4.2.11.3 TS 23.009

Handover Procedures

This document describes the procedures for handover from cell to cell.

| SDO (2) | Document No. | Version | Status | Issued date | Location (1) |
|-------------------|----------------------------|---------|----------|-------------|---|
| Release 99 | | | | | |
| ATIS | ATIS.3GPP.23.009V3140-2005 | 3.14.0 | Approved | Apr 05 | https://www.atis.org/docstore/default.aspx |
| Release 5 | | | | | |
| ATIS | ATIS.3GPP.23.009V5120-2009 | 5.12.0 | Approved | Jul 09 | https://www.atis.org/docstore/default.aspx |
| Release 6 | | | | | |

1212

ITU-R M.1457-12

| | | | | | |
|--------------------------|---------------------------|-------|----------|--------|---|
| ATIS Release 7 | ATIS.3GPP.23.009V650-2009 | 6.5.0 | Approved | Jul 09 | https://www.atis.org/docstore/default.aspx |
| ATIS Release 8 | ATIS.3GPP.23.009V711-2009 | 7.1.1 | Approved | Jul 09 | https://www.atis.org/docstore/default.aspx |
| ATIS Release 9 | ATIS.3GPP.23.009V830-2014 | 8.3.0 | Approved | May 14 | https://www.atis.org/docstore/default.aspx |
| ATIS | ATIS.3GPP.23.009V940-2014 | 9.4.0 | Approved | May 14 | https://www.atis.org/docstore/default.aspx |

5.4.2.11.4 TS 23.012

Location Management Procedures

This document describes the procedures involving HLR, VLR, and MSC location management.

| SDO (2) | Document No. | Version | Status | Issued date | Location (1) |
|--------------------------|---------------------------|---------|----------|-------------|---|
| Release 99 | | | | | |
| ATIS Release 5 | T1.3GPP.23.012V330-2000 | 3.3.0 | Approved | Jun 00 | https://www.atis.org/docstore/default.aspx |
| ATIS Release 6 | ATIS.3GPP.23.012V520-2005 | 5.2.0 | Approved | Apr 05 | https://www.atis.org/docstore/default.aspx |
| ATIS Release 7 | ATIS.3GPP.23.012V640-2007 | 6.4.0 | Approved | Oct 07 | https://www.atis.org/docstore/default.aspx |
| ATIS Release 8 | ATIS.3GPP.23.012V730-2008 | 7.3.0 | Approved | Oct 08 | https://www.atis.org/docstore/default.aspx |
| ATIS Release 9 | ATIS.3GPP.23.012V820-2010 | 8.2.0 | Approved | Jul 10 | https://www.atis.org/docstore/default.aspx |
| ATIS | ATIS.3GPP.23.012V910-2014 | 9.1.0 | Approved | May 14 | https://www.atis.org/docstore/default.aspx |

5.4.2.11.5 TS 23.014

Support of Dual Tone Multi-Frequency (DTMF) signalling

This document describes the support of Dual Tone Multi Frequency (DTMF) signalling.

| SDO (2) | Document No. | Version | Status | Issued date | Location (1) |
|--------------------------|---------------------------|---------|----------|-------------|---|
| Release 99 | | | | | |
| ATIS Release 5 | T1.3GPP.23.014V320-2003 | 3.2.0 | Approved | Dec 03 | https://www.atis.org/docstore/default.aspx |
| ATIS Release 6 | T1.3GPP.23.014V510-2003 | 5.1.0 | Approved | Dec 03 | https://www.atis.org/docstore/default.aspx |
| ATIS Release 7 | ATIS.3GPP.23.014V600-2006 | 6.0.0 | Approved | Apr 06 | https://www.atis.org/docstore/default.aspx |
| ATIS Release 8 | ATIS.3GPP.23.014V700-2008 | 7.0.0 | Approved | Oct 08 | https://www.atis.org/docstore/default.aspx |

| | | | | | |
|------------------|---------------------------|-------|----------|--------|---|
| ATIS | ATIS.3GPP.23.014V800-2010 | 8.0.0 | Approved | Jul 10 | https://www.atis.org/docstore/default.aspx |
| Release 9 | | | | | |
| ATIS | ATIS.3GPP.23.014V900-2014 | 9.0.0 | Approved | May 14 | https://www.atis.org/docstore/default.aspx |

5.4.2.11.6 TS 23.018

Basic Call handling; Technical realization

This document describes technical realization of basic call handling.

| SDO (2) | Document No. | Version | Status | Issued date | Location (1) |
|-------------------|----------------------------|---------|----------|-------------|---|
| Release 99 | | | | | |
| ATIS | ATIS.3GPP.23.018V3120-2005 | 3.12.0 | Approved | Apr 05 | https://www.atis.org/docstore/default.aspx |
| Release 5 | | | | | |
| ATIS | ATIS.3GPP.23.018V5100-2007 | 5.10.0 | Approved | Oct 07 | https://www.atis.org/docstore/default.aspx |
| Release 6 | | | | | |
| ATIS | ATIS.3GPP.23.018V660-2007 | 6.6.0 | Approved | Oct 07 | https://www.atis.org/docstore/default.aspx |
| Release 7 | | | | | |
| ATIS | ATIS.3GPP.23.018V770-2009 | 7.7.0 | Approved | Jul 09 | https://www.atis.org/docstore/default.aspx |
| Release 8 | | | | | |
| ATIS | ATIS.3GPP.23.018V850-2014 | 8.5.0 | Approved | May 14 | https://www.atis.org/docstore/default.aspx |
| Release 9 | | | | | |
| ATIS | ATIS.3GPP.23.018V940-2014 | 9.4.0 | Approved | May 14 | https://www.atis.org/docstore/default.aspx |

5.4.2.11.7 TS 23.108

Mobile radio interface layer 3 specification; core network protocols; Stage 2

This document provides a stage 2 functional description of the layer 3 protocols for call control, mobility management, and session management.

| SDO (2) | Document No. | Version | Status | Issued date | Location (1) |
|-------------------|---------------------------|---------|----------|-------------|---|
| Release 99 | | | | | |
| ATIS | T1.3GPP.23.108V320-2000 | 3.2.0 | Approved | Mar 00 | https://www.atis.org/docstore/default.aspx |
| Release 5 | | | | | |
| ATIS | T1.3GPP.23.108V500-2003 | 5.0.0 | Approved | Mar 03 | https://www.atis.org/docstore/default.aspx |
| Release 6 | | | | | |
| ATIS | ATIS.3GPP.23.108V600-2006 | 6.0.0 | Approved | Apr 06 | https://www.atis.org/docstore/default.aspx |
| Release 7 | | | | | |
| ATIS | ATIS.3GPP.23.108V700-2007 | 7.0.0 | Approved | Oct 07 | https://www.atis.org/docstore/default.aspx |
| Release 8 | | | | | |
| ATIS | ATIS.3GPP.23.108V800-2009 | 8.0.0 | Approved | Jul 09 | https://www.atis.org/docstore/default.aspx |
| Release 9 | | | | | |
| ATIS | ATIS.3GPP.23.108V900-2014 | 9.0.0 | Approved | May 14 | https://www.atis.org/docstore/default.aspx |

5.4.2.11.8 TS 27.005**Use of Data Terminal Equipment û Data Circuit terminating Equipment (DTE-DCE) interface for Short Message Service (SMS) and Cell Broadcast Service (CBS)**

This document provides specification of the DTE-DCE interface for use with SMS and cell broadcast services.

| SDO (2) | Document No. | Version | Status | Issued date | Location (1) |
|-------------------|---------------------------|---------|----------|-------------|---|
| Release 99 | | | | | |
| ATIS | T1.3GPP.27.005V320-2003 | 3.2.0 | Approved | Mar 03 | https://www.atis.org/docstore/default.aspx |
| Release 5 | | | | | |
| ATIS | ATIS.3GPP.27.005V501-2006 | 5.0.1 | Approved | Apr 06 | https://www.atis.org/docstore/default.aspx |
| Release 6 | | | | | |
| ATIS | ATIS.3GPP.27.005V601-2006 | 6.0.1 | Approved | Apr 06 | https://www.atis.org/docstore/default.aspx |
| Release 7 | | | | | |
| ATIS | ATIS.3GPP.27.005V700-2007 | 7.0.0 | Approved | Oct 07 | https://www.atis.org/docstore/default.aspx |
| Release 8 | | | | | |
| ATIS | ATIS.3GPP.27.005V801-2012 | 8.0.1 | Approved | Jul 12 | https://www.atis.org/docstore/default.aspx |
| Release 9 | | | | | |
| ATIS | ATIS.3GPP.27.005V901-2014 | 9.0.1 | Approved | May 14 | https://www.atis.org/docstore/default.aspx |

5.4.2.11.9 TS 27.007**AT command set for User Equipment (UE)**

This document provides specification of the AT command set for user equipment.

| SDO (2) | Document No. | Version | Status | Issued date | Location (1) |
|-------------------|----------------------------|---------|----------|-------------|---|
| Release 99 | | | | | |
| ATIS | ATIS.3GPP.27.007V3140-2010 | 3.14.0 | Approved | Jul 10 | https://www.atis.org/docstore/default.aspx |
| Release 5 | | | | | |
| ATIS | ATIS.3GPP.27.007V570-2010 | 5.7.0 | Approved | Jul 10 | https://www.atis.org/docstore/default.aspx |
| Release 6 | | | | | |
| ATIS | ATIS.3GPP.27.007V6100-2010 | 6.10.0 | Approved | Jul 10 | https://www.atis.org/docstore/default.aspx |
| Release 7 | | | | | |
| ATIS | ATIS.3GPP.27.007V760-2010 | 7.6.0 | Approved | Jul 10 | https://www.atis.org/docstore/default.aspx |
| Release 8 | | | | | |
| ATIS | ATIS.3GPP.27.007V8150-2014 | 8.15.0 | Approved | May 14 | https://www.atis.org/docstore/default.aspx |
| Release 9 | | | | | |
| ATIS | ATIS.3GPP.27.007V990-2014 | 9.9.0 | Approved | May 14 | https://www.atis.org/docstore/default.aspx |

5.4.2.11.10 TS 27.010**Terminal Equipment to User Equipment (TE-UE) multiplexer protocol**

This document provides specification of the multiplexer protocol for the TE to UE interface.

| SDO (2) | Document No. | Version | Status | Issued date | Location (1) |
|-------------------|---------------------------|---------|----------|-------------|---|
| Release 99 | | | | | |
| ATIS | T1.3GPP.27.010V340-2002 | 3.4.0 | Approved | May 02 | https://www.atis.org/docstore/default.aspx |
| Release 5 | | | | | |
| ATIS | T1.3GPP.27.010V500-2003 | 5.0.0 | Approved | Mar 03 | https://www.atis.org/docstore/default.aspx |
| Release 6 | | | | | |
| ATIS | ATIS.3GPP.27.010V600-2006 | 6.0.0 | Approved | Apr 06 | https://www.atis.org/docstore/default.aspx |
| Release 7 | | | | | |
| ATIS | ATIS.3GPP.27.010V700-2007 | 7.0.0 | Approved | Oct 07 | https://www.atis.org/docstore/default.aspx |
| Release 8 | | | | | |
| ATIS | ATIS.3GPP.27.010V810-2012 | 8.1.0 | Approved | Jul 12 | https://www.atis.org/docstore/default.aspx |
| Release 9 | | | | | |
| ATIS | ATIS.3GPP.27.010V910-2012 | 9.1.0 | Approved | May 14 | https://www.atis.org/docstore/default.aspx |

5.4.2.11.11 TS 27.103

Wide area network synchronization

This document provides specification of the wide area network synchronization.

| SDO (2) | Document No. | Version | Status | Issued date | Location (1) |
|-------------------|-------------------------|---------|----------|-------------|---|
| Release 99 | | | | | |
| ATIS | T1.3GPP.27.103V310-2003 | 3.1.0 | Approved | Dec 03 | https://www.atis.org/docstore/default.aspx |
| Release 5 | | | | | |
| ATIS | T1.3GPP.27.103V500-2003 | 5.0.0 | Approved | Mar 03 | https://www.atis.org/docstore/default.aspx |

5.4.2.11.12 TS 21.202

Technical Specifications and Technical Reports relating to the Common IP Multimedia Subsystem (IMS)

This document identifies the 3GPP Technical Specifications and Technical Reports specifically relating to the IP Multimedia Subsystem (IMS). and which are common to all systems based on IMS.

| SDO (2) | Document No. | Version | Status | Issued date | Location (1) |
|------------------|---------------------------|---------|----------|-------------|---|
| Release 8 | | | | | |
| ATIS | ATIS.3GPP.21.202V850-2014 | 8.5.0 | Approved | May 14 | https://www.atis.org/docstore/default.aspx |
| Release 9 | | | | | |
| ATIS | ATIS.3GPP.21.202V930-2014 | 9.3.0 | Approved | May 14 | https://www.atis.org/docstore/default.aspx |

5.4.2.11.13 TS 22.173

IP Multimedia Core Network Subsystem (IMS) Multimedia Telephony Service and supplementary services; Stage 1

This document defines the IMS Multimedia Telephony service and the minimum set of capabilities required to secure multi-vendor and multi-operator inter-operability for Multimedia Telephony and related Supplementary Services.

| SDO (2) | Document No. | Version | Status | Issued date | Location (1) |
|------------------|---------------------------|---------|----------|-------------|---|
| Release 7 | | | | | |
| ATIS | ATIS.3GPP.22.173V750-2008 | 7.5.0 | Approved | Oct 08 | https://www.atis.org/docstore/default.aspx |
| Release 8 | | | | | |
| ATIS | ATIS.3GPP.22.173V890-2014 | 8.9.0 | Approved | May 14 | https://www.atis.org/docstore/default.aspx |
| Release 9 | | | | | |
| ATIS | ATIS.3GPP.22.173V960-2014 | 9.6.0 | Approved | May 14 | https://www.atis.org/docstore/default.aspx |

5.4.2.11.14 TS 22.228

Service requirements for the Internet Protocol (IP) Multimedia core network subsystem (IMS); Stage 1

This document provides the requirements for the IP Multimedia subsystem.

| SDO (2) | Document No. | Version | Status | Issued date | Location (1) |
|------------------|----------------------------|---------|----------|-------------|---|
| Release 6 | | | | | |
| ATIS | ATIS.3GPP.22.228V6110-2007 | 6.11.0 | Approved | Oct 07 | https://www.atis.org/docstore/default.aspx |
| Release 7 | | | | | |
| ATIS | ATIS.3GPP.22.228V760-2008 | 7.6.0 | Approved | Oct 08 | https://www.atis.org/docstore/default.aspx |
| Release 8 | | | | | |
| ATIS | ATIS.3GPP.22.228V870-2014 | 8.7.0 | Approved | May 14 | https://www.atis.org/docstore/default.aspx |
| Release 9 | | | | | |
| ATIS | ATIS.3GPP.22.228V940-2014 | 9.4.0 | Approved | May 14 | https://www.atis.org/docstore/default.aspx |

5.4.2.11.15 TS 22.268

Public Warning System (PWS) requirements

This document defines the stage one description of the Public Warning System (PWS) Requirements seen primarily from the usersÆ and service providersÆ points of view. The core requirements for the PWS that are sufficient to provide a complete service. This document also covers subsystem additional requirements for the Earthquake and Tsunami Warning System (ETWS) and the Commercial Mobile Alert System (CMAS).

| SDO (2) | Document No. | Version | Status | Issued date | Location (1) |
|------------------|---------------------------|---------|----------|-------------|---|
| Release 9 | | | | | |
| ATIS | ATIS.3GPP.22.268V950-2014 | 9.5.0 | Approved | May 14 | https://www.atis.org/docstore/default.aspx |

5.4.2.11.16 TR 22.935

Feasibility study on Location Services (LCS) for Wireless Local Area Network (WLAN) interworking

This feasibility study provides analysis for a generic interworking functionality for LCS between 3GPP system and WLAN systems (e.g. IEEE 802.11 family, HIPERLAN/2, à).

| SDO (2) | Document No. | Version | Status | Issued date | Location (1) |
|------------------|---------------------------|---------|----------|-------------|---|
| Release 7 | | | | | |
| ATIS | ATIS.3GPP.22.935V700-2008 | 7.0.0 | Approved | Oct 08 | https://www.atis.org/docstore/default.aspx |
| Release 8 | | | | | |
| ATIS | ATIS.3GPP.22.935V800-2010 | 8.0.0 | Approved | Jul 10 | https://www.atis.org/docstore/default.aspx |
| Release 9 | | | | | |
| ATIS | ATIS.3GPP.22.935V910-2014 | 9.1.0 | Approved | May 14 | https://www.atis.org/docstore/default.aspx |

5.4.2.11.17 TR 22.936

Multi-system terminals

This document studies the behaviour of a multi system terminal that supports both 3GPP and non-3GPP systems. Particular issues analyzed include: whether the system selection or PLMN selection should take higher priority in a multi system terminal; criteria and methods of system change; and interaction between userÆs and operatorÆs preferences.

| SDO (2) | Document No. | Version | Status | Issued date | Location (1) |
|------------------|---------------------------|---------|----------|-------------|---|
| Release 7 | | | | | |
| ATIS | ATIS.3GPP.22.936V710-2008 | 7.1.0 | Approved | Oct 08 | https://www.atis.org/docstore/default.aspx |
| Release 8 | | | | | |
| ATIS | ATIS.3GPP.22.936V800-2010 | 8.0.0 | Approved | Jul 10 | https://www.atis.org/docstore/default.aspx |
| Release 9 | | | | | |
| ATIS | ATIS.3GPP.22.936V900-2014 | 9.0.0 | Approved | May 14 | https://www.atis.org/docstore/default.aspx |

5.4.2.11.18 TR 22.953

Multimedia priority service feasibility study

This feasibility study provides an analysis of the Multimedia Priority Service which allows qualified and authorized users to obtain priority access to the next available radio channel on a priority basis before other PLMN users during situations when PLMN congestion is blocking session establishment attempts. In addition, Multimedia Priority Service supports priority sessions on an "end-to-end" priority basis.

| SDO (2) | Document No. | Version | Status | Issued date | Location (1) |
|------------------|---------------------------|---------|----------|-------------|---|
| Release 7 | | | | | |
| ATIS | ATIS.3GPP.22.953V710-2008 | 7.1.0 | Approved | Oct 08 | https://www.atis.org/docstore/default.aspx |
| Release 8 | | | | | |

1218

ITU-R M.1457-12

| | | | | | |
|------------------|---------------------------|-------|----------|--------|---|
| ATIS | ATIS.3GPP.22.953V800-2010 | 8.0.0 | Approved | Jul 10 | https://www.atis.org/docstore/default.aspx |
| Release 9 | | | | | |
| ATIS | ATIS.3GPP.22.953V900-2014 | 9.0.0 | Approved | May 14 | https://www.atis.org/docstore/default.aspx |

5.4.2.11.19 TR 22.967

Transferring of emergency call data

This examines the issues associated with the transmission of Emergency Call Data from a vehicle to a Public Service Access Point (PSAP).

| SDO (2) | Document No. | Version | Status | Issued date | Location (1) |
|------------------|---------------------------|---------|----------|-------------|---|
| Release 7 | | | | | |
| ATIS | ATIS.3GPP.22.967V700-2008 | 7.0.0 | Approved | Oct 08 | https://www.atis.org/docstore/default.aspx |
| Release 8 | | | | | |
| ATIS | ATIS.3GPP.22.967V800-2010 | 8.0.0 | Approved | Jul 10 | https://www.atis.org/docstore/default.aspx |
| Release 9 | | | | | |
| ATIS | ATIS.3GPP.22.967V900-2014 | 9.0.0 | Approved | May 14 | https://www.atis.org/docstore/default.aspx |

5.4.2.11.20 TR 22.973

IMS Multimedia Telephony service; and supplementary services

This document defines the IMS Multimedia Telephony service and associated supplementary services for IMS. The objective is to define the minimum set of capabilities required in the IP Multimedia Subsystem to secure multi-vendor and multi-operator inter-operability for the IMS Multimedia Telephony service and related Supplementary Services.

| SDO (2) | Document No. | Version | Status | Issued date | Location (1) |
|------------------|---------------------------|---------|----------|-------------|---|
| Release 7 | | | | | |
| ATIS | ATIS.3GPP.22.973V700-2008 | 7.0.0 | Approved | Oct 08 | https://www.atis.org/docstore/default.aspx |
| Release 8 | | | | | |
| ATIS | ATIS.3GPP.22.973V800-2010 | 8.0.0 | Approved | Jul 10 | https://www.atis.org/docstore/default.aspx |
| Release 9 | | | | | |
| ATIS | ATIS.3GPP.22.973V900-2014 | 9.0.0 | Approved | May 14 | https://www.atis.org/docstore/default.aspx |

5.4.2.11.21 TR 22.979

Feasibility study on combined Circuit Switched (CS) calls and IP Multimedia Subsystem (IMS) sessions

This document studies the service requirements associated with a multimedia service combining a CS call with one or more IMS services (or vice versa), while appearing as a single service to both end-users. The feasibility study addresses the high-level requirements and use cases such for combinational service including charging and user experience.

| SDO (2) | Document No. | Version | Status | Issued date | Location (1) |
|------------------|--------------|---------|--------|-------------|--------------|
| Release 7 | | | | | |

| | | | | | |
|------------------|---------------------------|-------|----------|--------|---|
| ATIS | ATIS.3GPP.22.979V700-2008 | 7.0.0 | Approved | Oct 08 | https://www.atis.org/docstore/default.aspx |
| Release 8 | | | | | |
| ATIS | ATIS.3GPP.22.979V800-2010 | 8.0.0 | Approved | Jul 10 | https://www.atis.org/docstore/default.aspx |
| Release 9 | | | | | |
| ATIS | ATIS.3GPP.22.979V900-2014 | 9.0.0 | Approved | May 14 | https://www.atis.org/docstore/default.aspx |

5.4.2.11.22 TS 23.002

Network Architecture

This document provides an overall network architecture description for the PLMN.

| SDO (2) | Document No. | Version | Status | Issued date | Location (1) |
|------------------|----------------------------|---------|----------|-------------|---|
| Release 6 | | | | | |
| ATIS | ATIS.3GPP.23.002V6100-2006 | 6.10.0 | Approved | Apr 06 | https://www.atis.org/docstore/default.aspx |
| Release 7 | | | | | |
| ATIS | ATIS.3GPP.23.002V760-2009 | 7.6.0 | Approved | Jul 09 | https://www.atis.org/docstore/default.aspx |
| Release 8 | | | | | |
| ATIS | ATIS.3GPP.23.002V870-2012 | 8.7.0 | Approved | Jul 12 | https://www.atis.org/docstore/default.aspx |
| Release 9 | | | | | |
| ATIS | ATIS.3GPP.23.002V960-2014 | 9.6.0 | Approved | May 14 | https://www.atis.org/docstore/default.aspx |

5.4.2.11.23 TS 23.053

Tandem Free Operation (TFO); Service description; Stage 2

This document specifies the stage 2 description of tandem free operation for speech calls.

| SDO (2) | Document No. | Version | Status | Issued date | Location (1) |
|------------------|---------------------------|---------|----------|-------------|---|
| Release 6 | | | | | |
| ATIS | ATIS.3GPP.23.053V600-2008 | 6.0.0 | Approved | Oct 08 | https://www.atis.org/docstore/default.aspx |
| Release 7 | | | | | |
| ATIS | ATIS.3GPP.23.053V700-2008 | 7.0.0 | Approved | Oct 08 | https://www.atis.org/docstore/default.aspx |
| Release 8 | | | | | |
| ATIS | ATIS.3GPP.23.053V800-2010 | 8.0.0 | Approved | Jul 10 | https://www.atis.org/docstore/default.aspx |
| Release 9 | | | | | |
| ATIS | ATIS.3GPP.23.053V900-2014 | 9.0.0 | Approved | May 14 | https://www.atis.org/docstore/default.aspx |

5.4.2.11.24 TS 23.067

enhanced Multi-Level Precedence and Pre-emption Service (eMLPP); Stage 2

This document specifies the stage 2 description of the enhanced Multi-Level Precedence and Pre-emption Service (eMLPP) which provides different call priorities in combination with fast call set-up and pre-emption for different applications.

| SDO (2) | Document No. | Version | Status | Issued date | Location (1) |
|------------------|---------------------------|---------|----------|-------------|---|
| Release 6 | | | | | |
| ATIS | ATIS.3GPP.23.067V610-2008 | 6.1.0 | Approved | Oct 08 | https://www.atis.org/docstore/default.aspx |
| Release 7 | | | | | |
| ATIS | ATIS.3GPP.23.067V710-2008 | 7.1.0 | Approved | Oct 08 | https://www.atis.org/docstore/default.aspx |
| Release 8 | | | | | |
| ATIS | ATIS.3GPP.23.067V900-2014 | 9.0.0 | Approved | May 14 | https://www.atis.org/docstore/default.aspx |
| ATIS | ATIS.3GPP.23.067V801-2010 | 8.0.1 | Approved | Jul 10 | https://www.atis.org/docstore/default.aspx |

5.4.2.11.25 TS 23.107

Quality of Service (QoS) concept and architecture

This document provides overall framework and architecture for the provision of Quality of Service in UTRAN/GERAN systems.

| SDO (2) | Document No. | Version | Status | Issued date | Location (1) |
|------------------|----------------------------|---------|----------|-------------|---|
| Release 5 | | | | | |
| ATIS | ATIS.3GPP.23.107V5130-2006 | 5.13.0 | Approved | Apr 06 | https://www.atis.org/docstore/default.aspx |
| Release 6 | | | | | |
| ATIS | ATIS.3GPP.23.107V640-2007 | 6.4.0 | Approved | Oct 07 | https://www.atis.org/docstore/default.aspx |
| Release 7 | | | | | |
| ATIS | ATIS.3GPP.23.107V710-2008 | 7.1.0 | Approved | Oct 08 | https://www.atis.org/docstore/default.aspx |
| Release 8 | | | | | |
| ATIS | ATIS.3GPP.23.107V820-2014 | 8.2.0 | Approved | May 14 | https://www.atis.org/docstore/default.aspx |
| Release 9 | | | | | |
| ATIS | ATIS.3GPP.23.107V930-2014 | 9.3.0 | Approved | May 14 | https://www.atis.org/docstore/default.aspx |

5.4.2.11.26 TS 23.142

Value-added Services for SMS (VAS4SMS); Interface and signalling flow

This document describes the stage 2 of the VAS4SMS including the logic architecture, logic elements functionality and signaling flows. Also included is the interaction with other features. The service requirements of VAS4SMS are specified in 3GPP TS 22.142.

| SDO (2) | Document No. | Version | Status | Issued date | Location (1) |
|------------------|---------------------------|---------|----------|-------------|---|
| Release 9 | | | | | |
| ATIS | ATIS.3GPP.23.142V901-2014 | 9.0.1 | Approved | May 14 | https://www.atis.org/docstore/default.aspx |

5.4.2.11.27 TS 23.153

Out of band transcoder control; Stage 2

This document specifies the stage 2 description of the Out-of-Band Transcoder Control for speech services. It describes the principles and procedures to support Transcoder Free Operation, Tandem Free Operation and the interworking between TrFO and TFO. Transcoder at the edge is also part of the present document.

| SDO (2) | Document No. | Version | Status | Issued date | Location (1) |
|------------------|---------------------------|---------|----------|-------------|---|
| Release 9 | | | | | |
| ATIS | ATIS.3GPP.23.153V930-2014 | 9.3.0 | Approved | May 14 | https://www.atis.org/docstore/default.aspx |

5.4.2.11.28 TS 23.203**Policy and charging control architecture**

This document provides full harmonization and merger of enhanced policy control to allow service based QoS policy control for GPRS access for session based PS applications and IP flow control based charging to allow more granularity for end-user charging, accounting and online credit control.

| SDO (2) | Document No. | Version | Status | Issued date | Location (1) |
|------------------|----------------------------|---------|----------|-------------|---|
| Release 7 | | | | | |
| ATIS | ATIS.3GPP.23.203V7140-2014 | 7.14.0 | Approved | May 14 | https://www.atis.org/docstore/default.aspx |
| Release 8 | | | | | |
| ATIS | ATIS.3GPP.23.203V8140-2014 | 8.14.0 | Approved | May 14 | https://www.atis.org/docstore/default.aspx |
| Release 9 | | | | | |
| ATIS | ATIS.3GPP.23.203V9130-2014 | 9.13.0 | Approved | May 14 | https://www.atis.org/docstore/default.aspx |

5.4.2.11.29 TS 23.205**Bearer-independent circuit-switched core network; Stage 2**

This document defines the stage 2 description for the bearer independent CS core network which covers the information flow between the GMSC server, MSC server and media gateways. This document shows the CS core network termination of the Iu interface in order to cover the information flow stimulus to the core network and describe the interaction with the supplementary and value added services and capabilities. For the purposes of this document, the protocol used over the Nc interface is an enhanced call control protocol supporting call bearer separation such as BICC (which is specified in TS 29.205). The protocol used over the Mc interface is H.248 (which is specified in 3GPP TS 29.232). This document is applicable only for ATM or IP transport in the CS core network.

| SDO (2) | Document No. | Version | Status | Issued date | Location (1) |
|------------------|---------------------------|---------|----------|-------------|---|
| Release 9 | | | | | |
| ATIS | ATIS.3GPP.23.205V940-2014 | 9.4.0 | Approved | May 14 | https://www.atis.org/docstore/default.aspx |

5.4.2.11.30 TS 23.206**Voice Call Continuity (VCC) between Circuit Switched (CS) and IP Multimedia Subsystem (IMS); Stage 2**

This document provides a stage 2 service description of the Voice Call Continuity function which provides the capability to transfer the path of an existing voice call between a 3GPP CS system (GSM/UMTS) and IMS, and vice versa.

| SDO (2) | Document No. | Version | Status | Issued date | Location (1) |
|------------------|---------------------------|---------|----------|-------------|---|
| Release 7 | | | | | |
| ATIS | ATIS.3GPP.23.206V750-2008 | 7.5.0 | Approved | Oct 08 | https://www.atis.org/docstore/default.aspx |

5.4.2.11.31 TS 23.207**End-to-End Quality of Service (QoS) concept and architecture**

This document provides a framework for the provision of end-to-end Quality of Service in UTRAN/GERAN systems.

| SDO (2) | Document No. | Version | Status | Issued date | Location (1) |
|------------------|---------------------------|---------|----------|-------------|---|
| Release 6 | | | | | |
| ATIS | ATIS.3GPP.23.207V660-2006 | 6.6.0 | Approved | Apr 06 | https://www.atis.org/docstore/default.aspx |
| Release 7 | | | | | |
| ATIS | ATIS.3GPP.23.207V700-2008 | 7.0.0 | Approved | Oct 08 | https://www.atis.org/docstore/default.aspx |
| Release 8 | | | | | |
| ATIS | ATIS.3GPP.23.207V800-2010 | 8.0.0 | Approved | Jul 10 | https://www.atis.org/docstore/default.aspx |
| Release 9 | | | | | |
| ATIS | ATIS.3GPP.23.207V900-2014 | 9.0.0 | Approved | May 14 | https://www.atis.org/docstore/default.aspx |

5.4.2.11.32 TS 23.216**Single Radio Voice Call Continuity (SRVCC); Stage 2**

This document specifies the architecture enhancements for Single Radio Voice Call Continuity (SRVCC) between E_UTRAN access and 3GPP2's 1xCS, and between E_UTRAN access and 3GPP's UTRAN/GERAN accesses and between UTRAN (HSPA) access and 3GPP's UTRAN/GERAN accesses, for Circuit Switched (CS) calls that are anchored in the IMS.

| SDO (2) | Document No. | Version | Status | Issued date | Location (1) |
|------------------|---------------------------|---------|----------|-------------|---|
| Release 8 | | | | | |
| ATIS | ATIS.3GPP.23.216V880-2014 | 8.8.0 | Approved | May 14 | https://www.atis.org/docstore/default.aspx |
| Release 9 | | | | | |
| ATIS | ATIS.3GPP.23.216V990-2014 | 9.9.0 | Approved | May 14 | https://www.atis.org/docstore/default.aspx |

5.4.2.11.33 TS 23.218**IP Multimedia (IM) session handling; IM call model; Stage 2**

This document provides a stage 2 description of the IP Multimedia call model for origination and termination of an IP Multimedia session.

| SDO (2) | Document No. | Version | Status | Issued date | Location (1) |
|------------------|----------------------------|---------|----------|-------------|---|
| Release 5 | | | | | |
| ATIS | ATIS.3GPP.23.218V590-2007 | 5.9.0 | Approved | Oct 07 | https://www.atis.org/docstore/default.aspx |
| Release 6 | | | | | |
| ATIS | ATIS.3GPP.23.218V640-2007 | 6.4.0 | Approved | Oct 07 | https://www.atis.org/docstore/default.aspx |
| Release 7 | | | | | |
| ATIS | ATIS.3GPP.23.218V7100-2010 | 7.10.0 | Approved | Jul 10 | https://www.atis.org/docstore/default.aspx |
| Release 8 | | | | | |
| ATIS | ATIS.3GPP.23.218V860-2010 | 8.6.0 | Approved | Jul 10 | https://www.atis.org/docstore/default.aspx |
| Release 9 | | | | | |
| ATIS | ATIS.3GPP.23.218V920-2014 | 9.2.0 | Approved | May 14 | https://www.atis.org/docstore/default.aspx |

5.4.2.11.34 TS 23.231**SIP-I based circuit-switched core network; Stage 2**

This document defines the stage 2 description for the SIP-I based CS core network. The logical architecture for the SIP-I based CS core network is defined in 3GPP TS 23.205. This stage 2 shall cover the information flows between the GMSC server, MSC server and media gateways that are required to support a SIP-I based Nc interface.

| SDO (2) | Document No. | Version | Status | Issued date | Location (1) |
|------------------|---------------------------|---------|----------|-------------|---|
| Release 8 | | | | | |
| ATIS | ATIS.3GPP.23.231V840-2010 | 8.4.0 | Approved | Jul 10 | https://www.atis.org/docstore/default.aspx |
| Release 9 | | | | | |
| ATIS | ATIS.3GPP.23.231V900-2014 | 9.0.0 | Approved | May 14 | https://www.atis.org/docstore/default.aspx |

5.4.2.11.35 TS 23.237**IP Multimedia Subsystem (IMS); Service Continuity; Stage 2**

This document specifies the architectural requirements and procedures for delivery of IMS Service Continuity: PS-CS service continuity using IMS Centralized Services, PS-PS service continuity, and PS-PS service continuity in conjunction with PS-CS service continuity.

| SDO (2) | Document No. | Version | Status | Issued date | Location (1) |
|------------------|---------------------------|---------|----------|-------------|---|
| Release 8 | | | | | |
| ATIS | ATIS.3GPP.23.237V870-2010 | 8.7.0 | Approved | Jul 10 | https://www.atis.org/docstore/default.aspx |

Release 9

ATIS ATIS.3GPP.23.237V9100-2014 9.10.0 Approved May 14 <https://www.atis.org/docstore/default.aspx>

5.4.2.11.36 TS 23.272**Circuit-switched (CS) fallback in Evolved Packet System (EPS); Stage 2**

This document defines the Stage 2 architecture and specification for the CS Fallback and for SMS over SGs for EPS or CS Fallback and SMS via 1xCS. The scope of this document includes the architecture enhancements for functionality to enable fallback from E-UTRAN access to UTRAN/GERAN CS domain access and to CDMA 1x RTT CS domain access, and functionality to reuse of voice and other CS-domain services (e.g. CS UDI video / LCS / USSD) by reuse of the CS domain.

| SDO (2) | Document No. | Version | Status | Issued date | Location (1) |
|------------------|----------------------------|---------|----------|-------------|---|
| Release 8 | | | | | |
| ATIS | ATIS.3GPP.23.272V8120-2014 | 8.12.0 | Approved | May 14 | https://www.atis.org/docstore/default.aspx |
| Release 9 | | | | | |
| ATIS | ATIS.3GPP.23.272V9150-2014 | 9.15.0 | Approved | May 14 | https://www.atis.org/docstore/default.aspx |

5.4.2.11.37 TS 23.279**Combining Circuit Switched (CS) and IP Multimedia Subsystem (IMS) services; Stage 2**

This document provides a stage 2 service description of the architectural details to combine CS services and IMS services for using them in parallel between the same two users in a peer-to-peer context.

| SDO (2) | Document No. | Version | Status | Issued date | Location (1) |
|------------------|---------------------------|---------|----------|-------------|---|
| Release 7 | | | | | |
| ATIS | ATIS.3GPP.23.279V770-2008 | 7.7.0 | Approved | Oct 08 | https://www.atis.org/docstore/default.aspx |
| Release 8 | | | | | |
| ATIS | ATIS.3GPP.23.279V810-2010 | 8.1.0 | Approved | Jul 10 | https://www.atis.org/docstore/default.aspx |
| Release 9 | | | | | |
| ATIS | ATIS.3GPP.23.279V900-2014 | 9.0.0 | Approved | May 14 | https://www.atis.org/docstore/default.aspx |

5.4.2.11.38 TS 23.292**IP Multimedia Subsystem (IMS) centralized services; Stage 2**

This document specifies the architectural requirements for delivery of consistent IMS services to the user regardless of the attached access type (e.g. CS domain access, or IP-CAN).

| SDO (2) | Document No. | Version | Status | Issued date | Location (1) |
|------------------|---------------------------|---------|----------|-------------|---|
| Release 8 | | | | | |
| ATIS | ATIS.3GPP.23.292V880-2012 | 8.8.0 | Approved | Jul 12 | https://www.atis.org/docstore/default.aspx |
| Release 9 | | | | | |

ATIS ATIS.3GPP.23.292V980-2014 9.8.0 Approved May 14 <https://www.atis.org/docstore/default.aspx>

5.4.2.11.39 TS 23.327

Mobility between 3GPP-Wireless Local Area Network (WLAN) interworking and 3GPP systems

This document specifies the stage 2 system description for providing mobility between 3GPP Wireless Local Area Network Interworking (I_WLAN) and 3GPP Systems. It is to define a technical solution based on the working principles of DSMIPv6 with necessary enhancement of the I_WLAN architecture for supporting mobility and roaming between 3GPP_WLAN Interworking system and 3GPP Systems so that ongoing 3GPP PS based services can be maintained with minimal impact on the end_user's perceived quality on the services at a change of the access network (between I_WLAN and 3GPP Access Systems).

| SDO (2) | Document No. | Version | Status | Issued date | Location (1) |
|------------------|---------------------------|---------|----------|-------------|---|
| Release 8 | | | | | |
| ATIS | ATIS.3GPP.23.327V840-2010 | 8.4.0 | Approved | Jul 10 | https://www.atis.org/docstore/default.aspx |
| Release 9 | | | | | |
| ATIS | ATIS.3GPP.23.327V900-2014 | 9.0.0 | Approved | May 14 | https://www.atis.org/docstore/default.aspx |

5.4.2.11.40 TS 23.333

Multimedia Resource Function Controller (MRFC) û Multimedia Resource Function Processor (MRFP) Mp interface: Procedures descriptions

This document specifies the functional requirements and information flows that generate procedures between the Multimedia Resource Function Controller (MRFC) and the Multimedia Resource Function Processor (MRFP), the Mp Interface. This specification is limited to information flows relevant to the Mp Interface; in order to define these procedures and make the functional requirements clear, some triggers from an external interface may be described; these may be specified within the Mr interface for example or within an AS in which the MRFC function resides.

| SDO (2) | Document No. | Version | Status | Issued date | Location (1) |
|------------------|---------------------------|---------|----------|-------------|---|
| Release 9 | | | | | |
| ATIS | ATIS.3GPP.23.333V900-2014 | 9.0.0 | Approved | May 14 | https://www.atis.org/docstore/default.aspx |

5.4.2.11.41 TS 23.334

IP Multimedia Subsystem (IMS) Application Level Gateway (IMS-ALG) û IMS Access Gateway (IMS-AGW) interface: Procedures descriptions

This document specifies the stage 2 description for the Iq reference point. The stage 2 shall cover the information flow between the P-CSCF (IMS-

ALG) and IMS-AGW. The protocol used over the Iq interface is the gateway control protocol according ITU-T Recommendation H.248 (which is specified for Iq by an H.248 profile according 3GPP TS 29.334).

| SDO (2) | Document No. | Version | Status | Issued date | Location (1) |
|------------------|---------------------------|---------|----------|-------------|---|
| Release 9 | | | | | |
| ATIS | ATIS.3GPP.23.334V930-2014 | 9.3.0 | Approved | May 14 | https://www.atis.org/docstore/default.aspx |

5.4.2.11.42 TS 23.335

User Data Convergence (UDC); Technical realization and information flows; Stage 2

This document specifies The UDC concept (specified in 3GPP TS 22.101) which supports a layered architecture, separating the data from the application logic in the 3GPP system, so that user data is stored in a logically unique repository allowing access from core and service layer entities, named Application Front Ends. This document describes the procedures and signalling flows associated to the technical realization of the 3GPP User Data Convergence (UDC) including reference architecture for the UDC concept, general description of procedures for data manipulation, and identification of requirements on the UDC. User data convergence is an optional concept to ensure data consistency and simplify creation of new services by providing easy access to the user data, as well as to ensure the consistency of storage and data models and to have minimum impact on traffic mechanisms, reference points and protocols of network elements.

| SDO (2) | Document No. | Version | Status | Issued date | Location (1) |
|------------------|---------------------------|---------|----------|-------------|---|
| Release 9 | | | | | |
| ATIS | ATIS.3GPP.23.335V930-2014 | 9.3.0 | Approved | May 14 | https://www.atis.org/docstore/default.aspx |

5.4.2.11.43 TS 23.380

IP Multimedia Subsystem (IMS) Application Level Gateway (IMS-ALG) û IMS Access Gateway (IMS-AGW) interface: Procedures descriptions

This document specifies a set of standardized procedures for automatic restoration after loss or corruption of data reducing the impact of these problems in order to improve service to the users. The scenarios covered here for the IMS Domain are similar to those covered in 3GPP TS 23.007 for the CS and PS Domains. This document specifies the procedures required in 3GPP IMS to handle a S-CSCF service interruption scenario with minimum impact to the service to the end user.

| SDO (2) | Document No. | Version | Status | Issued date | Location (1) |
|------------------|---------------------------|---------|----------|-------------|---|
| Release 9 | | | | | |
| ATIS | ATIS.3GPP.23.380V960-2014 | 9.6.0 | Approved | May 14 | https://www.atis.org/docstore/default.aspx |

5.4.2.11.44 TR 23.919

Direct tunnel deployment guidelines

This document provides the deployment guidelines for the use of direct tunnelling of user plane data between the RNC and the GGSN (earlier

known as the One Tunnel approach). These guidelines highlight the impacts of the 3GPP Release 7 Direct Tunnel solution to the current UMTS system in order to guide equipment development and network deployment.

| SDO (2) | Document No. | Version | Status | Issued date | Location (1) |
|------------------|---------------------------|---------|----------|-------------|---|
| Release 7 | | | | | |
| ATIS | ATIS.3GPP.23.919V700-2008 | 7.0.0 | Approved | Oct 08 | https://www.atis.org/docstore/default.aspx |
| Release 8 | | | | | |
| ATIS | ATIS.3GPP.23.919V800-2010 | 8.0.0 | Approved | Jul 10 | https://www.atis.org/docstore/default.aspx |
| Release 9 | | | | | |
| ATIS | ATIS.3GPP.23.919V900-2014 | 9.0.0 | Approved | May 14 | https://www.atis.org/docstore/default.aspx |

5.4.2.11.45 TS 24.067

Enhanced Multi-level Precedence and Pre-emption service (eMLPP); Stage 3

This document specifies the procedures used at the radio interface for normal operation, invocation, registration and interrogation of the enhanced Multi-Level Precedence and Pre-emption Service (eMLPP) supplementary service.

| SDO (2) | Document No. | Version | Status | Issued date | Location (1) |
|------------------|---------------------------|---------|----------|-------------|---|
| Release 5 | | | | | |
| ATIS | ATIS.3GPP.24.067V500-2006 | 5.0.0 | Approved | Apr 06 | https://www.atis.org/docstore/default.aspx |
| Release 6 | | | | | |
| ATIS | ATIS.3GPP.24.067V600-2006 | 6.0.0 | Approved | Apr 06 | https://www.atis.org/docstore/default.aspx |
| Release 7 | | | | | |
| ATIS | ATIS.3GPP.24.067V700-2008 | 7.0.0 | Approved | Oct 08 | https://www.atis.org/docstore/default.aspx |
| Release 8 | | | | | |
| ATIS | ATIS.3GPP.24.067V800-2010 | 8.0.0 | Approved | Jul 10 | https://www.atis.org/docstore/default.aspx |
| Release 9 | | | | | |
| ATIS | ATIS.3GPP.24.067V900-2014 | 9.0.0 | Approved | May 14 | https://www.atis.org/docstore/default.aspx |

5.4.2.11.46 TS 24.141

Presence service using the IP Multimedia (IM) Core Network (CN) subsystem ; Stage 3

This document provides detailed protocol description of the operation of the presence service within the IMS based on the session initiation protocol (SIP).

| SDO (2) | Document No. | Version | Status | Issued date | Location (1) |
|------------------|----------------------------|---------|----------|-------------|---|
| Release 6 | | | | | |
| ATIS | ATIS.3GPP.24.141V6140-2012 | 6.14.0 | Approved | Jul 12 | https://www.atis.org/docstore/default.aspx |
| Release 7 | | | | | |
| ATIS | ATIS.3GPP.24.141V790-2012 | 7.9.0 | Approved | Jul 12 | https://www.atis.org/docstore/default.aspx |
| Release 8 | | | | | |
| ATIS | ATIS.3GPP.24.141V860-2012 | 8.6.0 | Approved | Jul 12 | https://www.atis.org/docstore/default.aspx |

Release 9

| | | | | | |
|------|---------------------------|-------|----------|--------|---|
| ATIS | ATIS.3GPP.24.141V920-2014 | 9.2.0 | Approved | May 14 | https://www.atis.org/docstore/default.aspx |
|------|---------------------------|-------|----------|--------|---|

5.4.2.11.47 TS 24.147**Conferencing using the IP Multimedia (IM) Core Network (CN) subsystem; Stage 3**

This document provides detailed protocol description of the operation of the conferencing service within the IMS based on the session initiation protocol (SIP).

| SDO (2) | Document No. | Version | Status | Issued date | Location (1) |
|------------------|----------------------------|---------|----------|-------------|---|
| Release 6 | | | | | |
| ATIS | ATIS.3GPP.24.147V690-2008 | 6.9.0 | Approved | Oct 08 | https://www.atis.org/docstore/default.aspx |
| Release 7 | | | | | |
| ATIS | ATIS.3GPP.24.147V7100-2009 | 7.10.0 | Approved | Jul 09 | https://www.atis.org/docstore/default.aspx |
| Release 8 | | | | | |
| ATIS | ATIS.3GPP.24.147V840-2014 | 8.4.0 | Approved | May 14 | https://www.atis.org/docstore/default.aspx |
| Release 9 | | | | | |
| ATIS | ATIS.3GPP.24.147V930-2014 | 9.3.0 | Approved | May 14 | https://www.atis.org/docstore/default.aspx |

5.4.2.11.48 TS 24.166**3GPP IP Multimedia Subsystem (IMS) Conferencing Management Object (MO)**

This document defines the IMS conferencing management object. The management object is compatible with OMA Device Management protocol specifications, version 1.2 and upwards, and is defined using the OMA DM Device Description Framework as described in the Enabler Release Definition OMA-ERELED_DM-V1_2. The IMS conferencing management object consists of relevant parameters that can be managed for IMS conferencing capabilities.

| SDO (2) | Document No. | Version | Status | Issued date | Location (1) |
|------------------|---------------------------|---------|----------|-------------|---|
| Release 9 | | | | | |
| ATIS | ATIS.3GPP.24.166V920-2014 | 9.2.0 | Approved | May 14 | https://www.atis.org/docstore/default.aspx |

5.4.2.11.49 TS 24.182**IP Multimedia Subsystem (IMS) Customized Alerting Tones (CAT) Protocol specification**

The present document provides the protocol details for the Customized Alerting Tones (CAT) service in the IP Multimedia (IM) Core Network (CN) subsystem. The CAT service is an operator specific service by which an operator enables the subscriber to customize the media which is played to the calling party during alerting of the called party.

| SDO (2) | Document No. | Version | Status | Issued date | Location (1) |
|------------------|---------------------------|---------|----------|-------------|---|
| Release 8 | | | | | |
| ATIS | ATIS.3GPP.24.182V870-2012 | 8.7.0 | Approved | Jul 12 | https://www.atis.org/docstore/default.aspx |
| Release 9 | | | | | |
| ATIS | ATIS.3GPP.24.182V990-2014 | 9.9.0 | Approved | May 14 | https://www.atis.org/docstore/default.aspx |

5.4.2.11.50 TS 24.206

Voice Call Continuity (between Circuit Switched (CS) and IP Multimedia Subsystem (IMS); Stage 3

This document provides the stage 3 details of the Voice Call Continuity function which provides the capability to transfer the path of an existing voice call between a 3GPP CS system (GSM/UMTS) and IMS, and vice versa.

| SDO (2) | Document No. | Version | Status | Issued date | Location (1) |
|------------------|---------------------------|---------|----------|-------------|---|
| Release 7 | | | | | |
| ATIS | ATIS.3GPP.24.206V750-2008 | 7.5.0 | Approved | Oct 08 | https://www.atis.org/docstore/default.aspx |

5.4.2.11.51 TS 24.229

IP Multimedia call control protocol based on Session Initiation Protocol (SIP) and Session Description Protocol (SDP); Stage 3

This document defines a call control protocol for the IP Multimedia subsystem based on the Session Initiation Protocol and the associated Session Description Protocol.

| SDO (2) | Document No. | Version | Status | Issued date | Location (1) |
|------------------|----------------------------|---------|----------|-------------|---|
| Release 5 | | | | | |
| ATIS | ATIS.3GPP.24.229V5260-2014 | 5.26.0 | Approved | May 14 | https://www.atis.org/docstore/default.aspx |
| Release 6 | | | | | |
| ATIS | ATIS.3GPP.24.229V6290-2014 | 6.29.0 | Approved | May 14 | https://www.atis.org/docstore/default.aspx |
| Release 7 | | | | | |
| ATIS | ATIS.3GPP.24.229V7320-2014 | 7.32.0 | Approved | May 14 | https://www.atis.org/docstore/default.aspx |
| Release 8 | | | | | |
| ATIS | ATIS.3GPP.24.229V8270-2014 | 8.27.0 | Approved | May 14 | https://www.atis.org/docstore/default.aspx |
| Release 9 | | | | | |
| ATIS | ATIS.3GPP.24.229V9190-2014 | 9.19.0 | Approved | May 14 | https://www.atis.org/docstore/default.aspx |

5.4.2.11.52 TS 24.294

IP Multimedia Subsystem (IMS) Centralized Services (ICS) protocol via I1 interface

This document describes the I1 interface between IMS Centralized Services (ICS) UE and Service Centralization and Continuity (SCC) Application Server (AS). The specification defines a new application layer protocol over I1 interface, specifies the interaction between the ICS UE and the SCC AS including session control procedures and supplementary services control procedures. This document is applicable to User Equipment (UE) and

Application Servers (AS) which are intended to support the IMS centralized services.

| SDO (2) | Document No. | Version | Status | Issued date | Location (1) |
|------------------|---------------------------|---------|----------|-------------|---|
| Release 9 | | | | | |
| ATIS | ATIS.3GPP.24.294V960-2014 | 9.6.0 | Approved | May 14 | https://www.atis.org/docstore/default.aspx |

5.4.2.11.53 TS 24.305

Selective Disabling of 3GPP User Equipment Capabilities (SDoUE) Management Object (MO)

This document specifies a mobile device Selective Disabling of UE Capabilities (SDoUE) Management Object (MO) and the rules and corresponding behaviour of the UE with regard to the selective disabling of UE capabilities, for example, when services or functions are disabled/enabled.

| SDO (2) | Document No. | Version | Status | Issued date | Location (1) |
|------------------|---------------------------|---------|----------|-------------|---|
| Release 7 | | | | | |
| ATIS | ATIS.3GPP.24.305V740-2009 | 7.4.0 | Approved | Jul 09 | https://www.atis.org/docstore/default.aspx |
| Release 8 | | | | | |
| ATIS | ATIS.3GPP.24.305V820-2010 | 8.2.0 | Approved | Jul 10 | https://www.atis.org/docstore/default.aspx |
| Release 9 | | | | | |
| ATIS | ATIS.3GPP.24.305V900-2014 | 9.0.0 | Approved | May 14 | https://www.atis.org/docstore/default.aspx |

5.4.2.11.54 TS 24.327

Mobility between 3GPP-Wireless Local Area Network (WLAN) interworking and 3GPP systems

This document specifies the signalling procedures for handling the mobility of a UE between 3GPP Wireless Local Area Network Interworking (I-WLAN) and 3GPP systems.

| SDO (2) | Document No. | Version | Status | Issued date | Location (1) |
|------------------|---------------------------|---------|----------|-------------|---|
| Release 8 | | | | | |
| ATIS | ATIS.3GPP.24.327V860-2012 | 8.6.0 | Approved | Jul 12 | https://www.atis.org/docstore/default.aspx |
| Release 9 | | | | | |
| ATIS | ATIS.3GPP.24.327V920-2014 | 9.2.0 | Approved | May 14 | https://www.atis.org/docstore/default.aspx |

5.4.2.11.55 TR 24.930

5.4.2.11.55 TR 24.930

Signalling flows for the session setup in the IP Multimedia core network Subsystem (IMS) based on Session Initiation Protocol (SIP) and

Session Description Protocol (SDP); Stage 3

This document specifies the signalling flows for session setup for the IP Multimedia subsystem based on the Session Initiation Protocol and the associated Session Description Protocol.

| SDO (2) | Document No. | Version | Status | Issued date | Location (1) |
|------------------|---------------------------|---------|----------|-------------|---|
| Release 7 | | | | | |
| ATIS | ATIS.3GPP.24.930V760-2014 | 7.6.0 | Approved | May 14 | https://www.atis.org/docstore/default.aspx |
| Release 8 | | | | | |
| ATIS | ATIS.3GPP.24.930V830-2014 | 8.3.0 | Approved | May 14 | https://www.atis.org/docstore/default.aspx |
| Release 9 | | | | | |
| ATIS | ATIS.3GPP.24.930V910-2014 | 9.1.0 | Approved | May 14 | https://www.atis.org/docstore/default.aspx |

5.4.2.11.56 TS 27.001**General on Terminal Adaptation Functions (TAF) for Mobile Stations (MS)**

This document provides a general description of Terminal Adaptation Functions based on the principles of terminal adaptor functions presented in the ITU-T I-series of Recommendations (I.460 to I.463).

| SDO (2) | Document No. | Version | Status | Issued date | Location (1) |
|------------------|---------------------------|---------|----------|-------------|---|
| Release 6 | | | | | |
| ATIS | ATIS.3GPP.27.001V630-2008 | 6.3.0 | Approved | Oct 08 | https://www.atis.org/docstore/default.aspx |
| Release 7 | | | | | |
| ATIS | ATIS.3GPP.27.001V700-2008 | 7.0.0 | Approved | Oct 08 | https://www.atis.org/docstore/default.aspx |
| Release 8 | | | | | |
| ATIS | ATIS.3GPP.27.001V810-2012 | 8.1.0 | Approved | Jul 12 | https://www.atis.org/docstore/default.aspx |
| Release 9 | | | | | |
| ATIS | ATIS.3GPP.27.001V910-2014 | 9.1.0 | Approved | May 14 | https://www.atis.org/docstore/default.aspx |

5.4.2.11.57 TS 27.002**Terminal Adaptation Functions (TAF) for services using Asynchronous bearer capabilities**

This document defines the interfaces and Terminal Adaptation Functions (TAF) integral to a Mobile Termination (MT) which enable the use of asynchronous bearer services in the PLMN and the attachment of asynchronous terminals to a MT.

| SDO (2) | Document No. | Version | Status | Issued date | Location (1) |
|------------------|---------------------------|---------|----------|-------------|---|
| Release 6 | | | | | |
| ATIS | ATIS.3GPP.27.002V600-2008 | 6.0.0 | Approved | Oct 08 | https://www.atis.org/docstore/default.aspx |
| Release 7 | | | | | |
| ATIS | ATIS.3GPP.27.002V700-2008 | 7.0.0 | Approved | Oct 08 | https://www.atis.org/docstore/default.aspx |
| Release 8 | | | | | |
| ATIS | ATIS.3GPP.27.002V810-2012 | 8.1.0 | Approved | Jul 12 | https://www.atis.org/docstore/default.aspx |

Release 9

| | | | | | |
|------|---------------------------|-------|----------|--------|---|
| ATIS | ATIS.3GPP.27.002V910-2014 | 9.1.0 | Approved | May 14 | https://www.atis.org/docstore/default.aspx |
|------|---------------------------|-------|----------|--------|---|

5.4.2.11.58 TS 27.003**Terminal Adaptation Functions (TAF) for services using Synchronous bearer capabilities**

This document defines the interfaces and Terminal Adaptation Functions (TAF) which are integrated in a Mobile Termination (MT) which enable the use of synchronous bearer services in the PLMN and the attachment of synchronous terminals to a MT.

| SDO (2) | Document No. | Version | Status | Issued date | Location (1) |
|------------------|---------------------------|---------|----------|-------------|---|
| Release 6 | | | | | |
| ATIS | ATIS.3GPP.27.003V600-2008 | 6.0.0 | Approved | Oct 08 | https://www.atis.org/docstore/default.aspx |
| Release 7 | | | | | |
| ATIS | ATIS.3GPP.27.003V700-2008 | 7.0.0 | Approved | Oct 08 | https://www.atis.org/docstore/default.aspx |
| Release 8 | | | | | |
| ATIS | ATIS.3GPP.27.003V800-2010 | 8.0.0 | Approved | Jul 10 | https://www.atis.org/docstore/default.aspx |
| Release 9 | | | | | |
| ATIS | ATIS.3GPP.27.003V900-2014 | 9.0.0 | Approved | May 14 | https://www.atis.org/docstore/default.aspx |

5.4.2.11.59 TS 29.007**General requirements on Interworking between the Public Land Mobile Network (PLMN) and the Integrated Services Digital Network (ISDN) or Public Switched Telephone Network (PSTN)**

This document identifies the Mobile_services Switching Centre/Interworking Functions (MSC/IWFs) and requirements to support interworking between the PLMN and the ISDN.

| SDO (2) | Document No. | Version | Status | Issued date | Location (1) |
|------------------|---------------------------|---------|----------|-------------|---|
| Release 6 | | | | | |
| ATIS | ATIS.3GPP.29.007V640-2008 | 6.4.0 | Approved | Oct 08 | https://www.atis.org/docstore/default.aspx |
| Release 7 | | | | | |
| ATIS | ATIS.3GPP.29.007V740-2008 | 7.4.0 | Approved | Oct 08 | https://www.atis.org/docstore/default.aspx |
| Release 8 | | | | | |
| ATIS | ATIS.3GPP.29.007V810-2010 | 8.1.0 | Approved | Jul 10 | https://www.atis.org/docstore/default.aspx |
| Release 9 | | | | | |
| ATIS | ATIS.3GPP.29.007V910-2014 | 9.1.0 | Approved | May 14 | https://www.atis.org/docstore/default.aspx |

5.4.2.11.60 TS 29.061**Interworking between the Public Land Mobile Network (PLMN) supporting packet based services and Packet Data Networks (PDN)**

This document defines the requirements for packet domain interworking between PLMNs or between PLMNs and PDNs.

| SDO (2) | Document No. | Version | Status | Issued date | Location (1) |
|------------------|----------------------------|---------|----------|-------------|---|
| Release 5 | | | | | |
| ATIS | ATIS.3GPP.29.061V591-2006 | 5.9.1 | Approved | Apr 06 | https://www.atis.org/docstore/default.aspx |
| Release 6 | | | | | |
| ATIS | ATIS.3GPP.29.061V6150-2009 | 6.15.0 | Approved | Jul 09 | https://www.atis.org/docstore/default.aspx |
| Release 7 | | | | | |
| ATIS | ATIS.3GPP.29.061V7120-2010 | 7.12.0 | Approved | Jul 10 | https://www.atis.org/docstore/default.aspx |
| Release 8 | | | | | |
| ATIS | ATIS.3GPP.29.061V8120-2014 | 8.12.0 | Approved | May 14 | https://www.atis.org/docstore/default.aspx |
| Release 9 | | | | | |
| ATIS | ATIS.3GPP.29.061V9120-2014 | 9.12.0 | Approved | May 14 | https://www.atis.org/docstore/default.aspx |

5.4.2.11.61 TS 29.162

Interworking between the IM CN Subsystem and IP networks

This document details the interworking between the IMS and external IP networks for IP Multimedia service support.

| SDO (2) | Document No. | Version | Status | Issued date | Location (1) |
|------------------|---------------------------|---------|----------|-------------|---|
| Release 6 | | | | | |
| ATIS | ATIS.3GPP.29.162V620-2006 | 6.2.0 | Approved | Apr 06 | https://www.atis.org/docstore/default.aspx |
| Release 7 | | | | | |
| ATIS | ATIS.3GPP.29.162V740-2012 | 7.4.0 | Approved | Jul 12 | https://www.atis.org/docstore/default.aspx |
| Release 8 | | | | | |
| ATIS | ATIS.3GPP.29.162V850-2012 | 8.5.0 | Approved | Jul 12 | https://www.atis.org/docstore/default.aspx |
| Release 9 | | | | | |
| ATIS | ATIS.3GPP.29.162V970-2014 | 9.7.0 | Approved | May 14 | https://www.atis.org/docstore/default.aspx |

5.4.2.11.62 TS 29.163

Interworking between the IP Multimedia (IM) Core Network (CN) subsystem and Circuit Switched (CS) networks

This document specifies the principles of interworking between the IMS and legacy CS networks in order to support IP Multimedia basic voice calls.

| SDO (2) | Document No. | Version | Status | Issued date | Location (1) |
|------------------|----------------------------|---------|----------|-------------|---|
| Release 6 | | | | | |
| ATIS | ATIS.3GPP.29.163V6121-2014 | 6.12.1 | Approved | May 14 | https://www.atis.org/docstore/default.aspx |
| Release 7 | | | | | |
| ATIS | ATIS.3GPP.29.163V7280-2014 | 7.28.0 | Approved | May 14 | https://www.atis.org/docstore/default.aspx |
| Release 8 | | | | | |
| ATIS | ATIS.3GPP.29.163V8240-2014 | 8.24.0 | Approved | May 14 | https://www.atis.org/docstore/default.aspx |

Release 9

ATIS ATIS.3GPP.29.163V9170-2014 9.17.0 Approved May 14 <https://www.atis.org/docstore/default.aspx>

5.4.2.11.63 TS 29.228**IP Multimedia (IM) Subsystem Cx and Dx Interfaces; Signalling flows and message contents**

This document addresses the signalling flows for the Cx and Dx interfaces.

| SDO (2) | Document No. | Version | Status | Issued date | Location (1) |
|------------------|----------------------------|---------|----------|-------------|---|
| Release 5 | | | | | |
| ATIS | ATIS.3GPP.29.228V5220-2012 | 5.22.0 | Approved | Jul 12 | https://www.atis.org/docstore/default.aspx |
| Release 6 | | | | | |
| ATIS | ATIS.3GPP.29.228V6170-2012 | 6.17.0 | Approved | Jul 12 | https://www.atis.org/docstore/default.aspx |
| Release 7 | | | | | |
| ATIS | ATIS.3GPP.29.228V7180-2014 | 7.18.0 | Approved | May 14 | https://www.atis.org/docstore/default.aspx |
| Release 8 | | | | | |
| ATIS | ATIS.3GPP.29.228V8190-2014 | 8.19.0 | Approved | May 14 | https://www.atis.org/docstore/default.aspx |
| Release 9 | | | | | |
| ATIS | ATIS.3GPP.29.228V9120-2014 | 9.12.0 | Approved | May 14 | https://www.atis.org/docstore/default.aspx |

5.4.2.11.64 TS 29.229**Cx and Dx Interfaces based on the Diameter protocol; Protocol details**

This document provides the protocol details for the Cx and Dx interfaces using the Diameter protocol.

| SDO (2) | Document No. | Version | Status | Issued date | Location (1) |
|------------------|----------------------------|---------|----------|-------------|---|
| Release 5 | | | | | |
| ATIS | ATIS.3GPP.29.229V5130-2007 | 5.13.0 | Approved | Oct 07 | https://www.atis.org/docstore/default.aspx |
| Release 6 | | | | | |
| ATIS | ATIS.3GPP.29.229V6110-2010 | 6.11.0 | Approved | Jul 10 | https://www.atis.org/docstore/default.aspx |
| Release 7 | | | | | |
| ATIS | ATIS.3GPP.29.229V7120-2014 | 7.12.0 | Approved | May 14 | https://www.atis.org/docstore/default.aspx |
| Release 8 | | | | | |
| ATIS | ATIS.3GPP.29.229V8150-2014 | 8.15.0 | Approved | May 14 | https://www.atis.org/docstore/default.aspx |
| Release 9 | | | | | |
| ATIS | ATIS.3GPP.29.229V970-2014 | 9.7.0 | Approved | May 14 | https://www.atis.org/docstore/default.aspx |

5.4.2.11.65 TS 29.230**Diameter applications; 3GPP specific codes and identifiers**

This document lists the 3GPP specific Diameter protocol codes, including the AVP codes and Experimental result codes. This document lists also the application identifiers assigned to 3GPP specific Diameter applications by IANA and the Diameter command code range which is assigned to 3GPP by IANA.

| SDO (2) | Document No. | Version | Status | Issued date | Location (1) |
|------------------|----------------------------|---------|----------|-------------|---|
| Release 6 | | | | | |
| ATIS | ATIS.3GPP.29.230V6110-2012 | 6.11.0 | Approved | Jul 12 | https://www.atis.org/docstore/default.aspx |
| Release 7 | | | | | |
| ATIS | ATIS.3GPP.29.230V7160-2012 | 7.16.0 | Approved | Jul 12 | https://www.atis.org/docstore/default.aspx |
| Release 8 | | | | | |
| ATIS | ATIS.3GPP.29.230V8170-2014 | 8.17.0 | Approved | May 14 | https://www.atis.org/docstore/default.aspx |
| Release 9 | | | | | |
| ATIS | ATIS.3GPP.29.230V9150-2014 | 9.15.0 | Approved | May 14 | https://www.atis.org/docstore/default.aspx |

5.4.2.11.66 TS 29.232**Media Gateway Controller (MGC) û Media Gateway (MGW) interface; Stage 3**

This document specifies the protocol to be used on the Media Gateway Controller (MGC) û Media Gateway (MGW) interface. The Media Gateway Controllers covered in this specification are the MSC server and the GMSC server. The basis for this interface profile is the H.248.1 protocol as specified in ITU-T. The usage of this protocol is described in 3GPP TS 23.205 and 3GPP TS 29.205 for BICC circuit switched core network, in 3GPP TS 23.231 and 3GPP TS 29.231 for SIP-I circuit switched core network. This specification describes the changes to H.248 which are needed to handle 3GPP specific traffic cases. This is done by using the H.248 standard extension mechanism. In addition certain aspects of the base protocol H.248 are not needed for this interface and thus excluded by this profile.

| SDO (2) | Document No. | Version | Status | Issued date | Location (1) |
|------------------|---------------------------|---------|----------|-------------|---|
| Release 9 | | | | | |
| ATIS | ATIS.3GPP.29.232V920-2014 | 9.2.0 | Approved | May 14 | https://www.atis.org/docstore/default.aspx |

5.4.2.11.67 TS 29.238**Interconnection Border Control Functions (IBCF) û Transition Gateway (TrGW) interface; Ix interface; Stage 3**

The document describes the protocol to be used on the Interconnection Border Control Function (IBCF) û Transition Gateway (TrGW) interface and the CS-IBCF û CS-TrGW interface. The basis for this protocol is the H.248 protocol as specified in ITU-T. The Profile provides MG control function for IMS and CS Border Control. The IMS architecture is described in 3GPP TS 23.228. The underlying reference model and stage 2

information is described in Annex A of 3GPP TS 23.228 and in 3GPP TS 29.162. The CS architecture is described in Annex A of 3GPP TS 29.235.

| SDO (2) | Document No. | Version | Status | Issued date | Location (1) |
|------------------|---------------------------|---------|----------|-------------|---|
| Release 9 | | | | | |
| ATIS | ATIS.3GPP.29.238V930-2014 | 9.3.0 | Approved | May 14 | https://www.atis.org/docstore/default.aspx |

5.4.2.11.68 TS 29.278

Customized Applications for Mobile Network Enhanced Logic (CAMEL) Phase 4; CAMEL Application Part (CAP) specification for IP Multimedia subsystem (IMS)

This document specifies the CAMEL Application Part (CAP) for support of the IP Multimedia Subsystem.

| SDO (2) | Document No. | Version | Status | Issued date | Location (1) |
|------------------|---------------------------|---------|----------|-------------|---|
| Release 6 | | | | | |
| ATIS | ATIS.3GPP.29.278V610-2006 | 6.1.0 | Approved | Apr 06 | https://www.atis.org/docstore/default.aspx |
| Release 7 | | | | | |
| ATIS | ATIS.3GPP.29.278V700-2008 | 7.0.0 | Approved | Oct 08 | https://www.atis.org/docstore/default.aspx |
| Release 8 | | | | | |
| ATIS | ATIS.3GPP.29.278V800-2010 | 8.0.0 | Approved | Jul 10 | https://www.atis.org/docstore/default.aspx |
| Release 9 | | | | | |
| ATIS | ATIS.3GPP.29.278V900-2014 | 9.0.0 | Approved | May 14 | https://www.atis.org/docstore/default.aspx |

5.4.2.11.69 TS 29.328

IP Multimedia (IM) subsystem Sh interface; Signalling flows and message contents

This document specifies the Sh and the Dh interface.

| SDO (2) | Document No. | Version | Status | Issued date | Location (1) |
|------------------|----------------------------|---------|----------|-------------|---|
| Release 5 | | | | | |
| ATIS | ATIS.3GPP.29.328V5160-2010 | 5.16.0 | Approved | Jul 10 | https://www.atis.org/docstore/default.aspx |
| Release 6 | | | | | |
| ATIS | ATIS.3GPP.29.328V6150-2010 | 6.15.0 | Approved | Jul 10 | https://www.atis.org/docstore/default.aspx |
| Release 7 | | | | | |
| ATIS | ATIS.3GPP.29.328V7130-2012 | 7.13.0 | Approved | Jul 12 | https://www.atis.org/docstore/default.aspx |
| Release 8 | | | | | |
| ATIS | ATIS.3GPP.29.328V8150-2014 | 8.15.0 | Approved | May 14 | https://www.atis.org/docstore/default.aspx |
| Release 9 | | | | | |
| ATIS | ATIS.3GPP.29.328V9130-2014 | 9.13.0 | Approved | May 14 | https://www.atis.org/docstore/default.aspx |

5.4.2.11.70 TS 29.329

Sh interface based on the Diameter protocol; Protocol details

This document specifies a transport protocol for use by the IP Multimedia Subsystem based on Diameter for the Sh interface.

| SDO (2) | Document No. | Version | Status | Issued date | Location (1) |
|------------------|----------------------------|---------|----------|-------------|---|
| Release 5 | | | | | |
| ATIS | ATIS.3GPP.29.329V5110-2006 | 5.11.0 | Approved | Apr 06 | https://www.atis.org/docstore/default.aspx |
| Release 6 | | | | | |
| ATIS | ATIS.3GPP.29.329V670-2007 | 6.7.0 | Approved | Oct 07 | https://www.atis.org/docstore/default.aspx |
| Release 7 | | | | | |
| ATIS | ATIS.3GPP.29.329V780-2009 | 7.8.0 | Approved | Jul 09 | https://www.atis.org/docstore/default.aspx |
| Release 8 | | | | | |
| ATIS | ATIS.3GPP.29.329V890-2014 | 8.9.0 | Approved | May 14 | https://www.atis.org/docstore/default.aspx |
| Release 9 | | | | | |
| ATIS | ATIS.3GPP.29.329V950-2014 | 9.5.0 | Approved | May 14 | https://www.atis.org/docstore/default.aspx |

5.4.2.11.71 TS 29.332**Media Gateway Control Function (MGCF) û IM Media Gateway; Mn interface**

This document specifies the protocol to be used on the Media Gateway Control Function (MGCF) û IM Media Gateway (IM-MGW) interface. This interface provides the Media Gateway Control for interworking between the IP Multimedia Subsystem (IMS) and CS domain (ISUP, BICC and SIP_I). The basis for this protocol is the H.248 protocol as specified in ITU-T. The IMS architecture is described in 23.228. The interaction of the MGCF-IM MGW interface signalling procedures in relation to the SIP, and BICC/ISUP signalling at the MGCF are described in 3GPP TS 29.163.

| SDO (2) | Document No. | Version | Status | Issued date | Location (1) |
|------------------|---------------------------|---------|----------|-------------|---|
| Release 9 | | | | | |
| ATIS | ATIS.3GPP.29.332V950-2014 | 9.5.0 | Approved | May 14 | https://www.atis.org/docstore/default.aspx |

5.4.2.11.72 TS 29.333**Multimedia Resource Function Controller (MRFC) û Multimedia Resource Function Processor (MRFP); Mp interface; Stage 3**

This document specifies the protocol to be used on the Multimedia Resource Function Controller (MRFC) û Multimedia Resource Function Processor (MRFP) interface (Mp interface).. This specification defines a profile of the Gateway Control Protocol (H.248.1), for controlling Multimedia Resource Function Processor supporting in-band user interaction, conferencing and transcoding for multimedia-services. The IMS architecture is described in 3GPP TS 23.228, the functional requirements are described in 3G TS 23.333.

| SDO (2) | Document No. | Version | Status | Issued date | Location (1) |
|------------------|---------------------------|---------|----------|-------------|---|
| Release 9 | | | | | |
| ATIS | ATIS.3GPP.29.333V930-2014 | 9.3.0 | Approved | May 14 | https://www.atis.org/docstore/default.aspx |

5.4.2.11.73 TS 29.334**IMS Application Level Gateway (IMS-ALG) û IMS Access Gateway (IMS-AGW); Iq interface; Stage 3**

This document specifies the protocol to be used on the IMS Application Level Gateway (ALG) û IMS Access Gateway (IMS-AGW) interface. The basis for this protocol is the H.248 protocol as specified in ITU-T. The IMS architecture is described in 3GPP TS 23.228. The underlying reference model and stage 2 information is described in Annex G of 3GPP TS 23.228 and in 3GPP TS 23.334.

| SDO (2) | Document No. | Version | Status | Issued date | Location (1) |
|------------------|---------------------------|---------|----------|-------------|---|
| Release 9 | | | | | |
| ATIS | ATIS.3GPP.29.334V930-2014 | 9.3.0 | Approved | May 14 | https://www.atis.org/docstore/default.aspx |

5.4.2.11.74 TS 29.335**User Data Convergence (UDC); User data repository access protocol over the Ud interface; Stage 3**

This document specifies the stage 3 of the Ud interface between the Front-Ends (FEs) and the User Data Repository (UDR) in the User Data Convergence (UDC architecture). The User Data Convergence Stage 2 description (architecture and information flows) is specified in 3GPP TS 23.335.

| SDO (2) | Document No. | Version | Status | Issued date | Location (1) |
|------------------|---------------------------|---------|----------|-------------|---|
| Release 9 | | | | | |
| ATIS | ATIS.3GPP.29.335V941-2014 | 9.4.1 | Approved | May 14 | https://www.atis.org/docstore/default.aspx |

5.4.2.11.75 TS 29.364**IP Multimedia Subsystem (IMS) Application Server (AS) service data descriptions for AS interoperability**

This specification standardizes the structure and the coding of the service data that are transported over the Sh interface between an Application Server supporting Multimedia Telephony supplementary services as defined in 3GPP TS 22.173 and the HSS. Two optional formats are specified. One is based on a binary coding of the service data and supports the subset of MMTEL services corresponding to PSTN/ISDN and CS supplementary services. The other uses an XML format and supports the full set of MMTEL Services.

| SDO (2) | Document No. | Version | Status | Issued date | Location (1) |
|------------------|---------------------------|---------|----------|-------------|---|
| Release 8 | | | | | |
| ATIS | ATIS.3GPP.29.364V860-2014 | 8.6.0 | Approved | May 14 | https://www.atis.org/docstore/default.aspx |
| Release 9 | | | | | |
| ATIS | ATIS.3GPP.29.364V931-2014 | 9.3.1 | Approved | May 14 | https://www.atis.org/docstore/default.aspx |

5.4.2.11.76 TS 43.129**Packet-switched handover for GERAN A/Gb mode; Stage 2**

This document provides the stage 2 description for packet domain handover for the GERAN operating in A/Gb mode.

| SDO (2) | Document No. | Version | Status | Issued date | Location (1) |
|------------------|---|---------|-----------|-------------|---|
| Release 6 | | | | | |
| ATIS | ATIS.3GPP.43.129V6130-2010 | 6.13.0 | Approved | Jul 10 | https://www.atis.org/docstore/default.aspx |
| TIA | Incl. in TIA/EIA-136-370 as ETSI TS 143 129 v6.12.0 | B-1(E) | Approved | Jan 08 | http://www.tiaonline.org/standards/strategic-initiatives/code-division-multiple-access |
| Release 7 | | | | | |
| ATIS | ATIS.3GPP.43.129V730-2010 | 7.3.0 | Approved | Jul 10 | https://www.atis.org/docstore/default.aspx |
| TIA | Incl. in TIA/EIA-136-370 as ETSI TS 143 129 v7.2.0 | C | Approved | Oct 08 | http://www.tiaonline.org/standards/strategic-initiatives/code-division-multiple-access |
| Release 8 | | | | | |
| ATIS | ATIS.3GPP.43.129V840-2014 | 8.4.0 | Approved | May 14 | https://www.atis.org/docstore/default.aspx |
| TIA | Incl. in TIA/EIA-136-370 as ETSI TS 143 129 v8.2.0 | D-1(E) | Published | Aug 12 | http://www.tiaonline.org/standards/strategic-initiatives/code-division-multiple-access |
| Release 9 | | | | | |
| ATIS | ATIS.3GPP.43.129V930-2014 | 9.3.0 | Approved | May 14 | https://www.atis.org/docstore/default.aspx |
| TIA | Incl. in TIA/EIA-136-370 as ETSI TS 143 129 v9.3.0 | E | Approved | Aug 14 | http://www.tiaonline.org/standards/strategic-initiatives/code-division-multiple-access |

5.4.2.11.77 TS 43.318

Generic Access Network (GAN); Stage 2

This document describes the overall architecture for a Generic Access Network (GAN). It describes the system concepts, documents the reference architecture, functional entities, network interfaces, and high-level procedures of GAN.

| SDO (2) | Document No. | Version | Status | Issued date | Location (1) |
|------------------|----------------------------|---------|----------|-------------|---|
| Release 6 | | | | | |
| ATIS | ATIS.3GPP.43.318V6120-2008 | 6.12.0 | Approved | Oct 08 | https://www.atis.org/docstore/default.aspx |
| Release 7 | | | | | |
| ATIS | ATIS.3GPP.43.318V750-2008 | 7.5.0 | Approved | Oct 08 | https://www.atis.org/docstore/default.aspx |
| Release 8 | | | | | |
| ATIS | ATIS.3GPP.43.318V840-2010 | 8.4.0 | Approved | Jul 10 | https://www.atis.org/docstore/default.aspx |
| Release 9 | | | | | |
| ATIS | ATIS.3GPP.43.318V900-2014 | 9.0.0 | Approved | May 14 | https://www.atis.org/docstore/default.aspx |

5.4.2.11.78 TS 43.902

Enhanced Generic Access Networks (EGAN) study

The present document contains the results of the feasibility study into the enhancements to Generic Access Networks or GAN. Considerations include overall requirements for enhancements, architectural requirements, evaluation of potential architectural solutions and alternative

architectures.

| SDO (2) | Document No. | Version | Status | Issued date | Location (1) |
|------------------|---------------------------|---------|----------|-------------|---|
| Release 8 | | | | | |
| ATIS | ATIS.3GPP.43.902V800-2010 | 8.0.0 | Approved | Jul 10 | https://www.atis.org/docstore/default.aspx |
| Release 9 | | | | | |
| ATIS | ATIS.3GPP.43.902V900-2014 | 9.0.0 | Approved | May 14 | https://www.atis.org/docstore/default.aspx |

5.4.2.11.79 TS 43.903

A-Interface over IP study (AINTIP)

The present document contains the result from the study of introduction of support for A-interface over IP. High level areas that are studied are e.g. potential placement of transcoders in the core network, effective bandwidth utilisation at the A-interface, impact on call related messages, payload formats.

| SDO (2) | Document No. | Version | Status | Issued date | Location (1) |
|------------------|---------------------------|---------|----------|-------------|---|
| Release 8 | | | | | |
| ATIS | ATIS.3GPP.43.903V830-2010 | 8.3.0 | Approved | Jul 10 | https://www.atis.org/docstore/default.aspx |
| Release 9 | | | | | |
| ATIS | ATIS.3GPP.43.903V900-2014 | 9.0.0 | Approved | May 14 | https://www.atis.org/docstore/default.aspx |

5.4.2.11.80 TS 44.318

Generic access Network (GAN); Mobile GAN interface layer 3 specification

This document describes the procedures used over a generic access interface, namely the Up interface. It specifies the handling of secure connection, Discovery and Registration, CS domain and PS domain signalling and voice and data. These procedures are defined in terms of messages exchanged over a generic access interface.

| SDO (2) | Document No. | Version | Status | Issued date | Location (1) |
|------------------|----------------------------|---------|----------|-------------|---|
| Release 6 | | | | | |
| ATIS | ATIS.3GPP.44.318V6140-2010 | 6.14.0 | Approved | Jul 10 | https://www.atis.org/docstore/default.aspx |
| Release 7 | | | | | |
| ATIS | ATIS.3GPP.44.318V790-2010 | 7.9.0 | Approved | Jul 10 | https://www.atis.org/docstore/default.aspx |
| Release 8 | | | | | |
| ATIS | ATIS.3GPP.44.318V870-2010 | 8.7.0 | Approved | Jul 10 | https://www.atis.org/docstore/default.aspx |
| Release 9 | | | | | |
| ATIS | ATIS.3GPP.44.318V920-2014 | 9.2.0 | Approved | May 14 | https://www.atis.org/docstore/default.aspx |

5.4.2.11.81 TR 44.901

External Network Assisted Cell Change (NACC)

This document provides background information, motivations, concepts and requirements regarding an extended Network Assisted Cell Change (NACC) feature for external cell change.

| SDO (2) | Document No. | Version | Status | Issued date | Location (1) |
|------------------|---------------------------|---------|----------|-------------|---|
| Release 5 | | | | | |
| ATIS | ATIS.3GPP.44.901V510-2006 | 5.1.0 | Approved | Apr 06 | https://www.atis.org/docstore/default.aspx |
| Release 6 | | | | | |
| ATIS | ATIS.3GPP.44.901V600-2006 | 6.0.0 | Approved | Apr 06 | https://www.atis.org/docstore/default.aspx |
| Release 7 | | | | | |
| ATIS | ATIS.3GPP.44.901V700-2008 | 7.0.0 | Approved | Oct 08 | https://www.atis.org/docstore/default.aspx |
| Release 8 | | | | | |
| ATIS | ATIS.3GPP.44.901V800-2010 | 8.0.0 | Approved | Jul 10 | https://www.atis.org/docstore/default.aspx |
| Release 9 | | | | | |
| ATIS | ATIS.3GPP.44.901V900-2014 | 9.0.0 | Approved | May 14 | https://www.atis.org/docstore/default.aspx |

5.4.2.12 Intra-RAN**5.4.2.12.1 TS 29.010**

Information Element Mapping between Mobile Station û Base Station System (MS-BSS) and Base Station System û Mobile-services Switching Centre (BSS-MSC); Signalling procedures and the mobile application part (MAP)

This document describes the mapping between information elements used for signalling between MS and BSS and signalling between BSS and MSC and the MAP.

| SDO (2) | Document No. | Version | Status | Issued date | Location (1) |
|-------------------|----------------------------|---------|----------|-------------|---|
| Release 99 | | | | | |
| ATIS | ATIS.3GPP.29.010V3120-2005 | 3.12.0 | Approved | Apr 05 | https://www.atis.org/docstore/default.aspx |
| Release 5 | | | | | |
| ATIS | ATIS.3GPP.29.010V570-2005 | 5.7.0 | Approved | Apr 05 | https://www.atis.org/docstore/default.aspx |
| Release 6 | | | | | |
| ATIS | ATIS.3GPP.29.010V690-2007 | 6.9.0 | Approved | Oct 07 | https://www.atis.org/docstore/default.aspx |
| Release 7 | | | | | |
| ATIS | ATIS.3GPP.29.010V710-2008 | 7.1.0 | Approved | Oct 08 | https://www.atis.org/docstore/default.aspx |
| Release 8 | | | | | |
| ATIS | ATIS.3GPP.29.010V820-2012 | 8.2.0 | Approved | Jul 12 | https://www.atis.org/docstore/default.aspx |
| Release 9 | | | | | |

ATIS ATIS.3GPP.29.010V941-2014 9.4.1 Approved May 14 <https://www.atis.org/docstore/default.aspx>

5.4.2.12.2 TS 29.078

Customized Applications for Mobile network Enhanced Logic (CAMEL) Phase X; CAMEL application part (CAP) specification

This document contains the CAMEL application part (CAP) specification.

| SDO (2) | Document No. | Version | Status | Issued date | Location (1) |
|-------------------|----------------------------|---------|----------|-------------|---|
| Release 99 | | | | | |
| ATIS | ATIS.3GPP.29.078V3160-2010 | 3.16.0 | Approved | Jul 10 | https://www.atis.org/docstore/default.aspx |
| Release 5 | | | | | |
| ATIS | ATIS.3GPP.29.078V5100-2010 | 5.10.0 | Approved | Jul 10 | https://www.atis.org/docstore/default.aspx |
| Release 6 | | | | | |
| ATIS | ATIS.3GPP.29.078V660-2010 | 6.6.0 | Approved | Jul 10 | https://www.atis.org/docstore/default.aspx |
| Release 7 | | | | | |
| ATIS | ATIS.3GPP.29.078V760-2012 | 7.6.0 | Approved | Jul 12 | https://www.atis.org/docstore/default.aspx |
| Release 8 | | | | | |
| ATIS | ATIS.3GPP.29.078V830-2012 | 8.3.0 | Approved | Jul 12 | https://www.atis.org/docstore/default.aspx |
| Release 9 | | | | | |
| ATIS | ATIS.3GPP.29.078V920-2014 | 9.2.0 | Approved | May 14 | https://www.atis.org/docstore/default.aspx |

5.4.2.12.3 TS 48.001

Base Station System û Mobile-services Switching Centre (BSS-MSC) interface; General aspects

This document describes the general aspects of the BSS-MSC interface for the alternate circuit switched component.

| SDO (2) | Document No. | Version | Status | Issued date | Location (1) |
|-------------------|---------------------------|---------|----------|-------------|---|
| Release 99 | | | | | |
| ATIS | T1.3GPP.08.01V801-2003 | 8.0.1 | Approved | Dec 03 | https://www.atis.org/docstore/default.aspx |
| Release 5 | | | | | |
| ATIS | ATIS.3GPP.48.001V501-2005 | 5.0.1 | Approved | Apr 05 | https://www.atis.org/docstore/default.aspx |
| Release 6 | | | | | |
| ATIS | ATIS.3GPP.48.001V600-2006 | 6.0.0 | Approved | Apr 06 | https://www.atis.org/docstore/default.aspx |
| Release 7 | | | | | |
| ATIS | ATIS.3GPP.48.001V700-2008 | 7.0.0 | Approved | Oct 08 | https://www.atis.org/docstore/default.aspx |
| Release 8 | | | | | |
| ATIS | ATIS.3GPP.48.001V800-2010 | 8.0.0 | Approved | Jul 10 | https://www.atis.org/docstore/default.aspx |
| Release 9 | | | | | |
| ATIS | ATIS.3GPP.48.001V900-2014 | 9.0.0 | Approved | May 14 | https://www.atis.org/docstore/default.aspx |

5.4.2.12.4 TS 48.002

Base Station System - Mobile Services Switching Centre (BSS-MSC) Interface; Interface principles

This document describes the general principles of the BSS-MSC interface for the alternate circuit switched component.

| SDO (2) | Document No. | Version | Status | Issued date | Location (1) |
|-------------------|---------------------------|---------|----------|-------------|---|
| Release 99 | | | | | |
| ATIS | T1.3GPP.08.02V801-2003 | 8.0.1 | Approved | Dec 03 | https://www.atis.org/docstore/default.aspx |
| Release 5 | | | | | |
| ATIS | T1.3GPP.48.002V510-2003 | 5.1.0 | Approved | Dec 03 | https://www.atis.org/docstore/default.aspx |
| Release 6 | | | | | |
| ATIS | ATIS.3GPP.48.002V600-2006 | 6.0.0 | Approved | Apr 06 | https://www.atis.org/docstore/default.aspx |
| Release 7 | | | | | |
| ATIS | ATIS.3GPP.48.002V700-2008 | 7.0.0 | Approved | Oct 08 | https://www.atis.org/docstore/default.aspx |
| Release 8 | | | | | |
| ATIS | ATIS.3GPP.48.002V800-2010 | 8.0.0 | Approved | Jul 10 | https://www.atis.org/docstore/default.aspx |
| Release 9 | | | | | |
| ATIS | ATIS.3GPP.48.002V900-2014 | 9.0.0 | Approved | May 14 | https://www.atis.org/docstore/default.aspx |

5.4.2.12.5 TS 48.004**Base Station System - Mobile Services Switching Centre (BSS-MSC) Interface; Layer 1 specification**

This document contains the BSS-MSC interface layer 1 specifications for the alternate circuit switched component.

| SDO (2) | Document No. | Version | Status | Issued date | Location (1) |
|-------------------|---------------------------|---------|----------|-------------|---|
| Release 99 | | | | | |
| ATIS | T1.3GPP.08.04V801-2003 | 8.0.1 | Approved | Dec 03 | https://www.atis.org/docstore/default.aspx |
| Release 5 | | | | | |
| ATIS | ATIS.3GPP.48.004V501-2005 | 5.0.1 | Approved | Apr 05 | https://www.atis.org/docstore/default.aspx |
| Release 6 | | | | | |
| ATIS | ATIS.3GPP.48.004V600-2006 | 6.0.0 | Approved | Apr 06 | https://www.atis.org/docstore/default.aspx |
| Release 7 | | | | | |
| ATIS | ATIS.3GPP.48.004V700-2008 | 7.0.0 | Approved | Oct 08 | https://www.atis.org/docstore/default.aspx |
| Release 8 | | | | | |
| ATIS | ATIS.3GPP.48.004V800-2010 | 8.0.0 | Approved | Jul 10 | https://www.atis.org/docstore/default.aspx |
| Release 9 | | | | | |
| ATIS | ATIS.3GPP.48.004V900-2014 | 9.0.0 | Approved | May 14 | https://www.atis.org/docstore/default.aspx |

5.4.2.12.6 TS 48.006

Signalling Transport mechanism specification for the Base Station System û Mobile-services Switching Centre (BSS-MSC) This document contains the BSS-MSC interface signalling transport specifications for the alternate circuit switched component.

| SDO (2) | Document No. | Version | Status | Issued date | Location (1) |
|---------|--------------|---------|--------|-------------|--------------|
|---------|--------------|---------|--------|-------------|--------------|

1244

ITU-R M.1457-12

Release 99

| | | | | | |
|------|------------------------|-------|----------|--------|---|
| ATIS | T1.3GPP.08.06V801-2003 | 8.0.1 | Approved | Dec 03 | https://www.atis.org/docstore/default.aspx |
|------|------------------------|-------|----------|--------|---|

Release 5

| | | | | | |
|------|---------------------------|-------|----------|--------|---|
| ATIS | ATIS.3GPP.48.006V501-2005 | 5.0.1 | Approved | Apr 05 | https://www.atis.org/docstore/default.aspx |
|------|---------------------------|-------|----------|--------|---|

Release 6

| | | | | | |
|------|---------------------------|-------|----------|--------|---|
| ATIS | ATIS.3GPP.48.006V600-2006 | 6.0.0 | Approved | Apr 06 | https://www.atis.org/docstore/default.aspx |
|------|---------------------------|-------|----------|--------|---|

Release 7

| | | | | | |
|------|---------------------------|-------|----------|--------|---|
| ATIS | ATIS.3GPP.48.006V720-2008 | 7.2.0 | Approved | Oct 08 | https://www.atis.org/docstore/default.aspx |
|------|---------------------------|-------|----------|--------|---|

Release 8

| | | | | | |
|------|---------------------------|-------|----------|--------|---|
| ATIS | ATIS.3GPP.48.006V800-2010 | 8.0.0 | Approved | Jul 10 | https://www.atis.org/docstore/default.aspx |
|------|---------------------------|-------|----------|--------|---|

Release 9

| | | | | | |
|------|---------------------------|-------|----------|--------|---|
| ATIS | ATIS.3GPP.48.006V900-2014 | 9.0.0 | Approved | May 14 | https://www.atis.org/docstore/default.aspx |
|------|---------------------------|-------|----------|--------|---|

5.4.2.12.7 TS 48.008

Mobile Switching Centre - Base Station System (MSC-BSS) Interface; Layer 3 specification

This document contains the BSS-MSC interface layer 3 specifications for the alternate circuit switched component.

| SDO (2) | Document No. | Version | Status | Issued date | Location (1) |
|-------------------|----------------------------|---------|----------|-------------|---|
| Release 99 | | | | | |
| ATIS | ATIS.3GPP.08.08V8150-2005 | 8.15.0 | Approved | Apr 05 | https://www.atis.org/docstore/default.aspx |
| Release 5 | | | | | |
| ATIS | ATIS.3GPP.48.008V5120-2005 | 5.12.0 | Approved | Apr 05 | https://www.atis.org/docstore/default.aspx |
| Release 6 | | | | | |
| ATIS | ATIS.3GPP.48.008V6110-2006 | 6.11.0 | Approved | Apr 06 | https://www.atis.org/docstore/default.aspx |
| Release 7 | | | | | |
| ATIS | ATIS.3GPP.48.008V7141-2012 | 7.14.1 | Approved | Jul 12 | https://www.atis.org/docstore/default.aspx |
| Release 8 | | | | | |
| ATIS | ATIS.3GPP.48.008V8100-2014 | 8.14.0 | Approved | May 14 | https://www.atis.org/docstore/default.aspx |
| Release 9 | | | | | |
| ATIS | ATIS.3GPP.48.008V980-2014 | 9.8.0 | Approved | May 14 | https://www.atis.org/docstore/default.aspx |

5.4.2.12.8 TS 48.020

Rate Adaption on the Base Station System û Mobile-services Switching Centre (BSS-MSC) Interface

This document specifies the rate adaption function on the BSS-MSC interface for the alternate circuit switched component.

| SDO (2) | Document No. | Version | Status | Issued date | Location (1) |
|-------------------|------------------------|---------|----------|-------------|---|
| Release 99 | | | | | |
| ATIS | T1.3GPP.08.20V840-2003 | 8.4.0 | Approved | Dec 03 | https://www.atis.org/docstore/default.aspx |
| Release 5 | | | | | |

| | | | | | |
|------------------|---------------------------|-------|----------|--------|---|
| ATIS | ATIS.3GPP.48.020V520-2005 | 5.2.0 | Approved | Apr 05 | https://www.atis.org/docstore/default.aspx |
| Release 6 | | | | | |
| ATIS | ATIS.3GPP.48.020V600-2006 | 6.0.0 | Approved | Apr 06 | https://www.atis.org/docstore/default.aspx |
| Release 7 | | | | | |
| ATIS | ATIS.3GPP.48.020V700-2008 | 7.0.0 | Approved | Oct 08 | https://www.atis.org/docstore/default.aspx |
| Release 8 | | | | | |
| ATIS | ATIS.3GPP.48.020V800-2010 | 8.0.0 | Approved | Jul 10 | https://www.atis.org/docstore/default.aspx |
| Release 9 | | | | | |
| ATIS | ATIS.3GPP.48.020V900-2014 | 9.0.0 | Approved | May 14 | https://www.atis.org/docstore/default.aspx |

5.4.2.12.9 TS 48.031

Location Services (LCS); Serving Mobile Location Centre û Serving Mobile Location Centre (SMLC û SMLC); SMLCPP

This document contains the SMLC-SMLC protocol specification for location services.

| SDO (2) | Document No. | Version | Status | Issued date | Location (1) |
|-------------------|---------------------------|---------|----------|-------------|---|
| Release 99 | | | | | |
| ATIS | T1.3GPP.08.31V811-2003 | 8.1.1 | Approved | Dec 03 | https://www.atis.org/docstore/default.aspx |
| Release 5 | | | | | |
| ATIS | T1.3GPP.48.031V500-2003 | 5.0.0 | Approved | Dec 03 | https://www.atis.org/docstore/default.aspx |
| Release 6 | | | | | |
| ATIS | ATIS.3GPP.48.031V600-2006 | 6.0.0 | Approved | Apr 06 | https://www.atis.org/docstore/default.aspx |
| Release 7 | | | | | |
| ATIS | ATIS.3GPP.48.031V710-2008 | 7.1.0 | Approved | Oct 08 | https://www.atis.org/docstore/default.aspx |
| Release 8 | | | | | |
| ATIS | ATIS.3GPP.48.031V800-2010 | 8.0.0 | Approved | Jul 10 | https://www.atis.org/docstore/default.aspx |
| Release 9 | | | | | |
| ATIS | ATIS.3GPP.48.031V900-2014 | 9.0.0 | Approved | May 14 | https://www.atis.org/docstore/default.aspx |

5.4.2.12.10 TS 48.051

Base Station Controller - Base Transceiver Station (BSC-BTS) Interface; General aspects

This document describes the general aspects of the BSC-BTS interface.

| SDO (2) | Document No. | Version | Status | Issued date | Location (1) |
|-------------------|---------------------------|---------|----------|-------------|---|
| Release 99 | | | | | |
| ATIS | T1.3GPP.08.51V801-2003 | 8.0.1 | Approved | Dec 03 | https://www.atis.org/docstore/default.aspx |
| Release 5 | | | | | |
| ATIS | ATIS.3GPP.48.051V501-2005 | 5.0.1 | Approved | Apr 05 | https://www.atis.org/docstore/default.aspx |
| Release 6 | | | | | |
| ATIS | ATIS.3GPP.48.051V600-2006 | 6.0.0 | Approved | Apr 06 | https://www.atis.org/docstore/default.aspx |
| Release 7 | | | | | |

| | | | | | |
|------------------|---------------------------|-------|----------|--------|---|
| ATIS | ATIS.3GPP.48.051V700-2008 | 7.0.0 | Approved | Oct 08 | https://www.atis.org/docstore/default.aspx |
| Release 8 | | | | | |
| ATIS | ATIS.3GPP.48.051V800-2010 | 8.0.0 | Approved | Jul 10 | https://www.atis.org/docstore/default.aspx |
| Release 9 | | | | | |
| ATIS | ATIS.3GPP.48.051V900-2014 | 9.0.0 | Approved | May 14 | https://www.atis.org/docstore/default.aspx |

5.4.2.12.11 TS 48.052

Base Station Controller - Base Transceiver Station (BSC-BTS) Interface; Interface principles

This document describes the interface principles for the BSC-BTS interface.

| SDO (2) | Document No. | Version | Status | Issued date | Location (1) |
|-------------------|---------------------------|---------|----------|-------------|---|
| Release 99 | | | | | |
| ATIS | T1.3GPP.08.52V801-2003 | 8.0.1 | Approved | Dec 03 | https://www.atis.org/docstore/default.aspx |
| Release 5 | | | | | |
| ATIS | ATIS.3GPP.48.052V501-2005 | 5.0.1 | Approved | Apr 05 | https://www.atis.org/docstore/default.aspx |
| Release 6 | | | | | |
| ATIS | ATIS.3GPP.48.052V600-2006 | 6.0.0 | Approved | Apr 06 | https://www.atis.org/docstore/default.aspx |
| Release 7 | | | | | |
| ATIS | ATIS.3GPP.48.052V700-2008 | 7.0.0 | Approved | Oct 08 | https://www.atis.org/docstore/default.aspx |
| Release 8 | | | | | |
| ATIS | ATIS.3GPP.48.052V800-2010 | 8.0.0 | Approved | Jul 10 | https://www.atis.org/docstore/default.aspx |
| Release 9 | | | | | |
| ATIS | ATIS.3GPP.48.052V900-2014 | 9.0.0 | Approved | May 14 | https://www.atis.org/docstore/default.aspx |

5.4.2.12.12 TS 48.054

Base Station Controller - Base Transceiver Station (BSC-BTS) Interface; Layer 1 structure of physical circuits

This document describes the layer 1 structure of physical circuits for the BSC-BTS interface.

| SDO (2) | Document No. | Version | Status | Issued date | Location (1) |
|-------------------|---------------------------|---------|----------|-------------|---|
| Release 99 | | | | | |
| ATIS | T1.3GPP.08.54V801-2003 | 8.0.1 | Approved | Dec 03 | https://www.atis.org/docstore/default.aspx |
| Release 5 | | | | | |
| ATIS | ATIS.3GPP.48.054V501-2005 | 5.0.1 | Approved | Apr 05 | https://www.atis.org/docstore/default.aspx |
| Release 6 | | | | | |
| ATIS | ATIS.3GPP.48.054V600-2006 | 6.0.0 | Approved | Apr 06 | https://www.atis.org/docstore/default.aspx |
| Release 7 | | | | | |
| ATIS | ATIS.3GPP.48.054V700-2008 | 7.0.0 | Approved | Oct 08 | https://www.atis.org/docstore/default.aspx |
| Release 8 | | | | | |
| ATIS | ATIS.3GPP.48.054V800-2010 | 8.0.0 | Approved | Jul 10 | https://www.atis.org/docstore/default.aspx |
| Release 9 | | | | | |

ATIS ATIS.3GPP.48.054V900-2014 9.0.0 Approved May 14 <https://www.atis.org/docstore/default.aspx>

5.4.2.12.13 TS 48.056

Base Station Controller - Base Transceiver Station (BSC-BTS) Interface; Layer 2 specification

This document provides the layer 2 specification for the BSC-BTS interface.

| SDO (2) | Document No. | Version | Status | Issued date | Location (1) |
|-------------------|---------------------------|---------|----------|-------------|---|
| Release 99 | | | | | |
| ATIS | T1.3GPP.08.56V801-2003 | 8.0.1 | Approved | Dec 03 | https://www.atis.org/docstore/default.aspx |
| Release 5 | | | | | |
| ATIS | T1.3GPP.48.056V500-2003 | 5.0.0 | Approved | Dec 03 | https://www.atis.org/docstore/default.aspx |
| Release 6 | | | | | |
| ATIS | ATIS.3GPP.48.056V600-2006 | 6.0.0 | Approved | Apr 06 | https://www.atis.org/docstore/default.aspx |
| Release 7 | | | | | |
| ATIS | ATIS.3GPP.48.056V700-2008 | 7.0.0 | Approved | Oct 08 | https://www.atis.org/docstore/default.aspx |
| Release 8 | | | | | |
| ATIS | ATIS.3GPP.48.056V800-2010 | 8.0.0 | Approved | Jul 10 | https://www.atis.org/docstore/default.aspx |
| Release 9 | | | | | |
| ATIS | ATIS.3GPP.48.056V900-2014 | 9.0.0 | Approved | May 14 | https://www.atis.org/docstore/default.aspx |

5.4.2.12.14 TS 48.058

Base Station Controller - Base Transceiver Station (BSC-BTS) Interface; Layer 3 specification

This document provides the layer 3 specification for the BSC-BTS interface.

| SDO (2) | Document No. | Version | Status | Issued date | Location (1) |
|-------------------|---------------------------|---------|----------|-------------|---|
| Release 99 | | | | | |
| ATIS | T1.3GPP.08.58V860-2003 | 8.6.0 | Approved | Dec 03 | https://www.atis.org/docstore/default.aspx |
| Release 5 | | | | | |
| ATIS | T1.3GPP.48.058V560-2003 | 5.6.0 | Approved | Dec 03 | https://www.atis.org/docstore/default.aspx |
| Release 6 | | | | | |
| ATIS | ATIS.3GPP.48.058V620-2007 | 6.2.0 | Approved | Oct 07 | https://www.atis.org/docstore/default.aspx |
| Release 7 | | | | | |
| ATIS | ATIS.3GPP.48.058V700-2008 | 7.0.0 | Approved | Oct 08 | https://www.atis.org/docstore/default.aspx |
| Release 8 | | | | | |
| ATIS | ATIS.3GPP.48.058V800-2010 | 8.0.0 | Approved | Jul 10 | https://www.atis.org/docstore/default.aspx |
| Release 9 | | | | | |
| ATIS | ATIS.3GPP.48.058V900-2014 | 9.0.0 | Approved | May 14 | https://www.atis.org/docstore/default.aspx |

5.4.2.12.15 TS 48.071

Location Services (LCS); Serving Mobile Location Centre û Serving Base Station System (SMLC û BSS) Interface; Layer 3 specification

This document contains the SMLC-BSS layer 3 specification for location services.

| SDO (2) | Document No. | Version | Status | Issued date | Location (1) |
|-------------------|---------------------------|---------|----------|-------------|---|
| Release 99 | | | | | |
| ATIS | ATIS.3GPP.08.71V860-2008 | 8.6.0 | Approved | Oct 08 | https://www.atis.org/docstore/default.aspx |
| Release 5 | | | | | |
| ATIS | ATIS.3GPP.48.071V520-2007 | 5.2.0 | Approved | Oct 07 | https://www.atis.org/docstore/default.aspx |
| Release 6 | | | | | |
| ATIS | ATIS.3GPP.48.071V690-2007 | 6.9.0 | Approved | Oct 07 | https://www.atis.org/docstore/default.aspx |
| Release 7 | | | | | |
| ATIS | ATIS.3GPP.48.071V720-2008 | 7.2.0 | Approved | Oct 08 | https://www.atis.org/docstore/default.aspx |
| Release 8 | | | | | |
| ATIS | ATIS.3GPP.48.071V800-2010 | 8.0.0 | Approved | Jul 10 | https://www.atis.org/docstore/default.aspx |
| Release 9 | | | | | |
| ATIS | ATIS.3GPP.48.071V930-2014 | 9.3.0 | Approved | May 14 | https://www.atis.org/docstore/default.aspx |

5.4.2.12.16 TS 48.103

Base Station System û Media GateWay (BSS-MGW) interface; User plane transport mechanism

The present document specifies the User Plane data transport protocols used between BSSs and the Core Network (MGWs) across the A interface. The main purpose of the present document is the AoIP description, however for the sake of completeness the AoTDM case is described as well.

| SDO (2) | Document No. | Version | Status | Issued date | Location (1) |
|------------------|---------------------------|---------|----------|-------------|---|
| Release 8 | | | | | |
| ATIS | ATIS.3GPP.48.103V830-2012 | 8.3.0 | Approved | Jul 12 | https://www.atis.org/docstore/default.aspx |
| Release 9 | | | | | |
| ATIS | ATIS.3GPP.48.103V910-2014 | 9.1.0 | Approved | May 14 | https://www.atis.org/docstore/default.aspx |

5.4.2.12.17 TS 49.008

Application of the Base Station System application part (BSSAP) on E interface

This document describes the BSSAP protocol on the E interface.

| SDO (2) | Document No. | Version | Status | Issued date | Location (1) |
|-------------------|---------------------------|---------|----------|-------------|---|
| Release 99 | | | | | |
| ATIS | ATIS.3GPP.09.08V820-2005 | 8.2.0 | Approved | Apr 05 | https://www.atis.org/docstore/default.aspx |
| Release 5 | | | | | |
| ATIS | ATIS.3GPP.49.008V510-2005 | 5.1.0 | Approved | Apr 05 | https://www.atis.org/docstore/default.aspx |
| Release 6 | | | | | |

| | | | | | |
|------------------|---------------------------|-------|----------|--------|---|
| ATIS | ATIS.3GPP.49.008V610-2006 | 6.1.0 | Approved | Apr 06 | https://www.atis.org/docstore/default.aspx |
| Release 7 | | | | | |
| ATIS | ATIS.3GPP.49.008V700-2008 | 7.0.0 | Approved | Oct 08 | https://www.atis.org/docstore/default.aspx |
| Release 8 | | | | | |
| ATIS | ATIS.3GPP.49.008V811-2010 | 8.1.1 | Approved | Jul 10 | https://www.atis.org/docstore/default.aspx |
| Release 9 | | | | | |
| ATIS | ATIS.3GPP.49.008V900-2014 | 9.0.0 | Approved | May 14 | https://www.atis.org/docstore/default.aspx |

5.4.2.12.18 TS 49.031

Location Services (LCS); Base Station System application part LCS extension (BSSAP-LE)

This document describes the LCS extension to the BSS application part.

| SDO (2) | Document No. | Version | Status | Issued date | Location (1) |
|-------------------|---------------------------|---------|----------|-------------|---|
| Release 99 | | | | | |
| ATIS | ATIS.3GPP.09.31V871-2005 | 8.7.1 | Approved | Apr 05 | https://www.atis.org/docstore/default.aspx |
| Release 5 | | | | | |
| ATIS | ATIS.3GPP.49.031V540-2005 | 5.4.0 | Approved | Apr 05 | https://www.atis.org/docstore/default.aspx |
| Release 6 | | | | | |
| ATIS | ATIS.3GPP.49.031V650-2006 | 6.5.0 | Approved | Apr 06 | https://www.atis.org/docstore/default.aspx |
| Release 7 | | | | | |
| ATIS | ATIS.3GPP.49.031V760-2008 | 7.6.0 | Approved | Oct 08 | https://www.atis.org/docstore/default.aspx |
| Release 8 | | | | | |
| ATIS | ATIS.3GPP.49.031V810-2010 | 8.1.0 | Approved | Jul 10 | https://www.atis.org/docstore/default.aspx |
| Release 9 | | | | | |
| ATIS | ATIS.3GPP.49.031V900-2014 | 9.0.0 | Approved | May 14 | https://www.atis.org/docstore/default.aspx |

5.4.2.12.19 TS 23.226

Global text telephony (GTT); Stage 2

This document gives the stage 2 description of the architecture of the real time Text Conversation Feature called Global Text Telephony, GTT and identifies the functional capabilities needed to support the service.

| SDO (2) | Document No. | Version | Status | Issued date | Location (1) |
|------------------|---------------------------|---------|----------|-------------|---|
| Release 6 | | | | | |
| ATIS | ATIS.3GPP.23.226V600-2008 | 6.0.0 | Approved | Oct 08 | https://www.atis.org/docstore/default.aspx |
| Release 7 | | | | | |
| ATIS | ATIS.3GPP.23.226V700-2008 | 7.0.0 | Approved | Oct 08 | https://www.atis.org/docstore/default.aspx |
| Release 8 | | | | | |
| ATIS | ATIS.3GPP.23.226V800-2010 | 8.0.0 | Approved | Jul 10 | https://www.atis.org/docstore/default.aspx |
| Release 9 | | | | | |
| ATIS | ATIS.3GPP.23.226V900-2014 | 9.0.0 | Approved | May 14 | https://www.atis.org/docstore/default.aspx |

5.4.2.12.20 TS 23.236**Intra-domain connection of Radio Access Network (RAN) nodes to multiple Core Network (CN) nodes**

This document contains the details for the Intra Domain Connection of RAN Nodes to Multiple CN Nodes and the stage 2 procedures for the support of connecting a RNC or BSC to multiple MSC servers or SGSNs.

| SDO (2) | Document No. | Version | Status | Issued date | Location (1) |
|------------------|---------------------------|---------|----------|-------------|---|
| Release 6 | | | | | |
| ATIS | ATIS.3GPP.23.236V630-2007 | 6.3.0 | Approved | Oct 07 | https://www.atis.org/docstore/default.aspx |
| Release 7 | | | | | |
| ATIS | ATIS.3GPP.23.236V700-2008 | 7.0.0 | Approved | Oct 08 | https://www.atis.org/docstore/default.aspx |
| Release 8 | | | | | |
| ATIS | ATIS.3GPP.23.236V810-2010 | 8.1.0 | Approved | Jul 10 | https://www.atis.org/docstore/default.aspx |
| Release 9 | | | | | |
| ATIS | ATIS.3GPP.23.236V900-2014 | 9.0.0 | Approved | May 14 | https://www.atis.org/docstore/default.aspx |

5.4.2.12.21 TS 23.271**Functional stage 2 description of Location Services (LCS)**

This document contains a functional description of location services.

| SDO (2) | Document No. | Version | Status | Issued date | Location (1) |
|------------------|----------------------------|---------|----------|-------------|---|
| Release 5 | | | | | |
| ATIS | ATIS.3GPP.23.271V5130-2006 | 5.13.0 | Approved | Apr 06 | https://www.atis.org/docstore/default.aspx |
| Release 6 | | | | | |
| ATIS | ATIS.3GPP.23.271V6130-2006 | 6.13.0 | Approved | Apr 06 | https://www.atis.org/docstore/default.aspx |
| Release 7 | | | | | |
| ATIS | ATIS.3GPP.23.271V7100-2010 | 7.10.0 | Approved | Jul 10 | https://www.atis.org/docstore/default.aspx |
| Release 8 | | | | | |
| ATIS | ATIS.3GPP.23.271V810-2010 | 8.1.0 | Approved | Jul 10 | https://www.atis.org/docstore/default.aspx |
| Release 9 | | | | | |
| ATIS | ATIS.3GPP.23.271V980-2014 | 9.8.0 | Approved | May 14 | https://www.atis.org/docstore/default.aspx |

5.4.2.12.22 TS 24.030**Location Services (LCS); Supplementary service operations; Stage 3**

This document gives the stage 3 description of the Location Service (LCS) operations for the mobile station. These operations apply to both CS and PS domain.

| SDO (2) | Document No. | Version | Status | Issued date | Location (1) |
|---------|--------------|---------|--------|-------------|--------------|
|---------|--------------|---------|--------|-------------|--------------|

Release 5

| | | | | | |
|------|---------------------------|-------|----------|--------|---|
| ATIS | ATIS.3GPP.24.030V510-2006 | 5.1.0 | Approved | Apr 06 | https://www.atis.org/docstore/default.aspx |
|------|---------------------------|-------|----------|--------|---|

Release 6

| | | | | | |
|------|---------------------------|-------|----------|--------|---|
| ATIS | ATIS.3GPP.24.030V640-2007 | 6.4.0 | Approved | Oct 07 | https://www.atis.org/docstore/default.aspx |
|------|---------------------------|-------|----------|--------|---|

Release 7

| | | | | | |
|------|---------------------------|-------|----------|--------|---|
| ATIS | ATIS.3GPP.24.030V720-2008 | 7.2.0 | Approved | Oct 08 | https://www.atis.org/docstore/default.aspx |
|------|---------------------------|-------|----------|--------|---|

Release 8

| | | | | | |
|------|---------------------------|-------|----------|--------|---|
| ATIS | ATIS.3GPP.24.030V800-2010 | 8.0.0 | Approved | Jul 10 | https://www.atis.org/docstore/default.aspx |
|------|---------------------------|-------|----------|--------|---|

Release 9

| | | | | | |
|------|---------------------------|-------|----------|--------|---|
| ATIS | ATIS.3GPP.24.030V900-2014 | 9.0.0 | Approved | May 14 | https://www.atis.org/docstore/default.aspx |
|------|---------------------------|-------|----------|--------|---|

5.4.2.12.23 TR 25.901**Network Assisted Cell Change (NACC) from UTRAN to GERAN; Network side aspects**

This document gives the stage 3 description of the Location Service (LCS) operations for the mobile station. These operations apply to both CS and PS domain.

| SDO (2) | Document No. | Version | Status | Issued date | Location (1) |
|------------------|---------------------------|---------|----------|-------------|---|
| Release 6 | | | | | |
| ATIS | ATIS.3GPP.25.901V610-2008 | 6.1.0 | Approved | Oct 08 | https://www.atis.org/docstore/default.aspx |
| Release 7 | | | | | |
| ATIS | ATIS.3GPP.25.901V700-2008 | 7.0.0 | Approved | Oct 08 | https://www.atis.org/docstore/default.aspx |

5.4.2.12.24 TS 29.171**Location Services (LCS); LCS Application Protocol (LCS-SP) between the Mobile Management Entity (MME) and Evolved Serving Mobile Location Centre (E-SMLC); SLs interface**

This document specifies the procedures and information coding for LCS Application Protocol (LCS-AP) that is needed to support the location services in E-UTRAN. The LCS-AP message set is applicable to the SLs interface between the E-SMLC and the MME. LCS-AP is developed in accordance to the general principles stated in 3GPP TS 23.271.

| SDO (2) | Document No. | Version | Status | Issued date | Location (1) |
|------------------|---------------------------|---------|----------|-------------|---|
| Release 9 | | | | | |
| ATIS | ATIS.3GPP.29.171V940-2014 | 9.4.0 | Approved | May 14 | https://www.atis.org/docstore/default.aspx |

5.4.2.12.25 TS 29.172**Location Services (LCS); Evolved Packet Core (EPC) LCS Protocol (ELP) between the Gateway Mobile Location Centre (GMLC) and the Mobile Management Entity (MME); SLg interface**

This document specifies the procedures and information coding for the EPC LCS Protocol (ELP) that is needed to support the location services in E-UTRAN. The ELP message set is applicable to the SLg interface between the MME and the GMLC. ELP is developed in accordance to the

general principles stated in 3GPP TS 23.271.

| SDO (2) | Document No. | Version | Status | Issued date | Location (1) |
|------------------|---------------------------|---------|----------|-------------|---|
| Release 9 | | | | | |
| ATIS | ATIS.3GPP.29.172V950-2014 | 9.5.0 | Approved | May 14 | https://www.atis.org/docstore/default.aspx |

5.4.2.12.26 TS 29.173

Location Services (LCS); Diameter-based SLh interface for Control Plane LCS

This document specifies the Diameter-based SLh interface between the GMLC and the HSS defined for the Control Plane LCS in EPC. LCS procedures over the SLh interface are defined in the 3GPP TS 23.271. This specification defines the Diameter application for the GMLC-HSS, SLh reference point. The interactions between the HSS and the GMLC are specified, including the signalling flows. As LCS procedures over the Diameter-based SLh interface are identical to the MAP-based Lh interface, the descriptions of the Lh MAP operations defined in the 3GPP TS 29.002 are mapped into the descriptions of the SLh Diameter commands.

| SDO (2) | Document No. | Version | Status | Issued date | Location (1) |
|------------------|---------------------------|---------|----------|-------------|---|
| Release 9 | | | | | |
| ATIS | ATIS.3GPP.29.173V940-2014 | 9.4.0 | Approved | May 14 | https://www.atis.org/docstore/default.aspx |

5.4.2.13 Other System aspects

The IMT-2000 TDMA-SC specification also includes the following documents which are useful and related to this Recommendation.

5.4.2.13.1 TS 22.002

Circuit bearer services (BS) supported by a Public Land Mobile Network (PLMN)

This document describes the services supported by the circuit switched bearer on the 200 kHz channel.

5.4.2.13.2 TS 22.048

Security mechanisms for the (U)SIM Application Toolkit; Stage 1

This document provides functional description for the security mechanisms employed for the SIM or USIM Application Toolkit.

5.4.2.13.3 TS 22.053

Tandem Free Operation (TFO); Service Description; Stage 1

This document provides a stage 1 description for vocoder tandem free operation.

5.4.2.13.4 TS 22.057**Mobile Execution Environment (MExE); Stage 1 description**

This document provides a stage 1 functional description of the mobile execution environment.

5.4.2.13.5 TS 22.066**Support of Mobile Number portability (MNP); Service description; Stage 1**

This document provides a stage 1 description of mobile number portability.

5.4.2.13.6 TS 22.067**Enhanced Multi-level Precedence and Pre-emption (eMLPP) service; Stage 1**

This document provides a stage 1 description of the enhanced multi-level precedence and pre-emption (eMLPP) function, which provides different call priorities in combination with fast set-up and pre-emption.

5.4.2.13.7 TS 22.071**Location Services (LCS); Service description; Stage 1**

This document provides a stage 1 description of location services.

5.4.2.13.8 TS 22.072**Call deflection (CD) service description; Stage 1**

This document provides a stage 1 description of the call deflection supplementary service.

5.4.2.13.9 TS 22.078**Customised Applications for Mobile network Enhanced Logic (CAMEL); Service description; Stage 1**

This document provides a stage 1 description of the CAMEL functionality.

5.4.2.13.10 TS 22.079**Support of Optimal Routing (SOR); Service definition; Stage 1**

This document provides a stage 1 of the optimal routing function.

5.4.2.13.11 TS 22.081

Line Identification Supplementary service; Stage 1

This document provides a stage 1 description of the calling line identification supplementary service.

5.4.2.13.12 TS 22.082**Call Forwarding (CF) Supplementary services; Stage 1**

This document provides a stage 1 description of the call forwarding supplementary service.

5.4.2.13.13 TS 22.083**Call Waiting (CW) and Call Hold (HOLD); Supplementary services; Stage 1**

This document provides a stage 1 description of the call waiting and call hold supplementary service.

5.4.2.13.14 TS 22.084**Multi-party (MPTY) Supplementary service; Stage 1**

This document provides a stage 1 description of the multi-party supplementary service.

5.4.2.13.15 TS 22.085**Closed User Group (CUG) Supplementary services; Stage 1**

This document provides a stage 1 description of the multi-party supplementary service.

5.4.2.13.16 TS 22.086**Advice of Charge (AoC) Supplementary services; Stage 1**

This document provides a stage 1 description of the advice of charge supplementary service.

5.4.2.13.17 TS 22.087**User-to-User Signalling (UUS) Service description; Stage 1**

This document provides a stage 1 description of the user-to-user signalling supplementary service.

5.4.2.13.18 TS 22.088**Call Barring (CB) Supplementary services; Stage 1**

This document provides a stage 1 description of the call barring supplementary service.

5.4.2.13.19 TS 22.090**Unstructured Supplementary Service Data (USSD); Stage 1**

This document provides a stage 1 description of unstructured supplementary service data.

5.4.2.13.20 TS 22.091**Explicit call transfer (ECT) Supplementary Service; Stage 1**

This document provides a stage 1 description of the explicit call transfer supplementary service.

5.4.2.13.21 TS 22.093**Completion of Calls to Busy Subscriber (CCBS); Service description; Stage 1**

This document provides a stage 1 service description of the explicit call transfer supplementary service.

5.4.2.13.22 TS 22.094**Follow me Service description; Stage 1**

This document provides a stage 1 description of the follow me supplementary service.

5.4.2.13.23 TS 22.096**Name Identification Supplementary Services; Stage 1**

This document provides a stage 1 description of the name identification supplementary service.

5.4.2.13.24 TS 22.097**Multiple Subscriber Profile (MSP) phase 2; Service description; Stage 1**

This document provides a stage 1 service description of the phase 1 multiple subscriber profile service.

5.4.2.13.25 TS 22.226**Global Text Telephony (GTT); Stage 1**

This document provides a stage 1 service description of the Global text telephony service.

5.4.2.13.26 TS 22.228**Service requirements for the Internet Protocol (IP) Multimedia Core Network Subsystem (IMS); Stage 1**

This document provides the stage 1 service requirements of the IP Multimedia Subsystem.

5.4.2.13.27 TS 23.121

Architectural requirements for Release 99

This document provides architectural requirements for Release 99.

5.4.2.13.28 TS 23.221

Architectural requirements

This document provides architectural requirements for GERAN and UTRAN Releases 5, 6, 7 and 8.

5.4.2.13.29 TS 23.236

Intra-domain connection of Radio Access Network (RAN) nodes to multiple Core Network (CN) nodes

This document describes the connection of RAN nodes to multiple CN nodes such as MSCs.

5.4.2.13.30 TS 29.278

Customized Applications for Mobile network Enhanced Logic (CAMEL) Phase 4; CAMEL Application part (CAP) specification for IP Multimedia Subsystems (IMS)

This document describes the CAMEL application part for IP multimedia subsystems.

5.4.2.13.31 TS 41.031

Fraud information gathering system (FIGS);Service requirements; Stage 0

This document provides a description of the fraud information gathering system for the GSM/EDGE system.

5.4.2.13.32 TS 41.033

Lawful interception requirements for GSM/EDGE

This document provides a description of the lawful interception requirements the GSM/EDGE system.

5.4.2.13.33 TS 42.019

Subscriber Identity Modules, Application programming interface; Stage 1

This document provides the functional description for the SIM Application Programming Interface (API) used in the GSM/EDGE specifications.

5.4.2.13.34 TS 22.031**3G Security; Fraud information gathering system (FIGS); Service description; Stage 1**

This document provides a stage 1 description of the fraud information gathering system for GERAN/UTRAN systems.

5.4.2.13.35 TS 42.033**Lawful interception; Stage 1**

This document provides a stage 1 description of the lawful interception functions for the GSM/EDGE system.

5.4.2.13.36 TS 43.030**Radio network planning aspects**

This document describes the aspects of planning a radio network.

5.4.2.13.37 TS 41.061**GPRS ciphering algorithm requirements**

This document provides the requirements for the General Packet Radio ciphering algorithms.

5.4.2.13.38 TS 42.009**Security aspects**

This document provides a description of the security aspects for the GSM/EDGE system.

5.4.2.13.39 TS 42.017**Subscriber Identity Modules, Functional characteristics**

This document defines the functional characteristics for the SIM used in the GSM/EDGE specifications.

5.4.2.13.40 TS 51.010-4**Mobile Station conformance specification, Part 4- SIM Application Toolkit conformance specification**

This document provides a conformance specification for the SIM Application toolkit

5.4.2.13.41 TS 51.011**Specification of SIM-ME interface**

This document describes the interface between the mobile equipment and the subscriber identity module.

5.4.2.13.42 TS 31.122

USIM conformance test specification

This document provides a conformance specification for the USIM.

5.4.2.13.43 TS 22.048

Security mechanisms for the (U)SIM application toolkit; Stage 1

This document provides the stage 1 description of the security mechanisms for the SIM/USIM application toolkits for GERAN/UTRAN systems.

5.4.2.13.44 TS 23.031

3G Security; Fraud Information Gathering System (FIGS); Technical realization; Stage 2

This document provides the stage 2 description of the fraud information gathering system for GERAN/UTRAN systems.

5.4.2.13.45 TS 23.066

Support of GSM Mobile Number Portability (MNP); Stage 2

This document provides the stage 2 description of the GSM mobile number portability functionality.

5.4.2.13.46 TS 23.278

Customised Applications for Mobile network Enhanced Logic (CAMEL) Phase 4; Stage 2; IM CN Interworking

This document specifies the stage 2 description for the Customized Applications for Mobile network Enhanced Logic (CAMEL) feature which provides the mechanisms to support services for the IP Multimedia Core Network (IM CN) Subsystem.

5.4.2.13.47 TS 24.002

GSM-UMTS Public Land Mobile Network (PLMN) Access Reference Configuration

This document describes the reference configuration for access to a PLMN. A user accesses a PLMN via a number of interfaces, including the MS-BS (in A/Gb mode and GERAN Iu mode) and UE-UTRAN (in UTRAN Iu mode) interface. The purpose of this document is to indicate the possible access arrangements that may be used in conjunction with the MS-BS (in A/Gb mode and GERAN Iu mode) and UE-UTRAN (in UTRAN Iu mode) interface.

5.4.2.13.48 TS 31.103**Characteristics of the IP Multimedia Services Identity Module (ISIM) application**

This document defines the IP Multimedia Services Identity Module (ISIM) application. This application resides on the UICC IC card. In particular, this document specifies the application independent properties of the UICC/terminal interface such as the physical characteristics and the logical structure.

5.4.2.13.49 TS 31.116**Remote APDU Structure for (Universal) Subscriber Identity Module (U)SIM Toolkit applications**

This document defines the remote management of files and applets on the SIM/USIM/ISIM. The present document is the result of a split of TS 23.048 Release 5 between the generic part and the bearers specific application. The generic part has been transferred to SCP. This document contains the bearers specific part.

5.4.2.13.50 TS 31.130**(U)SIM Application Programming Interface (API); (U)SIM API for Java Card**

This document defines the (U)SIM Application Programming Interface extending the "UICC API for Java Card" which allows the development of a (U)SAT application running together with a (U)SIM application and using GSM/3G network features.

5.4.2.13.51 TS 34.131

Test Specification for C-language binding to Universal Subscriber Identity Module (U)SIM Application Programming Interface This document describes the technical characteristics and methods of test for testing the SIM API for the C programming language 3GPP TS 31.131 implemented in the subscriber identity modules for GSM and 3G networks.

5.4.2.13.52 TS 42.068**Voice Group Call Service (VGCS); Stage 1**

This document contains the stage one description of the Voice Group Call Service (VGCS) which allows speech conversation of a predefined group of service subscribers in half duplex mode on the radio link taking into account multiple mobile service subscribers involved in the VGCS call per cell.

5.4.2.13.53 TS 42.069**Voice Broadcast Service (VBS); Stage 1**

This document contains the stage one description of the Voice Broadcast Service (VBS) which allows the distribution of speech (or other signals which can be transmitted via the speech codec), generated by a service subscriber, into a predefined geographical area to all or a group of service subscribers located in this area.

5.4.2.13.54 TS 43.068**Voice Group Call Service (VGCS); Stage 2**

This document contains the stage 2 description of the Voice Group Call Service (VGCS) which allows speech conversation of a predefined group of service subscribers in half duplex mode on the radio link taking into account multiple mobile service subscribers involved in the VGCS call per cell.

5.4.2.13.55 TS 43.069**Voice Broadcast Service (VBS); Stage 2**

This document contains the stage2 description of the Voice Broadcast Service (VBS) which allows the distribution of speech (or other signals which can be transmitted via the speech codec), generated by a service subscriber, into a predefined geographical area to all or a group of service subscribers located in this area.

5.4.2.13.56 TS 43.130**Iur-g interface; Stage 2**

This document provides an overview of the Iur-g interface. It describes the motivation, principles and functionality of this interface.

5.5 IMT-2000 FDMA/TDMA

5.5.1 Overview of the radio interface

5.5.1.1 Introduction

The IMT-2000 radio interface specifications for FDMA/TDMA technology are defined by a set of ETSI standards. This radio interface is called digital enhanced cordless telecommunications (DECT).

Figure 61 shows the layers of this radio interface.

The individual layers are defined in different parts of the common interface (CI) standard. The standard specifies a TDMA radio interface with TDD. The radio-frequency bit rates for the specified modulation schemes are 1.152 Mbit/s, 2.304 Mbit/s, 3.456 Mbit/s, 4.608 Mbit/s and 6.912 Mbit/s. The standard supports symmetric and asymmetric connections, connection oriented and connectionless data transport. Using multi-carrier-operation with, e.g. 3 carriers allows bit rates up to 20 Mbit/s. The network layer contains the protocols for call control, supplementary services, connection oriented message service, connectionless message service and mobility management, including the security and confidentiality services.

FIGURE 61

Protocol layered structure

| |
|--|
| Network (NWK) Layer (3) |
| Data Link Control (DLC) Layer (2b) |
| Medium Access Control (MAC) Layer (2a) |
| Physical Layer (PHL) (1) |

M.1457-61

In addition to the CI standard, access profile standards define minimum requirements for accessing specific networks and the interworking to these networks. For example, the generic access profile (GAP) standard defines the requirements when using the speech service and the DECT packet radio service (DPRS) standard defines the requirements for packet data transport.

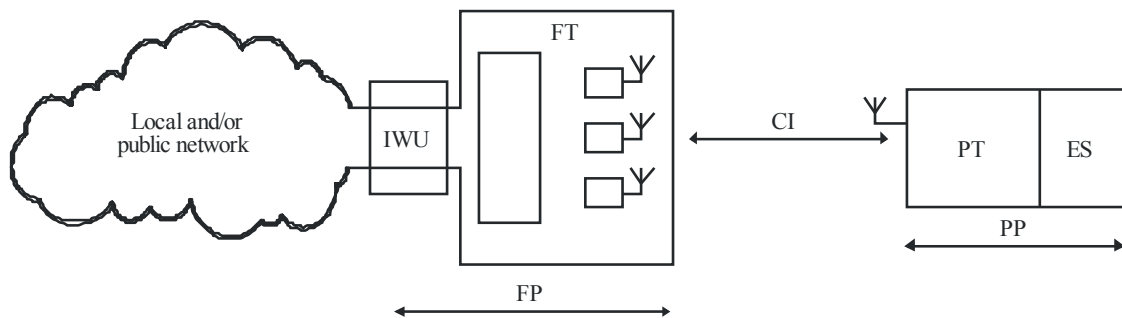
A high-level description of features and how the relevant ETSI standards interrelate to the different applications can be found in the ETSI Technical Report TR 101 178: – A high-level guide to the DECT standardization.

This radio interface is a general radio access technology for wireless telecommunications. It is a high capacity digital technology, for wide cell radii ranging from a few metres to several kilometres, depending on application and environment. It provides telephony quality voice services, and a broad range of data services, including ISDN and packet data. It can be effectively implemented in a range from simple residential cordless telephones up to large systems providing a wide range of telecommunications services, including fixed wireless access.

5.5.1.2 General access technology

This technology provides a comprehensive set of protocols which provide the flexibility to interwork between numerous different applications and networks. Thus a local and/or public network is not part of this specification. Figure 62 illustrates this.

FIGURE 62
The CI structure



M.1457-62

The radio interface covers, in principle, only the air interface between the fixed part (FP) and portable part (PP). The interworking unit (IWU) between a network and the fixed radio termination (FT) is network specific and is not part of the CI specification, but the profile specifications define IWUs for various networks. Similarly, the end system (ES), the application(s) in a PP is also excluded. The CI specification contains general end-to-end compatibility requirements, e.g. on speech transmission. The IWU and ES are also subject to general attachment requirements for the relevant public network, e.g. the PSTN/ISDN.

NOTE 1 – An ES depends on the application supported in a PP. For a speech telephony application the ES may be a microphone, speaker, keyboard and display. The ES could equally well be a serial computer port, a fax machine or whatever the application requires.

For each specific network, local or global, the specific services and features of that network are made available via the air interface to the users of PPs/handsets. Except for cordless capability and mobility, this standard does not offer a specific service; it is transparent to the services provided by the connected network.

Thus the CI standard is, and has to be, a tool box with protocols and messages from which a selection is made to access any specific network, and to provide means for market success for simple residential systems as well as for much more complex systems, e.g. office ISDN services.

IMT-2000 FDMA/TDMA is very suitable to be used as radio access system to connect to mobile networks. Specifically the access to GSM/UMTS networks has been specified in detail, which allows the provision of GSM/UMTS services via DECT. The multipart TS 101 863 contains the UMTS interworking specification.

The detailed requirements that have governed the standardization efforts of this interface are provided by the ETR 043 – DECT Common Interface Services and Facilities Requirements Specification – where one requirement is flexibility for additions and evolutionary applications. The CI standard has a layered structure as indicated in § 5.5.2. It contains a complete set of requirements, procedures and messages. The messages also contain codes that are reserved for evolutionary applications and proprietary extensions. The authentication algorithm and the encryption algorithm are not part of the CI standard, but are obtained from ETSI through a special legal procedure. The administration of global unique identity codes for manufacturing, installation and public operation are also handled by ETSI.

5.5.1.3 Summary of the physical layer

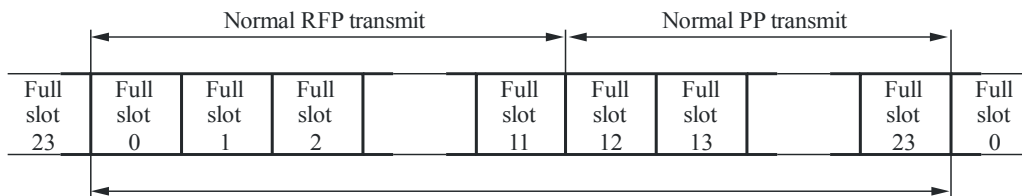
The specification for the physical layer is given in § 5.5.2.1. The tasks of the physical layer can be grouped into five categories:

- to modulate and demodulate radio carriers with a bit stream of a defined rate to create a radio frequency channel;
- to acquire and maintain bit and slot synchronization between transmitters and receivers;
- to transmit or receive a defined number of bits at a requested time and on a particular frequency;
- to add and remove the synchronization field and the Z-field used for rear end collision detection;
- to observe the radio environment to report signal strengths.

5.5.1.3.1 The physical channels

The radio access frequency channels as well as a time structure are defined. The carrier spacing is 1.728 MHz. To access the medium in time, a regular TDMA structure with a frame length of 10 ms is used. Within this frame 24 full-slots are created, each consisting of two half-slots. A double slot has a length of two full slots, and starts concurrently with an even numbered full slot.

FIGURE 63
Frame structure using full slot format

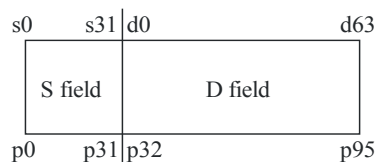


M.1457-63

Data is transmitted within the frequency, time, and space dimensions using physical packets. Physical packets shall be of one of the following four types:

- short physical packet P00 (D-field contains 64 symbols):

FIGURE 64
Packet P00

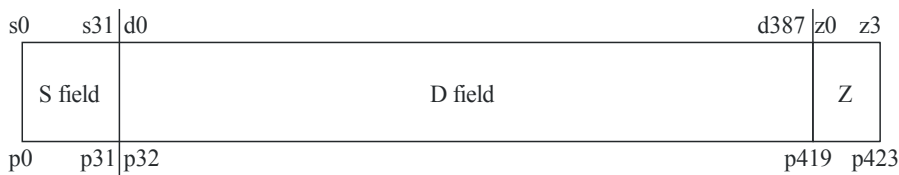


M.1457-64

– basic physical packet P32 (the D-field contains 388 symbols):

FIGURE 65

Packet P32

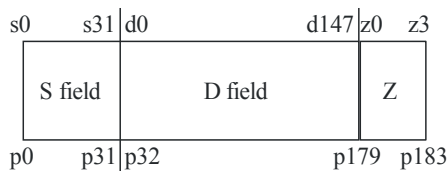


M.1457-65

– low capacity physical packet P08 (the D-field contains 148 symbols):

FIGURE 66

Packet P08

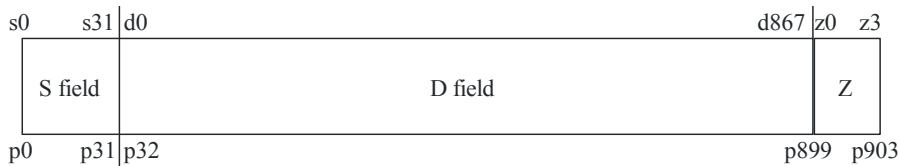


M.1457-66

– high capacity physical packet P80 (the D-field contains 868 symbols):

FIGURE 67

Packet P80



M.1457-67

Each physical packet contains a synchronization field S and a data field D. The packets P80, P32 and P08 may contain an optional collision detection field, Z.

The synchronization field S may be used by the receiver for clock and packet synchronization of the radio link. The first 16 bits are a preamble, and the last 16 bits are the packet synchronization word. A prolonged preamble field which extends the preamble bit pattern by 16 bits is optional. This prolonged preamble field may be used by a receiver for implementation of an antenna selection diversity algorithm.

5.5.1.3.2 The RF carrier modulation

The modulation method is either Gaussian frequency shift keying (GFSK), with a bandwidth-bit period product of nominally 0.5 or differential phase shift keying (DPSK) or phase amplitude modulation (QAM). Equipment is allowed to use 4-level and/or 8-level and/or 16-level and/or 64-level modulation in addition to 2-level modulation. This increases the bit rate of single radio equipment by a factor 2 or 3 or 4 or 6, which allows for 4 Mbit/s services.

For example, the asymmetric double-slot service with modulation configuration 3 provides up to 5.76 Mbit/s B-field data rate per carrier. The 4-level modulation shall be $\pi/4$ -DQPSK, the 8-level modulation $\pi/8$ -D8PSK, the 16-level modulation 16-QAM and the 64-level modulation 64-QAM. It is only allowed to use 4-level and/or 8-level modulation in the B + Z or the A + B + Z fields, whereby the S + A or the S field respectively shall use the $\pi/2$ -DBPSK 2-level modulation. It is only allowed to use 16-level and/or 64-level modulation in the B + Z fields, whereby the S + A field shall use the $\pi/2$ -DBPSK 2-level modulation. The allowed combinations of modulation schemes are defined in Table 7.

TABLE 7

Allowed combinations of modulation schemes

| Configuration | S-field | A-field | B + Z-field |
|---------------|----------------|----------------|----------------|
| 1a | GFSK | GFSK | GFSK |
| 1b | $\pi/2$ -DBPSK | $\pi/2$ -DBPSK | $\pi/2$ -DBPSK |
| 2 | $\pi/2$ -DBPSK | $\pi/2$ -DBPSK | $\pi/4$ -DQPSK |
| 3 | $\pi/2$ -DBPSK | $\pi/2$ -DBPSK | $\pi/8$ -D8PSK |
| 4a | $\pi/2$ -DBPSK | $\pi/4$ -DQPSK | $\pi/4$ -DQPSK |
| 4b | $\pi/2$ -DBPSK | $\pi/8$ -D8PSK | $\pi/8$ -D8PSK |
| 5 | $\pi/2$ -DBPSK | $\pi/2$ -DBPSK | 16-QAM |
| 6 | $\pi/2$ -DBPSK | $\pi/2$ -DBPSK | 64-QAM |

Schemes 2, 3, 5 and 6 ensure that equipment with basic 2-level modulation, and equipment with a higher rate option, can efficiently share a common BS infrastructure. The GFSK modulation can be detected for instance in a non-coherent $\pi/2$ -DPSK receiver, and the $\pi/2$ -DPSK modulation can be detected in a GFSK receiver. Therefore all A-field information including broadcast system information, paging and call control can be received independently of whether configuration 1, 2, 3, 5 or 6 is used.

5.5.1.4 Summary of the MAC layer

The specification for the MAC layer is given in § 5.5.2.2. The MAC layer offers three groups of services to the upper layers and to the management entity:

- broadcast message control (BMC);
- connectionless message control (CMC);
- multi-bearer control (MBC).

The BMC provides a set of continuous point-to-multipoint connectionless services. These are used to carry internal logical channels, and are also offered to the higher layers. These services operate in the direction FT to PT, and are available to all PTs within range.

The CMC provides connectionless point-to-point or point-to-multipoint services to the higher layers. These services may operate in both directions between one specific FT and one or more PTs.

Each instance of MBC provides one of a set of connection oriented point-to-point services to the higher layers. An MBC service may use more than one bearer to provide a single service.

Four types of MAC bearer are defined:

- simplex bearer: a simplex bearer is created by allocating one physical channel for transmissions in one direction;
- duplex bearer: a duplex bearer is created by a pair of simplex bearers, operating in opposite directions on two physical channels;
- double simplex: a double simplex bearer is created by a pair of long simplex bearers operating in the same direction on two physical channels;
- double duplex bearer: a double duplex bearer is composed by a pair of duplex bearers referring to the same MAC connection.

A bearer can exist in one of three operational states:

- dummy bearer: where there are normally continuous transmissions (i.e. one transmission in every frame);
- traffic bearer: where there are continuous point-to-point transmissions. A traffic bearer is a duplex bearer or a double simplex bearer or a double duplex bearer;
- connectionless bearer: where there are discontinuous transmissions. A connectionless bearer is either a simplex or a duplex bearer.

The MAC layer defines a logical structure for the physical channels. The user bit rate depends on the selected slot-type, modulation scheme, level of protection and number of slots. Table 8 gives the user bit rates for unprotected single slot operation.

TABLE 8
Bit rates for single slot operation

| | 2-level modulation (kbit/s) | 4-level modulation (kbit/s) | 8-level modulation (kbit/s) | 16-level modulation (kbit/s) | 64-level modulation (kbit/s) |
|-------------|-----------------------------|-----------------------------|-----------------------------|------------------------------|------------------------------|
| Half slot | 8 | 16 | 24 | 32 | 48 |
| Full slot | 32 | 64 | 96 | 128 | 192 |
| Long slot | 64 | 128 | 192 | 256 | 384 |
| Double slot | 80 | 160 | 240 | 320 | 480 |

5.5.1.5 Summary of the data link control (DLC) layer

The specification for the DLC layer is given in § 5.5.2.3. The DLC layer contains two independent planes of protocol, the C-plane and the U-plane. The C-plane is the control plane of the protocol stacks. The U-plane is the user plane of the protocol stacks.

5.5.1.5.1 C-plane services

The C-plane data link service is provided by two protocol entities called LAPC and Lc. These two protocol entities separate the link access protocol functions from the lower link control functions. The upper LAPC entity uses a protocol derived from the ISDN LAPD protocol. The lower Lc entity buffers and fragments complete LAPC frames (LAPC protocol data units) to/from the MAC layer.

The Lb entity provides a broadcast service in the direction FP to PP. It operates on simple fixed length frames and uses the dedicated MAC layer broadcast service.

5.5.1.5.2 U-plane services

The U-plane services are all optional, in the sense that each service corresponds to a particular requirement, and for any given application only selected services may be implemented.

Each U-plane service is divided into two entities, an upper (LU_x) entity and a lower (FB_x) entity. The upper (LU_x) entity contains all of the service dependent functions, and therefore defines the majority of the procedures. The lower (FB_x) entity buffers and fragments the complete U-plane frames (LU_x protocol data units) to/from the MAC layer. The following family members have been defined:

| | |
|-------|---|
| LU1: | Transparent unprotected service (TRUP) |
| LU2: | Frame relay service (FREL) |
| LU3: | Frame switching service (FSWI) |
| LU4: | FEC service |
| LU5: | Basic rate adaption service (BRAT) |
| LU6: | Secondary rate adaption service (SRAT) |
| LU7: | 64 kbit/s data bearer service with ARQ mechanism |
| LU8: | 64 kbit/s data bearer service without ARQ mechanism |
| LU9: | Unprotected rate adaption for V series equipment (RAVE) service |
| LU10: | Enhanced data service |
| LU11: | 64 kbit/s data bearer service when A and B fields are both modulated at 4 level |
| LU12: | Unprotected framed service |
| LU13: | Enhanced frame relay service with CRC |
| LU14: | Enhanced frame relay service with CCM |
| LU15: | Reserved for standard family member |
| LU16: | Escape for non-standard family (ESC). |

5.5.1.6 Summary of the network layer

The specification for the C-plane of the Summary of the network (NWK) layer is given in § 5.5.2.4. It contains no specification for the U-plane (user plane) because the U-plane is null for all services at the NWK layer.

The NWK layer (Layer 3) protocol contains the following groups of functions:

Link control entity (LCE): The establishment, operation and release of a C-plane link between the fixed termination and every active portable termination.

Call control (CC) entity: The establishment, maintenance and release of circuit-switched calls.

Call independent supplementary services (CISS) entity: The support of call independent supplementary services.

Connection oriented message service (COMS) entity: The support of connection-oriented messages.

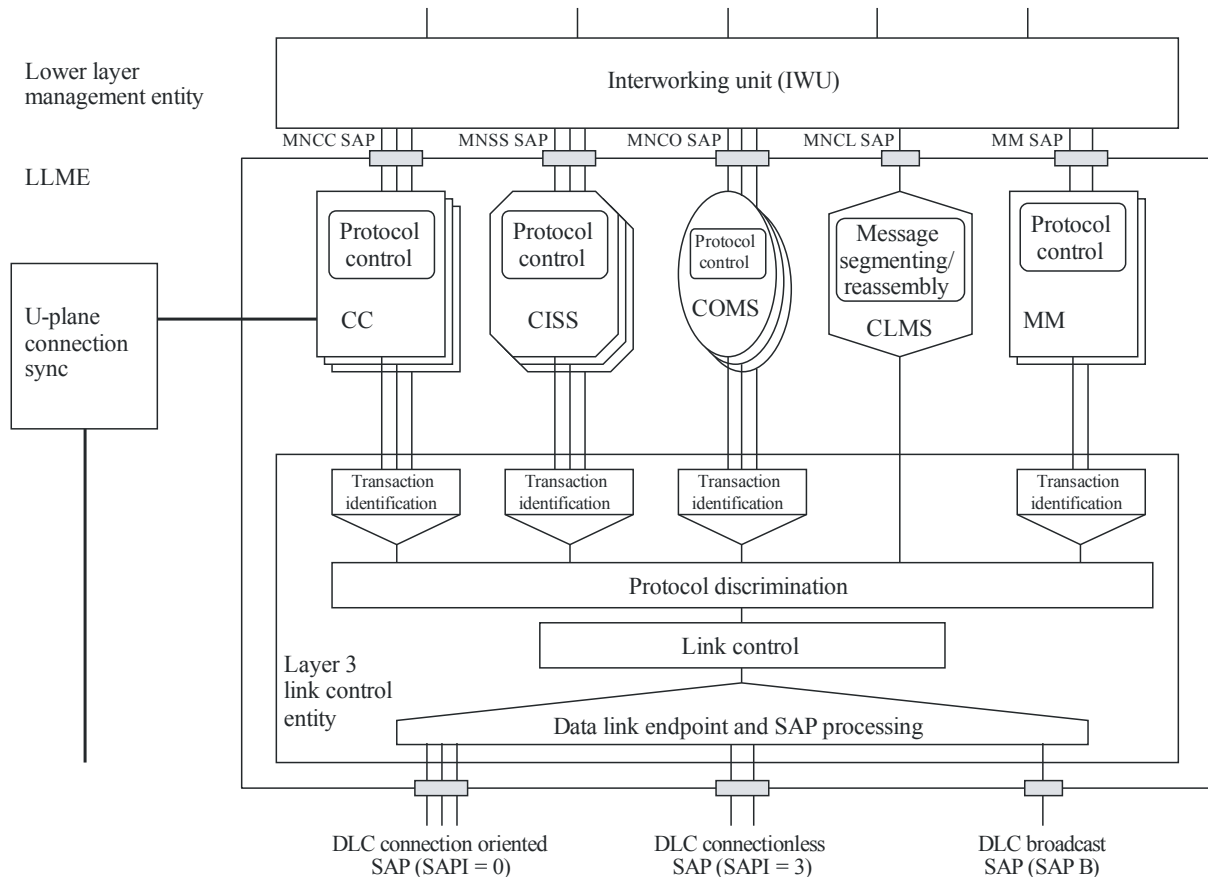
Connectionless message service (CLMS) entity: The support of connectionless messages.

Mobility management (MM) entity: The management of identities, authentication, location updating, on-air subscription and key allocation.

In addition all of these C-plane entities interface to the lower layer management entity (LLME). This provides coordination of the operations between different NWK layer entities and also between the NWK layer and the lower layers.

FIGURE 68

Network layer



M.1457-68

5.5.1.7 Summary of identities and addressing

The specifications for the identities and addressing mechanisms are given in § 5.5.2.5. FP identities are used to inform PPs about the identity of a FP and the access rights to that FP and thereby reduce the number of access attempts from unauthorized portables. A FP broadcasts this information. A PP needs to be able to interpret necessary parts of this broadcast information to detect the access rights to a system or even access rights agreements between system operators, i.e. operators A and B have a bilateral agreement permitting their users to roam between their systems. These agreements can change and cannot therefore be stored in PPs without updating them frequently. Therefore the FP handles access rights information which is embedded in the identity structure. The identity structure provides solutions for residential, public and private environments. This can also be extended to combinations between these environments, e.g. private groups of users within a public network built using this standard, and, e.g. public users access to private networks.

PP identities have two main purposes, first to enable a PP to select a valid FP and second to uniquely identify the PP within that FP. For these purposes there are two identities defined. These identities are the portable access rights key (PARK) and the IPUI.

Connection related identities are associated with the peer-to-peer communication. That means that every layer-to-layer connection has an identity. These identities serve the purpose of handshake, protection against co-channel interference, avoiding loss of a connection during bearer and connection handover, etc.

5.5.1.8 Summary of security features

The specifications for the security architecture, the types of cryptographic algorithms required, the way in which they are to be used, and the requirements for integrating the security features provided by the architecture are given in § 5.5.2.6. It also describes how the features can be managed and how they relate to certain fixed systems and local network configurations.

The security architecture is defined in terms of the security services which are to be supported at the CI, the mechanisms which are to be used to provide the services, and the cryptographic parameters, keys and processes which are associated with these mechanisms.

Two basic security services are specified, which are authentication and encryption.

The authentication is used to verify the provided identity. There are four forms defined, which are portable authentication, fixed part authentication, mutual authentication and user authentication. Encryption is used to obtain confidentiality of the data which is transmitted over the air.

5.5.1.9 Coexistence of uncoordinated installations on a common frequency band

The mandatory instant dynamic channel selection messages and procedures provide effective coexistence of uncoordinated private and public systems on the common designated frequency band and avoid any need for traditional frequency planning. Each device has access to all channels (time/frequency combinations).

When a connection is needed, the channel is selected, that at that instant and at that locality, is least interfered of all the common access channels. This avoids any need for traditional frequency planning, and greatly simplifies the installations. This procedure also provides higher and higher capacity by closer and closer BS installation, while maintaining a high radio link quality. Not needing to split the frequency resource between different services or users gives a very efficient use of the allocated spectrum. There is a large spectrum efficiency gain in sharing spectrum between applications and between operators.

Much unique knowledge and experience is available on the subject of sharing spectrum between uncoordinated installations. Information on this subject has been collected in an ETSI Technical Report, TR 101 310, which describes configurations for typical applications and relevant mixes of these, including residential, office, public and radio local loop (RLL) applications, and the traffic capacity is analysed, mainly by advanced simulations.

5.5.1.10 Access to different systems by the same PP

Each system, FP, has a broadcasted globally unique access rights identity (ARI). To each ARI are linked the available services, the related protocols and when required, e.g. a cipher-key and/or authentication-key. For each service suitable protocols have been selected from the CI tool box to efficiently provide these services.

Similarly each PP (handset) has one or more portable access rights keys (PARKs). One PARK relates to one FP or a group of FPs belonging to the same operator. To each PARK are linked the corresponding FP ARIs, related services and protocols, and when required, e.g. a ciphering-key and/or authentication-key.

Thus the same PP will have access to several different types of systems, if equipped with the relevant PARKs and associated protocols. Thus, it is basically not a common protocol for all systems that provide intersystem roaming, but it is that the PP is equipped with access rights and related protocols to the wanted systems. A detailed description of the flexible and powerful identity provisions are found in Part 6 of the CI standard.

5.5.1.11 Access to several applications through the same BS

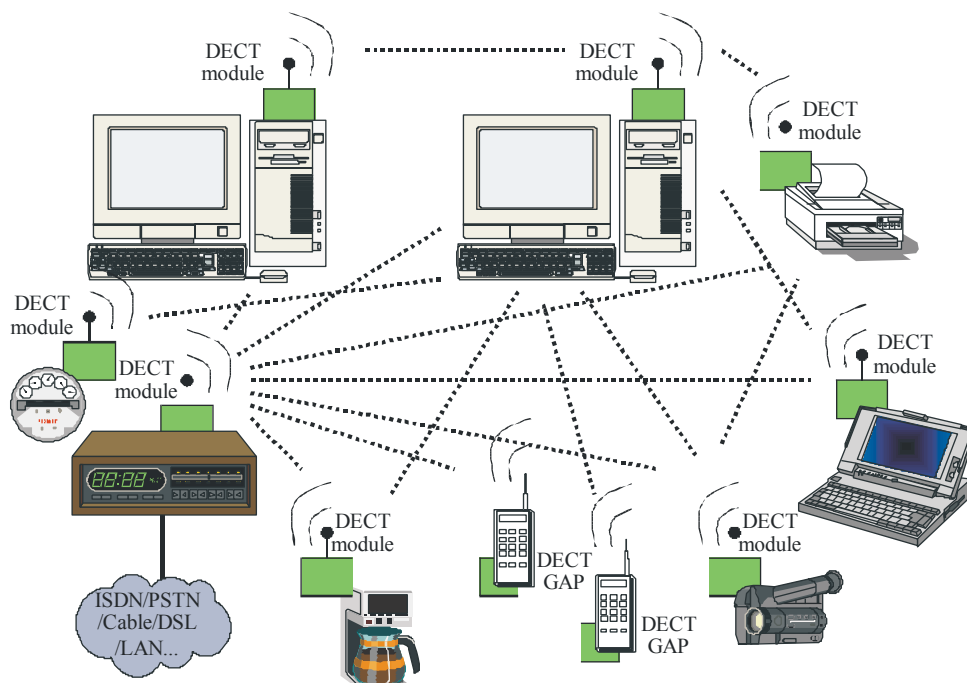
This radio interface also provides the means for sharing BS or systems between different operators or applications, e.g. hosting private user groups in a large public system, providing public access through a privately owned system, or hosting public access to several service providers in one system owned by one of the service providers.

5.5.1.12 DECT Packet Radio Service (DPRS)

This standard defines the requirements and procedures for packet data transport over the DECT air interface. It specifies the interworking to ISO/IEC 8802-3 (Ethernet), ISO/IEC 8802-5 (Token Ring), Internet Protocol (IP), Point-to-Point Protocol (PPP) and V.24. Figure 69 gives an example of a DECT wireless Ethernet LAN with Distributed Communication and additional voice capability.

FIGURE 69

DECT wireless ethernet (LAN) with distributed communication including voice capability



M.1457-69

5.5.1.13 DECT access to IP-networks

This technical specification defines how DECT can use mobile IP for roaming and how the DECT signalling can be interworked with the “Session Initiation Protocol” (SIP).

5.5.1.14 Open data access profile (ODAP)

This technical specification defines a common architecture and protocol to support home and industrial sensors, alarms, telematics and other machine-to-machine (M2M) messages.

The profile provides a low rate (up to 28 kbit/s) protected data service utilizing a single symmetric DECT channel with an option of switching the service to a high data rate.

5.5.1.15 New Generation DECT Part 1: Wideband Speech

This technical specification is the first part of a multi-part standard for “New Generation DECT”. It defines the DECT application profile for wideband speech. In traditional telephony applications the supported bandwidth is 3.1 kHz. Increasing the bandwidth from narrow-band (300 Hz-3 400 Hz) to at least 150 Hz-7 000 Hz range (“wideband”) will allow to increase the speech quality with a feeling of more transparent communication and an increased intelligibility and listening comfort. One typical usage of this profile is for voice over IP.

5.5.1.16 New Generation DECT Part 2: Support of transparent IP packet data

The document describes the packet-mode data service supporting Internet Protocol with efficient spectrum usage and high data rate. The aim is to guarantee a sufficient level of interoperability and to provide an easy route for development of DECT data applications, with the features of the document being a common fall-back option available in all equipment, which is compliant to this profile.

5.5.1.17 New Generation DECT Part 3: Extended Wideband Speech Services

The Part 3 “Extended wideband speech services” is defined as an extension of Part 1 “Wideband speech service”. All devices compliant to Part 3 specification shall implement at least all mandatory features defined in Part 1 “Wideband speech” and all mandatory features of the “Generic Access Profile (GAP)”.

The aim of the present document is to guarantee a sufficient level of interoperability and to provide an easy route for development of DECT wideband speech applications, with the features of the present document being a common fall-back option available in all equipment, which is compliant to this profile.

5.5.1.18 New Generation DECT Part 4: Light Data Services; Software Update Over The Air (SUOTA), content downloading and HTTP based applications

The Light Data Services defined by this document have been designed as a complement to voice service terminals. The services defined have been optimized to be a natural complement of New Generation DECT; Part 1: wideband speech, and New Generation DECT: Part 3: extended wideband speech services. The application scenario assumes that there is a data connection that allows the connectivity to external application servers that participate in the service from application point of view. Such data connectivity is typically via the Internet, however other scenarios of connectivity may exist.

5.5.1.19 DECT Ultra Low Energy (ULE); Machine to Machine Communications; Part 1: Home Automation Network (phase 1)

New features have been added to the DECT specification, to support additional applications especially in the area of machine-to-machine communications. DECT ULE provides bi-directional radio communication with medium range, data protection and ultra-low power consumption between different types of portable devices and Radio Fixed Parts.

5.5.1.20 Summary of major technical parameters

TABLE 9

| Technical parameter | Value | Reference to § 5.5.2 |
|---------------------------------|---|----------------------|
| Multiple access technique | TDMA | 5.5.2.2 |
| Duplexing scheme | TDD | 5.5.2.2 |
| Frame length | 10 ms | 5.5.2.2 |
| Number of time slots in a frame | 12 double slots 24 full slots 48 half slots | 5.5.2.2 |
| Modulation | GFSK, $\pi/2$ -DBPSK, $\pi/4$ -DQPSK, $\pi/8$ -D8PSK, 16-QAM, 64-QAM | 5.5.2.2 |
| RF bit rate | 1 152 kbit/s for 2-level modulation 2 304 kbit/s for 4-level modulation 3 456 kbit/s for 8-level modulation 4 608 kbit/s for 16-level modulation 6 912 kbit/s for 64-level modulation | 5.5.2.2 |
| Channel spacing | 1 728 kHz | 5.5.2.2 |
| Transmit power | Peak power Level 1: 2.5 mW (4 dBm) Level 2: 250 mW (24 dBm) | 5.5.2.2 |
| Frequency stability | For the portable part the centre frequency accuracy shall be within ± 50 kHz at extreme conditions either relative to an absolute frequency reference or relative to the received carrier, except during the first one second after the transition from the idle-locked state to the active-locked state the centre frequency accuracy shall be within ± 100 kHz at extreme conditions relative to the received carrier. At an RFP the transmitted RF carrier frequency corresponding to RF channel C shall be in the range $F_C \pm 50$ kHz at extreme conditions. The maximum rate of change of the centre frequency at both the RFP and the PP while transmitting, shall not exceed 15 kHz per slot. | 5.5.2.2 |
| Adjacent channel leakage power | 1 channel: 160 μ W 2 channel: 1 μ W 3 channel: 80 nW >3 channel: 40 nW | 5.5.2.2 |
| Transmit linearity requirements | The power level of intermodulation products that are on any of this standard's physical channel when any combination of the transmitters at a radio end point are in calls on the same slot on different frequencies shall be less than 1 μ W. The power level is defined by integration over the 1 MHz centred on the nominal centre frequency of the afflicted channel and averaged over the time period. | 5.5.2.2 |
| Reference sensitivity | better than -83 dBm -86 dBm for speech service according to Generic Access Profile (GAP) Sensitivity is measured at 1×10^{-3} raw BER | 5.5.2.2 5.5.2.11 |
| Intermodulation sensitivity | The level of the interfering signals is -48 dBm, wanted signal is -80 dBm and 1×10^{-3} raw BER | 5.5.2.2 |
| Spurious response and blocking | With the desired signal set at -80 dBm, the BER shall be maintained below 1×10^{-3} in the presence of any one of the signals shown in the table below; where: F_L and F_U : lower and the upper edges of the allocated frequency band; F_C : centre frequency of the allocated frequency band. | 5.5.2.2 |

| | Frequency | Interferer level for radiated measurements (dB(μV/m)) | Interferer level for conducted measurements (dBm) | |
|--------------------------------|---|---|---|---------------------------|
| | $25 \text{ MHz} < f < F_L - 100 \text{ MHz}$ | 120 | -23 | |
| | $F_L - 100 \text{ MHz} < f < F_L - 5 \text{ MHz}$ | 110 | -33 | |
| | $ f - F_C > 6 \text{ MHz}$ | 100 | -43 | |
| | F_U $+ 5 \text{ MHz} < f < F_U + 100 \text{ MHz}$ | 110 | -33 | |
| | $F_U + 100 \text{ MHz} < f < 12.75 \text{ GHz}$ | 120 | -23 | |
| Adjacent channel selectivity | With a received signal strength of -73 dBm (i.e. 70 dB(μV/m)) on RF channel M, the BER in the D-field shall be maintained better than 1×10^{-3} when a modulated, reference interferer of the indicated strength is introduced on the RF channels shown below: | | | 5.5.2.2 |
| | Interferer on RF channel Y | Interferer signal strength | | |
| | | (dB(μV/m)) | (dBm) | |
| | $Y = M$ | 59 | -84 | |
| | $Y = M \pm 1$ | 83 | -60 | |
| | $Y = M \pm 2$ | 104 | -39 | |
| $Y = \text{any other channel}$ | 110 | -33 | | |
| Handover | Seamless handover, mobile controlled, triggered when another BS becomes stronger. | | | 5.5.2.3, 5.5.2.4, 5.5.2.5 |
| Random access | Instant dynamic channel selection for every set-up using the least interfered channel measured at the mobile. | | | 5.5.2.3 |
| Pilot structure | Broadcast system information available on each active downlink, at least one downlink is active on every BS. | | | 5.5.2.3 |
| Dynamic channel allocation | Supported. | | | 5.5.2.3 |

5.5.2 Detailed specification of the radio interface

The standards contained in this section are derived from the global core specifications for IMT-2000 contained at <http://ties.itu.int/u/itu-r/ede/rsg5/IMT-2000/GCS/GCSrev12>. Only the specifications listed below are relevant to this Recommendation.

The following notes apply to the sections below, where indicated:

- 1) The relevant SDOs should make their reference material available from their Web site.
- 2) This information was supplied by the recognized external organizations and relates to their own deliverables of the transposed global core specification.

5.5.2.1 EN 300 175-1

Digital Enhanced Cordless Telecommunications (DECT); Common Interface (CI); Part 1: Overview

This standard gives an introduction and overview of the complete Digital Enhanced Cordless Telecommunications (DECT) Common Interface (CI). This part of the DECT CI contains an abstract of the other parts of the DECT standard together with a general description of the objectives of the present document; the DECT Common Interface and the protocol architecture of DECT. The present document also provides an extensive vocabulary, in particular it contains the common definitions of all the technical terms used in different parts of the present document.

| SDO (2) | Document No. | Version | Status | Issued date | Location (1) |
|---------|--------------------|---------|-----------|-------------|---|
| ETSI | EN 300 175-1V2.5.1 | | Published | 2013-08 | http://www.etsi.org/deliver/etsi_en/300100_300199/30017501/02.05.01_60/en_30017501v020501p.pdf |

5.5.2.2 EN 300 175-2

Digital Enhanced Cordless Telecommunications (DECT); Common Interface (CI); Part 2: Physical Layer (PHL)

This standard specifies the physical channel arrangements. The tasks of the PHL are to modulate and demodulate radio carriers with a bit stream of a defined rate to create a radio-frequency channel, to acquire and maintain bit and slot synchronization between transmitters and receivers, to transmit or receive a defined number of bits at a requested time and on a particular frequency, to add and remove the synchronization field and the Z-field used for rear end collision detection and to observe the radio environment to report signal strengths.

| SDO (2) | Document No. | Version | Status | Issued date | Location (1) |
|---------|--------------------|---------|-----------|-------------|---|
| ETSI | EN 300 175-2V2.5.1 | | Published | 2013-08 | http://www.etsi.org/deliver/etsi_en/300100_300199/30017502/02.05.01_60/en_30017502v020501p.pdf |

5.5.2.3 EN 300 175-3**Digital Enhanced Cordless Telecommunications (DECT); Common Interface (CI); Part 3: Medium Access Control (MAC) layer**

This standard specifies the Layer 2a of the DECT protocol stack. It defines three groups of MAC services: the broadcast message control service, the connectionless message control service and the multi-bearer control service. It also specifies the logical channels that are used by the above-mentioned services, and how they are multiplexed and mapped into the Service Data Units that are exchanged with the Physical Layer.

| SDO (2) | Document No. | Version | Status | Issued date | Location (1) |
|---------|--------------------|---------|-----------|-------------|---|
| ETSI | EN 300 175-3V2.5.1 | | Published | 2013-08 | http://www.etsi.org/deliver/etsi_en/300100_300199/30017503/02.05.01_60/en_30017503v020501p.pdf |

5.5.2.4 EN 300 175-4**Digital Enhanced Cordless Telecommunications (DECT); Common Interface (CI); Part 4: Data Link Control (DLC) layer**

This standard specifies the Layer 2b of the DECT protocol stack. Two planes of operation are specified for this DLC (sub)layer. These planes are called the Control plane (C-plane) and the User plane (U-plane). The C-plane is mostly concerned with the DECT signalling aspects. It provides a reliable point-to-point service that uses a link access protocol to offer error protected transmission of network layer messages. The C-plane also provides a separate point-to-multipoint (broadcast) service. The U-plane is only concerned with end-to-end user information. This plane contains most of the application dependent procedures of DECT. Several alternative services (both circuit-mode and packet-mode) are defined as a family of independent entities. Each service provides one or more point-to-point U-plane data links, where the detailed characteristics of those links are determined by the particular needs of each service. The defined services cover a wide range of performance, from unprotected with low delay for speech applications to highly protected with variable delay, for local area network applications.

| SDO (2) | Document No. | Version | Status | Issued date | Location (1) |
|---------|--------------------|---------|-----------|-------------|---|
| ETSI | EN 300 175-4V2.5.1 | | Published | 2013-08 | http://www.etsi.org/deliver/etsi_en/300100_300199/30017504/02.05.01_60/en_30017504v020501p.pdf |

5.5.2.5 EN 300 175-5**Digital Enhanced Cordless Telecommunications (DECT); Common Interface (CI); Part 5: Network (NWK) layer**

This standard specifies the Layer 3 of the DECT protocol stack. It contains the following groups of functions: Link Control Entity (LCE), Call Control (CC) entity, Call Independent Supplementary Services (CISS) entity, Connection Oriented Message Service (COMS) entity, Connectionless Message Service (CLMS) entity and the Mobility Management (MM) entity.

| SDO (2) | Document No. | Version | Status | Issued date | Location (1) |
|---------|--------------------|---------|-----------|-------------|---|
| ETSI | EN 300 175-5V2.5.1 | | Published | 2013-08 | http://www.etsi.org/deliver/etsi_en/300100_300199/30017505/02.05.01_60/en_30017505v020501p.pdf |

5.5.2.6 EN 300 175-6**Digital Enhanced Cordless Telecommunications (DECT); Common Interface (CI); Part 6: Identities and addressing**

This standard specifies the identities and addressing structure of the DECT Common Interface. There are four categories of identities defined, which are Fixed Part (FP), Portable Part (PP), connection-related, and equipment-related identities.

| SDO (2) | Document No. | Version | Status | Issued date | Location (1) |
|---------|--------------------|---------|-----------|-------------|---|
| ETSI | EN 300 175-6V2.5.1 | | Published | 2013-08 | http://www.etsi.org/deliver/etsi_en/300100_300199/30017506/02.05.01_60/en_30017506v020501p.pdf |

5.5.2.7 EN 300 175-7**Digital Enhanced Cordless Telecommunications (DECT); Common Interface (CI); Part 7: Security features**

This part of the DECT CI specifies the security architecture, the types of cryptographic algorithms required, the way in which they are to be used, and the requirements for integrating the security features provided by the architecture into the DECT CI. It also describes how the features can be managed and how they relate to certain DECT fixed systems and local network configurations. The security architecture is defined in terms of the security services which are to be supported at the CI, the mechanisms which are to be used to provide the services, and the cryptographic parameters, keys and processes which are associated with these mechanisms.

| SDO (2) | Document No. | Version | Status | Issued date | Location (1) |
|---------|--------------------|---------|-----------|-------------|---|
| ETSI | EN 300 175-7V2.5.1 | | Published | 2013-08 | http://www.etsi.org/deliver/etsi_en/300100_300199/30017507/02.05.01_60/en_30017507v020501p.pdf |

5.5.2.8 EN 300 175-8**Digital Enhanced Cordless Telecommunications (DECT); Common Interface (CI); Part 8: Speech coding and transmission**

This part of the DECT CI specifies the speech coding and transmission requirements. In order to ensure satisfactory interworking of different portable and fixed units, it is necessary to specify the transmission performance of the analogue information over the digital link. This requires not only use of a common speech algorithm, but also standardization of frequency responses, reference speech levels (or loudness) at the air interface and various other parameters.

| SDO (2) | Document No. | Version | Status | Issued date | Location (1) |
|---------|--------------------|---------|-----------|-------------|---|
| ETSI | EN 300 175-8V2.5.1 | | Published | 2013-08 | http://www.etsi.org/deliver/etsi_en/300100_300199/30017508/02.05.01_60/en_30017508v020501p.pdf |

5.5.2.9 EN 300 176-1**Digital Enhanced Cordless Telecommunications (DECT); Approval test specification; Part 1: Radio**

This standard specifies radio tests for DECT equipment. It covers testing of radio-frequency parameters, security elements and those DECT protocols that facilitate the radio-frequency tests and efficient use of frequency spectrum. The aims of this document are to ensure efficient use of frequency spectrum and that no harm is done to other radio networks and services.

| SDO (2) | Document No. | Version | Status | Issued date | Location (1) |
|---------|--------------------|---------|-----------|-------------|---|
| ETSI | EN 300 176-1V2.1.1 | | Published | 02/07/2009 | http://www.etsi.org/deliver/etsi_en/300100_300199/30017601/02.01.01_60/en_30017601v020101p.pdf |

5.5.2.10 EN 300 176-2**Digital Enhanced Cordless Telecommunications (DECT); Approval test specification; Part 2: Speech**

This standard specifies tests applicable to DECT speech transmission.

| SDO (2) | Document No. | Version | Status | Issued date | Location (1) |
|---------|--------------------|---------|-----------|-------------|---|
| ETSI | EN 300 176-2V2.2.1 | | Published | 2012-07 | http://www.etsi.org/deliver/etsi_en/300100_300199/30017602/02.02.01_60/en_30017602v020201p.pdf |

5.5.2.11 EN 300 444**Digital Enhanced Cordless Telecommunications (DECT); Generic Access Profile**

The objective of the standard is to ensure inter-operability of DECT equipment capable of 3.1 kHz telephony applications. The profile consists of the minimum mandatory requirements that allow a 3.1 kHz teleservice connection to be established, maintained and released between a Fixed Termination (FT) and a Portable Termination (PT) with the appropriate access rights.

| SDO (2) | Document No. | Version | Status | Issued date | Location (1) |
|---------|--------------|---------|-----------|-------------|---|
| ETSI | EN 300 444 | V2.4.1 | Published | 2013-07 | http://www.etsi.org/deliver/etsi_en/300400_300499/300444/02.04.01_60/en_300444v020401p.pdf |

5.5.2.12 EN 301 649**Digital Enhanced Cordless Telecommunications (DECT); DECT Packet Radio Service**

The document defines the standard for packet data services for Digital Enhanced Cordless Telecommunications (DECT) systems conforming to EN 300 175 Parts 1 to 7. It is the basis of profiles which define more specific applications, aimed at the connection of terminals supporting packet data services to a fixed infrastructure, both private and public.

| SDO (2) | Document No. | Version | Status | Issued date | Location (1) |
|---------|--------------|---------|-----------|-------------|---|
| ETSI | EN 301 649 | V2.2.1 | Published | 2012-02 | http://www.etsi.org/deliver/etsi_en/301600_301699/301649/02.02.01_60/en_301649v020201p.pdf |

5.5.2.13 TS 102 265**Digital Enhanced Cordless Telecommunications (DECT); DECT access to IP-networks**

The document specifies additional requirements for Digital Enhanced Cordless Telecommunications (DECT) Internet Protocol applications including networking aspects, voice over IP, SIP interworking, mobility and quality of service properties.

| SDO (2) | Document No. | Version | Status | Issued date | Location (1) |
|---------|--------------|---------|-----------|-------------|---|
| ETSI | TS 102 265 | V1.2.1 | Published | 04/10/2004 | http://www.etsi.org/deliver/etsi_ts/102200_102299/102265/01.02.01_60/ts_102265v010201p.pdf |

5.5.2.14 TS 102 342**Digital Enhanced Cordless Telecommunications (DECT); Cordless multimedia communication system; Open Data Access Profile (ODAP)**

The document defines a common architecture and protocol to support home and industrial sensors, alarms, telematics and other Machine-to-Machine (M2M) messages. The specification aims at ensuring low cost terminals and an easy to use application interface.

| SDO (2) | Document No. | Version | Status | Issued date | Location (1) |
|---------|--------------|---------|-----------|-------------|---|
| ETSI | TS 102 342 | V1.2.1 | Published | 29/09/2005 | http://www.etsi.org/deliver/etsi_ts/102300_102399/102342/01.02.01_60/ts_102342v010201p.pdf |

5.5.2.15 TS 102 527-1**Digital Enhanced Cordless Telecommunications (DECT); New Generation DECT; Part 1: Wideband Speech**

New Generation DECT improves audio quality by implementing wideband enhanced quality audio codecs. The document defines the wideband voice service for DECT with the aim to guarantee interoperability. All New Generation DECT wideband speech devices are backward compatible with traditional DECT voice devices.

| SDO (2) | Document No. | Version | Status | Issued date | Location (1) |
|---------|--------------|---------|-----------|-------------|---|
| ETSI | TS 102 527-1 | V1.3.1 | Published | 2012-01 | http://www.etsi.org/deliver/etsi_ts/102500_102599/10252701/01.03.01_60/ts_10252701v010301p.pdf |

5.5.2.16 TS 102 527-2**Digital Enhanced Cordless Telecommunications (DECT); New Generation DECT; Part 2: Support of transparent IP packet data**

The document describes the packet-mode data service supporting Internet Protocol with efficient spectrum usage and high data rate. The aim is to guarantee a sufficient level of interoperability and to provide an easy route for development of DECT data applications, with the features of the document being a common fall-back option available in all equipment, which is compliant to this profile.

| SDO (2) | Document No. | Version | Status | Issued date | Location (1) |
|---------|--------------|---------|-----------|-------------|---|
| ETSI | TS 102 527-2 | V1.1.1 | Published | 04/06/2007 | http://www.etsi.org/deliver/etsi_ts/102500_102599/10252702/01.01.01_60/ts_10252702v010101p.pdf |

5.5.2.17 TS 102 527-3**Digital Enhanced Cordless Telecommunications (DECT); New Generation DECT; Part 3: Extended Wideband Speech Services**

The Part 3 “Extended wideband speech services” is defined as an extension of Part 1 “Wideband speech service”. All devices compliant to Part 3 specification shall implement at least all mandatory features defined in Part 1 “Wideband speech” and all mandatory features of the “Generic Access Profile (GAP)”.

The aim of the present document is to guarantee a sufficient level of interoperability and to provide an easy route for development of DECT wideband speech applications, with the features of the present document being a common fall-back option available in all equipment, which is compliant to this profile.

| SDO (2) | Document No. | Version | Status | Issued date | Location (1) |
|---------|--------------|---------|-----------|-------------|---|
| ETSI | TS 102 527-3 | V1.5.1 | Published | 2013-03 | http://www.etsi.org/deliver/etsi_ts/102500_102599/10252703/01.05.01_60/ts_10252703v010501p.pdf |

5.5.2.18 TS 102 527-4**Digital Enhanced Cordless Telecommunications (DECT); New Generation DECT; Part 4: Light Data Services; Software Update Over The Air (SUOTA), content downloading and HTTP based applications**

The document specifies a medium rate data service supporting software update over the air, content downloading and HTTP based applications. The aim is to guarantee a sufficient level of interoperability and to provide an easy route for development of DECT data applications, with the features of the document being a common fall-back option available in all equipment, which is compliant to this profile.

| SDO (2) | Document No. | Version | Status | Issued date | Location (1) |
|---------|--------------|---------|-----------|-------------|---|
| ETSI | TS 102 527-4 | V1.1.1 | Published | 01/10/2009 | http://www.etsi.org/deliver/etsi_ts/102500_102599/10252704/01.01.01_60/ts_10252704v010101p.pdf |

5.5.2.19 TS 102 939-1**Digital Enhanced Cordless Telecommunications (DECT); Ultra Low Energy (ULE); Machine to Machine Communications; Part 1: Home Automation Network (phase 1)**

The document specifies the first set of functionalities of the ETSI radio technology named DECT Ultra Low Energy (ULE). DECT ULE provides bi-directional radio communication with medium range, data protection, and Ultra Low Power consumption between different types of Portable Devices and Radio Fixed Parts.

| SDO (2) | Document No. | Version | Status | Issued date | Location (1) |
|---------|--------------|---------|-----------|-------------|---|
| ETSI | TS 102 939-4 | V1.1.1 | Published | 01/04/2013 | http://www.etsi.org/deliver/etsi_ts/102900_102999/10293901/01.01.01_60/ts_10293901v010101p.pdf |

5.6 IMT-2000 OFDMA TDD WMAN

5.6.1 Overview of the set of radio interface FDD/TDD components

5.6.1.1 TDD component

5.6.1.1.1 Introduction

The IEEE standards relevant for IMT-2000 OFDMA TDD WMAN, designated as IEEE Std 802.16 and IEEE Std 802.16.1, are developed and maintained by the IEEE 802.16 Working Group on Broadband Wireless Access. They are published by the IEEE Standards Association (IEEE-SA) of the Institute of Electrical and Electronics Engineers (IEEE).

The radio interface technology specified in IEEE Standard 802.16 is flexible, for use in a wide variety of applications, operating frequencies, and regulatory environments. IEEE 802.16 includes multiple physical layer specifications, one of which is known as WirelessMAN-OFDMA. OFDMA TDD WMAN is a special case of WirelessMAN-OFDMA specifying a particular interoperable radio interface. The component of OFDMA TDD WMAN defined here operates in TDD mode.

The OFDMA TDD WMAN radio interface comprises the two lowest network layers – the physical layer (PHY) and the data link control layer (DLC). The lower element of the DLC is the medium access control layer (MAC); the higher element in the DLC is the logical link control layer (LLC). The PHY is based on orthogonal frequency division multiple access (OFDMA) suitable for use in a 5 MHz, 10 MHz, 7 MHz, or 8.75 MHz channel allocation. The MAC is based on a connection-oriented protocol designed for use in a point-to-multipoint configuration. It is designed to carry a wide range of packet-switched (typically IP-based) services while permitting fine and instantaneous control of resource allocation to allow full carrier-class Quality of Service (QoS) differentiation. In addition, a multihop relay (MR) specification details the functionality of relay stations in conjunction with multihop relay base stations in order to provide additional coverage or performance advantage. Also, a license-exempt (LE) specification delineates the improved mechanisms, as policies and MAC enhancements, to enable coexistence among LE systems based on OFDMA TDD WMAN and to facilitate the coexistence of such systems with primary users.

As a technological evolution of OFDMA TDD WMAN, WirelessMAN-Advanced has been introduced for providing the performance improvements necessary to support future advanced services and applications for next generation broadband mobile communications. WirelessMAN-Advanced incorporates innovative communications technologies such as multi-user MIMO (MU-MIMO), multicarrier operation, and cooperative communications, as well as femto-cells, self-organizing networks, and relays. It also supports scalable bandwidth operation up to 20 MHz.

5.6.1.1.2 Radio access network architecture

The OFDMA TDD WMAN radio interface is designed to carry packet-based traffic, including IP. It is flexible enough to support a variety of higher-layer network architectures for fixed, nomadic, or fully mobile use, with handover support. It can readily support functionality suitable for generic data as well as time-critical voice and multimedia services, broadcast and multicast services, and mandated regulatory services.

The radio interface standard specifies Layers 1 and 2; the specification of the higher network layers is not included. It offers the advantage of flexibility and openness at the interface between Layers 2 and 3 and it supports a variety of network infrastructures. The radio interface is compatible with the network architectures defined in ITU-T Recommendation Q.1701. In particular, a network architecture design to make optimum use of IEEE Standard 802.16 and the OFDMA TDD WMAN

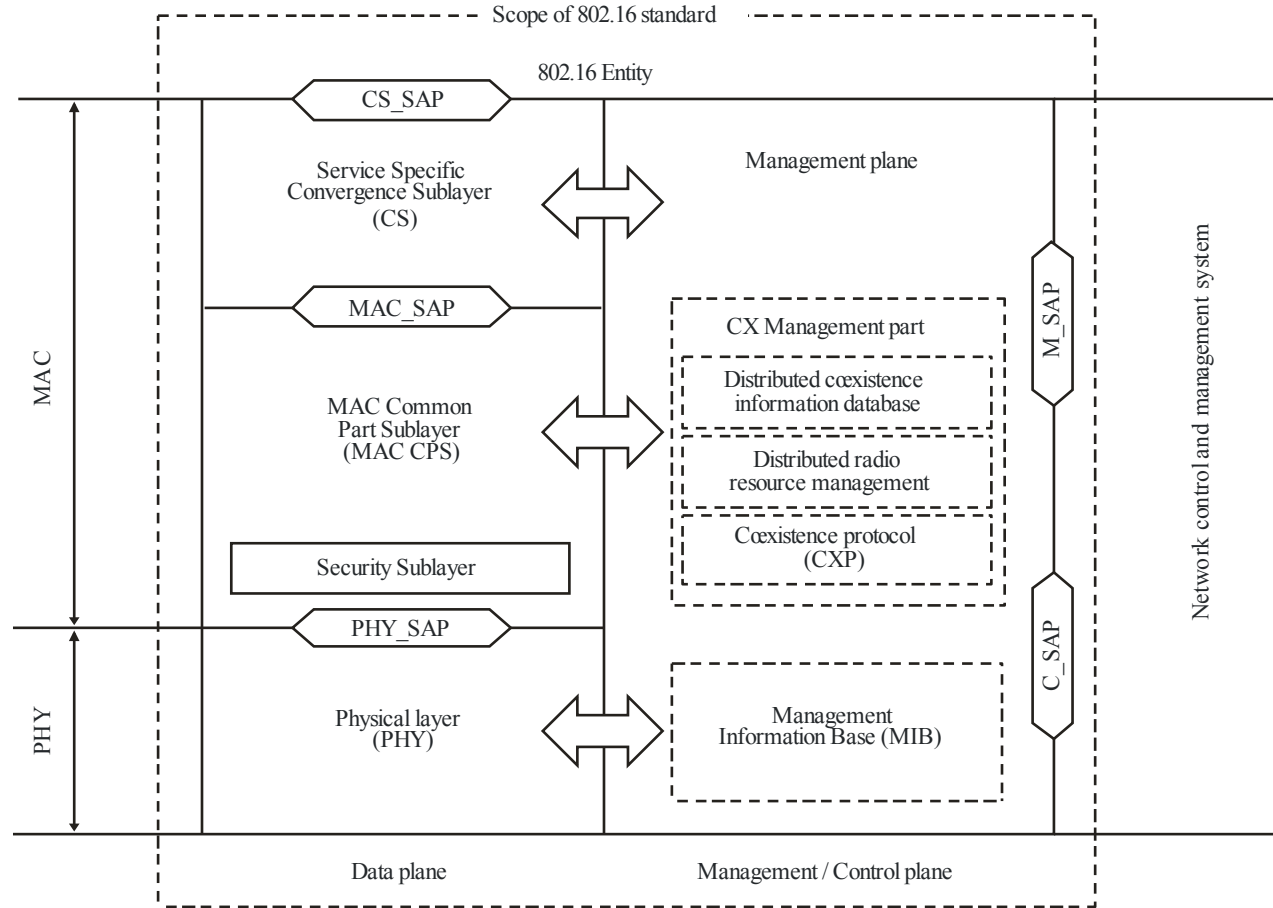
radio interface is described in the “WiMAX End to End Network Systems Architecture Stage 2-3”, available from the WiMAX Forum³.

The protocol layering is illustrated in Fig. 70. The MAC comprises three sub-layers.

The service-specific convergence sublayer (CS) provides any transformation or mapping of external network data, received through the CS service access point (SAP), into MAC service data units (SDUs) received by the MAC common part sublayer (CPS) through the MAC SAP. This includes classifying external network SDUs and associating them to the proper MAC service flow identifier (SFID) and connection identifier (CID). It may also include such functions as payload header suppression (PHS). Multiple CS specifications are provided for interfacing with various protocols. The internal format of the CS payload is unique to the CS, and the MAC CPS is not required to understand the format of or parse any information from the CS payload.

³ <http://www.wimaxforum.org/resources/documents/technical/release>

FIGURE 70
OFDMA TDD WMAN protocol layering, showing service access points (SAPs)



The MAC CPS provides the core MAC functionality of system access, bandwidth allocation, connection establishment, and connection maintenance. It receives data from the various CSs, through the MAC SAP, classified to particular MAC connections.

Quality of service (QoS) is applied to the transmission and scheduling of data over the PHY.

The MAC also contains a separate security sublayer providing authentication, secure key exchange, and encryption.

Data, PHY control, and statistics are transferred between the MAC CPS and the PHY via the PHY SAP (which is implementation specific).

The 802.16 devices can include Mobile Stations (MS) or Base Stations (BS). As the 802.16 devices may be part of a larger network and therefore would require interfacing with entities for management and control purposes, a Network Control and Management System (NCMS) abstraction has been introduced in this standard as a “black box” containing these entities. The NCMS abstraction allows the PHY/MAC layers specified in 802.16 to be independent of the network architecture, the transport network, and the protocols used at the backend and therefore allows greater flexibility. NCMS logically exists at BS side and MS side of the radio interface, termed NCMS(BS) and NCMS(MS), respectively. Any necessary inter-BS coordination is handled through the NCMS(BS).

This specification includes a Control SAP (C-SAP) and Management SAP (M-SAP) that expose control plane and management plane functions to upper layers. The NCMS uses the C-SAP and M-SAP to interface with the 802.16 entity. In order to provide correct MAC operation, NCMS shall be present within each MS. The NCMS is a layer independent entity that may be viewed as a management entity or control entity. General system management entities can perform functions through NCMS and standard management protocols can be implemented in the NCMS.

5.6.1.1.2.1 BS and MS Functionality

The system architecture consists of two logical entities, the base station (BS) and the mobile station (MS), with an optional relay station (RS). The basic architectural assumption is of a base station (BS) communicating in point-to-multipoint fashion with a number of fixed or mobile stations (MSs). The BS is connected to an IP-based backhaul network. It controls and allocates the resources in spectrum and time. Transmissions on the downlink (BS to MS) are divided in both time and frequency (using the multiple sub-carriers provide by OFDMA) for assigning communications to individual MSs. Transmissions on the uplink (from MS to BS) take place according to the schedule and in the sub-channels assigned by the BS.

In brief, the BS is responsible for:

- configuring and updating basic parameters;
- performing bandwidth allocation for DL (per connection) and UL traffic (per MS) and performing centralized QoS scheduling, based on the QoS/service parameters and the active resource requests from the MS;
- communicating to all MSs, through the maps, the schedule of each frame and supporting other data and management broadcast and multicast services;
- transmitting/receiving traffic data and control information as MAC protocol data units (PDUs);
- performing connection admission control and other connection management functions;
- providing other MS support services such as ranging, clock synchronization, power control, and handover.

The MS is responsible for:

- identifying the BS, obtaining MAC parameters, and joining the network;
- establishing basic connectivity, setting up additional data and management connections, and negotiating any optional parameters as needed;
- generating resource requests for connections that require them, based on the connection profiles and traffic;
- receiving broadcast/multicast PDUs and unicast PDUs and forwarding them appropriately;
- making local scheduling decisions based on the current demand and history of resource requests/grants;
- transmitting only when instructed by the BS to do so or the MS has some information that qualifies for transmission in one of the allowed contention slots;
- unless in sleep mode, receiving all schedule and channel information broadcast by the BS and obeying all medium access rules;
- performing initial ranging, maintenance ranging, power control, and other housekeeping functions.

Figure 70 is limited to describing a system including a BS and the MSs with which it communicates. However, the radio interface also provides specifications to allow handover of an MS from one BS to another. Such handover would typically occur as a mobile device moves toward an adjacent cell. However, it might also occur due to system-wide efforts at load balancing.

5.6.1.1.2.2 RS Functionality

Multihop relay (MR) is an optional deployment that may be used to provide additional coverage or performance advantage in an access network. In MR networks, the BS may be replaced by a multihop relay BS and one or more relay stations (RSs). Traffic and signalling between the MS and the multihop relay BS are relayed by the RS, thereby extending the coverage and performance of the system in areas where RSs are deployed. Each RS is under the supervision of a multihop relay BS. In a system providing more than two hops, traffic and signalling between an access RS and the multihop relay BS may also be relayed through intermediate RSs.

5.6.1.1.3 Layer 1: Physical layer (PHY)

The radio interface is a special case of the Wireless MAN-OFDMA air interface specified in § 8.4 of IEEE Standard 802.16. It uses orthogonal frequency-division multiple access (OFDMA), which is an extension of orthogonal frequency-division multiplexing (OFDM).

5.6.1.1.3.1 OFDMA technology overview

OFDM divides the channel by frequency into orthogonal sub-carriers. Data to be transmitted is divided into parallel streams of reduced data rate (and therefore longer symbol duration) and each stream is modulated and transmitted on a separate sub-carrier. The lengthened symbol duration improves the robustness of OFDM to delay spread. Furthermore, the introduction of a cyclic prefix (CP) eliminates intersymbol interference if the CP duration is longer than the channel delay spread.

In a typical OFDM implementation, all of the transmitter's sub-carriers are, at any given time, addressed to a single receiver; multiple access is provided solely by TDMA time slotting. OFDMA, however, divides the sub-carrier set into subsets, known as sub-channels. Each sub-channel can address a different receiver at any given time. In the downlink, each sub-channel may be intended for a different receiver or group of receivers. In the uplink, multiple MSs may transmit simultaneously as long as they are assigned different sub-channels.

Sub-carriers are used for three purposes:

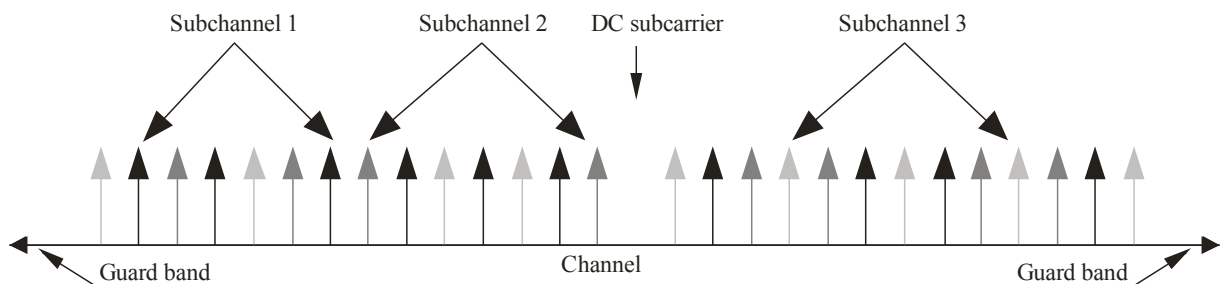
- Data transmission
- Pilot transmission, for various estimation purposes
- Null transmission, for guard bands and at DC.

The concept is illustrated in Fig. 71. As indicated, the sub-carriers forming one sub-channel need not be adjacent.

Sub-channelization is a multiple access technique. It provides OFDMA systems increased scheduling flexibility and a number of performance advantages, including enhanced scalability and advanced antenna array processing capabilities.

FIGURE 71

OFDMA frequency description, schematically showing three sub-channels



M.1457-71

5.6.1.1.3.2 OFDMA TDD WMAN physical layer details

The PHY utilizes OFDMA with either 512 sub-carriers in a 5 MHz channel or 1 024 sub-carriers in a 7 MHz or 10 MHz channel. In addition, 1 024 sub-carriers in a 8.75 MHz channel is also utilized for TDD. The primitive PHY parameters for TDD mode are listed in Table 10A.

TABLE 10A

OFDMA TDD WMAN primitive PHY parameters, TDD mode

| | | | | |
|---|----------------------|----------|----------------------|-------------------|
| FFT size (N_{FFT}) | 512 | 1 024 | 1 024 | 1024 |
| System channel bandwidth (BW) | 5 MHz | 10 MHz | 8.75 MHz | 7 MHz |
| Sampling frequency (F_s) | 5.6 MHz | 11.2 MHz | 10 MHz | 8 MHz |
| Sub-carrier frequency spacing ($\Delta f = F_s/N_{\text{FFT}}$) | 10.9375 kHz | | 9.77 kHz | 7.8125 kHz |
| Useful symbol time ($T_b = 1/\Delta f$) | ~91.43 μs | | ~102.4 μs | 128 μs |
| Guard (CP) time ($T_g = T_b/8$) | ~11.43 μs | | ~12.8 μs | 16 μs |
| OFDMA symbol duration ($T_s = T_b + T_g$) | ~102.9 μs | | ~115.2 μs | 144 μs |
| Frame duration | 5 ms | | 5 ms | 5 ms |
| OFDMA symbols per frame (including TTG and RTG) | ~48 | | ~43 | ~34 |
| OFDMA symbols per frame (excluding TTG and RTG) | 47 | | 42 | 33 |

5.6.1.1.3.3 Framing and sub-channelization

In the case of TDD, OFDMA TDD WMAN PHY utilizes a 5 ms TDD frame. The frame includes first downlink and then uplink sub-frames, divided by time gaps to allow the transceivers to switch between receive and transmit. The two gaps (TTG and RTG) are both included in the 5 ms duration.

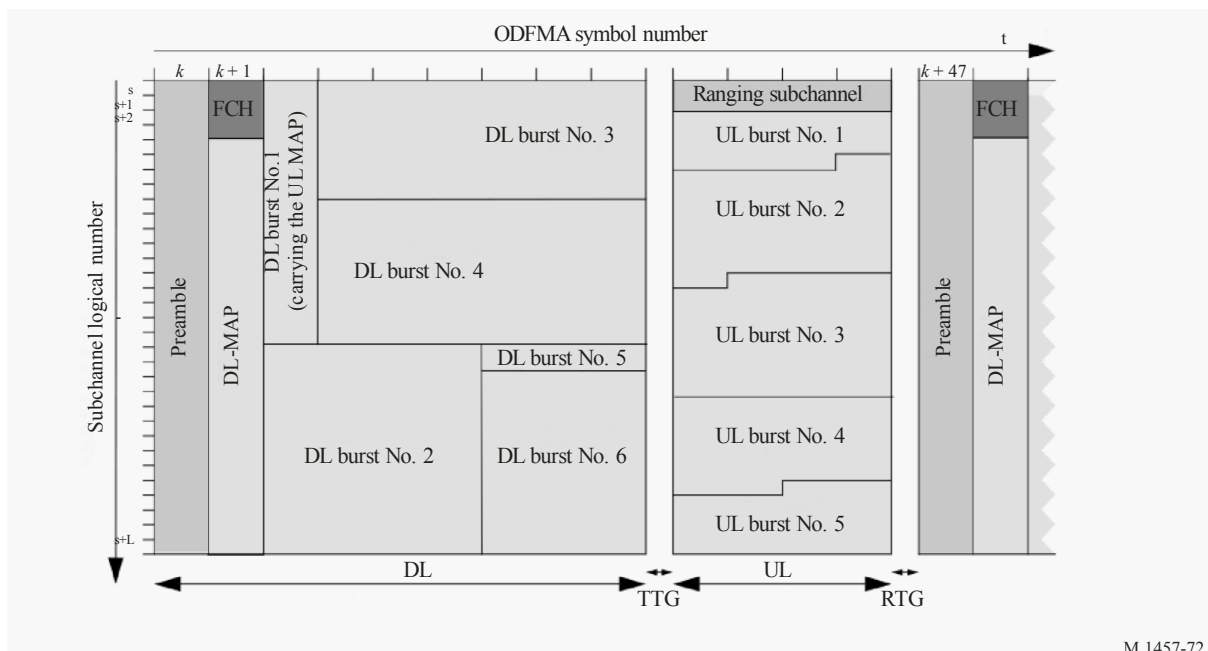
The asymmetry between the uplink and downlink sub-frame durations is configurable on a system-wide basis.

The TDD frame structure is illustrated schematically in Fig. 72A.

The frame is shown in two dimensions. The horizontal dimension represents time, which maps directly into the OFDM symbol sequence. The vertical dimension represents the list of available logical sub-channels. This maps into frequency, although only indirectly, since the sub-carriers in a given logical channel are not arranged in sequential order.

FIGURE 72A

Schematic illustration of TDD frame structure



M.1457-72

The frame begins with a preamble for synchronization. The following OFDM symbol contains the frame control header (FCH) and the downlink map (DL_MAP), transmitted simultaneously on different sub-channels. The FCH includes frame configuration data. The DL-MAP indicates the use of the DL sub-frame, in time and sub-channel allocation. The UL-MAP that follows provides similar information for the uplink, though the allocation is relevant not to the current frame but to a subsequent one, in order to allow the MS time to prepare an appropriate transmission or in accordance with the UL-MAP.

The construction of the sub-channel from individual sub-carriers is called the permutation. OFDMA TDD WMAN provides a number of possible permutations. The optimal choice depends on the deployment scenario and instantaneous circumstances; therefore, the permutation may differ from one OFDM symbol to the next. The specification supports a sequence of permutation zones in the frame, so that different mobile stations can be served with different permutations.

5.6.1.1.3.4 Adaptive modulation and coding

OFDMA TDD WMAN supports a variety of modulation and coding alternatives. The control is adaptive and dynamic, so that the BS may select different options for communicating with different MSs and may order the MS to alter the choices in order to optimize the trade-off of robustness versus capacity.

The BS selects the modulation from among QPSK, 16-QAM, and 64-QAM. For forward error correction, Convolutional Coding and Convolutional Turbo Coding with variable code rate and repetition coding are specified. Block Turbo Code and Low Density Parity Check Code (LDPC) are supported as optional features.

Data randomization is specified in order to reduce the peak-to-average power ratio. Interleaving is specified to increase frequency diversity.

5.6.1.1.3.5 Fast feedback and hybrid ARQ

OFDMA TDD WMAN specifies an uplink fast-feedback channel to provide time-critical PHY parameter data to the BS. Parameters include signal-to-noise ratio, MIMO coefficients, and MIMO configuration parameters.

Additional UL acknowledgment channels may be allocated by the BS to support hybrid automatic repeat request (HARQ).

5.6.1.1.4 Layer 2: Medium access control layer

The medium access control layer (MAC) functionality controls access to the medium, which in this case is the radio spectrum. The MAC is also responsible for basic functions such as data encapsulation, fragmentation, radio resource control, radio link control, error detection and retransmission, QoS, security, sleep mode, and handover.

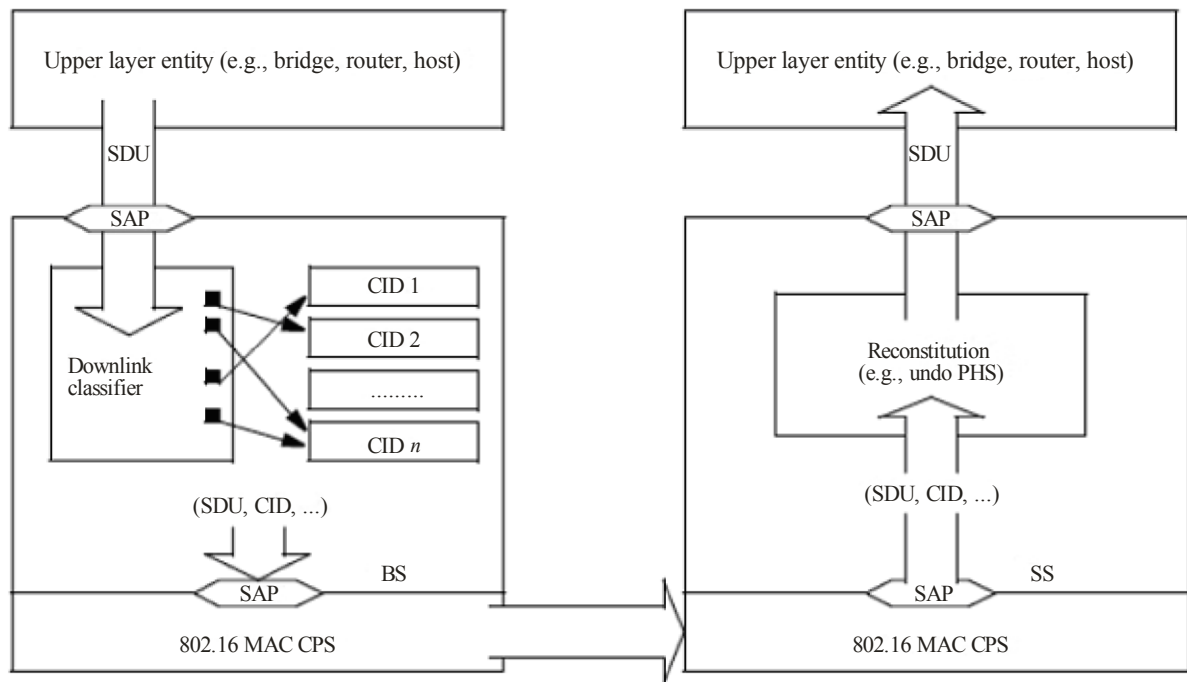
Although the radio interface is designed primarily to support a connectionless network layer, such as IP, the MAC is connection-oriented. All services, including inherently connectionless services, are mapped to a connection. The connection provides a mechanism for requesting resource allocation, associating QoS and traffic parameters, transporting and routing data, and all other actions associated with the terms of the service. A 16-bit connection identifier (CID) is assigned to designate each connection. The MAC uses the CID to identify all information exchanged between BS and MS, including management and broadcast data. The CID provides a simple and direct way to differentiate traffic. All MAC-level QoS functions, such as the classifier and QoS scheduler, use the CID to identify and differentiate traffic in order to maintain the service level and fairness among connections.

5.6.1.1.4.1 Convergence sub-layer

At the transmitter side, the Convergence sub-layer (CS) is responsible for transforming packet-based protocol data units from the higher layer protocol into MAC service data unit (SDUs), possibly using payload header suppression (PHS) to suppress some of the packet headers and reduce the burden of carrying them over the air. The CS then classifies each MAC SDU, assigning it to a particular connection, and passes it to the MAC CPS. At the receiver side, the CS is responsible for the inverse operations, including reassembly of packets into their original format with complete headers.

The CS contains a classification function that determines on which connection a particular packet shall be carried and which PHS rule applies for that packet. The operation is illustrated in Fig. 73, which shows the downlink case. Classifier parameters are configured during dynamic service signalling.

FIGURE 73

Classification and CID mapping (downlink)

M.1457-73

5.6.1.1.4.2 MAC common part sub-layer

The MAC common part sub-layer (CPS) is responsible for performing the core MAC functions. It receives MAC service data units (SDUs) from the CS and encapsulates them in its native MAC PDU format for transmission over the PHY. The MAC CPS also manages the transport connections and QoS, controlling access to the radio spectrum by the MSs.

Encapsulation may be as simple as adding necessary information to the SDU. However, the MAC CPS also has the possibility of dividing a single SDU into multiple fragments before transmission, for reassembly at the receiving MAC CPS. Fragmentation allows more efficient support of higher layer protocols with variable-size SDUs, given that the underlying PHY used a fixed frame size. The MAC CPS also has the complementary option to pack multiple higher layer payloads into a single PDU. Since MAC encapsulation introduces some fixed overhead per PDU, this can improve the efficiency of carrying small SDUs.

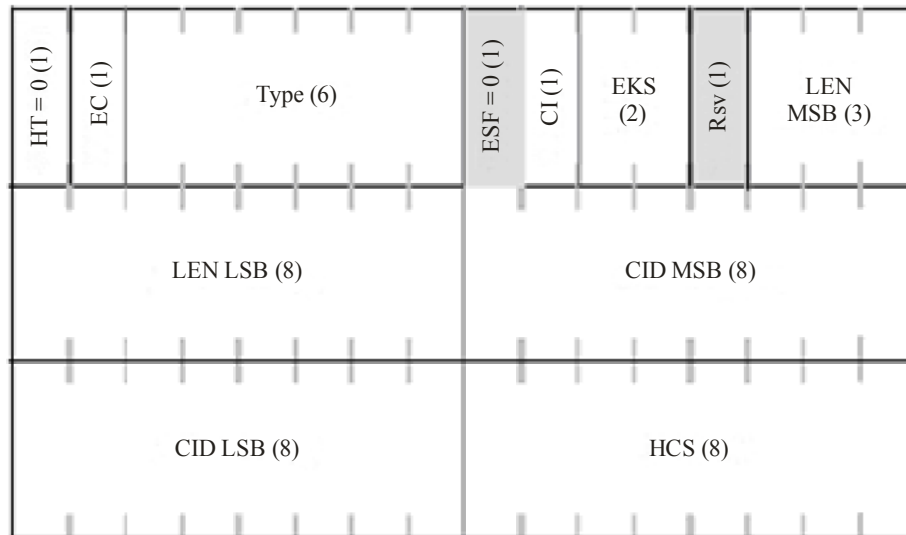
A MAC PDU consists of a six-byte MAC header, a variable-length payload, and an optional cyclic redundancy check. Four header formats, distinguished by the HT field, are defined. The generic header is shown in Fig. 74.

MAC PDUs generally contain either MAC management messages or convergence sub-layer data. However, one header type is reserved for uplink PDUs that contain no payload, conveying their information (such as a resource request) in the content of the header itself. Additional sub-headers are also defined. For example, the MS can use the grant management sub-header to convey bandwidth management needs to the BS. The fragmentation sub-header contains information that indicates the presence and orientation in the payload of any fragments of SDUs. The packing subheader is used to indicate the packing of multiple SDUs into a single PDU.

The grant management and fragmentation sub-headers may be inserted in MAC PDUs immediately following the generic header if so indicated by the Type field. The packing sub-header may be inserted before each MAC SDU if so indicated by the Type field.

FIGURE 74

Generic MAC header format



M.1457-74

5.6.1.1.4.2.1 Uplink scheduling services

The scheduling algorithm is not specified in the standard but is critical to efficient multimedia delivery when the BS supports a variety of disparate connections. The BS is presumed capable of scheduling its own downlink transmissions based on QoS information developed in the CS. Uplink scheduling is more complicated because, while resource allocation is under the control of the BS, only the MSs know in real time their immediate transmission demands.

In order to allow efficient QoS-based scheduling, a number of uplink scheduling services are defined, with a specific service assigned to each connection. The QoS categories are summarized in Table 11.

Resource requests, for transmission slots, are initiated by a specific connection at the MS. However, grants are allocated not to the connection but to the supporting MS. The MS is required to manage the slots allocated to it, assigning them to the multiple connections it supports. By distributing the management and permitting local resource allocation, over-the-air negotiation is minimized and rescheduling decisions are made more quickly and effectively.

5.6.1.1.4.2.2 Radio link control

As noted in § 5.6.1.3.2, OFDMA TDD WMAN supports adaptive modulation and coding. The MAC CPS is responsible for radio link control. This involves managing the modulation and coding selection at the MS through interactive message exchange based on monitoring the ratio of carrier signal to noise and interference.

TABLE 11

OFDMA TDD WMAN Uplink scheduling services

| QoS category | Typical applications | QoS specifications |
|---|--------------------------------------|--|
| UGS Unsolicited grant service | VoIP | Maximum sustained rate Maximum latency tolerance Jitter tolerance |
| rtPS Real-time packet service | Streaming audio or video | Minimum reserved rate Maximum sustained rate Maximum latency tolerance Traffic priority |
| ErtPS Extended real-time packet service | Voice with activity detection (VoIP) | Minimum reserved rate Maximum sustained rate Maximum latency tolerance Jitter tolerance Traffic priority |
| nrtPS Non-real-time packet service | File transfer protocol (FTP) | Minimum reserved rate Maximum sustained rate Traffic priority |
| BE Best-effort service | Data transfer, web browsing, etc. | Maximum sustained rate Traffic priority |

5.6.1.1.4.2.3 Energy conservation in the MS

The MAC CPS controls two energy-saving modes – Sleep Mode and Idle Mode – to conserve energy in the MS. During Sleep Mode, the MS observes pre-negotiated periods without transmission. Idle Mode is intended as a mechanism to allow the MS to become periodically available for DL broadcast messaging without registration at a specific BS as the MS traverses an air link environment populated by multiple BSs, typically over a large geographic area.

5.6.1.1.4.2.4 Handover

The MAC CPS supports optimized hard handover.

5.6.1.1.4.3 Security sub-layer

The security sub-layer, which operates between the PHY and the MAC CPS, is responsible for providing strong encryption, decryption, mutual authentication, and secure key exchange. Security is maintained as a separate sub-layer so that it may be upgraded as necessary. Also, the key functionality internal to the sub-layer is also modular, to provide easy maintenance upgrade. For example, the protocol provides a means of identifying one from a set of supported cryptographic suites, each of which specifies data encryption and authentication algorithms, and the rules for applying those algorithms to a MAC PDU payload.

The security sub-layer utilizes a security association (SA), which is a set of information shared between the transmitter and receiver. Each SA contains information on the cryptographic suite used for that SA and may also contain keys, such as the traffic encryption keys (TEKs), along with the key lifetimes and other associated state information. Prior to transmission, the MAC PDUs are mapped to an SA. The receiver uses the CID to determine the correct SA and applies the corresponding processing to the received PDU.

Device and user authentication use the IETF EAP protocol. OFDMA TDD WMAN encrypts user data using the AES-CCM cryptographic suite, with the Advanced Encryption Standard (AES) algorithm in the counter with CBC-MAC (CCM) mode, with 128-bit keys. The keys are generated using EAP authentication and managed by a Traffic Encryption Key (TEK) state machine. MAC management messages are AES encrypted and authenticated. A three-way handshake scheme is supported to optimize re-authentication during handover.

5.6.1.1.5 Smart antennas

OFDMA TDD WMAN specifies the use of smart antenna technologies, including antenna beamforming, space-time coding, and spatial multiplexing, which increase the cell size, data throughput, and spectral efficiency. These techniques reduce the sensitivity of the system to fading and multipath transmission effects.

5.6.1.1.6 Summary of major technical parameters

TABLE 12A
OFDMA TDD WMAN parameters and capabilities, TDD mode

| Parameter/Capability | Value | | | | IEEE 802.16 Subclause |
|---|---|---------|----------|-------|---|
| Duplex method | TDD | | | | § 8.4.4 |
| Physical layer mode | OFDMA | | | | § 8.4 |
| System channel bandwidth | 5 MHz | 10 MHz | 8.75 MHz | 7 MHz | § 8.4.1 |
| FFT size | 512 | 1 024 | 1 024 | 1024 | |
| Frame duration | 5 ms | 5 ms | 5 ms | | § 8.4.5.2 |
| Transmit transition gap (TTG) | 105.714 µs | 87.2 µs | 188 µs | | § 8.4.5.2 |
| Receive transition gap (RTG) | 60 µs | 74.4 µs | 60 µs | | § 8.4.5.2 |
| Modulation, downlink | QPSK, 16-QAM, 64-QAM | | | | § 8.4.9.4.2 |
| Modulation, uplink | QPSK, 16-QAM | | | | § 8.4.9.4.2 |
| Forward error correction coding | Convolutional Coding and Convolutional Turbo Coding | | | | §§ 8.4.9.2.1; 8.4.9.2.3 excluding § 8.4.9.2.3.5 |
| Encryption | AES-CCM, AES Key Wrap, 128-bit keys | | | | § 11.9.14 |
| Authentication | EAP | | | | § 11.8.4.2 |
| Privacy key management | PKMv2 | | | | § 7.2.2 |
| Management message integrity protection | CMAC | | | | § 7.5.4.4 |

5.6.1.1.7 LE operation

The non-exclusive nature of the license-exempt (LE) spectrum introduces additional interference and coexistence issues. Also, regulatory constraints limit the allowed radiated power as well as imposing other restrictions. The PHY and MAC introduce mechanisms to facilitate the detection, avoidance, and mitigation of interference among users including specific spectrum users identified by regulation. This includes a mechanism for regulatory compliance called dynamic frequency selection (DFS).

LE systems identify both victims and sources of interference and coordinate with neighbour systems in the interference community to proceed with interference prevention procedures. The LE base stations in all neighbouring systems within an interference community utilize interference information gathered on a coexistence control channel to negotiate the proper allocation of shared and dedicated channel access that minimizes co-channel interference. This negotiation uses subscriber stations to forward messages between the base stations, specifying coexistence primitives for communication over the infrastructure network.

The coexistence control channel is based on a series of globally synchronized time slots, divided into four subchannels dedicated for coexistence functions such as passive and active scanning of the radio environment, interferer identification, and interference resolution.

5.6.1.1.8 WirelessMAN-Advanced

An overview of the WirelessMAN-Advanced radio interface technology is provided in Annex 2 of Recommendation ITU-R M.2012.

5.6.1.2 FDD component

5.6.1.2.1 Introduction

The IEEE standards relevant for IMT-2000 OFDMA TDD WMAN, designated as IEEE Std 802.16 and IEEE Std 802.16.1, are developed and maintained by the IEEE 802.16 Working Group on Broadband Wireless Access. They are published by the IEEE Standards Association (IEEE-SA) of the Institute of Electrical and Electronics Engineers (IEEE).

The radio interface technology specified in IEEE Standard 802.16 is flexible, for use in a wide variety of applications, operating frequencies, and regulatory environments. IEEE 802.16 includes multiple physical layer specifications, one of which is known as WirelessMAN-OFDMA. OFDMA TDD WMAN is a special case of WirelessMAN-OFDMA specifying a particular interoperable radio interface. The component of OFDMA TDD WMAN defined here operates in FDD mode.

The OFDMA TDD WMAN radio interface comprises the two lowest network layers – the physical layer (PHY) and the data link control layer (DLC). The lower element of the DLC is the medium access control layer (MAC); the higher element in the DLC is the logical link control layer (LLC). The PHY is based on orthogonal frequency division multiple access (OFDMA) suitable for use in a 5 MHz, 10 MHz or 7 MHz channel allocation. The MAC is based on a connection-oriented protocol designed for use in a point-to-multipoint configuration. It is designed to carry a wide range of packet-switched (typically IP-based) services while permitting fine and instantaneous control of resource allocation to allow full carrier-class QoS differentiation. In addition, a multihop relay specification details the functionality of relay stations in conjunction with multihop relay base stations in order to provide additional coverage or performance advantage.

As a technological evolution of OFDMA TDD WMAN, WirelessMAN-Advanced has been introduced for providing the performance improvements necessary to support future advanced services and applications for next generation broadband mobile communications. WirelessMAN-Advanced incorporates innovative communications technologies such as multi-user MIMO (MU-MIMO), multicarrier operation, and cooperative communications, as well as femto-cells, self-organizing networks, and relays. It also supports scalable bandwidth operation up to 20 MHz.

5.6.1.2.2 Radio access network architecture

The OFDMA TDD WMAN radio interface is designed to carry packet-based traffic, including IP. It is flexible enough to support a variety of higher-layer network architectures for fixed, nomadic, or fully mobile use, with handover support.

It can readily support functionality suitable for generic data as well as time-critical voice and multimedia services, broadcast and multicast services, and mandated regulatory services.

The radio interface standard specifies Layers 1 and 2; the specification of the higher network layers is not included. It offers the advantage of flexibility and openness at the interface between Layers 2 and 3 and it supports a variety of network infrastructures. The radio interface is compatible with the network architectures defined in ITU-T Recommendation Q.1701. In particular, a network architecture design to make optimum use of IEEE Standard 802.16 and the OFDMA TDD WMAN radio interface is described in the “WiMAX End to End Network Systems Architecture Stage 2-3”, available from the WiMAX Forum⁴.

The protocol layering is illustrated in Fig. 70. The MAC comprises three sub-layers. The service-specific convergence sublayer (CS) provides any transformation or mapping of external network data, received through the CS service access point (SAP), into MAC service data units (SDUs) received by the MAC common part sublayer (CPS) through the MAC SAP. This includes classifying external network SDUs and associating them to the proper MAC service flow identifier (SFID) and connection identifier (CID). It may also include such functions as payload header suppression (PHS). Multiple CS specifications are provided for interfacing with various protocols. The internal format of the CS payload is unique to the CS, and the MAC CPS is not required to understand the format of or parse any information from the CS payload.

The MAC CPS provides the core MAC functionality of system access, bandwidth allocation, connection establishment, and connection maintenance. It receives data from the various CSs, through the MAC SAP, classified to particular MAC connections.

QoS is applied to the transmission and scheduling of data over the PHY.

The MAC also contains a separate security sublayer providing authentication, secure key exchange, and encryption.

Data, PHY control, and statistics are transferred between the MAC CPS and the PHY via the PHY SAP (which is implementation specific).

The 802.16 devices can include Mobile Stations (MS) or Base Stations (BS). As the 802.16 devices may be part of a larger network and therefore would require interfacing with entities for management and control purposes, a Network Control and Management System (NCMS) abstraction has been introduced in this standard as a “black box” containing these entities. The NCMS abstraction allows the PHY/MAC layers specified in 802.16 to be independent of the network architecture, the transport network, and the protocols used at the backend and therefore allows greater flexibility. NCMS logically exists at BS side and MS side of the radio interface, termed NCMS(BS) and NCMS(MS), respectively. Any necessary inter-BS coordination is handled through the NCMS(BS).

This specification includes a Control SAP (C-SAP) and Management SAP (M-SAP) that expose control plane and management plane functions to upper layers. The NCMS uses the C-SAP and M-SAP to interface with the 802.16 entity. In order to provide correct MAC operation, NCMS shall be present within each MS.

The NCMS is a layer independent entity that may be viewed as a management entity or control entity. General system management entities can perform functions through NCMS and standard management protocols can be implemented in the NCMS.

⁴ <http://www.wimaxforum.org/resources/documents/technical/release>.

5.6.1.2.2.1 BS and MS functionality

The system architecture consists of two logical entities, the base station (BS) and the mobile station (MS), with an optional relay station (RS). The basic architectural assumption is of a base station (BS) communicating in point-to-multipoint fashion with a number of fixed or mobile stations (MSs). The BS is connected to an IP-based backhaul network. It controls and allocates the resources in spectrum and time. Transmissions on the downlink (BS to MS) are divided in both time and frequency (using the multiple sub-carriers provide by OFDMA) for assigning communications to individual MSs. Transmissions on the uplink (from MS to BS) take place according to the schedule and in the sub-channels assigned by the BS.

In brief, the BS is responsible for:

- configuring and updating basic parameters;
- performing bandwidth allocation for DL (per connection) and UL traffic (per MS) and performing centralized QoS scheduling, based on the QoS/service parameters and the active resource requests from the MS;
- communicating to all MSs, through the maps, the schedule of each frame and supporting other data and management broadcast and multicast services;
- transmitting/receiving traffic data and control information as MAC protocol data units (PDUs);
- performing connection admission control and other connection management functions;
- providing other MS support services such as ranging, clock synchronization, power control, and handover.

The MS is responsible for:

- identifying the BS, obtaining MAC parameters, and joining the network;
- establishing basic connectivity, setting up additional data and management connections, and negotiating any optional parameters as needed;
- generating resource requests for connections that require them, based on the connection profiles and traffic;
- receiving broadcast/multicast PDUs and unicast PDUs and forwarding them appropriately;
- making local scheduling decisions based on the current demand and history of resource requests/grants;
- transmitting only when instructed by the BS to do so or the MS has some information that qualifies for transmission in one of the allowed contention slots;
- unless in sleep mode, receiving all schedule and channel information broadcast by the BS and obeying all medium access rules;
- performing initial ranging, maintenance ranging, power control, and other housekeeping functions.

Figure 70 is limited to describing a system including a BS and the MSs with which it communicates. However, the radio interface also provides specifications to allow handover of an MS from one BS to another. Such handover would typically occur as a mobile device moves toward an adjacent cell. However, it might also occur due to system-wide efforts at load balancing.

5.6.1.1.2.2 RS functionality

Multihop relay (MR) is an optional deployment that may be used to provide additional coverage or performance advantage in an access network. In MR networks, the BS may be replaced by a multihop relay BS and one or more relay stations (RSs). Traffic and signalling between the MS and the multihop

relay BS are relayed by the RS, thereby extending the coverage and performance of the system in areas where RSs are deployed. Each RS is under the supervision of a multihop relay BS. In a system providing more than two hops, traffic and signalling between an access RS and the multihop relay BS may also be relayed through intermediate RSs.

5.6.1.2.3 Layer 1: Physical layer (PHY)

The radio interface is a special case of the Wireless MAN-OFDMA air interface specified in § 8.4 of IEEE Standard 802.16. It uses orthogonal frequency-division multiple access (OFDMA), which is an extension of orthogonal frequency-division multiplexing (OFDM).

5.6.1.2.3.1 OFDMA technology overview

OFDM divides the channel by frequency into orthogonal sub-carriers. Data to be transmitted is divided into parallel streams of reduced data rate (and therefore longer symbol duration) and each stream is modulated and transmitted on a separate sub-carrier. The lengthened symbol duration improves the robustness of OFDM to delay spread. Furthermore, the introduction of a cyclic prefix (CP) eliminates intersymbol interference if the CP duration is longer than the channel delay spread.

In a typical OFDM implementation, all of the transmitter's sub-carriers are, at any given time, addressed to a single receiver; multiple access is provided solely by TDMA time slotting. OFDMA, however, divides the sub-carrier set into subsets, known as sub-channels. Each sub-channel can

address a different receiver at any given time. In the downlink, each sub-channel may be intended for a different receiver or group of receivers. In the uplink, multiple MSs may transmit simultaneously as long as they are assigned different sub-channels.

Sub-carriers are used for three purposes:

- Data transmission.
- Pilot transmission, for various estimation purposes.
- Null transmission, for guard bands and at DC.

The concept is illustrated in Fig. 71. As indicated, the sub-carriers forming one sub-channel need not be adjacent.

Sub-channelization is a multiple access technique. It provides OFDMA systems increased scheduling flexibility and a number of performance advantages, including enhanced scalability and advanced antenna array processing capabilities.

5.6.1.2.3.2 OFDMA TDD WMAN physical layer details

The PHY utilizes OFDMA with either 512 sub-carriers in a 5 MHz channel or 1 024 sub-carriers in a 7 MHz or 10 MHz channel. The primitive PHY parameters for FDD mode are listed in Table 10B.

TABLE 10B

OFDMA TDD WMAN primitive PHY parameters, FDD mode

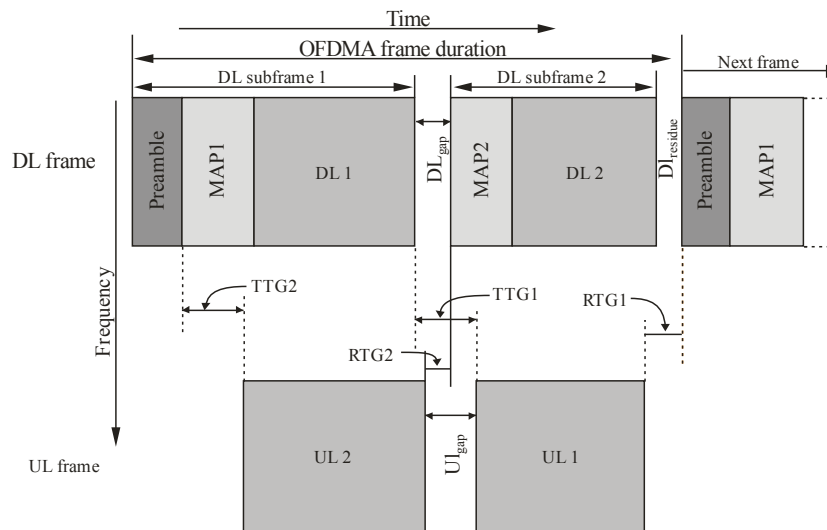
| | | | |
|--|----------------|----------|-------------|
| FFT size (NFFT) | 512 | 1 024 | 1024 |
| System channel bandwidth (BW) | 5 MHz | 10 MHz | 7 MHz |
| Sampling frequency (F_s) | 5.6 MHz | 11.2 MHz | 8 MHz |
| Sub-carrier frequency spacing ($\Delta f = F_s/N_{FFT}$) | 10.9375 kHz | | 7.8125 kHz |
| Useful symbol time ($T_b = 1/\Delta f$) | ~91.43 μ s | | 128 μ s |
| Guard (CP) time ($T_g = T_b/8$) | ~11.43 μ s | | 16 μ s |
| OFDMA symbol duration ($T_s = T_b + T_g$) | ~102.9 μ s | | 144 μ s |
| Frame duration | 5 ms | | 5 ms |
| OFDMA symbols per frame | ~48 | | ~34 |

5.6.1.2.3.3 Framing and sub-channelization

The FDD frame structure is illustrated in Fig. 72B. This frame structure can concurrently supports both Full Duplex FDD (F-FDD) and Half Duplex FDD (H-FDD) Mobile Stations. The frame is partitioned using MAP1 and MAP2 control structures for H-FDD Mobile Stations.

FIGURE 72B

Schematic illustration of FDD frame structure



M.1457-72b

For systems that serve only F-FDD MSs, the frame structure is configured by allocating the whole down link and uplink frames to the F-FDD MSs without partitioning of frames.

5.6.1.2.3.4 Adaptive modulation and coding

OFDMA TDD WMAN supports a variety of modulation and coding alternatives. The control is adaptive and dynamic, so that the BS may select different options for communicating with different MSs and may order the MS to alter the choices in order to optimize the trade-off of robustness versus capacity.

The BS selects the modulation from among QPSK, 16-QAM, and 64-QAM. For forward error correction, Convolutional Coding and Convolutional Turbo Coding with variable code rate and repetition coding are specified. Block Turbo Code and Low Density Parity Check Code (LDPC) are supported as optional features.

Data randomization is specified in order to reduce the peak-to-average power ratio. Interleaving is specified to increase frequency diversity.

5.6.1.2.3.5 Fast feedback and hybrid ARQ

OFDMA TDD WMAN specifies an uplink fast-feedback channel to provide time-critical PHY parameter data to the BS. Parameters include signal-to-noise ratio, MIMO coefficients, and MIMO configuration parameters.

Additional UL acknowledgment channels may be allocated by the BS to support hybrid automatic repeat request (HARQ).

5.6.1.2.4 Layer 2: Medium access control layer

The medium access control layer (MAC) functionality controls access to the medium, which in this case is the radio spectrum. The MAC is also responsible for basic functions such as data encapsulation, fragmentation, radio resource control, radio link control, error detection and retransmission, QoS, security, sleep mode, and handover.

Although the radio interface is designed primarily to support a connectionless network layer, such as IP, the MAC is connection-oriented. All services, including inherently connectionless services, are mapped to a connection. The connection provides a mechanism for requesting resource allocation, associating QoS and traffic parameters, transporting and routing data, and all other actions associated with the terms of the service. A 16-bit connection identifier (CID) is assigned to designate each connection. The MAC uses the CID to identify all information exchanged between BS and MS, including management and broadcast data. The CID provides a simple and direct way to differentiate traffic. All MAC-level QoS functions, such as the classifier and QoS scheduler, use the CID to identify and differentiate traffic in order to maintain the service level and fairness among connections.

5.6.1.2.4.1 Convergence sub-layer (CS)

At the transmitter side, the Convergence sub-layer is responsible for transforming packet-based protocol data units from the higher layer protocol into MAC service data unit (SDUs), possibly using payload header suppression (PHS) to suppress some of the packet headers and reduce the burden of carrying them over the air. The CS then classifies each MAC SDU, assigning it to a particular connection, and passes it to the MAC CPS. At the receiver side, the CS is responsible for the inverse operations, including reassembly of packets into their original format with complete headers.

The CS contains a classification function that determines on which connection a particular packet shall be carried and which PHS rule applies for that packet. The operation is illustrated in Fig. 73, which shows the downlink case. Classifier parameters are configured during dynamic service signalling.

5.6.1.2.4.2 MAC common part sub-layer

The MAC common part sub-layer (CPS) is responsible for performing the core MAC functions. It receives MAC service data units (SDUs) from the CS and encapsulates them in its native MAC PDU format for transmission over the PHY. The MAC CPS also manages the transport connections and QoS, controlling access to the radio spectrum by the MSs.

Encapsulation may be as simple as adding necessary information to the SDU. However, the MAC CPS also has the possibility of dividing a single SDU into multiple fragments before transmission, for reassembly at the receiving MAC CPS. Fragmentation allows more efficient support of higher layer protocols with variable-size SDUs, given that the underlying PHY used a fixed frame size. The MAC CPS also has the complementary option to pack multiple higher layer payloads into a single PDU. Since MAC encapsulation introduces some fixed overhead per PDU, this can improve the efficiency of carrying small SDUs.

A MAC PDU consists of a six-byte MAC header, a variable-length payload, and an optional cyclic redundancy check. Four header formats, distinguished by the HT field, are defined. The generic header is shown in Fig. 74.

MAC PDUs generally contain either MAC management messages or convergence sub-layer data. However, one header type is reserved for uplink PDUs that contain no payload, conveying their information (such as a resource request) in the content of the header itself. Additional sub-headers are also defined. For example, the MS can use the grant management sub-header to convey bandwidth management needs to the BS. The fragmentation sub-header contains information that indicates the presence and orientation in the payload of any fragments of SDUs. The packing subheader is used to indicate the packing of multiple SDUs into a single PDU. The grant management and fragmentation sub-headers may be inserted in MAC PDUs immediately following the generic header if so indicated by the Type field. The packing sub-header may be inserted before each MAC SDU if so indicated by the Type field.

5.6.1.2.4.2.1 Uplink scheduling services

The scheduling algorithm is not specified in the standard but is critical to efficient multimedia delivery when the BS supports a variety of disparate connections. The BS is presumed capable of scheduling its own downlink transmissions based on QoS information developed in the CS. Uplink scheduling is more complicated because, while resource allocation is under the control of the BS, only the MSs know in real time their immediate transmission demands.

In order to allow efficient QoS-based scheduling, a number of uplink scheduling services are defined, with a specific service assigned to each connection. The QoS categories are summarized in Table 11.

Resource requests, for transmission slots, are initiated by a specific connection at the MS. However, grants are allocated not to the connection but to the supporting MS. The MS is required to manage the slots allocated to it, assigning them to the multiple connections it supports. By distributing the management and permitting local resource allocation, over-the-air negotiation is minimized and rescheduling decisions are made more quickly and effectively.

5.6.1.2.4.2.2 Radio link control

As noted in § 5.6.1.3.2, OFDMA TDD WMAN supports adaptive modulation and coding. The MAC CPS is responsible for radio link control. This involves managing the modulation and coding selection at the MS through interactive message exchange based on monitoring the ratio of carrier signal to noise and interference.

TABLE 11

OFDMA TDD WMAN Uplink scheduling services

| QoS category | Typical applications | QoS specifications |
|---|--------------------------------------|--|
| UGS Unsolicited grant service | VoIP | Maximum sustained rate Maximum latency tolerance Jitter tolerance |
| rtPS Real-time packet service | Streaming audio or video | Minimum reserved rate Maximum sustained rate Maximum latency tolerance Traffic priority |
| ErtPS Extended real-time packet service | Voice with activity detection (VoIP) | Minimum reserved rate Maximum sustained rate Maximum latency tolerance Jitter tolerance Traffic priority |
| nrtPS Non-real-time packet service | File transfer protocol (FTP) | Minimum reserved rate Maximum sustained rate Traffic priority |
| BE Best-effort service | Data transfer, web browsing, etc. | Maximum sustained rate Traffic priority |

5.6.1.2.4.2.3 Energy conservation in the MS

The MAC CPS controls two energy-saving modes – Sleep Mode and Idle Mode – to conserve energy in the MS. During Sleep Mode, the MS observes pre-negotiated periods without transmission. Idle Mode is intended as a mechanism to allow the MS to become periodically available for DL broadcast messaging without registration at a specific BS as the MS traverses an air link environment populated by multiple BSs, typically over a large geographic area.

5.6.1.2.4.2.4 Handover

The MAC CPS supports optimized hard handover.

5.6.1.2.4.3 Security sub-layer

The security sub-layer, which operates between the PHY and the MAC CPS, is responsible for providing strong encryption, decryption, mutual authentication, and secure key exchange. Security is maintained as a separate sub-layer so that it may be upgraded as necessary. Also, the key functionality internal to the sub-layer is also modular, to provide easy maintenance upgrade. For example, the protocol provides a means of identifying one from a set of supported cryptographic suites, each of which specifies data encryption and authentication algorithms, and the rules for applying those algorithms to a MAC PDU payload.

The security sub-layer utilizes a security association (SA), which is a set of information shared between the transmitter and receiver. Each SA contains information on the cryptographic suite used for that SA and may also contain keys, such as the traffic encryption keys (TEKs), along with the key lifetimes and other associated state information. Prior to transmission, the MAC PDUs are mapped to an SA. The receiver uses the CID to determine the correct SA and applies the corresponding processing to the received PDU.

Device and user authentication use the IETF EAP protocol. OFDMA TDD WMAN encrypts user data using the AES-CCM cryptographic suite, with the Advanced Encryption Standard (AES) algorithm in the counter with CBC-MAC (CCM) mode, with 128-bit keys. The keys are generated using EAP

authentication and managed by a Traffic Encryption Key (TEK) state machine. MAC management messages are AES encrypted and authenticated. A three-way handshake scheme is supported to optimize re-authentication during handover.

5.6.1.2.5 Smart antennas

OFDMA TDD WMAN specifies the use of smart antenna technologies, including antenna beamforming, space-time coding, and spatial multiplexing, which increase the cell size, data throughput, and spectral efficiency. These techniques reduce the sensitivity of the system to fading and multipath transmission effects.

5.6.1.2.6 Summary of major technical parameters

TABLE 12B
OFDMA TDD WMAN parameters and capabilities, FDD mode

| Parameter/Capability | Value | | | IEEE 802.16 Subclause |
|--|---|--------|-------|---|
| Duplex method | FDD | | | § 8.4.4 |
| Physical layer mode | OFDMA | | | § 8.4 |
| System channel bandwidth (Uplink/Downlink) | 5 MHz | 10 MHz | 7 MHz | § 8.4.1 |
| FFT size | 512 | 1 024 | 1 024 | |
| Frame duration | 5 ms | | | |
| Modulation, downlink | QPSK, 16-QAM, 64-QAM | | | § 8.4.5.2 |
| Modulation, uplink | QPSK, 16-QAM | | | § 8.4.9.4.2 |
| Forward error correction coding | Convolutional coding and convolutional turbo coding | | | § 8.4.9.4.2 |
| Encryption | AES-CCM, AES Key Wrap, 128-bit keys | | | §§ 8.4.9.2.1; 8.4.9.2.3 excluding § 8.4.9.2.3.5 |
| Authentication | EAP | | | § 11.9.14 |
| Privacy key management | PKMv2 | | | § 11.8.4.2 |
| Management message integrity protection | CMAC | | | § 7.2.2 |

5.6.1.2.7 WirelessMAN-Advanced

An overview of the WirelessMAN-Advanced radio interface technology is provided in Recommendation ITU-R M.2012.

5.6.2 Detailed specification of the set of radio interface FDD/TDD components

5.6.2.1 TDD component

The standards contained in this section are derived from the global core specifications for IMT2000 contained at <http://ties.itu.int/u/itu-r/ede/rsg5/IMT-2000/GCS/GCSrev12>. Only the specifications listed below are relevant to this Recommendation.

The following notes apply to the sections below, where indicated:

1. The relevant SDOs should make their reference material available from their website.
2. This information was supplied by the recognized external organizations and relates to their own deliverables of the transposed global core specification.

The entries in the Tables in the elements of § 5.6.2.1.x.2 that contain “Y” or interoperable options (IO-BF or IO-MIMO) are part of the detailed specifications for OFDMA TDD WMAN. The “N” entries in the Tables in the elements of § 5.6.2.1.x.2 are for information only and are not included in the OFDMA TDD WMAN specification. The specifications for OFDMA TDD WMAN are provided in the elements of § 5.6.2.1.x.1 that are specifically included in the corresponding elements of § 5.6.2.1.x.2. Anything in § 5.6.2.1.x.1 that is not mentioned in § 5.6.2.1.x.2 is excluded.

5.6.2.1.1 Release 1

5.6.2.1.1.1 IEEE Std 802.16: Standard for local and metropolitan area networks – Air interface for broadband wireless access systems

This standard specifies the air interface, including the medium access control layer (MAC) and physical layer (PHY), of combined fixed and mobile point-to-multipoint broadband wireless access (BWA) systems providing multiple services. The MAC is structured to support multiple PHY specifications, each suited to a particular operational environment.

5.6.2.1.1.1.1 IEEE Std 802.16-2004

IEEE Standard for local and metropolitan area networks – Part 16: Air interface for fixed broadband wireless access systems

This revised standard specifies the air interface, including the medium access control layer and multiple physical layer specifications, of fixed BWA systems supporting multiple services. It consolidates IEEE Std 802.16™, IEEE Std 802.16a™, and IEEE Std 802.16c™, retaining all modes and major features without adding modes. Content is added or revised to improve performance, ease deployment, or replace incorrect, ambiguous, or incomplete material, including system profiles.

| SDO | Document No. | Status | Issued date | Location |
|------|----------------------|---|-------------|---|
| IEEE | IEEE Std 802.16-2004 | Published; superseded by □ IEEE Std 802.16-2009 | 20041001 | http://standards.ieee.org/getieee802/802.16.html |

5.6.2.1.1.1.2 IEEE Std 802.16e-2005 and Cor1

IEEE Standard for local and metropolitan area networks – Part 16: Air interface for fixed and mobile broadband wireless access systems – Amendment 2: Physical and medium access control layers for combined fixed and mobile operation in licensed bands

This document provides enhancements to IEEE Std 802.16-2004 to support subscriber stations moving at vehicular speeds and thereby specifies a system for combined fixed and mobile broadband wireless access. Functions to support higher layer handover between base stations or sectors are specified. Operation is limited to licensed bands suitable for mobility below 6 GHz. Fixed IEEE 802.16 subscriber capabilities are not compromised. In addition to mobility enhancements, this document contains substantive corrections to IEEE 802.16-2004 regarding fixed operation.

| SDO | Document No. | Status | Issued date | Location |
|------|---------------------------|---|-------------|---|
| IEEE | IEEE 802.16e2005 and Cor1 | Published; superseded by IEEE Std 802.16-2009 | 2006-02-28 | http://standards.ieee.org/getieee802/802.16.html |

5.6.2.1.1.1.3 IEEE Std 802.16f-2005

IEEE Standard for local and metropolitan area networks – Part 16: Air interface for fixed broadband wireless access systems – Amendment 1: Management information base)

This document provides enhancements to IEEE Std 802.16-2004 to define a management information base (MIB) for the MAC and PHY and associated management procedures.

| SDO | Document No. | Status | Issued date | Location |
|------|-----------------------|---|-------------|---|
| IEEE | IEEE Std 802.16f-2005 | Published; superseded by IEEE Std 802.16-2009 | 2005-12-01 | http://standards.ieee.org/getieee802/802.16.html |

5.6.2.1.1.2 WiMAX Forum® Profile

The complete WiMAX Forum® Mobile System Profile, Release 1 is included in the following volume.

5.6.2.1.1.2.1 WiMAX Forum® Mobile System Profile Release 1 – IMT-2000 Edition

This provides the complete WiMAX Forum® Mobile System Profile, Release 1.

| SDO | Document No. | Status | Issued date | Location |
|-------------|---------------------|-----------|-------------|---|
| WiMAX Forum | WMF-T23-001-R010v11 | Published | 2012-04-16 | http://www.wimaxforum.org/sites/wimaxforum.org/files/technical_document/2012/04/WMF-T23-001-R010v11_MSP.pdf |
| WiMAX Forum | WMF-T23-007-R010v02 | Published | 2009-08-01 | http://www.wimaxforum.org/sites/wimaxforum.org/files/technical_document/2009/07/WMF-T23-007-R010v02_MSP-IMT-2000.pdf |

5.6.2.1.2 Release 1.5

5.6.2.1.2.1 IEEE Std 802.16: Standard for Air Interface for Broadband Wireless Access Systems

This standard specifies the air interface, including the medium access control layer (MAC) and physical layer (PHY), of combined fixed and mobile point-to-multipoint broadband wireless access (BWA) systems providing multiple services. The MAC is structured to support multiple PHY specifications, each suited to a particular operational environment.

5.6.2.1.2.1.1 IEEE Std 802.16-2009

Standard for local and metropolitan area networks – Part 16: Air interface for broadband wireless access systems

This standard specifies the air interface, including the medium access control layer (MAC) and physical layer (PHY), of combined fixed and mobile point-to-multipoint broadband wireless access (BWA) systems providing multiple services. The MAC is structured to support multiple PHY specifications, each suited to a particular operational environment.

| SDO | Document No. | Status | Issued date | Location |
|------|----------------------|-----------|-------------|---|
| IEEE | IEEE Std 802.16-2009 | Published | 2009-05-29 | http://standards.ieee.org/getieee802/802.16.html |

5.6.2.1.2.1.2 IEEE Std 802.16j-2009

Multihop Relay Specification

This amendment updates and expands IEEE Std 802.16-2009, specifying physical layer and medium access control layer enhancements to IEEE Std 802.16 for licensed bands to enable the operation of relay stations. Subscriber station specifications are not changed.

| SDO | Document No. | Status | Issued date | Location |
|------|-----------------------|-----------|-------------|---|
| IEEE | IEEE Std 802.16j-2009 | Published | 2009-06-12 | http://standards.ieee.org/getieee802/802.16.html |

5.6.2.1.2.1.3 IEEE Std 802.16-2012

Standard for Air Interface for Broadband Wireless Access Systems

This standard specifies the air interface, including the medium access control layer (MAC) and physical layer (PHY), of combined fixed and mobile point-to-multipoint broadband wireless access (BWA) systems providing multiple services. The MAC is structured to support the WirelessMAN-SC, WirelessMAN-OFDM, and WirelessMAN-OFDMA PHY specifications, each suited to a particular operational environment.

| SDO | Document No. | Status | Issued date | Location |
|------|----------------------|----------|-------------|---|
| IEEE | IEEE Std 802.16-2012 | Approved | 2012-06-08 | http://ieee802.org/16/pubs/80216Rev3.html |

5.6.2.1.2.2 WiMAX Forum® Profile

The complete WiMAX Forum® Mobile System Profile, Release 1.5 is included in the following volumes.

5.6.2.1.2.2.1 WiMAX Forum® Mobile System Profile Specification: Release 1.5 – Common part

This specification describes the features of the WiMAX Forum® Mobile System Profile, Release 1.5. It includes the features common to both the TDD and FDD operational modes. It has the following table of contents:

1 Scope

| SDO | Document No. | Status | Issued date | Location |
|-------------|---------------------|-----------|-------------|---|
| WiMAX Forum | WMF-T23-001-R015v03 | Published | 2012-04-16 | http://www.wimaxforum.org/sites/wimaxforum.org/files/technical_document/2012/04/WMF-T23-001-R015v03_MSP-Common-Part.pdf |

2 References

| SDO | Document No. | Status | Issued date | Location |
|-------------|---------------------|-----------|-------------|---|
| WiMAX Forum | WMF-T23-001-R015v03 | Published | 2012-04-16 | http://www.wimaxforum.org/sites/wimaxforum.org/files/technical_document/2012/04/WMF-T23-001-R015v03_MSP-Common-Part.pdf |

3 Definitions

| SDO | Document No. | Status | Issued date | Location |
|-------------|---------------------|-----------|-------------|---|
| WiMAX Forum | WMF-T23-001-R015v03 | Published | 2012-04-16 | http://www.wimaxforum.org/sites/wimaxforum.org/files/technical_document/2012/04/WMF-T23-001-R015v03_MSP-Common-Part.pdf |

4 PHY profile

| SDO | Document No. | Status | Issued date | Location |
|-------------|---------------------|-----------|-------------|---|
| WiMAX Forum | WMF-T23-001-R015v03 | Published | 2012-04-16 | http://www.wimaxforum.org/sites/wimaxforum.org/files/technical_document/2012/04/WMF-T23-001-R015v03_MSP-Common-Part.pdf |

5 MAC profile

| SDO | Document No. | Status | Issued date | Location |
|-------------|---------------------|-----------|-------------|---|
| WiMAX Forum | WMF-T23-001-R015v03 | Published | 2012-04-16 | http://www.wimaxforum.org/sites/wimaxforum.org/files/technical_document/2012/04/WMF-T23-001-R015v03_MSP-Common-Part.pdf |

6 Security

| SDO | Document No. | Status | Issued date | Location |
|-------------|---------------------|-----------|-------------|---|
| WiMAX Forum | WMF-T23-001-R015v03 | Published | 2012-04-16 | http://www.wimaxforum.org/sites/wimaxforum.org/files/technical_document/2012/04/WMF-T23-001-R015v03_MSP-Common-Part.pdf |

5.6.2.1.2.2.2 WiMAX Forum® Mobile System Profile specification: Release 1.5 – TDD specific part

This specification describes the features of the WiMAX Forum® Mobile System Profile, Release 1.5. It includes the features specific to the TDD operational mode. The content refers to the physical layer.

| SDO | Document No. | Status | Issued date | Location |
|-------------|---------------------|-----------|-------------|---|
| WiMAX Forum | WMF-T23-002-R015v01 | Published | 2009-08-01 | http://www.wimaxforum.org/sites/wimaxforum.org/files/technical_document/2009/07/WMF-T23-002-R015v01_MSP-TDD.pdf |

5.6.2.1.2.2.3 WiMAX Forum® Mobile Radio Specification: Release 1.5

This specification describes the radio features of the WiMAX Forum® Mobile Radio Specification, Release 1.5.

| SDO | Document No. | Status | Issued date | Location |
|-------------|---------------------|-----------|-------------|---|
| WiMAX Forum | WMF-T23-005-R015v06 | Published | 2012-04-16 | http://www.wimaxforum.org/sites/wimaxforum.org/files/technical_document/2012/04/WMF-T23-005-R015v06_RSP.pdf |

5.6.2.1.3 Release 2

5.6.2.1.3.1 IEEE Std 802.16-2012

Standard for Air Interface for Broadband Wireless Access Systems

This standard specifies the air interface, including the medium access control layer (MAC) and physical layer (PHY), of combined fixed and mobile point-to-multipoint broadband wireless access (BWA) systems providing multiple services. The MAC is structured to support the WirelessMAN-SC, WirelessMAN-OFDM, and WirelessMAN-OFDMA PHY specifications, each suited to a particular operational environment.

| SDO | Document No. | Status | Issued date | Location |
|------|----------------------|----------|-------------|---|
| IEEE | IEEE Std 802.16-2012 | Approved | 2012-06-08 | http://iee802.org/16/pubs/80216Rev3.html |

5.6.2.1.3.1.1 IEEE Std 802.16p-2012

Standard for Air Interface for Broadband Wireless Access Systems — Amendment 1: Enhancements to Support Machine-to-Machine Applications

This amendment to IEEE Std 802.16-2012 specifies enhancements to provide improved support for machine-to-machine applications.

| SDO | Document No. | Status | Issued date | Location |
|------|-----------------------|----------|-------------|---|
| IEEE | IEEE Std 802.16p-2012 | Approved | 2012-08-30 | http://iee802.org/16/pubs/80216p.html |

5.6.2.1.3.1.2 IEEE Std 802.16n-2013

Standard for Air Interface for Broadband Wireless Access Systems — Amendment 2: Higher Reliability Networks

This amendment to IEEE Std 802.16-2012, as previously amended by IEEE Std 802.16p-2012, specifies enhancements to support higher reliability networks.

| SDO | Document No. | Status | Issued date | Location |
|------|-----------------------|----------|-------------|---|
| IEEE | IEEE Std 802.16n-2013 | Approved | 2013-03-06 | http://iee802.org/16/pubs/80216n.html |

5.6.2.1.3.2 IEEE Std 802.16.1-2012

Standard for WirelessMAN-Advanced Air Interface for Broadband Wireless Access Systems

This standard specifies the WirelessMAN-Advanced air interface, including the medium access control layer (MAC) and physical layer (PHY), of a broadband wireless access (BWA) system supporting multiple services. The WirelessMAN-Advanced air interface supports ITU's IMT-Advanced requirements.

| SDO | Document No. | Status | Issued date | Location |
|------|------------------------|----------|-------------|---|
| IEEE | IEEE Std 802.16.1-2012 | Approved | 2012-06-08 | http://iee802.org/16/pubs/802161.html |

5.6.2.1.3.2.1 IEEE Std 802.16.1b-2012

Standard for WirelessMAN-Advanced Air Interface for Broadband Wireless Access Systems – Amendment 1: Enhancements to Support Machine-to-Machine Applications

This amendment to IEEE Std 802.16.1-2012 specifies enhancements to provide improved support for machine-to-machine applications.

| SDO | Document No. | Status | Issued date | Location |
|------|-------------------------|----------|-------------|---|
| IEEE | IEEE Std 802.16.1b-2012 | Approved | 2012-08-30 | http://iee802.org/16/pubs/802161b.html |

5.6.2.1.3.2.2 IEEE Std 802.16.1a-2013

Standard for WirelessMAN-Advanced Air Interface for Broadband Wireless Access Systems – Amendment 2: Higher Reliability Networks

This amendment to IEEE Std 802.16.1-2012, as previously amended by IEEE Std 802.16.1b-2012, specifies enhancements to support higher reliability networks.

| SDO | Document No. | Status | Issued date | Location |
|------|-------------------------|----------|-------------|---|
| IEEE | IEEE Std 802.16.1a-2013 | Approved | 2013-03-06 | http://iee802.org/16/pubs/802161a.html |

5.6.2.1.3.3 WiMAX Forum® Profile

5.6.2.1.3.3.1 WiMAX Forum® Mobile System Profile – Release 2.0

This provides the complete WiMAX Forum® Mobile System Profile – Release 2.0

| SDO | Document No. | Status | Issued date | Location |
|-------------|---------------------|-----------|-------------|---|
| WiMAX Forum | WMF-T23-001-R020v02 | Published | 2012-04-16 | http://www.wimaxforum.org/sites/wimaxforum.org/files/technical_document/2012/04/WMF-T23-001-R020v02_MSP.pdf |

5.6.2.1.3.3.2 WiMAX Forum® Mobile Radio Specifications – Release 2.0

This provides the complete WiMAX Forum® Mobile Radio Specifications – Release 2.0

| SDO | Document No. | Status | Issued date | Location |
|-------------|---------------------|-----------|-------------|---|
| WiMAX Forum | WMF-T23-005-R020v01 | Published | 2012-05-18 | http://www.wimaxforum.org/sites/wimaxforum.org/files/technical_document/2012/05/WMF-T23-005-R020v01_RSP.pdf |

5.6.2.2 FDD component

The standards contained in this section are derived from the global core specifications for IMT2000 contained at <http://ties.itu.int/u/itu-r/ede/rsg5/IMT-2000/GCS/GCSrev12>. Only the specifications listed below are relevant to this Recommendation.

The following notes apply to the sections below, where indicated:

1. The relevant SDOs should make their reference material available from their website.
2. This information was supplied by the recognized external organizations and relates to their own deliverables of the transposed global core specification.

The entries in the Tables in the elements of § 5.6.2.2.x.2 that contain “Y” or interoperable options (IO-BF or IO-MIMO) are part of the detailed specifications for OFDMA TDD WMAN. The “N” entries in the Tables in the elements of § 5.6.2.2.x.2 are for information only and are not included in the OFDMA TDD WMAN specification. The specifications for OFDMA TDD WMAN are provided in the elements of § 5.6.2.2.x.1 that are specifically included in the corresponding elements of § 5.6.2.2.x.2. Anything in § 5.6.2.2.x.1 that is not mentioned in § 5.6.2.2.x.2 is excluded.

5.6.2.2.1 Release 1

(This section is intentionally left blank.)

5.6.2.2.2 Release 1.5

5.6.2.2.2.1 IEEE Std 802.16: Standard for local and metropolitan area networks – Air interface for broadband wireless access systems

This standard specifies the air interface, including the medium access control layer (MAC) and physical layer (PHY), of combined fixed and mobile point-to-multipoint broadband wireless access (BWA) systems providing multiple services. The MAC is structured to support multiple PHY specifications, each suited to a particular operational environment.

5.6.2.2.2.1.1 IEEE Std 802.16-2009

Standard for local and metropolitan area networks – Part 16: Air interface for broadband wireless access systems

This standard specifies the air interface, including the medium access control layer (MAC) and physical layer (PHY), of combined fixed and mobile point-to-multipoint broadband wireless access (BWA) systems providing multiple services. The MAC is structured to support multiple PHY specifications, each suited to a particular operational environment.

| SDO | Document No. | Status | Issued date | Location |
|------|----------------------|-----------|-------------|---|
| IEEE | IEEE Std 802.16-2009 | Published | 2009-05-29 | http://standards.ieee.org/getieee802/802.16.html |

5.6.2.2.2.1.2 IEEE Std 802.16j-2009

Multihop Relay Specification

This amendment updates and expands IEEE Std 802.16-2009, specifying physical layer and medium access control layer enhancements to IEEE Std 802.16 for licensed bands to enable the operation of relay stations. Subscriber station specifications are not changed.

| SDO | Document No. | Status | Issued date | Location |
|------|-----------------------|-----------|-------------|---|
| IEEE | IEEE Std 802.16j-2009 | Published | 2009-06-12 | http://standards.ieee.org/getieee802/802.16.html |

5.6.2.2.2.1.3 IEEE Std 802.16-2012

Standard for Air Interface for Broadband Wireless Access Systems

This standard specifies the air interface, including the medium access control layer (MAC) and physical layer (PHY), of combined fixed and mobile point-to-multipoint broadband wireless access (BWA) systems providing multiple services. The MAC is structured to support the WirelessMAN-SC, WirelessMAN-OFDM, and WirelessMAN-OFDMA PHY specifications, each suited to a particular operational environment.

| SDO | Document No. | Status | Issued date | Location |
|------|----------------------|----------|-------------|---|
| IEEE | IEEE Std 802.16-2012 | Approved | 2012-06-08 | http://ieee802.org/16/pubs/80216Rev3.html |

5.6.2.2.2.2 WiMAX Forum® Profile

The complete WiMAX Forum® Mobile System Profile, Release 1.5 is included in the following volumes.

5.6.2.2.2.2.1 WiMAX Forum® Mobile System Profile specification: Release 1.5 – Common part

This specification describes the features of the WiMAX Forum® Mobile System Profile, Release 1.5. It includes the features common to both the TDD and FDD operational modes. It has the following table of contents:

1 Scope

| SDO | Document No. | Status | Issued date | Location |
|-------------|---------------------|-----------|-------------|---|
| WiMAX Forum | WMF-T23-001-R015v03 | Published | 2012-04-16 | http://www.wimaxforum.org/sites/wimaxforum.org/files/technical_document/2012/04/WMF-T23-001-R015v03_MSP-Common-Part.pdf |

2 References

| SDO | Document No. | Status | Issued date | Location |
|-------------|---------------------|-----------|-------------|---|
| WiMAX Forum | WMF-T23-001-R015v03 | Published | 2012-04-16 | http://www.wimaxforum.org/sites/wimaxforum.org/files/technical_document/2012/04/WMF-T23-001-R015v03_MSP-Common-Part.pdf |

3 Definitions

| SDO | Document No. | Status | Issued date | Location |
|-------------|---------------------|-----------|-------------|---|
| WiMAX Forum | WMF-T23-001-R015v03 | Published | 2012-04-16 | http://www.wimaxforum.org/sites/wimaxforum.org/files/technical_document/2012/04/WMF-T23-001-R015v03_MSP-Common-Part.pdf |

4 PHY profile

| SDO | Document No. | Status | Issued date | Location |
|-------------|---------------------|-----------|-------------|---|
| WiMAX Forum | WMF-T23-001-R015v03 | Published | 2012-04-16 | http://www.wimaxforum.org/sites/wimaxforum.org/files/technical_document/2012/04/WMF-T23-001-R015v03_MSP-Common-Part.pdf |

5 MAC profile

| SDO | Document No. | Status | Issued date | Location |
|-------------|---------------------|-----------|-------------|---|
| WiMAX Forum | WMF-T23-001-R015v03 | Published | 2012-04-16 | http://www.wimaxforum.org/sites/wimaxforum.org/files/technical_document/2012/04/WMF-T23-001-R015v03_MSP-Common-Part.pdf |

6 Security

| SDO | Document No. | Status | Issued date | Location |
|-------------|---------------------|-----------|-------------|---|
| WiMAX Forum | WMF-T23-001-R015v03 | Published | 2012-04-16 | http://www.wimaxforum.org/sites/wimaxforum.org/files/technical_document/2012/04/WMF-T23-001-R015v03_MSP-Common-Part.pdf |

5.6.2.2.2.2 WiMAX Forum® Mobile System Profile specification: Release 1.5 – FDD specific part

This specification describes the features of the WiMAX Forum® Mobile System Profile, Release 1.5. It includes the features specific to the FDD operational mode. The content refers to the physical and the MAC layers.

| SDO | Document No. | Status | Issued date | Location |
|-------------|---------------------|-----------|-------------|---|
| WiMAX Forum | WMF-T23-003-R015v01 | Published | 2009-08-01 | http://www.wimaxforum.org/sites/wimaxforum.org/files/technical_document/2009/07/WMF-T23-003-R015v01_MSP-FDD.pdf |

5.6.2.2.2.3 WiMAX Forum® Mobile Radio Specification: Release 1.5

This specification describes the radio features of the WiMAX Forum® Mobile Radio Specification, Release 1.5.

| SDO | Document No. | Status | Issued date | Location |
|-------------|---------------------|-----------|-------------|---|
| WiMAX Forum | WMF-T23-005-R015v06 | Published | 2012-04-16 | http://www.wimaxforum.org/sites/wimaxforum.org/files/technical_document/2012/04/WMF-T23-005-R015v06_RSP.pdf |

5.6.2.2.3 Release 2

5.6.2.2.3.1 IEEE Std 802.16-2012

Standard for Air Interface for Broadband Wireless Access Systems

This standard specifies the air interface, including the medium access control layer (MAC) and physical layer (PHY), of combined fixed and mobile point-to-multipoint broadband wireless access (BWA) systems providing multiple services. The MAC is structured to support the WirelessMAN-SC, WirelessMAN-OFDM, and WirelessMAN-OFDMA PHY specifications, each suited to a particular operational environment.

| SDO | Document No. | Status | Issued date | Location |
|------|----------------------|----------|-------------|---|
| IEEE | IEEE Std 802.16-2012 | Approved | 2012-06-08 | http://ieee802.org/16/pubs/80216Rev3.html |

5.6.2.2.3.1.1 IEEE Std 802.16p-2012

Standard for Air Interface for Broadband Wireless Access Systems – Amendment 1: Enhancements to Support Machine-to-Machine Applications

This amendment to IEEE Std 802.16-2012 specifies enhancements to provide improved support for machine-to-machine applications.

| SDO | Document No. | Status | Issued date | Location |
|------|-----------------------|----------|-------------|---|
| IEEE | IEEE Std 802.16p-2012 | Approved | 2012-08-30 | http://iee802.org/16/pubs/80216p.html |

5.6.2.2.3.1.2 IEEE Std 802.16n-2013

Standard for Air Interface for Broadband Wireless Access Systems – Amendment 2: Higher Reliability Networks

This amendment to IEEE Std 802.16-2012, as previously amended by IEEE Std 802.16p-2012, specifies enhancements to support higher reliability networks.

| SDO | Document No. | Status | Issued date | Location |
|------|-----------------------|----------|-------------|---|
| IEEE | IEEE Std 802.16n-2013 | Approved | 2013-03-06 | http://iee802.org/16/pubs/80216n.html |

5.6.2.2.3.2 IEEE Std 802.16.1-2012

Standard for WirelessMAN-Advanced Air Interface for Broadband Wireless Access Systems

This standard specifies the WirelessMAN-Advanced air interface, including the medium access control layer (MAC) and physical layer (PHY), of a broadband wireless access (BWA) system supporting multiple services. The WirelessMAN-Advanced air interface supports ITU's IMTAdvanced requirements.

| SDO | Document No. | Status | Issued date | Location |
|------|------------------------|----------|-------------|---|
| IEEE | IEEE Std 802.16.1-2012 | Approved | 2012-06-08 | http://iee802.org/16/pubs/802161.html |

5.6.2.2.3.2.1 IEEE Std 802.16.1b-2012

Standard for WirelessMAN-Advanced Air Interface for Broadband Wireless Access Systems – Amendment 1: Enhancements to Support Machine-to-Machine Applications

This amendment to IEEE Std 802.16.1-2012 specifies enhancements to provide improved support for machine-to-machine applications.

| SDO | Document No. | Status | Issued date | Location |
|------|-------------------------|----------|-------------|---|
| IEEE | IEEE Std 802.16.1b-2012 | Approved | 2012-08-30 | http://iee802.org/16/pubs/802161b.html |

5.6.2.2.3.2.2 IEEE Std 802.16.1a-2013

Standard for WirelessMAN-Advanced Air Interface for Broadband Wireless Access Systems – Amendment 2: Higher Reliability Networks

This amendment to IEEE Std 802.16.1-2012, as previously amended by IEEE Std 802.16.1b-2012, specifies enhancements to support higher reliability networks.

| SDO | Document No. | Status | Issued date | Location |
|------|-------------------------|----------|-------------|---|
| IEEE | IEEE Std 802.16.1a-2013 | Approved | 2013-03-06 | http://iee802.org/16/pubs/802161a.html |

5.6.2.2.3.3 WiMAX Forum® Profile

5.6.2.2.3.3.1 WiMAX Forum® Mobile System Profile – Release 2.0

This provides the complete WiMAX Forum® Mobile System Profile – Release 2.0

| SDO | Document No. | Status | Issued date | Location |
|-------------|---------------------|-----------|-------------|---|
| WiMAX Forum | WMF-T23-001-R020v02 | Published | 2012-04-16 | http://www.wimaxforum.org/sites/wimaxforum.org/files/technical_document/2012/04/WMF-T23-001-R020v02_MSP.pdf |

5.6.2.2.3.3.2 WiMAX Forum® Mobile Radio Specifications – Release 2.0

| SDO | Document No. | Status | Issued date | Location |
|-------------|---------------------|-----------|-------------|---|
| WiMAX Forum | WMF-T23-005-R020v01 | Published | 2012-05-18 | http://www.wimaxforum.org/sites/wimaxforum.org/files/technical_document/2012/05/WMF-T23-005-R020v01_RSP.pdf |

6 Recommendations on unwanted emission limits

6.1 Terrestrial radio interfaces

The information on emissions limits is recommended in Recommendation ITU-R M.1581 – Generic unwanted emission characteristics of mobile stations using the terrestrial radio interfaces of IMT-2000, and in Recommendation ITU-R M.1580 – Generic unwanted emission characteristics of base stations using the terrestrial radio interfaces of IMT-2000.

ANNEX 1

Abbreviations

| | |
|-----------|---|
| AES | Advanced encryption standard |
| ARQ | Automatic repeat request |
| BCMCS | Broadcast multicast services |
| BE | Best-effort |
| BMC | Broadcast/multicast control |
| BS | Base station |
| BWA | Broadband wireless access |
| CCM | Cipher block chaining message authentication code |
| CDMA | Code division multiple access |
| CID | Connection identifier |
| CN | Core network |
| CP | Cyclic prefix |
| CS | Convergence sub-layer |
| DECT | Digital Enhanced Cordless Telecommunications |
| DL | Downlink |
| DLC | Data link control layer |
| DL_MAP | Downlink map |
| DPRS | DECT packet radio service |
| DRC | Data rate control |
| DS-CDMA | Direct Spread CDMA |
| E-UTRAN | Evolved UTRAN |
| EAP | Extensible authentication protocol |
| EDGE | Enhanced data rates for GSM evolution |
| EDGE/GPRS | (EGPRS2) – EDGE evolution – Evolved enhanced data rates for GSM evolution |
| ErtPS | Extended real-time packet service |
| FBSS | Fast base station switching |
| FCH | Frame control header |
| FDD | Frequency division duplex |
| FDMA | Frequency division multiple access |
| FEC | Forward error correction |
| FER | Frame error ratio |
| FFT | Fast Fourier Transform |
| FLO | Flexible layer one |
| GERAN | GSM/EDGE radio access network |
| H-ARQ | Hybrid – ARQ |

| | |
|---------|---|
| HHO | Hard handover |
| HRPD | High rate packet data |
| HSDPA | High-speed downlink packet access |
| IEEE | Institute of Electrical and Electronics Engineers |
| IMS | IP multimedia subsystems |
| IWU | Inter-working unit |
| LAC | Link access control |
| LDPC | Low density parity check code |
| LLC | Logical link control layer |
| MAC | Medium access control |
| MAC CPS | Common part sub-layer |
| MBMS | Multimedia broadcast/multicast service |
| MC | Multi-carrier |
| MDHO | Macro diversity handover |
| MEID | Mobile equipment identifier |
| MIMO | Multiple-input/multiple-output |
| MM | Mobility management |
| nrtPS | Non-real-time packet service |
| OFDM | Orthogonal frequency-division multiplexing |
| OFDMA | Orthogonal frequency-division multiple access |
| PDCP | Packet data convergence protocol |
| PDU | Protocol data unit |
| PHS | Payload header suppression |
| PHY | Physical layer |
| QoS | Quality of Service |
| RLC | Radio link control |
| RNC | Radio network controller |
| RNS | Radio network sub-systems |
| RRC | Radio resource control |
| RRI | Reverse rate indicator |
| RTG | Receive/transmit transition gap |
| rtPS | Real-time packet service |
| R-UIM | Removable UIM |
| SA | Security association |
| SAP | Service access points |
| SC | Single-carrier |
| SDO(s) | Standards development organization(s) |
| SDU | Service data unit |
| SIR | Signal-to-interference ratio |

| | |
|---------|---------------------------------------|
| SIM | Subscriber identity module |
| SMS | Short message service |
| SS | Subscriber station |
| TEK | Traffic encryption key |
| TDD | Time division duplex |
| TDMA | Time division multiple access |
| TPC | Transmit power control |
| TTG | Transmit/receive transition gap |
| TTI | Transmission time interval |
| UE | User equipment |
| UGS | Unsolicited grant service |
| UL | Uplink |
| UL_MAP | Uplink map |
| U-Plane | User plane |
| USIM | Universal SIM |
| UTRA | Universal Terrestrial Radio Access |
| UTRAN | UMTS terrestrial radio access network |
| WCDMA | Wideband CDMA |
| WMAN | Wireless metropolitan area network |
